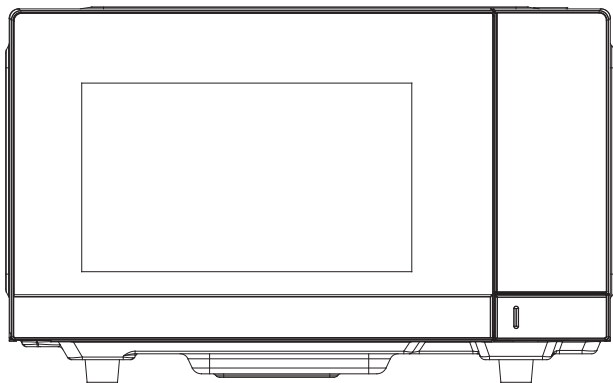


Hisense

User and Installation Manual Microwave Oven



**Model: HMBS3010PFG
HMBS3010BMFG
HMBS3010SSF
HMBS3010DSFG**

Before installing or using the appliance, please read the manual carefully, and keep it for future reference.

Table of Contents

PRECAUTIONS TO AVOID POSSIBLE EXPOSURE TO EXCESSIVE MICROWAVE ENERGY	4
IMPORTANT SAFETY INSTRUCTIONS	5
INSTALLATION	7
CLEANING INSTRUCTIONS	8
SETTING UP YOUR OVEN	10
CONTROL PANEL	12
OPERATION INSTRUCTIONS	13
UTENSILS GUIDELINE	22
COOKING TIPS	23
MAINTENANCE INSTRUCTIONS	24

PRECAUTIONS TO AVOID POSSIBLE EXPOSURE TO EXCESSIVE MICROWAVE ENERGY

- (a) Do not attempt to operate this oven with the door open since open door operation can result in harmful exposure to microwave energy.
It is important not to defeat or tamper with the safety interlocks.
- (b) Do not place any object between the oven front face and the door or allows soil or cleaner residue to accumulate on sealing surfaces.
- (c) Do not operate the oven if it is damaged. It is particularly important that the oven door close properly and that there is no damage to the:
 - (1) DOOR (bent)
 - (2) HINGES AND LATCHES (broken or loosened)
 - (3) DOOR SEALS AND SEALING SURFACES
- (d) The oven should not be adjusted or repaired by anyone except properly qualified service personnel.

Product Specification

Model Number	HMBS3010PFG HMBS3010BMFG HMBS3010SSFG HMBS3010DSFG
Rate Voltage	220-240~ 50Hz
Power Consumption (Microwave)	1500W
Rated Microwave Power Output	1000W
Grill Output Power	1200W
Operating Frequency	2450MHz
Oven Capacity	30L

IMPORTANT SAFETY INSTRUCTIONS

WARNING: If the door or door seals are damaged, the oven must not be operated until it has been repaired by a trained person.

WARNING: It is hazardous for anyone other than a trained person to carry out any service or repair operation, which involves the removal of any cover, which gives protection against exposure to microwave energy. **WARNING:** Liquids or other food must not be heated in sealed containers since they are liable to explode.

1. Only use utensils that are suitable for use in microwave ovens.
2. Metallic containers for food and beverages are not allowed during microwave cooking.
3. When heating food in plastic or paper containers, keep an eye on the oven due to the possibility of ignition.
4. The microwave oven is intended for heating food and beverages. Drying of food or clothing and heating of warming pads, slippers, sponges, damp cloth and similar may lead to risk of injury, ignition or fire.
5. If smoke is observed, switch off or unplug the appliance and keep the door closed in order to stifle any flames microwave heating of beverages can result in delayed eruptive boiling, therefore care has to be taken when handling the container.
6. The contents of feeding bottles and baby food jars are to be stirred or shaken and the temperature is to be checked before consumption, in order to avoid burns.
7. Eggs in their shell and whole hard-boiled eggs shall not be heated in microwave ovens since they may explode, even after microwave heating has ended.
8. Failure to maintain the oven in a clean condition could lead to deterioration of the surface that could adversely affect the life of the appliance and possibly result in a hazardous situation.
9. The appliance must not be placed in a cabinet.
10. Care should be taken not to displace the turntable when removing containers from the appliance.
11. The appliance shall not be cleaned with a steam cleaner.

Warning: When the appliance is operated in the combination mode, children should only use the oven under adult supervision due to the temperatures generated.



CAUTION: HOT SURFACE

12. If the supply cord is damaged, it must be replaced by the manufacturer or its service agent or a similarly qualified person in order to avoid a hazard.
13. This appliance can be used by children aged from 8 years and above and persons with reduced physical, sensory or mental capabilities or lack of experience and knowledge if they have been given supervision or instruction concerning use of the appliance in a safe way and understand the hazards involved.
14. Children shall not play with the appliance.
15. Cleaning and user maintenance shall not be made by children without supervision.
16. Do not directly put the glass plate into cold water after use. It needs to place the glass plate for at least 20 minutes, and then put it into the water to avoid cracking.
17. This appliance is intended to be used in household and similar applications such as:
 - staff kitchen areas in shops, offices and others working environments;
 - farm houses;
 - by clients in hotels, motels and other residential type environments;
 - bed and breakfast type environments. The appliances are not intended to be operated by means of an external timer or separate remote-control system.
18. Group 2 Class B appliance
Group 2 ISM equipment: group 2 contains all ISM equipment in which radio-frequency energy is intentionally generated and/or used in the form of electromagnetic radiation for the treatment of material, and EDM and arc welding equipment.
Class B equipment is equipment suitable for use in domestic

establishments and in establishments directly connected to a low voltage power supply network which supplies buildings used for domestic purposes.

19. This product internal light source LED light on < 60lm.
20. After plug in or the appliance end the work, the product automatically falls into standby mode, and the product indicates the information of time standby power<0.8W.

INSTALLATION

1. Take out all the packing. If there is a safe film over the oven, tear it off before use. Check carefully for damage. If any, immediately notify dealer or send to the manufacturer's service center.
2. Microwave ovens must be placed under dry and non-corrosiveness environments, kept away from heat and humidity, such as gas burner or water tank.
3. To ensure sufficient ventilation, the distance of the back of microwave to the wall should be at least 20 cm, the side to the wall should be at least 5 cm, the free distance above the top surface at least 20 cm. the distance of the microwave to the ground should be at least 85 cm.
4. The position of the oven shall be such that it is far from the TV, Radio or antenna as picture disturbance, or noise may occur. The distance should be more than 5m.
5. The appliance must be positioned so that the plug is accessible, and must ensure a good grounding in case leakage, ground loop can be formed to avoid electric shock.appliance must
6. The microwave oven must be operated with the door closed.
7. The microwave oven must not be placed in a cabinet. The microwave oven is intended to be used freestanding.
8. As there is manufacturing residue or oil remained on the oven cavity or heat element, it usually would smell the odor, even a slight smoke, It is normal case and would not occur after several times use, keep the door or window open to ensure

good ventilation. So it is strongly recommended to place a cup of water in the cavity, setting at high power and operate for several times.

CLEANING INSTRUCTIONS

MICROWAVE OVEN CARE

CAUTION

The oven should be cleaned regularly and any food deposits removed.

WARNING

- a. Remove the power cord from the wall outlet before cleaning. After cooling products. Don't immerse the appliance in water or other fluids when cleaning.
- b. Failure to maintain the oven in a clean condition could lead to deterioration of the surface that could adversely affect the life of the appliance and possibly result in a hazardous situation.
- c. Never use hard detergent, gasoline, abrasive powder or metal brush to clean any part of the appliance.
- d. Do not remove the waveguide cover.
- e. When the microwave oven has been used for a long time, there may be some strange odors exist in oven, following 3 methods can get rid of them:
 - 1) Place several lemon slices in a cup, then heat with high micro power for 2-3 min.
 - 2) Place a cup of red tea in oven, then heat with high micro power.
 - 3) Put some orange peel into oven, and then heat them with high micro power for 1 minute.
- f. When the product is not used, it should be placed in dry and ventilated areas as well as possible.

WARNING

Details how to clean surfaces in contact with food:

After use wipe the waveguide cover with a damp cloth, followed by dry cloth to remove any food splashes and grease. Built-up grease may overheat and begin to cause smoke or catch fire.

TIPS FOR CLEANING

Details for cleaning door seals, cavity and adjacent parts:

Exterior:

Wipe the enclosure with a dampened soft cloth.

Door:

Using a dampened soft cloth, wipe clean the door and window.

Wipe the door seals and adjacent parts to remove any spill or spatter.

Wipe the control panel with a slightly dampened soft cloth.

Interior walls:

Wipe clean the interior surfaces with a dampened soft cloth.

Wipe clean the waveguide cover to remove any food splashed.

Turntable / Rotation ring / Rotation axis:

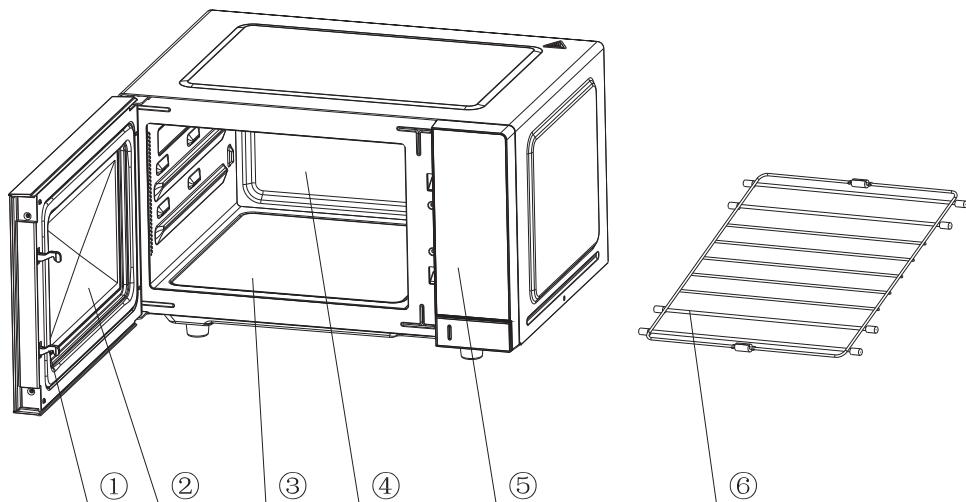
Wash with mild soap water.

Rinse with clean water and allow drying thoroughly.

SETTING UP YOUR OVEN

Names of Oven Parts and Accessories

Remove the oven and all materials from the carton and oven cavity.
Your oven comes with the following accessories:



- 1) Door lock
- 2) Plastic door decorate piece
- 3) Flatbed plate
- 4) Cavity
- 5) Control panel
- 6) Grill Rack

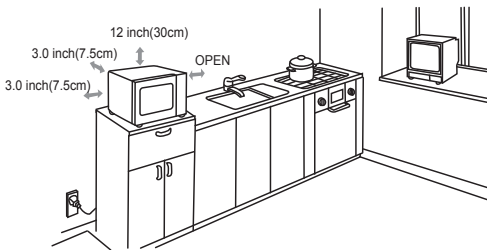
Countertop Installation

Remove all packing material and accessories. Examine the oven for any damage such as dents or broken door. Do not install if oven is damaged.

Cabinet: Remove any protective film found on the microwave oven cabinet surface. Do not remove the light brown Mica cover that is attached to the oven cavity to protect the magnetron.

Installation

1. Select a level surface that provide enough open space for the intake and/or outlet vents.



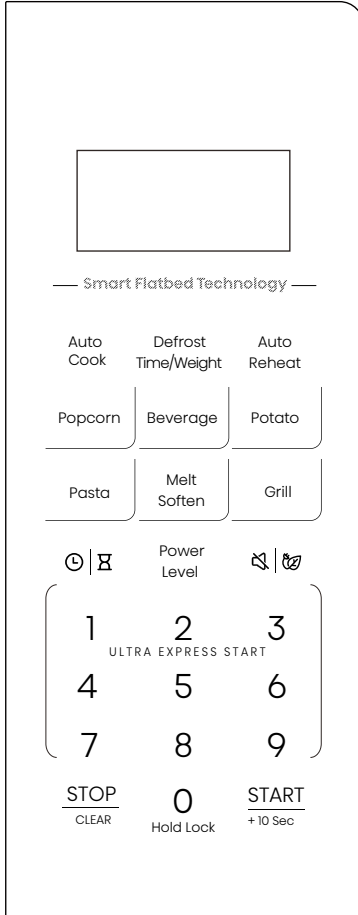
A minimum clearance of 3.0 inches (7.5cm) is required between the oven and any adjacent walls. One side must be open.

- (1) Leave a minimum clearance of 12 inches (30cm) above the oven.
- (2) Do not remove the legs from the bottom of the oven.

- (3) Blocking the intake and/or outlet openings can damage the oven.
 - (4) Place the oven as far away from radios and TV as possible. Operation of microwave oven may cause interference to your radio or TV reception.
2. Plug your oven into a standard household outlet. Be sure the voltage and the frequency is the same as the voltage and the frequency on the rating label.

WARNING: Do not install oven over a range cooktop or other heat-producing appliance. If installed near or over a heat source, the oven could be damaged and the warranty would be void.

Control Panel



OPERATION INSTRUCTIONS

1. BEFORE COOKING

The display lights up when plugged in power supply, then enter the standby state and display shows 1:00.

2. MICROWAVE FUNCTION

There are ten microwave power levels, 100P, 90P, 80P, 70P, 60P, 50P, 40P, 30P, 20P and 10P, respectively. Press the **"Power Level"** button to enter the microwave power mode selection, then press the number buttons to set the microwave power. Press the **"START/+10S"** button to confirm the microwave power and enter the cooking time setting, press the number buttons to set the cooking time, the maximum time that can be input is 99:99. After entering the cooking time, press the **"START/+10S"** button to start work. An buzzing sound to notify completion of the operation.

HIGH	100% and 90% power output	(Applicable for quick and thorough cooking)
M.High	80% and 70% power output	(Applicable for medium express cooking)
Med	60% and 50% power output	(Applicable for steaming food)
M.Low	40% and 30% power output	(Applicable for defrosting food)
LOW	20% and 10% power output	(Applicable for keeping warm)

CAUTION

- The max time which can be set is 99 minutes and 99 seconds.
- Never use the grill rack during microwave cooking.

- c. Never operate the oven empty.
- d. At the maximum microwave power, the oven will automatically lower the power after a certain time of cooking to lengthen the service life.
- e. If you turn the food during operation, press the **START/+10S** button once and the preset cooking procedure will continue.
- f. If you intend to remove the food before the preset time, you must press **STOP/CLEAR** button once to clear the preset procedure to avoid unintended operation of next time use.

3. DEFROST

There are four defrost modes, time defrost, dEF-1, dEF-2 and dEF-3, respectively. Press this button to select desired defrost mode, after selecting to defrost by time, press the number buttons to set the defrosting time. The maximum time that can be entered is 99:99. Alternatively, after selecting dEF1, dEF2, or dEF3 for defrosting, press the "START/+10S" button to confirm, then press the number buttons to set the defrosting weight within the range of 100-1500g. After selecting the cooking weight or time, press the "START/+10S" button start to work. An buzzing sound to notify completion of the operation. The dEF1, dEF-2 and dEF-3 defrost mode by weight will have beeping sound to prompt the food to be turned over during defrosting.

Below is some food defrosting time advice:

dEF1	For defrosting, the weight range from 100 to 1500g.
dEF2	
dEF3	

Time defrost	For defrosting, the maximum time is 99:99.
--------------	--

CAUTION

- It is necessary to turn over the food during operation to obtain uniform effect.
- Usually defrosting will need longer time than that of cooking the food.
- If the food can be cut by knife, the defrosting process can be considered completed.
- Microwave penetrates around 4cm into most food
- Defrosted food should be consumed as soon as possible, it is not advised to put back to fridge and freeze again.

4. MENU

There are four menu buttons, popcorn, beverage, potato, and pasta respectively, press the desired menu button, and press the corresponding menu button continuously or number buttons to select the portion size of the food, and the display screen will show the corresponding portion size. After selecting the cooking weight, press "START/+10S" button to start work. An buzzing sound to notify completion of the operation.

Display	Kind	Method
A.1	Popcorn	The optional weight is 100g.
A.2	Beverage	The optional portion sizes---1cup, 2 cups or 3cups, each one about 250ml.
A.3	Potato	The optional weights are 250g, 500g and 750g.
A.4	Pasta	The optional weights are 50g, 100g and 150g.

CAUTION

- a. The temperature of food before cooking would be 20-25°C. Higher or lower temperature of the food before cooking would require increase or decrease of cooking time.
- b. The temperature, weight and shape of food will largely influence the cooking effect. If any deviation has been found to the factor noted on above menu, you can adjust the cooking time for best result.

5. Grill FUNCTION

There are three modes of Grill: G., C-1 and C-2. They are grill, combination 1 of grill and microwave cooking and combination 2 of grill and microwave cooking. Press the "Grill" button continuously, select the desired mode and the display screen corresponding displays "G.", "C-1" or "C-2". Press the number buttons to input the cooking time, the maximum time that can be entered is 99:99. After entering the cooking time, press the "START/+10S" button to start the work. An buzzing sound to notify completion of the operation.

G.	Grill, the heat element will be energized during operation time. Which is applicable for rolling thin meats or pork, sausage, chicken wing as good brown color can be obtained
C-1	Combination of grill and microwave cooking. 30% microwave and 70% grill.
C-2	Combination of grill and microwave cooking. 55% microwave and 45% grill.

CAUTION

In the mode of grill, all of the oven parts, as well as the rack and cooking containers, may become very hot. Use caution when removing any item from the oven. Use heavy potholders or oven mitts to PREVENT BURNS.

6. CLOCK/TIMER

6.1 CLOCK

The clock is 24-hour system. The operation of the clock function is as follows:

In standby mode, press and hold down this button for 3 seconds to enter the clock setting interface, press this button to select the 24-hour or 12-hour system, Pressing 0~9 number buttons to input cooking time directly, and press the "START/+10S" button to confirm the specified time and exit the clock setting mode.

6.2 TIMER

In standby mode, press this button to enter the setting interface, and the countdown function icon and "0:00" will be displayed on the display screen. Press the number buttons to input the time. The maximum time that can be input is 99:99. After setting the time, press the "**START/+10S**" button to begins the countdown. An buzzing sound to notify completion of the countdown.

7. AUTO REHEAT

There are six automatic reheat menus, press this button to select

the desired menu, and the display screen will show the corresponding menu number. Press the **"START/+10S"** button to confirm the menu and proceed to the next step of portion selection. Press the number buttons to select the portion size of the food, and the display screen will show the corresponding portion size. After selecting the cooking weight, press **"START/+10S"** button to start work. An buzzing sound to notify completion of the operation.

Display	Kind	Method
AH-1	Bread	The optional weights are 50g, 100g, 150g and 200g.
AH-2	Pizza	The optional weights are 200g, 300g, 400g and 500g.
AH-3	Rice	The optional weights are 1bowl, 2 bowls or 3bowls.
AH-4	Curries	The optional weights are 200g, 300g, 400g and 500g.
AH-5	Soup	The optional weights are 1bowl, 2 bowls or 3bowls.
AH-6	Casserole	The optional weights are 1bowl, 2 bowls or 3bowls.

8. AUTO COOKING

There are ten automatic menus, press this button to select the desired menu, and the display screen will show the corresponding menu number. Press the **"START/+10S"** button to confirm the menu and proceed to the next step of portion selection. Press the number buttons to select the portion size of the food, and the

display screen will show the corresponding portion size. After selecting the cooking weight, press "**START/+10S**" button to start work. An buzzing sound to notify completion of the operation.

Display	Kind	Method
AC-1	Meat Pie	The optional weights are 1pcs, 2pcs and 3pcs.
AC-2	Frozen Entrée	The optional weights are 200g, 300g, 400g and 500g.
AC-3	Risotto	The optional weights are 100g, 200g, 300g and 400g.
AC-4	Instant Noodle	The optional weights are 1pcs and 2pcs.
AC-5	Porridge	The optional weights are 50g, 100g and 150g.
AC-6	legumes	The optional weights are 100g, 200g, 300g and 400g.
AC-7	Beef Lasagne	The optional weight is one portion.
AC-8	Fish Filet	The optional weights are 200g, 300g, 400g and 500g.
AC-9	QUINOA	The optional weights are 50g, 100g, 150g and 200g.
AC10	Frozen Veggies	The optional weights are 200g, 400g and 600g.

9. MELT/SOFTEN

Press this button to select the desired menu, and the display screen will show the corresponding menu number. Press the "START/+10S" button to confirm the menu and proceed to the next step of portion selection.

Press the number buttons to select the portion size of the food, and the display screen will show the corresponding portion size. After selecting the cooking weight, press "START/+10S" button to start work. An buzzing sound to notify completion of the operation.

Display	Kind	Method
So-1	Chocolate	The optional weights are 100g, 200g, 300g and 400g.
So-2	Butter	The optional weights are 100g, 200g, 300g and 400g.
So-3	Cream Cheese	The optional weights are 100g, 200g, 300g and 400g.
So-4	Ice cream	The optional weights are 100g, 200g, 300g and 400g.

10. MUTE/ECO

10.1 MUTE

In standby mode, press this button to enter the sound on/off selection and the display screen will show the corresponding **ON/OFF** information. After selecting the state of turning on or off the sound, it will automatically exit the selection after 3 seconds, and the buzzer sound will be turned on or off according to the corresponding settings.

10.2 ECO

In standby mode, press and hold down the button to start ECO

mode, and the display screen will turn off. When the display screen is turned off, press any button to turn on the display screen. If there is no operation for 30 seconds in standby mode, the display screen will automatically turn off. In standby mode, after starting ECO mode, press and hold down the button to turn off ECO mode, and the screen will display normally.

11. EXPRESS COOK

11.1 In standby mode, you can directly press the 1~9 number buttons to start the microwave oven. The working time is 1~9 minutes, that is, press 1 to work for 1 minute, press 2 to work for 2 minutes, and so on.

11.2 In standby mode, after putting food in and closing the door, press the “START/+10S” button to start the microwave quickly. The default working time is 10 seconds. In the working process, press the “START/+10S” button once for 10 seconds. An buzzing sound to notify completion of the operation.

12. STOP

In the process of cooking settings, can press “STOP” button to cancel the settings and return to standby state. In the process of microwave oven working, can press “STOP” button to pause. In the paused state, can press “STOP” button again to cancel the function and return to standby state.

13. CHILD LOCK FUNCTION

Use this feature to lock the control panel when you are cleaning or so that children cannot use the oven unsupervised. All the buttons are rendered inoperable in this mode.

- 1) Set lock: In standby mode, press and hold down the "0" button for more than 3 seconds, the child lock function is activated, and all buttons of the microwave oven can not be operated.
- 2) Cancel lock: In the child lock state, press and hold down the "0" button for more than 3 seconds to cancel the child lock function.

UTENSILS GUIDELINE

It is strongly recommended to use the containers which are suitable and safe for microwave cooking. Generally speaking, the containers which are made of heat-resistant ceramic, glass or plastic are suitable for microwave cooking. Never use the metal containers for microwave cooking and combination cooking as spark is likely to occur. You can take the reference of below table.

Material of container	Microwave	Grill	Combi	Notes
Heat-resistant ceramic	Yes	Yes	Yes	Never use the ceramics which are decorated with metal rim or glazed
Heat-resistant plastic	Yes	No	No	Can not be used for long time microwave cooking
Heat-resistant glass	Yes	Yes	Yes	
Plastic film	Yes	No	No	It should not be used when cooking meat or chops as the over-temperature may do damage to the film
Grill rack	No	Yes	Yes	The grill rack can be used in grill and combination mode.

Metal container	No	No	No	It should not be used in microwave oven. Microwave can not penetrate through metal.
lacquer	No	No	No	Poor heat-resistant. Can not be used for High-temperature cooking
Bamboo wood and paper	No	No	No	Poor heat-resistant. Can not be used for High-temperature cooking

COOKING TIPS

The following factors may affect the cooking result:

Food arrangement

Place thicker areas towards outside of dish, the thinner part towards the centre and spread it evenly. Do not overlap if possible.

Cooking time length

Start cooking with a short time setting, evaluate it after it times out and extend it according to the actual need. Over cooking may result in smoke and burns.

Cooking food evenly

Food such as chicken, hamburger or steak should be turned once during cooking.

Depending on the type of food, if applicable, stir it from outside to centre of dish once or twice during cooking.

Allow standing time

After cooking times out, leave the food in the oven for an adequate length of time, this allows it to complete its cooking cycle and cooling it down in a gradual manner.

Whether the food is done

Color and hardness of food help to determine if it is done, these include:

- Steam coming out from all parts of food, not just the edge.
- Joints of poultry can be moved easily.
- Pork or poultry shows no signs of blood.
- Fish is opaque and can be sliced easily with a fork.

Browning dish

When using a browning dish or self-heating container, always place a heat-resistant insulator such as a porcelain plate under it to prevent damage to the turntable and rotating ring.

Microwave safe plastic wrap

When cooking food with high fat content, do not allow the plastic wrap come into contact with food as it may melt.

Microwave safe plastic cookware

Some microwave safe plastic cookware might not be suitable for cooking foods with high fat and sugar content. Also, the preheating time specified in the dish instruction manual must not be exceeded.

MAINTENANCE INSTRUCTIONS

SERVICING

Please check the following before calling for services.

1. Place one cup of water (approx.150ml) in a glass measure in the oven and close the door securely. Oven lamp should go off if the door is closed properly. Let the oven work for 1 min.

2. Does the oven lamp light?

3. Does the cooling fan work?

(Put your hand over the rear ventilation openings.)

4. Does the turntable rotate?

(The turntable can rotate clockwise or counter clockwise. This is quite normal.)

5. Is the water inside the oven hot?

If “NO” is the answer to any of the above questions, please check your wall socket and the fuse in your meter box.

If both the wall socket and the fuse are functioning properly, CONTACT YOUR NEAREST SERVICE CENTER APPROVED.

SERVICING SAFEGUARDS

Caution: MICROWAVE RADIATION

1. The high voltage capacitor remains charge after disconnection; short the negative terminal of H. V capacitor to the oven chassis (use a screwdriver) to discharge before touching.

2. During servicing below listed parts are liable to be removed and give access to potentials above 250V to earth.

- Magnetron

3. The following conditions may cause undue microwave exposure during servicing.

- Improper fitting of magnetron;
- Improper matching of door interlock, door hinge and door;
- Improper fitting of switch support;
- Door, door seal or enclosure has been damaged.

Correct Disposal of this product



This marking indicates that this product should not be disposed with other household wastes throughout the EU. To prevent possible harm to the environment or human health from uncontrolled waste disposal, recycle it responsibly to promote the sustainable reuse of material resources. To return your used device, please use the return and collection systems

environmental safe recycling.

Hisense

life reimagined