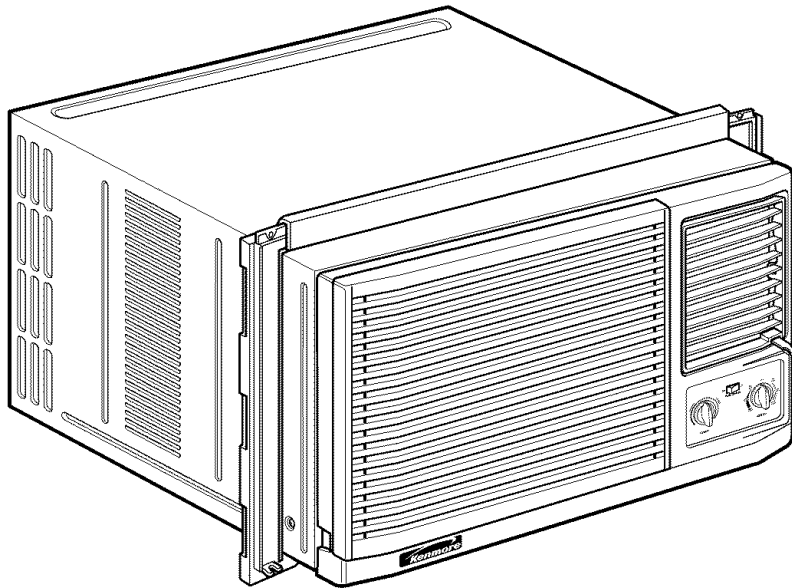


**Owner's Manual**  
**Manual del Propietario**



**HEAT / COOL AIR CONDITIONER**  
**EICALOR / REFRESCA ACONDICIONADOR**  
**DE AIRE DE VENTANA**

**Model, Modelo 580.75184**



**ENGLISH**

**ESPAÑOL**

**Sears, Roebuck and Co., Hoffman Estates, IL 60179 U.S.A.**  
**[www.sears.com](http://www.sears.com)**

# TABLE OF CONTENTS

<b>TABLE OF CONTENTS</b> .....	2	Features .....	10
<b>WARRANTY</b> .....	2	Using the Air Conditioner .....	10
<b>SAFETY</b> .....	3	Display .....	11
Important Safety Instructions .....	3	<b>MAINTENANCE</b> .....	12
<b>ELECTRICAL REQUIREMENTS</b> .....	4	Air Filter Cleaning .....	12
<b>INSTALLATION</b> .....	5	Air Conditioner Cleaning .....	12
Installation Requirements .....	5	How to Replace the Front Grille .....	12
Installation .....	6	<b>TROUBLESHOOTING</b> .....	13
How to Install .....	6	Before Calling for Service .....	13
Removal from Window .....	8	<b>ESPAÑOL</b> .....	14
<b>OPERATION</b> .....	9	<b>MASTER PROTECTION</b>	
How and Why .....	9	<b>AGREEMENTS</b> .....	27
Normal Sounds .....	9	<b>SERVICE NUMBERS</b> .....	Back Cover
Capacity and Running Time .....	9		

## WARRANTY

### FULL ONE YEAR WARRANTY ON ROOM AIR CONDITIONER

For one year from the date of purchase, when this air conditioner is operated and maintained for normal room cooling according to the instructions in this owner's manual, Sears will repair this air conditioner, free of charge, if defective in material or workmanship.

### FULL FIVE-YEAR WARRANTY ON SEALED REFRIGERATION SYSTEM

For five years from the date of purchase, when this air conditioner is operated and maintained for normal room cooling according to the instructions in this owner's manual, Sears will repair the sealed refrigeration system (consisting of refrigerant, connecting tubing, and compressor), free of charge, if defective in material or workmanship.

### WARRANTY SERVICE IS AVAILABLE BY CONTACTING SEARS SERVICE AT 1-800-4-MY-HOME®

Warranty coverage applies only to air conditioners used for non-commercial, private household purposes.

This warranty applies only while this product is in use in the United States.

This warranty gives you specific legal rights, and you may also have other right which vary from state to state.

**Sears, Roebuck and Co., D/817WA,  
Hoffman Estates, IL 60179 U.S.A.**

# SAFETY

## IMPORTANT SAFETY INSTRUCTIONS

The safety instructions below will tell you how to use your room air conditioner to avoid harm to yourself or damage to your ROOM AIR CONDITIONER.

### **⚠️ WARNING FOR YOUR SAFETY**

Do not store or use gasoline or other flammable vapors and liquids in the vicinity of this or any other appliance. Read product labels for flammability and other warnings.

### **⚠️ WARNING PREVENT ACCIDENTS**

To reduce the risk of fire, electrical shock, or injury to persons when using your air conditioner, follow basic precautions, including the following:

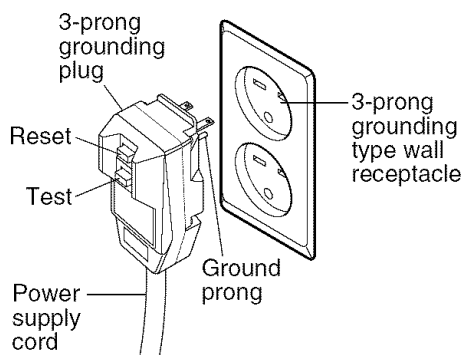
- Be sure the electrical service is adequate for the model you have chosen.
- If the air conditioner is to be installed in a window, you will probably want to clean both sides of the glass first. If the window is a triple-track type with a screen panel included, you may want to remove the screen completely before installation.
- Be sure the air conditioner has been securely and correctly installed according to the separate installation instructions provided with this manual. Save this manual and installation instructions for possible future use in removing or reinstalling this unit.
- Use gloves when handling the air conditioner. Be careful to avoid cuts from sharp metal fins on front and rear coils.

### **⚠️ WARNING ELECTRICAL INFORMATION**

The complete electrical rating of your new room air conditioner is stated on the serial plate. Refer to the rating when checking the electrical requirements.

- Be sure the air conditioner is properly grounded. To minimize shock and fire hazards, proper grounding is important. The power cord is equipped with a three-prong grounding plug for protection against shock hazards.
- Your air conditioner must be plugged into a properly grounded wall receptacle. If the wall receptacle you intend to use is not adequately grounded or protected by a time delay fuse or circuit breaker, have a qualified electrician install the proper receptacle.
- Do not run air conditioner with a protective covering. This could result in mechanical damage within the air conditioner.
- **Do not use an extension cord or an adapter plug.**

**⚠️ WARNING** Avoid fire hazard or electric shock. Do not use an extension cord or an adapter plug. Do not remove any prong from the power cord.



## ENERGY SAVING IDEAS

- The capacity of the room air conditioner must fit the room size for efficient and satisfactory operation.
- Install the room air conditioner on the shady side of your home. A window that faces north is best because it is shaded most of the day.
- Do not block air conditioner flow inside with blinds, curtains, or furniture, or outside with shrubs, enclosures, or other buildings.
- Close the floor and wall registers and the fireplace damper so cool air does not escape up the chimney or into the duct work.
- Keep blinds and drapes in other windows closed during the sunniest part of the day.
- Clean the air filter as recommended in the MAINTENANCE section of this manual.
- Proper insulation and weather stripping in your home will help keep warm air out and cool air in.
- External house shading with trees, plants or awnings will help reduce the air conditioner's work load.
- Operate heat producing appliances such as ranges, washers, dryers, and dishwashers during the coolest part of the day.

# ELECTRICAL REQUIREMENTS

**OBSERVE ALL LOCAL CODES AND ORDINANCES.**

**DO NOT, UNDER ANY CIRCUMSTANCES, REMOVE THE POWER SUPPLY CORD GROUND PRONG.**

**ELECTRICAL GROUND IS REQUIRED ON THIS APPLIANCE.**

A 250-volt 60 Hz, AC only, 20A fused and properly grounded electrical supply is required. A time delay fuse or time delay circuit breaker is recommended. Use a dedicated circuit, serving only this appliance.

**DO NOT USE AN EXTENSION CORD.**

## RECOMMENDED GROUNDING METHOD

For your personal safety, this appliance must be grounded. This appliance has a power supply cord with a 3-prong grounding plug. To minimize possible shock hazard, the cord must be plugged into a mating grounding type wall receptacle and grounded in accordance with the National Electrical Code (ANSI/NFPA 70) latest edition and all local codes and ordinances. If a mating wall receptacle is not available, it is the personal responsibility and obligation of the customer to have a properly grounded 3-prong wall receptacle installed by a qualified electrician.

115V~	230V~	
		<p>Power cord may include a current interrupter device. A test and reset button is provided on the plug case. The device should be tested on a periodic basis by first pressing the TEST button and then the RESET button. If the TEST button does not trip or if the RESET button will not stay engaged, discontinue use of the air conditioner and contact a qualified service technician.</p>

**NOTE:** The shape may be different according to its model.

Use Wall Receptacle	Power Supply
<p>Standard 125V, 3-wire grounding receptacle rated 15A, 125V AC</p>	<p>Use 15 AMP. time delay fuse or 15 AMP. circuit breaker.</p>
<p>Standard 250V, 3-wire grounding receptacle rated 15A, 250V AC</p>	
<p>Standard 250V, 3-wire grounding receptacle rated 20A, 250V AC</p>	<p>Use 20 AMP. time delay fuse or 20 AMP. circuit breaker.</p>

**⚠ WARNING**

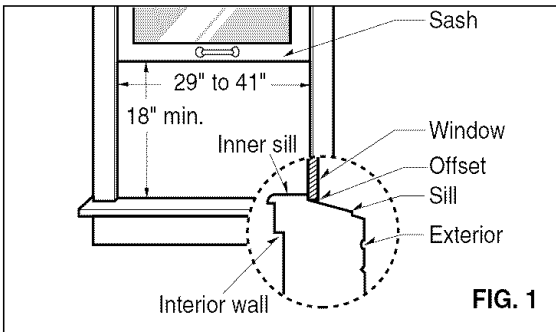
Electrical Shock Hazard  
 Plug into a grounded 3 prong outlet.  
 Do not remove ground prong.  
 Do not use an adapter.  
 Do not use an extension cord.  
 Failure to follow these instructions can result in death, fire, or electrical shock.

# INSTALLATION

## INSTALLATION REQUIREMENTS

Your air conditioner will install into standard double hung windows with actual clear opening widths of 29 to 41 inches (737mm to 1041mm) (FIG. 1)

Lower sash must open sufficiently to allow a clear vertical opening of 18 inches (457mm). Side louvers and the rear of the air conditioner must have clear air space to allow enough airflow through the condenser for heat removal. The rear of the unit must be outdoors, not inside a building or garage.



## ELECTRICAL SERVICE

Check your available electrical service. The power supply available must be the same as that shown on the unit nameplate (found on right side of cabinet).

All models are equipped with a 3-prong service plug to provide proper service and safe positive grounding. Do not change plug in any way. Do not use an adapter plug. If your present wall outlet does not match your plug, call a qualified electrician to make the necessary corrections.

SAVE CARTON and this OWNER'S MANUAL for future reference. The carton is the best way to store unit during winter or when not in use.

### **CAUTION**

To avoid risk of personal injury, property damage, or product damage due to the weight of this device and sharp edges that may be exposed:

- Air conditioners covered in this manual pose an excessive weight hazard. Two or more people are needed to move and install the unit. To prevent injury or strain, use proper lifting and carrying techniques when moving unit.
- Carefully inspect location where air conditioner will be installed. Be sure it will support the weight of the unit over an extended period of time.
- Handle air conditioner with care. Wear protective gloves whenever lifting or carrying the unit. AVOID the sharp metal fins of front and rear coils.
- Make sure air conditioner does not fall during installation.

## INSTALLATION HARDWARE

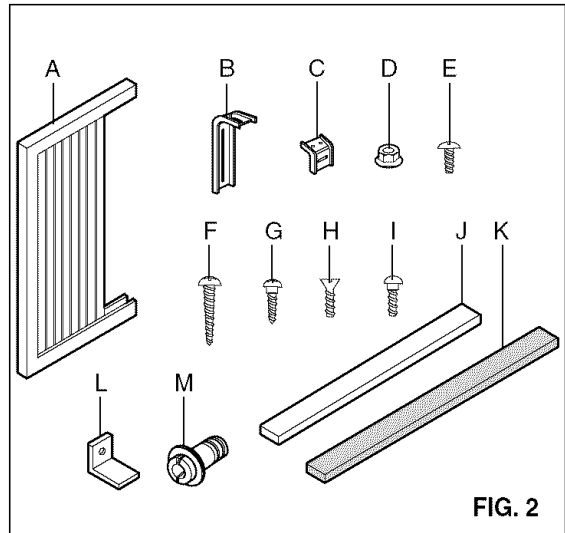


FIG. 2

ITEM	NAME OF PARTS	Q'TY
A	SIDE CURTAIN	2
B	SUPPORT BRACKET	2
C	SILL BRACKET	2
D	LOCK NUT	4
E	SCREW: 25/64"	11
F	SCREW: 13/16"	7
G	SCREW: 9/16"	5
H	M-SCREW	2
I	CARRIAGE BOLT	2
J	FOAM STRIP	1
K	FOAM SEAL	1
L	WINDOW LOCKING BRACKET	1
M	DRAIN PIPE	1

### REQUIRED TOOLS:

- Tight Fitting gloves
- Standard screwdriver
- Phillips screwdriver
- Pliers
- Sharp knife
- 3/8-inch open end wrench or adjustable wrench
- 1/4-inch hex socket and ratchet
- Tape measure
- Electric drill
- 1/4-inch drill bit

# INSTALLATION

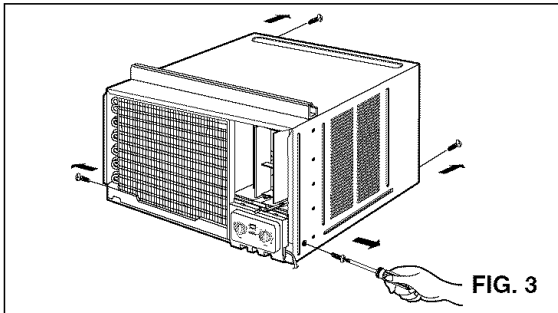
## INSTALLATION

Pick a location which will allow you to blow the cold air into the area you want. Windows used for installation must be strong enough to support the weight of the air conditioner. Good installation with special attention to the proper position of the unit will lessen the chance that service will be needed.

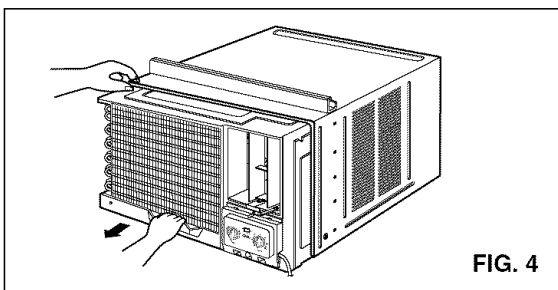
When cooling more than one room, installation location is very important. If air conditioner is blocked by a storm window frame, see step 16 on page 8 before beginning to install. To cool your rooms, cold air must be blown from the air conditioner in a straight path.

## HOW TO INSTALL

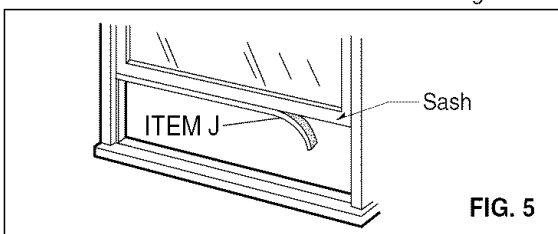
**1** Remove the screws which fasten the cabinet at the back and side of the unit. Save side screws. Discard back screws.



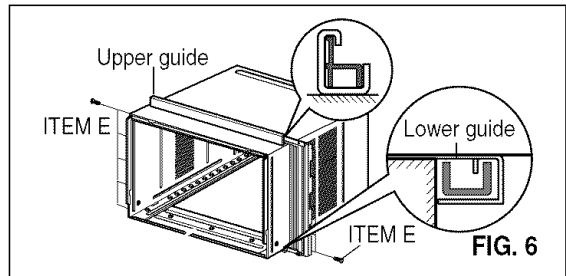
**2** Slide the unit out of the cabinet by gripping the base pan handle and pull forward while bracing the cabinet.



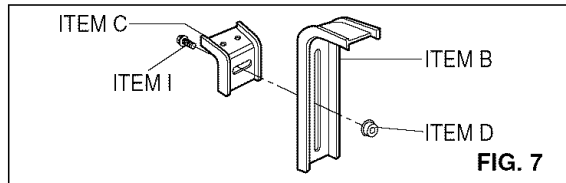
**3** Cut the FOAM STRIP (ITEM J) to fit the underside of the window sash. Peel off the backing and attach the FOAM STRIP as shown in Fig. 5.



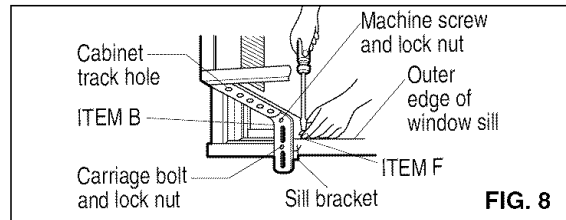
**4** Insert the side curtain (ITEM A) into the upper guide and lower guide of the air conditioner. Fasten the curtains to the unit with screws (ITEM E).



**5** Open the window. Mark a line on the center of the window inner sill. Loosely attach the sill bracket (ITEM C) to the support bracket (ITEM B) using the carriage bolt (ITEM I) and the lock nut (ITEM D).

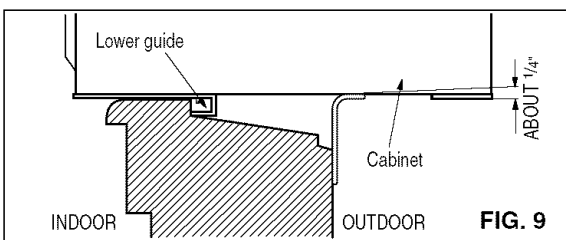


**6** Attach the sill bracket to the window sill using the screws (ITEM F). Carefully place the cabinet on the window inner sill and align the center of the cabinet front with the center line marked on the window inner sill.



**7** Using an M-screw (ITEM H) and a lock nut (ITEM D), attach the support bracket to the cabinet track hole. Use the first track hole after the sill bracket on the outer edge of the window sill. Tighten the carriage bolt and the lock nut. Be sure the cabinet slants downward 1/4" from level (FIG. 9).

**CAUTION:** Do not drill a hole in the bottom pan. The unit is designed to operate with approximately 1/2" of water in bottom pan.

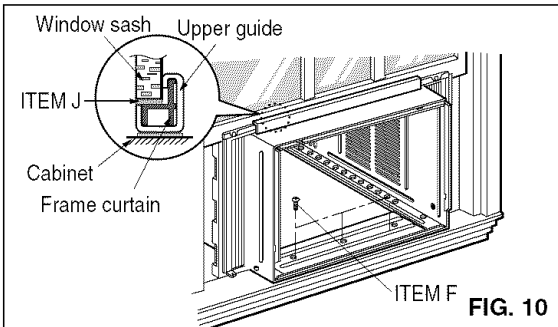


# INSTALLATION

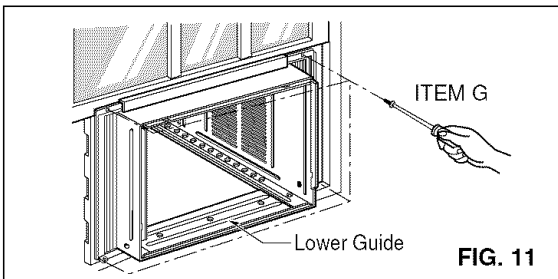
**8** Pull the bottom window sash down behind the upper guide until they meet.

**NOTE:**

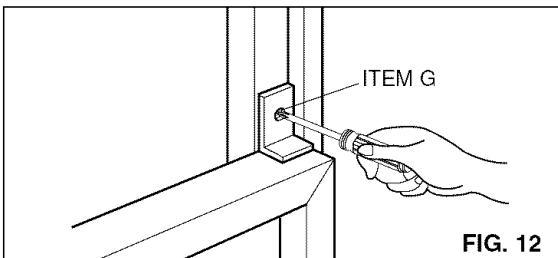
- Do not pull the window sash down so tightly that the movement of sliders is restricted. Attach the cabinet to the window inner sill by driving the screws (ITEM F) through the cabinet into window inner sill.
- The cabinet should be installed with a very slight tilt downward to the outside 1/4" from level.



**9** Expand side curtains to fill opening. Attach each side curtain to the window sash using 2 screws (ITEM G). (FIG. 11)



**10** Attach the window locking bracket (ITEM L) with a screw (ITEM G). See FIG. 12.

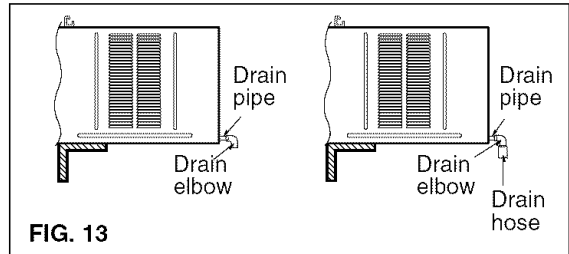


**11 DRAINAGE**

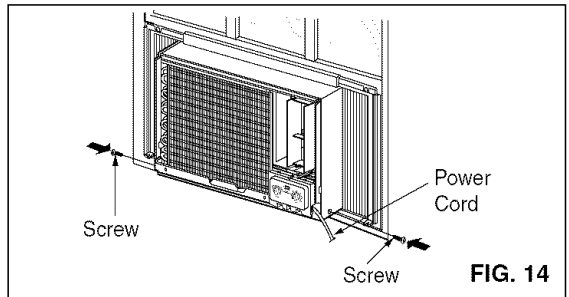
A drain hole is provided at the rear of the air conditioner unit. Select a drain method according to the following.

- Remove the hole rubber from the base-pan.

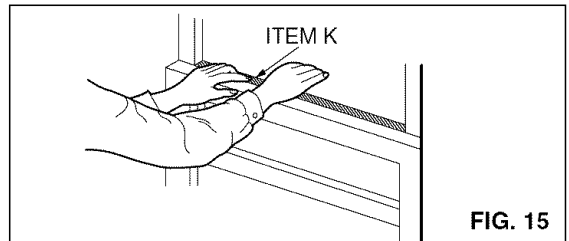
- Connect a drain elbow of 9/16" inside diameter to the drain pipe.
- Connect a drain hose of 9/16" inside diameter to the drain elbow. (Drain hose is not supplied.)



**12** Slide the air conditioner into the cabinet. (FIG. 14)  
**CAUTION:** For security purposes, reinstall side screws that were removed in step 1.

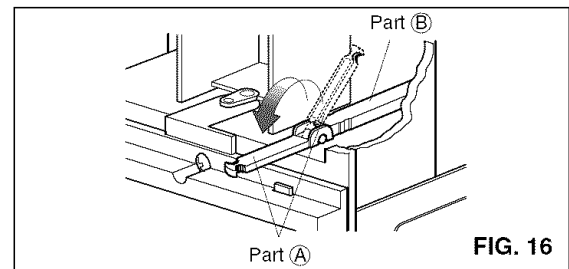


**13** Cut the foam seal (ITEM K) to the proper length and insert between the upper window sash and the lower window sash. (FIG. 15)



**14** Adjust the vent handle before the decorative front is attached. (FIG. 16)

Straighten the lever, as shown. Pull down part (A) to align with part (B).



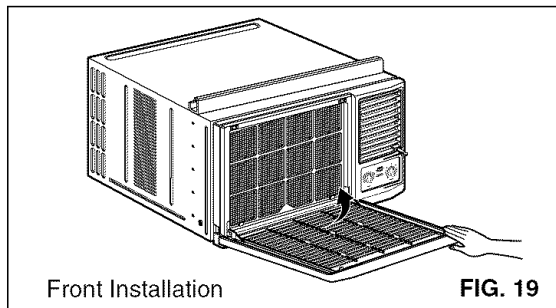
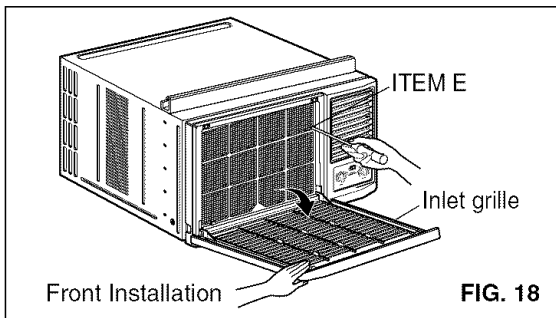
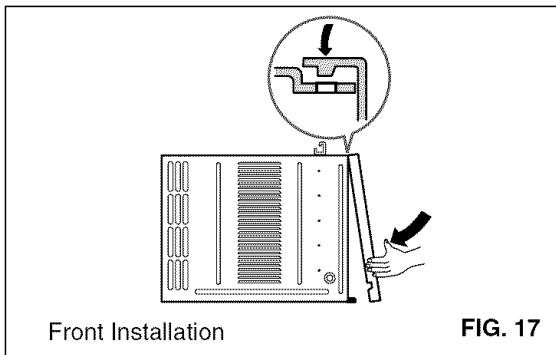
ENGLISH

# INSTALLATION

## 15 FRONT INSTALLATION

Install the front grille (packed separately) onto the cabinet as follows:

- Hook upper tabs of front grille into slots on the cabinet top. (FIG. 17)
- Push front grille's tips toward the cabinet in order to snap side tabs into the cabinet. (FIG. 17)
- Open the inlet grille. (FIG. 18)
- Install the screw (ITEM E) through the front grille. (FIG. 18)
- Close inlet grille. (FIG. 19)

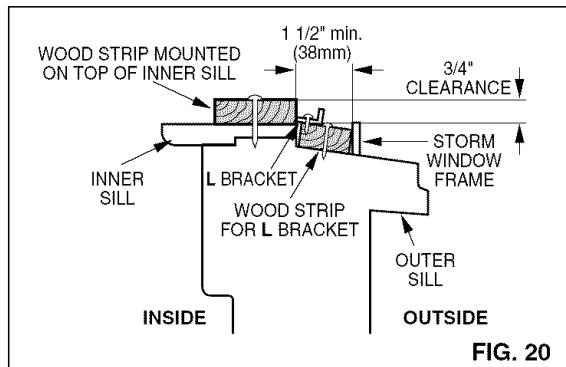


## 16 IF AIR CONDITIONER IS BLOCKED BY STORM WINDOW FRAME

- If storm window presents interference, fasten a 2" wide wood strip to the inner window sill across the full width of the sill. The wood strip should be thick enough to raise the height of the window sill so that the unit can be installed without interference from the storm window frame. See FIG. 20.

Top of wood strip should be approximately 3/4" higher than the storm window frame to help condensation to drain properly to the outside.

- Install a second wood strip (approximately 6" long by 1 1/2" wide and same thickness as first strip) in the center of the outer sill flush against the back of the inner sill. Screw the L brackets into this strip. To support the lower guide, screw an "L" bracket (not supplied) into this strip as shown in FIG. 20.



## REMOVAL FROM WINDOW

- Turn off and unplug the air conditioner.
- Remove the front grille. See HOW TO REMOVE THE FRONT GRILLE. Refer to page 12.
- Unscrew the side screws that you installed in Step 12.
- Slide the air conditioner out of the cabinet. BE CAREFUL NOT TO DROP IT. Hold onto it firmly the whole way sliding it out. Once removed, set it safety out of the way.
- Remove the L bracket from window frame and the sash seal from between the windows.
- Unscrew the side curtains from the window frame. Fold them back to the sides of the cabinet.
- Remove screws attaching cabinet to inner sill. Be careful not to let cabinet fall once screws are removed.
- Remove cabinet from window opening.
- Place air conditioner into cabinet. Reinstall side screws and Front Grille.
- Place unit and all assembly hardware in air conditioner shipping carton, and store in clean, dry place.



### CAUTION

- Air conditioners covered in this manual pose an excessive weight hazard. Two or more people are needed to move and install the unit. To prevent injury or strain, use proper lifting and carrying techniques when moving unit.
- When handling the air conditioner, be careful to avoid cuts from sharp metal fins on front and rear coils.
- Make sure air conditioner does not fall during removal.

# OPERATION

## HOW AND WHY

Your room air conditioner provides the following functions to make hot weather living more comfortable:

- Cools and circulates room air.
- Lowers humidity by removing excess moisture.
- Filters out summertime dust, dirt, and some airborne impurities.

The air conditioner performs these functions by drawing room air through a filter which traps dust and dirt particles. The air then passes over a cooling coil which refrigerates the air and removes excess moisture. The same air is then returned to the room—cooler, drier, and cleaner. Moisture removed from the room air is carried to the outside and evaporated.

Your air conditioner is designed to be easy to operate and to provide plenty of cooling power.

## NORMAL SOUNDS FIG. 21

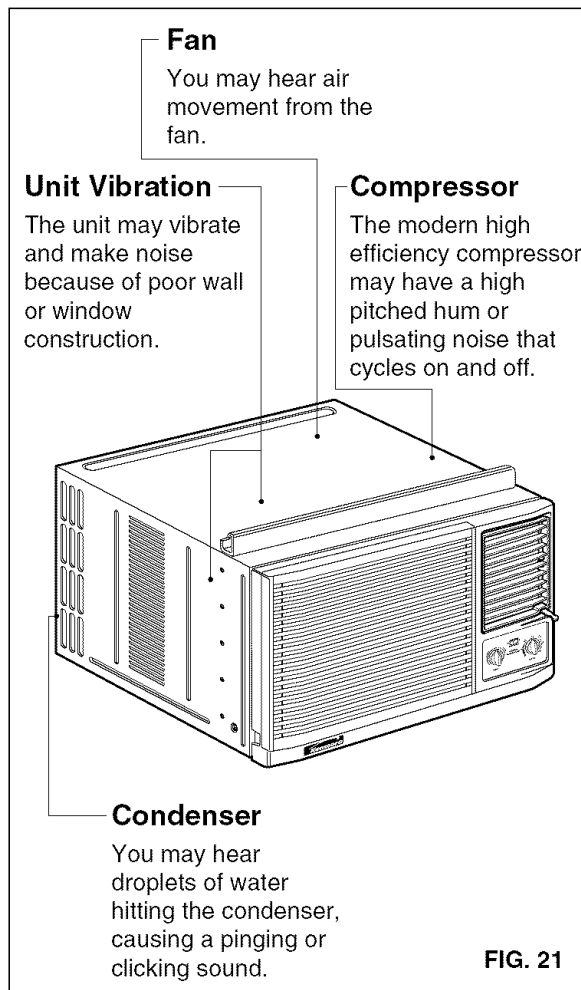
Aside from the regular fan motor and compressor sounds coming from your air conditioner, you will once in a while hear a pinging sound. This is the result of moisture being picked up from the air in the room and thrown against the air conditioner's fan. This is normal and should not be cause for concern. Also, do not be alarmed if you hear a slight hissing or gurgling sound coming from your air conditioner after it is off. These are normal coolant noises.

## CAPACITY AND RUNNING TIME

Proper unit size is important in deciding the desired comfort for the area you want to cool. The proper size is determined by the number of square feet in the area to be cooled.

Whenever the heat or humidity load is above normal the air conditioner must run longer and more often to keep the desired temperature you have selected. Under heavy heat load conditions the air conditioner may need to run constantly to keep the temperature you want.

At times using the HIGH FAN setting to circulate the room air may make it comfortable even though you do not have the air conditioner set to cool the air. This will decrease your cost of use.



## WATER DRAIN VALVE

When the outside temperature drops below 58°F and the unit is set for heating, a drain valve opens up to release water from the base pan. This is normal and prevents water from freezing in the base pan and interfering with the outdoor fan.

ENGLISH

# OPERATION

## FEATURES

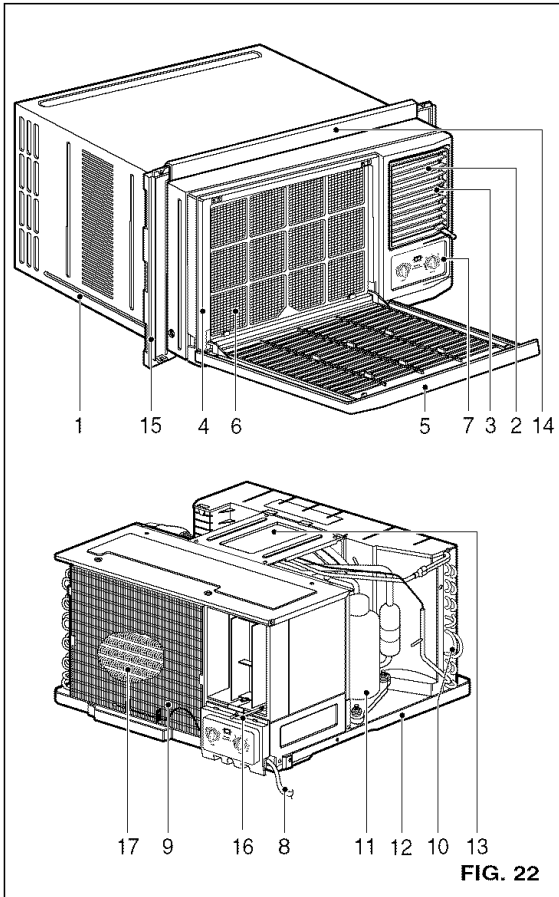


FIG. 22

1. Cabinet
2. Vertical Air Direction Louvers
3. Horizontal Air direction Louvers
4. Front Grille
5. Inlet Grille
6. Air Filter
7. Control Board
8. Power Cord
9. Evaporator Coil
10. Condenser
11. Compressor
12. Base Pan
13. Brace
14. Upper Guide
15. Curtain
16. Vent Control
17. Electric Heater

## USING THE AIR CONDITIONER

**⚠ WARNING** To reduce the risk of fire, electric shock, or injury to persons, read the important SAFETY instructions section before operating this appliance

To begin operating the air conditioner after installation, follow these steps:

1. Plug in the air conditioner. (To prevent electrical hazards, do not use an extension cord or an adapter plug.)
2. Set the exhaust vent to the CLOSE position.
3. Set the TEMP Control to the coolest setting.
4. Set the MODE Control at the highest COOL level.
5. Adjust the louvers for comfortable air flow.
6. Once the room has cooled, adjust the TEMP and MODE control to the setting you find most comfortable.

**NOTE :** If the air conditioner is turned off, wait 3 minutes before restarting. This allows pressure inside the compressor to equalize. Failure to wait 3 minutes before restarting may cause inefficient operation.

If you move the TEMP Control to a warmer, then immediately back to a cooler setting, the unit will shut off. Wait 3 minutes before restarting.

### VENT CONTROL

The Vent Control allows the air conditioner to either recirculate inside air (CLOSE) or exhaust air to the outside (OPEN). (FIG. 23)

- The CLOSE position is used when maximum cooling is desired. It may also be used for air recirculation without cooling when the air conditioner is set in the FAN position.
- The OPEN position removes stale air from the room and exhausts it to the outside. Fresh air is drawn into the room through your home's normal air passages.
- The OPEN or CLOSE position can be used with any fan selection.

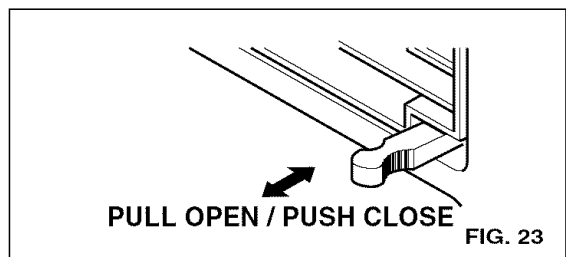
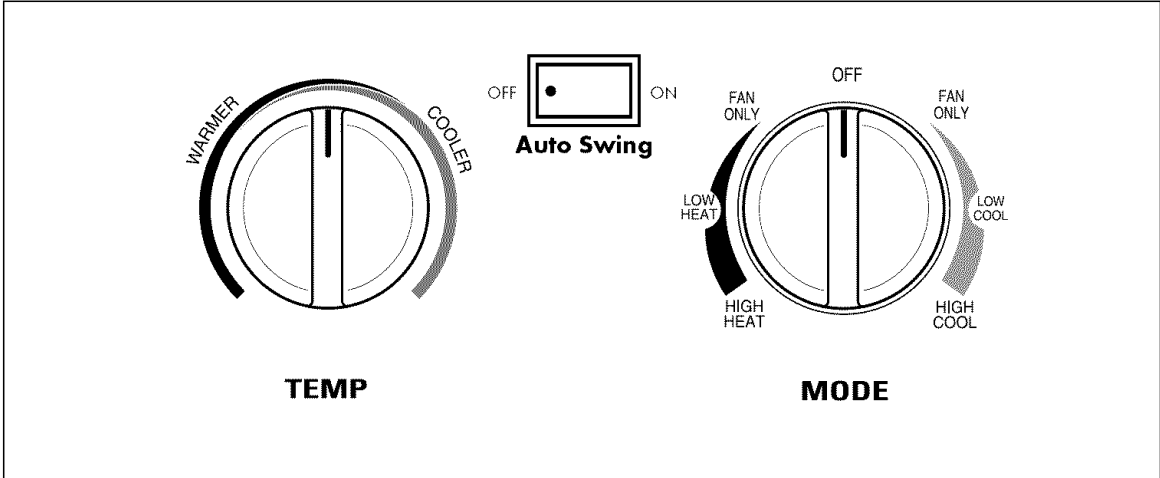


FIG. 23

# OPERATION

## AIR CONDITIONER FEATURES

The controls featured in this manual are representative of the many models available. Your model may look slightly different.

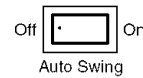


### TEMP

The temp control is used to maintain the room temperature. The compressor will cycle on and off to keep the room at the same level of comfort. Turn the knob clockwise to **COOLER** (blue) and the indoor air will become cooler. Turn the knob counterclockwise to **WARMER** (red) and the indoor air will become warmer.

### Auto Swing

**ON** : Starts the operation of air swing.  
**OFF** : Stops the operation of air swing.



### MODE

- OFF** : Turns air conditioner off.
- FAN ONLY** : Fan operation without cooling or heating.
- LOW COOL** : Cooling with low fan speed operation.
- HIGH COOL** : Cooling with high fan speed operation.
- LOW HEAT** : Heating with low fan speed operation.
- HIGH HEAT** : Heating with high fan speed operation.

### VERTICAL AIR DIRECTION CONTROL

The vertical air direction is adjusted by moving the horizontal louvers up or down with your fingertips.

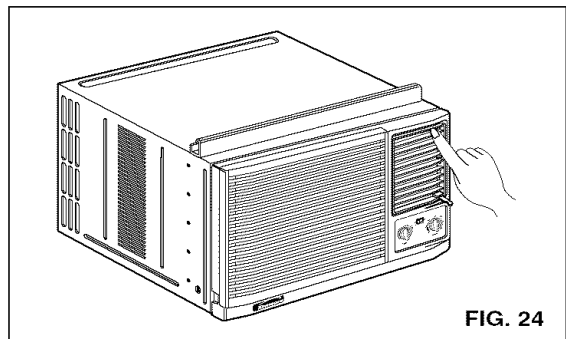


FIG. 24

# MAINTENANCE

## AIR FILTER CLEANING

The Air Filter will become dirty as it removes dust from the inside air. It should be washed at least every 2 weeks. If the Air Filter remains full of dust, the air flow will decrease and the cooling capacity will be reduced, possibly damaging the unit.

- Pull the inlet grille forward, grasping both tabs, then pull out the air filter. (FIG. 25)
- Wash the Air Filter under the faucet with warm water. Be sure to shake off all the water before replacing the filter. (FIG. 26)

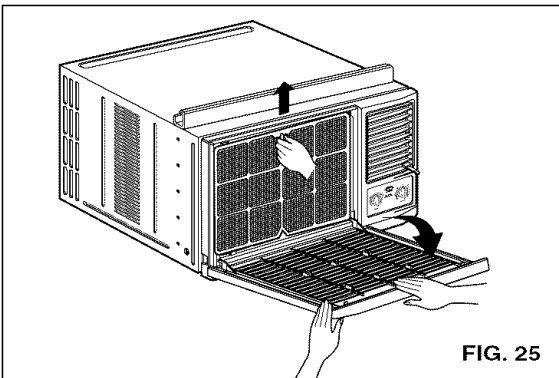


FIG. 25

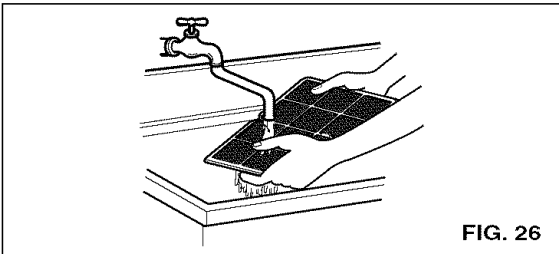


FIG. 26

## AIR CONDITIONER CLEANING

Clean the front grille and inlet grille by wiping with a cloth dampened in a mild detergent solution.

The cabinet may be washed with mild soap or detergent and lukewarm water, then polished with liquid appliance wax.

To ensure continued peak efficiency, the condenser coils (outdoor side of unit) should be checked periodically and cleaned if they become clogged with soot or dirt from the atmosphere. Brush or vacuum exterior coils to remove debris from fins.

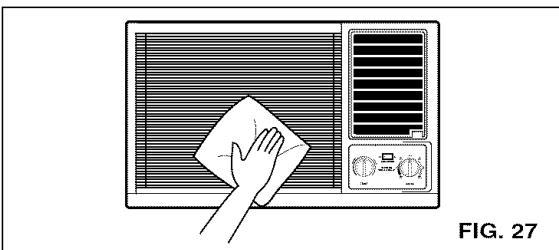


FIG. 27

## HOW TO REMOVE THE FRONT GRILLE

- Open the inlet grille downward.
- Remove the screw securing the Front Grille.
- Push the grille up from the bottom and pull the top of the grille away from the case to lift the top tabs out of their slots.

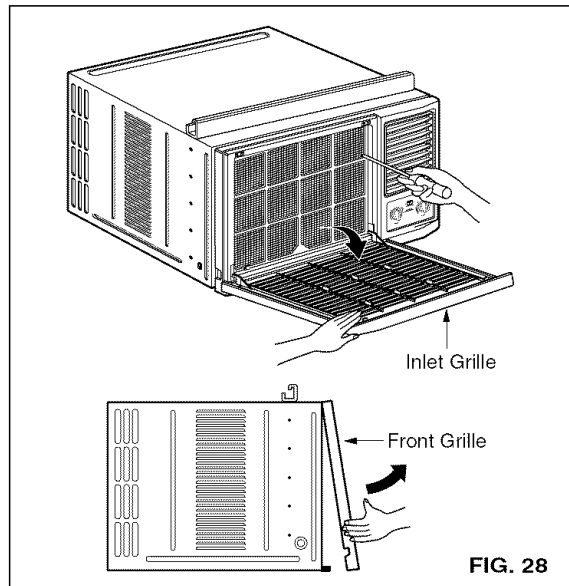


FIG. 28

## HOW TO REPLACE THE FRONT GRILLE

Attach the front grille to the cabinet by inserting the tabs on the grille into the slots on the front of the cabinet. Push the grille in until it snaps into place.

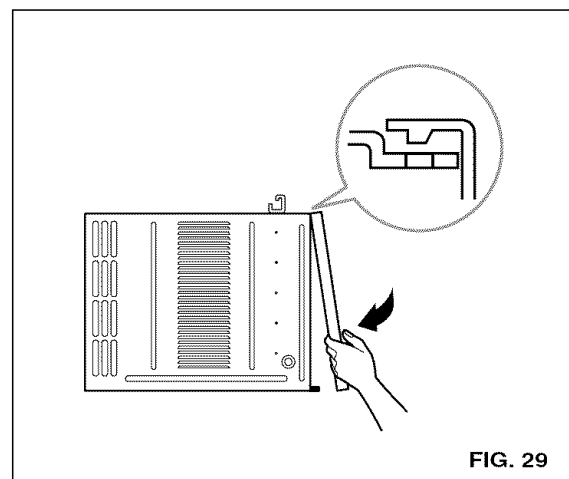


FIG. 29

# TROUBLESHOOTING

ENGLISH

## BEFORE CALLING FOR SERVICE

Check the following list to be sure a service call is really necessary. A quick reference to this manual may help you avoid an unneeded service call.

### THE AIR CONDITIONER WILL NOT OPERATE.

Check if...	Then...
Wall plug disconnected.	Push plug firmly into wall outlet.
House fuse blown or circuit breaker tripped.	Replace fuse with time delay type or reset circuit breaker.
MODE selector is OFF position.	Turn MODE selector to the desired COOL setting.
Unit was turned off and then on too quickly.	Turn unit off and wait 3 minutes before restarting.
TEMP Control set warmer than room temperature.	Turn TEMP Control clockwise to a cooler setting (higher number).
The current interrupter device is triped	Press the RESET button located on the power cord plug If the RESET button will not stay engaged, discontinue use of the air conditioner and contact a qualified service technician.

### AIR FROM UNIT DOES NOT FEEL COLD ENOUGH.

Check if...	Then...
MODE selector in LOW COOL position.	Turn selector to HIGH COOL position
TEMP Control set too warm (lower number).	Turn TEMP Control clockwise to a cooler setting.
Room temperature below 70°F (21°C).	Cooling may not occur until room temperature rises above 70°F (21°C).
Temperature sensing tube touching evaporator coil, located behind front grille.	Straighten tube away from evaporator coil.

### THE AIR CONDITIONER COOLING, BUT ROOM IS TOO WARM – ICE FORMING ON COOLING COIL BEHIND FRONT GRILLE.

Check if...	Then...
Outdoor temperature below 70°F (21°C).	To defrost the coil, set selector to FAN position. Then, turn TEMP control counterclockwise to a warmer setting.
Air filter may be dirty.	Clean filter. Refer to Maintenance section of owner's manual. To defrost, set selector to FAN position.
TEMP Control set too cold for night-time cooling.	To defrost the coil, set selector to a FAN position. Then, set the MODE control at FAN position or "High Cool" with the TEMP control to a warmer position.

### THE AIR CONDITIONER COOLING, BUT ROOM IS TOO WARM.

Check if...	Then...
Dirty air filter – air restricted.	Clean air filter. Refer to Maintenance section of owner's manual.
TEMP Control set too warm.	Turn TEMP control clockwise to a cooler setting (higher number).
Front of unit is blocked by drapes, blinds, furniture, etc. Air distribution is restricted.	Clear blockage in front of unit.
Doors, windows, registers, etc. open. Cold air escapes.	Close doors, windows, registers, etc.
Unit recently turned on in hot room.	Allow additional time to remove stored heat from walls, ceiling, floor, and furniture.

### THE AIR CONDITIONER TURNS ON AND OFF RAPIDLY.

Check if...	Then...
Outside temperature is extremely hot.	Set MODE on HIGH speed to bring air past cooling coils faster.

### NOISE WHEN UNIT IS COOLING.

Check if...	Then...
Sound of fan hitting water – from the moisture removal system.	This is normal when humidity is high. Close doors, windows, and registers.
Window vibration – poor installation.	Refer to installation instructions or check with installer.

### WATER DRIPPING INSIDE ROOM WHEN UNIT IS COOLING.

Check if...	Then...
The air conditioner is improperly installed.	Tilt air conditioner slightly to the outside to allow water drainage. Refer to installation instructions or check with installer.

### WATER DRIPPING OUTSIDE WHEN UNIT IS COOLING.

Check if...	Then...
The unit is removing large quantities of moisture from humid room.	This is normal during excessively humid days.

# INDICE DE MATERIAS

<b>INDICE DE MATERIAS</b> .....	14	Características .....	22
<b>GARANTÍA</b> .....	14	Uso del equipo de aire acondicionado .....	22
<b>SEGURIDAD</b> .....	15	Despliegue .....	23
Importantes instrucciones de seguridad .....	15	<b>MANTENIMIENTO</b> .....	24
<b>REQUERIMIENTOS ELÉCTRICOS</b> .....	16	Limpieza del filtro del aire .....	24
<b>INSTALACIÓN</b> .....	17	Limpieza del equipo de aire acondicionado .....	24
Requerimientos para instalación .....	17	Cómo a reemplaza el grille anterior .....	24
Instalación .....	18	<b>CORRECCIÓN DE FALLAS</b> .....	25
Cómo instalarlo .....	18	Antes de Llamar para Servicio .....	25
La eliminación de la ventana .....	20	<b>ACUERDOS DE PROTECCIÓN</b>	
<b>OPERACIÓN</b> .....	21	<b>ESPECIALIZADA</b> .....	27
Cómo y por qué .....	21	<b>PARA PEDIR SERVICIO</b> ....	Cubierta Trasera
Sonidos normales .....	21		
Capacidad y tiempo de funcionamiento .....	21		

## GARANTÍA

### **GARANTÍA DE UN AÑO POR EL EQUIPO DE AIRE ACONDICIONADO DE HABITACIÓN**

Durante un año completo a partir de la fecha de compra, si este equipo de aire acondicionado recibe mantenimiento y se utiliza para el enfriamiento normal de habitación según las instrucciones indicadas en este manual del propietario, Sears reparará gratuitamente este equipo de aire acondicionado, si tiene algún defecto en materiales o fabricación.

### **GARANTÍA TOTAL DE CINCO AÑOS POR EL SISTEMA DE REFRIGERACIÓN HERMÉTICAMENTE SELLADO**

Durante cinco años a partir de la fecha de compra, si este equipo de aire acondicionado recibe mantenimiento y se utiliza para el enfriamiento normal de habitación según las instrucciones indicadas en este manual del propietario, Sears reparará gratuitamente el sistema de refrigeración herméticamente sellado (que consiste en el agente refrigerante, los tubos de conexión y el compresor), si tiene algún defecto en materiales o fabricación.

### **EL SERVICIO DE GARANTÍA ESTÁ A SU DISPOSICIÓN CON SÓLO PONERSE EN CONTACTO EL CENTRO DE SEARS AL 1-800-4-MY-HOME®**

La protección de garantía cubre únicamente a los equipos de aire acondicionado usados para uso doméstico y no para uso comercial.

Esta garantía sólo tiene validez mientras el producto se esté usando en los Estados Unidos.

Esta garantía le da derechos legales específicos y usted puede tener otros derechos que varían de estado en estado.

**Sears, Roebuck and Co., D/817WA,  
Hoffman Estates, IL 60179 U.S.A.**

# SEGURIDAD

## IMPORTANTES INSTRUCCIONES DE SEGURIDAD

Las siguientes instrucciones de seguridad le indicarán cómo usar su equipo de aire acondicionado de habitación para evitar daños para usted mismo y para su EQUIPO DE AIRE ACONDICIONADO.

### ⚠️ ADVERTENCIA POR SU SEGURIDAD

No almacene ni use gasolina u otros vapores y líquidos inflamables cerca de éste o cualquier otro electrodoméstico. Lea las etiquetas de los productos para ver si contienen advertencias sobre el carácter inflamable de los mismos y otras advertencias.

### ⚠️ ADVERTENCIA PARA PREVENIR ACCIDENTES

Para reducir el riesgo de incendios, descargas eléctricas o lesiones personales al usar su equipo de aire acondicionado, tome las precauciones básicas, entre las que están las siguientes:

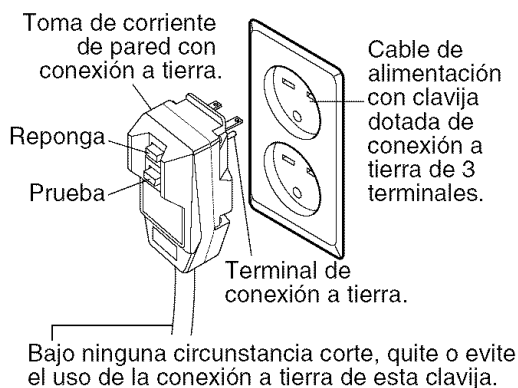
- Asegúrese de que la alimentación eléctrica sea la apropiada para el modelo que usted ha elegido.
- Si el equipo de aire acondicionado debe instalarse en una ventana, a usted probablemente le conviene limpiar primero ambos lados del vidrio. Si la ventana es del tipo de tres paneles con un panel incluido de pantalla, le conviene sacar la ventana completamente antes de la instalación.
- Asegúrese de que el equipo de aire acondicionado ha sido instalado correctamente y con seguridad según se señala en las instrucciones separadas de instalación que vienen en este manual. Conserve este manual y las instrucciones de instalación para usarlos posiblemente en el futuro al sacar o volver a instalar esta unidad.
- Utilice guantes al manejar el equipo de aire acondicionado, tenga cuidado para evitar cortadas con las afiladas aletas metálicas que se hallan en los serpentines frontales y posteriores.

### ⚠️ ADVERTENCIA INFORMACIÓN ELECTRICA

En la placa de serie del fabricante se indica cuál es la capacidad eléctrica nominal completa de su nuevo equipo de aire acondicionado para habitación. Consulte esta placa cuando vaya a verificar los requerimientos eléctricos.

- Asegúrese de que el equipo de aire acondicionado tenga una conexión correcta a tierra. Para reducir al mínimo los riesgos de descargas eléctricas e incendio, es importante conectar el equipo correctamente a tierra. El cordón de alimentación eléctrica está equipado con un enchufe de tres espigas con conexión a tierra para protegerle contra riesgos de descargas eléctricas.
- Su equipo de aire acondicionado debe enchufarse en una toma de corriente de pared que tenga una conexión correcta a tierra. Si la toma de corriente de pared que usted piensa usar no está conectada correctamente a tierra o no está protegida con un fusible de acción retardada o con un interruptor de circuito, haga que un electricista calificado le instale la toma de corriente de pared en forma correcta.
- No ponga a funcionar el equipo de aire acondicionado con una cubierta protectora exterior encima. Esto podría ocasionar daños mecánicos dentro del aire acondicionado.
- **No use un cable de extensión ni un enchufe adaptador.**

⚠️ **ADVERTENCIA** Evite los peligros de incendios y descargas eléctricas. No use un cable de extensión ni un enchufe adaptador. No elimine ninguna de las espigas del enchufe del cordón de alimentación eléctrica.



## IDEAS PARA AHORRAR ENERGÍA

- La capacidad del equipo de aire acondicionado debe corresponder al tamaño de la habitación para el funcionamiento eficiente y satisfactorio del equipo.
- Instale el equipo de aire acondicionado de habitación en el lado sombreado de su hogar. Una ventana orientada hacia el norte es la mejor porque tiene sombra la mayor parte del día.
- No bloquee el aparato de aire acondicionado tapándolo con persianas, cortinas, muebles o en el exterior con arbustos, recintos u otros edificios.
- Cierre el regulador de tiro de la chimenea, las rejillas de calefacción del piso y la pared, de tal modo que el aire frío no se escape ni por la chimenea ni por los conductos.
- Mantenga las persianas y las cortinas de otras ventanas cerradas durante la parte más soleada del día.
- Limpie el filtro del aire como se recomienda en la sección "MANTENIMIENTO" de este manual.
- El aislamiento correcto y las juntas herméticas en puertas y ventanas en su hogar le ayudarán a mantener el aire caliente afuera y el aire frío adentro.
- Al darle sombra externamente a la casa con árboles, plantas o toldos ayudará a reducir la carga de trabajo del equipo de aire acondicionado.
- Opere los aparatos que producen calor como, por ejemplo, hornos, lavadoras, secadoras y lavaplatos durante la parte más fría del día.

# REQUERIMIENTOS ELÉCTRICOS

**RESPETE TODOS LOS CÓDIGOS Y REGLAMENTOS.**

**BAJO NINGUNA CIRCUNSTANCIA CORTE, quite o evite el uso de la conexión a tierra de esta clavija.**

**ESTE APARATO NECESITA SER CONECTADO A TIERRA.**

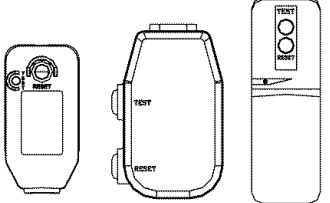
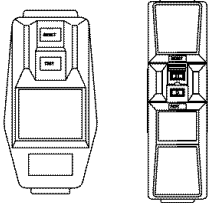
Se requiere una alimentación eléctrica CA, adecuadamente conectada a tierra con un fusible de 20 A, de 60 Hz y de 250 V.

Se recomienda un fusible de retardo o un disyuntor de circuito que alimente solamente a este aparato.



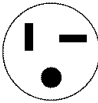
**NO USE CABLE ELÉCTRICO DE EXTENSIÓN.**

**MÉTODO RECOMENDADO DE CONEXIÓN A TIERRA**

Por su propia seguridad este aparato debe conectarse a tierra. Este aparato viene equipado con un cable de alimentación y una clavija de tres terminales. Para reducir al máximo el peligro de choque eléctrico, el cable debe estar conectado a una conexión de pared con conexión a tierra, y esta conexión debe hacerse de acuerdo con la última edición del Código Eléctrico Nacional (ANSI/NFPA 70), así como con los códigos y reglamentos locales. Si no existe una conexión de pared adecuada, el cliente tiene la responsabilidad y la obligación de mandar instalar, con un electricista calificado, una conexión de pared adecuada de tres terminales con conexión a tierra.

115V~	230V~	
		<p>El cable de alimentación puede incluir un dispositivo interruptor de corriente. La carcasa del enchufe cuenta con un botón de prueba y otro de reinicio. El dispositivo debe comprobarse periódicamente presionando primero el botón TEST y después RESET. Si el botón TEST no se desconecta o si el botón RESET no permanece activo, suspenda el uso del aire acondicionado y póngase en contacto con un técnico de servicio cualificado.</p>

**NOTA:** La forma puede ser diferente según su modelo.

Utilice el enchufe de la pared	Consumo de Energía
 <p>Standard 125V, enchufe de 3 Líneas de 15A, 125V AC</p>	<p>Utilice un fusible de 15AMP. o un Interruptor de 15AMP.</p>
 <p>Standard 250V, enchufe de 3 Líneas de 15A, 250V AC</p>	
 <p>Standard 250V, enchufe de 3 Líneas de 20A, 250V AC</p>	<p>Utilice un fusible de 20AMP. o un Interruptor de 20AMP.</p>

**⚠ ADVERTENCIA**



**Peligro de choque eléctrico**

Conecte en una conexión de pared de 3 terminales  
 No quite la terminal de conexión a tierra  
 No use adaptadores  
 No use cable eléctrico de extensión  
 Si no se siguen estas instrucciones, puede ocasionarse la muerte, un incendio o un choque eléctrico.

# INSTALACIÓN

## REQUERIMIENTOS PARA INSTALACIÓN

Su equipo de aire acondicionado se instalará en ventanas estándar de doble panel con anchos de abertura libre de 737 mm a 1041 mm (29 a 41 pulgadas). (Figura 1)

El marco inferior debe abrirse lo suficiente para permitir una abertura vertical libre de 457 mm (18 pulgadas). Las rejillas desviadoras laterales y la parte posterior del equipo de aire acondicionado deben tener un espacio libre de aire para permitir suficiente flujo de aire a través del condensador para así eliminar el calor. La parte posterior de la unidad debe quedar al aire libre, no dentro de un edificio o garaje.

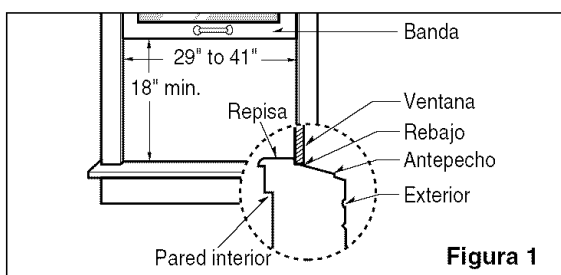


Figura 1

## SERVICIO ELECTRICO

Compruebe cuál es la alimentación eléctrica que llega a su domicilio. La alimentación eléctrica disponible debe ser la misma que se muestra en la placa del fabricante de la unidad (que se halla en el lado derecho del gabinete de corriente alterna).

Todos los modelos están equipados con un enchufe de tres espigas para suministrar un servicio correcto y una conexión a tierra segura y positiva. No cambie el enchufe de ninguna forma. No use un enchufe adaptador. Si su toma de corriente de pared actual no puede usarse con el enchufe del equipo, llame a un electricista calificado para que efectúe las correcciones necesarias.

CONSERVE LA CAJA y este MANUAL DEL PROPIETARIO para que le sirva como referencia en el futuro. La caja es la mejor manera de conservar la unidad durante el invierno o cuando no está en uso.



## CUIDADO

Para evitar el riesgo de lesiones personales, daños a su propiedad, o daños al producto debido al peso de este equipo y los filos a que serán expuestos:

- El aire acondicionado del que se habla en este manual afirma peligro de peso excesivo. Dos o más personas se requiere para mover e instalar la unidad. Para evitar heridas o agotamiento, use técnicas apropiadas para levantar y mover la unidad.
- Cuidadosamente inspeccione el lugar donde el aire acondicionado será puesto. Asegurese que el lugar sostenga el peso de la unidad sobre un periodo de tiempo prolongado.
- Mantenga su aire acondicionado con cuidado. Use guantes protectores cuando levante o mueva la unidad. EVITE las aletas filosas de metal en el serpentín delantero y de atrás.
- Asegurese que el aire acondicionado no se caiga durante la instalación.

## INSTALACIÓN PIEZAS DE MONTAJE

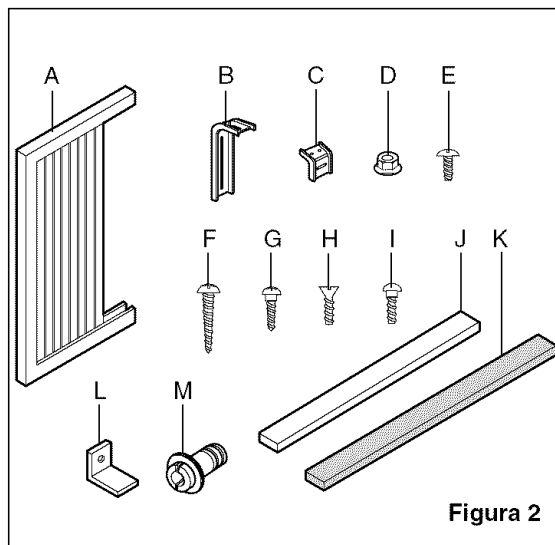


Figura 2

ÍTEM	NOMBRE DE LAS PIEZAS	CANTIDAD
A	PANEL DE GUÍA	2
B	SOPORTE	2
C	SOPORTE DE ANTEPECHO	2
D	CONTRATUERCA	4
E	TORNILLO: 25/64"	11
F	TORNILLO: 1 3/16"	7
G	TORNILLO: 9/16"	5
H	TORNILLO M	2
I	BULÓN	2
J	CINTA DE ESPUMA	1
K	CINTA DE ESPUMA	1
L	SOPORTE DE CERRADURA	1
M	TUBO DE DRENAJE	1

## HERRAMIENTAS REQUERIDAS

- Guantes apretados
- Destornillador normal
- Destornillador Phillips
- Pintas
- Cuchillo filoso
- Llave inglesa o llave abierta de 3/8"
- Llave hexagonal de cubo y trinquete de 1/4 de pulgada
- Cinta para medir
- Taladro electrico
- Broca de taladro de 1/4"

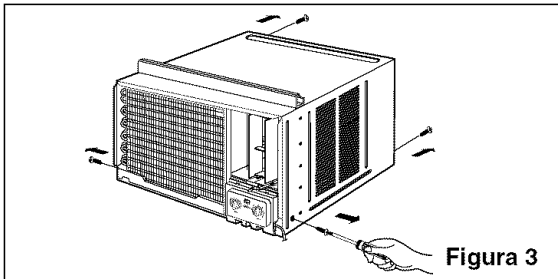
# INSTALACIÓN

## INSTALACIÓN

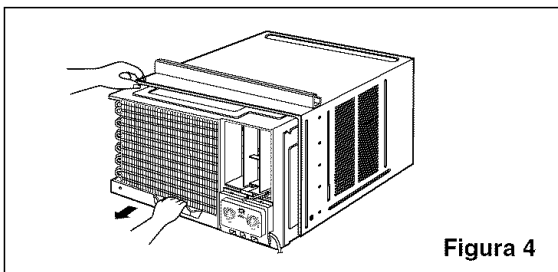
Escoja un lugar que le permita llevar el aire frío al área que desea. Las ventanas que se usen para la instalación deben tener la resistencia suficiente para soportar el peso del equipo de aire acondicionado. Una buena instalación con atención especial a la correcta posición de la unidad disminuirá la probabilidad de que sea necesario efectuar reparaciones. Cuando se desea enfriar más de una habitación, la instalación es muy importante si el aire acondicionado está bloqueado por un marco de la contraventana vea el paso 16 en la página 8 antes de comenzar la instalación. Para enfriar sus habitaciones, el aire frío debe desplazarse desde el equipo de aire acondicionado en una trayectoria recta.

## CÓMO INSTALARLO

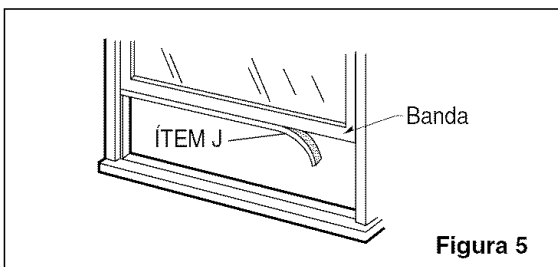
- 1 Saque los tornillos que aseguran el gabinete en ambos lados y en la parte posterior.



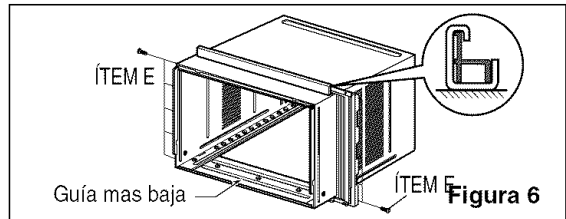
- 2 Deslice la unidad sacándola de su gabinete agarrando el asa del recipiente de la base y tirando de ella hacia delante mientras sostiene el gabinete.



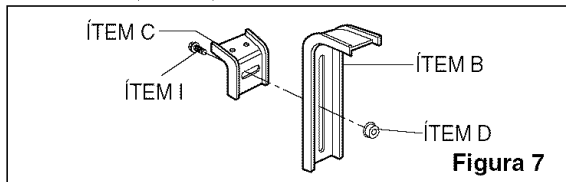
- 3 Corte la cinta de espuma (ÍTEM J) a la extensión apropiada. Despegue el refuerzo y peguelo en el lado de abajo del marco de la ventana.



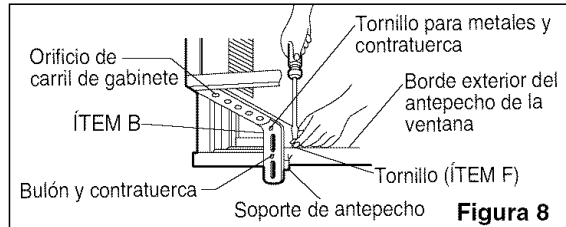
- 4 Inserte los paneles de guía (ÍTEM A) en la guía superior y las guías de marco del equipo de aire acondicionado. Sujete las cortinas en la unidad con los tornillos (ÍTEM E)



- 5 Abra la ventana. Marque una línea en el centro de la repisa de la ventana entre los moldes de tope lateral de la ventana. Fije sin apretar el soporte de antepecho (ÍTEM C) al otro soporte (ÍTEM B) usando el bulón (ÍTEM I) y la contratuerca (ÍTEM D).

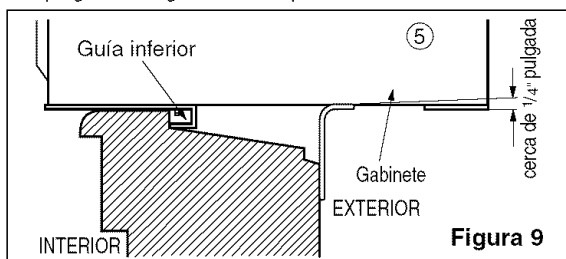


- 6 Fije el soporte de antepecho al antepecho a la ventana usando los tornillos (ÍTEM F). Coloque cuidadosamente el gabinete sobre la repisa de la ventana y alinee la marca del centro en la parte frontal inferior con la línea central marcada en la repisa de la ventana.



- 7 Usando el tornillo M (ÍTEM H) y la contratuerca (ÍTEM D), fije el soporte al orificio de carril del gabinete. Use el primer orificio de carril después del soporte de antepecho en el borde exterior del antepecho de ventana. Apriete el bulón y la contratuerca. Asegúrese de que el gabinete se incline hacia fuera 1/4 de gota usando el nivel. (Figura 9)

**CUIDADO:** No perforo un orificio en el recipiente inferior. La unidad está diseñada para operar con aproximadamente 1/2 pulgada de agua en el recipiente inferior.

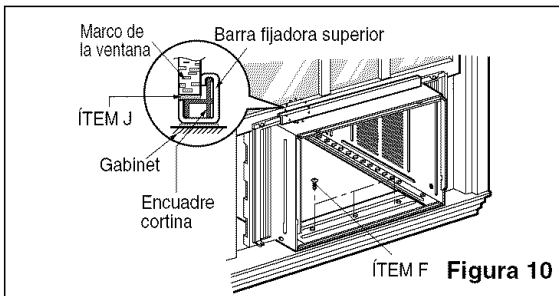


# INSTALACIÓN

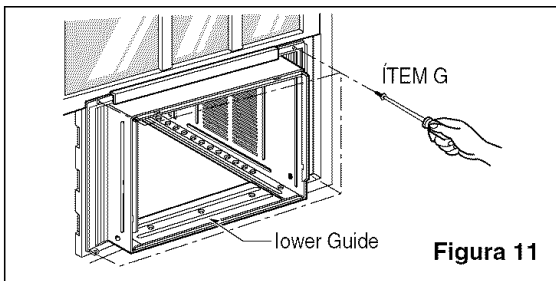
**8** Tire del marco inferior de la ventana hacia abajo detrás de la guía superior hasta que se encuentre la guía con el marco.

**NOTA:**

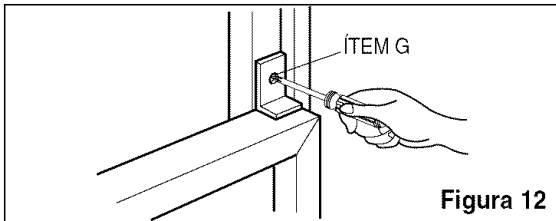
- No tire del marco de la ventana tan hacia abajo que restrinja el movimiento de las correderas. Fije el gabinete a la repisa de la ventana atornillando los tornillos (ÍTEM F) a través del gabinete en la repisa de la ventana.
- El gabinete debe instalarse 1/4 de gota de nivel, hacia abajo y hacia fuera.



**9** Extienda el panel hasta llenar el hueco. Fije cada panel guía en el marco de la ventana usando dos tornillos (ÍTEM G). (Figura 11)



**10** Se debe instalar el asa antes de fijar el frente decorativo. (Figura 12)



**11 DREANJE**

En la parte posterior de la unidad de aire acondicionado hay un orificio de drenaje. Seleccione un método de drenaje según las siguientes instrucciones:

- Saque del recipiente de base la goma del orificio.
- Conecte una manguera de drenaje de 9/16" de pulgada de diámetro interno al tubo de drenaje como se muestra.

- Conecte un codo de tubo de 9/16" de pulgada de diámetro interno al tubo de drenaje, conecte seguidamente una manguera de drenaje de 9/16" de pulgada de diámetro interno al codo del tubo como se muestra. (El equipo de aire acondicionado no viene con una manguera de drenaje.)

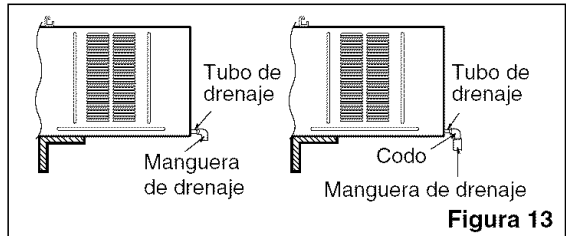


Figura 13

**12** Deslice el chasis hacia el interior del gabinete. (Figura 14)

**CUIDADO:** Con fines de seguridad, vuelva a instalar los tornillos en los lados del gabinete.

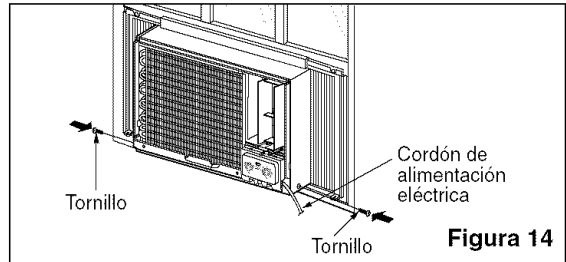


Figura 14

**13** Corte la junta hermética de espuma (ÍTEM K) para que tenga la longitud apropiada e insértela entre el marco superior y el marco inferior de la ventana. (Figura 15)

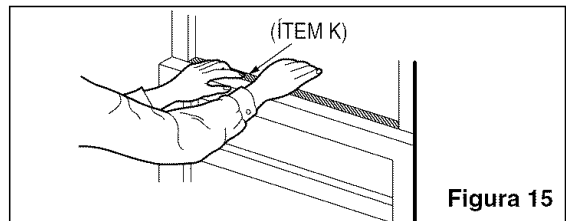


Figura 15

**14** Ajuste el asa antes de fijar el frente decorativo. (Figura 15)

Enderence el kit de ventilacion como se indica, halando hacia debajo de la parte (A) llevandola en la linea horizontal con la parte (B).

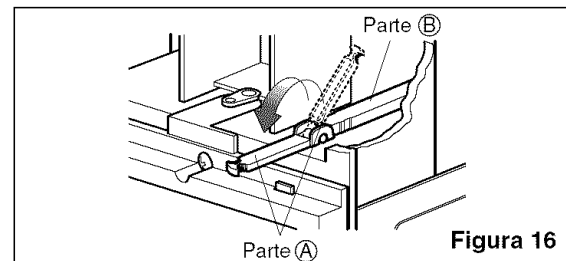


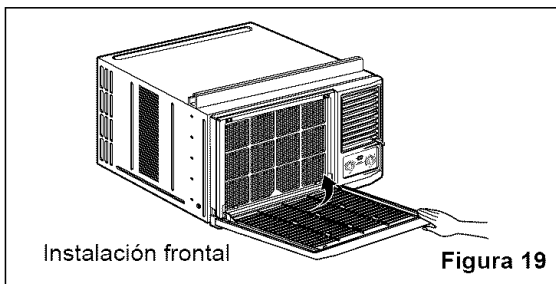
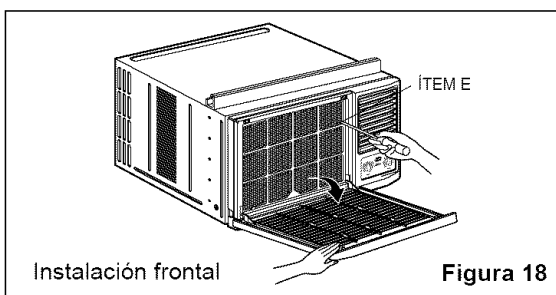
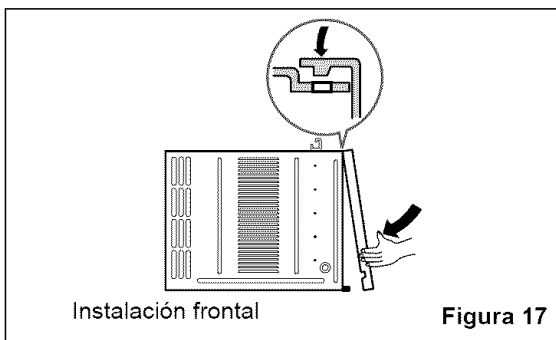
Figura 16

# INSTALACIÓN

## 15 INSTALACIÓN FRONTAL

Instale la rejilla frontal con el gabinete de la siguiente manera:

- Tire de la rejilla frontal hacia abajo desde la parte superior del gabinete. (Figura 17)
- Empuje las puntas de la rejilla frontal hacia el gabinete para insertar las lengüetas de la rejilla dentro del gabinete. (Figura 17)
- Abra la rejilla de entrada. (Figura 18)
- Apriete el tornillo (ÍTEM E) a través de la rejilla frontal fijándolo al recipiente de base (Figura 18)
- Cierre la rejilla de entrada. (Figura 19)

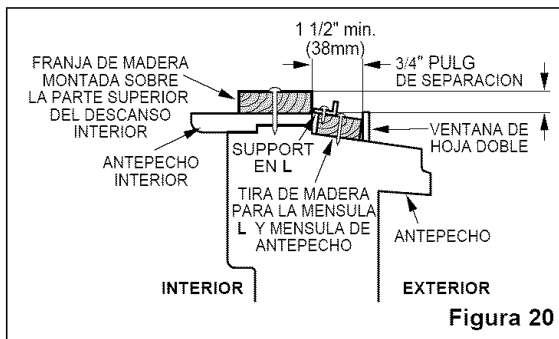


## 16 SI EL ACONDICIONADOR DE AIRE ESTA BLOQUEADO POR EL MARCO DE LA CONTRAVENTANA

- Si la contraventana interfiere, fije un listón de madera de 2" de ancho al alféizar interior de la ventana, que atraviese la anchura total del alféizar. El listón de madera debe ser suficientemente grueso para levantar la altura del alféizar de la ventana de tal manera que la unidad pueda ser instalada sin la interferencia del marco de la contraventana. Vea la Figura 20.

La parte superior del listón de madera debe ser aproximadamente 3/4" más alto que el marco de la contraventana o el listón de madera (fuera de la casa) para que el vapor emanado de la unidad pueda drenar adecuadamente hacia el exterior.

- Instale un segundo listón de madera (de aproximadamente 6" de largo y 1 1/2" de ancho y del mismo grosor del primer listón) en el centro del alféizar exterior nivelado con la parte posterior del alféizar interior. Atornille los soportes L entre la faja. Esto levantará el soporte L como se muestra en la Figura 20.



## La ELIMINACION DE la VENTANA

- Apague el acondicionador aéreo.
- Quite el grille anterior. Vea COMO A REEMPLAZA EL GRILLE ANTERIOR. Refiérase a página 34.
- Destornille el tornillo del lado que usted instaló en el Paso 12.
- Deslice el acondicionador aéreo fuera del gabinete. TENGA CUIDADO no A LA GOTA. Tenga en lo firmemente la manera entera que desliza fuera. Una vez quitado, lo puso seguridad fuera de la manera.
- Quite el paréntesis L del marco de ventana y el sello de banda de entre el windows.
- Destornille las cortinas del lado del marco de ventana. Dóblelos apoyan a los lados del gabinete.
- Quite el tornillo conectar gabinete al alféizar interior. Tenga cuidado no a permitió que gabinete fallara una vez tornillos se quitan.
- Quite gabinete de abrir de ventana.
- Coloque el acondicionador aéreo en el gabinete. Vuelva a instalar los tornillos del lado y Grille Anterior.
- Coloque la unidad y toda ferretería de la asamblea en el cartón aéreo del envío del acondicionador, y en la tienda en limpia, seca el lugar.



## CUIDADO

- El aire acondicionado del que se habla en este manual afirma peligro de peso excesivo. Dos o mas personas se requiere para mover e instalar la unidad. Para evitar heridas o agotamiento, use tecnicas apropiadas para levantar y mover la unidad.
- Al manejar la unidad, tenga cuidado para evitar cortarse con las alertas metálicas afiladas que están en los serpentines frontal y posterior.
- Asegurese que el aire acondicionado no se caiga durante la instalacion.

# OPERACIÓN

## CÓMO Y POR QUÉ

Su equipo de aire acondicionado de habitación brinda las siguientes funciones para hacer que la vida en climas cálidos sea más confortable:

- Enfría y hace circular el aire por la habitación
- Disminuye la humedad eliminando la humedad excesiva.
- Filtra el polvo, el sucio y algunas impurezas transportadas en el aire del clima veraniego.

El equipo de aire acondicionado realiza estas funciones haciendo pasar el aire del medio ambiente a través de un filtro que atrapa las partículas de polvo y sucio. El aire pasa entonces por un serpentín de enfriamiento que refrigera el aire y elimina el exceso de humedad. El mismo aire regresa entonces al enfriador, secador y limpiador del aire del ambiente. La humedad extraída del aire ambiente es llevada al exterior y evaporada.

Su aire acondicionado está diseñado para operar y suministrar una enorme potencia de enfriamiento.

## SONIDOS NORMALES Figura 21

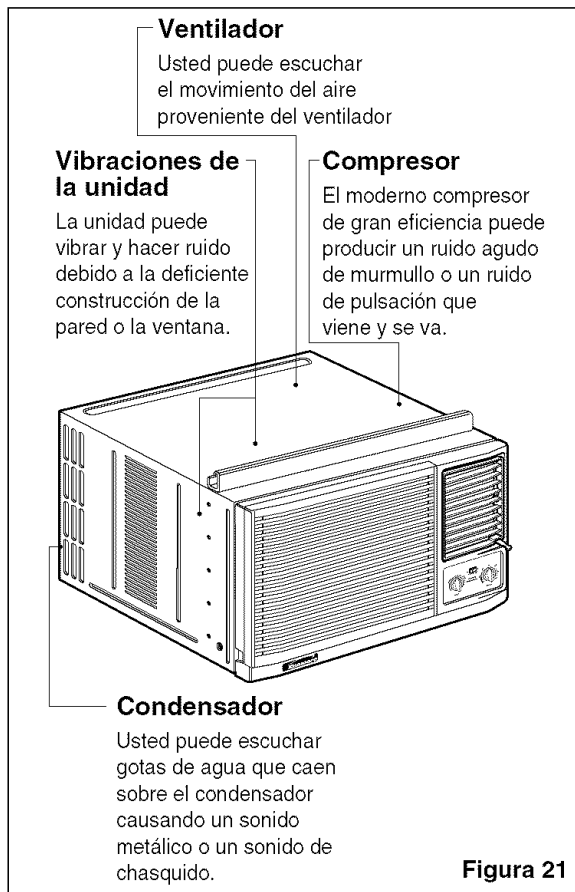
Además de los sonidos regulares del motor del ventilador y el compresor que salen de su equipo de aire acondicionado, usted escuchará de vez en cuando un sonido metálico. Este sonido es producido por la humedad que es recogida del aire en el ambiente y es lanzada contra el ventilador del equipo de aire acondicionado. Esto es algo normal que no debe ser motivo de preocupación. De igual modo, no se alarme si usted escucha un ligero sonido de silbido o borboteo proveniente de su equipo de aire acondicionado después que lo apaga. Estos son ruidos normales del refrigerante.

## CAPACIDAD Y TIEMPO DE FUNCIONAMIENTO

Al decidir cuál debe ser la comodidad deseada para el área que usted quiere enfriar, es importante determinar el tamaño correcto de la unidad. El tamaño adecuado es determinado por el número de metros cuadrados que tiene el área que se desea enfriar, así como por la temperatura interior y exterior y por la humedad.

Siempre que la carga térmica del ventilador esté por encima de lo normal, el equipo de aire acondicionado debe funcionar más tiempo para mantener la temperatura deseada que usted ha seleccionado. Bajo condiciones de una carga térmica muy pesada, puede ser necesario que el equipo de aire acondicionado funcione constantemente para mantener la temperatura deseada.

En ocasiones, el uso de HIGH FAN para hacer circular el aire por la habitación hace que el ambiente sea más confortable aun cuando el equipo no esté enfriando el aire. Mientras más tiempo y con mayor frecuencia funcione el equipo de aire acondicionado, más electricidad consumirá y mayores serán los costos de su uso.

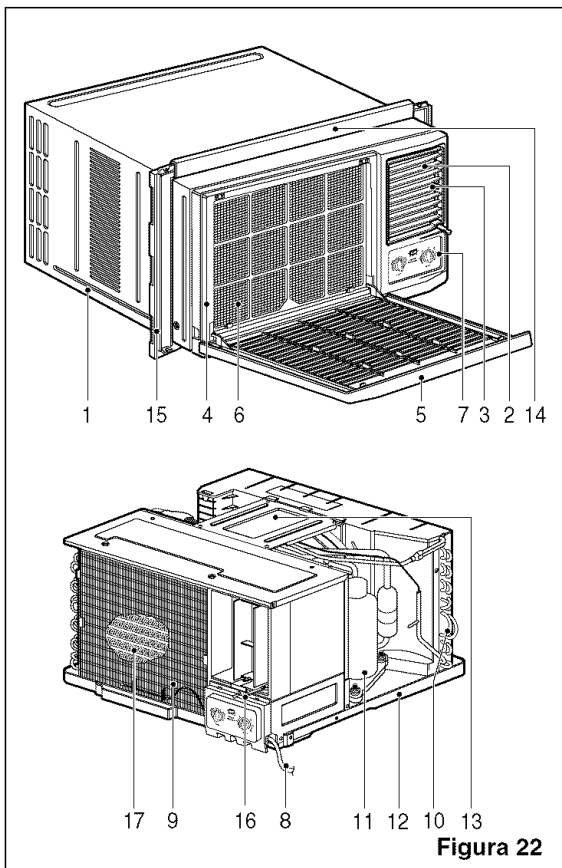


## VALVULA DE DRENAJE DEL AGUA

Cuando la temperatura exterior cae por debajo de los 58°F y la unidad está ajustada para la calefacción, una válvula de drenaje se abre para liberar el agua del colector de la base. Esto es normal y previene el agua de que se congele dentro del colector de la base y que se interfiera con el ventilador del exterior.

# OPERACIÓN

## CARACTERÍSTICAS



1. Gabinete
2. Deflector vertical de aire
3. La Dirección Aérea horizontal Louvers
4. Grille anterior
5. Rejilla de entrada
6. Filtro del aire
7. Tablero de control
8. Cordón de alimentación eléctrica
9. Evaporador
10. Condensador
11. Compresor
12. Recipiente de base
13. Puntal
14. Guía superior
15. Cortina
16. Descargar el Control
17. Calentador eléctrico

## USO DEL EQUIPO DE AIRE ACONDICIONADO

**⚠ ADVERTENCIA** Para reducir el riesgo de incendio, descargas eléctrica o lesiones personales, lea las IMPORTANTES INSTRUCCIONES DE SEGURIDAD antes de operar este aparato.

**Para comenzar a utilizar el equipo de aire acondicionado, siga estos pasos:**

1. Enchufe el equipo de aire acondicionado. (Para prevenir riesgos de descargas eléctricas, no use un cable de extensión ni un enchufe adaptador.)
2. Ajuste el extractor de aire en la posición CERRADA
3. Ajuste el control de MODE al más alto nivel fresco.
4. Ajuste el control del ventilador al más alto nivel.
5. Ajuste las rejillas desviadoras para lograr un flujo cómodo de aire con la lengüeta de control.
6. Una vez que la habitación se haya enfriado, ajuste el control de temperatura TEMP a la graduación que usted considere más confortable.

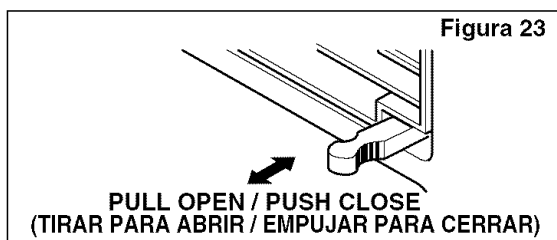
**NOTA:** Si se apaga el aire acondicionado, espere 3 minutos antes de volver a encenderlo. Esto permite que se establezca la presión dentro del compresor. Si no sigue estas instrucciones, el equipo podría funcionar con poca eficiencia.

Si usted mueve el TEMP el control a un warmer, entonces inmediatamente espalda a una colocación más fresca, la unidad apagará. Espere 3 minutos.

### CONTROL DE VENTILACIÓN

El control de ventilación permite que el equipo de aire acondicionado haga recircular el aire en el interior de la habitación (CLOSE) o saque el aire hacia el exterior (OPEN). (Figura 23)

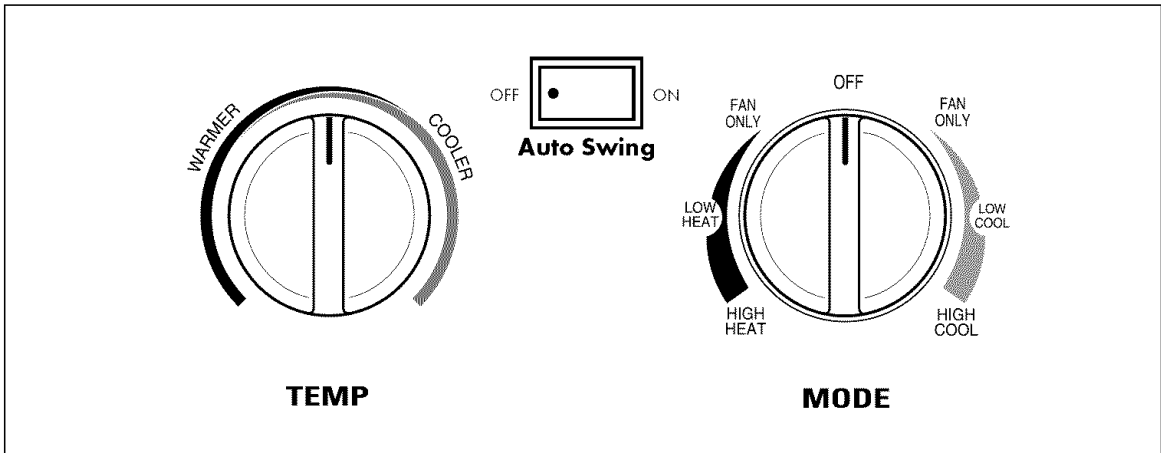
- La posición CLOSE sirve cuando se desea un enfriamiento máximo. También puede usarse para hacer recircular el aire sin enfriar la habitación cuando el equipo de aire acondicionado se ajusta en la posición FAN.
- La posición OPEN extrae el aire estancado de la habitación y lo expulsa hacia fuera. El aire fresco es llevado hacia el interior de la habitación a través de los pasajes normales de aire que se hallan en los hogares.
- La posición OPEN o CLOSE puede usarse con cualquier selección de ventilador.



# OPERACIÓN

## CARACTERÍSTICAS DEL EQUIPO DE AIRE ACONDICIONADO

Los controles que se explican en este manual son representativos de muchos modelos disponibles a la venta en el mercado. Su modelo puede tener un aspecto ligeramente diferente.



### TEMPERATURA

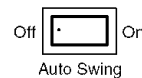
El control de la temperatura está para mantener la temperatura de la habitación. El compresor circulará y dejará de circular para mantener la habitación en el mismo nivel de comodidad. Gire la manija al sentido de la manecilla del reloj hacia **COOLER** [Enfriador] (azul) y el aire del interior se volverá fresco. Gire la manija al sentido contrario de la manecilla del reloj hacia **WARMER** [Calefactor] (rojo) y el aire del interior se volverá cálido.

### MODO

- OFF : Apaga el aire acondicionado.
- FAN ONLY : Permite el funcionamiento del ventilador a baja velocidad sin enfriar (calentar).
- LOW COOL : Permite el enfriamiento con el funcionamiento del ventilador a baja velocidad.
- HIGH COOL : Permite el enfriamiento con el funcionamiento del ventilador a alta velocidad.
- LOW HEAT : Permite el calentamiento con el ventilador a baja velocidad.
- HIGH HEAT : Permite el calentamiento con el ventilador a alta velocidad.

### AUTO SWING (Oscilacion Automatica)

- On : (Encendido) La oscilación de aire es operada mientras la perilla Operation (operación) se coloca en la posición Cool (enfriamiento).
- Off : (Apagado) Detiene la operación de la oscilación de aire.



### CONTROL DE DIRECCIÓN VERTICAL DEL AIRE

La dirección vertical del aire se ajusta moviendo la rejilla horizontal hacia delante o hacia atrás.

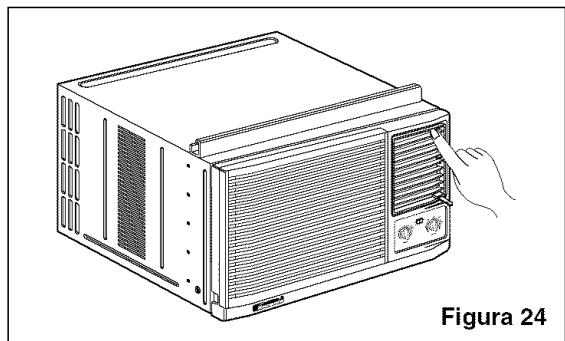


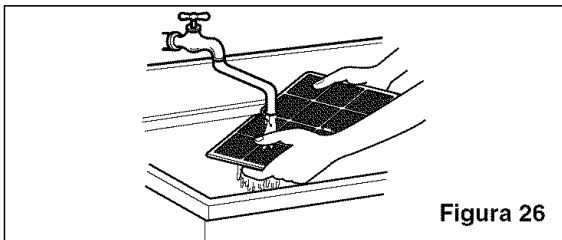
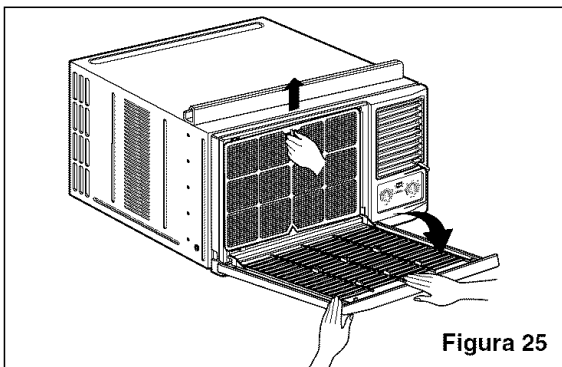
Figura 24

# MANTENIMIENTO

## LIMPIEZA DEL FILTRO DEL AIRE

El filtro del aire se irá ensuciando a medida que va atrapando el polvo proveniente del aire interior. Es preciso lavar el filtro del aire al menos cada dos semanas. Si el filtro del aire permanece lleno de polvo, el flujo de aire disminuirá y se reducirá la capacidad de enfriamiento del equipo, con posibles daños para la unidad. (Figura 25)

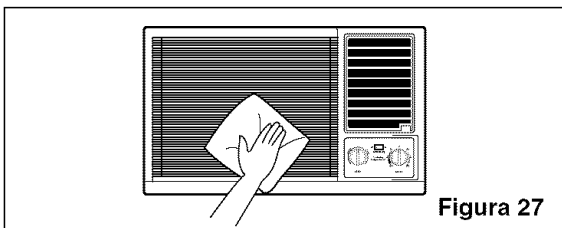
- Tire de la rejilla de entrada hacia delante agarrando ambas lengüetas y tire del filtro del aire hasta sacarlo.
- Lave el filtro del aire en agua tibia a. Asegúrese de eliminar toda el agua sacudiendo el filtro antes de volver a ponerlo en su posición. (Figura 26)



## LIMPIEZA DEL EQUIPO DE AIRE ACONDICIONADO

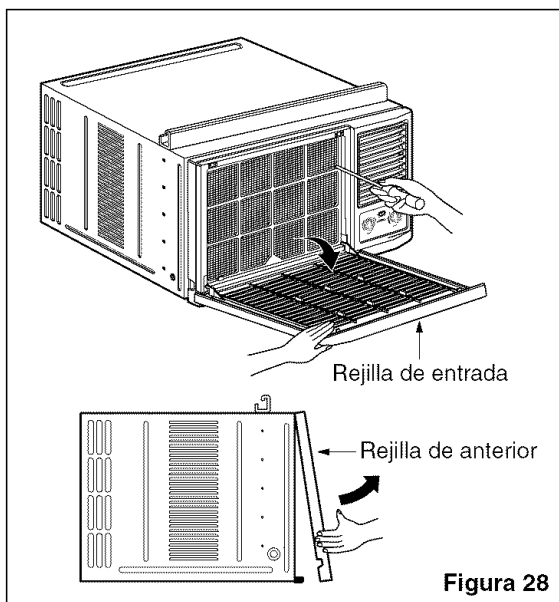
La rejilla frontal y la rejilla de entrada del aire pueden lavarse con un paño humedecido en una solución de detergente suave. El gabinete puede lavarse con un jabón o detergente suave y agua tibia, seguidamente puede pulirse con cera líquida especial para electrodomésticos.

Para asegurar una eficiencia máxima continua, los serpentines del condensador (lado de enfrente de la unidad) deben revisarse periódicamente y limpiarse si están obstruidos con hollín o con sucio de la atmósfera.



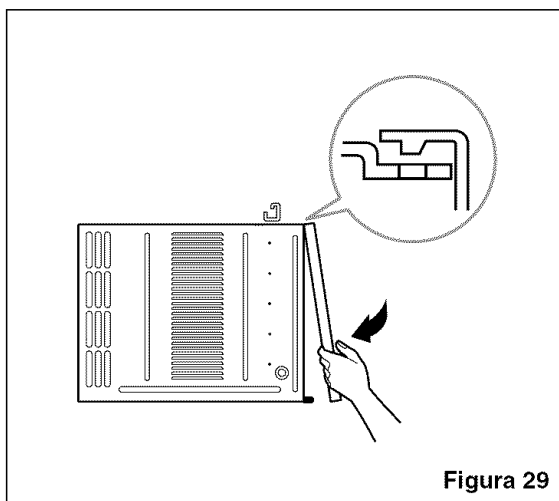
## CÓMO A REEMPLAZA EL GRILLE ANTERIOR

- Saque el tornillo que mantiene la rejilla frontal en posición.
- Quite el tornillo que asegura la reja delantera.
- Empuje la rejilla hacia arriba de abajo y jale la parte de arriba de la rejilla lejos de la base para levantar las lengüetas de arriba hacia afuera de las ranuras.



## CÓMO A REEMPLAZA EL GRILLE ANTERIOR

Pegue el panel frontal a la caja insertando los fijadores en el panel adentro las aberturas de la caja.



# CORRECCIÓN DE FALLAS

## ANTES DE LLAMAR PARA SERVICIO

Cheque la siguiente lista para asegurarse si en realidad es necesario llamar para servicio. Una referencia rápida a este manual puede evitar una llamada para servicio innecesaria.

### EL EQUIPO DE AIRE ACONDICIONADO NO FUNCIONA.

El enchufe no está conectado en la toma de corriente de pared.	Conecte el enchufe firmemente en la toma de corriente de pared.
El fusible está quemado o el interruptor de circuito se ha disparado.	Reemplace el fusible dañado con un fusible de acción retardada o reajuste el interruptor de circuito.
El selector del ventilador MODE está en la posición de OFF.	Ponga el selector en la posición de COOL.
La unidad se apagó y se volvió a encender demasiado rápido.	Apague la unidad y espere 3 minutos antes de volver a encenderla.
El control de temperatura TEMP se ajustó más cálido que la temperatura ambiente.	Gire el control de temperatura en el sentido de las agujas del reloj hasta una graduación más fría (numero mas alto).
El dispositivo interruptor de corriente está desconectado.	Presione el botón RESET situado en el enchufe del cable de alimentación Si el botón RESET no permanece activo, suspenda el uso del aire acondicionado y póngase en contacto con un técnico de servicio cualificado.

### EL AIRE DE LA UNIDAD NO SALE BASTANTE FRÍO.

El selector a una posición más LOW COOL.	Gire el selector a una posición HIGH COOL.
El control de temperatura TEMP se ajustó demasiado cálido (numero mas bajo).	Gire el control de temperatura en el sentido de las agujas del reloj para
La temperatura ambiente está por debajo de los 70° F (21°C)	No puede producirse el enfriamiento hasta que la temperatura ambiente suba por encima de los 70° F (21°C).
El tubo sensor de temperatura está tocando el serpentín evaporador que está situado detrás del filtro del aire.	Enderece el tubo alejándolo del serpentín evaporador.

### EL AIRE ACONDICIONADO ENFRÍA, PERO LA HABITACIÓN SE SIENTE DEMASIADO CÁLIDA; SE FORMA HIELO EN EL SERPENTÍN DE ENFRIAMIENTO DETRÁS DEL PANEL DECORATIVO FRONTAL.

La temperatura ambiente en el exterior está por debajo de los 70°F (21°C).	Para descongelar el serpentín lleve el selector a la posición FAN. Seguidamente, gire el control de temperatura TEMP en el sentido de las agujas del reloj para llevarlo hasta una graduación más cálida.
El filtro del aire puede estar sucio.	Limpie el filtro. Consulte la sección "Mantenimiento". Para descongelar, lleve el selector a la posición FAN.
El control de temperatura se ajustó demasiado frío para el enfriamiento nocturno.	Para descongelar el serpentín, lleve el selector a la posición FAN. Seguidamente ajuste el control de temperatura a una posición más cálida.

### EL AIRE ACONDICIONADO ENFRÍA, PERO LA HABITACIÓN SE SIENTE DEMASIADO CÁLIDA; NO SE FORMA HIELO EN EL SERPENTÍN DE ENFRIAMIENTO DETRÁS DEL PANEL DECORATIVO FRONTAL.

El filtro del aire está sucio con lo que se restringe el flujo del aire.	Limpie el filtro del aire. Consulte la sección "Mantenimiento".
El control de temperatura TEMP se graduó en posición demasiado cálida.	Gire el control de temperatura en el sentido de las agujas del reloj para llevarlo a una graduación más fría. (Número más alto)
La parte frontal de la unidad está bloqueada por cortinas, persianas, muebles etc. que restringen la distribución del aire.	Elimine el bloqueo enfrente de la unidad.
Las puertas, ventanas, rejillas de calefacción, etcétera, están abiertas con lo que se permite el escape del aire frío.	Cierre las puertas, ventanas, rejillas de calefacción, etcétera.
La unidad acaba de encenderse en una habitación caliente.	Permita que transcurra un poco más de tiempo para eliminar el "calor almacenado" en las paredes, el techo, el piso y los muebles.

### EL EQUIPO DE AIRE ACONDICIONADO SE APAGA Y SE ENCIENDE RÁPIDAMENTE .

La temperatura exterior es extremadamente caliente.	Ajuste el MODO en la velocidad ALTA para hacer que el aire pase por la bobina de refrigeración más rápido.
---	--

### SE ESCUCHAN RUIDOS CUANDO LA UNIDAD ESTÁ ENFRIANDO.

El sonido del ventilador al chocar contra el agua del sistema de eliminación de humedad.	Esto es normal cuando la humedad es alta. Cierre las puertas, ventanas y rejillas de calefacción.
Vibración de la ventana; instalación deficiente.	Lea las instrucciones de instalación o consulte al instalador.

### EL AGUA GOTEA DENTRO DE LA HABITACIÓN CUANDO LA UNIDAD ESTÁ ENFRIANDO.

Instalación inadecuada.	Incline ligeramente el equipo de aire acondicionado hacia la parte exterior para permitir el drenaje del agua. Lea las instrucciones de instalación o consulte al instalador.
-------------------------	---

### EL AGUA GOTEA AFUERA CUANDO LA UNIDAD ESTÁ ENFRIANDO.

La unidad está extrayendo grandes cantidades de humedad de una habitación húmeda.	Esto es algo normal durante los días excesivamente húmedos.
---	---

# NOTA

A series of horizontal dotted lines for writing notes.

## Master Protection Agreements

*Congratulations on making a smart purchase.* Your new Kenmore® product is designed and manufactured for years of dependable operation. But like all products, it may require preventive maintenance or repair from time to time. That's when having a Master Protection Agreement can save you money and aggravation.

*Purchase a Master Protection Agreement now and protect yourself from unexpected hassle and expense.*

The Master Protection Agreement also helps extend the life of your new product. Here's what's included in the Agreement:

- Expert service** by our 12,000 professional repair specialists
- Unlimited service and no charge** for parts and labor on all covered repairs
- "No-lemon" guarantee** - replacement of your covered product if four or more product failures occur within twelve months
- Product replacement** if your covered product can't be fixed
- Annual Preventive Maintenance Check** at your request - no extra charge
- Fast help by phone** - phone support from a Sears technician on products requiring in-home repair, plus convenient repair scheduling
- Power surge protection** against electrical damage due to power fluctuations
- Rental reimbursement** if repair of your covered product takes longer than promised

Once you purchase the Agreement, a simple phone call is all that it takes for you to schedule service. You can call anytime day or night, or schedule a service appointment online.

Sears has over 12,000 professional repair specialists, who have access to over 4.5 million quality parts and accessories. That's the kind of professionalism you can count on to help prolong the life of your new purchase for years to come. Purchase your Master Protection Agreement today!

**Some limitations and exclusions apply. For prices and additional information call 1-800-827-6655.**

## Sears Installation Service

*For Sears professional installation* of home appliances, garage door openers, water heaters, and other major home items, in the U.S.A. call **1-800-4-MY-HOME®**

## Acuerdos de Protección Especializada

*¡Enhorabuena! Ha realizado una compra inteligente.* Su nuevo aparato Kenmore® está diseñado y fabricado para ofrecerle años de buen funcionamiento. Sin embargo, al igual que todos los productos, puede precisar un mantenimiento preventivo o incluso alguna reparación de vez en cuando. En esas ocasiones, un Master Protection Agreement puede ayudarle a ahorrar dinero e inconvenientes.

*Adquiera un Master Protection Agreement ahora, y protéjase a sí mismo de molestias y gastos inesperados.* El Master Protection Agreement le ayudará también a prolongar la vida de su nuevo aparato. Los siguientes servicios están incluidos:

- Servicio experto por parte de cualquiera de nuestros** 12.000 técnicos profesionales especialistas de Sears.
- Prestación de servicios sin limitaciones y sin cargarle** las piezas o la mano de obra en todas las reparaciones cubiertas por el acuerdo.
- Garantía seria de sustitución de las piezas** del producto cubierto por el acuerdo, si cuatro o más piezas se mostrasen defectuosas en un periodo de doce meses.
- Sustitución del producto por otro nuevo**, si el defectuoso no pudiese repararse.
- Control de mantenimiento anual preventivo**, siempre que lo desee y sin gasto adicional alguno.
- Asistencia telefónica inmediata** de un técnico especialista en productos que han de ser reparados a domicilio, además de una programación adecuada de la reparación.
- Protección contra subidas de tensión** que provoquen daños eléctricos debidos a las fluctuaciones en el suministro.
- Reintegro del alquiler** si la reparación del producto lleva más tiempo del prometido

Una vez que haya adquirido el Agreement, no necesitará más que una simple llamada para solicitar el servicio de su aparato. Además, podrá hacerlo en cualquier momento del día o de la noche, o solicitar una cita para prestación de servicios online.

Sears cuenta con más de 12.000 técnicos profesionales especialistas en reparaciones, con acceso a más de 4,5 millones de piezas de sustitución y accesorios de calidad. Éste será el tipo de profesionalidad y servicio con el que podrá contar para prolongar la vida de su nuevo producto por muchos años. ¡Adquiera hoy mismo su *Master Protection Agreement!*

**Se aplicarán algunas limitaciones y restricciones.**

**Si desea hacer alguna consulta sobre los precios u otra información adicional, le rogamos llame al teléfono 1-800-827-6655.**

## Servicios de Instalación Sears

*Para solicitar servicios de instalación profesionales de Sears* de electrodomésticos, mandos de apertura de puertas de garajes, calentadores de agua y otros aparatos en los Estados Unidos, puede llamar a **1-800-4-MY-HOME®**

# Get it fixed, at your home or ours!

## Your Home

For repair – **in your home** – of **all** major brand appliances, lawn and garden equipment, or heating and cooling systems, **no matter who made it, no matter who sold it!**

For the replacement parts, accessories and owner's manuals that you need to do-it-yourself.

For Sears professional installation of home appliances and items like garage door openers and water heaters.

**1-800-4-MY-HOME® (1-800-469-4663)**

Call anytime, day or night (U.S.A. and Canada)

[www.sears.com](http://www.sears.com)    [www.sears.ca](http://www.sears.ca)

## Our Home

For repair of carry-in items like vacuums, lawn equipment, and electronics, call or go on-line for the location of your nearest **Sears Parts & Repair Center.**

**1-800-488-1222**

Call anytime, day or night (U.S.A. only)

[www.sears.com](http://www.sears.com)

To purchase a protection agreement(U.S.A.) or maintenance agreement(Canada) on a product serviced by Sears:

**1-800-827-6655** (U.S.A.)

**1-800-361-6665** (Canada)

Para pedir servicio de reparación a domicilio, y para ordenar piezas:

**1-888-SU-HOGAR<sup>SM</sup>**  
(1-888-784-6427)

Au Canada pour service en français:

**1-800-LE-FOYER<sup>MC</sup>**  
(1-800-533-6937)  
[www.sears.ca](http://www.sears.ca)

# SEARS