

SEARS

CRAFTSMAN®

MODEL NUMBER 917.372470

OWNER'S MANUAL

- Assembly
- Operation
- Maintenance
- Service
- Adjustments
- Repair Parts

Caution:
Read and Follow
all Safety Rules
and Instructions
Before Operating
This Equipment



SEARS, ROEBUCK AND Co., Chicago, IL. 60684 U.S.A.

SAFETY RULES



CAUTION: ALWAYS DISCONNECT SPARK PLUG WIRE AND PLACE WIRE WHERE IT CANNOT CONTACT SPARK PLUG TO PREVENT ACCIDENTAL STARTING WHEN SETTING-UP, TRANSPORTING, ADJUSTING OR MAKING REPAIRS TO YOUR LAWN MOWER.



IMPORTANT

FEDERAL REGULATIONS REQUIRE OPERATOR PRESENCE BLADE STOP CONTROLS TO MINIMIZE THE RISK OF BLADE CONTACT INJURY. YOUR LAWN MOWER IS EQUIPPED WITH SUCH CONTROLS. DO NOT ATTEMPT TO DEFEAT THE FUNCTION OF THE OPERATOR PRESENCE CONTROL UNDER ANY CIRCUMSTANCES.

- BE CAREFUL-WHEN THE ENGINE IS RUNNING THE BLADE IS TURNING.
- Please read your owner's manual. Only allow persons who know the safety rules to use your lawn mower.
- DO NOT tie the operator presence control bar to the handle. Control must be free to permit brake engagement when handles and control are released.
- DO NOT allow children to use your lawn mower.
- Check your lawn mower over before each use. Tighten any loose bolts, nuts, etc.
- Remove all sticks, stones, wires, cans, boards, etc. from area to be mowed. These objects can be thrown by the blade.
- DO NOT allow children, bystanders or pets in the area while mowing.
- Always wear shoes when mowing. DO NOT operate lawn mower when barefoot or wearing open sandals.
- Always wear safety glasses or eye shields before starting your lawn mower and while mowing.
- Always shut off engine before trying to adjust wheel heights.
- When engine is running, DO NOT put hands or feet under lawn mower or in the discharge chute, nor make any adjustments.
- Stay clear of discharge opening at all times.
- Do not fill gas tank when engine is running, when indoors or when engine is hot. Allow engine to cool for several minutes before filling gas tank. Clean off any spilled gasoline before starting engine.
- Mow only in good light.
- Always stop blade when not cutting grass or when crossing gravel drive, sidewalk, or roadway.
- DO NOT continue to run your lawn mower if you hit a foreign object. Stop the engine, disconnect the spark plug wire from the spark plug, inspect the lawn mower for damage and make repairs as required.
- DO NOT use a damaged lawn mower. Always have damage repaired before mowing.
- DO NOT run your lawn mower if it vibrates too much. Stop engine and make repairs. Vibration is an indication of damage.
- Never use your lawn mower without proper guards or deflectors in place.
- Always mow across a slope or inclined area. DO NOT mow up or down a slope or inclined area.
- DO NOT mow in wet grass. Be careful of footing when mowing in wet grass, use shoes with good traction.
- DO NOT run with the lawn mower.
- DO NOT run your lawn mower indoors. Exhaust gases are deadly poison.
- Always disconnect the spark plug wire from spark plug to prevent accidental starting when transporting or storing your lawn mower after the mowing season.
- DO NOT attempt to raise engine speed above factory settings. Engine damage or personal injury may result.
- If a grass catcher is used on your lawn mower, check the catcher often for damage or deterioration. It will wear through normal use. Use only a recommended replacement catcher.
- Always stop blade to remove or install catcher.
- DO NOT store your lawn mower or gasoline where fumes may reach an open flame and cause a fire.
- DRAIN THE GASOLINE from your lawn mower before transporting your lawn mower inside your car or other vehicle.



LOOK FOR THIS SYMBOL TO POINT OUT IMPORTANT SAFETY PRECAUTIONS. IT MEANS-- ATTENTION!!! BECOME ALERT!!! YOUR SAFETY IS INVOLVED.

CONGRATULATIONS on your purchase of a Sears Craftsman Lawn Mower. It has been designed, engineered and manufactured to give you the best possible dependability and performance.

Should you experience any problem you cannot easily remedy, please contact your nearest Sears Service Center/Department. We have competent, well-trained technicians and the proper tools to service or repair this unit.

Please read and retain this manual. The instructions will enable you to assemble and maintain your lawn mower properly. Always observe the "SAFETY RULES".

MODEL NUMBER 917.372470

SERIAL NUMBER _____

DATE OF PURCHASE _____

THE MODEL AND SERIAL NUMBERS WILL BE FOUND ON A DECAL ATTACHED TO THE REAR OF THE LAWN MOWER HOUSING.

YOU SHOULD RECORD BOTH SERIAL NUMBER AND DATE OF PURCHASE AND KEEP IN A SAFE PLACE FOR FUTURE REFERENCE.

PRODUCT SPECIFICATIONS

HORSE POWER:	5.0
DISPLACEMENT:	11.57 cu. in.
GASOLINE CAPACITY:	1.5 quart (Unleaded)
OIL (21 oz. Capacity):	SAE 30 or (SAE 10W30)
SPARK PLUG (GAP .030 in.):	Champion RJ19-LM or Sears Z1 33312 or STD 361458
VALVE CLEARANCE: Intake:	.006 in.
Exhaust:	.008 in.
SOLID STATE IGNITION AIR GAP:	.010 in.
BLADE BOLT TORQUE:	35-40 ft.-lbs.

MAINTENANCE AGREEMENT

A Sears Maintenance Agreement is available on this product. Contact your nearest Sears store for details.

CUSTOMER RESPONSIBILITIES

- Read and observe the safety rules.
- Follow a regular schedule in maintaining, caring for and using your lawn mower.
- Follow the instructions under "Maintenance" and "Storage" sections of this Owner's Manual.

TWO YEAR LIMITED WARRANTY ON CRAFTSMAN POWER MOWER

For two years from the date of purchase, when this Craftsman Lawn Mower is maintained, lubricated and tuned-up according to the instructions in the owner's manual, Sears will repair, free of charge, any defect in material and workmanship.

If this Craftsman Lawn Mower is used for commercial or rental purposes, this warranty applies for only 90 days from the date of purchase.

This warranty does not cover:

- Expendable items which become worn during normal use, such as rotary mower blades, blade adapters, belts, air cleaners and spark plug.
- Repairs necessary because of operator abuse or negligence, including bent crankshafts and the failure to maintain the equipment according to the instructions contained in the owner's manual.

WARRANTY SERVICE IS AVAILABLE BY RETURNING THE CRAFTSMAN POWER MOWER TO THE NEAREST SEARS SERVICE CENTER/DEPARTMENT IN THE UNITED STATES. THIS WARRANTY APPLIES ONLY WHILE THIS PRODUCT IS IN USE IN THE UNITED STATES.

This warranty gives you specific legal rights, and you may also have other rights which may vary from state to state.

Sears, Roebuck and Company, D/731CR-W, Sears Tower, Chicago, IL 60684

TABLE OF CONTENTS

SAFETY RULES	2	SERVICE AND ADJUSTMENTS	15
PRODUCT SPECIFICATIONS	3	STORAGE	18
CUSTOMER RESPONSIBILITIES	3	SERVICE RECOMMENDATIONS	19
WARRANTY	3	TROUBLESHOOTING	31
LAWN MOWER ACCESSORIES	5	REPAIR PARTS - LAWN MOWER	20-24
ASSEMBLY	6	REPAIR PARTS - ENGINE	25-29
OPERATION	7	PARTS ORDERING/SERVICE	BACK COVER
MAINTENANCE	12		

INDEX



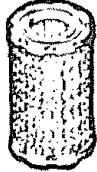
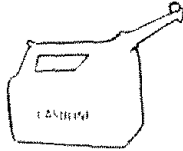


A		H		Operator Presence Control Bar		8	
Accessories	5	Handle:		Options:			
Adjustments:		Adjustment	17	Attachments	5		
Carburetor	16	Assembly	6	P			
Engine Speed	16			Repair Parts			
Handle Height	17	L		Lawn Mower	20-24		
Height of Cut	9	Lubrication:		Engine	25-29		
Air Filter:		Engine	19	R			
Service	14	Rear Door Hinge	19	Responsibilities, Customer	3		
Assembly:		Handle Bracket Mounting Pin	19	S			
Grass Catcher	6	Wheel Adjuster	19	Safety Rules	2		
Handle	6	M		Service and Adjustments:			
B		Maintenance:		Carburetor	16		
Blade:		Agreement	3	Engine Speed	16		
Sharpening	12	Air Filter	14	Handle	17		
Replacement	12	Blade Care/Replacement	12	Service Recommendations	19		
C		Engine	13	Spark Plug	14		
Controls:		Grass Catcher	13	Specifications	3		
Operator Presence Control Bar	8	Lubrication	19	Starting the Engine:			
Drive Control	8	Spark Plug	14	Drive Control	8		
Customer Responsibilities	3	Mowing Tips	11	Stopping the Engine	11		
E		Mowing/Mulching Tips	11	Storage	18		
Engine:		O		T			
Oil Change	13	Oil:		Trouble Shooting Chart	31		
Oil Level	10	Engine	10	W			
Oil Type	10	Storage	18	Warranty	3		
Starting	11	Operation:		Wheels:			
Storage	18	Operating Lawn Mower	7-11	Wheel Adjusters	8		
F		Control Bar	8				
Fuel:		Engine Control	8				
Type	10						
Storage	18						





LAWN MOWER ACCESSORIES

These accessories were available when this lawn mower was produced. They are also available at most Sears retail outlets, catalog and service centers. Most Sears stores can order repair parts for you, when you provide the model number of your lawn mower. Some of these accessories may not apply to your lawn mower.


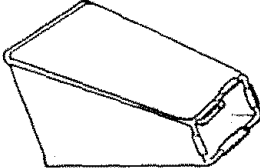
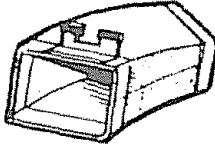
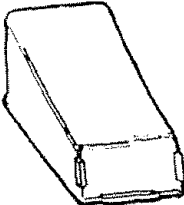
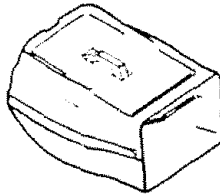
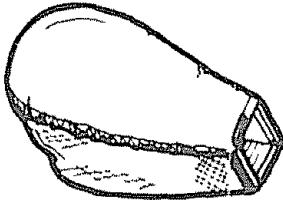
ENGINE

SPARK PLUG 	MUFFLER 	AIR FILTER 	GAS CAN 	ENGINE OIL 	STABILIZER 
--	---	--	--	--	--

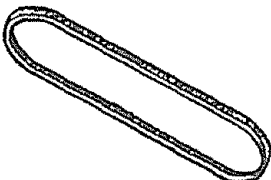
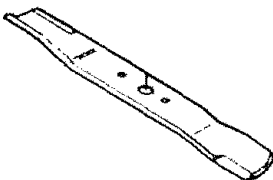
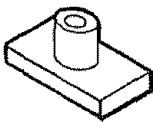
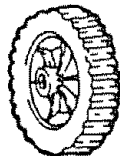

If lawn mower is an electric start

CHARGER 	BATTERY 
---	---

LAWN MOWER PERFORMANCE

REAR BAG OPTIONAL	DUST SHIELD 	LEAF CATCHER 	CLIPPING DEFLECTOR 
REPLACEMENT BAG FOR REAR DISCHARGE LAWN MOWERS	FABRIC BAG 	PERMANEX CATCHER 	
OPTIONAL CATCHER FOR SIDE DISCHARGE LAWN MOWER	SIDE DISCHARGE CATCHER 		

LAWN MOWER MAINTENANCE

BELT	BLADE	BLADE ADAPTER	WHEELS	LAWN MOWER COVER
				

ASSEMBLY

Your lawn mower has been assembled at the factory except for the Grass Catcher Bag and the Grass Catcher Frame.

TO REMOVE LAWN MOWER FROM CARTON

- Remove loose parts included with mower.
- Cut down two end corners of carton and lay end panel down flat.
- Remove all packing materials except upper handle padding.
- Roll lawn mower out of carton and check carton thoroughly for additional loose parts.

HOW TO SET-UP YOUR LAWN MOWER

TO UNFOLD HANDLE

- Raise handles until lower handle section locks into place in mowing position (See Fig. 1).
- Raise upper handle section into place on lower handle, remove protective padding and tighten both handle knobs.
- Remove handle padding holding operator presence control bar to upper handle.
- Your lawn mower handle can be adjusted for your mowing comfort. Refer to "Adjust Handle" in the Service and Adjustment section of this manual.

TO ASSEMBLE GRASS CATCHER

- Put Grass Catcher Frame into Grass Bag with stiff part of Bag on the bottom.
- Slip vinyl bindings over Frame (See Fig. 2).

NOTE: If vinyl bindings are too stiff, hold them in warm water for a few minutes. If Bag gets wet, let it dry before using.

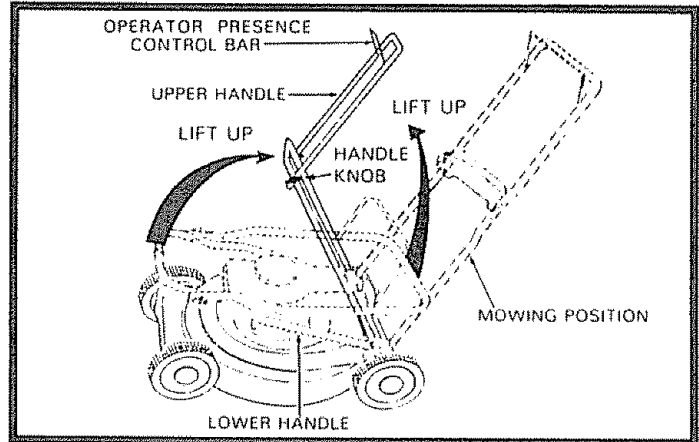


FIG. 1

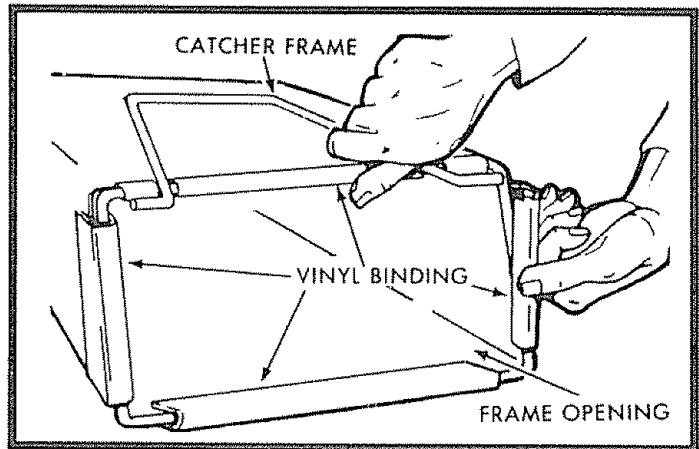


FIG. 2

OPERATION

KNOW YOUR LAWN MOWER

READ THIS OWNER'S MANUAL AND SAFETY RULES BEFORE OPERATING YOUR LAWN MOWER. Compare the illustrations with your Lawn Mower to familiarize yourself with the location of various controls and adjustments. Save this manual for future reference.

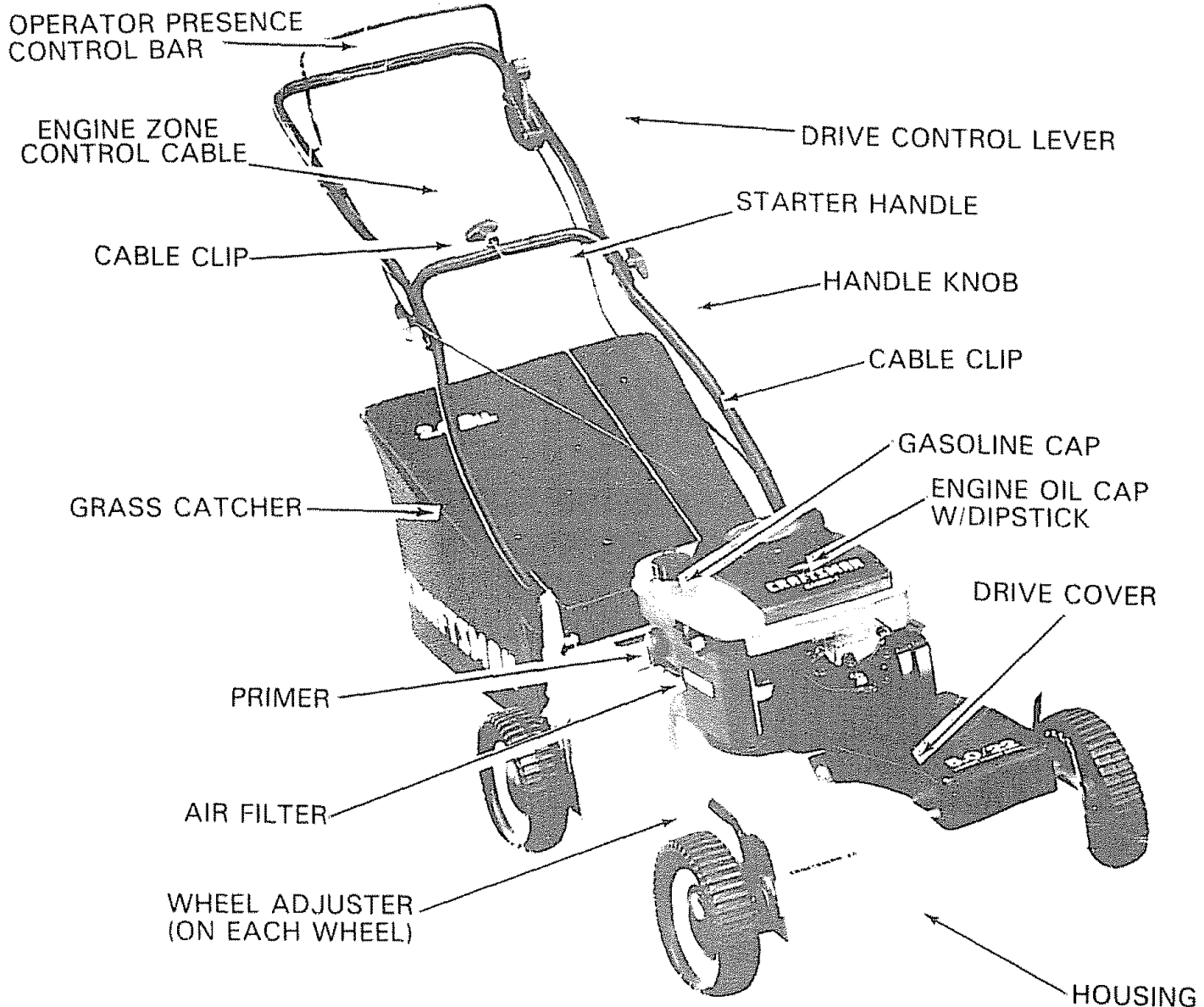


FIG. 3

MEETS CPSC SAFETY REQUIREMENTS

Sears Rotary Walk-Behind Power Lawn Mowers conform to the safety standards of the American National Standards Institute and the U S Consumer Product Safety Commission. The blade turns when the engine is running.

OPERATOR PRESENCE CONTROL BAR - must be held down to the handle to start the engine. Release to stop the engine.

PRIMER - pumps additional fuel from the carburetor to the cylinder for use when starting a cold engine.

DRIVE CONTROL LEVER - used to engage power-propelled forward motion of lawn mower.

STARTER HANDLE - used for starting the engine.

OPERATION

HOW TO USE YOUR LAWN MOWER



DO NOT RUN YOUR LAWN MOWER WITHOUT MULCHER PLATE IN PLACE AND DOOR LATCH IN LOCKED POSITION OR APPROVED CLIPPING DEFLECTOR OR GRASSCATCHER IN PLACE. NEVER ATTEMPT TO OPERATE THE LAWN MOWER WITH THE REAR DOOR REMOVED OR PROPPED OPEN.

ENGINE SPEED

The engine speed is controlled by a lever (red knob) located on the right side of the engine. "HIGH" position is for starting engine, normal cutting and better grass bagging. "LOW" position is for light cutting, trimming and fuel economy (See Fig. 4).

TO INSTALL ATTACHMENTS

Your lawn mower was shipped ready to be used as a mulcher. To install attachments for bagging or discharging:

- Rotate rear door latch clockwise to allow rear door to be opened (See Fig. 5A).
- Open rear door, remove mulcher plate and rotate latch counterclockwise to its original position (See Fig. 5B).
- You can now install catcher or optional clipping deflector.
- To return to mulching operation reverse the above steps. **BE SURE MULCHER PLATE IS INSTALLED AND LATCH IS IN LOCKED POSITION BEFORE USING FOR MULCHING OPERATION.**

TO INSTALL GRASS CATCHER

- Lift the Rear Door on the Lawn Mower Housing and place the Grass Catcher Frame onto the formed up Tabs on the Rear Door Hinge Bracket (See Fig. 6A).
- The Grass Catcher is secured to the Lawn Mower Housing when the Rear Door is lowered onto the Grass Catcher Frame.

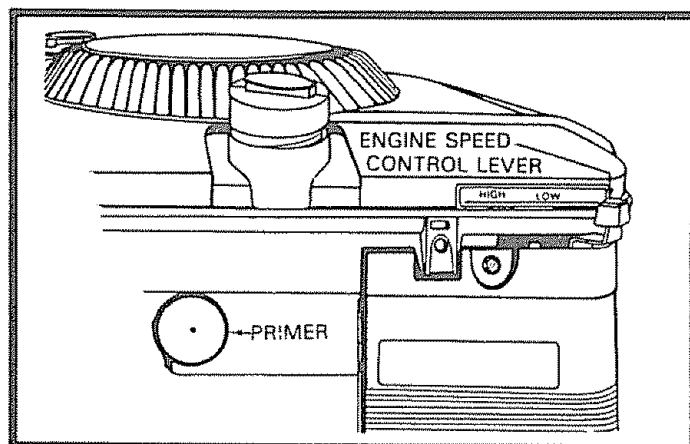


FIG. 4

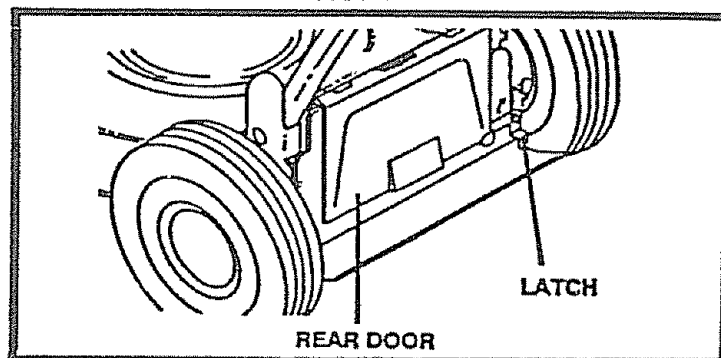


FIG. 5A

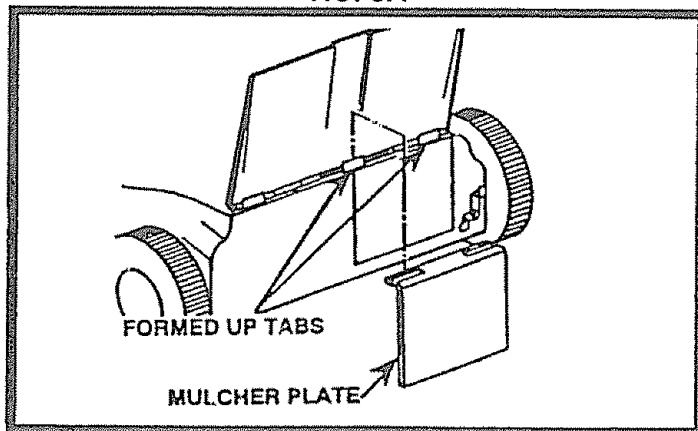


FIG. 5B

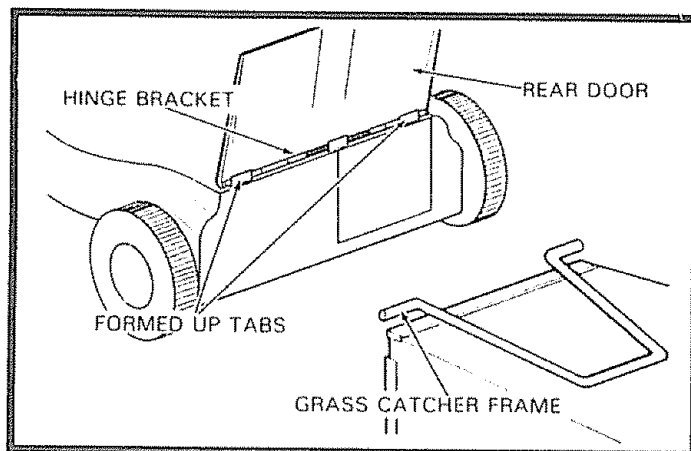


FIG. 6A

OPERATION

TO EMPTY GRASS CATCHER

- To remove Grass Catcher, release Operator Presence Control Bar to stop engine.
- Lift up Rear Door and remove the Grass Catcher by the Handle (See Fig. 6B).
- Do not drag the Bag when emptying; it will cause unnecessary wear.

DRIVE CONTROL

- Self-propelling is controlled by holding the operator presence control bar down to the handle and pushing the drive control lever forward until it clicks; then release the lever (See Fig. 7).
- Forward motion will stop when the operator presence control bar is released. To stop forward motion without stopping the engine, release the operator presence control bar slightly until the drive control disengages. Hold operator presence control bar down to handle to continue mowing without self-propelling.
- To keep drive control engaged when turning corners, push down on handle and lift front wheels off ground while turning lawn mower.

TO ADJUST CUTTING HEIGHT

- Raise wheels for low cut and lower wheels for high cut.
- Wheels are set in low cut for shipping. Adjust cutting height to suit your requirements. Medium position is best for most lawns.
- To change cutting height, squeeze adjuster lever toward wheel. Move wheel up or down to suit your requirements. Be sure all wheels are in the same setting (See Fig. 8).

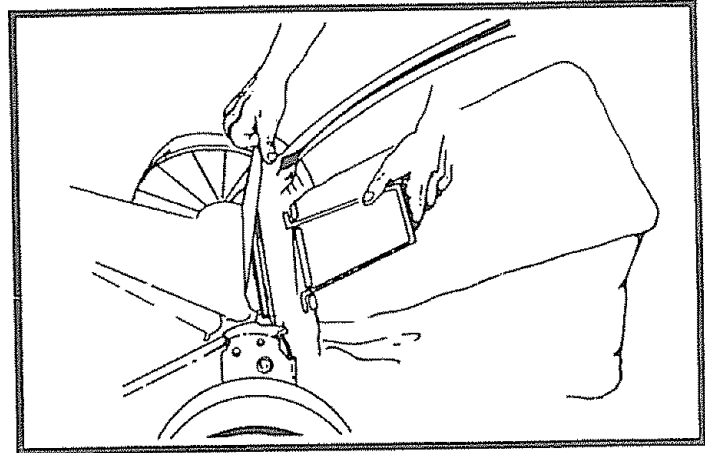


FIG. 6B

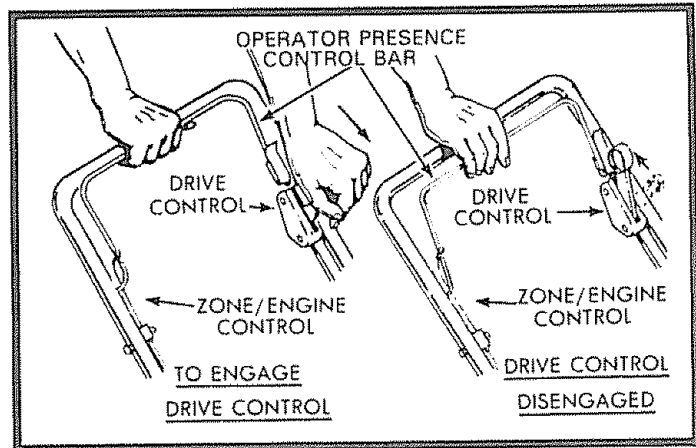


FIG. 7

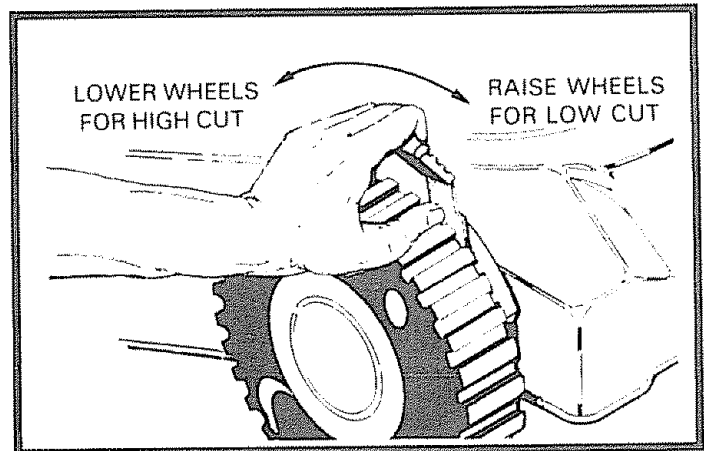


FIG. 8

OPERATION

BEFORE STARTING ENGINE

OIL:

A 20 oz. bottle of Pennzoil SAE 30 Oil is included with your new lawn mower.

- Remove engine oil cap with dipstick (See Fig. 9) and fill to the FULL line on the dipstick.
- Use 20 ozs. of SAE 30 oil. SAE 10W 30 oil can also be used. **DO NOT** use SAE 10W 40 oil.
- **POUR OIL SLOWLY. DO NOT OVER FILL.**
- Check oil level before each use. Add oil if needed. Fill to FULL line on dipstick.
- To read proper level, tighten engine oil cap each time.
- Replace engine oil cap with dipstick and tighten.
- After the first two (2) hours of mowing, change the oil, and every 25 hours thereafter. You may need to change the oil more often under dusty, dirty conditions.

GAS:

- Fill gasoline tank with fresh, clean unleaded gasoline. **DO NOT USE PREMIUM GASOLINE. BE CAREFUL NOT TO OVERFILL TANK (SEE FIG. 9).**

WARNING: Experience indicates that alcohol blended fuels (called gasohol or using ethanol or methanol) can attract moisture which leads to separation and formation of acids during storage. Acidic gas can damage the fuel system of an engine while in storage. To avoid engine problems, the fuel system should be emptied before storage for 30 days or longer. Drain the gas tank, start the engine and let it run until the fuel lines and carburetor are empty. Use fresh fuel next season. See Storage Instructions for additional information.

Never use engine or carburetor cleaner products in the fuel tank or permanent damage may occur.

ENGINE ZONE CONTROL



CAUTION: FEDERAL REGULATIONS REQUIRE AN ENGINE CONTROL TO BE INSTALLED ON THIS LAWN MOWER IN ORDER TO MINIMIZE THE RISK OF BLADE CONTACT INJURY. DO NOT UNDER ANY CIRCUMSTANCES ATTEMPT TO DEFEAT THE FUNCTION OF THE OPERATOR CONTROL. THE BLADE TURNS WHEN THE ENGINE IS RUNNING.

- Your lawn mower is equipped with an Operator Engine Control Bar which requires the operator to be positioned behind the lawn mower handle to start and operate the lawn mower.

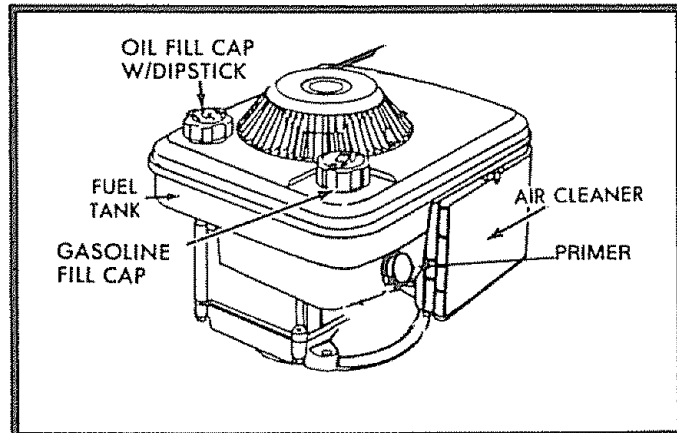


FIG. 9

TO START ENGINE

- To start a cold engine, push primer three (3) times before trying to start. Use a firm push. This step is not usually necessary when starting an engine which has already run for a few minutes.
- Push engine speed control lever to HIGH position.
- Hold operator presence control bar down to the handle and pull starter handle quickly. Do not allow starter rope to snap back.
- To STOP engine, release operator presence control bar.

NOTE: In cooler weather it may be necessary to repeat priming steps. In warmer weather over priming may cause flooding and engine will not start. If you do flood engine wait a few minutes before attempting to start and **DO NOT** repeat priming steps.

OPERATION

MOWING TIPS

- Under certain conditions, such as very tall grass, it may be necessary to raise the height of cut to reduce pushing effort and to keep from overloading the engine and leaving clumps of grass clippings.
- For extremely heavy cutting, reduce the width of cut and raise the rear of the lawn mower housing one (1) wheel adjuster setting higher than the front for better discharge of grass.
- When using a rear discharge lawn mower in moist, heavy grass, clumps of cut grass may not enter the grass catcher. Reduce ground speed (pushing speed) and/or run the lawn mower over the area a second time.
- If a trail of grass clippings is left on the right side of a rear discharge lawn mower, mow in a clockwise direction with a small overlap to collect the clippings on the next pass.
- Pores in cloth grass catchers can become filled with dirt and dust with use and catchers will collect less grass. To prevent this, regularly hose catchers off with water and let dry before using.

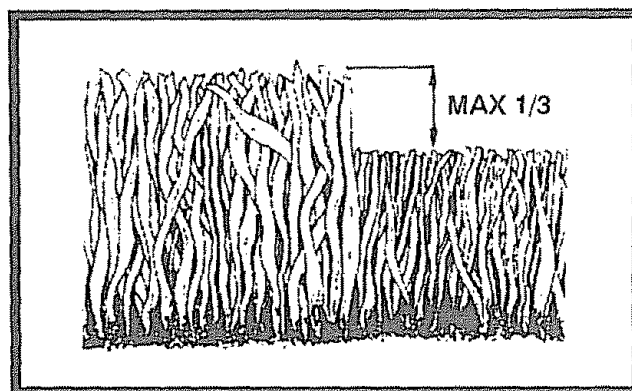


FIG. 10

- For best results, adjust the lawn mower cutting height so that the lawn mower cuts off only the top one-third of the grass blades (See Fig. 10). If the lawn is overgrown it will be necessary to raise the height of cut to reduce pushing effort and to keep from overloading the engine and leaving clumps of mulched grass. For extremely heavy mulching, reduce your width of cut, mow slowly and raise the rear of the lawn mower one wheel adjuster setting higher than the front.
- Certain types of grass and grass conditions may require that an area be mulched a second time to completely hide the clippings. When doing a second cut, mow across or perpendicular to the first cut path.
- Change your cutting pattern from week to week. Mow north to south one week then change to east to west the next week. This will help prevent matting and graining of the lawn.

MULCHING MOWING TIPS

- The special mulching blade will recut the grass clippings many times and reduce them in size so that as they fall onto the lawn they will disperse into the grass and not be noticed. Also, the mulched grass will biodegrade quickly to provide nutrients for the lawn. Always mulch with your highest engine (blade) speed as this will provide the best recutting action of the blades.
- Avoid cutting your lawn when it is wet. Wet grass tends to form clumps and interferes with the mulching action. The best time to mow your lawn is the early afternoon. At this time the grass has dried and the newly cut area will not be exposed to the direct sun.

MAINTENANCE

GENERAL RECOMMENDATION

- Once a year you should replace the spark plug, air filter and check blade for wear. A new spark plug and air filter assures proper air-fuel mixture and helps your engine run better and last longer.
- You should check all fasteners and be sure they are tight.
- Follow the Service Recommendation Schedule on page 19.

LAWN MOWER

BLADE/BLADE ADAPTER CARE

Your lawn mower will work better with a sharp blade.



CAUTION: DISCONNECT SPARK PLUG WIRE FROM SPARK PLUG AND PLACE WIRE WHERE IT CANNOT COME IN CONTACT WITH THE SPARK PLUG.

TO REMOVE BLADE:

- Turn lawn mower on its side. Make sure air filter and carburetor are up.
- Use block of wood between blade and lawn mower housing to prevent blade from turning when removing the blade bolt.
- Protect your hands with gloves and/or wrap blade with heavy cloth.
- Remove blade bolt by turning counter-clockwise. Use a 9/16" box or open-end wrench.
- Remove blade and attaching hardware (bolt, lockwasher and hardened washer) (See Fig. 11).

NOTE: Remove the blade adapter and check the key inside hub of blade adapter. The key must be in good condition to work properly. Replace adapter if damaged.

TO REPLACE BLADE:

- Position the blade adapter on the engine crankshaft. Be sure key in adapter and key way in crankshaft are aligned.
- Position blade on to the blade adapter aligning the two (2) holes in the blade with the raised lugs on the adapter.

NOTE: Be sure the word TOP (stamped on the blade) is toward the engine (See Fig. 11).

- Install the blade bolt with the lockwasher and hardened washer into blade adapter and crankshaft (See Fig. 11).
- Use block of wood between blade and lawn mower housing and tighten the blade bolt, turning clockwise.

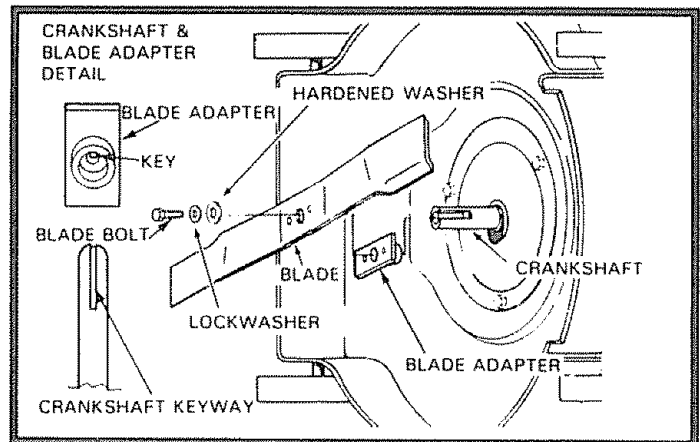


FIG. 11

- The recommended tightening torque is 35-40 ft. lbs.
- Torque wrenches are available at most Sears stores and through the catalog.



CAUTION: A LOOSE BLADE CAN BE DANGEROUS AND MAY MAKE THE ENGINE HARD TO START.

Use only a Sears authorized replacement blade to get the best cutting results.

NOTE: We do not recommend sharpening blade - but if you do, be sure the blade is balanced.

TO SHARPEN BLADE:

- The blade can be sharpened with a file or on a grinding wheel. Do not attempt to sharpen while on the lawn mower.
- Care should be taken to keep the blade balanced. An unbalanced blade will cause excessive vibration when running and eventual damage to lawn mower or engine.
- To check blade balance, drive a nail into a beam or wall. Leave about one inch of the straight nail exposed. Place center hole of blade over the head of the nail. If blade is balanced, it should remain in a horizontal position. If either end of the blade moves downward, blade is not balanced. Sharpen the heavy end until the blade is balanced.

MAINTENANCE

GEAR CASE

- To keep your drive system working properly, the gear case and area around the drive should be kept clean and free of trash build-up. Clean under the drive cover twice a season.
- The gear case is filled with lubricant to the proper level at the factory. The only time the lubricant needs attention is if service has been performed on the gear case.
- If lubricant is required, use only Texaco Starplex Premium 1 Grease, Part No. 750355. Do Not substitute.

DRIVE WHEELS

Check front drive wheels each time before you mow to be sure they move freely. The wheels not turning freely means trash, brass, cuttings, etc. are in the drive wheel area and must be cleaned to free drive wheels.

If necessary to clean the drive wheels, check both front wheels.

- Remove hubcaps, hairpin cotters and washers.
- Remove wheels from wheel adjusters.
- Remove any trash or grass cuttings from inside the dust cover, pinion and/or drive wheel gear teeth.
- Put wheels back in place.
- If after cleaning, the drive wheels do not turn freely, contact your nearest Sears Service Center.

GRASS CATCHER

- The catcher may be hosed with water, but must be dry when used.
- Check your grass catcher often for damage or deterioration. Through normal use it will wear. If catcher needs replacing, replace only with a manufacturer approved replacement catcher from Sears. Give the lawn mower model number when ordering.

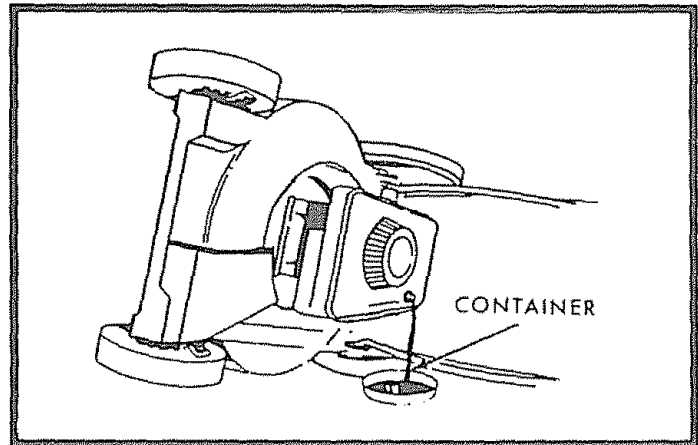


FIG. 12

ENGINE

TO CHANGE OIL (WARM OIL DRAINS BETTER)



CAUTION: DISCONNECT SPARK PLUG WIRE FROM SPARK PLUG AND PLACE WIRE WHERE IT CANNOT COME IN CONTACT WITH SPARK PLUG.

- Remove engine oil cap with dipstick; lay aside on a clean surface.
- Tip lawn mower on its side as shown in Fig. 12 and drain oil into suitable container. Rock lawn mower back and forth to remove any oil trapped inside of engine.
- Wipe off any spilled oil on lawn mower and on side of engine.
- Fill engine with SAE 30 or 10W 30 oil. Fill only to the "FULL" line on the dipstick. DO NOT overfill.
- Replace engine oil cap.
- Reconnect spark plug wire to spark plug.

MAINTENANCE

AIR FILTER

Clean or replace Air Filter every 25 hours or every season, whichever occurs first.

NOTE: Service Air Filter more often under dusty conditions.

TO SERVICE AIR FILTER

- Loosen Screw and tilt Cover as shown in fig. 13.
- Carefully remove Cartridge.
- Clean by tapping gently on a flat surface. If very dirty, replace Cartridge or clean as follows: Wash in a low or non-sudsing detergent and warm water solution. Rinse thoroughly with flowing water from mesh side until water runs clear. Let Cartridge air dry thoroughly before using.



CAUTION: PETROLEUM SOLVENTS, SUCH AS KEROSENE, ARE NOT TO BE USED TO CLEAN CARTRIDGE. THEY MAY CAUSE DETERIORATION OF THE CARTRIDGE. DO NOT OIL CARTRIDGE. DO NOT USE PRESSURIZED AIR TO CLEAN OR DRY CARTRIDGE.

- Install Cartridge, then replace Cover making sure the tabs are aligned with the slots in Back Plate. Fasten Screw securely (See Fig. 13).

SPARK PLUG

Change your spark plug each year to make your engine start easier and run better. Set spark plug gap at .030 inch.

CLEANING

We recommend that you clean the underside of your lawn mower after each use.



CAUTION: DISCONNECT SPARK PLUG WIRE FROM SPARK PLUG AND PLACE WIRE WHERE IT CANNOT COME IN CONTACT WITH SPARK PLUG.

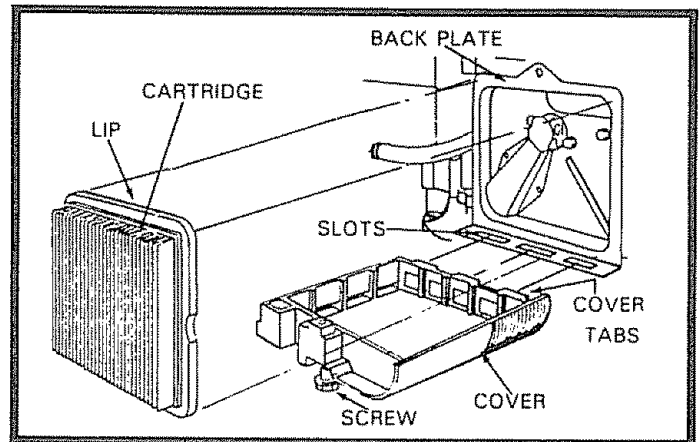


FIG. 13

- Turn lawn mower on its side with carburetor up.
- Clean the underside of your lawn mower by scraping to remove build-up of grass and trash.
- Clean your lawn mower and engine often to keep trash from accumulating around engine. A clogged engine runs hotter and shortens engine life.
- We DO NOT recommend using a garden hose to clean lawn mower unless the electrical system, muffler, air filter, and carburetor are covered to keep water out. Water in engine can result in shortening engine life.

SERVICE AND ADJUSTMENT

TO REMOVE/REPLACE DRIVE BELT



CAUTION: DISCONNECT SPARK PLUG WIRE FROM SPARK PLUG. PLACE WIRE WHERE IT CANNOT COME IN CONTACT WITH SPARK PLUG.

- Remove drive cover. Remove belt by pushing down on gear case pulley (See Fig. 14).
- Turn lawn mower on its side with carburetor and fuel cap up.
- Loosen hex head screw and move belt snubber away from pulley (See Fig. 14).
- Remove belt from engine pulley on crankshaft and carefully slip belt off over blade.
- **CAUTION:** Sharp edges of blade can cut belt.
- Install new belt reversing above steps.
- Move belt snubber back in place and tighten hex head screw.

NOTE: Belt snubber clears belt by approx. 1/32 inch when installed.

- Always use factory approved belt to assure fit and long life.

TO ADJUST DRIVE CONTROL CABLE

A drive control cable that needs adjustment will keep your lawn mower from self-propelling properly and can also cause gear case components to wear out sooner.

- Remove drive cover.
- Loosen cable clamp screw "A" and nuts "B" and "C".
- Hold down operator presence control bar to handle and engage drive control.
- Move shifter arm to drive position while rotating front wheels to be sure jaw clutch is engaged. Pull threaded sleeve with pliers (See Fig. 15). Do Not pull on control cable.
- Tighten nut "C" until sleeve is snug.
- Tighten screw "A" and nut "B".
- Push lawn mower back and forth to be sure gear case is engaged.
- Replace drive cover.
- Release operator presence control bar.

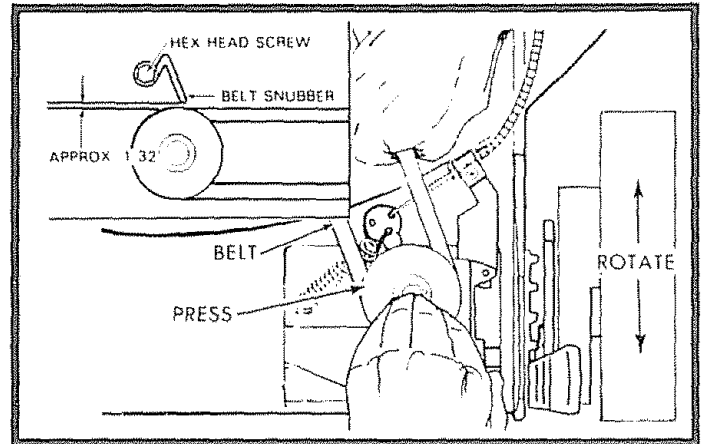


FIG. 14

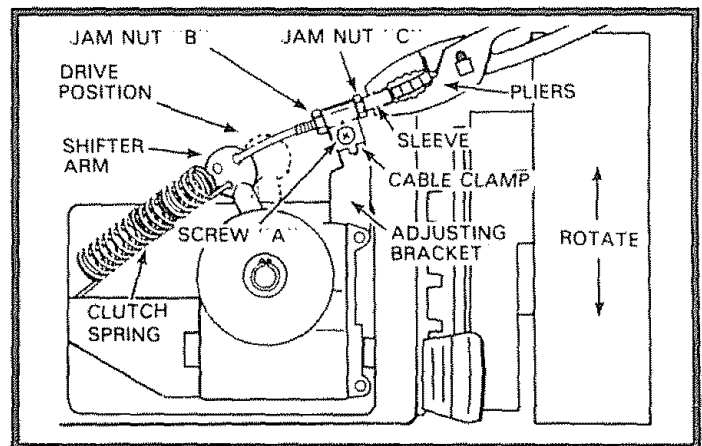


FIG. 15

REAR DEFLECTOR

The rear deflector, attached between the rear wheels of your lawn mower, is provided to minimize the possibility that objects will be thrown out the rear of the lawn mower into the operator's mowing position.

If the rear deflector becomes damaged, it should be replaced.

SERVICE AND ADJUSTMENT

CARBURETOR ADJUSTMENTS

Minor Carburetor adjustment may be required to compensate for differences in fuel, temperature, altitude or load. The Air Cleaner and Air Cleaner Cover must be assembled to Carburetor when running.

INITIAL ADJUSTMENT:

With the engine not running, gently turn Idle Mixture Screw clockwise until it just closes. Screw may be damaged by turning it in too far (See Fig. 16).

Next open the Screw one turn counter-clockwise. This initial adjustment will permit the engine to be started and warmed up (approximately 5 minutes) prior to final adjustment (See Fig. 16).

NOTE: DO NOT adjust top no load adjusting Screw. (Pre-set at Factory).

FINAL ADJUSTMENT

Place Equipment Control Lever in "IDLE" or "SLOW" position. Adjust idle RPM, by turning Idle Speed Adjusting Screw to obtain 1400 RPM. Next, turn Idle Mixture Screw in (clockwise - lean mixture) until engine just starts to slow. Then turn Idle Mixture Screw out (counter-clockwise - rich mixture) until engine runs unevenly. Now turn Idle Mixture Screw midway between rich and lean. Engine should accelerate smoothly. If engine does not accelerate properly, the Carburetor should be readjusted,

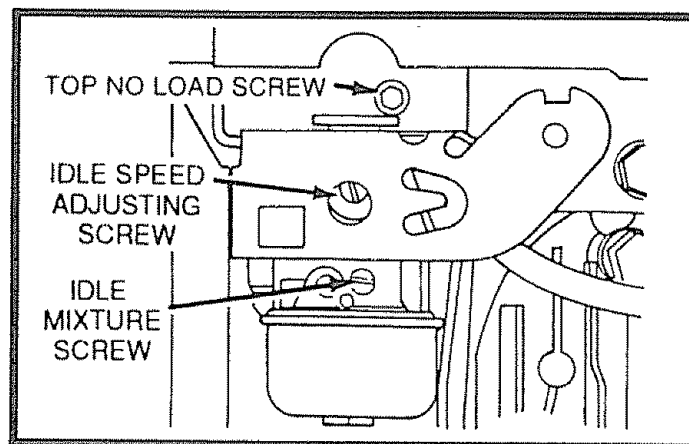


FIG. 16

usually to a slightly richer mixture, by turning the idle mixture screw counter-clockwise 1/8 turn more (See Fig. 16).

ENGINE SPEED

Your engine speed has been factory set. Do not attempt to increase engine speed or it may result in personal injury. If you believe that the engine is running too fast or too slow, take your lawn mower to an authorized Sears Service Center for repair and adjustment.

SERVICE AND ADJUSTMENT

TO ADJUST HANDLE

Your Lawn Mower Handle can be raised or lowered for your mowing comfort. Figs. 17A, 17B, 17C and 17D show the four (4) positions that are available: High, Medium High, Medium Low and Low. Handles are shipped mounted in the Medium Low position (See Fig. 17A).

- To change from medium low to medium high position, the upper and lower handle sections will have to be turned over (See Fig. 17B).
- Remove the controls and operator presence control bar from the upper handle.
- Remove the starter rope guide from the lower handle.
- Remove hairpin cotters.
- Disconnect the lower handle from the handle brackets (See Fig. 18).
- Turn the handle over and reassemble the hairpin cotters that have been removed (See Fig. 18).
- Reassemble the starter rope guide.
- Reassemble the controls and the operator presence control bar to the upper handle.

CAUTION: THE OPERATOR PRESENCE CONTROL BAR MUST PIVOT FREELY TO PERMIT BLADE BRAKE ENGAGEMENT WHEN CONTROL BAR IS RELEASED. DO NOT OVERTIGHTEN THE FASTENERS HOLDING THE CONTROLS TO THE UPPER HANDLE.

- To change from medium low to high position only the upper handle section will have to be turned over (See Fig. 17C).
- To change from medium low to low position, only the lower handle section will have to be turned over (See Fig. 17D).

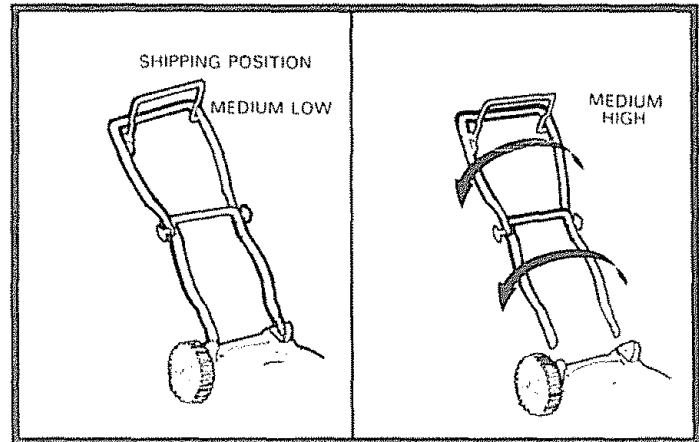


FIG. 17A

FIG. 17B

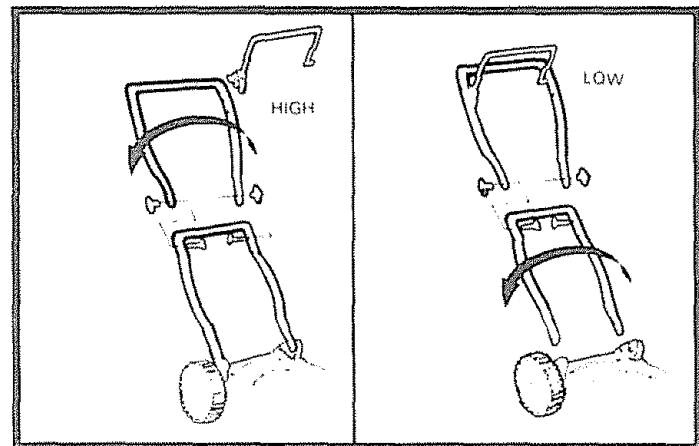


FIG. 17C

FIG. 17D

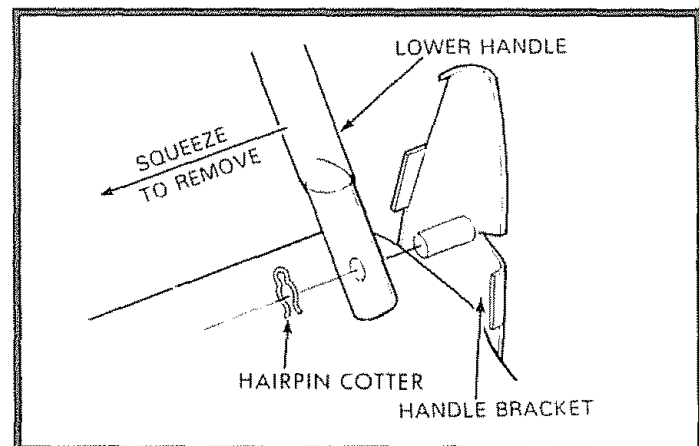


FIG. 18

STORAGE

Your lawn mower and engine should be prepared for off-season storage as follows:

LAWN MOWER

- Clean underside of lawn mower housing. (See "Cleaning" in maintenance section of manual.)
- Inspect and replace/sharpen blade, if required (See "Blade/Blade Adapter Care" in maintenance section of manual).
- Hose grass catcher off with water and let dry before storing.
- Lubricate as shown in Service Recommendation chart on page 19 of manual.

HANDLE

- You can fold your lawn mower handle for storage as shown in Fig. 19.
- To fold, squeeze the bottom ends of the lower handle toward each other until the lower handle clears the handle bracket, then move handle forward (See Fig. 20).

IMPORTANT: WHEN FOLDING THE HANDLE FOR STORAGE OR TRANSPORTATION, BE SURE TO FOLD THE HANDLE AS SHOWN IN FIG. 19. IF YOU FOLD THE UPPER HANDLE SECTION THE WRONG WAY, YOU MAY DAMAGE THE CONTROL CABLES.

ENGINE

- Change oil (See "To Change Oil" in maintenance section of manual).
- Drain Fuel and Run Engine until fuel system is empty.

IMPORTANT: IT IS IMPORTANT TO PREVENT GUM DEPOSITS FROM FORMING IN ESSENTIAL FUEL SYSTEM PARTS SUCH AS THE CARBURETOR, FUEL FILTER, FUEL HOSE, OR TANK DURING STORAGE. ALSO, EXPERIENCE INDICATES THAT ALCOHOL BLENDED FUELS (CALLED GASOLHOL OR USING ETHANOL OR METHANOL) CAN ATTRACT MOISTURE WHICH LEADS TO SEPARATION AND FORMATION OF ACIDS DURING STORAGE. ACIDIC GAS CAN DAMAGE THE FUEL SYSTEM OF AN ENGINE WHILE IN STORAGE.

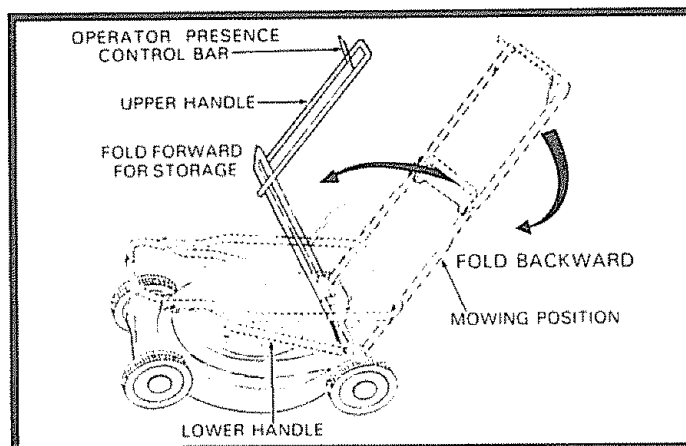


FIG. 19

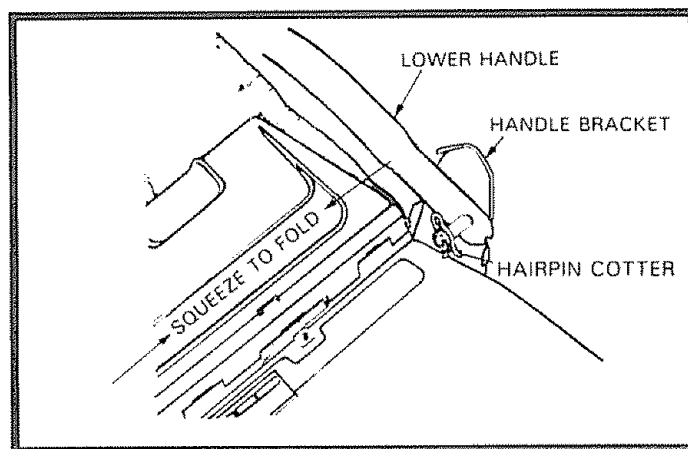


FIG. 20

OTHER

- Do not store gasoline from one season to another.
- Replace your gasoline can if your can starts to rust. Rust and/or dirt in your gasoline can cause problems.
- Do not store your lawn mower under any plastic cover. Plastic cannot breathe which allows condensation to form and can cause your lawn mower to rust.
- When setting up your handle from the storage position, the lower handle will automatically lock into the mowing position.

SERVICE RECOMMENDATIONS

SERVICE RECORD Fill in dates as you complete regular service	SCHEDULE				SERVICE DATES		
	First 2 Hours	Every 10 Hours	Every 25 Hours	Every Use			
Blade Checked		✓					
Blade Replaced (Sharpened)			✓				
Engine Oil Change	✓		✓				
Engine Oil Check				✓			
Air Cleaner			✓				
Spark Plug Replaced			✓				
Lubricate Lawn Mower			✓				
Cleaning				✓			
Grass Catcher (if applicable)				✓			
Muffler			✓				

✓ - CHECK

LUBRICATION CHART

- ① SAE 30 MOTOR OIL (10W 30)
- ② SPRAY LUBRICANT

