

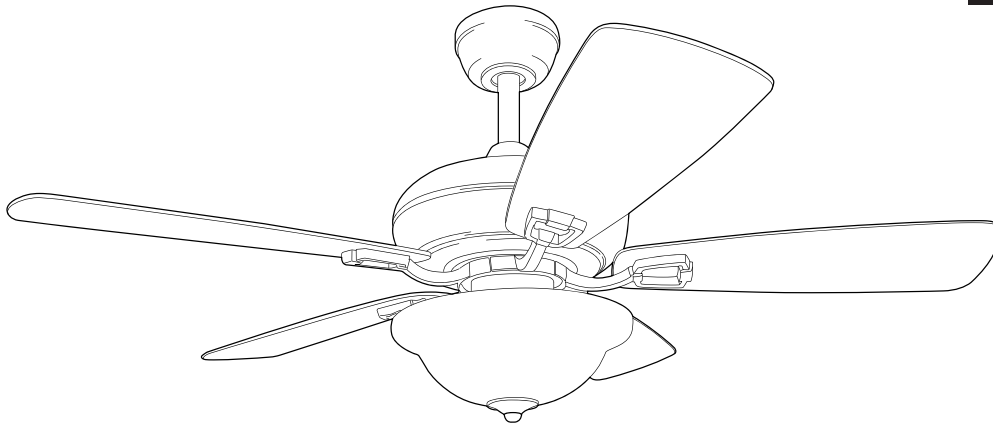


ITEM #016887  
016888  
016889  
016890

# CONNEXXTION®

MODEL #TLEII44BNK5L  
TLEII44OSB5L  
TLEII52BNK5L  
TLEII52OSB5L

Español p. 20



Express Assembly

No Tools Required



**ATTACH YOUR RECEIPT HERE**

Purchase Date \_\_\_\_\_



**Intertek**  
4009654



**Questions, problems, missing parts?** Before returning to your retailer, call our customer service department at **1-800-527-1292**, 8:30 a.m. - 5 p.m., CST, Monday - Friday

## TABLE OF CONTENTS

---

Safety Information .....	2
Package Contents .....	4
Hardware Contents .....	5
Preparation .....	5
Initial Installation .....	5
Installing Safety Cable .....	8
Wiring .....	9
Final Installation .....	11
Installing Fan Without Light Kit .....	14
Operating Instructions .....	15
Care and Maintenance .....	17
Troubleshooting .....	18
Limited Lifetime Warranty .....	19



## SAFETY INFORMATION

---

### READ AND SAVE THESE INSTRUCTIONS

- Do not discard fan carton or foam inserts. Should this fan need to be returned to the factory for repairs, it must be shipped in its original packaging to ensure proper protection against damage that might exceed the initial cause for return.
- Make sure all electrical connections comply with local codes, ordinances, the National Electrical Code and ANSI/NFPA 70-1999. Hire a qualified electrician or consult a do-it-yourself wiring handbook if you are unfamiliar with installing electrical wiring.
- Make sure the installation site you choose allows a minimum clearance of 7 ft. from the blades to the floor and at least 30 in. from the end of the blades to any obstruction.
- After you install the fan, make sure all connections are secure to prevent the fan from falling.
- The net weight of TLEII44 is: 16.5 lbs.
- The net weight of TLEII52 is: 21 lbs.

## DANGER

When using an existing outlet box, make sure the outlet box is securely attached to the building structure and can support the full weight of the fan. Failure to do this can result in serious injury or death. The stability of the outlet box is essential in minimizing wobble and noise in the fan after installation is complete.

## WARNING



To reduce the risk of fire, electrical shock or personal injury, mount fan to outlet box marked "ACCEPTABLE FOR FAN SUPPORT OF 35 LBS. OR LESS" and use mounting screws provided with the outlet box. Most outlet boxes commonly used for the support of lighting fixtures are not acceptable for fan support and may need to be replaced. Consult a qualified electrician if in doubt.

When mounting fan to a ceiling outlet box, use a METAL octagonal outlet box; do NOT use a plastic outlet box. Secure the outlet box directly to the building structure. The outlet box and its support must be able to support the moving weight of the fan (at least 35 lbs.).

To avoid personal injury, the use of gloves may be necessary while handling fan parts with sharp edges.

To reduce the risk of fire, electrical shock or personal injury, wire connectors provided with this fan are designed to accept only one 12-gauge house wire and two lead wires from the fan. If your house wire is larger than 12-gauge or there is more than one house wire to connect to the corresponding fan lead wires, consult an electrician for the proper size wire connectors to use.

To reduce the risk of fire or electrical shock, do not use the fan with any solid state speed control device or control fan speed with a full range dimmer switch.

To reduce the risk of fire, electrical shock or personal injury, do not bend the blade arms when installing them, balancing the blades or cleaning the fan. Do not insert objects between the rotating fan blades.

To reduce the risk of personal injury, use *only* parts provided with this fan. The use of parts *OTHER* than those provided with this fan will void the warranty.

Before proceeding, be sure to shut off electricity at main switch or circuit breaker in order to avoid electrical shock.

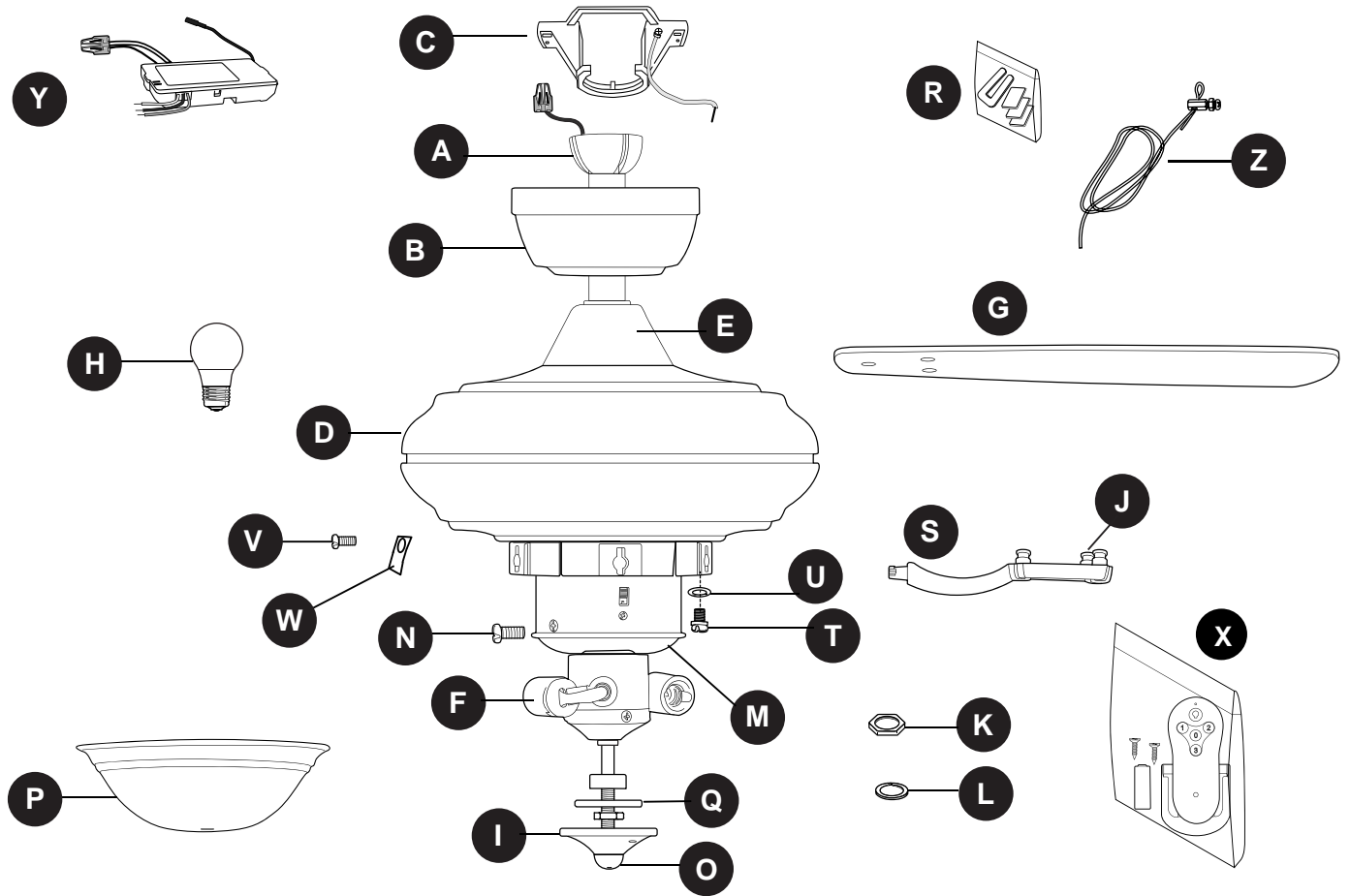
## CAUTION

Be sure outlet box is properly grounded and that a ground wire (green or bare) is present.

Before beginning installation, carefully check all screws, bolts and nuts on fan motor assembly to ensure that they are secured.

**NOTE:** Dimmable to 10% with select dimmers.

# PACKAGE CONTENTS




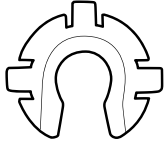
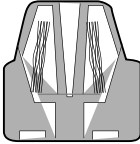
PART	DESCRIPTION	QUANTITY
A	Downrod (preassembled)	1
B	Canopy (preassembled)	1
C	Mounting Bracket	1
D	Motor Housing	1
E	Yoke Cover (preassembled)	1
F	Light Kit Fitter (preassembled)	1
G	Blade	5
H	Bulb	3
I	Finial Plate (preassembled)	1
J	Blade Screw Post (preassembled)	15
K	Hex Nut (preassembled)	2
L	Lock Washer (preassembled)	1
M	Switch Housing Cap (preassembled)	1

PART	DESCRIPTION	QUANTITY
N	Switch Housing Cap Screw (preassembled)	3
O	Finial (preassembled)	1
P	Glass Shade	1
Q	Rubber Washer (preassembled)	1
R	Balancing Kit	1
S	Blade Arm	5
T	Blade Arm Screw (preassembled)	10
U	Washer (preassembled)	10
V	Safety Screw (preassembled)	5
W	Metal Tab (preassembled)	5
X	Remote Pack	1
Y	Remote Control Receiver	1
Z	Safety Cable (preassembled)	1

**⚠ IMPORTANT:** You must use the parts provided with this fan for proper installation and safety.

## HARDWARE CONTENTS (shown actual size)

---

AA	BB	CC
		
Cap	Three-C Clip	Clip (preassembled)
Qty. 1	Qty. 15 + 1 extra	Qty. 6

## PREPARATION

---

Before beginning assembly of product, make sure all parts are present. Place motor on carpet or on foam to avoid damage to finish. Compare parts with package contents list and hardware contents list. If any part is missing or damaged, do not attempt to install, operate or assemble the product.

**Estimated Assembly Time: 60 minutes**

Tools Required for Assembly (not included): Electrical Tape, Phillips Screwdriver, Pliers, Safety Glasses, Stepladder and Wire Strippers

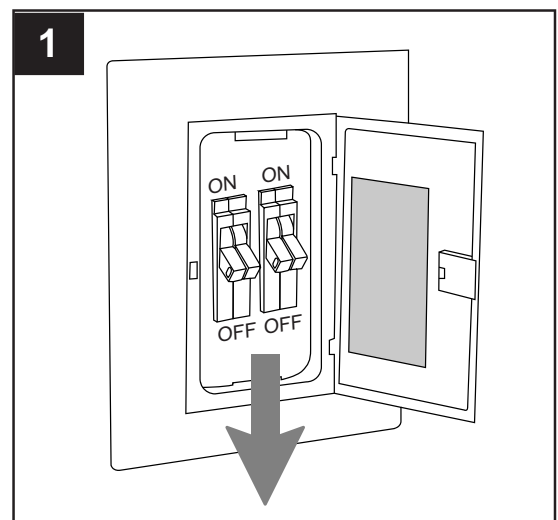
Helpful Tools (not included): AC Tester Light, Tape Measure, Do-It-Yourself Wiring Handbook and Wire Cutters

## INITIAL INSTALLATION

---

1. Turn off circuit breakers or fuse and wall switch to the fan supply line leads.

**⚠ DANGER:** Failure to disconnect power supply prior to installation may result in serious injury or death.



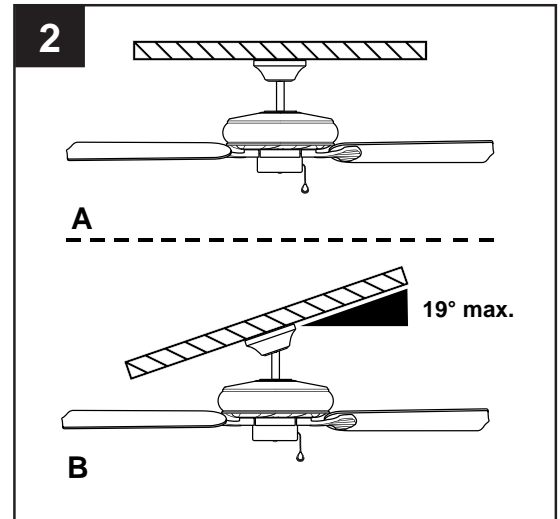
## INITIAL INSTALLATION

2. Determine mounting method to use.

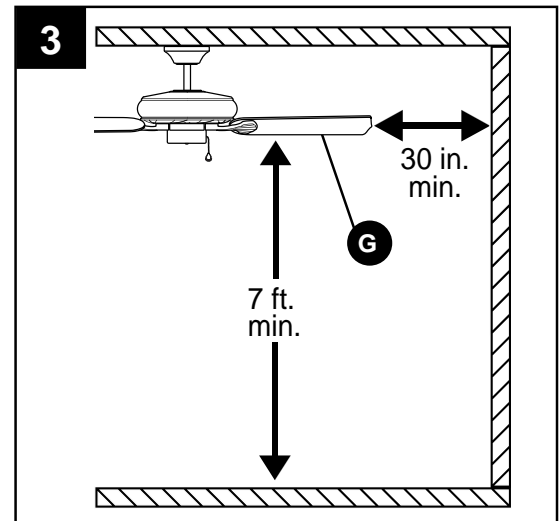
- A. Standard mount
- B. Angle mount

**Note:** Flushmount and closemount options are not available for this fan.

**IMPORTANT:** If using the angle mount, ensure the ceiling angle is not steeper than 19°.



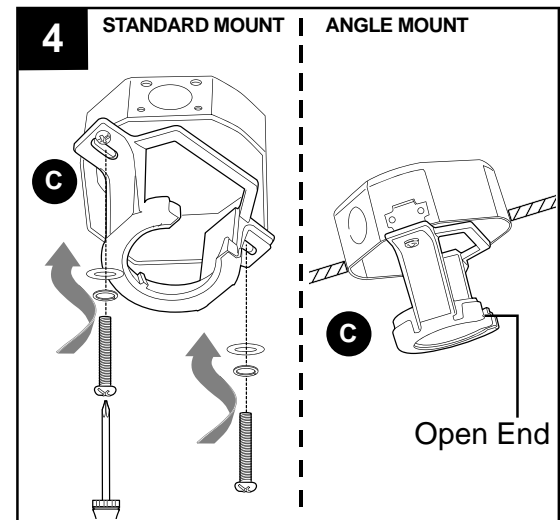
3. Check to make sure blades (G) will be at least 30 inches from any obstruction. Check downrod (A) length to ensure blades (G) will be at least 7 ft. above the floor.



4. Secure mounting bracket (C) to outlet box (not included) using screws, spring washers and flat washers provided with the outlet box.

**\*NOTE:** It is very important you use the proper hardware when installing the mounting bracket (C) as this will support the fan.

**IMPORTANT:** If using the angle mount, make sure open end of mounting bracket (C) is installed facing the higher point of the ceiling.

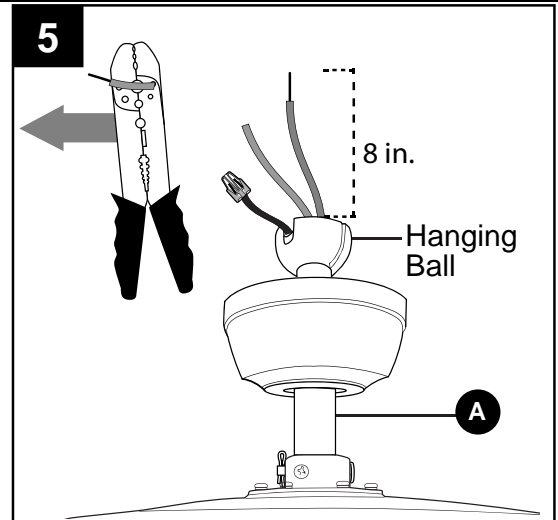


## INITIAL INSTALLATION

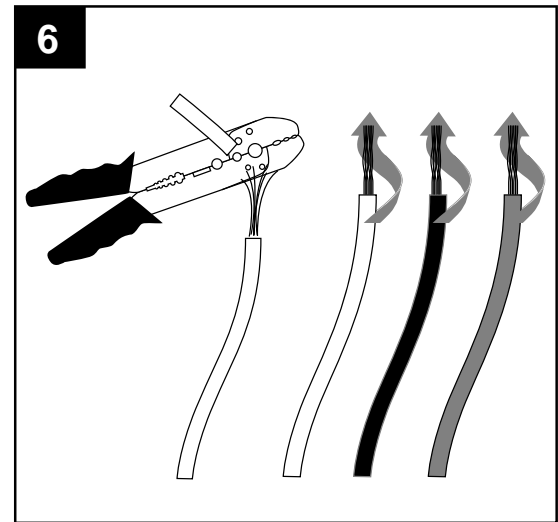
5. You may need to cut the lead wires back to simplify the wiring. If you decide to cut back the lead wires, it is suggested you do so in the following manner:

Take the lead wires and make sure you have pulled them all the way through the top of the downrod. Start at the TOP of the hanging ball on the downrod and measure 8 in. of lead wire, and then cut the excess wire off with wire cutters (not included).

**NOTE:** If you do *not* cut back the lead wires, **Steps 5 and 6 are not necessary and you may proceed to Step 7 instead.**

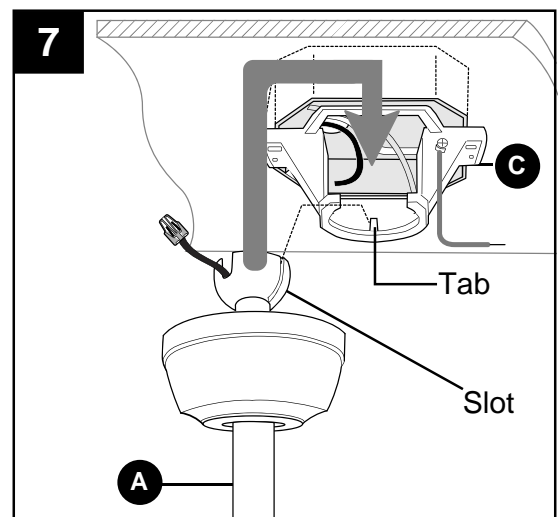


6. If you cut back the lead wires in Step 5, strip 1/2 in. of insulation from end of white wire. Twist stripped ends of each strand of wire within the insulation with pliers. Repeat Step 6 for black, blue (if applicable) and green wires.



7. Install hanging ball of downrod (A) into opening of mounting bracket (C). Align one of the slots in hanging ball with the tab in mounting bracket (C).

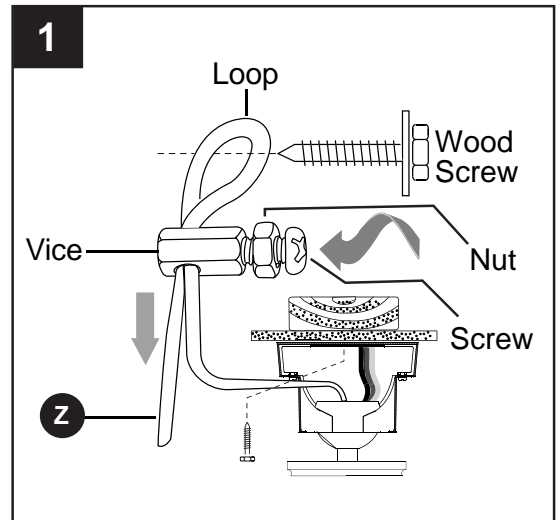
**⚠ DANGER:** Failure to align one of the slots in hanging ball with the tab in mounting bracket (C) may result in serious injury or death.



## INSTALLING SAFETY CABLE

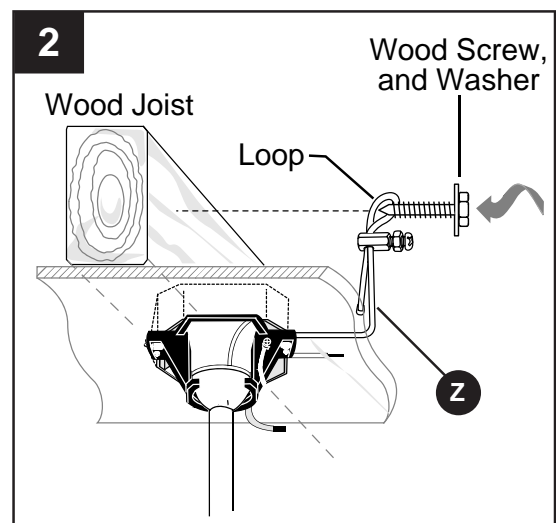
1. Adjust safety cable (Z) length by loosening screw and nut on the safety cable vice and pulling on the cable. Adjust slack in cable to a hands length and secure vice by re-tightening screw and nut securely. The loop at the end of the safety cable (Z) should just fit over the threads on the wood screw.

*Test safety cable (Z) by pulling on loose end of cable with pliers. If the safety cable (Z) slips, the screw and nut on the vice must be set tighter.*



2. Find a secure attachment point (wood ceiling joist recommended) and secure safety cable (Z). Use a heavy-duty wood screw, washer and lock washer (all not included) to secure safety cable (Z) loop.

**NOTE:** Extra cable slack can be left in ceiling area.



## WIRING

**⚠ WARNING:** To reduce the risk of fire, electrical shock or personal injury, each quick connect clip provided with this fan is designed to accept only one 12-gauge house wire and one lead wire from the fan. If your house wire is larger than 12-gauge or there is more than one house wire to connect to the corresponding fixture lead wires, consult an electrician.

**⚠ CAUTION:** Be sure outlet box is properly grounded and that a ground (green or bare) wire is present.

**⚠ WARNING:** The wires from the outlet box must be connected to a corresponding color of the fan's wires. Be sure wire colors match before making connections. If house wires are different colors than referred to in the following steps, stop immediately. A professional electrician is recommended to determine wiring.

**⚠ WARNING:** Using a full range dimmer switch (not included) to control fan speed will cause a loud humming noise from fan. To reduce the risk of fire or electrical shock, do NOT use a full range dimmer switch to control fan speed.

1. Make the necessary wiring connections for remote control operation as detailed below and in the figure. For each wire connection, use one of the clips (CC).

**CAUTION:** Assistance from another person is recommended for this step.

Connect all GROUND (GREEN) wires from fan (on downrod (A), if applicable, and mounting bracket (C)) to BARE/GREEN supply wire from ceiling.

Connect BLACK wire (labeled AC IN L) from remote control receiver (Y) to BLACK supply wire from ceiling.

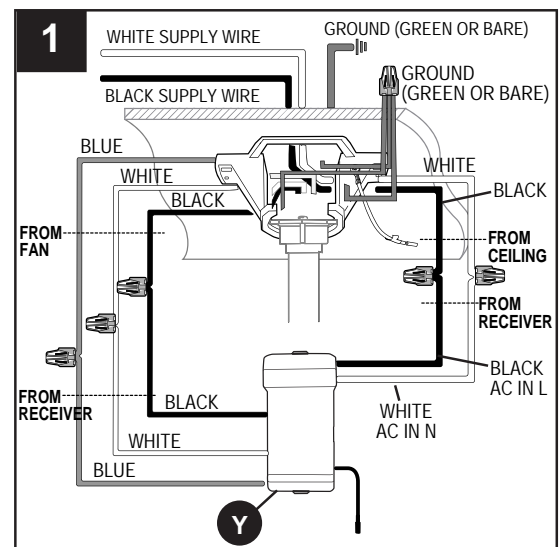
Connect WHITE wire (labeled AC IN N) from remote control receiver (Y) to WHITE supply wire from ceiling.

Connect WHITE wire (labeled TO MOTOR N) from remote control receiver (Y) to WHITE wire from motor housing (D).

Connect BLACK wire (labeled TO MOTOR L) from remote control receiver (Y) to BLACK wire from motor housing (D).

Connect BLUE wire (labeled FOR LIGHT) from remote control receiver (Y) to BLUE wire from motor housing (D).

**⚠ WARNING:** Never connect ground wire to white or black power supply wires.



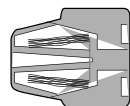
**NOTE:** To release a wire from clip (CC), twist and pull the wire at the same time. This may require some force.

**NOTE:** Pull on each wire to make sure wires are secure in the clip (CC).

### Hardware Used



Clip



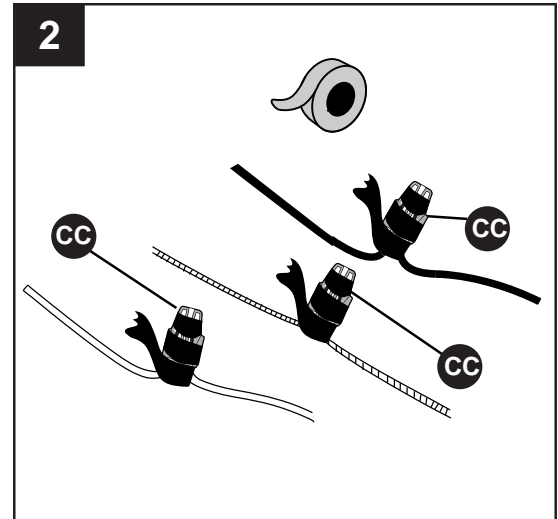
x 6

## WIRING

2. Wrap electrical tape (not included) around each individual clip (CC) down to the wire.

**⚠ WARNING:** Make sure no bare wire or wire strands are visible after making connections. Place green and white connections on opposite side of box from the black and blue connections.

Gently push wires and clips (CC) into outlet box.

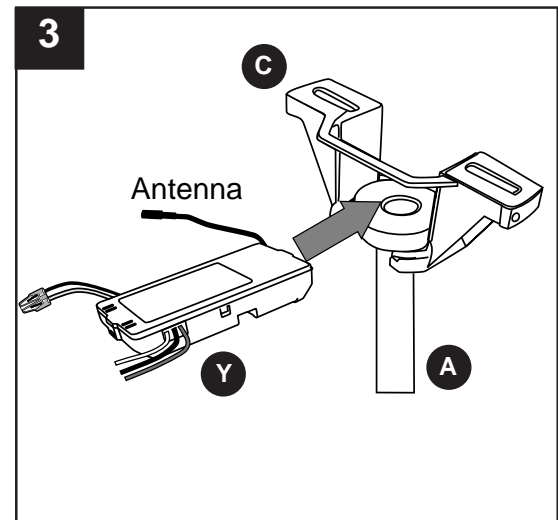


3. Gently slide remote control receiver (Y) flat-side up into mounting bracket (C). Turn spliced/taped wires upward and gently push wires into outlet box. Let antenna from remote control receiver (Y) hang to the side.

**NOTE:** The remote control included with this fan meets the following requirements:

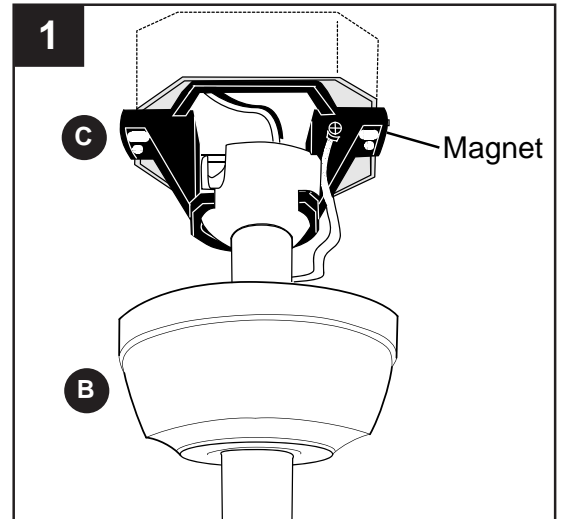
- a. Not for use with solid state fans.
- b. Electrical rating: 120V / 60 Hz;  
motor amps: 1.25 MAX.;  
light watts: 190  
(Incandescent only)

Should you choose to use a different remote control with this fan, it must also meet these same requirements.



## FINAL INSTALLATION

1. Raise canopy (B) toward ceiling and allow it to attach to mounting bracket (C) using the magnets mounted on each side of the mounting bracket (C).



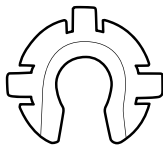
2. Align the preassembled blade screw posts (J) on blade arms (S) with the holes on a blade (G). Press up on the blade arm firmly so the blade screw posts (J) come through the holes in the blade (G), then slide a three-C clip (BB) onto each blade screw post (J).

Repeat for each blade arm (S) and blade (G).

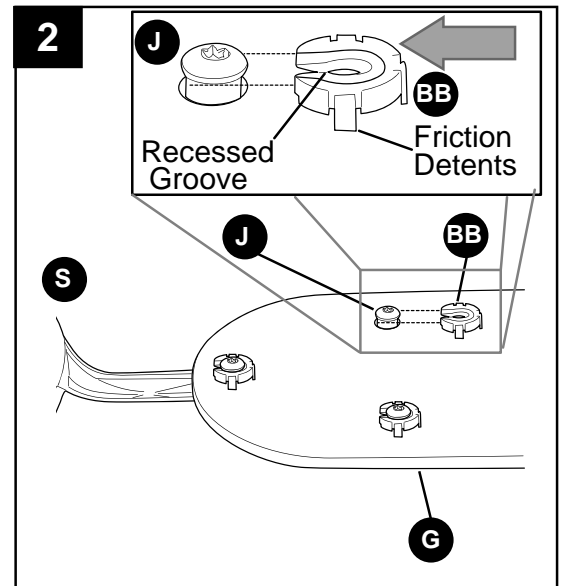
**⚠ WARNING:** To reduce the risk of personal injury, make sure the friction detents on three-C clip (BB) face down and recessed groove faces up. Slide three-C clips (BB) completely under blade screw posts (J) so edges of blade screw posts (J) are captured by the recessed groove on the three-C clips (BB).

### Hardware Used

**BB** Three-C clip



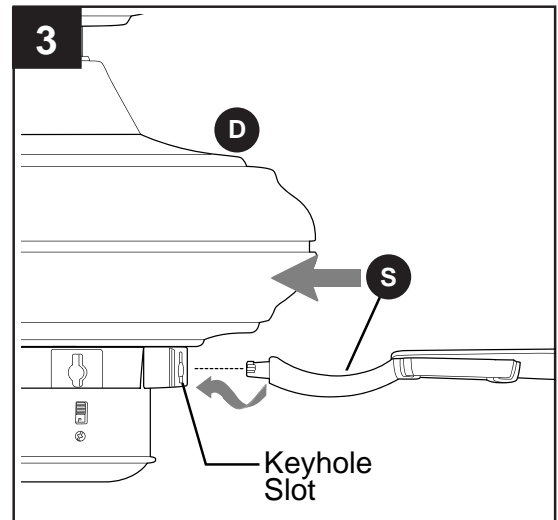
x 15



## FINAL INSTALLATION

3. Insert the end of one blade arm (S) into the keyhole slot on the motor housing (D). Twist blade arm (S) clockwise to lock in place.

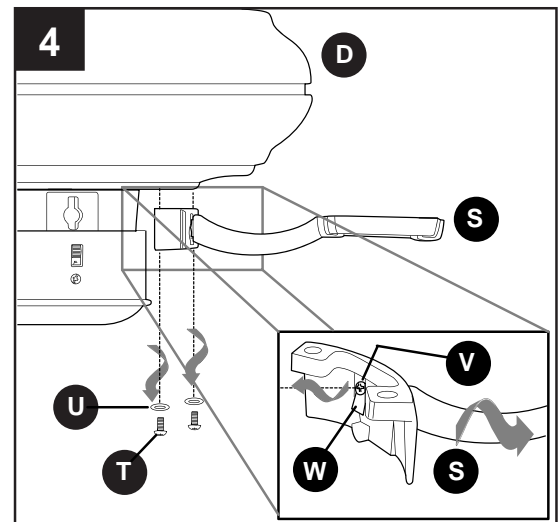
Repeat with remaining blade arms (S).



4. Should it become necessary to remove blade arm (S) from motor housing (D), follow these steps:

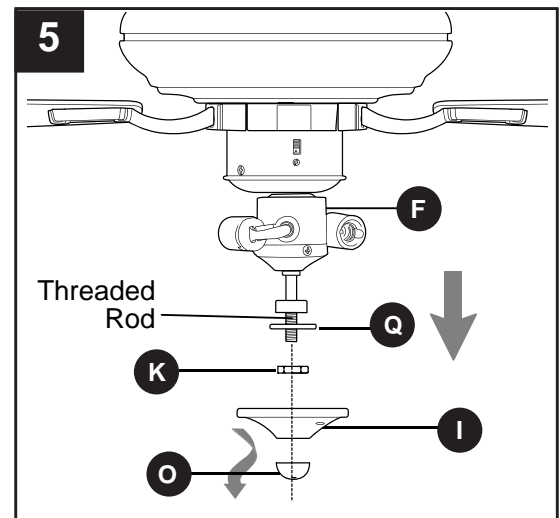
Remove blade arm screws (T) and washers (U) from underside of motor housing (D) and remove blade arm assembly. Remove safety screw (V) and metal tab (W) from blade arm wall. Twist blade arm (S) counterclockwise to remove from blade arm wall.

To reinstall blade arm (S), reattach metal tab (W) to blade arm wall with safety screw (V). Reattach blade arm wall to motor housing (D) with blade arm screws (T) and washers (U). Refer to step 3 to reinsert blade arm (S).



**NOTE:** To install the fan without the light kit, proceed to **INSTALLING FAN WITHOUT LIGHT KIT** on page 14.

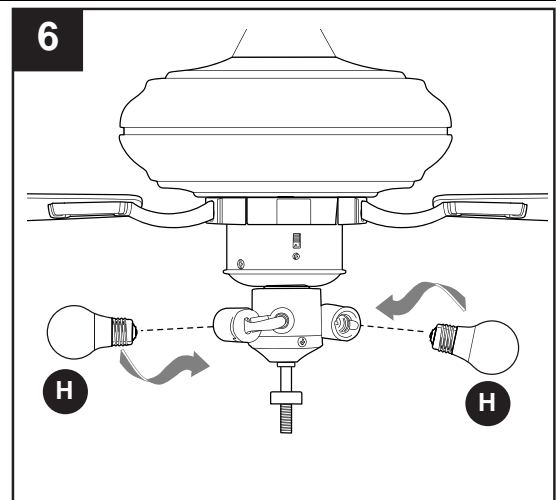
5. **If you wish to use the fan WITH the light kit,** remove finial (O), finial plate (I), rubber washer (Q) and hex nut (K) from the threaded rod at the bottom of the light kit fitter (F). *Save hardware for later use.*



## FINAL INSTALLATION

6. Install bulbs (H).

**⚠ CAUTION:** When replacing bulb(s), allow bulb(s) and glass shade to cool down before touching.

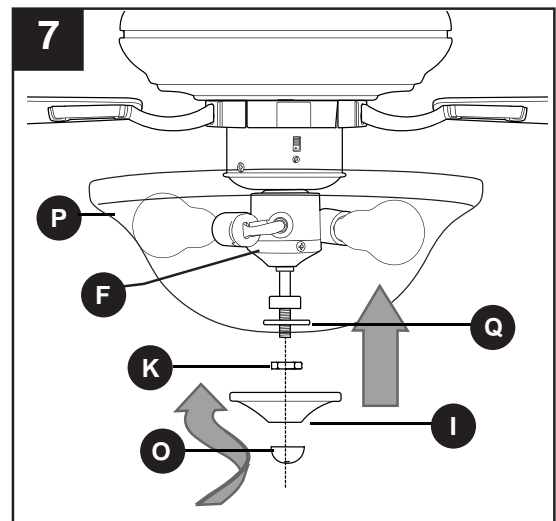


7. Place rubber washer (Q) inside glass shade (P) over center hole. Align hole in center of glass shade (P) with threaded rod on light kit fitter (F). Push up gently on glass shade (P) until threaded rod comes through hole. Secure glass shade (P) with hex nut (K).

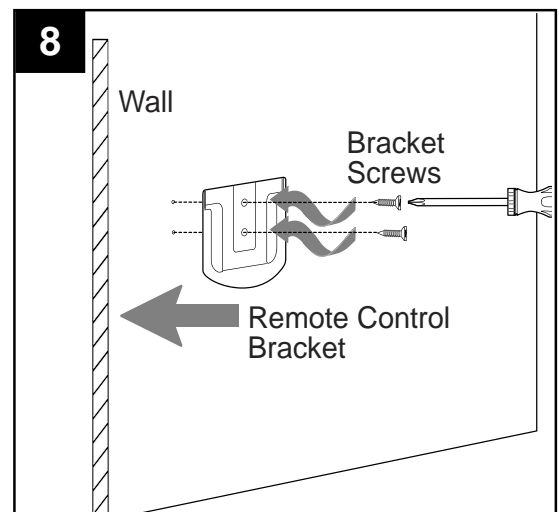
**⚠ CAUTION:** Do NOT overtighten hex nut (K) as glass may crack or break.

Then, align hole in center of finial plate (I) with threaded rod and push up. Secure glass shade with finial (O).

**⚠ CAUTION:** Do NOT overtighten finial (O) as glass may crack or break.



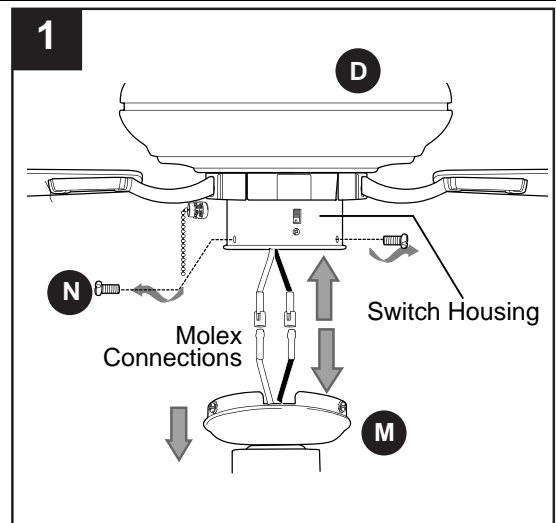
8. If you wish to use the remote control bracket from remote pack (X), install screws from remote pack (X) through bracket and into the desired installation site. The remote control transmitter from remote pack (X) rests inside the bracket.



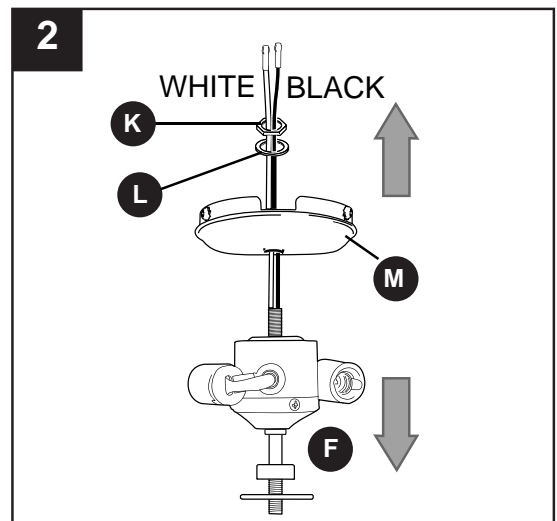
## INSTALLING FAN WITHOUT LIGHT KIT

1. **If you do NOT wish to use the light kit**, remove 3 switch housing cap screws (N) from switch housing cap (M) located on switch housing preassembled to motor housing (D). Pull down gently on switch housing cap (M).

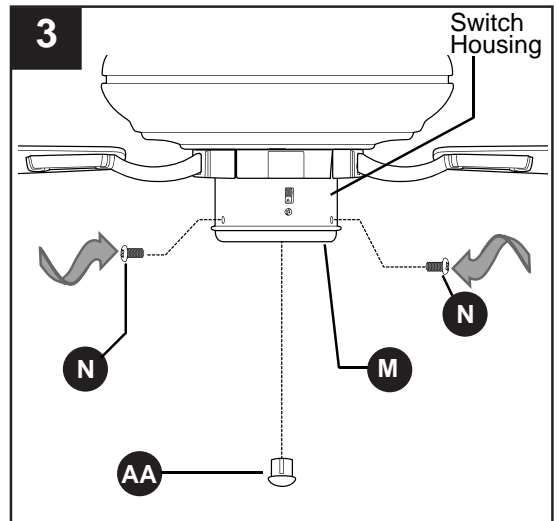
Locate wires in switch housing labeled FOR LIGHT and gently pull molex connections apart in order to disconnect switch housing cap (M) from switch housing.




2. Remove the hex nut (K) and lock washer (L) from the threaded rod at the top of the light kit fitter (F). Unscrew the switch housing cap (M) to remove it from the light kit fitter (F), and then gently feed the **BLACK** and **WHITE** wires from the light kit fitter (F) through the hole in the middle of the switch housing cap (M).



3. Place cap (AA) firmly in hole in middle of switch housing cap (M). Align holes in switch housing cap (M) with holes in switch housing, then re-tighten switch housing cap screws (N) previously removed.



### Hardware Used

AA Cap  x 1

## OPERATING INSTRUCTIONS

**⚠ CAUTION:** The remote control transmitter can be programmed to multiple receivers or fans. If this is not desired, turn wall switch off to any other programmable receiver or fan.

### FCC Compliance Notice for Remote Control

Modifications not approved by the party responsible for compliance could void the user's authority to operate the equipment.

\*NOTE: This equipment has been tested and found to comply with the limits for a Class B digital device, pursuant to Part 15 of the FCC Rules. These limits are designed to provide reasonable protection against harmful interference in a residential installation. This equipment generates, uses and can radiate radio frequency energy and, if not installed and used in accordance with the instructions, may cause harmful interference to radio communications. However, there is no guarantee that interference will not occur in a particular installation. If this equipment does cause harmful interference to radio or television reception, which can be determined by turning the equipment off and on, the user is encouraged to try to correct the interference by one or more of the following measures:

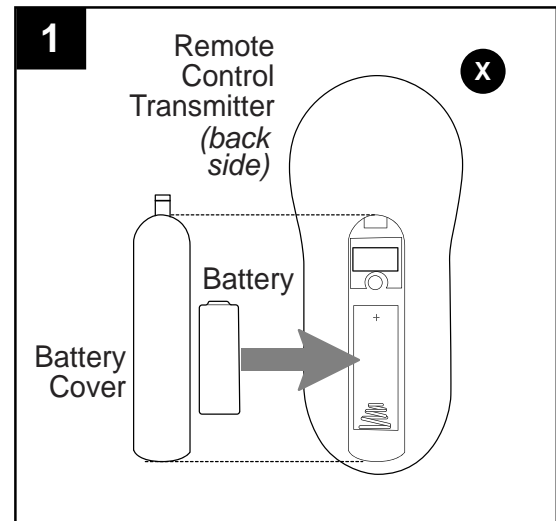
- \* Reorient or relocate the receiving antenna.
- \* Increase the separation between the equipment and receiver.
- \* Connect the equipment into an outlet on a circuit different from that to which the receiver is connected.

Consult the dealer or an experienced radio/TV technician for help.

1. Remove battery cover from back of remote control transmitter in remote pack (X). Install battery from remote pack (X) with positive (+) end toward top of remote control transmitter.

Replace battery cover on remote control transmitter.

**⚠ WARNING: Choking Hazard** - Small parts. Keep battery away from children.



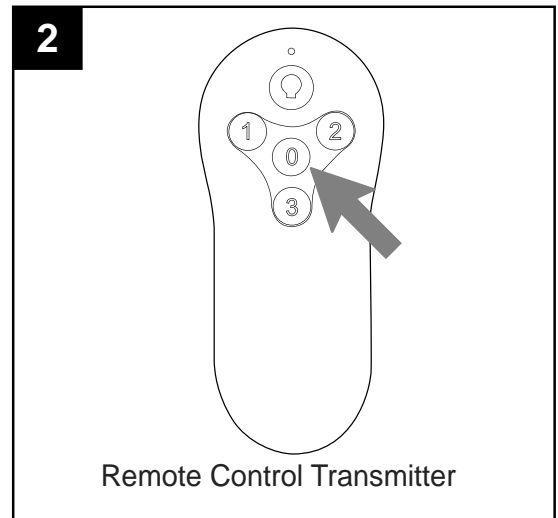
**⚠ CAUTION:** "DO NOT DISPOSE OF BATTERIES IN FIRE, BATTERIES MAY EXPLODE OR LEAK." - When disposing of household alkaline batteries, it is best to check with your local and state recycling or household hazardous waste coordinators concerning the specifics of the program in your area. You may also locate a recycling center by calling 1-800-8-BATTERY or 1-877-2-RECYCLE or visit [www.epa.gov/epawaste/index.htm](http://www.epa.gov/epawaste/index.htm) or [www.earth911.org](http://www.earth911.org) for more information.

## OPERATING INSTRUCTIONS

- Restore electrical power. Within 30 seconds of restoring electrical power, press and hold the “0” button on the remote control transmitter for 5 seconds or until light on the fan blinks twice. Use the remote control transmitter to test the light and fan functions to confirm the learning process is complete.

**NOTE:** Remove protective covering from front of remote control transmitter and discard.

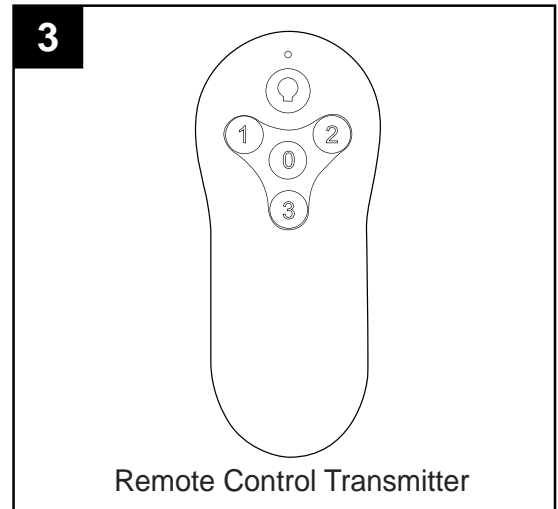
**IMPORTANT:** To prevent damage to remote control transmitter, remove the battery if not used for long periods. Store the remote control transmitter away from excess heat or humidity.



- Operation buttons on the panel of the remote control transmitter:

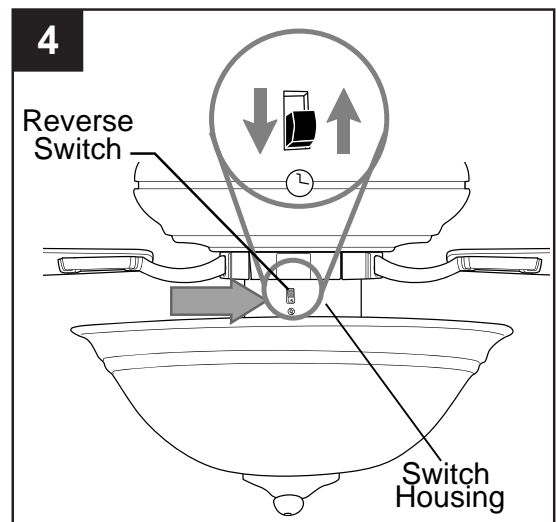
<b>3</b> button	for <u>fan</u> <b>HIGH</b> speed
<b>2</b> button	for <u>fan</u> <b>MEDIUM</b> speed
<b>1</b> button	for <u>fan</u> <b>LOW</b> speed
<b>0</b> button	to turn <u>fan</u> <b>OFF</b>
☉ button	to turn <u>light</u> <b>ON</b> or <b>OFF</b>

Tap ☉ button quickly to turn lights off or on. Hold ☉ button down to increase or decrease lights. If you press ☉ button in excess of 0.7 seconds, it becomes a dimmer. The lights vary cyclically in 8 seconds. The light button has an auto resume function, which keeps the light at the same brightness as the last time it was turned off.



- Use the fan reverse switch on the switch housing to optimize your fan for seasonal performance. A ceiling fan will allow you to raise your thermostat setting in summer and lower your thermostat setting in winter without feeling a difference in your comfort.

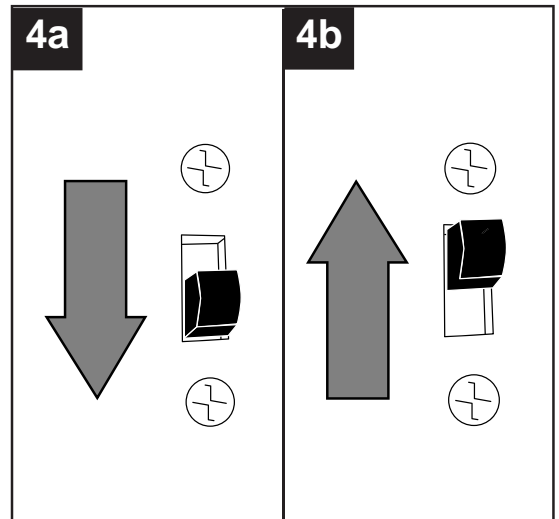
**NOTE:** Wait for fan to stop before moving the reverse switch.



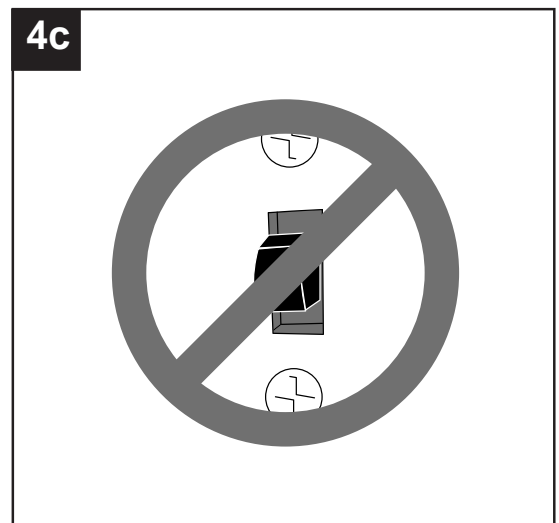
## OPERATING INSTRUCTIONS

4a. In **warmer** weather, setting the reverse switch in the DOWN position will result in downward airflow creating a wind chill effect.

4b. In **cooler** weather, setting the reverse switch in the UP position will result in upward airflow that can help move stagnant, hot air off the ceiling area.



4c. **IMPORTANT:** Reverse switch must be set either **completely UP** or **completely DOWN** for fan to function. If the reverse switch is set in the *middle* position, fan will not operate.



## CARE AND MAINTENANCE

At least twice each year, lower canopy (B) to check downrod (A) assembly, and then tighten all screws on fan. Clean motor housing (D) with only a soft brush or lint-free cloth to avoid scratching the finish. Clean blades (G) with a lint-free cloth. You may occasionally apply a light coat of furniture polish to wood blades for added protection.

**IMPORTANT:** Shut off main power supply before beginning any maintenance. Do not use water or a damp cloth to clean the ceiling fan.

Bulb Replacement: Use medium-base 9-watt LED bulbs or incandescent/CFL equivalents.

Battery Replacement: Use 9-volt alkaline battery.

## TROUBLESHOOTING

**⚠ WARNING:** Before beginning work, shut off the power supply to avoid electrical shock.

PROBLEM	POSSIBLE CAUSE	CORRECTIVE ACTION
Fan does not move.	<ol style="list-style-type: none"> <li>1. Reverse switch not engaged.</li> <li>2. Power is off or fuse is blown.</li> <li>3. Faulty wire connection.</li> </ol>	<ol style="list-style-type: none"> <li>1. Push switch firmly either up or down.</li> <li>2. Turn power on or check fuse.</li> <li>3. Turn power off. Loosen canopy and check all connections.</li> </ol>
Noisy operation.	<ol style="list-style-type: none"> <li>1. Blades are loose.</li> <li>2. Cracked blade.</li> <li>3. Full range dimmer switch.</li> <li>4. Fan is new.</li> </ol>	<ol style="list-style-type: none"> <li>1. Tighten all blade screws.</li> <li>2. Replace blade.</li> <li>3. Replace with an approved speed control device.</li> <li>4. Allow fan a "break in" period of a few days, especially when running the fan at Medium and High speeds.</li> </ol>
Excessive wobbling.	<ol style="list-style-type: none"> <li>1. Blades are loose.</li> <li>2. Blade arms incorrectly attached.</li> <li>3. Unbalanced blades.</li> <li>4. Fan not securely mounted.</li> <li>5. Fan too close to vaulted ceiling.</li> <li>6. Set screw(s) on motor housing yoke is (are) not tightened properly.</li> <li>7. Set screw on hanging ball is not tightened properly.</li> </ol>	<ol style="list-style-type: none"> <li>1. Tighten all blade screws.</li> <li>2. Re-install blade arms.</li> <li>3. Switch one blade with a blade from the opposite side or use blade balancing kit (R).</li> <li>4. Turn power off. Carefully loosen canopy and verify that mounting bracket is secure.</li> <li>5. Use a longer downrod or move fan to another location.</li> <li>6. Tighten yoke set screw(s) securely.</li> <li>7. Carefully loosen and lower canopy and verify that set screw on hanging ball is tightened securely.</li> </ol>
Fan operates but light fails (if applicable).	<ol style="list-style-type: none"> <li>1. Bulb(s) not installed correctly.</li> <li>2. Wires in outlet box not wired properly.</li> <li>3. Wall switch to fan is off.</li> <li>4. Wires not connected properly.</li> </ol>	<ol style="list-style-type: none"> <li>1. Re-install bulb(s).</li> <li>2. Check wires in outlet box and, if necessary, re-wire according to instructions on pages 8 and 9.</li> <li>3. Make sure wall switch to fan is on.</li> <li>4. Check molex connections in light kit fitter are connected properly.</li> </ol>

**NOTE:** A small amount of "wobble" is normal and should not be considered a defect.

## **LITEX LIFETIME LIMITED WARRANTY**

---

LITEX INDUSTRIES, LTD. warrants this fan to the original household purchaser for indoor use under the following provisions:

**1-YEAR WARRANTY:** LITEX INDUSTRIES, LTD. will replace or repair any fan which has faulty performance due to a defect in material or workmanship. Contact Customer Service at 1-800-527-1292 to arrange for return of fan. Return fan, shipping prepaid, to Litex Industries, Ltd. We will repair or ship you a replacement fan, and we will pay the return shipping cost.

**5-YEAR WARRANTY:** LITEX INDUSTRIES, LTD. will repair or replace, at no charge to the original purchaser, any fan motor that fails to operate satisfactorily when failure results from normal use. **RETURN FAN MOTOR ONLY**, shipping prepaid, to Litex Industries. We will repair or ship purchaser a replacement motor and Litex will pay the return shipping cost.

**6-YEAR to LIFETIME LIMITED WARRANTY:** LITEX INDUSTRIES, LTD. will repair the fan, at no charge to the original purchaser for labor only, if the fan motor fails to operate satisfactorily when failure results from normal use. Parts used in the repair will be billed to the purchaser at prevailing prices at time of repair.

The purchaser shall be responsible for all costs incurred in the removal, reinstallation and shipping of the product for repairs.

This warranty does not apply when damage from mechanical, physical, electrical or water abuse results in causing the malfunction. Deterioration of finishes or other parts due to time or exposure to salt air is specifically exempted under this warranty.

Neither Litex Industries nor the manufacturer will assume any liability resulting from improper installation or use of this product. In no case shall the company be liable for any consequential damages for breach of this, or any other warranty expressed or implied whatsoever. This limitation as to consequential damages shall not apply in states where prohibited.

