



Text 1-812-652-2525
(US and Canada only, carrier fees may apply)



Visit www.maxicosi.com



Call 1-800-544-1108



Email support@djgusa.com



Learn More

©2025 Dorel Juvenile Group, Inc. (800) 544-1108 www.maxicosi.com. Styles, colors, and labeling may vary. Made in CHINA. Distributed by Dorel Juvenile Group, Inc., 2525 State St., Columbus, IN 47201-7494. Dorel Juvenile Canada, 2233 Argentinia Road, Suite 110, Mississauga, ON L5N 2X7. Representante exclusivo en Chile: DOREL JUVENILE CHILE S.A. Av. del Parque 4161, oficina 602 A, Huechuraba, Santiago, Chile - Fono: 56 2 24971500 - www.infanti.cl - www.dorel.cl. Importado y distribuido en Perú por: COMEXA COMERCIALIZADORA EXTRANJERA S.A. SUCURSAL DEL PERÚ - Los Libertadores 455, San Isidro, Lima 27, Lima, Perú RUC 20431062870 - Fono: 4413029 - www.infanti.com.pe. En Centro América, Caribe y Ecuador por: Best Brands Group S.A. - Av. Balboa, Bay Mall Plaza, Planta Baja, local 9, Panamá. - Fono: (507) 300 2884. En Colombia por: Baby Universe S.A.S. - Vía 40 No. 77-29, Barranquilla, Colombia - Fono: (575) 353 1110 Importador: DJGM, S.A. DE C.V. Gabriel Mancera No. 1041 Col. Del Valle, Benito Juárez C.P. 03100 México, Ciudad de México R.F.C. DJG140305GN9 Tel. (55) 67199202

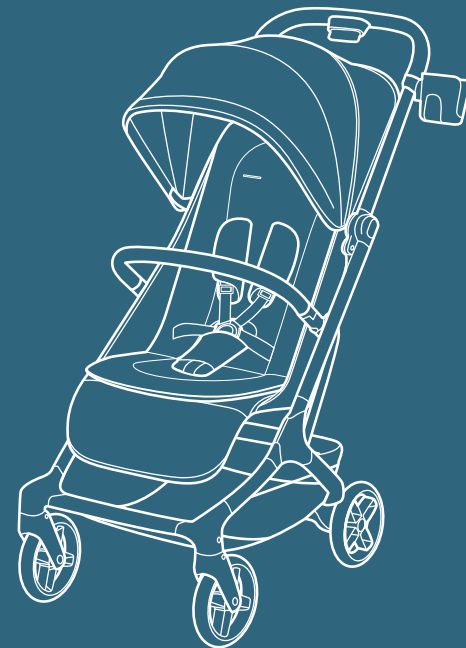


Oxford Cabin Lightweight Travel Stroller

Max 50 lb (22.7 kg), 45 in. (114.3 cm)

Your model may look different than the one shown.

CV471



4358-8746 08.13.25

Read all instructions before assembly and use of product. Keep instructions for future use.

STROLLER is suitable for a child, who can sit up unassisted, up to 50 lb (22.7 kg) and 45 in. (114.3 cm), and WHEN SEATED, the midpoint of the child's head is at or below the top of the stroller seat.

Storage maximum weight is 11 lb (5 kg).

Cup holder maximum weight is 1 lb (0.5 kg).

Adult assembly required.

WARNING

- Failure to follow these instructions could result in the death or serious injury of your child.
- **NEVER LEAVE CHILD UNATTENDED. ALWAYS** keep child in view when in stroller.
- **AVOID SERIOUS INJURY** from falling or sliding out. **ALWAYS** use seat belt. Check frequently to make sure it is secure.
- **ALWAYS** keep fingers away from moving parts, when folding, unfolding, or adjusting stroller to prevent finger entrapment.
- **ALWAYS** make sure stroller is **FULLY OPEN AND LOCKED** before using.
- **ALWAYS** use the brakes when stroller is stopped.
- **ALWAYS** remove protective material and poly bags and dispose before assembly.
- **NEVER** put hot liquids in the cup holder.
- **NEVER** use stroller on stairs or escalators.
- **NEVER** rollerblade with stroller.

- **NEVER** allow children to play with or hang onto the stroller.
- **NEVER** allow children to climb into the stroller unassisted. Stroller may tip over and injure child.
- **NEVER** place or hang parcels, bags, or accessories on the product, handle, or canopy. The stroller may become unstable, or tip over.
- **NEVER** place more than 1 lb (0.5 kg) in cup holder.
- This product may become unstable if package carrying accessories, other than recommended by the manufacturer, are added.
- This product will become unstable if the manufacturer's recommended loads are exceeded.
- **ONLY** use this stroller with **ONE** child at a time.
- **STROLLER** is for use with children who can sit up unassisted, and is **NOT** recommended for newborns.

Table of Contents

Getting Started	5	Attaching the Car Seat to the Stroller Frame.....	23
Parts of the Stroller	6	Removing the Car Seat from the Stroller Frame.....	26
Assembly	8	Care and Maintenance.....	28
Unfolding the Stroller.....	9	Cleaning the Stroller.....	29
Installing the Bumper Bar	10	Removing the Front Wheels	30
Installing the Cup Holder	11	Installing the Front Wheels.....	31
Use.....	12	Removing the Rear Wheels.....	30
Using the Parking Brake	13	Installing the Rear Wheels	31
Using the Canopy.....	14	Replacement Parts	34
Adjusting the Stroller Seat	15	Warranty	35
Adjusting the Leg Rest.....	16		
Adjusting the Harness Straps.....	17		
Securing Your Child in the Stroller	18		
Folding the Stroller.....	20		
Storing the Stroller	21		
Car Seat Compatibility	22		

Getting Started

To help you get started using your child's new stroller, these are the four main tasks you'll need to complete.

1

Assemble
the Stroller

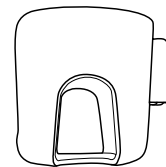
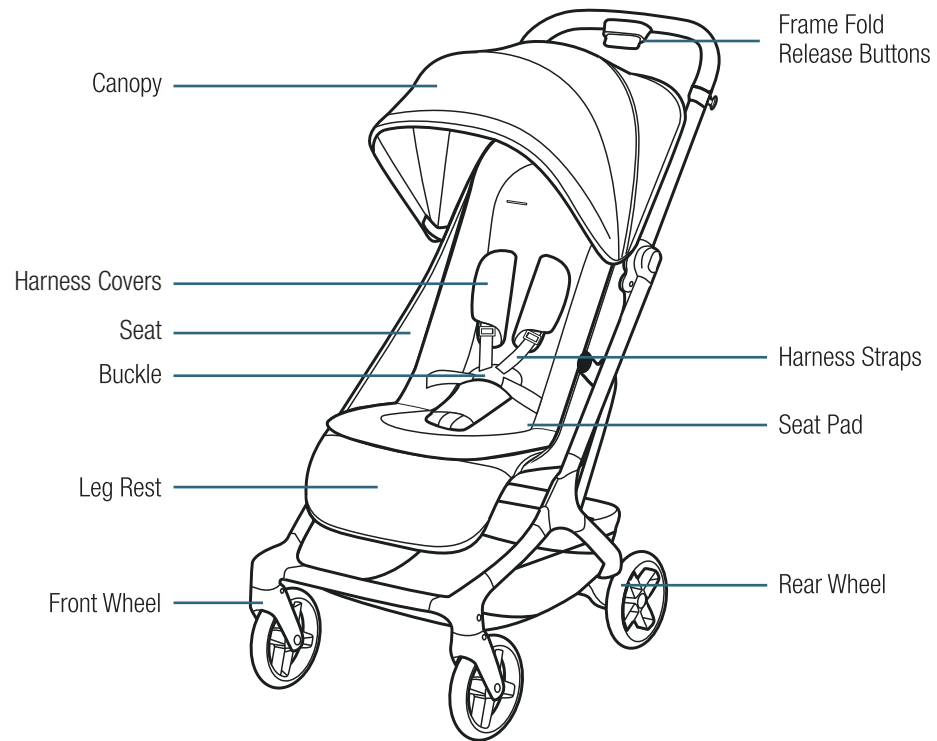
2

Attach a
Maxi-Cosi car
seat if desired

3

Make Any
Adjustments
to Properly Fit
Your Child and
Buckle Up

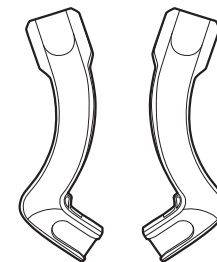
Parts of the Stroller



Cup Holder



Bumper Bar



Infant Car Seat Adapters



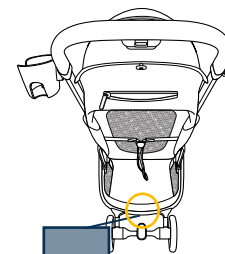
Travel Bag
(shown with stroller inside)

Lay out and identify all of the parts. If any parts are missing, do not return this product to the place of purchase.

Contact Consumer Care via:

- Phone: 1-800-544-1108
- Text: 1-812-652-2525
- Chat: www.maxicosi.com
- Email: support@djgusa.com

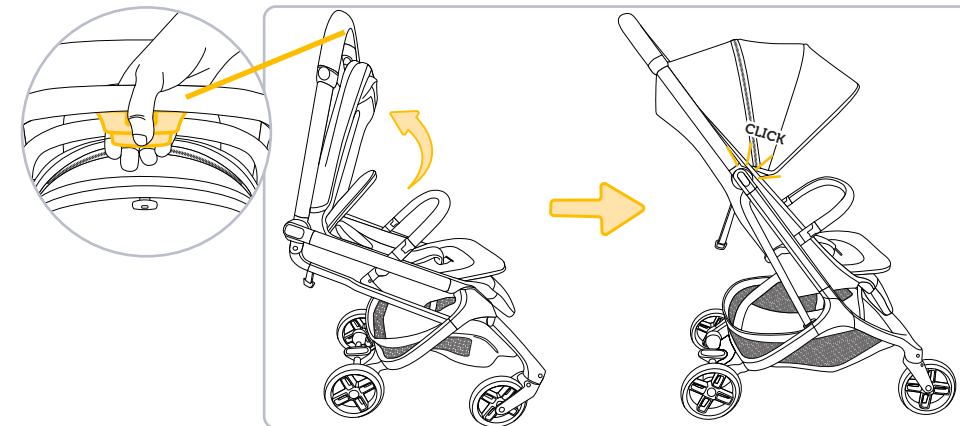
You will need to know the model number (CV471) and manufacture date located on a label on the stroller frame as shown.



Assembly

Unfolding the Stroller	9
Installing the Bumper Bar	10
Installing the Cup Holder	11

Unfolding the Stroller

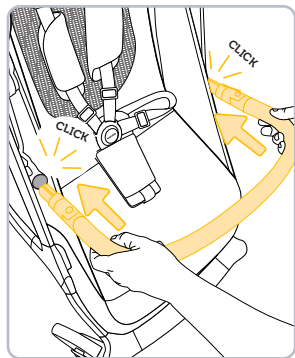


Locate the frame fold release buttons on the handlebar. Squeeze in the small button first and then squeeze in the larger button. While squeezing both buttons, unfold the stroller by pulling it up until it clicks into place.

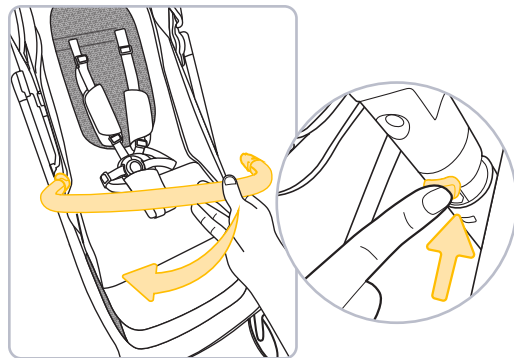
⚠ WARNING

ALWAYS keep fingers away from moving parts, when folding, unfolding, or adjusting stroller to prevent finger entrapment.

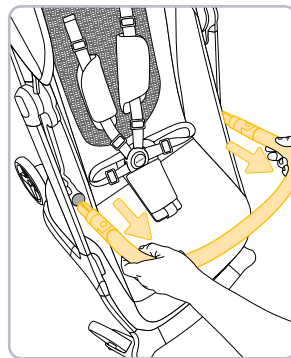
Installing the Bumper Bar



To install the bumper bar: Push both ends of the bumper bar into their respective slots on the stroller until they click into place. Pull on each side to confirm it is secure.

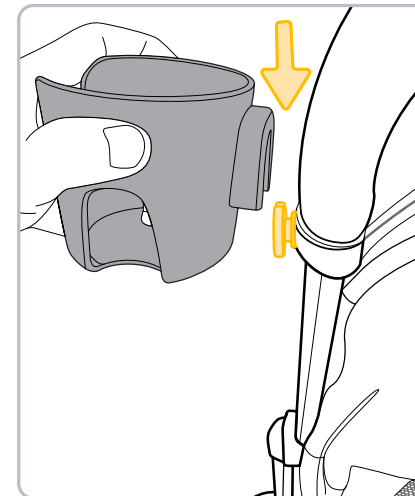


To open the bumper bar: Press the release button on one side of the bumper bar. While pressing the button, pull one side of the bumper bar out and away from the stroller. The bar will be able to move and rotate while open.



To remove the bumper bar: Press both release buttons where the ends of the bumper bar meet the stroller frame. While pressing the buttons, pull the bar out and away from the stroller.

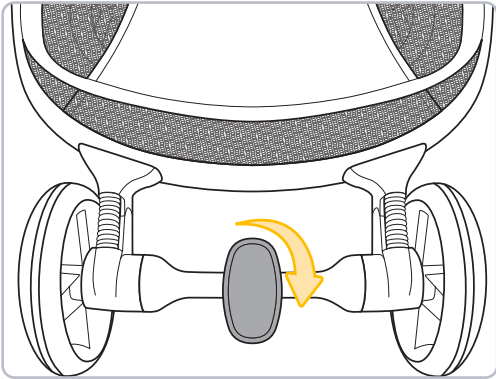
Installing the Cup Holder



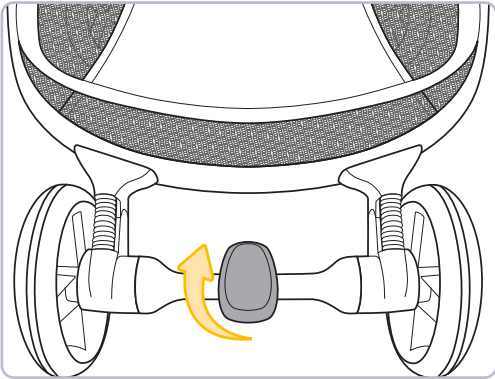
To install the cup holder: Align the cup holder with the post on the side of the frame. Slide the cup holder down onto the post until it clicks into place. There are posts on both sides of the stroller frame; the cup holder can be installed on either one. Pull gently on the side to confirm the cup holder is attached securely.

To remove the cup holder: Push up on the bottom of the cup holder until it slides off the post.

ALWAYS use the parking brake when standing still, even if only for a few moments!



To lock the brake: Push down on the back of the pedal in between the rear wheels.



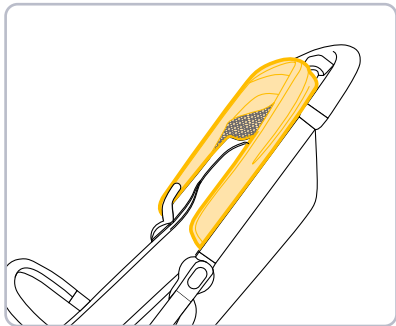
To unlock the brake: Lift the pedal between the rear wheels up, or push the front of the pedal down.

Use

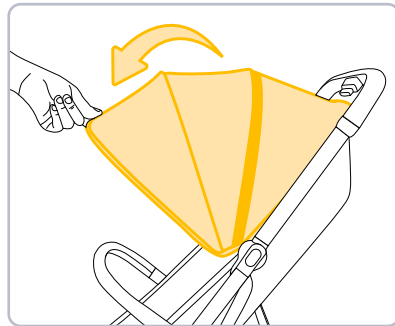
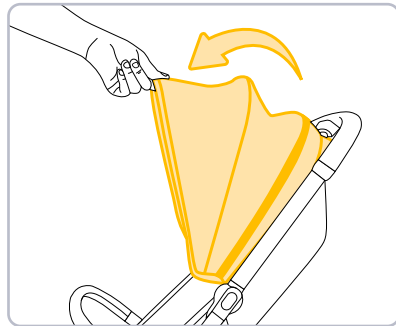
- Using the Parking Brake13
- Using the Canopy.....14
- Adjusting the Stroller Seat15
- Adjusting the Leg Rest.....16
- Adjusting the Harness Straps.....17
- Securing your Child in the Stroller18
- Folding the Stroller.....20
- Storing the Stroller21



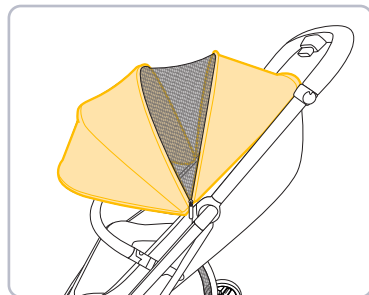
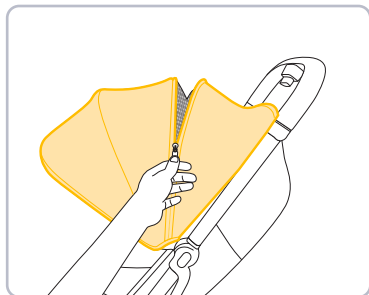
Using the Canopy



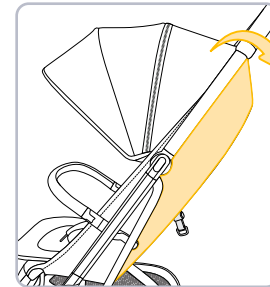
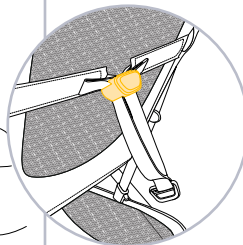
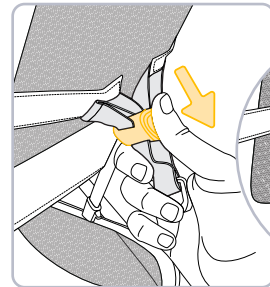
Extend the canopy by pulling it forward.



To further extend the canopy, unzip the canopy to reveal a mesh panel. Pull the canopy forward until it is fully extended.

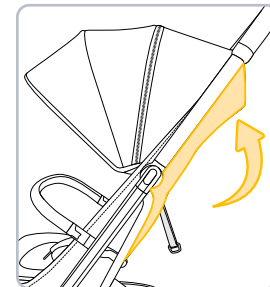
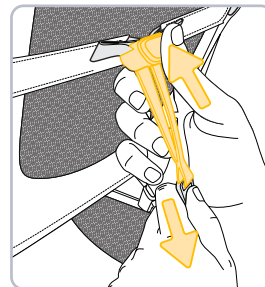


Adjusting the Stroller Seat



Use the recline strap on the back of the stroller to adjust the stroller seat positions.

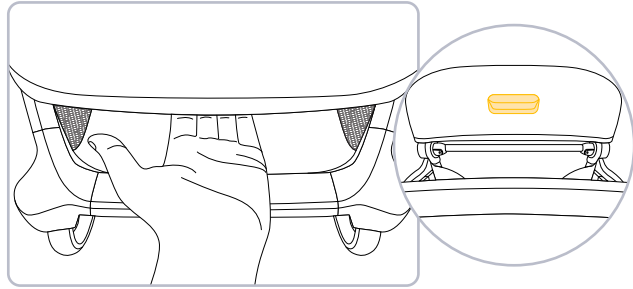
To recline the seat: Press the button on the recline strap. While holding the button, pull the strap back until the seat drops downward.



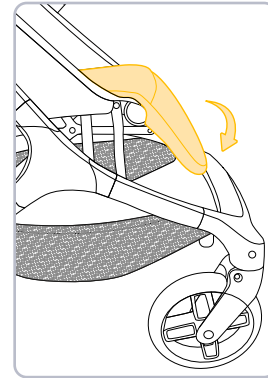
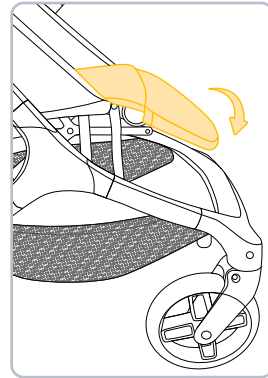
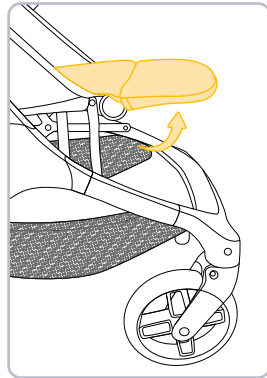
To bring the seat upright: Press the button on the recline strap. While holding the button, pull the strap and slide the button forward until the seat is fully upright.

The seat can also be brought upright by pulling upward on the recline strap with one hand.

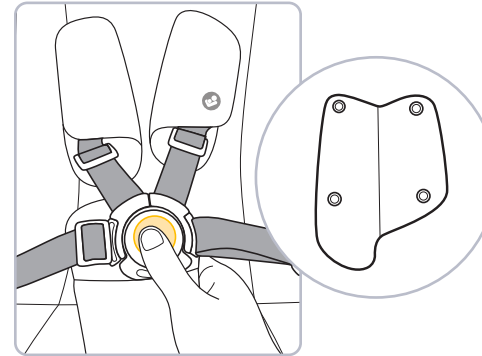
Adjusting the Leg Rest



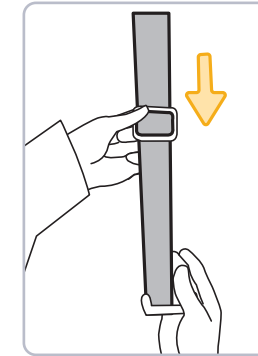
Squeeze the button beneath the leg rest. While squeezing the button, pull the leg rest forward or push it back to one of three positions.



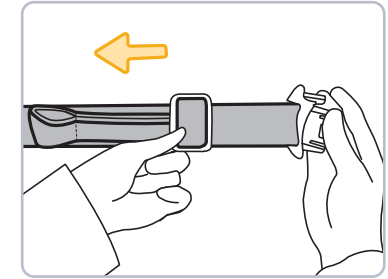
Adjusting the Harness Straps



Press the button to unbuckle the harness. Unfasten the snaps on both harness covers to remove them for easier access to the shoulder straps.

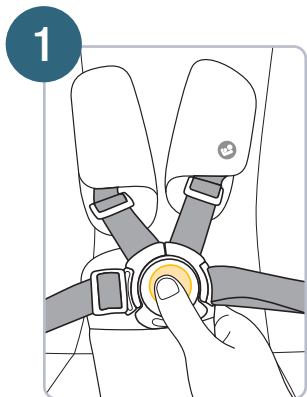


To adjust the length of the shoulder straps: Hold the slide ring in one hand and the buckle clip in the other. Slide the ring up to shorten the strap or down to lengthen it.

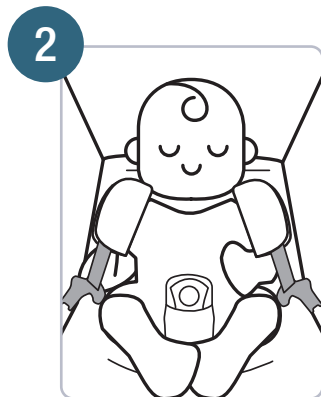


To adjust the length of the waist straps: Pull the waist strap through the slide ring to shorten or lengthen it.

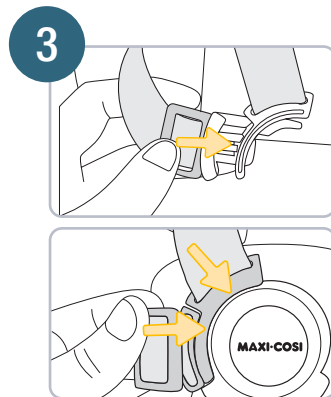
Securing Your Child in the Stroller



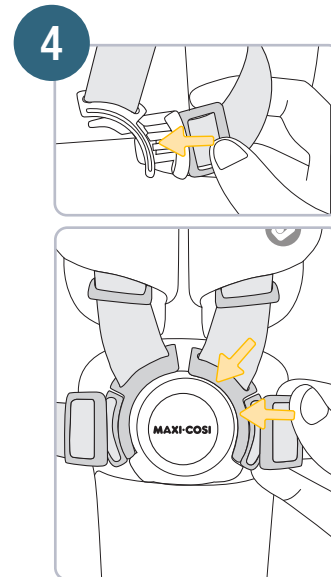
1
Unfasten the harness by pressing the center button on the buckle.



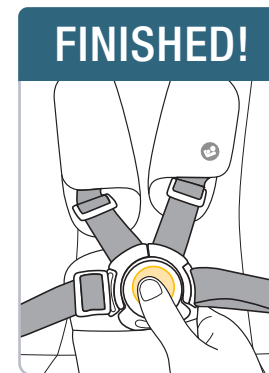
2
Place your child in the stroller seat with the buckle strap between their legs.



3
Fit the waist strap buckle clip on the child's right into the harness strap buckle clip on the same side. It will click into place. Hold them together and insert them into the buckle.



4
Repeat for the other side.

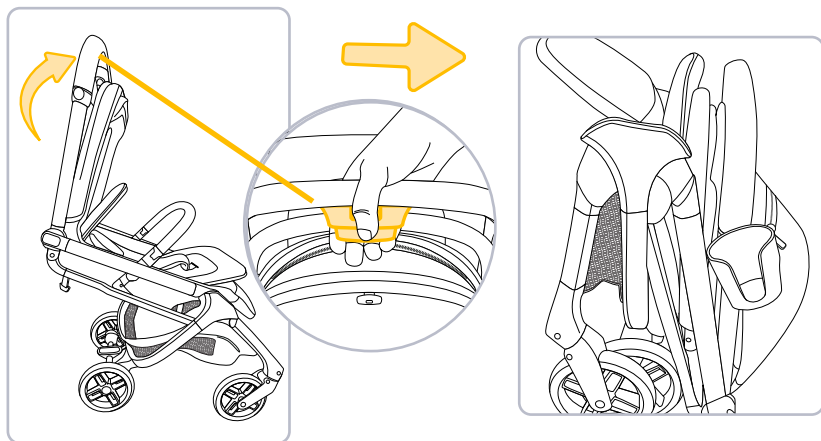


To remove your child from the stroller, press the button to unbuckle the harness.

WARNING

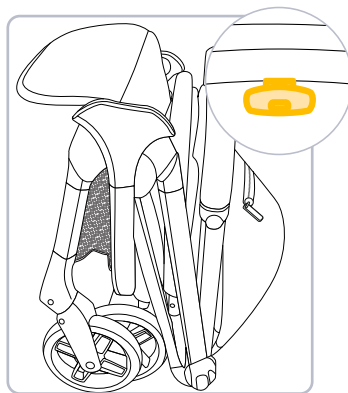
AVOID SERIOUS INJURY from falling or sliding out. **ALWAYS** use seat belt. Check frequently to make sure it is secure.

Folding the Stroller



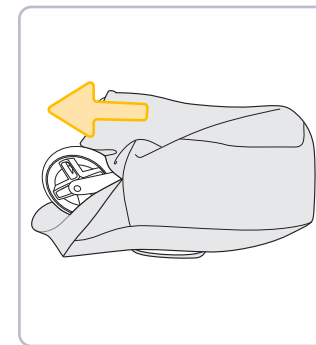
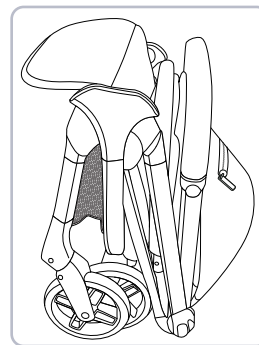
Squeeze in the small frame fold release button and then squeeze the larger button. While squeezing both buttons, push the top of the stroller forward and down until the stroller starts to fold. Lower the stroller frame until it folds into place.

Once the stroller is completely folded, you may store it in the included travel bag (see next page).



For the most compact fold, fasten the toggle on the back of the seat, remove the cup holder, and make sure the leg rest is folded all the way down. To use the leg rest, see page 16. To remove the cup holder, see page 11.

Storing the Stroller



The stroller can be stored inside the included travel bag when folded completely (see previous page). The cup holder and car seat adapters **MUST** be removed before storing the stroller inside the travel bag. To remove the cup holder, see page 11. To remove the car seat adapters, see page 27. Place the bag over the top of the folded stroller and then lay the stroller down. Pull the bag around the bottom of the stroller and then zip.

When inserting the stroller into the travel bag, the stroller's handlebars should be against the side of the bag with the backpack straps. This allows for the most comfortable carrying position.

Car Seat Compatibility

Attaching the Car Seat to the Stroller Frame23

Removing the Car Seat from the Stroller Frame26



Attaching the Car Seat to the Stroller Frame

WARNING

To avoid serious injury:

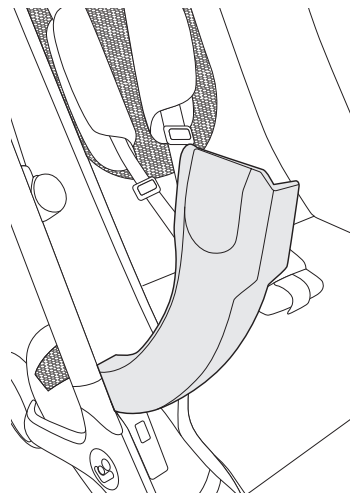
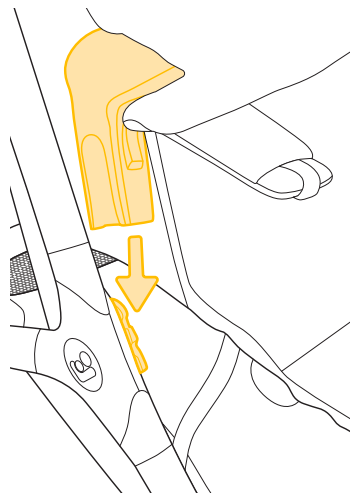
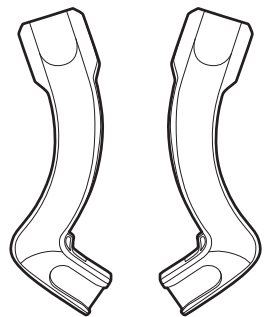
- Please refer to the manufacturer's instructions for the use of your infant car seat.
- **ALWAYS** install car seat facing to the rear of the stroller.
- **ALWAYS** use the restraint system in the car seat.



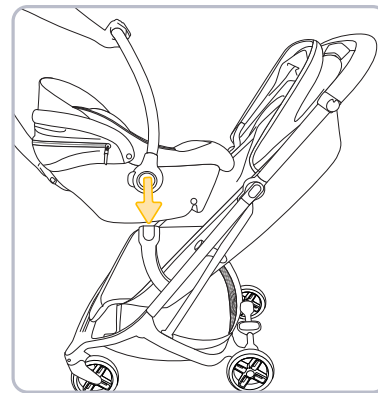
This stroller is compatible with all Maxi-Cosi infant car seats.

The car seat **MUST** be installed parent-facing (also known as rear-facing).

Remove the bumper bar before installing the car seat (see page 10).



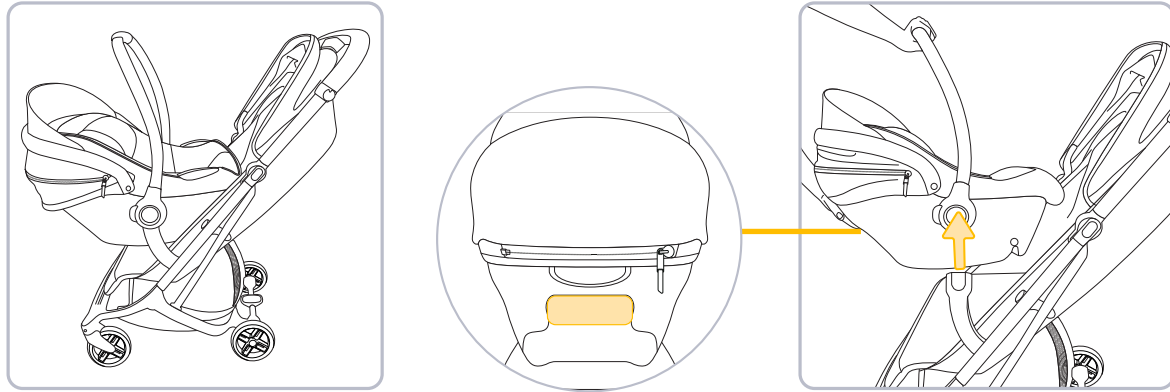
Locate the car seat adapter attachment slots on the stroller frame. Slide the adapters down into the attachment slots until they click into place.



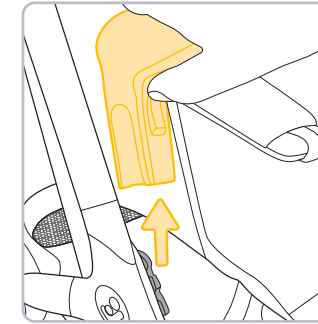
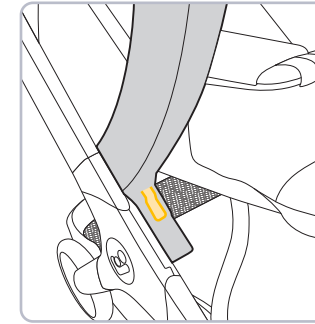
Lower the car seat onto the car seat adapters until it clicks into place. Once installed, pull up on the car seat either at the carry handle or at the handle hubs to check if it is securely attached.



Removing the Car Seat from the Stroller Frame



To remove the car seat: Press and hold the release button on the car seat and lift the car seat off the stroller. Consult your car seat's instruction manual for detailed instructions.



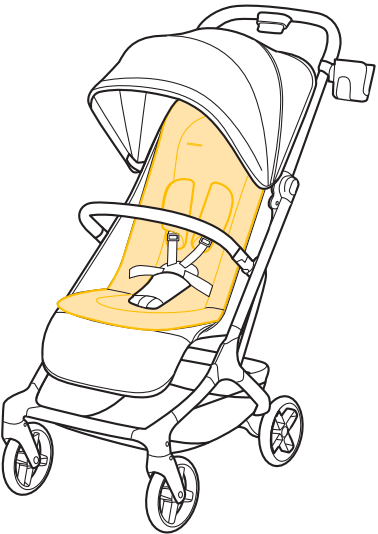
To remove the car seat adapters from the stroller: Press and hold the release button and slide the adapter up and out from the stroller frame. Repeat with the other adapter.

⚠ CAUTION

Before putting the folded stroller into a vehicle, the adapters **MUST** be removed.

Care and Maintenance

- Cleaning the Stroller29
- Removing the Front Wheels30
- Installing the Front Wheels.....31
- Removing the Rear Wheels32
- Installing the Rear Wheels33
- Replacement Parts34
- Warranty35

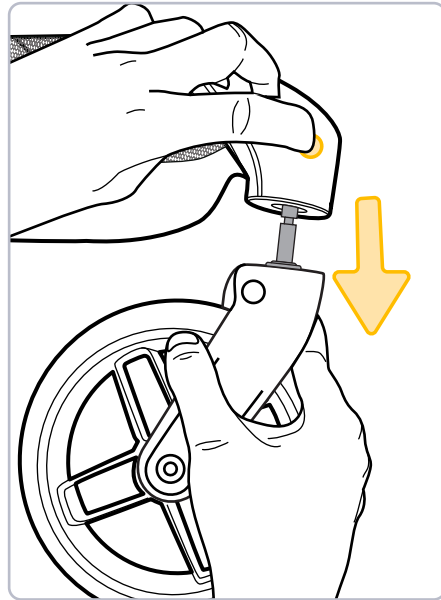
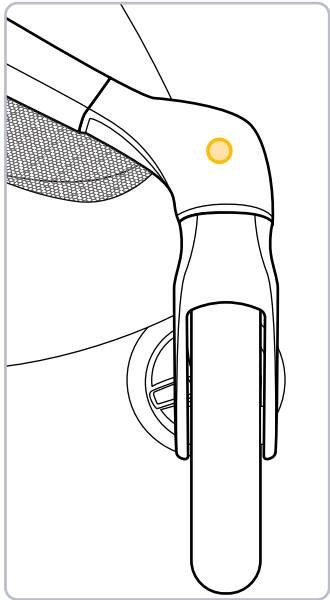


Spot clean the stroller with soap and warm water.

To clean the harness covers, seat pad, and travel bag: Machine wash each item separately with cold water on a gentle cycle. Make sure the harness covers are closed so that the fastening snaps are not exposed. Do not use bleach. Tumble dry alone for 10–12 minutes on low heat. Remove them immediately after.

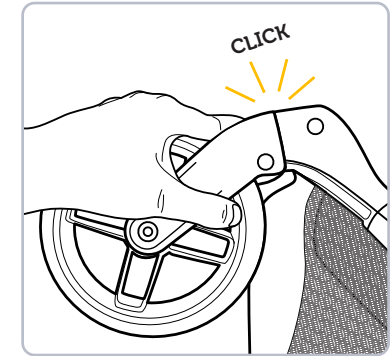
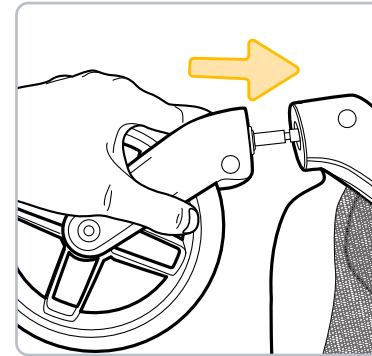
To remove the seat pad: Unbuckle the harness system and remove the harness covers. Pull the harness straps through the seat pad and pull the seat pad out of the stroller.

Removing the Front Wheels



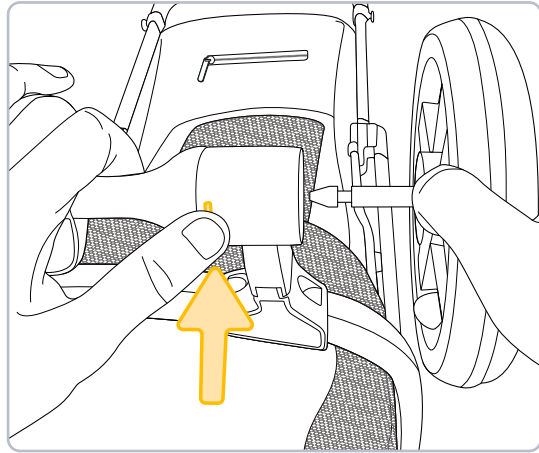
Press the front wheel release button on the stroller frame. While pressing the button down, pull the wheel out of the stroller frame. Repeat for the other wheel.

Installing the Front Wheels



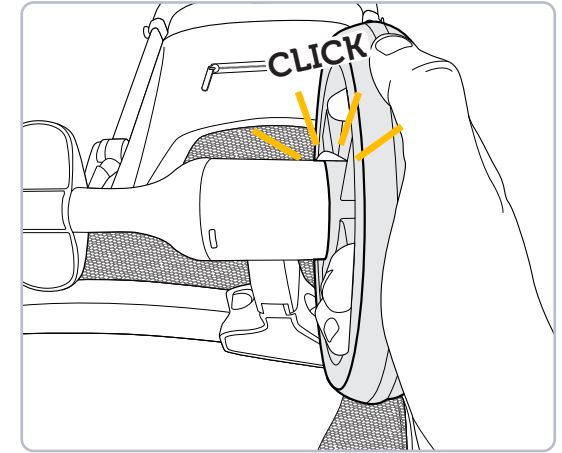
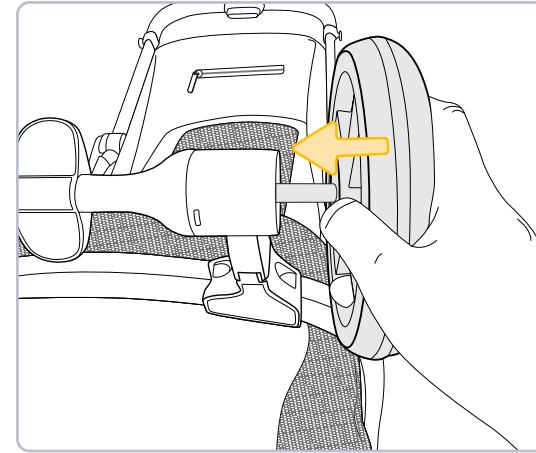
Insert each wheel into the stroller frame until they click into place. Pull on each wheel to make sure they are secured.

Removing the Rear Wheels



Press the rear wheel release button on the back of the stroller frame. While pressing the button down, pull the wheel out of the stroller frame. Repeat for the other wheel.

Installing the Rear Wheels



Insert each wheel into the frame until they click into place. Pull on each wheel to make sure they are secured.

For parts availability and questions, contact Consumer Care. Include the model number (CV471) and manufacture date (found on a sticker on the stroller frame as shown on page 7) and a brief description of the part.

Replaceable Parts List

- Front Wheels (2)
- Rear Wheels (2)
- Harness Strap Covers (2)
- Bumper Bar
- Cup Holder
- Car Seat Adapters
- Seat Pad
- Travel Bag

Call: 1-800-544-1108

Text: 1-812-652-2525

Chat: www.maxicosi.com

Email: support@djgusa.com

Hours of Operation

M–TH: 8:00 AM - 6:00 PM EST

FRI: 8:00 AM - 4:30 PM EST

Two-Year Limited Warranty

Dorel Juvenile Group, Inc. warrants to the original purchaser that this product (Oxford Cabin Lightweight Travel Stroller), is free from material and workmanship defects when used under normal conditions for a period of two (2) years from the date of purchase. Should the product contain defects in material or workmanship Dorel Juvenile Group, Inc., will repair or replace the product, at our option, free of charge. Purchaser will be responsible for all costs associated with packaging and shipping the product to Dorel Juvenile Group Consumer Care Department at the address noted on the back of this document and all other freight or insurance costs associated with the return.

Dorel Juvenile Group will bear the cost of shipping the repaired or replaced product to the purchaser. Product should be returned in its original package accompanied by a proof of purchase, either a sales receipt or other proof that the product is within the warranty period. This warranty is void if the owner repairs or modifies the product or the product has been damaged as a result of misuse. This warranty excludes any liability other than that expressly stated previously, including but not limited to, any incidental or consequential damages. **SOME STATES DO NOT ALLOW THE EXCLUSION OR LIMITATION OF INCIDENTAL OR CONSEQUENTIAL DAMAGES, SO THE ABOVE LIMITATION OR EXCLUSION MAY NOT APPLY TO YOU. THIS WARRANTY GIVES YOU SPECIFIC LEGAL RIGHTS, AND YOU MAY ALSO HAVE OTHER RIGHTS THAT MAY VARY FROM STATE TO STATE.**