

Serenelife



**SLAIRFM10BL - SLAIRFM10RD
SLAIRFM10YL**

air mover

user manual

visit our website



SCAN ME

serenelifehome.com

PLEASE KEEP THIS MANUAL CAREFULLY FOR FUTURE REFERENCE. FOR HOUSEHOLD USE ONLY.

TABLE OF CONTENTS

Features and Technical Specs ----- 03

Safety Instructions ----- 04

Part Diagram ----- 05

Usage ----- 05

4 Airflow positions ----- 06

Cleaning, Maintenance, & Storage Guide ----- 07

Register Product ----- 07



SLAIRFM25YL



SLAIRFM25RD



SLAIRFM25BL

California Prop 65 Warning

⚠️ WARNING:

This product may expose you to chemicals, which is known to the state of California to cause cancer, birth defects and other reproductive harm. Do not ingest.

For more info go to: www.P65warnings.ca.gov



Unique Elements:

- Impact-resistant PE Housing for Enhanced Durability

Features:

- High-speed Airflow for Rapid Drying and Optimal Air Circulation in Homes, Garages, and Workspaces
- 3 Speed Settings with Airflow Options
- 4 Adjustable Blower Angles (0°, 15°, 45°, and 90°)
- Stackable Design Allows you to Efficiently Store and Transport up to 4 Units
- Comes with a 10 ft. 14AWG Power Cord with Daisy Chain Feature to Connect Multiple Units for Expanded Coverage
- Compact and Portable Design
- Durable and Sturdy Construction
- No Assembly Required
- Simple plug-in operation for immediate use
- Can be Positioned Horizontally or Vertically, Providing Flexible Airflow for Both Drying and Ventilation
- Energy-efficient Design with Low Noise Operation (≤ 70 dB)
- Lightweight Design with Integrated Carrying Handle
- Helps Restore Dryness to Wet Floors, Carpets, and Other Surfaces
- Ideal for Drying Carpets, Floors, Walls, Furniture, and More

What's in the Box:

- Portable Air Mover

Technical Specs:

- Construction Materials: Plastic PE
- Power Supply: 120V AC, 60Hz
- Power Consumption: 350W
- Fan Speeds: 3 (Low/Medium/High) – Low: 1200 RPM, Medium: 1400 RPM, High: 1600 RPM
- Airflow: 600 / 800 / 1000 CFM (Low / Medium / High)
- Motor Power: 1/2 HP
- Motor Type: High-quality Low-noise Motor
- Operating Noise Level: ≤ 70 dB
- Safety Features: Overheat Protection and Automatic Shut-off
- Power Cord Length: 15 ft.
- Item Weight: 15 lbs.
- Product Dimensions (L x W x H): 14.4 x 13.8 x 15.0 Inches

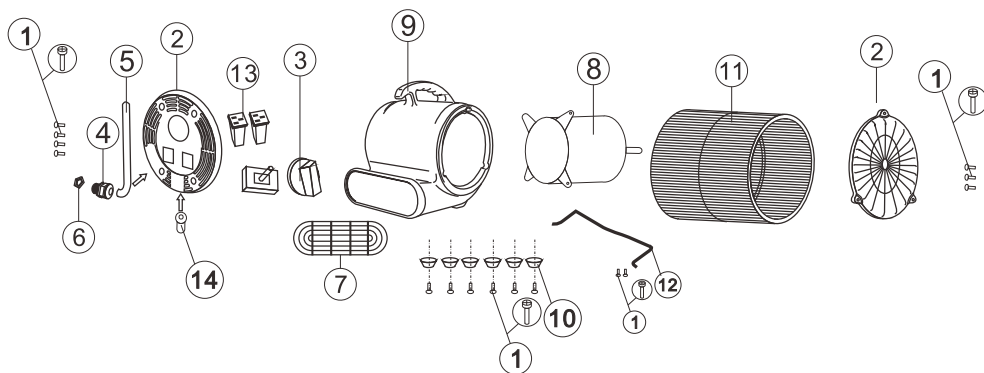
Safety Instructions

READ ALL INSTRUCTIONS AND WARNINGS BEFORE USE.

To reduce the risk of fire, electric shock, or injury, please adhere to the following:

1. **Water Hazard:** To prevent electric shock, do not operate the unit in standing water. Never plug in or unplug the unit with wet hands or while standing in water.
2. **Airflow Direction:** To avoid the risk of injury, do not direct airflow at the face or body.
3. **Speed Controls:** To reduce the risk of fire or electric shock, do not use this Air Mover with any solid-state speed control device.
4. **Grounded Outlets:** Use only with GFCI (Ground Fault Circuit Interrupter) protected receptacles. Contact a qualified electrician for verification or installation of a GFCI receptacle if necessary.
5. **Damaged Components:** Do not operate the Air Mover with a damaged cord or plug. Discard the unit or return it to an authorized service facility for examination and repair.
6. **Maintenance:** Always unplug the Air Mover from the power supply before servicing or cleaning.
7. **Cord Safety:** Do not run the power cord under carpeting. Do not cover the cord with throw rugs, runners, or similar coverings. Position the 10 ft (3.05 m) power cord away from high-traffic areas to prevent tripping.
8. **Child Safety:** Do not allow children to play with or around the Air Mover at any time.
9. **Transport:** Do not move or carry the Air Mover while the unit is operating.
10. **Supervision:** The Air Mover must be supervised at all times while in operation.

Part Diagram



- | | |
|-------------------------------|--|
| 1. Screw | 8. AC Motor |
| 2. On/Off Rocker Switch | 9. Blower Housing |
| 3. Rocker Switch Cup | 10. Rubber Foot |
| 4. Strain Relief | 11. Blower Wheel (Cage) |
| 5. Power Cord: 10 ft (3.05 m) | 12. Kickstand |
| 6. Hex Nut | 13. Digital AV Port (Auxiliary Socket) |
| 7. Front Guard | 14. Circuit Breaker |

Usage

1. Plug the power cord into a 3-prong GFCI outlet.
2. Place the Air Mover on a stable, flat, and dry surface.
3. Adjust the unit to one of the 4 available angles to direct airflow.
4. Turn the power switch to the desired speed. Ensure the unit is operating normally. **Note:** The Air Mover must be supervised at all times during operation.



Stackable up to 4



Daisy Chain: You may connect up to 5 units using the auxiliary digital AV port (Max: 9A, 115V, 800W).

4 Airflow positions

0°



15°



45°



90°



Cleaning, Maintenance, & Storage Guide

To keep your Air Mover in top condition and ensure a long lifespan, follow these simple steps:

1. Cleaning

- **Safety First:** Always unplug the unit before cleaning.
- **Exterior:** Use a damp (not dripping) cloth with a mild detergent to wipe down the PE housing.
- **Grills:** Use a vacuum with a brush attachment or compressed air to remove lint and dust from the intake and exhaust guards.
- **Prohibited:** Never use a garden hose or pressure washer to clean the unit, as water can damage the motor.

2. General Maintenance

- **Cord Inspection:** Regularly check the power cord for frays, cuts, or damage. If the cord is damaged, do not use the unit.
- **Hardware:** Periodically check that the rubber feet and housing screws are tight.
- **Motor:** The motor is permanently lubricated and does not require oiling.

3. Proper Storage

- **Cord Wrap:** Neatly wrap the 10 ft (3.05 m) power cord to avoid tripping hazards or damage to the wire.
- **Stacking:** You may stack up to 4 units high to save space. Ensure they are aligned securely before moving.
- **Environment:** Store the unit indoors in a dry, clean place. Keep it out of reach of children and away from extreme temperatures.

Register Product

Thank you for choosing SereneLife. By registering your product, you ensure that you receive the full benefits of our exclusive warranty and personalized customer support. Complete the form to access expert support and to keep your SereneLife purchase in perfect condition.

Start Here



Model Number:
SLAIRFM25BL

[Serenelifehome.com/pages/register](https://serenelifehome.com/pages/register)



questions? comments?

We are here to help!

Phone: 1.718.535.1800

[serenelifehome.com/contact us](https://serenelifehome.com/contact-us)