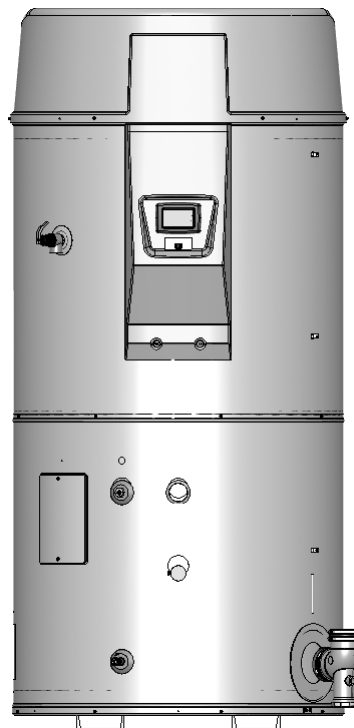


**GAS-FIRED**



**MODELS**  
**FLEX LARGE VOLUME**  
 220 Gal/ 250 Gal  
 SERIES 400/401/450/451

**INSTALLATION - OPERATION - SERVICE**  
**- MAINTENANCE - TROUBLESHOOTING**



**WARNING:** If the information in these instructions is not followed exactly, a fire or explosion may result causing property damage, personal injury or death.

- Do not store or use gasoline or other flammable vapors and liquids in the vicinity of this or any other appliance.
- **WHAT TO DO IF YOU SMELL GAS:**
  - Do not try to light any appliance.
  - Do not touch any electrical switch; do not use any phone in your building.
  - Immediately call your gas supplier from a neighbor's phone. Follow the gas supplier's instructions.
  - If you cannot reach your gas supplier, call the fire department.
- Installation and service must be performed by a qualified installer, service agency or the gas supplier.

*Thank you for buying this energy efficient water heater. We appreciate your confidence in our products.*

**⚠ WARNING**

**Safety Hazard**



Failure to follow these instructions and safety messages could result in death or serious injury. Read and understand this instruction manual and the safety messages herein before installing, operating or servicing this water heater. This manual must remain with the water heater.

**For Your Safety**

AN ODORANT IS ADDED TO THE GAS USED BY THIS WATER HEATER.

PLACE THESE INSTRUCTIONS ADJACENT TO HEATER AND NOTIFY OWNER TO KEEP FOR FUTURE REFERENCE.

KEEP THIS MANUAL IN THE POCKET ON HEATER FOR FUTURE REFERENCE WHENEVER MAINTENANCE ADJUSTMENT OR SERVICE IS REQUIRED.

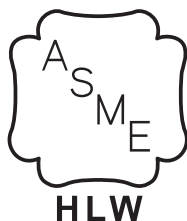


# CONTENTS

APPROVALS .....	3	Horizontal Termination Installation .....	37
GENERAL SAFETY INFORMATION .....	3	Polypropylene Installations .....	39
Do Not Operate If Damaged .....	3	AL29-4C <sup>®</sup> Vent Installations.....	39
Limiting the Risk of Scalding .....	3	Concentric Termination Installation Preparation.....	40
Grounding Instructions .....	3	Concentric Termination Installation.....	41
Hydrogen Gas Flammable.....	3	Low-Profile Vent Termination installation .....	44
Important Definitions .....	4	Venting Arrangements.....	45
Hazard Messages .....	4	Termination Clearances Sidewall Power Vent.....	47
INTRODUCTION .....	8	Termination Clearances Sidewall Direct Vent .....	48
Abbreviations Used.....	8	WATER HEATER INSTALLATION .....	49
Qualifications.....	8	Condensate Drain Installation .....	49
iCOMM and BMS/EMS Compatibility .....	8	Leak Detection Module Installation.....	50
Building Management System .....	8	Supply Gas Line Installation .....	50
Leak Detection .....	8	Gas Line Leak Testing .....	52
AUTOMATIC WATER Shut-off Valve.....	8	Electrical Wiring.....	52
Preparing for the Installation.....	8	T&P Valve Discharge Pipe .....	54
FEATURES AND COMPONENTS.....	10	START UP .....	55
Basic Operation .....	10	Prior to Start up.....	55
Modulation .....	10	Initial Start Up.....	55
Blower/Burner Assembly Detail .....	11	Lighting the Water Heater .....	58
Components- Top View (All Models) .....	12	Supply Gas Pressure Adjustment.....	59
Capacities and Performance .....	14	Checking The Firing Rate .....	59
INSTALLATION CONSIDERATIONS .....	15	High Altitude Installations .....	60
Rough-In Dimensions.....	15	TEMPERATURE REGULATION.....	61
Locating the Water Heater .....	17	High Temperature Limit Control .....	61
Optional Terminations .....	18	Thermostat Control .....	61
Hard Water .....	18	Firing Rate Modulation .....	62
Circulation Pumps.....	18	High Temperature Applications .....	62
Insulation Blankets .....	19	CONTROL SYSTEM OPERATION .....	63
INSTALLATION REQUIREMENTS .....	20	Limiting the Risk of Scalding .....	63
Gas Supply Systems .....	20	Wi-Fi .....	63
Supply Gas Regulator.....	20	Lockout Function .....	63
Power Supply .....	20	Control System Overview .....	63
Mixing Valves .....	21	Control System Navigation.....	64
Dish-washing Machines .....	21	User Settings & Control System Menus .....	65
Closed Water Systems .....	21	MAINTENANCE .....	77
Thermal Expansion .....	22	Draining And Flushing.....	77
Temperature-Pressure Relief Valve.....	22	Sediment Removal.....	78
Condensate Drain .....	23	Drain Valve and Access Panels.....	79
Combustible Material Storage.....	24	Burner Flame Inspection .....	79
Contaminated Air.....	24	Anode Rod Maintenance .....	80
Air Requirements.....	24	Temperature-Pressure Relief Valve Test .....	80
Fresh Air Openings For Confined Spaces .....	25	Vent System Maintenance .....	81
Massachusetts Requirements.....	28	TROUBLESHOOTING .....	82
VENTING INSTALLATION .....	29	Startup Conditions.....	82
General Venting Information .....	29	Operational Conditions.....	82
Category IV Appliances.....	30	Installation Checklist.....	82
General Venting Instructions .....	31	Sequence Of Operation .....	83
Venting Requirements .....	32	Operational Problems.....	85
COMMON VENTING.....	34	Fault And Alert Conditions.....	87
Venting Installation Sequence .....	34	DIAGRAMS .....	100
Power Vent Installation.....	34	Wiring Diagrams .....	100
Direct Vent Installation .....	34	Piping Diagrams.....	102
Vertical Termination Installation.....	36		



## APPROVALS



## GENERAL SAFETY INFORMATION

### DO NOT OPERATE IF DAMAGED


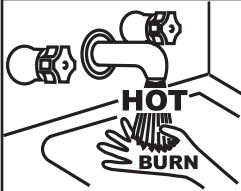
**DO NOT USE THIS WATER HEATER IF ANY PART HAS BEEN EXPOSED TO FLOODING OR WATER DAMAGE.** Immediately call a qualified service agency to inspect the water heater and to make a determination on what steps should be taken next.

If the unit is exposed to the following, do not operate heater until all corrective steps have been made by a qualified service agency.

1. External fire.
2. Damage.
3. Firing without water.

### LIMITING THE RISK OF SCALDING

For a variety of reasons, water heaters can produce water that is much hotter than its temperature setting. Take precautions to prevent this higher temperature water from reaching the water fixtures.

 <b>WARNING</b>	
<b>Burn Hazard</b>	
	<p>The temperature of the water in the water heater can exceed the thermostat setting and be hot enough to cause burns.</p> <p>To reduce the risk of unusually hot water reaching the fixtures in the house, install point of use thermostatic mixing valves at each point of use.</p>

According to a national standard, *Performance Requirements for Water Temperature Limiting Devices (ASSE 1070)* and many local plumbing codes, the water heater's gas control valve should not be used as the sole means to regulate water temperature and avoid scalds.

A properly adjusted thermostatic mixing valve at each point of use allows you to set the tank temperature to a higher setting without increasing risk of scalds. A higher temperature setting allows the tank to provide


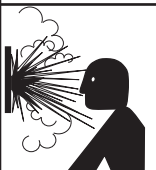
much more hot water and can help provide proper water temperatures for appliances such as dishwashers and washing machines.

### GROUNDING INSTRUCTIONS

This water heater must be grounded in accordance with the *National Electrical Code* and/or local codes. These codes must be followed in all cases. Failure to ground this water heater properly may also cause erratic control system operation.

This water heater must be connected to a grounded metal, permanent wiring system; or an equipment grounding conductor must be run with the circuit conductors and connected to the equipment grounding terminal or lead on the water heater.

### HYDROGEN GAS FLAMMABLE

 <b>WARNING</b>	
<b>Explosion Hazard</b>	
	<p>Flammable hydrogen gases can form in water pipes. The hydrogen can explode if it is exposed to flame and can cause severe injury or death.</p> <p>Keep all ignition sources away from faucet when turning on hot water.</p>

Hydrogen gas can be produced in a hot water system served by this water heater that has not been used for a long period of time (generally two weeks or more). Hydrogen gas is extremely flammable. To reduce the risk of injury under these conditions, it is recommended that a hot water faucet served by this water heater be opened for several minutes before using any electrical appliance connected to the hot water system. If hydrogen is present there will probably be an unusual sound such as air escaping through the pipe as the water begins to flow. **There should be no smoking or open flame near the faucet at the time it is open.**

**Verify that the power to the water heater is turned off before performing any service procedures. The Enable/Disable switch on front panel disables the gas valve. Electrical supply must be turned off at circuit breaker serving water heater.**

**IMPORTANT DEFINITIONS**

**Qualified Installer:** A qualified installer must have ability equivalent to a licensed tradesman in the fields of plumbing, air supply, venting and gas supply, including a thorough understanding of the requirements of the *National Fuel Gas Code, ANSI Z223.1/NFPA 54* as it relates to the installation of gas fired water heaters. The qualified installer must also be familiar with the design features and use of flammable vapor ignition resistant water heaters and have a thorough understanding of this Installation and Operating manual.


**Service Agency:** A service agency also must have ability equivalent to a licensed tradesman in the fields of plumbing, air supply, venting and gas supply, including a thorough understanding of the requirements of the *National Fuel Gas Code, ANSI Z223.1/NFPA 54* as it relates to the installation of gas fired water heaters. The service agency must also have a thorough understanding of this Installation and Operating manual, and be able to perform repairs strictly in accordance with the service guidelines provided by the manufacturer.

**Gas Supplier:** The Natural Gas or Propane Utility or service who supplies gas for utilization by the gas burning appliances within this application. The gas supplier typically has responsibility for the inspection and code approval of gas piping up to and including the Natural Gas meter or Propane storage tank of a building. Many gas suppliers also offer service and inspection of appliances within the building.

**HAZARD MESSAGES**


Your safety and the safety of others is extremely important in the installation, use and servicing of this water heater. Many safety-related messages and instructions have been provided in this manual and on your own water heater to warn you and others of a potential injury hazard. Read and obey all safety messages and instructions throughout this manual. It is very important that the meaning of each safety message is understood by you and others who install, use or service this water heater.

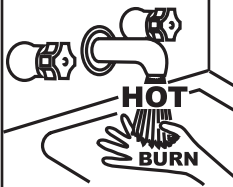
Many safety-related messages and instructions have been provided in this manual and on your own water heater to warn you and others of a potential injury hazard. Read and obey all safety messages and instructions throughout this manual. It is very important that the meaning of each safety message is understood by you and others who install, use, or service this water heater.


	This is the safety alert symbol. It is used to alert you to potential personal injury hazards. Obey all safety messages that follow this symbol to avoid possible injury or death. Keep this manual near the water heater.
---	--


<b>⚠ DANGER</b>	<b>DANGER</b> indicated an imminently hazardous situation which, if not avoided, will result in injury or death.
<b>⚠ WARNING</b>	<b>WARNING</b> indicates a potentially hazardous situation which if not avoided could result in injury or death.
<b>⚠ CAUTION</b>	<b>CAUTION</b> indicates a potentially hazardous situation which, if not avoided, could result in minor or moderate injury.
<b>CAUTION</b>	<b>CAUTION</b> used without the safety alert symbol indicates a potentially hazardous situation which, if not avoided could result in property damage

All safety messages will generally tell you about the type of hazard, what can happen if you do not follow the safety message, and how to avoid the risk of injury.


<b>⚠ WARNING</b>	
<b>Safety Hazard</b>	
	<p><b>Failure to follow these instructions and safety messages could result in death or serious injury.</b></p> <p>Read and understand this instruction manual and the safety messages herein before installing, operating or servicing this water heater.</p> <p>This manual must remain with the water heater.</p>


<b>⚠ WARNING</b>	
<b>Burn Hazard</b>	
	<p><b>The temperature of the water in the water heater can exceed the thermostat setting and be hot enough to cause burns.</b></p> <p>To reduce the risk of unusually hot water reaching the fixtures in the house, install point of use thermostatic mixing valves at each point of use.</p>


<b>⚠ WARNING</b>	
<b>Explosion Hazard</b>	
	<p><b>Flammable hydrogen gases can form in water pipes. The hydrogen can explode if it is exposed to flame and can cause severe injury or death.</b></p> <p>Keep all ignition sources away from faucet when turning on hot water.</p>


<b>CAUTION</b>	
<b>Property Damage Hazard</b>	
	<p><b>Over time, the tank and fittings of the water heater can begin to leak and cause water damage.</b></p> <ul style="list-style-type: none"> <li>• Locate the water heater near an adequate drain and in an area where water leakage from the heater or connections will not result in damage to the area or the lower floors of the structure.</li> <li>• Install the water heater in a drain pan.</li> </ul>




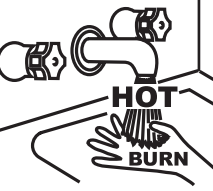
<b>CAUTION</b>	
<b>Property Damage Hazard</b>	
	<p><b>Avoid water heater damage from pressure fluctuations in closed water systems.</b></p> <ul style="list-style-type: none"> <li>• Fill tank with water before operating.</li> <li>• Install thermal expansion tank if necessary.</li> <li>• Do not apply heat to cold water inlet.</li> <li>• Contact qualified installer or service agency.</li> </ul>


<b>WARNING</b>	
<b>Fire and Explosion Hazard</b>	
	<p><b>Read the instruction manual before installing, using, or servicing the water heater.</b></p> <ul style="list-style-type: none"> <li>• Improper use can result in fire or explosion.</li> <li>• Maintain required clearances to combustibles.</li> </ul>


<b>WARNING</b>	
<b>Fire or Explosion Hazard</b>	
	<ul style="list-style-type: none"> <li>• Do not store or use gasoline or other flammable vapors and liquids in the vicinity of this or any other appliance.</li> <li>• Avoid all ignition sources if you smell gas.</li> <li>• Do not expose water heater controls to excessive gas pressure.</li> <li>• Use only the gas shown on the water heater rating label.</li> <li>• Maintain required clearances to combustibles.</li> <li>• Keep ignition sources away from faucets after extended periods of non-use.</li> </ul> <p><b>Read instruction manual before installing, using or servicing water heater.</b></p>

<b>CAUTION</b>	
<b>Property Damage Hazard</b>	
	<p><b>While the water heater is in routine operation, it can release hot water from the temperature-pressure relief valve discharge pipe in quantities that could cause damage to the surroundings.</b></p> <p>Locate the water heater near an adequate drain and in an area where water from the temperature-pressure relief valve discharge pipe will not result in damage to the area or the lower floors of the structure.</p>

<b>WARNING</b>	
<b>Breathing Hazard - Carbon Monoxide Gas</b>	
	<ul style="list-style-type: none"> <li>• Do not obstruct water heater air intake with insulating blanket.</li> <li>• Gas and carbon monoxide detectors are available.</li> <li>• Install water heater in accordance with the instruction manual.</li> </ul>
<p><b>Breathing carbon monoxide can cause brain damage or death. Always read and understand instruction manual.</b></p>	

<b>WARNING</b>	
<b>Burn Hazard</b>	
	<p><b>The temperature of the water in the water heater can exceed the thermostat setting and be hot enough to cause burns.</b></p> <p>If you choose a higher temperature setting, install thermostatic mixing valves at each point-of-use to help avoid scalding.</p>

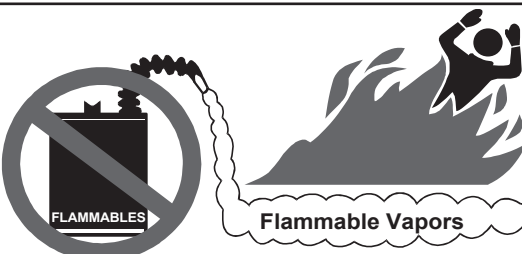
<b>WARNING</b>	
<b>Explosion Hazard</b>	
	<ul style="list-style-type: none"> <li>• Overheated water can cause water tank explosion.</li> <li>• A properly sized temperature and pressure relief valve must be installed in the opening provided.</li> </ul>

<b>WARNING</b>	
<b>Breathing Hazard - Carbon Monoxide Gas</b>	
	<ul style="list-style-type: none"> <li>• Under no circumstances should the input exceed the rate shown on the water heater's rating label.</li> <li>• Overfiring could result in damage to the water heater and sooting.</li> <li>• Gas and carbon monoxide detectors are available.</li> </ul>
<p><b>Breathing carbon monoxide can cause brain damage or death. Always read and understand instruction manual.</b></p>	



**⚠ DANGER**

**Fire or Explosion Hazard**



Flammable Vapors

**⚠** Vapors from flammable liquids may explode and catch fire causing death or severe burns.

Do not use or store flammable products, such as gasoline, solvents, or adhesives in the same room or area near the water heater.

Keep flammable products:

1. Far away from heater.
2. In approved containers.
3. Tightly closed and
4. Out of children's reach

Water heater has a main burner and ignition device. The ignition device:

1. Can come on at any time.
2. Will ignite flammable vapors.

Vapors:


1. Cannot be seen.
2. Are Heavier than air.
3. Go a long way on the floor.
4. Can be carried from other rooms to the ignition device by air currents.

**Installation:**

Do not install the water heater where flammable products will be stored or used unless the main burner and igniter are at least 18" (457 cm) above the floor. This will reduce, but not eliminate the risk of vapors being ignited by the main burner or hot surface igniter.

**⚠ WARNING**

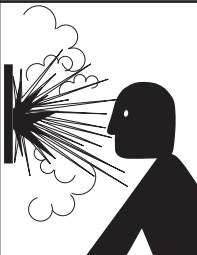
**Fire and Explosion Hazard**



- Do not use water heater with any gas other than the gas shown on the rating label.
- Excessive gas pressure to gas valve can cause serious injury or death.
- Turn off gas lines during installation.
- Contact a qualified installer or service agency for installation and service.

**⚠ WARNING**

**Explosion Hazard**



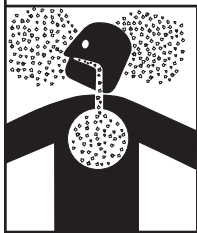
Normal operation of the water heater can cause it to become sufficiently over-heated and/or over-pressurized that it can explode, resulting in property damage, sever injury, or death.

To avoid this hazard, you must install a properly-sized temperature-pressure relief valve in opening provided.

- The temperature-pressure relief valve must comply with ANSI Z21.22-CSA 4.4 and ASME code.
- Do not plug, block, or cap the discharge line.

**⚠ WARNING**

**Breathing Hazard - Carbon Monoxide Gas**

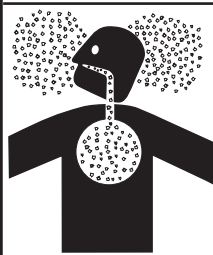


- Install water heater in accordance with the Instruction Manual and NFPA 54 or CAN/CSA-B149.1.
- To avoid injury, combustion and ventilation air must be taken from outdoors.
- Do not place chemical vapor emitting products near water heater.

Breathing carbon monoxide can cause brain damage or death. Always read and understand instruction manual.

**⚠ WARNING**

**Breathing Hazard - Carbon Monoxide Gas**




- Special considerations must be taken with installations above 10,100 (3,078 meters).
- Please contact an A. O. Smith qualified service agent to obtain the proper setup and instructions before lighting.
- Failure to implement the proper setup will result in improper and inefficient operation of the appliance, resulting in production of increased levels of carbon monoxide gas in excess of the safe limits which could result in serious personal injury or death.

Breathing carbon monoxide can cause brain damage or death. Always read and understand instruction manual.

**⚠ WARNING**

**Fire and Explosion Hazard**

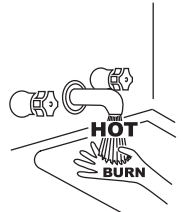


Gas piping can leak gas from fittings and connections if it is not sealed properly. Gas leaks can cause fires and explosions resulting in severe injury or death.

- Use joint compound or thread sealer tape compatible with the type of gas you are using.
- Leak test all gas connections before placing the water heater in operation.
- Disconnect gas piping at main gas shutoff valve before leak testing.
- Install sediment trap in accordance with NFPA 54 or CAN/CSA B149.1.


**⚠ CAUTION**

**Burn Hazard**




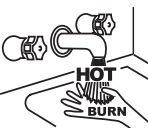
- The combustion chamber and burner sleeve and housing become very hot during operation.
- Do not reach into the burner housing or combustion chamber if the water heater is still hot.
- Allow the water heater to cool and always use gloves when handling the main burner.



<b>⚠ DANGER</b>	
<b>Burn Hazard</b>	
	<p>Water temperature over 52°C (125°F) can cause severe burns instantly resulting in severe injury or death.</p> <p>Children, the elderly and the physically or mentally disabled are at highest risk for scald injury.</p> <p>Feel water before bathing or showering.</p> <p>Temperature limiting devices such as thermostatic point-of-use mixing valves must be installed when required by codes and to ensure safe temperatures at fixtures.</p>

<b>⚠ WARNING</b>	
<b>Safety Hazard</b>	
	<p>Jumping out control circuits or components can result in property damage, personal injury or death.</p> <ul style="list-style-type: none"> <li>• Service should only be performed by a qualified service technician using proper test equipment.</li> <li>• Altering the water heater controls and/or wiring in any way could result in permanent damage to the controls or water heater and is not covered under the limited warranty.</li> <li>• Any bypass or alteration of the water heater controls and/or wiring will result in voiding the appliance warranty.</li> </ul>

<b>⚠ WARNING</b>	
<b>Electrical Shock Hazard</b>	
	<p>Servicing this water heater exposes you to electrified components that can cause severe injury or death if you touch them.</p> <ul style="list-style-type: none"> <li>• Turn off power at the branch circuit breaker serving the water heater before performing any service.</li> <li>• Label all wires prior to disconnecting when performing service. Wiring errors can cause improper and dangerous operation.</li> <li>• Verify proper operation after servicing.</li> </ul>

<b>⚠ DANGER</b>	
<b>Burn Hazard</b>	
	<p>The discharge water from the temperature-pressure relief valve is hot enough to cause burns.</p> <p>Keep clear of the temperature-pressure relief valve discharge outlet.</p>



# INTRODUCTION

**Thank You** for purchasing this water heater. Properly installed and maintained, it should give you years of trouble free service.

## ABBREVIATIONS USED

Abbreviations found in this Instruction Manual include :

- ANSI - American National Standards Institute
- ASME - American Society of Mechanical Engineers
- AHRI - Air Conditioning, Heating and Refrigeration Institute
- NEC - National Electrical Code
- NFPA - National Fire Protection Association
- UL - Underwriters Laboratory
- CSA - Canadian Standards Association

## QUALIFICATIONS

### Qualified Installer or Service Agency

Installation and service of this water heater requires ability equivalent to that of a Qualified Agency (as defined by ANSI below) in the field involved. Installation skills such as plumbing, air supply, venting, gas supply and electrical supply are required in addition to electrical testing skills when performing service.

**ANSI Z223.1:** “Qualified Agency” - “Any individual, firm, corporation or company that either in person or through a representative is engaged in and is responsible for (a) the installation, testing or replacement of gas piping or (b) the connection, installation, testing, repair, or servicing of appliances and equipment; that is experienced in such work; that is familiar with all precautions required; and that has complied with all the requirements of the authority having jurisdiction.”

If you are not qualified (as defined by ANSI above) and licensed or certified as required by the authority having jurisdiction to perform a given task do not attempt to perform any of the procedures described in this manual. If you do not understand the instructions given in this manual do not attempt to perform any procedures outlined in this manual.

## ICOMM AND BMS/EMS COMPATIBILITY

### ICOMM™

This water heater comes equipped with the iCOMM™ remote monitoring system. It allows users to monitor critical operations and diagnose issues remotely using the manufacturer’s water heater app (available for IOS and Android).

The iCOMM™ system can automatically notify selected personnel via email and or cellular phone text messages if operational problems or user defined Alert conditions should occur. The system is expandable to meet the needs of multiple heaters and groups of heaters.

To order or to find out more about ICC devices, Technical Support.

To connect your water heater to iCOMM, download the A. O. Smith app from the Apple App Store or Google Play store and follow the instructions for how to add your water heater.

## BUILDING MANAGEMENT SYSTEM

This water heater is connectible to BACnet or Modbus compliant Supervisory controls via the optional ICC BMS Gateway. This allows connection of the water heater to local Building Management Systems using Serial RS-485 (MS/TP) or IP connections.

## LEAK DETECTION

The water heaters covered in this manual are equipped with a leak detection device that continuously tests for the presence of water in the immediate location of the water heater. If water is detected, it generates an alarm.

## AUTOMATIC WATER SHUT-OFF VALVE

The optional Automatic Water Shut off Valve and Valve Control Board work in conjunction with the TRC to help reduce the risk of further water damage if a leak is detected by the leak detection device.

## PREPARING FOR THE INSTALLATION

1. Read the entire manual before attempting to install or operate the water heater. Pay close attention to the **General Safety Information** (page 3). If you don’t follow the safety rules, the water heater may not operate safely. It could cause property damage, injury and/or death.
  - This manual contains instructions for the installation, operation, and maintenance of the water heater. It also contains warnings throughout the manual that you must read and be aware of. All warnings and all instructions are essential to the proper operation of the water heater and your safety.
  - Detailed installation diagrams are also found in this manual. These diagrams will serve to provide the installer with a reference. It is essential that all venting, water piping, gas piping and wiring be installed as shown.
  - Particular attention should be given to the installation of thermometers at the locations indicated in the piping diagrams as these are necessary for checking the operation of the water heater.
  - The principal components of the water heater are identified in **Features and Components** (page 10) in this manual. Use this reference to locate and identify various components on the water heater.
  - See **Troubleshooting** (page 82). By using this checklist the user may be able to make minor operational adjustments and avoid unnecessary service calls. However, service and diagnostic procedures should be performed only by a Qualified Service Agency.

**Note:** Costs to correct installation errors are not covered under the limited warranty. See the Commercial Water Heater Limited Warranty Insert.
2. Be sure to turn off power when working on or near the electrical system of the water heater. Never touch electrical components with wet hands or when standing in water.



3. The installation must conform to all instructions contained in this manual and the local code authority having jurisdiction. These shall be carefully followed in all cases. Authorities having jurisdiction should be consulted before installation begins if there are any questions regarding compliance with local, state or national codes.
  - In the absence of local codes, the installation must comply with the current editions of the **National Fuel Gas Code, ANSI Z223.1/NFPA 54** and the **National Electrical Code, NFPA 70** or **CAN/CSA-B149.1**, the **Natural Gas and Propane Installation Code** and **CSA C22.1**, the **Canadian Electrical Code**. All documents are available from the Canadian Standards Association, 8501 East Pleasant Valley Road, Cleveland, OH 44131. NFPA documents are also available from the National Fire Protection Association, 1 Batterymarch Park, Quincy, MA 02269.
4. After reading this manual, if you have any questions or do not understand any portion of the instructions, call the toll free number on the back cover of this manual for technical assistance. In order to expedite your request, please have the full Model, Serial and Series numbers of the water heater you are working with available for the technician. This information is located on the water heater's rating label.
5. Carefully plan the placement of the water heater. Examine the location to ensure that it complies with the requirements in **Locating the Water Heater** (page 17) and the **Rough-In Dimensions** (page 15).

# FEATURES AND COMPONENTS

## BASIC OPERATION

The water heaters covered in this manual have a helical coil shaped heat exchanger that is submerged in the storage tank. The water heater's Main Burner is a radial design burner, it is mounted on the top and fires downward through the heat exchanger. This is a forced draft burner; hot burning gases are forced through the heat exchanger under pressure and exit through the exhaust/vent connection located at the bottom of the water heater. See *Figure 1* and *Figure 2*.

## MODULATION

The water heaters covered by this manual are capable of modulating their firing rate. The combustion blower is controlled by the TRC and CSC. The control boards monitor the water temperature in the tank and regulate the firing rate to achieve the target temperature set-point. The firing rate is dictated by the hot water draw, proximity to the tank temperature set-point, and various other temperature limitations.

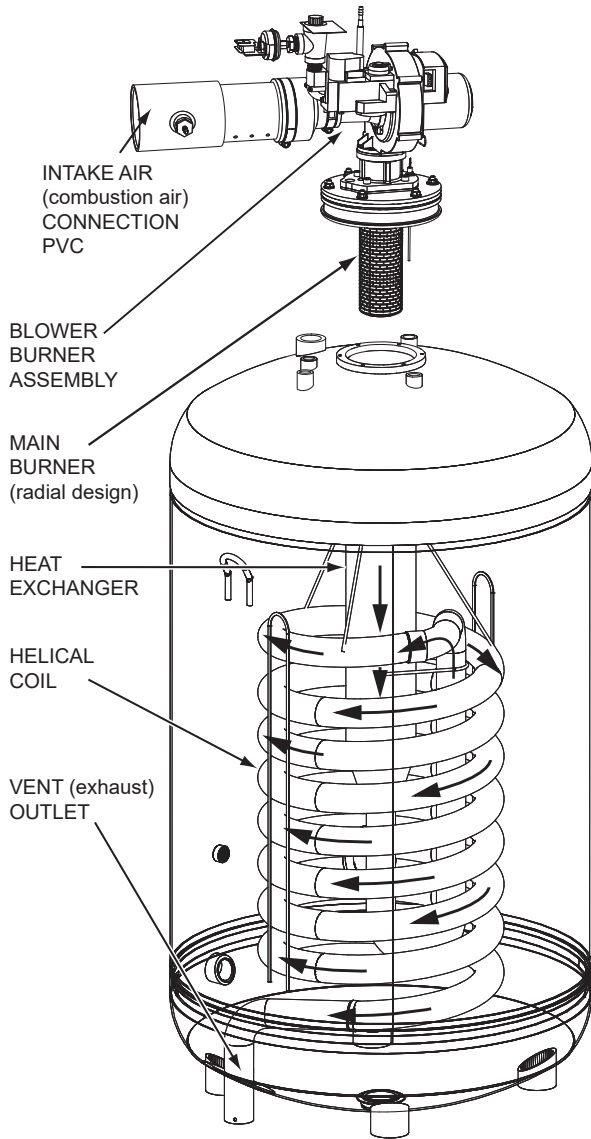
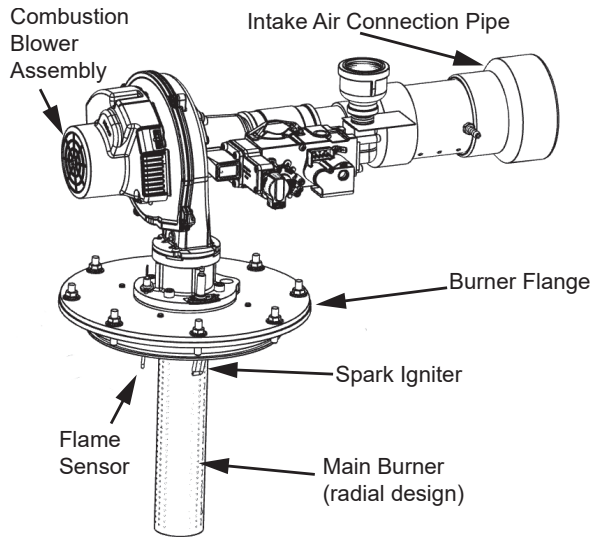


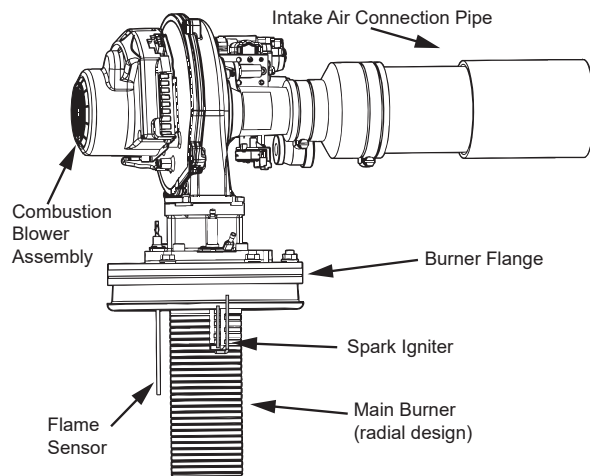
Figure 1. Water Heater Components



**BLOWER/BURNER ASSEMBLY DETAIL**



**220 GALLON**



**250 GALLON**

**Figure 2. Blower/Burner Components**

**Spark Igniter**

The control system energizes the spark ignition transformer with 120 VAC during the ignition cycle. The spark ignition transformer then sends a high-voltage current to the spark igniter which in turn ignites the main burner air/gas mixture.

**Flame Sensor**

The control system also monitors the flame sensor to confirm a flame is present at the main burner. If a flame is not verified during the ignition trial period the control system will immediately deenergize the gas valve. See the *Sequence Of Operation* (page 83).

**Gas Valve**

This heater is equipped with a gas adaptive system and motor driven throttle. It is controlled by the CSC in conjunction with the TRC.



**COMPONENTS- TOP VIEW (ALL MODELS)**

**IMPORTANT.** The Enable/Disable switch listed in this manual is NOT an "on/off" switch and does not disconnect 120 Vac power to the control boards and other heater components.

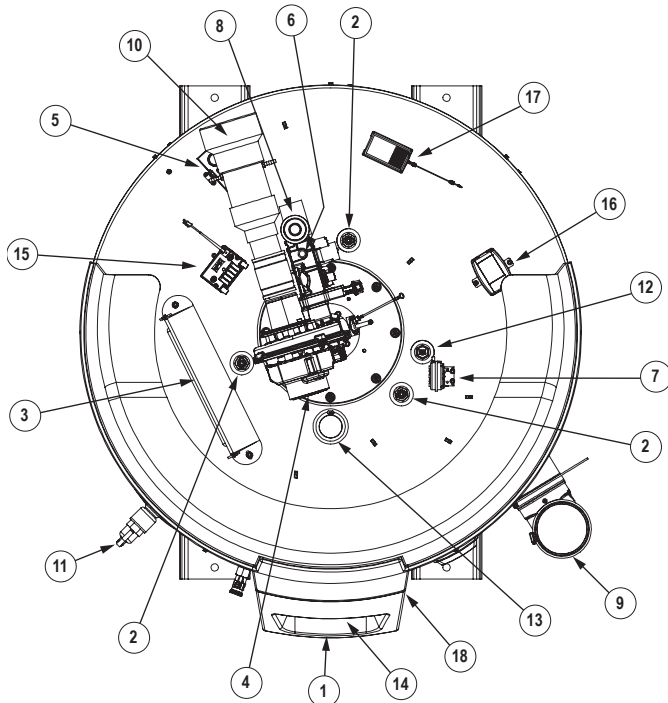


Figure 3. Top View - 220 Gallon

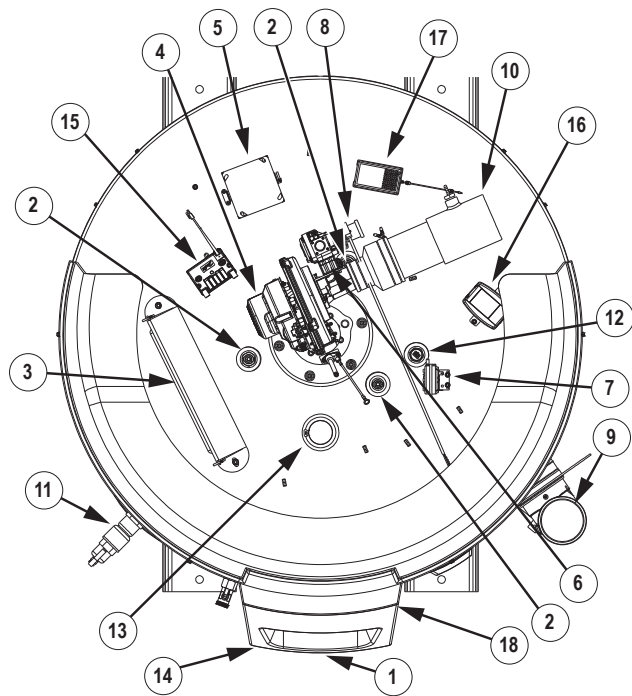


Figure 4. Top View - 250 Gallon

1. Water Heater's Enable/Disable Switch. When in the "Disabled" position the switch removes electrical power from the gas valve so that water heating is disabled. The display, control boards, and other electrical components will still be energized and the display will read "Water Heating Disabled".
2. Powered anode rods. The water heaters covered in this manual are equipped with powered (non sacrificial) anode rods. Protective current is fed by the control system to the titanium electrodes at the end of each anode rod. This current flows through the water to the conductive surfaces inside the storage tank which diminishes the corrosive effect of water when it comes in contact with steel.
3. Control Board Enclosure. This enclosure houses the control system's Temperature Regulation Control (TRC 1000), Combustion and Safety Control (CSC), and power supply. The TRC 1000 and CSC regulate water temperature and controls all water heater functions. See **Control System Operation** (page 63).
4. Combustion Blower Assembly includes, Gas Valve and Venturi gas feed system.
5. 120-VAC junction box. Incoming power supply, ground connections, and other field installed electrical connections are made here. See **Power Supply** (page 20) and **Power Supply Connections** (page 52).
6. Water heater's gas valve.
7. Blocked Intake Air switch. Normally closed contacts that open on fall in pressure. This switch is used to ensure intake (combustion) air to the water heater is not restricted. The control system monitors this switch and will disable heating operation if its contacts are open during a heating cycle.
8. Supply gas line connection. See the requirements for gas supply systems in **Gas Supply Systems** (page 20).
9. Vent connection (exhaust / condensate elbow) - aluminum.
10. Intake air connection - PVC.
11. Temperature-Pressure Relief Valve. See **Temperature-Pressure Relief Valve** (page 22).
12. Main Temperature Probe, 1 of 2 temperature probes (not shown). The water heater's control system monitors this probe to detect water temperature in the upper portion of the storage tank. The Upper Temperature Probe also houses the Energy Cut-Out (ECO). This is a non adjustable high temperature limit thermistor. See **High Temperature Limit Control** (page 61).
13. Water outlet connection 1 1/2" NPT.
14. UIM (user interface module). The UIM includes the display circuit board and the control system's LCD Touch Display. Used to adjust various user settings and view operational information. See **Control System Operation** (page 63).
15. Spark Ignition Transformer. When energized, sends the electrical current to the spark igniter.
16. CPAM (Powered Anode Module): Auxiliary control for the operation of powered anodes.
17. CPAM Power Supply: Provides 120 Vac power to the CPAM.
18. Flex Memory Module (FMM) under cover: The FMM board is located inside the plastic display enclosure. The FMM board enables an FMM device to communicate information with the heater. **DO NOT REMOVE OR DAMAGE THE FMM BOARD.**



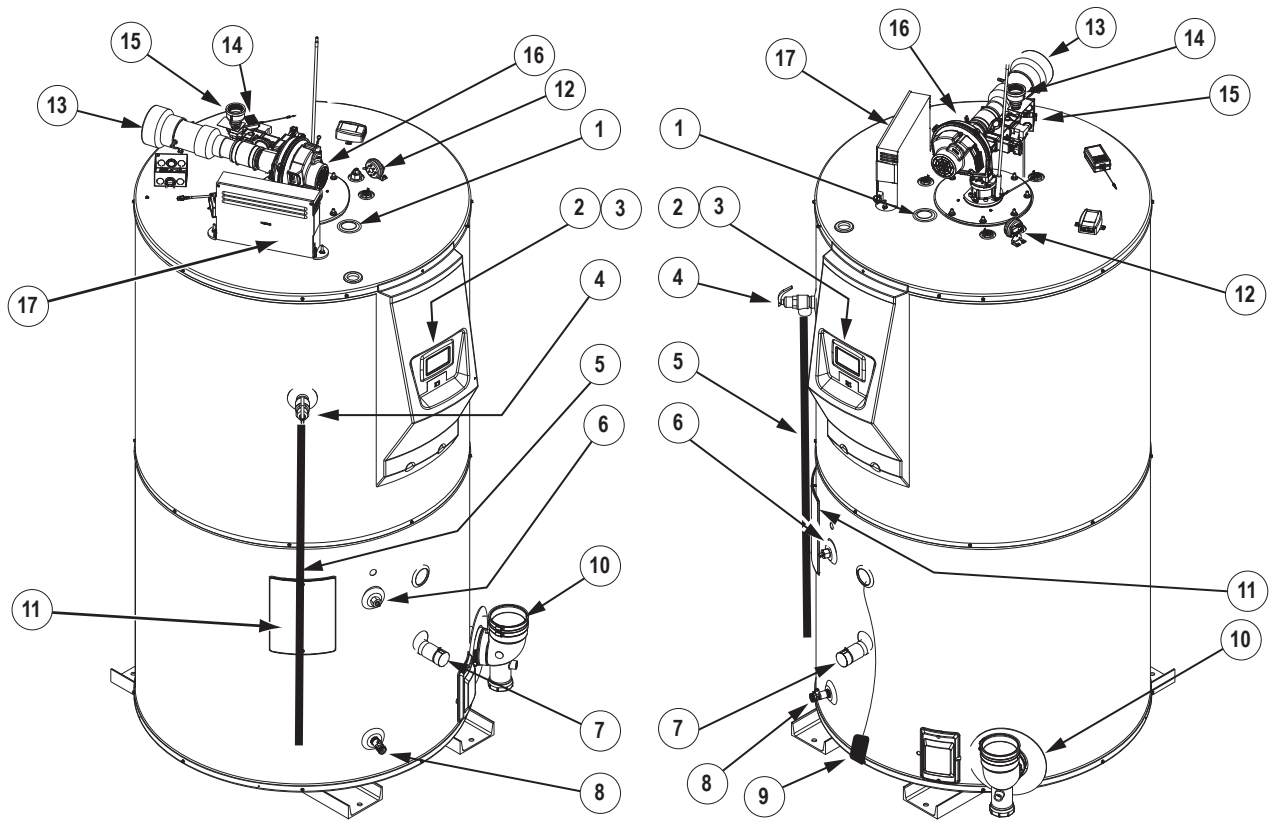


Figure 5. 220-Gallon Models — Left-Side and Right-Side Components

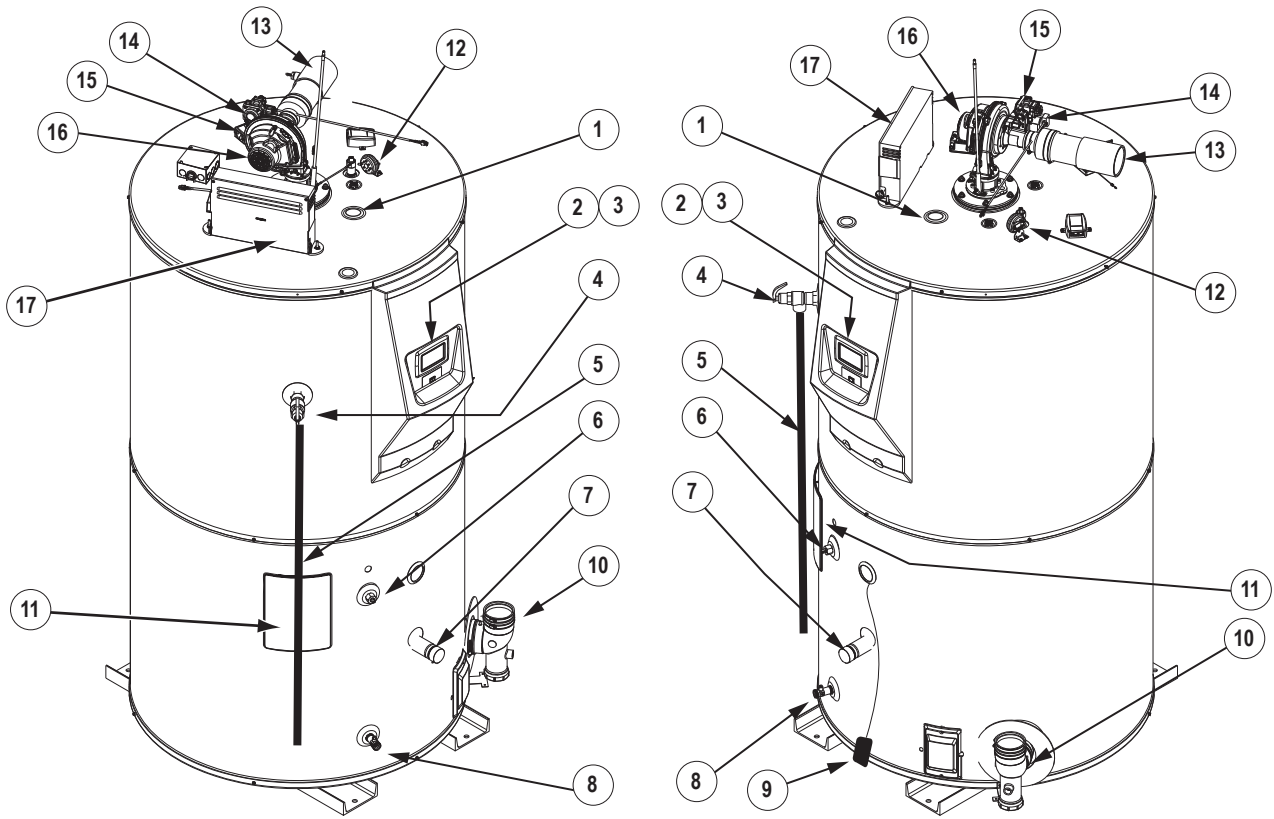


Figure 6. 250-Gallon Models — Left-Side and Right-Side Components



**Side View Components**

1. Water outlet - 1 1/2" NPT connection.
2. UIM (user interface module). The UIM includes the display circuit board and the control system's LCD Touch Display. Used to adjust various user settings and view operational information. See **Control System Operation** (page 63).
3. Flex Memory Module (FMM) under cover: The FMM board is located inside the plastic display enclosure. The FMM board enables an FMM device to communicate information with the heater. **DO NOT REMOVE OR DAMAGE THE FMM BOARD.**
4. Temperature-Pressure Relief Valve. See **Temperature-Pressure Relief Valve** (page 22).
5. Temperature-Pressure Relief Valve discharge pipe - see **T&P Valve Discharge Pipe Requirements** (page 22)
6. Lower Temperature Probe, 1 of 2 temperature probes. The water heater's control system monitors this probe to detect water temperature in the lower portion of the storage tank.
7. Water inlet - 1 1/2" NPT connection.
8. Water heater drain valve.
9. Leak Detection Module. This feature senses the buildup of water in the vicinity of the appliance.
10. Vent Connection (Exhaust/Condensate Elbow) - aluminum.
11. Clean-out access panel, covers water heater clean-out opening and ASME plate where applicable.
12. Blocked Exhaust (vent) switch. Normally closed contacts that open on a rise in pressure. This switch is used to ensure the Exhaust (vent) piping connected to the water heater is not restricted. The control system monitors this switch and will disable heating operation if its contacts are open during a heating cycle.
13. Intake air connection - PVC.
14. Water heater gas valve.
15. Supply gas line connection. See **Gas Supply Systems** (page 20).
16. Combustion Blower Assembly includes, Gas Valve and Venturi gas feed system.
17. Control boards enclosure - see item 3 in **Components- Top View (All Models)** (page 12) for description.

**CAPACITIES AND PERFORMANCE**

Table 1. Storage Capacities		
Model	U. S. Gallons	Liters
220G	220	833
250G	250	946

Table 2. Recovery Capacities															
Model (kbtu/h)	Input		°F	U. S. Gallons/hr & liters/hr at temperature rise indicated											
				30°F	40°F	50°F	60°F	70°F	80°F	90°F	100°F	110°F	120°F	130°F	140°F
	Btu/hr	kWh	°C	17°C	22°C	28°C	33°C	39°C	44°C	50°C	56°C	61°C	67°C	72°C	78°C
150	150,000	44	GPH	582	436	349	291	249	218	194	175	159	145	134	125
			LPH	2202	1652	1321	1102	944	826	734	661	601	551	508	472
199.9	199,900	58	GPH	767	575	460	384	329	288	256	230	209	192	177	164
			LPH	2904	2178	1743	1452	1245	1089	968	871	792	726	670	622
250	250,000	73	GPH	949	712	570	475	407	356	316	285	259	237	219	203
			LPH	3594	2695	2156	1797	1540	1348	1198	1078	980	898	829	770
300	300,000	88	GPH	1139	855	684	570	488	427	380	342	311	285	263	244
			LPH	4313	3234	2588	2156	1848	1617	1438	1294	1176	1078	995	924
399.9	399,900	117	GPH	1503	1127	902	751	644	563	501	451	410	376	347	322
			LPH	5688	4266	3413	2844	2438	2133	1896	1706	1551	1422	1313	1219
499.9	499,900	146	GPH	1858	1394	1115	929	796	697	619	557	507	465	429	398
			LPH	7033	5275	4220	3517	3014	2638	2344	2110	1918	1758	1623	1507

Recovery capacities are based on 95% thermal efficiency.



# INSTALLATION CONSIDERATIONS

## ROUGH-IN DIMENSIONS

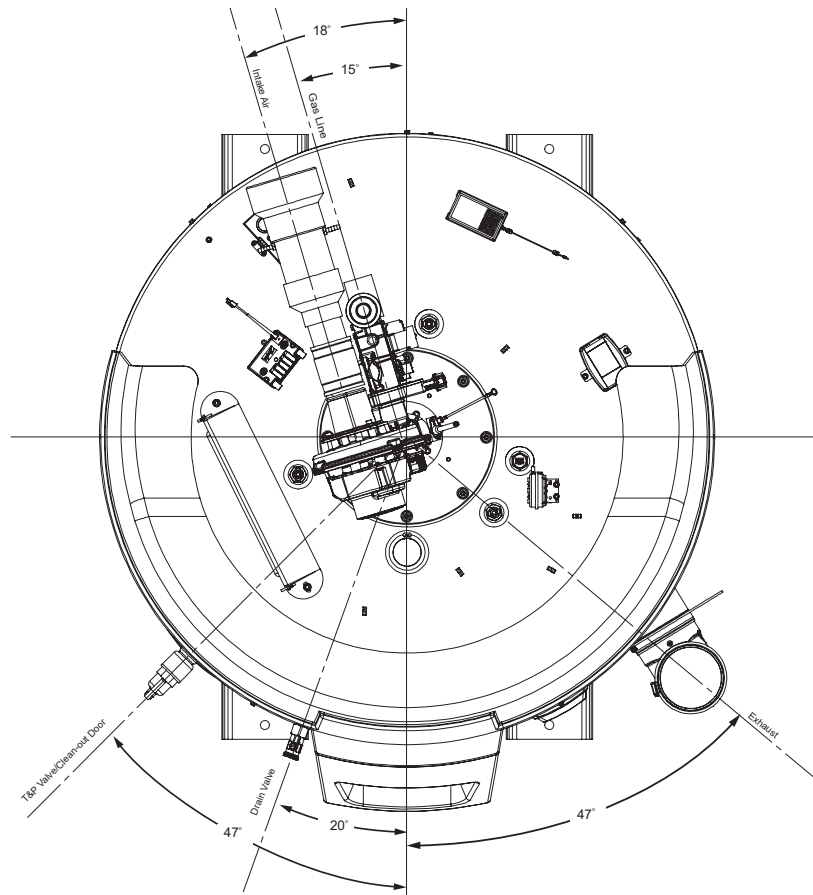
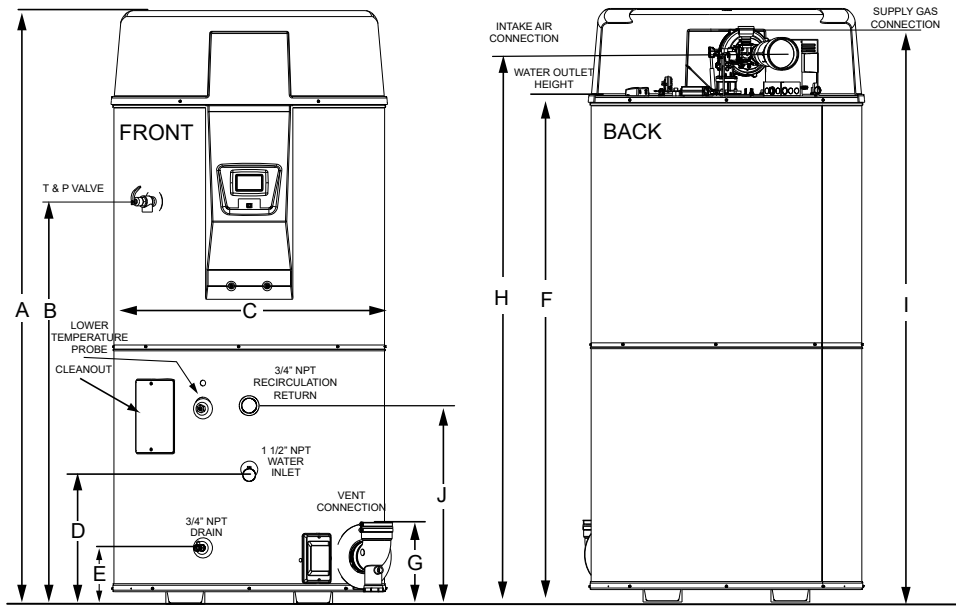


Figure 7. Rough-In Dimensions (220 Gallon Models)



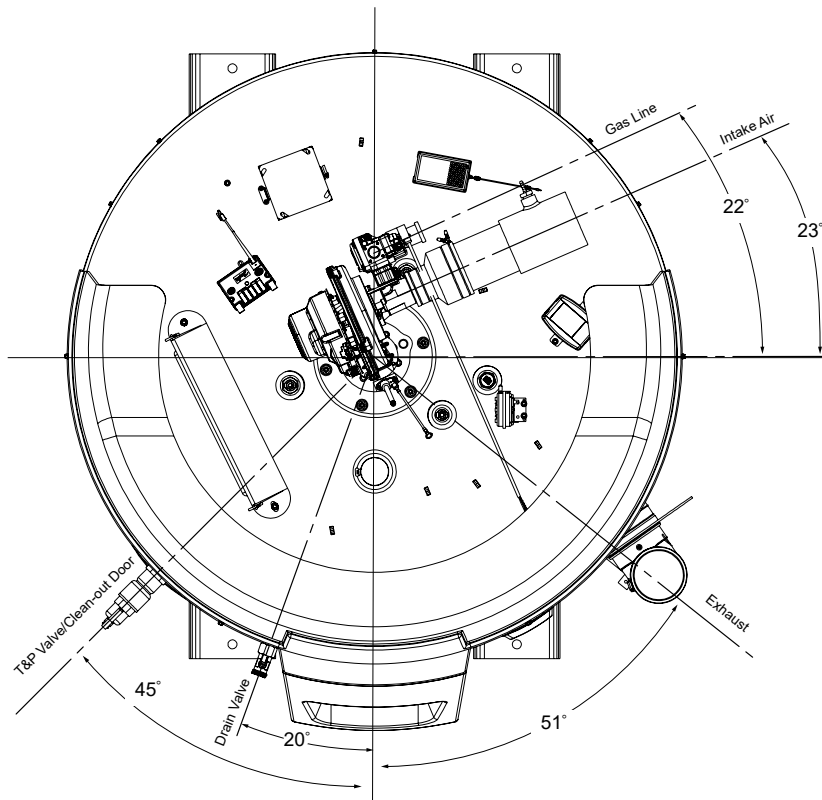
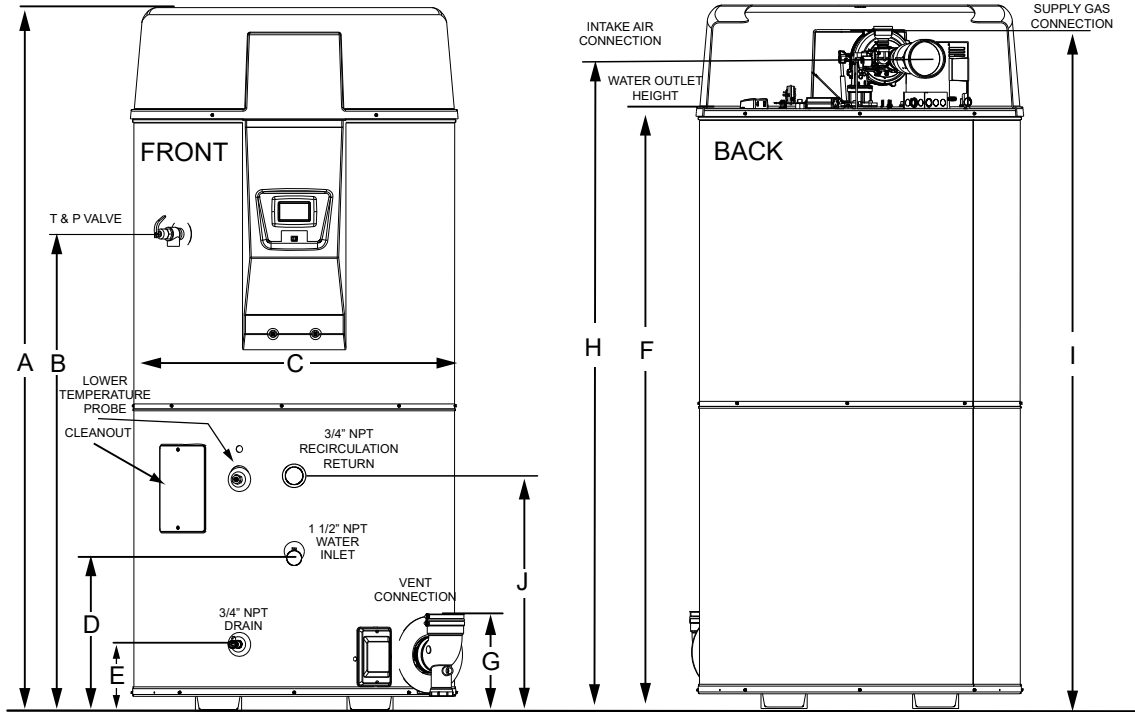


Figure 8. Rough-In (250 Gallon Models)



Model	A	B	C	D	E	F	G	H	I	J	APPROX. HEATER WEIGHT	APPROX. SHIP WEIGHT
	Inches (cm)	Inches (cm)	Inches (cm)	Inches (cm)	Inches (cm)	Inches (cm)	Inches (cm)	Inches (cm)	Inches (cm)	Inches (cm)	LBS (KG)	LBS (KG)
220G	91-1/2 (232.4)	62-5/8 (159)	41-13/16 (107)	20-3/4 (52.71)	8-1/2 (21.59)	78-1/8 (198.45)	12 (30.48)	84 (213.4)	89-3/4 (227.97)	30-1/2 (77.47)	925 (419.5)	1125 (508)
250G	91-1/2 (232.4)	62-5/8 (159)	41-13/16 (107)	20-1/2 (52)	8-1/2 (21.59)	78-1/8 (198.45)	12 (30.48)	85 (215.9)	90-1/8 (228.93)	30-1/2 (77.47)	925 (419.5)	1125 (508)

Model	† Input Rate kbtu/h	Series	Natural Gas	Propane Gas
220G	300-499	400-401 to 400-401-450-45	1 1/2" NPT	1 1/2" NPT
250G	150-250	400-401 to 400-401-450-45	3/4" NPT	3/4" NPT

† Depending on the installed equivalent length, and/or the number of appliances connected, the supply gas line size may have to be increased beyond the minimum required sizes. See **Gas Line Sizing** (page 51).

Model	*Manifold Pressure		Minimum Supply Pressure		Maximum Supply Pressure	
	Natural Gas	Propane Gas	Natural Gas	Propane Gas	Natural Gas	Propane Gas
220G	0" W.C. (0 kPa)	0" W.C. (0 kPa)	3.5" W. C. (1.10 kPa)	8.0" W. C. (2.12 kPa)	14" W. C. (3.49 kPa)	14" W. C. (3.49 kPa)
250G	0" W. C. (0 kPa)	0" W. C. (0 kPa)	3.5" W. C. (1.10 kPa)	8.0" W. C. (2.12 kPa)	14" W. C. (3.49 kPa)	14" W. C. (3.49 kPa)


\* The manifold pressure is the factory setting and is not adjustable. A negative pressure will be seen with just the blower running without the Gas Control Valve open.

### LOCATING THE WATER HEATER

Carefully choose a location for the new water heater. The placement is a very important consideration for the safety of the occupants in the building and for the most economical use of the water heater.

CAUTION

Property Damage Hazard



**Over time, the tank and fittings of the water heater can begin to leak and cause water damage.**

- Locate the water heater near an adequate drain and in an area where water leakage from the heater or connections will not result in damage to the area or the lower floors of the structure.
- Install the water heater in a drain pan.

Whether replacing an existing water heater or installing the water heater in a new location observe the following critical points:

1. The water heater must be located indoors.
2. The water heater must not be located in an area where it will be subject to freezing temperatures.
3. Locate the water heater so it is protected and not subject to physical damage by a moving vehicle.
4. Locate the water heater on a level surface.
5. Locate the water heater near a floor drain. The water heater should be located in an area where leakage of the tank or connections will not result in damage to the area adjacent to the water heater or to lower floors of the structure. When such locations cannot be avoided, it is recommended that a metal drain pan, adequately drained, be installed under the water heater.
6. Locate the water heater close to the point of major hot water usage.
7. Locate the water heater close to a 120 VAC power supply. See **Power Supply** (page 20) for requirements.


8. Locate the water heater where an adequate supply of fresh air for combustion and ventilation can be obtained. See **Air Requirements** (page 24).
9. Locate the water heater where the vent and intake air piping, when installed, will remain within the maximum equivalent lengths allowed. See **Venting Requirements** (page 32).
10. Do not locate the water heater where noise (such as the Combustion Blower) during normal operation will be objectionable in adjacent areas.
11. Do not locate the water heater where the subsequent installation of the vent (exhaust) or intake air terminations would be objectionable due to noise at the termination(s). This includes locations close to or across from windows and doors. See **Venting Installation** (page 29).

There is a risk in using fuel burning appliances such as gas water heaters in rooms, garages or other areas where gasoline, other flammable liquids or engine driven equipment or vehicles are stored, operated or repaired. Flammable vapors are heavy and travel along the floor and may be ignited by the water heater's igniter or Main Burner flames causing fire or explosion.

Flammable items, pressurized containers or any other potential fire hazardous articles must never be placed on or adjacent to the water heater.

WARNING

Fire or Explosion Hazard



- Do not store or use gasoline or other flammable vapors and liquids in the vicinity of this or any other appliance.
- Avoid all ignition sources if you smell gas.
- Do not expose water heater controls to excessive gas pressure.
- Use only the gas shown on the water heater rating label.
- Maintain required clearances to combustibles.
- Keep ignition sources away from faucets after extended periods of non-use.

**Read instruction manual before installing, using or servicing water heater.**





**Clearance To Combustible Materials**

The water heaters covered in this manual are approved for installation on combustible flooring. The clearance to combustible and non combustible construction materials is zero inches on the back and sides of the water heater. These water heaters are also approved for installation in an alcove.

**⚠ DANGER**

**Fire or Explosion Hazard**

**⚠ Vapors from flammable liquids may explode and catch fire causing death or severe burns.**

**Do not use or store flammable products, such as gasoline, solvents, or adhesives in the same room or area near the water heater.**

**Keep flammable products:**

1. Far away from heater.
2. In approved containers.
3. Tightly closed and
4. Out of children's reach

**Water heater has a main burner and ignition device.**

**The ignition device:**

1. Can come on at any time.
2. Will ignite flammable vapors.

**Vapors:**

1. Cannot be seen.
2. Are Heavier than air.
3. Go a long way on the floor.
4. Can be carried from other rooms to the ignition device by air currents.


**Installation:**

Do not install the water heater where flammable products will be stored or used unless the main burner and igniter are at least 18" (457 cm) above the floor. This will reduce, but not eliminate the risk of vapors being ignited by the main burner or hot surface igniter.

When the water heater is installed directly on carpeting, the water heater shall be installed on a metal or wood panel extending beyond the full width and depth of the water heater by at least three inches (76.2 mm) in any direction or, if the water heater is installed in an alcove or closet, the entire floor shall be covered by the panel. The panel must be strong enough to carry the weight of the heater when full of water.

**⚠ WARNING**

**Fire and Explosion Hazard**



**Read the instruction manual before installing, using, or servicing the water heater.**

- Improper use can result in fire or explosion.
- Maintain required clearances to combustibles.

**Note:** Adequate clearance for servicing should be maintained on all installations. See *Service Clearance* (page 18).

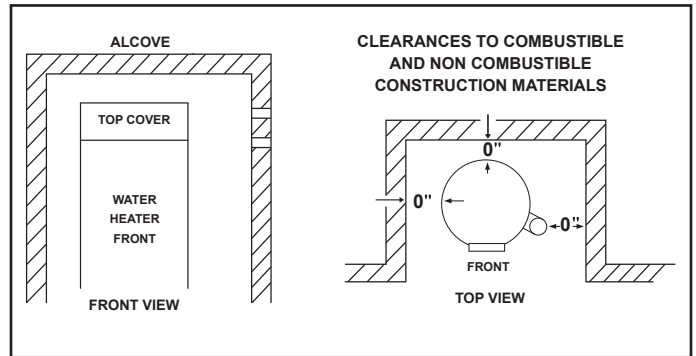


Figure 9. Clearances

**Service Clearance**

A service clearance of 24 inches (61 cm) should be maintained from serviceable parts such as the T&P valve, control system components, gas valve, clean out opening, drain valve, the vent connection (exhaust/condensate elbow). Leave as much room as possible above the water heater and near the exhaust elbow for this reason. See *Figure 11* (page 23).

**Intake Air and Vent Pipe Clearances**

The minimum clearance from combustible materials for the vent (exhaust) and intake air piping shall be 0 inches. Vent or intake air piping passing through a combustible wall or ceiling must be a continuous run (no joints).

**OPTIONAL TERMINATIONS**

The water heaters covered in this manual can be installed in a *direct vent* configuration using optional concentric or low-profile terminations. See *Concentric Termination Installation* (page 41) and *Low-Profile Vent Termination installation* (page 44).

Concentric and low profile terminations must be ordered separately. Contact your local distributor or Technical Support for assistance in ordering the concentric termination or low-profile vent termination. See the contact information label on the water heater.

**HARD WATER**

Where hard water conditions exist, water softening or the threshold type of water treatment is recommended. This will protect the dishwashers, coffee urns, water heaters, water piping and other equipment. See *Maintenance* (page 77) for sediment and lime scale removal procedures.

**CIRCULATION PUMPS**

A circulating pump is used when a system requires a circulating loop or there is a storage tank used in conjunction with the water heater. The tank is provided with a 3/4" NPT recirculation loop return connection. See *Piping Diagrams* (page 102) for installation location of circulating pumps.



See *Circulation Pump Wiring Diagrams* (page 100) for electrical hookup information. Install in accordance with the current edition of the *National Electrical Code, NFPA 70* or the *Canadian Electrical Code, CSA C22.1*.

Stainless steel circulating pumps are recommended for use with commercial water heaters.



Refer to the circulating pump manufacturer's instructions for its operation, lubrication, and maintenance instructions.

## INSULATION BLANKETS

 <b>WARNING</b>	
<b>Breathing Hazard - Carbon Monoxide Gas</b>	
	<ul style="list-style-type: none"> <li>• Do not obstruct water heater air intake with insulating blanket.</li> <li>• Gas and carbon monoxide detectors are available.</li> <li>• Install water heater in accordance with the instruction manual.</li> </ul>
Breathing carbon monoxide can cause brain damage or death. Always read and understand instruction manual.	

Insulation blankets are available to the general public for external use on gas water heaters but are not necessary with these products. The purpose of an insulation blanket is to reduce the standby heat loss encountered with storage tank heaters. The water heaters covered by this manual meet or exceed the *Energy Policy Act* standards with respect to insulation and standby heat loss requirements, making an insulation blanket unnecessary.

If you choose to apply an insulation blanket to this heater, you should follow these instructions. See *Features and Components* (page 10) section of this manual for identification of components mentioned below. Failure to follow these instructions can restrict the air flow required for proper combustion, potentially resulting in fire, asphyxiation, serious personal injury or death.

- **Do not** apply insulation to the top of the water heater, as this will interfere with safe operation of the blower assembly.
- **Do not** cover the control system LCD on top of the water heater.
- **Do not** cover the Temperature-Pressure Relief Valve.
- **Do not** cover the instruction manual. Keep it on the side of the water heater or nearby for future reference.
- **Do** obtain new warning and instruction labels from the manufacturer for placement on the blanket directly over the existing labels.
- **Do** inspect the insulation blanket frequently to make certain it does not sag, thereby obstructing combustion air flow.

# INSTALLATION REQUIREMENTS

## GAS SUPPLY SYSTEMS

Low pressure building gas supply systems are defined as those systems that cannot under any circumstances exceed 14" W.C. (1/2 PSI Gauge). These systems do not require pressure regulation. Measurements should be taken to insure that gas pressures are stable and fall within the requirements stated on the water heater rating plate. Readings should be taken with all gas burning equipment off (static pressure) and with all gas burning equipment running at maximum rate (dynamic pressure). The gas supply pressure must be stable within 1.5" W.C. from static to dynamic pressure to provide good performance. Pressure drops that exceed 1.5" W.C. may cause rough starting, noisy combustion or nuisance outages. Increases or spikes in static pressure during off cycles may cause failure to ignite or in severe cases damage to appliance gas valves. If your low pressure system does **NOT** meet these requirements, the installer is responsible for the corrections.

High Pressure building supply systems use pressures that exceed 14" W.C. (1/2 PSI Gauge). These systems must use field-supplied regulators to lower the gas pressure to less than 14" W.C. (1/2 PSI Gauge). Water heaters require gas regulators that are properly sized for the water heater input and deliver the rating plate specified pressures. Gas supply systems where pressure exceeds 5 PSI often require multiple regulators to achieve desired pressures. Systems in excess of 5 PSI building pressure should be designed by gas delivery professionals for best performance. Water heaters connected to gas supply systems that exceed 14" W.C. (1/2 PSI Gauge) at any time must be equipped with a gas supply regulator.

The water heaters covered in this manual require a minimum gas supply pressure of 3.5" W.C. for natural gas and 8.0" W.C. for propane gas. The minimum supply pressure is measured while gas is flowing (dynamic pressure). The supply pressure should never fall below 3.5" W.C. for natural gas and 8.0" W.C. for propane gas. The supply pressure should be measured with all gas fired appliances connected to the common main firing at full capacity. If the supply pressure drops more than 1.5" W.C. as gas begins to flow to the water heater then the supply gas system including the gas line and/or the gas regulator may be restricted or undersized. See **Supply Gas Regulator** section of this manual. The gas valve on all models has a maximum gas supply pressure limit of 14" W.C. The maximum supply pressure is measured while gas is not flowing (static pressure).

## SUPPLY GAS REGULATOR

The maximum allowable gas supply pressure for this water heater is 14.0 inches W.C. (3.49 kPa) for natural and propane gas. Install a positive lock-up gas pressure regulator in the gas supply line if inlet gas pressure can exceed these pressures at any time.

If a positive lock-up regulator is required follow these instructions:

1. Positive lock-up gas pressure regulators must be rated at or above the input Btu/hr rating of the water heater they supply.
2. Supply gas regulators shall have inlet and outlet connections not less than the minimum supply gas line size for the water heater they supply. See **Table 16** (page 51).
3. Positive lock-up gas pressure regulator(s) should be installed no closer than 3 feet (1 meter) and no farther than 8 feet (2.4 meters) from the water heater's inlet gas connection.
4. After installing the positive lock-up gas pressure regulator(s) an initial nominal supply pressure setting of 7.0" W.C. while the water heater is operating is recommended and will generally provide good water heater operation. Some additional adjustments may be required later to maintain a steady gas supply pressure.
5. When installing multiple water heaters in the same gas supply system it is recommended that individual positive lock-up gas pressure regulators be installed at each unit from the supply gas connection on the water heater.

Ensure that the gas line is properly supported to prevent damage to the gas train.

## POWER SUPPLY

The water heaters covered in this manual require a 120 VAC, 1 $\emptyset$  (single phase), 60 Hz, 15 amp power supply and must also be electrically grounded in accordance with local codes or, in the absence of local codes, with the **National Electrical Code, ANSI/NFPA 70** or the **Canadian Electrical Code, CSA C22.1**.

### Dedicated Power Wiring and Breakers

Dedicated power supply wires, neutral wires, ground wiring, and dedicated circuit breakers, often prevent electrical line noise and are required when installing the water heater.

**Note:** This water heater should not be connected to an electrical supply with a Ground Fault Circuit Interrupter (GFCI) or Arc Fault Circuit Interrupter (AFCI) with Integral GFCI protection as defined in **NFPA 70, CSA C22.1** and **UL 943**.

### Power Fluctuations and Electrical Noise

The water heater's control system requires a source of stable clean electricity for proper operation. Connecting the water heater to a branch circuit that is subject to fluctuations in voltage level or electrical line noise such as EMI (electromagnetic interference) or RFI (radio frequency interference) may cause erratic control system operation and malfunction.

A high quality power supply filter/suppressor must be installed if the above conditions exist. Contact a local power filter/suppressor supplier for more information.


**Note:** Malfunctions caused by the power supply and costs to install power supply filters are not covered under the limited warranty. See Commercial Water Heater Limited Warranty.

## MIXING VALVES

Water heated to a temperature which will satisfy clothes washing, dish washing, and other sanitizing needs can scald and cause permanent injury upon contact. Short repeated heating cycles caused by small hot water uses can cause temperatures at the point of use to exceed the water heater's temperature setting by up to 20°F (11°C).

**⚠ DANGER**

**Burn Hazard**



**Water temperature over 52°C (125°F) can cause severe burns instantly resulting in severe injury or death.**

**Children, the elderly and the physically or mentally disabled are at highest risk for scald injury.**

**Feel water before bathing or showering.**

**Temperature limiting devices such as thermostatic point-of-use mixing valves must be installed when required by codes and to ensure safe temperatures at fixtures.**

Some people are more likely to be permanently injured by hot water than others. These include the elderly, children, the infirm and the physically/mentally disabled. **Table 6** shows the approximate time-to-burn relationship for normal adult skin. If anyone using hot water provided by the water heater being installed fits into one of these groups or if there is a local code or state law requiring a certain water temperature at the point of use, then special precautions must be taken.

*In addition to using the lowest possible temperature setting that satisfies your hot water needs, a means such as a mixing valve, for example, can be used at the water heater or at the hot water taps used by these people to reduce the water temperature. See Figure 10.*

Check State and/or local codes for mixing valve requirements and installation practices.

Mixing valves are available at plumbing supply stores. Consult a Qualified Installer or Service Agency. Follow mixing valve manufacturer's instructions for installation of the valves.

Water Temperature °F (°C)	Time for 1st Degree Burn (Less Severe Burns)	Time for Permanent Burns 2nd & 3rd Degree (Most Severe Burns)
110 (43)	(normal shower temp.)	
116 (47)	(pain threshold)	
116 (47)	35 minutes	45 minutes
122 (50)	1 minute	5 minutes
131 (55)	5 seconds	25 seconds
140 (60)	2 seconds	5 seconds
149 (65)	1 second	2 seconds
154 (68)	instantaneous	1 second

(U.S. Government Memorandum, C.P.S.C., Peter L. Armstrong, Sept. 15, 1978)

## DISH-WASHING MACHINES

All dish-washing machines meeting the National Sanitation Foundation requirements are designed to operate with water flow pressures between 15 and 25 pounds per square inch (103 kPa and 173 kPa). Flow pressures above 25 pounds per square inch (173 kPa), or below 15 pounds per square inch (103 kPa), will result in improperly sanitized dishes. Where pressures are high, a water pressure reducing or flow regulating control valve should be used in the 180°F (82°C) line to the dish-washing machine and should be adjusted to deliver water pressure between these limits.

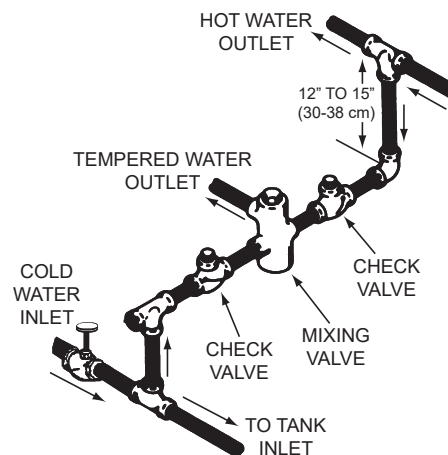


Figure 10. Mixing Valve

The **National Sanitation Foundation** also recommends circulation of 180°F (82°C) water. The circulation should be just enough to provide 180°F (82°C) water at the point of take-off to the dish-washing machine.

Adjust flow by throttling a full port ball valve installed in the circulating line on the outlet side of the pump. Never throttle flow on the suction side of a pump. See **Piping Diagrams** (page 102).

**Note:** To comply with **NSF Standard 5** installation requirements, the bottom of the water heater must be sealed to the floor with a silicone based sealant or elevated 6 inches above the floor.

## CLOSED WATER SYSTEMS

Water supply systems may, because of code requirements or such conditions as high line pressure, among others, have installed devices such as pressure reducing valves, check valves, and back flow preventers. Devices such as these cause the water system to be a closed system.



**THERMAL EXPANSION**

As water is heated, it expands (thermal expansion). In a closed system the volume of water will grow when it is heated. As the volume of water grows there will be a corresponding increase in water pressure due to thermal expansion. Thermal expansion can cause premature tank failure (leakage). This type of failure is not covered under the limited warranty. Thermal expansion can also cause intermittent Temperature-Pressure Relief Valve operation: water discharged from the valve due to excessive pressure build up. This condition is not covered under the limited warranty. See Commercial Water Heater Limited Warranty Insert.

The Temperature-Pressure Relief Valve is not intended for the constant relief of thermal expansion.

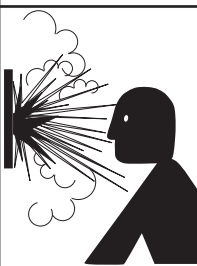
A properly sized and pressurized thermal expansion tank must be installed on all closed systems to control the harmful effects of thermal expansion. Contact a local plumbing service agency to have a thermal expansion tank installed.

See *Water Line Connections* (page 53) and the *Piping Diagrams* (page 102).

**TEMPERATURE-PRESSURE RELIEF VALVE**

This water heater is provided with a properly rated/sized and certified combination Temperature-Pressure Relief Valve (T&P valve) by the manufacturer. The valve is certified by a nationally recognized testing laboratory that maintains periodic inspection of production of listed equipment of materials as meeting the requirements for Relief Valves for Hot Water Supply Systems, *ANSI Z21.22 • CSA 4.4*, and the code requirements of *ASME*.

If replaced, the new T&P valve must meet the requirements of local codes, but not less than a combination Temperature-Pressure Relief Valve rated/sized and certified as indicated in the above paragraph. The new valve must be marked with a maximum set pressure not to exceed the marked hydrostatic working pressure of the water heater (150 psi = 1,035 kPa) and a discharge capacity not less than the water heater Btu/hr or kW input rate as shown on the water heater’s model rating label.


<b>⚠ WARNING</b>	
<b>Explosion Hazard</b>	
	<p><b>Normal operation of the water heater can cause it to become sufficiently over-heated and/or over-pressurized that it can explode, resulting in property damage, sever injury, or death.</b></p> <p>To avoid this hazard, you must install a properly-sized temperature-pressure relief valve in opening provided.</p> <ul style="list-style-type: none"> <li>• The temperature-pressure relief valve must comply with <i>ANSI Z21.22-CSA 4.4</i> and <i>ASME</i> code.</li> <li>• Do not plug, block, or cap the discharge line.</li> </ul>

**Note:** In addition to the factory-installed Temperature-Pressure Relief Valve on the water heater, each remote storage tank that may be installed and piped to a water heating appliance must also have

its own properly sized, rated and approved Temperature-Pressure Relief Valve installed. Contact your local distributor or contact Technical Support for assistance in sizing a Temperature-Pressure Relief Valve for remote storage tanks. See the contact information label on the water heater.

For safe operation of the water heater, the Temperature-Pressure Relief Valve must not be removed from its designated opening nor plugged. The Temperature-Pressure Relief Valve must be installed directly into the fitting of the water heater designed for the relief valve. Install discharge piping so that any discharge will exit the pipe six inches (15.2 cm) above an adequate floor drain, or external to the building. In cold climates it is recommended that it be terminated at an adequate drain inside the building. Be certain that no contact is made with any live electrical part. The discharge opening must not be blocked or reduced in size under any circumstances. Excessive length, over 30 feet (9.14 m), or use of more than four elbows can cause restriction and reduce the discharge capacity of the valve.


No valve or other obstruction is to be placed between the Temperature-Pressure Relief Valve and the tank. Do not connect discharge piping directly to the drain. A six inch (15.2 cm) air gap must be provided. To prevent bodily injury, hazard to life, or property damage, the relief valve must be allowed to discharge water in adequate quantities if circumstances demand. If the discharge pipe is not connected to a drain or other suitable means, the water flow may cause property damage.

<b>⚠ CAUTION</b>	
<b>Property Damage Hazard</b>	
	<p><b>While the water heater is in routine operation, it can release hot water from the temperature-pressure relief valve discharge pipe in quantities that could cause damage to the surroundings.</b></p> <p>Locate the water heater near an adequate drain and in an area where water from the temperature-pressure relief valve discharge pipe will not result in damage to the area or the lower floors of the structure.</p>

**T&P Valve Discharge Pipe Requirements**

- Shall not be smaller in size than the outlet pipe size of the valve, or have any reducing couplings or other restrictions.
- Shall not be plugged or blocked.
- Shall not be exposed to freezing temperatures.
- Shall be of material listed for hot water distribution.
- Shall be installed so as to allow complete drainage of both the Temperature-Pressure Relief Valve and the discharge pipe.
- Must terminate six inches (15.2 cm) above a floor drain or external to the building. In cold climates, it is recommended that the discharge pipe be terminated at an adequate drain inside the building.
- Shall not have any valve or other obstruction between the relief valve and the drain.



<b>⚠ DANGER</b>	
<b>Burn Hazard</b>	
	<p>The discharge water from the temperature-pressure relief valve is hot enough to cause burns.</p> <p>Keep clear of the temperature-pressure relief valve discharge outlet.</p>

The Temperature-Pressure Relief Valve must be manually operated at least twice a year. Caution should be taken to ensure that (1) no one is in front of or around the outlet of the Temperature-Pressure Relief Valve discharge line, and (2) the water manually discharged will not cause any bodily injury or property damage because the water may be extremely hot. If after manually operating the valve, it fails to completely reset and continues to release water, immediately close the cold water inlet to the water heater, follow the draining instructions in this manual, and replace the Temperature-Pressure Relief Valve with a properly rated/sized new one.

**Note:** The purpose of a Temperature-Pressure Relief Valve is to prevent excessive temperatures and pressures in the storage tank. The T&P valve is not intended for the constant relief of thermal expansion. A properly sized thermal expansion tank must be installed on all closed systems to control thermal expansion, see *Thermal Expansion* (page 22) and *Closed Water Systems* (page 21).

If you do not understand these instructions or have any questions regarding the Temperature-Pressure Relief Valve Contact your local distributor or contact Technical Support for assistance. See the contact information label on the water heater.

## CONDENSATE DRAIN

The water heaters covered in this manual are condensing appliances and require a building drain to be located in close proximity to allow the condensate to drain safely.

Condensate drains from the water heater at the exhaust elbow located at the bottom. The field installed condensate drain line must not be elevated above the condensate drain connection on the built-in condensate trap, see *Figure 11*. If the condensate does not drain properly it will build up in the exhaust (vent) elbow. This will restrict the flow of flue gases and cause the Blocked Exhaust Pressure switch to open its contacts. The control system monitors all pressure switches. If the Blocked Exhaust switch contacts are open, the control system will lock out and disable heating operation. The "Blocked Exhaust Fault" message will be displayed on the control system's LCD. See *Fault and Alert Messages* (page 86).

The Condensate Clean-out Cap must be on and tight when unit is in operation.

The exhaust elbow has a built-in condensate trap. Do not install an additional trap in the condensate drain piping, see *Figure 11*.

**Note:** If the "Blocked Exhaust Fault" message is displayed on the control system LCD, check the condensate drain first and ensure it is not blocked. Periodically, inspect and clean the built-in condensate trap of any debris.

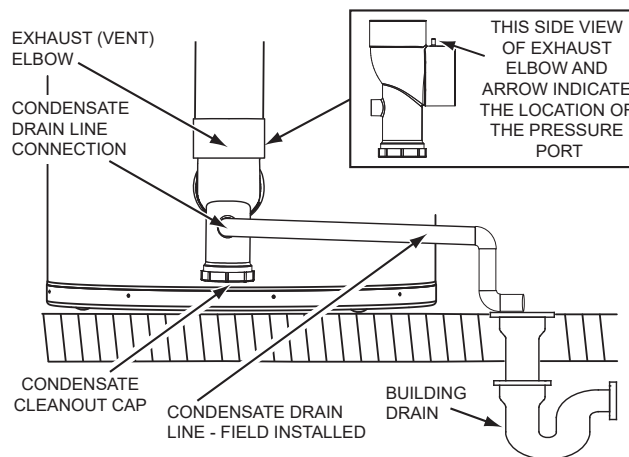


Figure 11. Exhaust/Condensate Elbow

## Condensate Drain Water Trap


**Do not** remove the factory-installed exhaust/condensate elbow (see *Figure 11*) for any reason. The water heater's vent pipe is under a slight positive pressure while unit is in operation. The water trap inside of the exhaust/condensate elbow prevents flue gases from escaping into the installed space. The exhaust elbow has a built in condensate trap. Do not install an additional trap in the condensate drain piping. See *Figure 11* and *Condensate Drain Installation* (page 49).

## Condensate pH Level

The condensate drains from the water heater's covered in this manual have pH levels between 4.3 and 5.0. Install a commercially available neutralizing kit if required by local codes.

**Note:** Lower pH levels are acidic. Do not connect a metal drain line, such as copper, to the water heater for this reason. See *Condensate Drain Installation* (page 49).


**COMBUSTIBLE MATERIAL STORAGE**

<b>⚠ WARNING</b>	
<b>Fire or Explosion Hazard</b>	
	<ul style="list-style-type: none"> <li>• Do not store or use gasoline or other flammable vapors and liquids in the vicinity of this or any other appliance.</li> <li>• Avoid all ignition sources if you smell gas.</li> <li>• Do not expose water heater controls to excessive gas pressure.</li> <li>• Use only the gas shown on the water heater rating label.</li> <li>• Maintain required clearances to combustibles.</li> <li>• Keep ignition sources away from faucets after extended periods of non-use.</li> </ul> <p><b>Read instruction manual before installing, using or servicing water heater.</b></p>

Keep water heater area clear and free of combustible materials, gasoline, and other flammable vapors and liquids.

**CONTAMINATED AIR**

Corrosion of the flue ways and vent system may occur if air for combustion contains certain chemical vapors. Such corrosion may result in failure and risk of asphyxiation.

<b>⚠ WARNING</b>	
<b>Breathing Hazard - Carbon Monoxide Gas</b>	
	<ul style="list-style-type: none"> <li>• Install water heater in accordance with the Instruction Manual and <b>NFPA 54</b> or <b>CAN/CSA-B149.1</b>.</li> <li>• To avoid injury, combustion and ventilation air must be taken from outdoors.</li> <li>• Do not place chemical vapor emitting products near water heater.</li> </ul> <p><b>Breathing carbon monoxide can cause brain damage or death. Always read and understand instruction manual.</b></p>

Combustion air that is contaminated can greatly diminish the life span of the water heater and water heater components such as igniters and burners. Propellants of aerosol sprays, beauty shop supplies, water softener chemicals and chemicals used in dry cleaning processes that are present in the combustion, ventilation or ambient air can cause such damage.


Do not store products of this sort near the water heater. Air which is brought in contact with the water heater should not contain any of these chemicals. If necessary, uncontaminated air should be obtained from remote or outdoor sources. The limited warranty is voided when failure of water heater is due to a corrosive atmosphere. See Commercial Water Heater Limited Warranty Insert for complete terms and conditions.

If the water heater will be used in beauty shops, barber shops, cleaning establishments, or self-service laundries with dry cleaning equipment, it is imperative that the water heater(s) be installed in a Direct Vent configuration so that all air for combustion is derived directly from the outdoor atmosphere through a sealed intake air pipe. See **Venting Installation** (page 29).

**AIR REQUIREMENTS**

For safe operation an adequate supply of fresh uncontaminated air for combustion and ventilation must be provided.

An insufficient supply of air can cause recirculation of combustion products resulting in contamination that may be hazardous to life. Such a condition often will result in a yellow, luminous burner flame, causing sooting of the combustion chamber, burners and flue tubes and creates a risk of asphyxiation.

<b>⚠ WARNING</b>	
<b>Breathing Hazard - Carbon Monoxide Gas</b>	
	<ul style="list-style-type: none"> <li>• Install water heater in accordance with the Instruction Manual and <b>NFPA 54</b> or <b>CAN/CSA-B149.1</b>.</li> <li>• To avoid injury, combustion and ventilation air must be taken from outdoors.</li> <li>• Do not place chemical vapor emitting products near water heater.</li> </ul> <p><b>Breathing carbon monoxide can cause brain damage or death. Always read and understand instruction manual.</b></p>

Do not install the water heater in a confined space unless an adequate supply of air for combustion and ventilation is brought in to that space using the methods described in the **Confined Space** section that follows.

Never obstruct the flow of ventilation air. If you have any doubts or questions at all, call your gas supplier. Failure to provide the proper amount of combustion air can result in a fire or explosion and cause property damage, serious bodily injury or death.

**Unconfined Space**

An Unconfined Space is one whose volume is **not less than** 50 cubic feet per 1,000 Btu/hr (4.8 cubic meters per kW) of the total input rating of all appliances installed in the space. Rooms communicating directly with the space, in which the appliances are installed, through openings not furnished with doors, are considered a part of the unconfined space.

Makeup air requirements for the operation of exhaust fans, kitchen ventilation systems, clothes dryers and fireplaces shall also be considered in determining the adequacy of a space to provide combustion, ventilation and dilution air.



### Unusually Tight Construction

In unconfined spaces in buildings, infiltration may be adequate to provide air for combustion, ventilation and dilution of flue gases. However, in buildings of unusually tight construction (for example, weather stripping, heavily insulated, caulked, vapor barrier, etc.), additional air must be provided using the methods described in the **Confined Space** section that follows.

### Confined Space

A **confined space** is one whose volume is **less than** 50 cubic feet per 1,000 Btu/hr (4.8 cm per kW) of the total input rating of all appliances installed in the space.

Openings must be installed to provide fresh air for combustion, ventilation and dilution in confined spaces. The required size for the openings is dependent on the method used to provide fresh air to the confined space **and** the total Btu/hr input rating of all appliances installed in the space.

### Direct Vent Appliances

Appliances installed in a Direct Vent configuration that derive all air for combustion from the outdoor atmosphere through sealed intake air piping are not factored in the total appliance input Btu/hr calculations used to determine the size of openings providing fresh air into confined spaces.

### Exhaust Fans

Where exhaust fans are installed, additional air shall be provided to replace the exhausted air. When an exhaust fan is installed in the same space with a water heater, sufficient openings to provide fresh air must be provided that accommodate the requirements for all appliances in the room and the exhaust fan. Undersized openings will cause air to be drawn into the room through the water heater's vent system causing poor combustion. Sooting, serious damage to the water heater, and the risk of fire or explosion may result. It can also create a risk of asphyxiation.

### Louvers and Grilles

The free areas of the fresh air openings in the instructions that follow do not take into account the presence of louvers, grilles or screens in the openings.

The required size of openings for combustion, ventilation and dilution air shall be based on the "net free area" of each opening. Where the free area through a design of louver or grille or screen is known, it shall be used in calculating the size of opening required to provide the free area specified. Where the louver and grille design and free area are not known, it shall be assumed that wood louvers will have 25% free area and metal louvers and grilles will have 75% free area. Non motorized louvers and grilles shall be fixed in the open position.

## FRESH AIR OPENINGS FOR CONFINED SPACES

The following instructions shall be used to calculate the size, number and placement of openings providing fresh air for combustion, ventilation and dilution in confined spaces. The illustrations shown in this section of the manual are a reference for the openings that provide fresh air into confined spaces only. **Do not** refer to these illustrations for the purpose of vent installation. See **Venting Installation** (page 29) for complete venting installation instructions.

### Outdoor Air Through Two Openings

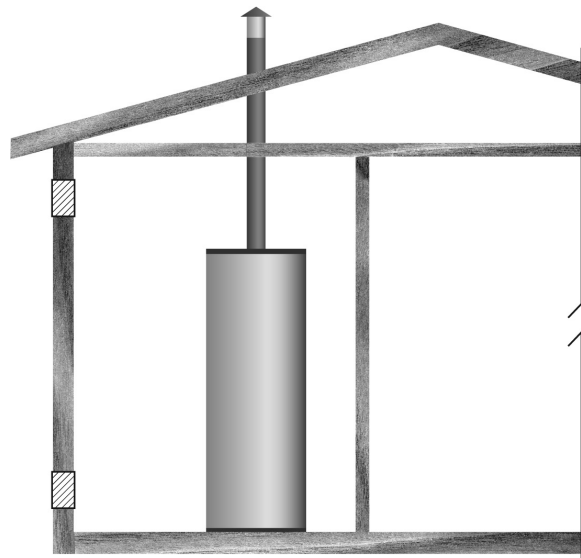
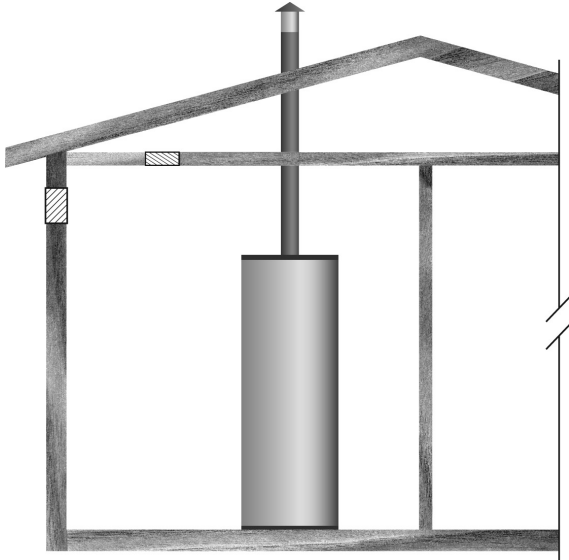


Figure 12. Outdoor Air Through Two Openings

The confined space shall be provided with two permanent openings, one commencing within 12 inches (300 mm) of the top and one commencing within 12 inches (300 mm) of the bottom of the enclosure. The openings shall communicate directly with the outdoors. See **Figure 12**.

Each opening shall have a minimum free area of 1 square inch per 4,000 Btu/hr (550 mm<sup>2</sup> per kW) of the aggregate input rating of all appliances installed in the enclosure. Each opening shall not be less than 100 square inches (645 cm<sup>2</sup>).

**Outdoor Air Through One Opening**

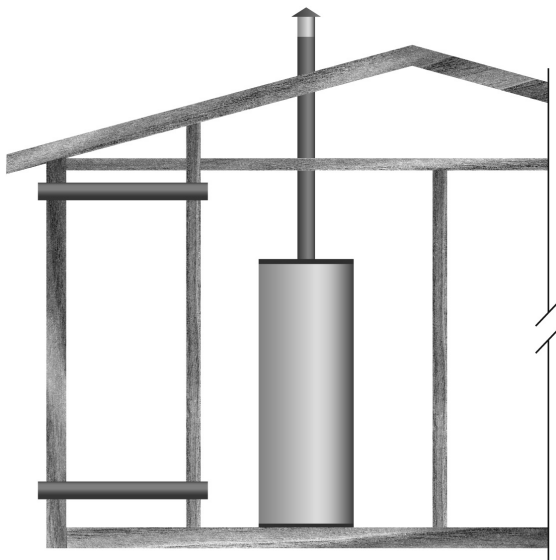


**Figure 13. Outdoor Air Through One Opening**

Alternatively a single permanent opening, commencing within 12 inches (300 mm) of the top of the enclosure, shall be provided. See **Figure 13**. The water heater shall have clearances of at least 1 inch (25 mm) from the sides and back and 6 inches (150 mm) from the front of the water heater. The opening shall directly communicate with the outdoors or shall communicate through a vertical or horizontal duct to the outdoors or spaces that freely communicate with the outdoors and shall have a minimum free area of the following:

1. One square inch per 3000 Btu/hr (733 mm<sup>2</sup> per kW) of the total input rating of all appliances located in the enclosure
2. Not less than the sum of the areas of all vent connectors in the space

**Outdoor Air Through Two Horizontal Ducts**



**Figure 14. Two Horizontal Ducts**

The confined space shall be provided with two permanent horizontal ducts, one commencing within 12 inches (300 mm) of the top and one commencing within 12 inches (300 mm) of the bottom of the enclosure. The horizontal ducts shall communicate directly with the outdoors. See **Figure 14**.

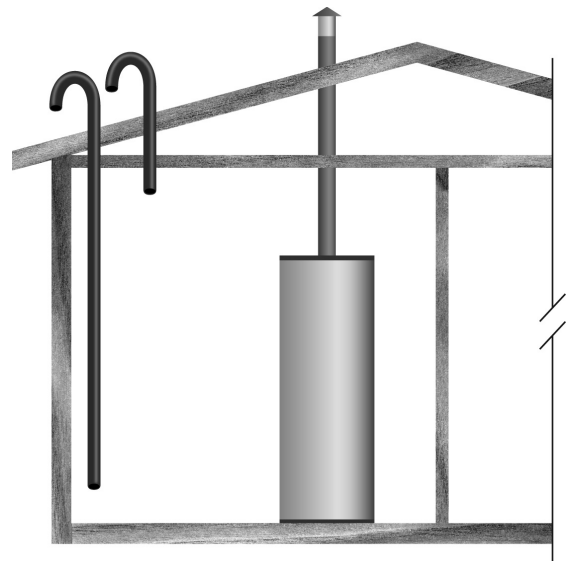
Each duct opening shall have a minimum free area of 1 square inch per 2,000 Btu/hr (1100 mm<sup>2</sup> per kW) of the aggregate input rating of all appliances installed in the enclosure.

When ducts are used, they shall be of the same cross sectional area as the free area of the openings to which they connect. The minimum dimension of rectangular air ducts shall be not less than 3 inches.

**Outdoor Air Through Two Vertical Ducts**

The illustrations shown in this section of the manual are a reference for the openings that provide fresh air into confined spaces only.

**Do not** refer to these illustrations for the purpose of vent installation. See **Venting Installation** (page 29) for complete venting installation instructions.



**Figure 15. Two Vertical Ducts**

The confined space shall be provided with two permanent vertical ducts, one commencing within 12 inches (300 mm) of the top and one commencing within 12 inches (300 mm) of the bottom of the enclosure. The vertical ducts shall communicate directly with the outdoors. See **Figure 15**.

Each duct opening shall have a minimum free area of 1 square inch per 4,000 Btu/hr (550 mm<sup>2</sup> per kW) of the aggregate input rating of all appliances installed in the enclosure.

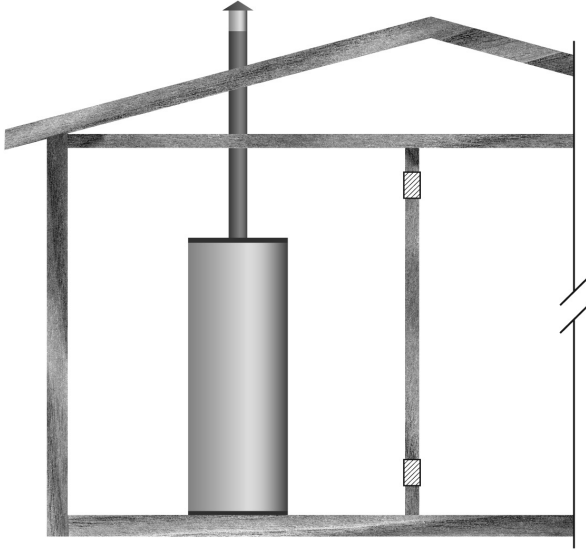
When ducts are used, they shall be of the same cross sectional area as the free area of the openings to which they connect. The minimum dimension of rectangular air ducts shall be not less than 3 inches (7.62 cm).



---

**Air From Other Indoor Spaces**

---



**Figure 16. Two Permanent Openings**

The confined space shall be provided with two permanent openings, one commencing within 12 inches (300 mm) of the top and one commencing within 12 inches (300 mm) of the bottom of the enclosure. See **Figure 16**.

Each opening shall communicate directly with an additional room(s) of sufficient volume so that the combined volume of all spaces meets the criteria for an Unconfined Space.

Each opening shall have a minimum free area of 1 square inch per 1,000 Btu/hr (2200 mm<sup>2</sup> per kW) of the aggregate input rating of all appliances installed in the enclosure. Each opening shall not be less than 100 square inches (645 cm<sup>2</sup>).

---

**MASSACHUSETTS REQUIREMENTS**


---

**COMMONWEALTH OF MASSACHUSETTS**


---

For all side wall terminated, horizontally vented power vent, direct vent, and power direct vent gas fueled water heaters installed in every dwelling, building or structure used in whole or in part for residential purposes, including those owned or operated by the Commonwealth and where the side wall exhaust vent termination is less than seven (7) feet above finished grade in the area of the venting, including but not limited to decks and porches, the following requirements shall be satisfied:

**INSTALLING CARBON MONOXIDE DETECTORS**


---

At the time of installation of the side-wall horizontal-vented gas-fueled equipment, the installing plumber or gas-fitter shall observe that a hard-wired carbon-monoxide detector, with an alarm and battery back-up, is installed on the floor level where the gas equipment is to be installed. In addition, the installing plumber or gas-fitter shall observe that a battery-operated or hard-wired carbon-monoxide detector, with an alarm, is installed on each additional level of the dwelling, building, or structure served by the side-wall horizontal-vented gas-fueled equipment. It shall be the responsibility of the property owner to secure the services of qualified licensed professionals for the installation of hard-wired carbon-monoxide detectors.

In the event that the side-wall horizontally-vented gas-fueled equipment is installed in a crawl space or an attic, the hard-wired carbon-monoxide detector, with alarm and battery back-up, may be installed on the next adjacent floor level.

In the event that the requirements of this subdivision can not be met at the time of completion of installation, the owner shall have a period of thirty (30) days to comply with the above requirements provided that during said thirty (30) day period, a battery-operated carbon-monoxide detector, with an alarm, shall be installed.

**APPROVED CARBON MONOXIDE DETECTORS**


---

Each carbon-monoxide detector as required in accordance with the above provisions shall comply with *NFPA 720* and be *ANSI/UL 2034* listed and *CSA* certified.

**SIGNAGE**


---

A metal or plastic identification plate shall be permanently mounted to the exterior of the building at a minimum height of eight (8) feet above grade directly in line with the exhaust vent terminal for the horizontally-vented gas-fueled heating appliance or equipment. The sign shall read, in print size no less than one-half (1/2) inch in size, ***“gas vent directly below. Keep clear of all obstructions.”***

**INSPECTION**


---

The state or local gas inspector of the side-wall horizontally-vented gas-fueled equipment shall not approve the installation unless, upon inspection, the inspector observes carbon-monoxide detectors and signage installed in accordance with the provisions of **248 CMR 5.08(2)(a) 1 through 4**.

**EXEMPTIONS**


---

The following equipment is exempt from **248 CMR 5.08(2)(a)1 through 4**:

1. The equipment listed in Chapter 10 entitled “Equipment Not Required To Be Vented” in the most current edition of *NFPA 54* as adopted by the Board; and
2. Product Approved side-wall horizontally-vented gas-fueled equipment installed in a room or structure separate from the dwelling, building, or structure used in whole or in part for residential purposes.

**MANUFACTURER REQUIREMENTS - GAS EQUIPMENT VENTING SYSTEM PROVIDED**


---

When the manufacturer of Product Approved side-wall horizontally-vented gas-fueled equipment provides a venting system design or venting system components with the equipment, the instructions provided by the manufacturer for installation of the equipment and the venting system shall include:

1. Detailed instructions for the installation of the venting-system design or the venting-system components
2. A complete parts list for the venting-system design or venting system.

**MANUFACTURER REQUIREMENTS - GAS EQUIPMENT VENTING SYSTEM NOT PROVIDED**


---

When the manufacturer of a Product Approved side-wall horizontally-vented gas-fueled equipment does not provide the parts for venting the flue gases, but identifies “special venting systems,” the following requirements shall be satisfied by the manufacturer:

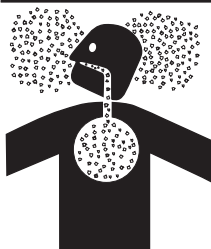
1. The referenced “special venting system” instructions shall be included with the appliance or equipment installation instructions.
2. The “special venting systems” shall be Product Approved by the Board, and the instructions for that system shall include a parts list and detailed installation instructions.

A copy of all installation instructions for all Product Approved side-wall horizontally-vented gas-fueled equipment, all venting instructions, all parts lists for venting instructions, and/or all venting-design instructions shall remain with the appliance or equipment at the completion of the installation.

# VENTING INSTALLATION

## WARNING

### Breathing Hazard - Carbon Monoxide Gas



- Install vent system in accordance with codes.
- Do not operate water heater if exposed to flooding or water damage.
- Special consideration must be taken with installations above 10,000 feet (3,048 m) refer to high altitude section of this manual.
- Do not operate if soot buildup.
- Do not obstruct water heater air intake with insulating jacket or blanket.
- Do not place chemical vapor emitting products near water heater.
- Gas and carbon monoxide detectors are available.
- Never operate the heater unless it is vented to the outdoors and has adequate air supply to avoid risks of improper operation, fire, explosion or asphyxiation.
- Analyze the entire vent system to make sure that condensate will not become trapped in a section of vent pipe and therefore reduce the open cross sectional area of the vent.

**Breathing carbon monoxide can cause brain damage or death. Always read and understand instruction manual.**

Never operate the water heater unless it is vented to outdoors. The instructions in this section of the manual must be followed to avoid choked combustion or recirculation of flue gases. Such conditions cause sooting of the combustion chamber, burners, and flue tubes, and creates a risk of asphyxiation.

## GENERAL VENTING INFORMATION

The water heaters covered in this manual are Category IV appliances and may be installed in either a Power Vent or Direct Vent configuration.

### Approved Materials

Approved vent and intake air pipe materials that may be used in the United States:

#### PVC pipe materials:

- DWV ASTM-D2665 or CSA B181.2
- Schedule 40 ASTM-D1785 or CSA B137.3
- SDR Series ASTM-2241 or CSA B137.3

#### CPVC pipe materials:

- CPVC 41 ASTM-D2846 or CSA B137.6
- Schedule 40 ASTM-F441 or CSA B137.6
- SDR Series ASTM-F442

**Polypropylene** - See *Polypropylene Installations* (page 39).

- M & G Duravent PolyPro vent system
- Centrotherm InnoFlue vent system

**AL29-4C Stainless Steel** - See *AL29-4C® Vent Installations* (page 39).

- HeatFab Saf-T Vent
- Duravent FasNSeal

Approved vent pipe materials that must be used in Canada:

- ULC S636 PVC / CPVC
- ULC S636 Polypropylene - See *Polypropylene Installations* (page 39).
- AL29-4C Stainless Steel - See *AL29-4C® Vent Installations* (page 39).

Approved intake air pipe materials that must be used in Canada:

**PVC pipe materials:**

- DWV ASTM-D2665 or CSA B181.2
- Schedule 40 ASTM-D1785 or CSA B137.3
- SDR Series ASTM-D2241 or CSA B137.3

**CPVC pipe materials:**

- CPVC 41 ASTM-D2846 or CSA B137.6
- Schedule 40 ASTM-F441 or CSA B137.6
- SDR Series ASTM-F442

**Polypropylene** - See *Polypropylene Installations* (page 39).

- M & G Duravent PolyPro vent system
- Centrotherm InnoFlue vent system

**AL29-4C Stainless Steel** - See *AL29-4C® Vent Installations* (page 39).

- HeatFab Saf-T Vent
- Duravent FasNSeal

Where applicable, the installation of the venting system should be done in accordance with the venting system manufacturer's instructions.

**Note:** The use of cellular core PVC (ASTM F891), cellular core CPVC, or Radel® (polyphenolsulfone) in non-metallic venting systems

is prohibited. Covering non-metallic vent pipe and fittings with thermal insulation is prohibited.

---

**CATEGORY IV APPLIANCES**

---

Category IV appliances operate with a positive vent (exhaust) static pressure and with vent-gas temperatures low enough to produce condensate in the vent piping.

---

**Power Vent Configurations**

---

Power Vent configurations derive all combustion air from the room where they are installed and discharge all flue gases to the outdoor atmosphere through a sealed vent (exhaust) pipe. Power vent configurations have one vent pipe connected to the water heater which can be terminated in a vertical or horizontal arrangement. See *Figure 45* and *Figure 46* (page 45).

---

**Direct Vent Configurations**

---

Direct Vent configurations derive all combustion air directly from the outdoor atmosphere through a sealed intake air pipe and discharge all flue gases to the outdoor atmosphere through a sealed vent (exhaust) pipe. Direct Vent configurations have two pipes connected to the water heater, one vent pipe and one intake air pipe. Direct Vent configurations can be terminated in one of seven different arrangements. See *Figure 44* through *Figure 50* (beginning on page 45).



## GENERAL VENTING INSTRUCTIONS

These instructions must be followed on all installations.

1. **Do not** install the water heater in a Power Vent configuration unless there is adequate supply of fresh air, see **Air Requirements** (page 24). If the installation space does not provide an adequate supply of fresh air the water heater must be installed in a Direct Vent configuration.
2. If the water heater is to be installed in a beauty shop, barber shop, cleaning establishment, a laundry with dry cleaning equipment or any space with contaminated air it is imperative that the water heater(s) be installed in a Direct Vent configuration so that all air for combustion is derived from the outdoor atmosphere.
3. The vent and intake air piping must terminate outdoors.
4. The minimum clearance from combustible materials for the vent (exhaust) and intake air piping shall be 0 inches. Vent piping passing through a combustible wall or ceiling must be a continuous run (no joints).
5. The water heater must be protected from freezing downdrafts during shutdown periods.
6. The intake air and vent pipes **must not be combined** with pipes from any other appliance.
7. Locate the water heater where the vent (exhaust) and intake air piping will remain within the maximum equivalent lengths allowed. See **Venting Requirements** (page 32).
8. Do not install the vent or intake air piping in a manner that will allow water to be trapped in the piping.
9. Vent pipes and air intakes must be pitched a minimum of a 1/4 inch per foot back to the water heater (to allow drainage of condensate).
10. Do not anchor the vent or intake air pipe directly to framed walls, floors or ceilings unless rubber isolation pipe hangers are used to prevent vibration noise from being transmitted.
11. Use only approved vent/intake air pipe sizes and materials. See **Venting Requirements** (page 32).
12. Use only factory-supplied vent and intake air, concentric or low profile terminations. See **Venting Requirements** (page 32).
13. Do not locate the vent (exhaust) or intake air terminations where they would be objectionable due to noise at the termination(s). This includes locations close to or across from windows and doors.

14. Direct venting into dead air spaces such as alleys, atriums, and inside corners can cause recirculation of flue gases. Recirculation of flue gases will cause sooting, premature failure of the heat exchanger and icing of the combustion air intake during severe cold weather. To prevent the recirculation of flue gases, maintain as much distance as possible between the intake air and vent terminations.
15. Do not locate the vent termination over public walkways or a public area where condensate or vapor can cause a nuisance or ice hazard.
16. Ensure the screens in the factory-supplied terminations are securely installed to prevent blockage in the vent system.
17. Stress levels in pipe/fittings can be significantly increased by improper installation. If rigid pipe clamps are used to hold the pipe in place, or if the pipe cannot move freely through a wall penetration, the pipe may be stressed, or high thermal stresses may be formed when the pipe heats up and expands. Install accordingly to minimize such stresses.
18. Ensure the intake air connection Tee fitting is oriented properly, see page **Intake Air Connection** section for instructions.
19. Carefully read the **Venting Requirements** (page 32) and then proceed to **COMMON VENTING** (page 34).

### Intake Air Connection

The water heaters covered in this manual are factory equipped with a unique Combustion Blower and intake air connection Tee fitting. The intake air connection Tee fitting has a hose barb installed in the 1/2 inch branch to connect the Blocked Intake Air switch sensing tube, see **Figure 17**.

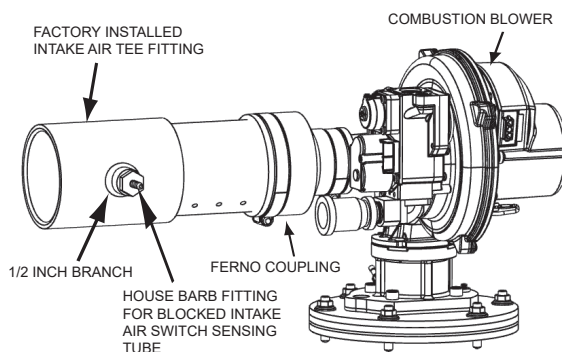


Figure 17. Intake-Air Connection

Ensure the hose barb installed in the Tee fitting *is not* facing down towards the ground (180° - 6 o'clock position) before venting installation begins. The barb fitting must be angled between 90° and no more than 130° as shown in **Figure 18**. If the barb fitting is facing down, residual condensate that occasionally forms in the intake air pipe can drain into the Blocked Intake Air switch through the attached sensing tube and damage the switch. This condition can also lead to Blocked Intake Air fault conditions and associated control system lock outs.

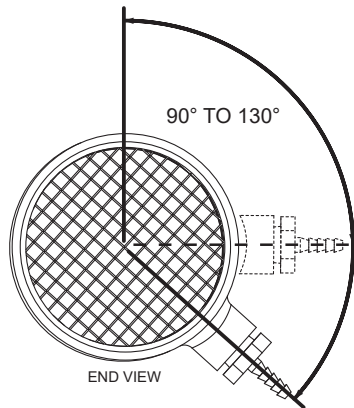


Figure 18. Orientation of Intake Air Tee Fitting

The intake air Tee fitting is factory-installed with the 1/2 inch branch and hose barb angled to the right at approximately 130° when viewed from the end, see **Figure 18**. The Tee fitting's 1/2 inch branch and hose barb must not be angled any lower (towards the ground) than this factory specification. Angling higher, up to a 90° position, will not adversely affect operation and is acceptable.

#### Inspect/Adjust Intake Air Tee Fitting

Inspect the angle of the Tee fitting's 1/2 inch branch and hose barb while viewing from the end of the Tee. See **Figure 18**. If the angle of the Tee fitting 1/2 inch branch and hose barb is lower than shown, adjustment will be necessary. To adjust the intake air Tee fitting angle follow the steps listed below.

1. Ensure the water heater is turned off at the on/off switch on the front of the water heater.
2. Disconnect the Blocked Intake Air switch sensing tube, see **Figure 4** (page 12) for the location.
3. Loosen the large hose clamp on the Fernco coupling that connects the intake air connection pipe to the Combustion blower. See **Figure 19**.

4. Adjust the angle of the Tee fitting so that the 1/2 inch branch and hose barb are at the proper angle as shown in **Figure 18**.
5. Retighten the large hose clamp on the Combustion Blower intake air Fernco coupling. Torque clamp to 24-30 in/lbs.
6. Reconnect the Blocked Intake Air switch sensing tube making sure the sensing tube is securely connected at both ends and is not kinked.

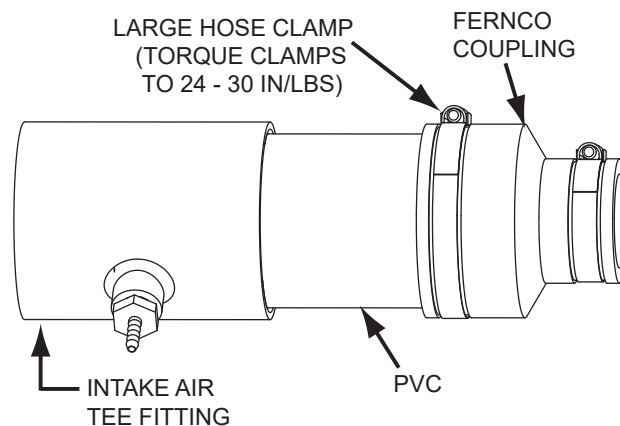


Figure 19. Intake Air Connection Pipe

## VENTING REQUIREMENTS

### Field-Supplied Fittings

Field-supplied fittings should be equivalent to the piping material being installed. Field-installed/supplied fittings will add equivalent length to the vent or intake air piping as indicated below. All field-supplied/installed fittings and piping must be factored into the equivalent length calculations.

- 90° elbows (short or long radius) are equivalent to 5 linear feet (152 cm) of PVC pipe.
- 45° elbows (short or long radius) are equivalent to 2.5 linear feet (76 cm) of PVC pipe.

### Primer and Cement

Tetrahydrofuran (THF) primer should be used to prepare the surfaces of pipe and fittings for solvent welding. If CPVC pipe and fittings are used, then the proper cement must be used for all joints, including joining the pipe to the factory provided terminations (PVC material). PVC Materials should use ASTM D-2564 Grade Cement; CPVC Materials should use ASTM F-493 Grade Cement.

**Pipe Size Requirements**

The water heaters covered in this manual are certified for the use with two-, three-, four-, and six-inch pipe for the vent (exhaust) and intake air piping.

**Note:** Install the pipe size required for the installed equivalent length of each pipe independently. For example, on the 220 gallon model, if the intake-air pipe will be 100 feet equivalent length or less and the vent pipe will be more than 100 feet equivalent length; the intake-air pipe must be installed using 4 inch pipe and the vent must be installed using 6 inch pipe.

There is no minimum equivalent length requirement for the intake air pipe.

The minimum equivalent length requirement for the exhaust pipe is 7 feet for all models.

**Maximum Number Of Elbows**

The maximum number of elbows allowed varies according to the heater input rating and pipe diameter. See **Table 7** and **Table 8** (page 33).

**Factory-Supplied Fittings**

The water heater ships with two factory-supplied 3-inch or 4-inch terminations (PVC 45° elbows with debris screen). Factory-supplied vent and intake air terminations, concentric, or low-profile terminations must be used. Factory-supplied terminations and installed fittings (exhaust/condensate elbow and intake air connection) add zero equivalent length to the vent and intake air piping.

**Note:** For 220 gallon units: 3 inch vent and/ or intake pipe as well as 3 inch terminations previously used on older 300 and 399.9 kbtu/hr models must be replaced with 4 inch or 6 inch pipe and 4 inch or 6 inch terminations depending on installed length.

Model	Maximum Equivalent Length, Feet (Meters)			Maximum Number of Elbows		
	2" Pipe	3" Pipe	4" Pipe	2"	3"	4"
150	50 (15.2)	45.72 (150)	200 (60.96)	4	4	6
199	40 (12.2)	45.72 (150)	200 (60.96)	4	4	6
250	20 (6.10)	150(45.72)	200 (60.96)	2	4	6

Number of 90° Elbows Installed	Maximum Feet (Meters)	
	4 Inch Pipe	6 Inch Pipe
One (1)	95(28.9)	145(44.1)
Two (2)	90(27.4)	140(42.6)
Three (3)	85(25.9)	135(41.1)
Four (4)	80(24.3)	130(39.6)
Five (5)	75(22.8)	125(38.1)
Six (6)	70(21.3)	120(36.5)

**Optional Concentric & Low Profile Terminations**

The water heaters covered by this manual may be installed in a Direct Vent configuration using a concentric termination or a low-profile termination.

Concentric and Low-Profile terminations must be ordered separately. Contact your local distributor or contact Technical Support for assistance. See the contact information label on the water heater.

The following are the part numbers for the different pipe diameters:

- Two-Inch Concentric Termination #100112869
- Two-Inch Low-Profile Termination #100187903
- Four-Inch Concentric Termination # 100111100 (used for both three- and four-inch diameter piping)
- Three-Inch Low-Profile Termination # 100187887
- Four-Inch Low-Profile Termination # 100187888
- Six-Inch Concentric Termination # 100113124 (used for both 4 and 6 inch diameter piping)
- Six-Inch Low-Profile Termination # 100187889



## COMMON VENTING

The water heaters covered by this manual may be installed using a common horizontal direct vent kit. Contact Technical Support for more information or to order. See the contact information label on the water heater.

## VENTING INSTALLATION SEQUENCE

1. Read *General Venting Instructions* (page 31) and *Venting Requirements* (page 32) before proceeding. These instructions and requirements must be followed on all installations.
2. Determine whether the water heater will be installed in a Power Vent or Direct Vent configuration and which vent system arrangement will be used for the installation. See the various venting arrangements in .
3. Proceed to the applicable instructions:
  - *Power Vent Installation* (page 34).
  - *Direct Vent Installation* (page 34).

## POWER VENT INSTALLATION

1. Read the *General Venting Instructions* (page 31) and *Venting Requirements* (page 32) before proceeding. These instructions and requirements must be followed in addition to the instructions below that are specific for Power Vent configurations.
2. Determine which Power Vent arrangement will be used for the installation; vertical or horizontal termination. See *Figure 45* and *Figure 46* (page 45).
3. Determine the vent pipe size for the installation. See *Venting Requirements* (page 32).
4. Plan the layout of the vent piping backwards from the termination point outdoors to the water heater. Layout the vent piping to use a minimum of pipe and elbows.
5. Install the termination first.
  - If the vent piping will terminate vertically, through a roof, see *Vertical Termination Installation* (page 36).
  - If the vent piping will terminate horizontally, through a sidewall, see *Horizontal Termination Installation* (page 37).
6. When installation of the termination is complete install necessary piping and fittings to route the vent piping back to the water heater.
7. The vent pipe shall be supported properly to avoid bending or failure. The water heater manufacturer recommends that the vent pipe be supported every five feet (152 cm) of vertical run and every three feet (91 cm) of horizontal run.
8. Do not install the vent piping in a manner that will allow water to be trapped in the piping.

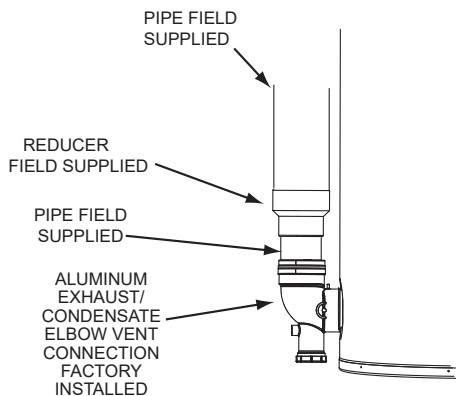


Figure 20. Vent (Exhaust) Connection

9. All vent (exhaust) pipes shall be pitched a minimum of a 1/4 inch per foot back to the water heater (to allow drainage of condensate).
10. If installing the same size vent pipe, connect the vent pipe to the exhaust elbow on the water heater.
11. If installing a different diameter pipe, transition to smaller diameter pipe at the exhaust elbow on the water heater as shown in *Figure 20* (page 34). The field installed pipe between the exhaust elbow and the reducer coupling should be 18 inches (45 cm) or less in length.

## DIRECT VENT INSTALLATION

1. Read the *General Venting Instructions* (page 31) and *Venting Requirements* (page 32) before proceeding. These instructions and requirements must be followed in addition to the instructions below that are specific for Direct Vent configurations.
2. Determine which Direct Vent arrangement will be used for the installation. There are seven Direct Vent arrangement options. See *Figure 47* through *Figure 53* (page 45).
3. Determine vent and intake air pipe size to be used for the installation. See *Venting Requirements* (page 32).
4. Plan the layout of the vent and intake air piping backwards from the termination point outdoors to the water heater. Layout the vent and intake air piping to use a minimum of pipe and elbows.
5. Install the terminations first.
  - If standard terminations are being used and the intake air or vent piping will terminate vertically, through a roof, see *Vertical Termination Installation* (page 36).
  - If standard terminations are being used and the intake air or vent piping will terminate horizontally, through a sidewall, see *Horizontal Termination Installation* (page 37).
  - If a concentric termination(s) will be used see *Concentric Termination Installation Preparation* (page 40).
  - If a low-profile termination will be used see *Low-Profile Vent Termination installation* (page 44).
6. When installation of the termination(s) is complete, install necessary piping and fittings to route the intake air and vent piping back to the water heater.
7. The intake air and vent piping shall be supported properly to avoid bending or failure. The water heater manufacturer recommends that the vent and intake air piping be supported every 5 feet (152 cm) of vertical run and every 3 feet (91 cm) of horizontal run.
8. Do not install the vent or intake air piping in a manner that will allow water to be trapped in the piping.


- A field-supplied condensate Tee fitting and drain hose shall be installed in the intake air piping near the water heater in colder climates with heavy snow accumulations and in areas that regularly experience high humidity. The drain hose should be routed to an adequate floor drain separate from any other condensate drains. See **Figure 23** (page 35).

**Note:** Snow being pulled into the intake air piping and then melting can lead to excessive amounts of water accumulation and damage water heater components. Warm, humid outdoor air can lead to excessive condensation inside the intake air piping and may also damage water heater components.

- The intake air and vent (exhaust) piping must be pitched a minimum of a 1/4 inch per foot back to the water heater (to allow drainage of condensate).
- If installing the same size vent pipe connect the vent pipe to the exhaust elbow on the water heater.
- If installing a different diameter vent pipe, transition to pipe at the exhaust elbow on the water heater as shown in **Figure 20** (page 34). The field installed pipe between the exhaust elbow and the reducer coupling should be 18 inches (45 cm) or less in length.
- Ensure the Intake Air Screen on the Intake Air Connection to the water heater is removed before connecting the intake air pipe to the water heater. See **Figure 21** (page 35).

**⚠ WARNING**

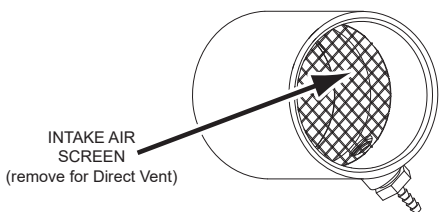
**Breathing Hazard - Carbon Monoxide Gas**



- Do not obstruct water heater air intake.
- Gas and carbon monoxide detectors are available.
- Install water heater in accordance with the instruction manual and applicable codes.

Breathing carbon monoxide can cause brain damage or death. Always read and understand instruction manual.

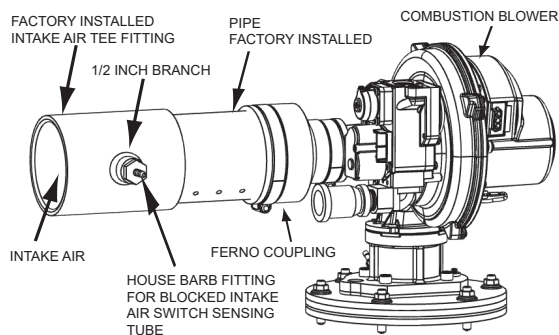
**Note:** Do not leave the screen inside the Intake Air Connection for Direct Vent installations. Once the intake air pipe is installed the screen will be hidden from view and may become clogged with debris over time. This will cause improper combustion and may also lead to Blocked Intake Air fault conditions and associated control system lock outs.



**Figure 21. Intake Air Screen**

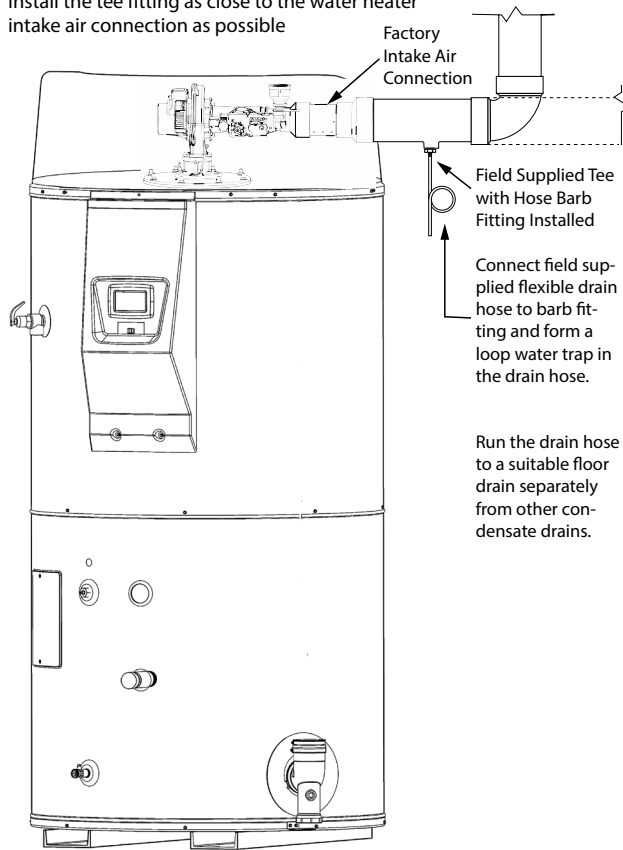
- If installing the same size intake air pipe connect the intake air pipe to the intake air connection on the water heater.

- If installing a 2 or 4 inch diameter intake air pipe, transition to three-inch pipe at the intake air connection on the water heater as shown in **Figure 22**. The field installed three-inch pipe between the intake air connection and the reducer coupling should be 18 inches (45 cm) or less in length.
- if installing 6" air intake pipe, transition to 4" pipe at the intake air connection on the water heater as shown in figure 20. The field installed 4" pipe between the intake air connection and the 6x4 inch reducer coupling should be 18" or less in length.



**Figure 22. Intake Air Connection**

Install the tee fitting as close to the water heater intake air connection as possible



**Figure 23. Intake Air Condensate Tee Installation**

### Direct Vent Air Intake Moisture Protection

The air intake piping in a direct vent system will normally not have any moisture accumulation in it. However, in certain cases, moisture may build up and needs to be drained. Typical situations include, but are not limited to:

- Cold outdoor temperature, particularly if the air inlet is short
- Heater being used mostly for space heating
- Air inlet pipe has vertical rise near the heater

Installations with any of these conditions are required to provide a moisture drain with a trap that flows to a waste drain. See **Figure 23**. A horizontal section of the air inlet pipe, near the heater should include a tee and a hose barb fitting to drain the water. The tee should be as close to the heater as is practical. The drain tubing in any installation should have a loop trap and flow to an appropriate waste drain. The air intake drain line must be entirely separate from the exhaust vent outlet condensate line.

### VERTICAL TERMINATION INSTALLATION

1. Determine the location for the termination(s).
2. If installing only the vent (exhaust) piping in a Power Vent configuration vertically through the roof; ensure that all exterior vertical clearance requirements shown in **Figure 25** (page 37) and **Figure 26** (page 37) are being maintained. These clearances and those cited by local and national codes must be maintained.

**Note:** On flat roof installations the vent termination must be a minimum of 24 inches (60 cm) above any parapet, vertical wall or structure within 10 feet (3 m) horizontally. See **Figure 26**.

3. If installing both intake air and vent piping in a Direct Vent configuration vertically through the roof; ensure that all exterior vertical clearance requirements shown in **Figure 25** (page 37) and **Figure 26** (page 37) are being maintained. These clearances and those cited by local and national codes must be maintained.

**Note:** On flat roof installations the intake air and the vent terminations must be a minimum of 24 inches (60 cm) above any parapet, vertical wall or structure within 10 feet (3 m) horizontally. See **Figure 26** (page 37).

4. If installing only vent piping in a Power Vent configuration vertically through the roof the following instructions must be followed:

- The vent termination must be oriented facing downward as shown in **Figure 25** and **Figure 26** (page 37).
- The bottom edge of vent termination must be a minimum of 12 inches (30 cm), 18 inches (45 cm) in Canada, above average or expected snow level as shown in **Figure 25** (page 37).

5. If installing both intake air and vent piping in a Direct Vent configuration vertically through the roof the following instructions must be followed:

- The intake air and vent pipes must penetrate the same side of the roof as shown in **Figure 27** (page 37).
- The intake air and vent terminations must be oriented facing downward and in the same direction as shown in **Figure 27** (page 37).
- The intake air and vent terminations must have a minimum separation of 24" (61 cm) measured on center line as shown in **Figure 27** (page 37). In colder climates this separation should be increased to at least 48 inches (122 cm).
- The bottom edge of the intake air and vent terminations must be a minimum of 12 inches (30 cm), 18 inches (45 cm) in Canada, above the average or expected snow level as shown in **Figure 25** and **Figure 27** (page 37).

6. When the intake air and/or vent piping from multiple water heaters will terminate in the same location the vent terminations can be grouped together in close proximity 0 inches/touching. Intake air terminations can also be grouped together in close proximity 0 inches/touching.

- The distance between the closest vent and intake air terminations must be a minimum of 24 inches (61 cm) as shown in **Figure 27** (page 37). In colder climates this separation should be increased to at least 48 inches (122 cm).

7. See **Table 9** for the hole size to cut, where the pipe(s) will pass through the roof.

**Note:** Beware of concealed wiring and piping when cutting through the roof.

8. Suspend the pipe(s) through center of hole using field-supplied metal strapping or equivalent support materials as shown in **Figure 25** (page 37).

9. Slide a roof boot or equivalent flashing over the pipe and secure roof boot or equivalent flashing to roof and seal around the flashing as shown in **Figure 25**, **Figure 26** (page 37), and **Figure 27** (page 37).

10. Install the factory-supplied intake air and/or vent termination(s) using field-supplied pipe and one field-supplied 90° elbow as shown in **Figure 25** (page 37) The short section of pipe that connects between the field-supplied 90° elbow and the factory-supplied termination must not be excessive in length. The exposed portion of this pipe shall be no more than 2 inches (5 cm).

11. Return to **Power Vent Installation** (page 34) or **Direct Vent Installation** (page 34) to complete the installation of the intake air and/or vent piping between the termination(s) and the water heater.

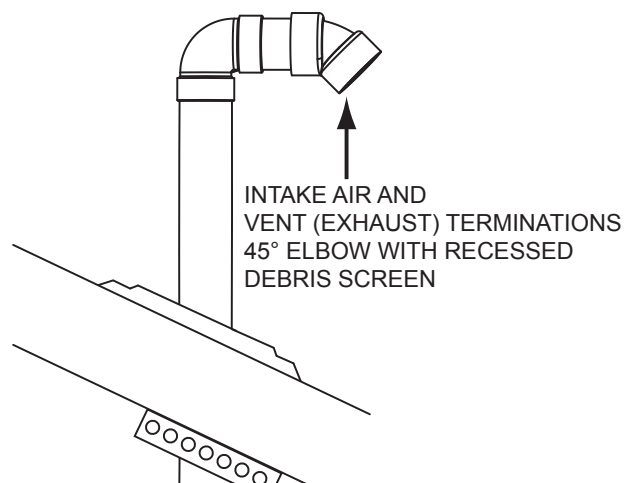


Figure 24. Standard Factory-supplied Terminations

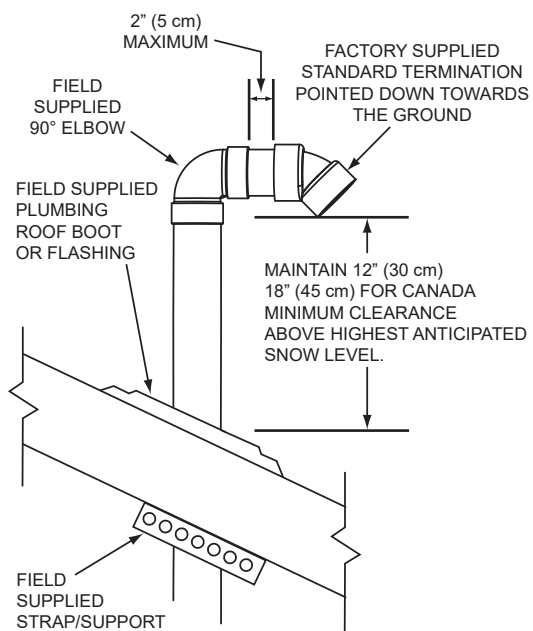


Figure 25. Vertical Termination(s) Installation: Intake Air and/or Vent (Exhaust)

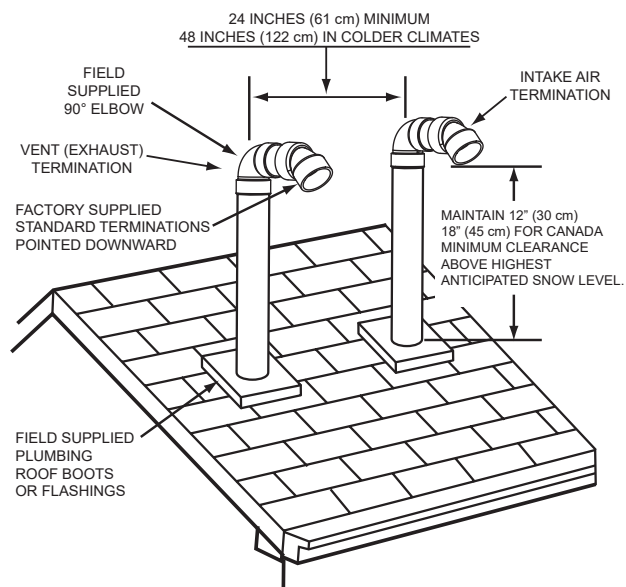


Figure 27. Vertical Termination - Direct Vent: Standard Terminations

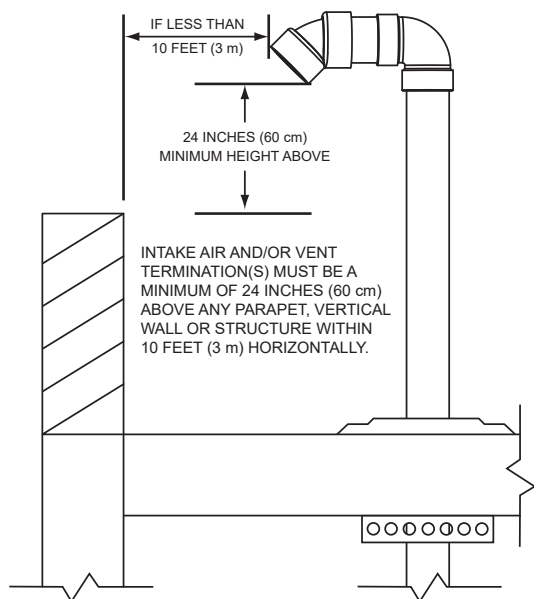


Figure 26. Vertical Termination Flat Roof Clearance - Intake Air and/or Vent (Exhaust)

### HORIZONTAL TERMINATION INSTALLATION

1. Determine the location for the termination(s).
2. If installing only vent (exhaust) piping in a Power Vent configuration through a sidewall; ensure that all exterior sidewall clearance requirements for the termination, shown in **Figure 54** (page 47), are being maintained. These clearances and those cited by local and national codes must be maintained.
3. If installing both the intake air and the vent piping in a Direct Vent configuration through a sidewall; ensure that all exterior sidewall clearance requirements for the terminations, shown in **Figure 55** (page 48), for the vent and the intake air termination are being maintained. These clearances and those cited by local and national codes must be maintained.
4. If installing both an intake air and vent termination in a Direct Vent configuration through a sidewall there must be a minimum of 24 inches (61 cm) separation, measured on vertical center line, between the intake air and vent terminations, see **Figure 28**.

**Note:** In colder climates this separation should be increased to at least 48 inches (122 cm) between intake air and vent termination or any other appliance vent that discharges moisture-laden air such as clothes dryers. This will reduce possibility of frost over from side winds blowing exhaust vapors to the intake air termination and is recommended for Canadian installations.

5. If installing both intake air and vent terminations in a Direct Vent configuration through a sidewall, the intake air and vent terminations must be installed at the same elevation measured on horizontal center line - see **Figure 28**.



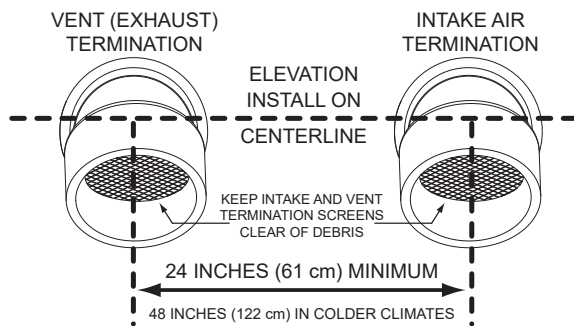


Figure 28. Side-Wall Termination - Direct Vent: Standard Terminations

6. When the intake air and/or vent piping from multiple water heaters will terminate at the same location through a sidewall, the vent terminations can be grouped together in close proximity - 0 inches/ touching. The intake air terminations can also be grouped together in close proximity - 0 inches/ touching.
  - However, the distance between the closest vent and intake air terminations must be a minimum of 24 inches (61 cm). In colder climates this separation should be increased to at least 48 inches (122 cm). See **Figure 28** (page 38).
7. Cut a hole in the wall through which pipes will pass as follows:

Pipe Size	Hole Size
2"	3" (7.6 cm)
3"	4" (10 cm)
4"	5" (13 cm)
6"	7" (18 cm)

**Note:** Beware of concealed wiring and piping when cutting through the wall.

8. Cut a length(s) of pipe being installed 3.5 inches (8.9 cm) to 9.5 inches (24.1 cm) longer than the wall thickness at the opening. See **Figure 29** (page 38).

**Note:** Vent Termination – exhaust gases of this water heater are less than 140°F. In cold climates water vapor in the exhaust gases will condense into a cloud of vapor where the vent exits the building. This vapor can gradually discolor exterior building surfaces. The vent termination should be located where this vapor cloud and potential discoloration are not a concern. Extending the exposed vent piping up to a maximum of 6 inches (15.2 cm) from the wall helps vapor from being trapped along a building’s face. To avoid this

problem, the vent can also be terminated vertically through the roof, see **Vertical Termination Installation** (page 36).

9. Cement the intake air and/or vent termination to the section(s) of pipe cut to length in the above Step.
10. The wall plates for the 3-inch or 4-inch vent pipe are included with the heater. Wall plates for two-inch or six-inch vents are field-supplied.
 

Slide the included metal wall plate(s) over the pipe(s) to stop against the intake air and/or vent termination. Place some silicone caulking (field-supplied) on the back of the wall plate(s) to secure it to the wall.
11. Working from outside, slide the pipe and termination(s) assembled in the above steps through the wall. Ensure the termination(s) is pointed down towards the ground. See **Figure 29**.

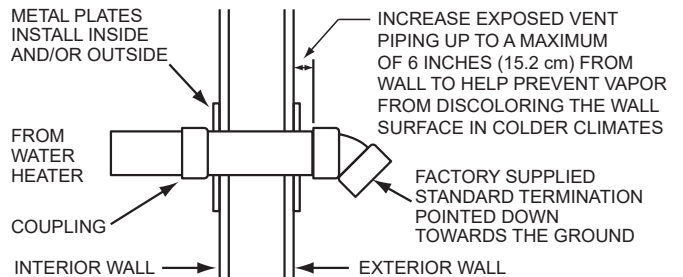


Figure 29. Side-Wall Termination Installation:

Intake Air and/or Vent (Exhaust)

12. Place a bead of silicone caulking (field-supplied) around the gap between the installed pipe(s) and the wall. Apply enough to fill the gap between the pipe(s) and wall.
13. Press the wall plate flush against the outside wall.
14. Working from the inside apply enough silicone caulking on the back of the interior wall plate(s) to hold it in place and slide the wall plate over the installed pipe(s).
15. Install a coupling to the end of the pipe(s) inside the building. Before the silicone caulking has time to completely set go outside the building and ensure the termination(s) is still pointing down towards the ground. See **Figure 29**.
16. Return to **Power Vent Installation** (page 34) or **Direct Vent Installation** (page 34) to complete the installation of the intake air and/or vent piping between the termination(s) and the water heater.



**POLYPROPYLENE INSTALLATIONS**

The water heater has been approved to be installed with Polypropylene vent material as shown in **Table 10** and **Table 11**. The approved application of single wall, non-flexible, non-concentric Polypropylene vent material is offered by two specific manufacturers (Centrotherm ECO Systems and DuraVent Polypropylene). These listed products must be installed by following the vent manufacturer’s instructions. See **Table 7** and **Table 8** (page 33) to determine the maximum pipe length and number of elbows that can be used. **Verify equivalent lengths with vendor.**

Insulation should not be used on Polypropylene venting materials. The use of insulation will cause increased vent wall temperatures, which could result in vent pipe failure.

Use only the adapters and vent system listed in Tables below. DO NOT mix vent systems of different types or manufacturers. Failure to comply could result in severe personal injury, death, or substantial property damage.

Installations must comply with applicable national, state, and local codes. For Canadian installation, Polypropylene vent must be listed as a **ULC-S636** approved system. If Polypropylene vent is not required by your local code, you may use either PVC or CPVC pipes for your water heater that allows non-metallic venting material installations.

Polypropylene vent systems do not use cement to connect the pipe and elbow sections. They use a push-together gasket-seal method. Do not attempt to connect Polypropylene with sealant cement. All vent connections MUST be secured by the vent manufacturer's joint connector. The installer must use a specific vent starter adapter at the flue connection. The adapter is supplied by the vent manufacturer to adapt to its vent system.

In order to be in full compliance with **UL 1738** or **ULC-S636** and to meet the requirements of the water heater manufacturer, you must use the metal joint connector rings, available from the Polypropylene vent manufacturer, to stiffen the joints of two-inch, three-inch, four-inch, and six-inch diameter pipes.

**AL29-4C® VENT INSTALLATIONS**

(AL29-4C® is a registered trademark of Allegheny Technologies, Inc.)

The water heaters covered by this manual are approved to be installed with AL29-4C® stainless steel vent material using parts from the manufacturers listed in **Table 12** and **Table 13** below. These listed systems must be installed using the vent manufacturer’s instructions including their listed clearances to combustible and noncombustible materials. See **Table 7** and **Table 8** (page 33) for the maximum and minimum equivalent linear vent lengths and number of elbows that may be used. However, use **Table 12** and **Table 13** below to find the appropriate equivalent linear vent lengths for the AL29-4C® elbows.

**Table 10. M & G DuraVent Polypro**

Nominal Pipe Dia.	Flue Outlet Adapter	Adapter Connector	Ring Connector	90° Elbow	Vent Material	Terminal(s)
2"	2PPS-AD	PPS-PAC	2PPS-LB	2PPS-E90B	2PPS	2PPS-E45B for Exhaust; 2PPS-E45B for intake (Direct Vent Only)
3"	3PPS-AD	PPS-PAC	3PPS-LB	3PPS-E90B	3PPS	3PPS-E45B for Exhaust; 3PPS-E45B for Intake (Direct Vent only)
4"	4PPS-AD	PPS-PAC	4PPS-LB	4PPS-E90B	4PPS	4PPS-E45B for Exhaust; 4PPS-E45B for Intake (Direct Vent only)
6"	6PPS-06PVC-6PPF	PPS-PACL	6PPS-LBC	6PPS-E90	PPS	6PPS-E45 for Exhaust; 6PPS-E45 for Intake (Direct Vent only)

**Table 11. Centrotherm InnoFlue SW**

Nominal Pipe Dia.	Flue Outlet Adapter	Adapter Connector	Ring Connector	90° Elbow	Vent Material	Terminal(s)
2"	ISA-GL0202	IAFC02	IANS02	IS-ELL0287	ISVL02	ISELLO245UV for Exhaust; ISELLO245UV for intake (Direct Vent only)
3"	ISA-GL0303	IAFC03	IANS03	IS-ELL0387	ISVL03	ISELLO345UV for Exhaust; ISELLO345UV for Intake (Direct Vent only)
4"	ISA-GL0404	IAFC04	IANS04	IS-ELL0487	ISVL04	ISELLO445UV for Exhaust; ISELLO445UV for Intake (Direct Vent only)
6"	ISA-GL0606	IAFC06	IANS06	ISEL0687	Polypropylene	ISELLO645UV for Exhaust; ISELLO645UV for Intake (Direct Vent only)

**Note:** The equivalent lengths of the AL29-4C® elbows are different than those from smooth walled plastic vents. Consult **Table 12** and **Table 13** for the correct equivalent linear vent lengths.

Listed vent systems composed of AL29-4C® must not mix parts from the different manufacturers. The joints of these products are sealed by internal gaskets. Do not use any other type of sealant. When assembling these vent systems, follow the vent manufacturer’s instructions for cleaning and lubricating the joints, if required. Each section must be locked together using the method supplied by the vent manufacturer.

The water heaters covered by this manual are approved to be installed using the approved vent terminations shown in this manual. This means that, the installer must use the adapter listed in Tables 9 and 10 and a short piece of PVC pipe to complete the end of the vent system with an approved termination. In Canada, the PVC pipe length must be listed to ULC636.



Table 12. HeatFab Saf-T Vent AL29-4C® Vent System Parts							
Dia.	Flue Outlet Adapter	*Straight Pipe (3' Section)	45° Elbow	Equivalent Linear Length, 45° Elbow	90° Elbow	Equivalent Linear Length, 90° Elbow	Adapter to PVC
3"	9301 PVC	9307	9311	5 feet	9314	10 feet	9353CPVC
4"	9401 PVC	9407	9411	5 feet	9414	10 feet	9454CPVC
6"	9601 PVC	9607	9611	5 feet	9614	10 feet	9656CPVC

\*Consult vent manufacturer's catalog for other available lengths.

Table 13. Duravent FasNSeal AL29-4C® Vent System Parts							
Dia.	Flue Outlet Adapter	*Straight Pipe (3' Section)	45° Elbow	Equivalent Linear Length, 45° Elbow	90° Elbow	Equivalent Linear Length, 90° Elbow	Adapter to PVC
3"	810005378	FSVL3603	FSELB4503	5 feet	FSELB9003	10 feet	810009530
4"	810005545	FSVL3604	FSELB4504	5 feet	FSELB9004	10 feet	810009529
6"	810005225	FSVL3606	FSELB4506	5 feet	FSELB9006	10 feet	810005572

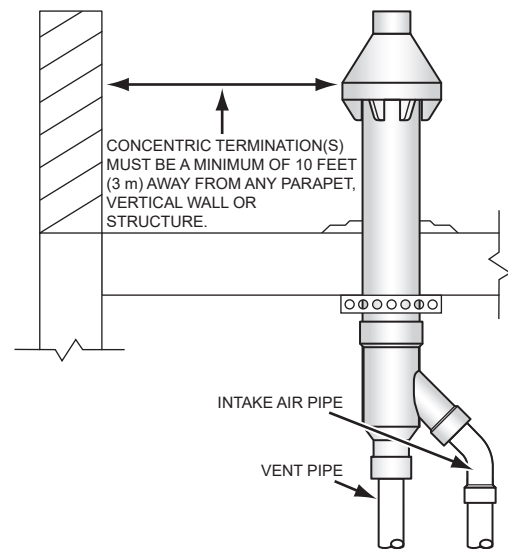
\*Consult vent manufacturer's catalog for other available lengths.

**CONCENTRIC TERMINATION INSTALLATION PREPARATION**

- Concentric terminations must be ordered separately.
  - All 250 gallon models must use the four-inch concentric termination; Part Number: 100111100 for both three-inch and four-inch vent diameters or the two-inch terminal (100153586) for two-inch diameter pipe.
  - All 220 gallon models must use the six-inch concentric termination for both four-inch and six-inch vent diameters: Part number 100113124.

Contact your local distributor or call the parts department phone number on the back cover of this manual to order concentric terminations.
- Determine the location for the termination.
 

**Note:** Roof termination is preferred since it is less susceptible to damage, has reduced chances to intake contaminants and vent vapors are less visible.
- When installing a concentric termination vertically through the roof; ensure that all exterior vertical clearance requirements for the concentric termination, shown in **Figure 32** (page 41) are being maintained. These clearances and those cited by local and national codes must be maintained.
- When installing a concentric termination vertically through a flat roof, the termination's vent cap must be a minimum of 10 feet (3 m) away from any parapet, vertical wall or structure as shown in **Figure 30**.



**Figure 30. Concentric Termination - Flat Roof Clearance**

**Note:** If this required 10 foot (3 m) distance to a parapet, vertical wall or structure cannot be maintained, standard terminations must be used. See **Vertical Termination Installation** (page 36).

- When installing a concentric termination through a sidewall; ensure that all exterior sidewall clearance requirements for the termination, shown in **Figure 55** (page 48), are being maintained. These clearances and those cited by local and national codes must be maintained.
- When installing multiple concentric terminations vertically through a roof or horizontally through a sidewall ensure the required clearances between terminations and groupings of multiple terminations are maintained. See **Multiple Concentric Termination Clearances** (page 42) for more information.
- Cut a 5 inch (13 cm) diameter hole for the four-inch concentric terminal, a three-inch hole for the two-inch terminal, or a seven-inch diameter hole for six-inch concentric terminations where the termination will pass through the wall or roof.
 

**Note:** Beware of concealed wiring and piping when cutting through the wall or roof.

When installing multiple concentric terminations vertically through the roof in the same location, the termination caps for all concentric terminations must be at the same height measured from ground. See (page 43).
- Determine if the concentric termination will need to be shortened to accommodate required clearances or to ensure all vent caps are at the same height when installing multiple terminations vertically through the roof in the same location.
  - See **Figure 31** (page 41) for the minimum lengths allowed for the concentric termination.

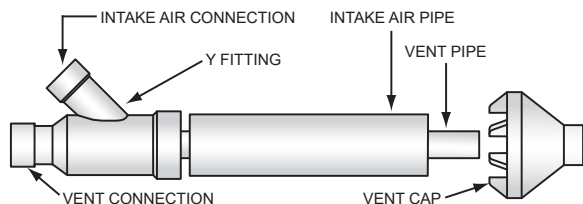
**Note:** When shortening the length of the termination, carefully measure and cut the larger (intake air) pipe first. Cut the same amount of pipe from the smaller (vent) pipe.

**Note:** Lengthening of the Concentric Vent Termination is not permitted.
- Proceed to **Concentric Termination Installation**.



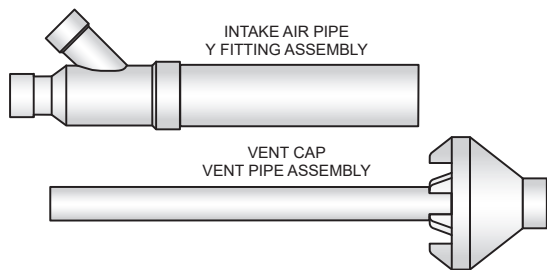
### CONCENTRIC TERMINATION INSTALLATION

Assemble and install the concentric termination. Refer to **Figure 31**, **Figure 32** and **Figure 33** for these instructions:



VENT PIPE MAY BE SHORTENED  
MINIMUM ALLOWABLE LENGTH 25 INCHES (64 cm)

INTAKE AIR PIPE MAY BE SHORTENED  
MINIMUM ALLOWABLE LENGTH 12 INCHES (30 cm)



**Figure 31. Concentric Termination Kit**

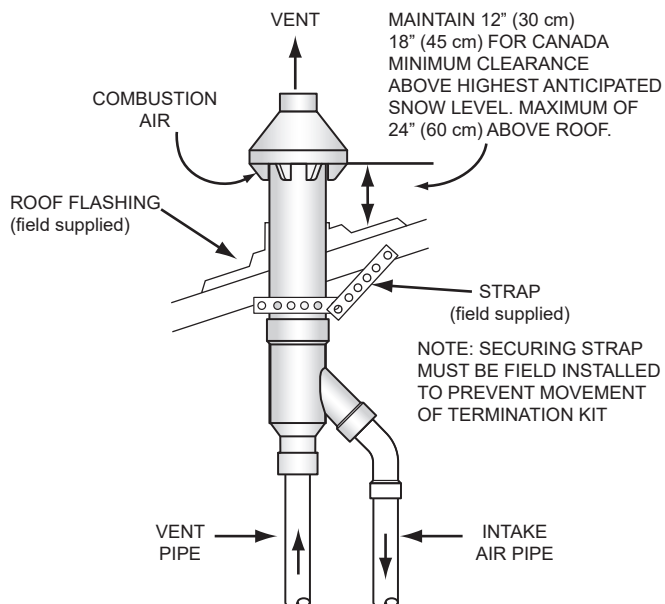
1. Cement the Y fitting to the larger diameter intake air pipe.
2. Slide the intake air pipe and Y fitting assembly from inside the building through the hole cut for the termination in the roof or sidewall. Ensure no foreign materials such as insulation accumulate inside the assembly.
3. Secure the intake air Y fitting assembly using field-supplied metal strapping or equivalent support materials.
4. On installations installed through the roof, slide a field-supplied plumbing boot or roof flashing over the intake air Y-fitting assembly and secure it to the roof.
5. Seal around the plumbing boot or roof flashing.
6. Cement the vent cap onto the vent pipe. Alternately a field-supplied stainless steel screw may be used to secure the two components together when field disassembly is desired for cleaning. A pilot hole must be drilled for the screw to prevent damage/cracking of the vent cap and/or vent pipe.
7. Install the vent cap/vent pipe assembly into the intake air Y fitting assembly. Ensure the small diameter vent pipe is cemented and bottomed in the Y fitting.
8. Use the appropriate method for connecting intake air and vent piping to the termination as follows:
  - For two-inch installations, connect the pipe directly to the two-inch termination. For three-inch installations connect the pipe directly to the three-inch termination. Do not mix different pipe and termination sizes.

- For four-inch pipe installations - connect the piping to the concentric termination using field-supplied 4" x 3" reducer couplings and short sections of three-inch pipe (18 inches or less).
- For six-inch pipe installations, connect the piping to the concentric termination using field-supplied 6" x 4" reducer couplings as needed.

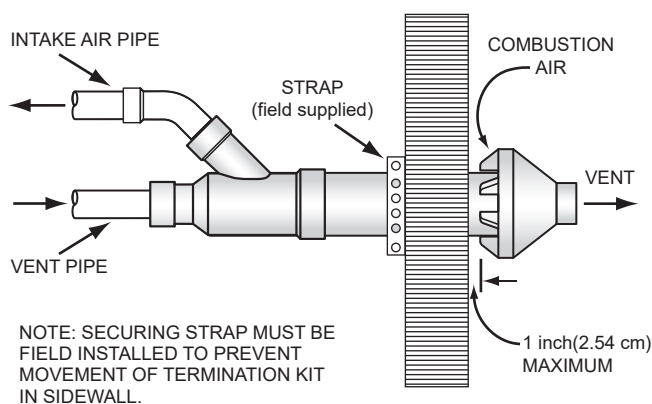
Do not exceed the maximum equivalent vent length listed in **Table 7** and **Table 8** (page 33).

Cement all fittings and pipe in place.

9. Return to **Direct Vent Installation** (page 34) to complete the installation of the intake air and vent piping between the concentric termination and the water heater.



**Figure 32. Concentric Termination - Vertical Installation**



**Figure 33. Concentric Termination - Side-Wall Installation**



**Multiple Concentric Termination Clearances**

When installing multiple concentric terminations vertically through a roof or horizontally through a sidewall ensure the required clearances (separation) between terminations are maintained. Ensure multiple terminations are arranged or grouped as required.

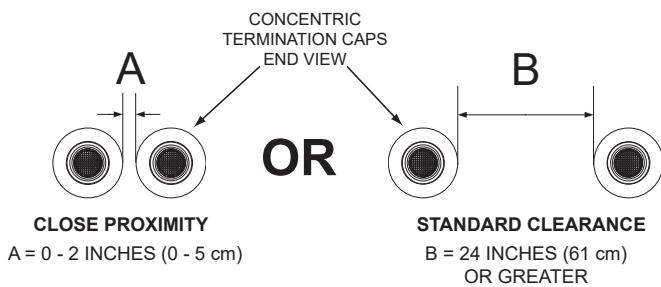
**Note:** These clearances must be maintained to prevent the recirculation of vent (exhaust) gases to the intake air. Clearances are measured between the edges of the concentric termination caps.

When installing multiple concentric terminations through a roof or through a sidewall the clearances shown in **Figure 34** must be maintained.

See **Multiple Concentric Termination Arrangements** (page 43).

**Close Proximity & Standard Clearance**

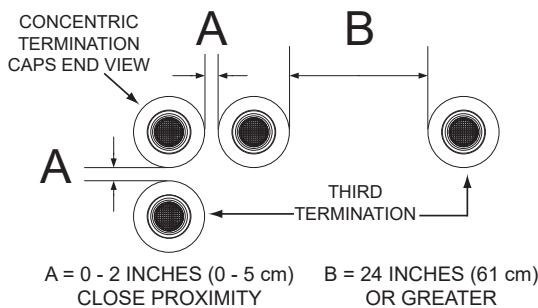
1. The clearance between multiple termination caps must be zero inches (touching) to a maximum of two inches (5 cm), dimension A - **Figure 34**, when installing concentric terminations in close proximity. See **Figure 39** (page 43).
2. The clearance between multiple termination caps must be increased to a minimum of 24 inches (61 cm), dimension B - **Figure 34**, when installation in close proximity (above) is not possible. This is the standard clearance.



**Figure 34. Two Concentric Terminations**  
- Through a Roof or Sidewall

**Three Concentric Terminations**

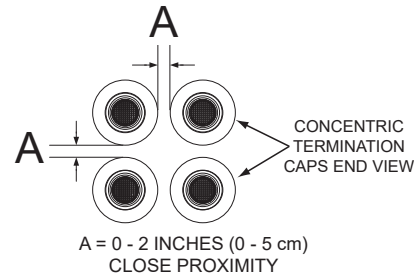
1. When installing three concentric terminations through a roof or through a sidewall the third termination may be installed in close proximity as indicated by dimension A in **Figure 35**.
2. If close proximity installation of the third termination is not possible the third termination may be installed as indicated by dimension B in **Figure 35**.



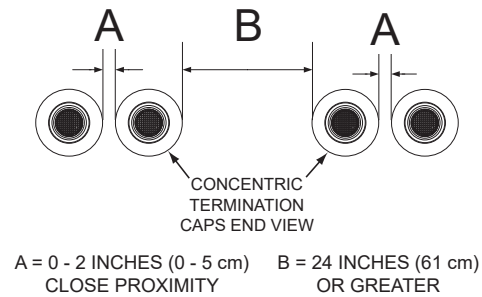
**Figure 35. Three Concentric Terminations**  
-Through a Roof or Sidewall

**Four Concentric Terminations**

1. When installing four concentric terminations through a roof or through a sidewall in close proximity they may be arranged into stacked rows of two as shown in **Figure 36** (page 42) or lateral rows of two as shown in **Figure 37** (page 42).
2. Four is the maximum number of concentric terminations that may be installed in a group where all terminations are in close proximity as shown in **Figure 36**.



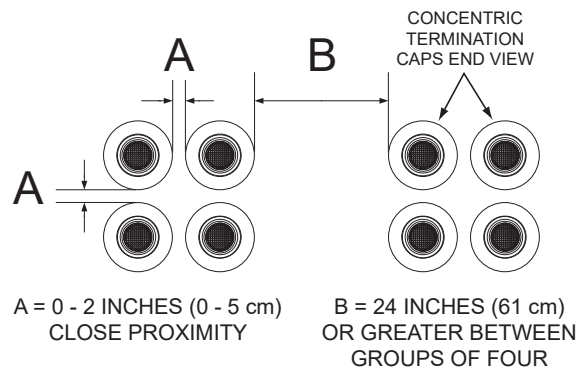
**Figure 36. Four Concentric Terminations**  
- Through a Roof or Sidewall



**Figure 37. Four Concentric Terminations**  
- Through a Roof or Sidewall

**Groups Of Terminations**

1. When installing multiple groups of concentric terminations through a roof or through a sidewall in close proximity, they can be installed into stacked groups of four as shown in **Figure 38**. Lateral groups of four as shown in **Figure 37** may be a more convenient installation arrangement for multiple groups depending on available space.



**Figure 38. Eight Concentric Terminations**  
- Through a Roof or Sidewall



**Multiple Concentric Termination Arrangements**

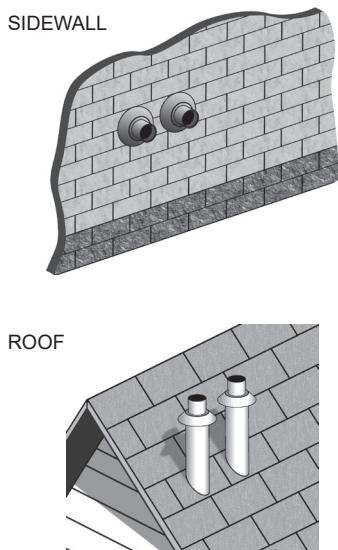
The illustrations on this page show some of the installation arrangements for multiple concentric terminations that are allowed.

See **Multiple Concentric Termination Clearances** (page 42) for detailed information on clearances and additional arrangement options.

**Note:** When multiple concentric terminations are installed through a roof in the same location all termination caps must be at the same height measured from the ground.

**Two Concentric Terminations**

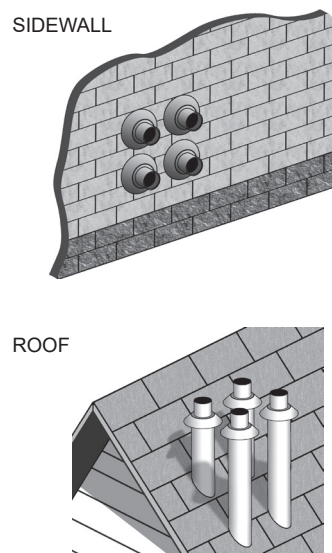
Two concentric terminations may be installed in close proximity as shown in **Figure 39** or with standard clearances when this arrangement is not possible. See **Figure 34** (page 42) for detailed information on clearances. See **Figure 35** (page 42) when installing three concentric terminations.



**Figure 39. Two Concentric Terminations (Side-Wall And Roof)**

**Four Concentric Terminations**

Four concentric terminations may be installed in close proximity as shown in **Figure 40**. See **Figure 36** (page 42) and **Figure 37** (page 42) for detailed information on clearances and additional arrangement options.

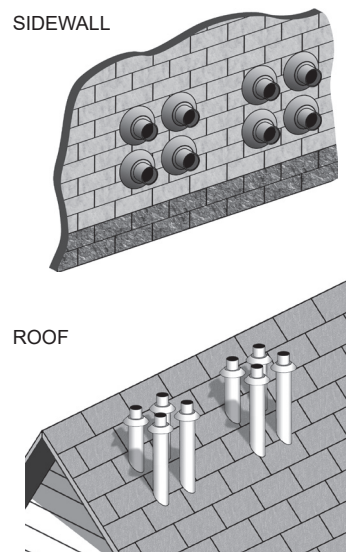


**Figure 40. Four Concentric Terminations (Side-Wall and Roof)**

**Eight Concentric Terminations**

Eight concentric terminations may be installed in two stacked groups of four, in close proximity, as shown in **Figure 41**. See **Figure 38** (page 42) for detailed information on clearances.

Lateral groups of four as shown in **Figure 37** (page 42) may be a more convenient installation arrangement for multiple groups depending on available space.



**Figure 41. Eight Concentric Terminations (Side-Wall and Roof)**



### LOW-PROFILE VENT TERMINATION INSTALLATION

This water heater is certified for sidewall direct venting with IPEX System 636 Low Profile Vent Kit. Follow instructions below for proper installations.

1. All termination kits must be located and installed in accordance with local building code and **CSA B149.1 Natural Gas and Propane Installation Code**.
2. Once the proper location has been determined, cut two holes in the wall large enough to accommodate the pipe. See the **Table 14** (page 44) for pipe diameters and distance between hole centers.
3. Slide both the intake and exhaust pipes through the holes. Solvent cement both pipes to the base of the vent termination kit, follow the solvent cementing procedures outlined in the **IPEX System 636 Installation Guide**, which is available on the web [www.ipexinc.com](http://www.ipexinc.com).
4. To fasten the base to the wall, use the supplied screws and anchors. A 3/16" (5 mm) hole, that is 1-3/16" (30 mm) deep, will need to be drilled for the anchors. Locate the anchor hole using the base as a template.
5. Screw the cap to the base using the supplied screws.
6. Once the vent termination and pipes are secured, the wall penetrations will need to be sealed from the interior using a PVC-compatible sealant material.
7. All vent pipes and air inlets must terminate at the same height to avoid the possibility of severe personal injury, death, or substantial property damage.
8. Operate the heater through one heat cycle to ensure combustion-air and vent pipes are properly connected to the concentric vent termination.

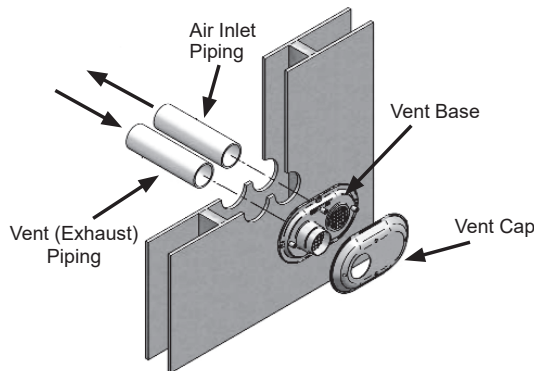


Figure 42. Inlet and Vent Flow in Low-Profile Vent Installation

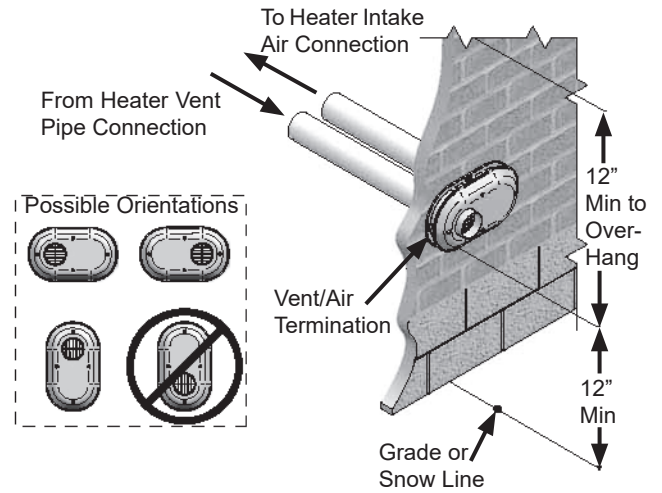


Figure 43. Low-Profile Vent Clearances

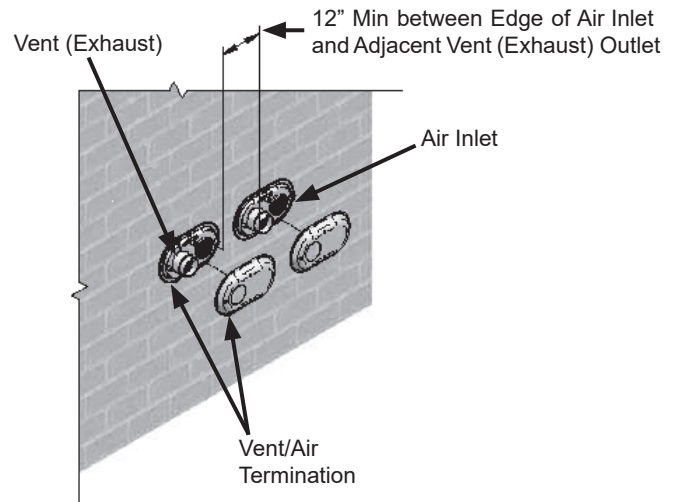


Figure 44. Multiple Low-Profile Vent Clearance

Table 14. Low Profile Termination Kits - Dimensions				
Kit Number	IPEX Part Number	Description	Pipe Outside Diameter	Hole Spacing (Center to Center)
100187903	196984	2" Flush Mount Vent Kit	2.375"	5.63"
100187887	196985	3" Flush Mount Vent Kit	3.5"	5.63"
100187888	196986	4" Flush Mount Vent Kit	4.5"	5.63"
100187889	196080	6" Flush Mount Vent Kit	6.61"	7.63"

Table 15. Contents of Low Profile Termination Kit	
Qty	Item Description
1	Base (two holes)
1	Cap (one hole)
8	Stainless Steel Screws
4	Plastic Anchors



VENTING ARRANGEMENTS

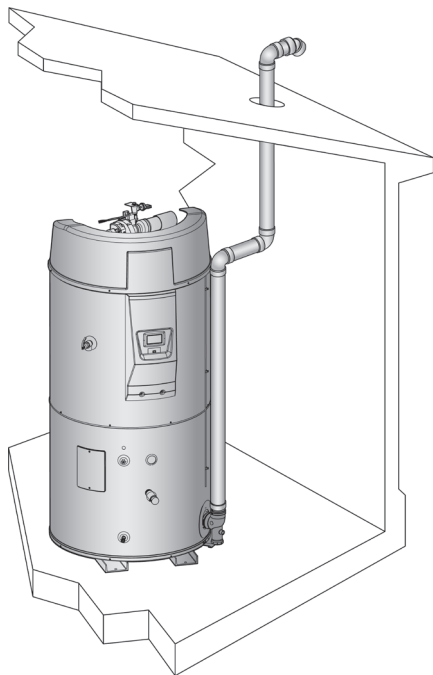


Figure 45. Power Vent Vertical

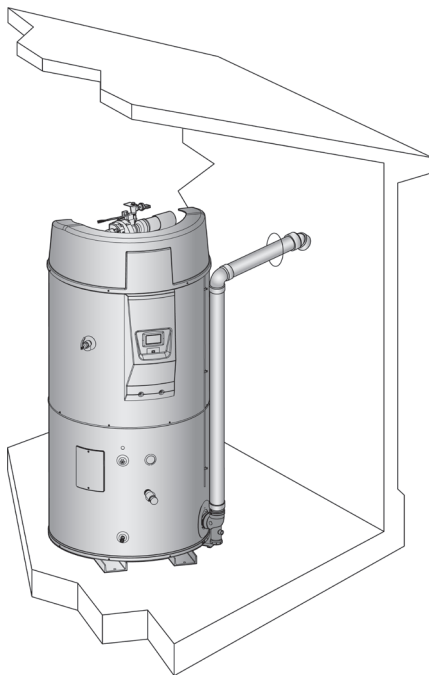


Figure 46. Power Vent Horizontal

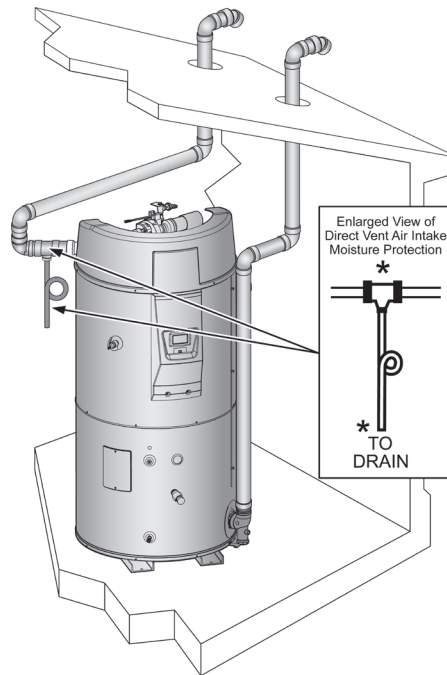


Figure 47. Direct Vent Vertical

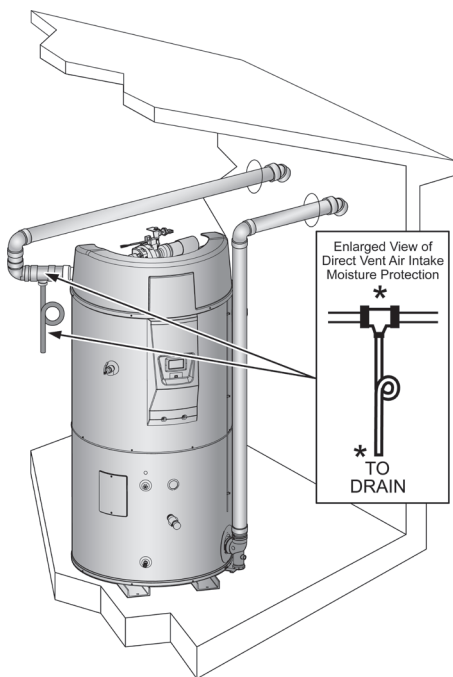


Figure 48. Direct Vent Horizontal

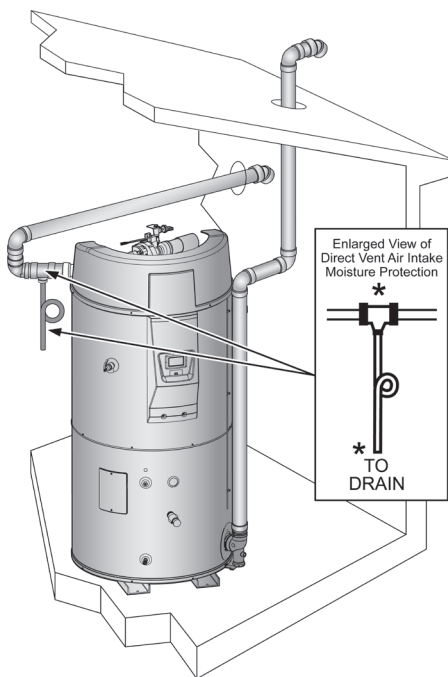


Figure 49. Direct Vent Vertical Vent Horizontal Intake

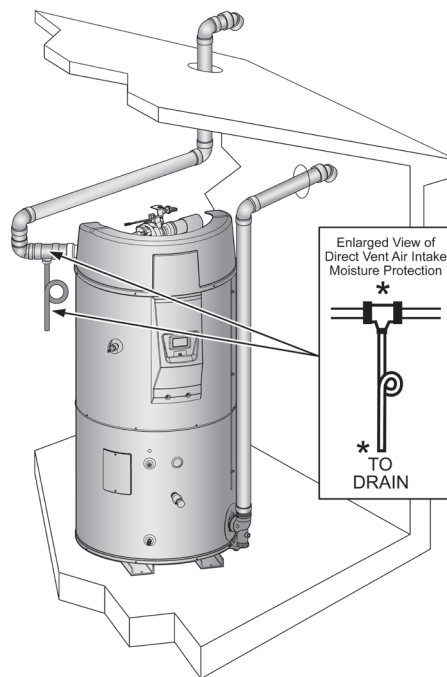


Figure 50. Direct Vent Horizontal Vent Vertical Intake

\*Direct Vent combustion air intake drains are required in certain situations. See *Direct Vent Air Intake Moisture Protection* (page 35).



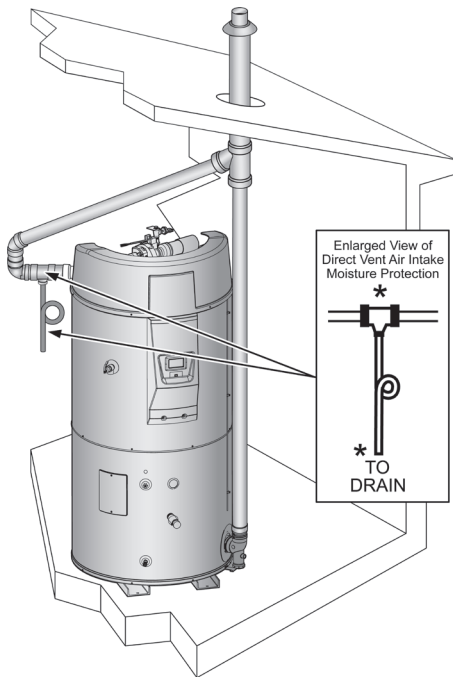


Figure 51. Direct Vent Vertical Concentric

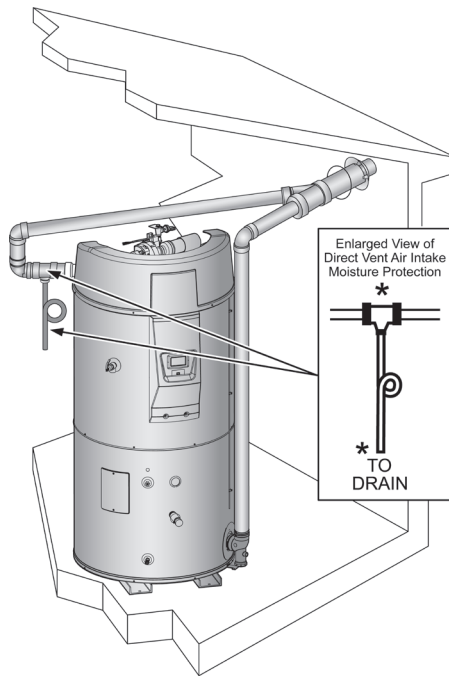


Figure 52. Direct Vent Horizontal Concentric

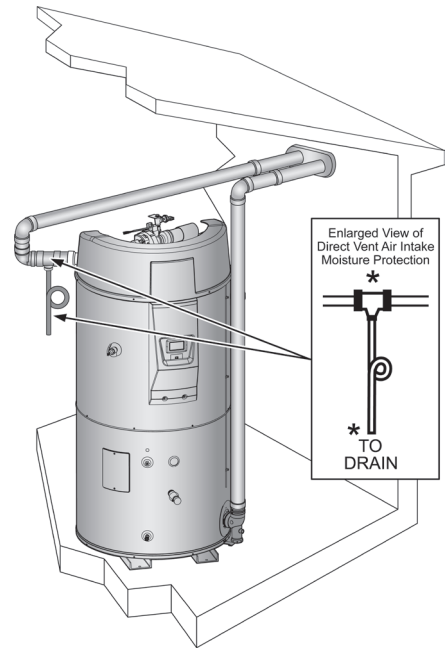
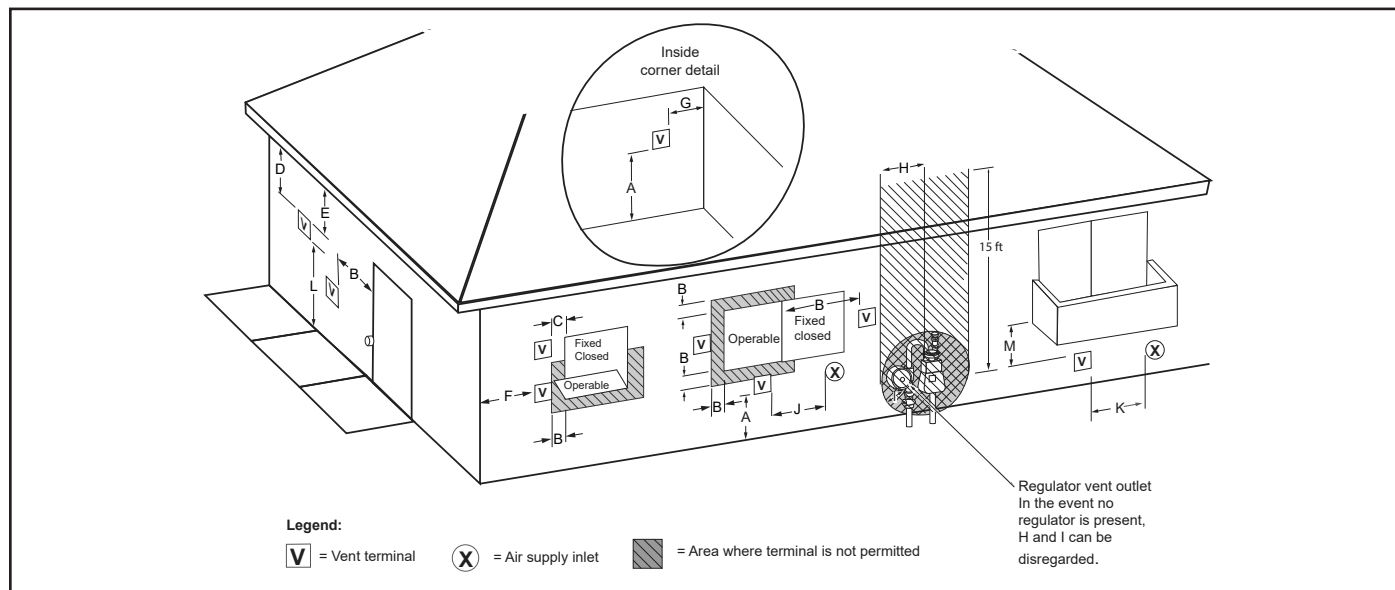


Figure 53. Direct Vent Horizontal Low-Profile

\*Direct Vent combustion air intake drains are required in certain situations. See *Direct Vent Air Intake Moisture Protection* (page 35).



**TERMINATION CLEARANCES SIDEWALL POWER VENT**



**Figure 54. Power Vent Using Room Air**

Termination Clearances for Sidewall Power Vent			
	Type of Clearance	Canadian Installations <sup>1</sup>	US Installations <sup>2</sup>
A	Clearance above grade, veranda, porch, deck or balcony	12 inches (30 cm)	12 inches (30 cm)
B	Clearance to window or door that may be opened	<ul style="list-style-type: none"> <li>6 in (15 cm) for appliances ≤ 10,000 Btuh (3 kW)</li> <li>12 in (30 cm) for appliances &gt; 10,000 Btuh (3 kW) and ≤ 100,000 Btuh (30 kW),</li> <li>36 in (91 cm) for appliances &gt; 100,000 Btuh (30 kW)</li> </ul>	<ul style="list-style-type: none"> <li>6 in (15 cm) for appliances ≤ 10,000 Btuh (3 kW)</li> <li>9 in (23 cm) for appliances &gt; 10,000 Btuh (3 kW) and ≤ 50,000 Btuh (15 kW)</li> <li>12 in (30 cm) for appliances &gt; 50,000 Btuh (15 kW)</li> </ul>
C	Clearance to permanently closed window	12 inches (30 cm)*	12 inches (30 cm)*
D	Vertical clearance to ventilated soffit located above the terminal within a horizontal distance of 2 feet (61 cm) from the center line of the terminal	12 inches (30 cm)*	12 inches (30 cm)*
E	Clearance to unventilated soffit	12 inches (30 cm)*	12 inches (30 cm)*
F	Clearance to outside corner	2 feet (60 cm)*	2 feet (60 cm)*
G	Clearance to inside corner	18 inches (45 cm)*	18 inches (45 cm)*

Termination Clearances for Sidewall Power Vent			
	Type of Clearance	Canadian Installations <sup>1</sup>	US Installations <sup>2</sup>
H	Clearance to each side of center line extended above meter/regulator assembly	3 ft (91 cm) within a height of 15 ft (4.6 m)	Clearance in accordance with local installation codes and the requirements of the gas supplier
I	Clearance to service regulator vent outlet	3 ft (91 cm)	Clearance in accordance with local installation codes and the requirements of the gas supplier
J	Clearance to a non mechanical air supply inlet into building or combustion air inlet to any other appliance	<ul style="list-style-type: none"> <li>6 in (15 cm) for appliances ≤ 10,000 Btuh (3 kW)</li> <li>12 in (30 cm) for appliances &gt; 10,000 Btuh (3 kW) and ≤ 100,000 Btuh (30 kW)</li> <li>36 in (91 cm) for appliances &gt; 100,000 Btuh (30 kW)</li> </ul>	<ul style="list-style-type: none"> <li>6 in (15 cm) for appliances ≤ 10,000 Btuh (3 kW)</li> <li>9 in (23 cm) for appliances &gt; 10,000 Btuh (3 kW) and ≤ 50,000 Btuh (15 kW)</li> <li>12 in (30 cm) for appliances &gt; 50,000 Btuh (15 kW)</li> </ul>
K	Clearance to a mechanical air supply inlet	6 feet (1.83 m)	3 feet (91 cm) above if within 10 feet (3 m) horizontally
L	Clearance above paved sidewalk or paved driveway located on public property	7 feet (2.13 m)†	7 ft (2.13 m) for mechanical draft systems (Category I appliances); vents for Category II and IV appliances cannot be located above public walkways or other areas where condensate or vapor can cause a nuisance or hazard
M	Clearance under veranda, porch, deck, or balcony	12 inches (30 cm) ‡	12 inches (30 cm) ‡

1. In accordance with the current CSA B149.1, *Natural Gas and Propane Installation Code*.

2. In accordance with the current ANSI Z223.1/NFPA 54, *National Fuel Gas Code*.

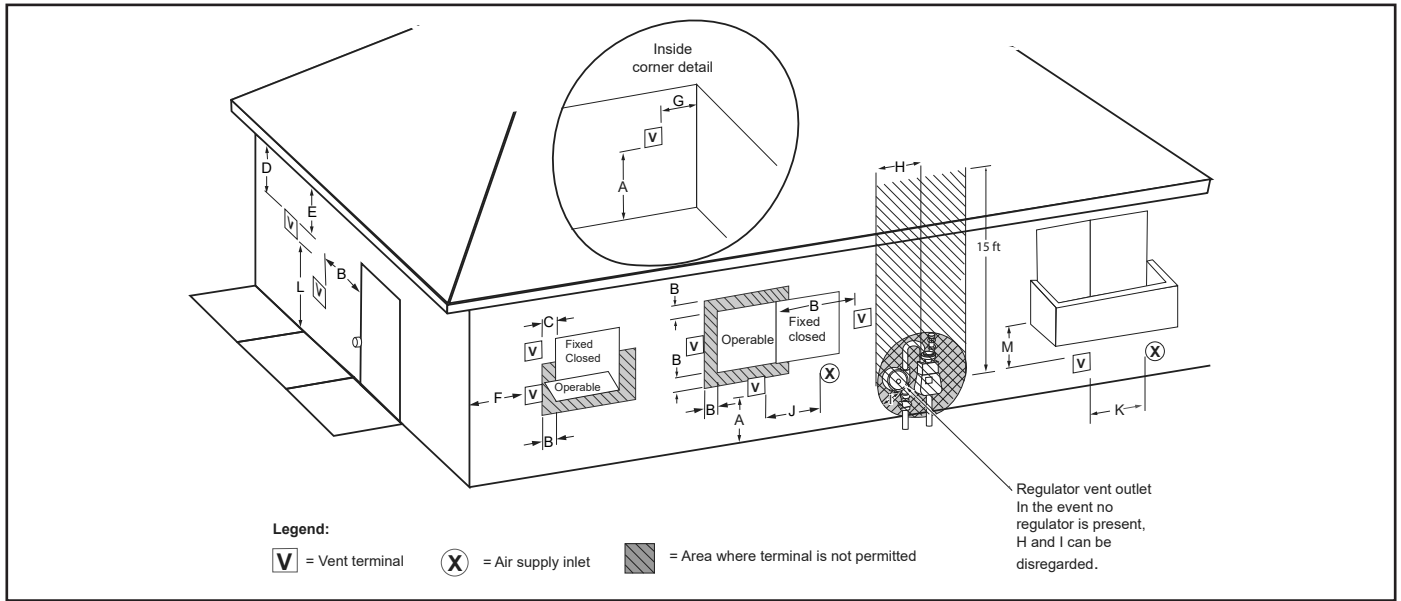
† A vent shall not terminate directly above a sidewalk or paved driveway that is located between two single family dwellings and serves both dwellings, where it can cause hazardous frost or ice accumulations on adjacent property surfaces.

‡ Permitted only if veranda, porch, deck, or balcony is fully open on a minimum of two sides beneath the floor.

\* Clearance in accordance with local installation codes and the requirements of the gas supplier and the manufacturer's installation instructions



**TERMINATION CLEARANCES SIDEWALL DIRECT VENT**



**Figure 55. Direct Vent Using Outside Air**

Termination Clearances for Sidewall Direct Vent			
	Type of Clearance	Canadian Installations <sup>1</sup>	US Installations <sup>2</sup>
A	Clearance above grade, veranda, porch, deck or balcony	12 inches (30 cm)	12 inches (30 cm)
B	Clearance to window or door that may be opened	<ul style="list-style-type: none"> <li>6 in (15 cm) for appliances ≤ 10,000 Btuh (3 kW)</li> <li>12 in (30 cm) for appliances &gt; 10,000 Btuh (3 kW) and ≤ 100,000 Btuh (30 kW),</li> <li>36 in (91 cm) for appliances &gt; 100,000 Btuh (30 kW)</li> </ul>	<ul style="list-style-type: none"> <li>4 feet (1.2 m) below or to side of opening;</li> <li>1 foot (30 cm) above opening</li> </ul>
C	Clearance to permanently closed window	6 inches (15 cm)*	6 inches (15 cm)*
D	Vertical clearance to ventilated soffit located above the terminal within a horizontal distance of 2 feet (61 cm) from the center line of the terminal	12 inches (30 cm)	12 inches (30 cm)
E	Clearance to unventilated soffit	12 inches (30 cm)	12 inches (30 cm)
F	Clearance to outside corner	2 feet (60 cm)*	2 feet (60 cm)*
G	Clearance to inside corner	18 inches (45 cm)*	18 inches (45 cm)*

Termination Clearances for Sidewall Direct Vent			
	Type of Clearance	Canadian Installations <sup>1</sup>	US Installations <sup>2</sup>
H	Clearance to each side of center line extended above meter/regulator assembly	3 ft (91 cm) within a height 15 ft (4.6 m)	Clearance in accordance with local installation codes and the requirements of the gas supplier
I	Clearance to service regulator vent outlet	3 ft (1.83 m)	Clearance in accordance with local installation codes and the requirements of the gas supplier
J	Clearance to a non mechanical air supply inlet into building or combustion air inlet to any other appliance	<ul style="list-style-type: none"> <li>6 in (15 cm) for appliances ≤ 10,000 Btuh (3 kW)</li> <li>12 in (30 cm) for appliances &gt; 10,000 Btuh (3 kW) and ≤ 100,000 Btuh (30 kW)</li> <li>36 in (91 cm) for appliances &gt; 100,000 Btuh (30 kW)</li> </ul>	<ul style="list-style-type: none"> <li>4 feet (1.2 m) below or to side of opening;</li> <li>1 foot (30 cm) above opening.</li> </ul>
K	Clearance to a mechanical air supply inlet	6 feet (1.83 m)	3 feet (91 cm) above if within 10 feet (3 m) horizontally
L	Clearance above paved sidewalk or paved driveway located on public property	7 feet (2.13 m)†	7 feet (2.13 m)
M	Clearance under veranda, porch, deck, or balcony	12 inches (30 cm) ‡	12 inches (30 cm) ‡

1. In accordance with the current CSA B149.1, *Natural Gas and Propane Installation Code*.

† A vent shall not terminate directly above a sidewalk or paved driveway that is located between two single family dwellings and serves both dwellings.

Where it can cause hazardous frost or ice accumulations on adjacent property surfaces.

‡ Permitted only if veranda, porch, deck, or balcony is fully open on a minimum of two sides beneath the floor.

\* Clearance in accordance with local installation codes and the requirements of the gas supplier and the manufacturer's installation instructions.



# WATER HEATER INSTALLATION

## CONDENSATE DRAIN INSTALLATION

Installation must conform with these instructions and local building codes.

Field-supplied materials required for installation include:

- Approved PVC cement and PVC primer.
- 1/2 inch PVC pipe - minimum length to equal the distance between the water heater and a suitable building drain.
- 1/2 inch PVC fittings (elbows, couplings, and adapters) necessary to install a condensate drain line between the Exhaust/Condensate Elbow Assembly and a suitable building drain.
- Floor mounted standoffs to brace the drain line.

### Installation Notes

1. The condensate drains from the water heater's covered by this instruction have pH levels between 4.3 and 5.0. Install a commercially available neutralizing kit if required by local codes. Lower PH levels are acidic. Do not connect a metal condensate drain line, such as copper pipe, to the water heater for this reason.
2. The field installed condensate drain line must not be less than 1/2 inch PVC in size.

3. *The exhaust elbow has a built in condensate trap. Do not install an additional trap in the condensate drain piping. Do not* remove, modify or alter the factory condensate trap.

### Installation Instructions

1. Ensure the water heater's Enable/Disable switch is in the "Disable" position.
2. Install a 1/2 inch PVC condensate drain line between condensate drain connection on the Exhaust/Condensate Elbow and a suitable building drain. The condensate line must slope to an open drain, see **Figure 56**.
3. Terminate the condensate drain piping with an elbow above the drain. Ensure that any discharge will exit the condensate drain line no more than 6 inches (15.2 cm) above a suitable building drain, or external to the building, see **Figure 56**.

**Note:** In cold climates it is recommended the condensate drain be terminated at a suitable drain inside the building.

4. Ensure the condensate drain line is not elevated above the condensate drain connection on the Exhaust/Condensate Elbow, see **Figure 56**.
5. Brace the condensate drain line with floor-mounted standoffs every three feet.
6. Ensure that the condensate drains freely during start up, see **Start Up** (page 55).
7. Condensate clean out cap must be on and tight when unit is in operation.

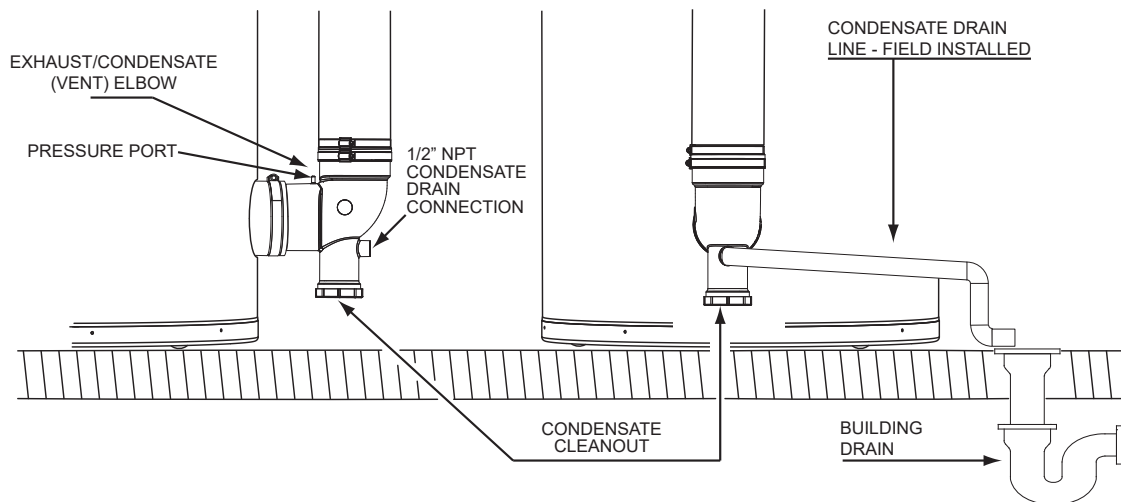


Figure 56. Condensate Drain Installation

### LEAK DETECTION MODULE INSTALLATION

The water heaters covered in this manual have a water leak protection feature that senses the building of water in the vicinity of the appliance, setting off alarm to alert the end user. Please follow installation instructions in included kit.

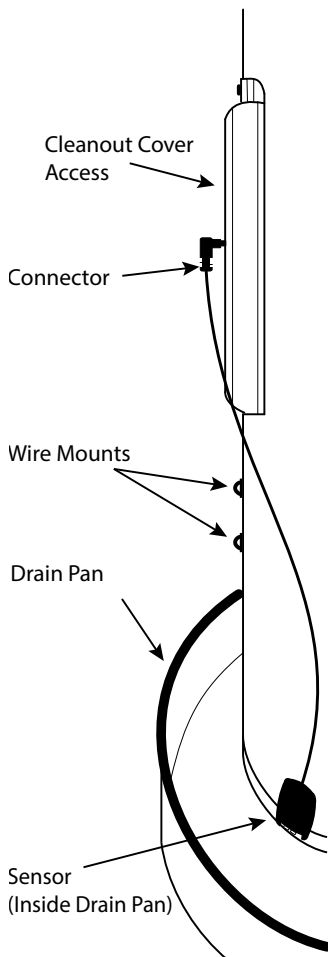



Figure 57. Leak Detection Module Installation

### SUPPLY GAS LINE INSTALLATION

Contact your local gas utility company to ensure that adequate gas service is available and to review applicable installation codes for your area.

Be sure that the gas meter has sufficient capacity to supply the rated gas input of the water heater as well as the requirements of all other gas fired equipment supplied by the meter. If the gas meter is undersized, the gas company will have to install a properly sized gas meter.

<b>⚠ WARNING</b>	
<b>Fire and Explosion Hazard</b>	
	<ul style="list-style-type: none"> <li>• Do not use water heater with any gas other than the gas shown on the rating label.</li> <li>• Excessive gas pressure to gas valve can cause serious injury or death.</li> <li>• Turn off gas lines during installation.</li> <li>• Contact a qualified installer or service agency for installation and service.</li> </ul>

Make sure gas supplied is same type listed on the water heater’s rating label.

The water heaters covered in this manual are not intended for operation at higher than 14.0" W. C. (2.62 kPa) for natural gas and 14.0" W. C. (3.49 kPa) for propane gas supply pressure, see **Table 5** (page 17). The water heaters covered in this manual require supply gas regulators to maintain required supply gas pressure. Exposure to higher gas supply pressure may cause damage to the gas controls which could result in fire or explosion. If overpressure has occurred such as through improper testing of gas lines or malfunction of the supply system the water heater’s gas valve must be checked for safe operation by a Qualified Service Agency.

Ensure supply regulator vent lines and the safety vent valves are protected against blockage. These are components of the gas supply system, not the water heater. Vent blockage may occur during ice storms.

It is important to guard against gas valve fouling from contaminants in the gas ways. Such fouling may cause improper operation, fire or explosion. If copper supply lines are used they must be internally tinned and certified for gas service.

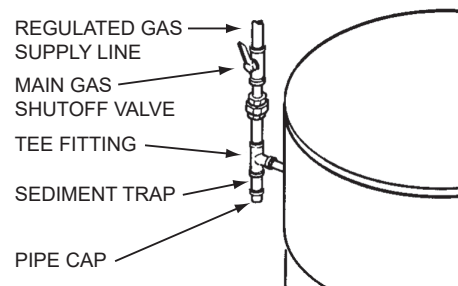


Figure 58. Supply Gas Line Installation

Ensure all gas pipe is clean on the inside before installation. To trap any dirt or foreign material in the gas supply line a sediment trap must be installed as shown in **Figure 58**. The sediment trap must be readily accessible and not subject to freezing conditions. Install in accordance with the recommendations of the local gas utility company.



**Gas Line Sizing**

Depending on the developed equivalent length and/or the number of appliances connected to a common main, the size of supply gas lines may have to be increased.

Size the supply/main gas line(s) in accordance with **Table 16** or **Table 17**. The values given in **Table 16** and **Table 17** are for straight lengths of iron pipe at 0.5" W. C. (125 Pa) pressure drop, which is considered normal for low pressure systems. Note that fittings such as elbows and tees will add to the pipe pressure drop.

Schedule-40 Steel or wrought-iron pipe is the preferred material for the gas line of this water heater. It is imperative to follow the sizing recommendations in the latest version of the **National Fuel Gas Code** if corrugated stainless steel tubing (CSST) is used as the gas line for this water heater.

Table 16. Supply Gas Line Sizing U. S. Units						
Length in Feet	Normal Iron Pipe Sizes (Inches) Input In Thousands Btu/Hr					
	1/2"	3/4"	1"	1 1/4"	1 1/2"	2"
10	175	360	680	1400	2100	3960
20	120	250	485	950	1460	2750
30	97	200	375	770	1180	2200
40	82	170	320	660	990	1900
50	73	151	285	580	900	1680
60	66	138	260	530	810	1520
70	61	125	240	490	750	1400
80	57	118	220	460	690	1300
90	53	110	205	430	650	1220
100	50	103	195	400	620	1150
125	44	93	175	360	550	1020
150	40	84	160	325	500	950
175	37	77	145	300	460	850
200	35	72	135	280	430	800

Table 17. Supply Gas Line Sizing Metric Units						
Length In Meters	Normal Iron Pipe Sizes (Inches) Input in kW					
	1/2"	3/4"	1"	1 1/4"	1 1/2"	2"
3.0	51	105	199	410	615	1160
6.1	35	73	142	278	428	805
9.1	28	59	110	225	346	644
12.2	24	50	94	193	290	556
15.2	21	44	83	170	264	492
18.3	19	40	76	155	237	445
21.3	18	37	70	143	220	410
24.4	17	35	64	135	202	381
27.4	16	32	60	126	190	357
30.5	15	30	57	117	182	337
38.1	13	27	51	105	161	299
45.7	12	25	47	95	146	278
53.3	11	23	42	88	135	249
61.0	10	21	40	82	126	234

**Gas Line Connection**

1. The 250 gallon water heaters are shipped from the factory with 3/4 inch supply gas connections. The supply gas line must not be smaller than 3/4 inch. The 220 gallon units are shipped from the factory with a 1 1/2" supply gas connection. The 499.9 KBTU natural gas models require a 1 1/2" minimum supply gas line. All other 220 gallon units require a 1 1/4" minimum supply gas line. Connect the supply gas line to the water heater's gas valve in accordance with all applicable local and national code requirements.

2. Depending on the developed equivalent length and/or the number of appliances connected to a common main, the size of the supply gas line may have to be increased. See **Gas Line Sizing**. If the supply gas line must be resized larger to accommodate increased supply gas line lengths or multiple appliances use reducer couplings and short pipe nipples to increase the supply gas line.

**Note:** Make the transition to the larger supply gas line as close to the supply gas connection as possible.

3. Apply thread sealing compounds (pipe dope/thread-sealer tape) sparingly and only to the male threads of the pipe joints. Do not apply sealing compound to the first two threads. Use pipe dope or thread-sealer tape marked as being resistant to the action of liquid petroleum (LP/propane) gases.

4. Use only a smooth jaw adjustable wrench as a back up on the body of the gas valve when tightening the first pipe nipple into the body of the valve. **Do not** use a standard pipe wrench (Stillson wrench) with metal tooth jaws as this may permanently damage the valve.

5. Use a standard pipe wrench (Stillson wrench) as a back up on the first pipe nipple installed above when connecting other fittings and pipe in the supply gas line to prevent the gas valve on the water heater from twisting during installation.

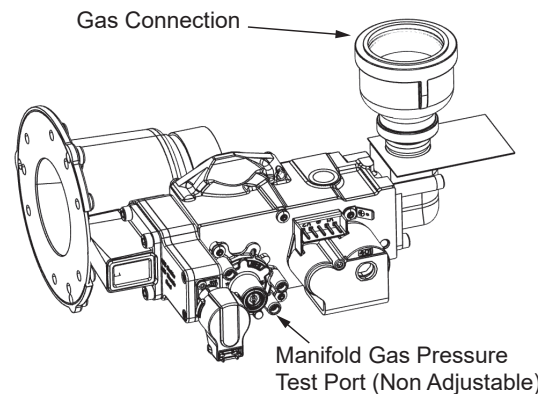
6. To prevent damage, care must be taken not to apply too much torque when connecting the supply gas line to the water heater.

7. Install a sediment trap as shown in **Figure 58** (page 50).

8. Install a Main Gas Shutoff valve in the supply gas line as shown in **Figure 58** (page 50).

**Note:** If overheating occurs or the gas supply fails to shut off, turn off the Main Gas Shutoff valve to the water heater.

9. Ensure gas line is properly supported to prevent damage to gas train.



**Figure 59. 220 Gallon - Supply Gas Line Connection**



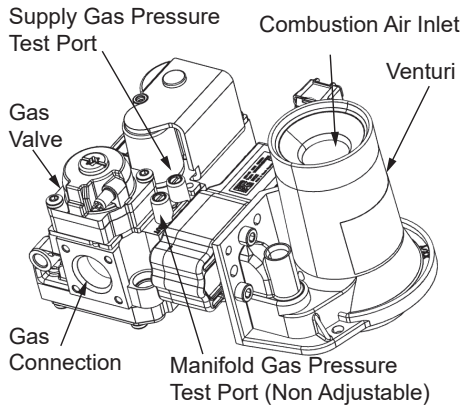


Figure 60. 250 Gallon VK - Supply Gas Line Connection

### GAS LINE LEAK TESTING

Any time work is done on the gas supply system perform a leak test to avoid the possibility of fire or explosion.

<b>WARNING</b>	
<b>Fire and Explosion Hazard</b>	
	<p><b>Gas piping can leak gas from fittings and connections if it is not sealed properly. Gas leaks can cause fires and explosions resulting in severe injury or death.</b></p> <ul style="list-style-type: none"> <li>• Use joint compound or thread sealer tape compatible with the type of gas you are using.</li> <li>• Leak test all gas connections before placing the water heater in operation.</li> <li>• Disconnect gas piping at main gas shutoff valve before leak testing.</li> <li>• Install sediment trap in accordance with <b>NFPA 54</b> or <b>CAN/CSA B149.1</b>.</li> </ul>

1. For test pressures exceeding 1/2 psi (3.45 kPa) disconnect the water heater and its Main Gas Shutoff Valve from the gas supply piping system during testing, see **Figure 58** (page 50). The gas supply line must be capped when disconnected from the water heater.
2. For test pressures of 1/2 psi (3.45 kPa) or less, the water heater need not be disconnected, but must be isolated from the supply gas line by closing the Main Gas Shutoff Valve during testing.
3. Paint all supply gas line joints and connections upstream of the water heater with a with a chloride-free liquid leak detection solution to test for leaks. Bubbles indicate a gas leak. Do not use matches, candles, flame or other sources of ignition for this purpose.
4. Repair any leaks before placing the water heater in operation.

### Purging

Gas line purging is required with new piping or systems.

Purging should be performed per the current edition of **NFPA 54** the **National Fuel Gas Code** or **CAN/CSA B149.1 Natural Gas and Propane Installation Code**.

### ELECTRICAL WIRING

All electrical work must be installed in accordance with the **National Electrical Code, ANSI/NFPA 70** or the **Canadian Electrical Code, CSA C22.1** and local requirements.

When installed, the water heater must be electrically grounded in accordance with local codes or, in the absence of local codes, with the **National Electrical Code, ANSI/NFPA 70** or the **Canadian Electrical Code, CSA C22.1**.

If any of the original wire as supplied with the water heater must be replaced, it must be replaced with 105°C rated wiring or its equivalent, except in the burner housing. In this case 200°C rated wire must be used.

### Dedicated Power Wiring and Breakers

Dedicated power supply wires, neutral wires, ground wiring, and dedicated circuit breakers often prevent electrical line noise and are required when installing the water heater.

**Note:** This water heater should not be connected to an electrical supply with a Ground Fault Circuit Interrupter (GFCI) or Arc Fault Circuit Interrupter (AFCI) with Integral GFCI protection as defined in **NFPA 70, CSA C22.1** and **UL 943**.

### Power Supply Connections

Read the requirements for the **Power Supply** (page 20) before connecting power.

The 120-VAC hot wire from the power supply must connect to the black jumper wire or the "L1" terminal block location in the junction box and the 120-VAC neutral wire must connect to the white jumper wire or the "Neutral" terminal block location in the junction box for correct polarity. See **Figure 61** and **Figure 62**.

Power supply connections must be made as follows:

1. Turn off power at the water heater's enable/disable switch and the breaker that supplies power to the water heater.
2. Remove the junction box cover. See **Figure 4** (page 12) for junction box location.
3. Connect the 120-VAC hot wire from the power supply to the black jumper wire or the terminal block location marked "L1" inside of the junction box located on top of the water heater. If the black jumper wire is used, make the connection inside of the junction box with a properly-sized wire nut. Wrap electrical tape around the wire nut and wire end. See junction box **Figure 61** and **Figure 62** and the wiring diagram **Wiring Diagrams** (page 100).

**Note:** If electrical connection is made directly to terminal block remove black jumper wire before making connection.



- Connect the 120-VAC neutral wire from the power supply to the white jumper wire or the terminal block location marked "Neutral" inside of the junction box located on top of the water heater. If the white jumper wire is used, make the connection inside of the junction box with a properly sized wire nut and wrap electrical tape around the wire nut and wire end. See junction box *Figure 61* and *Figure 62* and the wiring diagram *Wiring Diagrams* (page 100)

**Note:** If electrical connection is made directly to terminal block, remove the white jumper wire before making the connection.

- Connect the ground wire from the power supply to the grounding lug inside the junction box. See junction box *Figure 61* and *Figure 62* and the wiring diagram *Wiring Diagrams* (page 100).

- Replace junction box cover when connections are complete.

**Note:** Do not apply power to the water heater before installation is complete and the water heater is filled with water.

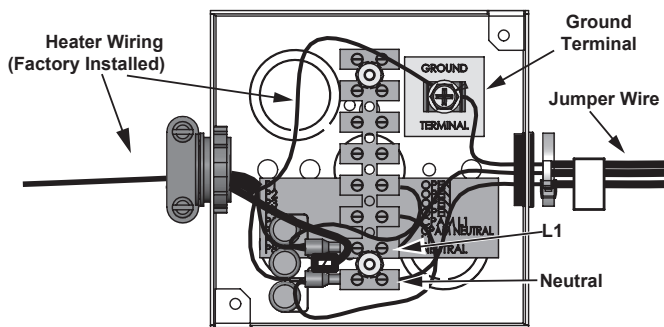


Figure 61. Junction Box (250 Gallon Models)

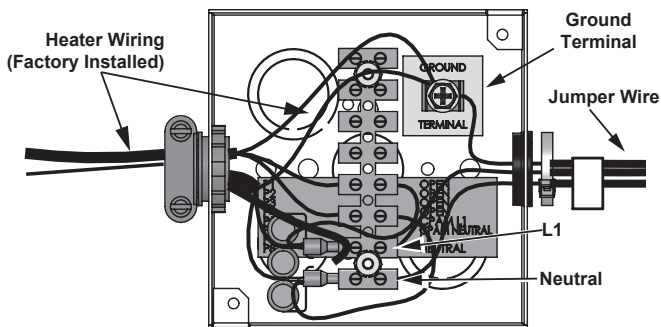


Figure 62. Junction Box (220 Gallon Models)

#### External Enable-Disable Circuit

The water heaters covered in this manual are equipped with an enable/disable circuit for use with field-supplied supervisory controls such as time clocks or Building Management Systems. The enable/disable circuit may be used to disable heating operation during periods when the building is unoccupied or there is no demand for hot water. To use the enable/disable circuit it must first be activated by selecting "use External Enable" from the UIM. Field support wiring is then installed between the water heater's controls and a set of dry contacts (no voltage or load) on the field-supplied external control. See the wiring diagram, *Figure 74* (page 101).

#### Water Line Connections

The water piping installation must conform to these instructions and to all local and national code authority having jurisdiction. Good practice requires that all heavy piping be supported.

Read and observe all requirements in the following sections before installation of the water piping begins:

- Mixing Valves* (page 21).
- Dish-washing Machines* (page 21).
- Temperature-Pressure Relief Valve* (page 15).
- Closed Water Systems* (page 21) and *Thermal Expansion* (page 22).
- For multiple water heater installations see *Piping Diagrams* (page 102).

#### Water Piping Diagrams

This manual provides detailed water piping diagrams for typical methods of application for the water heaters. See *Piping Diagrams* (page 102).

The water heater may be installed with or without a separate storage tank. When used with a separate storage tank, the circulation may be either by gravity or by means of a circulating pump. When a circulating pump is used, it is important to note that the flow rate should be slow so that there will be a minimum of turbulence inside the water heater storage tank.

Adjust flow by throttling a full port ball valve installed in the circulating line on the outlet side of the pump. Never throttle flow on the suction side of a pump. See *Piping Diagrams* (page 102).

**Note:** In addition to the factory-installed Temperature-Pressure Relief valve (T&P valve) on the water heater, each remote storage tank that may be installed and piped to a water heating appliance must also have its own properly sized, rated and approved Temperature-Pressure Relief valve installed.

Call the toll free technical support phone number listed on the service parts list for further assistance in sizing a T&P valve for remote storage tanks.

#### Thermometers (not Supplied)

Thermometers are installed in the water piping system as a means of detecting the temperature of the hot water supply at critical points in the system. Field-supplied thermometers should be obtained and installed. See *Piping Diagrams* (page 102).

**Water (potable) Heating And Space Heating**

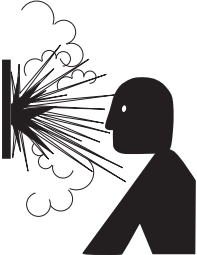
1. All water piping components connected to the water heater that are for space heating applications shall be suitable for use with potable water.
2. Toxic chemicals, such as those used for boiler treatment, must NEVER be introduced into this system.
3. The water heaters covered in this manual may never be connected to any existing heating system or component(s) previously used with non-potable water heating appliance.
4. When the system requires water for space heating that exceed safe temperatures at domestic water fixtures a mixing valve must be installed. See *Mixing Valves* (page 21).


**Note:** Malfunctions caused by the power supply and costs to install power supply filters are not covered under the limited warranty. See Commercial Water Heater Limited Warranty Insert.

5. These water heaters cannot be used in space heating applications only.

**T&P VALVE DISCHARGE PIPE**

This water heater is provided with a properly rated/sized and certified combination temperature - pressure (T&P) relief valve by the manufacturer. See *Temperature-Pressure Relief Valve* (page 22) for information on replacement and other requirements.

<b>⚠ WARNING</b>	
<b>Explosion Hazard</b>	
	<p><b>Normal operation of the water heater can cause it to become sufficiently over-heated and/or over-pressurized that it can explode, resulting in property damage, sever injury, or death.</b></p> <p>To avoid this hazard, you must install a properly-sized temperature-pressure relief valve in opening provided.</p> <ul style="list-style-type: none"> <li>• The temperature-pressure relief valve must comply with <b>ANSI Z21.22-CSA 4.4</b> and <b>ASME</b> code.</li> <li>• Do not plug, block, or cap the discharge line.</li> </ul>

<b>⚠ CAUTION</b>	
<b>Property Damage Hazard</b>	
	<p><b>While the water heater is in routine operation, it can release hot water from the temperature-pressure relief valve discharge pipe in quantities that could cause damage to the surroundings.</b></p> <p>Locate the water heater near an adequate drain and in an area where water from the temperature-pressure relief valve discharge pipe will not result in damage to the area or the lower floors of the structure.</p>

Install a discharge pipe between the T&P valve discharge opening and a suitable floor drain. Do not connect discharge piping directly to the drain. A six inch (15.2 cm) air gap must be provided between the discharge pipe and the drain. To prevent bodily injury, hazard to life, or property damage, the relief valve must be allowed to discharge water in adequate quantities if circumstances demand. If the discharge pipe is not located near an adequate drain or other suitable means, the water flow may cause property damage.

**T&P Valve Discharge Pipe Requirements**

- Shall not be smaller in size than the outlet pipe size of the valve, or have any reducing couplings or other restrictions.
- Shall not be plugged or blocked.
- Shall not be exposed to freezing temperatures.
- Shall be of material listed for hot water distribution.
- Shall be installed so as to allow complete drainage of both the Temperature-Pressure Relief Valve and the discharge pipe.
- Must terminate six inches (15.2 cm) above a floor drain or external to the building. In cold climates, it is recommended that the discharge pipe be terminated at an adequate drain inside the building.
- Shall not have any valve or other obstruction between the relief valve and the drain.



# START UP

## PRIOR TO START UP

---

Installation and start up of this water heater requires abilities and skills equivalent to that of a licensed tradesman in the field involved, see *Qualifications* (page 8).

**DO NOT USE THIS APPLIANCE IF ANY PART HAS BEEN EXPOSED TO FLOODING OR WATER DAMAGE.** Immediately call a qualified service agency to inspect the appliance and to make a determination on what steps should be taken next. If the unit is exposed to the following, do not operate heater until all corrective steps have been made by a qualified service agency.

1. External fire
2. Damage
3. Firing without water

Light the water heater in accordance with the Lighting and Operation Instruction label on the water heater and in this manual *Lighting the Water Heater* (page 58).

The water heaters covered by this manual are equipped with an electronic control system, which automatically sequences the Combustion Blower, pre- and post purging of the combustion chamber, the spark transformer, the gas valve, Main Burner ignition, and flame sensing. The control system will lock out after three unsuccessful ignition attempts. See *Control System Operation* (page 63).

## Start-Up Preparation

---

Before attempting start up, thoroughly study and familiarize yourself with the exact *Sequence Of Operation* (page 83). Ensure the water heater is properly grounded. Flame sensing requires an adequate earth ground. If the water heater is not properly grounded it will cause ignition failure.

Be certain that the water heater is full of water, that air is purged from the gas and water lines and that there are no leaks in the gas and water lines. Ensure all inlet water valves are open.

## Filling The Water Heater

---

Follow these steps to fill the water heater prior to start up.

1. Close the heater drain valve.
2. Open a nearby hot water faucet to permit air in system to escape.
3. Fully open the cold water inlet valve allowing the piping and water heater to fill with water.
4. Close the hot water faucet opened in Step 2 as water starts to flow.

## INITIAL START UP

---

### Required Test Equipment

---

- One U-tube manometer, recommended ranges; 0-14" W.C. (0-3.5 kPa) and 0-35" W.C. (0-8.7 kPa) or pressure gauges.
- One digital manometer can be used in place of U-tube manometers or pressure gauges. Recommended ranges; -14.00 to +14.00" W.C. (0-3.5 kPa) resolution 0.01" W.C. and 0-35" W.C. (0-8.7 kPa) resolution 0.10" W.C.

**Note:** All test equipment must be acclimated to ambient temperature before calibration and use.

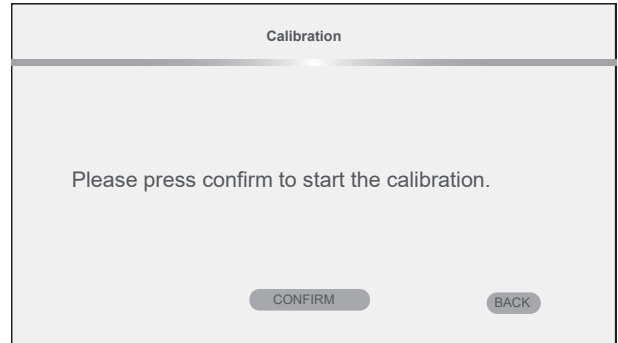
**Gas Calibration**

At the initial start up of the heater, an initial calibration routine must run. This initial calibration may take up to 15 minutes.

After calibration, the continuous monitoring function becomes active. This function can trigger a new calibration in case a gas quality change is detected or there is a manual intervention by the qualified service technician.

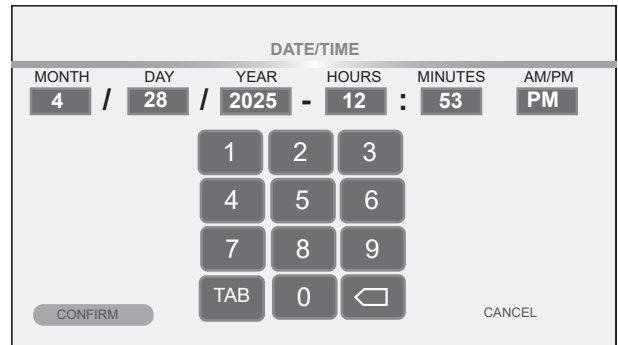
During this initialization, any burner heat demand will be blocked.

1. Click 'Confirm' to proceed with the calibration.



2. Set the date and time, then click Confirm to continue with the calibration.

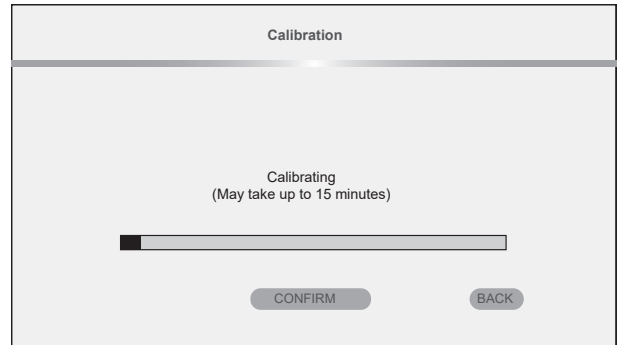
Calibration will begin and progress screen will display.



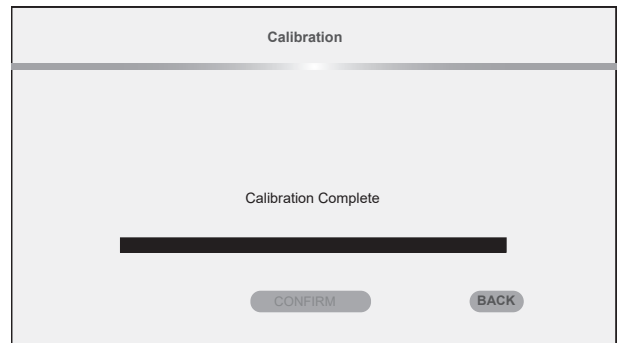
3. The calibration process will begin and show its progress on the screen.

**Note:** Calibration may take up to 15 minutes.

When the calibration is complete, you will be returned to the home screen



4. When the calibration is complete, click BACK to return to the home screen.



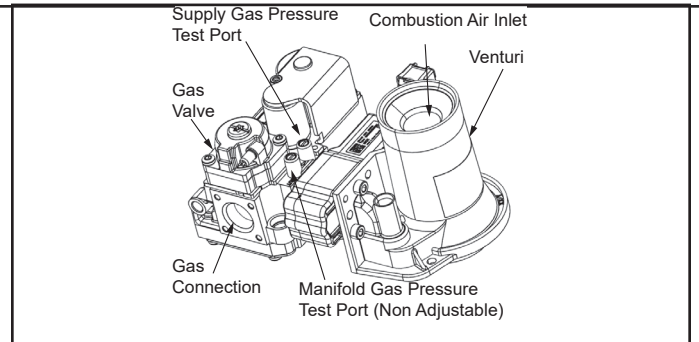
**Start-Up Procedure**

1. Using the control system menus, change the Operating Setpoint to the lowest temperature setting. See **Operating Set-Point and Differential Adjustment** (page 65).
2. Turn the water heater's Enable/Disable switch to the "Disabled" position.
3. Close the Main Gas Shut Off Valve, see **Figure 58** (page 50).
4. Wait five (5) minutes for any residual gas to clear.
5. Connect the manometer to the supply gas pressure port on the gas valve. See **Figure 62** (page 53).

**Note:** The manometer tubing should be purged before taking any readings.

On the water heaters covered by this manual there are test ports for supply and manifold gas pressure readings on the gas valve. Using a small flat tip pocket screw driver - open the needle valve inside the supply gas pressure test port one full turn only; turn the needle valve screw counter-clockwise to open the valve. Slide the manometer sensing tube over the top of the test port.

6. Open the Main Gas Shutoff Valve.
7. Measure and record the supply gas pressure, this is a "static" supply gas pressure reading; while the water heater is not firing. Adjust supply gas pressure as necessary.




**Figure 63. Gas Valve Assembly**


**LIGHTING THE WATER HEATER**

The instruction label below is affixed to the water heaters that are covered by this manual at the factory and must be followed when lighting and operating the water heater.

**FOR YOUR SAFETY READ BEFORE LIGHTING**



**WARNING:** If you do not follow these instructions exactly, a fire or explosion may result causing property damage, personal injury, or loss of life.



**BEFORE OPERATING: ENTIRE SYSTEM MUST BE FILLED WITH WATER AND AIR PURGED FROM ALL LINES**

A. This appliance does not have a pilot. It is equipped with an ignition device which automatically lights the burner. Do not try to light the burner by hand.

B. BEFORE OPERATING, smell all around the appliance area for gas. Be sure to smell next to the floor because gas is heavier than air and will settle to the floor.

**“WHAT TO DO IF YOU SMELL GAS”**

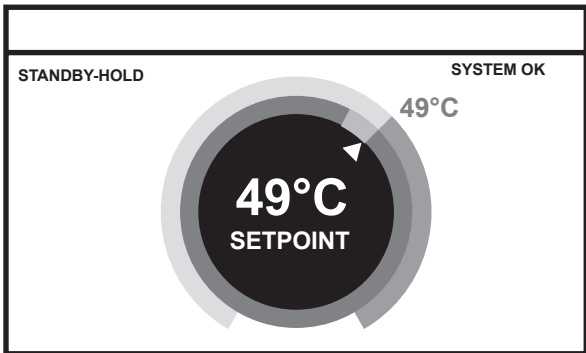
- Do not try to light the appliance.
- Do not touch any electrical switch; do not use any telephone in your building.
- Immediately call your gas supplier from a neighbor’s phone. Follow the gas supplier’s instructions.

- If you cannot reach your gas supplier, call the fire department.


C. Use only your hand to push in the control buttons. Never use tools. If the control buttons will not push in, don’t try to repair them, call a qualified service technician. Force or attempted repair may result in fire or explosion

D. Do not use this appliance if any part has been under water. Immediately contact a qualified installer or service agency to replace a flooded water heater. Do not attempt to repair the service unit. It must be replaced.

**OPERATING INSTRUCTIONS**



ENABLE/DISABLE SWITCH

1.  STOP! Read the safety information above on this label
2. Set the Enable/Disable switch on the control panel to the Enable position.
3. Set the thermostat to the lowest setting.
4. Set the Enable/Disable switch on the control panel to the Disable position.

5. This appliance is equipped with a device which automatically lights the burner.  
**DO NOT TRY TO LIGHT THE BURNER BY HAND.**

6. Wait five (5) minutes  to clear out any gas. If you then smell gas,  STOP! Follow “B” in the safety information above on this label. If you don’t smell gas, go to the next step.

7. Turn on all electrical power to the appliance.

8. Set the Enable/Disable switch on the control panel to the Enable position.

9. Set the thermostat to the desired setting.

 **CAUTION: Hotter water increases the risk of scald injury. Consult the instruction manual before changing temperature**



10. If the appliance will not operate, follow the instructions “TO TURN OFF GAS TO APPLIANCE” and call your technician or gas supplier.

 **WARNING: TURN OFF ALL ELECTRIC POWER BEFORE SERVICING.**



## SUPPLY GAS PRESSURE ADJUSTMENT

Supply gas pressure shall be measured while the water heater is not firing (static pressure) **and** while the water heater is firing at full capacity (dynamic pressure).

 <b>WARNING</b>	
<b>Fire and Explosion Hazard</b>	
	<ul style="list-style-type: none"> <li>• Do not use water heater with any gas other than the gas shown on the rating label.</li> <li>• Excessive gas pressure to gas valve can cause serious injury or death.</li> <li>• Turn off gas lines during installation.</li> <li>• Contact a qualified installer or service agency for installation and service.</li> </ul>

If the supply gas pressure to the water heater is not between the required minimum and maximum values given in **Table 5** (page 17) adjust the supply gas regulator as necessary. Adjust the supply gas regulator(s) per the regulator manufacturer's instructions to achieve the required "static" and "dynamic" supply gas pressure. The dynamic pressure cannot be adjusted directly but is directly proportional to the static pressure.

### Multiple Water Heater Installations:

In multiple water heater installations or in installations where the installed water heater(s) share a common gas supply main with other gas fired appliances; the supply gas pressures shall be measured at each water heater with all gas fired appliances connected to a common main firing at full capacity.

On multiple water heater installations the supply gas line regulators shall be adjusted to provide gas pressure to each water heater within the minimum and maximum supply pressure requirements listed in **Table 5** (page 17) with all gas fired appliances connected to a common gas main firing at full capacity.

**Note:** A pressure drop of more than 1.5" W. C. (0.37 kPa) when the Main Burner ignites is an indication of an inadequate supply of gas and can lead to ignition failure, rough starts and/or rough operation. If a drop of more than 1.5" W. C. (0.37 kPa) in supply gas pressure occurs when the Main Burner ignites, ensure the supply gas lines and regulator(s) are properly sized and installed. See the requirements for **Supply Gas Regulator** and **Gas Supply Systems** (page 20). See **Supply Gas Line Installation** (page 50) and **Supply Gas Regulator** (page 20). Ensure all requirements and installation instructions are maintained.

## CHECKING THE FIRING RATE

Follow these instructions to determine the actual firing rate of the water heater:

**Note:** The heaters covered by this manual are capable of modulating their firing rate. The firing rate should be checked with the heater operating at its full firing rate.

8. Ensure there are no other gas fired appliances connected to the gas meter firing during this test.
9. Contact the gas supplier to determine the heating value, in Btu per cubic foot, of the gas supply.
10. Connect a manometer to the supply gas pressure tap. Follow the instructions for **Start Up** (page 55).
11. Start the water heater and ensure it is firing.
12. Check the supply gas pressure, refer to **Table 5** (page 17) for correct pressure.
13. Locate the gas meter serving the water heater.
14. Time how long (in seconds) it takes for one cubic foot of gas to be used while the water heater is firing with a stop watch.
15. Use the formula below to "clock" the gas meter and determine the actual firing rate of the water heater based on the heating value (Btu per cubic foot) of the gas supply:

$$\frac{3600}{T} \times H = \text{Btu/hr}$$

Example:

$$\frac{3600}{12.6} \times 1050 = 300,000 \text{ Btu/hr (87.9 kW)}$$

- 3600 = seconds in one hour.
- T = time, in seconds, to burn one cubic foot of gas.
- H = heating value of gas in Btu per cubic foot.
- Btu/hr = actual firing rate of the water heater.



**Note:** 1050 Btu per cubic foot is a standard value for natural gas. Standard propane gas Btu content is 2500 Btu per cubic foot. Btu values may change in certain areas and at high elevations. Check with the local gas utility company.



### To Turn Off Gas Supply

1. Change the Operating Setpoint to the lowest temperature setting, see **Operating Set-Point and Differential Adjustment** (page 65).
2. When the water heater has completed its shut down sequence and enters the standby mode, turn the water heater's Enable/Disable switch to the "Disable" position. When in the "Disable" position the switch only removes electrical power from the gas valve so that water heating is disabled. The display, control boards, and other electrical components will still be energized and the display will read "Water Heating Disabled".
3. Close Main Gas Shutoff Valve, see **Figure 58** (page 50).

## HIGH ALTITUDE INSTALLATIONS

The water heaters covered by this manual are certified for use without modification for altitudes up to 10,100 feet (3,078 m).

 <b>WARNING</b>	
<b>Fire and Explosion Hazard</b>	
	<p><b>Modifying the water heater to exceed the firing rate on the rating label can result in property damage, personal injury or death.</b></p> <ul style="list-style-type: none"> <li>• Under no circumstances should the input exceed the rate shown on the water heater's rating label.</li> <li>• Over-firing could result in fire or explosion.</li> <li>• Gas and carbon monoxide detectors are available.</li> </ul>

 <b>WARNING</b>	
<b>Breathing Hazard - Carbon Monoxide Gas</b>	
	<ul style="list-style-type: none"> <li>• Under no circumstances should the input exceed the rate shown on the water heater's rating label.</li> <li>• Overfiring could result in damage to the water heater and sooting.</li> <li>• Gas and carbon monoxide detectors are available.</li> </ul>
<p><b>Breathing carbon monoxide can cause brain damage or death. Always read and understand instruction manual.</b></p>	

Most gas utility companies derate their gas for high altitudes.

**Note:** The actual firing rate of the water heater must not exceed the input rating on the water heater's rating label under any circumstances.

**Note:** Due to the input rating reduction at high altitudes, the output rating of the water heater is also reduced and should be compensated for in the sizing of the equipment.

# TEMPERATURE REGULATION

## HIGH TEMPERATURE LIMIT CONTROL

This water heater is equipped with an ECO (energy cut out) non adjustable high temperature limit control.

The ECO is located inside the Upper Temperature Probe. The ECO activates when the water temperature reaches an unsafe level and deactivates when the water temperature falls back to a safe level.


If the ECO activates due to abnormally high water temperatures in the storage tank the control system will immediately deenergize the gas valve and end the current heating cycle. The control system will "lock out" disabling further heating operation. The control system will display the "High Temp Limit Exceeded" Fault message on the LCD screen. It is important that a Qualified Service Agent be contacted to determine the reason for the ECO activation before resetting the ECO. Once the reason has been determined and corrected the ECO can be reset as follows:

If the ECO activates, the water temperature must drop below 140°F (60°C) before the control system can be reset. Once the water temperature has cooled below this point the power supply to the water heater must be turned off and on again to reset the control system.

## THERMOSTAT CONTROL

**⚠ DANGER**

**Burn Hazard**



**Water temperature over 52°C (125°F) can cause severe burns instantly resulting in severe injury or death.**

**Children, the elderly and the physically or mentally disabled are at highest risk for scald injury.**

**Feel water before bathing or showering.**


**Temperature limiting devices such as thermostatic point-of-use mixing valves must be installed when required by codes and to ensure safe temperatures at fixtures.**

Hot water temperatures required for automatic dishwasher and laundry use can cause scald burns resulting in serious personal injury and/or death. **Table 18** (page 61) shows the approximate time-to-burn relationship for normal adult skin.

The temperature at which injury occurs varies with the person's age and duration of exposure. The slower response time of children, the elderly or disabled persons increases the hazards to them. If anyone using hot water provided by the water heater being installed fits into one of these groups or if there is a local code or state law requiring a certain water temperature at the point of use, then special precautions must be taken.

**⚠ WARNING**

**Burn Hazard**



**The temperature of the water in the water heater can exceed the thermostat setting and be hot enough to cause burns.**

If you choose a higher temperature setting, install thermostatic mixing valves at each point-of-use to help avoid scalding.

*In addition to using the lowest possible temperature setting that satisfies the demand of the application a means, such as a thermostatic point-of-use mixing valve, for example, can be used at the hot water taps used by these people to reduce the water temperature.*

Check State and/or local codes for thermostatic point-of-use mixing valve requirements and installation practices.

Never allow small children to use a hot water tap or draw their own bath water. Never leave a child or disabled person unattended in a bathtub or shower.

The water heater should be located in an area where the general public does not have access to set temperatures.

Setting the Operating Setpoint at 120°F (49°C) will reduce the risk of scalds. Some States require settings at specific lower temperatures.


**Table 18. Burn Time at Various Temperatures**

Water Temperature °F (°C)	Time for 1st Degree Burn (Less Severe Burns)	Time for Permanent Burns 2nd & 3rd Degree (Most Severe Burns)
110 (43)	(normal shower temp.)	
116 (47)	(pain threshold)	
116 (47)	35 minutes	45 minutes
122 (50)	1 minute	5 minutes
131 (55)	5 seconds	25 seconds
140 (60)	2 seconds	5 seconds
149 (65)	1 second	2 seconds
154 (68)	instantaneous	1 second

(U.S. Government Memorandum, C.P.S.C., Peter L. Armstrong, Sept. 15, 1978)

**⚠ WARNING**

**Burn Hazard**



**The temperature of the water in the water heater can exceed the thermostat setting and be hot enough to cause burns.**

To reduce the risk of unusually hot water reaching the fixtures in the house, install point of use thermostatic mixing valves at each point of use.



The water heaters covered in this manual are equipped with an electronic control system to regulate water temperature inside the storage tank. The control system senses temperature from two factory-installed temperature probes, one installed in the top of the storage tank and one installed near the bottom.

The “Operating Setpoint” is adjusted to regulate water temperature inside the storage tank. This is an adjustable user setting in the control system’s “Temperatures Menu.” This and all control system menus are accessed through the UIM (user interface module) located on the front of the water heater. See **Figure 66** (page 64).

The Operating Setpoint is adjustable from 90°F (32°C) to 180°F (82°C). The factory setting is 120°F (49°C). See **Operating Set-Point and Differential Adjustment** (page 65) for instructions on how to adjust the Operating Setpoint and other user settings.

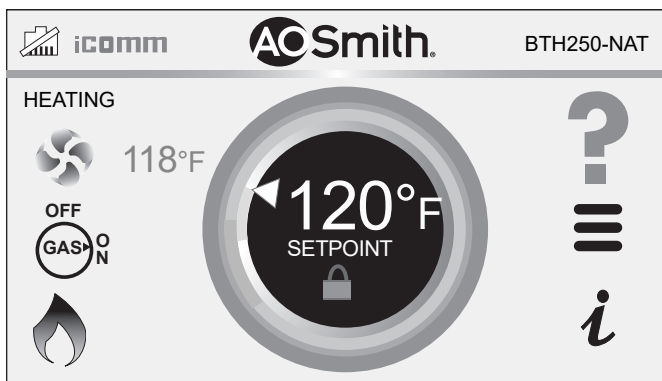
Set the Operating Setpoint at the lowest setting that produces an acceptable hot water supply. This will always provide the most energy efficient operation.

### FIRING RATE MODULATION

The water heaters covered by this manual are capable of modulating their firing rate. The control boards monitor the water temperature in the tank and regulates the firing rate to achieve the target temperature setpoint. The firing rate is dictated by the hot water draw, proximity to the tank temperature setpoint, and various other temperature limitations.

### HIGH TEMPERATURE APPLICATIONS

Higher operating temperatures cause more wear on all water heaters and will decrease the life span of the water heater. Consider installing a small booster water heater for high temperature applications, such as commercial dishwashers, to raise the outlet temperature from the larger primary water heater to the desired point of use temperature.



**Figure 64. Tank Temperature Setpoint**

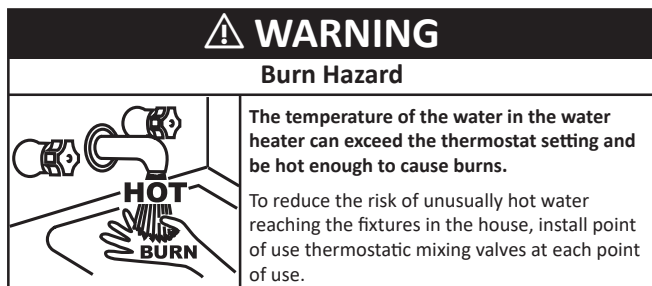
Contact Technical Support for assistance. See the contact information label on the water heater.



## CONTROL SYSTEM OPERATION

### LIMITING THE RISK OF SCALDING

For a variety of reasons, water heaters can produce water that is much hotter than its temperature setting. Take precautions to prevent this higher temperature water from reaching the water fixtures.



According to a national standard, *Performance Requirements for Water Temperature Limiting Devices (ASSE 1070)* and many local plumbing codes, the water heater's gas control valve should not be used as the sole means to regulate water temperature and avoid scalds.

A properly adjusted thermostatic mixing valve at each point of use allows you to set the tank temperature to a higher setting without increasing risk of scalds. A higher temperature setting allows the tank to provide much more hot water and can help provide proper water temperatures for appliances such as dishwashers and washing machines.

### WI-FI

The water heaters covered in this manual feature a Wi-Fi functionality that is enabled at the factory. If Wi-Fi is not required for installation, you can be disabled it as follows:

1. Go to main menu screen
2. Select iCOMM icon
3. Wi-Fi Status should show "AP Mode" (If not scroll down to "Change to AP Mode" line item and Enable)
4. Enable the Wi-Fi if it is showing as disabled
5. Using a phone or tablet go to the Wi-Fi settings and search available networks
6. In the list of networks, there should be a name that is similar to "iCOMMNextGenUIM-XXXXXXX". This is the website being broadcast by the display on the water heater. Select this network.
7. After selecting the iCOMM network, a separate message may appear asking for permission to Stay Connected to the selected network. Select the option to stay connected. Under the selected network name, there should be an indication that the Wi-Fi connected with the above iCOMM network.
8. Open a new Internet browser window on the device.
9. The Internet browser may automatically go to the web address 192.168.0.1. If it doesn't, type that number into the address bar. This will bring up a page that looks similar to the following:
10. Find the network name on the left that corresponds to the local Wi-Fi network, and select the Connect button to the right of it.
11. If the local network is password protected, a new screen will appear asking for the password. Enter the password for the local network and click Connect.
12. A confirmation message should appear indicating the Connection to Wi-Fi was completed.

### LOCKOUT FUNCTION

The water heaters covered in this manual feature a lockout functionality that is disabled at the factory by default. If the lockout functionality is required by the end user, the initial installer/contractor can access this functionality and enable it through the UIM.

### CONTROL SYSTEM OVERVIEW

The water heaters covered in this manual are equipped with an electronic control system that regulates water temperature inside the storage tank. Heating cycles and ignition are managed by the control system. The ECO, flame sensor, pressure switches, and temperature probes are monitored by the control system. The combustion blower, spark ignition transformer, gas valve and anode rods are all powered by the control system.

The main components of the control system are a user interface module (UIM), Temperature Regulation Control (TRC) and control system circuit (CSC). The UIM is located on the top front side of the water heater. The control boards are mounted on top of the water heater inside a protective enclosure. This unit is equipped with an Enable/Disable switch. To operate unit, make sure the switch is set to Enable. See *Features and Components* (page 10) for location of these and all water heater components.

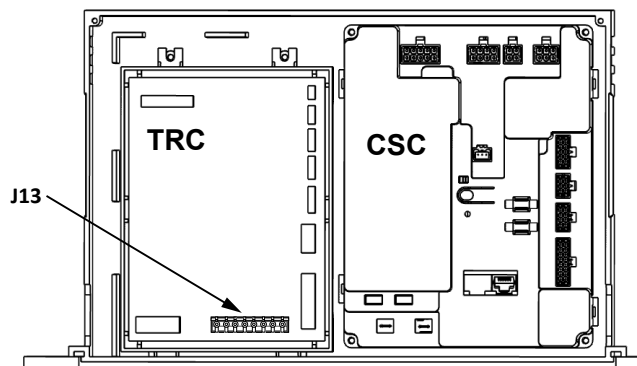


Figure 65. Control System Components

**CONTROL SYSTEM NAVIGATION**

All operational information and user settings are displayed and accessed from the UIM. The UIM houses the control system's LCD Touch Display (liquid crystal display).

**The Home Screen**

During normal operation, the control system displays the Home screen on the LCD Touch Display, which is the default screen. The control system returns to the Home screen when there are no active fault or alert conditions or when there has been no user input for several minutes.

- Manufacturer and water heater model information displays in the Title Bar at the top of the Home screen.
- The Operating setpoint is shown in the middle of the Home screen. This is the temperature at which the control system will maintain the water inside the storage tank.
- Status is shown in the upper left. The status shows the current operational state of the control system in real time.
- The light green band on the temperature dial shows the temperature offset.
- The three horizontal lines on the Home screen will allow you to access sub menus.
- The Home screen also displays animated status icons to convey operational information. See **Table 19** (page 64) for descriptions of the status icons.

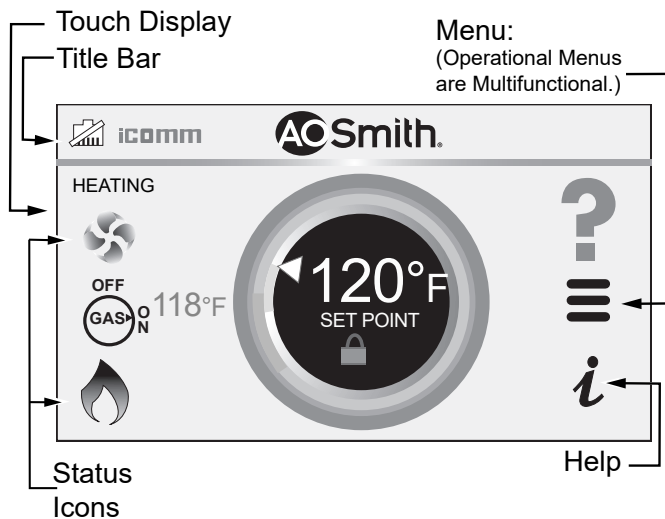


Figure 66. User Interface Module (UIM) Home Screen

**Status Icons**

The Status Icons are displayed on the Desktop screen and convey operational and diagnostic information. The icons are described in the table below.

Table 19. Status Icons	
Icon	Description
	The Combustion Blower is energized.
	The gas valve is being energized.
	The control system has sensed flame at the Main Burner from the flame sensor. See <b>Sequence Of Operation</b> (page 83) and <b>Figure 2</b> (page 11).
	The control system has declared a fault condition and must be inspected/serviced by a Qualified Service Agent. Fault message details can be viewed in the Current Fault menu. Heating operation is disabled (lock out) until the condition that caused the fault is corrected. Power to the water heater must be cycled off and on at the breaker to reset the control system.  <b>Note:</b> Cycling power will not reset the control system if the condition that caused the fault has not been corrected.
	The control system has declared an alert condition and must be inspected/serviced by a Qualified Service Agent. The water heater will continue to operate during an alert condition.



## Operating States

The current operational state of the water heater is displayed on the Home Screen as the "Status." The common operational states are described in the table below.

State	Description
Uncalibrated	The unit is currently uncalibrated and must go through calibration before use.
Calibration	The unit is currently going through calibration procedure.
Standby	Heater is waiting on a call for heat.
Initializing	Initializing heater before regular heating.
Input Verification	The unit has begun a burn cycle and is checking all safety circuits.
Pre-Purge	The unit has begun a spark period to ignite the main burner.
Ignition	The unit has begun a burn cycle and is checking safety circuits.
Inter-Purge	After a failure to ignite the burner, the control is attempting to purge any excess gas from the heater exchanger before another attempt to light.
Heating	The water heater has been properly lit, and the water in the tank is being heated.
Post-Purge	Combustion products are being pushed out of the heater exchanger after a successful heating cycle.
System in Fault	The water heater control has detected a fault. No further heating of the water will be done until reset.
Blocked	A condition is preventing a burn cycle that must clear before resuming water heating.
Ext Ena	External enable/disable switch is active on unit.
BMS	BMS is active on unit.
Heater Disabled	The heater has been disabled and will not heat water.

## Control System Menus

From the Home Screen pressing "Menu" on the LCD Touch Display will display the "Main Menu" this is where all control system menus are located. The table below describes the control system menus.

Menu	Description
Setpoint Manager	Most commonly accessed menu. Contains the Operating Setpoint and Differential user settings.
Heater Status	This menu displays the current state of all pressure switches and the high temperature limit control sensors. The on/off status of the Combustion Blower, gas valve, igniter, flame sensor and other monitored water heater components are displayed in this menu.
Display Settings	Temperature units (°F or °C), the LCD appearance (brightness/contrast) and back-light delay user adjustable settings are located in this menu.
Heater Information	Elapsed time of operation, total heating cycle time, heating cycle count, heating on time along with UIM and control board software revisions can be viewed in this menu.
Current Fault	Displays any current alert or fault messages.
Fault History	This control system menu retains a list of the last nine (9) fault and alert messages with a time stamp. The newest event will replace the oldest. Faults will clear after 30 days.
Fault Occurrence	This control system menu retains a running total of how many times each fault condition has occurred since the water heater was first installed. The data does not clear and cannot be reset.
Restore	This control system feature allows the user to restore control system user settings to their factory default settings. Display Settings preferences ARE NOT changed when factory defaults are restored.
Help Screens	Text based operational and user information explaining how to change user settings, navigate the control system menus and icon descriptions.

## USER SETTINGS & CONTROL SYSTEM MENUS

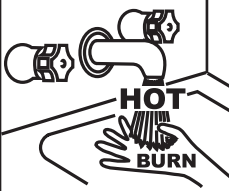
### Operating Set-Point and Differential Adjustment

The Operating Setpoint is adjustable from 90°F (42°C) to 180°F (82°C). The factory setting is 120°F (49°C). The Differential is adjustable from 2°F (1°C) to 20°F (11°C). The factory setting is 8°F (4°C). These user settings are accessed from the Temperatures menu. The following instructions will explain how to adjust these settings and navigate the control system menus.

When the water temperature sensed by the control system from the two (upper and lower) Temperature Probes reaches the Operating Setpoint the control system will end the heating cycle. A heating cycle will be activated again when the sensed water temperature drops below the Operating Setpoint minus the Differential setting.

⚠ **WARNING**

**Burn Hazard**



The temperature of the water in the water heater can exceed the thermostat setting and be hot enough to cause burns.

If you choose a higher temperature setting, install thermostatic mixing valves at each point-of-use to help avoid scalding.

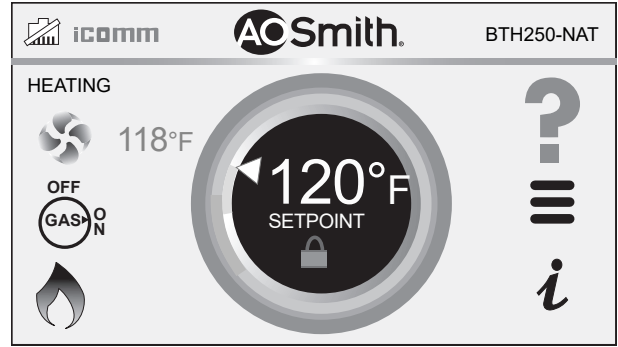
**Note:** Lower Differential settings may cause excessive heating cycles (short-cycling) which can cause premature failure of heater components. Set the Differential at the highest setting which produces an acceptable hot water supply. Set the Operating Setpoint to the lowest setting which produces an acceptable hot water supply for most efficient use.

**Setpoint Manager**

From the Setpoint Manager, you can adjust the Differential Mode, the Differential, and see the current Tank Temperature.

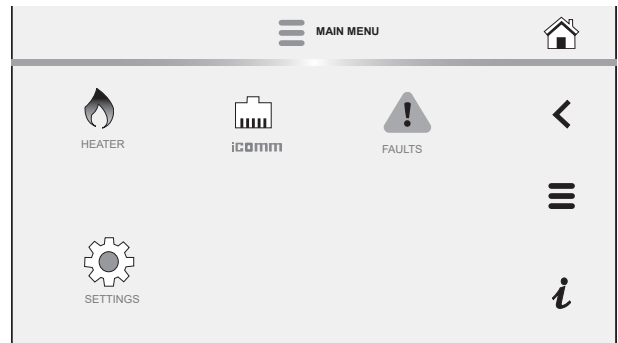
1. From the Home screen, press MENU icon. The “Main Menu” screen will be displayed.

**Note:** The differential is indicated by the light green band on the temperature dial.



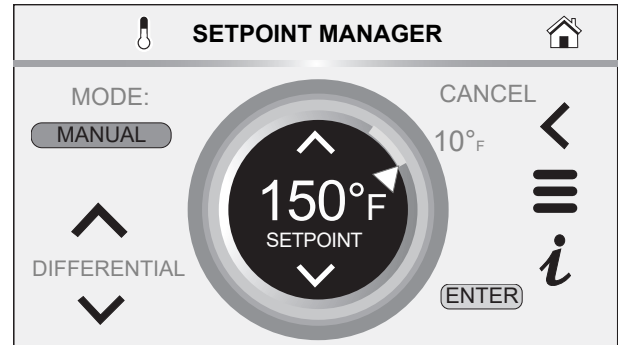
The Main Menu is where all control system menus are listed. See **Table 21** (page 65) for a complete list and description of control system menus.

2. Press Heater Menu to access the Setpoint Manager Menu.

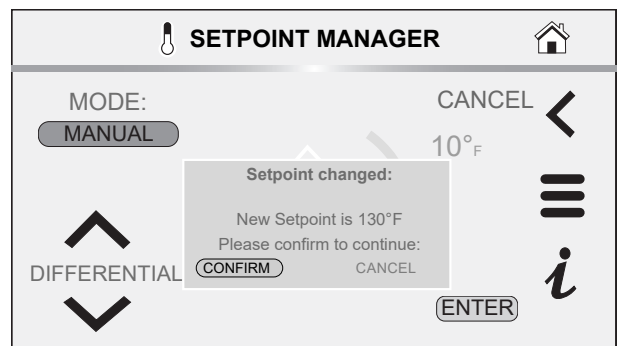


3. Press Heater: Setpoint Manager to access the temperature setpoint menu.
4. Use the arrow Buttons to change the current setting.

**Note:** Higher Temperature settings increase wear and operating costs. Set the Operating Setpoint to the lowest setting which produces an acceptable hot water supply. This will always provide the most energy efficient operation and longer life.

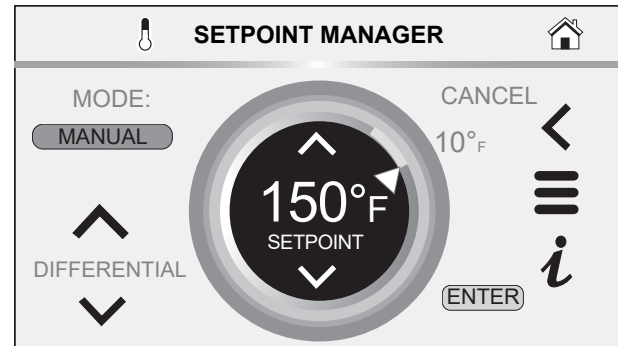


5. Tap “CONFIRM” to save the new setting. Press “CANCEL” to discard changes and return to the previously saved setting.



6. To change the differential setting: change the mode from automatic to manual, then use the up and down arrows on the differential to change setting. Confirm to keep changes or Press the Cancel button to return to the previously saved settings.

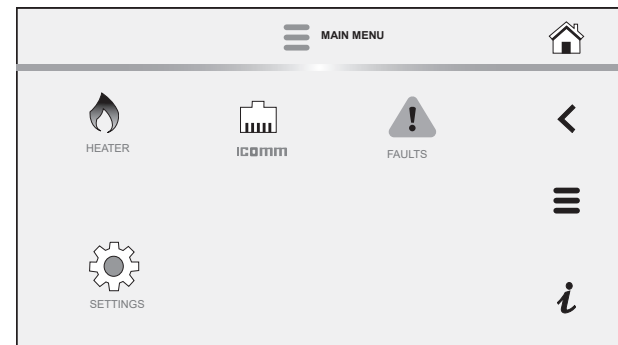
- **Differential Mode** - Operating mode with an Intelligent Demand Response (IDR). This mode allows the water heater to reduce preset differential to a lower setting so that the appliance will more rapidly respond to large draws to maintain water outlet temperature. This mode is enabled at the factory by default, but can be disabled in the field if required.
- **Differential** - Adjustable user setting that changes the tank temperature differential with a range of 2° to 20°F. The factory setting is 8°F.
- **Tank Temperature** - Non adjustable. Control system sensed temperature (averaged from upper & lower temperature probes).



These settings are adjusted in the same way described in **Operating Set-Point and Differential Adjustment** (page 65).

#### iCOMM Menu

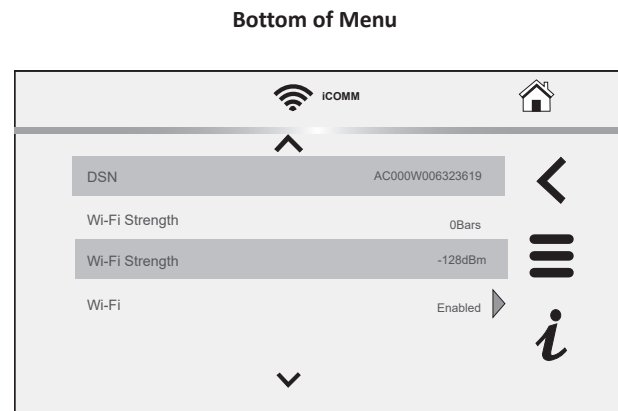
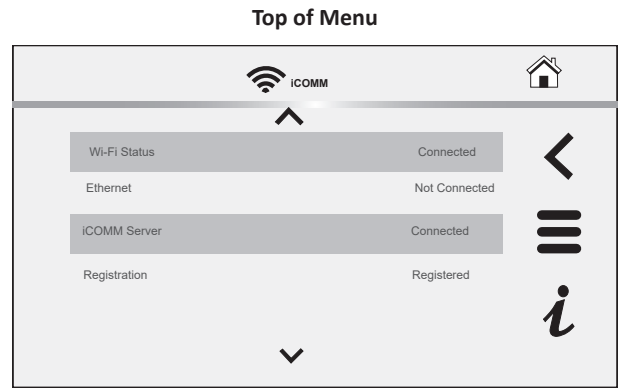
1. From the Home screen, press MENU icon.  
The "Main Menu" screen will be displayed.
2. Press the iCOMM icon to access the iCOMM screen.



The iCOMM screen displays the following Wi-Fi information:

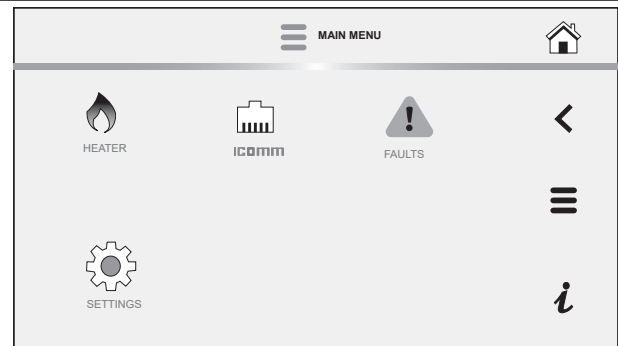
- **Wi-Fi Status** - displays status of Wi-Fi connection.
- **Ethernet** - displays status of Ethernet connection.
- **iCOMM Server** - displays status the iCOMM server.
- **Wi-Fi MAC** - displays the Wi-Fi MAC number.
- **Ethernet MAC** - displays the Ethernet MAC number.
- **DSN** - displays the Device Serial Number (DSN). Used for registration of the heater.
- **Wi-Fi Strength** - displays Wi-Fi signal strength as a series of bars.
- **Wi-Fi Strength** - displays Wi-Fi signal strength dBm units.

**Wi-Fi** - Wi-Fi functionality is enabled at the factory. In the bottom portion of the menu, the Wi-Fi can be disabled by selecting the **Enabled>** marker and selecting the **Disable** option. This is the only item on this screen that can be adjusted. The other items are for view and information purposes only.

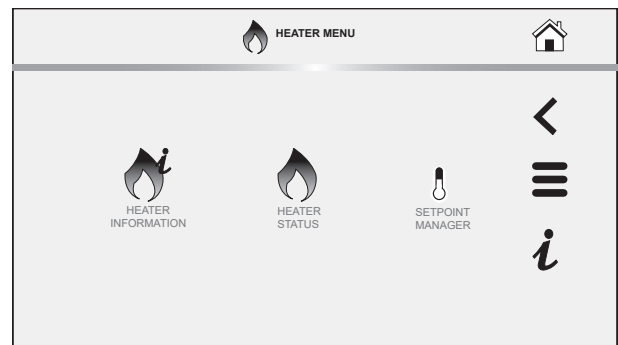


**Heater Information Menu**

1. From the Home screen, press MENU icon.  
The "Main Menu" screen will be displayed.
2. From the Main Menu, press the Heater icon to access the Heater menu.

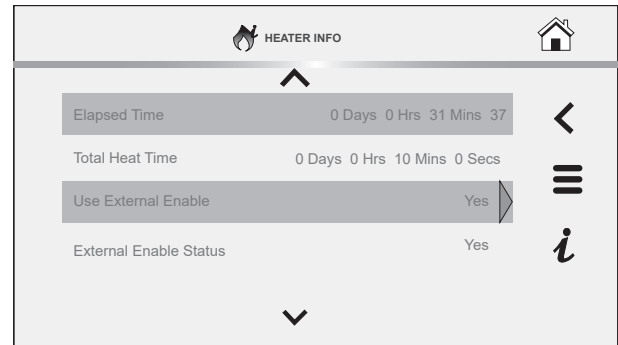


3. Press the Heater Information icon from the Heater menu to enter the Heater Information screen.



This screen contains non adjustable operational information.

- **Elapsed Time** - Total accumulated time the control system (water heater) has been energized.
- **Total Heat Time** - Total accumulated time the control system has been in the heating operating state; burner run time.
- **Total Cycle Counter** - Total accumulated count of heating cycles.
- **Ignition Failure Count** – Total accumulated count of ignition failures.
- **Flame Loss Count** - Total accumulated count of flame losses.
- **TRC Version** - Software version for TRC board.
- **UIM Version** - Software version for user interface module.
- **Serial Number** - Serial number of the water heater.
- **Model Number** - Model number of the water heater
- **CSC Version** - Software version for CSC board.
- **CPAM1 Version** - Software version for CPAM1.
- **CPAM2 Version** - Software version for CPAM2.
- **Building Management Version** - Software version for Building Management System.
- **Water Valve Control Version** - Software version for the water valve control.
- **NANODE Version** - Software version for NANODE.



Historical data is stored in the FMM board. If this board is removed or damaged during servicing the historical data will be lost and heater will no longer operate. The FMM board should never be replaced unless directed by Technical Support.

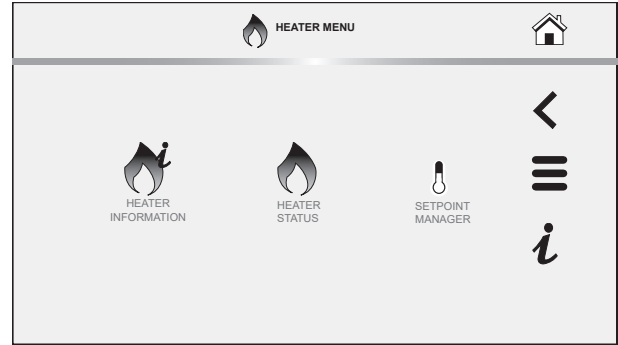
The Elapsed Time, Burner On Time and Cycle Count indicate age, usage and wear.

If the Cycle Count per day is high (divide cycle count by days to determine cycles per day) or the cycle duration is short (determine burner on time total minutes, divide burner on time total minutes by cycle count) consider raising the Differential setting to avoid short cycling and excessive component wear. See **Operating Set-Point and Differential Adjustment** (page 65).

This historical data can also be used to assist facilities managers in forecasting planned replacement of equipment to help avoid lengthy and costly hot water supply interruptions.

**Heater Status Menu**

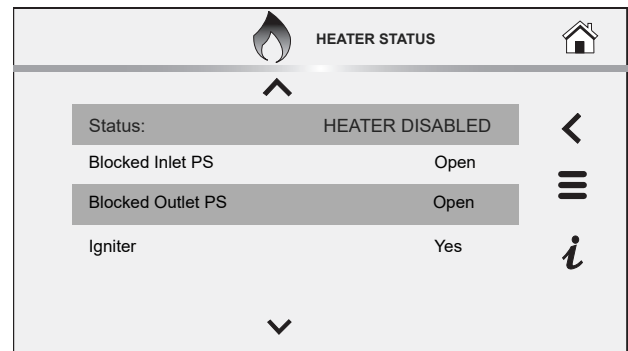
- From the Home screen, press MENU icon.  
The “Main Menu” screen will be displayed.
- From the Main Menu, press **Heater: Heater Information** to access the Heater Information screen.



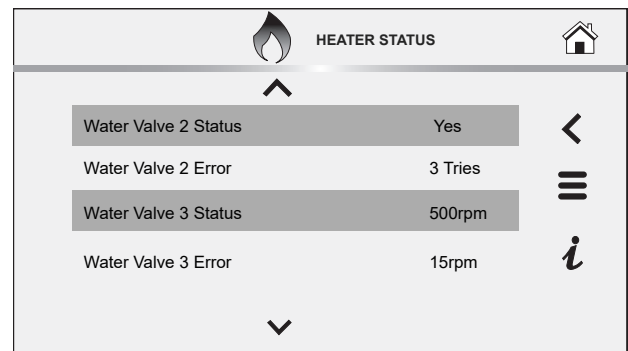
The Heater Status menu displays the following information:

- **Status** - Indicates whether the heater is Enabled or Disabled.
- **Blocked Inlet PS** - Indicates if the Inlet is blocked.
- **Blocked Outlet PS** - Indicates if the Outlet is blocked.
- **Igniter On** - Indicates if the Igniter is operational
- **Gas Valve On** - Indicates if the gas valve is on.
- **Flame Detected** - Indicates if flame is detected.
- **Blower RPM** - Indicates the blower RPMs
- **Main Temperature** - Temperature reading of the main temperature probe.
- **Lower Temperature** - Temperature reading of the lower temperature probe.
- **Anode Current** – Current reading of anode
- **Anode Tank Voltage** – Voltage of anode tank
- **Anode Drive Voltage** – Voltage of anode drive
- **Water Valve 1 Status** – Current status of Water Valve 1
- **Water Valve 1 Error** – Error in Water Valve 1
- **Water Valve 2 Status** - Current status of Water Valve 2
- **Water Valve 2 Error** - Error in Water Valve 2
- **Water Valve 3 Status** - Current status of Water Valve 3
- **Water Valve 3 Error** - Error in Water Valve 3

**Top of Menu**

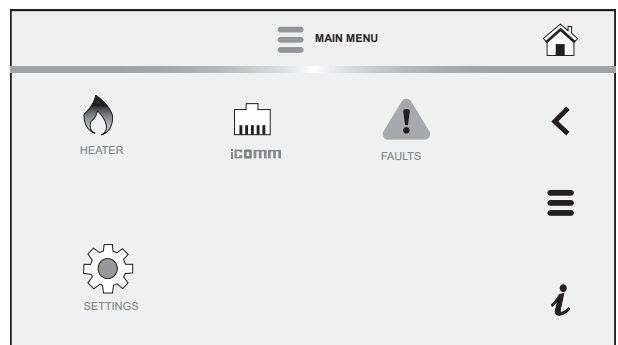


**Bottom of Menu**



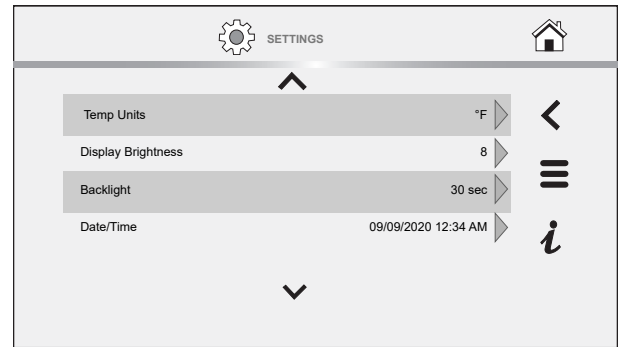
**Display Settings Menu**

- From the Home screen, press MENU icon.  
The “Main Menu” screen will be displayed.
- From the Main Menu, press the Settings icon to access the Settings screen.



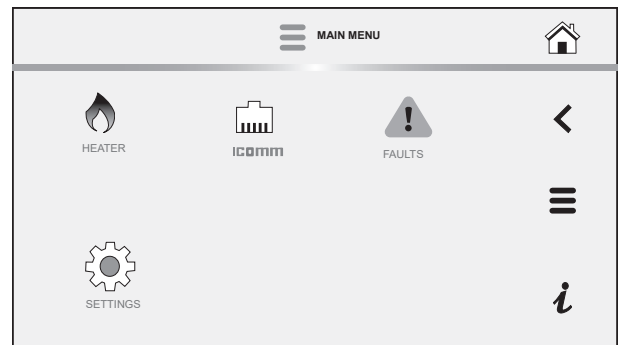
The Settings screen contains adjustable display options for viewing information on the LCD screen.

- **Temperature Units** - Adjustable user setting that changes temperature units display to Celsius °C or Fahrenheit °F.
- **Backlight Delay** - Adjustable user setting that determines how long the LCD backlight remains illuminated after a key has been pressed. Available settings are; Always Off, 10, 30 or 60 seconds and Always On.
- **Brightness** - Adjustable user setting to adjust the LCD screen contrast between text and background.
- These settings are adjusted in the same way as described **Operating Set-Point and Differential Adjustment** (page 65).
- Lock setpoint manager
- Date/Time
- Lock
- Show Contact
- Current Contact Info
- Leak Detection
- Audio Alert
- Tank Temp Probe Offset
- Use External Enable
- Disable Modulation
- Water Valve Cycle Time
- Language

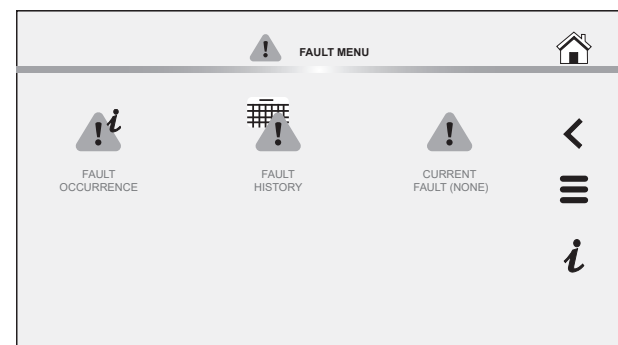


#### Current Fault

1. From the Home screen, press MENU icon.  
The "Main Menu" screen will be displayed.
2. From the Main Menu, press the Faults icon to access the Fault Menu.



3. From the Fault Menu, press the Current Fault or Current Alert icon to access the Current Fault screen.

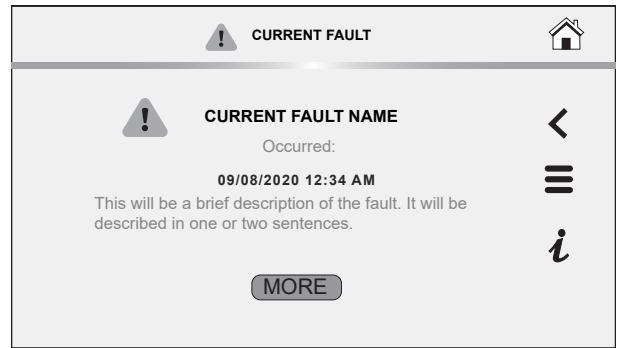


The Current Fault screen contains the current Fault or Alert error message. The time the Fault or Alert message occurred appears directly below. A brief description of what causes the particular Fault or Alert condition appears below that.

Press the MORE button for more detailed service information and a list of possible causes for the Fault or Alert condition.

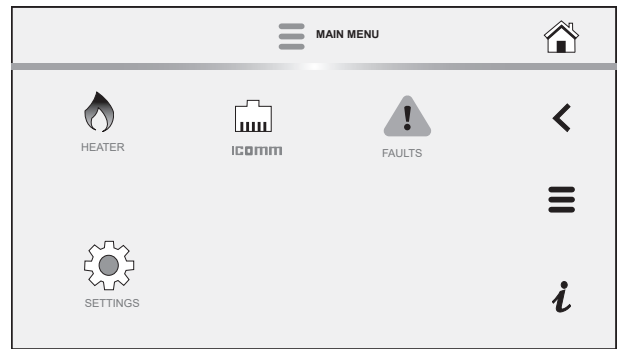
See **Troubleshooting** (page 82) for more detailed information and diagnostic procedures.

If there is no Fault or Alert condition active this menu will not contain any information; “(none)” will be shown next to Current Fault in the Fault menu.

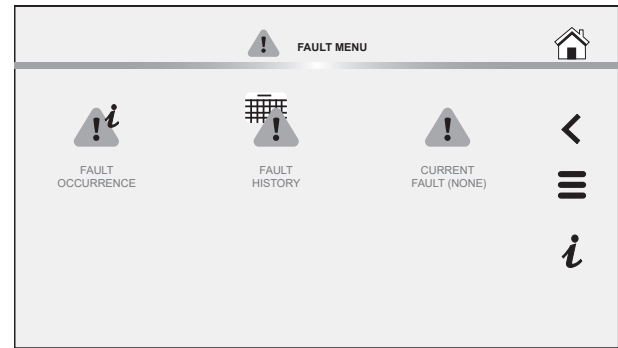


**Fault History Menu**

- From the Home screen, press MENU icon.  
The “Main Menu” screen will be displayed.
- From the Main Menu, press the Faults icon to access the Fault Menu.

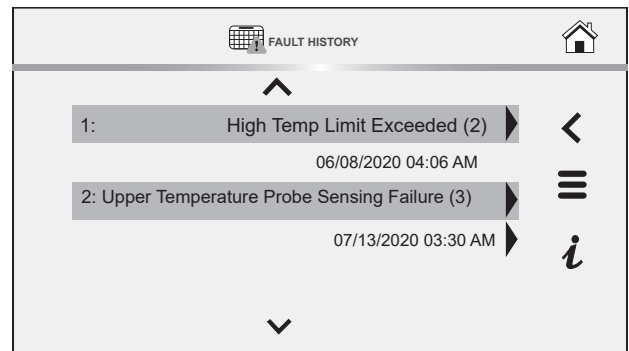


- From the Fault Menu, press the Fault History icon to access the Fault History screen.



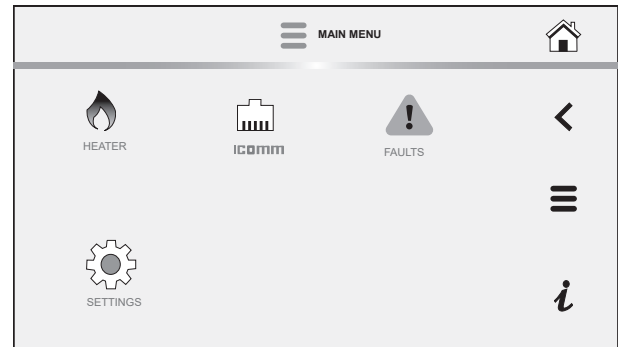
The Fault History screen contains a list of the last nine (9) Fault and Alert messages with a time stamp. The newest event will replace the oldest. Faults will clear after 30 days.

Press the Fault to view details for each Fault or Alert message stored.



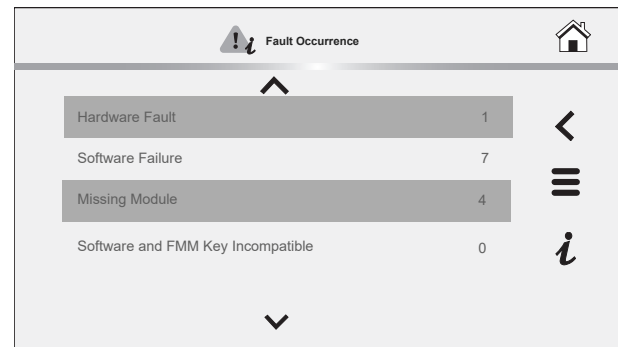
**Fault Occurrence Menu**

1. From the Home screen, press MENU icon.  
The “Main Menu” screen will be displayed.
2. From the Main Menu, press the Faults icon to access the Fault Menu.



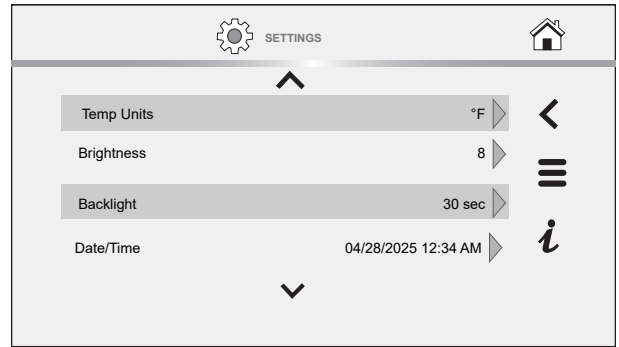
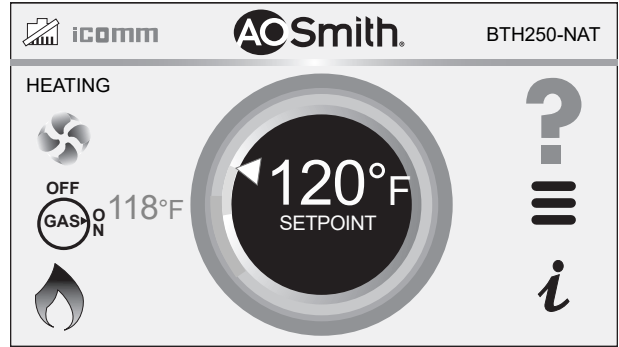
3. From the Faults Menu, press the Fault Occurrence icon to access the Fault Occurrence screen.

The Fault Occurrence screen contains a running total of how many times each Fault condition has occurred since the water heater was first installed.

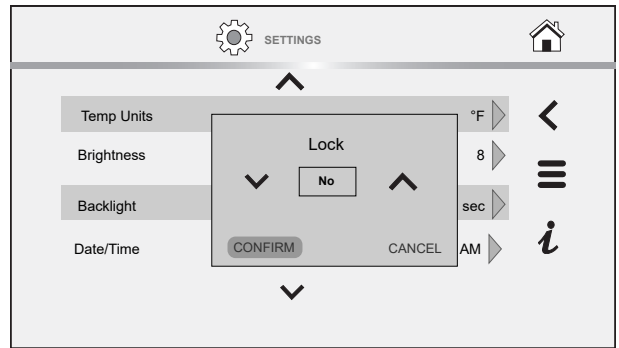


**Lockout Function**

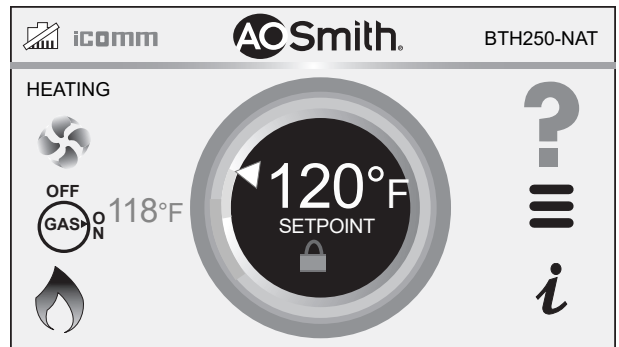
1. From the Home screen, press MENU icon.  
The "Main Menu" screen will be displayed.
2. From the Main Menu, press the Settings icon to access the Settings screen.
3. Use the arrow buttons to scroll through the list to the Lock item.
4. Click on the arrow to the right to access the Lock dialog box.



5. Use the arrows in the Lock dialog box to toggle Yes to enable the lock or No to disable the lock.  
**Note:** The lock is disabled by default from the factory.  
Click Confirm to implement your selection.



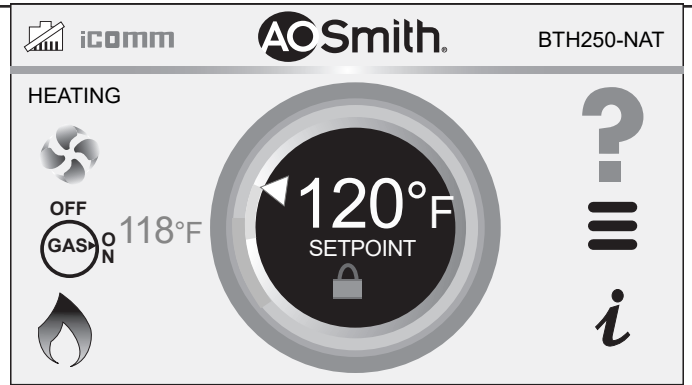
6. Press and hold on the lock icon on the Home screen to unlock the Setpoint settings



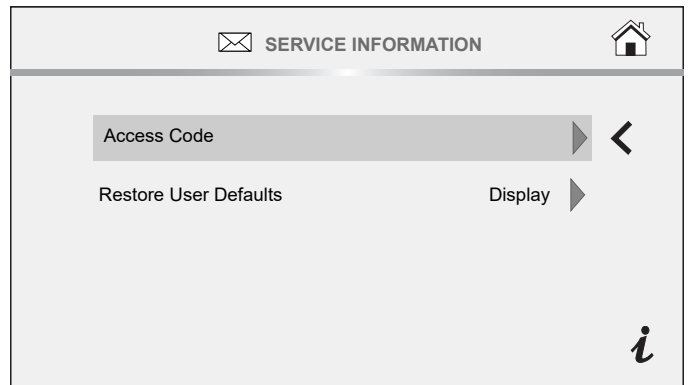
**Restore Factory Defaults Function**

1. Press and hold on the A. O. Smith logo on the Home screen.

The Service Information screen displays

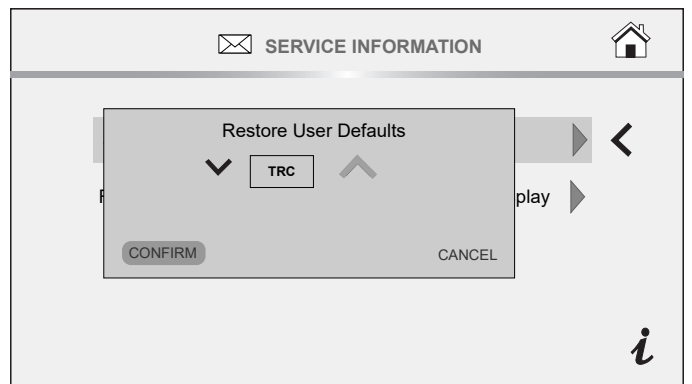


2. Select Restore User Defaults on the Service Information screen.



3. Ensure TRC is selected in the list menu, then press the Confirm button.

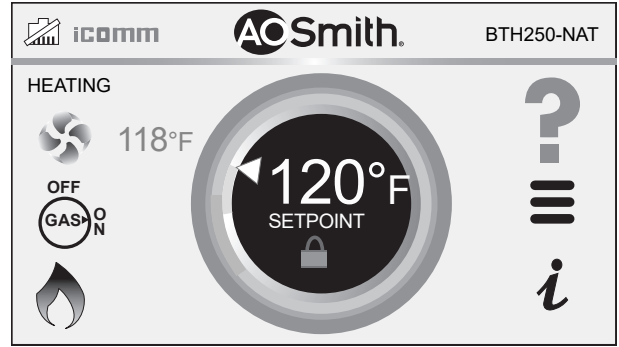
The original factory settings of the water heater are restored.



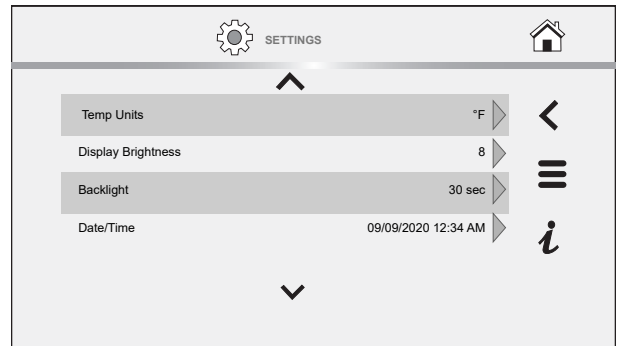
**Service Contact Information**

The control system has a menu that Installing contractors and/or service agents can access to enter their contact information for customers. This contact information will be displayed with all Fault and Alert messages.

1. From the Home screen, press the Main Menu icon. The Main Menu screen displays.
2. From the Main Menu screen, press the Settings icon.



3. Scroll down to the Settings Menu and select the Current Contact Info item. The Contact Information screen displays.



4. To edit a contact information item, select it and press the Pencil icon.
5. Edit the item using the keyboard. Press the Save Key to save your data after each entry.

**Note:** You can enable or disable the display of Contact info by editing the "Show Contact" item on the Settings Menu.



## MAINTENANCE

Keep water heater area clear and free from combustible materials, gasoline, and other flammable vapors and liquids. See *Locating the Water Heater* (page 17).

Water heater maintenance includes periodic tank flushing and cleaning, and removal of lime scale. The water heater should be inspected and adjusted to maintain proper combustion. See *Initial Start Up* (page 55). A periodic inspection of the venting system should be made, see **Table 22** (page 77). Where used, water circulating pump(s) should be oiled according to the pump manufacturers recommendations.

### Precautions

<b>CAUTION</b>
<b>Safety Hazard</b>
<p><b>Do not operate the water heater if it has been exposed to or exhibits the following:</b></p> <ul style="list-style-type: none"> <li>Exposed to flooding or water damage</li> <li>External damage.</li> <li>Firing without water.</li> <li>Sooting.</li> </ul> <p>Do not operate the water heater until all corrective steps have been made by a qualified service technician.</p>

Never operate the water heater without first being certain it is filled with water and a properly sized and rated Temperature-Pressure Relief Valve is installed in the relief valve opening on the water heater. See *Water Line Connections* (page 43).

<b>WARNING</b>
<b>Explosion Hazard</b>
<div style="display: flex; align-items: center;"> <div style="padding-left: 10px;"> <ul style="list-style-type: none"> <li>Overheated water can cause water tank explosion.</li> <li>A properly sized temperature and pressure relief valve must be installed in the opening provided.</li> </ul> </div> </div>

If overheating occurs or the gas supply fails to shut off, turn off the Main Gas Shutoff valve. See *Figure 58* (page 50).

Table 22. Maintenance Schedule			
Component	Operation	Interval	Required
Tank	Drain and Flush	Every 6 Months	See <i>Draining And Flushing</i> .
Tank	Lime Scale Removal (Water Less Than 25 Grains Hard)	Not Required	N/A
Tank	Lime Scale Removal (Water Greater Than 25 Grains Hard)	Annually	See <i>Lime Scale Removal</i> (page 78)
Burner Flames	Inspection	Every 3 Months	See <i>Burner Flame Inspection</i> (page 79).
Burner	Inspection/Cleaning	As Needed	Contact qualified agency or professional.
Moving Parts	Lubrication	Not Required	N/A
Powered Anode Rods	Inspection/Cleaning	Annually	See <i>Drain Valve and Access Panels</i> (page 79).
T&P Valve	Test Operation	Semi Annually	See <i>Temperature-Pressure Relief Valve Test</i> (page 80).
Vent System	Inspection	Annually	See <i>Vent System Maintenance</i> (page 81).
Condensate Neutralization	Inspection	Annually	See manual for the condensate neutralization kit.
Condensate Collection	Cleaning	Annually	See <i>Vent System Maintenance</i> (page 81).

### DRAINING AND FLUSHING

It is recommended that the water heater storage tank be drained and flushed every 6 months to reduce sediment buildup. The water heater should be drained if being shut down during freezing temperatures. See *Features and Components* (page 10) for the location of the water heater components described below.

<b>DANGER</b>
<b>Burn Hazard</b>
<div style="display: flex; align-items: center;"> <div style="padding-left: 10px;"> <p><b>The discharge water from the drain valve is hot enough to cause burns.</b></p> <p>Keep your hands clear of the drain valve discharge outlet.</p> </div> </div>

### Draining the Water Heater Storage Tank

1. Turn the Enable/Disable switch located on the front of the heater to the Disabled position.
2. Turn off the electrical supply to the water heater.
3. Turn off the gas supply at the Main Gas Shutoff Valve if the water heater is going to be shut down for an extended period.
4. Ensure the cold water inlet valve is open.
5. Open a nearby hot water faucet and let the water run until the water is no longer hot.
6. Connect a hose to the water heater drain valve and terminate it to an adequate drain.
7. Close the cold water inlet valve.
8. Open the water heater drain valve and allow all the water to drain from the storage tank.
9. Close the water heater drain valve when all water in the storage tank has drained.
10. Close the hot water faucet opened in Step 5.
11. If the water heater is going to be shut down for an extended period, the drain valve should be left open.

### Flushing the Water Heater Storage Tank

1. Turn the Enable/Disable switch located on the front of the heater to the Disabled position.
2. Turn off the electrical supply to the water heater.
3. Ensure the cold water inlet valve is open.
4. Open a nearby hot water faucet and let the water run until the water is no longer hot. Then close the hot water faucet.
5. Connect a hose to the drain valve and terminate it to an adequate drain.
6. Ensure the drain hose is secured before and during the entire flushing procedure. Flushing is performed with system water pressure applied to the water heater.
7. Open the water heater drain valve to flush the storage tank.
8. Flush the water heater storage tank to remove sediment and allow the water to flow until it runs clean.
9. Close the water heater drain valve when flushing is completed.
10. Remove the drain hose.
11. Fill the water heater - see *Filling The Water Heater* (page 55).
12. Turn on the electrical supply to place the water heater back in operation.
13. Allow the water heater to complete several heating cycles to ensure it is operating properly.

### SEDIMENT REMOVAL

Waterborne impurities consist of the particles of soil and sand which settle out and form a layer of sediment on the bottom of the tank.

For convenience, sediment removal and lime scale removal should be performed at the same time.

#### Lime Scale Removal

When water is heated dissolved minerals in the water such as calcium and magnesium carbonate (lime scale) become less soluble. As the water temperature rises these minerals will precipitate or “fall out” of solution.

The amount of lime scale released from water is in direct proportion to water temperature and usage. The higher the water temperature or water usage, the more lime deposits are dropped out of the water.

Water hardness also affects lime scale accumulation. With the temperature and usage being the same, hard water will release more lime scale than softer water.

Lime scale reduces heating efficiency as it accumulates inside a water heater. Heating transfer surfaces become coated with lime scale deposits which increases fuel costs to operate the water heater. Lime scale deposits can also cause rumbling and pounding noises as air molecules trapped in the lime scale escape when heated. Lime scale accumulation also reduces the life span of water heaters. For these reasons, a regular schedule for deliming should be set up.

The depth of lime accumulation in the bottom of the water heater should be measured periodically. Inspect by removing the clean-out cover once every 6 months at first. Deliming maintenance should then be performed based on the time it takes for 1 inch (2.5 cm) of lime to accumulate in the bottom of the water heater.

Sediment and lime scale removal may be accomplished manually through the clean-out opening furnished on the water heater, see *Figure 67*.

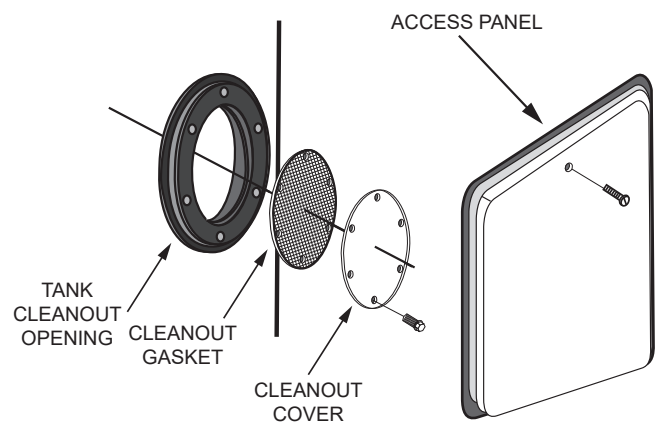


Figure 67. Clean-out Access

### Manual Lime Scale Removal

**Note:** Contact your local distributor or contact Technical Support to order a new clean-out gasket. See the contact information label on the water heater. Have the new gasket available before removing the clean-out cover.

The clean-out opening is shown in **Figure 67**. To remove lime scale manually through the clean-out opening proceed as follows:

1. Turn the Enable/Disable switch located on the front of the heater to the Disabled position.
2. Turn off the electrical supply to the water heater.
3. The water heater must be drained, see **Draining And Flushing** (page 77), follow the instructions on how to drain the water heater.
4. Remove outer clean-out access panel from lower side of the water heater jacket.
5. Remove the clean-out cover from clean-out opening.
6. Remove lime, scale and/or sediment using care not to damage the glass-lining.
7. Install a new clean-out gasket if required.
8. Reinstall the clean-out cover. Be sure to draw plate up tight by tightening screws securely.
9. Close the water heater drain valve.
10. Fill the water heater - see **Filling The Water Heater** (page 55).
11. Turn on the electrical supply to place the water heater back in operation. See **Initial Start Up** (page 55).
12. Allow the water heater to complete several heating cycles to ensure it is operating properly.
13. Check for water leakage.
14. Reinstall the clean-out access panel.

### Chemical Lime Scale Removal

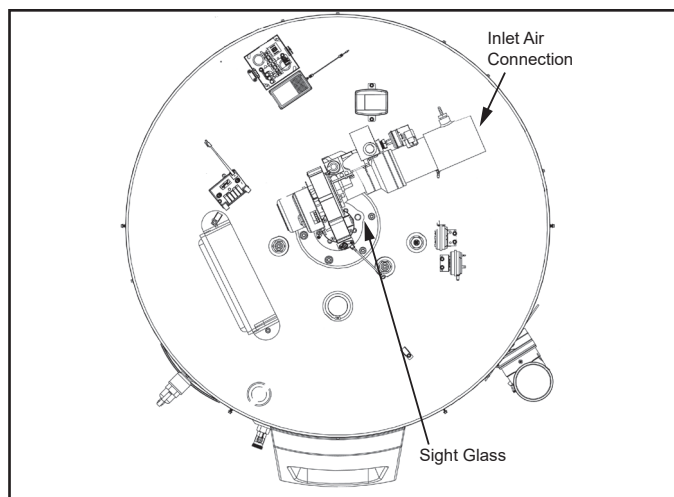
To dissolve and remove more stubborn lime scale deposits, white vinegar should be used. Hydrochloric base acids must not be used to delime the water heaters covered in this manual.

### DRAIN VALVE AND ACCESS PANELS

The water heaters covered in this manual are equipped with a drain valve. See **Features and Components** (page 10) for location. The water heaters covered in this manual are also equipped with a clean-out opening for sediment and lime scale removal. See **Figure 67** (page 78).

### BURNER FLAME INSPECTION

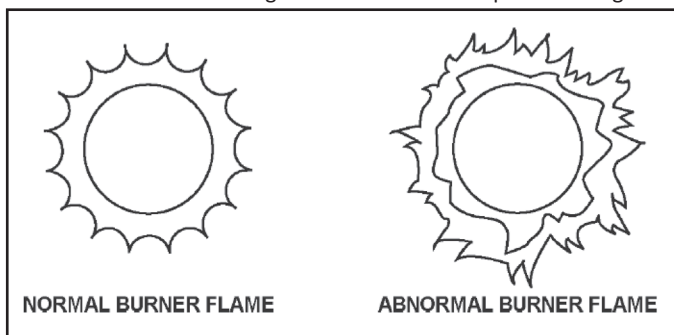
Check main burner every three months for proper flame characteristics. You can see the burner flame through the sight glass on top of the burner plate. To access the sight glass, you must remove the plastic cover.



**Figure 68. Location of Sight Glass**

The main burner should display the following characteristics:

- Provide complete combustion of gas.
- Cause rapid ignition and carry over of flame across entire burner.
- Give reasonably quiet operation during initial ignition, operation and extinction.
- Cause no excessive lifting of flame from burner ports. See Figure 66.




**Figure 69. Normal and Abnormal Burner Flames**

If the preceding burner characteristics are not evident, check for accumulation of lint or other foreign material that restricts or blocks the air intake fitting or air intake terminal.

To ensure continued good performance, keep the area around the water heater clean and free from lint and debris. Sweep the floor around the water heater regularly. This will reduce the dust and dirt which can enter the burner and heat exchanger, causing improper combustion and sooting.

If the air intake fitting and air intake terminal are clear and the burner continues to exhibit abnormal flames, contact a qualified service agency or have a qualified service professional inspect and clean the burner.

## ANODE ROD MAINTENANCE

<b>CAUTION</b>	
<b>Property Damage Hazard</b>	
	Operating the water heater with depleted or malfunctioning anodes can damage the water heater. Annual inspection and replacement of the anode rod is required.

The water heaters covered in this manual are factory equipped with powered anode rods mounted in the top of the unit. The anode rods are of a permanent design and do not need replacing unless damaged, however, inspection and cleaning should be performed once a year.

To inspect the powered anode, do the following:

1. Turn off electrical supply and gas supply to the water heater.
2. Shut off the water supply and open a nearby hot water faucet to depressurize the water tank.
3. Drain approximately 5 gallons of water from tank. See **Draining And Flushing** (page 77) for proper procedures. Close drain valve.
4. Remove the wiring connection on the top of the powered anode.
5. Remove the powered anode by loosening the 3/4" NPT bushing that forms the top of the anodes.
6. Remove the entire anode rod from the water heater for inspection.
  - If undamaged and in working order, clean the anode rod with a soft cloth and reinstall.
  - If the anode needs to be replaced, obtain a new anode rod. Apply thread-sealer tape or an approved pipe sealant on the threads before installing the new powered anode rod.

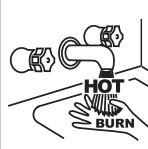
Whether re-installing or replacing the powered anode rod, check for any leaks and immediately correct if found.

7. Turn on water supply and open nearby hot water faucet to purge air from water system.
8. Refill the water heater following the instructions for **Filling The Water Heater** (page 55).
9. Restart the water heater as directed in this manual.

## TEMPERATURE-PRESSURE RELIEF VALVE TEST

It is recommended that the Temperature-Pressure Relief Valve should be checked to ensure that it is in operating condition every 6 months.

When checking the Temperature-Pressure Relief Valve operation, make sure that (1) no one is in front of or around the outlet of the Temperature-Pressure Relief Valve discharge line, and (2) that the water discharge will not cause any property damage, as the water may be extremely hot. Use care when operating valve as the valve may be hot.

<b>⚠ DANGER</b>	
<b>Burn Hazard</b>	
	<b>The discharge water from the temperature-pressure relief valve is hot enough to cause burns.</b> Keep clear of the temperature-pressure relief valve discharge outlet.

To check the relief valve, lift the lever at the end of the valve several times, see **Figure 70**. The valve should seat properly and operate freely.

If after manually operating the valve, it fails to completely reset and continues to release water, immediately close the cold water inlet to the water heater and drain the water heater, see **Draining And Flushing** (page 77). Replace the Temperature-Pressure Relief Valve with a properly rated/sized new one, see **Temperature-Pressure Relief Valve** (page 22) and **Piping Diagrams** (page 102) for instructions on replacement.

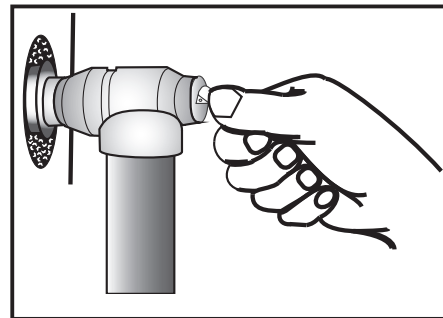


Figure 70. T&P Relief Valve Discharge Pipe

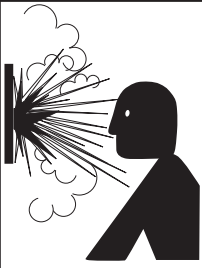
If the Temperature-Pressure Relief Valve on the water heater weeps or discharges periodically, this may be due to thermal expansion.

**Note:** Excessive water pressure is the most common cause of Temperature-Pressure Relief Valve leakage. Excessive water system pressure is most often caused by "thermal expansion" in a "closed system." See **Thermal Expansion** (page 22) and **Closed Water Systems** (page 21). The Temperature-Pressure Relief Valve is not intended for the constant relief of thermal expansion.

Temperature-Pressure Relief Valve leakage due to pressure build up in a closed system that does not have a thermal expansion tank installed is not covered under the limited warranty. See Commercial Water Heater Limited Warranty Insert.

Thermal expansion tanks must be installed on all closed water systems.

**Do not plug the Temperature-Pressure Relief Valve opening. This can cause property damage, serious injury or death.**

<b>⚠ WARNING</b>	
<b>Explosion Hazard</b>	
	<p><b>Normal operation of the water heater can cause it to become sufficiently over-heated and/or over-pressurized that it can explode, resulting in property damage, sever injury, or death.</b></p> <p>To avoid this hazard, you must install a properly-sized temperature-pressure relief valve in opening provided.</p> <ul style="list-style-type: none"> <li>• The temperature-pressure relief valve must comply with <b>ANSI Z21.22-CSA 4.4</b> and <b>ASME</b> code.</li> <li>• Do not plug, block, or cap the discharge line.</li> </ul>

## VENT SYSTEM MAINTENANCE

Examine the vent system every 6 months. Points of inspection are as follows:

1. Check for obstructions and/or deterioration of the intake air and/or vent piping and the intake air and vent terminations. Replace immediately where needed.
2. The debris screens in the intake air and vent terminations should be cleaned of foreign material and soot. See **Figure 28** (page 38).  
**Note:** Do not reach inside the vent termination when the heater is in operation.
3. Check all vent system connections for leakage and repair or reseal as necessary.
4. Inspect and clean the built-in condensate trap of any debris. See **Figure 11** (page 23) and **Figure 56** (page 49).

# TROUBLESHOOTING

## STARTUP CONDITIONS

### Smoke/Odor

It is not uncommon to experience a small amount of smoke and odor during the initial start-up. This is due to burning off of oil from metal parts, and will disappear in a short while.

### Thermal Expansion

## CAUTION

### Property Damage Hazard



**Avoid water heater damage from pressure fluctuations in closed water systems.**

- Fill tank with water before operating.
- Install thermal expansion tank if necessary.
- Do not apply heat to cold water inlet.
- Contact qualified installer or service agency.

Water supply systems may, because of such events as high line pressure, frequent cut-offs, the effects of water hammer among others, have installed devices such as pressure reducing valves, check valves, back flow preventers, etc. to control these types of problems. When these devices are not equipped with an internal by pass, and no other measures are taken, the devices cause the water system to be closed. As water is heated, it expands (thermal expansion) and closed systems do not allow for the expansion of heated water.

The water within the water tank expands as it is heated and increases the pressure of the water system. If the relieving point of the water heater's temperature-pressure relief valve is reached, the valve will release excess pressure. The temperature-pressure relief valve is not intended for the constant relief of thermal expansion. This is an unacceptable condition and must be corrected. It is recommended that any devices installed which could create a closed system have a by-pass and/or the system have an expansion tank or device to relieve the pressure built by thermal expansion in the water system. Expansion tanks are available for ordering through a local plumbing contractor. Contact the local water heater supplier or qualified service agency for assistance in controlling these situations.

## OPERATIONAL CONDITIONS

Do not remove the powered anode rod leaving the tank unprotected. By doing so, all warranty on the water heater tank is voided.

Having the 120 V power to the water heater turned off for extended periods of time also leaves the tank unprotected and can void the warranty.

### Air in Hot Water Faucets

## WARNING

### Explosion Hazard



**Flammable hydrogen gases can form in water pipes. The hydrogen can explode if it is exposed to flame and can cause severe injury or death.**

Keep all ignition sources away from faucet when turning on hot water.

### Hydrogen Gas

Hydrogen gas can be produced in a hot water system that has not been used for a long period of time (generally two weeks or more). Hydrogen gas is extremely flammable and explosive. To prevent the possibility of injury under these conditions, we recommend the hot water faucet, located farthest away, be opened for several minutes before any electrical appliances which are connected to the hot water system are used (such as a dishwasher or washing machine). If hydrogen gas is present, there will probably be an unusual sound similar to air escaping through the pipe as the hot water faucet is opened. There must be no smoking or open flame near the faucet at the time it is open.

## INSTALLATION CHECKLIST

The list below represents some of the most critical installation requirements that, when overlooked, often result in operational problems, down time and needless parts replacement. This is not a complete list. Before performing any troubleshooting procedures use the list below to check for installation errors.

**Note:** Costs to correct installation errors are not covered under the limited warranty. See Commercial Water Heater Limited Warranty Insert.

Ensure all installation requirements and instructions in this manual have been maintained and followed.

### Water Heater Location

1. Ensure proper clearances to combustibles are maintained and there is sufficient room to service the water heater. See **Clearance To Combustible Materials** (page 18).
2. Ensure the area is free of corrosive elements and flammable materials. See the instructions in **Combustible Material Storage** (page 24).

## Venting

---

3. Ensure the intake air and/or vent (exhaust) piping is the correct size for the installed length. See **Venting Requirements** (page 32).
4. Ensure the maximum equivalent length of pipe has not been exceeded for the intake air and/or vent pipe. See **Table 7** and **Table 8** (page 33).
5. Ensure the maximum number of elbows has not been exceeded in the intake air and/or vent pipe. See **Table 7** and **Table 8** (page 33).
6. Ensure the intake air screen has been removed from the intake air connection on the water heater when installing the water heater in a Direct Vent configuration. See **Figure 21** (page 35).
7. Ensure all exterior clearances for the intake air, vent, concentric, and low profile terminations are maintained. See **Vertical Termination Installation** (page 36), **Concentric Termination Installation** (page 41). These clearances and those cited by local and national codes must be maintained.

## Gas Supply And Piping

---

8. Ensure a supply gas regulator has been installed for each water heater. See the requirements for a **Supply Gas Regulator** (page 20).
9. Ensure the supply gas line to each water heater meets the minimum supply gas line size requirements. See the requirements for the **Gas Supply Systems** (page 20) and the installation instructions in **Gas Line Sizing** (page 51) and **Gas Line Connection** (page 51).

## Condensate Drain

---

Ensure the condensate drain is properly connected to the exhaust elbow on the water heater and draining freely to a suitable floor drain. See **Figure 11** (page 23) and **Condensate Drain Installation** (page 49).

## Electrical Connections

---

10. Ensure the power supply connections to the water heater are polarity correct. See the requirements for the **Power Supply** (page 20) and **Electrical Wiring** (page 52).
11. Ensure the water heater is properly grounded. Flame sensing requires an adequate earth ground. If the water heater is not properly grounded it will cause ignition failure.

## SEQUENCE OF OPERATION

---

Read the Sequence of Operation below before attempting to correct any operational problems. Refer to **Features and Components** (page 10) for

the location of various water heater components described below. See also **Sequence Of Operation** (page 83).

1. When the control system is first powered, during boot up, it will display water heater model information during initialization. After a few moments the control system LCD Touch Display which is part of the UIM (user interface module) will display the default screen known as the "Desktop" screen.
2. If the control system determines that the actual water temperature inside the tank is below the programmed Operating Setpoint minus the Differential setting, a heating cycle is activated.
3. The control system then performs selected diagnostic system checks. This includes confirming the operating ready states of the blocked exhaust, blocked intake and ECO (energy cut out) are operable.
4. If all diagnostic checks are successfully passed, the control system energizes the Combustion Blower for prepurge.
5. The control system energizes the Spark Ignition Transformer.
6. The control system energizes the gas valve allowing gas to flow to the Main Burner.
7. The control system monitors the flame sensor to confirm a flame is present at the Main Burner. If a flame is not verified during the ignition trial period the control system will try for ignition up to two more times. If flame can not be verified after three trials for ignition, the control system will lock out and display the "Ignition Failure" Fault message.
8. If a flame is verified, the control system will deenergize the Spark Ignition Transformer and enter the heating mode where it will continue heating the water until the Operating Setpoint is reached. At this point, the control system will deenergize the gas valve and enter the post-purge cycle (approximately 30 seconds).
9. The water heaters covered by this manual are capable of modulating their firing rate. The firing rate is dictated by the hot water draw and various other temperature limitations.
10. The Combustion Blower will run for the duration of the post-purge cycle to purge the water heater of all combustion gases. When the post-purge cycle is complete, the blower is deenergized and will coast to a stop.
11. The control system now enters the standby mode while continuing to monitor the internal storage tank water temperature and the state of other system devices. If the tank temperature drops below the Operating Setpoint minus the Differential setting, the control will automatically return to Step 2 and repeat the operating cycle.

Sequence is shown with Enable/Disable Switch in the Enable position

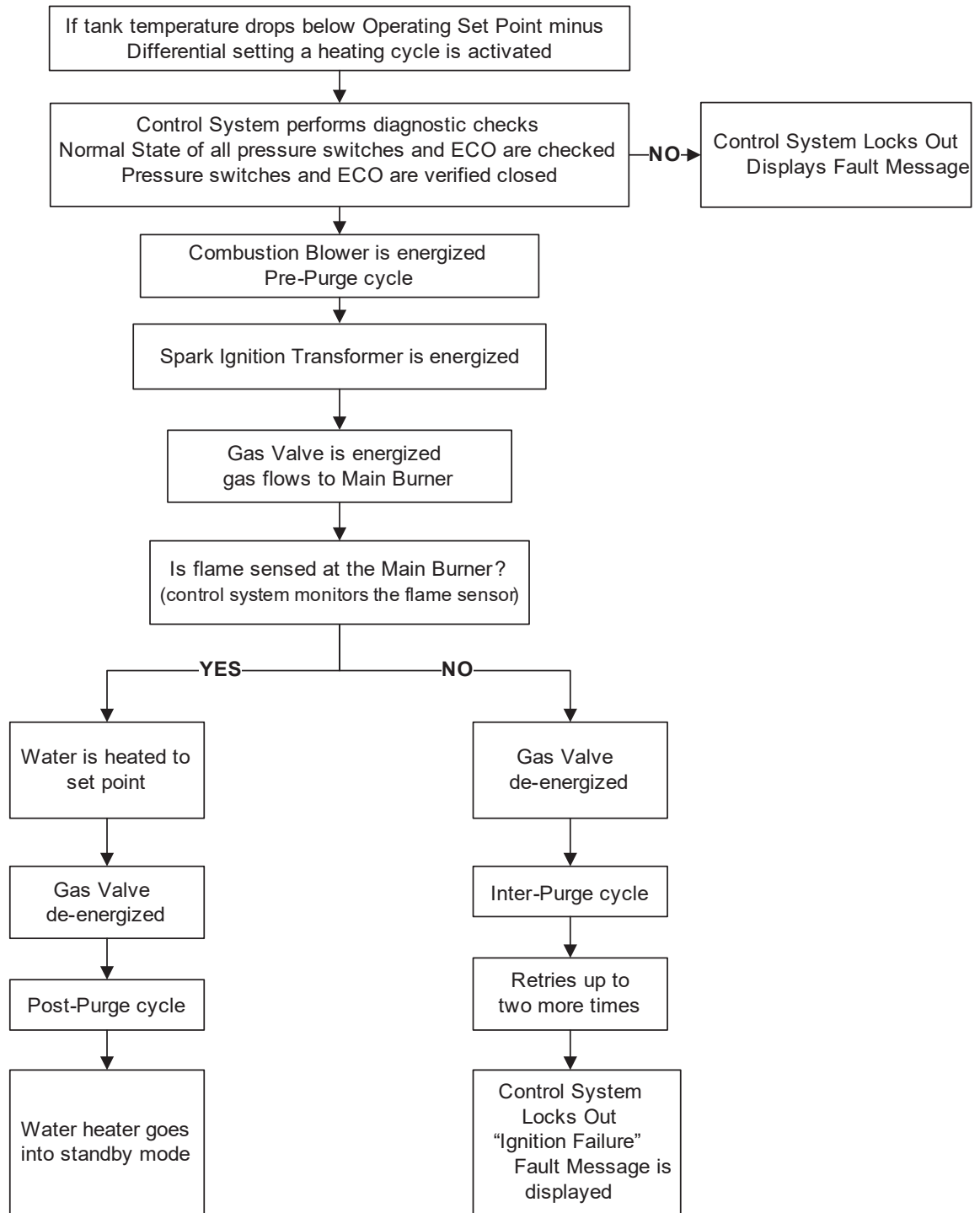



Figure 71. Sequence of Operation



**OPERATIONAL PROBLEMS**

<b>⚠ WARNING</b>	
<b>Safety Hazard</b>	
	<p><b>Failure to follow these instructions and safety messages could result in death or serious injury.</b></p> <p>Read and understand this instruction manual and the safety messages herein before installing, operating or servicing this water heater.</p> <p>This manual must remain with the water heater.</p>

This section of the manual is intended to be an aid in correcting common operational problems, it is not all inclusive. The installer may be able to observe and correct certain problems which might arise when the water heater is first put into operation or when it is re-fired after a prolonged shutdown. However, only qualified service agents, as defined in **Qualifications** (page 8), using appropriate test equipment, should perform any service procedures on the water heater.

**Note:** Contact Technical Support for further assistance or to locate a qualified service agent in your area. See the contact information label on the water heater.


**Installation Errors**

Operational problems on new installations are often the result of installation requirements that have been overlooked rather than failed components. IE: Rough starting and rough operation are often caused by undersized supply gas lines and/or the absence of a supply gas regulator at the water heater.

Prior to performing any operational checks inspect the water heater installation to ensure all installation requirements and instructions have been maintained and followed. See the **Installation Checklist** (page 82).

**Note:** Costs to correct installation errors are not covered under the limited warranty. See Commercial Water Heater Limited Warranty Insert.

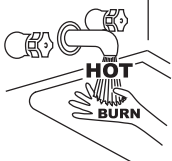
**Rough Starting, Rough Operation**

<b>⚠ WARNING</b>	
<b>Fire and Explosion Hazard</b>	
	<ul style="list-style-type: none"> <li>Do not use water heater with any gas other than the gas shown on the rating label.</li> <li>Excessive gas pressure to gas valve can cause serious injury or death.</li> <li>Turn off gas lines during installation.</li> <li>Contact a qualified installer or service agency for installation and service.</li> </ul>

- Undersized supply gas line (low volume of supply gas) - see **Gas Supply Systems** (page 20).
- Supply gas regulator is not installed per installation requirements (erratic gas supply volume/pressures) - see **Supply Gas Regulator** (page 20).
- Excessive supply gas pressure - see **Table 5** (page 17) and **Initial Start Up** (page 55).

- Vent (exhaust) gas recirculation at the vent and intake air pipe terminations on **Direct Vent Installation** - see **Direct Vent Installation** (page 34).
- Excessive equivalent lengths of intake air and/or vent (exhaust) piping installed - see **Venting Requirements** (page 32).
- Debris clogging/blocking the intake air screen(s) - see **Figure 21** (page 35) and **Figure 28** (page 38).
- Debris clogging/blocking the Main Burner - see **Figure 2** (page 11).

**Momentary Ignition**

<b>⚠ CAUTION</b>	
<b>Burn Hazard</b>	
	<ul style="list-style-type: none"> <li>The combustion chamber and burner sleeve and housing become very hot during operation.</li> <li>Do not reach into the burner housing or combustion chamber if the water heater is still hot.</li> <li>Allow the water heater to cool and always use gloves when handling the main burner.</li> </ul>

If the Main Burner ignites momentarily but does not sustain ignition, allow the water heater to try to ignite up to two more times until control system locks out and the Ignition Failure Fault message is displayed on the control system's LCD. If the water heater is experiencing rough starts - see **Rough Starting, Rough Operation** (page 85). For momentary ignition problems without rough starting check the following:

- Undersized supply gas line (low volume of supply gas) - see **Gas Supply Systems** (page 20).
- Supply gas regulator is not installed per installation requirements (erratic gas supply volume/pressures) - see **Supply Gas Regulator** (page 20).
- See the list of possible causes and things to check and repair for the Ignition Failure Fault message in **Fault and Alert Messages** (page 88).
- Debris clogging/blocking the intake air screen(s) - see **Figure 21** (page 35) and **Figure 28** (page 38).
- Debris clogging/blocking the Main Burner - see **Figure 2** (page 11).

**Not Enough Or No Hot Water**

- No power to the water heater, check breaker and fuses.
- Enable/Disable switch in "Disabled" position. Set to Enable to allow unit to operate.
- Hot water supply valve(s) to fixtures closed.
- Operating Setpoint is set too low, Differential setting is set too high. See **Control System Operation** (page 63).
- Tank Probe Offset is causing the heating cycles to terminate prematurely - see **Setpoint Manager** (page 66).
- Ensure there is not any external supervisory control (using the enable/disable circuit) disabling heating operation.
- The heating capacity of the water heater has been exceeded, the water heater is unable to meet demand.



- Colder incoming water temperature lengthening the time required to heat water to desired temperature.
- Hot water piping leaks, open faucets, water heater drain valve leaking or open.
- Sediment or lime scale accumulation may be affecting water heater operation. See **Maintenance** (page 77) for sediment and lime scale removal procedures.
- Water heater not firing at full input rating. Check actual firing rate of the water heater, see instructions in **Checking The Firing Rate** (page 59). Note that the water heaters covered by this manual are capable of modulating their firing rate. The firing rate is dictated by the hot water draw and various other temperature limitations.

---

#### Water Is Too Hot

- Operating Setpoint is set too high. See **Operating Set-Point and Differential Adjustment** (page 65).
- If installed, check Thermostatic Mixing Valve settings.
- Tank Probe Offset setting improperly set - see **Setpoint Manager** (page 66).
- Lime build-up on temperature probes. Inspect and Clean.
- Improper water piping - see **Water Heater Installation** (page 49).

---

#### Noisy Operation

- Sediment or lime scale accumulations can cause rumbling and pounding noises during heating cycles. See **Maintenance** (page 77) for sediment and lime scale removal procedures.
- Normal operating noise of electrical components; Combustion Blower, transformer hum, relay contact closure.

---

#### Water Leakage Is Suspected

- Ensure the water heater drain valve is tightly closed.
- Check clean-out opening for leaks - see **Figure 5** (page 13).
- Check inlet/outlet water connections and system piping.
- Check the Temperature-Pressure Relief Valve.
- Excessive water temperature.

- Excessive water pressure.
- Defective Temperature-Pressure Relief Valve.

**Note:** Excessive water pressure is the most common cause of Temperature-Pressure Relief Valve leakage. Excessive water system pressure is most often caused by "thermal expansion" in a "closed system." See **Closed Water Systems** (page 21) and **Thermal Expansion** (page 22). The Temperature-Pressure Relief Valve is not intended for the constant relief of thermal expansion.

Temperature-Pressure Relief Valve leakage due to pressure build up in a closed system that does not have a thermal expansion tank installed is not covered under the limited warranty. See Commercial Water Heater Limited Warranty Insert.

Thermal expansion tanks must be installed on all closed water systems.

---

#### Smoke/Odor

It is not uncommon to experience a small amount of smoke and odor during the initial start-up. This is due to burning off of oil from metal parts, and will disappear in a short while.

---

#### Replacement Parts

Replacement parts may be ordered from the manufacturer, authorized service agencies or distributors. When ordering parts be sure to have the complete water heater Model Number, Serial Number and Series Number available. This information can be found on the rating label affixed to the water heater.

Refer to the parts list included with the water heater from the factory for more information or contact Technical Support for assistance. See the contact information label on the water heater.

## FAULT AND ALERT CONDITIONS

### Fault Conditions

When the control system shows a Fault condition it will display a Fault message on the control system's UIM with an exclamation "!" mark. The control system will lockout and disable heating operation. To reset the current fault, toggle the Enable/Disable switch on the front of the heater from enable to disable, and then back to enable. If the condition that caused the fault has not been resolved the fault will reappear. The water heater must be serviced by a qualified service agent before operation can be restored.

### Alert Conditions


When the control system declares an Alert condition it will display an Alert message on the control system's LCD with a question "?" mark. The water heater will continue to operate during an Alert condition but the water heater must be serviced by a qualified service agent as soon as possible.

*Verify the power to the water heater is turned off before performing any service procedures. The Enable /Disable switch on front panel disables the gas valve. Electrical supply must be turned off at circuit breaker serving water heater.*

### Resetting Control System Lock Outs

To reset the control system from a lock out condition; turn the power supply off at the breaker for approximately 20 seconds and then back on. Keep in mind; if the condition that caused the Fault has not been corrected, the control system will continue to lock out.

### Diagnostic Checks

<b>WARNING</b>	
<b>Electrical Shock Hazard</b>	
	<p><b>Servicing this water heater exposes you to electrified components that can cause severe injury or death if you touch them.</b></p> <ul style="list-style-type: none"> <li>Turn off power at the branch circuit breaker serving the water heater before performing any service.</li> <li>Label all wires prior to disconnecting when performing service. Wiring errors can cause improper and dangerous operation.</li> <li>Verify proper operation after servicing.</li> </ul>


The following section, **Fault and Alert Messages** (page 88), lists some of the messages the control system will display on the LCD when there are operational problems. This is not a complete list. Along with each of the Fault and Alert messages described there will be a list of possible causes and things to check and repair.

Only qualified service agents, as defined in **Qualifications** (page 8), using appropriate test equipment, should perform any service procedures on the water heater.

**Note:** If you are not qualified and licensed or certified as required by the authority having jurisdiction to perform a given task do not attempt to perform any of the diagnostic or service procedures described in the following section.

If you do not understand the instructions in the following section do not attempt to perform any procedures.

Contact Technical Support for further assistance or to locate a qualified service agent in your area. See the contact information label on the water heater.

<b>WARNING</b>	
<b>Safety Hazard</b>	
	<p><b>Jumping out control circuits or components can result in property damage, personal injury or death.</b></p> <ul style="list-style-type: none"> <li>Service should only be performed by a qualified service technician using proper test equipment.</li> <li>Altering the water heater controls and/or wiring in any way could result in permanent damage to the controls or water heater and is not covered under the limited warranty.</li> <li>Any bypass or alteration of the water heater controls and/or wiring will result in voiding the appliance warranty.</li> </ul>



**Fault and Alert Messages**

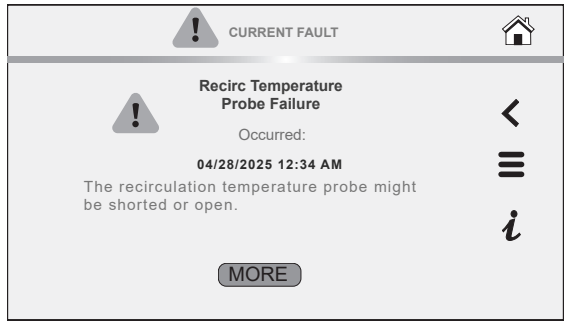
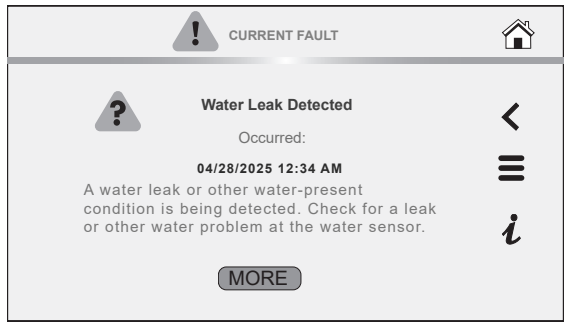

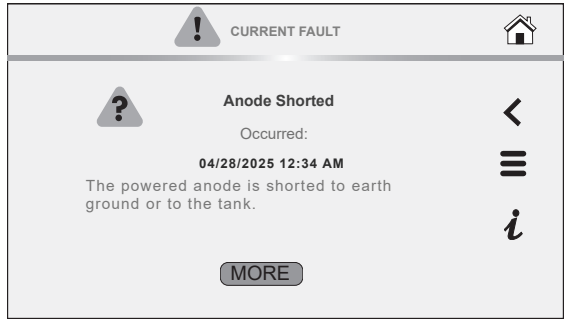
Contact Technical Support for further assistance or to locate a qualified service agent in your area. See the contact-information label on the water heater.

Fault and Alert Messages		
FAULT CODE	Possible Causes - Check/Repair	Displayed Fault/Alert Message
<p>2</p> <p>Data Error Code: (Resideo:131)</p>	<p><b>High Temp Limit Exceeded</b></p> <p>The water heater is shut down due to high tank temperature.</p> <p>The water temperature in the tank has exceeded the high temperature limit.</p> <ol style="list-style-type: none"> <li>1. Use a thermometer at a hot water fixture to confirm the actual water temperature. If temperature is below 180° reset water heater.</li> <li>2. If problem continues, contact technical support or refer to the service handbook for further instructions.</li> </ol>	
<p>3</p> <p>Data Error Code: (3, 30) NTC A short (3, 31) NTC A open (3, 32) NTC B short (3, 33) NTC B open (3,1001) NTC C open (3,1002) NTC C short (3,1018) NTC drift</p>	<p><b>Main Temperature Probe Failure</b></p> <p>The indicated temperature probe might be shorted or open.</p> <p>The control system has detected an issue with the main temperature probe.</p> <ol style="list-style-type: none"> <li>1. Ensure the wire connections for the main temp probe are clean and secure.</li> <li>2. Ensure the wire harness for the main temp probe is free from damages.</li> <li>3. If the problem continues, contact technical support or refer to the service handbook for further instructions.</li> </ol> <p><b>Note:</b> If there are both main and lower temperature probes, the Main Temperature probe is the main temperature probe.</p>	
<p>4</p> <p>Data Error Code: (4,1006) NTC open (4,1007) NTC short</p>	<p><b>Lower Temperature Probe Failure</b></p> <p>The indicated temperature probe might be shorted or open.</p> <p>The control system has detected an issue with the lower temperature probe.</p> <ol style="list-style-type: none"> <li>1. Ensure the wire connections for the lower temp probe are clean and secure.</li> <li>2. Ensure the wire harness for the lower temp probe is free from damages.</li> <li>3. If the problem continues, contact technical support or refer to the service handbook for further instructions.</li> </ol>	
<p>5</p> <p>Data Error Code: (3,10xx) where xx = 5,9,13 or 17</p>	<p><b>Software Failure</b></p> <p>Internal control failures are detected on TRC. Cycle power to the water heater.</p> <p>The controls system has detected a software issue.</p> <ol style="list-style-type: none"> <li>1. Cycle the main power supply to the water heater by turning off the breaker/disconnect, then wait approximately 30 seconds and turn main power supply back on.</li> <li>2. If problem continues, contact Technical Support or refer to the service handbook for further instructions.</li> </ol>	



Fault and Alert Messages		
FAULT CODE	Possible Causes - Check/Repair	Displayed Fault/Alert Message
<p>6</p> <p>(6,10xx) where xx = 4, 8, 12 or 16</p> <p>OR</p> <p>(6,80xx) where xx = 1-10</p>	<p><b>Hardware Failure</b></p> <p>Internal control failures are detected on the TRC. Cycle power to the water heater.</p> <p>The controls system has detected a hardware issue.</p> <ol style="list-style-type: none"> <li>1. Cycle the main power supply to the water heater by turning off the breaker/disconnect, then wait approximately 30 seconds and turn main power supply back on.</li> <li>2. If problem continues, contact Technical Support or refer to the service handbook for further instructions.</li> </ol>	
<p>9</p> <p>Data Error Code: 22</p>	<p><b>Power Supply Fault</b></p> <p>The Control System is detecting a problem with the incoming power supply.</p> <ol style="list-style-type: none"> <li>1. Cycle the main power supply to the heater by turning off the breaker/disconnect, then wait approximately 30 seconds and turn main power supply back on.</li> <li>2. If problem continues, contact technical support or refer to the service handbook for further instructions.</li> </ol>	
<p>20</p> <p>Data Error Code: (20,0)</p>	<p><b>Communication Failure</b></p> <p>Communications between the display and the TRC is lost.</p> <p>The control system has lost communications with UIM.</p> <ol style="list-style-type: none"> <li>1. Cycle the main power supply to the heater by turning off the breaker/disconnect, then wait approximately 30 seconds and turn main power supply back on.</li> <li>2. Inspect the communication cable between the UIM and the TRC to ensure the cable is not damaged and the connections are clean and secure.</li> <li>3. If problem continues, contact technical support, or refer to the service handbook for further instructions.</li> </ol>	
<p>25</p> <p>Data Error Code: (4,1010) NTC open (4,1011) NTC short</p>	<p><b>Flue Gas Temperature Probe Failure</b></p> <p>The flue gas temperature probe might be shorted or open.</p> <p>The control system has detected an issue with the flue gas temperature probe.</p> <ol style="list-style-type: none"> <li>1. Cycle the main power supply to the heater by turning off the breaker/disconnect, then wait approximately 30 seconds and turn main power supply back on.</li> <li>2. If problem continues, contact technical support for further instructions.</li> </ol>	

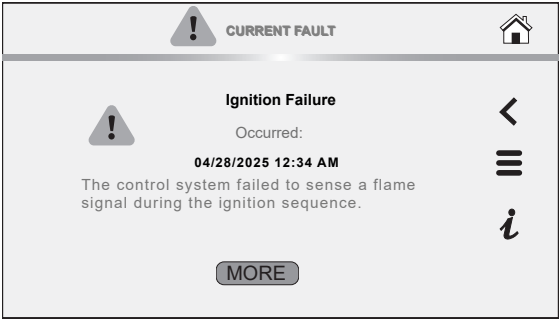
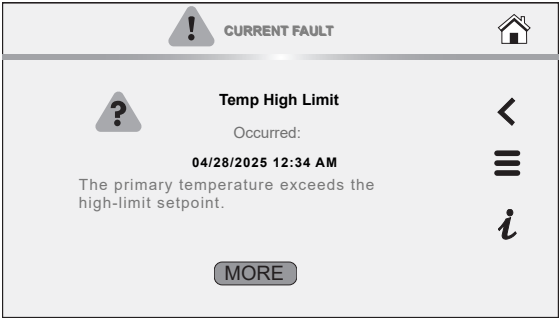



Fault and Alert Messages		
FAULT CODE	Possible Causes - Check/Repair	Displayed Fault/Alert Message
<p>26</p> <p>Data Error Code: (4,1014) NTC open (4,1015) NTC short</p>	<p><b>Recirc Temperature Probe Failure</b></p> <p>The recirculation temperature probe might be shorted or open.</p> <p>The control system has detected an issue with the recirc temperature probe.</p> <ol style="list-style-type: none"> <li>1. Cycle the main power supply to the heater by turning off the breaker/disconnect, then wait approximately 30 seconds and turn main power supply back on.</li> <li>2. If problem continues, contact technical support for further instructions.</li> </ol>	
<p>31</p> <p>Data Error Code: (31,7002) or (31, 7003) or (31, 7004)</p>	<p><b>Water Leak Detected</b></p> <p>A water leak or other water-present condition is being detected. Check for a leak or other water problem at the water sensor.</p> <p>The control system has detected a leak near the heater.</p> <ol style="list-style-type: none"> <li>1. Inspect the area around the heater for signs of moisture.</li> <li>2. Inspect all threaded fittings connected to the water heater for signs of moisture.</li> <li>3. Inspect the exhaust elbow connection to the heater for signs of moisture.</li> <li>4. Inspect the cleanout cover for signs of moisture.</li> <li>5. Using litmus strips for pH testing to identify if the moisture is condensate or water from the tank.</li> <li>6. Condensation from the exhaust will be highly acidic.</li> <li>7. If problem continues, contact technical support for further instructions.</li> </ol>	
<p>32</p> <p>Data Error Code: (32, 7001)</p>	<p><b>Leak Sensor Disconnected</b></p> <p>The leak sensor is no longer being detected by the controller.</p> <p>The control system has detected that the leak detector has been disconnected.</p> <ol style="list-style-type: none"> <li>1. Ensure the leak detector is securely connected to the water heater.</li> <li>2. Ensure the leak detector harness is securely connected to the TRC at terminal J6 pins 1 and 11.</li> <li>3. If problem continues, contact technical support for further instructions.</li> </ol>	
<p>33</p> <p>Data Error Code: (33, 60x7) where x = 0 is on TRC board anode circuit. x = 1 is CPAM 1, x = 2 is CPAM 2 etc.</p>	<p><b>Anode Shorted</b></p> <p>The powered anode is shorted to earth ground or to the tank.</p> <p>The Control System has detected that the anode rod has shortage to the tank.</p> <ol style="list-style-type: none"> <li>1. Inspect anode wire connection for corrosion, moisture, or other contaminants.</li> <li>2. Ensure wire connection on both ends is secure.</li> <li>3. Ensure anode wire harness is not damaged.</li> <li>4. If problem continues, contact technical support for further instructions.</li> </ol>	



Fault and Alert Messages		
FAULT CODE	Possible Causes - Check/Repair	Displayed Fault/Alert Message
<p>34</p> <p>Data Error Code: (34, 60x4) where x = 0 is on TRC board anode circuit. x = 1 is CPAM 1, x = 2 is CPAM 2 etc.</p>	<p><b>No Water</b></p> <p>No water is detected by the powered anode.</p> <p>The Control System is not detecting water in the tank.</p> <ol style="list-style-type: none"> <li>1. Ensure there is water in the tank by following Fill the Tank Instructions found in the installation manual.</li> <li>2. Inspect anode wire connection for corrosion, moisture, or other contaminants.</li> <li>3. Ensure wire connection on both ends is secure.</li> <li>4. Ensure anode wire harness is not damaged.</li> <li>5. If problem continues, contact technical support for further instructions.</li> </ol>	
<p>36</p> <p>Data Error Code: 244 (36, 2440x) where x = 1 to 9 are reason codes.</p>	<p><b>Weak Flame Signal</b></p> <p>The Combustion Safety Control (CSC) is detecting low-flame generated current.</p> <p>The control system has detected a weak flame signal</p> <ol style="list-style-type: none"> <li>1. Ensure that the flame sensor wire harness is free of damages</li> <li>2. Ensure that the flame sensor wire connection on both ends is secure and free of contaminants</li> <li>3. Remove flame sensor and inspect for contaminants or damages in ceramic insulator</li> <li>4. Clean flame sensor rod with steel wool</li> <li>5. If the problem continues, contact technical support, or refer to the service handbook for further instructions</li> </ol>	
<p>37</p> <p>Data Error Code: 2, 130 (37, 2) Or (37, 130)</p>	<p><b>Flame Sensor Error</b></p> <p>The control system has detected a flame sensor error.</p> <p>The flame-sense rod is detecting a flame signal when the gas valve is supposed to be off.</p> <p>The control system has detected a flame sensor error.</p> <ol style="list-style-type: none"> <li>1. Ensure that the flame sensor wire harness is free of damages.</li> <li>2. Ensure that the flame sensor wire connection on both ends is secure and free of contaminants.</li> <li>3. Remove flame sensor and inspect for contaminants or damages in ceramic insulator.</li> <li>4. Clean flame sensor rod with steel wool.</li> <li>5. If the problem continues, contact technical support, or refer to the service handbook for further instructions.</li> </ol>	



Fault and Alert Messages		
FAULT CODE	Possible Causes - Check/Repair	Displayed Fault/Alert Message
<p>38</p> <p>(Resideo 129, 147, 241) or 38</p> <p>Data Error Code: (38, 129) or (38, 147) or (38, 241) or (38, 38)</p>	<p><b>Ignition Failure</b></p> <p>The control system failed to sense a flame signal during the ignition sequence.</p> <p>The control system failed to sense a flame signal during the ignition sequence</p> <ol style="list-style-type: none"> <li>1. Verify that the gas supply, venting, and intake air pipes are installed according to the instruction manual provided with the water heater.</li> <li>2. If the problem continues, contact technical support, or refer to the service handbook for further instructions.</li> </ol>	 <p>The screenshot shows a 'CURRENT FAULT' alert titled 'Ignition Failure'. It includes a warning icon, the text 'Occurred: 04/28/2025 12:34 AM', and the description 'The control system failed to sense a flame signal during the ignition sequence.' There is a 'MORE' button and navigation icons (back, menu, info, home).</p>
<p>41</p> <p>Data Error Code: (41, 1003)</p>	<p><b>High Temperature Warning</b></p> <p>The main temperature probe exceeds 190°F.</p> <p>The water temperature in the tank has exceeded the high temperature warning temperature. the warning will reset when tank temperature drops below 180°F.</p> <ol style="list-style-type: none"> <li>1. Reset the water heater by toggling the Enable/Disable switch to disable and back to enable.</li> <li>2. If the problem continues, use a thermometer at a hot water fixture to confirm the water temperature.</li> <li>3. If the problem continues, contact technical support or refer to the service handbook for further instructions.</li> </ol>	 <p>The screenshot shows a 'CURRENT FAULT' alert titled 'Temp High Limit'. It includes a warning icon with a question mark, the text 'Occurred: 04/28/2025 12:34 AM', and the description 'The primary temperature exceeds the high-limit setpoint.' There is a 'MORE' button and navigation icons (back, menu, info, home).</p>
<p>42</p>	<p><b>Clock Not Set</b></p> <p>Clock (time and date) are not set.</p> <p>Check the iComm connection (if equipped) and reconnect for automatic calendar updates.</p> <p>The control system recognized that the clock is not set.</p> <ol style="list-style-type: none"> <li>1. Refer to the installation manual for instructions on how to set the clock.</li> <li>2. If the problem continues, contact technical support for further instructions.</li> </ol>	 <p>The screenshot shows a 'CURRENT FAULT' alert titled 'Clock Not Set'. It includes a warning icon with a question mark, the text 'Occurred: 09/08/2020 12:34 AM', and the description 'Clock (time and date) are not set.' There is a 'MORE' button and navigation icons (back, menu, info, home).</p>



Fault and Alert Messages		
FAULT CODE	Possible Causes - Check/Repair	Displayed Fault/Alert Message
<p>201</p> <p>Data Error Code: 71 (201, 71)</p>	<p><b>Blocked Air Intake</b></p> <p>There is a restriction in the air intake. Check the intake pipe and termination for blockage.</p> <p>The control system has detected a blockage in the intake air pipe.</p> <ol style="list-style-type: none"> <li>1. Ensure that the intake air pipe installed according to the manufacturer’s installation manual.</li> <li>2. Ensure that all horizontal pipe runs are properly sloped to prevent moisture from accumulating and restricting air flow.</li> <li>3. Inspect the inside of the intake air pipe from the connection at the blower, all the way to the outside termination for restrictions.</li> <li>4. Inspect the plastic sensing tube to the blocked intake air pressure switch to ensure there are no restrictions.</li> <li>5. Ensure the blocked intake air pressure switch wires are free from damages and contaminates.</li> <li>6. Ensure wire connections are secure and free from contaminates.</li> <li>7. If problem continues, contact technical support, or refer to the service handbook for further instructions.</li> </ol>	
<p>202</p> <p>Data Error Code: 70 (202, 70)</p>	<p><b>Blocked Exhaust</b></p> <p>There is a restriction in exhaust pipe. Check exhaust pipe and termination for blockage.</p> <p>The control system has detected a blockage in the exhaust vent pipe.</p> <ol style="list-style-type: none"> <li>1. Ensure that the exhaust vent pipe installed according to the manufacturer’s installation manual.</li> <li>2. Ensure that all horizontal pipe runs are properly sloped to prevent moisture from accumulating and restricting air flow.</li> <li>3. Inspect the inside of the exhaust vent pipe from the water heater connection all the way to the outside termination for restrictions.</li> <li>4. Inspect the plastic sensing tube to the blocked exhaust pressure switch to ensure there are no restrictions.</li> <li>5. Ensure the blocked exhaust pressure switch wires are free from damages and contaminates.</li> <li>6. Ensure wire connections are secure and free from contaminates.</li> <li>7. If problem continues, contact technical support, or refer to the service handbook for further instructions.</li> </ol>	
<p>205</p> <p>Data Error Code: (205,200x) Where: x=2 if the key is uninitialized x=3 if key configuration is corrupt.</p>	<p><b>Software and FMM Incompatible</b></p> <p>The TRC version is older than the TRC version stored in key.</p> <p>The control system has detected a device that is incompatible</p> <ol style="list-style-type: none"> <li>1. Contact Technical Support for further instructions.</li> </ol>	



Fault and Alert Messages		
FAULT CODE	Possible Causes - Check/Repair	Displayed Fault/Alert Message
<p>206</p> <p>Data Error Code: (206, 2011)</p>	<p><b>CPAM Disconnected</b></p> <p>Communication with the anode module has been lost.</p> <p>The control system has detected that the CPAM is disconnected</p> <ol style="list-style-type: none"> <li>1. Ensure CPAM is powered</li> <li>2. Ensure wire connections are secure and free of contaminants</li> <li>3. Ensure wire harness is free of damages</li> <li>4. If problem continues, contact technical support or refer to the service handbook for further instructions</li> </ol>	
<p>207</p> <p>Data Error Code: (207, 35)</p>	<p><b>CSC Disconnected</b></p> <p>The control system has detected that the CSC is disconnected.</p> <ol style="list-style-type: none"> <li>1. Ensure the communication cable is securely connected between the TRC on terminal J4 and the CSC on terminal X10.</li> <li>2. If problem continue, contact technical support for further instructions.</li> </ol>	
<p>209</p> <p>Data Error Code: (209, 2013)</p>	<p><b>Water Valve Module Disconnected</b></p> <p>Communication with the water valve module has been lost.</p> <p>The control system has detected that the Vavle Module is disconnected.</p> <ol style="list-style-type: none"> <li>1. Ensure Valve module is powered.</li> <li>2. Ensure wire connections are secure and free of contaminants.</li> <li>3. Ensure wire harness is free of damages.</li> <li>4. If problem continues, contact technical support or refer to the service handbook for further instructions.</li> </ol>	
<p>210</p> <p>Data Error Code: (210, 35)</p>	<p><b>Auto Test Complete</b></p> <p>Cycle Main Power to water heater. If problem continues, contact technical support for further instructions.</p>	



Fault and Alert Messages		
FAULT CODE	Possible Causes - Check/Repair	Displayed Fault/Alert Message
<p>211</p> <p>Data Error Code: (211, 133)</p>	<p><b>No Blower Speed Feedback</b></p> <p>The control system has not detected the correct feedback from the blower when a command was sent to the blower to operate.</p> <ol style="list-style-type: none"> <li>1. Ensure both wire connections to the blower and to the control system is secure and free of contaminates.</li> <li>2. Ensure the wire harnesses are free from damages.</li> <li>3. If problem continue, contact technical support, or refer to the service handbook for further instructions.</li> </ol>	
<p>212</p> <p>Data Error Code: (212, xxx) where xxx - 142, 143, 144 or 146</p>	<p><b>Main Temperature Probe Failure</b></p> <p>The control system has detected an issue with the main temperature probe.</p> <p>The control system has detected an issue with the main temperature probe.</p> <ol style="list-style-type: none"> <li>1. Ensure the wire connections for the main temp probe are clean and secure.</li> <li>2. Ensure the wire harness for the main temp probe is free from damages.</li> <li>3. If the problem continues, contact technical support or refer to the service handbook for further instructions.</li> </ol>	
<p>213</p> <p>Data Error Code: (213, 136) or (213, 243)</p>	<p><b>Hardware Failure</b></p> <p>The control system has detected a flame sensor error.</p> <ol style="list-style-type: none"> <li>1. Ensure that the flame sensor wire harness is free of damages.</li> <li>2. Ensure that the flame sensor wire connection on both ends is secure and free of contaminates.</li> <li>3. Remove flame sensor and inspect for contaminates or damages in ceramic insulator.</li> <li>4. Clean flame sensor rod with steel wool.</li> <li>5. If the problem continues, contact technical support, or refer to the service handbook for further instructions.</li> </ol>	
<p>214</p> <p>Data Error Code: (214, xxx) where xxx =149, 153, 155 or 157</p>	<p><b>Software Failure</b></p> <p>The CSC has detected a software issue.</p> <ol style="list-style-type: none"> <li>1. Cycle the main power supply to the water heater by turning off the breaker/disconnect, then wait approximately 30 seconds and turn main power supply back on.</li> <li>2. If problem continues, contact Technical Support or refer to the service handbook for further instructions.</li> </ol>	



Fault and Alert Messages		
FAULT CODE	Possible Causes - Check/Repair	Displayed Fault/Alert Message
<p>215</p> <p>Data Error Code: (215, 2400x) where x is the failed calibration reason described in the service handbook.</p>	<p><b>Calibration Error</b></p> <p>The CSC has detected a calibration error.</p> <ol style="list-style-type: none"> <li>1. The CSC has detected a software issue.</li> <li>2. Cycle the main power supply to the water heater by turning off the breaker/disconnect, then wait approximately 30 seconds and turn main power supply back on.</li> <li>3. If problem continues, contact Technical Support or refer to the service handbook for further instructions.</li> </ol>	
<p>216</p> <p>Data Error Code: (216, 137)</p>	<p><b>Gas Valve Circuit Fault</b></p> <p>The control system has detected a fault with the Gas Valve Circuit.</p> <ol style="list-style-type: none"> <li>1. Ensure wire connections on both ends are secure and free of contaminants.</li> <li>2. Ensure wire harness is not damaged.</li> <li>3. If problem continues, contact technical support, or refer to the service handbook for further instructions.</li> </ol>	
<p>217</p> <p>Data Error Code: (217, 242)</p>	<p><b>MDT Fault</b></p> <p>The control system has detected a fault with the Motor Driven Throttle (MDT).</p> <ol style="list-style-type: none"> <li>1. Ensure wire connections on both ends are secure and free of contaminants.</li> <li>2. Ensure wire harness is not damaged.</li> <li>3. If problem continues, contact technical support, or refer to the service handbook for further instructions.</li> </ol>	
<p>218</p> <p>Data Error Code: (209, 2014)</p>	<p><b>BMS Module Disconnected</b></p> <p>Communication with the BMS module has been lost.</p> <p>The control system has detected that the BMS is disconnected.</p> <ol style="list-style-type: none"> <li>1. Ensure BMS module is powered.</li> <li>2. Ensure wire connections are secure and free of contaminants.</li> <li>3. Ensure wire harness is free of damages.</li> <li>4. If problem continues, contact technical support or refer to the service handbook for further instructions.</li> </ol>	



Fault and Alert Messages		
FAULT CODE	Possible Causes - Check/Repair	Displayed Fault/Alert Message
219	<p>The central control board (TRC) is detecting low-resistance or a short to earth ground or the tank.</p> <p>Possible Causes:</p> <ol style="list-style-type: none"> <li>1. Water at anode area.</li> <li>2. Contamination (solder, Loctite, WD40 etc.) between the anode top and the surrounding metal.</li> <li>3. Sediment build up with a possible bridge to tank.</li> <li>4. A loose anode wire touching the tank.</li> <li>5. A bent anode shorting to the tank or an element.</li> </ol>	
220	<p>Cycle the main power to the unit off and then on.</p> <p>The commercial power anode module (CPAM) needs to be replaced.</p>	
221 Data Error Code: 13	<p><b>Reset Lockout</b></p> <p>The control system has detected a Reset Lockout</p> <ol style="list-style-type: none"> <li>1. Cycle the main power to the water heater.</li> <li>2. If problem continues, contact technical support, or refer to the service handbook for further instructions.</li> </ol>	
222 Data Error Code: (222, 2001)	<p><b>FMM Missing</b></p> <p>The control system has detected that the Flex Memory Module (FMM) is either missing or disconnected.</p> <ol style="list-style-type: none"> <li>1. Ensure the wire connections are secure and free of contaminates.</li> <li>2. Ensure wire connection at terminal J2 on the TRC is secure.</li> <li>3. Ensure all wire harnesses are free from damages.</li> <li>4. Cycle the main power to the water heater.</li> <li>5. If problem continues, contact technical support for further instructions.</li> </ol>	



Fault and Alert Messages		
FAULT CODE	Possible Causes - Check/Repair	Displayed Fault/Alert Message
<p>223</p> <p>Data Error Code: (223, 2006)</p>	<p><b>Missing Display</b></p> <p>The display was found to be missing.</p> <p>The control system has detected that the User Interface Module (UIM) is either missing or disconnected.</p> <ol style="list-style-type: none"> <li>1. Ensure the wire connections are secure and free of contaminates.</li> <li>2. Ensure wire connection at terminal J2 on the TRC is secure.</li> <li>3. Ensure all wire harnesses are free from damages.</li> <li>4. Cycle the main power to the water heater.</li> <li>5. If problem continues, contact technical support for further instructions.</li> </ol>	
<p>224</p> <p>Data Error Code: (224, 2005)</p>	<p><b>TRC Software or Hardware Is Old</b></p> <p>The control system has detected that the Software or Hardware Version on the TRC is outdated.</p> <p>The control system has detected that the Software or Hardware Version on the TRC is outdated.</p> <ol style="list-style-type: none"> <li>1. Typically caused by replacing control system components with an older revision software.</li> <li>2. Contact technical support for further instructions.</li> </ol>	
<p>225</p> <p>(225, 2007)</p>	<p><b>Display software or hardware is old.</b></p> <p>The control system has detected that the Software Hardware Version on the UIM is outdated.</p> <ol style="list-style-type: none"> <li>1. Typically caused by replacing control system components with an older revision software.</li> <li>2. Contact technical support for further instructions.</li> </ol>	
<p>226</p> <p>(226, 60xy) where x = 0 is on TRC board anode circuit. x = 1 is CPAM 1, x = 2 is CPAM 2 etc. y = 1, 2, 3, 5, 6 or 8)</p>	<p><b>Powered Anode Circuit Failure</b></p> <p>The control system has detected a failure with the Powered Anode Circuit.</p> <ol style="list-style-type: none"> <li>1. Cycle main power to the water heater.</li> <li>2. Contact technical support for further instructions.</li> </ol>	



Fault and Alert Messages		
FAULT CODE	Possible Causes - Check/Repair	Displayed Fault/Alert Message
227 (227, 4001)	<p><b>FMM Incompatible</b></p> <p>The control system has detected that the Software Version on the Flex Memory Module (FMM) is outdated.</p> <p>The control system has detected that the Software Version on the Flex Memory Module (FMM) is outdated</p> <ol style="list-style-type: none"> <li>Typically caused by replacing control system components with an older revision software</li> <li>Contact technical support for further instructions</li> </ol>	
228 (228, 2015)	<p><b>User Setpoints Error Detected</b></p> <p>Data corruption of user adjustable setpoints led to factory reset of default values.</p> <p>Toggle the Enable/Disable switch to Diable, wait 30 seconds and toggle back to Enable to clear fault and readjust setpoints.</p>	



# DIAGRAMS

## WIRING DIAGRAMS

### Circulation Pump Wiring Diagrams

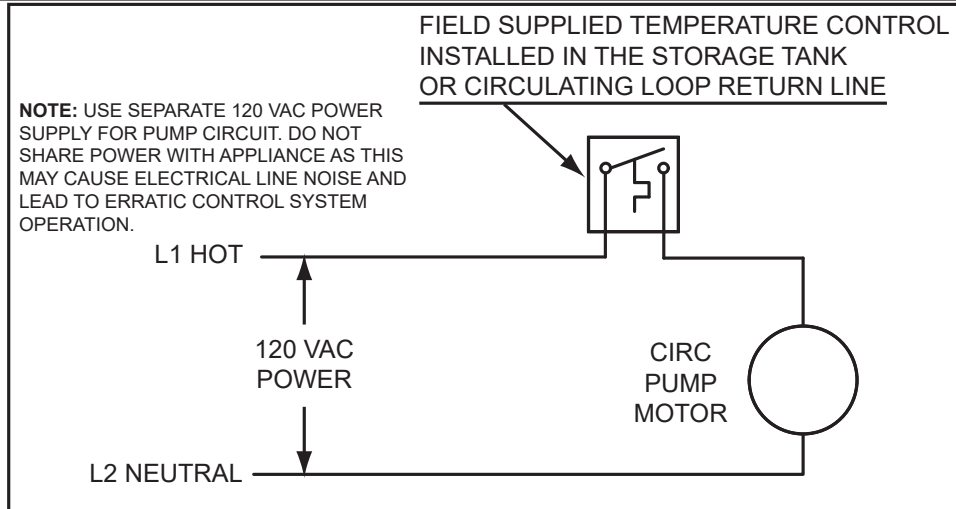


Figure 72. Circulating Pump Wiring Diagram - Storage Tank or Building Recirculation

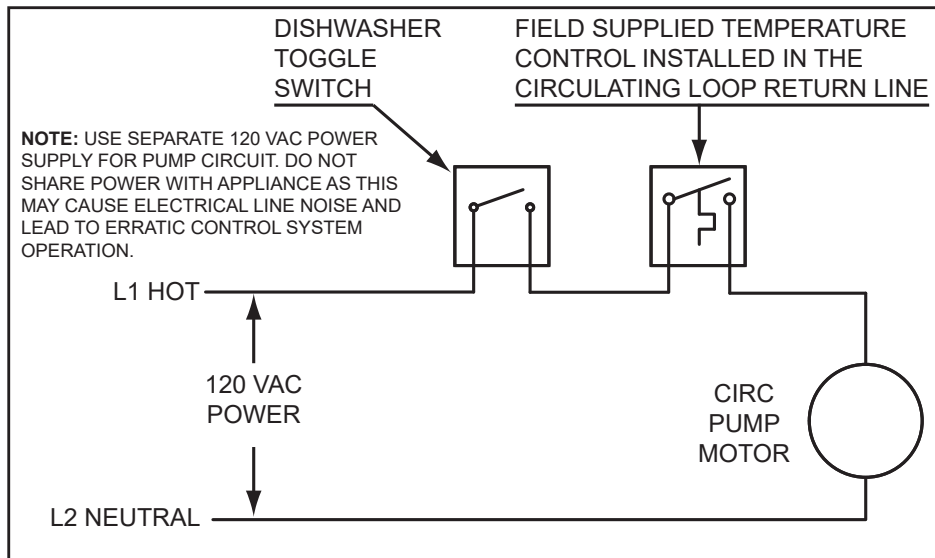


Figure 73. Circulating Pump Wiring Diagram - Dishwasher Loop Toggle Switch



Control Circuit Diagrams

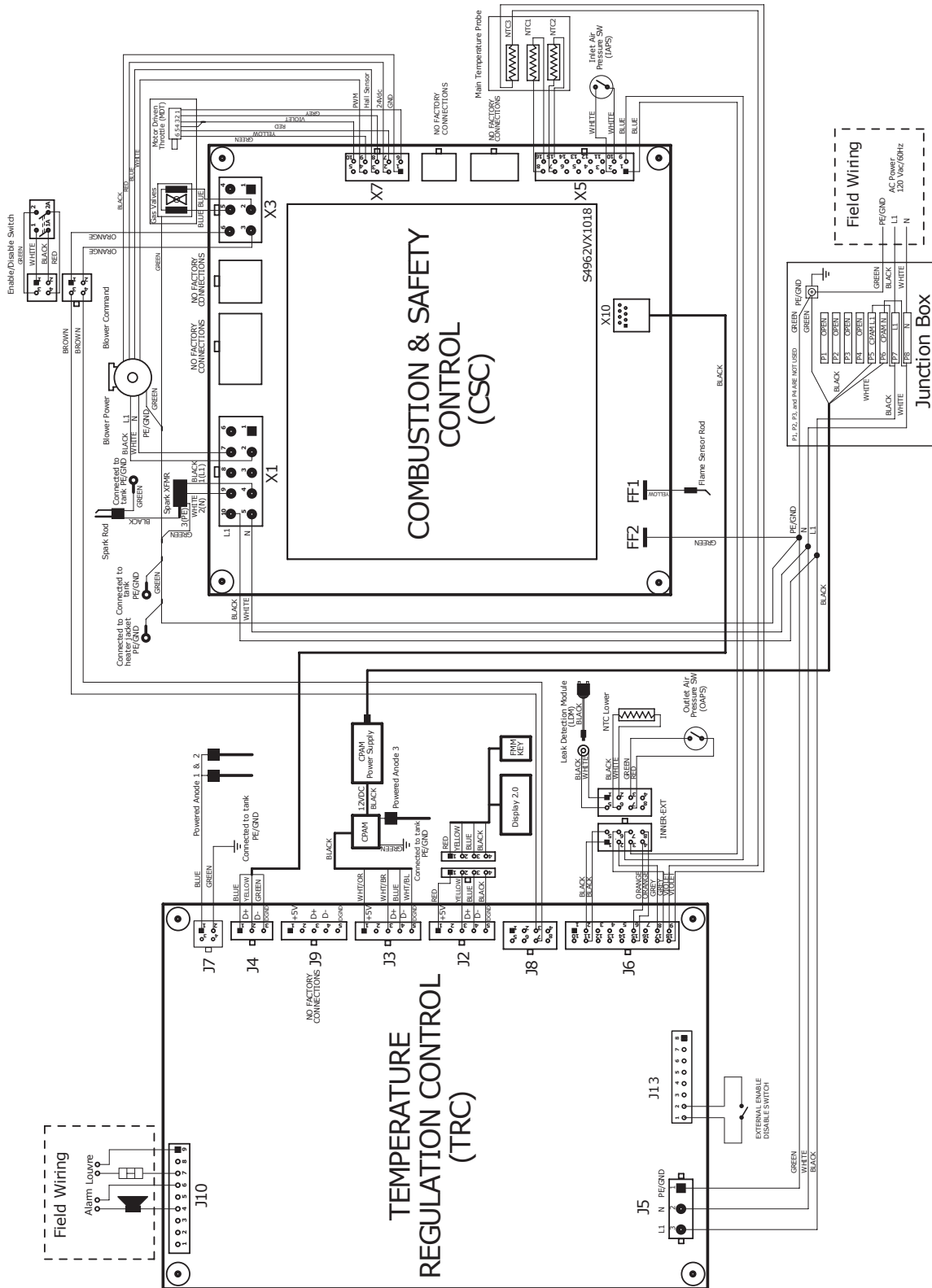


Figure 74. Wiring Diagram



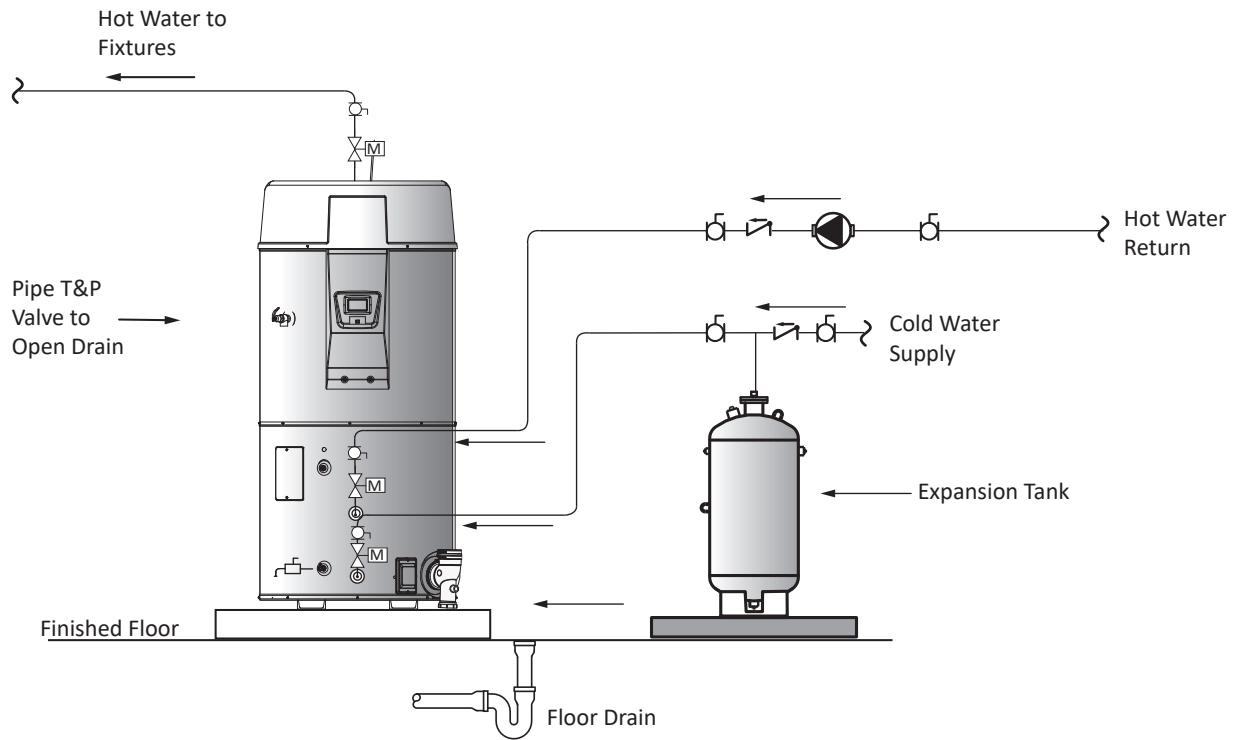
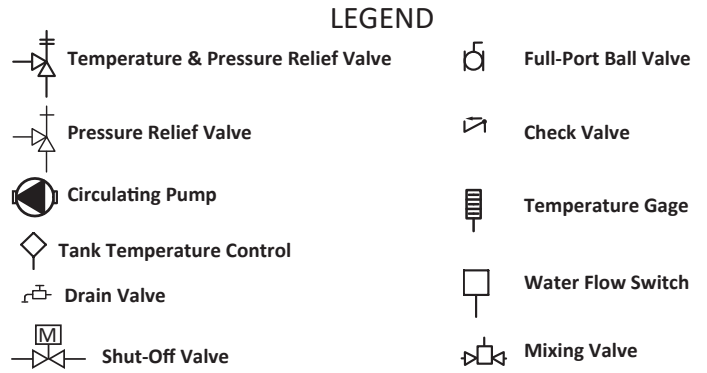
**PIPING DIAGRAMS**

**One Water Heater, Single Temperature with Building Recirculation**

1. Before installation of water piping review the following:
2. See *Mixing Valves* (page 21).
3. See *Dish-washing Machines* (page 21).
4. See *Temperature-Pressure Relief Valve* (page 22).
5. See *Closed Water Systems* (page 21) and *Thermal Expansion* (page 22).
6. See *Water Line Connections* (page 53).
7. If a pump is being installed between a water heater and storage tank or on a building recirculation loop wire according to *Figure 72* (page 100).
8. If a pump is being installed in a recirculation loop between the water heater and a commercial dishwasher wire according to *Figure 73* (page 100).

**WARNING:** THIS DRAWING SHOWS A SUGGESTED PIPING CONFIGURATION AND OTHER DEVICES. CHECK WITH LOCAL CODES AND ORDINANCES FOR ADDITIONAL REQUIREMENTS.

ANY MATERIAL, COMPONENT, OR VENDOR CHANGE MUST HAVE PRIOR APPROVAL BY THE APPLICABLE PRODUCT ENGINEERING DEPARTMENT.



**NOTES:**

1. Preferred piping diagram.
2. The temperature and pressure relief valve setting shall not exceed pressure rating of any component in the system.
3. Service valves are shown for servicing unit. However, local codes shall govern their usage.
4. Ensure that any installed recirculation system does not bypass or interfere in any way with shut-off valves.



### One Water Heater, Two Temperatures with High-Temperature Loop Recirculation with Building Recirculation












Before installation of water piping review the following:

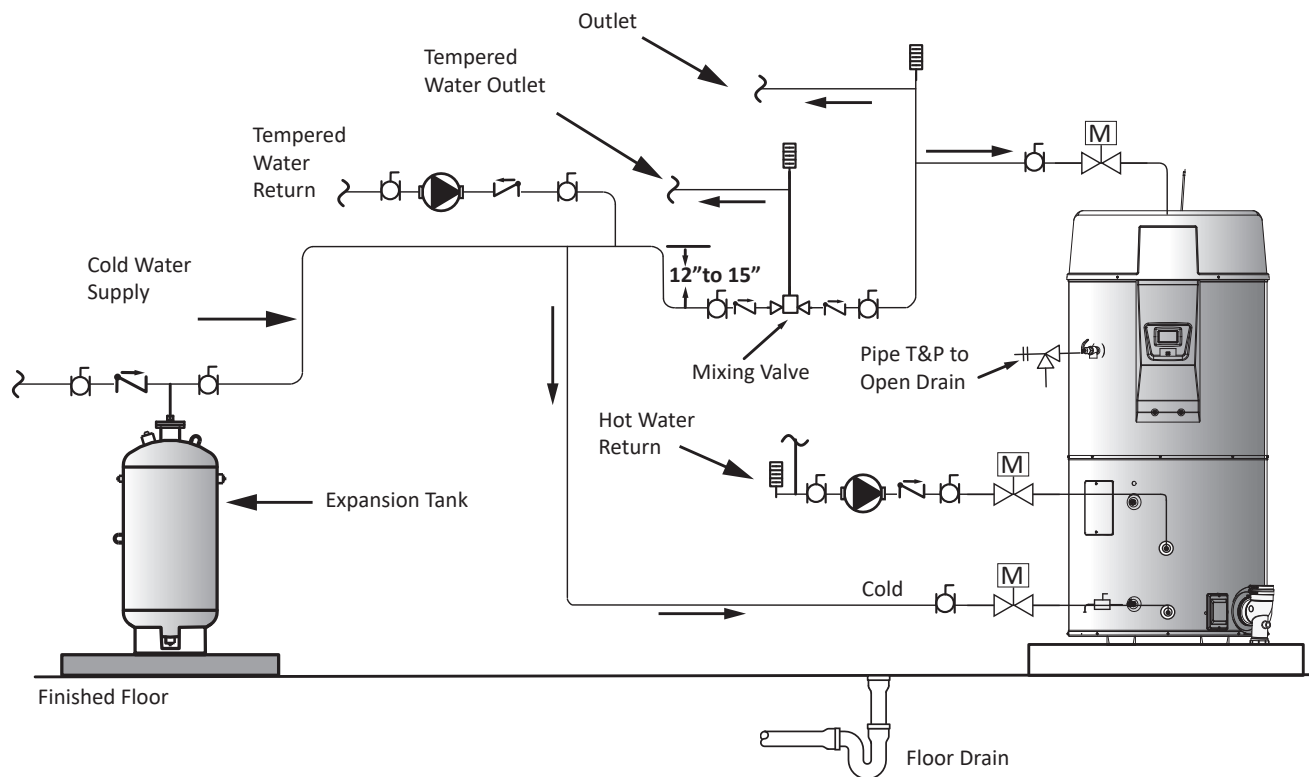
1. See **Mixing Valves** (page 21).
2. See **Dish-washing Machines** (page 21).
3. See **Temperature-Pressure Relief Valve** (page 22).
4. See **Closed Water Systems** (page 21) and **Thermal Expansion** (page 22).
5. See **Water Line Connections** (page 53).
6. If a pump is being installed between a water heater and storage tank or on a building recirculation loop wire according to **Figure 72** (page 100).
7. If a pump is being installed in a recirculation loop between the water heater and a commercial dishwasher wire according to **Figure 73** (page 100).

**WARNING: THIS DRAWING SHOWS A SUGGESTED PIPING CONFIGURATION AND OTHER DEVICES. CHECK WITH LOCAL CODES AND ORDINANCES FOR ADDITIONAL REQUIREMENTS.**

**ANY MATERIAL, COMPONENT, OR VENDOR CHANGE MUST HAVE PRIOR APPROVAL BY THE APPLICABLE PRODUCT ENGINEERING DEPARTMENT.**

#### LEGEND

	Temperature & Pressure Relief Valve		Full-Port Ball Valve
	Pressure Relief Valve		Check Valve
	Circulating Pump		Temperature Gage
	Tank Temperature Control		Water Flow Switch
	Drain Valve		Mixing Valve
	Shut-Off Valve		



#### NOTES:

1. Preferred piping diagram.
2. The temperature and pressure relief valve setting shall not exceed pressure rating of any component in the system.
3. Service valves are shown for servicing unit. However, local codes shall govern their usage.
4. Ensure that any installed recirculation system does not bypass or interfere in any way with shut-off valves.

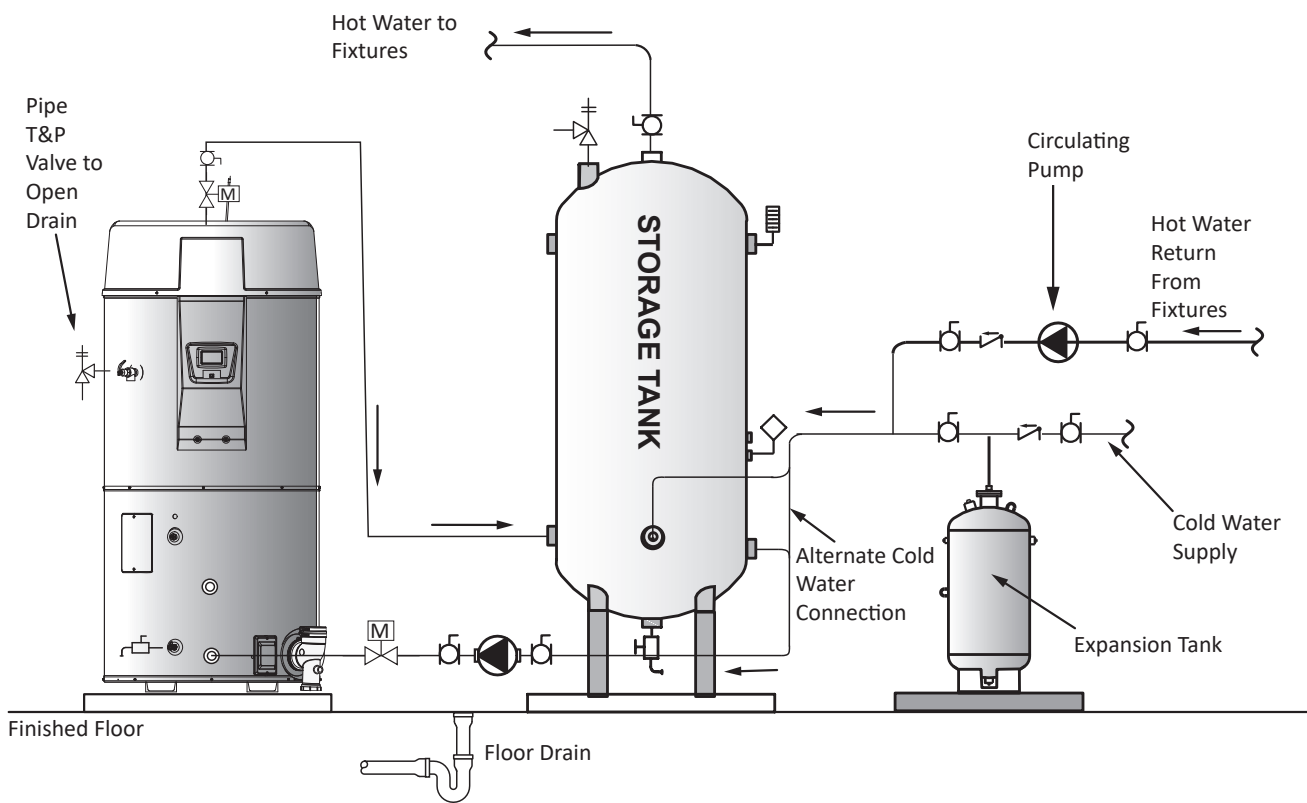
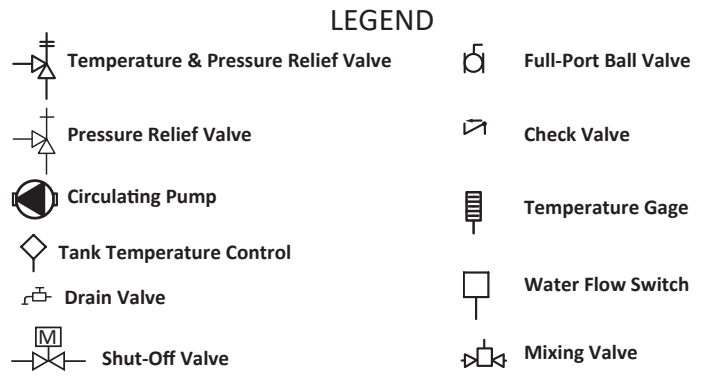
**One Water Heater, Single Temperature with Vertical Storage Tank Forced Recirculation with Building Recirculation**

Before installation of water piping review the following:

1. See *Mixing Valves* (page 21).
2. See *Dish-washing Machines* (page 21).
3. See *Temperature-Pressure Relief Valve* (page 22).
4. See *Closed Water Systems* (page 21) and *Thermal Expansion* (page 22).
5. See *Water Line Connections* (page 53).
6. If a pump is being installed between a water heater and storage tank or on a building recirculation loop wire according to *Figure 72* (page 100).
7. If a pump is being installed in a recirculation loop between the water heater and a commercial dishwasher wire according to *Figure 73* (page 100).

**WARNING: THIS DRAWING SHOWS A SUGGESTED PIPING CONFIGURATION AND OTHER DEVICES. CHECK WITH LOCAL CODES AND ORDINANCES FOR ADDITIONAL REQUIREMENTS.**

**ANY MATERIAL, COMPONENT, OR VENDOR CHANGE MUST HAVE PRIOR APPROVAL BY THE APPLICABLE PRODUCT ENGINEERING DEPARTMENT.**



- NOTES:**
1. Preferred piping diagram.
  2. The temperature and pressure relief valve setting shall not exceed pressure rating of any component in the system.
  3. Service valves are shown for servicing unit. However, local codes shall govern their usage.
  4. The tank temperature control should be wired to and control the pump between the water heater(s) and the storage tank(s).
  5. The water heater's operating thermostat should be set 5 degrees F higher than the tank temperature control.
  6. Ensure that any installed recirculation system does not bypass or interfere in any way with shut-off valves.



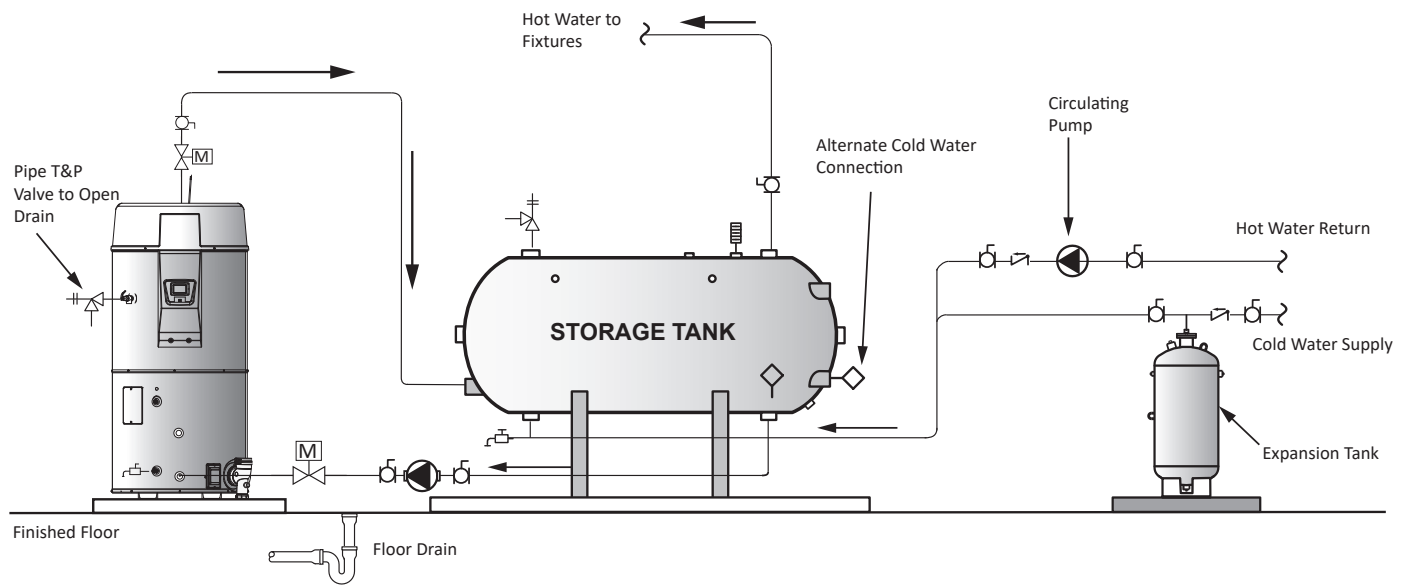
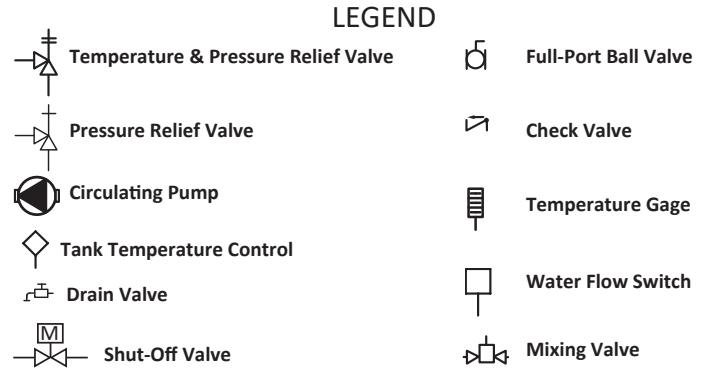
### One Water Heater, Single Temperature with Horizontal Storage Tank, Forced Recirculation with Building Recirculation

Before installation of water piping review the following:

1. See *Mixing Valves* (page 21).
2. See *Dish-washing Machines* (page 21).
3. See *Temperature-Pressure Relief Valve* (page 22).
4. See *Closed Water Systems* (page 21) and *Thermal Expansion* (page 22).
5. See *Water Line Connections* (page 53).
6. If a pump is being installed between a water heater and storage tank or on a building recirculation loop wire according to *Figure 72* (page 100).
7. If a pump is being installed in a recirculation loop between the water heater and a commercial dishwasher wire according to *Figure 73* (page 100).

**WARNING:** THIS DRAWING SHOWS A SUGGESTED PIPING CONFIGURATION AND OTHER DEVICES. CHECK WITH LOCAL CODES AND ORDINANCES FOR ADDITIONAL REQUIREMENTS.

ANY MATERIAL, COMPONENT, OR VENDOR CHANGE MUST HAVE PRIOR APPROVAL BY THE APPLICABLE PRODUCT ENGINEERING DEPARTMENT.



#### NOTES:

1. Preferred piping diagram.
2. The temperature and pressure relief valve setting shall not exceed pressure rating of any component in the system.
3. Service valves are shown for servicing unit. However, local codes shall govern their usage.
4. The tank temperature control should be wired to and control the pump between the water heater(s) and the storage tank(s).
5. The water heater's operating thermostat should be set 5 degrees F higher than the tank temperature control.
6. Ensure that any installed recirculation system does not bypass or interfere in any way with shut-off valves.

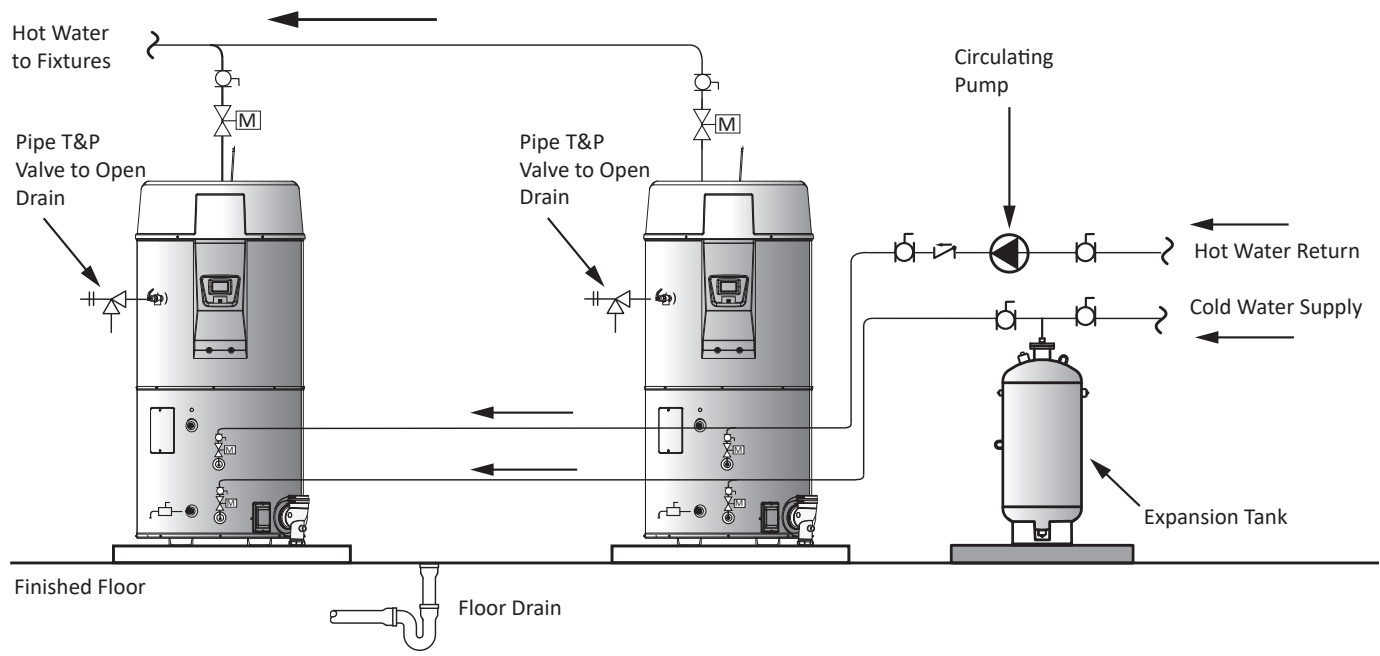
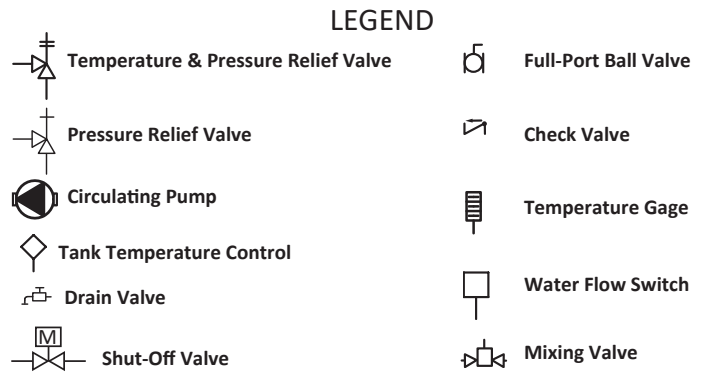
**Two Water Heaters, Single Temperature with Building Recirculation**

Before installation of water piping review the following:

1. See *Mixing Valves* (page 21).
2. See *Dish-washing Machines* (page 21).
3. See *Temperature-Pressure Relief Valve* (page 22).
4. See *Closed Water Systems* (page 21) and *Thermal Expansion* (page 22).
5. See *Water Line Connections* (page 53).
6. If a pump is being installed between a water heater and storage tank or on a building recirculation loop, wire according to *Figure 72* (page 100).
7. If a pump is being installed in a recirculation loop between the water heater and a commercial dishwasher wire according to *Figure 73* (page 100).

**WARNING: THIS DRAWING SHOWS A SUGGESTED PIPING CONFIGURATION AND OTHER DEVICES. CHECK WITH LOCAL CODES AND ORDINANCES FOR ADDITIONAL REQUIREMENTS.**

**ANY MATERIAL, COMPONENT, OR VENDOR CHANGE MUST HAVE PRIOR APPROVAL BY THE APPLICABLE PRODUCT ENGINEERING DEPARTMENT.**



**NOTES:**

1. Preferred piping diagram.
2. The temperature and pressure relief valve setting shall not exceed pressure rating of any component in the system.
3. Service valves are shown for servicing unit. However, local codes shall govern their usage.
4. Ensure that any installed recirculation system does not bypass or interfere in any way with shut-off valves.



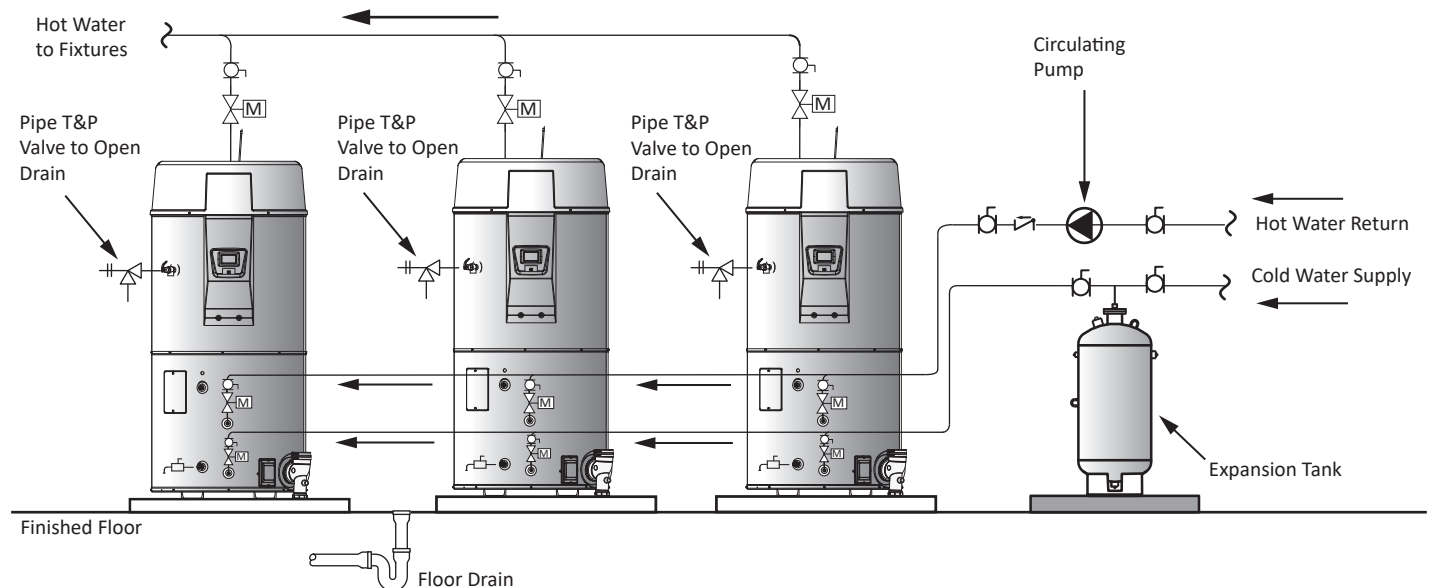
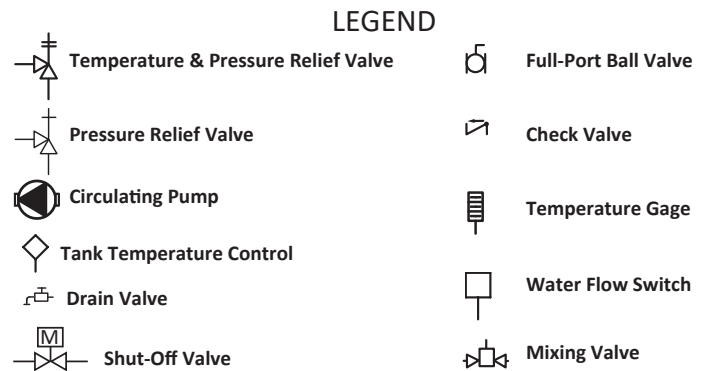
### Three Water Heaters, Single Temperature with Building Recirculation

Before installation of water piping review the following:

1. See *Mixing Valves* (page 21).
2. See *Dish-washing Machines* (page 21).
3. See *Temperature-Pressure Relief Valve* (page 22).
4. See *Closed Water Systems* (page 21) and *Thermal Expansion* (page 22).
5. See *Water Line Connections* (page 53).
6. If a pump is being installed between a water heater and storage tank or on a building recirculation loop wire according to *Figure 72* (page 100).
7. If a pump is being installed in a recirculation loop between the water heater and a commercial dishwasher wire according to *Figure 73* (page 100).

**WARNING:** THIS DRAWING SHOWS A SUGGESTED PIPING CONFIGURATION AND OTHER DEVICES. CHECK WITH LOCAL CODES AND ORDINANCES FOR ADDITIONAL REQUIREMENTS.

ANY MATERIAL, COMPONENT, OR VENDOR CHANGE MUST HAVE PRIOR APPROVAL BY THE APPLICABLE PRODUCT ENGINEERING DEPARTMENT.



#### NOTES:

1. Preferred piping diagram.
2. The temperature and pressure relief valve setting shall not exceed pressure rating of any component in the system.
3. Service valves are shown for servicing unit. However, local codes shall govern their usage.
4. Ensure that any installed recirculation system does not bypass or interfere in any way with shut-off valves.

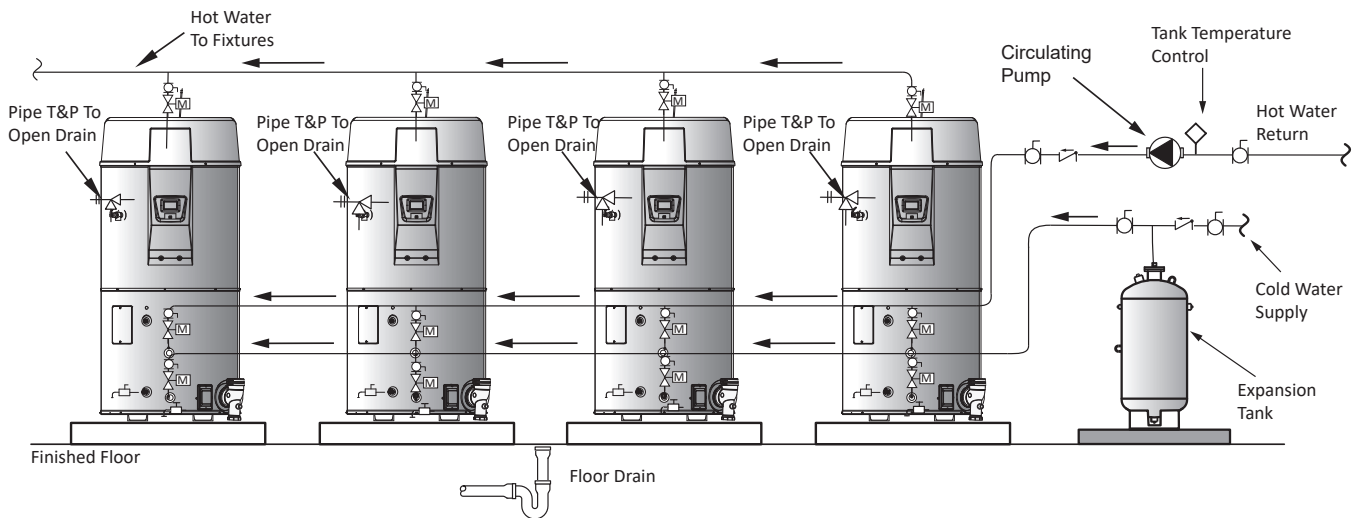
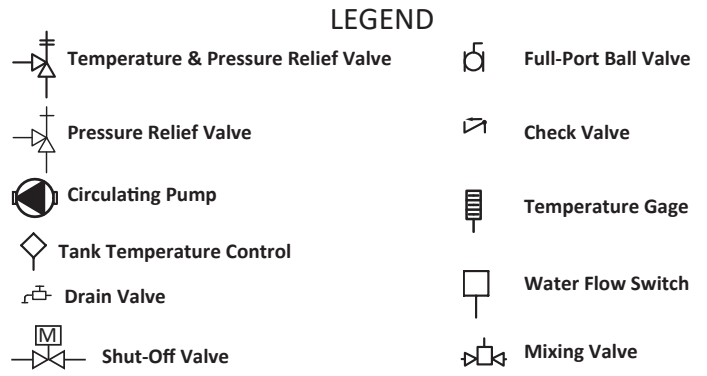
**Four Water Heaters, Single Temperature with Building Recirculation**

Before installation of water piping review the following:

1. See *Mixing Valves* (page 21).
2. See *Dish-washing Machines* (page 21).
3. See *Temperature-Pressure Relief Valve* (page 22).
4. See *Closed Water Systems* (page 21) and *Thermal Expansion* (page 22).
5. See *Water Line Connections* (page 53).
6. If a pump is being installed between a water heater and storage tank or on a building recirculation loop wire according to **Figure 72** (page 100).
7. If a pump is being installed in a recirculation loop between the water heater and a commercial dishwasher wire according to **Figure 73** (page 100).

**WARNING:** THIS DRAWING SHOWS A SUGGESTED PIPING CONFIGURATION AND OTHER DEVICES. CHECK WITH LOCAL CODES AND ORDINANCES FOR ADDITIONAL REQUIREMENTS.

ANY MATERIAL, COMPONENT, OR VENDOR CHANGE MUST HAVE PRIOR APPROVAL BY THE APPLICABLE PRODUCT ENGINEERING DEPARTMENT.



**NOTES:**

1. Preferred piping diagram.
2. The temperature and pressure relief valve setting shall not exceed pressure rating of any component in the system.
3. Service valves are shown for servicing unit. However, local codes shall govern their usage.
4. Ensure that any installed recirculation system does not bypass or interfere in any way with shut-off valves.



## NOTES

## NOTES



## NOTES



Copyright © 2025. All rights reserved.

