



## EN ■ Nutri Blender

### READ CAREFULLY AND STORE FOR FUTURE USE.

- This appliance may be used by persons with physical or mental impairments or by inexperienced persons, if they are properly supervised or have been informed about how to use the appliance in a safe manner and understand the potential dangers.
- Children must not use this appliance or play with it. Keep this appliance and the power cord out of reach of children.
- The appliance is designed for household use only. It is not intended for use in locations such as:
  - staff kitchens in stores, offices and other workplaces;
  - hotel or motel rooms and other living areas;
  - agricultural farms;
  - bed and breakfast establishments.
- This appliance is designed for blending food. Do not use it for any other purposes than those intended.



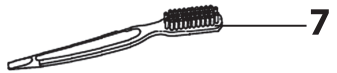
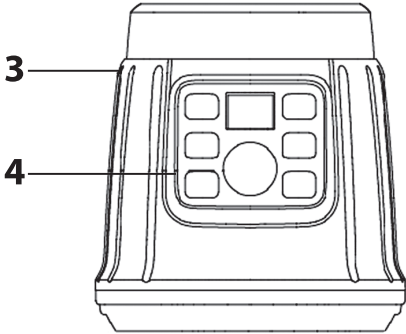
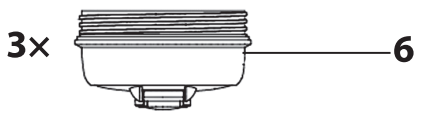
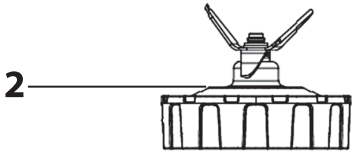
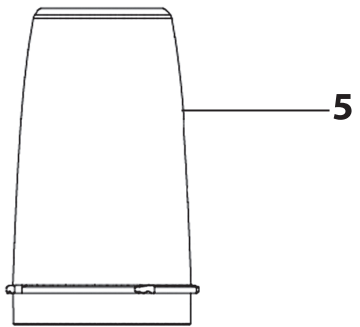
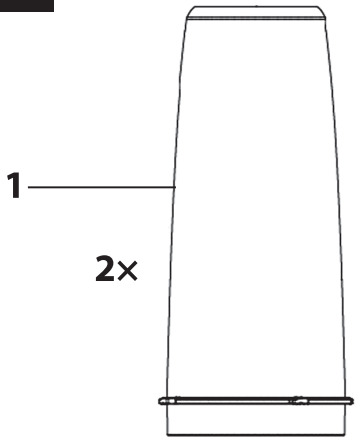
### Warning:

Incorrect use may lead to injuries.

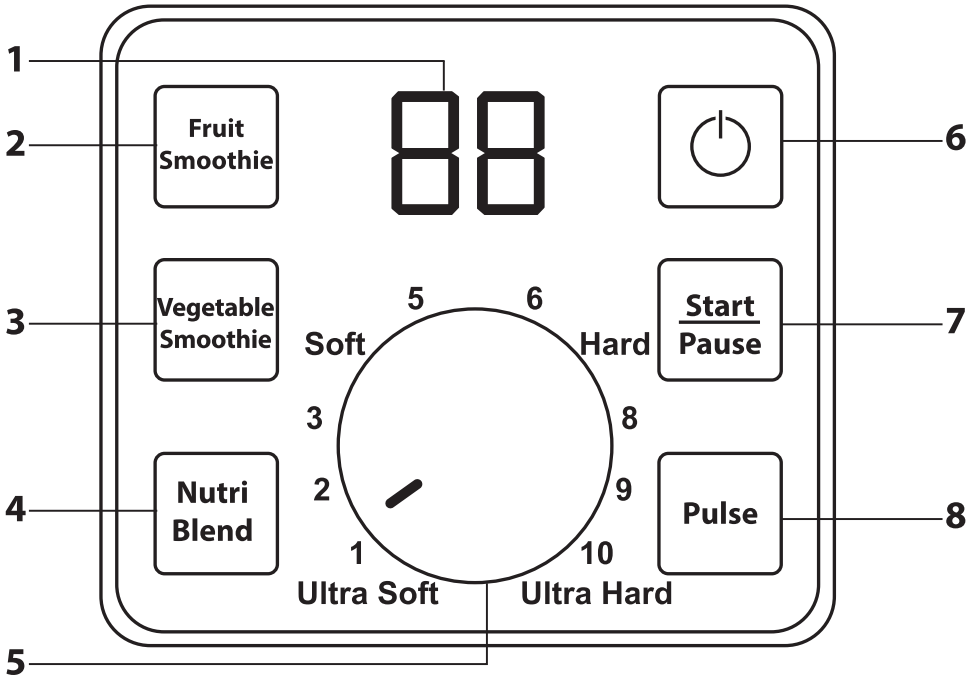
- Do not use the appliance in an industrial environment or outdoors.
- Before connecting this appliance to a power socket, make sure the rated voltage stated on its rating label corresponds to the voltage in your power socket.
- Do not place the appliance on an electric or gas stove or in its vicinity, on the edge of a table or on an unstable surface. Only place the appliance on an even, dry and stable surface.
- Only use the appliance with the original accessories that came with it. The containers that are part of this appliance's accessories are not intended for heating food in a microwave oven.
- Do not fill the blending jars past their maximum nominal capacity.
- Always prior to attaching an assembled blending jar to the motor unit, make sure that the blade assembly is properly attached to the blending jar as this will prevent the liquids contained in the jar from leaking out.
- Be especially careful when handling hot foods and liquids. Hot steam or splashing hot foods and liquids may cause scalding. Do not pour liquids hotter than 80 °C into the blending jar. For reasons of increased safety, it is recommended to allow hot liquids to cool down before blending them.
- Do not attempt to blend hard fruit stones that are contained in for example apricots, peaches, mangoes, avocados, etc., nut shells, bones, etc.
- Frequent blending of dry ingredients such as for example grains, results in excessive wear of the blade assembly and impacts the appearance of the blending jar.
- Do not leave the appliance in continuous operation for longer than 1 minute. Before turning it on again, allow it to cool down for at least 5 minutes.
- The appliance is equipped with a thermal fuse that protects the motor against damage in case of overload. If the appliance shuts off as a consequence of the motor being overloaded, disconnect it from the power socket and allow it cool for at least 15 minutes. Then you can put the appliance back into operation.
- Do not turn on the appliance when it is empty. Incorrect use of the appliance may negatively affect its lifetime.

- If ingredients stick to the blade assembly or the inside walls of the blending jar, turn the appliance off and unplug it from the power supply. Make sure that the blade assembly has stopped rotating. Take the blending jar assembly off the motor unit and turn it over so that the blade assembly points upwards. Remove the blade assembly and using a plastic spatula clean the blade assembly and the walls of the blending jar. Reassemble the blending jar and mount it back on the motor unit. Plug the power cord into a power socket and continue blending.
- Do not turn the blending jar while the appliance is running. Before handling the blending jar in any way, first turn off the appliance, unplug it from the power socket and wait for the rotating parts to come to a stop.
- When handling the blade assembly, when taking it out of the blending jar and when cleaning it, take special care to avoid injury on the blades.
- Always turn off the appliance and disconnect it from the power socket if you will not be using it and if you will be leaving it without supervision, before changing accessories, before assembly, disassembly, cleaning and before moving it. Make sure that the rotating parts have come to a complete stop before disassembly.
- Clean it according to the instructions in chapter Cleaning and maintenance. Do not submerge the motor unit and its power cord in water or any other liquid, or wash these parts under running water.
- Ensure that the power plug contacts do not come into contact with moisture. Do not place heavy items on the power cord. Make sure that the power cord does not hang over the edge of a table or that it is not touching a hot surface.
- Disconnect the appliance from the power socket by pulling on the plug, never pulling on the power cord. Otherwise, this could damage the power cord or the socket.
- If the power cord is damaged, it must be replaced by an authorised service centre or by another similarly qualified person, this will prevent the creation of a dangerous situation. It is forbidden to use the appliance if it has a damaged power cord.
- Do not use the appliance when it is not functioning properly or showing any signs of damage. In order to prevent a hazardous situation arising, do not repair the appliance yourself or modify it in any way. Have all repairs performed at an authorised service centre. By tampering with the appliance, you risk voiding your legal rights arising from unsatisfactory performance or quality warranty.

**A**



**B**



# EN Nutri Blender

## User's manual

- Prior to using this appliance, please read the user's manual thoroughly, even in cases, when you have already familiarised themselves with previous use of similar types of appliances. Only use the appliance in the manner described in this user's manual. Keep this user's manual in a safe place where it can be easily retrieved for future use.
- We recommend saving the original cardboard box, packaging material, purchase receipt and responsibility statement of the vendor or warranty card for at least the duration of the legal liability for unsatisfactory performance or quality. In the event of transportation, we recommend that you pack the appliance in the original box from the manufacturer.

### DESCRIPTION OF THE APPLIANCE

- A1** Tritan blending jar, capacity 900 ml also serves as a drinking bottle.
- A2** Blade assembly
- A3** Motor unit
- A4** Control panel with display
- A5** Tritan blending jar, capacity 600 ml also serves as a drinking bottle.
- A6** Lid with a closable spout for drinking
- A7** Cleaning brush



**Note:** Materials intended for coming into contact with food are made from "BPA-Free" materials. This means that they do not contain toxic Bisphenol A.

### DESCRIPTION OF THE CONTROL PANEL WITH DISPLAY

- B1** LED display shows elapsed time, or time remaining to the end of operation.
- B2** „FRUIT SMOOTHIE“ button for making fruit smoothie drinks
- B3** „VEGETABLE SMOOTHIE“ button for making vegetable smoothie drinks
- B4** „NUTRI BLEND“ button for making nutritional drinks
- B5** 10-step variable speed control max. 25 000 rpm
- B6** button for turning the appliance on and off
- B7** „START/PAUSE“ button for starting and pausing the appliance
- B8** „PULSE“ button for pulse blending

### BEFORE FIRST USE

1. Remove all packaging materials, including promotional tags and labels from the appliance and its accessories.
2. Thoroughly wash all removable accessories that are intended to come into contact with food using warm water and a neutral kitchen detergent. Then rinse them with clean water and allow them to dry naturally or dry them out thoroughly using a wiping cloth. All removable parts, except for the blade assembly **A2**, are suitable for washing in a dishwasher (in the upper rack).
3. Do not rinse or submerge the motor unit **A3** or its power cord in water.



**Attention:** When cleaning the blade assembly **A2**, be very careful not to injure yourself on its sharp edge.

### INTENDED USE OF THE APPLIANCE

- The nutri blender is ideal for making fresh nutritional drinks or smoothies, milkshakes and other cocktails, outstanding salsas, creamy soups, sauces or for blending baby food. It is equipped with two sizes of blending jars, which also serve as practical drinking bottles. The blending jars are made from durable Tritan material. This is a high quality plastic that is characterised by its long lifetime and that it does not absorb any odours or smells. It is resistant against impact and scratching, and is suitable for washing in a dishwasher. The lid with the closable drinking spout makes it possible to easily carry the bottle without spilling the drink. Its anti-slip feet provide excellent stability to the nutri blender during its operation.

### ASSEMBLING AND DISASSEMBLING THE APPLIANCE

- Before you start assembling or disassembling the appliance, check that the motor unit **A3** is turned off and disconnected from the power socket and that the rotating parts have come to a complete stop.

#### 1. Assembling and disassembling the blending jar

- 1.1 Turn the blending jar **A1** or **A5** so that its neck points upwards.
- 1.2 Screw the blade assembly **A2** to the neck of the blending jar and make sure that it is firmly tightened. Turn the assembled blending jar so that the blade assembly **A2** points downwards.



**Note:** Place food and liquids into the blending jar **A1** or **A5** before attaching the blade assembly **A2** to it.

- 1.3 To disassemble, proceed in the reverse sequence.
2. **Attaching the blending jar to the motor unit and its removal**

- 2.1 Place the motor unit **A3** on an even, dry surface, for example on a kitchen countertop. Place the assembled blending jar assembly on to the motor unit **A3** from above so that the blade assembly **A2** and the tabs along the outer perimeter of the blending jar slide into the motor unit **A3**. Turn the assembled blending jar assembly clockwise all the way. It will not be possible to turn on the appliance unless the blending jar assembly is properly attached to the motor unit **A3**.
- 2.2 To remove the blending jar assembly from the motor unit **A3**, proceed in the reverse sequence.

#### 3. Assembling the drinking bottle

- To assemble the drinking bottle, screw the lid **A6** on to the neck of the blending jar **A1** or **A5** and tighten firmly. When carrying it, make sure that the drinking spout is properly closed so as not to spill the bottle's contents.

### FOOD PREPARATION

- Remove hard stones from fruits such as for example apricots, peaches, mangoes, etc. Remove fruit and vegetable peels depending on whether they are edible or not, and whether they were chemically treated or not. Remove shells from nuts, and bones from meat.
- It is necessary to cut all ingredients of tougher consistency into smaller pieces before placing them in the blending jar **A1** or **A5**.
- You will achieve better blending results if you add at least 200 ml of liquids to ingredients that have a tougher consistency such as fruits and vegetables.
- When preparing various drinks, no more than approximately 10 ice cubes should be added to the blending jar.
- Ice cubes must be blended immediately upon being removed from the freezer. When they start to melt, they will stick together and it will not be possible to blend them.

### OPERATING THE APPLIANCE

1. Place the prepared food and liquids into the blending jar **A1** or **A5** and assemble the blender according to the instructions in chapter Assembling and disassembling the appliance.



**Attention:** Never fill the blending jar **A1** or **A5** past the maximum mark.

2. Make sure that the speed control **B5** is set to position 1. Connect the motor unit **A3** to a power socket. When the blending jar is correctly attached to the motor unit **A3**, the display **B1** will show "--". This signals that the appliance is switched to the stand-by mode. To activate the control panel, press the button **B6**. "00" will appear on the display **B1**.
3. You can use buttons **B2–B4** to select from the preset blending modes. After pressing the respective button, the selected mode will start and the time remaining to the end of operation will count down on the display **B1**. In a preset mode, the speed is controlled automatically. The setting on the speed control knob **B5** has no effect on the speed. The appliance will automatically stop once the preset time has elapsed. If you wish to pause the appliance during operation, press the "START/PAUSE" button **B7**. To resume operation, press the button **B7** again. If you wish to end the selected mode prematurely, press the button **B6**.

Button selection	Purpose of use	Length of preset mode
Button <b>B2</b>	For making fruit smoothie drinks	50 s
Button <b>B3</b>	For making vegetable smoothie drinks, blending soups, nuts, grains, etc.	60 s
Button <b>B4</b>	For making nutritional drinks, fruit and vegetable purées and baby foods.	40 s


4. If you do not wish to use any of the preset modes, set the desired speed in the range from 1 to 10 using the speed control knob **B5** and start the appliance by pressing the "START/PAUSE" button **B7**. The display **B1** will show the elapsed time. During operation, you may change the speed as necessary. When "60" appears on the display **B1**, the appliance will stop automatically. If you wish to stop the appliance sooner, press the button **B6**. To pause the appliance temporarily or to resume operation, use the "START/PAUSE" button **B7**.

Recommended speed setting	Ingredients
Speed 1–4	Blending of very soft and soft ingredients (oranges, tomatoes, bananas, etc.), liquids, viscous sauces, etc.
Speed 5–7	Blending of harder ingredients such as carrots, etc., boiled grains, beans, soya beans, etc.
Speed 8–10	Blending of hard ingredients such as nuts, dry grains and dry beans, etc.

5. The "PULSE" button **B8** is used for crushing ice and for short pulse blending of smaller amounts of ingredients. When button **B8** is pressed, the appliance will run at maximum speed and the appliance will run as long as the button **B8** is pressed (however, no longer than 1 minute). When button **B8** is released, the appliance will stop.



**Attention:** The maximum continuous operating time of the appliance is 1 minute. Then allow the appliance to cool down for 5 minutes.

6. After you have finished using the appliance, set the speed control knob **B5** to position 1, turn off the appliance using the  button **B6** and disconnect the power cord from the power socket. Make sure that the rotating parts have stopped rotating. Take the blending jar assembly off the motor unit **A3**, disassemble the blade assembly **A2** and empty out its contents, or close it using the lid as necessary.
7. Then clean all the used parts according to the instructions in chapter Cleaning and maintenance.

## CLEANING AND MAINTENANCE

- Before cleaning it, make sure that the appliance is turned off, disconnected from the power socket and that the rotating parts have stopped.
- Disassemble the appliance into its individual parts. Thoroughly wash the used accessories using warm water and neutral kitchen detergent. Then rinse them with clean water and allow them to dry naturally or dry them out thoroughly using a wiping cloth. All removable parts, except for the blade assembly **A2**, are suitable for washing in a dishwasher (in the upper rack).



### Note:

For cleaning the blade assembly **A2**, you may use the included brush **A7**.



### Attention:

When cleaning the blade assembly **A2**, be very careful not to injure yourself on its sharp edge.

- When you have finished using it, it is also possible to clean the appliance by filling the blending jar **A1** or **A5** with clean water with the addition of a few drops of neutral kitchen detergent and running the appliance for 5 to 10 seconds. Then turn off the appliance, disconnect it from the power socket and disassemble it. Then thoroughly rinse the blade assembly **A2** and the blending jar **A1** or **A5** under clean running water and allow it to dry naturally, or wipe it dry.
- To clean the outer surface of the motor unit **A3**, use a cloth lightly dipped in a weak detergent solution. After applying the detergent solution, wipe the surface with a cloth lightly dampened in clean water and then wipe dry.
- Never submerge the motor unit **A3** or the power cord in water or in any other liquid.
- Do not use solvents, cleaning products with an abrasive effect, etc. for cleaning the appliance. Otherwise, the surface coat of the appliance may be damaged.

## STORAGE

- When not using the appliance, store it in a clean, dry place out of children's reach.

## TECHNICAL SPECIFICATIONS

Rated voltage range.....	220–240 V
Rated frequency.....	50 Hz
Rated power input .....	1 000 W
Electrical shock protection class .....	II
Noise level.....	90 dB(A)

The declared noise emission level of the appliance is 90 dB(A), which represents a level A of acoustic power with respect to a reference acoustic power of 1 pW.

### Explanation of technical terminology

#### Safety class for electrical shock protection:

Class II – Electrical shock protection is provided by double or heavy-duty insulation.

Changes to text and technical parameters are reserved.

## INSTRUCTIONS AND INFORMATION REGARDING THE DISPOSAL OF USED PACKAGING MATERIALS

Dispose of used packaging material at a site designated for waste in your municipality.

## DISPOSAL OF USED ELECTRICAL AND ELECTRONIC EQUIPMENT



This symbol on products or original documents means that used electric or electronic products must not be added to ordinary municipal waste. For proper disposal, renewal and recycling hand over these appliances to determined collection points. Alternatively, in some European Union states or other European countries you may return your appliances to the local retailer when buying an equivalent new appliance.

Correct disposal of this product helps save valuable natural resources and prevents potential negative effects on the environment and human health, which could result from improper waste disposal. Ask your local authorities

or collection facility for more details.

In accordance with national regulations penalties may be imposed for the incorrect disposal of this type of waste.

#### For business entities in European Union states

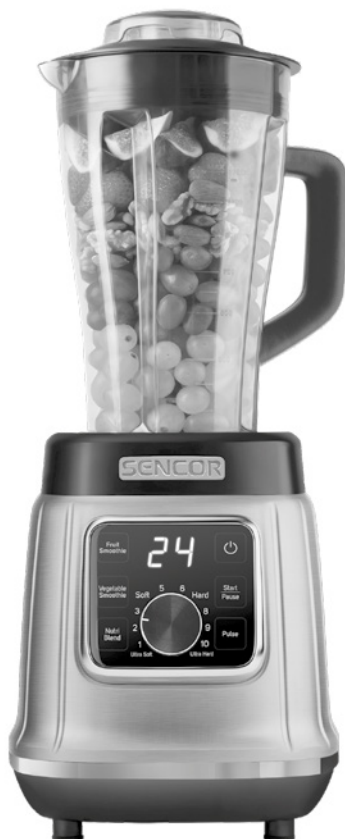
If you want to dispose of electric or electronic appliances, ask your retailer or supplier for the necessary information.

#### Disposal in other countries outside the European Union.

This symbol is valid in the European Union. If you wish to dispose of this product, request the necessary information about the correct disposal method from the local council or from your retailer.



This product meets all the basic requirements of EU directives related to it.



## EN ■ Nutri Blender

### READ CAREFULLY AND STORE FOR FUTURE USE.

- This appliance may be used by persons with physical or mental impairments or by inexperienced persons, if they are properly supervised or have been informed about how to use the appliance in a safe manner and understand the potential dangers.
- Children must not use this appliance or play with it. Keep this appliance and the power cord out of reach of children.
- The appliance is designed for household use only. It is not intended for use in locations such as:
  - staff kitchens in stores, offices and other workplaces;
  - hotel or motel rooms and other living areas;
  - agricultural farms;
  - bed and breakfast establishments.
- This appliance is designed for blending food. Do not use it for any other purposes than those intended.



### Warning:

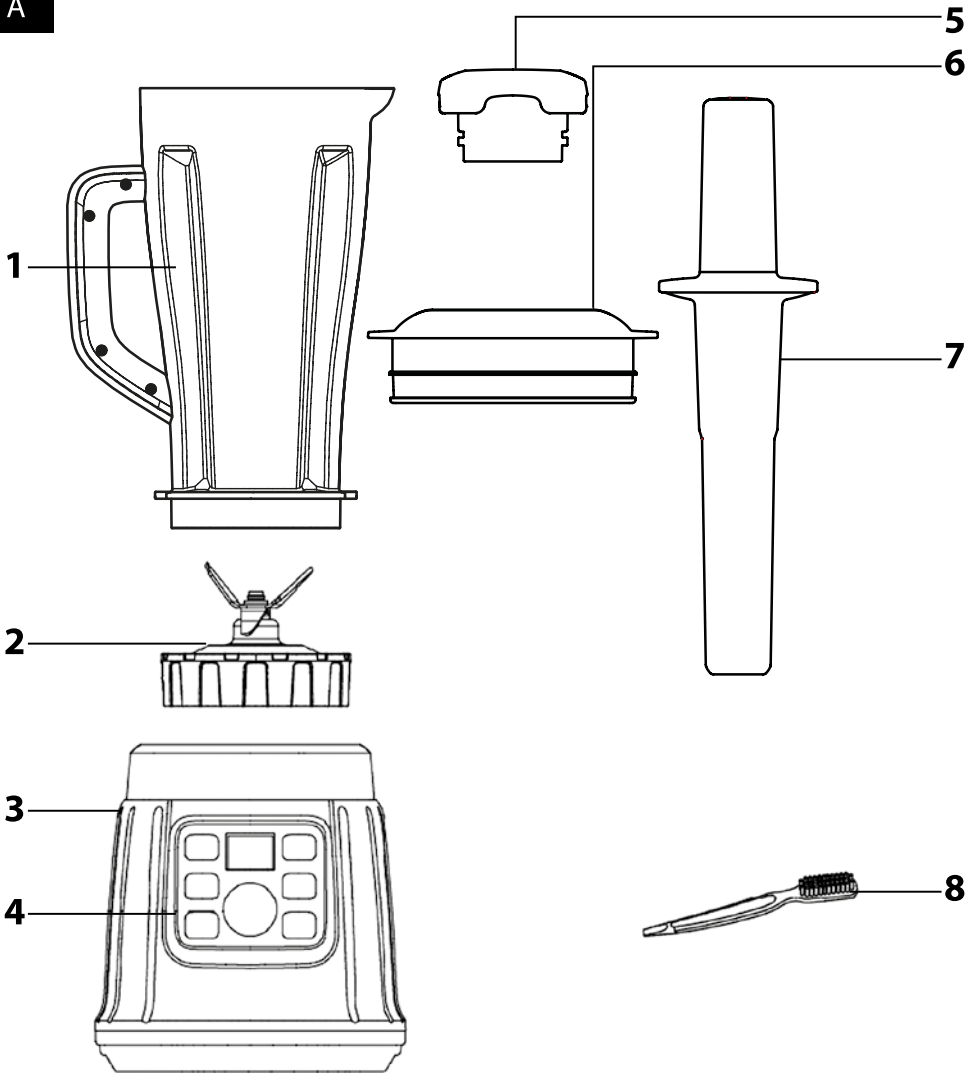
Incorrect use may lead to injuries.

- Do not use the appliance in an industrial environment or outdoors.
- Before connecting this appliance to a power socket, make sure the rated voltage stated on its rating label corresponds to the voltage in your power socket.
- Do not place the appliance on an electric or gas stove or in its vicinity, on the edge of a table or on an unstable surface. Only place the appliance on an even, dry and stable surface.
- Only use the appliance with the original accessories that came with it. The containers that are part of this appliance's accessories are not intended for heating food in a microwave oven.
- Do not fill the blending jars past their maximum nominal capacity.

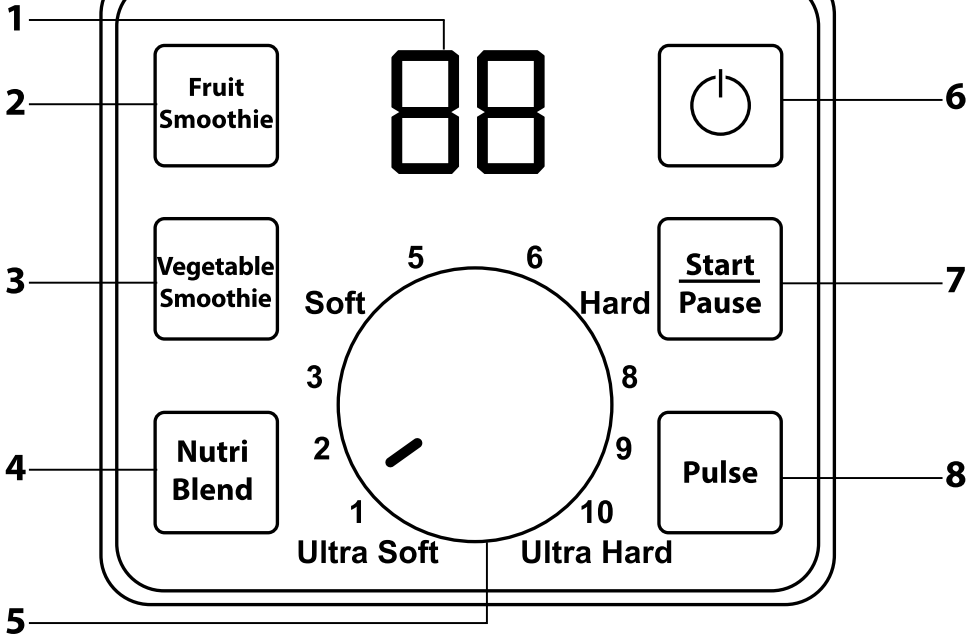
- Always prior to attaching an assembled blending jar to the motor unit, make sure that the blade assembly is properly attached to the blending jar as this will prevent the liquids contained in the jar from leaking out.
- Be especially careful when handling hot foods and liquids. Hot steam or splashing hot foods and liquids may cause scalding. Do not pour liquids hotter than 80 °C into the blending jar. For reasons of increased safety, it is recommended to allow hot liquids to cool down before blending them.
- Do not attempt to blend hard fruit stones that are contained in for example apricots, peaches, mangoes, avocados, etc., nut shells, bones, etc.
- Frequent blending of dry ingredients such as for example grains, results in excessive wear of the blade assembly and impacts the appearance of the blending jar.
- Do not leave the appliance in continuous operation for longer than 1 minute. Before turning it on again, allow it to cool down for at least 5 minutes.
- The appliance is equipped with a thermal fuse that protects the motor against damage in case of overload. If the appliance shuts off as a consequence of the motor being overloaded, disconnect it from the power socket and allow it cool for at least 15 minutes. Then you can put the appliance back into operation.
- Do not turn on the appliance when it is empty. Incorrect use of the appliance may negatively affect its lifetime.
- If ingredients stick to the blade assembly or the inside walls of the blending jar, turn the appliance off and unplug it from the power supply. Make sure that the blade assembly has stopped rotating. Take the blending jar assembly off the motor unit and turn it over so that the blade assembly points upwards. Remove the blade assembly and using a plastic spatula clean the blade assembly and the walls of the blending jar. Reassemble the blending jar and mount it back on the motor unit. Plug the power cord into a power socket and continue blending.

- Do not turn the blending jar while the appliance is running. Before handling the blending jar in any way, first turn off the appliance, unplug it from the power socket and wait for the rotating parts to come to a stop.
- When handling the blade assembly, when taking it out of the blending jar and when cleaning it, take special care to avoid injury on the blades.
- Always turn off the appliance and disconnect it from the power socket if you will not be using it and if you will be leaving it without supervision, before changing accessories, before assembly, disassembly, cleaning and before moving it. Make sure that the rotating parts have come to a complete stop before disassembly.
- Clean it according to the instructions in chapter Cleaning and maintenance. Do not submerge the motor unit and its power cord in water or any other liquid, or wash these parts under running water.
- Ensure that the power plug contacts do not come into contact with moisture. Do not place heavy items on the power cord. Make sure that the power cord does not hang over the edge of a table or that it is not touching a hot surface.
- Disconnect the appliance from the power socket by pulling on the plug, never pulling on the power cord. Otherwise, this could damage the power cord or the socket.
- If the power cord is damaged, it must be replaced by an authorised service centre or by another similarly qualified person, this will prevent the creation of a dangerous situation. It is forbidden to use the appliance if it has a damaged power cord.
- Do not use the appliance when it is not functioning properly or showing any signs of damage. In order to prevent a hazardous situation arising, do not repair the appliance yourself or modify it in any way. Have all repairs performed at an authorised service centre. By tampering with the appliance, you risk voiding your legal rights arising from unsatisfactory performance or quality warranty.

**A**



**B**



# EN Nutri Blender

## User's manual

- Prior to using this appliance, please read the user's manual thoroughly, even in cases, when you have already familiarised themselves with previous use of similar types of appliances. Only use the appliance in the manner described in this user's manual. Keep this user's manual in a safe place where it can be easily retrieved for future use.
- We recommend saving the original cardboard box, packaging material, purchase receipt and responsibility statement of the vendor or warranty card for at least the duration of the legal liability for unsatisfactory performance or quality. In the event of transportation, we recommend that you pack the appliance in the original box from the manufacturer.

### DESCRIPTION OF THE APPLIANCE

- A1** Tritan blending jar, capacity 1.3 l.
- A2** Blade assembly
- A3** Motor unit
- A4** Control panel with display
- A5** Filling cap
- A6** Blending jar lid
- A7** Pusher
- A8** Cleaning brush



**Note:**  
Materials intended for coming into contact with food are made from "BPA-Free" materials. This means that they do not contain toxic Bisphenol A.

### DESCRIPTION OF THE CONTROL PANEL WITH DISPLAY

- B1** LED display shows elapsed time, or time remaining to the end of operation.
- B2** „FRUIT SMOOTHIE“ button for making fruit smoothie drinks
- B3** „VEGETABLE SMOOTHIE“ button for making vegetable smoothie drinks
- B4** „NUTRI BLEND“ button for making nutritional drinks
- B5** 10-step variable speed control max. 25 000 rpm
- B6** ⏸ button for turning the appliance on and off
- B7** „START/PAUSE“ button for starting and pausing the appliance
- B8** „PULSE“ button for pulse blending

### BEFORE FIRST USE

1. Remove all packaging materials, including promotional tags and labels from the appliance and its accessories.
2. Thoroughly wash all removable accessories that are intended to come into contact with food using warm water and a neutral kitchen detergent. Then rinse them with clean water and allow them to dry naturally or dry them out thoroughly using a wiping cloth. All removable parts, except for the blade assembly **A2**, are suitable for washing in a dishwasher (in the upper rack).
3. Do not rinse or submerge the motor unit **A3** or its power cord in water.



**Attention:**  
When cleaning the blade assembly **A2**, be very careful not to injure yourself on its sharp edge.

### INTENDED USE OF THE APPLIANCE

- The nutri blender is ideal for making fresh nutritional drinks or smoothies, milkshakes and other cocktails, outstanding salsas, creamy soups, sauces or for blending baby food. It has a blending jar made from durable Tritan material. This is a high quality plastic that is characterised by its long lifetime and that it does not absorb any odours or smells. Its anti-slip feet provide excellent stability to the nutri blender during its operation.

### ASSEMBLING AND DISASSEMBLING THE APPLIANCE

- Before you start assembling or disassembling the appliance, check that the motor unit **A3** is turned off and disconnected from the power socket and that the rotating parts have come to a complete stop.

#### 1. Assembling the blending jar

- 1.1 Screw the blade assembly **A2** to the bottom part of the blending jar **A1**, making sure that it is firmly tightened. Turn the assembled blending jar so that the blade assembly **A2** points downwards.

#### 2. Attaching the blending jar to the motor unit and its removal

- 2.1 Place the motor unit **A3** on an even, dry surface, for example on a kitchen countertop. Place the assembled blending jar assembly on to the motor unit **A3** from above so that the blade assembly **A2** and the tabs along the outer perimeter of the blending jar slide into the motor unit **A3**. Turn the assembled blending jar assembly clockwise all the way. It will not be possible to turn on the appliance unless the blending jar assembly is properly attached to the motor unit **A3**.
- 2.2 To remove the blending jar assembly from the motor unit **A3**, proceed in the reverse sequence.

### FOOD PREPARATION

- Remove hard stones from fruits such as for example apricots, peaches, mangoes, etc. Remove fruit and vegetable peels depending on whether they are edible or not, and whether they were chemically treated or not. Remove shells from nuts, and bones from meat.
- It is necessary to cut all ingredients of tougher consistency into smaller pieces before placing them in the blending jar **A1**.

- You will achieve better blending results if you add at least 200 ml of liquids to ingredients that have a tougher consistency such as fruits and vegetables.
- When preparing various drinks, no more than approximately 10 ice cubes should be added to the blending jar.
- Ice cubes must be blended immediately upon being removed from the freezer. When they start to melt, they will stick together and it will not be possible to blend them.

### OPERATING THE APPLIANCE

1. Assemble the appliance according to the instructions provided in chapter Assembling and disassembling the appliance and then place the prepared ingredients and liquids into the blending jar **A1**.



**Attention:**  
Never fill the blending jar **A1** past the maximum mark.

2. Make sure that the speed control **B5** is set to position 1. Connect the motor unit **A3** to a power socket. When the blending jar is correctly attached to the motor unit **A3**, the display **B1** will show “-”. This signals that the appliance is switched to the stand-by mode. To activate the control panel, press the ⏸ button **B6**. “00” will appear on the display **B1**.
3. You can use buttons **B2–B4** to select from the preset blending modes. After pressing the respective button, the selected mode will start and the time remaining to the end of operation will count down on the display **B1**. In a preset mode, the speed is controlled automatically. The setting on the speed control knob **B5** has no effect on the speed. The appliance will automatically stop once the preset time has elapsed. If you wish to pause the appliance during operation, press the “START/PAUSE” button **B7**. To resume operation, press the button **B7** again. If you wish to end the selected mode prematurely, press the ⏸ button **B6**.

Button selection	Purpose of use	Length of preset mode
Button <b>B2</b>	For making fruit smoothie drinks	50 s
Button <b>B3</b>	For making vegetable smoothie drinks, blending soups, nuts, grains, etc.	60 s
Button <b>B4</b>	For making nutritional drinks, fruit and vegetable purées and baby foods.	40 s

4. If you do not wish to use any of the preset modes, set the desired speed in the range from 1 to 10 using the speed control knob **B5** and start the appliance by pressing the “START/PAUSE” button **B7**. The display **B1** will show the elapsed time. During operation, you may change the speed as necessary. When “60” appears on the display **B1**, the appliance will stop automatically. If you wish to stop the appliance sooner, press the ⏸ button **B6**. To pause the the appliance temporarily or to resume operation, use the “START/PAUSE” button **B7**.

Recommended speed setting	Ingredients
Speed 1–4	Blending of very soft and soft ingredients (oranges, tomatoes, bananas, etc.), liquids, viscous sauces, etc.
Speed 5–7	Blending of harder ingredients such as carrots, etc., boiled grains, beans, soya beans, etc.
Speed 8–10	Blending of hard ingredients such as nuts, dry grains and dry beans, etc.

5. The “PULSE” button **B8** is used for crushing ice and for short pulse blending of smaller amounts of ingredients. When button **B8** is pressed, the appliance will run at maximum speed and the appliance will run as long as the button **B8** is pressed (however, no longer than 1 minute). When button **B8** is released, the appliance will stop.



**Attention:**  
The maximum continuous operating time of the appliance is 1 minute. Then allow the appliance to cool down for 5 minutes.

6. After you have finished using the appliance, set the speed control knob **B5** to position 1, turn off the appliance using the ⏸ button **B6** and disconnect the power cord from the power socket. Make sure that the rotating parts have stopped rotating. Take the blending jar assembly off the motor unit **A3**. After emptying out the contents of the blending jar, remove the blade assembly **A2**.
7. Then clean all the used parts according to the instructions in chapter Cleaning and maintenance.

### CLEANING AND MAINTENANCE

- Before cleaning it, make sure that the appliance is turned off, disconnected from the power socket and that the rotating parts have stopped.
- Disassemble the appliance into its individual parts. Thoroughly wash the used accessories using warm water and neutral kitchen detergent. Then rinse them with clean water and allow them to dry naturally or dry them out thoroughly using a wiping cloth. All removable parts, except for the blade assembly **A2**, are suitable for washing in a dishwasher (in the upper rack).



**Note:**  
For cleaning the blade assembly **A2**, you may use the included brush **A8**.



**Attention:**  
When cleaning the blade assembly **A2**, be very careful not to injure yourself on its sharp edge.

- When you have finished using it, it is also possible to clean the appliance by filling the blending jar **A1** with clean water with the addition of a few drops of neutral kitchen detergent and running the appliance for 5 to 10 seconds. Then turn off the appliance, disconnect it from the power socket and disassemble it. Then thoroughly rinse the blade assembly **A2** and the blending jar **A1** under clean running water and allow it to dry naturally, or wipe it dry.
- To clean the outer surface of the motor unit **A3**, use a cloth lightly dipped in a weak detergent solution. After applying the detergent solution, wipe the surface with a cloth lightly dampened in clean water and then wipe dry.
- Never submerge the motor unit **A3** or the power cord in water or in any other liquid.
- Do not use solvents, cleaning products with an abrasive effect, etc. for cleaning the appliance. Otherwise, the surface coat of the appliance may be damaged.

## STORAGE

- When not using the appliance, store it in a clean, dry place out of children's reach.

## TECHNICAL SPECIFICATIONS

Rated voltage range.....	220–240 V
Rated frequency.....	50 Hz
Rated power input.....	1 000 W
Electrical shock protection class.....	II
Noise level.....	90 dB(A)

The declared noise emission level of the appliance is 90 dB(A), which represents a level A of acoustic power with respect to a reference acoustic power of 1 pW.

### Explanation of technical terminology

#### Safety class for electrical shock protection:

Class II – Electrical shock protection is provided by double or heavy-duty insulation.

Changes to text and technical parameters are reserved.

## INSTRUCTIONS AND INFORMATION REGARDING THE DISPOSAL OF USED PACKAGING MATERIALS

Dispose of used packaging material at a site designated for waste in your municipality.

## DISPOSAL OF USED ELECTRICAL AND ELECTRONIC EQUIPMENT



This symbol on products or original documents means that used electric or electronic products must not be added to ordinary municipal waste. For proper disposal, renewal and recycling hand over these appliances to determined collection points. Alternatively, in some European Union states or other European countries you may return your appliances to the local retailer when buying an equivalent new appliance.

Correct disposal of this product helps save valuable natural resources and prevents potential negative effects on the environment and human health, which could result from improper waste disposal. Ask your local authorities

or collection facility for more details.

In accordance with national regulations penalties may be imposed for the incorrect disposal of this type of waste.

#### For business entities in European Union states

If you want to dispose of electric or electronic appliances, ask your retailer or supplier for the necessary information.

#### Disposal in other countries outside the European Union.

This symbol is valid in the European Union. If you wish to dispose of this product, request the necessary information about the correct disposal method from the local council or from your retailer.



This product meets all the basic requirements of EU directives related to it.