

 **FABER**

Levante E

Installation Instructions
Use and Care Information

Instructions d'installation
Utilisez et d'entretien

Instrucciones de instalación
Información de uso y cuidado

LEVE24SS200
LEVE30SS200
LEVE24WH200
LEVE30WH200

CONTENTS

Section	Page
Important safety instructions	3
Range Hood dimensions	6
Installation height requirements	7
Parts	8
Tools needed	9
Choose Vertical or Horizontal Electrical Connection Knockout's	10
All ducted venting method	12
Ducted venting method options	13
Ducted - 7" round outlet	14
Ducted - 3 1/4" x 10" Rectangular Outlet on top	16
Ducted - 3 1/4" x 10" Rectangular Outlet rear	17
Non Ducted Recirculation Option	18
Choosing the Mounting Method	19
Mounting Range Hood on wall	20
Mounting Range Hood under the cabinet	24
Connecting electricity	26
Operating the controls	27
Caring for filters	28
Replacing lighting	30
Wiring diagram	31
Warranty	32

IMPORTANT SAFETY INSTRUCTIONS

READ AND SAVE THESE INSTRUCTIONS BEFORE YOU START INSTALLING THIS RANGE HOOD

WARNING: - TO REDUCE THE RISK OF A RANGE TOP GREASE FIRE:

- a) Never leave surface units unattended at high settings. Boilovers cause smoking and greasy spillovers that may ignite. Heat oils slowly on low or medium setting.
- b) Always turn hood ON when cooking at high heat or when flambeing food (i.e. Crepes Suzette, Cherries Jubilee, Peppercorn Beef Flambé).
- c) Clean ventilating fans frequently. Grease should not be allowed to accumulate on fan or filter.
- d) Use proper pan size. Always use cookware appropriate for the size of the surface element.

WARNING: - TO REDUCE THE RISK OF INJURY TO PERSONS IN THE EVENT OF A RANGE TOP GREASE FIRE, OBSERVE THE FOLLOWING*:

- a) **SMOTHER FLAMES** with a close-fitting lid, cookie sheet, or metal tray, then turn off the burner. **BE CAREFUL TO PREVENT BURNS.** If the flames do not go out immediately **EVACUATE AND CALL THE FIRE DEPARTMENT.**
- b) **NEVER PICK UP A FLAMING PAN** - You may be burned.
- c) **DO NOT USE WATER**, including wet dishcloths or towels - a violent steam explosion will result.
- d) Use an extinguisher **ONLY** if:
 1. You know you have a Class ABC extinguisher, and you already know how to operate it.
 2. The fire is small and contained in the area where it started.
 3. The fire department is being called.
 4. You can fight the fire with your back to an exit.

* Based on "Kitchen Firesafety Tips" published by NFPA

WARNING - TO REDUCE THE RISK OF FIRE OR ELECTRIC SHOCK, do not use this fan with any solid-state speed control device.

WARNING - TO REDUCE THE RISK OF FIRE, ELECTRICAL SHOCK, OR INJURY TO PERSONS, OBSERVE THE FOLLOWING:

1. Use this unit only in the manner intended by the manufacturer. If you have any questions, contact the manufacturer.
2. Before servicing or cleaning unit, switch power off at service panel and lock the service disconnecting means to prevent power from being switched on accidentally. When the service disconnecting means cannot be locked, securely fasten a prominent warning device, such as a tag, to the service panel.

CAUTION: For General Ventilating Use Only. Do Not Use To Exhaust Hazardous or Explosive Materials and Vapors.

WARNING - TO REDUCE THE RISK OF FIRE, ELECTRICAL SHOCK, OR INJURY TO PERSONS, OBSERVE THE FOLLOWING:

1. Installation Work And Electrical Wiring Must Be Done By Qualified Person(s) In Accordance With All Applicable Codes And Standards, Including Fire-Rated Construction.
2. Sufficient air is needed for proper combustion and exhausting of gases through the flue (chimney) of fuel burning equipment to prevent backdrafting. Follow the heating equipment manufacturer's guideline and safety standards such as those published by the National Fire Protection Association (NFPA), and the American Society for Heating, Refrigeration and Air Conditioning Engineers (ASHRAE), and the local code authorities.

3. **When cutting or drilling into wall or ceiling, do not damage electrical wiring and other hidden utilities.**
4. **Ducted fans must always be vented to the outdoors.**

ALL WALL AND FLOOR OPENINGS WHERE THE RANGE HOOD IS INSTALLED
MUST BE SEALED.

This Range Hood requires at least 24" of clearance between the bottom of the Range Hood and the cooking surface or countertop. This hood has been approved by UL at this distance from the cooktop.

This minimum clearance may be higher depending on local building codes. For gas cooktops and combination ranges, a minimum of 30" is recommended and may be required.

Overhead cabinets on both sides of this unit must be a minimum of 18" above the cooking surface or countertop. Consult the cooktop or range installation instructions given by the manufacturer before making any cutouts.

MOBILE HOME INSTALLATION The installation of this Range Hood must conform to the Manufactured Home Construction and Safety Standards, Title 24 CFR, Part 3280 (formerly Federal Standard for Mobile Home Construction and Safety, Title 24, HUD, Part 280). See Electrical Requirements"

VENTING REQUIREMENTS

Determine which venting method is best for your application. Ductwork can extend either through the wall or the roof.

The length of the ductwork and the number of elbows should be kept to a minimum to provide efficient performance. The size of the ductwork should be uniform. Do not install two elbows together. Use duct tape to seal all joints in the ductwork system. Use caulking to seal exterior wall or floor opening around the cap.

Flexible ductwork is not recommended. Flexible ductwork creates back pressure and air turbulence that greatly reduces performance.

Make sure there is proper clearance within the wall or floor for exhaust duct before making cutouts. Do not cut a joist or stud unless absolutely necessary. If a joist or stud must be cut, then a supporting frame must be constructed.

WARNING - To Reduce The Risk Of Fire, Use Only Metal Ductwork.

CAUTION - To reduce risk of fire and to properly exhaust air, be sure to duct air outside - Do not vent exhaust air into spaces within walls or ceilings or into attics, crawl spaces, or garages.

Cold Weather installations

An additional back draft damper should be installed to minimize backward cold air flow and a non-metallic thermal break should be installed to minimize conduction of outside temperatures as part of the vent system. The damper should be on the cold air side of the thermal break. The break should be as close as possible to where the vent system enters the heated portion of the house.



WARNING

- Venting system **MUST** terminate outside the home.
- **DO NOT** terminate the ductwork in an attic or other enclosed space.
- **DO NOT** use 4" laundry-type wall caps.
- Flexible-type ductwork is not recommended.
- **DO NOT** obstruct the flow of combustion and ventilation air.
- Failure to follow venting requirements may result in a fire.

ELECTRICAL REQUIREMENTS

A 120 volt, 60 Hz AC-only electrical supply is required on a separate 15 amp fused circuit. A time-delay fuse or circuit breaker is recommended. The fuse must be sized per local codes in accordance with the electrical rating of this unit as specified on the serial/rating plate located inside the unit near the field wiring compartment.

ELECTRICAL INSTALLATION WITH WIRING BOX

THIS UNIT MUST BE CONNECTED WITH COPPER WIRE ONLY. Wire sizes must conform to the requirements of the National Electrical Code, ANSI/NFPA 70 - latest edition, and all local codes and ordinances. Wire size and connections must conform with the rating of the appliance. Copies of the standard listed above may be obtained from:

National Fire Protection Association
Batterymarch Park
Quincy, Massachusetts 02269

This appliance should be connected directly to the fused disconnect (or circuit breaker) through flexible, armored or nonmetallic sheathed copper cable. Allow some slack in the cable so the appliance can be moved if servicing is ever necessary. A UL Listed, 1/2" conduit connector must be provided at each end of the power supply cable (at the appliance and at the junction box).

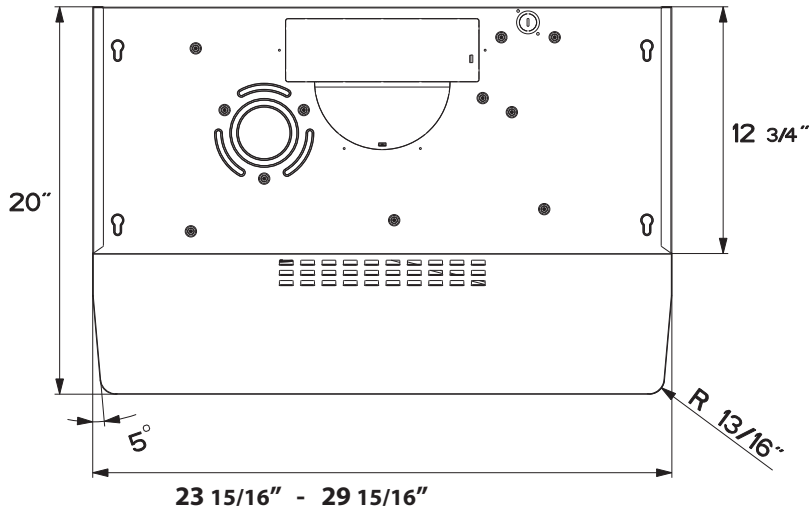
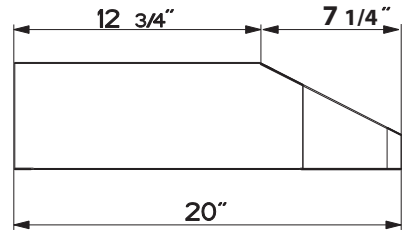
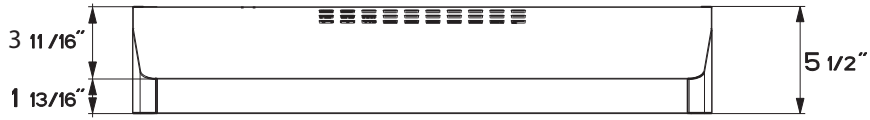
When making the electrical connection, cut a 1 1/4" hole in the wall. A hole cut through wood must be sanded until smooth. A hole through metal must have a grommet.



WARNING

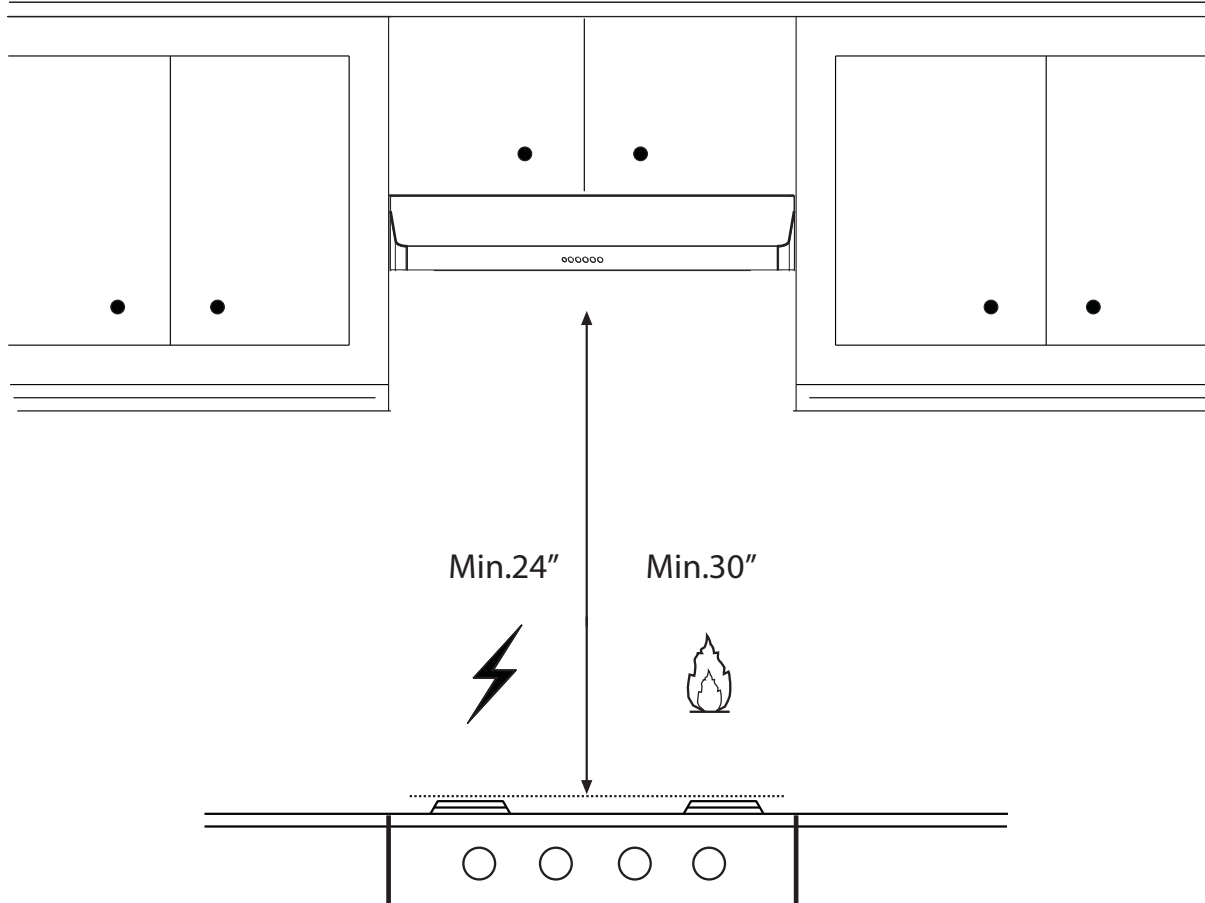
- Electrical ground is required on this Range Hood.
- If cold water pipe is interrupted by plastic, nonmetallic gaskets or other materials, DO NOT use for grounding.
- DO NOT ground to a gas pipe.
- DO NOT have a fuse in the neutral or grounding circuit. A fuse in the neutral or grounding circuit could result in electrical shock.
- Check with a qualified electrician if you are in doubt as to whether the Range Hood is properly grounded.
- Failure to follow electrical requirements may result in a fire.

RANGE HOOD DIMENSIONS



INSTALLATION HEIGHT REQUIREMENTS





MIN. 24" OVER ELECTRIC / MIN. 30" OVER GAS

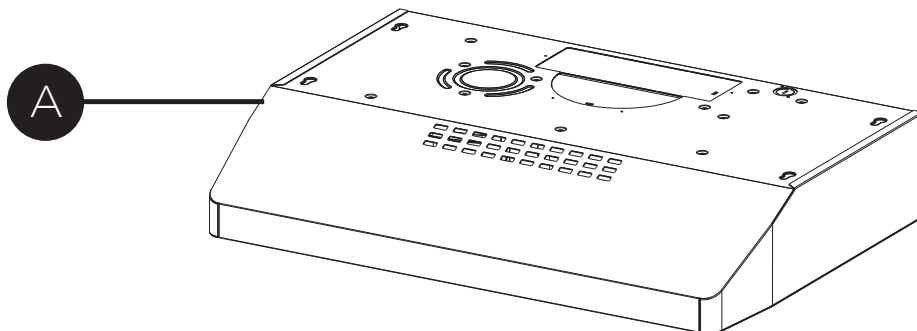
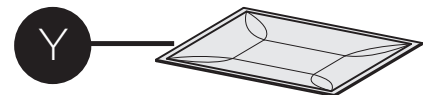
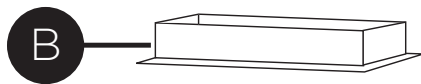
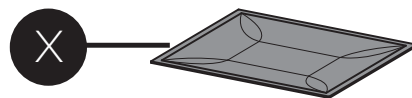
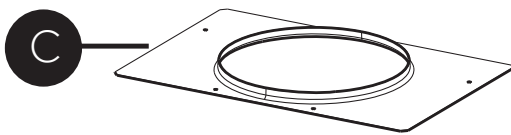


PARTS

PARTS INCLUDED


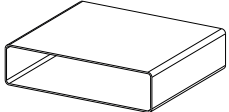




REF.	PART	
A	Hood body - Includes Controls, Light, Filters, Blower	1
B	Damper (3 1/4" x 10")	1
C	7" Round Flange	1
X	Charcoal filter	1
Y	Grease filter	1

REF	PART			
E	Pozi Screws (3/16" x 1 15/16")			4
F	Torx Screws (1/8" x 3/8")			4



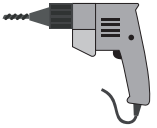
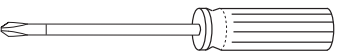
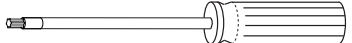
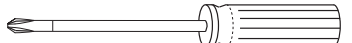


PARTS (cont.)

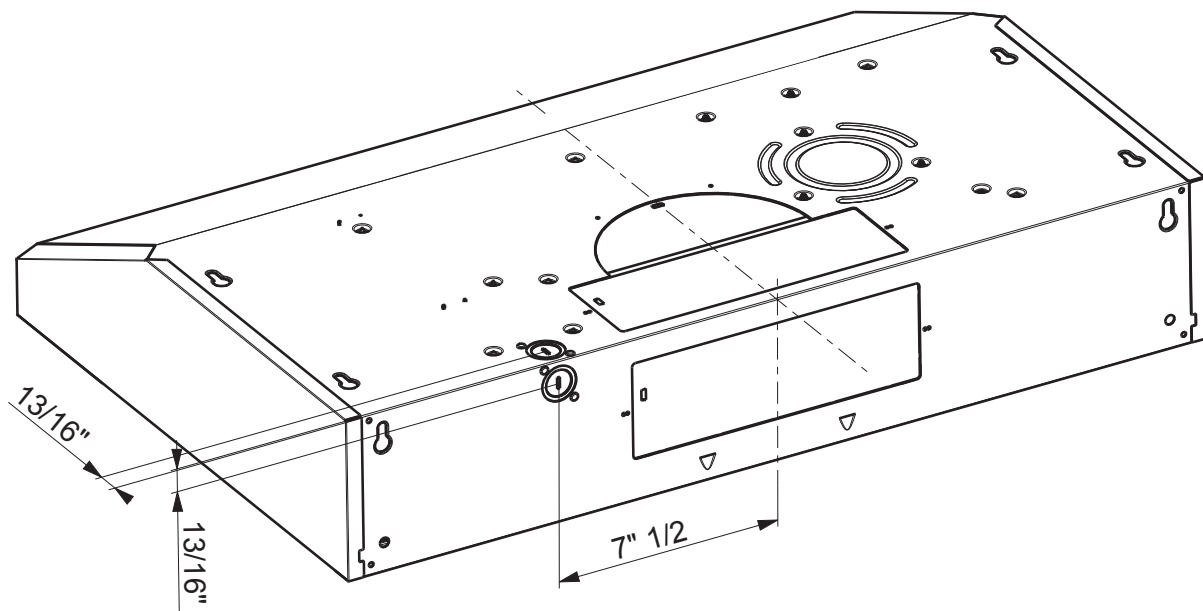
PARTS NEEDED

PART	
7" Round Metal Ductwork	
3 1/4" x 10" Rectangular Ductwork	
7" Damper	
Wire connectors.	
Power Supply Cable.	
Drywall plugs or other suitable wall fasteners based on your installation.	
Wall Cap/Roof Cap Needs to be purchased separately	

TOOLS NEEDED

TOOL	
Tape Measure	
Pencil	
Electric Drill with 5/16" Drill Bit	
Phillips Screwdriver	
Torx Screwdriver	
Pozi Screwdriver	

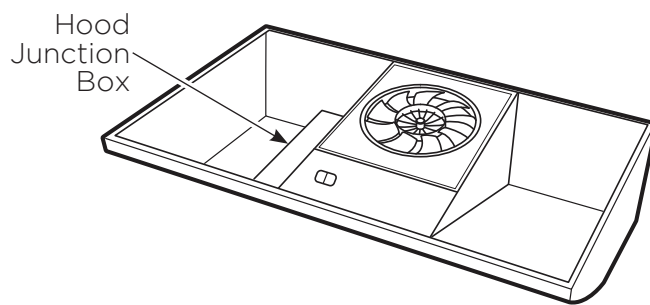
CHOOSE VERTICAL OR HORIZONTAL ELECTRICAL CONNECTION KNOCKOUT'S



Preparing the hood for electrical knockouts

1 PREPARE FOR ELECTRICAL - REMOVE HOOD JUNCTION BOX

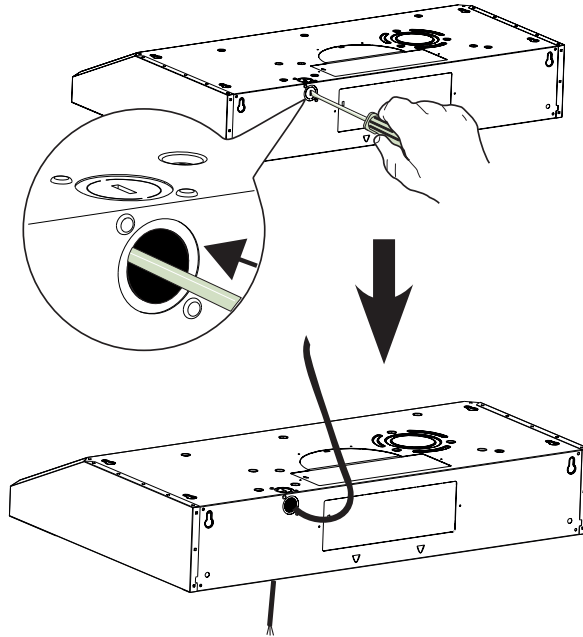
Remove the hood junction box from inside the hood. Set the cover and its mounting screws aside.



2**Rear Hole (Horizontal)**

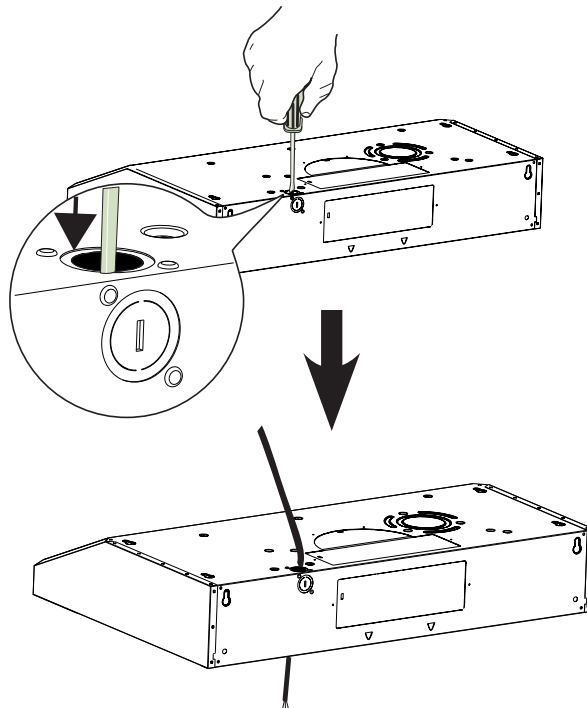
Choose the rear hole for the electric connection and break with a screwdriver or other tool.

During the installation thread Power Supply Cable through this hole.

**3****Top Hole (Vertical)**

Choose the top hole for the electric connection and break with a screwdriver or other tool.

During the installation thread Power Supply Cable through this hole.

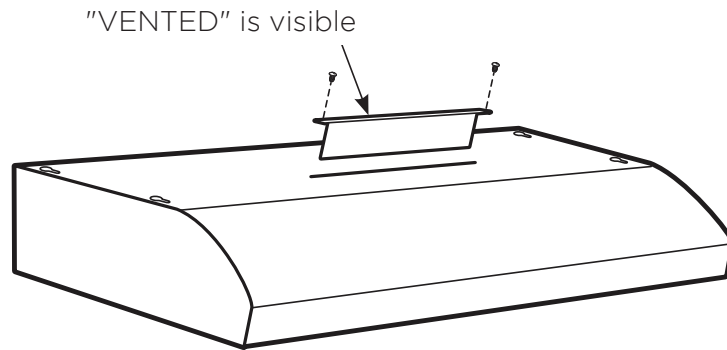


ALL DUCTED VENTING METHOD

1

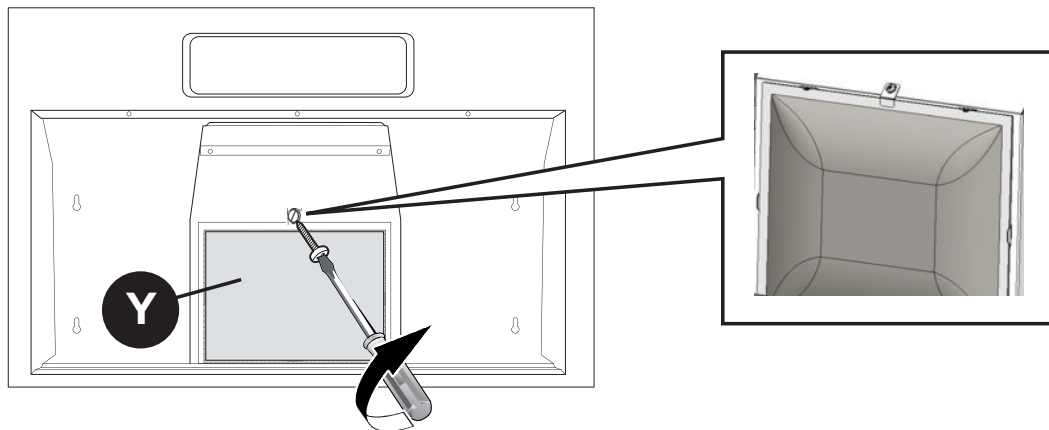
REVERSE THE BAFFLE FOR DUCTED INSTALLATIONS ONLY

Remove the baffle from the top of the hood. Reinstall the baffle so the short side marked "VENTED" is visible. The long side of the baffle should be inside the hood.



2

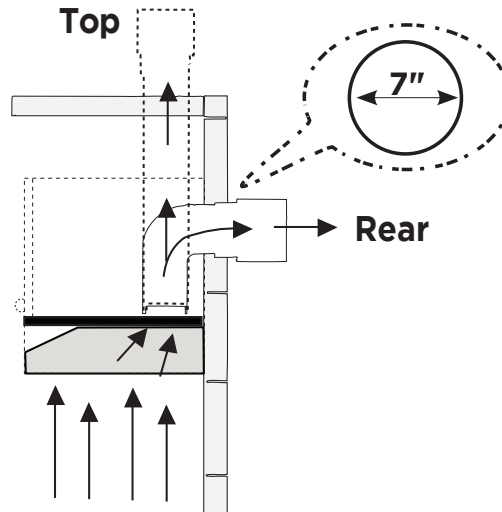
Install the grease filter **Y** and attach the screw as shown.



DUCTED VENTING METHOD OPTIONS

DUCTED WITH 7" ROUND OUTLET:

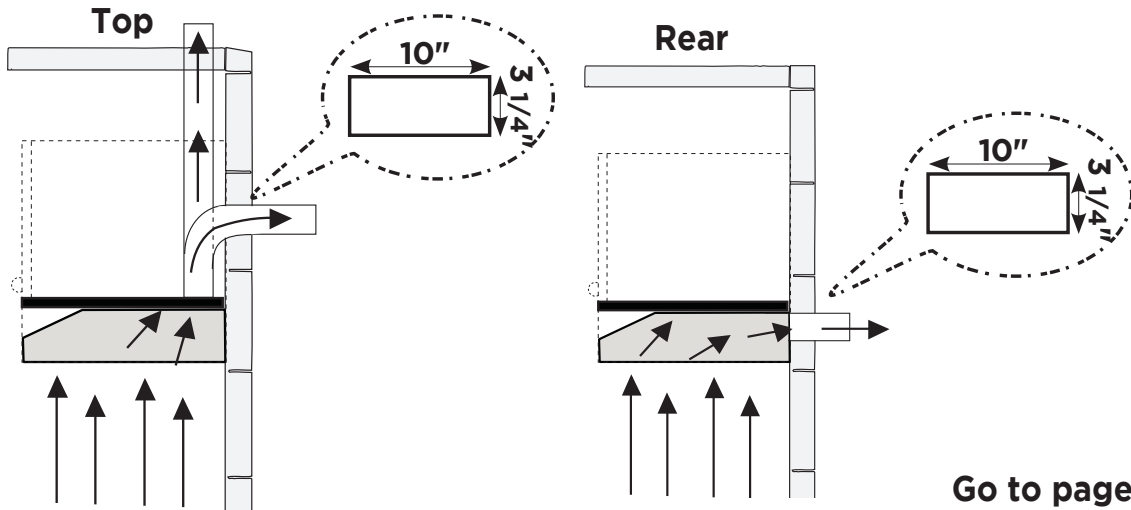
- Vertical
- Horizontal



Go to page 14

DUCTED WITH 3 1/4" X 10" RECTANGULAR OUTLET

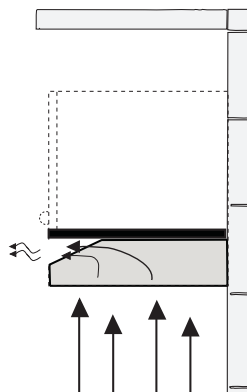
- Vertical
- Horizontal



Go to page 16

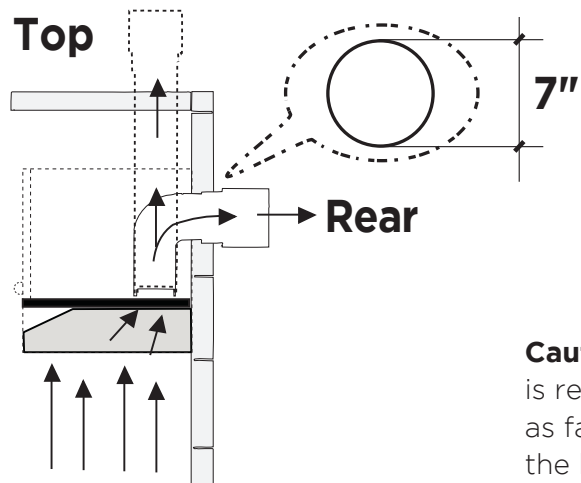
NON DUCTED - RECIRCULATION OPTION

Requires purchase of
Activated Charcoal
Accessory



Go to page 17

DUCTED - 7" ROUND OUTLET



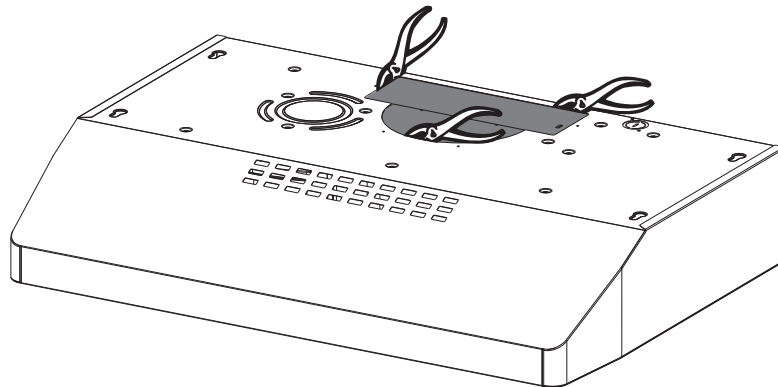
Caution: If an elbow is required, do it as far away from the hood's exhaust opening as possible.

Required; 7" Round Damper purchase separately.



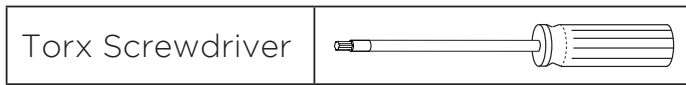
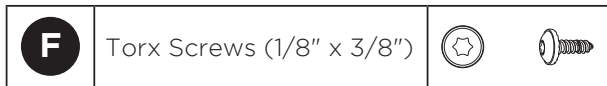
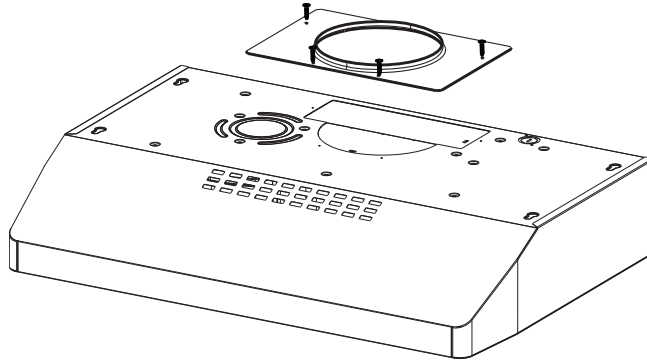
1

Cut where indicated.
Remove both the rectangular and semicircle areas with metal shears.

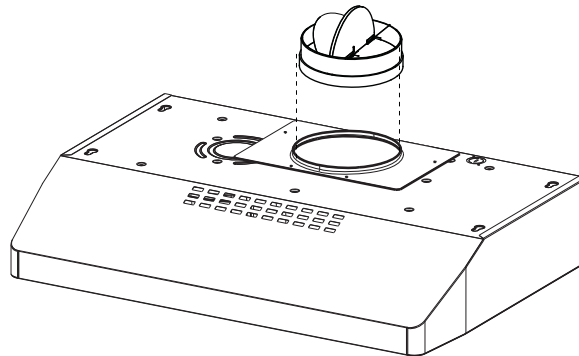


2 Install the Flange with Flange transition screws **F**.

NOTE: The Flange must be mounted with the lip facing upward. Only use the screws provided for the flange



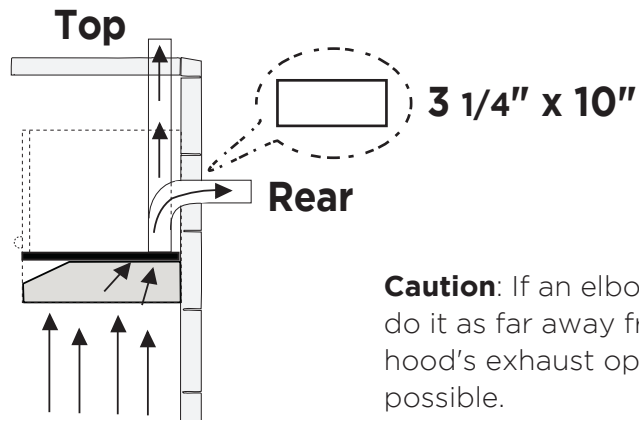
3 Install 7" Round Damper purchased separately. Secure damper with foil duct tape.



4 Connect the 7" Round Metal Ductwork to the Roof or Wall Cap purchased separately and then attach ductwork.

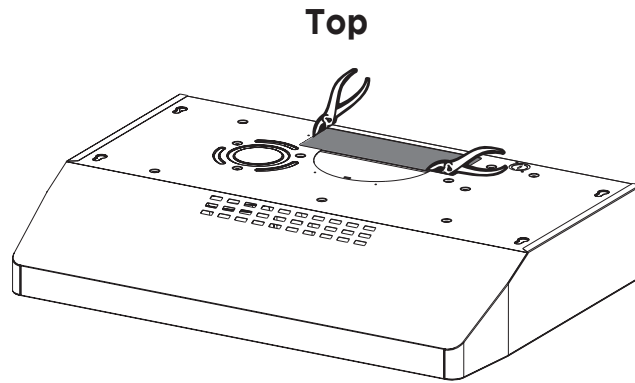
Go to page 19

DUCTED - 3 1/4" X 10" RECTANGULAR OUTLET ON TOP

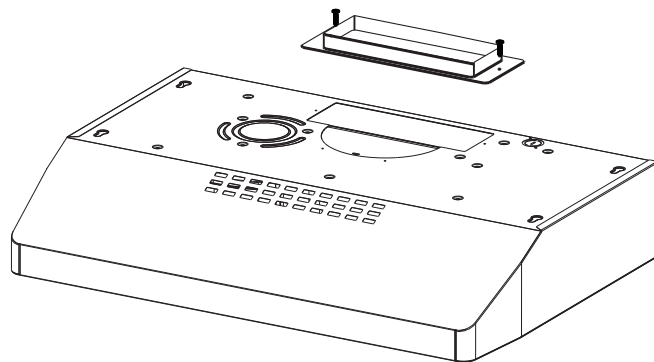


Caution: If an elbow is required, do it as far away from the hood's exhaust opening as possible.

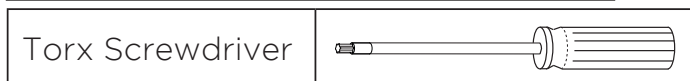
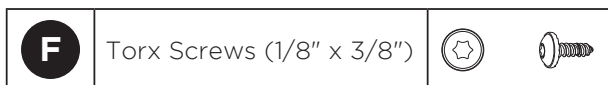
- 1 Choose the rectangular upper air outlet or rectangular rear air outlet and cut where indicated (See page 17 for Rear Outlet).



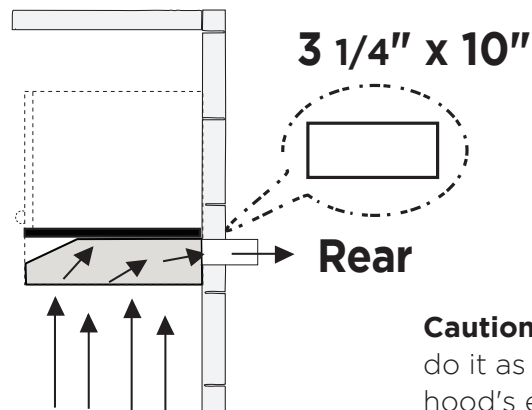
- 2 Install the included rectangular air outlet with two screws **F**.



- 3 Connect the metal ductwork to the Roof or Wall Cap purchased separately and then attach ductwork.



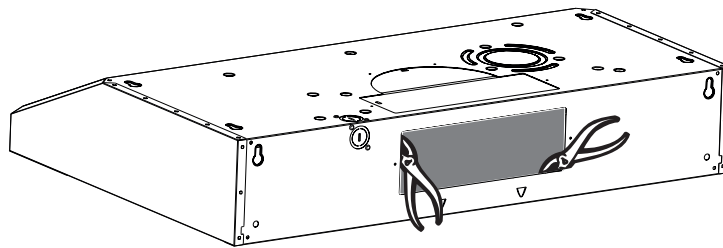
DUCTED - 3 1/4" X 10" RECTANGULAR OUTLET REAR



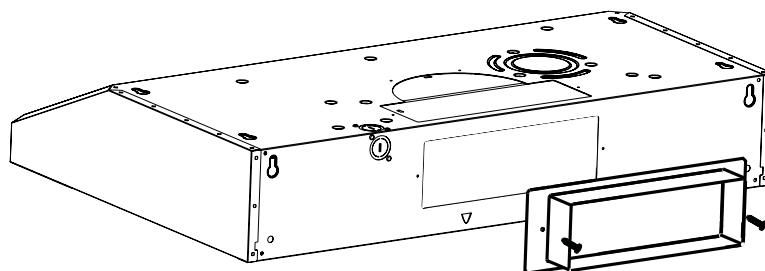
Caution: If an elbow is required, do it as far away from the hood's exhaust opening as possible.

- 1 Use the rear air outlet and cut where indicated.

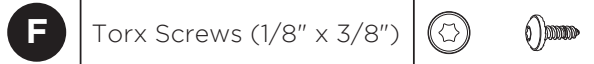
Rear



- 2 Install the included rectangular air outlet with two screws **F**.



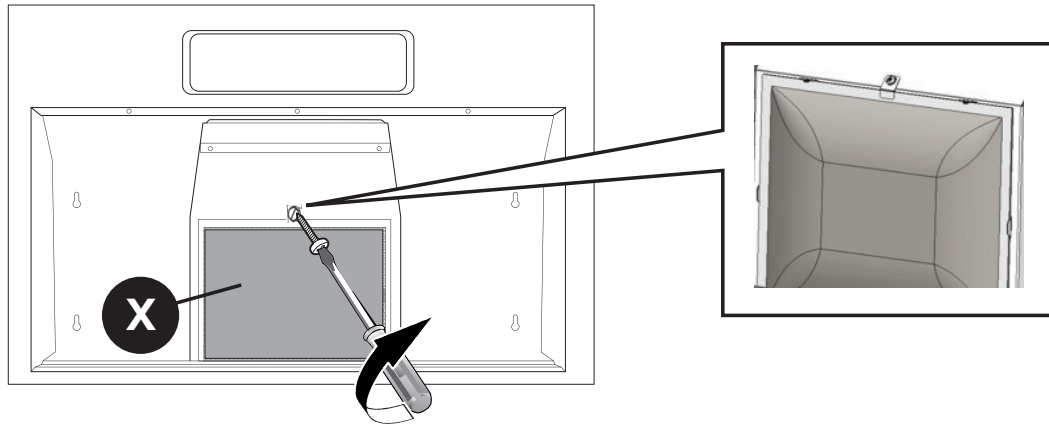
- 3 Connect the metal ductwork to the Roof or Wall Cap purchased separately and then attach ductwork.



Go to page 19

NON DUCTED RECIRCULATION OPTION

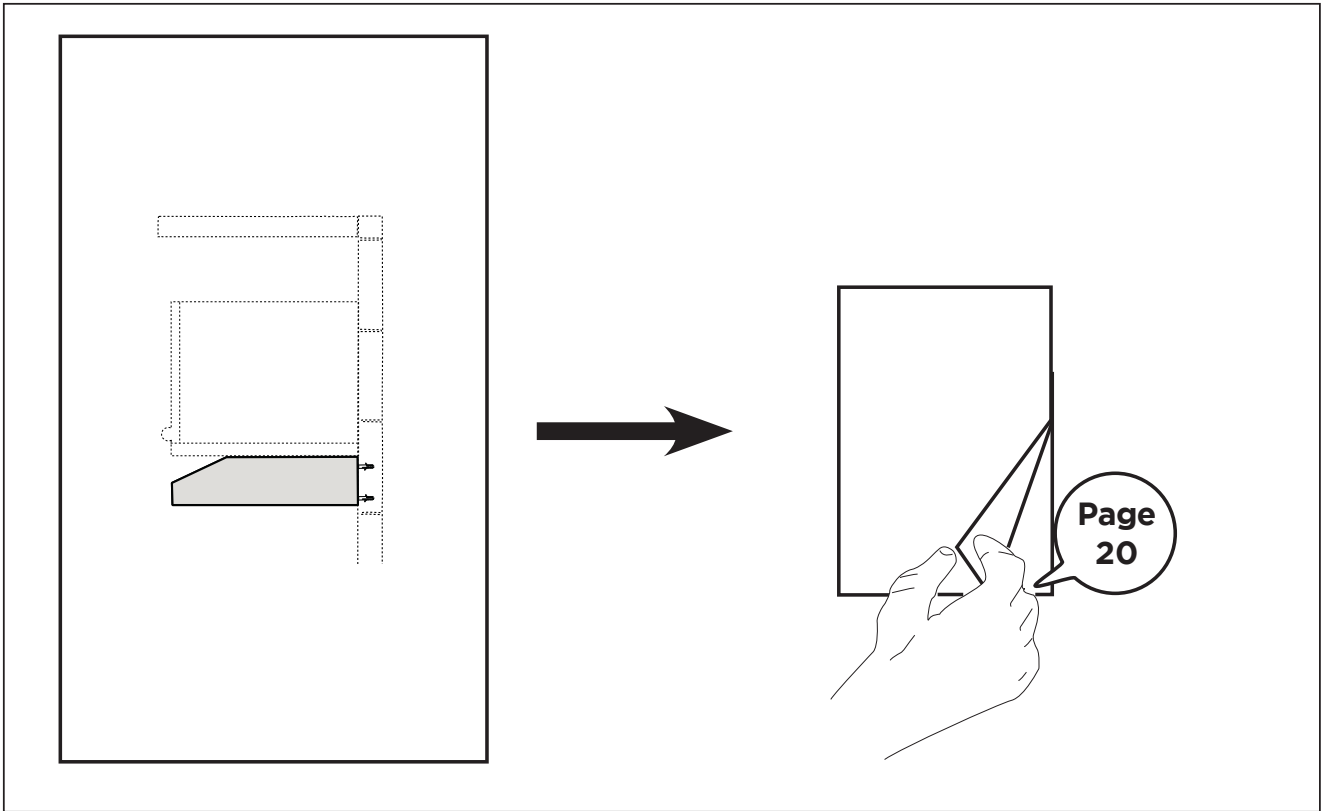
- 1 Install the charcoal filter **X** and attach the screw as shown.



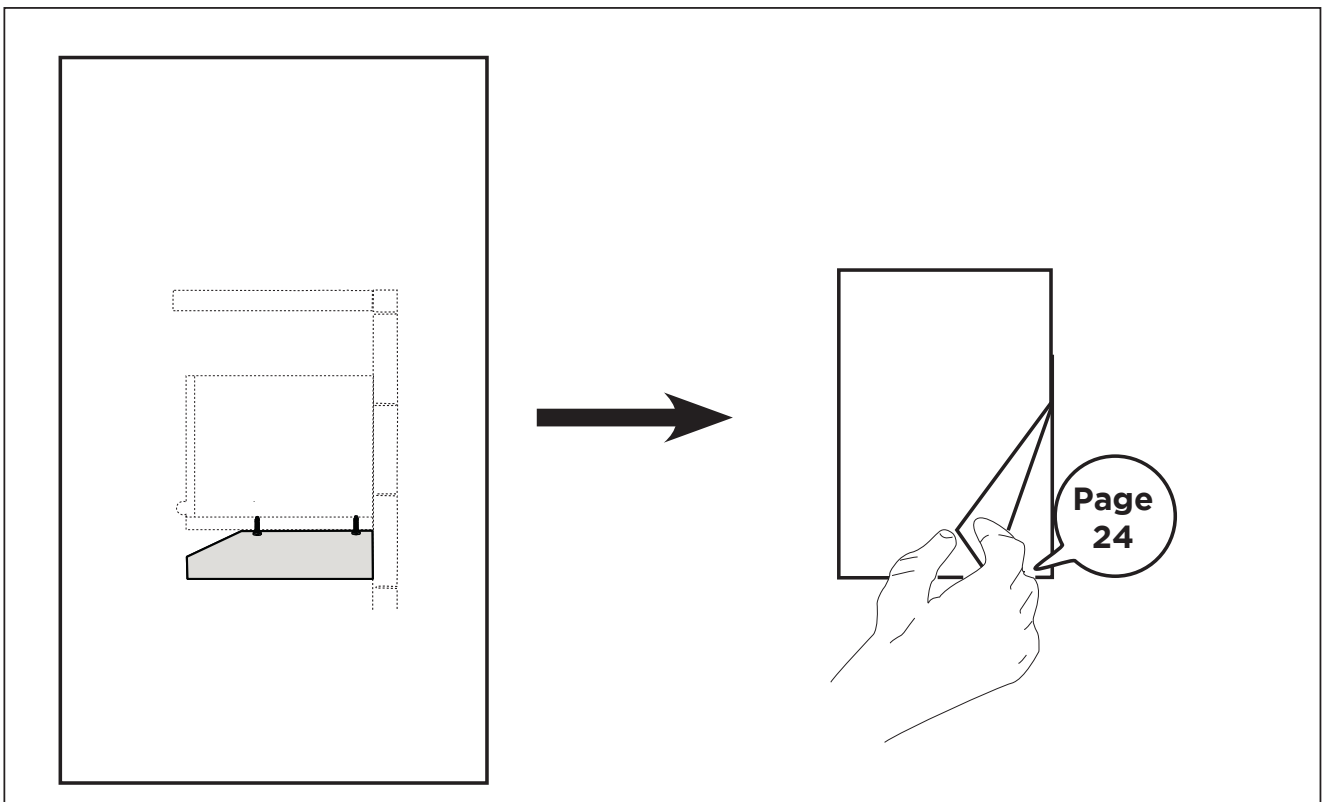
Go to page 19

CHOOSING THE MOUNTING METHOD

Installation for Mounting on the Wall



Installation for Mounting to the cabinet

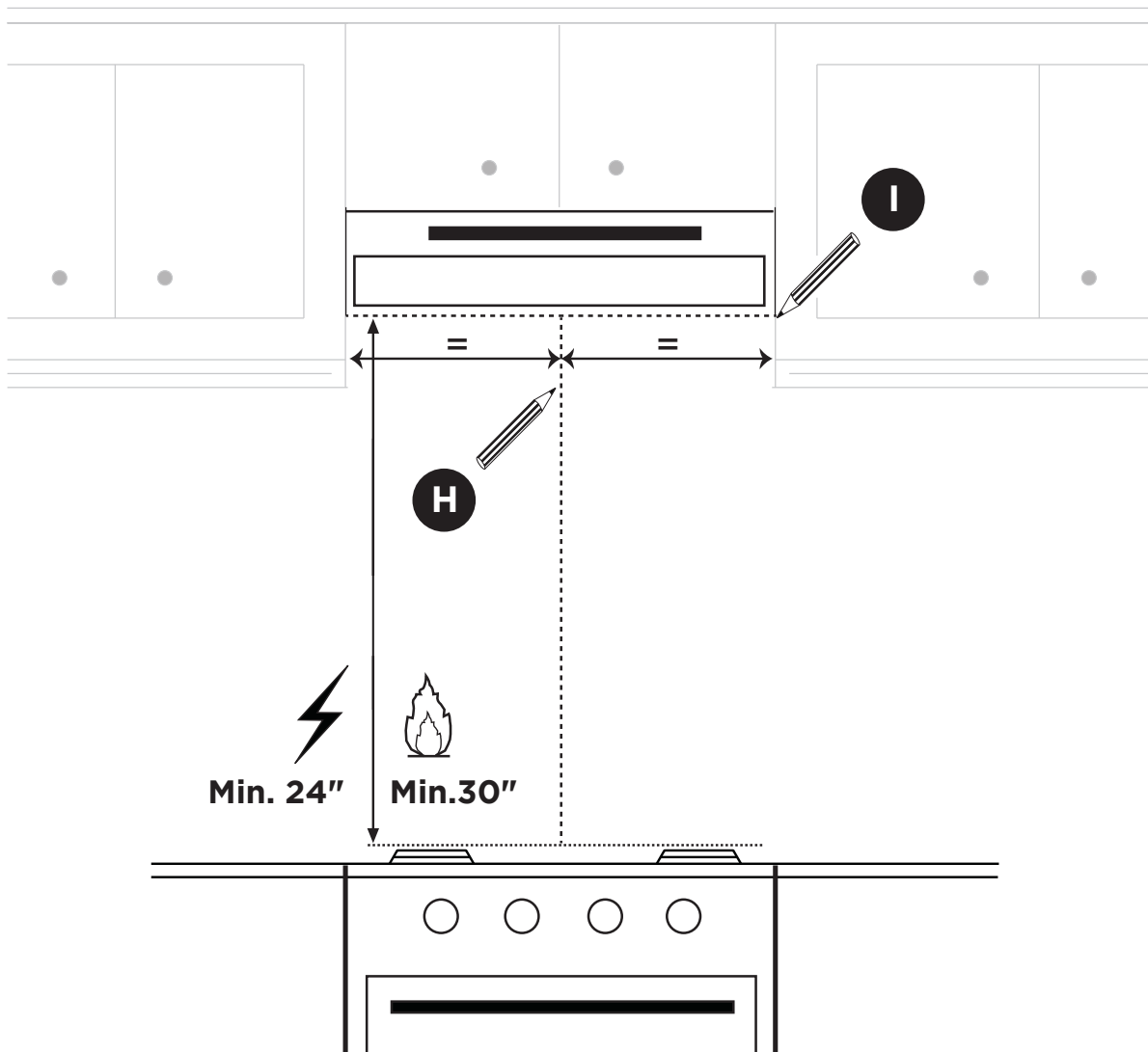


MOUNTING RANGE HOOD ON WALL

1 DRAW POSITIONING LINES

Draw a vertical line **H** from the supporting back wall to the ceiling or upper limit, at the center of the area in which the hood will be installed.

Draw a horizontal line **I** from where the bottom edge of hood will be located, to a minimum of 24" above an electric cooking surface and 30" above a gas cooking surface.



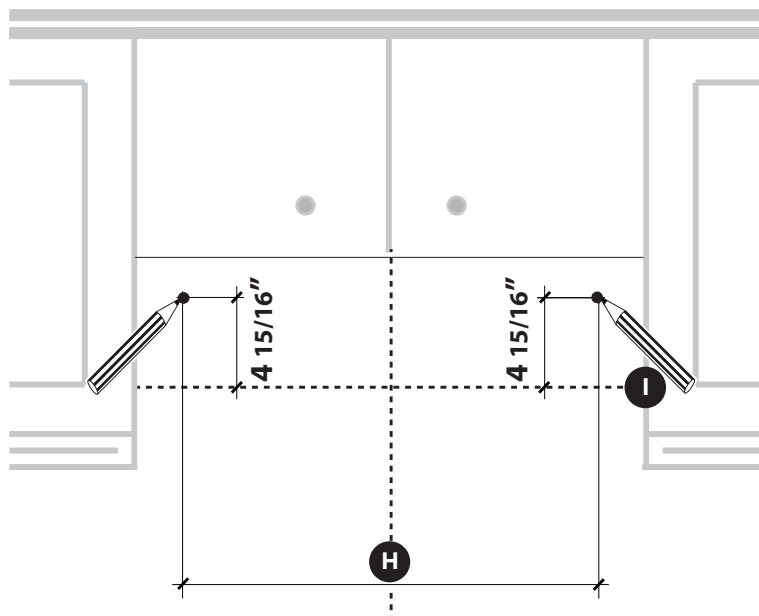
MIN. 24" OVER ELECTRIC/MIN. 30" OVER GAS

MOUNTING RANGE HOOD ON WALL

2

Mark the wall for the upper anchors.

Mark the wall where indicated $4 \frac{15}{16}$ " above the horizontal **I** line at **J** distance on the left and right of the vertical line **H**.



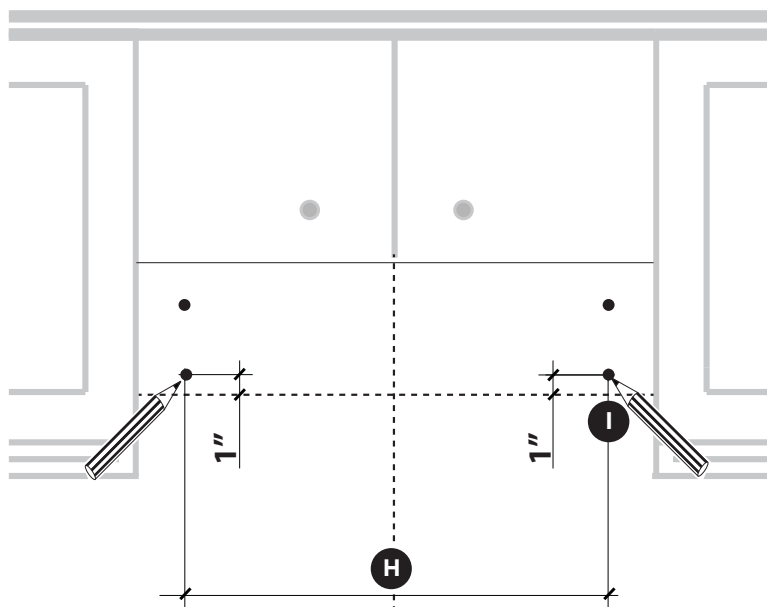
$$24'' = 21 \frac{3}{8}''$$

$$\text{J } 30'' = 27 \frac{3}{8}''$$

3

Mark the wall for lower anchors.

Mark 1" below the Step 2. Upper Anchors. Take care to keep level.

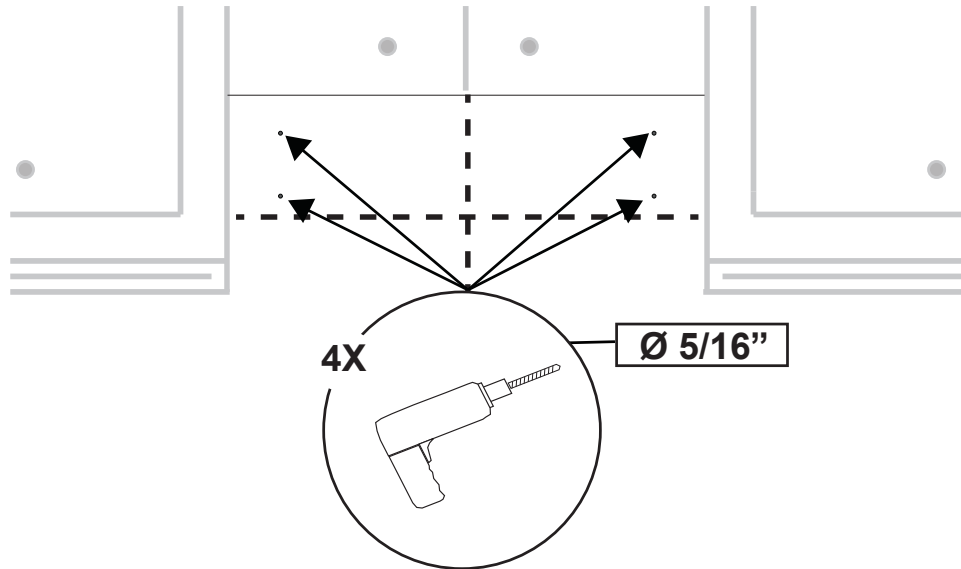


$$24'' = 21 \frac{3}{8}''$$

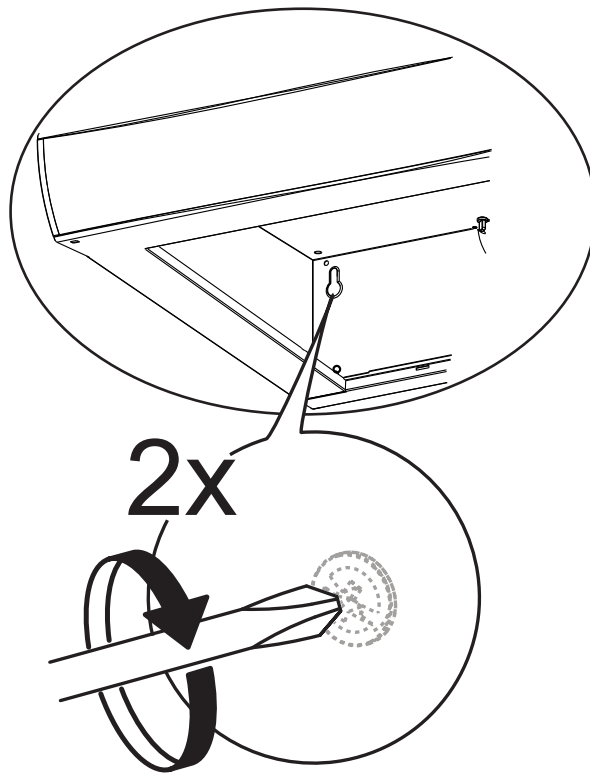
$$\text{J } 30'' = 27 \frac{3}{8}''$$



MOUNTING RANGE HOOD ON WALL

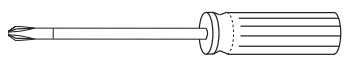
- 4** Drill a 3/16th hole directly into the wall at the center points marked in step 3. If fastener locations do not align with the studs, insert the purchased wall plugs in the holes.



- 5** In upper holes use two of the supplied screws **E** to secure the hood body to the wall.

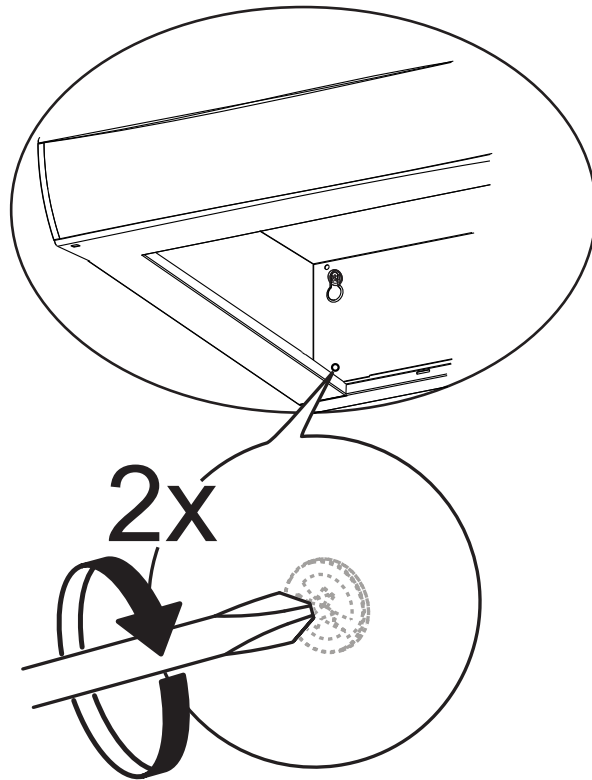




E	Pozi Screws (3/16" x 1 15/16")		
----------	--------------------------------	---	--

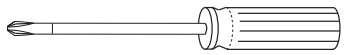
Pozi Screwdriver	
------------------	---

MOUNTING RANGE HOOD ON WALL

6 Using two remaining screws **E** anchor the hood in lower holes as indicated.



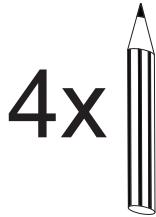
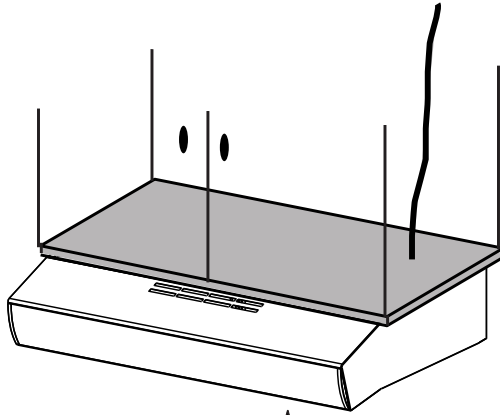
E	Pozi Screws (3/16" x 1 15/16")		
----------	--------------------------------	---	--

Pozi Screwdriver	
------------------	---

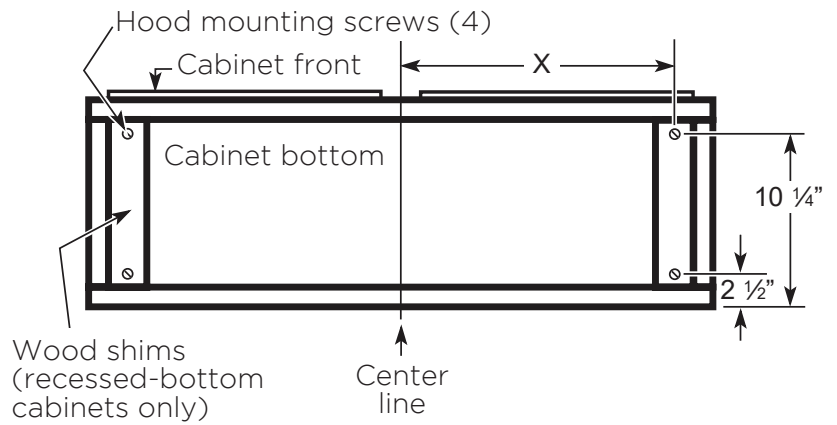
MOUNTING RANGE HOOD UNDER THE CABINET

- 3** Mark the holes for attaching the hood to the cabinet. Verify the measurement with the diagram on the previous page.

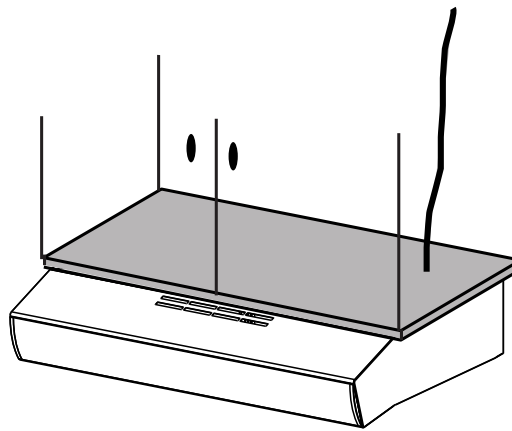
NOTE: Drive the 4 **E** screws partway into the bottom of the cabinet (or wood shims).





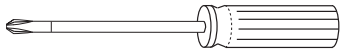
Cabinet	X
24"	10 3/4"
30"	13 3/4"



- 4** Attach the Hood body with 4 screws **E** from the bottom available with the hood.



E	Pozi Screws (3/16" x 1 15/16")		
----------	--------------------------------	---	--

Pozi Screwdriver	
------------------	---

CONNECTING ELECTRICITY

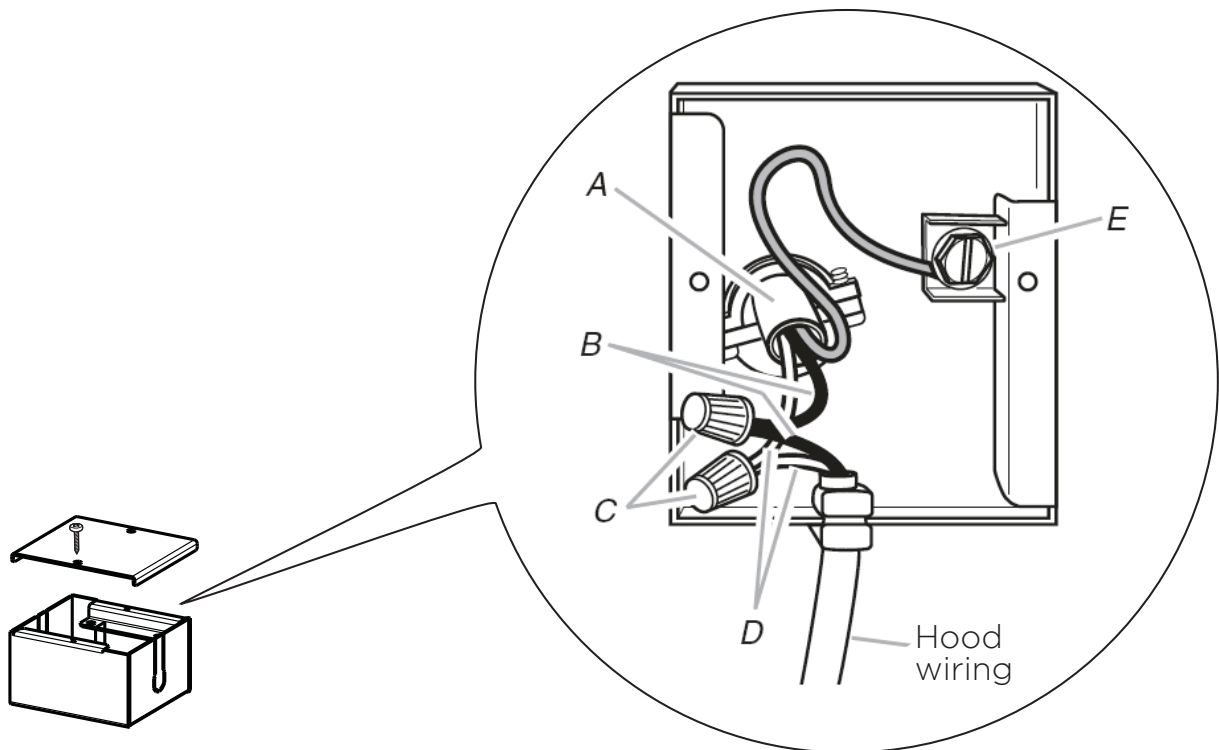
1 Connecting the House Power.

Caution! Do not turn on the house power until the installation is complete.

- Feed the Power Supply Cable through the electrical knock out.

2 Wiring Box Connections.

- Attach the White lead of the Power Supply (**A**) to the White lead of the Range Hood (**D**) with a twist-on type connector (**C**).
- Attach the Black lead of the Power Supply to the Black lead of the Range Hood (**B**) with a twist-on type wire connector (**C**).
- Connect the Green (**E**) (Green and Yellow) ground wire under the grounding screw.

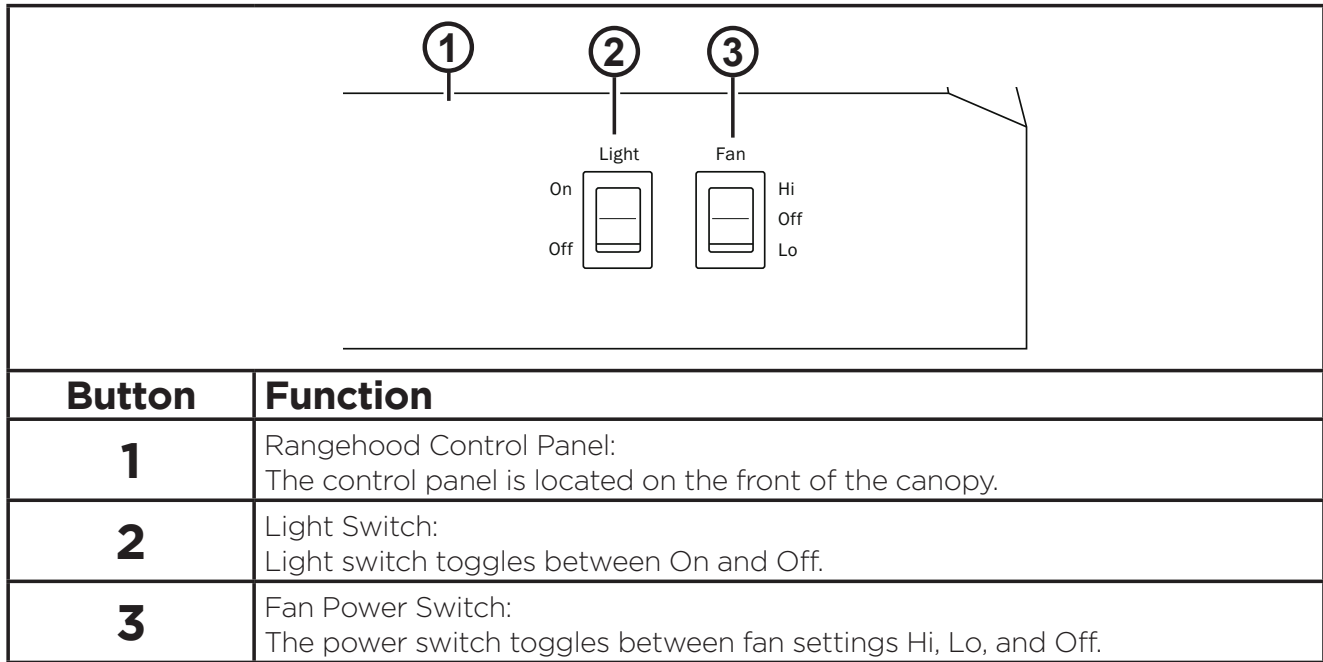


3 Replace the field wiring compartment cover and the grease filters

OPERATING THE CONTROLS

FOR BEST RESULTS

Start the Range Hood several minutes before cooking to develop proper airflow. Allow the Range Hood to operate for several minutes after cooking is complete to clear all smoke and odors from the kitchen.



Painted Surfaces (on some models)

Do not use a steel wool pads or other abrasive cleaners; they will scratch the surface.

Clean grease-laden surfaces of the hood frequently. To clean the hood surface, use a hot, damp cloth with a mild detergent suitable for painted surfaces. About one tablespoon of ammonia may be added to the water. Use a clean, hot, damp cloth to remove soap. Dry with a dry, clean cloth.

NOTE: When cleaning, take care not to come in contact with filters and other surfaces.

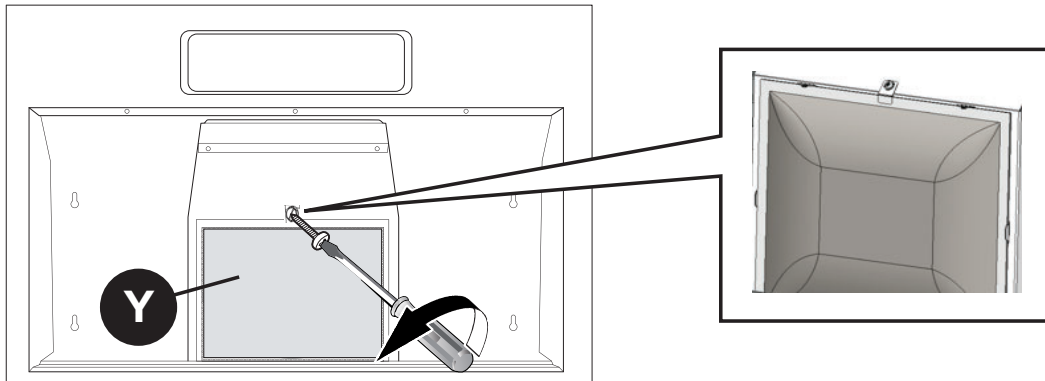
⚠ CAUTION When cleaning the hood surfaces, be certain that you do not touch the light with moist hands or cloth. A warm or hot light may break if touched with a moist surface. Always let the light cool completely before cleaning around it.

CARING FOR FILTERS

CLEANING METAL GREASE FILTERS

The metal grease filters can be cleaned in hot detergent solution or washed in the dishwasher. They should be cleaned every 2 months use, or more frequently if use is particularly heavy.

- 1 Remove the screw as shown and take out the grease filter **Y**.



- 2 Wash the filter without bending it. Leave it to dry thoroughly before replacing. If the surface of the filter changes color over time, efficiency will not be affected.
- 3 Fit the tabs at the bottom of the filter into the slots in the back of the filter opening. Lift up the front side of the filter and push gently until the filter locks into place. Attach the filter and lock it with the screw previously removed.

NOTES:

- Cleaning in a dishwasher may dull the finish of the metal grease filters.
- Ensure that the filters are completely dry before installing them back into the Range Hood.

CLEANING EXTERIOR SURFACES

Please note, abrasives and scouring agents can scratch range hood finishes and should not be used to clean finished surfaces.

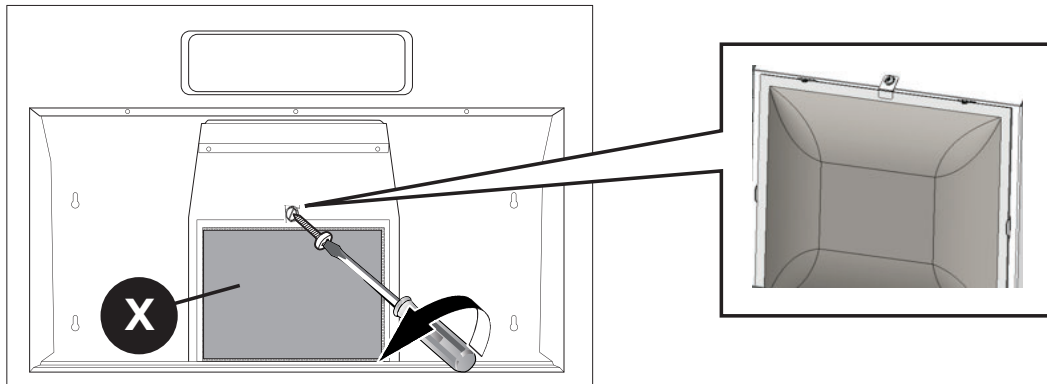
Stainless Steel finish cleaning instructions:

Clean exterior surfaces with a commercially available stainless steel cleaner.

REPLACING ACTIVATED CHARCOAL FILTER

The Activated Charcoal Filters are not washable and cannot be regenerated, and must be replaced approximately every 4 months of operation, or more frequently with heavy usage. Contact Faber for more information on the replacement charcoal. DO NOT rinse, or put charcoal filters in an automatic dishwasher.

- 1 Remove the screw as shown and take out the charcoal filter **X**.



- 2 Pull down on the center of the front edge of the filter. The filter will then slip out of the retaining tabs on the back. To replace, Slip the back edge of the filter into the retaining tabs and push the front edge up until it snaps into place. Attach the filter and lock it with the screw previously removed.



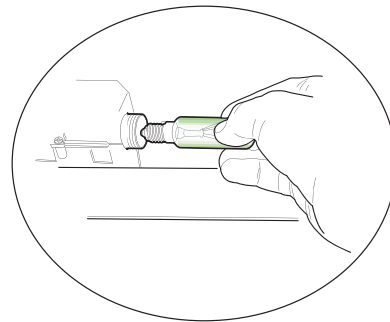
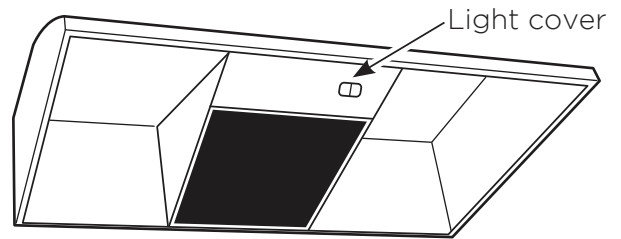
REPLACING LIGHTING

Suggested replacement with a type A15 incandescent bulb, E26, 40 watts

- 1** Before attempting to replace the lights, make sure that the light switch is turned off.
- 2** Remove the light cover by pressing the sides with two fingers until the side prongs are released. Lift the light cover and slide it toward you in one motion.
- 3** Unscrew light counterclockwise to unlock light and pull out. Replace with new light of same type (standard incandescent), making sure socket is properly inserted into the housing of the lamp holder.

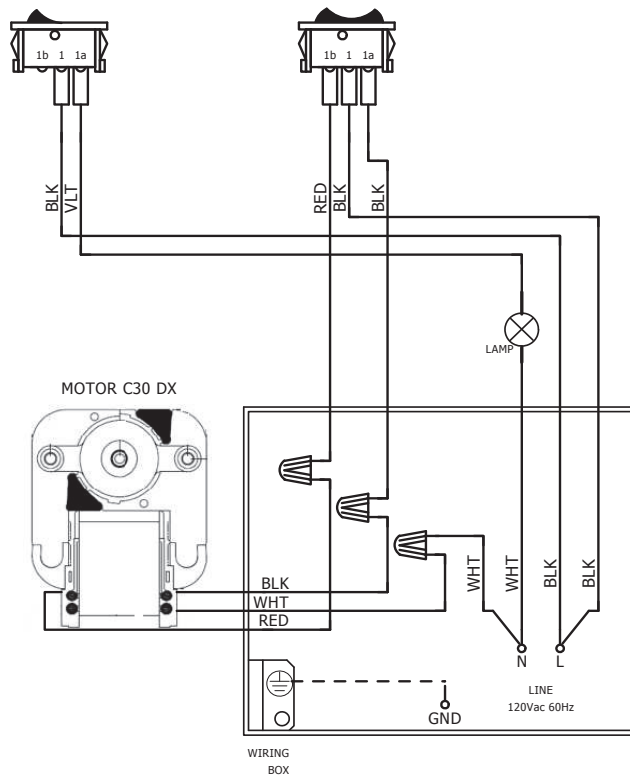
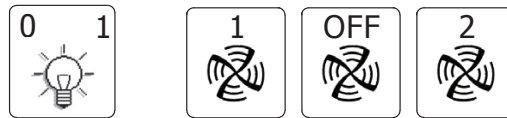
Attention: The bulbs could be hot, please wait some minutes before the replacing.

- 4** To replace the light cover, insert the prong located at the end of the cover into the top opening. Gently push the cover up and press the sides to fit the side prongs into the side openings. Release and the cover will lock into position.



WIRING DIAGRAM

HOOD INTERNAL CONTROL



WARRANTY



FABER CONSUMER WARRANTY & SERVICE

All Faber products are warranted against any defect in materials or workmanship for the original purchaser for a period of 1 year from the date of original purchase (requires proof of purchase). This warranty covers labor and replacement parts. Faber, at its option, may repair or replace the product or components necessary to restore the product to good working condition. To obtain warranty service, contact the dealer from whom you purchased the range hood, or the local Faber distributor. If you cannot identify a local Faber distributor, contact us at (508) 358-5353 for the name of a distributor in your area.

The following is not covered by Faber's warranty:

1. Service calls to correct the installation of your range hood, to instruct you how to use your range hood, to replace or repair house fuses or to correct house wiring or plumbing.
2. Service calls to repair or replace range hood light bulbs, fuses or filters. Those consumable parts are excluded from warranty coverage.
3. Repairs when your range hood is used for other than normal, single-family household use.
4. Damage resulting from accident, alteration, misuse, abuse, fire, flood, acts of God, improper installation, installation not in accordance with electrical or plumbing codes or Faber documentation, or use of products not approved by Faber.
5. Replacement parts or repair labor costs for units operated outside the United States or Canada, including any non-UL or C-UL approved Faber range hoods.
6. Repairs to the hood resulting from unauthorized modifications made to the range hood.
7. Expenses for travel and transportation for product service in remote locations and pickup and delivery charges. Faber range hoods should be serviced in the home.

THIS WARRANTY DOES NOT ALLOW RECOVERY OF INCIDENTAL OR CONSEQUENTIAL DAMAGES, INCLUDING, WITHOUT LIMITATION, DIRECT, INDIRECT, INCIDENTAL, SPECIAL OR CONSEQUENTIAL DAMAGES, PERSONAL INJURY/WRONGFUL DEATH OR LOST PROFITS FABER WARRANTY IS LIMITED TO THE ABOVE CONDITIONS AND TO THE WARRANTY PERIOD SPECIFIED HEREIN AND IS EXCLUSIVE. EXCEPT AS EXPRESSLY SPECIFIED IN THIS AGREEMENT, FABER DISCLAIMS ALL EXPRESS OR IMPLIED CONDITIONS, REPRESENTATIONS, AND WARRANTIES INCLUDING, WITHOUT LIMITATION, ANY IMPLIED WARRANTIES OF MERCHANTABILITY OR FITNESS FOR A PARTICULAR PURPOSE.

This warranty gives you specific legal rights that may vary from state to state.

Model#: _____

Serial #: _____

TABLE DES MATIÈRES

Section	Page
Importantes consignes de sécurité	34
Dimensions de la hotte	38
Hauteur requise pour l'installation	39
Pièces	40
Outils requis	41
Choisir l'entrée électrique défonçable verticale ou horizontale	42
Options avec ventilation canalisée	45
Canalisation - conduit circulaire 7"	46
Canalisation - conduit rectangulaire 3 1/4" x 10" du dessus	48
Canalisation - conduit rectangulaire 3 1/4" x 10" à l'arrière	49
Choisir la méthode de montage	51
Montage de la hotte au mur	52
Montage de la hotte sous l'armoire	56
Branchement électrique	58
Utilisation des commandes	59
Entretien des filtres	60
Remplacement de l'éclairage	62
Schéma de câblage	63
Garantie	64

IMPORTANTES CONSIGNES DE SÉCURITÉ

VEUILLEZ LIRE ET CONSERVER LA PRÉSENTE NOTICE AVANT DE COMMENCER L'INSTALLATION DE LA HOTTE DE CUISINE

AVERTISSEMENT: - POUR RÉDUIRE LE RISQUE D'UN FEU DE GRAISSE SUR LA TABLE DE CUISSON:

- a) Ne laissez jamais sans surveillance les éléments de la surface de cuisson à température élevée. Les bouillonnements excessifs peuvent provoquer de la fumée et les débordements de graisse peuvent s'enflammer. L'huile doit être chauffée lentement, à une température basse ou moyenne.
- b) Assurez-vous de toujours mettre en marche la hotte lorsque vous cuisinez à température élevée ou préparez un mets flambé (p.ex. crêpes Suzette, cerises jubilé, bœuf flambé).
- c) Nettoyez régulièrement les ventilateurs d'aspiration. Assurez-vous de ne pas laisser de la graisse s'accumuler sur le ventilateur ou le filtre.
- d) Utilisez toujours des poêles et casseroles de la taille appropriée. Utilisez toujours des ustensiles de cuisine de la taille adaptée à celle de l'élément chauffant.

AVERTISSEMENT: - POUR PRÉVENIR LES BLESSURES EN CAS DE FEU DE GRAISSE SUR LA TABLE DE CUISSON, SUIVEZ LES RECOMMANDATIONS SUIVANTES*:

- a) **ÉTOUFFEZ LES FLAMMES** à l'aide d'un couvercle hermétique, d'une plaque à biscuits ou d'un plateau métallique, puis éteignez le brûleur. **FAITES ATTENTION AUX BRÛLURES.** Si le feu ne s'éteint pas immédiatement, **QUITTEZ LES LIEUX ET APPELEZ LES POMPIERS.**
- b) **NE PRENEZ JAMAIS UNE CASSEROLE EN FLAMME** - Vous pourriez vous brûler.
- c) **N'UTILISEZ JAMAIS DE L'EAU**, ni un linge à vaisselle ou un torchon mouillé, pour éteindre le feu. Cela pourrait provoquer une violente explosion de vapeur.
- d) Utilisez un extincteur **UNIQUEMENT** si:
 1. Vous êtes certain qu'il s'agit d'un extincteur de classe ABC et que vous connaissez bien son mode d'emploi.
 2. Le feu est de faible intensité et se limite à l'endroit où il a démarré.
 3. Les pompiers ont déjà été appelés.
 4. Une voie de sortie se trouve derrière vous pendant que vous éteignez les flammes.

* D'après le guide «Kitchen Firesafety Tips» publié par la NFPA aux États-Unis

AVERTISSEMENT - POUR RÉDUIRE LE RISQUE D'INCENDIE OU DE CHOC ÉLECTRIQUE, n'utilisez jamais ce ventilateur en association avec un dispositif de réglage de vitesse à semi-conducteurs.

AVERTISSEMENT - POUR RÉDUIRE LES RISQUES D'INCENDIE, DE CHOC ÉLECTRIQUE OU DE BLESSURE CORPORELLE, RESPECTEZ LES INSTRUCTIONS SUIVANTES:

1. Utilisez cet appareil uniquement de la façon prévue par le fabricant. Pour toute question, communiquez avec le fabricant.
2. Avant de procéder à l'entretien ou au nettoyage de l'appareil, coupez l'alimentation au niveau du panneau électrique et verrouillez-le pour vous assurer que l'électricité n'est pas rétablie accidentellement. S'il n'est pas possible de verrouiller le dispositif d'interruption de l'alimentation, affichez de façon ferme et bien visible un avis de danger, par exemple à l'aide d'une étiquette sur le panneau.

ATTENTION : Destiné à un usage de ventilation générale uniquement. N'utilisez pas ce dispositif pour l'aspiration de vapeurs ou de matériaux dangereux ou explosifs.

AVERTISSEMENT - POUR RÉDUIRE LES RISQUES D'INCENDIE, DE CHOC ÉLECTRIQUE OU DE BLESSURE CORPORELLE, RESPECTEZ LES INSTRUCTIONS SUIVANTES :

1. L'installation et le branchement électrique doivent être réalisés par un technicien qualifié

et conformément à tous les codes et normes en vigueur, incluant ceux concernant la construction à l'épreuve du feu.

- 2. Afin de garantir une combustion et une évacuation adéquates des gaz par les conduites de la cheminée des appareils à combustion, une bonne aération est nécessaire pour éviter le refoulement. Respectez les lignes directrices fournies par le fabricant du matériel chauffant, ainsi que les normes de sécurité comme celles publiées par la National Fire Protection Association (NFPA) et la American Society for Heating, Refrigeration and Air Conditioning Engineers (ASHRAE) aux États-Unis, ainsi que les codes en vigueur dans votre région.**
- 3. Lorsque vous faites une ouverture ou percez dans un mur ou le plafond, veillez à ne pas endommager les fils électriques ou d'autres dispositifs cachés.**
- 4. Les ventilateurs canalisés doivent toujours être raccordés à l'extérieur.**

TOUTE OUVERTURE DANS LE MUR OU LE PLANCHER À PROXIMITÉ DE LA HOTTE DOIT ÊTRE SCELLÉE.

Un espace libre d'au moins 24" est requis entre le bas de la hotte et la surface de cuisson ou le comptoir. Cette hotte a été homologuée par l'UL à cette distance de la surface de cuisson. L'espace libre minimal requis peut-être plus grand, selon la réglementation en matière de construction de votre région. Pour les cuisinières à gaz et les cuisinières combinées, un espace minimal de 30" est recommandé et pourrait être exigé.

Les armoires suspendues de chaque côté de l'appareil doivent se trouver à au moins 18" de la surface de cuisson ou du comptoir. Consultez la notice d'installation de la surface de cuisson ou de la cuisinière fournie par le fabricant avant de pratiquer des ouvertures.

INSTALLATION DANS UNE MAISON MOBILE L'installation de cette hotte doit être conforme à la Partie 3280 de la norme Manufactured Home Construction and Safety Standards, Title 24 CFR (précédemment la partie 280 de la norme Federal Standard for Mobile Home Construction and Safety, Title 24, HUD). Consultez la fiche technique électrique"

CRITÈRES DE VENTILATION

Déterminez quelle méthode de ventilation est mieux adaptée à votre application. Les conduits peuvent passer par le mur ou le toit.

Pour garantir une meilleure efficacité, la longueur des conduits et le nombre de coudes doivent être le plus limités que possible. Le diamètre des conduits devrait être uniforme. N'installez pas deux coudes ensemble. Utilisez un ruban pour canalisations afin de sceller tous les joints du système de conduits. Utilisez un calfeutrage pour sceller les ouvertures dans le mur extérieur ou le plancher, autour du clapet.

Il n'est pas recommandé d'utiliser des conduits flexibles. Les conduits flexibles provoquent une contre-pression et de la turbulence qui diminuent grandement l'efficacité de l'appareil.

Assurez-vous que l'espace libre dans le mur ou le plancher est suffisant pour le conduit d'évacuation avant de pratiquer les ouvertures. Ne coupez jamais une poutre ou un chevron, sauf si c'est absolument nécessaire. S'il s'avère nécessaire de couper une poutre ou un chevron, la construction d'un renforcement est requise.

AVERTISSEMENT - Pour réduire le risque d'incendie, utilisez uniquement des conduits métalliques.

ATTENTION - Pour réduire le risque d'incendie et pour évacuer adéquatement l'air, assurez-vous de raccorder les conduits à l'extérieur - Ne diffusez pas l'air d'évacuation dans des espaces à l'intérieur des murs ou du plafond, ou encore à l'intérieur d'un grenier, d'une galerie technique ou d'un garage.

Installation dans les climats froids

Le système de ventilation doit prévoir un registre antirefoulement supplémentaire pour réduire le flux d'air froid inverse, ainsi qu'une barrière thermique non métallique pour réduire la conduction des températures extérieures. Le registre doit être installé du côté air froid par rapport à la barrière thermique. La barrière thermique doit être positionnée le plus près que possible de l'endroit où le système de ventilation pénètre dans la partie chauffée de la maison.



AVERTISSEMENT

- Le système de ventilation DOIT déboucher à l'extérieur.
- **NE FAITES PAS** déboucher les conduits dans un grenier ou un autre endroit fermé.
- **N'UTILISEZ PAS** un clapet de sècheuse mural de 4".
- Il n'est pas recommandé d'utiliser des conduits flexibles.
- **N'ENTRAVEZ PAS** le flux de l'air de combustion et de ventilation.
- Le non-respect des exigences en matière de ventilation pourrait entraîner un incendie.

FICHE TECHNIQUE ÉLECTRIQUE

Une alimentation de courant alternatif de 120 volts à 60 Hz est requise sur un circuit à fusible distinct de 15 ampères. Il est recommandé d'installer un fusible temporisé ou un disjoncteur. Le fusible doit être calibré conformément aux codes en vigueur pour les caractéristiques nominales électriques de l'appareil, indiquées sur la plaque signalétique située à l'intérieur de l'appareil, à proximité du compartiment des câblages externes.

INSTALLATION ÉLECTRIQUE AVEC BOÎTIER DE CONNEXION

CET APPAREIL DOIT ÊTRE UNIQUEMENT BRANCHÉ À L'AIDE DE FILS DE CUIVRE. Le calibre des fils doit être conforme aux critères de la dernière édition du National Electrical Code, de l'ANSI/NFPA 70 et de l'ensemble des codes et réglementations en vigueur. Le calibre des fils et les connexions doivent être adaptés aux caractéristiques nominales de l'appareil. Il est possible de se procurer un exemplaire des normes indiquées ci-dessus en communiquant avec:

National Fire Protection Association
Batterymarch Park
Quincy, Massachusetts 02269 (États-Unis)

Cet appareil devrait être branché directement au sectionneur à fusible (ou au disjoncteur) par un câble flexible de cuivre avec blindage ou gaine non métallique. Laissez un peu de jeu dans le câble pour permettre le déplacement de l'appareil si des travaux d'entretien s'avéraient nécessaires. Un raccord de conduit homologué par l'UL de 1/2" doit être installé aux deux extrémités du câble d'alimentation (au niveau de l'appareil et de la boîte de liaison).

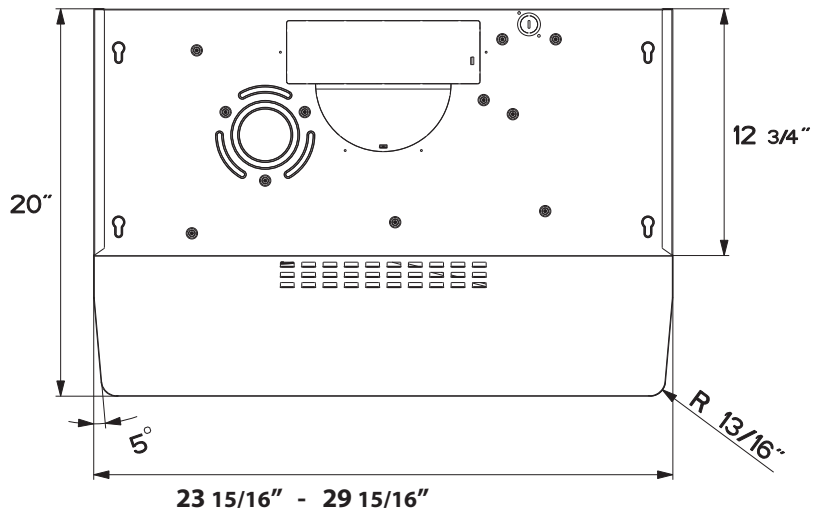
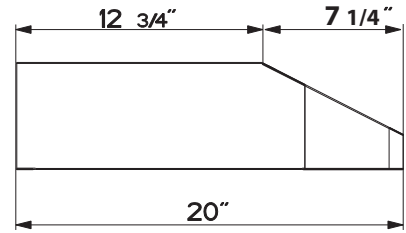
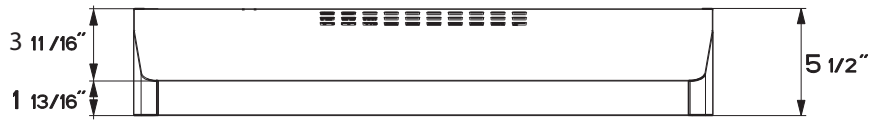
Lors de la réalisation du branchement électrique, réalisez un trou de 1 1/4" dans le mur. S'il s'agit d'un trou dans le bois, il doit être poncé pour le rendre lisse. S'il s'agit d'un trou dans le métal, un passe-fils est requis.



AVERTISSEMENT

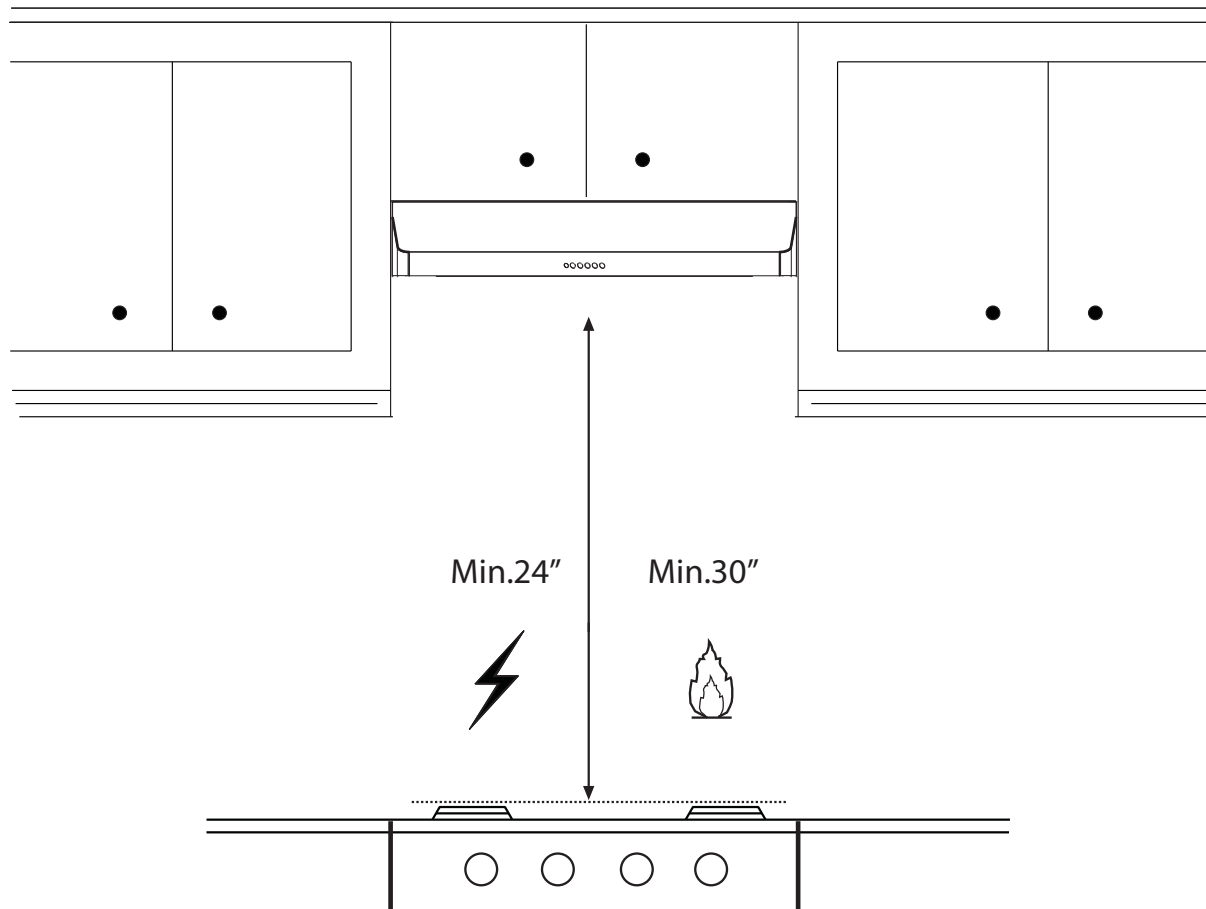
- Une mise à la terre électrique est requise pour cette hotte.
- N'UTILISEZ PAS un tuyau d'eau froide pour la mise à la terre si celui-ci est branché par des joints en plastique, par des rondelles non métalliques ou d'autres matériaux.
- N'UTILISEZ PAS une conduite de gaz pour la mise à la terre.
- N'INSTALLEZ PAS un fusible sur le circuit neutre ou le circuit de mise à la terre. La présence d'un fusible dans le circuit neutre ou de mise à la terre peut entraîner un choc électrique.
- Consultez un électricien qualifié si vous n'êtes pas certain de la mise à la terre de la hotte.
- Le non-respect des exigences de la fiche technique électrique pourrait entraîner un incendie.

DIMENSIONS DE LA HOTTE



HAUTEUR REQUISE POUR L'INSTALLATION





MIN. 24" AU-DESSUS D'UNE / MIN. 30" AU-DESSUS D'UNE
SURFACE ÉLECTRIQUE SURFACE AU GAZ

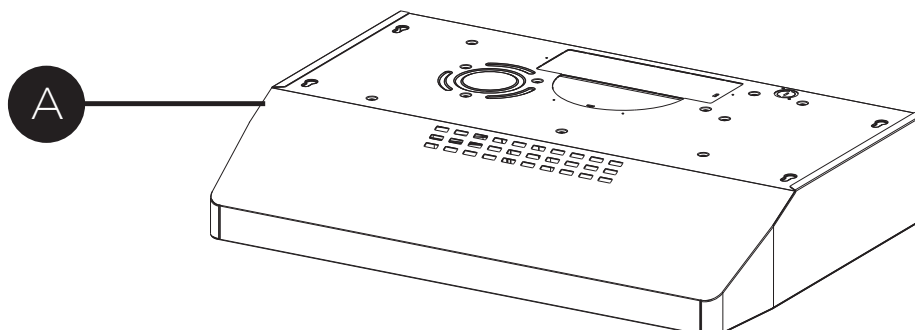
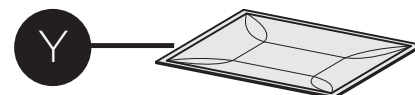
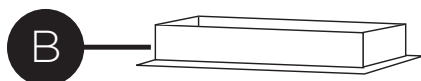
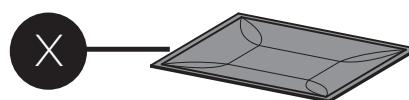
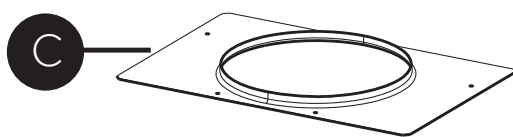


PIÈCES

PIÈCES INCLUSES


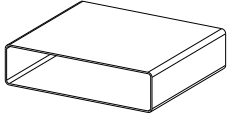




RÉF.	PIÈCE	
A	Bâti de la hotte - incluant commandes, éclairage, filtres, ventilateur	1
B	Registre (3 1/4" x 10")	1
C	Bride circulaire 7"	1
X	Filtre à charbon	1
Y	Filtre à graisse	1

RÉF.	PIÈCE			
E	Vis à tête Pozidriv (3/16" x 1 15/16")			4
F	Vis à tête étoile (1/8" x 3/8")			4

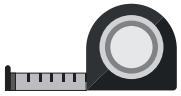

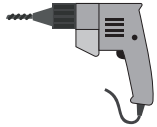
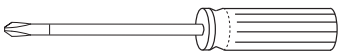




PIÈCES (suite)

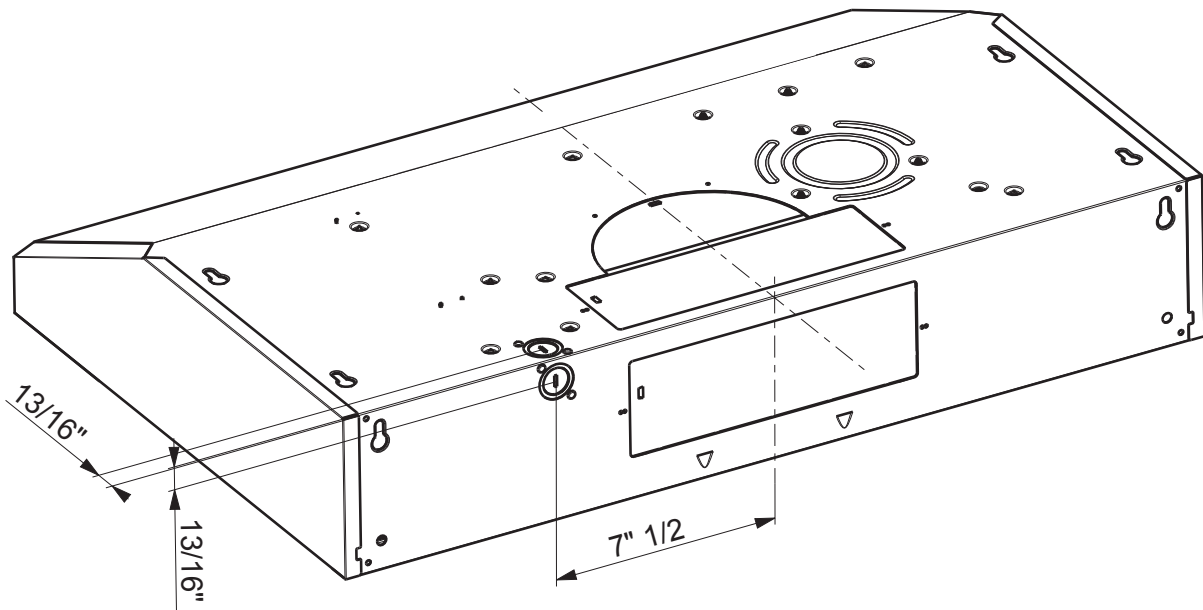
PIÈCES REQUISES

PIÈCE	
Conduit métallique 7" circulaire	
Conduit rectangulaire 3 1/4" x 10"	
Registre 7"	
Connecteurs de fils.	
Câble d'alimentation électrique.	
Cheilles pour cloison sèche ou autre système de fixation mural, en fonction de votre installation.	
Clapet de toiture/clapet mural (Doit être acheté séparément)	

OUTILS REQUIS

OUTILS	
Ruban à mesurer	
Crayon	
Perceuse électrique avec foret 5/16"	
Tournevis cruciforme	
Tournevis étoile	
Tournevis Pozidriv	

CHOISIR L'ENTRÉE ÉLECTRIQUE DÉFONÇABLE VERTICALE OU HORIZONTALE

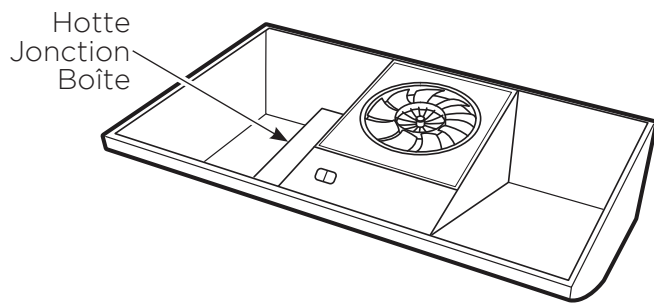


Préparation de la hotte pour les entrées prédécoupées électriques

1

PRÉPARATION DU SYSTÈME D'ÉLECTRICITÉ - RETRAIT DE LA BOÎTE DE JONCTION DE LA HOTTE

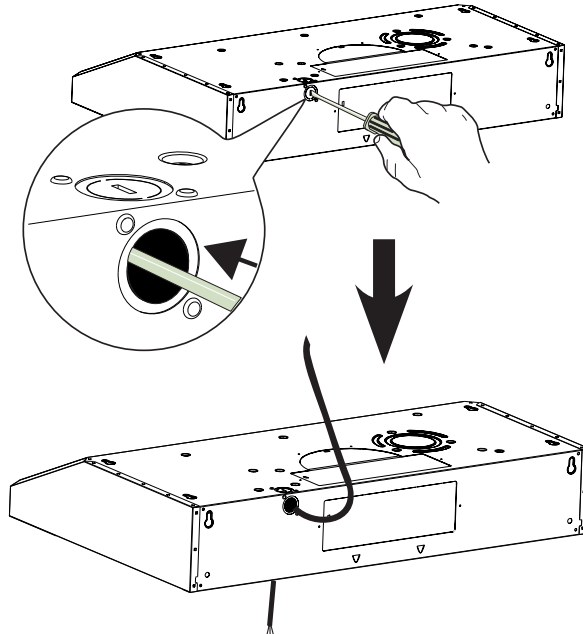
Retirez la boîte de jonction de l'intérieur de la hotte. Mettez le couvercle et ses vis de fixation de côté.



2 Trou arrière (horizontal)

Choisissez le trou arrière pour le branchement électrique et percez-le avec un tournevis ou un autre outil.

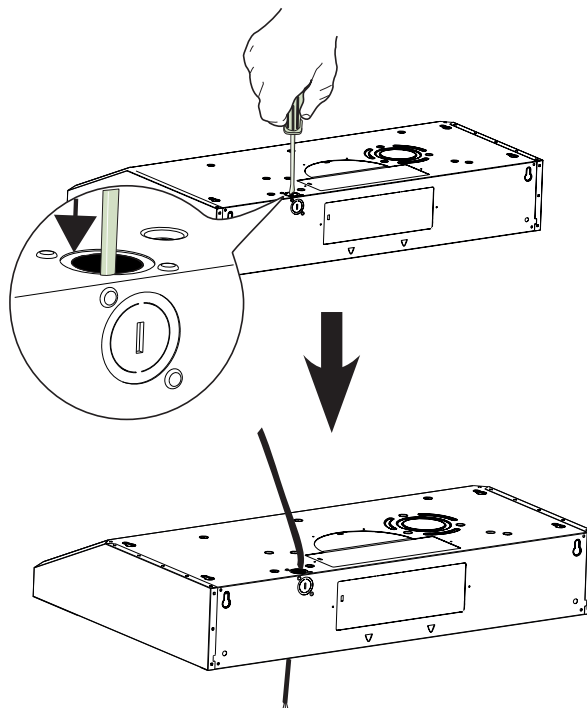
Pendant l'installation, faites passer le câble d'alimentation électrique par ce trou.



3 Trou supérieur (vertical)

Choisissez le trou supérieur pour le raccordement électrique et percez-le à l'aide d'un tournevis ou d'un autre outil.

Pendant l'installation, faites passer le câble d'alimentation électrique par ce trou.



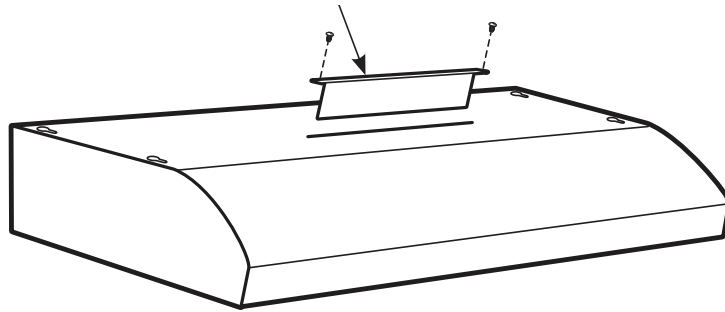
MÉTHODE DE VENTILATION TOUT CONDUIT

1

INVERSEZ LE DÉFLECTEUR POUR LES INSTALLATIONS AVEC CONDUITS UNIQUEMENT

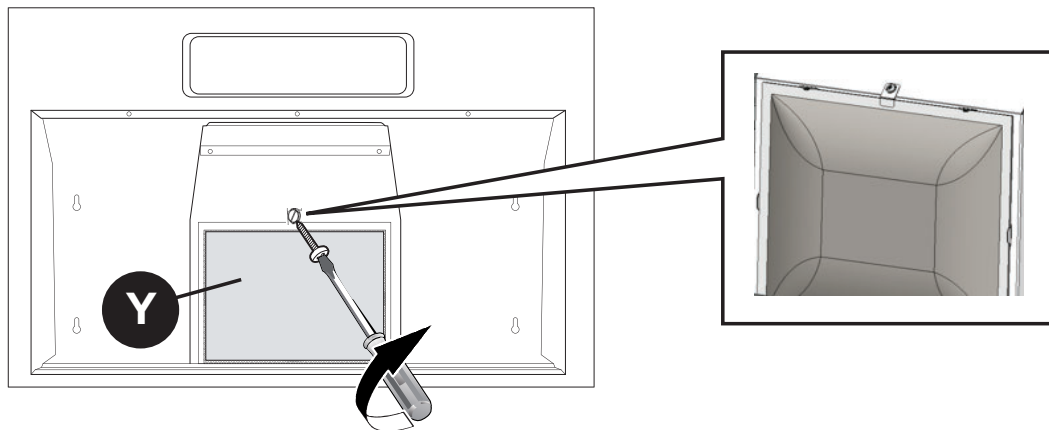
Retirez le déflecteur du haut de la hotte. Réinstallez le déflecteur de sorte que le côté court marqué « VENTILÉ » soit visible. Le côté long du déflecteur doit se trouver à l'intérieur de la hotte.

La mention « VENTILÉ » doit être visible



2

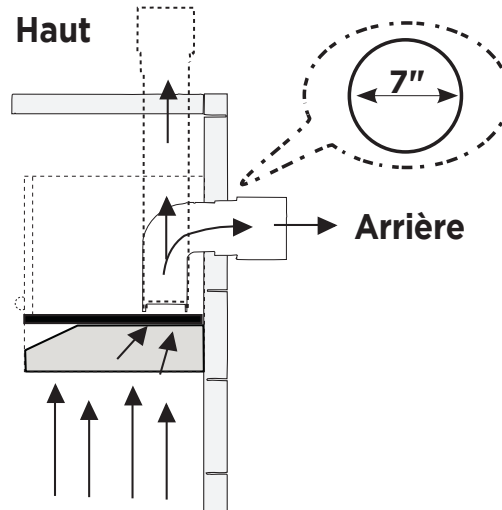
Installez le filtre à graisse **Y** et fixez la vis comme indiqué.



OPTIONS DE LA MÉTHODE D'ÉVACUATION PAR CONDUITS

CONDUIT AVEC SORTIE RONDE DE 7" :

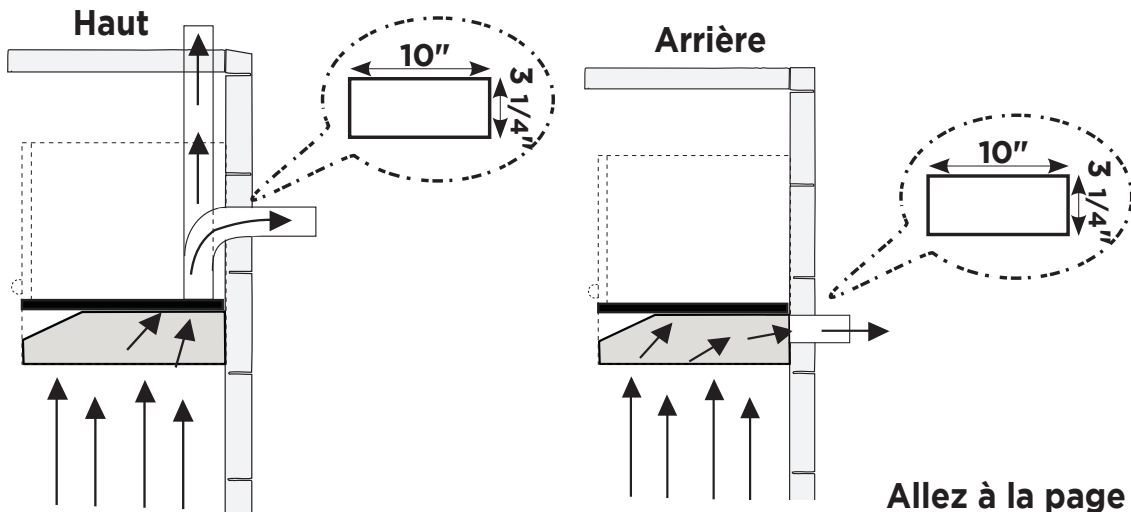
- Vertical
- Horizontal



Allez à la page 46

CONDUIT AVEC SORTIE RECTANGULAIRE DE 3 1/4" X 10" :

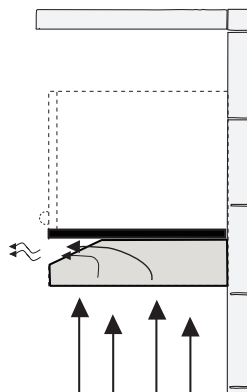
- Vertical
- Horizontal



Allez à la page 48

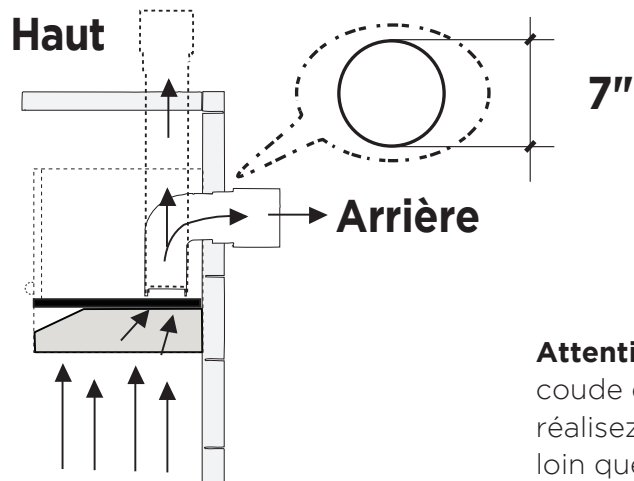
OPTION DE RECIRCULATION SANS CONDUIT

Nécessite l'achat de l'accessoire charbon actif.



Allez à la page 49

CONDUIT - SORTIE RONDE DE 7"



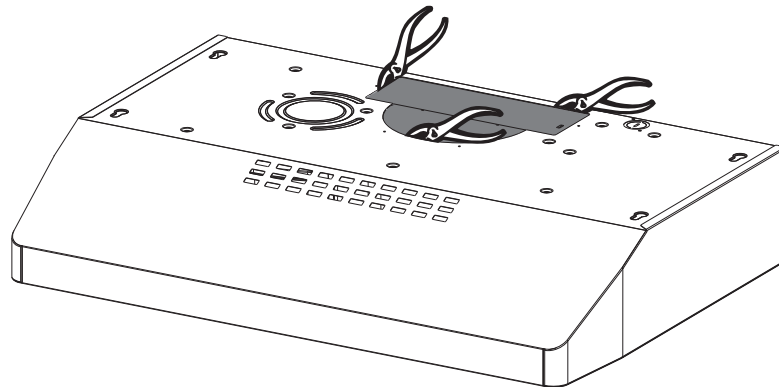
Attention : Si un coude est nécessaire, réalisez-le aussi loin que possible de l'ouverture d'évacuation de la hotte.

Nécessaire ;
veuillez acheter le
clapet rond de 7"
séparément.



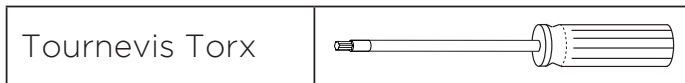
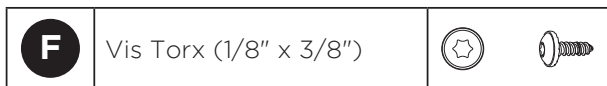
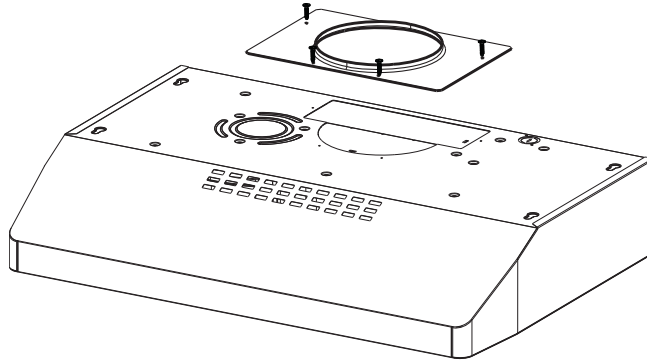
1

Coupez aux endroits indiqués.
Retirez les zones rectangulaires et semi-circulaires avec des cisailles à métaux.

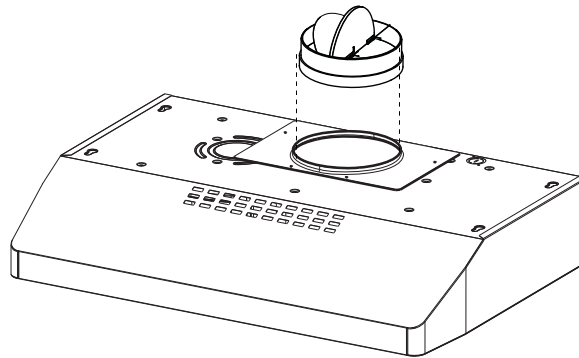


2 Installez la bride avec les vis de transition de la bride **F**.

REMARQUE : La bride doit être montée avec la lèvre tournée vers le haut. Utilisez uniquement les vis fournies pour la bride

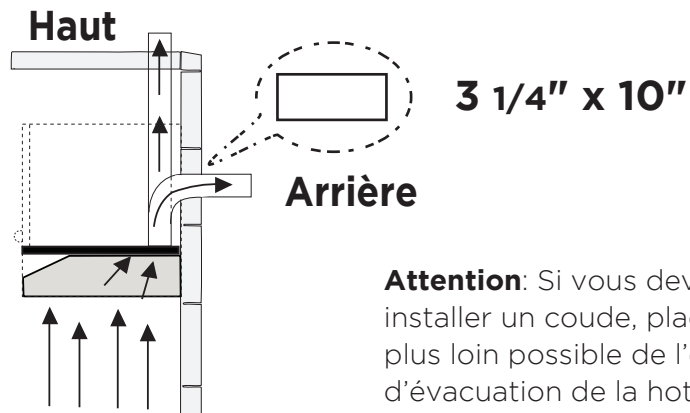


3 Installez le clapet rond de 7" acheté séparément. Fixez le clapet avec du ruban adhésif en toile.



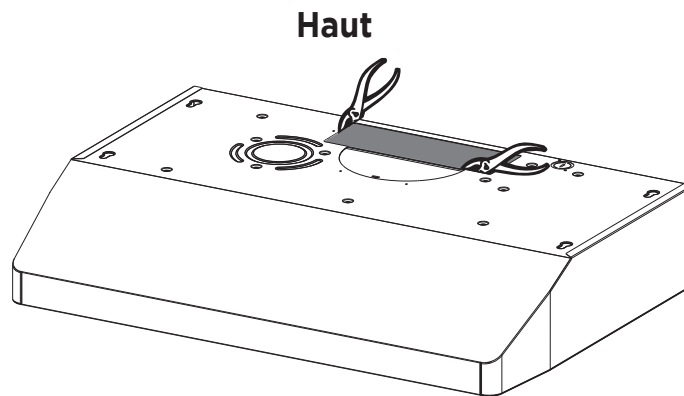
4 Raccordez la gaine métallique ronde de 7" au capuchon de toit ou de paroi acheté séparément, puis fixez la gaine.

CANALISATION - CONDUIT RECTANGULAIRE 3 1/4" X 10" DU DESSUS

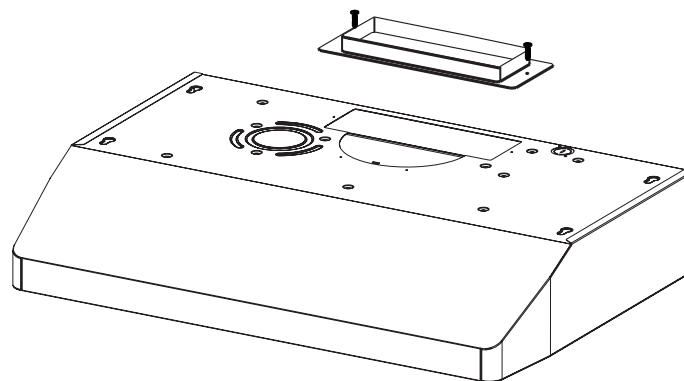


Attention: Si vous devez installer un coude, placez-le le plus loin possible de l'ouverture d'évacuation de la hotte.

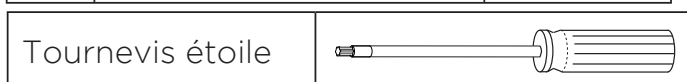
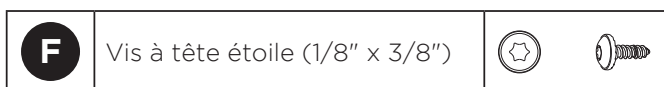
- 1 Choisissez la sortie d'air rectangulaire supérieur ou arrière et coupez à l'endroit indiqué (consultez la page 49 pour sortie à l'arrière).



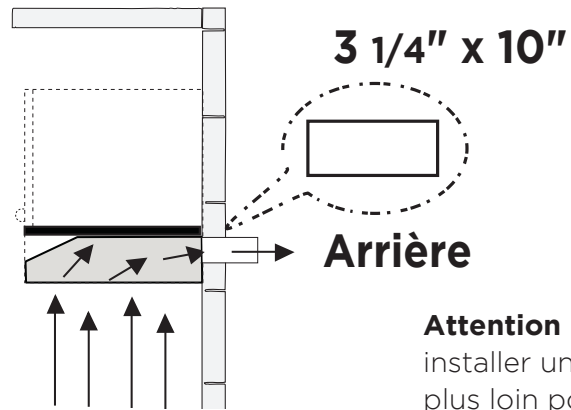
- 2 Installez la sortie d'air rectangulaire fournie à l'aide de deux vis **F**.



- 3 Raccordez le conduit métallique au clapet de toiture ou au clapet mural acheté séparément, puis raccordez les conduits.



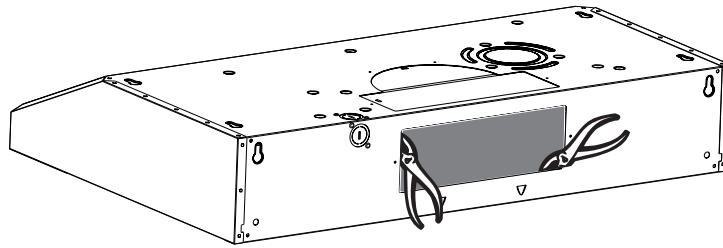
CANALISATION - CONDUIT RECTANGULAIRE 3 1/4" X 10" À L'ARRIÈRE



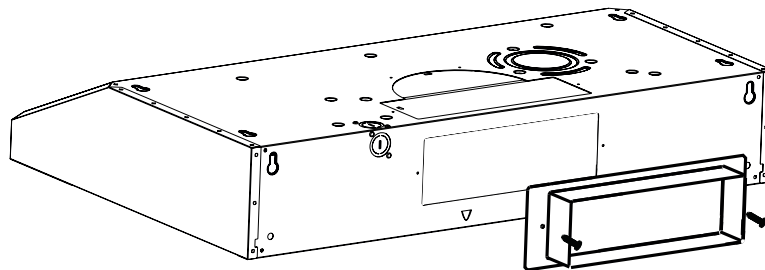
Attention : Si vous devez installer un coude, placez-le le plus loin possible de l'ouverture d'évacuation de la hotte.

- 1 Utilisez la sortie d'air arrière et coupez aux endroits indiqués.

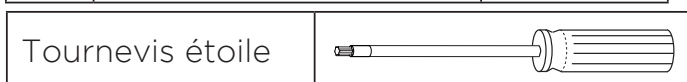
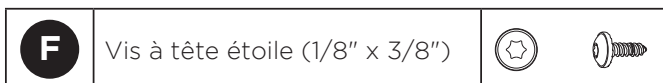
Arrière



- 2 Installez la sortie d'air rectangulaire fournie à l'aide de deux vis **F**.



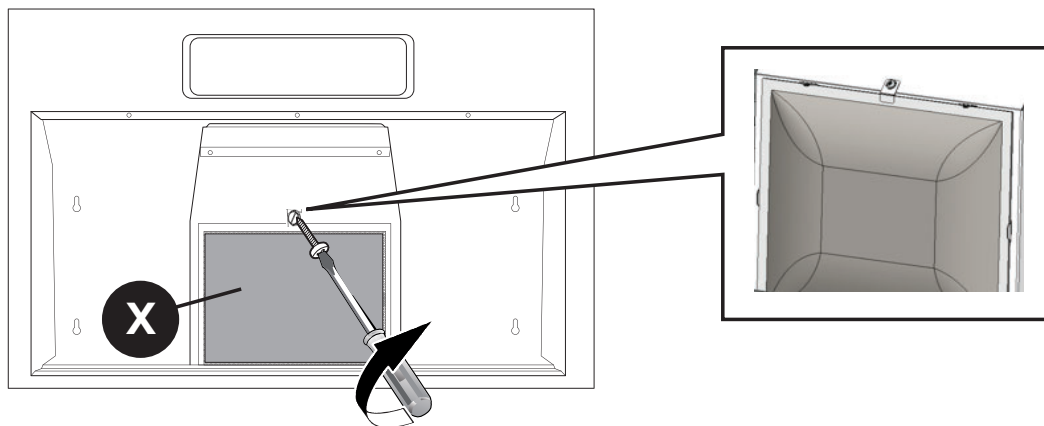
- 3 Raccordez le conduit métallique au clapet de toiture ou au clapet mural acheté séparément, puis raccordez les conduits.



**Passez
à la page 51**

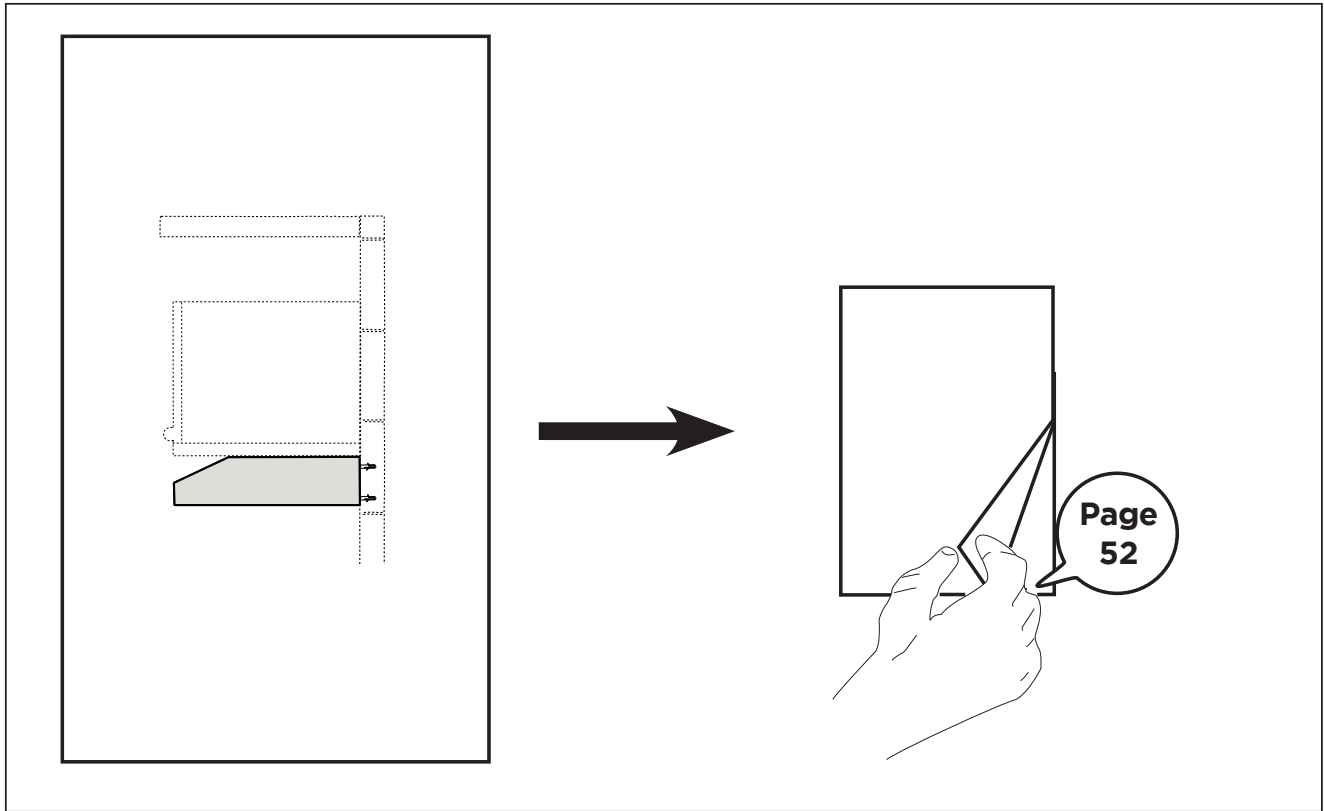
OPTION DE RECIRCULATION SANS CONDUIT

- 1** Installez le filtre à charbon **X** et fixez la vis comme indiqué.

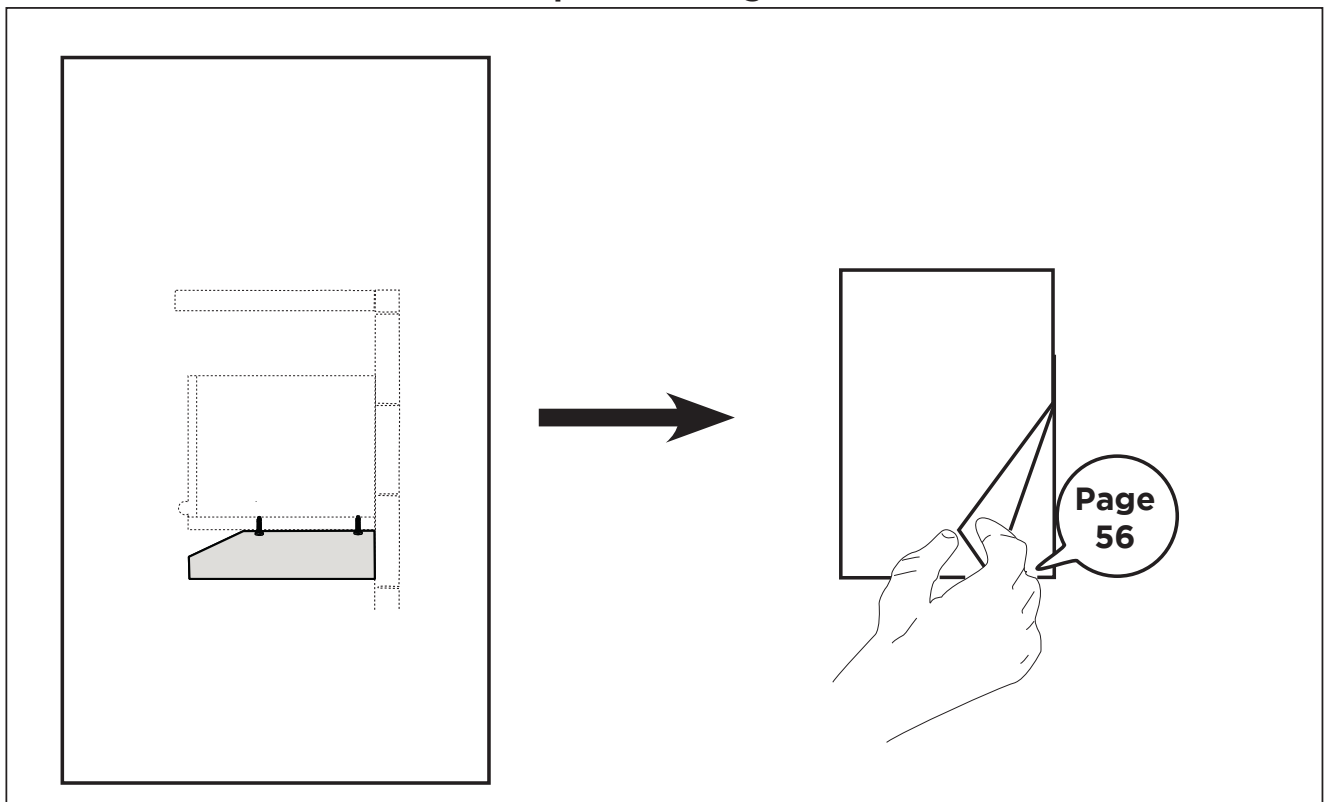


CHOISIR LA MÉTHODE DE MONTAGE

Installation pour montage mural



Installation pour montage à l'armoire

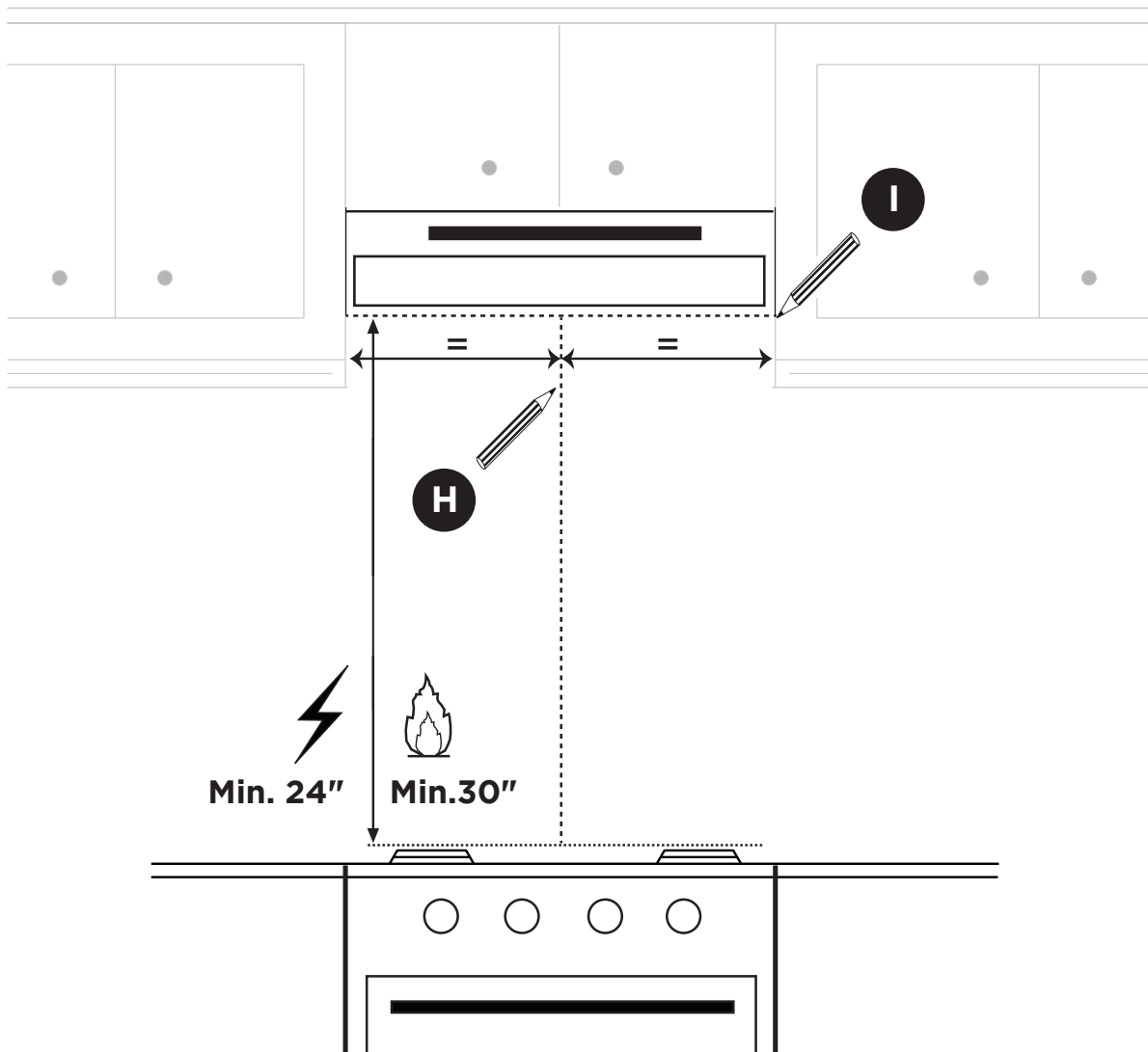


MONTAGE DE LA HOTTE AU MUR

1 TRACER LES LIGNES DE POSITIONNEMENT

Tracez une ligne verticale **H** sur le mur d'appui jusqu'au plafond ou jusqu'au sommet de la zone, au centre de l'emplacement où la hotte sera installée.

Tracez une ligne horizontale **I** à l'endroit correspondant au bas de la hotte; cet emplacement doit se trouver à une distance d'au moins 24" de la surface de cuisson, si elle est électrique, et d'au moins 30", si elle est au gaz.



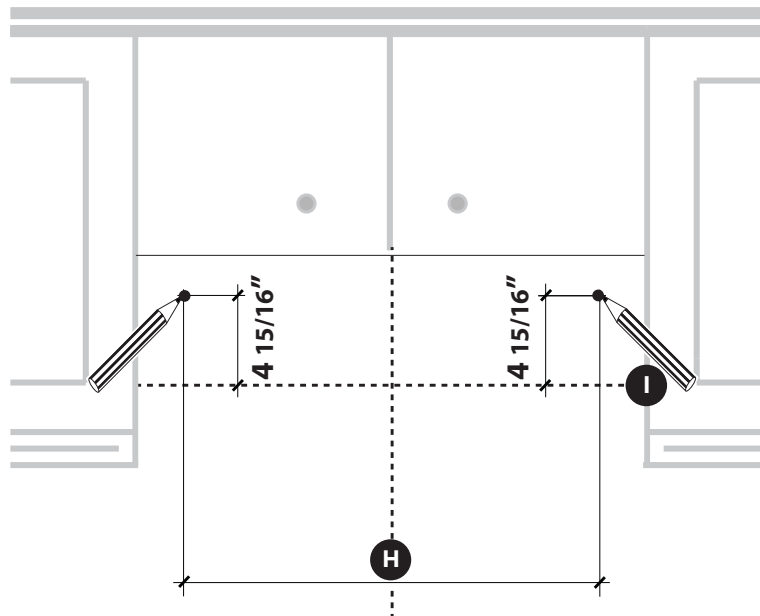
MIN. 24" AU-DESSUS D'UNE / MIN. 30" AU-DESSUS D'UNE
SURFACE ÉLECTRIQUE SURFACE AU GAZ

MONTAGE DE LA HOTTE AU MUR

2

Marquez l'emplacement des ancrages du haut.

Tracez un repère sur le mur à l'endroit indiqué, $4 \frac{15}{16}$ " au-dessus de la ligne horizontale **I** et à la distance **J** à droite et à gauche de la ligne verticale **H**.



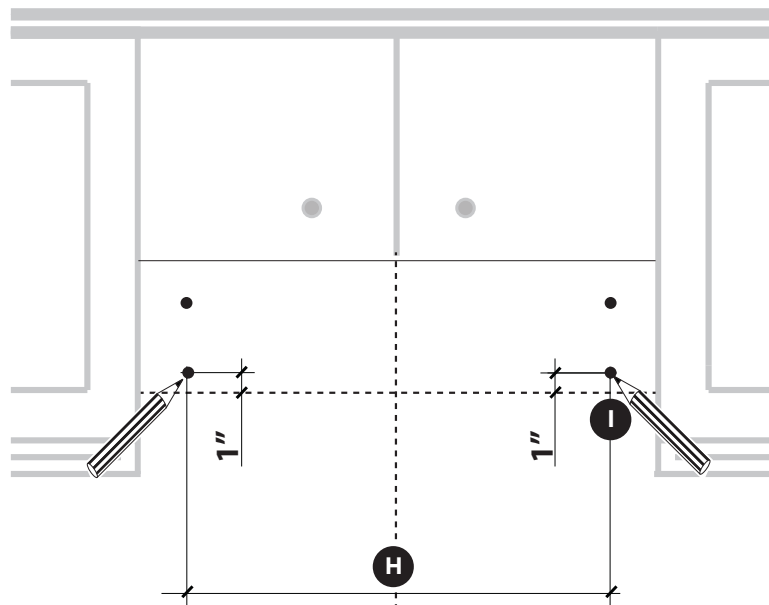
$$24'' = 21 \frac{3}{8}''$$

$$\text{J } 30'' = 27 \frac{3}{8}''$$

3

Marquez l'emplacement des ancrages du bas.

Tracez un repère à 1" sous les marques de l'étape 2. (ancrages du haut). Assurez-vous qu'ils sont à niveau.

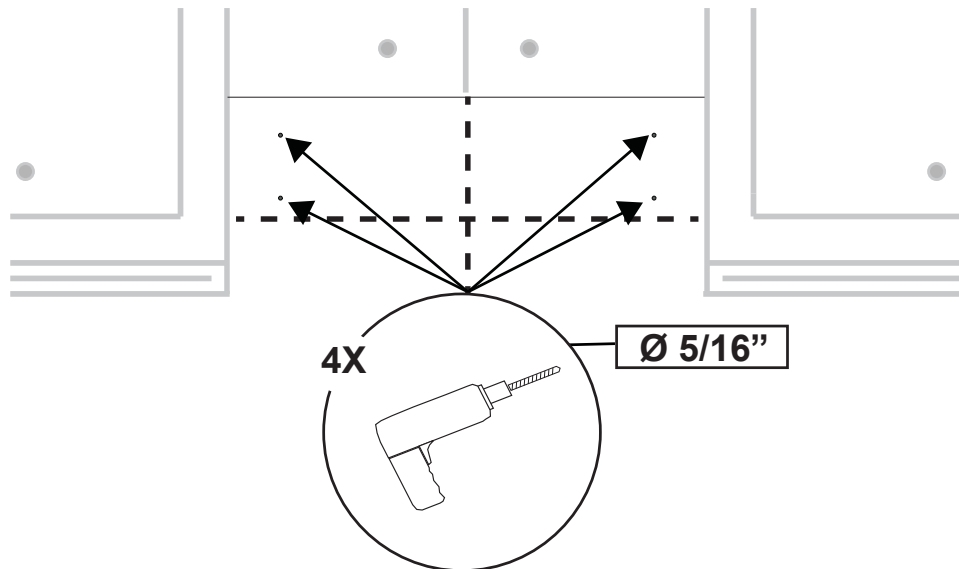


$$24'' = 21 \frac{3}{8}''$$

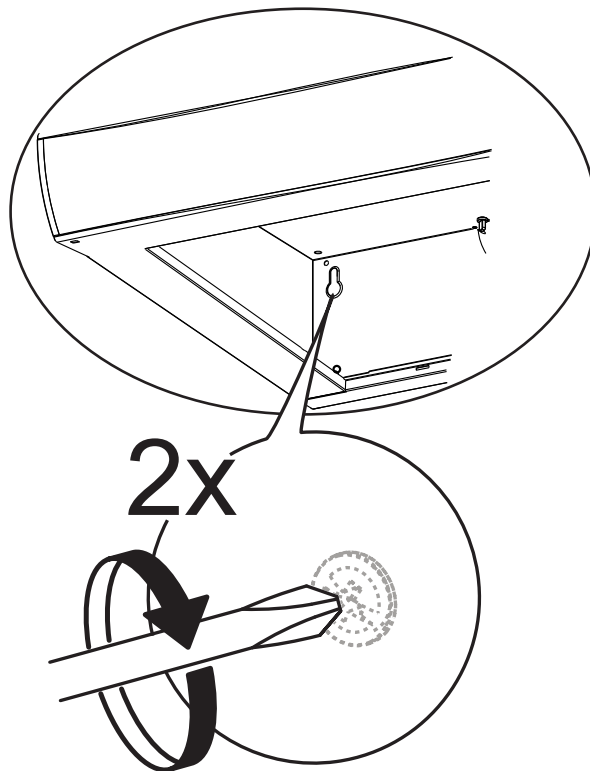
$$\text{J } 30'' = 27 \frac{3}{8}''$$



MONTAGE DE LA HOTTE AU MUR


- 4** Percez un trou 3/16 directement dans le mur, au centre des repères de l'étape 3. Si l'emplacement des fixations n'est pas aligné avec les chevrons, insérez les chevilles achetées dans les trous.



- 5** Dans les trous du haut, utilisez deux des vis fournies **E** pour fixer le bâti de la hotte au mur.



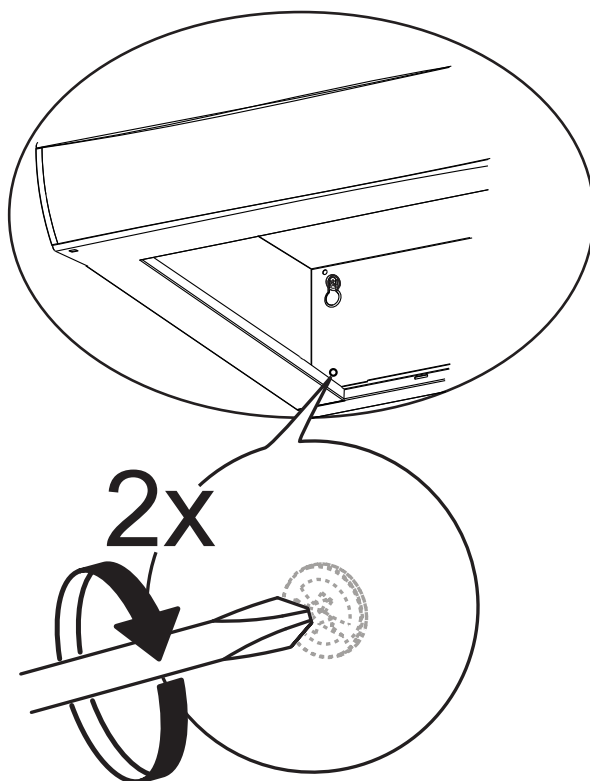
E	Vis à tête Pozidriv (3/16" x 1 15/16")		
----------	--	---	--

Tournevis Pozidriv	
--------------------	---

MONTAGE DE LA HOTTE AU MUR

6

Utilisez les deux vis restantes **E** dans les trous du bas pour ancrer la hotte au mur.

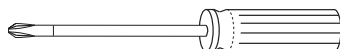


E

Vis à tête Pozidriv (3/16" x 1 15/16")

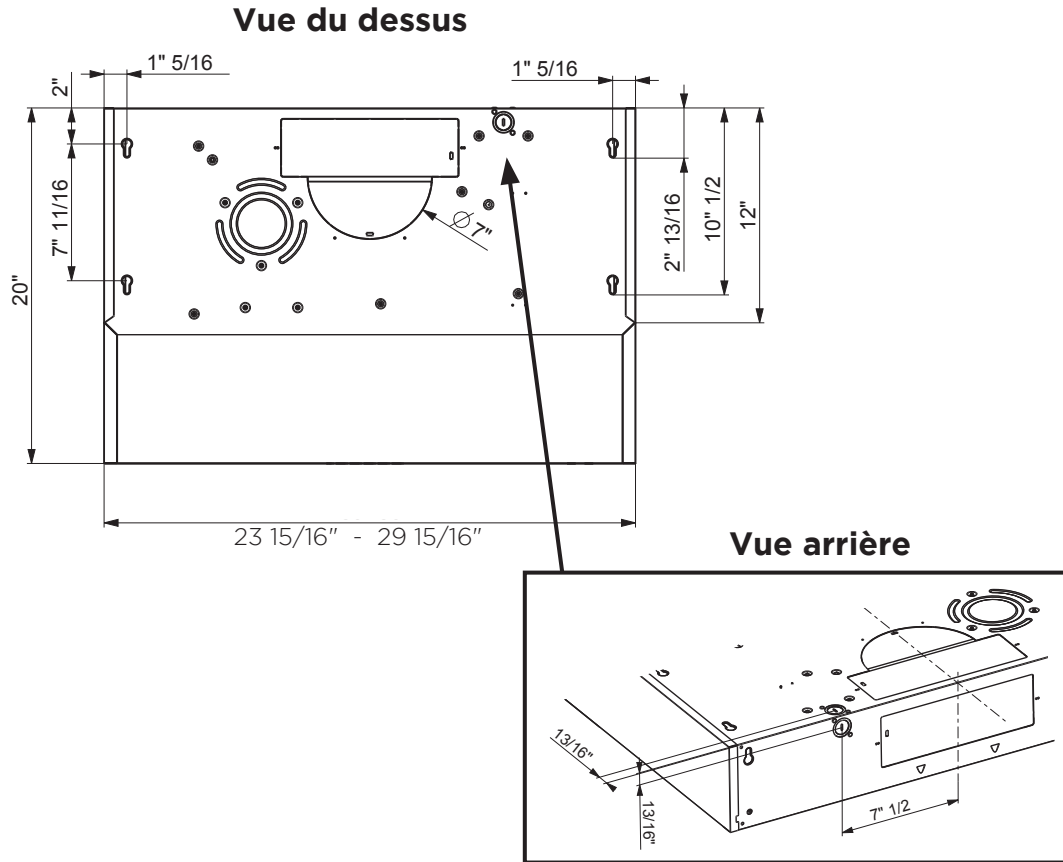


Tournevis Pozidriv

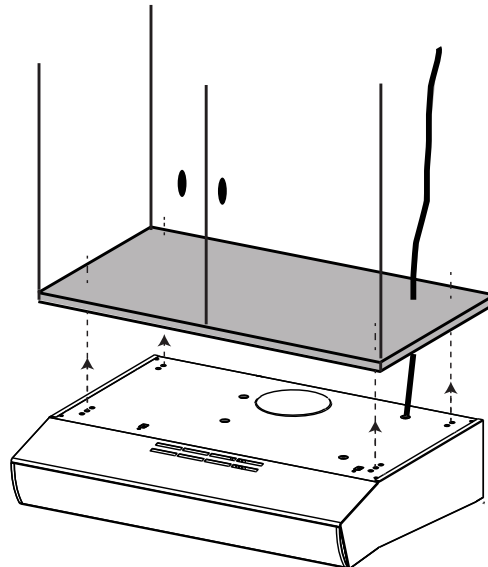


MONTAGE DE LA HOTTE D'ASPIRATION SOUS L'ARMOIRE

- 1 Repérez le trou sur la hotte pour le cordon d'alimentation (voir la section CHOISIR DES CONNEXIONS ÉLECTRIQUES VERTICALES OU HORIZONTALES ") et faites passer le cordon dans le trou approprié.



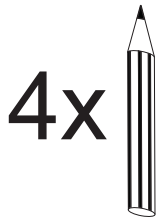
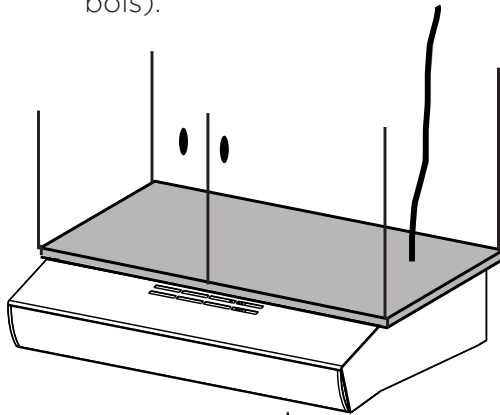
- 2 Soulevez la hotte jusqu'à l'armoire et faites passer le cordon d'alimentation dans les trous appropriés de la hotte et dans l'armoire jusqu'à la source d'alimentation.



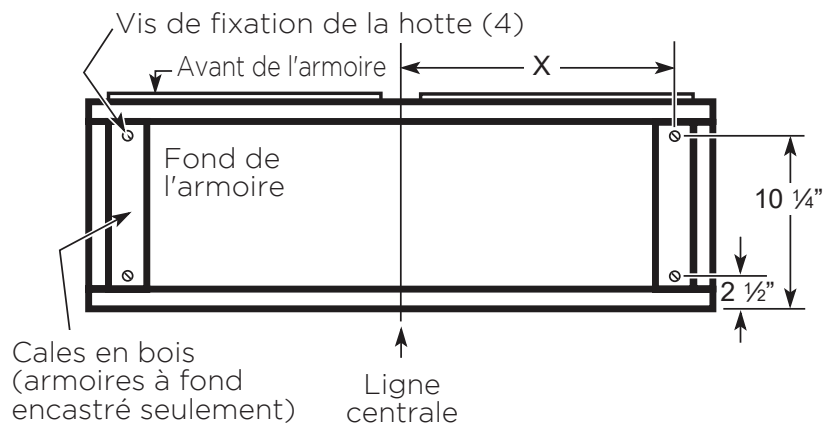
MONTAGE DE LA HOTTE D'ASPIRATION SOUS L'ARMOIRE

3 Marquez les trous pour la fixation de la hotte à l'armoire. Vérifiez la mesure avec le schéma de la page précédente.

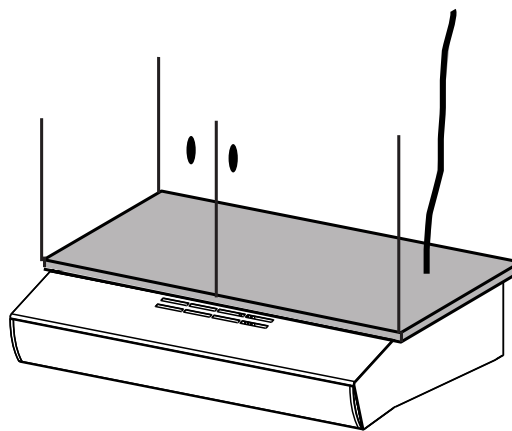
REMARQUE : Enfoncez les 4 **E** vis à moitié dans le fond de l'armoire (ou les cales en bois).






Armoire	X
24"	10 3/4"
30"	13 3/4"



4 Fixez le corps de la hotte à l'aide de 4 vis **E** par le bas disponibles avec la hotte.



E	Vis Pozi (3/16" x 1 15/16")		
Tournevis Pozi			

BRANCHEMENT ÉLECTRIQUE

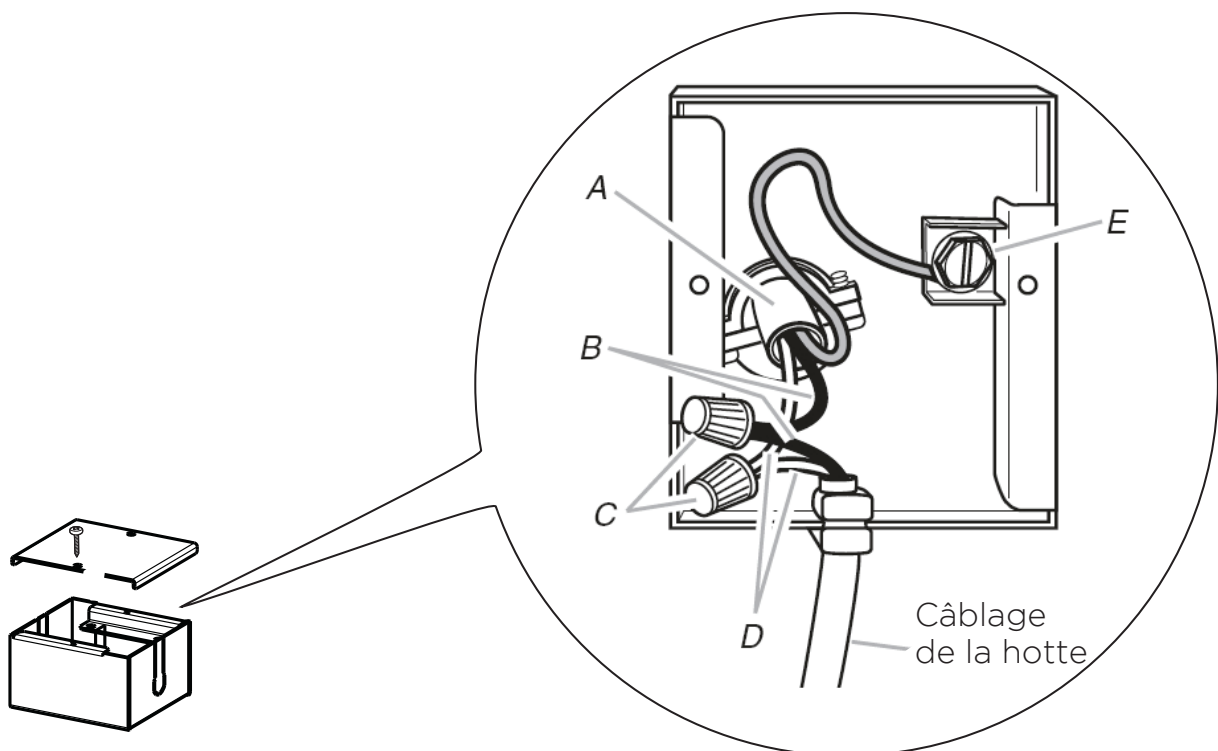
1 Branchement à l'alimentation domestique.

Attention! Ne mettez pas l'alimentation sous tension avant d'avoir terminé l'installation.

- Faites passer le câble d'alimentation dans le trou défoncé.

2 Branchements du boîtier de connexion.

- Branchez le fil blanc de l'alimentation (**A**) au fil blanc de la hotte (**D**) à l'aide d'un connecteur verrouillé par rotation.
- Branchez le fil noir de l'alimentation au fil noir de la hotte (**B**) à l'aide d'un connecteur verrouillé par rotation (**C**).
- Branchez le fil vert (**E**) (vert et jaune) de mise à la terre sous la vis verte de mise à la terre.

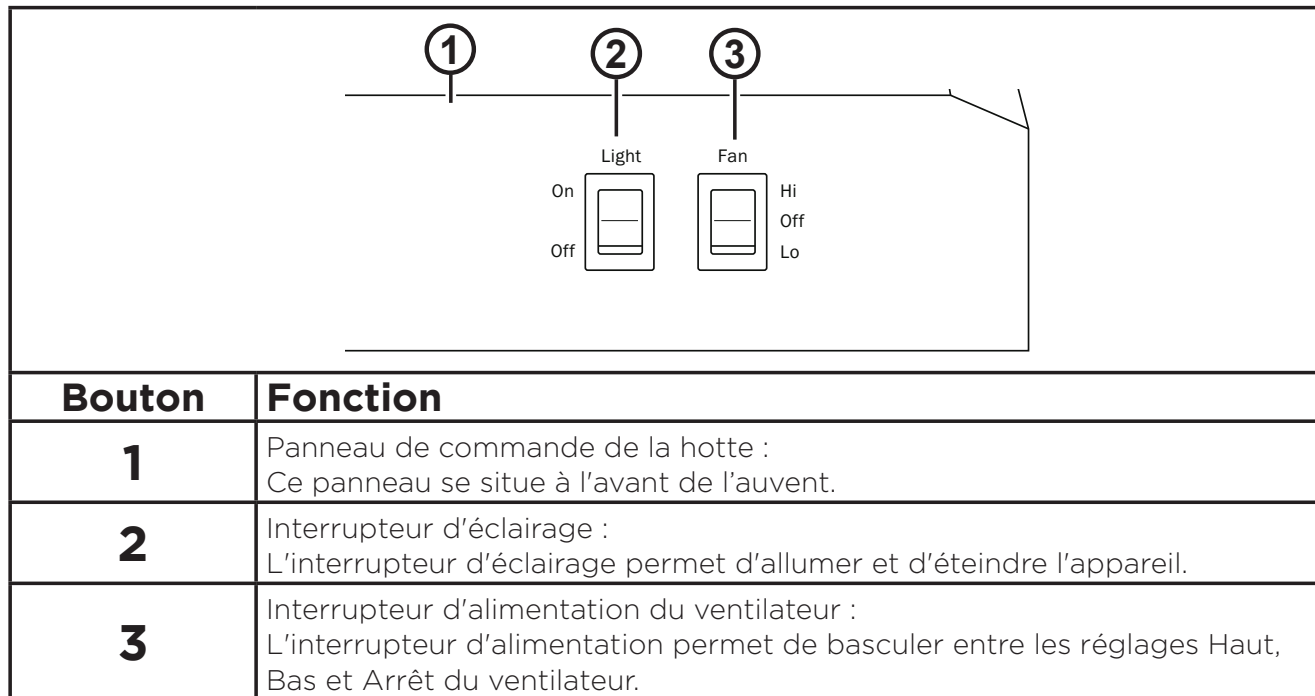


- ## 3
- Remettez le couvercle du compartiment des câblages externes et les filtres à graisse en place.

UTILISATION DES COMMANDES

POUR DE MEILLEURS RÉSULTATS

Mettez la hotte en marche plusieurs minutes avant la cuisson pour assurer une bonne circulation de l'air. Laissez la hotte fonctionner pendant plusieurs minutes après la fin de la cuisson pour évacuer la fumée et les odeurs de la cuisine.



Surfaces peintes (sur certains modèles)

N'utilisez pas de tampons en laine d'acier ou d'autres nettoyeurs abrasifs ; ils rayeraient la surface.

Nettoyez fréquemment les surfaces de la hotte chargées de graisse. Pour nettoyer la surface de la hotte, utilisez un chiffon chaud et humide avec un détergent doux adapté aux surfaces peintes. Vous pouvez ajouter environ une cuillère à soupe d'ammoniaque à l'eau. Utilisez un chiffon propre, chaud et humide pour enlever le savon. Séchez avec un chiffon sec et propre.

REMARQUE : Lors du nettoyage, veillez à ne pas entrer en contact avec les filtres et autres surfaces.

⚠ ATTENTION Lorsque vous nettoyez les surfaces de la hotte, assurez-vous de ne pas toucher la lumière avec des mains ou un chiffon humides. Une lampe tiède ou chaude peut se briser si elle est touchée par une surface humide. Laissez toujours la lampe refroidir complètement avant de la nettoyer.

ENTRETIEN DES FILTRES

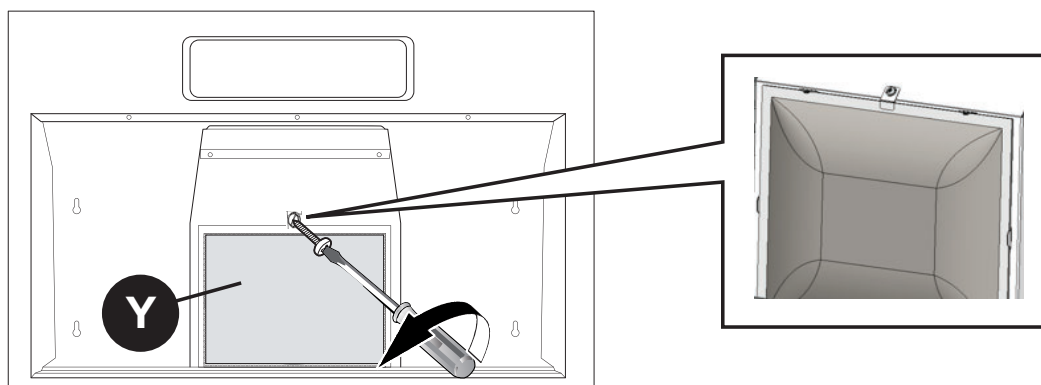
NETTOYAGE DES FILTRES À GRAISSE MÉTALLIQUES

Les filtres à graisse métalliques peuvent être nettoyés dans une solution détergente chaude ou lavés au lave-vaisselle.

Ils doivent être nettoyés tous les 2 mois d'utilisation, ou plus fréquemment si l'utilisation est particulièrement intensive.

1

Retirez la vis comme indiqué et sortez le filtre à graisse **Y**.



2

Lavez le filtre sans le plier. Laissez-le sécher complètement avant de le remettre en place. Si la surface du filtre change de couleur avec le temps, l'efficacité n'en sera pas affectée.

3

Insérez les languettes situées au bas du filtre dans les fentes situées à l'arrière de l'ouverture du filtre. Soulevez la face avant du filtre et poussez doucement jusqu'à ce que le filtre se verrouille en place. Fixez le filtre et verrouillez-le avec la vis précédemment retirée.

NOTES :

- Le nettoyage dans un lave-vaisselle peut ternir la finition des filtres à graisse en métal.
- Assurez-vous que les filtres sont complètement secs avant de les réinstaller dans la hotte.

NETTOYAGE DES SURFACES EXTÉRIEURES

Veillez noter que les abrasifs et les agents de récurage peuvent rayer les finitions de la hotte et ne doivent pas être utilisés pour nettoyer les surfaces de finition.

Instructions de nettoyage de la finition en acier inoxydable :

Nettoyez les surfaces extérieures avec un nettoyant pour acier inoxydable disponible dans le commerce.

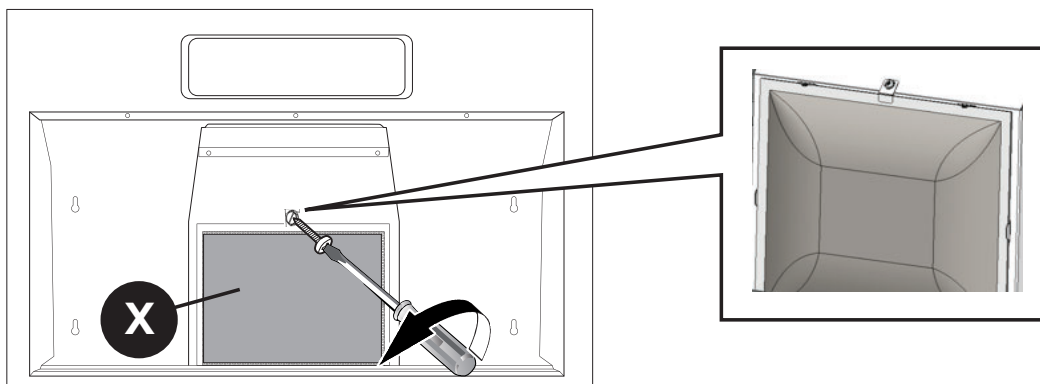
REPLACEMENT DU FILTRE À CHARBON ACTIF

Les filtres à charbon actif ne sont pas lavables et ne peuvent pas être régénérés, et doivent être remplacés environ tous les 4 mois de fonctionnement, ou plus fréquemment en cas d'utilisation intensive.

Contactez Faber pour plus d'informations sur le charbon de remplacement. ÉVITEZ DE rincer ou mettre les filtres à charbon dans un lave-vaisselle automatique.

1

Retirez la vis comme indiqué et sortez le filtre à charbon **X**.



2

Tirez vers le bas sur le centre du bord avant du filtre. Le filtre glissera alors des languettes de retenue à l'arrière. Pour le remplacer, glissez le bord arrière du filtre dans les languettes de retenue et poussez le bord avant vers le haut jusqu'à ce qu'il s'enclenche.

Fixez le filtre et verrouillez-le avec la vis précédemment retirée.



Filtre à charbon de bois remplaçable

REEMPLACEMENT DE L'ÉCLAIRAGE

Remplacement suggéré par une ampoule à incandescence de type A15, E26, 40 watts

1

Avant d'essayer de remplacer les lampes, assurez-vous que l'interrupteur d'éclairage est éteint.

2

Retirez le couvercle de l'éclairage en appuyant sur les côtés avec deux doigts jusqu'à ce que les languettes latérales soient libérées. Soulevez le couvercle de l'éclairage et faites-le glisser vers vous en un seul mouvement.

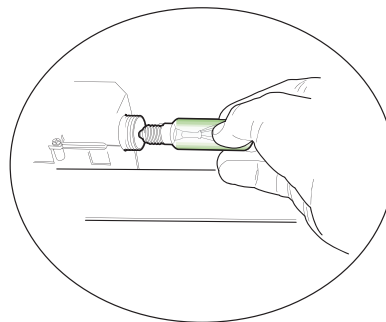
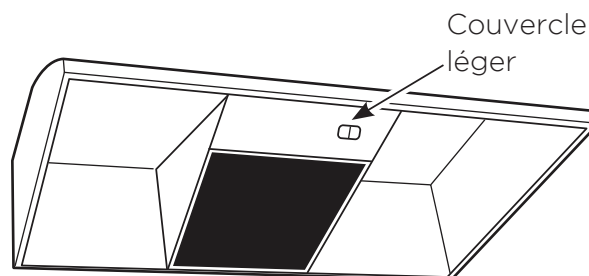
3

Dévissez la lampe dans le sens antihoraire pour la déverrouiller et retirez-la. Remplacez-la par une nouvelle ampoule du même type (incandescente standard), en vous assurant que la douille est correctement insérée dans le logement du porte-lampe.

Attention : Les ampoules peuvent être chaudes, veuillez attendre quelques minutes avant de les remplacer.

4

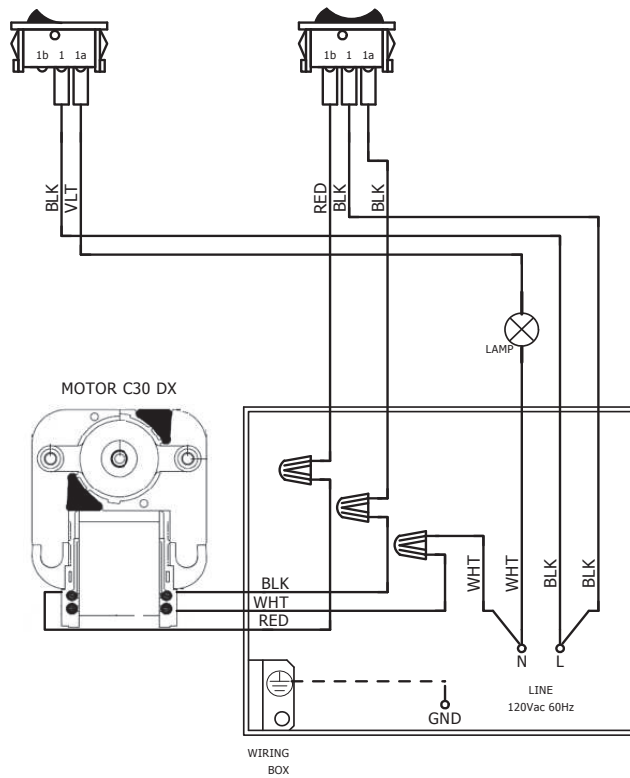
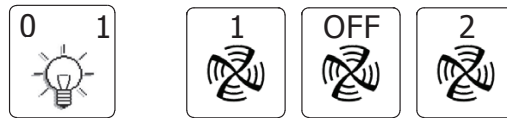
Pour remplacer le couvercle de la lampe, insérez la broche située à l'extrémité du couvercle dans l'ouverture supérieure. Poussez délicatement le couvercle vers le haut et appuyez sur les côtés pour insérer les broches latérales dans les ouvertures latérales. Relâchez et le couvercle se verrouille en position.



**ATTENTION
- RISQUE
D'INCENDIE,
LAMPE A19 DE
60 W MAX.**

SCHÉMA DE CÂBLAGE

HOOD INTERNAL CONTROL





FABER CONSUMER WARRANTY & SERVICE

All Faber products are warranted against any defect in materials or workmanship for the original purchaser for a period of 1 year from the date of original purchase (requires proof of purchase). This warranty covers labor and replacement parts. Faber, at its option, may repair or replace the product or components necessary to restore the product to good working condition. To obtain warranty service, contact the dealer from whom you purchased the range hood, or the local Faber distributor. If you cannot identify a local Faber distributor, contact us at (508) 358-5353 for the name of a distributor in your area.

The following is not covered by Faber's warranty:

1. Service calls to correct the installation of your range hood, to instruct you how to use your range hood, to replace or repair house fuses or to correct house wiring or plumbing.
2. Service calls to repair or replace range hood light bulbs, fuses or filters. Those consumable parts are excluded from warranty coverage.
3. Repairs when your range hood is used for other than normal, single-family household use.
4. Damage resulting from accident, alteration, misuse, abuse, fire, flood, acts of God, improper installation, installation not in accordance with electrical or plumbing codes or Faber documentation, or use of products not approved by Faber.
5. Replacement parts or repair labor costs for units operated outside the United States or Canada, including any non-UL or C-UL approved Faber range hoods.
6. Repairs to the hood resulting from unauthorized modifications made to the range hood.
7. Expenses for travel and transportation for product service in remote locations and pickup and delivery charges. Faber range hoods should be serviced in the home.

THIS WARRANTY DOES NOT ALLOW RECOVERY OF INCIDENTAL OR CONSEQUENTIAL DAMAGES, INCLUDING, WITHOUT LIMITATION, DIRECT, INDIRECT, INCIDENTAL, SPECIAL OR CONSEQUENTIAL DAMAGES, PERSONAL INJURY/WRONGFUL DEATH OR LOST PROFITS FABER WARRANTY IS LIMITED TO THE ABOVE CONDITIONS AND TO THE WARRANTY PERIOD SPECIFIED HEREIN AND IS EXCLUSIVE. EXCEPT AS EXPRESSLY SPECIFIED IN THIS AGREEMENT, FABER DISCLAIMS ALL EXPRESS OR IMPLIED CONDITIONS, REPRESENTATIONS, AND WARRANTIES INCLUDING, WITHOUT LIMITATION, ANY IMPLIED WARRANTIES OF MERCHANTABILITY OR FITNESS FOR A PARTICULAR PURPOSE.

This warranty gives you specific legal rights that may vary from state to state.

Model#: _____

Serial #: _____

CONTENIDO

Sección	Página
Instrucciones de seguridad importantes	66
Dimensiones de la campana extractora	70
Requisitos de altura de instalación	71
Piezas	72
Herramientas necesarias	73
Elija paneles de conexión eléctrica verticales u horizontales	74
Opciones de método de ventilación canalizada	77
Canalizada - salida redonda de 7"	78
Canalizada - salida rectangular de 3 1/4" x 10" en la parte superior	80
Canalizada - salida rectangular de 3 1/4" x 10" en la parte trasera	81
Elección del método de montaje	83
Montaje de la campana extractora en la pared	84
Montaje de la campana extractora debajo del gabinete	88
Conexión de la electricidad	90
Operación de los controles	91
Cuidado de los filtros	92
Sustitución de la iluminación	94
Diagrama de cableado	95
Garantía	96

INSTRUCCIONES DE SEGURIDAD IMPORTANTES

LEA Y GUARDE ESTAS INSTRUCCIONES ANTES DE COMENZAR A INSTALAR ESTA CAMPANA EXTRACTORA

ADVERTENCIA: - PARA REDUCIR EL RIESGO DE INCENDIO DE LA CAMPANA POR GRASA:

- a) Nunca deje las unidades de superficie desatendidas en ajustes altos. Los derrames por ebullición pueden causar humos y derrames de grasa que pueden incendiarse. Caliente los aceites lentamente en ajustes bajos o medios.
- b) Siempre encienda la campana cuando cocine a fuego alto o cuando flamee alimentos (por ej. Crepes Suzette, Cherries Jubilee, Peppercorn Beef Flambé).
- c) Limpie los ventiladores con frecuencia. No se debe permitir que la grasa se acumule en el ventilador o en el filtro.
- d) Use una olla de tamaño adecuado. Utilice siempre utensilios de cocina apropiados para el tamaño del elemento de superficie.

ADVERTENCIA: - PARA REDUCIR EL RIESGO DE LESIONES A PERSONAS EN CASO DE INCENDIO DE GRASA EN LA CAMPANA, TENGA EN CUENTA LO SIGUIENTE*:

- a) **APAGUE LAS LLAMAS** con una tapa ajustada, bandeja para hornear galletas o bandeja de metal, luego apague el quemador. **TENGA CUIDADO PARA EVITAR QUEMADURAS.** Si las llamas no se apagan inmediatamente, **EVACÚE Y LLAME AL DEPARTAMENTO DE BOMBEROS.**
- b) **NUNCA RECOJA UNA OLLA EN LLAMAS** - Puede quemarse.
- c) **NO USE AGUA**, incluidos paños de cocina húmedos o toallas; se producirá una violenta explosión de vapor.
- d) Use un extintor **SOLAMENTE** si:
 1. Usted sabe que tiene un extintor Clase ABC y ya sabe cómo operarlo.
 2. El incendio es pequeño y está contenido en el área donde comenzó.
 3. Se llama al departamento de bomberos.
 4. Puede luchar contra el incendio con su espalda hacia una salida.

* Basado en "Consejos de seguridad contra incendios en la cocina" publicado por NFPA

ADVERTENCIA - PARA REDUCIR EL RIESGO DE DESCARGA ELÉCTRICA O INCENDIO, no use este ventilador con ningún dispositivo de control de velocidad de estado.

ADVERTENCIA - PARA REDUCIR EL RIESGO DE INCENDIOS, DESCARGAS ELÉCTRICAS O LESIONES PERSONALES, OBSERVE LO SIGUIENTE:

1. Use esta unidad solo de la manera prevista por el fabricante. Si tiene alguna pregunta, comuníquese con el fabricante.
2. Antes de reparar o limpiar la unidad, apague el equipo en el panel de servicio y bloquee los medios de desconexión del servicio para evitar que la energía se encienda accidentalmente. Cuando los medios de desconexión del servicio no se puedan bloquear, fije de forma segura un dispositivo de advertencia prominente, como una etiqueta, al panel de servicio.

PRECAUCIÓN: Para uso general de ventilación solamente. No lo use para descargar materiales y vapores peligrosos o explosivos.

ADVERTENCIA - PARA REDUCIR EL RIESGO DE INCENDIOS, DESCARGAS ELÉCTRICAS O LESIONES PERSONALES, OBSERVE LO SIGUIENTE:

1. El trabajo de instalación y el cableado eléctrico deben realizarlo las personas calificadas de acuerdo con todos los códigos y estándares aplicables, incluida la construcción con clasificación de incendio.
2. Se necesita suficiente aire para la combustión adecuada y el escape de gases a

través del tubo de humos (chimenea) del equipo que quema combustible para evitar la retrogresión. Siga las directrices del fabricante del equipo de calefacción y las normas de seguridad tales como los publicados por la National Fire Protection Association (NFPA), la American Society for Heating, Refrigeration and Air Conditioning Engineers (ASHRAE) y las autoridades de los códigos locales.

- 3. Al cortar o perforar la pared o el techo, no dañe el cableado eléctrico ni otros servicios ocultos.**
- 4. Los ventiladores con conductos siempre deben tener salida al exterior.**

TODAS LAS APERTURAS DE PARED Y PISO DONDE SE INSTALE LA CAMPANA EXTRACTORA DEBEN SER SELLADAS.

Esta campana extractora requiere al menos 24" de espacio libre entre la parte inferior de la campana extractora y la superficie de cocción o encimera. Esta campana ha sido aprobada por UL a esta distancia de la placa.

Esta separación mínima puede ser mayor dependiendo de los códigos de construcción locales. Para placas de gas y cocinas combinadas, se recomienda y puede ser necesario un mínimo de 30 ".

Los gabinetes superiores en ambos lados de esta unidad deben estar a un mínimo de 18" sobre la superficie de cocción o la encimera. Consulte las instrucciones de instalación de la placa o la campana proporcionadas por el fabricante antes de hacer cualquier corte.

INSTALACIÓN EN VIVIENDAS MÓVILES La instalación de esta campana extractora debe cumplir con los Estándares de construcción y seguridad de casas prefabricadas, Título 24 CFR, Parte 3280 (anteriormente Estándar federal para la construcción y seguridad en viviendas móviles, Título 24, HUD, Parte 280). Vea los requisitos eléctricos"

REQUISITOS DE VENTILACIÓN

Determine qué método de ventilación es mejor para su aplicación. Los conductos pueden extenderse a través de la pared o el techo.

La longitud de los conductos y la cantidad de codos se deben mantener al mínimo para proporcionar un rendimiento eficiente. El tamaño de los conductos debe ser uniforme. No instales dos codos juntos. Use cinta adhesiva para sellar todas las juntas en el sistema de conductos. Utilice calafateo para sellar la pared exterior o la abertura del piso alrededor de la tapa.

NO se recomiendan conductos flexibles. Los conductos flexibles crean una contrapresión y turbulencias de aire que reducen en gran medida el rendimiento.

Asegúrese de que haya espacio libre adecuado dentro de la pared o el piso para el conducto de escape antes de hacer los cortes. No corte una vigueta o poste a menos que sea absolutamente necesario. Si se debe cortar una vigueta o poste, entonces se debe construir un marco de soporte.

ADVERTENCIA - Para reducir el riesgo de incendio, use solamente conductos de metal. PRECAUCIÓN - Para reducir el riesgo de incendio y para descargar adecuadamente el aire, asegúrese de sacar el aire - No expulse los humos en espacios dentro de paredes o techos, áticos, espacios angostos o garajes.

Instalaciones para clima frío

Se debe instalar un registro de tiro adicional para minimizar el flujo de aire frío hacia atrás y se debe instalar un disyuntor térmico no metálico para minimizar la conducción de las temperaturas exteriores como parte del sistema de ventilación. El registro debe estar en el lado del aire frío del interruptor térmico. El interruptor debe estar lo más cerca posible de donde el sistema de ventilación ingrese a la parte calentada de la casa.



ADVERTENCIA

- El sistema de ventilación DEBE terminar fuera del hogar.
- **NO** termine el conducto en un espacio ático o en otro espacio cerrado.
- **NO** use tacos de pared de 4" tipo lavadero.
- NO se recomiendan los conductos de tipo flexible.
- **NO** obstruya el flujo del aire de combustión y ventilación.
- El incumplimiento de los requisitos de ventilación puede provocar un incendio.

REQUISITOS ELÉCTRICOS

Se requiere un suministro eléctrico de 120 voltios, 60 Hz solo CA en un circuito separado con fusible de 15 amperios. Se recomienda un fusible de retardo o un cortacircuitos. El fusible se debe dimensionar según los códigos locales de acuerdo con la clasificación eléctrica de esta unidad, tal como se especifica en la placa de número de serie/clasificación ubicada dentro de la unidad, cerca del compartimento de cableado de campo.

INSTALACIÓN ELÉCTRICA CON CAJA DE CABLEADO

ESTA UNIDAD DEBE CONECTARSE CON CABLE DE COBRE SOLAMENTE. Los tamaños de los cables deben cumplir con los requisitos del Código Eléctrico Nacional, ANSI / NFPA 70, última edición, y todos los códigos y ordenanzas locales. El tamaño del cable y las conexiones deben cumplir con la clasificación del equipo. Se pueden obtener copias de la norma enumerada anteriormente en:

National Fire Protection Association
Batterymarch Park
Quincy, Massachusetts 02269

Este electrodoméstico debe conectarse directamente a la desconexión por fusible (o disyuntor) a través de un cable flexible, blindado o no metálico de cobre enfundado. Deje algo de tensión en el cable para poder mover el dispositivo si alguna vez lo necesita. Debe haber un conector de conducto de 1/2 homologado por UL en cada extremo del cable de suministro de energía (en el equipo y en la caja de conexiones).

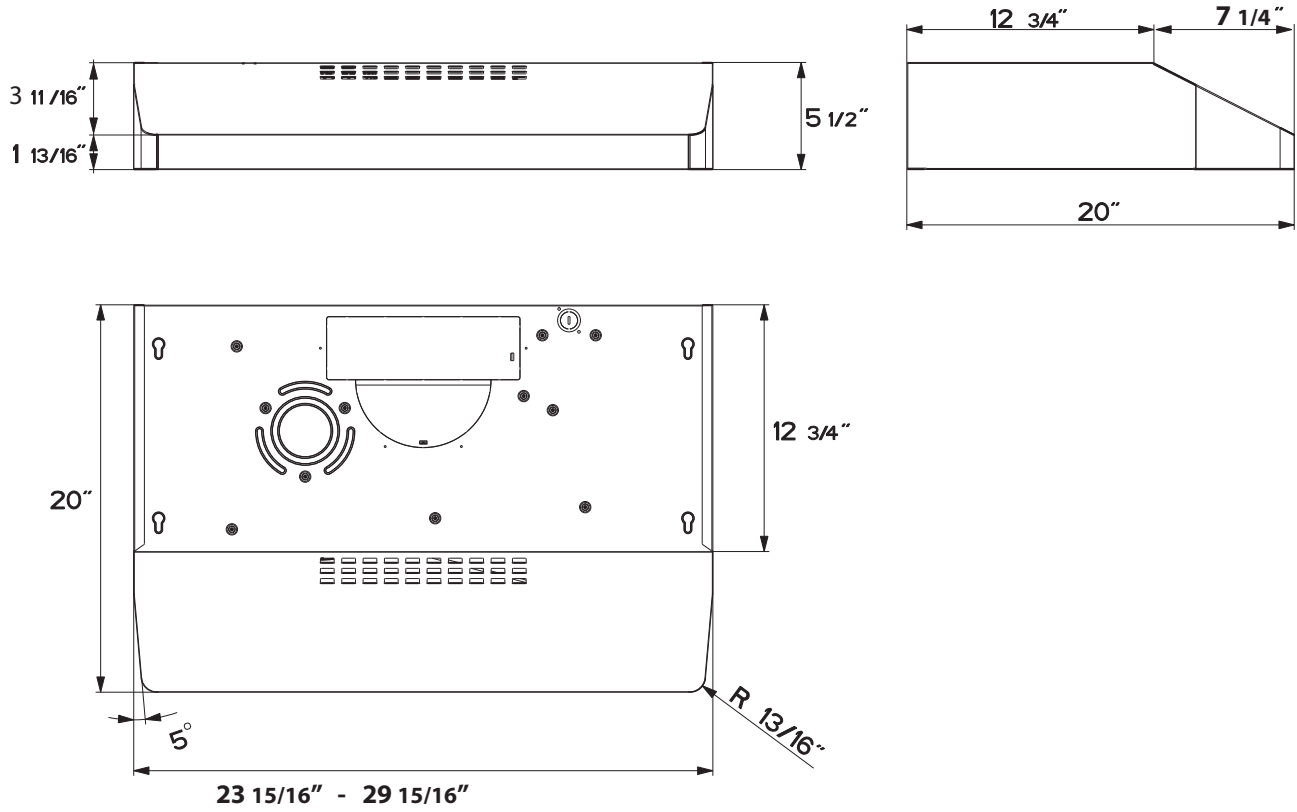
Al hacer la conexión eléctrica, corte un agujero de 1 1/4" en la pared. Un agujero cortado a través de la madera debe lijarse hasta que quede liso. Un agujero a través del metal debe tener un ojal.



ADVERTENCIA

- Esta campana extractora requiere conexión eléctrica de tierra.
- Si la tubería de agua fría está interrumpida por juntas de plástico, de materiales no metálicos u otros materiales, NO la utilice para conexión a tierra.
- NO conecte a tierra a una tubería de gas.
- NO tenga un fusible en el circuito neutro o de tierra. Un fusible en el circuito neutro o de tierra podría provocar una descarga eléctrica.
- Consulte con un electricista calificado si tiene dudas acerca de si la campana extractora está correctamente conectada a tierra.
- El incumplimiento de los requisitos eléctricos puede provocar un incendio.

DIMENSIONES DE LA CAMPANA EXTRACTORA

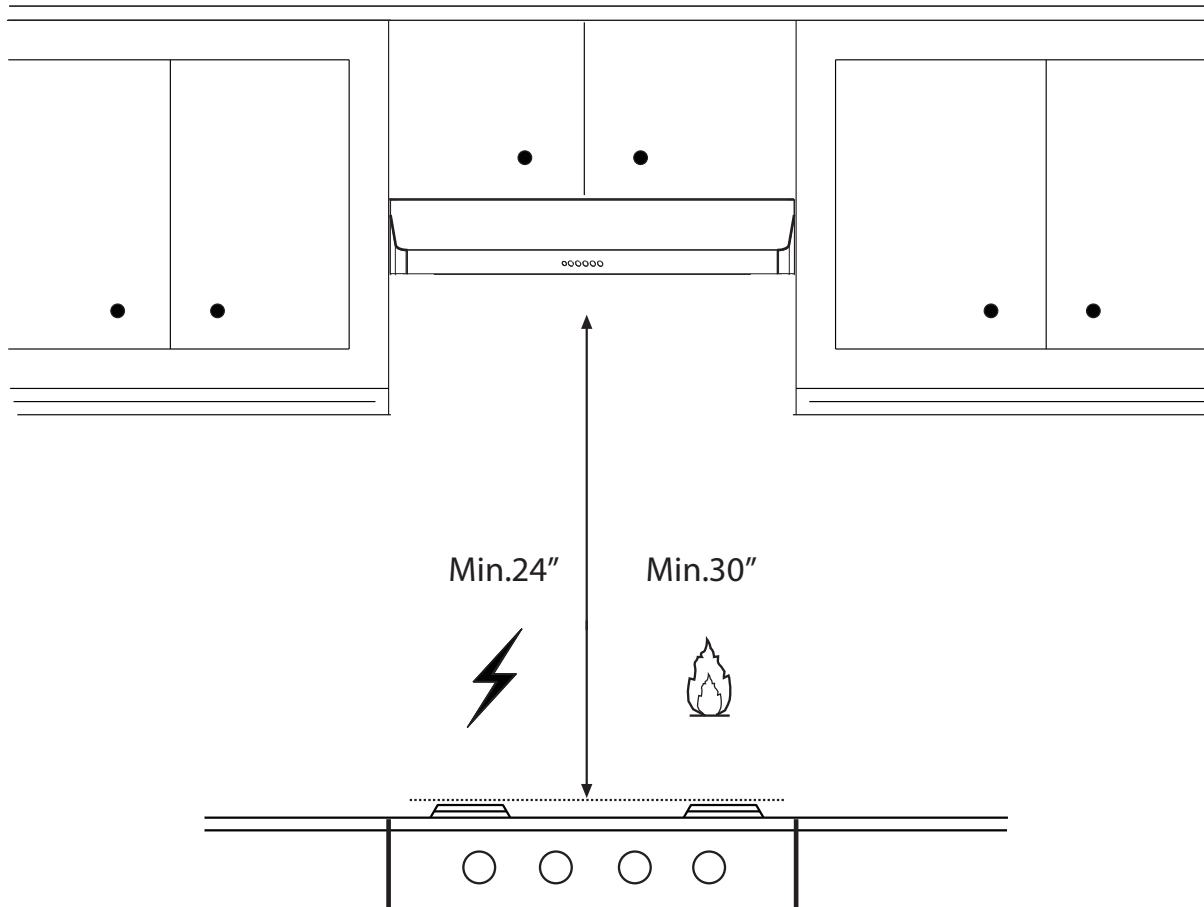


REQUISITOS DE ALTURA DE INSTALACIÓN

MÍN. 24" SOBRE
PLACA ELÉCTRICA

/





MIN. 30" SOBRE
PLACA DE GAS

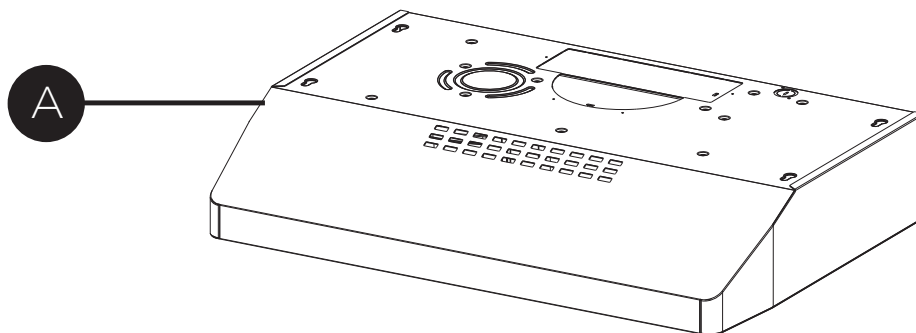
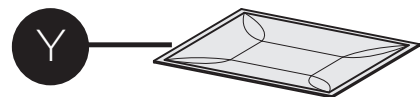
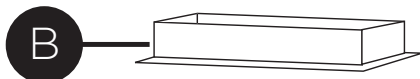
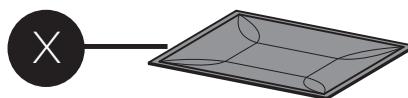
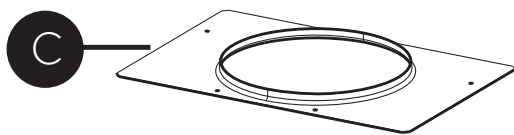


PIEZAS

PIEZAS INCLUIDAS


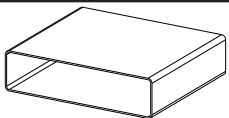


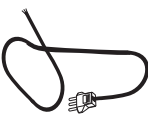

REF.	PIEZA	
A	Cuerpo de la campana - Incluye controles, luz, filtros, ventilador	1
B	Registro (3 1/4" x 10")	1
C	Brida redonda de 7"	1
X	Filtro de carbón vegetal	1
Y	Filtro de grasa	1

REF	PIEZA			
E	Tornillos Pozi (3/16" x 1 15/16")			4
F	Tornillos Torx (1/8" x 3/8")			4

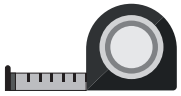

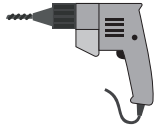
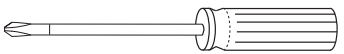




PIEZAS (cont.)

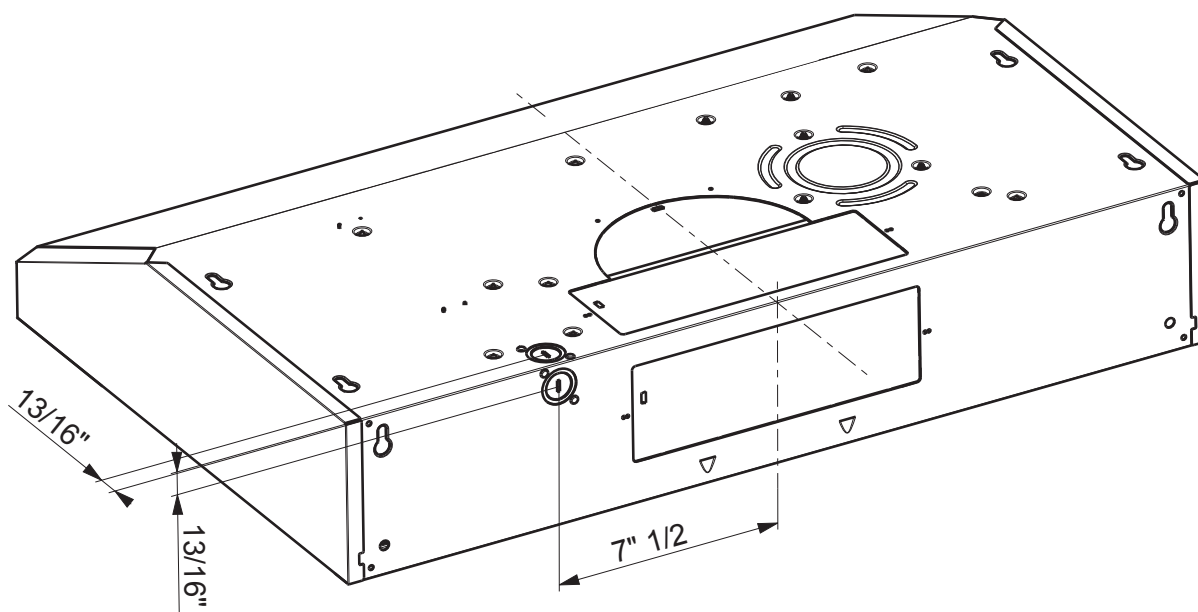
PIEZAS NECESARIAS

PIEZA	
Conducto metálico redondo de 7"	
Conductos rectangulares de 3 1/4 "x 10"	
Registro de 7"	
Conectores de cable.	
Cable de suministro de energía.	
Tacos para pared de yeso u otros sujetadores de pared adecuados según su instalación.	
La tapa de la pared/del techo deben comprarse por separado	

HERRAMIENTAS NECESARIAS

HERRAMIENTA	
Cinta métrica	
Lápiz	
Taladro eléctrico con broca de 5/16"	
Destornillador Phillips	
Destornillador Torx	
Destornillador Pozi	

ELEGIR EL PANEL ELÉCTRICO VERTICAL U HORIZONTAL

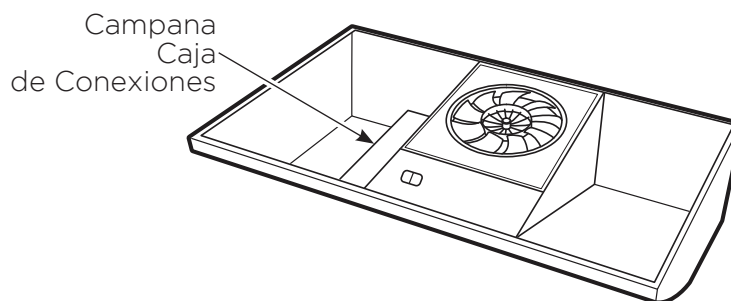


Preparación de la campana para los paneles eléctricos

1

PREPARACIÓN DE LA INSTALACIÓN ELÉCTRICA - EXTRACCIÓN DE LA CAJA DE CONEXIONES DE LA CAMPANA

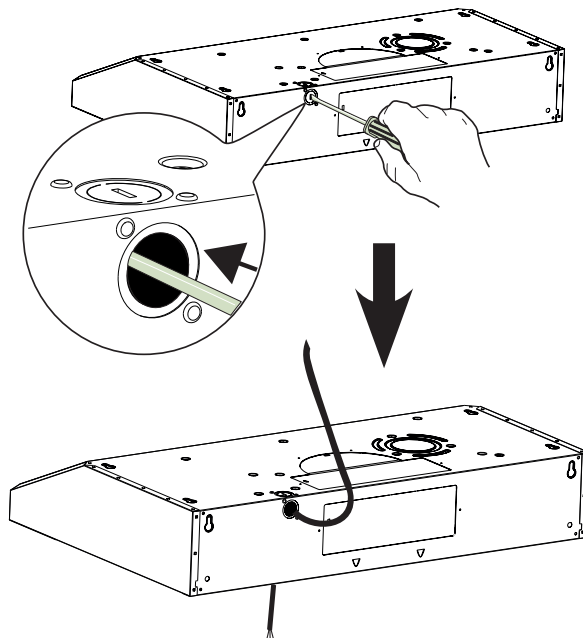
Retirar la caja de conexiones de la campana del interior de la misma. Coloque la cubierta y sus tornillos de montaje a un lado.



2**Orificio trasero (horizontal)**

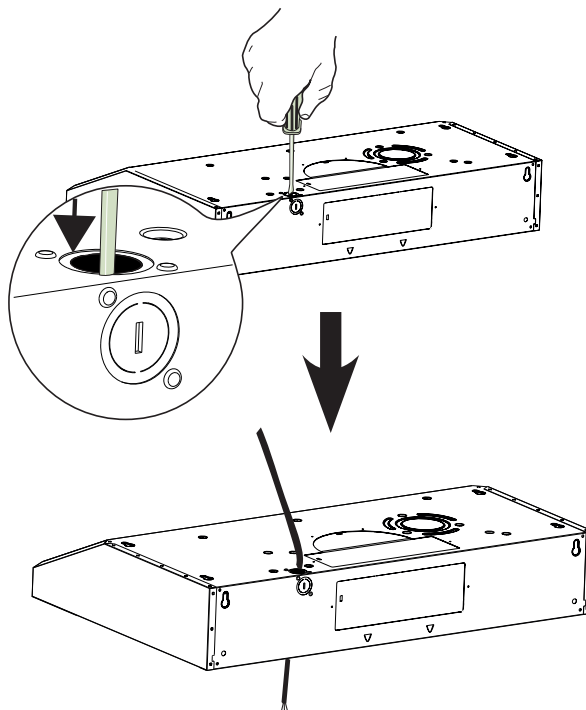
Elegir el orificio posterior para la conexión eléctrica y romper con un destornillador u otra herramienta.

Durante la instalación, pasar el cable de alimentación por este orificio.

**3****Orificio superior (vertical)**

Elegir el orificio superior para la conexión eléctrica y romper con un destornillador u otra herramienta.

Durante la instalación, pasar el cable de alimentación por este orificio.



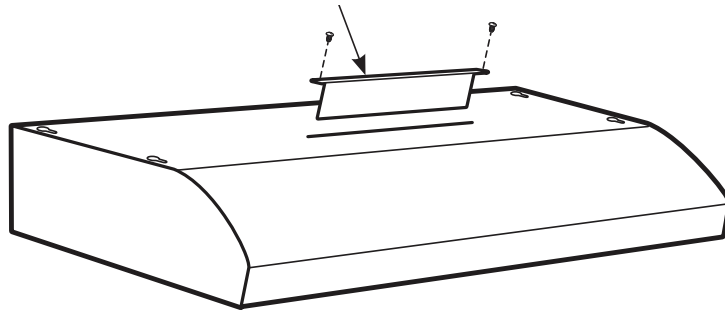
MÉTODO DE VENTILACIÓN CON CONDUCTO

1

INVERTIR EL DEFLECTOR SOLO PARA INSTALACIONES CON CONDUCTOS

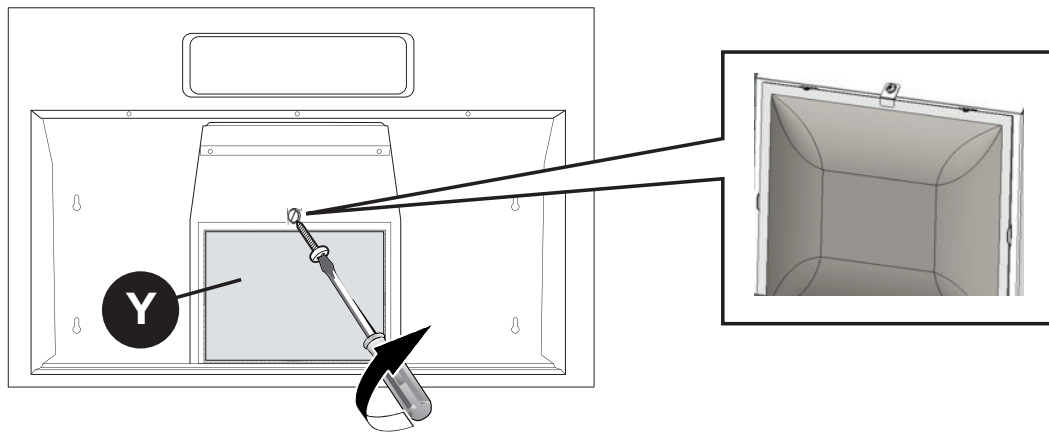
Retirar el deflector de la parte superior de la campana. Vuelva a instalar el deflector de manera que el lado corto marcado como "VENTILADO" sea visible. El lado largo del deflector debe estar dentro de la campana.

"VENTILADO" es visible



2

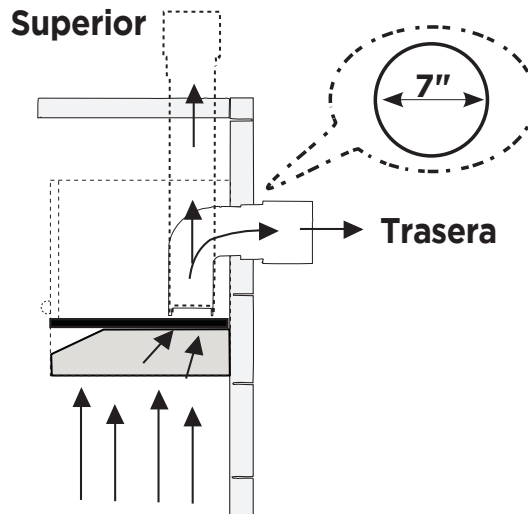
Instalar el filtro de grasa **Y** y fijar el tornillo como se muestra.



OPCIONES DEL MÉTODO DE VENTILACIÓN POR CONDUCTOS

CONDUCTO CON SALIDA REDONDA DE 7":

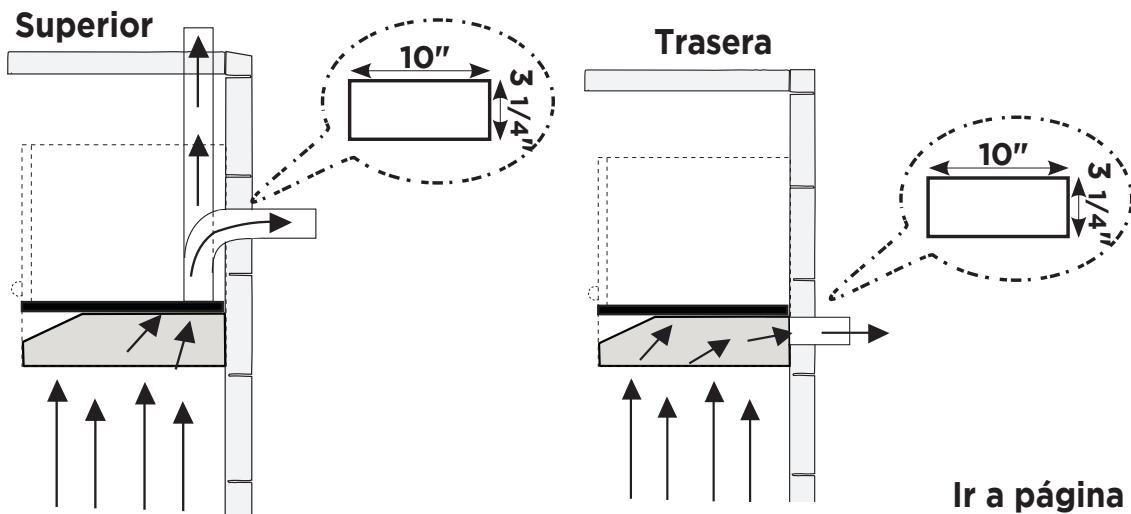
- Vertical
- Horizontal



Ir a página 78

CONDUCTO CON SALIDA RECTANGULAR DE 3 1/4" X 10"

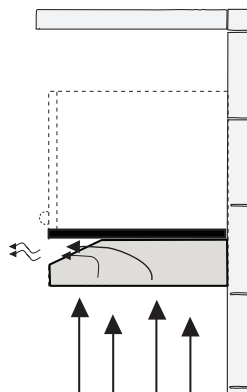
- Vertical
- Horizontal



Ir a página 80

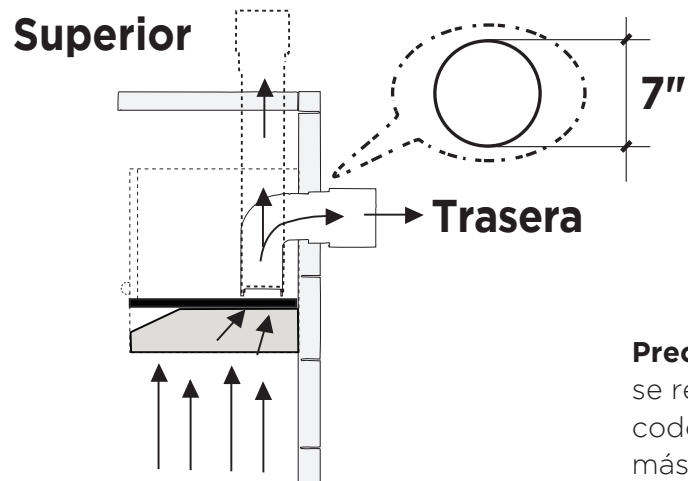
OPCIÓN DE RECIRCULACIÓN SIN CONDUCTOS

Requiere la compra del accesorio de carbón activado



Ir a página 81

CONDUCTO CON SALIDA REDONDA DE 7"



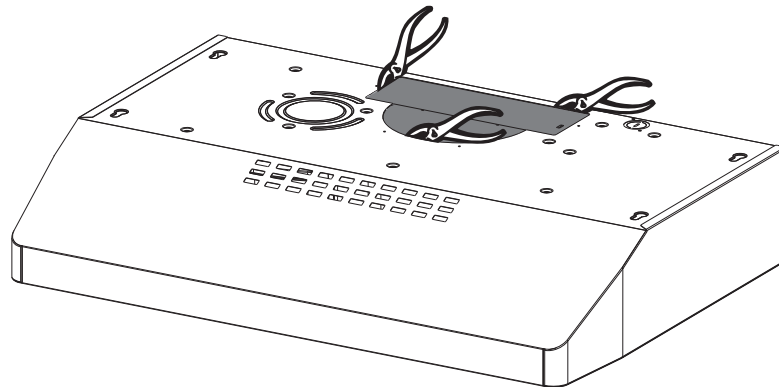
Precaución: Si se requiere un codo, hágalo lo más lejos posible de la apertura de extracción de la campana.

Se requiere; el regulador redondo de 7" se compra por separado.



1

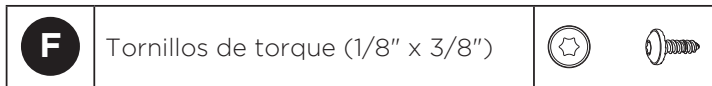
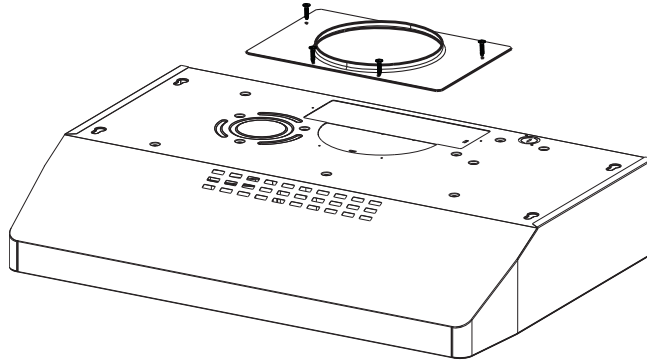
Cortar donde se indica.
Retirar las zonas rectangulares y semicírculos con tijeras de metal.



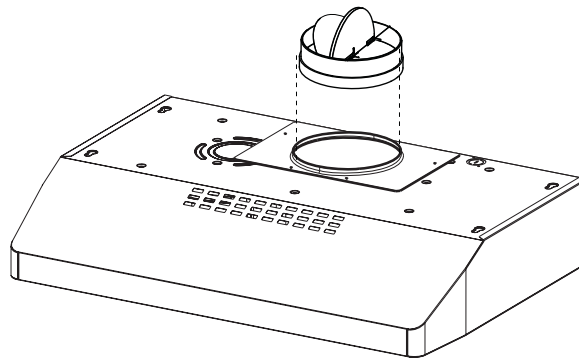
2

Instalar la brida con los tornillos de transición de la brida **F**.

NOTA: La brida debe montarse con el labio hacia arriba.
Utilizar solo los tornillos proporcionados para la brida

**3**

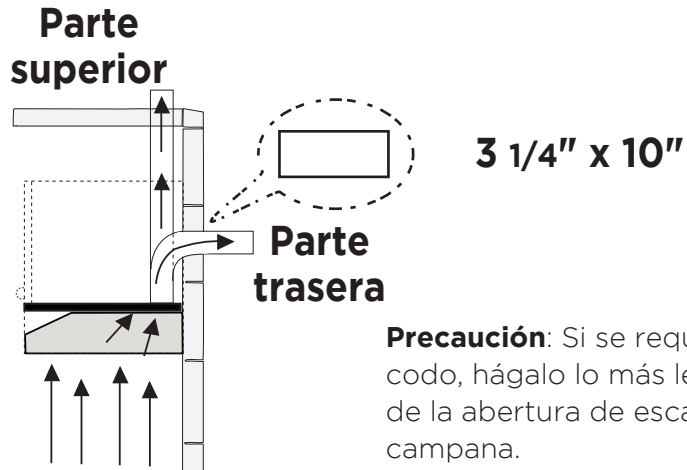
Instalar el regulador redondo de 7" comprado separadamente. Asegurar el regulador con cinta aislante metálica.

**4**

Conectar el conducto metálico redondo de 7" a la tapa del techo o de la pared que se compra por separado y luego fijar el conducto.

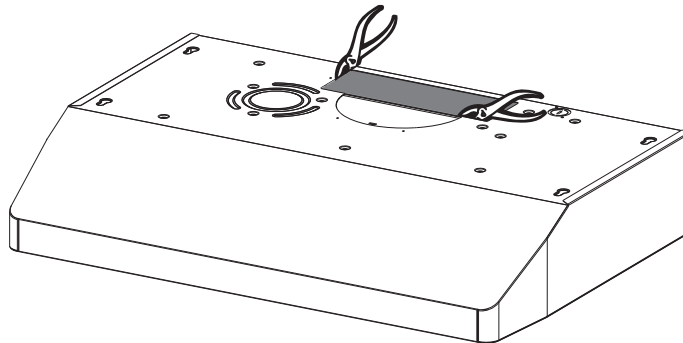
Ir a página 83

CANALIZADA - SALIDA RECTANGULAR DE 3 1/4" X 10" EN LA PARTE SUPERIOR

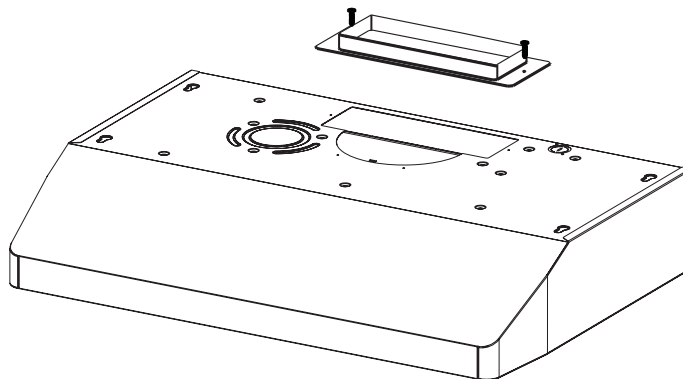


- 1 Elija la salida de aire superior rectangular o la salida de aire trasera rectangular y corte donde se indique (consulte la página 81 para ver la salida trasera).

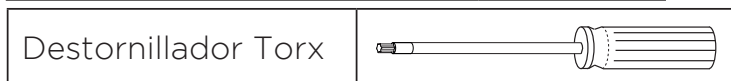
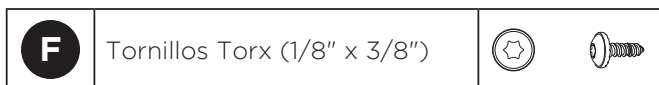
Parte superior



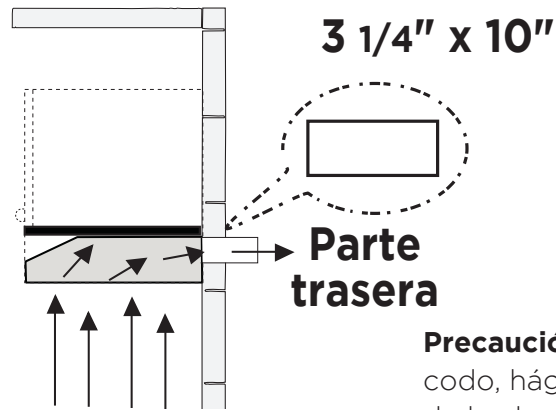
- 2 Instale la salida de aire rectangular incluida con dos tornillos **F**.



- 3 Conecte los conductos metálicos al techo o la tapa de pared, que se compran por separado, y luego conecte los conductos.



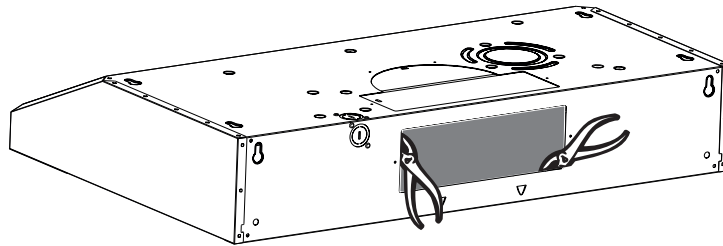
CANALIZADA - SALIDA RECTANGULAR DE 3 1/4" X 10" EN LA PARTE TRASERA



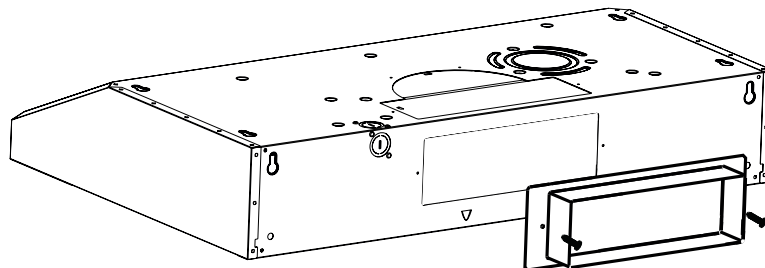
Precaución: Si se requiere un codo, hágalo lo más lejos posible de la abertura de escape de la campana.

- 1 Use la salida de aire trasera y corte donde se indique.

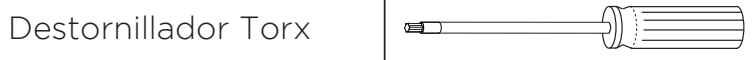
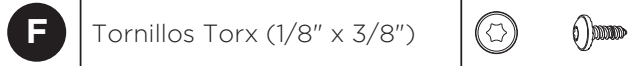
Parte trasera



- 2 Instale la salida de aire rectangular incluida con dos tornillos **F**.



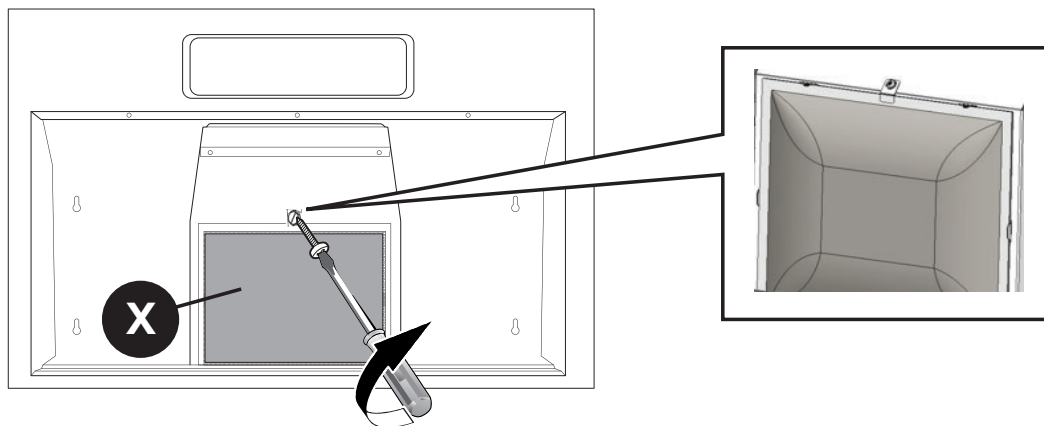
- 3 Conecte los conductos metálicos al techo o la tapa de pared, que se compran por separado, y luego conecte los conductos.



Ir a la
página 83

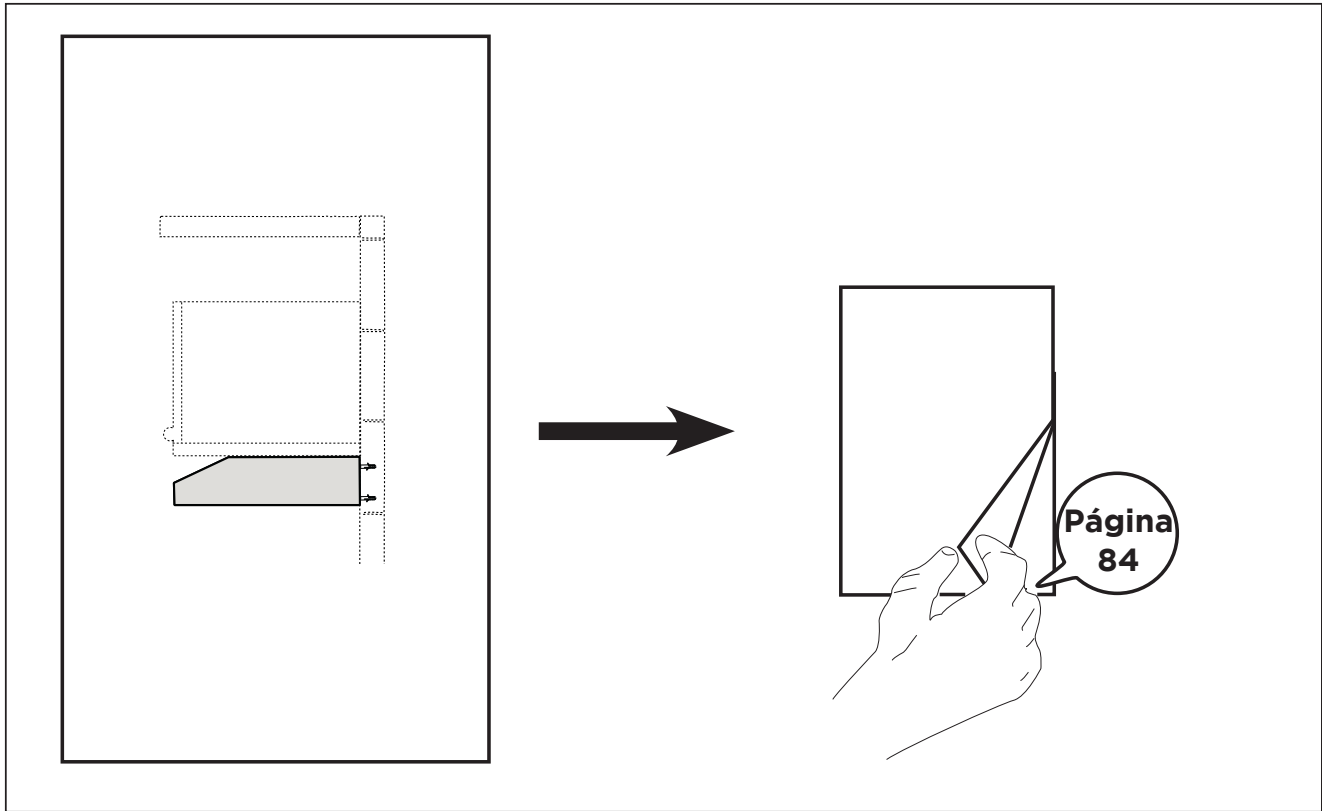
OPCIÓN DE RECIRCULACIÓN SIN CONDUCTOS

- 1 Instalar el filtro de carbón vegetal **X** y fije el tornillo como se muestra.

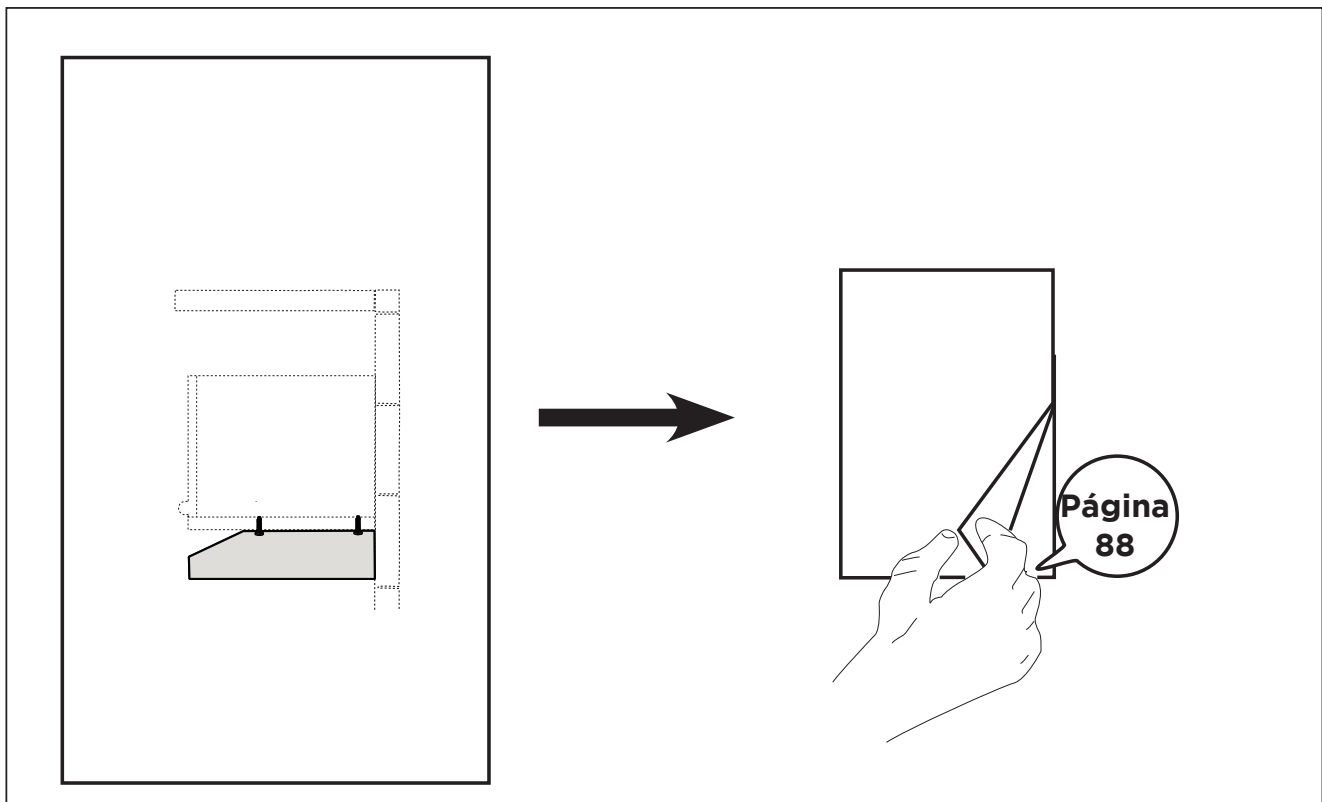


ELECCIÓN DEL MÉTODO DE MONTAJE

Instalación para montaje en la pared



Instalación para montaje en gabinete



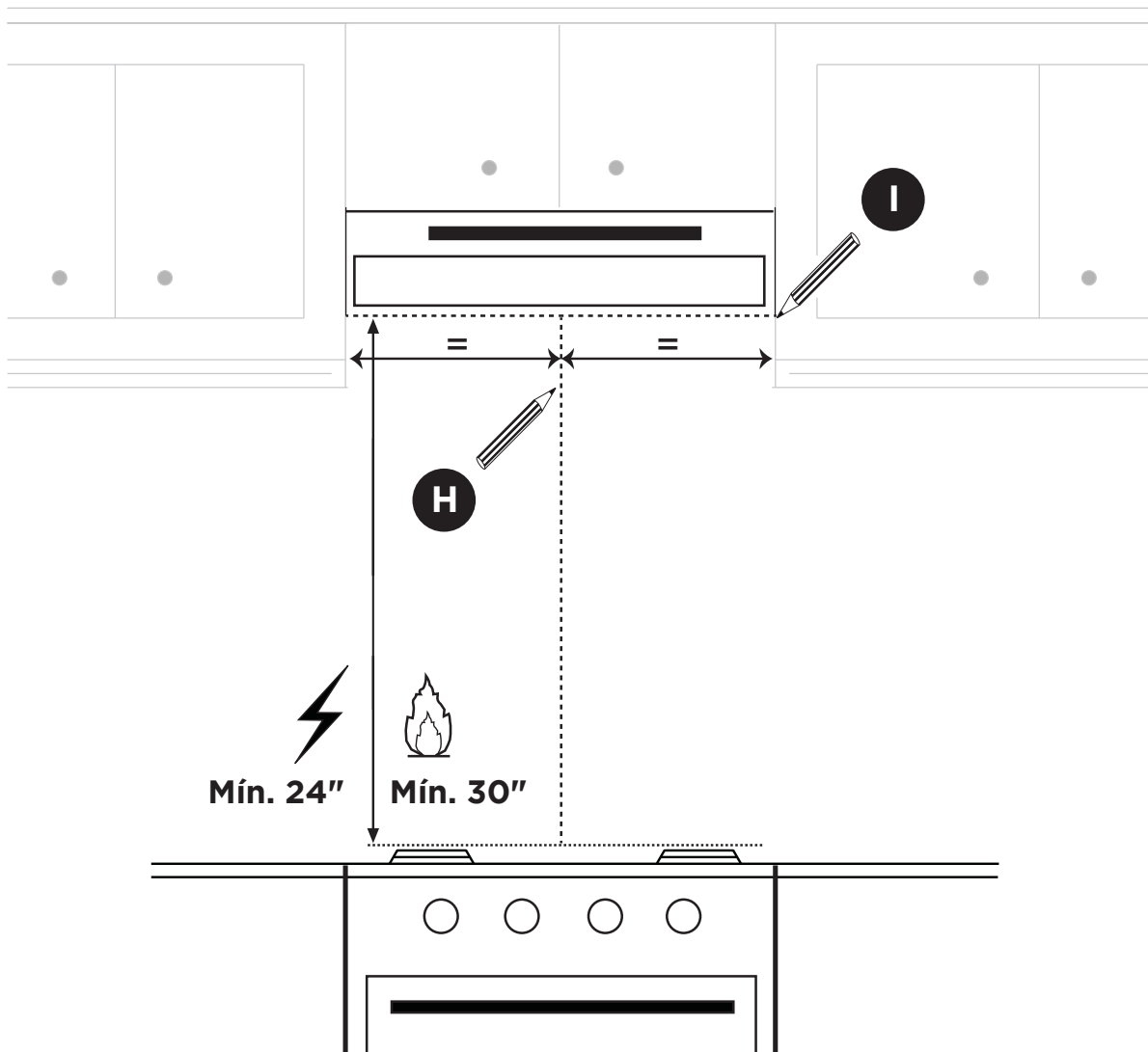
MONTAJE DE LA CAMPANA EXTRACTORA EN LA PARED

1

TRACE LÍNEAS DE POSICIONAMIENTO

Trace una línea vertical en la pared **H** desde soporte hasta el techo, o tan alto como sea posible, en el centro de la zona en la que se instalará la campana.

Trace una línea horizontal **I** desde donde se ubicará el borde inferior de la campana, a un mínimo de 24" sobre una superficie de cocción eléctrica y 30" sobre una superficie de cocción de gas.



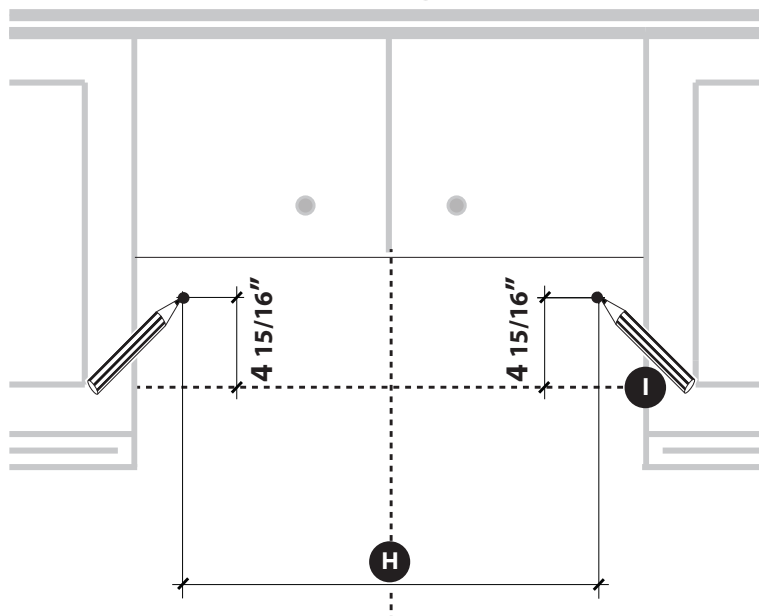
MÍN. 24" SOBRE PLACA ELÉCTRICA / MÍN. 30" SOBRE PLACA DE GAS

MONTAJE DE LA CAMPANA EXTRACTORA EN LA PARED

2

Marque la pared para los anclajes superiores.

Marque la pared donde se indica $4 \frac{15}{16}$ " sobre **I** la línea **J** horizontal a la distancia a la izquierda y derecha de la línea vertical **H**.



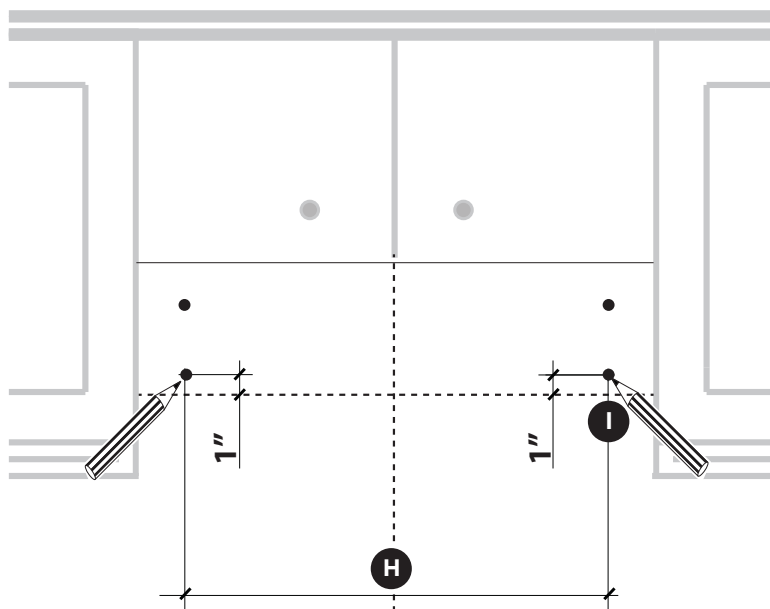
$$24'' = 21 \frac{3}{8}''$$

$$\text{J } 30'' = 27 \frac{3}{8}''$$

3

Marque la pared para los anclajes inferiores.

Marque 1" debajo del Paso 2. Anclajes superiores. Tenga cuidado de mantener el nivel.

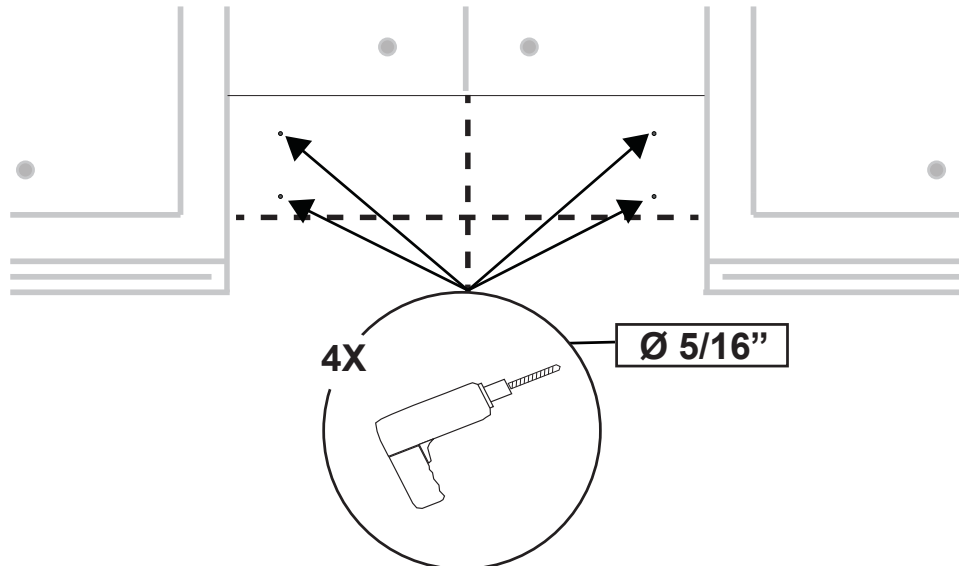


$$24'' = 21 \frac{3}{8}''$$

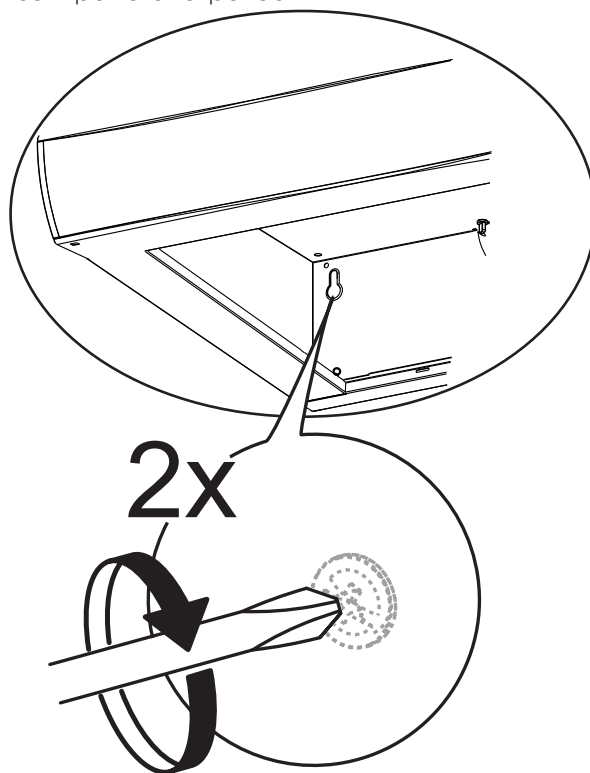
$$\text{J } 30'' = 27 \frac{3}{8}''$$


MONTAJE DE LA CAMPANA EXTRACTORA EN LA PARED

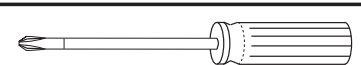
- 4** Taladre un orificio de 3/16 directamente en la pared en los puntos centrales marcados en el paso 3.
Si las ubicaciones de los sujetadores no se alinean con los postes, inserte los tacos de pared comprados en los agujeros.



- 5** En los orificios superiores, use dos de los tornillos suministrados **E** para asegurar el cuerpo de la campana a la pared.

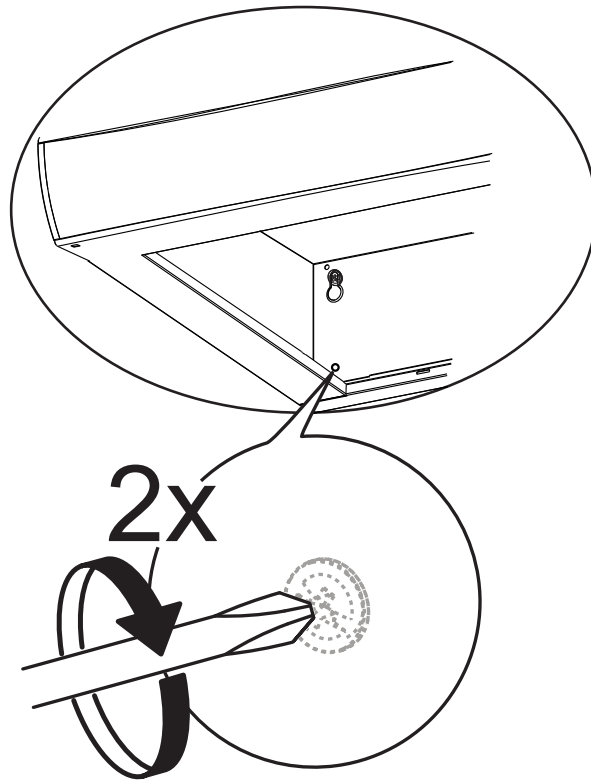




E	Tornillos Pozi (3/16" x 1 15/16")	
----------	-----------------------------------	--


Destornillador Pozi	
---------------------	---

MONTAJE DE LA CAMPANA EXTRACTORA EN LA PARED

- 6** Usando dos tornillos restantes **E** ancle la campana en los agujeros inferiores como se indica.

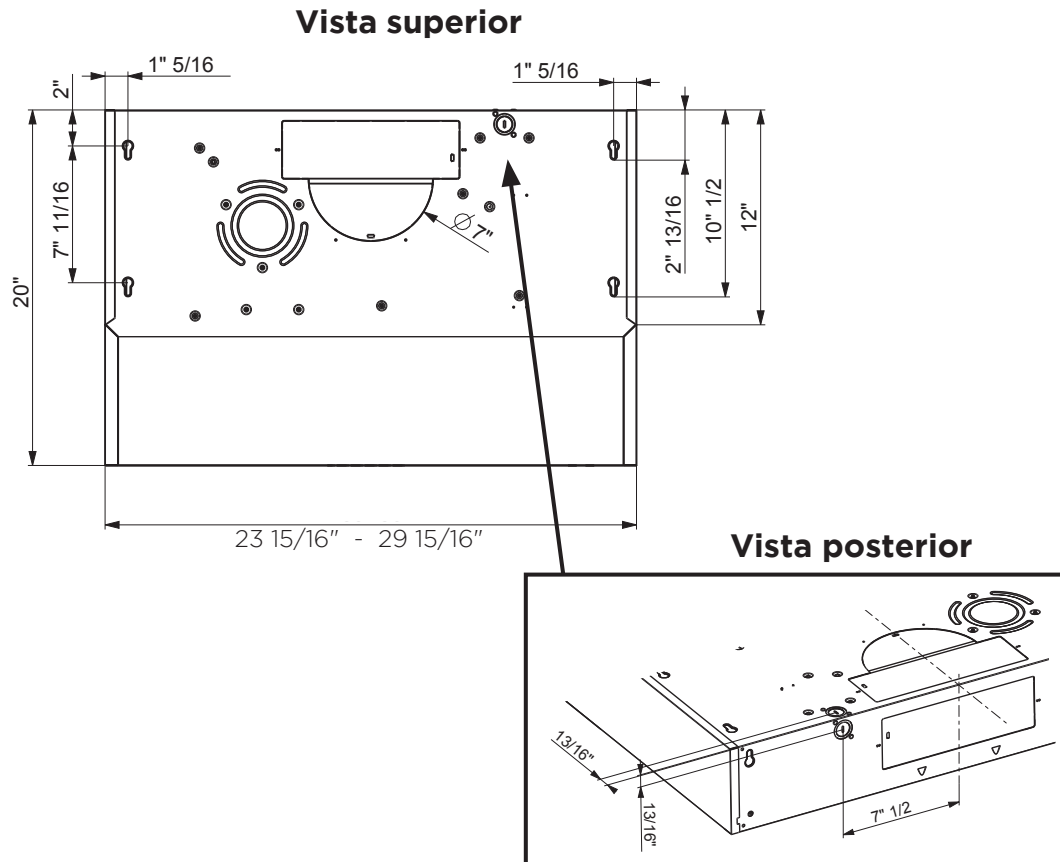


E	Tornillos Pozi (3/16" x 1 15/16")	 
----------	-----------------------------------	--

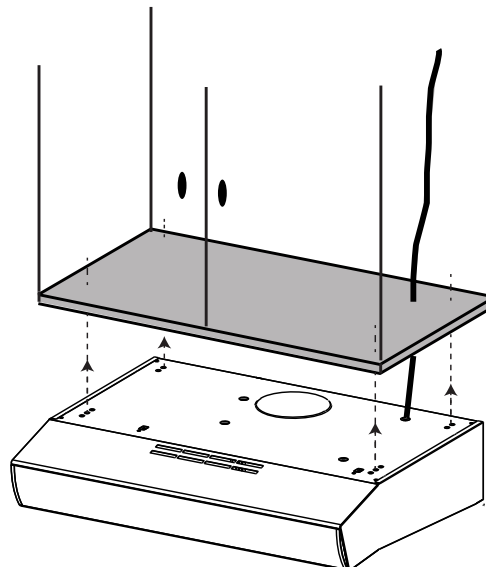
Destornillador Pozi	
---------------------	---

MONTAJE DE LA CAMPANA EXTRACTORA BAJO EL ARMARIO

- 1 Localizar el orificio de la campana extractora para el cable de alimentación (Consultar la sección "ELEGIR EL PANEL ELÉCTRICO VERTICAL U HORIZONTAL") y pasar el cable por el orificio correspondiente.



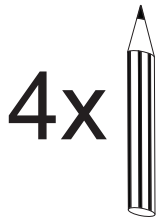
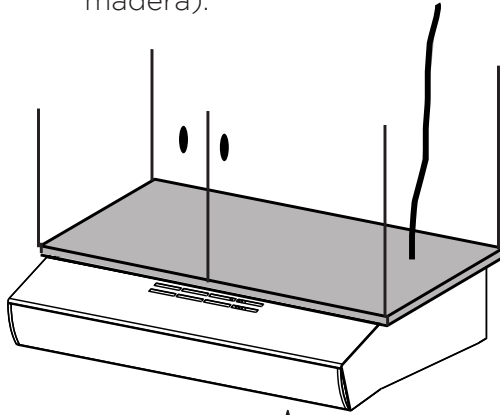
- 2 Levantar la campana hasta el armario y pasar el cable de alimentación por los orificios correspondientes de la campana extractora y a través del armario hasta la fuente de alimentación.



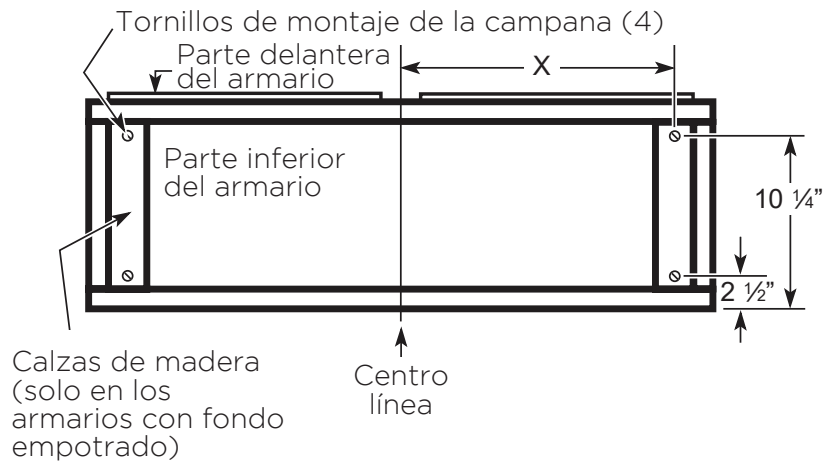
MONTAJE DE LA CAMPANA EXTRACTORA BAJO EL ARMARIO

3 Marcar los orificios para fijar la campana al armario. Comprobar la medida con el diagrama de la página anterior.

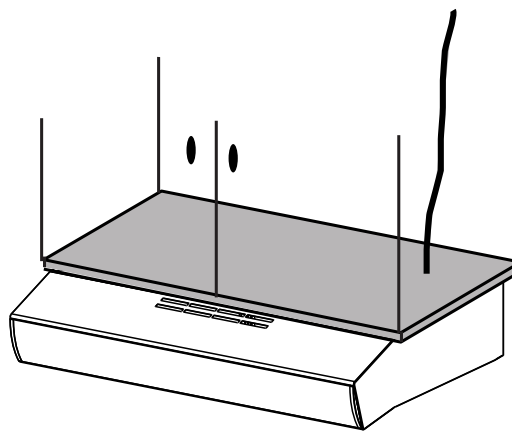
NOTA: Introducir los 4 **E** parcialmente en el fondo del armario (o en las calzas de madera).



Armario	X
24"	10 3/4"
30"	13 3/4"



4 Fijar el cuerpo de la campana con 4 tornillos **E** desde la parte inferior disponible con la campana.



E	Tornillos Pozi (3/16" x 1 15/16")		
----------	-----------------------------------	--	--

Destornillador Pozi	
---------------------	--

CONEXIÓN DE LA ELECTRICIDAD

1

Conexión a la alimentación de la casa.

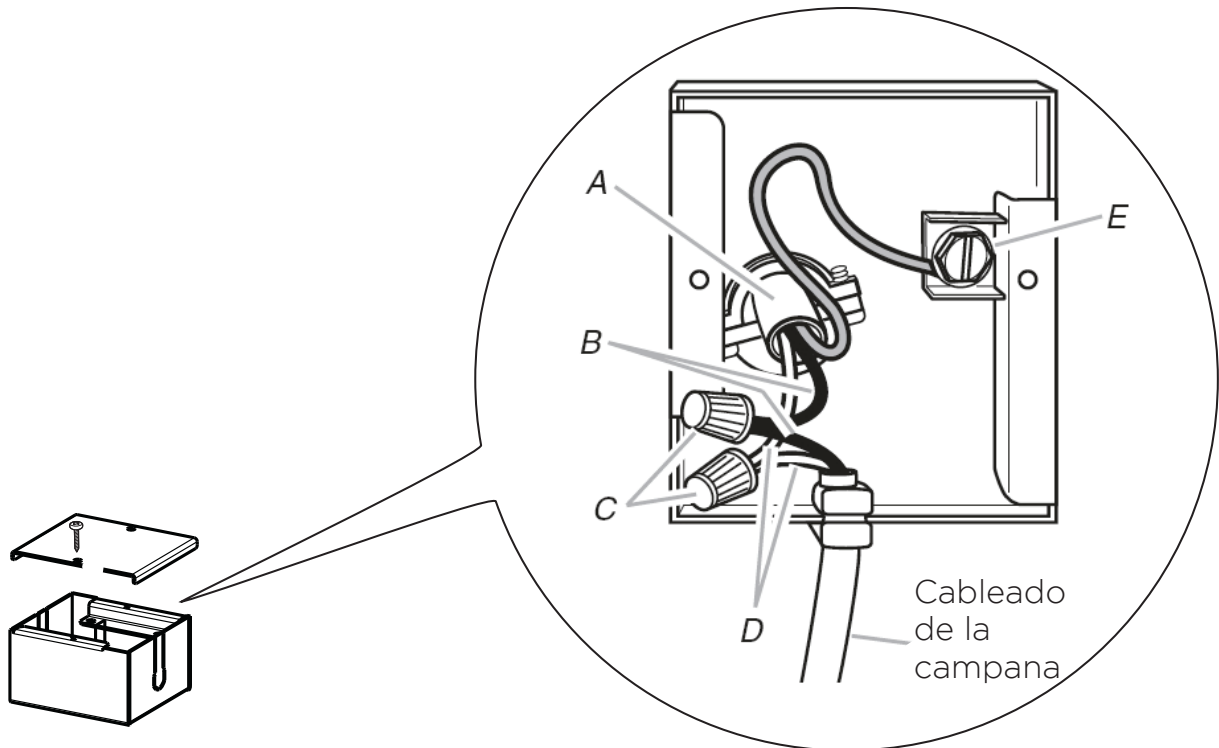
¡Precaución! No encienda la alimentación de la casa hasta que se complete la instalación.

- Pase el cable de la fuente de alimentación a través del panel eléctrico.

2

Conexión de la caja de cableado.

- Conecte el cable blanco de la fuente de alimentación (**A**) al cable blanco de campana extractora (**D**) con un conector de cable tipo twist-on.
- Conecte el cable negro de la fuente de alimentación al cable negro de la campana extractora (**B**) con un conector de cable de tipo giratorio (**C**).
- Conecte el cable de tierra verde (**E**) (verde y amarillo) debajo del tornillo de conexión a tierra.



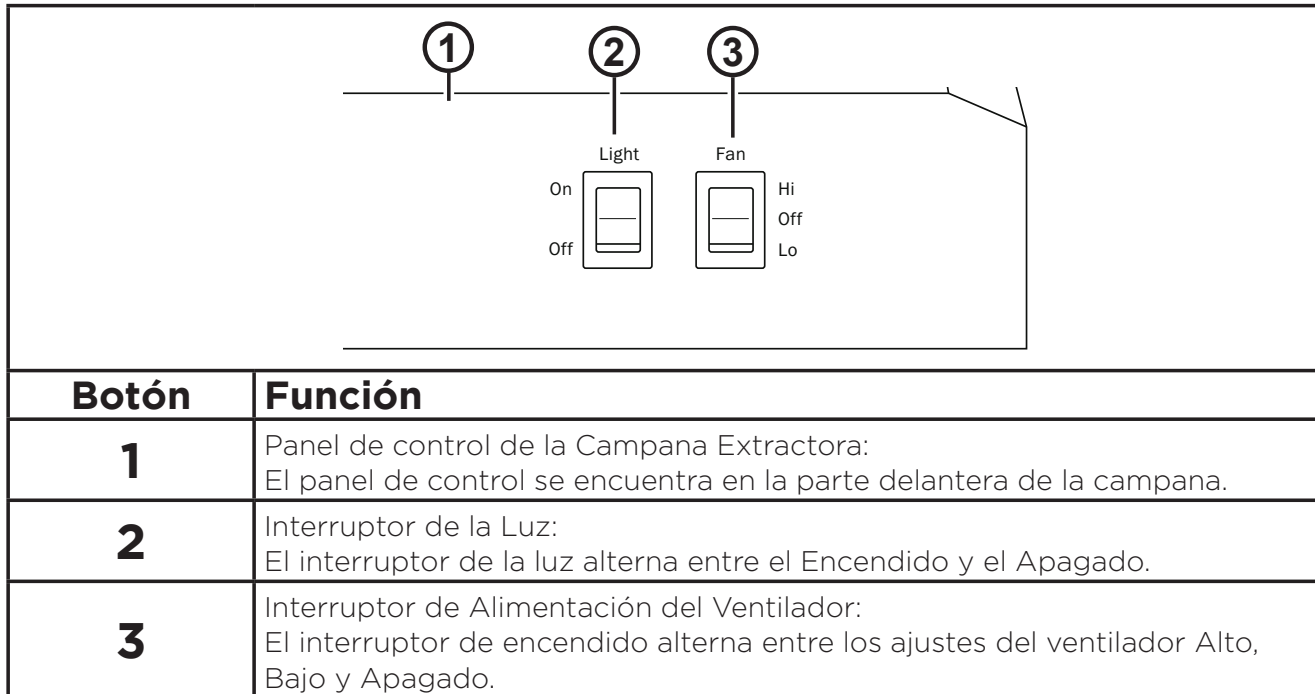
3

Reemplace la cubierta del compartimento de cableado de campo y los filtros de grasa

OPERACIÓN DE LOS CONTROLES

PARA OBTENER MEJORES RESULTADOS

Ponga en marcha la Campana Extractora varios minutos antes de cocinar para desarrollar un flujo de aire adecuado. Deje que la Campana Extractora funcione durante varios minutos después de terminar de cocinar para eliminar todo el humo y los olores de la cocina.



Superficies Pintadas (en algunos modelos)

No utilizar esponjas de lana de acero u otros limpiadores abrasivos; rayarán la superficie.

Limpiar con frecuencia las superficies de la campana cargadas de grasa. Para limpiar la superficie de la campana, utilice un paño caliente y húmedo con un detergente suave adecuado para superficies pintadas. Se puede añadir una cucharada de amoníaco al agua. Utilizar un paño limpio, caliente y húmedo para eliminar el jabón. Secar con un paño seco y limpio.

NOTA: Al limpiar, tenga cuidado de no entrar en contacto con los filtros y otras superficies.

⚠ PRECAUCIÓN Cuando limpie las superficies de la campana, asegúrese de no tocar la luz con las manos o el paño húmedos. Una luz tibia o caliente puede romperse si se toca con una superficie húmeda. Deje siempre que la luz se enfríe completamente antes de limpiar alrededor de ella.

CUIDADO DE LOS FILTROS

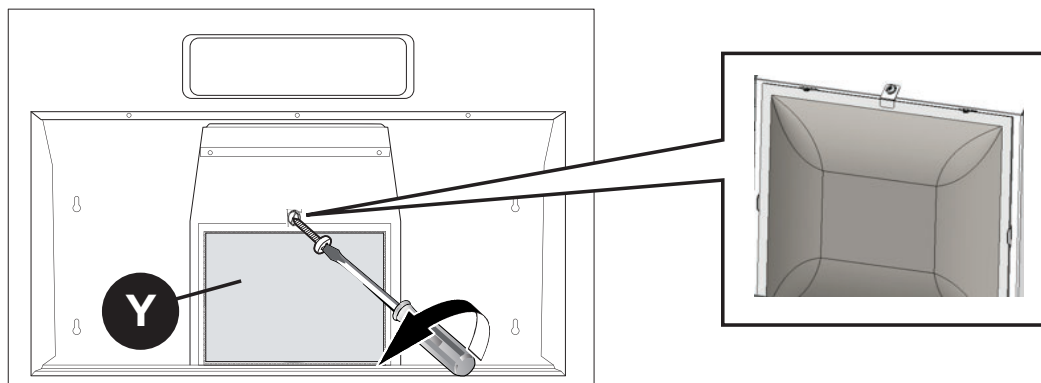
LIMPIEZA DE LOS FILTROS DE GRASA METÁLICOS

Los filtros de grasa metálicos pueden limpiarse en una solución de detergente caliente o lavarse en el lavavajillas.

Deben limpiarse cada 2 meses de uso, o con mayor frecuencia si el uso es particularmente intenso.

1

Retire el tornillo como se muestra y saque el filtro de grasa **Y**.



2

Lavar el filtro sin doblarlo. Dejarlo secar bien antes de volver a colocarlo. Si la superficie del filtro cambia de color con el tiempo, la eficacia no se verá afectada.

3

Encaje las lengüetas en la parte inferior del filtro en las ranuras de la parte posterior de la abertura del filtro. Levante la parte delantera del filtro y empuje suavemente hasta que el filtro quede bloqueado en su sitio. Coloque el filtro y asegúrelo con el tornillo retirado anteriormente.

NOTAS:

- La limpieza en el lavavajillas puede deteriorar el acabado de los filtros de grasa metálicos.
- Asegurarse de que los filtros están completamente secos antes de volver a instalarlos en la campana extractora.

LIMPIEZA DE LAS SUPERFICIES EXTERIORES

Por favor, tenga en cuenta que los abrasivos y los agentes de fregado pueden rayar los acabados de la campana extractora y no deben utilizarse para limpiar las superficies acabadas.

Instrucciones para la limpieza del acabado de Acero Inoxidable:

Limpie las superficies exteriores con un limpiador de acero inoxidable disponible comercialmente.

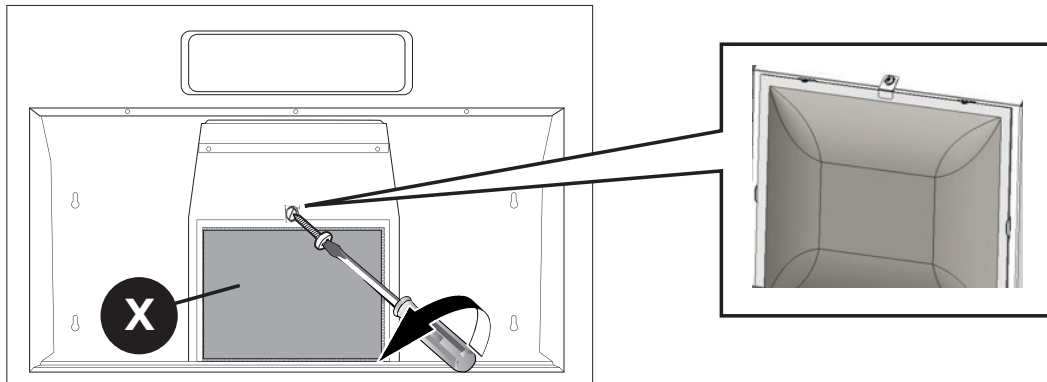
SUSTITUCIÓN DEL FILTRO DE CARBÓN ACTIVADO

Los Filtros de Carbón Activado no son lavables y no pueden ser regenerados, por lo que deben ser reemplazados aproximadamente cada 4 meses de funcionamiento, o con mayor frecuencia en caso de uso intensivo.

Póngase en contacto con Faber para obtener más información sobre el carbón vegetal de repuesto. NO enjuague, ni ponga los filtros de carbón vegetal en un lavavajillas automático.

1

Retire el tornillo como se muestra y saque el filtro de carbón vegetal **X**.



2

Tire hacia abajo del centro del borde delantero del filtro. El filtro se deslizará fuera de las lengüetas de retención en la parte posterior. Para sustituirlo, deslice el borde posterior del filtro en las lengüetas de sujeción y empuje el borde delantero hacia arriba hasta que encaje en su sitio.

Coloque el filtro y asegúrelo con el tornillo retirado anteriormente.



Filtro de carbón vegetal reemplazable

SUSTITUCIÓN DE LA ILUMINACIÓN

Se sugiere la sustitución por una bombilla incandescente de tipo A15, E26, 40 vatios

1

Antes de intentar sustituir las luces, asegúrese de que el interruptor de la luz está apagado.

2

Retire la cubierta de la luz presionando los lados con dos dedos hasta que se suelten las puntas laterales. Levante la cubierta de la luz y deslícela hacia usted en un solo movimiento.

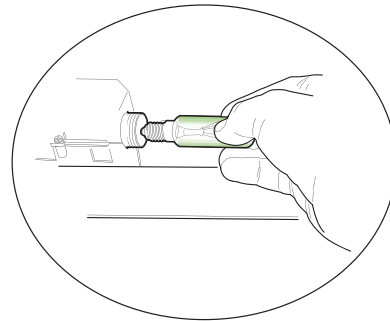
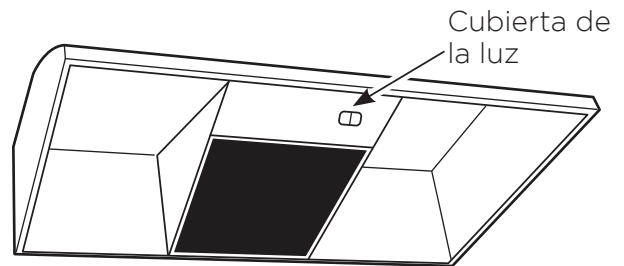
3

Desenrosque la luz en el sentido contrario a las agujas del reloj para desbloquearla y sáquela. Sustituya la lámpara por una nueva del mismo tipo (incandescente estándar), asegurándose de que el enchufe esté correctamente insertado en la carcasa del portalámparas.

Atención: Las bombillas pueden estar calientes, espere unos minutos antes de sustituirlas.

4

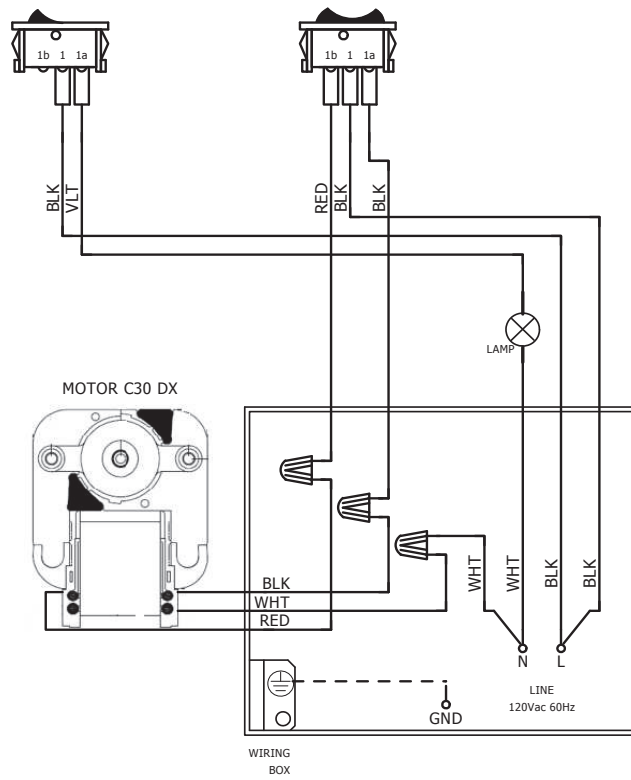
Para reemplazar la cubierta de la luz, inserte la punta ubicada en el extremo de la cubierta en la abertura superior. Empuje suavemente la cubierta hacia arriba y presione los lados para encajar las puntas laterales en las aberturas laterales. Suéltela y la cubierta se bloqueará en su posición.



**PRECAUCIÓN -
RIESGO DE
INCENDIO,
LÁMPARA
MÁXIMA DE 60
W TIPO A19**

DIAGRAMA DE CABLEADO

HOOD INTERNAL CONTROL



GARANTÍA

GARANTÍA Y SERVICIO AL CONSUMIDOR FABER

Todos los productos Faber están garantizados contra cualquier defecto de materiales o mano de obra para el comprador original por un período de 1 año a partir de la fecha de compra original (requiere prueba de compra). Esta garantía cubre mano de obra y piezas de repuesto. Faber, a su elección, puede reparar o reemplazar el producto o componentes necesarios para restaurar el producto en buenas condiciones de trabajo. Para obtener el servicio de garantía, póngase en contacto con el distribuidor de quien adquirió la campana extractora o con el distribuidor local de Faber. Si no puede identificar a un distribuidor local de Faber, comuníquese con nosotros al (508) 358-5353 para obtener el nombre de un distribuidor en su área.

Lo siguiente no está cubierto por la garantía de Faber:

1. Llamadas de servicio para corregir la instalación de su campana extractora, para instruirle sobre cómo usar su campana extractora, para reemplazar o reparar fusibles de la casa o para corregir el cableado de la casa o la plomería.
2. Llamadas de servicio para reparar o reemplazar las bombillas, fusibles o filtros de la campana extractora. Estas partes de consumibles están excluidas de la cobertura de la garantía.
3. Reparaciones, cuando su campana extractora se utiliza para uso doméstico distinto al normal.
4. Daños resultantes de accidente, alteración, mal uso, abuso, incendio, inundación, eventos naturales, instalación incorrecta, instalación no conforme a los códigos eléctricos o de plomería o la documentación de Faber, o uso de productos no aprobados por Faber.
5. Piezas de repuesto o costos de mano de obra de reparación para unidades operadas fuera de los Estados Unidos o Canadá, incluyendo cualquier campana de cocina Faber no aprobada por UL o C-UL.
6. Reparaciones a la campana resultantes de modificaciones no autorizadas a la misma.
7. Gastos de viaje y transporte para el servicio del producto en lugares remotos, y gastos de recogida y entrega. Las campanas de cocina Faber deben ser reparadas en el hogar.

ESTA GARANTÍA NO PERMITE LA RECUPERACIÓN DE DAÑOS INCIDENTALES O CONSECUENTES, INCLUYENDO, SIN LIMITACIÓN, DAÑOS DIRECTOS, INDIRECTOS, INCIDENTALES, ESPECIALES O CONSECUENTES, LESIONES PERSONALES O MUERTE INCORRECTA O BENEFICIOS PERDIDOS. LA GARANTÍA DE FABER SE LIMITA A LAS CONDICIONES ANTERIORES Y AL PERÍODO DE GARANTÍA ESPECIFICADO AQUÍ Y ES EXCLUSIVA. EXCEPTO DADO LO EXPRESAMENTE ESPECIFICADO EN ESTE ACUERDO, FABER RENUNCIA A TODAS LAS CONDICIONES, REPRESENTACIONES Y GARANTÍAS EXPRESAS O IMPLÍCITAS INCLUYENDO, SIN LIMITACIÓN, CUALQUIER GARANTÍA IMPLÍCITA DE COMERCIALIZACIÓN O ADECUACIÓN PARA UN PROPÓSITO PARTICULAR.

Esta garantía le otorga derechos legales específicos que pueden variar de estado a estado.

Modelo: _____ Número de serie _____

