



## Operating Instructions

### Electric Throw



Model: GSETH140

This page has been intentionally left blank.

# General Care and Safety Guide

**YOUR SAFETY IS IMPORTANT TO US. PLEASE ENSURE YOU TAKE NOTE OF THE INSTRUCTIONS AND WARNINGS OUTLINED IN THIS MANUAL.**

**CAUTION:** In order to avoid a hazard due to inadvertent resetting of the thermal cut-out, this appliance must not be supplied through an external switching device, such as a timer, or connected to a circuit that is regularly switched on and off by the utility.

- This appliance is not intended for use by persons (including children) with reduced physical, sensory or mental capabilities or lack of experience and knowledge, unless they are supervised or have been given instruction concerning the use of the appliance by a person responsible for their safety.
- Children should be supervised to ensure that they do not play with the appliance.
- If the supply cord is damaged, it must be replaced by the manufacturer, its service agent or similarly qualified persons in order to avoid a hazard.
- Use only the voltage specified on the rating label of the appliance.
- The heater must not be located immediately below a socket outlet.
- This appliance is intended for household use only and not for commercial or industrial use.
- Indoor use only.
- Use this appliance only as described in this manual. Any other use is not recommended by the manufacturer and may cause fire, electric shock or injury.
- Always unplug appliance when not in use.
- When the appliance has been unpacked, check it for transport damage and ensure all parts have been delivered. If parts are missing or the appliance has been damaged, contact the Customer Services Team.
- Do not use if there are visible signs of damage to the throw.
- It is recommended that this electric throw is plugged directly into the wall socket.
- A correctly specified, undamaged extension cord may be used with this electric throw provided it is used in a safe manner.
- Do not operate with cord set coiled up as a heat build up is likely, which could be sufficient to become a hazard.
- The power cord must be routed to prevent it being sat on or rolled on when getting in and out of the chair.

# General Care and Safety Guide

- Do not trap, wrap or fold cords between bed slats, mattress, or springs, or against walls, headboards or bed frame as this may cause damage to the cord.
- Carry out regular checks of the supply cord to ensure no damage is evident.
- Do not pinch, flex, or expose the heating wire. Damaged heating wire may cause a fire hazard or personal injury.
- Do not place power cord under carpet or cover with rugs or furniture. Arrange the cord so it cannot be tripped over.
- Do not use the electric throw on a bed used by an infant, incapacitated person, paraplegic, quadriplegic, diabetic, or by any person insensitive to heat or other vulnerable persons who are unable to react to overheating.
- This product is not intended for medical use in hospitals.
- Do not use this product on a damp mattress or on a water bed.
- Do not use on an adjustable bed.
- If you find any damage to your electric throw, if your electric throw does not work, or is not working properly, contact the place of purchase or the Goldair Customer Services Team.
- Repair work on the electric throw by unqualified persons can cause serious risk to the user. Only use a qualified electrician.
- There are no user serviceable parts installed in the electric throw.
- Ensure hands are dry before handling the plug or controls.
- Do not dry clean the electric throw. Do not use bleach or harsh cleaning fluids as the cleaning liquid may damage the insulation of the heating element.
- Do not use any pins, needles, safety pins or other sharp items on your electric throw as they will damage the electric wiring.
- Keep all dogs, cats, and other pets away from the electric throw.
- Never use the electric throw to dry clothes.
- Do not tuck in the electric throw as this may cause over heating and/or fire.
- The electric throw can be used only with the electric throw controller provided by the manufacturer. Any other electric throw controller may cause overheating and/or fire.
- Do not unplug the product by the power cord while in use. Always turn the power off at the power outlet before you remove the plug. Remove by grasping the plug; do not pull on the cord.
- Never sleep with the electric throw turned on.
- The electric throw must not be powered on when folded. Always ensure the throw is laid flat without kinks or overlaps.
- If your appliance does not work, or is not working properly, contact the place of purchase or the Customer Services Team.

# Operating Your Electric Throw

## Important instructions: Retain for future use.

### BEFORE FIRST USE:

Before using your electric throw for the first time, it needs to be unfolded and laid flat before switching on.

NOTE: This electric throw is to only be used as an over blanket.

**CAUTION:** Ensure the power cord is not tight because if pulled it may partially pull the plug from the socket. A partially inserted plug will overheat the plug and socket and could result in fire.

### EVERYDAY USE

Your heated throw can be used on a couch or draped around you in your favourite chair to provide cosy comfort whenever you need it.

Never sleep with Electric Throw turned on.

NOTE: Children under the age of 3 are not to use this appliance due to their inability to react to heat.



**Not to be used by very young children (0-3 years)**

NOTE: This appliance is not to be used by children over the age of 3 unless the controls have been pre-set by a parent or guardian, or unless the child has been adequately instructed on how to operate the controls safely.

NOTE: When using on the Electric Throw some people may experience a tingling sensation whether alone or when touching someone else using the Electric Throw.

This “tingling sensation” is known as an electric field effect and caused by the current flowing through the elements creating an Electromagnetic Field (EMF). Some people may be more sensitive to feeling the EMF tingling sensation than others. It is known to occur across all makes and models.

This is no cause for concern and is not an electric shock.

# Operating Your Electric Fleece Throw

## HEAT CONTROLLER

The control features an on/off switch and two buttons to control the heat settings and the timer.

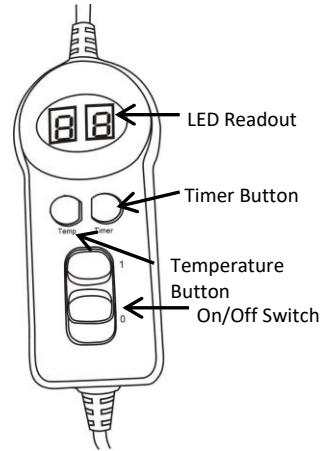
It also has an LED readout for temperature and timer settings.

## OPERATING INSTRUCTIONS

1. Plug into the mains power supply and switch on the power mains.
2. Switch on the Electric Throw with 'On/Off' button. The Throw will come at a default setting of 0 heat and 1 Hour timer.

The LED for timer and temperature will be illuminated.

3. By pressing the Temp button you will be able to adjust the heat settings from 1–9. 1 being lowest and 9 being highest. This will be indicated with the left LED.
4. You can also set the timer to turn the Electric Throw off after a predetermined time being 1-9 hour or 12 hours. By pressing the Timer button you will be able to adjust the number of hours from 1-9 (press once for each hour), pressing one more time will show "H" illuminated on the heat controller which indicates the timer is set to 12 hours. This will be indicated with the right LED.



# Care and Cleaning of your Electric Throw

## STORING YOUR ELECTRIC THROW

Always allow the electric throw to cool before folding and storing.

When not in use, roll or fold it loosely and store in a blanket bag or the bag it was supplied in.

Avoid creating sharp creases in the electric throw; for example do not store it under other items that may result in bending the element wires of the electric throw.

## CARE & CLEANING OF YOUR ELECTRIC THROW

Taking care of your Electric Throw is easy and safe provided you follow the steps outlined below:



**DO NOT DRY CLEAN**



**DO NOT IRON**



**DO NOT BLEACH**

**DO NOT use a wringer.**

**DO NOT turn on the Electric Throw until it is completely dry.**

**DO NOT use mothballs or sprays of any kind.**

## SPOT CLEANING

**Unplug and remove the controls to the Electric Throw.**

Wet sponge the affected area using a mild soap and lukewarm water solution. Ensure the water temperature is less than 30°C.

Gently sponge the affected area with clean water.

Use a neutral coloured towel to absorb excess water.

# Care and Cleaning of your Goldair Electric Throw

## HAND WASHING

For throws with fixed controllers, the controller or switch must not be allowed to get wet during washing.

Fold and presoak the Electric Throw for 15 minutes in a mild soap and lukewarm water solution.

Ensure the water temperature is less than 30°C.

Gently squeeze the soap suds through for a few minutes.

Rinse in fresh lukewarm water.



## AIR DRYING

Gently stretch the Electric Throw to its original size.

Air dry over a clothes line or shower rod.

## DO NOT use clothes pegs or clips of any kind.

For throws with fixed controllers, ensure the cord is positioned so that water cannot flow into the controller or switch.

## DO NOT use the Electric Throw until it is completely dry.

### MACHINE WASHING (THROWS WITH DETACHABLE CONTROLLERS ONLY)

Unplug and remove the Electric Throw controls.

Fold and presoak the Electric Throw for 15 minutes in a mild soap and lukewarm water solution. Ensure the water temperature is less than 30°C.

Wash in mild soap and lukewarm water on the delicate or gentle cycle for 2 minutes.

Rinse in fresh lukewarm water.



### MACHINE DRY (THROWS WITH DETACHABLE CONTROLLERS ONLY)

Place the throw into the dryer and tumble dry on low setting until damp. Approx 30 minutes.

Remove the throw while it is still damp and gently stretch to its original size.

Continue to air dry over a clothes line or shower rod. (DO NOT use clothes pegs or clips of any kind).



## DO NOT USE IF DAMP OR WET

### PROOF OF PURCHASE

To receive warranty retain receipt as proof of purchase.

### TECHNICAL SPECIFICATION

Models: GSETH140

Supply: 220-240VAC 50Hz

Wattage: 100W

### SUPPORT AND TECHNICAL ADVICE

# Goldair™

**Goldair – New Zealand**  
Monday – Friday 8am-5pm  
Phone +64 (0)9 917 4000  
Phone 0800 232 633  
info@cdb.co.nz

**Goldair – Australia**  
Monday – Friday 8am-5pm  
Phone +61 (0)3 9365 5100  
Phone 1300 465 324  
info@cdbgoldair.com.au



## Two Year Warranty

Thank you for purchasing this Goldair product. Your product is warranted against faults and manufacture when used in normal domestic use for a period of **two years**. In non-domestic use Goldair limits the voluntary warranty to **three months**.

Goldair undertake to repair or replace this product at no charge if found to be defective due to a manufacturing fault during the warranty period.

This warranty excludes damage caused by misuse, neglect, shipping accident, incorrect installation, or work carried out by anyone other than a qualified electrical service technician.

PLEASE KEEP YOUR RECEIPT AS THIS WILL HELP VERIFY YOUR WARRANTY.

The benefits given to you by this warranty are in addition to other rights and remedies available to you under law in relation to the goods or services to which this warranty relates.

In Australia, our goods come with guarantees that cannot be excluded under the Australian Consumer Law. You are entitled to a replacement or refund for a major failure and compensation for any other reasonably foreseeable loss or damage. You are also entitled to have the goods repaired or replaced if the goods fail to be of acceptable quality and the failure does not amount to a major failure.

In New Zealand this warranty is additional to the conditions and guarantees of the Consumers Guarantee Act (1993).

### Goldair – New Zealand

CDB Goldair  
PO Box 100-707  
N.S.M.C  
Auckland

Phone +64 (0)9 917 4000  
Phone 0800 232 633  
[www.goldair.co.nz](http://www.goldair.co.nz)

### Goldair – Australia

CDB Goldair Australia Pty  
PO Box 574  
South Morang  
Victoria, 3752

Phone +61 (0)3 9365 5100  
Phone 1300 GOLDAIR (1300 465 324)  
[www.goldair.com.au](http://www.goldair.com.au)

### Goldair Two Year Warranty (IMPORTANT: Please complete and retain this warranty card)

Name \_\_\_\_\_

Address \_\_\_\_\_  
\_\_\_\_\_  
\_\_\_\_\_

Place Of Purchase \_\_\_\_\_ Date Of Purchase \_\_\_\_\_

Name Of Product \_\_\_\_\_ Model Number \_\_\_\_\_

Attach a copy of the purchase receipt to this warranty card



This page has been intentionally left blank.

This page has been intentionally left blank.

# Goldair™

select



**CDB**  **Goldair™**

New Zealand  
PO Box 100707,  
North Shore Mail Centre,  
Auckland, 0745  
[www.goldair.co.nz](http://www.goldair.co.nz)

Australia  
PO Box 574,  
South Morang,  
Victoria, 3752  
[www.goldair.com.au](http://www.goldair.com.au)