

Save This Manual  
For Future Reference

# SEARS

owner's  
manual

Model No.  
**113.299315**

Saw with Legs  
Two Table Extensions  
Motor  
Quick Release  
Rip Fence and  
Miter Gauge

---

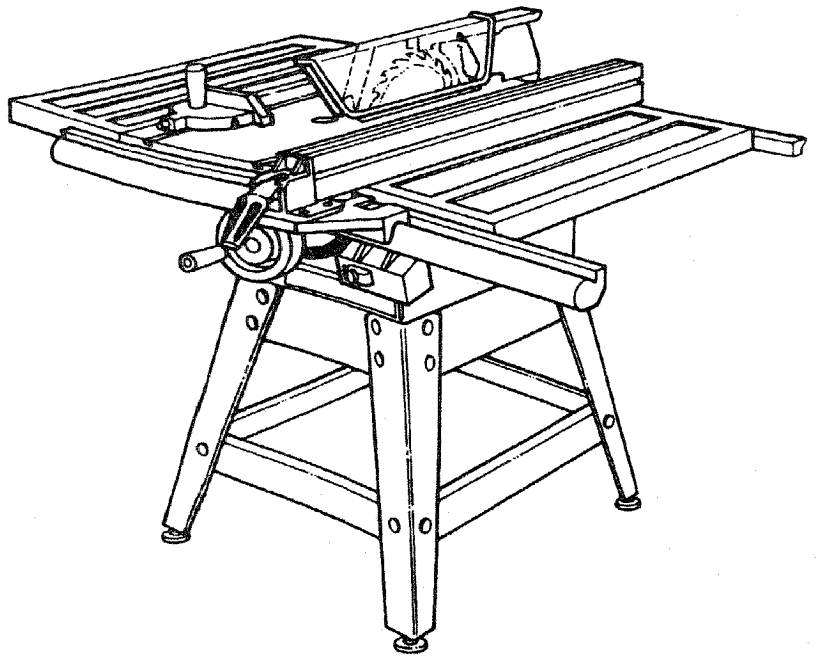
Serial  
Number \_\_\_\_\_

Model and serial numbers  
may be found on the left rear  
side of the base.

You should record both model  
and serial number in a safe  
place for future use.

---

**FOR YOUR  
SAFETY**  
**READ ALL  
INSTRUCTIONS  
CAREFULLY**



# CRAFTSMAN®

## 10 INCH BELT DRIVE TABLE SAW

- assembly
- operating
- repair parts

Sears, Roebuck and Co., Hoffman Estates, IL. 60179 U.S.A.

Part No. SP5908

Printed in U.S.A.

## FULL ONE YEAR WARRANTY ON CRAFTSMAN STATIONARY TOOL

If this stationary tool fails due to a defect in material or workmanship within one year from the date of purchase, CONTACT THE NEAREST SEARS SERVICE CENTER IN THE UNITED STATES and Sears will repair it free of charge.

This warranty applies only while this product is in the United States.

If this Table Saw is used for commercial or rental purposes, this warranty will apply for ninety days from the date of purchase.

This warranty gives you specific legal rights, and you may also have other rights which vary from state to state.

Sears, Roebuck and Co., D/817 WA Hoffman Estates, IL. 60179

## Safety Instructions For Table Saw

Safety is a combination of common sense, staying alert and knowing how your table saw works. Read this manual to understand this table saw.

### Safety Signal Words

**DANGER:** means if the safety information is not followed someone **will** be seriously injured or killed.

**WARNING:** means if the safety information is not followed someone **could** be seriously injured or killed.

**CAUTION:** means if the safety information is not followed someone **may** be injured.

### Before Using The Saw

**WARNING:** to avoid mistakes that could cause serious, permanent injury, do not plug the table saw in until the following steps have been satisfactorily completed.

- Completely assemble and align saw (See "Assembly" section).
- Learn the use and function of the ON-OFF switch blade guard, spreader, anti-kickback device, miter gauge, rip fence, table insert, blade elevation and blade tilt controls (See "Getting to Know Your Table Saw" section).
- Review and understand all safety instructions and operating procedures in this manual.

- Review the maintenance methods for this saw (See "Maintaining Your Table Saw" section).
- Find and read all the warning labels found on the saw (shown below).

### WARNING

Debris on fence rail can misalign the fence. Workpiece could bind or suddenly kick back. You could be hit or cut. Clean debris off fence rail before positioning fence.



E23417

### WARNING

1. Read manual before using saw.
2. Wear safety goggles that meet ANSI Z87.1 Standards.
3. Do not reach around or over saw blade.
4. Keep blade guard down and in place for through cuts.
5. Do not do freehand cuts.
6. Keep hands out of path of saw blade.
7. When ripping, use push stick when fence is set 2 inches or more from blade.
8. Know how to reduce the risk of kickback. See instructions for ripping.
9. When ripping, use push block and auxiliary fence when fence is set between 1/2 and 2 inches from blade. Do not make rip cuts narrower than 1/2 inch.
10. Turn power off and wait for blade to stop before adjusting or servicing.

### WARNING

WHEN MOUNTING AN AUXILIARY FENCE FACE, POSITION MOUNTING HARDWARE BEYOND ARROWS AT RIGHT AND LEFT AS INDICATED. KEEP FASTENERS AWAY FROM BLADE

### When Installing Or Moving The Saw

#### Avoid Dangerous Environment.

- Use the saw in a dry, indoor place protected from rain.
- Keep work area well lighted.
- Use recommended accessories. Consult the owner's manual for recommended accessories. The use of

improper accessories may cause risk of injury to persons.

#### To avoid injury from unexpected saw movement.

- Bolt or clamp the saw to firm level surface where there is plenty of room to handle and properly support the workpiece (See "Assembly-Mounting Your Saw" section).

- Support the saw so the table is level and the saw does not rock.
- When using a table extension longer than 12" attached to any side of the saw, bolt the saw to a stationary surface or prop up the outer end of the extension from the floor or bench top to keep the saw from tipping.
- Put the saw where neither operator nor bystanders must stand in line with the sawblade.
- To avoid injury from electrical shock, make sure your fingers do not touch the plug's metal prongs when plugging in or unplugging the saw.
- **Never Stand On Tool.** Serious injury could occur if the tool tips or you accidentally hit the cutting tool. Do not store anything above or near the tool where anyone might stand on the tool to reach them.

## Before Each Use

### Inspect your saw.

- To avoid injury from accidental starting, turn the switch off, unplug the saw, and remove the switch key before raising or removing the guard, changing the cutting tool, changing the setup, or adjusting anything. Make sure switch is in OFF position before plugging in.
- Check for alignment of moving parts, binding of moving parts, breakage of parts, saw stability, and any other conditions that may affect the way the saw works.
- If any part is missing, bent or broken in any way, or any electrical part does not work properly, turn the saw off and unplug the saw.

- Replace damaged or missing parts before using the saw again.
- Use the sawblade guard, spreader and anti-kickback pawls for any thru-sawing (whenever the blade comes through the top of the workpiece). Make sure the anti-kickback pawls work properly. Make sure the spreader is in line with sawblade (See "Assembly-Aligning Blade Guard" section).
- Remove adjusting keys and wrenches. Form a habit of checking for and removing keys and adjusting wrenches from table top before turning saw on.
- Make sure all clamps and locks are tight and no parts have excessive play.

## To Avoid Injury From Jams, Slips Or Thrown Pieces (Kickbacks Or Throwbacks)

### Inspect Your Blade.

- Choose the right blade or cutting accessory for the material and the type of cutting you plan to do.
- Use The Right Tool. Don't force tool or attachment to do a job it was not designed for.
- Never use grinding wheels, abrasive cutoff wheels, friction wheels (metal cutting blades) wire wheels or buffing wheels. They can fly apart explosively.
- Cut only wood, wood like or plastic materials. Do not cut metal.
- Choose and inspect your cutting tool carefully:
  - To avoid cutting tool failure and thrown shrapnel (broken pieces of blade), use only 10" or smaller blades or other cutting tools marked for speeds of 5000 rpm or higher.
  - Always use unbroken, balanced blades designed to fit this saw's 5/8 inch arbor.
  - When thru-sawing (making cuts where the blade comes through the workpiece top), always use a 10 inch diameter blade. This keeps the spreader closest to the blade.
  - Do not over tighten arbor nut. Use arbor wrenches to "snug" it securely.
  - Use only sharp blades with properly set teeth. Consult a professional blade sharpener when in doubt.
  - Keep blades clean of gum and resin.
  - Never use the saw without the proper blade insert.

- To avoid burns or other fire damage, never use the saw near flammable liquids, vapors or gases.
- To avoid injury, don't do layout, assembly, or setup work on the table while blade is spinning. It could cut or throw anything hitting the blade.

### Plan your work

- Use the right tool. Don't force tool or attachment to do a job it was not designed for.

### Inspect your workpiece.

- Make sure there are no nails or foreign objects in the part of the workpiece to be cut.
- When cutting irregularly shaped workpieces, plan your work so it will not slip and pinch the blade:
- A piece of molding for example, must lie flat or be held by a fixture or jig that will not let it twist, rock or slip while being cut. Use jigs or fixtures where needed to prevent workpiece from shifting.
- Use a different, better suited type of tool for work that can't be made stable.

### Plan your cut.

- To avoid kickbacks and throwbacks - when a part or all of the workpiece binds on the blade and is thrown violently back toward the front of the saw:
  - Never cut **Freehand**. Always use either a rip fence, miter gauge or fixture to position and guide the work, so it won't twist or bind on the blade and kick back.
  - Make sure there's no debris between the workpiece and its supports.
- Use extra caution with large, very small or awkward workpieces.

### Inspect your work area.

- Keep work area clean.
- Cluttered areas and benches invite accidents. Floor must not be slippery from wax or sawdust.

## Safety Instructions For Table Saws (continued)

- Use extra supports (tables, saw horses, blocks, etc.) for any workpieces large enough to tip when not held down to the table top. Never use another person as a substitute for a table extension, or as additional support for a workpiece that is longer or wider than the basic saw table, or to help feed, support or pull the workpiece.
- Never confine the piece being cut off, that is, the piece not against the rip fence, miter gauge or fixture. Never

hold it, clamp it, touch it, or use length stops against it. It must be free to move. If confined, it could get wedged against the blade and cause a kickback or throwback.

- Never cut more than one workpiece at a time.
- Never turn your table saw "ON" before clearing everything except the workpiece and related support devices off the table.

### Plan Ahead To Protect Your Eyes, Hands, Face and Ears

#### Dress for safety

- Do not wear loose clothing, gloves, neckties or jewelry (rings, wrist watches). They can get caught and draw you into moving parts.
- Wear nonslip footwear.
- Tie back long hair.
- Roll long sleeves above the elbow.
- Noise levels vary widely. To avoid possible hearing damage, wear ear plugs or muffs when using table saw for hours at a time.
- Any power saw can throw foreign objects into the eyes. This can result in permanent eye damage. Wear safety goggles (not glasses) that comply with ANSI Z87.1 (shown on package). Everyday eyeglasses have only impact resistant lenses. They are not safety goggles. Safety goggles are available at Sears retail stores. Glasses or goggles not in compliance with ANSI Z87.1 could seriously hurt you when they break.



- For dusty operations, wear a dust mask along with safety goggles.

### Whenever Sawblade Is Spinning

**WARNING: Don't allow familiarity (gained from frequent use of your table saw) to cause a careless mistake. Always remember that a careless fraction of a second is enough to cause a severe injury.**

- Before actually cutting with the saw, watch it while it runs for a short while. If it makes an unfamiliar noise or vibrates a lot, stop immediately. Turn the saw off. Unplug the saw. Do not restart until finding and correcting the problem.
- Make sure the top of the arbor or cutting tool turns toward the front of the saw.

#### Keep Children Away.

- Keep all visitors a safe distance from the table saw.
- Make sure bystanders are clear of the table saw and workpiece.

#### Plan the way you will push the workpiece through.

- **Never pull the workpiece through.** Start and finish the cut from the front of the table saw.
- **Never put your fingers or hands in the path** of the sawblade or other cutting tool.
- **Never reach in back** of the cutting tool with either hand to hold down workpiece, support the workpiece, remove wood scraps, or for any other reason.
- Avoid hand positions where a sudden slip could cause fingers or hand to move into a sawblade or other cutting tool.
- Don't overreach. Always keep good footing and balance.
- Push the workpiece against the rotation of the blade, never feed material into the cutting tool from the rear of the saw.
- Always push the workpiece all the way past the sawblade.
- As much as possible, keep your face and body to one side of the sawblade, out of line with a possible kickback or throwback.
- Set the cutting tool as low as possible for the cut you're planning.

#### Avoid Accidental Starting.

- Make sure switch is "OFF" before plugging saw into a power outlet.

#### Don't Force Tool.

- Let the blade reach full speed before cutting.
- It will do the job better and safer at its designed rate.
- Feed the workpiece into the saw only fast enough to let the blade cut without bogging down or binding.

#### Before freeing jammed material.

- Turn switch "OFF".
- Wait for all moving parts to stop.
- Unplug the saw.
- Check blade, spreader and fence for proper alignment before starting again.

#### To avoid throwback of cut off pieces.

- Use the guard assembly.

To remove loose pieces beneath or trapped inside the guard.

- Turn saw "OFF".
- Remove switch key.
- Wait for blade to stop before lifting the guard.

**Before Leaving The Saw.**

- Turn the saw off.
- Wait for blade to stop spinning.
- Unplug the saw.
- Make workshop child-proof. Lock the shop. Disconnect master switches. Remove the yellow switch key. Store it away from children and others not qualified to use the tool.

## Additional Safety Instructions

### Rip Type Cuts.

- Never use the miter gauge when ripping.
- Use a push stick whenever the fence is 2 or more inches from the blade.
- When thru-sawing, use an auxiliary fence and push block whenever the fence must be between 1/2 and 2 inches of the blade.
- Never thru-saw rip cuts narrower than 1/2 inch. (See "Basic Saw Operations-Ripping and Bevel Ripping" sections.)
- Never rip anything shorter than 10" long.
- When using a push stick or push block, the trailing end of the board must be square. A push stick or block against an uneven end could slip off or push the work away from the fence.
- A Featherboard can help guide the workpiece. (see "Basic Saw Operation-Using Featherboards for Thru-Sawing." section)
- Always use featherboards for any non thru rip type cuts. (See "Basic Saw Operations - Using Featherboards for Non-Thru Sawing" section.

### Before Starting.

- To avoid kickbacks and slips into the blade, make sure the rip fence is parallel to the sawblade.
- Before thru-sawing, check the anti-kickback pawls. The pawls must stop a kickback once it has started. Replace or sharpen anti-kickback pawls when points become dull. (See "Maintaining Your Table Saw - Anti-Kickback Pawls" section.)
- Plastic and composition (like hardboard) materials may be cut on your saw. However, since these are usually quite hard and slippery, the anti-kickback pawls may not stop a kickback. Therefore, be especially careful in your setup and cutting procedures.

### While Thru-sawing.

- To avoid kickbacks and slips into the blade, always push forward on the section of the workpiece between the sawblade and the rip fence. Never push forward on the piece being cut off.



Featherboard

See "Work Feed Devices" section for Material and Dimensions

### Crosscut Type Cuts.

- Never use the rip fence when crosscutting.
- An auxiliary wood facing attached to the miter gauge can help prevent workpiece twisting and throwbacks. Attach it to the slots provided. Make the facing long enough and big enough to support your work. Make sure, however, it will not interfere with the sawblade guard.

### Before Starting.

- Use jigs or fixtures to help hold any piece too small to extend across the full length of the miter gauge face during the cut. This lets you properly hold the miter gauge and workpiece and helps keep your hands away from the blade.

### While Cutting

- To avoid blade contact, always hold the miter gauge as shown in "Basic Saw Operations - Using The Miter Gauge".

# Glossary of Terms for Woodworking

## Anti-Kickback Pawls

Device which, when properly maintained, is designed to stop the workpiece from being thrown towards the front of the saw at the operator during ripping operation.

## Arbor

The shaft on which a cutting tool is mounted.

## Bevel Cut

An angle cutting operation made through the face of the workpiece.

## Compound Cut

A simultaneous bevel and miter crosscutting operation.

## Crosscut

A cutting operation made across the width of the workpiece.

## Dado

A non thru cut which produces a square sided notch or trough in the workpiece.

## Featherboard

A device which can help guide workpieces during rip type operation.

## Freehand

Performing a cut without the use of fence (guide), miter gauge, fixture, hold down or other proper device to prevent the workpiece from twisting during the cutting operation. Twisting of the workpiece can cause it to be thrown.

## Gum

A sticky, sap based residue from wood products.

## Heel

Misalignment of the sawblade such that the blade is not parallel to the miter gauge groove.

## Kerf

The amount of material removed by the blade in a through cut or the slot produced by the blade in a non-through or partial cut.

## Kickback

An uncontrolled grabbing and throwing of the workpiece back toward the front of the saw.

## Leading End

The end of the workpiece which, during a rip type operation, is pushed into the cutting tool first.

## Miter Cut

An angle cutting operation made across the width of the workpiece.

## Molding

A non through cut which produces a special shape in the workpiece used for joining or decoration.

## Ploughing

Grooving with the grain the length of the workpiece, using the fence. (A type of non-through cut)

## Push Stick

A device used to feed the workpiece through the saw during narrow ripping type operations which helps keep the operator's hands well away from the blade.

## Push Block

A device used for ripping type operations too narrow to allow use of a push stick.

## Rabbet

A notch in the edge of a workpiece. (A type of non-through cut)

## Resin

A sticky, sap based substance that has hardened.

## Revolutions Per Minute (RPM)

The number of turns completed by a spinning object in one minute.

## Rip Cut

A cutting operation along the length of the workpiece.

## Sawblade Path

The area of the workpiece or table top directly in line with either the travel of the blade or the part of the workpiece which will be, or has been, cut by the blade.

## Set

The distance that the tip of the sawblade tooth is bent (or set) outward from the face of the blade.

## Throw-Back

Throwing of pieces in a manner similar to a kickback.

## Thru-Sawing

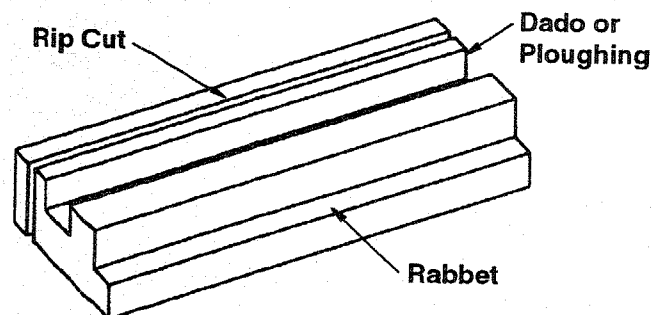
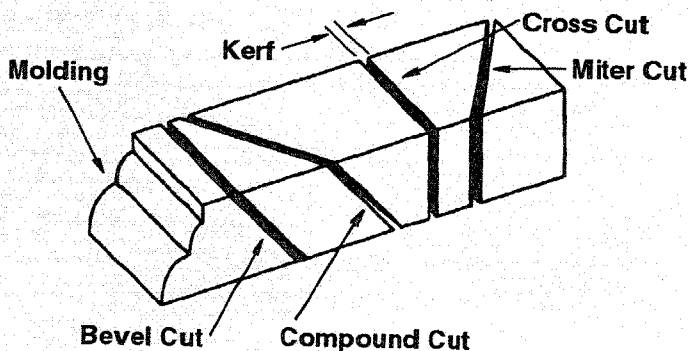
Any cutting operation where the blade extends completely through the thickness of the workpiece.

## Trailing End

The workpiece end last cut by the blade in a ripping operation.

## Workpiece

The item on which the cutting operation is being performed. The surfaces of a workpiece are commonly referred to as faces, ends, and edges.



# Motor Specifications and Electrical Requirements

## Power Supply and Motor Specifications

**WARNING:** To avoid electrical hazards, fire hazards or damage to the tool, use proper circuit protection. Your tool is wired at the factory for operation using the voltage shown. Connect tool to a power line with the appropriate voltage and a 15-amp branch circuit. Use a 15-amp time delay type fuse or circuit breaker. To avoid shock or fire, if power cord is worn or cut, or damaged in any way, have it replaced immediately.

The A-C motor used on this tool is a capacitor start, capacitor run non-reversible type, having the following specifications.

It is wired at the factory for operation on 110-120v AC, 60 Hz. service.

Rated H.P.	1-1/2
Voltage	110-120
Amperes	13
Hertz (Cycles)	60
Phase	Single
RPM	3450
Rotation of Shaft	Clockwise

## General Electrical Connections

**DANGER:** To avoid electrocution:

1. Use only identical replacement parts when servicing. Servicing should be performed by a qualified service technician.
2. Do not use in rain or where floor is wet. This tool is intended for indoor residential use only.

**WARNING:** Do not permit fingers to touch the terminals of plug when installing or removing the plug to or from the outlet.

## 110-120 Volt, 60 Hz. Tool Information

**NOTE:** The plug supplied on your tool may not fit into the outlet you are planning to use. Your local electrical code may require slightly different power cord plug connections. If these differences exist refer to and make the proper adjustments per your local code before your tool is plugged in and turned on.

In the event of a malfunction or breakdown, grounding provides a path of least resistance for electric current to reduce the risk of electric shock. This tool is equipped with an electric cord having an equipment-grounding conductor and a grounding plug, as shown. The plug must be plugged into a matching outlet that is properly installed and grounded in accordance with all local codes and ordinances.

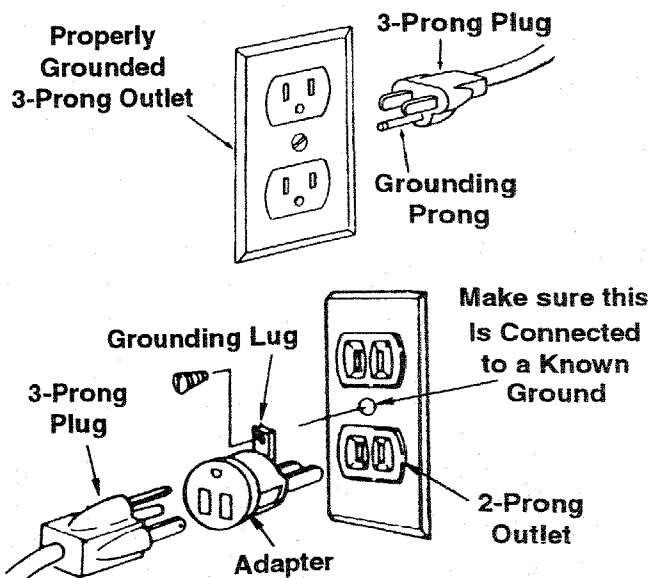
Do not modify the plug provided. If it will not fit the outlet, have the proper outlet installed by a qualified electrician.

A temporary adapter may be used to connect this plug to a 2-prong outlet as shown if a properly grounded three prong outlet is not available. This temporary adapter should be used only until a properly grounded three prong outlet can be installed by a qualified electrician. The green colored rigid ear, lug or the like, extending from the adapter must be connected to a permanent ground such as a properly grounded outlet box.

Improper connection of the equipment-grounding conductor can result in a risk of electric shock. The conductor with insulation having an outer surface that is green with or without yellow stripes is the equipment-grounding conductor. If repair or replacement of the electric cord or plug is necessary, do not connect the equipment-grounding conductor to a live terminal.

If the grounding instructions are not completely understood, or if you are in doubt as to whether the tool is properly grounded check with a qualified electrician or service personnel.

**WARNING:** If not properly grounded, this tool can cause an electrical shock, particularly when used in damp locations, in proximity to plumbing, or out of doors. If an electrical shock occurs there is the potential of a secondary hazard, such as your hands contacting the sawblade.

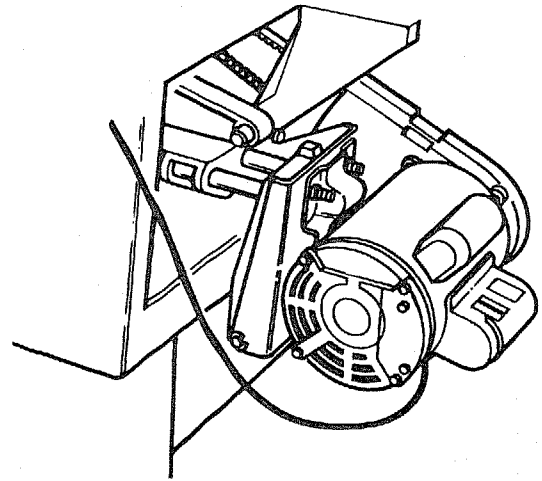


**NOTE:** The adapter illustrated is for use only if you already have a properly grounded 2-prong outlet.

# Motor Specifications and Electrical Requirements (continued)

**CAUTION:** To avoid motor damage, this motor should be blown out or vacuumed frequently to prevent sawdust buildup which will interfere with normal motor ventilation.

1. Frequent "blowing" of fuses or tripping of circuit breakers may result if:
  - a. Motor is overloaded - Overloading can occur if you feed too rapidly or if saw is misaligned.
  - b. Motor circuit is fused differently from recommendations - Always follow instructions for the proper fuse/breaker. Do not use a fuse/breaker of greater capacity without consulting a qualified electrician.
  - c. Low voltage - Although the motor is designed for operation on the voltage and frequency specified on motor nameplate, normal loads will be handled safely on voltage not more than 10% above or below the nameplate voltage. Heavy loads, however, require that voltage at motor terminals equals the voltage specified on nameplate.
2. Most motor troubles may be traced to loose or incorrect connections, overloading, reduced input voltage (such as small size wire in the supply circuit) or to overly long supply circuit wire. Always check the connections, the load and the supply circuit whenever motor fails to perform satisfactorily. Check wire sizes and length with the Wire Size Chart below.



## Wire Sizes

**NOTE:** Make sure the proper extension cord is used and is in good condition.

The use of any extension cord will cause some loss of power. To keep this to a minimum and to prevent overheating and motor burn-out, use the table shown to determine the minimum wire size (A.W.G.) extension cord.

Use only 3-wire extension cords which have 3-prong grounding type plugs and 3-prong receptacles which accept the tool's plug.

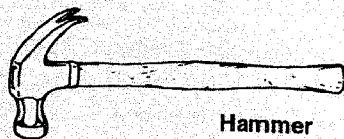
Extension Cord Length	Wire Sizes Required for (A.W.G.)
0-25 Ft.	14
26-50 Ft.	12

# Table of Contents

Section	Page	Section	Page
Warranty .....	2	Safety Instructions for Basic Saw Operations .....	31
Safety Instructions For Table Saw .....	2	Before Each Use .....	31
Safety Signal Words .....	2	To Avoid Injury From Jams, Slips Or Thrown Pieces (Kickbacks Or Throwbacks) .....	31
Before Using The Saw .....	2	Safety Instructions for Basic Saw Operations .....	32
When Installing Or Moving The Saw .....	2	Whenever Sawblade Is Spinning .....	32
Before Each Use .....	3	Work Feed Devices .....	33
To Avoid Injury From Jams, Slips Or Thrown Pieces (Kickbacks Or Throwbacks) .....	3	Push Stick .....	33
Plan Ahead To Protect Your Eyes, Hands, Face and Ears .....	4	Push Block .....	33
Whenever Sawblade Is Spinning .....	4	Auxiliary Fence .....	34
Additional Safety Instructions .....	5	Basic Saw Operations .....	35
Glossary of Terms for Woodworking .....	6	Using the Miter Gauge .....	35
Motor Specifications and Electrical Requirements .....	7	Additional Safety Instructions for Crosscutting .....	35
Power Supply and Motor Specifications .....	7	Crosscutting .....	35
General Electrical Connections .....	7	Basic Saw Operations .....	36
110-120 Volt, 60 Hz. Tool Information .....	7	Repetitive Crosscutting .....	36
Wire Sizes .....	8	Miter Crosscutting .....	37
Table of Contents .....	9	Bevel Crosscutting .....	37
Unpacking and Checking Contents .....	10	Compound Crosscutting .....	37
Tools Needed .....	10	Basic Saw Operations .....	38
Unpacking .....	10	Using the Rip Fence .....	38
List of Loose Parts .....	11	Additional Safety Instructions for Rip Cuts .....	38
Loose Parts .....	11	Ripping .....	38
Assembly .....	12	Bevel Ripping Narrow Work .....	40
Installing Handwheels .....	12	Using Featherboards for Thru-Sawing .....	40
Assembling Steel Legs .....	12	Using Featherboards for Non Thru-Sawing .....	41
Mounting Your Saw .....	13	Resawing .....	41
Assembling Table Extensions .....	14	Dadoing .....	42
Checking Table Insert .....	15	Rabbeting .....	42
Installing Front Rip Fence Guide Bar .....	16	Ploughing and Molding .....	43
Installing Rear Fence Guide Bar .....	17	Molding Cutting .....	43
Adjusting Rip Fence Guide Bars .....	18	Adjustments .....	43
Rip Fence Alignment Adjustment .....	19	Miter Gauge .....	43
Rip Fence Lock Lever Adjustment .....	19	Heeling Adjustment or Parallelism of Sawblade to Miter Gauge Groove .....	44
Mounting Switch and End Caps .....	20	Blade Tilt, or Squareness of Blade to Table .....	45
Installing Guide Bar End Caps .....	20	Tilt Mechanism .....	47
Installing Indicator .....	21	Maintaining Your Table Saw .....	47
Installing Blade Guard .....	22	Maintenance .....	47
Aligning Blade Guard .....	23	Lubrication .....	47
Mounting the Motor .....	24	Sears Recommends the Following Accessories .....	48
Installing Pulley .....	24	Troubleshooting .....	48
Installing Belt .....	25	General .....	48
Installing Belt Guard .....	26	Motor .....	49
Motor Connections .....	27	Repair Parts .....	50
Getting to Know Your Table Saw .....	28	Notes .....	59

# Unpacking and Checking Contents

## Tools Needed



Hammer



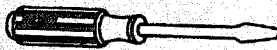
Utility Knife



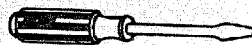
Pliers



Phillips Screwdriver



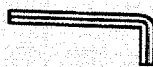
Medium Screwdriver



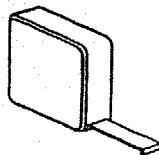
Small Screwdriver



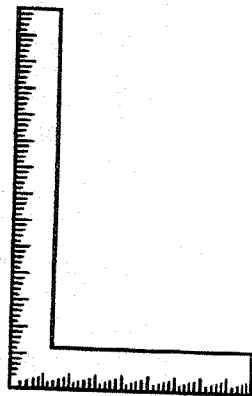
Combination Wrenches  
7/16 In. 1/2 In. 9/16 In.



Hex "L" Wrenches  
3/32 In., 1/8 In., 5/32 In.



Tape Rule

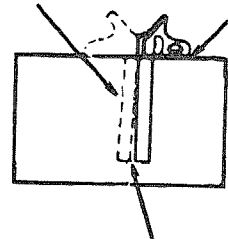


Framing Square

Combination Square must be true. Check its accuracy as shown below.

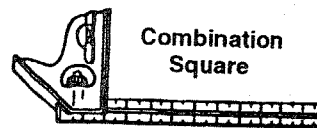
Draw light line on board along edge

Select the straight edge of 3/4" thick board. This edge must be perfectly straight.



NOTE: The square and straight edge are used to align the saw. They must be accurate if the saw is to be aligned properly.

Should be no gap or overlap here when square is flipped over in dotted position.



Combination Square

## Unpacking

1. Separate saw and all parts from packing materials and check each one with the illustration and the "List of Loose Parts" to make certain all items are accounted for, before discarding any packing material.

**WARNING: If any parts are missing, do not attempt to assemble the table saw, plug in the power cord or turn the switch on until the missing parts are obtained and are installed correctly.**

2. Remove the protective oil that is applied to the table top and edges of the table and table extensions. Use any ordinary household type grease and spot remover.

**WARNING: To avoid fire or health hazard, never use gasoline, naphtha, or similar highly volatile solvents.**

**WARNING: The saw is heavy. To avoid back injury, get help to lift the saw. Hold the saw close to your body. Bend your knees so you can lift with your legs, not your back.**

3. Apply coat of paste wax to the table and table extensions.

**WARNING: For your own safety, never connect plug to power source outlet until all assembly steps are complete, and you have read and understand the safety and operating instructions.**

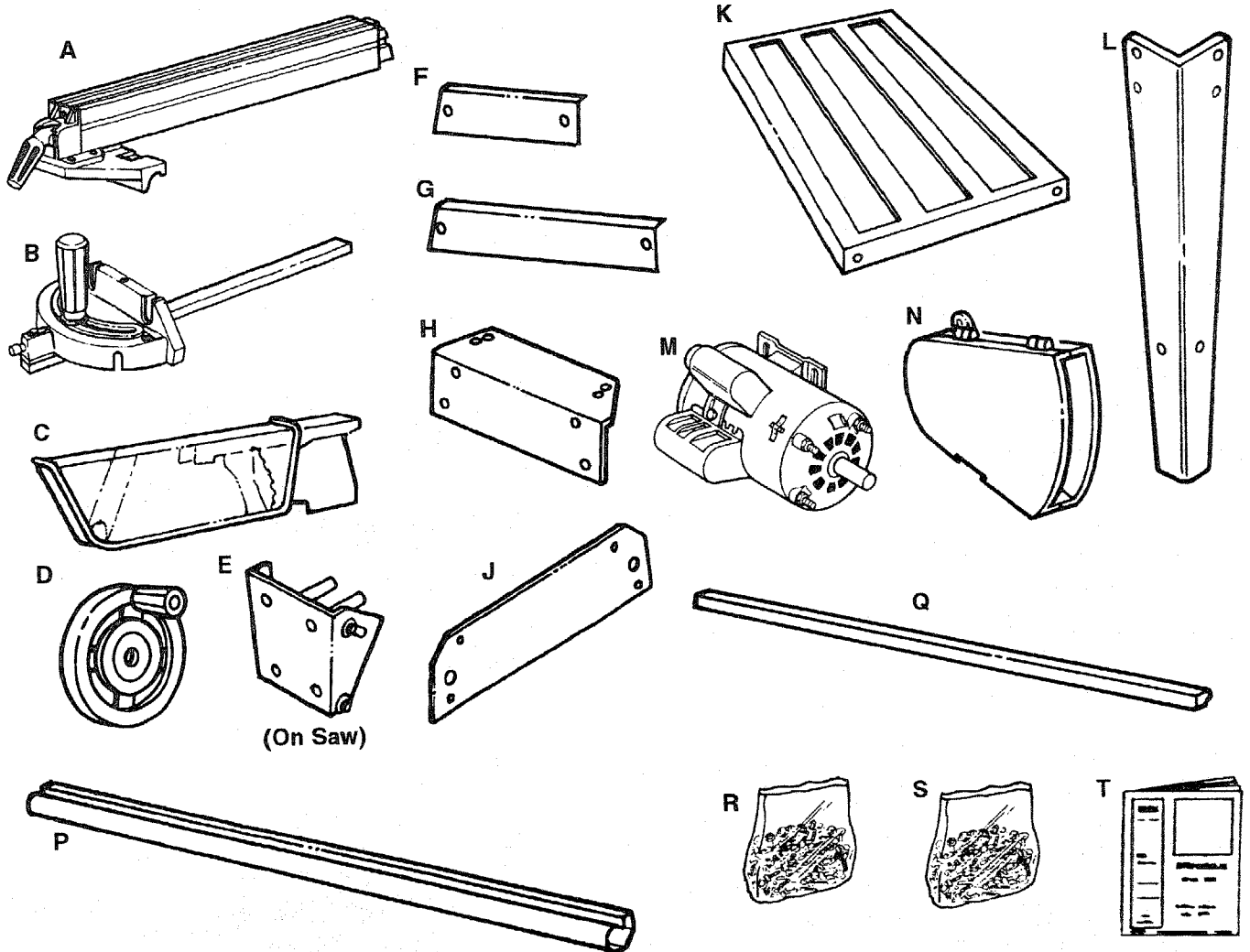
**NOTE:** Before beginning assembly:

- Check that all parts are included. If you are missing any part, do not assemble the saw. Contact your Sears Service Center to get the missing part.
- Sometimes small parts can get lost in packaging material. Do not throw away any packaging until saw is put together. Check packaging for missing parts before contacting Sears.
- A complete parts list (Repair Parts) is at the end of the manual. Use this list to identify the part number of the missing part.

## List of Loose Parts

Item	Part Name	Qty.	Item	Part Name	Qty.
A	Fence Assembly	1	K	Table Extension 12 x 27	2
B	Miter Gauge Assembly	1	L	Leg	4
C	Saw Guard Assembly	1	M	Motor	1
D	Handwheel	2	N	Belt Guard	1
E	Motor Support Assembly (On Saw)	1	P	Front Fence Guide Bar (In Separate Carton)	1
F	Stiffener Leg (Short)	2	Q	Rear Fence Guide Bar (In Separate Carton)	1
G	Stiffener Leg (Long)	2	R	Bag of Loose Parts Labeled "Hardware"	1
H	End Stiffener	2	S	Bag of Loose Parts Labeled "Large Parts"	1
J	Side Stiffener	2	T	Owners Manual	1

## Loose Parts



Open loose parts bag labeled "Hardware". Check to see that the following items are included.

- Bag labeled "Motor•Guard•Base"
- Bag labeled "Legs"
- Bag labeled "Table Extensions"
- Bag labeled "Guide Bars"
- Bag labeled "Miscellaneous"
- End Cap, Front Right
- End Cap, Front Left
- End Cap, Rear Right
- End Cap, Rear Left

# Assembly

## Installing Handwheels

1. From the bag labeled "Miscellaneous" remove only the following hardware:

\*2 Pan Head Screws, 10 - 32 x 5/8" long

\*2 Lockwashers, #10 External Type

From among the loose parts find the following:

2 Handwheels

Items marked with asterisk (\*) are shown actual size.

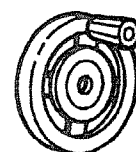
2. Line up **flat spots** on shaft and handwheel, push handwheel onto shaft. Install screw and lockwasher to lock handwheel on shaft. Repeat for the other handwheel.



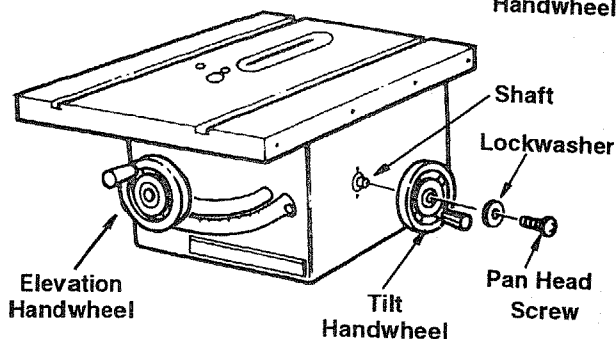
10-32 x 5/8  
Pan Head Screw



#10 External  
Lockwasher



Handwheel



## Assembling Steel Legs

1. From the bag labeled "Legs" remove the following hardware:

\*24 Truss Head Screws, 1/4-20 x 1/2" long

\*24 Lockwashers, 1/4" External Type

\*24 Hex Nuts, 1/4-20

\*8 Hex Nuts, 3/8-16

4 Leveling Feet

From among the loose parts find the following:

4 Legs

2 End Stiffeners

2 Side Stiffeners

4 Leg Stiffeners (Two Short, Two Long)

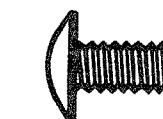
Items marked with asterisk (\*) are shown actual size.

2. Assemble the legs as shown.

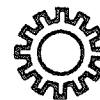
Insert the truss head screws through the holes in the legs, then through the holes in the side and end stiffeners.

Legs must be assembled on top of stiffeners

3. Install the lockwashers. Screw on the nuts hand tight.
4. Insert the truss head screws through the holes in the legs, then through the holes in the leg stiffeners.
5. Install the lockwashers. Screw on the nuts but do not tighten until completely assembled.
6. Install leveling feet. Through holes in bottom of legs as shown:
7. Adjust leveling feet as follows:
  - a. Move saw to desired location.
  - b. With 9/16" wrench loosen bottom nut.
  - c. Back off top nut by hand.
  - d. Raise or lower foot by adjusting bottom nut using 9/16" wrench.
  - e. Snug top nut against inside of leg by hand.
  - f. Tighten all four bottom nuts using 9/16" wrench.



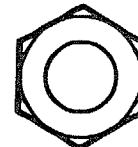
1/4-20 x 1/2 in.  
Truss Head Screw



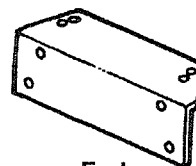
1/4 in. External  
Lockwasher



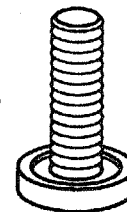
1/4-20  
Hex Nut



3/8-16 Hex Nut



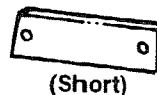
End  
Stiffener



Leveling Foot



Leg

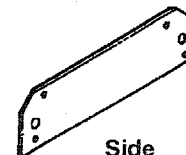


(Short)

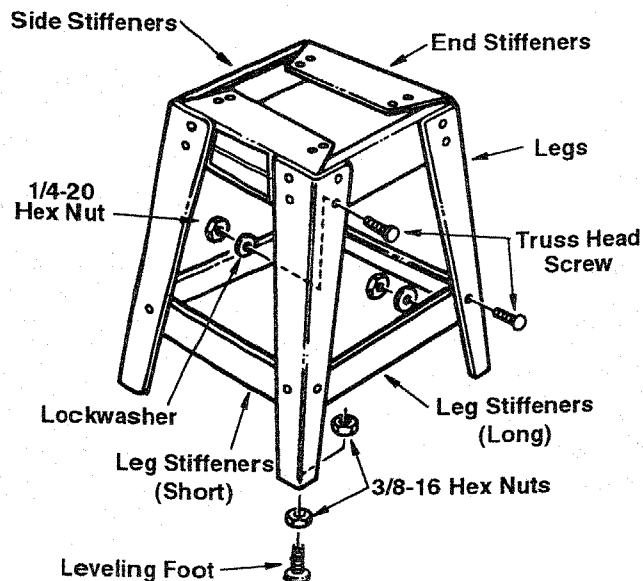


(Long)

Leg Stiffeners



Side  
Stiffener



## Mounting Your Saw

1. From the bag labeled "Motor•Guard•Base" remove only the following hardware:

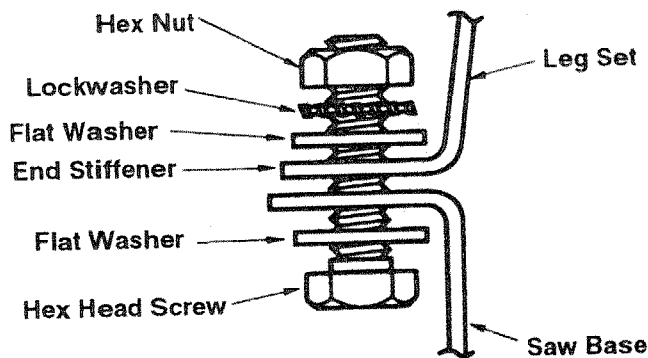
- \*4 Hex Head Screws, 5/16-18 x 1-1/4" Long
- \*4 Hex Nuts, 5/16-18
- \*4 Lockwashers, 5/16" External Type
- \*8 Flat Washers, 11/32 x 11/16 x 1/16

Items marked with asterisk (\*) are shown actual size.

2. Place the saw upside down onto a smooth piece of cardboard or heavy paper, on the floor, so the saw is resting on the table top.

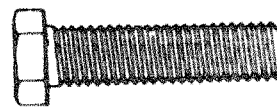
**WARNING: The saw is heavy. To avoid back injury, get help to lift the saw. Hold the saw close to your body. Bend your knees so you can lift with your legs, not your back.**

3. Place legs on saw so that holes in saw base and leg set line up and trim label is facing front.
4. Install screw, washers, lockwasher and nut as shown.
5. Tighten all leg assembly and mounting hardware at this time.



### Bench Mounting

If you do not use the legset and prefer to mount the saw on a bench, make sure that there is an opening in the top of the bench the same size as the opening in the bottom of the saw so that the sawdust can drop through. Recommended working height is 33 to 37 inches from the top of the saw table to the floor.



5/16-18 x 1-1/4 in.  
Hex Head Screw



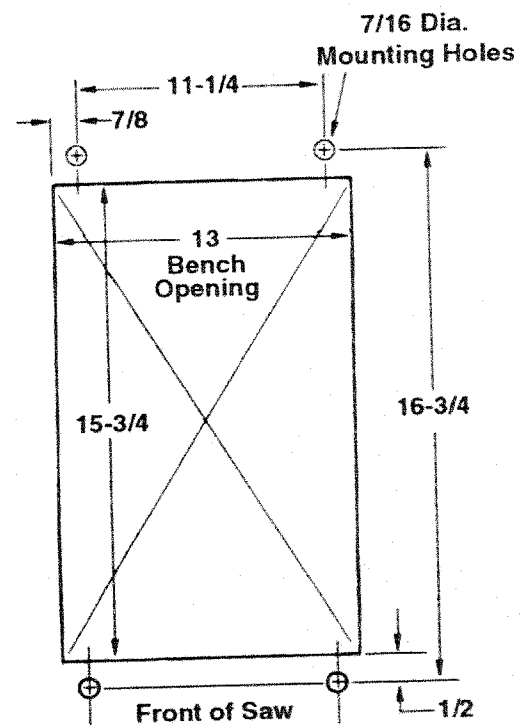
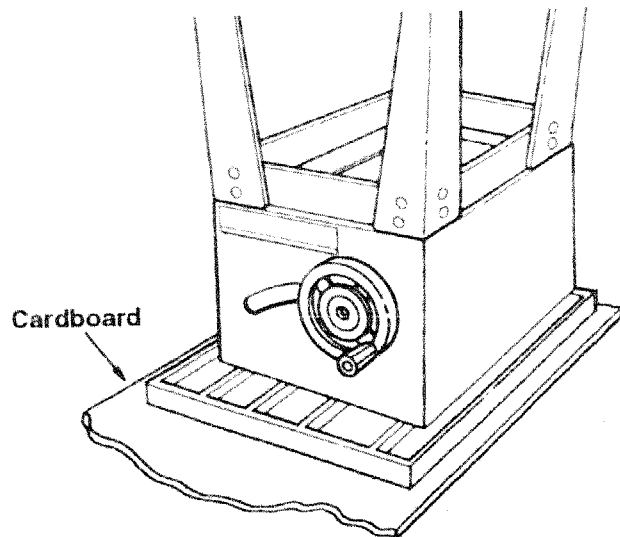
5/16-18  
Hex Nut



5/16 In. External  
Lockwasher



11/32 I.D.  
Flat Washer



NOTE: All dimensions in inches

## Assembly (continued)

### Assembling Table Extensions

1. From the bag labeled "Table Extensions" remove the following hardware: (Quantity indicated is for two extensions)

- \*8 Hex Head Screws, 5/16-18 x 1-1/4" Long
- \*8 Flat Washers, 11/32 x 11/16 x 1/16
- \*8 Lockwashers, 5/16" External Type
- \*8 Hex Nuts, 5/16-18

Items marked with asterisk (\*) are shown actual size.

**NOTE:** Assemble with saw upside down.

**WARNING:** Stock table extensions must be installed. They help support the fence guide bars. An unsupported guide bar can twist. Twisted guide bars can misalign fence. A misaligned fence can cause binding or kickback. You could be hit or cut.

2. Insert four (4) 5/16-18 x 1-1/4 in. long screws through the holes in each extension.
3. Position extension against table so screws extend through hole in table.
4. Install flat washers, lockwasher, and nuts on the screws. With a 1/2" wrench, snug the four nuts just enough to take the play out between the table and extension. **Do not tighten.**
5. Repeat steps 1-4 to install the other extension.
6. Stand saw upright on legs. Roll saw over onto front then up onto feet.

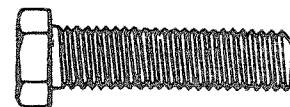
**WARNING:** The saw is heavy. To avoid back injury, get help to lift the saw. Hold the saw close to your body. Bend your knees so you can lift with your legs, not your back.

7. Line up the front edge of extension with the front edge of the table. Pull up on front and rear of sheet metal side extension so it is higher than table. Using a block of wood and hammer as shown, tap the extension down until it is even with table top. Recheck alignment of front edge of table and extension. Tighten front and rear extension mounting nuts only.

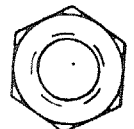
**WARNING:** Table extensions must be installed. Front edge of table and extensions must be lined up. An uneven front edge can twist the fence guide bar. Twisted guide bars can misalign fence. A misaligned fence can cause binding or kickback. You could be hit or cut.

8. Using the block of wood, check to see if center extension is flush with table top. If adjustment is needed, push the table top into alignment and tighten center two mounting nuts.

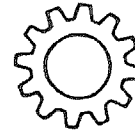
9. Repeat steps 7 and 8 to align the other extension.



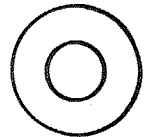
5/16-18 x 1-1/4 In  
Hex Head Screw



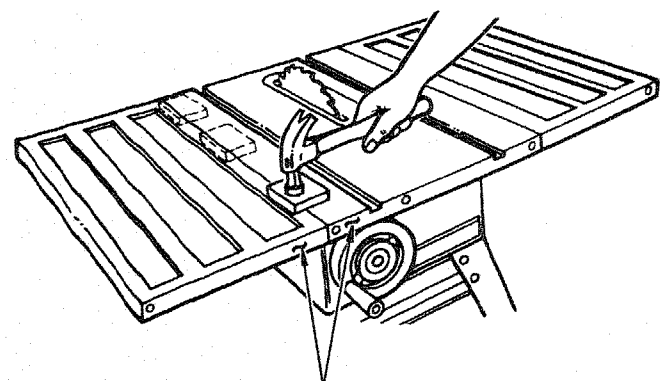
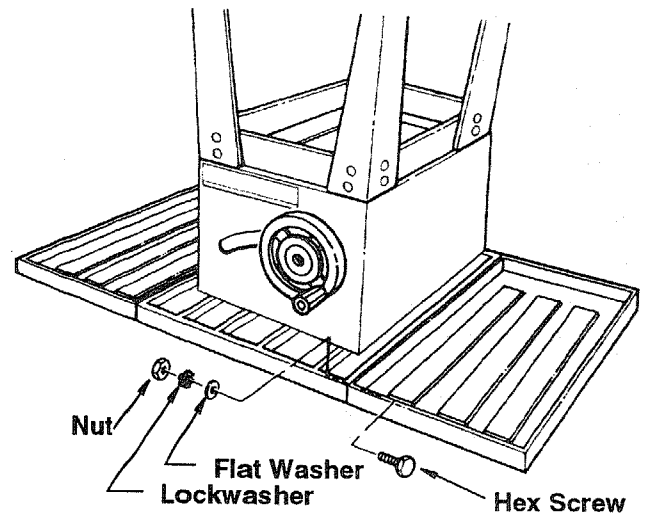
5/16-18  
Hex Nut



5/16 In External  
Lockwasher



11/32 I.D.  
Flat Washer



Line Up Front Of  
Table and Extension

## Checking Table Insert

**WARNING:** To avoid injury from accidental start, make sure switch is "OFF" and plug is not connected to power source outlet.

1. Insert should be flush with table top. Check as shown. Loosen flat head screw that holds insert and adjust the four set screws as necessary. Tighten flat head screw. Do not tighten screw to the point where it bends the insert.

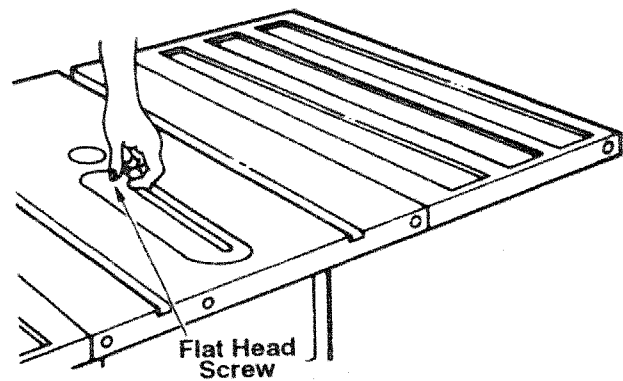
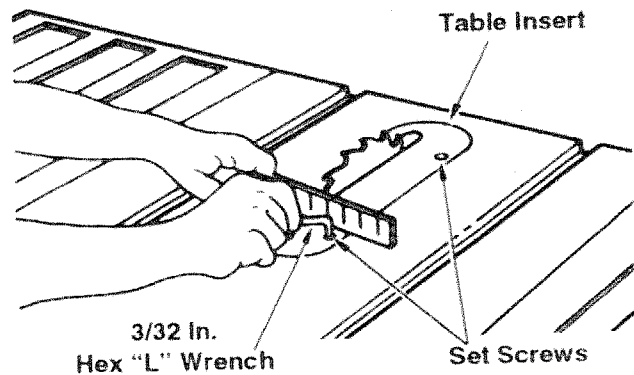
**CAUTION:** Insert must be even with the table surface. Inserts too high or low can let the workpiece "snag" or catch on uneven edges. Workpiece could twist and kickback.

### 2. To remove insert.

- a. Make sure saw is off and unplugged.
- b. Loosen flat head screw.
- c. Lift insert from front end, and pull toward front of saw.

### 3. To replace insert.

- a. Make sure saw is off and unplugged.
- b. Place insert into insert opening in table and push toward rear of saw to engage spring clip and until keyslot in insert will drop over flat head screw. Tighten screw.
- c. Do not tighten screw to the point where it bends the insert.



## Assembly (continued)

### Installing Front Rip Fence Guide Bar

1. From the bag labeled "Guide Bars" remove only the following hardware:

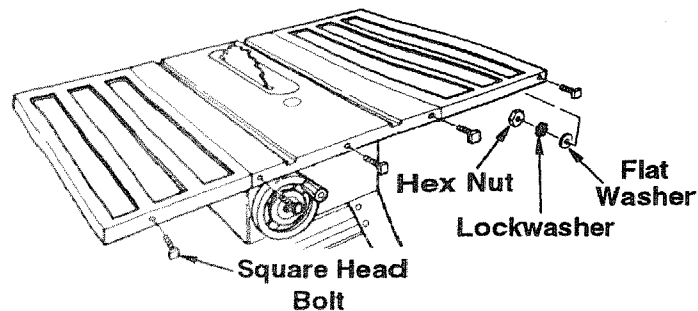
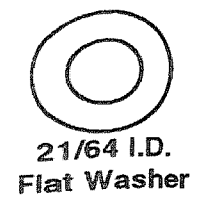
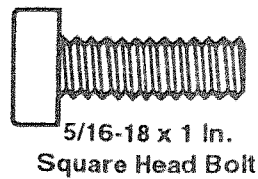
- \*5 Square Head Bolts, 5/16-18 x 1" Long
- \*5 Lockwashers, 5/16 External Type
- \*5 Flat Washers, 21/64 x 5/8 x 1/16
- \*5 Hex Nuts, 5/16-18

From among the loose parts find the following:

- 1 Front Guide Bar (49" long)

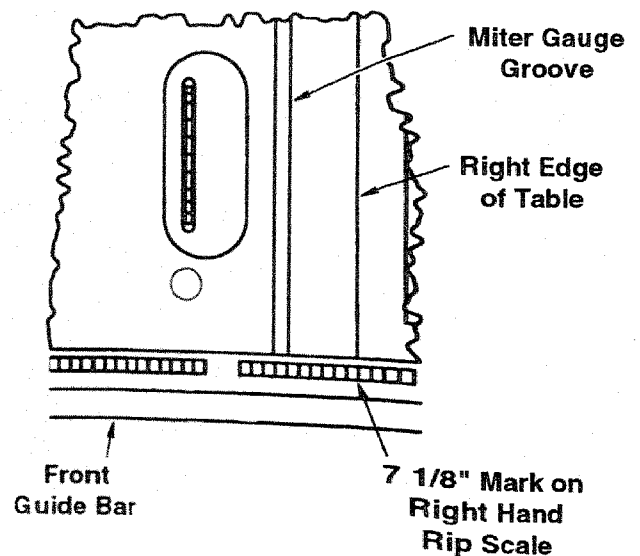
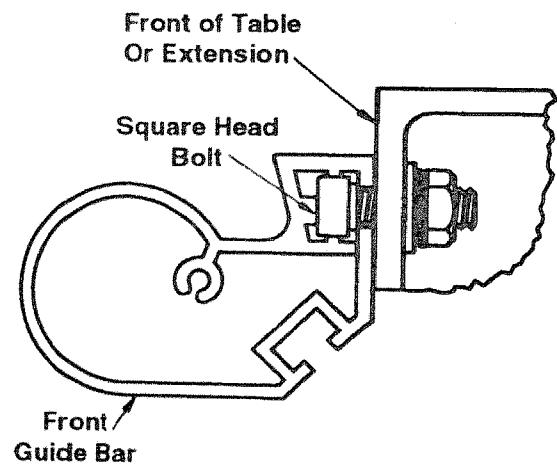
Items marked with an asterisk (\*) are shown actual size.

2. Insert five 5/16-18 x 1" long square head bolts into the holes as shown.
3. Attach flat washer, lockwasher and hex nut loosely, as shown, so the bolt head protrudes through the front edge of the table and extension.



4. Slide the front guide bar slot over each of the square head bolts as shown and finger tighten the five nuts.
5. The front guide bar must be aligned left to right at this time. Align the 7-1/8 inch mark on the right rip scale with the right edge of the cast iron table top.
6. Push front guide bar against the saw table and extensions. Finger tighten each nut on the table and extensions. The guide bars will be aligned and the nuts tightened at a later time.

**WARNING: Front and rear guide bars must be aligned with blade. Misaligned guide bars could twist. Twisted guide bars could misalign fence. A misaligned fence could cause binding or kickback. You could be hit or cut.**



## Installing Rear Fence Guide Bar

1. From the bag labeled "Guide Bars" remove only the following hardware:

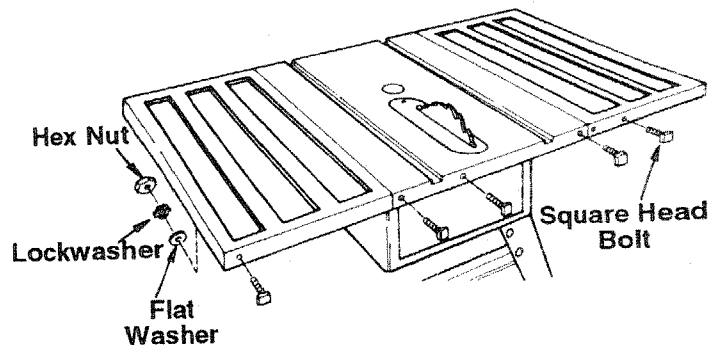
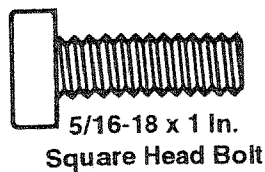
- \*5 Square Head Bolts, 5/16-18 x 1" Long
- \*5 Lockwashers, 5/16 External Type
- \*5 Flat Washers, 21/64 x 5/8 x 1/16
- \*5 Hex Nuts, 5/16-18

From among the loose parts find the following:

- 1 Rear Guide Bar 40-3/4" long

Items marked with an asterisk (\*) are shown actual size.

2. Insert five 5/16-18 x 1" long square head bolts into the holes as shown.
3. Attach flat washer, lockwasher and hex nut loosely, as shown, so the bolt head protrudes through the rear edge of the table and extensions.

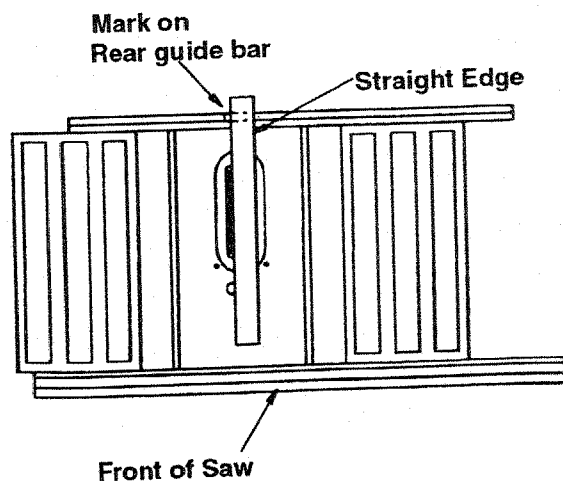
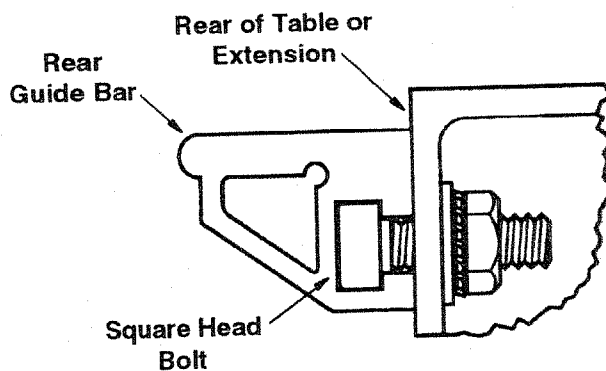


4. Slide the rear guide bar slot over each of the square head bolts, similar to the front guide bar assembly.

5. Center the rear guide bar using a framing square or straight edge positioned against the right side of the blade (looking at front of saw). This should align the mark on the rear guide bar to the same blade side of blade as on front rail.

6. Push rear guide bar against the saw table and extensions. Finger tighten each nut on the table and extensions. The guide bars will be aligned and the nuts tightened at a later time. This procedure will be checked and probably reset during later bar alignments.

7. Shims may be required between the rear guide bar and saw table or extensions. See instructions for adjusting rip fence guide bars.



**WARNING: Front and rear guide bars must be aligned with blade. Misaligned guide bars could twist. Twisted guide bars could misalign fence. A misaligned fence could cause binding or kickback. You could be hit or cut.**

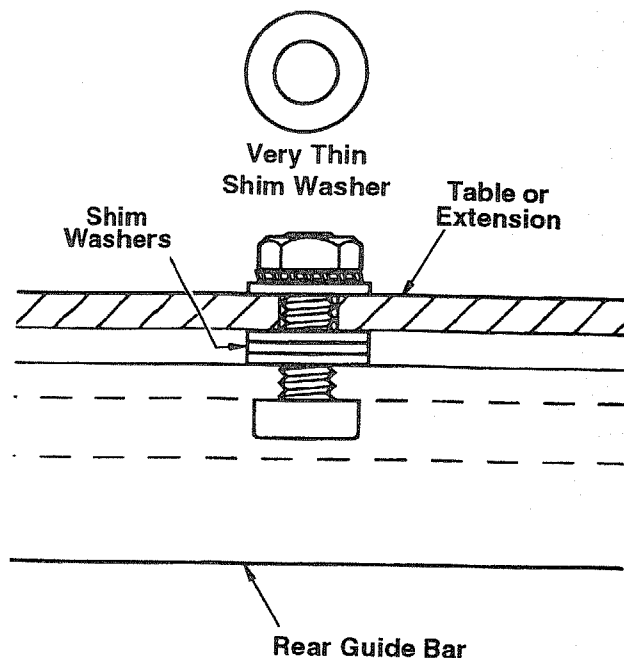
## Assembly (continued)

### Adjusting Rip Fence Guide Bars

**WARNING:** Front and rear guide bars must be aligned with blade. Misaligned guide bars could twist. Twisted guide bars could misalign fence. A misaligned fence could cause binding or kickback. You could be hit or cut.

#### Installing Shims

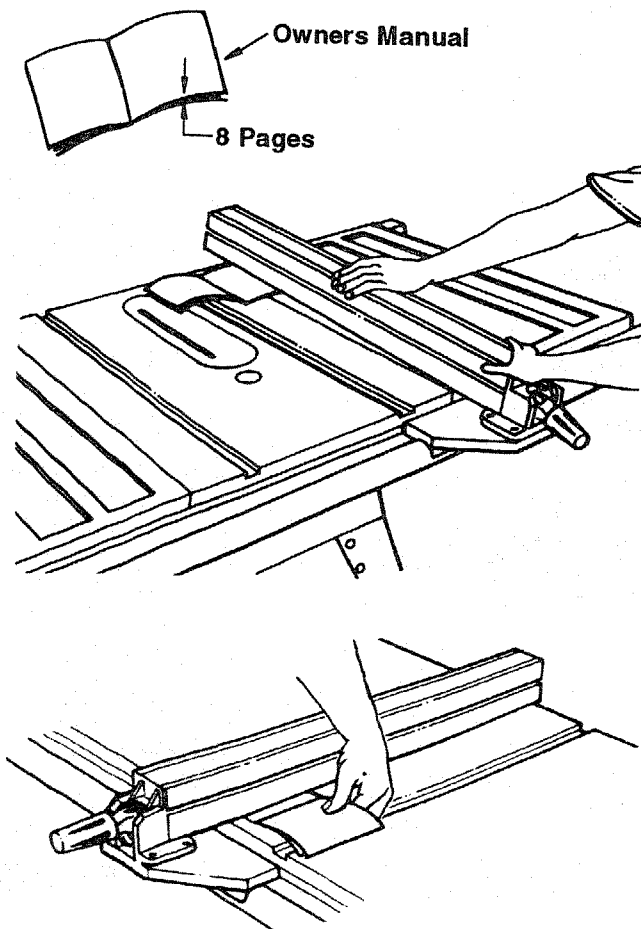
1. From the bag labeled "Guide Bars" remove the following hardware:
  - \*10 Very thin shim washers.
2. Loosen the 5 nuts holding the rear guide bar in place.
3. Holding the guide bar against the rear of saw table and extensions, note if there is any gap between the table or extension and the inside face of the rear guide bar. If no gap exists, finger tighten nuts. If gap appears, slip shim washers into gap until space is full.
4. Stack shim washers on table or extension nearest to bolt that is affected.
5. When all five bolt locations have been checked, slide guide bar off of bolts and install stacks of shim washers between guide bar and table or extension of appropriate bolt(s).
6. Reinstall rear guide bar and realign the "mark" on rear guide bar as described earlier. Finger tighten nuts.



#### Aligning Rip Fence Guide Bars

1. Position rip fence over right miter gauge groove. While holding up rear of rip fence engage front end of rip fence onto the front guide bar. Now lower rip fence down onto table.
2. Open owners manual so that 8 pages are separated from the rest of the book. Use these pages like a feeler gauge to set the spacing between the bottom of the fence and the table top.
3. Rip fence should clear saw table/extension surface just enough to allow eight pages to slide back and forth under rip fence. If rip fence is too high or too low, loosen nuts holding front guide bar and adjust bar up or down. Wrench tighten nuts when proper alignment is achieved.
4. Adjust rear guide bar, as noted above.
5. Slide fence left and right on guide bar to ensure clearance from side to side and from front to back. If necessary readjust rip fence guide bars to get proper clearance. Wrench tighten all nuts holding guide bars in place.

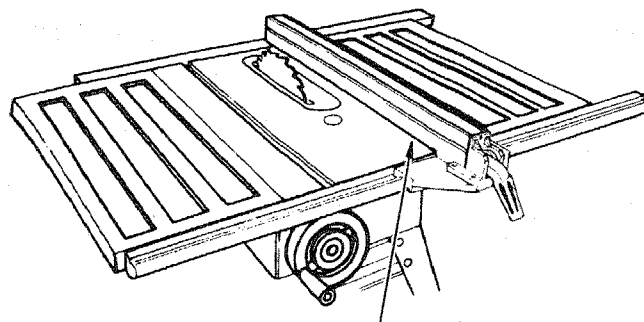
**NOTE:** During this adjustment, the left/right positioning of the guide bars could be affected. Realignment or readjustment may be necessary.



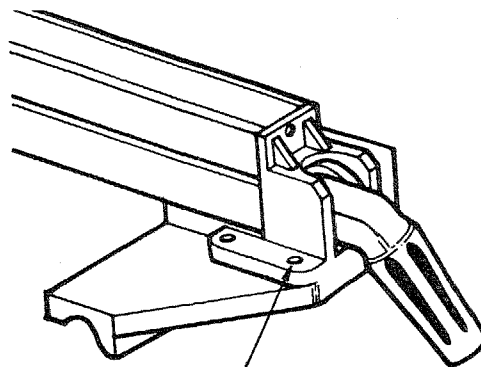
## Rip Fence Alignment Adjustment

**WARNING:** A misaligned fence can cause kickbacks and jams. To avoid injury, follow these instructions until the fence is properly aligned.

1. The rip fence must be PARALLEL with the sawblade and miter gauge grooves. Clean any debris off the fence rail. Move fence until it is along side the miter gauge groove. DO NOT LOCK IT. It should be parallel to groove. If it is not:
  - a. Using a 5/32" hex "L" wrench, loosen the four button head screws located to each side of the rip fence handle.
  - b. Hold fence head tightly against front guide bar. Align fence channel so that it is parallel with groove.
  - c. Alternately tighten the screws.
  - d. Recheck alignment.
  - e. Repeat steps as needed until fence channel is aligned with miter gauge groove.



Miter Gauge Groove



Button Head Screws  
for Adjusting Fence  
Parallelism

## Rip Fence Lock Lever Adjustment

**WARNING:** Make sure the fence lock works in the center and at each end of the fence rail. An improperly adjusted fence could move. Movement could cause binding or kickback. You could be hit or cut.

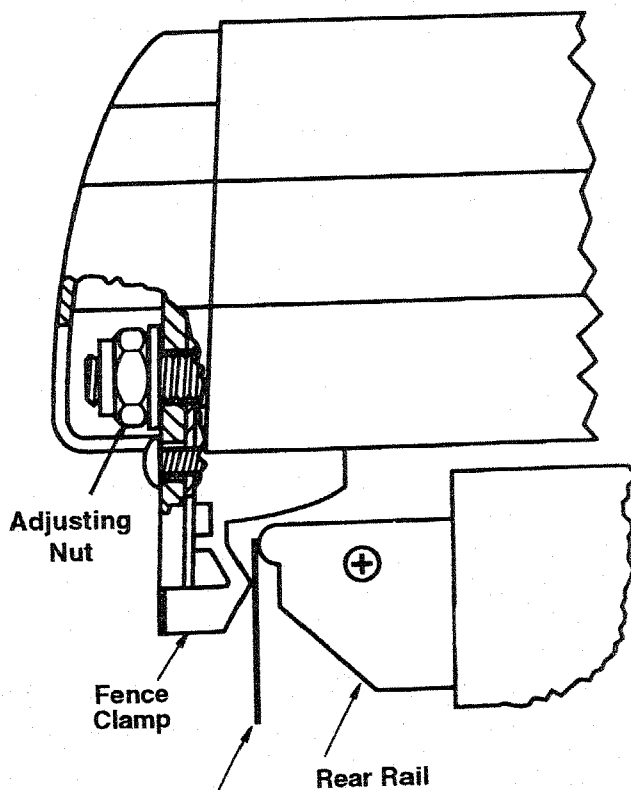
1. The rip fence lock lever, when locked down, should hold the rip fence securely. The lever should not be difficult to push down and lock.

To assure proper fence lock adjustment:

  - a. Raise lock lever and push fence head toward rear of saw.
  - b. Hold fence head down onto front rail while lifting rear of fence up and down.
  - c. Tighten adjusting nut until fence clamp just barely touches rear rail.
  - d. This should provide the best fence adjustment possible without over tightening.

Check fence lock across entire rail length. Recheck fence parallelism with miter slot in locked position and adjust if necessary.

If the fence does not clamp the same across the entire length of the rails, the guide bars may need to be readjusted with shims provided.



Fence Clamp and Rear Rail  
Should Barely Touch When  
Fence is Raised

# Assembly (continued)

## Mounting Switch and End Caps

1. From the bag labeled "Miscellaneous" remove only the following hardware:

- \*2 Pan Head Screws 1/4-20 x 1/2"
- \*2 Lockwashers 1/4" External Type
- \*4 Washers 1/4" Inside Diameter
- \*2 Hex Nuts 1/4-20
- \*2 Pan Head Screws, 10-32 x 3/8" Long
- \*2 Lockwashers, #10 External Type
- \*2 Square Nuts, 10-32
- \*4 Pan Head Screws, Type "AB" 8 x 1/2" Long
- \*2 Rear Stop Washers

From the bag labeled "Hardware" remove the following:

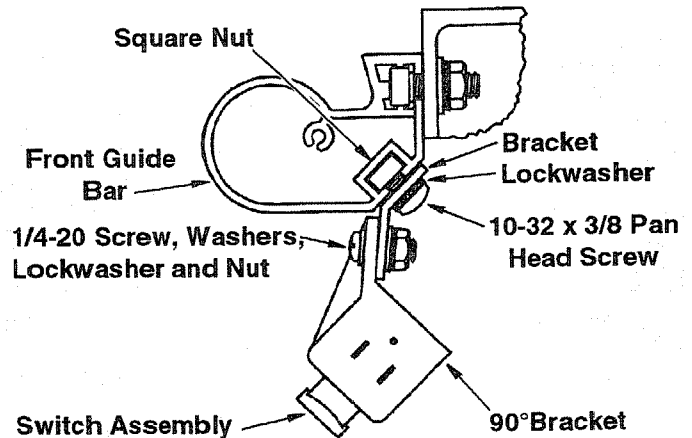
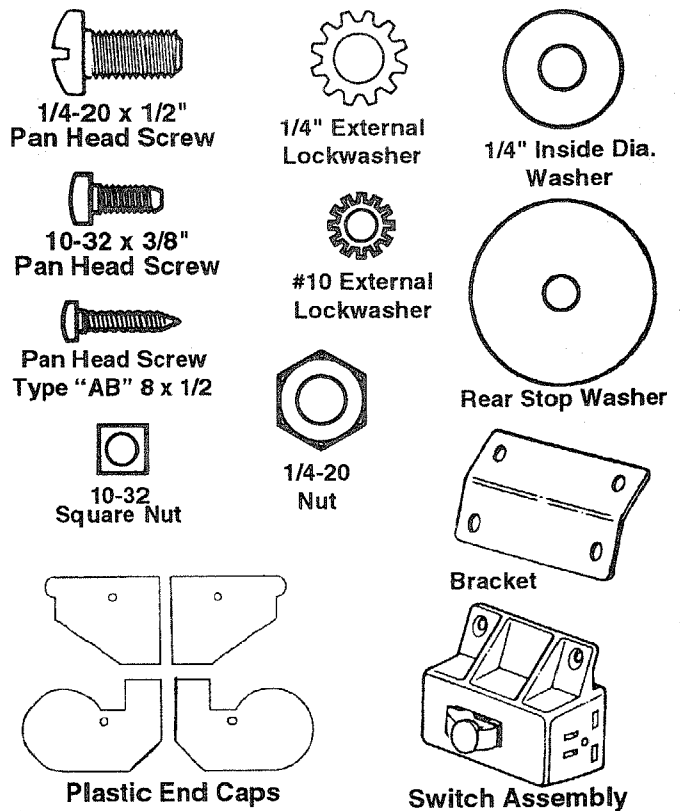
- 4 Plastic End Caps

From the bag labeled "Large Parts" remove the following:

- 1 Switch Assembly
- 1 Bracket

Items marked with an asterisk (\*) are shown actual size.

2. Assemble a 1/4" washer onto the 1/4-20 screws. Insert screws through top of switch and then through bracket as shown. Assemble a 1/4" washer, a 1/4" lockwasher and a 1/4" hex nut on to each screw and tighten screws.
3. Insert the 2 10-32 x 3/8" pan head screws through the 10-32 lockwashers and then through the holes in bracket.
4. Install the 2 square nuts on the screws so that there is an 1/8"+ clearance between the inside of the nut and the top of the switch assembly bracket.
5. Slide the nuts into the lower slot of the front guide bar from the right end, with the switch facing front.
6. Slide switch assembly left until the left side of switch assembly is in line with right side of main saw table - tighten screws.

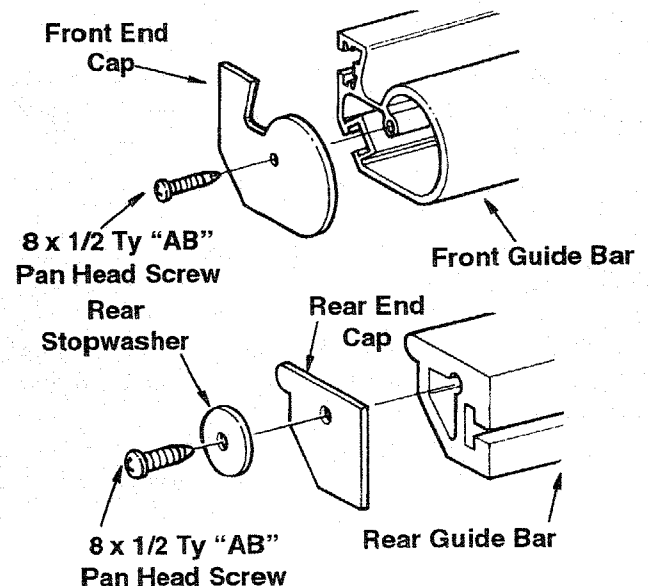


## Installing Guide Bar End Caps

1. The left and right end caps for front guide bar can be installed at this time. Align the plastic end cap to match profile of rail.
2. Install self tapping 8-32 pan head screw into each hole.
3. The left and right end caps for rear guide bar can be installed at this time.

**NOTE:** Two large washers are supplied. These act as fence stops so the rear of the fence does not fall off the rear rail.

4. Install rear end caps and fence stops as shown.



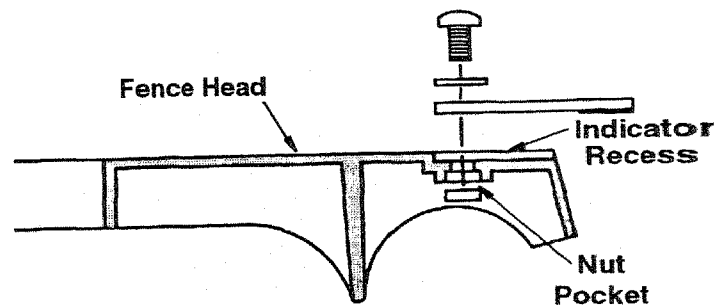
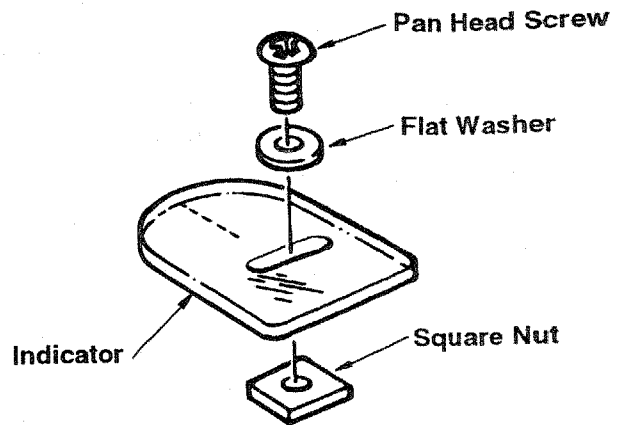
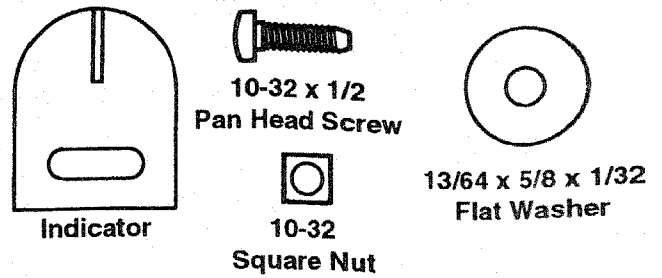
## Installing Indicator

1. From the bag labeled "Miscellaneous" remove the following hardware:

- \*1 Plastic Indicator
- \*1 Pan Head Screw, 10-32 x 1/2" Long
- \*1 Flat Washer, 13/64 x 5/8 x 1/32
- \*1 Square Nut, 10-32

Items marked with an asterisk (\*) are shown actual size.

2. Install the pan head screw with washer through the hole in the plastic indicator with the red line facing down. Install the square nut in the pocket behind the indicator recess in the fence head as shown.
3. Thread the pan head screw into the square nut. Do not tighten.
4. Place rip fence on saw table so that it lightly touches the right side of the blade and lock it in this position.
5. Adjust the indicator so that the red line is located over the "Zero" line of the right rip scale and tighten screw.



# Assembly (continued)

## Installing Blade Guard

1. From the bag labeled "Motor•Guard•Base" remove only the following hardware:

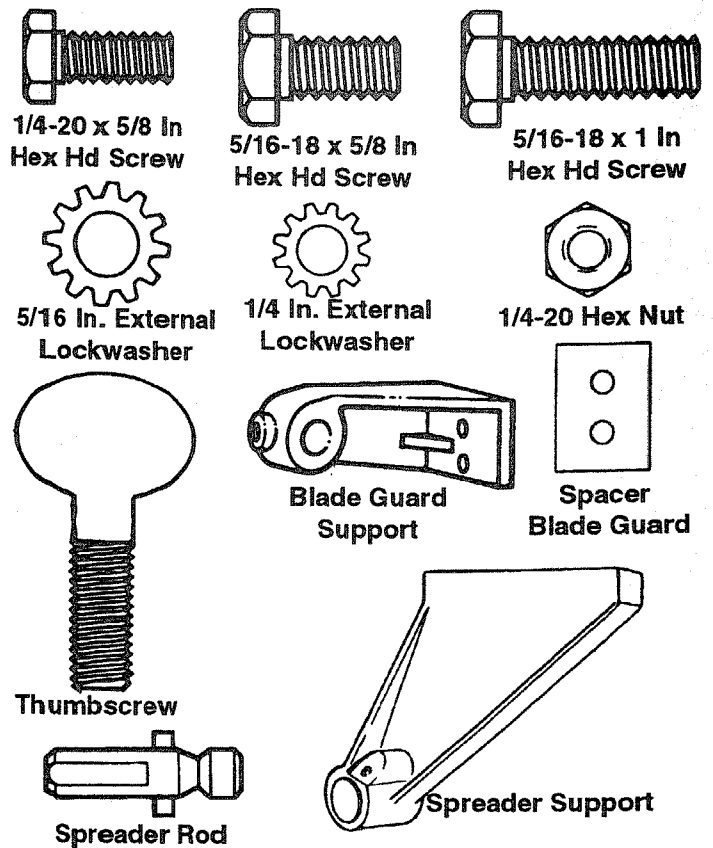
- \*2 Hex Head Screws, 1/4-20 x 5/8" Long
- \*3 Hex Head Screws, 5/16-18 x 5/8" Long
- \*2 Hex Head Screws, 5/16-18 x 1" Long
- \*2 Hex Nuts, 1/4-20
- \*2 Lockwashers, 1/4 External Type
- \*2 Lockwashers, 5/16 External Type
- \*1 Thumbscrew

From the bag labeled "Large Parts" find the following:

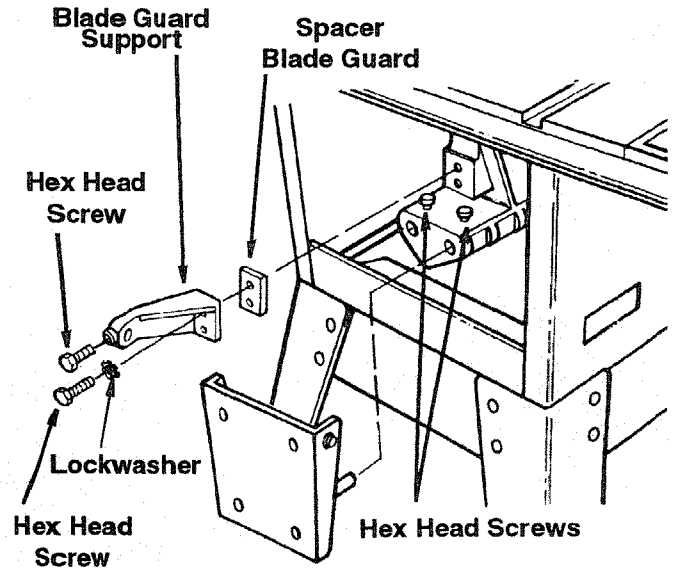
- 1 Blade Guard Support
- 1 Spreader Support
- 1 Spreader Rod
- 1 Spacer Blade Guard

Items marked with an asterisk (\*) are shown actual size.

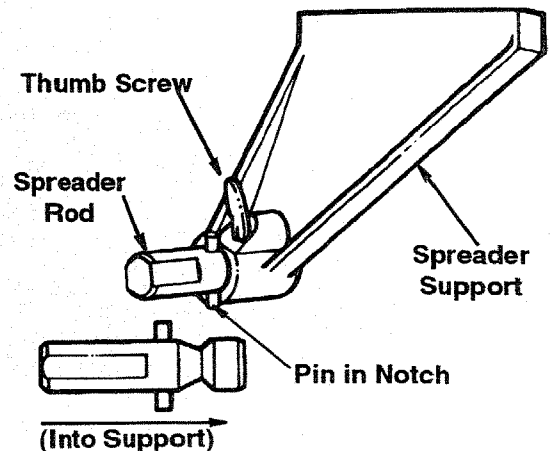
**NOTE:** The motor support assembly is shipped upside down in the rear of the cradle. Pull it out now and set it aside for later reinstallation.



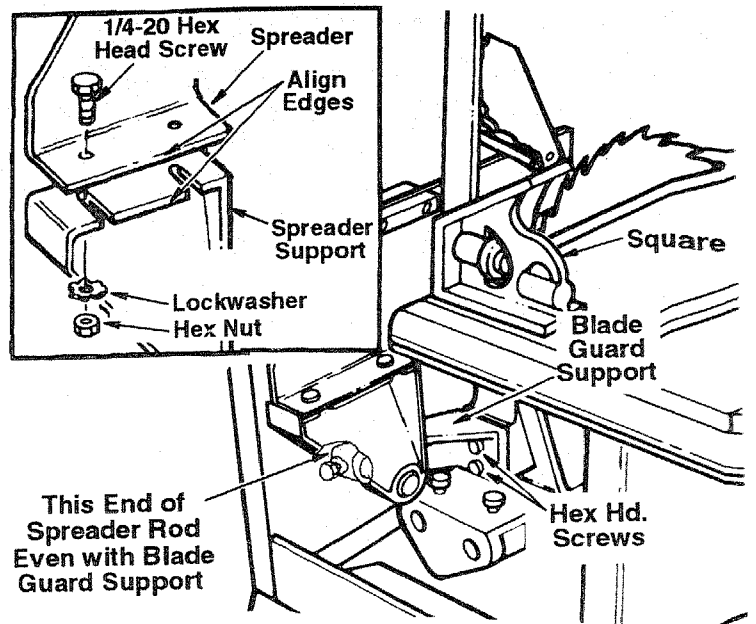
2. Find the (3) 5/16-18 x 5/8 hex head screws. Screw (1) into end of blade guard support and (2) into cradle as shown.
3. Place (2) 5/16-18 x 1 hex head screws through 5/16 lockwasher, blade guard support and spacer blade guard. Thread screws into cradle, finger tighten only.



4. Insert spreader rod into spreader support until pin fits into notch. Insert thumbscrew and tighten.



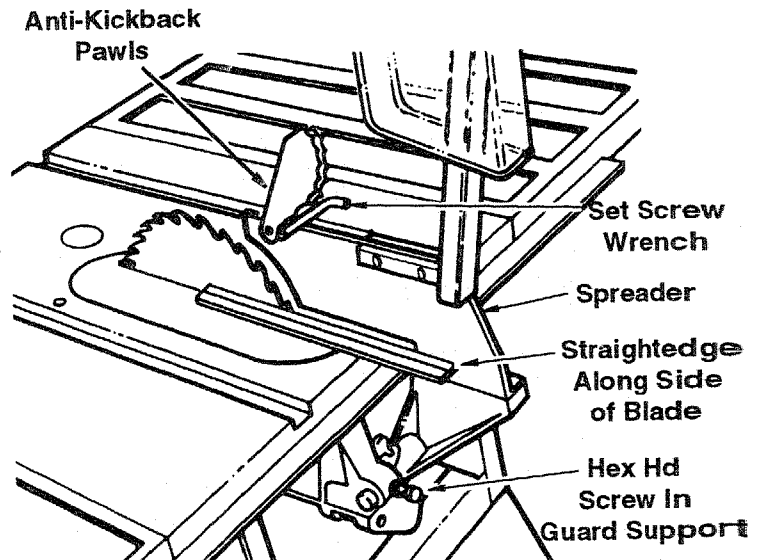
5. Slide spreader rod into blade guard support until end of rod is even with edge of support. Tighten 5/16 hex head screw in support using 1/2" wrench.
6. Attach spreader to spreader support so that the edge of the spreader is even with the edge of the spreader support as shown. Tighten screws with a 7/16 wrench.
7. Raise blade all the way up, make sure it is square with table.
8. Raise blade guard. Lift up both anti-kickback pawls. Insert a large set screw wrench in the notches of the pawls to hold the pawls out of the way. Align spreader square to table as shown.
9. Tighten both 5/16-18 x 1 inch hex head screws.



### Aligning Blade Guard

1. Lay blade of square or other straightedge alongside of blade.
2. Loosen hex head screw in guard support and move spreader left or right so that it touches blade of square. Tighten screw.

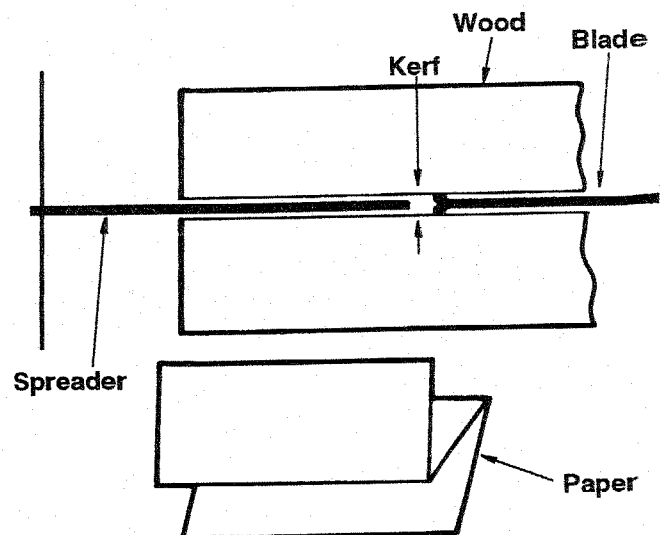
**NOTE:** The spreader is now square with the table and approximately in line with the sawblade. The spreader requires further adjustment to align it **parallel** to the blade and in the middle of the cut (kerf) made by the sawblade.



**IMPORTANT:** To work properly, the spreader must always be adjusted so the cut workpiece will pass on either side of the spreader without binding or skewing to the side.

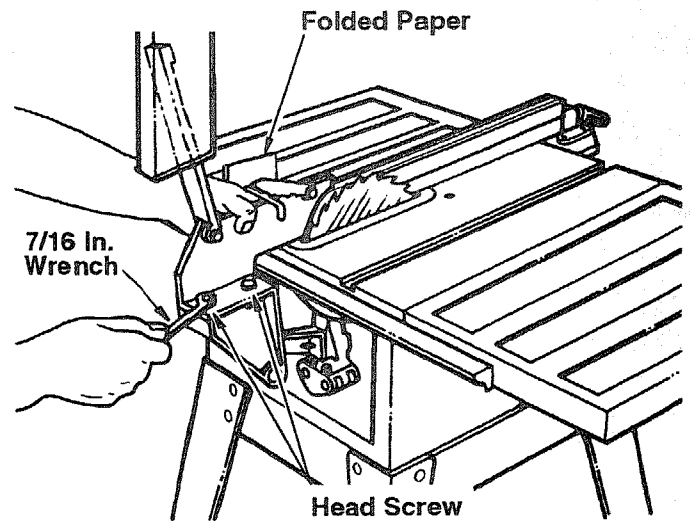
**NOTE:** The spreader is thinner than the width of the cut (kerf) by approximately six thicknesses of paper.

3. Make two folds in a small piece (6 x 6 inch) of ordinary newspaper making three thicknesses. The folded paper will be used as "spacing gauge".



## Assembly (continued)

- Place rip fence on the right hand side of table. **Carefully** move it against blade so that it is parallel to the blade, and just touches tips of saw teeth. Tighten rip fence lock lever.
- Insert folded paper between spreader and fence.
- Using 7/16 wrench loosen the 1/4-20 hex head screws so the spreader can slide sideways.
- Hold spreader flat against fence. Tighten screws using 7/16 inch wrench.
- To remove blade guard and spreader, loosen thumb-screw. **Do not loosen other screws.** This allows you to remove and replace the guard for non-through cuts without disturbing the spreader alignment.



## Mounting the Motor

- From the bag labeled "Motor•Guard•Base" remove only the following hardware:

- \*4 Carriage Bolts, 5/16-18 x 3/4
- \*4 Hex Nuts, 5/16-18
- \*4 Lockwashers, 5/16 External Type

From the bag labeled "Large Parts" find the following:

- 1 Motor pulley
- 1 Belt

From among the loose parts find the following:

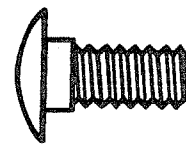
- 1 Motor
- 1 Motor Support Assembly

Items marked with an asterisk (\*) are shown actual size.

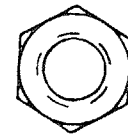
- Align holes in motor base and motor support assembly. Insert carriage bolts through holes in motor support assembly then through the motor base. Install lockwashers and nuts hand tight.
- Position motor so that the top edge of motor base and motor support assembly are even as illustrated. Center motor side to side on motor support assembly. Tighten the four nuts.

## Installing Pulley

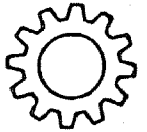
- Loosen set screw in motor pulley using 5/32 in. hex "L" wrench. Slide pulley onto shaft with hub away from motor. Do not tighten set screw.
- Install 3/16 in. square key (furnished with motor) in grooves in pulley and motor shaft. Do not tighten set screw.



5/16-18 x 3/4  
Carriage Bolt



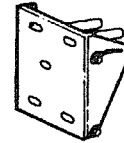
5/16-18  
Hex Nut



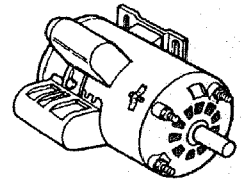
5/16 In. External  
Lockwasher



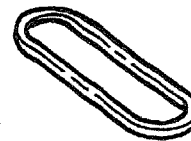
Motor Pulley



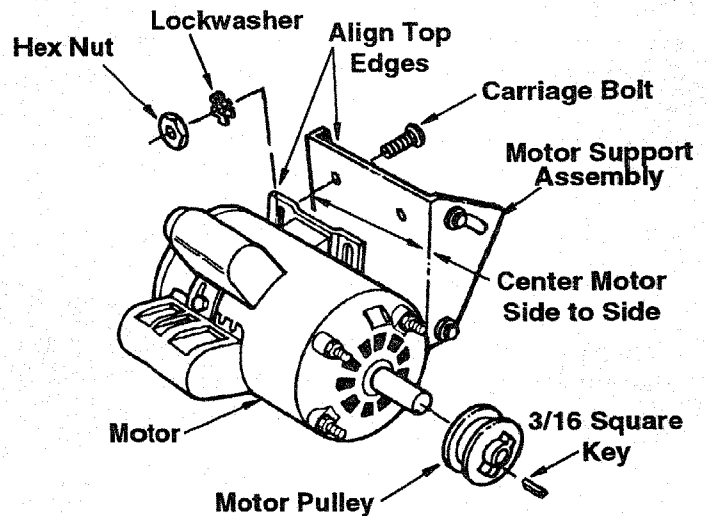
Motor Support  
Assembly



Motor

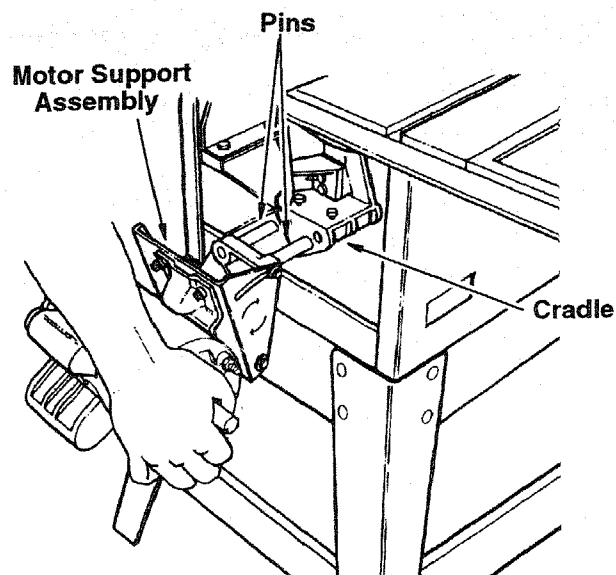


Belt



## Installing Belt

1. Lift motor and insert the two pins on motor support assembly into holes in cradle. Push motor in as far as it will go. Do not tighten screws at this time.



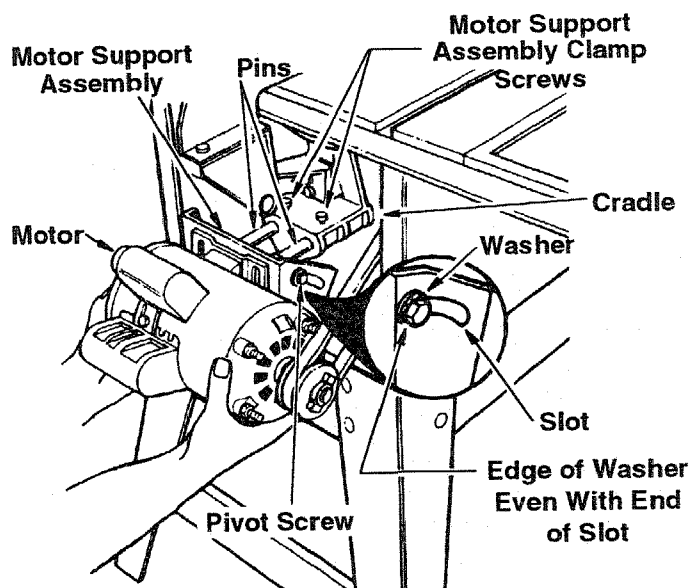
2. Lower the blade all the way down and set bevel to 0°. Install belt on saw pulley and motor pulley.

3. Sight along edges of both pulleys and move motor pulley so that belt is parallel to the edges of both pulleys. Tighten the set screw in the motor pulley.

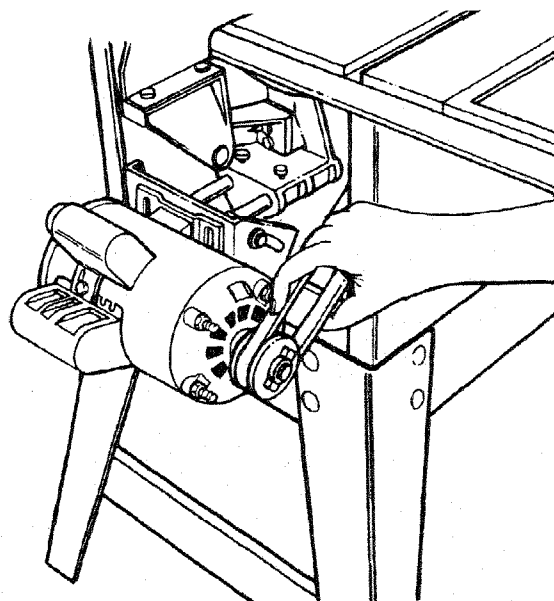
4. Raise saw blade all the way up.

5. Lift motor until edge of washer (see illustration) is even with end of slot in motor support assembly. In this position, pull motor toward you (pins will slide in the cradle) until slack is removed from belt. Make sure edge of washer is still even with end of slot. Using a 1/2 inch wrench tighten the two motor support assembly clamp screws.

6. Pivot screw must be adjusted only tight enough to allow motor to pivot freely as blade is raised and lowered. This will maintain constant tension on belt.



7. Put your hand around the belt half way between the two pulleys and squeeze belt until two sides of belt touch. The motor should move freely as you squeeze the belt. If motor does not move freely, belt tension must be readjusted.



## Assembly (continued)

### Installing Belt Guard

1. From the bag labeled "Motor•Guard•Base" remove the following hardware:

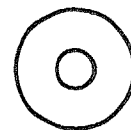
\*4 Hex Nuts, 10-32

\*8 Flat Washers, 13/64 x 3/8 x 1/32.

From among the loose parts find the following:

1 Belt Guard

Items marked with an asterisk (\*) are shown actual size.

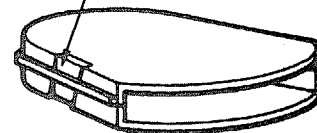


Flat Washer  
13/64 I.D.



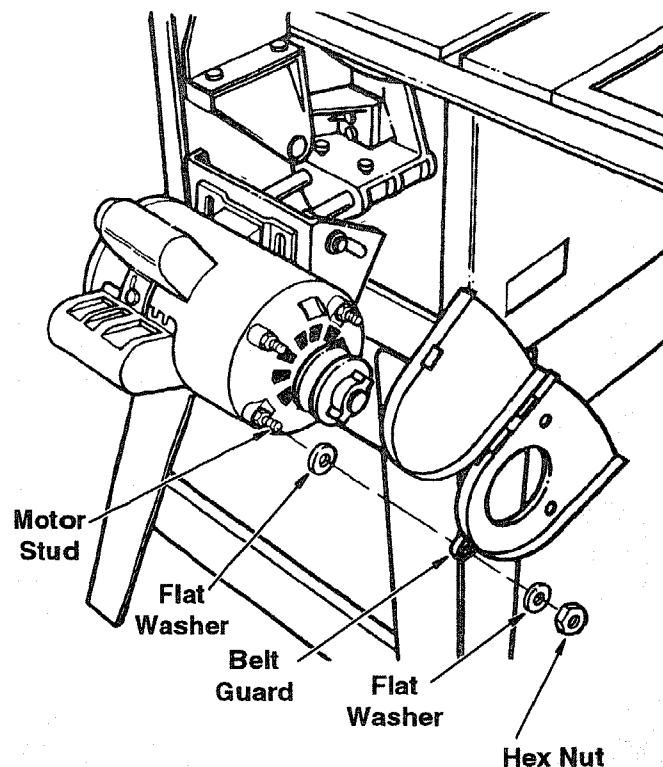
10-32 Hex Nut

Press Down on Tab  
Lock To Open



Belt Guard

2. Lower blade all the way down and remove the motor belt.
3. Install one flat washer onto each of the four motor studs.
4. Open the hinged belt guard by pressing down on the tab lock as shown.
5. Position the guard so the large hole fits around the pulley. Insert the motor studs through the four small holes as shown.
6. Attach another washer and one nut to each motor stud as shown and tighten securely.
7. Reposition the belt on the motor and arbor pulley.
8. Close the hinged cover securely until the tab snaps and locks the cover closed.
9. Check the belt clearances on the guard by raising the blade to full height using the elevation handwheel.
10. Check motor clearances by rotating the bevel handwheel located on the right side until the indicator is set at 45°.



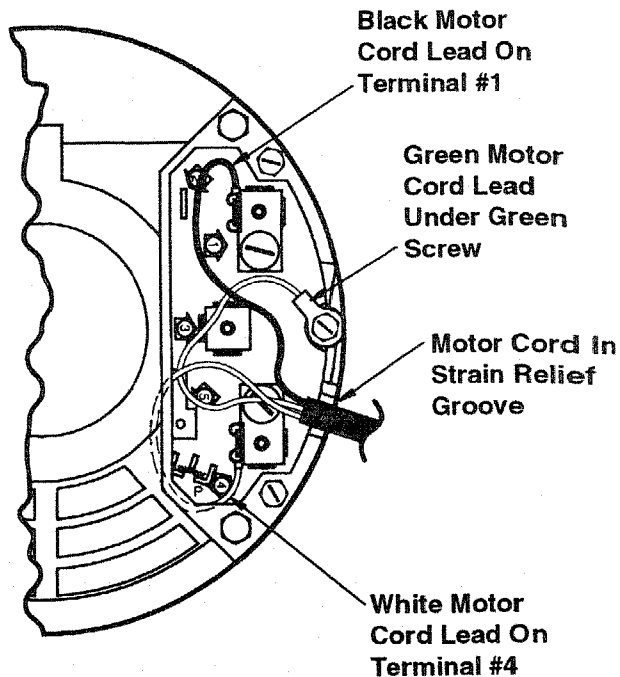
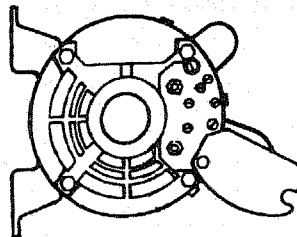
## Motor Connections

**WARNING:** For your own safety, never connect plug to power source outlet until all assembly steps are completed.

1. Open motor connector box cover located on side of motor using a flat blade screwdriver.

**WARNING:** To avoid electrocution, never connect anything but the ground wire (colored green) to the green screw.

2. Remove **green screw** and insert through round metal terminal on the end of the **green wire** of motor cord.
3. Reinsert **green screw** in threaded hole that it was removed from and tighten securely.
4. Connect terminal end of **black wire** to terminal #1 on the motor. Push terminal firmly until seated.
5. Connect terminal end of **white wire** to terminal #4 on the motor. Push terminal firmly until seated.
6. Close motor connector box being sure that motor cord is seated in lower strain relief groove and tighten box cover screws.
7. Do not plug in power cable.



Motor Cord Connections

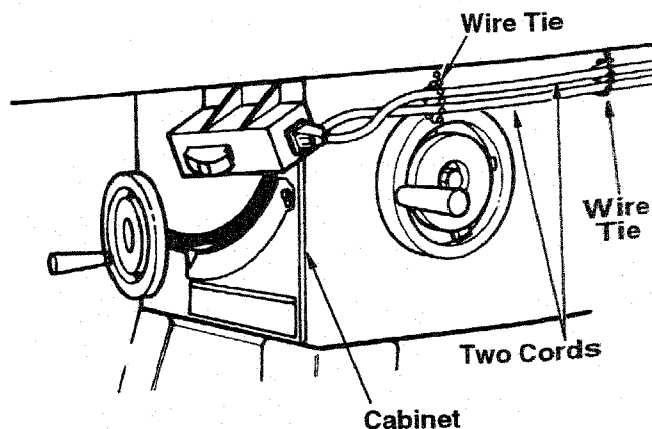
8. From the bag labeled "Large Parts" find the following:  
2 Wire Ties



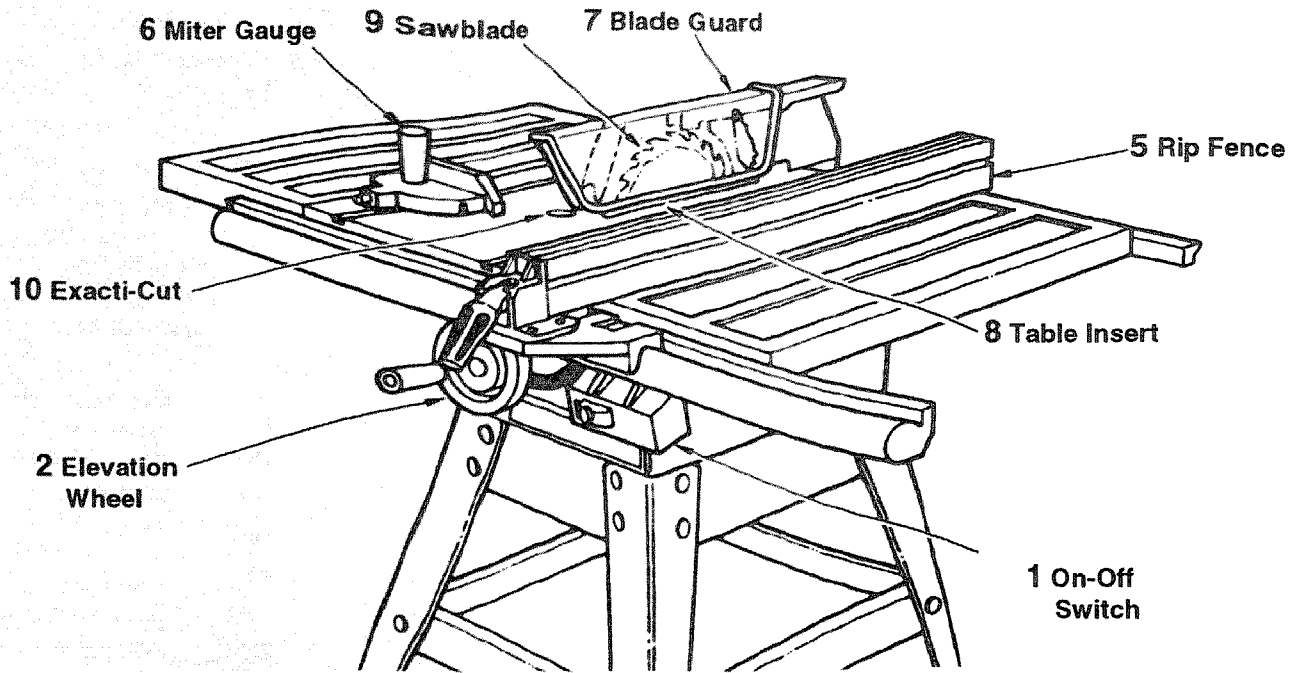
Wire Tie

9. Route motor cord and power cord along right side of cabinet. Use a hammer to lightly tap the pointed tabs on the wire ties into the holes provided on side of cabinet. Secure both cords in wire ties.
10. Plug motor cord into outlet on side of switch box.

**NOTE:** This completes the assembly of your table saw. Do not throw away any remaining hardware until you have read the entire owners manual.



# Getting to Know Your Table Saw



## 1. On-Off Switch.

**CAUTION:** Before turning switch "ON", make sure the blade guard is correctly installed and operating properly.

The On-Off Switch has a locking feature. This feature is intended to help prevent unauthorized and possible hazardous use by children and others.

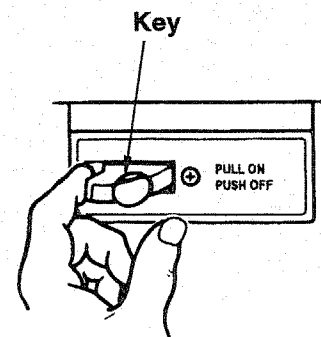
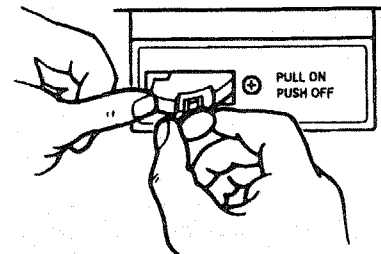
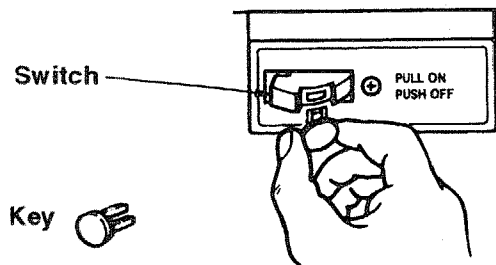
A. To turn saw ON, stand to either side of the blade, never in line with it, insert finger under switch lever and pull end of lever out.

After turning switch ON, always allow the blade to come up to full speed before cutting. Do not cycle the motor switch on and off rapidly, as this may cause the sawblade to loosen. In the event this should ever occur, allow the sawblade to come to a complete stop and retighten the arbor nut normally, not excessively. Never leave the saw while the power is "ON".

B. To turn saw OFF, PUSH lever in. Never leave the saw until the cutting tool has come to a complete stop.

C. To lock switch in OFF position, hold switch IN with one hand, REMOVE key with other hand.

**WARNING:** For your own safety, lower blade or other cutting tool below table surface. (If blade is tilted, return it to vertical, 90°, position.) Always lock the switch "OFF". When saw is not in use, remove key and keep it in a safe place. Also, in the event of a power failure (all of your lights go out) turn switch off, lock it and remove the key. This will prevent the saw from starting up again when the power comes back on.



- 2. Elevation Handwheel...** elevates or lowers the blade. Turn clockwise to elevate, counterclockwise to lower.
- 3. Tilt Handwheel...** tilts the blade for bevel cutting. Turn clockwise to tilt toward left, counterclockwise to tilt toward right.

When the blade is tilted to the left as far as it will go, it should be at 45° to the table and the bevel pointer should point 45°.

**NOTE:** There are limit stops inside the saw which prevent the blade from tilting beyond 45° to the left and 90° to the right. (See "Adjustments and Alignments" section "Blade Tilt, or Squareness of Blade to Table").

- 4. Tilt Lock Handle...** locks the blade in the desired tilt position. To loosen, turn counterclockwise. Push handle in and turn it to another position if necessary in order to tighten or loosen.

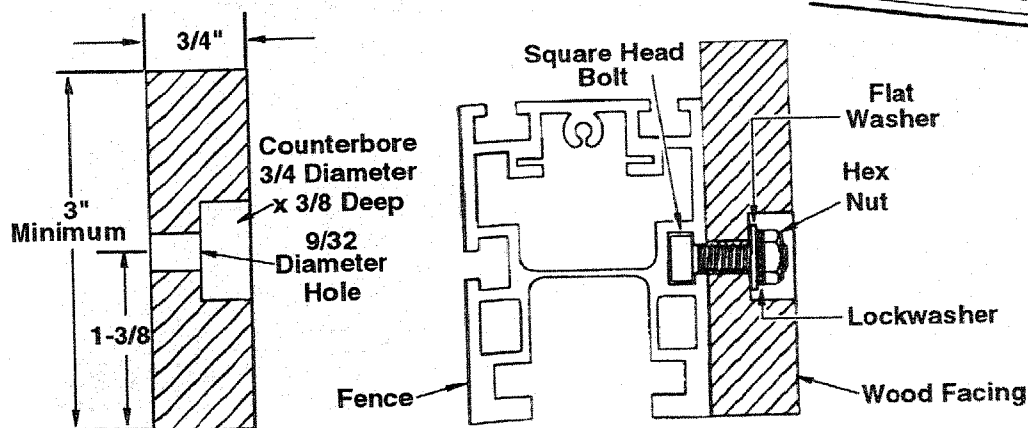
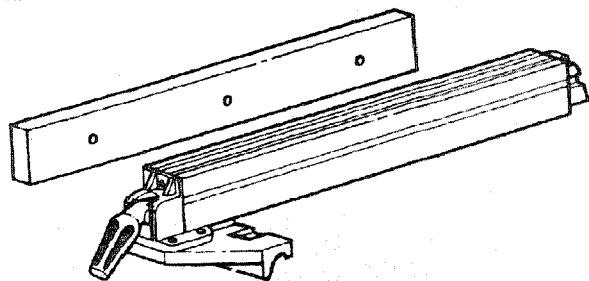
**IMPORTANT:** Be sure handle is hanging in the "DOWN" position before tilting blade. If it is pointing to the 1 o'clock position it may jam on underside of the table and bend the locking bolt.

- 5. Rip Fence...** is locked in place by pushing the lock lever down until the lever rests on the stop. To move the fence, lift the lock lever and grasp the fence with one hand at the front.

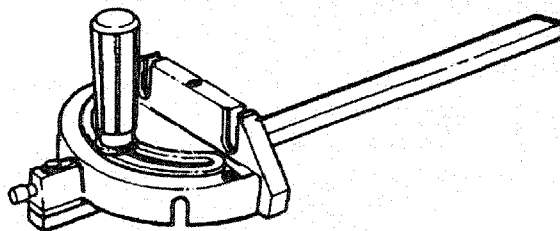
A "T" slot is provided in the rip fence for attaching a wood facing when using the dado head, or molding head.

Select a piece of smooth straight wood approximately 3/4 inch thick, and the same size as the rip fence.

Attach it to the fence with the three square head 1/4-20 x 3/4 bolts provided. To remove the facing, loosen the hex nuts, slide the facing toward the rear and out of the fence slot.



- 6. Miter Gauge...** head is locked in position for cross cutting or mitering by tightening the lock knob. Always securely lock it when in use. There are stops for the stop pin 0° and 45° right and left positions for conveniently setting the miter gauge to cut miters at these standard angles.



- 7. Blade Guard...** must always be in place and working properly for all thru-sawing cuts. That is, all cuts where the blade cuts completely through the workpiece.

To remove the guard for special operations, loosen the thumbscrew and slide the guard off the rod. Do not disturb the setting of the rod.

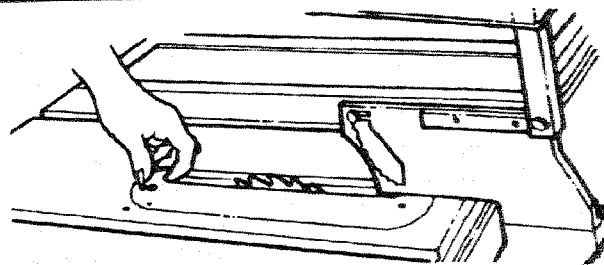
When replacing the guard make sure the pin in the rod engages with the notch in the spreader support. Make sure the thumbscrew is tightened securely.

- 8. Table Insert...** is removable for removing or installing blade or other cutting tools.

**WARNING:** To avoid injury from accidental start, turn switch "OFF" and remove plug from power source before removing insert.

- Lower the blade below the table surface.
- Raise blade guard.
- Loosen insert screw.
- Lift insert from front end, and pull toward front of saw.

**WARNING:** Never operate saw without the proper insert in place. Use the sawblade insert when sawing. Use the combination dado molding insert when using a dado or molding head.



# Getting to Know Your Table Saw (continued)

## 9. Removing and Installing Sawblade

**WARNING:** To avoid injury from accidental start, turn switch "OFF" and remove plug from power source outlet before removing or installing sawblade.

- A. Raise blade guard, remove insert.
- B. To remove blade, place a block of wood against front of blade, pull arbor wrench toward you to loosen arbor nut.
- C. To tighten arbor nut, place a block of wood against rear of blade, push wrench away from you.

When installing the blade, make sure the teeth are pointing toward the front of the saw and that the blade and collars are clean, and free from any burrs.

The hollow side of the collar must be be against the blade. Always tighten the arbor nut securely.

**NOTE:** When using the dado or molding head, it is not necessary to install the (outer) loose collar.

To replace insert.

Place insert into opening in table and push toward rear of saw to engage rear spring on insert and until key slot in insert will drop over screw. Tighten screw. Do not tighten screw to the point where it will deflect the insert.

**WARNING:** To avoid injury from a thrown workpiece, blade parts, or blade contact, never operate saw without the proper insert in place. Use the sawblade insert when sawing. Use the proper size dado/molding insert for dado blades and molding heads.

## 10. Exact-I-Cut

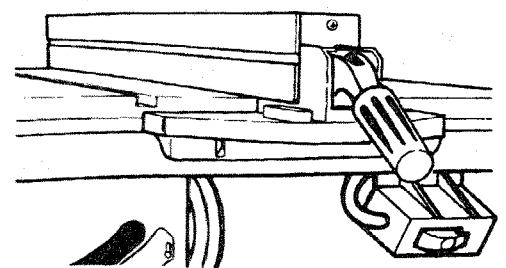
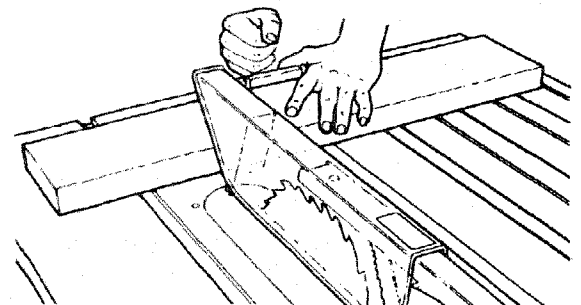
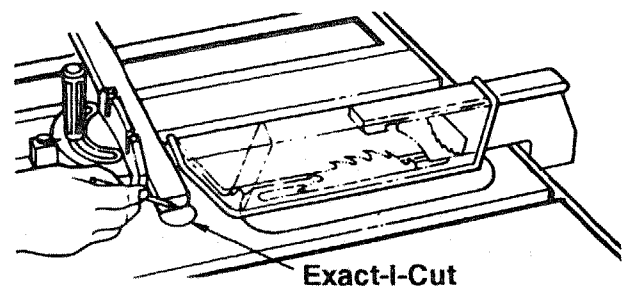
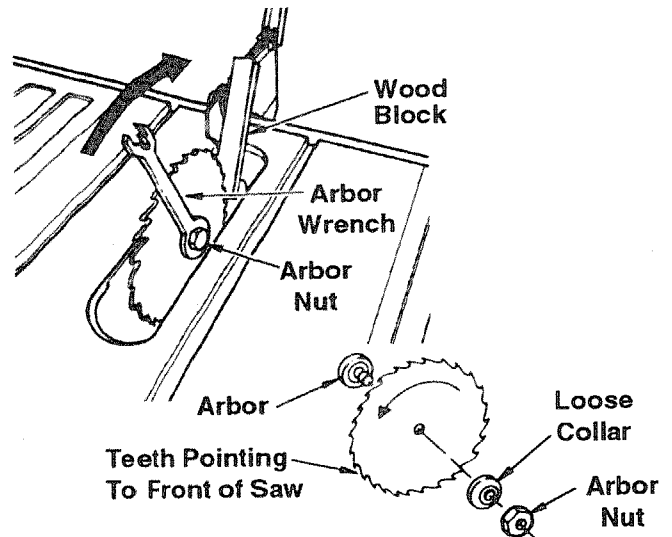
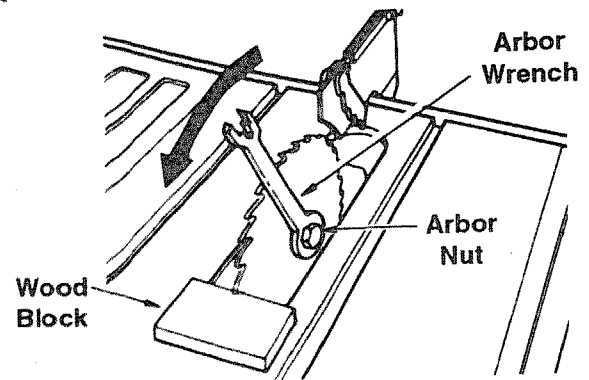
The "yellow" plastic disc embedded in the table in front of the sawblade, is provided for marking the location of the "sawcut" (kerf) on the workpiece.

Check disk location: If it is above table surface, place a piece of hardwood on top of it and tap it down with a hammer.

Adjusting the Exact-I-Cut:

- A. With blade 90° (square to table) and miter gauge in left groove, cross cut a piece of wood holding the wood firmly against miter gauge.
- B. Pull miter gauge back until freshly cut edge of wood is over disk. Using a sharp pencil, mark a line on disk at freshly cut edge of wood.
- C. With miter gauge in right hand groove, follow same procedure and mark another line on disk.
- D. These lines indicate the "path" of the cut (kerf) made by the sawblade.
- E. When cutting the workpiece, line up mark on workpiece with line on disk.

**NOTE:** When the blade is changed, or a dado/molding head installed these lines will need to be erased and reset.



# Safety Instructions for Basic Saw Operations

## Before Each Use

### Inspect your saw.

- To avoid injury from accidental starting, turn the switch off, unplug the saw, and remove the switch key before raising or removing the guard, changing the cutting tool, changing the setup, or adjusting anything.
- Check for alignment of moving parts, binding of moving parts, breakage of parts, saw stability, and any other conditions that may affect the way the saw works.
- If any part is missing, bent or broken in any way, or any electrical part does not work properly, turn the saw off and unplug the saw.

- Replace damaged or missing parts before using the saw again.
- Use the sawblade guard, spreader and anti-kickback pawls for any thru-sawing (whenever the blade comes through the top of the workpiece). Make sure the anti-kickback pawls work properly. Make sure the spreader is in line with sawblade.
- Remove adjusting keys and wrenches. Form a habit of checking for and removing keys and wrenches from table top before turning saw on.
- Make sure all clamps and locks are tight and no parts have excessive play.

## To Avoid Injury From Jams, Slips Or Thrown Pieces (Kickbacks Or Throwbacks)

### Inspect Your Blade.

- Choose the right blade or cutting accessory for the material and the type of cutting you plan to do.
- Use The Right Tool. Don't force tool or attachment to do a job it was not designed for.
- Never use grinding wheels, abrasive cutoff wheels, friction wheels (metal cutting blades) wire wheels or buffing wheels. They can fly apart explosively.
- Cut only wood, wood like or plastic materials. Do not cut metal.
- Choose and inspect your cutting tool carefully:
  - To avoid cutting tool failure and thrown shrapnel (broken pieces of blade), use only 10" or smaller blades or other cutting tools marked for speeds of 5000 rpm or higher.
  - Always use unbroken, balanced blades designed to fit this saw's 5/8 inch arbor.
  - When thru-sawing (making cuts where the blade comes through the workpiece top), always use a 10 inch diameter blade. This keeps the spreader in closest to the blade.
  - Do not over tighten arbor nut. Use arbor wrenches to "snug" it securely.
  - Use only sharp blades with properly set teeth. Consult a professional blade sharpener when in doubt.
  - Keep blades clean of gum and resin.
  - Never use the saw without the proper blade insert.

### Inspect your work area.

- Keep work area clean.
- Cluttered areas and benches invite accidents. Floor must not be slippery from wax or sawdust.
- To avoid burns or other fire damage, never use the saw near flammable liquids, vapors or gases.
- To avoid injury, don't do layout, assembly, or setup work on the table while blade is spinning. It could cut or throw anything hitting the blade.

### Plan your work

- Plan ahead to protect your eyes, hands, face, ears.

- Use the right tool. Don't force tool or attachment to do a job it was not designed for.

### Dress for safety

- Do not wear loose clothing, gloves, neckties or jewelry (rings, wrist watches). They can get caught and draw you into moving parts.
- Wear nonslip footwear.
- Tie back long hair.
- Roll long sleeves above the elbow.
- Noise levels vary widely. To avoid possible hearing damage, wear ear plugs or muffs when using table saw for hours at a time.
- Any power saw can throw foreign objects into the eyes. This can result in permanent eye damage. Wear safety goggles (not glasses) that comply with ANSI Z87.1 (shown on package). Everyday eyeglasses have only impact resistant lenses. They are not safety glasses. Safety goggles are available at Sears retail stores. Glasses or goggles not in compliance with ANSI Z87.1 could seriously hurt you when they break.



- For dusty operations, wear a dust mask along with safety goggles.

### Inspect your workpiece.

- Make sure there are no nails or foreign objects in the part of the workpiece to be cut.
- When cutting irregularly shaped workpieces, plan your work so it will not slip and pinch the blade:
- A piece of molding for example, must lie flat or be held by a fixture or jig that will not let it twist, rock or slip while being cut. Use jigs or fixtures where needed to prevent workpiece shifting.
- Use a different, better suited type of tool for work that can't be made stable.

# Safety Instructions for Basic Saw Operations

## Plan your cut.

- To avoid kickbacks and throwbacks which occur when a part or all of the workpiece binds on the blade and is thrown violently back toward the front of the saw:
  - Never cut **Freehand**. Always use either a rip fence, miter gauge or fixture to position and guide the work, so it won't twist or bind on the blade and kickback.
  - Make sure there's no debris between the workpiece and its supports.
- Use extra caution with large, very small or awkward workpieces.
- Use extra supports (tables, saw horses, blocks, etc.) for any workpieces large enough to tip when not held down to the table top. Never use another person as a substitute for a table extension, or as additional support for a workpiece that is longer or wider than the basic saw table, or to help feed, support or pull the workpiece.
- Never confine the piece being cut off, that is, the piece not against the fence, miter gauge or fixture. Never hold it, clamp it, touch it, or use length stops against it. It must be free to move. If confined, it could get wedged against the blade and cause a kickback or throwback.
- Never cut more than one workpiece at a time.
- Never turn your table saw "ON" before clearing everything except the workpiece and related support devices off the table.

## Plan the way you will push the workpiece through.

- **Never pull the workpiece through.** Start and finish the cut from the front of the table saw.
- **Never put your fingers or hands in the path** of the sawblade or other cutting tool.
- **Never reach in back** of the cutting tool with either hand to hold down or support the workpiece, to remove wood scraps, or for any other reason.
- Avoid hand positions where a sudden slip could cause fingers or a hand to move into a sawblade or other cutting tool.
- Don't overreach. Always keep good footing and balance.
- Push the workpiece against the rotation of the blade, never feed material into the cutting tool from the rear of the saw.
- Always push the workpiece all the way past the sawblade.
- As much as possible, keep your face and body to one side of the sawblade, out of line with a possible kickback or throwback.
- Set the cutting tool as low as possible for the cut you're planning.

## Avoid Accidental Starting.

- Make sure switch is "OFF" before plugging saw into a power outlet.

## Whenever Sawblade Is Spinning

**WARNING: Don't allow familiarity (gained from frequent use of your table saw) cause a careless mistake. Always remember that a careless fraction of a second is enough to cause a severe injury.**

- Before actually cutting with the saw, watch it while it runs for a short while. If it makes an unfamiliar noise or vibrates a lot, stop immediately. Turn the saw off. Unplug the saw. Do not restart until finding and correcting the problem.
- Make sure the top of the arbor or cutting tool turns toward the front of the saw.

### Keep Children Away.

- Keep all visitors a safe distance from the table saw.
- Make sure bystanders are clear of the table saw and workpiece.

### Don't Force Tool.

- Let the blade reach full speed before cutting.
- It will do the job better and safer at its designed rate.
- Feed the workpiece into the saw only fast enough to let the blade cut without bogging down or binding.

### Before freeing jammed material.

- Turn switch "OFF".
- Wait for all moving parts to stop.
- Unplug the saw.
- Check blade, spreader and fence for proper alignment before starting again.
- **To avoid throwback of cut off pieces.**
  - Use the guard assembly.

### To remove loose pieces beneath or trapped inside the guard.

- Turn saw "OFF".
- Remove switch key.
- Wait for blade to stop before lifting the guard.

### Before Leaving The Saw.

- Turn the saw off.
- Wait for blade to stop spinning.
- Unplug the saw.
- Make workshop child-proof. Lock the shop. Disconnect master switches. Remove the yellow switch key. Store it away from children and others not qualified to use the tool.

# Work Feed Devices

Before cutting any wood on your saw, study all of the "Basic Saw Operations".

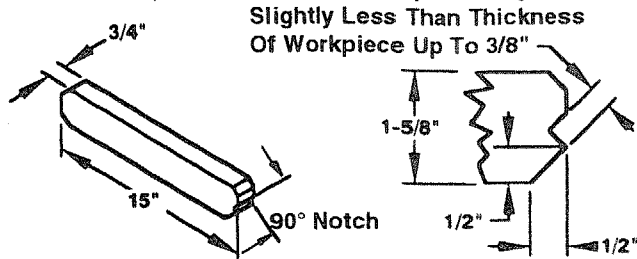
As you learn new table saw woodworking techniques, you'll see that many types of cuts need different support and feeding devices, known as jigs or fixtures. They can help you make cuts more accurately. By helping to steady the workpiece and keep you away from the blade, they can help you safely use your saw for certain cuts.

Many people custom build their own jigs and fixtures. Jigs and fixtures are often designed for a particular cut.

You can use your table saw to easily make many jigs and fixtures. To get you started, we've included instructions for some simple ones. After you have made a few practice cuts, make up these jigs before starting any projects. The use of these devices is explained in "Basic Saw Operations" section.

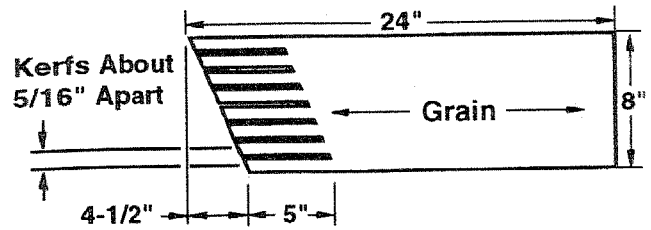
## Push Stick

Make the push stick from a piece of solid wood. Use a piece of 1 x 2 (3/4" x 1-5/8" actual) by 15" long.



NOTE: All dimensions in inches

Make the featherboard from a piece of 8" x 24" x 3/4" thick solid wood.



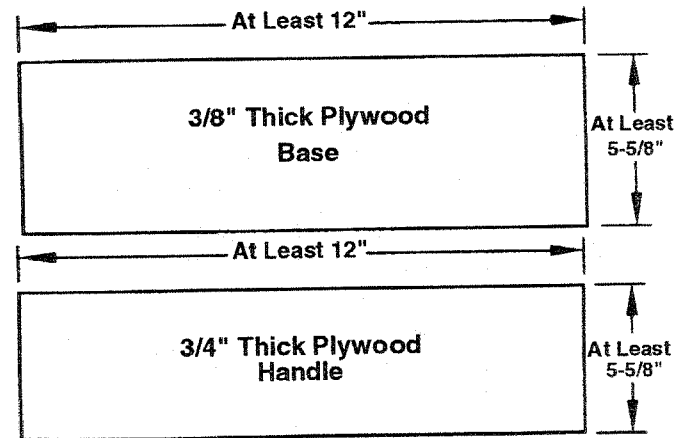
## Push Block

There are any number of ways to properly cut your workpieces to make a push block. The following steps describe one way you can make a push block.

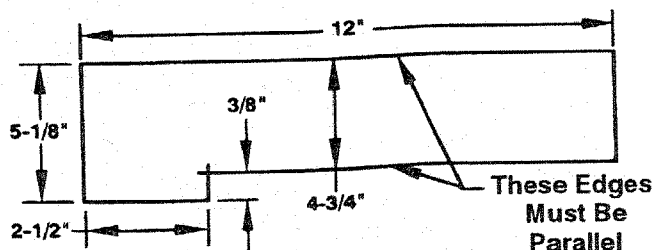
### Making the base:

- Start with a piece of 3/8 inch plywood at least 5-5/8 inches wide or wider and 12 inches long or longer.
- Make two ripcuts. Perform the first ripcut along the side of the 3/8" wide strip. Next, ripcut the 3/8" plywood to a width of 5-1/8".
- Crosscut the 3/8" plywood to 12" long.
- Crosscut a 2-1/2" piece off the 3/8" wide by 3/8" thick strip and save this short piece for later.
- The next cuts will create the 3/8" by 9-1/2" notch in the base. Mark the long edge of the board 2-1/2" from one end. Make a crosscut into the edge on the mark, stopping about 3/4" into the board. Set the saw and rip the width to 4-3/4" along the same edge as the stopped crosscut. Stop the ripcut where the two cuts intersect. Turn off the saw and remove the base piece. The base should now measure as shown.

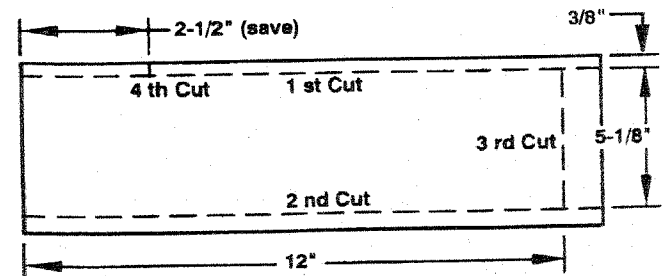
### Material for Push Block



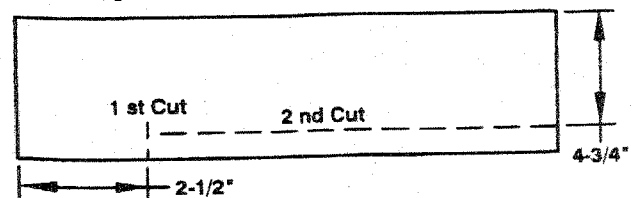
### Finished Base



### Cutting Out the Base



### Creating the Notch



# Work Feed Devices (continued)

## Making the handle:

- Miter crosscut a piece of 3/4 inch thick plywood to shape and size shown:

**NOTE:** The mitered corners can be any size that looks like the drawing (about 1-1/2" by 1-1/2").

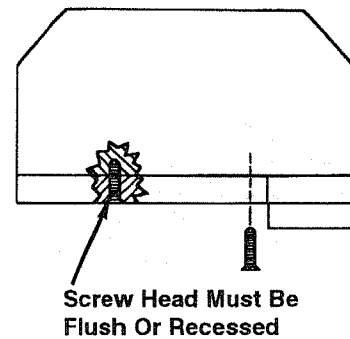
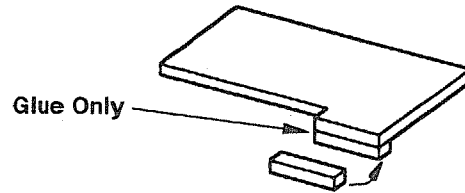
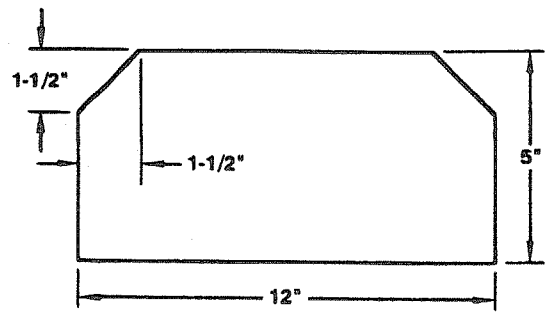
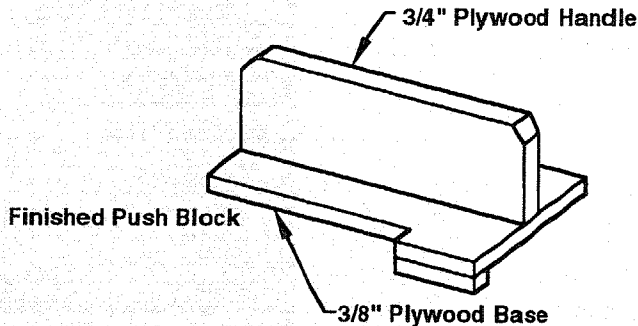
## Putting it Together

- Using good quality woodworking glue, glue the 3/8" x 3/8" x 2-1/2" piece strip saved earlier to the base as shown.

**IMPORTANT:** Do not use nails or screws. This is to prevent dulling of the sawblade in the event you cut into the push block.

- Position the handle at the center of the plywood base as shown. Fasten them together with glue and wood screws.

**IMPORTANT:** Make sure the screw heads do not stick out from the bottom of the base, they must be flush or recessed. The bottom must be flat and smooth enough to slide along the auxiliary fence you are now ready to make.



## Auxiliary Fence

### Making the base:

- Start with a piece of 3/8 inch plywood at least 5-1/2 inches wide or wider and 30 inches long or longer.
- Cut the piece to shape and size shown:

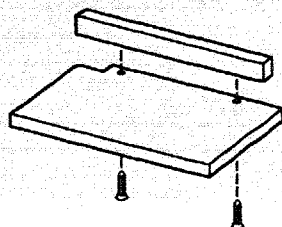
### Making the side:

- Start with a piece of 3/4 inch plywood at least 2-3/8 inches wide or wider and 27 inches long or longer.
- Cut the piece to shape and size shown:

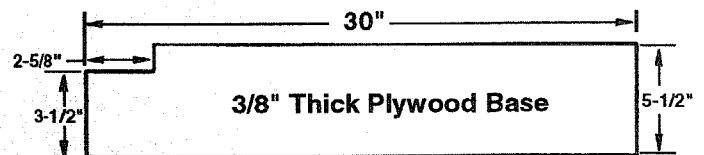
### Putting it together:

- Put the pieces together, as shown:

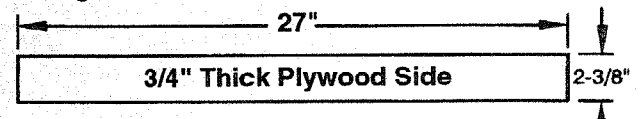
**IMPORTANT:** Make sure the screw heads do not stick out from the bottom of the base, they must be flush or recessed. The bottom must be flat and smooth enough to rest on the saw table without rocking.



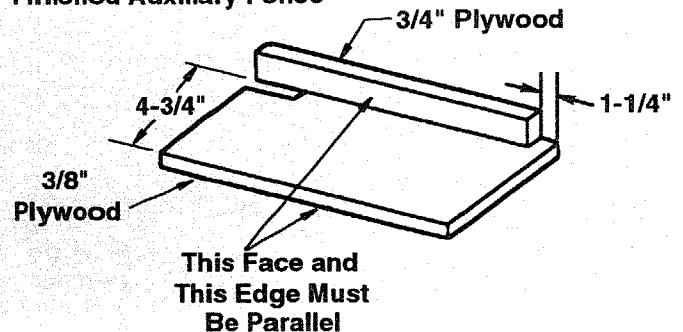
### Cutting Out the Base



### Cutting Out the Side



### Finished Auxiliary Fence





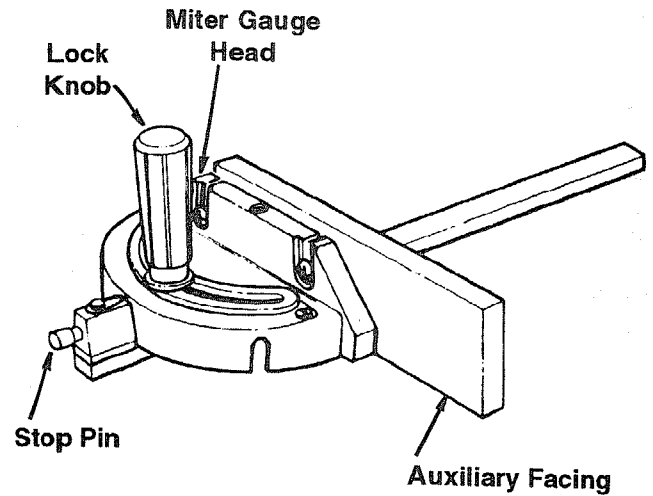
# Basic Saw Operations (continued)

## Crosscutting (continued)

Slots are provided in the miter gauge for attaching an auxiliary facing to make it easier to cut very long or short pieces. Select a suitable piece of smooth wood, drill two holes through it and attach with screws. Make sure the facing does not interfere with the proper operation of the sawblade guard.

When cutting long workpieces, you can make a simple support by clamping a piece of plywood to a sawhorse. (As seen on previous page.)

Use the hold-down clamp (optional accessory) on the miter gauge for greater accuracy.



## Repetitive Crosscutting

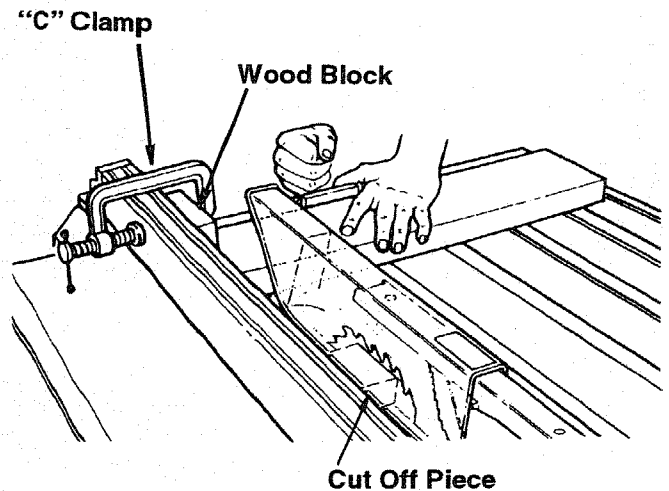
Definition: Cutting a quantity of pieces the same length without having to mark each piece.

- Use the stop rods (optional accessory not shown) only for cutting duplicate pieces 6 inches long and longer.
- Follow all safety precautions and operational instructions for cross cutting.
- When making repetitive cuts from a long workpiece, make sure it is adequately supported.

**WARNING: Never use the rip fence as a direct length stop because the cutoff piece could bind between the fence and the blade causing a kickback.**

- When making repetitive cuts shorter than 6 inches, clamp a block of wood 3" long to the fence at desired length to act as a length stop.
- Slide the workpiece along the miter gauge until it touches the block...hold the workpiece securely against the miter gauge or clamp it with the hold-down clamp (optional accessory not shown).
- Make the cut...turn the saw off...remove the piece after the blade has stopped and before cutting the next piece.

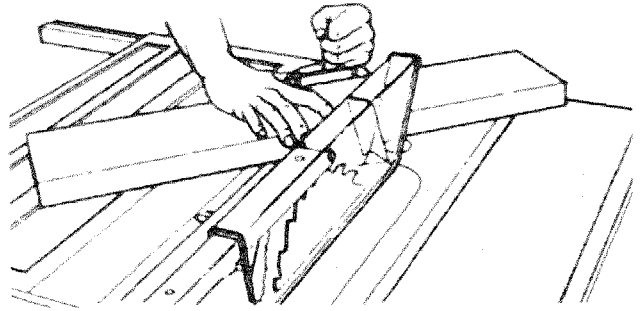
**WARNING: To avoid kickback from twisting the workpiece, when clamping the block make sure that the end of the block is well in front of the sawblade. Be sure it is clamped securely.**



## Miter Crosscutting

Miter cutting is known as cutting wood at an angle other than 90° with the edge of the wood. Follow the same procedure as you would for crosscutting.

- Adjust the miter gauge to the desired angle, and lock it.
- The miter gauge may be used in either of the grooves in the table. Make sure it is locked.
- When using the miter gauge in the left hand groove, hold the workpiece firmly against the miter gauge head with your left hand, and grip the lock knob with your right hand.
- When using the miter gauge in the right hand groove, hold the workpiece with your right hand and the lock knob with your left hand.



---

## Bevel Crosscutting

Bevel crosscutting is the same as crosscutting except that the wood is cut at an angle...other than 90° with the bottom flat side of the wood.

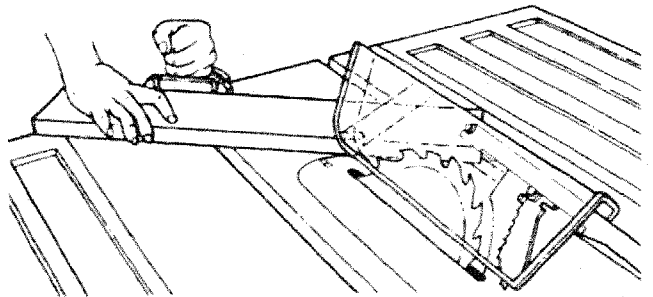
- Adjust the blade to the desired angle.
- Always use the miter gauge in the groove to the right of the blade. It cannot be used in the groove to the left because the blade guard will interfere. Hold the workpiece with your right hand and the lock knob with your left hand.
- Use the auxiliary fence/work support for additional support of the workpiece.

---

## Compound Crosscutting

Compound cutting is a combination of miter cutting and bevel crosscutting. The cut is made at an angle other than 90° to both the edge and the bottom flat side of the wood.

- Adjust the miter gauge and the blade to the desired angle...Make sure miter gauge is locked.



# Basic Saw Operations (continued)

## Using the Rip Fence

Ripping, bevel ripping, resawing and rabbeting are performed using the rip fence together with the auxiliary fence/work support, push stick or push block.

**WARNING: For your own safety, read and always observe all safety precautions listed in manual and on saw.**

## Additional Safety Instructions for Rip Cuts

- Never use the miter gauge when ripping
- Use a push stick whenever the fence is 2 or more inches from the blade.
- When thru-sawing, use an auxiliary fence and push block whenever the fence must be between 1/2 and 2 inches from the blade.
- Never thru-saw rip cuts narrower than 1/2 inch.
- Never rip anything shorter than 10" long.
- When using a push stick or push block, the trailing end of the workpiece must be square. A push stick or block against an uneven end could slip off or push the workpiece away from the fence.
- A featherboard can help guide the workpiece. (See

"Basic Saw Operation-Using Featherboards for Thru-Sawing" section.)

- Always use featherboards for any non thru-sawing rip type cuts. (See "Basic Saw Operations-Using Featherboards for Non Thru-sawing" section)

### Before Starting:

- To avoid kickbacks and slips into the blade, make sure the rip fence is parallel to the sawblade.
- Before thru-sawing, check the anti-kickback pawls. the pawls must stop a kickback once it has started. Replace or sharpen anti-kickback pawls when points become dull.
- Plastic and composition (like hardboard) materials may be cut on your saw. However, since these are usually quite hard and slippery, the anti-kickback pawls may not stop a kickback. Therefore, be especially careful in your setup and cutting procedures.

### While Thru-sawing:

- To avoid kickbacks and slips into the blade, always push forward on the section of the workpiece between the sawblade and the rip fence. Never push forward on the piece being cut off.

## Ripping

Definition: Cutting operation along the length of the workpiece.

Position the fence to the desired width of rip and lock in place.

Before starting to rip, be sure:

1. Rip fence is parallel to sawblade.
2. Spreader is properly aligned with sawblade.
3. Anti-kickback pawls are functioning properly.

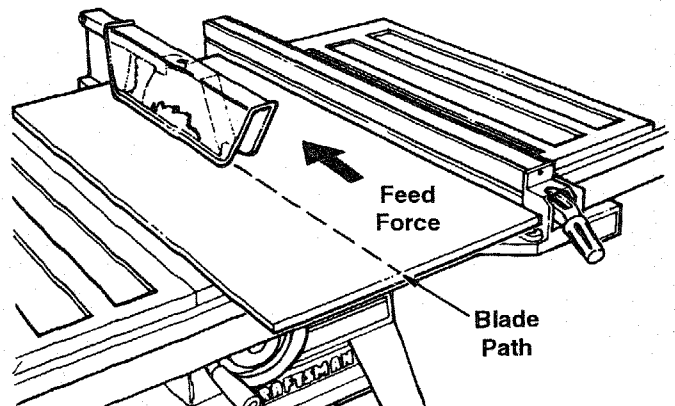
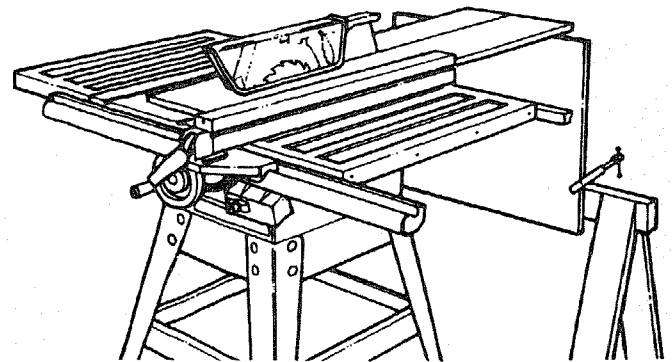
When ripping long boards or large panels, always use a work support. A simple support can be made by clamping a piece of plywood to a sawhorse.

**WARNING: To avoid kickback, push forward only on the part of the workpiece that will pass between the blade and the fence.**

Keep your hands out of the blade path.

Feed the workpiece by pushing forward only on the part of the workpiece that will pass between the blade and the fence.

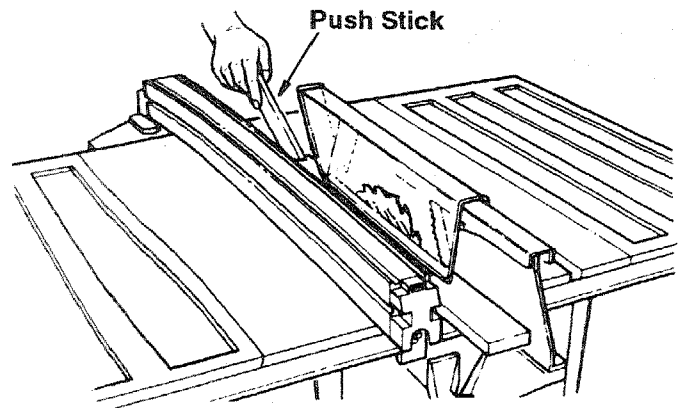
Stop your left thumb at the front edge of the table. Finish the cut with the appropriate pusher.



## Ripping (continued)

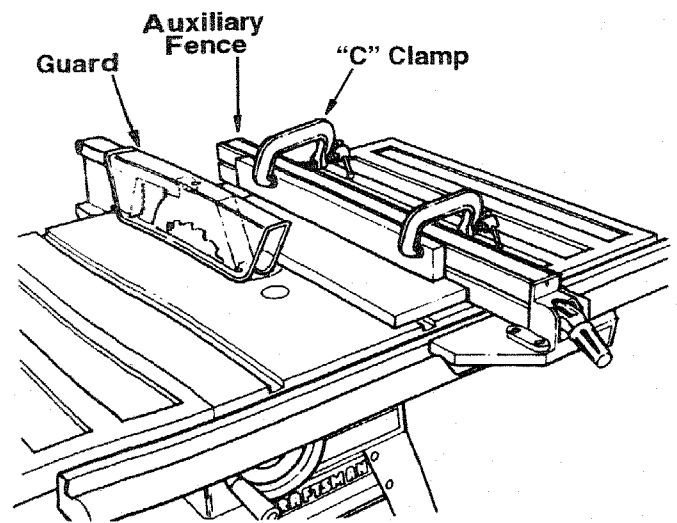
Once the trailing end is on the table:

When "width of rip" is 2" or wider, use the push stick to finish the work all the way past the blade.



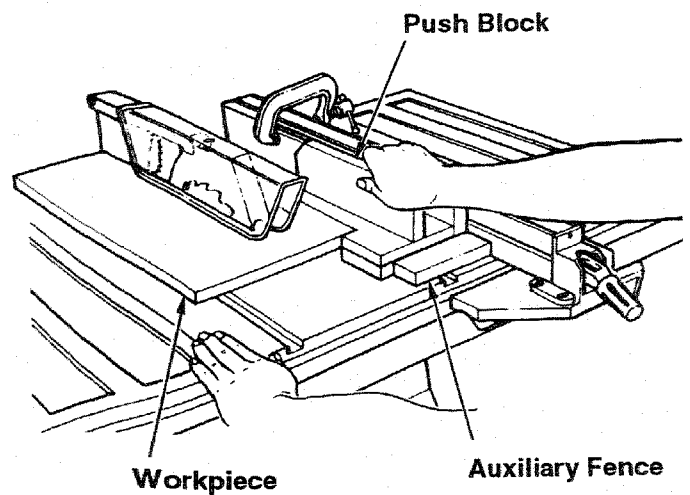
When "width of rip" is narrower than 2" the push stick cannot be used because the guard will interfere...use the auxiliary fence and push block.

Attach auxiliary fence to rip fence with two "C" clamps.



Feed the workpiece by hand along the auxiliary fence until the end is approximately 1" past the front edge of the table. Continue to feed using the push block.

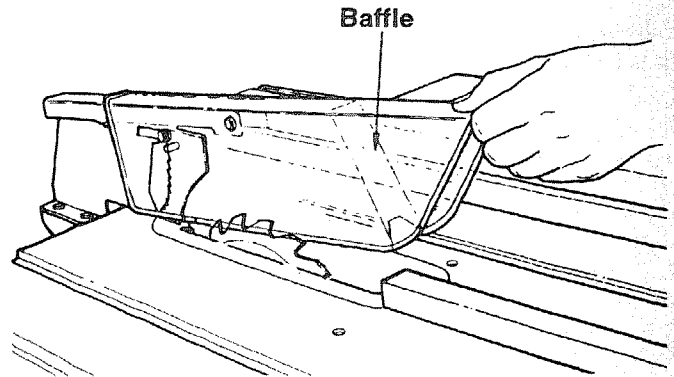
Hold the workpiece in position and install the push block by sliding it on top of the auxiliary fence/work support (this may raise guard).



## Basic Saw Operations (continued)

**WARNING:** To avoid injury from blade contact never thru-saw cuts narrower than 1/2" wide.

Narrow strips thicker than the auxiliary fence/work support may enter the guard and strike the baffle. Carefully raise guard only enough to clear the workpiece. Use push block to complete cut.



### Bevel Ripping Narrow Work

When bevel ripping material 6" or narrower, use fence on the right side of the blade only. This will provide more space between the fence and the sawblade for use of a push stick. If the fence is mounted to the left, the sawblade guard may interfere with proper use of a push stick.

### Using Featherboards for Thru-Sawing

Featherboards are not employed for thru-sawing operations when using the miter gauge.

Featherboards are used to keep the work in contact with the fence and table as shown, and to help stop kickbacks.

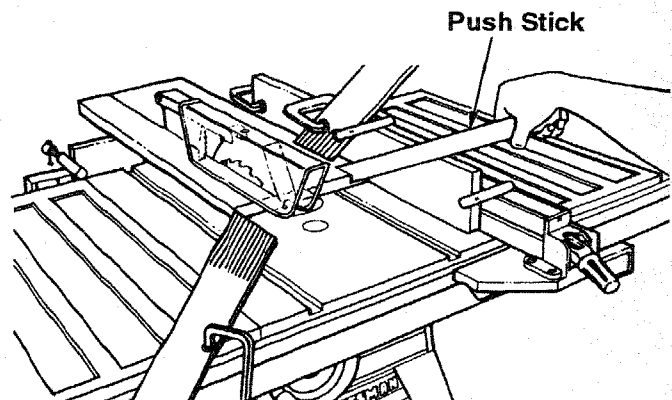
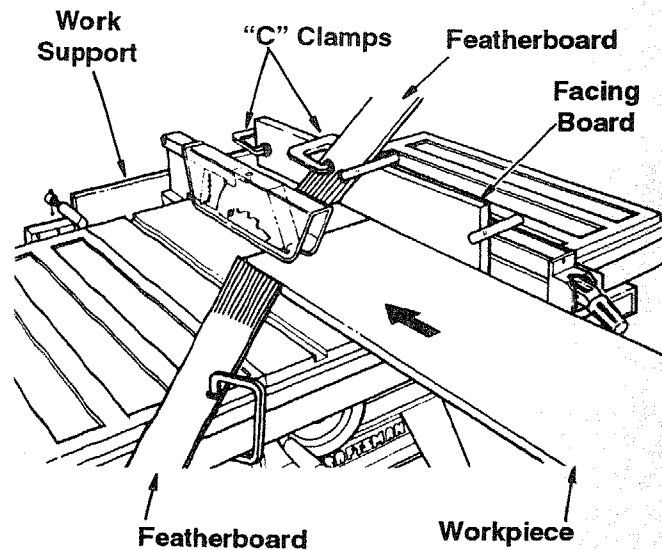
Add a 7-1/2" high flat facing board to the fence, the full length of the fence.

Mount featherboards to facing board and table as shown, so that leading edges of featherboards will support workpiece.

**WARNING:** Make sure the featherboard against the edge presses only on the uncut portion (in front of the blade). It might otherwise pinch the blade in the kerf and cause a kickback.

Before starting the operation (switch "OFF" and blade below table surface):

1. Install featherboards so they exert pressure on the workpiece; be positive they are securely attached.
2. Make sure by trial that the featherboards will stop a kickback if one should occur.



## Using Featherboards for Non Thru-Sawing

Featherboards are not employed during non thru-sawing operations when using the miter gauge.

Use featherboards for all other non thru-sawing operations (when sawblade guard must be removed). Featherboards are used to keep the work in contact with the fence and table as shown and to stop kickbacks.

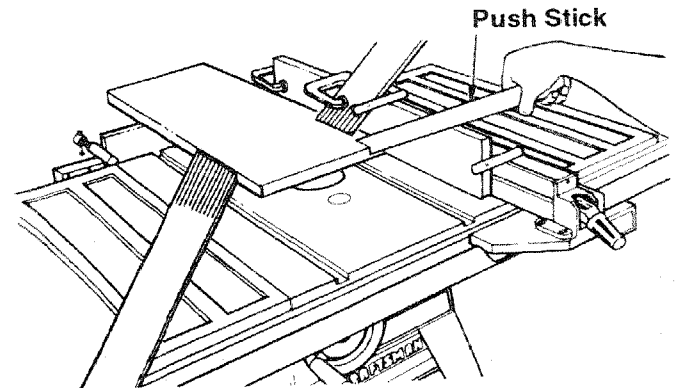
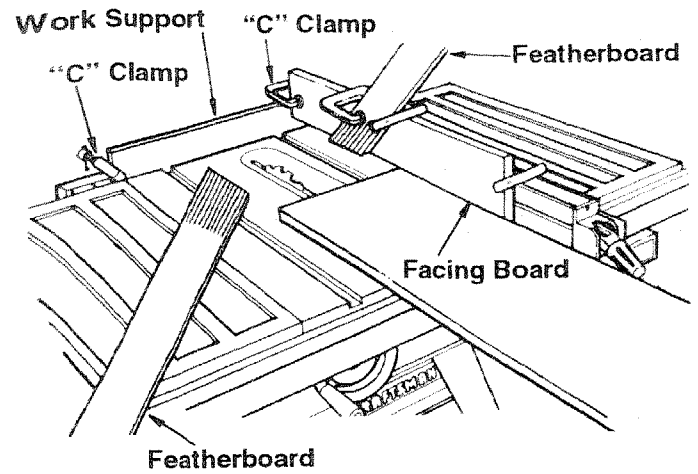
Add a 7-1/2" high flat facing board to the fence, the full length of the fence.

Mount featherboards to facing board and table as shown, so that leading edges of featherboards will support workpiece until cut is complete, and the workpiece has been pushed completely past the cutter (sawblade, dado-head, etc.) with a push stick, as in ripping.

Before starting the operation (switch "OFF" and blade below table surface):

1. Install featherboards so they exert pressure on the workpiece; be positive they are secure.
2. Make sure by trial the featherboards will stop a kickback if one should occur.

**WARNING:** For your own safety, replace the sawblade guard as soon as the non thru-sawing operation is complete.



## Resawing

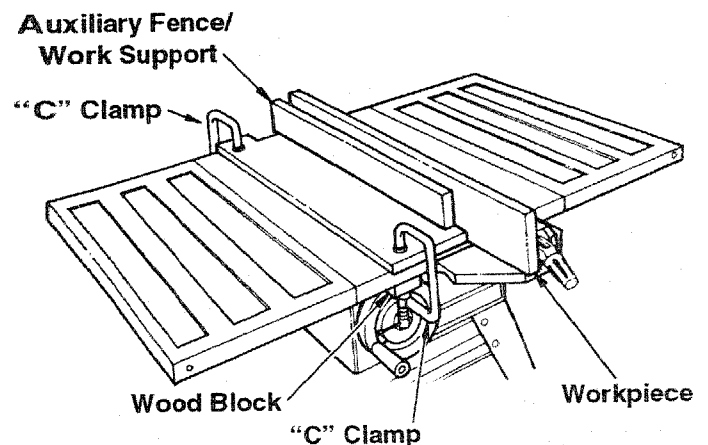
Resawing is a rip cut made in a piece of wood through its thickness. The piece is typically positioned on its edge. If the piece is narrower than 3-3/8" it can be resawn in one pass with the blade guard in place. Extra supports or fixtures will be required when the edge resting on the table is too narrow for the piece to be stable and when the fence interferes with the blade guard. (See method described below)

**WARNING:** Do not attempt to resaw bowed or warped material. It can't be properly supported. It could kickback or bind.

**NOTE:** To resaw a piece of wood wider than 3-3/8", or a piece needing extra support, it will be necessary to remove the blade guard and use the auxiliary fence/work support. (See "Workfeed Devices".)

Clamp the auxiliary fence/work support to the table so that the workpiece will slide easily without binding between the two fences and it will not tilt or move sideways.

Do not clamp directly to the bottom edge of the table because the "swivel" of the clamp will not grip properly. Place a small block of wood between the bottom edge of the table and the "C" clamp.



**WARNING:** For your own safety

1. Do not "Backup" (reverse feeding) while resawing because this could cause a kickback.
2. Make first pass to a depth slightly more than one half the width of the board.
3. Keeping the same face of board against the fence rotate it end over end and make the second pass.

**WARNING:** For your own safety, install blade guard immediately upon completion of the resawing operation.

## Basic Saw Operations (continued)

### Dadoing

Instructions for operating the dado head are contained in booklet furnished with the dado head.

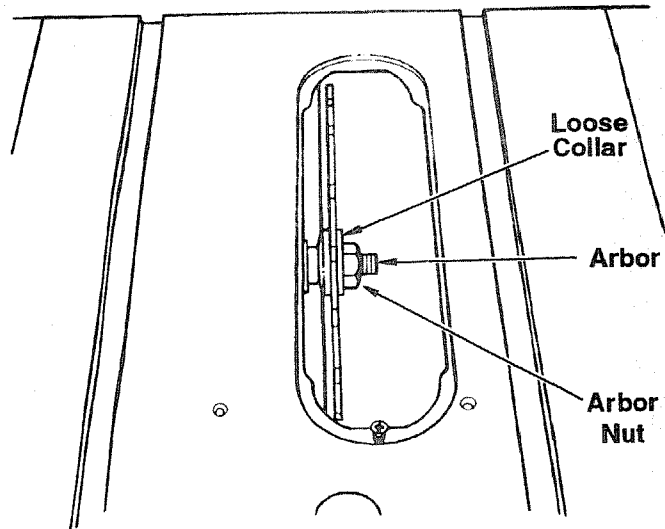
The arbor on the saw, is long enough so that the widest cut that can be made is 13/16" wide.

It is not necessary to install the outside loose collar before screwing on the arbor nut. Make sure the arbor nut is tight.

**WARNING: For your own safety, always use dado insert listed under recommended accessories.**

When using the dado head, it will be necessary to remove the blade guard and spreader. Use caution. Use miter gauge, fence, featherboards or push sticks as required.

**WARNING: For your own safety, always replace the blade, table insert, guard and spreader when you are finished dadoing.**



### Rabbeting

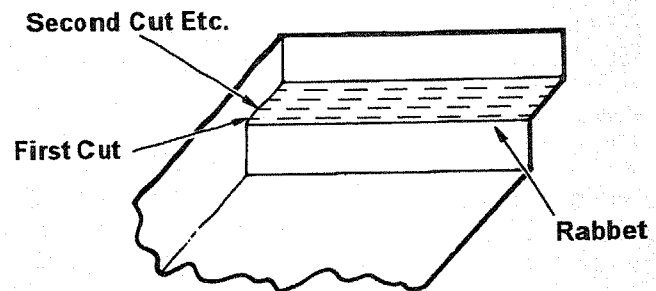
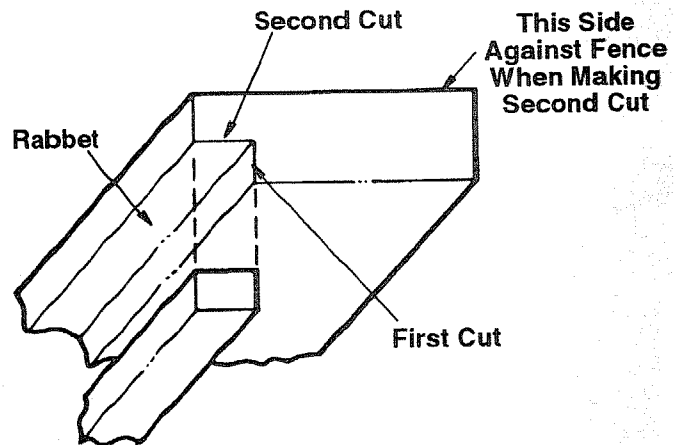
Rabbeting is known as cutting out a section of the corner of a piece of material, across an end or along an edge.

To make a rabbet requires cuts which do not go all the way through the material. Therefore, the blade guard must be removed.

1. Remove blade guard.
2. For rabbeting along an edge (long way of workpiece) as shown add facing to rip fence approximately as high as the workpiece is wide. Adjust rip fence and blade to required dimensions; then make first cut with board flat on table as any rip (type) cut; make second cut with workpiece on edge. Follow all precautions, safety instructions, and operational instructions as for ripping, or rip type operations, including featherboards and push stick, etc.
3. For rabbeting across an end, for workpiece 10-1/2" and narrower, make the rabbet cut with the board flat on the table. Using the miter gauge fitted with a facing, follow the same procedures and instructions for cross cutting making successive cuts across the width of the workpiece to obtain the desired width of cut. Do not use the rip fence for rabbeting across the end.

**WARNING: For your own safety, install blade guard immediately upon completion of rabbeting operation.**

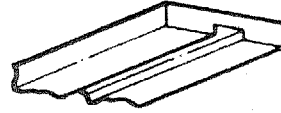
Some rabbet cuts can also be made in one pass of the workpiece over the cutter using a dado head.



## Ploughing and Molding

Ploughing is grooving with the grain the long way of the workpiece, using the fence. Use featherboards and push sticks as required.

Molding is shaping the workpiece with the grain the long way of the workpiece, using the fence. Use featherboards and push sticks as required.



Ploughing

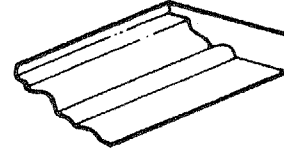
## Molding Cutting

Instructions for operating the molding head are contained in a booklet furnished with the molding head.

**Always use the molding insert listed under recommended accessories.**

When using the molding head it will be necessary to remove the blade guard and spreader. Use caution. Use miter gauge, fence, featherboards, or push sticks, etc., as required.

**WARNING: For your own safety, always replace the blade guard and spreader when you finished ploughing or molding.**



Molding

## Adjustments

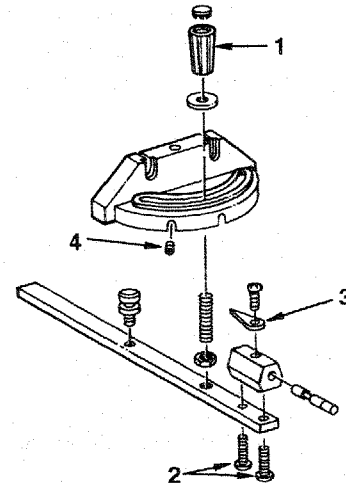
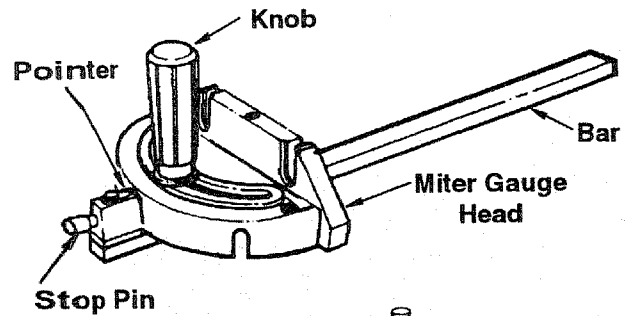
**WARNING: For your own safety, turn switch "OFF" and remove plug from power source outlet before making any adjustments.**

### Miter Gauge

**NOTE:** The slots for the stop pin and the graduations are manufactured to very close tolerances which provide accuracy for average woodworking. In some cases where extreme accuracy is required, when making angle cuts, for example, make a trial cut and then recheck it.

If necessary, the miter gauge head can be swiveled slightly to compensate for any inaccuracy.

1. Loosen the "knob" and pull "stop pin" out.
2. Swivel the head, position it at "0", push the stop pin in, lock the handle.
3. The head should be square with the bar and the pointer should point to "0". Readjust the pointer if necessary.
4. If the head is not square with the bar, adjustments are required.
  - A. Loosen the "knob" (1) and the "two screws" (2).
  - B. Position the head square with the bar using a combination square. Tighten knob.
  - C. Push the stop pin into the slot in the head and twist it.
  - D. Recheck with the square. If the head is still not square, loosen the screws (2) and readjust the indicator block.
  - E. With the head square with the bar and the pin pushed into the slot, tighten the screws (2) and adjust the pointer (3) to point to "0".



F. The miter gauge head must rest on top of the bar without being able to move up and down, yet is must swivel freely.

G. The swiveling movement of the head can be adjusted by tightening or loosening the setscrew (4) using a 1/8 inch hex "L" wrench.

**NOTE:** The setscrew is located inside of the head. To reach it, swivel the head to 60° and turn the miter gauge upside down.

## Adjustments (continued)

### Heeling Adjustment or Parallelism of Sawblade to Miter Gauge Groove

While cutting, the material must move in a straight line parallel to the sawblade. Therefore, both the miter gauge groove and the rip fence must be parallel to the sawblade.

**WARNING:** The blade must be parallel to the miter gauge groove. Misaligned blades could bind on workpiece. Workpiece could suddenly kickback. You could be cut or hit.

If the sawblade is not parallel to the miter gauge groove, the blade will bind at one end of the cut. This is known as "Heeling").

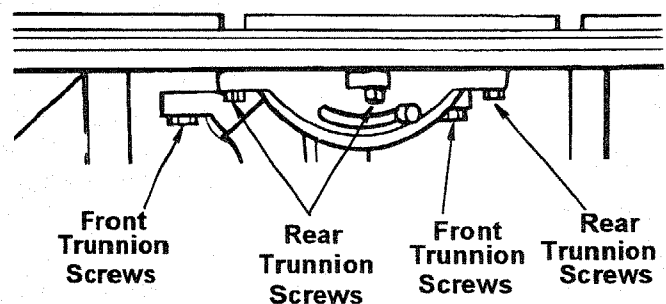
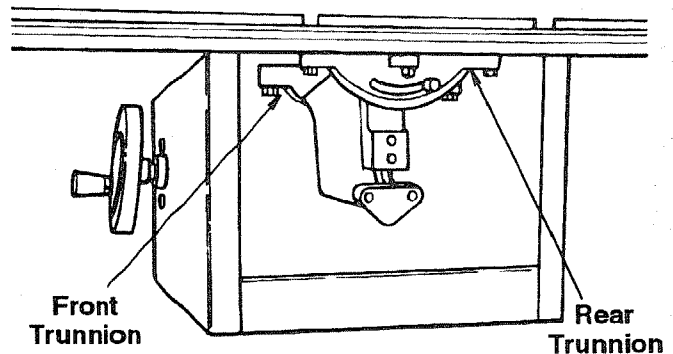
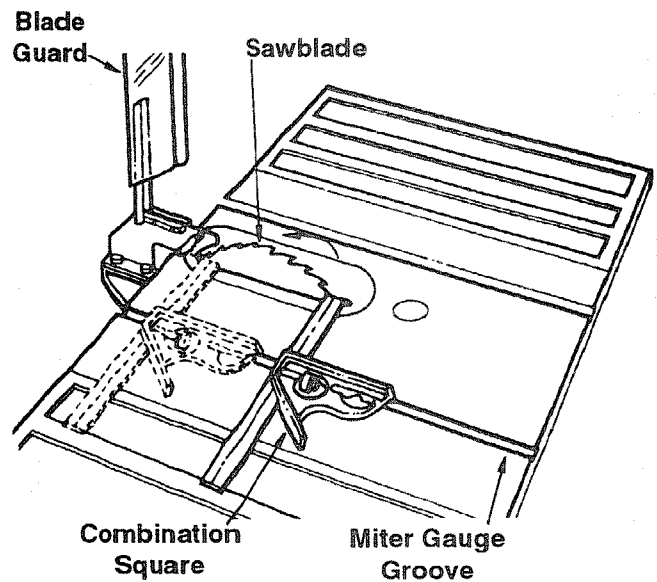
**WARNING:** To avoid injury from accidental start, make sure switch is "OFF" and plug is not connected to power source outlet.

#### To check for parallelism:

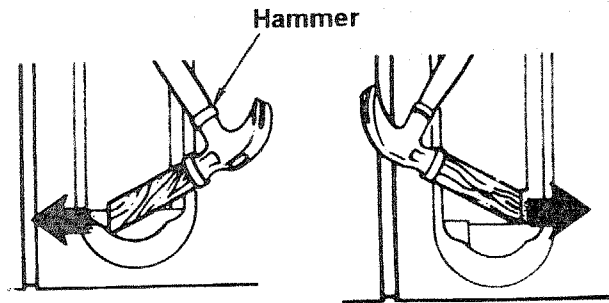
1. Raise blade all the way up, raise blade guard.
2. Mark an "X" on one of the teeth which is set (bent) to the left.
3. Place the head of a combination square in the groove. Adjust blade of square so that it just touches the tip of the marked tooth.
4. Move square to rear, rotate blade to see if marked tooth again touched blade of square.
5. If tooth touches square at front and rear sawblade is parallel to miter gauge groove.
6. If tooth does not touch the same amount, the mechanism underneath must be adjusted to make the blade parallel to groove.
  - A. Rear trunnion must be moved toward to combination square if there is a space between marked tooth and end of square in step 4.
  - B. Rear trunnion must be moved away from the square if marked tooth pushed square out of position in the groove.
7. Loosen all three screws that hold the rear trunnion and all three screws that hold the front trunnion.

**WARNING:** When reaching under table sawblade, the teeth may be contacted causing injury. Wear glove or remove blade.

**NOTE:** All six screws can be reached through back of saw. Use a 9/16 inch wrench. To reach left-hand front trunnion screw, tilt blade to 45°. After loosening screws, reposition blade at 90°.



8. Remove the table insert and lower the blade completely. The front and rear trunnion can be accessed for adjustments through the insert opening.
9. Using a wood block and hammer, as shown, move rear trunnion to right or left as required to realign the blade. If necessary, shift front trunnion in similar manner, but do not move front trunnion unless necessary. Raise blade and recheck the alignment with the square, then securely retighten all six trunnion screws. Replace insert.



### Blade Tilt, or Squareness of Blade to Table

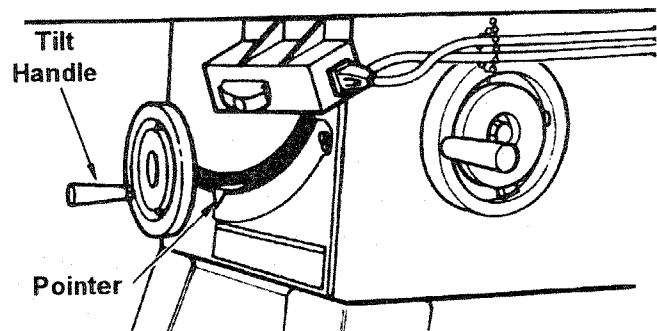
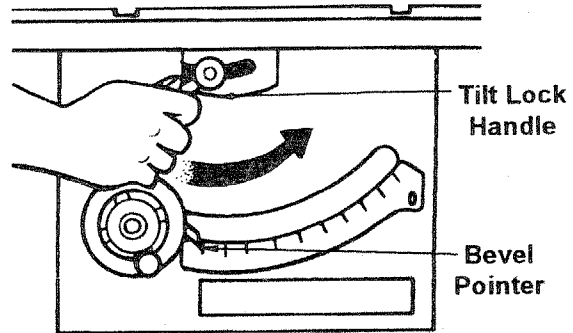
When the bevel pointer is pointing directly to the "0" mark on the bevel scale, the sawblade should make a square cut 90° to the table.

**WARNING: For your own safety, turn switch "OFF" and remove plug from power source outlet.**

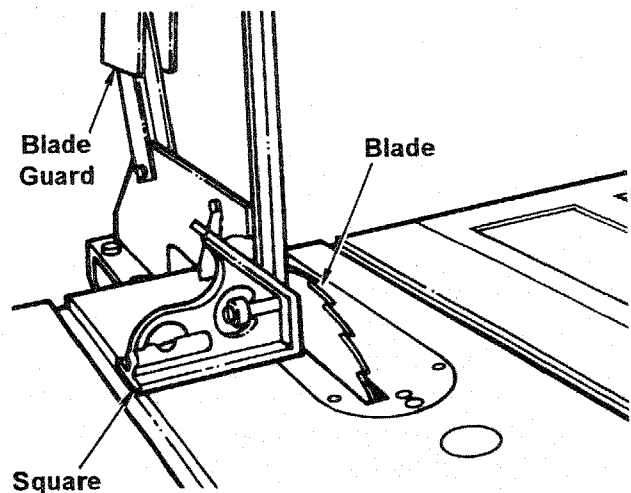
#### To check for squareness, 90° position.

1. Raise blade all the way up, raise blade guard.
2. Operate the tilt lock handle (counterclockwise) to loosen the tilt clamp screw.
 

**NOTE:** Handle is spring loaded for engagement with screw head - must be pushed inward for disengagement whenever necessary to obtain a new grip on screw head.
3. Rotate tilt handwheel clockwise a few turns to tilt blade. Now, rotate handwheel counterclockwise until it stops. Blade should now be square with table and pointer should point to "0".



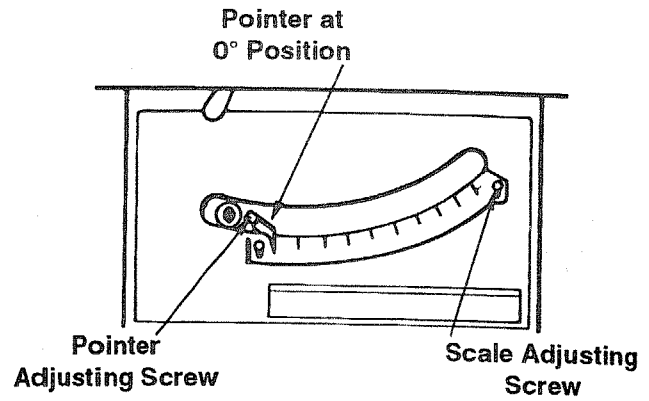
4. Place the square against blade. Make sure square is not touching the tip of one of the saw teeth.



# Adjustments (continued)

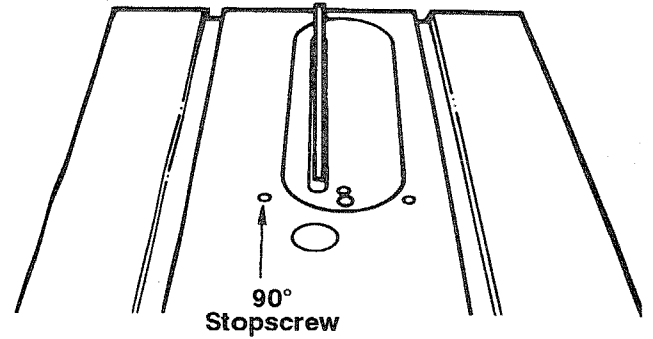
## A. If blade is square to table

1. Check pointer. If pointer does not point to the "0" mark on the bevel scale, the pointer must be adjusted.
  - a. Remove elevation handwheel.
  - b. Loosen screw and adjust pointer using medium screwdriver.
  - c. Install elevation handwheel.



## B. If blade is not square to table, the 90° stop screw must be adjusted.

1. Unscrew 90° stop screw three to four turns using 3/16 inch hex "L" wrench.
2. Turn tilt handwheel clockwise one turn, then turn handwheel counterclockwise until blade is square with table.
3. Screw 90° stop screw in until it stops. Check once again for squareness and readjust screw, if necessary.
4. Check pointer as described in step A above.



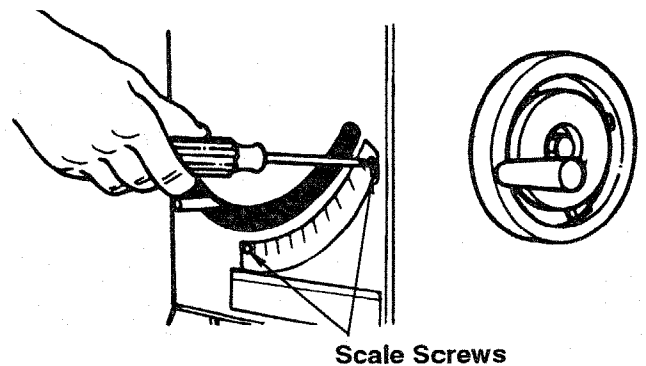
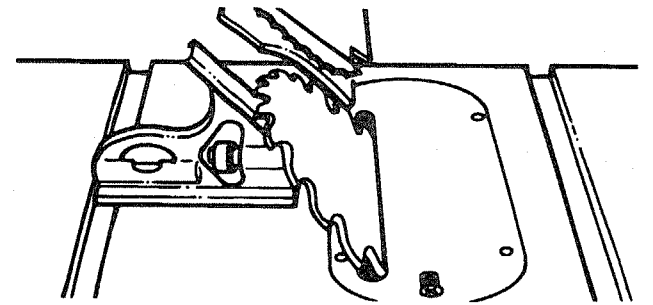
## To check for alignment, 45° Position

Tilt blade to left as far as it will go.

1. Place an accurate square against blade. Make sure square is not touching the tip of one of the saw teeth.

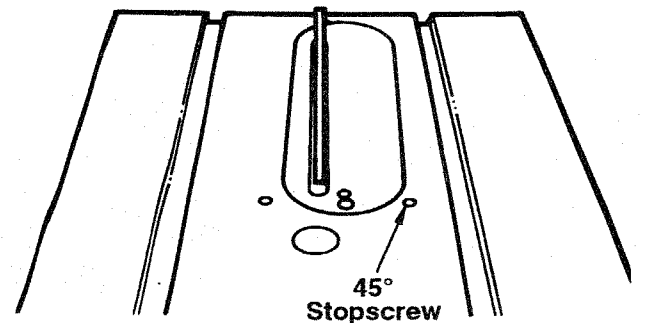
## A. If blade is 45° to table;

1. Check pointer. If pointer does not point to the 45° mark on the scale, the scale must be adjusted.
2. Remove elevation handwheel.
3. Loosen two screws on scale and adjust scale until pointer points to 45° mark.
4. Install elevation handwheel.



## B. If blade is not 45° to table, stop screw and scale must be adjusted.

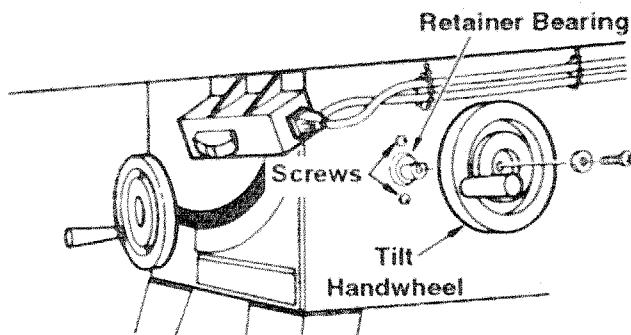
1. Unscrew 45° stop screw three to four turns using 3/16 inch setscrew wrench.
2. Turn tilt handwheel until blade is 45° to the table.
3. Screw 45° stop screw in until it stops. Check once again and readjust screw, if necessary.
4. Check pointer as described in step A above.



## Tilt Mechanism

The handwheel should turn freely without binding. The turning action can be adjusted by tightening or loosening the screws in the bearing retainer.

**NOTE:** Tilt handwheel must be removed to adjust. When adjusting the screws in the bearing retainer, hold the nut inside using a 3/8 inch wrench.



## Maintaining Your Table Saw

### Maintenance

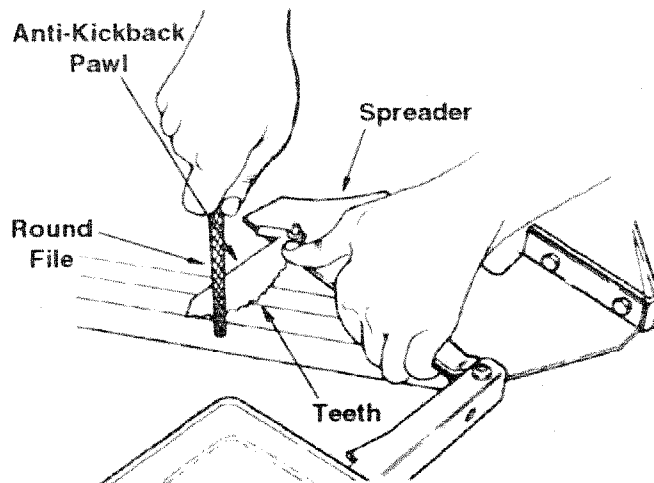
**WARNING:** For your own safety, turn switch "OFF" and remove plug from power source outlet before maintaining or lubricating your saw.

- Do not allow sawdust to accumulate inside the saw. Frequently blow out any dust that may accumulate inside the saw cabinet and the motor.
- Clean your cutting tools with a gum and pitch remover.
- The cord and the tool should be wiped with a dry clean cloth to prevent deterioration from oil and grease.
- A coat of automobile-type wax applied to the table will help to keep the surface clean and allow workpieces to slide more freely.
- If the power cord is worn, cut, or damaged in any way, have it replaced immediately.

### Anti-Kickback Pawls

Make sure the teeth of the anti-kickback pawls are always sharp. To sharpen:

1. Remove blade guard.
2. Rotate pawl toward rear of spreader so that teeth are above top of spreader.

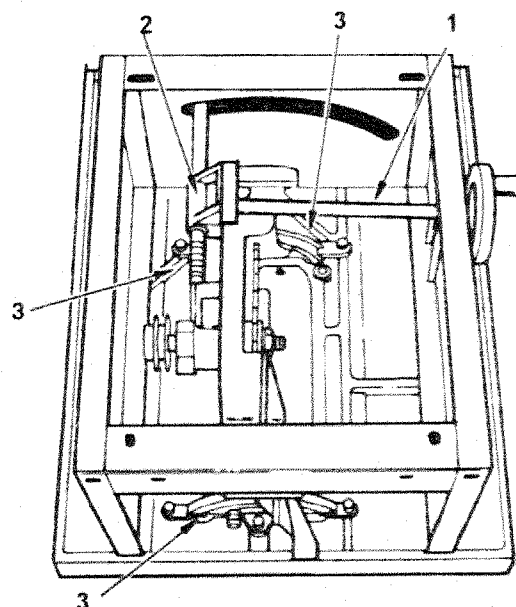
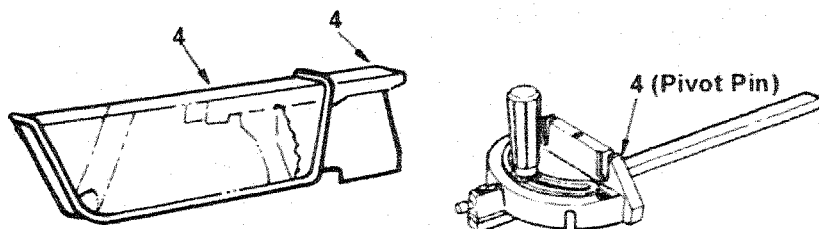


3. Hold spreader with left hand and place pawl over corner of workbench as shown.
4. Using a small round file (smooth cut) sharpen the teeth.
5. Reinstall blade guard

### Lubrication

The saw motor bearings and gear case have been packed at the factory with proper lubricant and require no additional lubrication. The following parts should be oiled occasionally with SAE no. 20 or no. 30 engine oil.

1. Tilt screw threads and pivot not. (First clean with a solvent recommended for gum and pitch removal.)
2. Elevation screw threads and pivot nuts. (First clean with a solvent recommended for gum and pitch removal.)
3. Cradle bearing points.
4. Bearing points in blade guard assembly, miter gauge and rip fence.



# Sears Recommends the Following Accessories

Sears Recommends the Following Accessories

Item	Cat. No.
Caster Sets.....	See Catalog
7 In. Molding Head Set.....	See Catalog
7 In. Molding head.....	See Catalog
8 In. Molding Head.....	See Catalog
Molding/Dado Insert for 7 In. Dia. Molding or Dado Head.....	9-29997
Molding/Dado Insert for 8 IN. Dia. Molding or Dado Head.....	9-22287
Work Light.....	See Catalog
8 In. & 7 In. Dia. Adjustable Dado Head.....	See Catalog
7 In. Dia. Dado Head.....	See Catalog
Sanding Wheel.....	See Catalog
Sawdust Collector.....	9-29962
Whole Shop Sawdust Collector Kit.....	9-29964
Replacement Handwheels.....	9-22260
Cast Iron Extensions.....	9-22261
Storage Hooks (Miter Gauge/Rip Fence).....	9-32038

Item	Cat. No.
Miter Gauge.....	9-29930
Miter Gauge Stop Rods.....	9-29924
Miter Gauge Hold-Down Clamp.....	9-29928
Taper Jig.....	See Catalog
Universal Jig.....	See Catalog
Power Tool Know How Handbook.....	9-29114
Exacti-Rip-Fence.....	9-29901
XR-2424 Rip Fence.....	9-29902

Sears may recommend other accessories not listed in manual.

See your nearest Sears store for other accessories.

Do not use any accessory unless you have received and read complete instructions for its use.

**WARNING: Use only accessories recommended for this saw. Using other accessories may be dangerous.**

## Troubleshooting

**WARNING: For your own protection, turn switch "OFF" and always remove plug from power source outlet before troubleshooting.**

### General

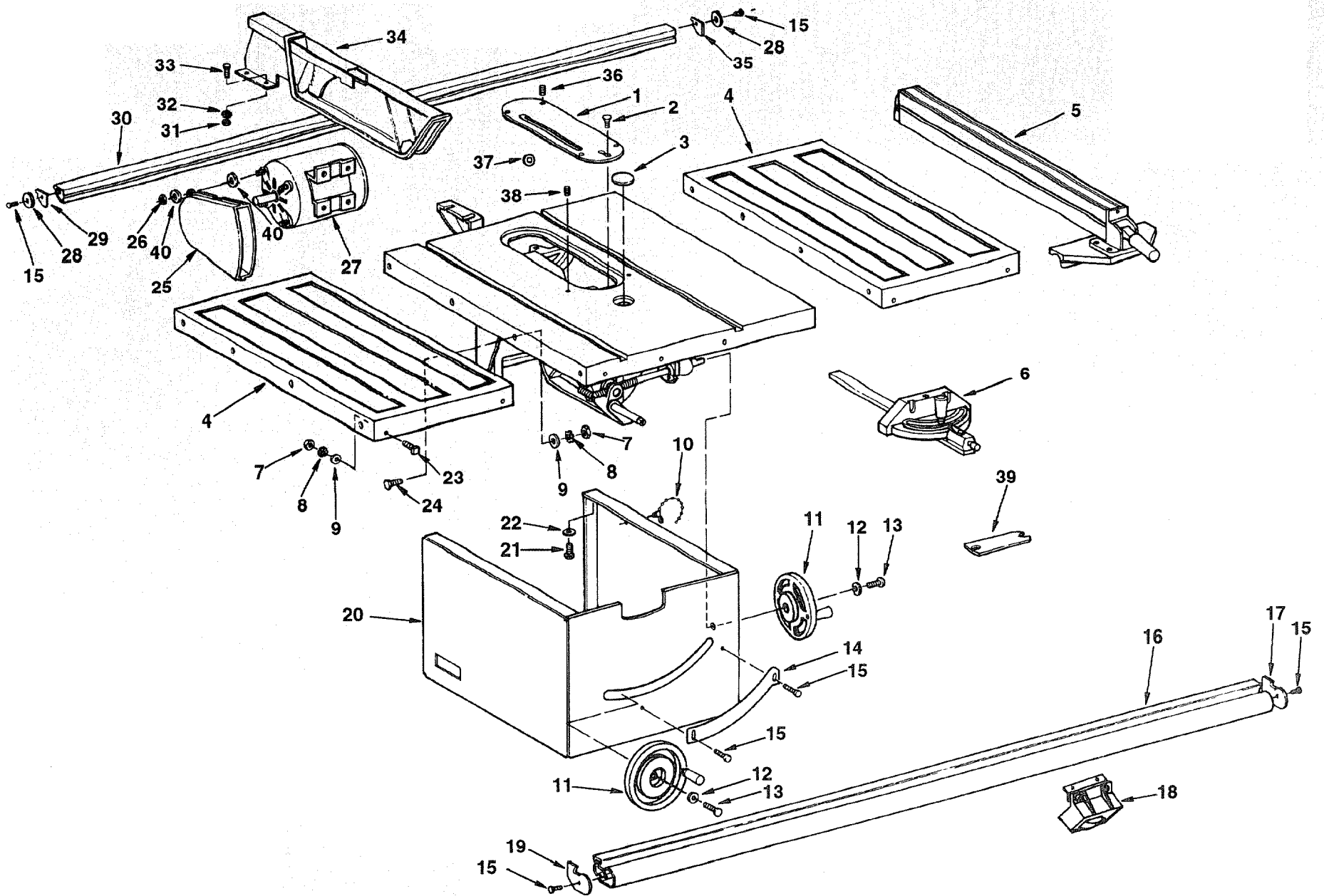
Trouble	Probable Cause	Remedy
Excessive Vibration	1. Blade out of balance 2. Belt damaged	1. Discard blade and use a different blade. 2. Replace V-Belt.
Cannot make square cut when crosscutting.	1. Miter gauge not adjusted properly.	1. See "Adjustments" section "Miter Gauge."
Cut binds, burns or stalls motor when ripping.	1. Dull blade or improper tooth set. 2. Blade is heeling. 3. Warped board 4. Rip fence not parallel to blade. 5. Spreader out of alignment.	1. Sharpen or replace blade. 2. See "Adjustments" section, "Heeling Adjustment". 3. Make sure concave or hollow side is facing "down" feed slowly. 4. See "Assembly" section, "Aligning Rip Fence." 5. See "Assembly" section, "Installing Blade Guard."
Cut not true at 90° or 45° positions.	1. Indexes not properly adjusted.	1. See "Adjustment" section, "Blade Tilt, or Squareness of Blade to Table".
Tilt and elevating hand-wheel turn hard.	1. Sawdust on threads of tilt screw or elevating screw. 2. Bearing retainers too tight.	1. See "Maintenance" and "Lubrication" sections. 2. See "Maintenance" section, "Tilt and Elevation Mechanism"

## Motor

**NOTE:** Motors used on wood working tools are particularly susceptible to the accumulation of sawdust and wood chips and should be blown out or "Vacuumed" frequently to prevent interference with normal motor ventilation.

Trouble	Probable Cause	Remedy
Excessive Noise	1. Motor	1. Have motor checked by qualified service technician. Repair service is available at your nearest Sears store.
Motor fails to develop full power. <b>NOTE:</b> Low Voltage: (Power output of motor decreases rapidly with decrease in voltage at motor terminals. For example, a reduction of 10% in voltage causes a reduction of 19% in maximum power output of which the motor is capable, and a reduction of 20% in voltage causes a reduction of 36% in maximum power output.)	<ol style="list-style-type: none"> <li>1. Circuit overloaded with lights, appliances and other motors.</li> <li>2. Undersize wires or circuit too long.</li> <li>3. General overloading of power company facilities. (In some sections of the country, demand for electrical power may exceed the capacity of existing generating and distribution systems.)</li> <li>4. Incorrect fuses or circuit breakers in power line.</li> </ol>	<ol style="list-style-type: none"> <li>1. Do not use other appliances or motors on same circuit when using the saw.</li> <li>2. Increase wire sizes, or reduce length of wiring. See "Motor Specifications and electrical Requirements" section.</li> <li>3. Request a voltage check from the power company.</li> <li>4. Install correct fuses or circuit breakers.</li> </ol>
Motor starts slowly or fails to come up to full speed	<ol style="list-style-type: none"> <li>1. Low voltage.</li> <li>2. Windings burned out or open.</li> <li>3. Starting switch not operating</li> </ol>	<ol style="list-style-type: none"> <li>1. Request voltage check from the power company.</li> <li>2. Have motor repaired or replaced.</li> <li>3. Have switch replaced.</li> </ol>
Motor overheats	<ol style="list-style-type: none"> <li>1. Motor overloaded</li> <li>2. Improper cooling. (Air circulation restricted through motor due to sawdust, accumulating inside of saw.)</li> </ol>	<ol style="list-style-type: none"> <li>1. Feed work slower into blade.</li> <li>2. Clean out sawdust to provide normal air circulation through motor. See "Maintenance" and "Lubrication" section.</li> </ol>
Starting switch in motor will not operate	<ol style="list-style-type: none"> <li>1. Burned switch contacts (due to extended hold-in periods caused by low line voltage, etc.)</li> <li>2. Shorted capacitor (when equipped)</li> <li>3. Loose or broken connections.</li> </ol>	<ol style="list-style-type: none"> <li>1. Have switch replaced and request a voltage check from the power company.</li> <li>2. Have capacitor tested and replace if defective.</li> <li>3. Have wiring checked and repaired.</li> </ol>
Motor stalls (resulting in blown fuses or tripped circuit breakers)	<ol style="list-style-type: none"> <li>1. Starting switch not operating.</li> <li>2. Voltage too low to permit motor to reach operating speed.</li> <li>3. fuses or circuit breakers do not have sufficient capacity.</li> </ol>	<ol style="list-style-type: none"> <li>1. Have switch replaced.</li> <li>2. Request voltage check from the power company.</li> <li>3. Install proper size fuses or circuit breakers.</li> </ol>
Frequent opening of fuses or circuit breakers	<ol style="list-style-type: none"> <li>1. Motor overloaded</li> <li>2. Fuses or circuit breakers do not have sufficient capacity.</li> <li>3. Starting switch not operating (motor does not reach speed.)</li> </ol>	<ol style="list-style-type: none"> <li>1. Feed work slower into blade.</li> <li>2. Install proper size fuses or circuit breakers.</li> <li>3. Have switch replaced.</li> </ol>

Parts List for Craftsman 10 Inch Table Saw  
 Model No. 113.299315  
 Figure 1



**Parts List for Craftsman 10 Inch Table Saw  
Model No. 113.299315**

**Figure 1**

Always Order by Part Number - not by Key Number

Key No.	Part No.	Description
1	62703	Insert (Includes Key #36)
2	447441	Screw Flat Hd 10-32 x 1
3	62493	Insert Exact-I-Cut
4	824351	Extension Table 12 x 27
5	— — —	Fence Asm (See Fig 4)
6	— — —	Miter Gauge (See Fig 5)
7	STD541231	* Nut Hex 5/16-18
8	STD551231	* Lockwasher 5/16
9	STD551031	* Washer 21/64 x 5/8 x 1/16
10	71165	Tie Wire
11	820452	Handwheel
12	STD551210	* Lockwasher #10
13	809372-7	Screw Pan Hd 10-32 x 5/8
14	818548	Scale Adjustable Bevel
15	STD600805	* Screw Pan Hd Ty "AB" 8 x 1/2
16	824345-1	Rail Front w/Scales
17	824339	Cap Front Rail Right
18	— — —	Switch Box (See Fig 1)
19	824341	Cap Front Rail Left
20	810774-1	Base
21	60077	Screw Hex Hd 3/8-16 x 1/2

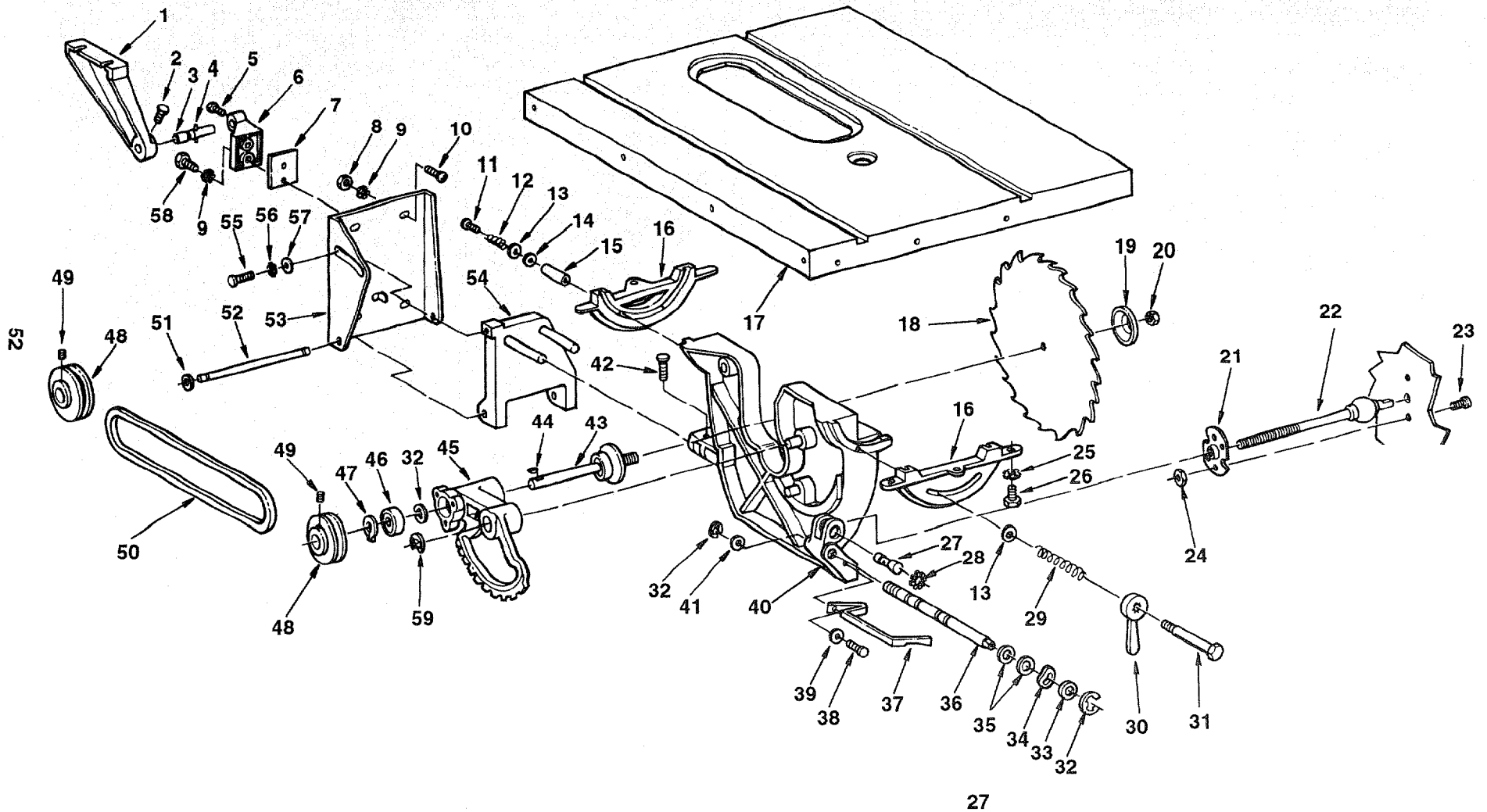
\* Standard Hardware Item - May be purchased locally

Key No.	Part No.	Description
22	STD551237	* Lockwasher 3/8
23	159653-38	Bolt Sq Hd 5/16-18 x 1
24	STD523712	* Screw Hex Hd 5/16-18 x 1-1/4
25	824360	Guard Belt
26	STD541110	* Nut 10-32
27	824377	• Motor
28	805548-11	Washer 3/16 x 1 x 1/16
29	824373	Cap Rear Rail Left
30	824340-1	Rail Rear
31	STD541025	* Nut Hex 1/4-20
32	STD551225	* Lockwasher 1/4
33	STD522506	* Screw Hex Hd 1/4-20 x 5/8
34	— — —	Guard Assembly (See Fig 6)
35	824372	Cap Rear Rail Right
36	104879	Screw Lock Set 10-32 x 3/16
37	818309	Washer Shim
38	818463	Screw Soc Set Oval 3/8-16 x 3/4
39	3540	Wrench, Arbor
40	STD551010	* Washer 13/64 x 3/8 x 1/32
—	SP5908	Owners Manual (Not Illustrated)

• Any attempt to repair this motor may create a hazard unless repair is done by a qualified service technician. Repair service is available at your nearest Service/Center Department.



Parts list for Craftsman 10 Inch Table Saw  
Model No. 113.299315  
Figure 2



**Parts List for Craftsman 10 Inch Table Saw  
Model 113.299315**

**Figure 2**

Always Order by Part Number - not by Key Number

Key No.	Part No.	Description
1	62587	Support, Spreader
2	60204	Screw, Thumb 5/16-18 x 1
3	62585	Rod Spreader
4	STD571812	* Pin, Roll 3/16 x 1-1/4
5	STD523106	* Screw, Hex Hd. 5/16-18 x 5/8
6	62292	Support, Guard
7	822133	Spacer, Guard Support
8	STD541031	* Nut, Hex 5/16-18
9	STD551231	* Lockwasher, External 5/16
10	STD532507	* Bolt, Carriage 5/16-18 x 3/4
11	60206	* Screw, Hex Ind. Wash. Hd. 1/4-20 x 1-1/2
12	60205	Spring
13	STD551037	* Washer, .380 x 47/64 x 3/32
14	63011	Washer, Knob Clamp
15	62295	Spacer
16	62833	Table, Trunnion
17	818319-1	Table, 10 In. Saw
18	60175	Blade, Saw In.
19	62498	Collar, Blade
20	6362	Nut, Arbor
21	62437	Retainer Bearing
22	62896	Screw, Tilt
23	STD511105	* Screw, Pan Hd. 10-32 x 3/8
24	STD541411	* Nut, Lock 10-32
25	STD551237	* Lockwasher, External 3/8
26	STD523710	* Screw, Hex Hd. 3/8-16 x 1
27	37899	Nut, Tilt
28	63054	Ring, Retaining 3/4
29	37828	Spring, Clamp Screw
30	18	Handle Clamp Screw

\* Standard Hardware Item - May be purchased locally

Key No.	Part No.	Description
31	37829	Screw, Clamp
32	STD581062	* Ring, Retaining
33	37838	Washer, .629 x 7/8 x 1/64
34	60178	Washer, Spring
35	STD302111	* O-Ring
36	62697	Screw, Lift
37	62699	Pointer
38	STD601103	* Screw, Pan Hd. Ty "T" 10-32 x 3/8
39	STD551210	* Lockwasher, External No. 10
40	62489	Cradle
41	30767	Washer, End Play (.010 Thick)
42	STD523106	* Screw, Hex Hd. 5/16-18 x 5/8
43	820048	Arbor
44	STD580025	* Key, Woodruff
45	508123	Housing, Arbor (Includes Keys 32 & 43 thru 47)
46	820015	Bearing, Saw Arbor
47	STD582062	Ring Retaining 5/8
48	STD328022	* Pulley, 5/8 x 2-1/2 (Includes Key 49)
49	STD503103	Screw, Soc Set Oval 5/16-18 x 5/16
50	STD304410	* Belt, V 1/2 x 42
51	STD581037	* Ring, Retaining 3/8
52	37823	Pin Hinge
53	37824	Base, Motor
54	37825	Support, Motor Base
55	30628	Screw, Hex, Lock 1/4-20 x 5/8
56	6423	Washer, Spring
57	STD551025	* Washer, 17/64 x 47/64 x 1/16
58	STD523110	* Screw Hex Hd 5/16-18 x 1
59	6527	Ring Retaining 3/4

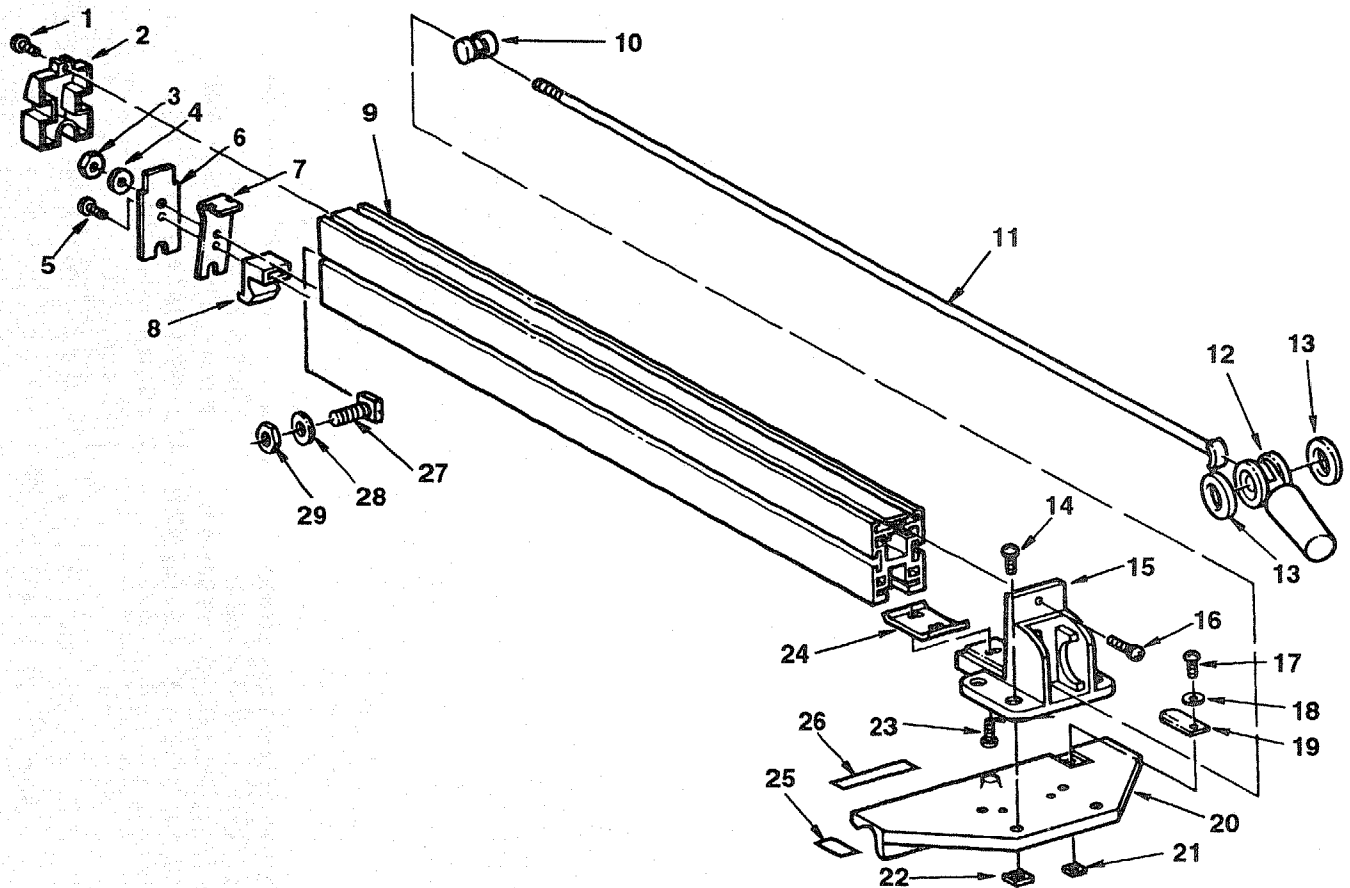
† Stock Item - May be secured through the Hardware Department of most Sears retail stores.

# Repair Parts

## Parts List for Craftsman 10 Inch Table Saw

Model No. 113.299315

Figure 3 - Fence Assembly



Always Order by Part Number - not by Key Number

Key No.	Part No.	Description
1	809492-7	Screw Pan Hd. Ty "T" 8-32 x 1-1/8
2	824350	Cap Channel Rear
3	STD541431	* Nut Lock 5/16-18
4	STD551031	* Washer 21/64 x 5/8 x 1/16
5	9416390	Screw Pan Hd. Ty "T" 10-32 x 5/8
6	824328	Plate Lock
7	824332	Spring Lock
8	824349	Slide Rear Fence
9	824346	Channel Fence
10	824329	Pin Cam
11	824342	Rod Fence Lock
12	824353	Handle Cam
13	824326	Bearing Ball Angular Contact
14	824347-2	Scr Hex Soc Butt Hd 1/4-20 x 3/4
15	824279	Housing Rip Fence
16	STD600805	* Screw Pan Hd Ty "T" 8-32 x 1/2

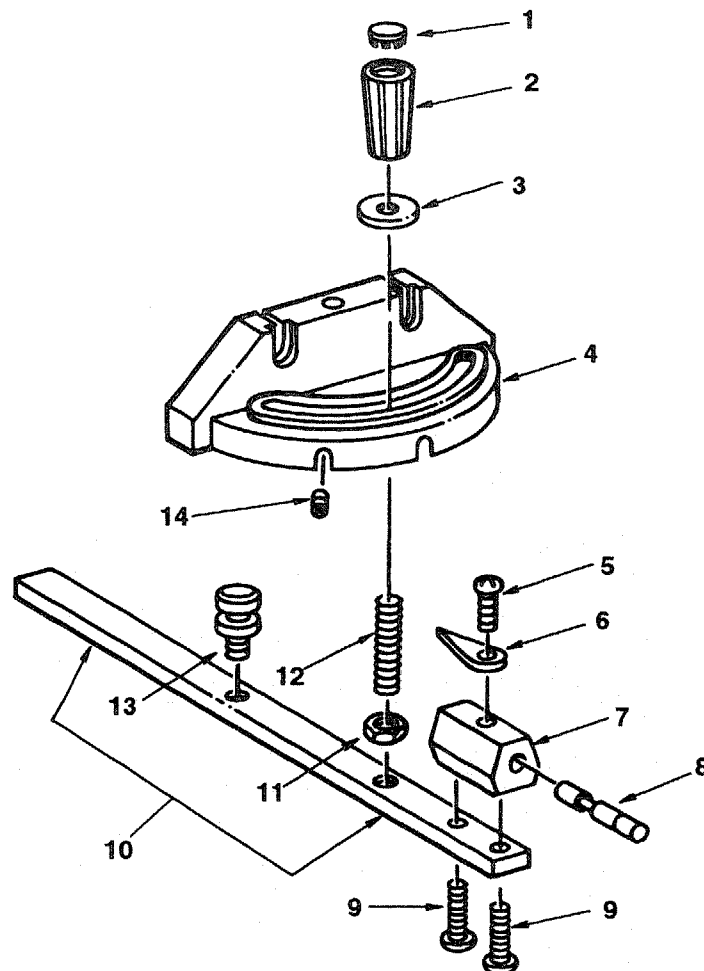
Key No.	Part No.	Description
17	STD511105	* Screw Pan Hd 10-32 x 1/2
18	60136	Washer 13/64 x 5/8 x 1/32
19	824334	Indicator
20	824343	Head
21	822138-1	Nut Sq 10-32
22	62636	Nut Sq 1/4-20
23	9422329	Screw Hex Wash Hd Ty "T" 1/4-20 x 3/4
24	824330	Plate Fence Channel
25	824335	Plastic Guide Strip Short
26	824335-1	Plastic Guide Strip Long
<b>Hardware For Attaching Wood Facing</b>		
27	159653-3	Bolt Sq. Hd. 1/4-20 x 3/4
28	STD551025	* Washer 17/64 x 5/8 x 1/16
29	STD541025	* Nut Hex 1/4-20

\* Standard Hardware Item - May be purchased locally

# Repair Parts

## Parts List for Craftsman 10 Inch Table Saw Model No. 113.299315

### Figure 4 - Miter Gauge Assembly



Always Order by Part Number - not by Key Number

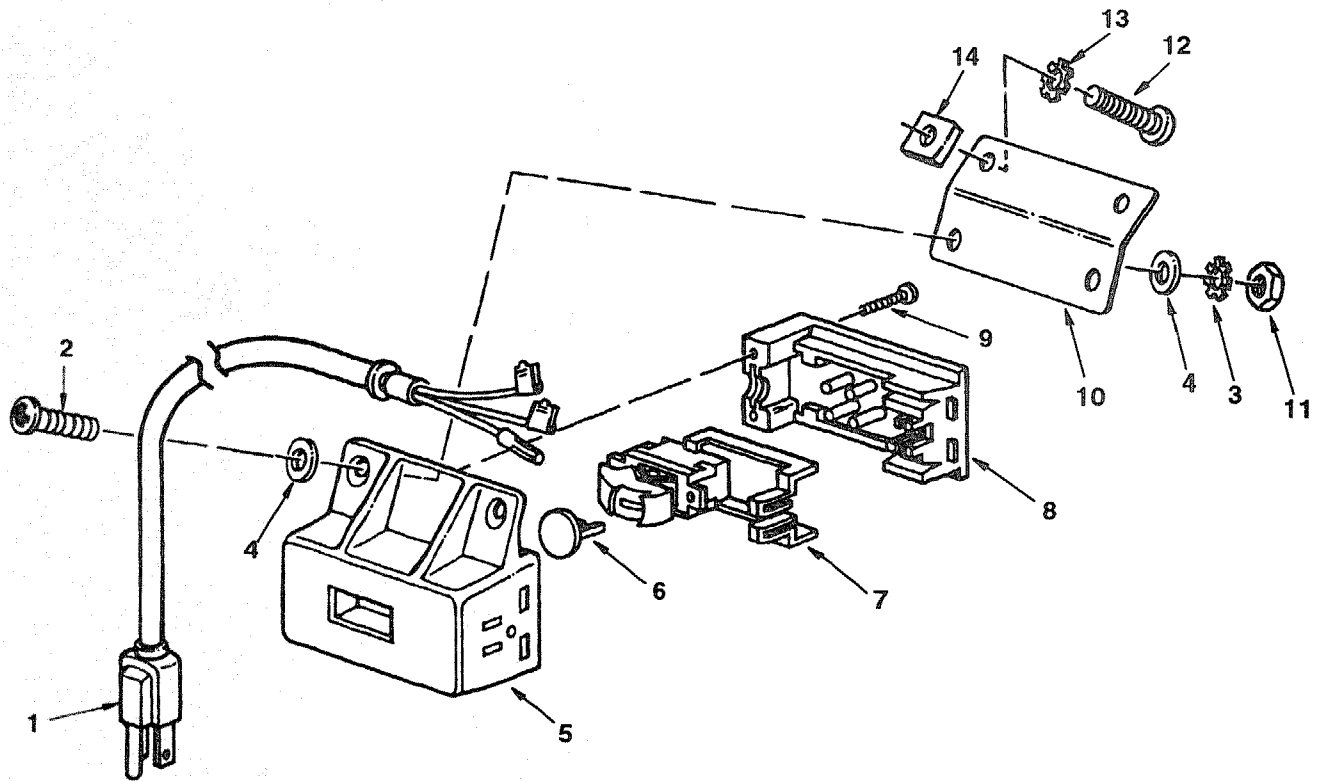
Key No.	Part No.	Description
1	62693	Plug, Button
2	62692	Knob, Miter Gauge (Includes Key No. 1)
3	STD551031	* Washer Plain, 21/64 x 1 x 1/16
4	37893	Gauge, Miter
5	STD510803	* Screw, Pan Hd. 8/32 x 5/16
6	135	Indicator
7	37895	Block, Miter Gauge Indicator
8	37896	Pin, Miter Gauge Stop
9	9417295	* Screw, Pan Hd w/Lockwasher 8-32 x 5/8
10	62230	Rod Assembly, Miter Gauge Consisting of Items 11, 12, 13
11	STD541231	* Nut Hex 5/16-18
12	62225	Stud, Clamp
13	62383	Stud, Pivot
14	60288	* Screw Pan Hd. 6-32 x 5/8

\* Standard Hardware Item - May be purchased locally

# Repair Parts

## Parts List for Craftsman 10 Inch Table Saw Model 113.299315

### Figure 5 - ON-OFF Power Outlet



Always Order by Part Number - not by Key Number

Key No.	Part No.	Description
1	508984	Cord Molded
2	STD512505	* Screw, Pan Hd. 1/4-20 x 1/2"
3	STD551225	* Lockwasher 1/4
4	STD551025	* Washer 17/64 x 5/8 x 1/16
5	822207	Housing Switch
6	9-22255	† Key, Switch
7	60374	Switch Locking
8	822205	Cover, Switch
9	448007	Screw Pan Hd #6 x 3/4
10	824378	Plate, Switch
11	STD541025	* Nut Hex 1/4-20
12	STD511103	* Screw Pan Hd 10-32 x 3/8
13	STD551210	* Lockwasher #10
14	822138-1	Nut Square 10-32

\* Standard Hardware Item - May be purchased locally

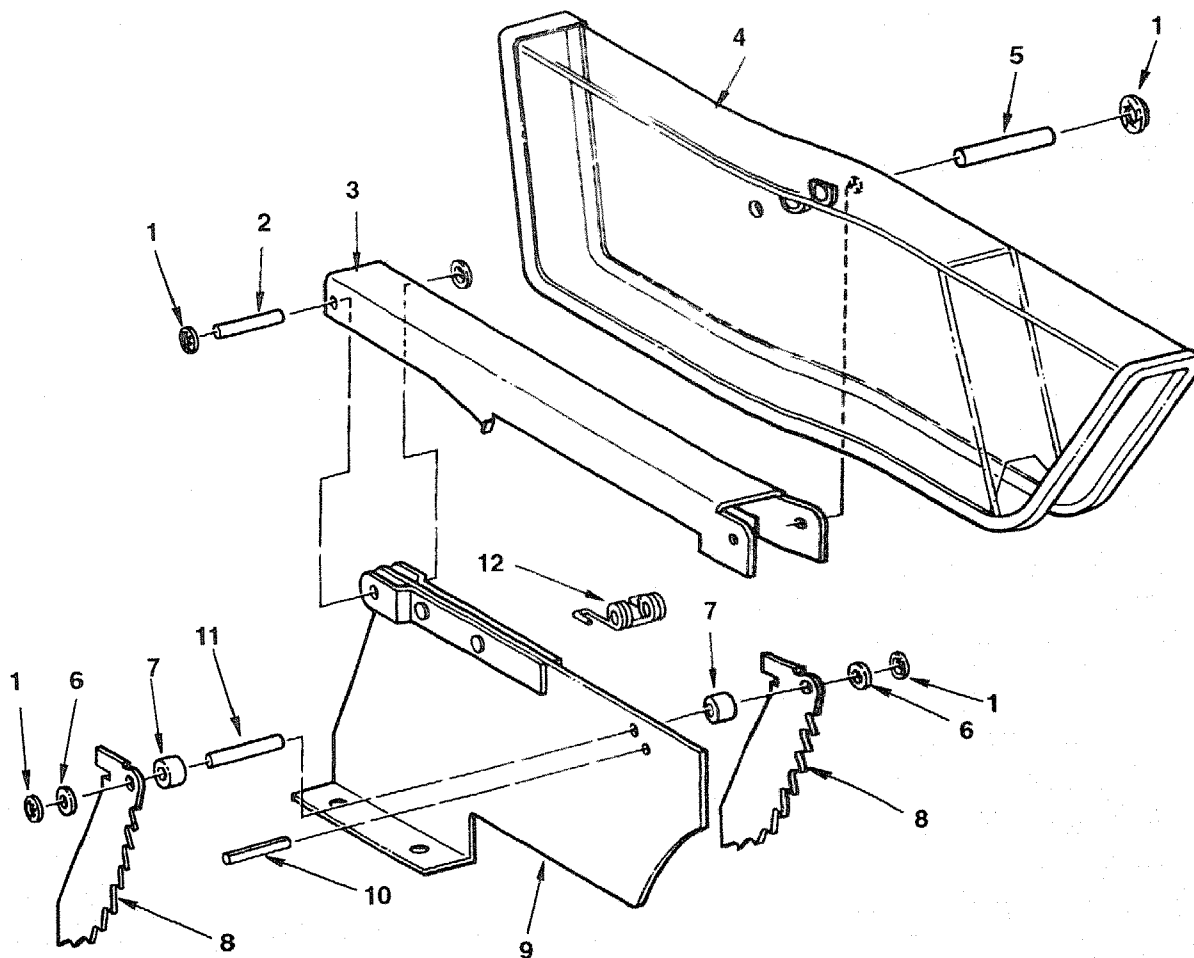
† Stock Item - May be secured through the hardware department of most Sears Retail Stores.

# Repair Parts

## Parts List for Craftsman 10 Inch Table Saw

Model No. 113.299315

Figure 6 - Guard Assembly



Always Order by Part Number - not by Key Number

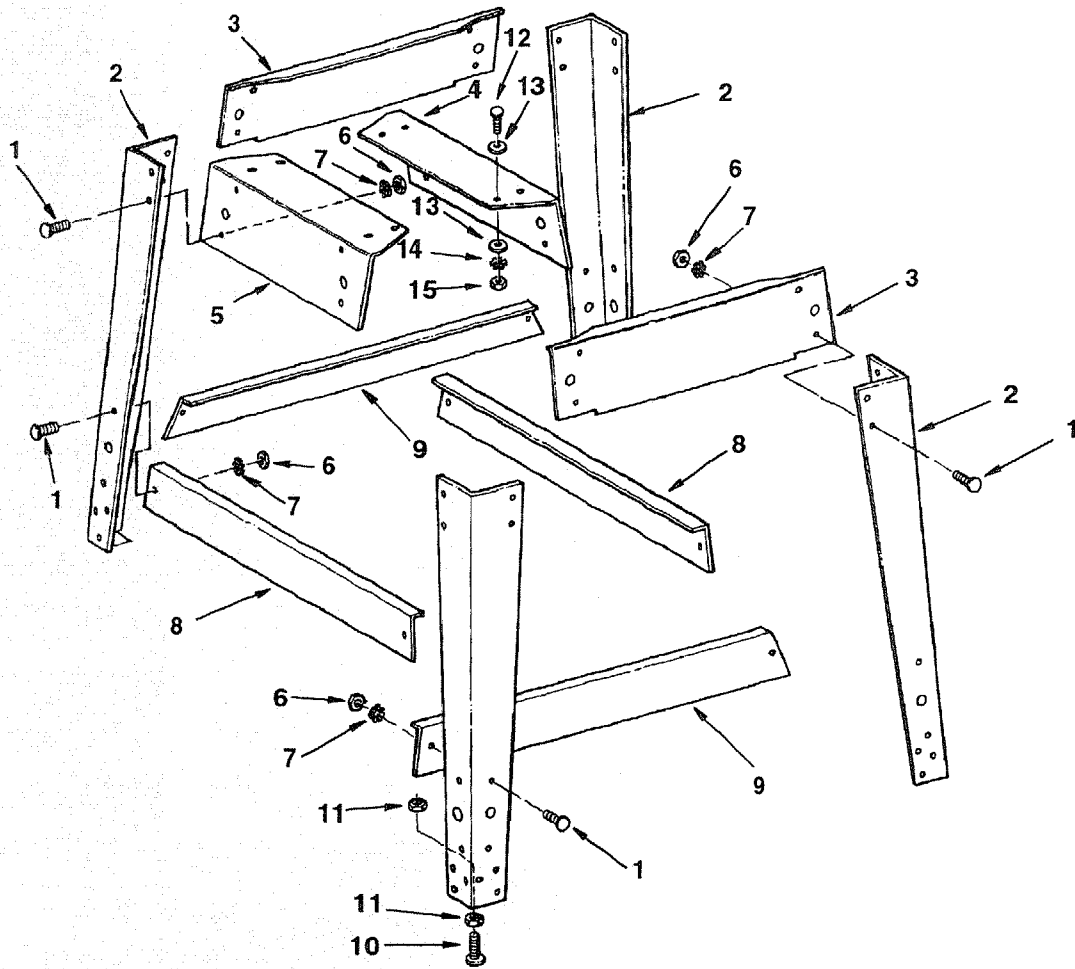
Key No.	Part No.	Description
1	60208	Nut Push
2	62391	Pin 1/4 x 1-1/2
3	62395	Support, Guard
4	62389	Guard, Saw
5	62390	Pin, 1/4 x 1-3/4
6	STD551025	* Washer, 17/64 x 5/8 x 1/16
7	62520	Spacer, Pawl
8	62396	Pawl
9	62580	Spreader Blade
10	62410	Pin, 1/4 x 1
11	STD571810	* Pin, Roll 3/16 x 15/16
12	62519	Spring, Pawl

\* Standard Hardware Item - May be purchased locally

## Parts List for Craftsman 10 Inch Table Saw

Model No. 113.299315

Figure 7 - Leg Set



Key No.	Part No.	Description
1	805589-5	Screw, Serrated Truss Head. 1/4-20 x 1/2
2	824361	Leg
3	824363	Stiffener, Side
4	824362	Stiffener, End
5	824364-1	Stiffener, End w/Label
6	STD541025	* Nut Hex, 1/4-20
7	STD551225	* Lockwasher 1/4
8	824371-1	Stiffener Leg (Short)
9	824371	Stiffener Leg (Long)
10	803835-1	Foot Leveling
11	STD541237	* Nut, Hex 3/8 - 16
<b>Hardware For Attaching Legs To Saw</b>		
12	STD523112	* Screw, Hex Hd. 5/16-18 x 1-1/4
13	STD551031	* Washer, 11/32 x 11/16 x 1/16
14	STD551131	* Lockwasher, Ext. 5/16
15	STD541231	* Nut, Hex 5/16-18

\* Standard Hardware Item - May be purchased locally

# Notes

# SEARS

owner's  
manual

Model No.  
**113.299315**

The model number of your 10 inch Table Saw will be found on a plate attached to your saw, at the right rear side of the base.

When requesting service or ordering parts, always provide the following information:

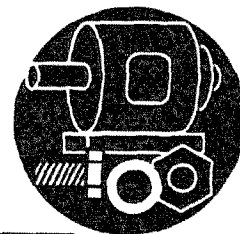
- Product Type
- Model Number
- Part Number
- Part Description

## 10 INCH STATIONARY TABLE SAW

For the repair or replacement parts you need

Call 7 am - 7 pm, 7 days a week

**1-800-366-PART**  
(1-800-366-7278)



For in-home major brand repair service

Call 24 hours a day, 7 days a week

**1-800-4-REPAIR**  
(1-800-473-7247)



For the location of a  
Sears Repair Service Center in your area

Call 24 hours a day, 7 days a week

**1-800-488-1222**



For information on purchasing a Sears  
Maintenance Agreement or to inquire  
about an existing Agreement

Call 9 am - 5 pm, Monday-Saturday

**1-800-827-6655**



**SEARS**  
**REPAIR SERVICES**  
*America's Repair Specialists*

Sears, Roebuck and Co., Hoffman Estates, IL. 60179 U.S.A.