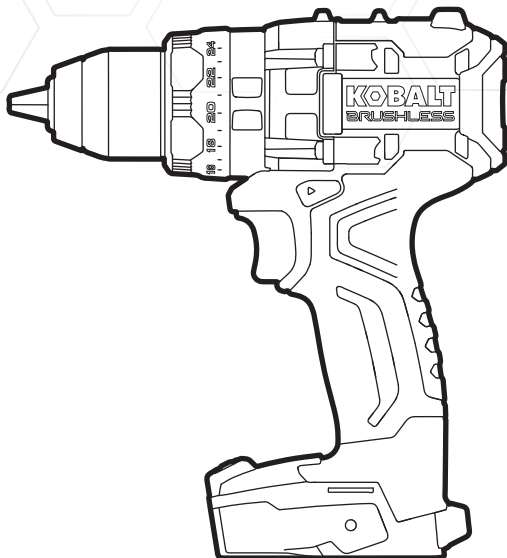


KOBALT™



ITEM #4913879

BRUSHLESS HAMMER DRILL

MODEL #KHD 124B-03

KOBALT and logo design are trademarks
or registered trademarks of LF, LLC.
All rights reserved.

Español p. 19

ATTACH YOUR RECEIPT HERE

Serial Number _____ Purchase Date _____




Questions, problems, missing parts? Before returning to your retailer, call our customer service department at 888-3KOBALT (888-356-2258), 8 a.m.-8 p.m., EST, Monday-Sunday. You could also contact us at partsplus@lowes.com.

AS22027

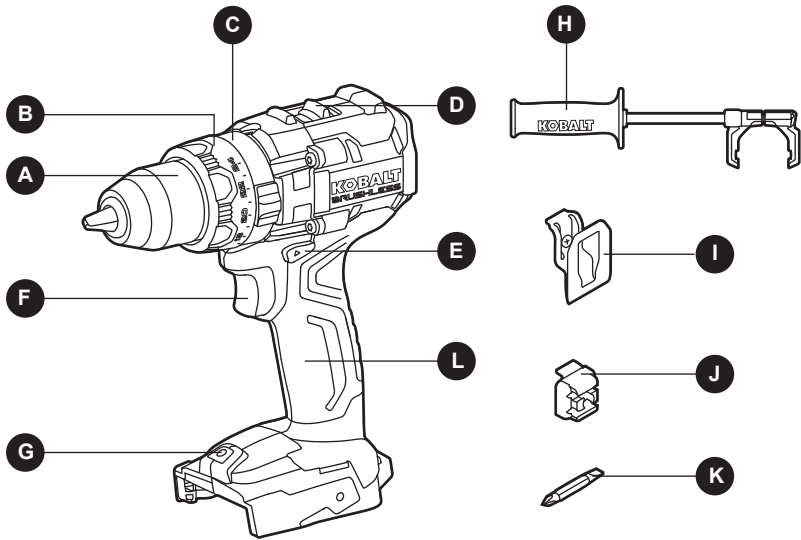
TABLE OF CONTENTS

Product Specifications.....	2
Packaging Contents.....	3
Safety Information.....	4
Preparation.....	8
Operating Instructions.....	9
Care and Maintenance.....	16
Troubleshooting.....	16
Warranty.....	17

PRODUCT SPECIFICATIONS

COMPONENT	SPECIFICATION
Rated voltage	24V 
No-load speed (n_0)	0-550 / 0-2000 /min (RPM)
Impact rate	0-8800/0-32000 /min (BPM)
Chuck capacity	1/2 in. (13mm)
Maximum torque	850 in. lbs
Recommended operating, charging and storage temperature	41°F (5°C) - 104°F (40°C)

PACKAGE CONTENTS



PART	DESCRIPTION
A	Keyless chuck
B	Torque adjustment ring
C	Mode selector
D	Gear selector
E	Direction-of-rotation selector (forward/center-lock/reverse)
F	Variable-speed trigger switch

PART	DESCRIPTION
G	LED work light
H	Auxiliary handle
I	Belt clip (with screw)
J	Bit holder (with screw)
K	Double ended bit
L	Handle

! WARNING

- Remove the tool from the package and examine it carefully. Do not discard the carton or any packaging material until all parts have been examined.
- If any part of the tool is missing or damaged, do not attach the battery pack or use the tool until the part has been repaired or replaced. Failure to heed this warning could result in serious injury.

SAFETY INFORMATION

Please read and understand this entire manual before attempting to assemble or operate this product. If you have any questions regarding the product, please call customer service at 888-3KOBALT (888-356-2258) , 8 a.m. - 8 p.m., EST, Monday - Sunday. You could also contact us at partsplus@lowes.com.

WARNING

- The operation of any power tool can result in foreign objects being thrown into your eyes, which can result in severe eye damage. Before beginning power-tool operation, always wear safety goggles or safety glasses with side shields and a full-face shield, when needed. We recommend using a wide vision safety mask over eyeglasses or standard safety glasses with shields. Always use eye protection marked to comply with ANSI Z87.1.
- Some dust created by power sanding, sawing, grinding, drilling and other construction activities contains chemicals known to the state of California to cause cancer, birth defects or other reproductive harm. Some examples of these chemicals are:
 - Lead from lead-based paints,
 - Crystalline silica from bricks and cement and other masonry products, and
 - Arsenic and chromium from chemically-treated lumber.
- Your risk from these exposures varies, depending on how often you do this type of work. To reduce your exposure to these chemical: work in a well ventilated area, and work with approved safety equipment, such as those dust masks that are specially designed to filter out microscopic particles.

Know the Tool

To operate this tool, carefully read this manual and all labels affixed to the tool before using it. Keep this manual available for future reference.





Important

This tool should be serviced only by a qualified service technician.

Read All Instructions Thoroughly

SAFETY INFORMATION

Some of the following symbols may be used on this tool. Please study them and their meaning. Proper interpretation of these symbols will allow you to operate the tool better and more safely.

SYMBOL	DEFINITION	SYMBOL	DEFINITION
V	Volts	n_0	No-load Speed
RPM	Revolutions per Minute	BPM	Beats per Minute
.../min	Revolutions or Strokes per Minute	 or d.c.	Direct Current
" or in.	Inch	in. lbs.	Inch-Pound
N m	Newton Meter		To reduce the risk of injury, always wear eye protection.
	A danger, warning, or caution. It means 'Attention! Your safety is involved.'		To reduce the risk of injury, user must read instruction manual.

General Power Tool Safety Warnings

WARNING

- **Read all safety warnings, instructions, illustrations and specifications provided with this power tool.** Failure to follow all instructions listed below may result in electric shock, fire and/or serious injury.

Save all warnings and instructions for future reference

The term "power tool" in the warnings refers to your mains-operated (corded) power tool or battery-operated (cordless) power tool.

Work Area Safety

- **Keep work area clean and well lit.** Cluttered or dark areas invite accidents.
- **Do not operate power tools in explosive atmospheres, such as in the presence of flammable liquids, gases or dust.** Power tools create sparks, which may ignite the dust or fumes.
- **Keep children and bystanders away while operating a power tool.** Distractions can cause you to lose control.

Electrical Safety

- **Power tool plugs must match the outlet. Never modify the plug in any way. Do not use any adapter plugs with earthed (grounded) power tools.** Unmodified plugs and matching outlets will reduce the risk of electric shock.
- **Avoid body contact with earthed or grounded surfaces such as pipes, radiators, ranges and refrigerators.** There is an increased risk of electric shock if your body is earthed or grounded.



SAFETY INFORMATION

- **Do not expose power tools to rain or wet conditions.** Water entering a power tool will increase risk of electric shock.
- **Do not abuse the cord. Never use the cord for carrying, pulling or unplugging the power tool. Keep cord away from heat, oil, sharp edges or moving parts.** Damaged or entangled cords increase the risk of electric shock.
- **When operating a power tool outdoors, use an extension cord suitable for outdoor use.** Use of a cord suitable for outdoor use reduces the risk of electric shock.
- **If operating a power tool in a damp location is unavoidable, use a ground fault circuit interrupter (GFCI) protected supply.** Use of a GFCI reduces the risk of electric shock.

Personal Safety

- **Stay alert, watch what you are doing and use common sense when operating a power tool. Do not use a power tool while you are tired or under the influence of drugs, alcohol or medication.** A moment of inattention while operating power tools may result in serious personal injury.
- **Use personal protective equipment. Always wear eye protection.** Protective equipment such as a dust mask, non-skid safety shoes, hard hat or hearing protection used for appropriate conditions will reduce personal injuries.
- **Prevent unintentional starting. Ensure the switch is in the off-position before connecting to power source and/or battery pack, picking up or carrying the tool.** Carrying power tools with your finger on the switch or energising power tools that have the switch on invites accidents.
- **Remove any adjusting key or wrench before turning the power tool on.** A wrench or a key left attached to a rotating part of the power tool may result in personal injury.
- **Do not overreach. Keep proper footing and balance at all times.** This enables better control of the power tool in unexpected situations.
- **Dress properly. Do not wear loose clothing or jewelry. Keep your hair and clothing away from moving parts.** Loose clothes, jewelry or long hair can be caught in moving parts.
- **If devices are provided for the connection of dust extraction and collection facilities, ensure these are connected and properly used.** Use of dust collection can reduce dust-related hazards.
- **Do not let familiarity gained from frequent use of tools allow you to become complacent and ignore tool safety principles.** A careless action can cause severe injury within a fraction of a second.

Power tool use and care

- **Do not force the power tool. Use the correct power tool for your application.** The correct power tool will do the job better and safer at the rate for which it was designed.
- **Do not use the power tool if the switch does not turn it on and off.** Any power tool that cannot be controlled with the switch is dangerous and must be repaired.
- **Disconnect the plug from the power source and/or remove the battery pack, if detachable, from the power tool before making any adjustments, changing accessories, or storing power tools.** Such preventive safety measures reduce the risk of starting the power tool accidentally.
- **Store idle power tools out of the reach of children and do not allow persons unfamiliar with the power tool or these instructions to operate the power tool.** Power tools are dangerous in the hands of untrained users.
- **Maintain power tools and accessories. Check for misalignment or binding of moving parts, breakage of parts and any other condition that may affect the power tool's operation. If damaged, have the power tool repaired before use.** Many accidents are caused by poorly maintained power tools.



SAFETY INFORMATION

- **Keep cutting tools sharp and clean.** Properly maintained cutting tools with sharp cutting edges are less likely to bind and are easier to control.
- **Use the power tool, accessories and tool bits etc. in accordance with these instructions, taking into account the working conditions and the work to be performed.** Use of the power tool for operations different from those intended could result in a hazardous situation.
- **Keep handles and grasping surfaces dry, clean and free from oil and grease.** Slippery handles and grasping surfaces do not allow for safe handling and control of the tool in unexpected situations.

Battery Tool Use and Care

- **Recharge only with the charger specified by the manufacturer.** A charger that is suitable for one type of battery pack may create a risk of fire when used with another battery pack.
- **Use power tools only with specifically designated battery packs.** Use of any other battery packs may create a risk of injury and fire.
- **When battery pack is not in use, keep it away from other metal objects, like paper clips, coins, keys, nails, screws or other small metal objects, that can make a connection from one terminal to another.** Shorting the battery terminals together may cause burns or a fire.
- **Under abusive conditions, liquid may be ejected from the battery; avoid contact. If contact accidentally occurs, flush with water. If liquid contacts eyes, additionally seek medical help.** Liquid ejected from the battery may cause irritation or burns.
- **Do not use a battery pack or tool that is damaged or modified.** Damaged or modified batteries may exhibit unpredictable behavior resulting in fire, explosion or risk of injury.
- **Do not expose a battery pack or tool to fire or excessive temperature.** Exposure to fire or temperature above 265 °F (130 °C) may cause explosion.
- **Follow all charging instructions and do not charge the battery pack or tool outside the temperature range specified in the instructions.** Charging improperly or at temperatures outside the specified range may damage the battery and increase the risk of fire.

Service

- **Have your power tool serviced by a qualified repair person using only identical replacement parts.** This will ensure that the safety of the power tool is maintained.
- **Never service damaged battery packs.** Service of battery packs should only be performed by the manufacturer or authorized service providers.

Drill Safety Warnings

Safety Instructions for All Operations

- **Wear ear protectors when impact drilling.** Exposure to noise can cause hearing loss.
- **Use the auxiliary handle(s).** Loss of control can cause personal injury.
- **Hold the power tool by insulated gripping surfaces, when performing an operation where the cutting accessory or fasteners may contact hidden wiring.** Cutting accessory or fasteners contacting a "live" wire may make exposed metal parts of the power tool "live" and could give the operator an electric shock.



SAFETY INFORMATION

Safety Instructions When Using Long Drill Bits

- **Never operate at higher speed than the maximum speed rating of the drill bit.** At higher speeds, the bit is likely to bend if allowed to rotate freely without contacting the workpiece, resulting in personal injury.
- **Always start drilling at low speed and with the bit tip in contact with the workpiece.** At higher speeds, the bit is likely to bend if allowed to rotate freely without contacting the workpiece, resulting in personal injury.
- **Apply pressure only in direct line with the bit and do not apply excessive pressure.** Bits can bend causing breakage or loss of control, resulting in personal injury.

Additional Warnings

- **Use only with the battery packs and chargers listed below:**

BATTERY PACK	BATTERY CHARGER
KB 224-03; KB 424-03; KB 524-03; KB 624-03; KXB 424-03; KXB 824-03	KRC 2445-03; KRC 2490-03; KRC 2404-03; KDPC 124-03; KCH 2401-03; KCH 2411-03

PREPARATION

Know Your Hammer Drill

Before attempting to use the hammer drill, familiarize yourself with all of its operating features and safety requirements.



WARNING

- Do not allow familiarity with the hammer drill to cause carelessness. Remember that one careless moment is enough to cause severe injury. Before attempting to use any tool, be sure to become familiar with all of the operating features and safety instructions.
- Do not attempt to modify this tool or create accessories not recommended for use with this tool. Any such alteration or modification is misuse and could result in a hazardous condition leading to possible serious personal injury.

OPERATING INSTRUCTIONS

1. To Attach Battery Pack

- Align the raised portion on the battery pack with the grooves on the bottom of the tool, and then slide the battery pack onto the tool as shown.
- Make sure that the latch on the battery pack snaps into place and the battery pack is secured to the tool before beginning operation.

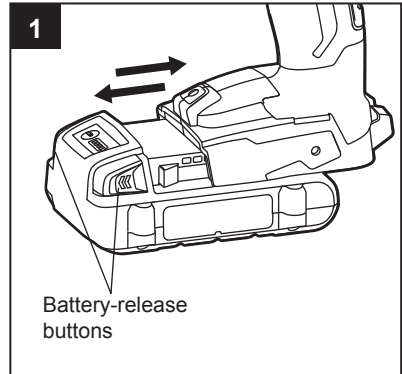
NOTICE: When placing the battery pack on the tool, be sure that the raised rib on battery pack aligns with the groove on the tool and the latches snap into place properly. Improper assembly of the battery pack can cause damage to internal components.

To Detach Battery Pack

- Press the battery-release buttons to release the battery pack.
- Pull the battery pack backward to remove it from the tool.

WARNING

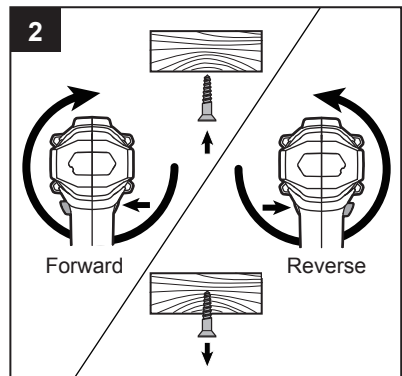
- Battery tools are always in operating condition. Therefore, always remove the battery pack when the tool is not in use or when carrying the tool at your side.



2. Direction-of-Rotation Selector (Forward/Center Lock/Reverse)

The direction of bit rotation is reversible and is controlled by the selector located above the trigger switch (F). With the hammer drill held in the normal operating position, pointing away from you:

- Position the direction-of-rotation selector (E) to the left of the tool for forward rotation to drill in or drive the screws in.
- Position the direction-of-rotation selector to the right of the tool for reverse rotation to remove screws.
- Setting the selector in the center position locks the trigger to help reduce the possibility of accidental starting when the tool is not in use.



NOTICE: To prevent gear damage, always allow the hammer drill to come to a complete stop before changing the direction of rotation.

NOTICE: The hammer drill will not run unless the direction-of-rotation selector is engaged fully to the left or right.

OPERATING INSTRUCTIONS

3. Variable-speed Trigger Switch

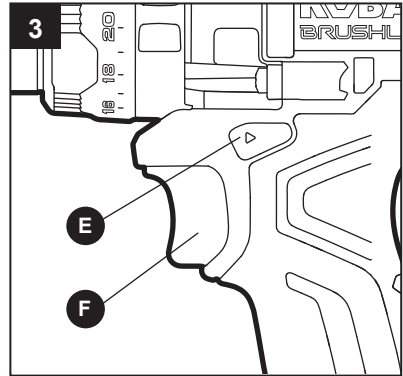
- Position the direction-of-rotation selector (E) to the left or right of the tool as needed to unlock the trigger switch (F).
- To turn the hammer drill ON, depress the trigger switch (F).
- To turn it OFF, release the trigger switch.

Variable Speed

The variable-speed trigger switch delivers higher speed with increased trigger pressure and lower speed with decreased trigger pressure.

Electric Brake

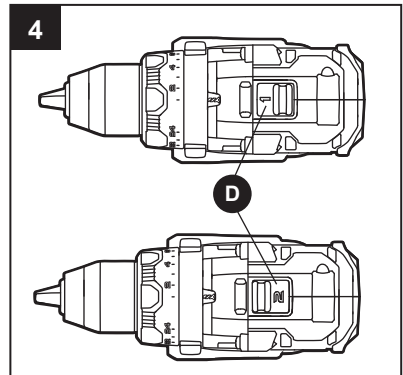
The hammer drill is equipped with an electric brake. When the trigger switch is released, the electric brake engages automatically to quickly stop rotation.



4. Two-Speed Gear Box

The hammer drill has a two-speed gear box designed for drilling or driving at two different variable-speed ranges. The gear selector (D) is located on the top of the hammer drill, allowing you to select either “1” (Low) speed range or “2” (High) speed range.

- Setting “1” will deliver lower speeds and increased power and torque. Use setting “1” for heavy-duty work or driving screws.
- Setting “2” will deliver higher speeds and reduced power and torque. Use setting “2” for drilling wood and wood composites and for using abrasive and polishing accessories.



NOTICE: Never change gears while the tool is running. Failure to obey this caution could result in serious damage to the hammer drill.

OPERATING INSTRUCTIONS

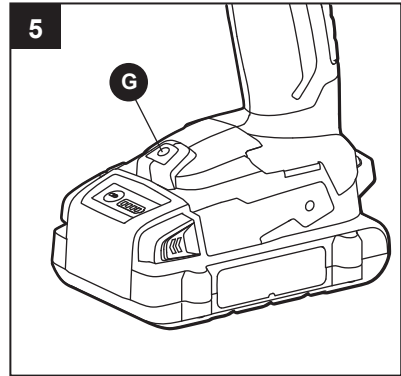
5. LED Work Light

The LED work light (G), located on the base of the hammer drill, will illuminate when the trigger switch is depressed. This provides additional light on the surface of the work piece for operation in lower-light areas.

The LED work light will turn off within approximately 10 seconds after the variable-speed trigger switch is released.

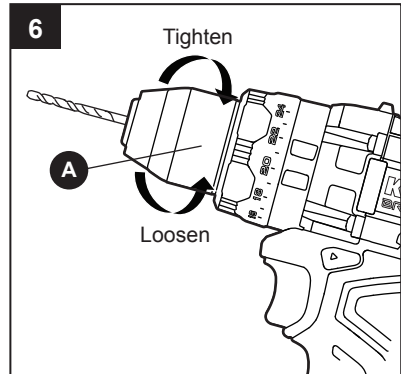
The LED work light will flash rapidly if the tool has stopped automatically when the tool and/or battery pack became overloaded or too hot. Please wait for the tool and/or battery pack to cool down, at which point it can be started again.

The LED work light will flash slowly to indicate that the battery charge is very low. Please recharge the battery pack.



6. Keyless Chuck


The hammer drill features a keyless chuck (A) to tighten or release drill bits in the chuck jaws without using an additional tool. The arrows on the chuck indicate the direction in which to rotate the chuck body in order to GRIP (tighten) or OPEN (loosen) the chuck jaws on the drill bit.





7. Mode Selector

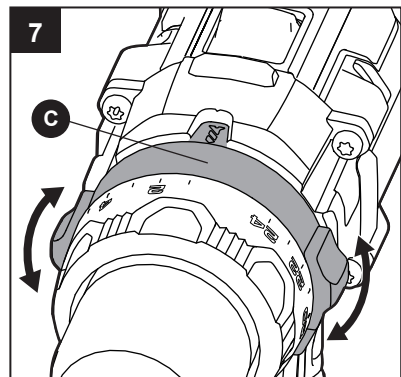
The mode selector (C) allows the tool to be set for various applications.

Rotate the selector clockwise or counterclockwise, depending on the application.

Driving  mode : For driving screws.

Drilling  mode : For drilling in wood, metal, plastic, or other materials.


Hammer drilling  mode : For drilling with hammer action in concrete, masonry, or similar hard material.



NOTICE: Do not change the mode setting when the tool is running.

OPERATING INSTRUCTIONS

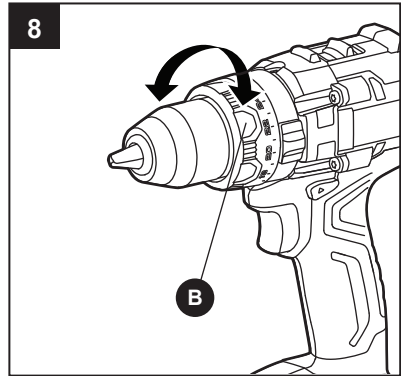
8. Adjustable Torque Clutch

The torque adjustment ring (B) can be set any of 24 torque settings when the tool is in the driving mode .

Adjust the torque by rotating the torque adjustment ring (B). The higher the torque setting number, the more force the hammer drill produces to turn an object.

The proper setting depends on the job and the type of bit, fastener, and material you will be using. In general, use greater torque for larger screws. If the torque is too high, the screws may be damaged or broken.

Torque adjustment is not available for the drilling or hammer mode.

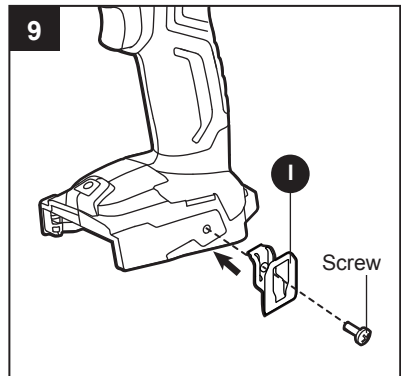


NOTICE: Do not change the torque setting when the tool is running.

9. Installing and Removing the Belt Clip

- Align the rib of the belt clip (I) with the hole on the base of the hammer drill.
- Insert the screw and tighten the screw securely with a Phillips-head screwdriver (not included).
- To remove the belt clip, use a Phillips-head screwdriver to loosen the screw holding the belt clip to the hammer drill.

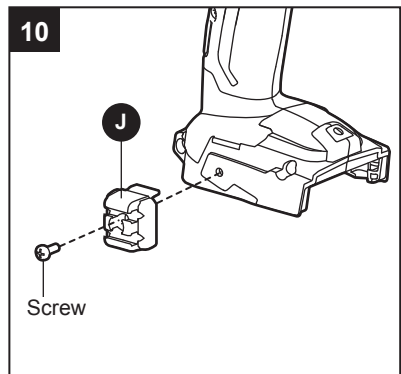
NOTE: The belt clip can be installed on the right or left side of the tool.



10. Installing and Removing the Bit Holder

- Align the rib of the bit holder (J) with the hole on the base of the hammer drill.
- Insert the screw and tighten the screw securely with a Phillips-head screwdriver (not included).
- To remove the bit holder, use a Phillips-head screwdriver to loosen the screw holding the bit holder to the hammer drill.

NOTE: The bit holder can be installed on the right or left side of the tool.



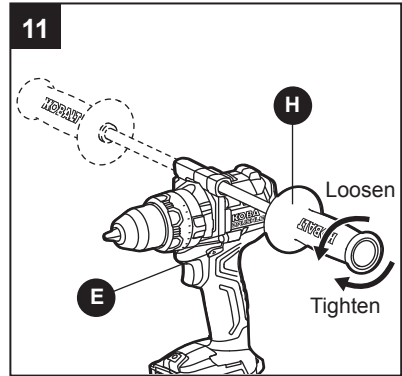
OPERATING INSTRUCTIONS

11. Auxiliary Handle

This hammer drill is equipped with an auxiliary handle (H). For ease of operation, you can use the handle with either the left or the right hand. The handle can be locked in the two positions shown in Fig. 11.

To install the auxiliary handle:

- Place the direction-of-rotation selector (E) in the center lock position.
- Loosen the auxiliary handle (H) by turning the grip handle counterclockwise.
- Align the raised portion on the auxiliary handle with the grooves on gear box of the hammer drill, then slide the auxiliary handle onto the tool as shown.
- Securely tighten the auxiliary handle in place by turning the grip handle clockwise.



To remove the auxiliary handle:

- Place the direction-of-rotation selector (E) in the center lock position.
- Loosen the auxiliary handle (H) by turning the grip handle counterclockwise.
- Remove the auxiliary handle from the tool.

! WARNING

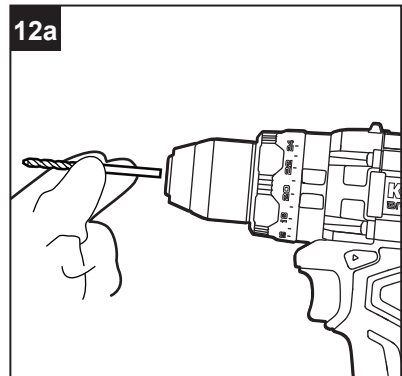
- For safety and ease of operation, securely tighten the auxiliary handle by turning the grip handle clockwise before every use.

12. Bits

Installing Bits

- Place the direction-of-rotation selector (E) in the center lock position.
- Open or close the chuck jaws to a point where the opening is slightly larger than the shank of the bit you intend to use.
- Insert the bit.
- Tighten the chuck jaws securely on the bit.

NOTICE: Rotate the chuck body in the direction of the arrow marked "GRIP" to close the chuck jaws. Do not use a wrench to tighten or loosen the chuck jaws.



! WARNING

- Make sure to insert the drill bit straight into the chuck jaws. Do not tighten the chuck jaws if the drill bit is inserted at an angle as shown in Fig. 12b. This could cause the drill bit to be thrown from the hammer drill, resulting in possibly serious personal injury or damage to the chuck.

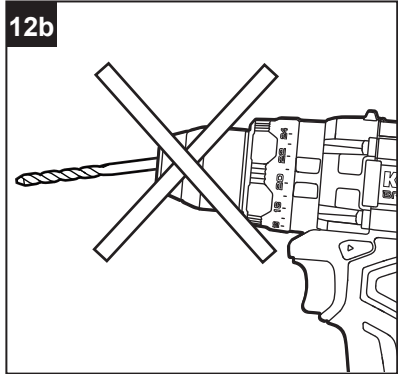
OPERATING INSTRUCTIONS

Removing Bits

- Place the direction-of-rotation selector (E) in the center lock position.
- Open the chuck jaws.
- Remove the drill bit.

⚠ WARNING

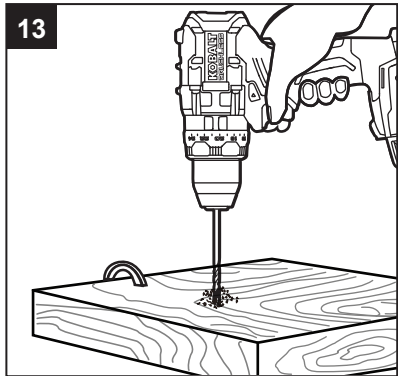
- Do not hold the chuck body with one hand and use the power of the hammer drill to tighten or loosen the chuck jaws on the drill bit. The chuck body could slip in your hand, or your hand could slip and come in contact with the rotating bit. This could cause an accident resulting in serious personal injury.



13. Drilling


⚠ WARNING

- Always wear safety goggles or safety glasses with side shields during power tool operation or when blowing dust. If operation is dusty, also wear a dust mask.
- Set the direction-of-rotation selector (E) to forward rotation.
 - Secure the material to be drilled in a vise or with clamps to keep it from turning as the drill bit rotates.
 - Hold the hammer drill firmly and place the bit at the point to be drilled.
 - Depress the variable-speed trigger switch (F) to start the hammer drill.
 - Move the drill bit into the work piece, applying only enough pressure to keep the bit drilling. Do not force the hammer drill or apply side pressure to elongate a hole. Let the tool do the work.
 - When drilling hard, smooth surfaces, use a center punch (sold separately) to mark the desired location of the hole. This will prevent the drill bit from slipping off center as the hole is started.
 - If the bit jams in the work piece or if the hammer drill stalls, stop the tool immediately. Remove the bit from the work piece and determine the reason for jamming.
 - To stop the hammer drill, release the variable speed trigger switch and allow the tool to come to a complete stop.




OPERATING INSTRUCTIONS

Drilling Wood


- a. For maximum performance, use high-speed steel or brad-point bits for drilling wood.
- b. Set the mode selector (C) to drilling mode  for best performance.
- c. Begin drilling at a very low speed to prevent the bit from slipping off the starting point.
- d. Increase speed as the drill bit bites into the material.
- e. When drilling “through” holes, place a block of wood behind the work piece to prevent ragged or splintered edges on the back side of the hole.

NOTICE: When drilling deep holes, the bit may overheat. Change the direction of rotation and pull out the bit frequently to clear wood chips from flutes.

Drilling Metal

- a. For maximum performance, use high-speed steel bits for drilling metal or steel.
- b. Set the mode selector (C) to drilling mode  for best performance.
- c. When drilling metals, use light oil on the drill bit to keep it from overheating. The oil will prolong the life of the bit and increase the drilling efficiency.
- d. Begin drilling at a very low speed to prevent the bit from slipping off the starting point.
- e. Maintain a speed and pressure which will allow cutting without overheating the bit.
Applying too much pressure will:
 - Overheat the tool.
 - Wear the bearings.
 - Bend or burn bits.
 - Produce off-center or irregularly-shaped holes.


Masonry Drilling

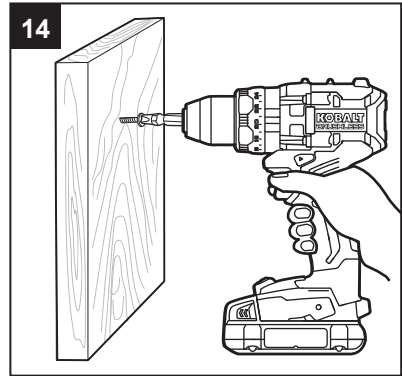
- a. For maximum performance, use carbide-tipped masonry bits when drilling holes in brick, concrete, etc.
- b. Set the mode selector (C) to hammer mode  or best performance.
- c. Maintain a speed and pressure which will allow cutting without overheating the bit or the tool. Applying too much pressure will:
 - Overheat the tool.
 - Wear the bearings.
 - Bend or burn bits.
 - Produce off-center or irregularly-shaped holes.
- d. Apply light pressure and medium speed for best results in brick.
- e. Apply additional pressure for hard materials, such as concrete.
- f. Begin drilling at a very low speed to prevent the bit from slipping off the starting point.

OPERATING INSTRUCTIONS

14. Driving Screws

Try to use standard-type screws for easy driving and improved grip.

- Install the correct driver bit.
- Set the mode selector (C) to driving mode  for best performance.
- Ensure that the torque-adjustment ring is set to the most suitable setting. If in doubt, start with a low setting and gradually increase the setting as necessary. Do not change the torque setting when the tool is running.
- Use the correct speed range for the job and initially apply minimal pressure to the variable-speed trigger switch. Increase the speed only when full control can be maintained.
- It is advisable to drill a pilot hole first. This hole should be slightly longer than the screw to be driven and slightly thinner than the shank diameter of the screw. The pilot hole will act as a guide for the screw and will also make tightening the screw less difficult. When screws are positioned close to an edge of the material, a pilot hole will also help to prevent splitting of the wood.
- Use a countersinking bit (sold separately) to accommodate the screw head so that it does not protrude from the surface.
- Keep sufficient pressure on the drill to prevent the bit from turning out of the screw head. The screw head can easily become damaged, making it difficult to drive home or remove.
- To stop the hammer drill, release the trigger switch and allow the tool to come to a complete stop.



CARE AND MAINTENANCE

⚠ All maintenance should only be carried out by a qualified service technician.

Cleaning

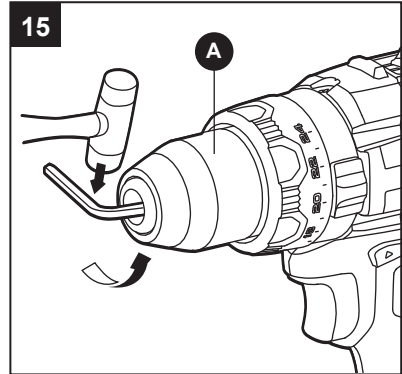
⚠ Before cleaning or performing any maintenance, remove the battery pack from the tool. For safe and proper operation, always keep the tool and its ventilation slots clean.

Always use only a soft, dry cloth to clean your hammer drill; never use detergent or alcohol.

15. Chuck Removal

The keyless chuck (A) can be removed and replaced.

- Lock the trigger switch by placing the direction-of-rotation selector (E) in the center position.
- Open the chuck jaws.
- Use a screwdriver (not included) to remove the chuck screw by turning it in a clockwise direction.
- Insert a 5/16-in. or larger hex key (not included) into the chuck of the hammer drill and securely tighten the chuck jaws around the hex key.
- Tap the hex key sharply with a mallet (not included) in a counterclockwise direction. This will loosen the chuck for easy removal.



NOTICE: The chuck screw has left-handed threads. Attach a new chuck to the spindle and tighten the chuck screw.

TROUBLESHOOTING

WARNING

Place the direction-of-rotation selector (E) in the center lock position and detach the battery pack from the hammer drill before performing troubleshooting procedures.

PROBLEM	POSSIBLE CAUSE	CORRECTIVE ACTION
The hammer drill does not work.	Battery pack is depleted.	Charge the battery pack.
Bit cannot be installed.	Chuck is not released.	Release the chuck.
	Bit does not fit the chuck.	Use an appropriate bit or use a suitable adaptor.
Motor overheating.	Ventilation slots are obstructed.	Clean and clear the ventilation slots. Do not cover ventilation slots with hand during operation.
The LED work light flashes rapidly.	The tool has stopped working to protect internal circuits.	Release the trigger switch, wait for the tool to cool down, then and start the tool again.
The LED work light flashes slowly.	The battery pack charge is very low.	Charge the battery pack.

WARRANTY

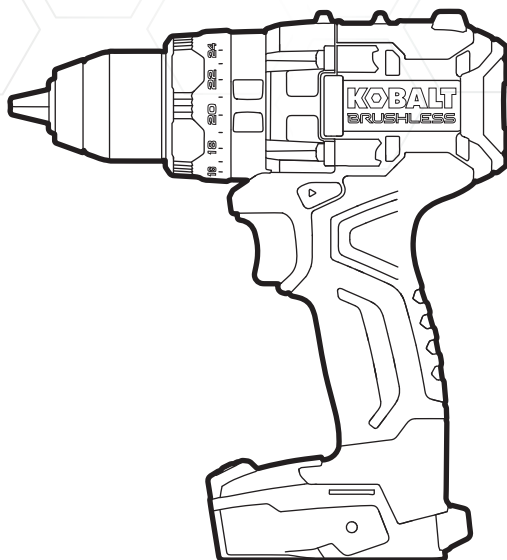
For 5 years from the date of purchase, the power tool is warranted and for 3 years from date of purchase the battery & charger are warranted for the original purchaser to be free from defects in material and workmanship. This guarantee does not cover damage due to abuse, normal wear, improper maintenance, neglect, unauthorized repair/alteration, or expendable parts and accessories expected to become unusable after a reasonable period of use.

If you think your product meets the above guarantee criteria, please return it to the place of purchase with valid proof of purchase and the defective product will be repaired or replaced at no charge. This guarantee gives you specific legal rights, and you may also have other rights that vary from state to state.

Lowe's Home Centers LLC. MOORESVILLE, NC 28117

Printed in China

KOBALT™



ARTÍCULO #4913879

TALADRO PERCUTOR SIN ESCOBILLAS

MODELO #KHD 124B-03

KOBALT y el diseño del logotipo son marcas comerciales o marcas registradas de LF, LLC. Todos los derechos reservados.

ADJUNTE SU RECIBO AQUÍ

Número de serie _____ Fecha de compra _____




¿Preguntas, problemas, piezas faltantes? Antes de volver a la tienda, llame a nuestro Departamento de Servicio al Cliente al 888-3KOBALT (888-356-2258), de lunes a domingo de 8 a.m. a 8 p.m., hora estándar del Este. También puede ponerse en contacto con nosotros en partsplus@lowes.com.

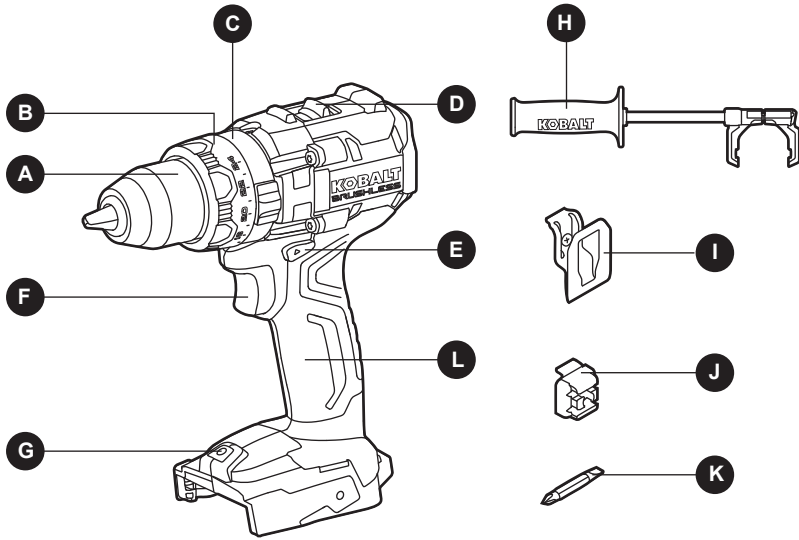
ÍNDICE

Especificaciones del producto.....	20
Contenido del paquete.....	21
Información de seguridad.....	22
Preparación.....	27
Instrucciones de funcionamiento.....	28
Cuidado y mantenimiento.....	36
Solución de problemas.....	37
Garantía.....	37

ESPECIFICACIONES DEL PRODUCTO

COMPONENTE	ESPECIFICACIONES
Voltaje nominal	24V 
Velocidad sin carga (n_0)	0-550 / 0-2000 /mín. (RPM)
Clasificación de impacto	0-8800/0-32000 /mín. (BPM)
Capacidad del mandril	13 mm (1/2 pulg.)
Torsión máxima	850 pulg. lb
Temperatura recomendada de funcionamiento, carga y almacenamiento	De 5 °C (41 °F) a 40 °C (104 °F)

CONTENIDO DEL PAQUETE



PIEZA	DESCRIPCIÓN
A	Mandril sin llave
B	Anillo de ajuste de torsión
C	Selector de modo
D	Selector de engranajes
E	Selector de dirección de rotación (adelante, bloqueo central o reversa)
F	Interruptor tipo gatillo de velocidad variable

PIEZA	DESCRIPCIÓN
G	Luz de trabajo LED
H	Manija auxiliar
I	Presilla para cinturón (con tornillo)
J	Soporte para brocas (con tornillo)
K	Broca doble
L	Mango

! ADVERTENCIA

- Retire la herramienta del paquete y examínela cuidadosamente. No deseche la caja ni ningún material de embalaje hasta después de examinar todas las piezas.
- Si falta alguna pieza de la herramienta o si alguna pieza está dañada, no fije el paquete de baterías ni use la herramienta hasta reparar o reemplazar la pieza. No seguir esta advertencia podría provocar lesiones graves.

INFORMACIÓN DE SEGURIDAD

Lea y comprenda completamente este manual antes de intentar ensamblar u operar este producto. Si tiene preguntas relacionadas con el producto, comuníquese con Servicio al Cliente al 888-3KOBALT (888-356-2258), de lunes a domingo, de 8 a. m. a 8 p. m., hora estándar del Este. También puede ponerse en contacto con nosotros en partsplus@lowes.com.

ADVERTENCIA

- La operación de cualquier herramienta eléctrica puede arrojar objetos extraños a los ojos y, de esta manera, causar graves daños oculares. Use siempre lentes o gafas de seguridad con protecciones laterales y, cuando sea necesario, un protector facial que cubra todo el rostro antes de comenzar a operar una herramienta eléctrica. Recomendamos usar una máscara de seguridad de visión amplia sobre los lentes o gafas de seguridad con protecciones estándar. Siempre use lentes de protección que cumplan con la norma ANSI Z87.1.
- Parte del polvo causado por el lijado eléctrico, el serruchado, la trituración, el taladro y otras actividades de construcción contiene sustancias químicas que, según el estado de California, causan cáncer, defectos congénitos u otros daños reproductivos. Estos son algunos ejemplos de dichos productos químicos:
 - Plomo presente en las pinturas con base de plomo,
 - Sílice cristalina de ladrillos, cemento y otros productos de mampostería y
 - Arsénico y cromo de madera tratada con químicos.
- El riesgo que corre debido a la exposición a estos químicos varía según la frecuencia con que realiza este tipo de trabajo. Para reducir su exposición a estas sustancias químicas, trabaje en un área bien ventilada y utilice un equipo de seguridad aprobado, como las mascarillas antipolvo especialmente diseñadas para filtrar partículas microscópicas.

Conozca la herramienta

Para operar esta herramienta, lea cuidadosamente este manual y todas las etiquetas adheridas a la herramienta antes de usarla. Guarde este manual para referencia futura.





Importante

Solo un técnico calificado puede reparar esta herramienta.

Lea por completo todas las instrucciones

INFORMACIÓN DE SEGURIDAD

Algunos de los siguientes símbolos pueden aparecer en esta herramienta. Obsérvelos y aprenda su significado. La interpretación correcta de estos símbolos le permitirá utilizar la herramienta de manera más eficaz y segura.

SÍMBOLO	DEFINICIÓN	SÍMBOLO	DEFINICIÓN
V	Voltios	n_0	Velocidad sin carga
RPM	Revoluciones por minuto	BPM	Golpes por minuto
.../min	Revoluciones o pasadas por minuto	 o CC	Corriente continua
" o pulg.	Pulgada	pulg. lb	pulgada-libra
N·m	Metro de Newton		Para reducir el riesgo de lesiones, use siempre lentes de protección.
	Peligro, advertencia o precaución. Significa "¡Atención! Su seguridad está en riesgo".		Para reducir el riesgo de lesiones, el usuario debe leer el manual de instrucciones.

Advertencias generales sobre la seguridad en el manejo de herramientas eléctricas

ADVERTENCIA

- **Lea todas las advertencias de seguridad, las instrucciones, las ilustraciones y las especificaciones que se incluyen para esta herramienta eléctrica.** No cumplir con todas las instrucciones que se detallan a continuación podría provocar descargas eléctricas, incendios o lesiones graves.

Guarde todas las advertencias e instrucciones para referencia futura

El término "herramienta eléctrica" que aparece en las advertencias hace referencia a la herramienta eléctrica que se conecta a la línea principal (con cable) o a la herramienta eléctrica que funciona a batería (inalámbrica).

Seguridad en el área de trabajo

- **Mantenga el área de trabajo limpia y bien iluminada.** Las áreas oscuras o desordenadas propician los accidentes.
- **No utilice herramientas eléctricas en ambientes en los que exista riesgo de explosión, como por ejemplo, en presencia de líquidos inflamables, gases o polvo.** Las herramientas eléctricas producen chispas que podrían encender el polvo o humo.
- **Mantenga a los niños y transeúntes alejados durante la operación de una herramienta eléctrica.** Las distracciones pueden hacerle perder el control.

Seguridad eléctrica

- **Los enchufes de las herramientas eléctricas deben encajar en el tomacorriente. No modifique el enchufe de ninguna manera. No utilice ningún enchufe adaptador con herramientas eléctricas con puesta a tierra.** Los enchufes originales y que encajan adecuadamente en los tomacorrientes reducen el riesgo de descarga eléctrica.
- **Evite el contacto del cuerpo con superficies conectadas a tierra, como tuberías, radiadores, extractores o refrigeradores.** Si su cuerpo tiene contacto a tierra, corre mayor riesgo de sufrir una descarga eléctrica.
- **No exponga las herramientas eléctricas a la lluvia o a condiciones de humedad.** Si ingresa agua en una herramienta eléctrica, aumenta el riesgo de sufrir una descarga eléctrica.
- **No maltrate el cable. Nunca use el cable para transportar, jalar ni desenchufar la herramienta eléctrica. Mantenga el cable alejado del calor, el aceite, los bordes filosos o las piezas en movimiento.** Los cables dañados o enredados aumentan el riesgo de descarga eléctrica.
- **Cuando utilice una herramienta eléctrica en exteriores, use una extensión eléctrica adecuada para uso en exteriores.** Usar un cable apto para exteriores reduce el riesgo de sufrir una descarga eléctrica.
- **Si debe utilizar una herramienta eléctrica en un área húmeda, use un suministro protegido con un interruptor de circuito de falla a tierra GFCI (por sus siglas en inglés).** Usar un GFCI disminuye el riesgo de recibir una descarga eléctrica.

Seguridad personal

- **Manténgase alerta, preste atención a lo que hace y utilice el sentido común cuando utilice una herramienta eléctrica. No use una herramienta eléctrica si está cansado o bajo los efectos de drogas, alcohol o medicamentos.** Un momento de desatención mientras opera herramientas eléctricas puede provocar lesiones personales graves.
- **Use un equipo de protección personal. Use siempre lentes de protección.** Los equipos de protección, como mascarillas antipolvo, zapatos de seguridad antideslizantes, cascos protectores o auriculares de seguridad, utilizados para las condiciones adecuadas, disminuyen el riesgo de lesiones personales.
- **Evite un arranque accidental. Asegúrese de que el interruptor esté en la posición de apagado antes de conectar la herramienta a la fuente de alimentación o al paquete de baterías o antes de levantarla o transportarla.** Transportar herramientas eléctricas con el dedo en el interruptor o enchufar herramientas eléctricas que tienen el interruptor encendido aumenta las posibilidades de sufrir accidentes.
- **Retire todas las llaves de ajuste o llaves inglesas antes de encender la herramienta eléctrica.** Dejar una llave inglesa o una llave conectada a una pieza giratoria de la herramienta eléctrica puede provocar lesiones personales.
- **No se extienda demasiado. Mantenga una postura y un equilibrio adecuados en todo momento.** Esto permite controlar mejor la herramienta eléctrica ante situaciones inesperadas.
- **Use ropa adecuada. No use ropa holgada ni joyas. Mantenga el cabello y la ropa alejados de las piezas en movimiento.** La ropa holgada, las joyas o el cabello largo pueden quedar atrapados en las piezas en movimiento.
- **Si se proporcionan dispositivos para la conexión de instalaciones de extracción y recolección de polvo, asegúrese de que se conecten y se usen debidamente.** La recolección de polvo puede disminuir los peligros relacionados con el polvo.
- **No permita que la familiaridad del uso frecuente de las herramientas lo haga no tener en cuenta los principios de seguridad en el manejo de las herramientas.** Un descuido puede ocasionar una lesión grave en cuestión de segundos.



Uso y cuidado de las herramientas eléctricas

- **No fuerce la herramienta eléctrica. Use la herramienta eléctrica adecuada para la tarea.** La herramienta eléctrica adecuada realizará un trabajo de mejor calidad y más seguro, al ritmo para el cual se diseñó.
- **No utilice la herramienta eléctrica si el interruptor no la enciende o apaga.** Cualquier herramienta eléctrica que no pueda controlarse con el interruptor es peligrosa y debe repararse.
- **Desconecte el enchufe de la fuente de alimentación o retire el paquete de baterías, si fuera posible, de la herramienta eléctrica antes de realizar cualquier ajuste, cambiar accesorios o almacenar herramientas eléctricas.** Estas medidas de seguridad preventivas reducen el riesgo de provocar arranques accidentales de la herramienta eléctrica.
- **Almacene las herramientas eléctricas que no estén en uso fuera del alcance de los niños y no permita que personas no familiarizadas con la herramienta o estas instrucciones la operen.** Las herramientas eléctricas son peligrosas en manos de usuarios sin capacitación.
- **Realice mantenimiento a las herramientas eléctricas y a los accesorios. Revise si hay piezas móviles desalineadas o trabadas, si hay piezas rotas y cualquier otra condición que pueda afectar el funcionamiento de la herramienta eléctrica. Si se daña la herramienta eléctrica, hágala reparar antes de usarla.** Muchos accidentes son producto del mantenimiento deficiente de las herramientas eléctricas.
- **Mantenga las herramientas de corte afiladas y limpias.** Las herramientas de corte que se mantienen adecuadamente con sus bordes de corte afilados son menos propensas a trabarse y son más fáciles de controlar.
- **Use la herramienta eléctrica, los accesorios, las brocas, etc. de acuerdo con estas instrucciones y considere las condiciones de operación y el trabajo que desea realizar.** Si la herramienta eléctrica se usa en operaciones para las cuales no se diseñó, podría crear una situación de peligro.
- **Mantenga las manijas y las superficies de agarre secas, limpias y sin aceite ni grasa.** Las manijas y las superficies de agarre resbaladizas no permiten manipular ni controlar la herramienta de forma segura en situaciones inesperadas.

Uso y cuidado de herramientas a batería

- **Recargue el paquete de baterías solo con el cargador especificado por el fabricante.** Un cargador adecuado para un tipo de paquete de baterías puede ocasionar un riesgo de incendio si se usa con otro paquete de baterías diferente.
- **Use herramientas eléctricas solo con paquetes de baterías designados específicamente.** El uso de cualquier otro paquete de baterías puede crear un riesgo de lesión e incendio.
- **Cuando el paquete de baterías no está en uso, aléjelo de objetos metálicos, como sujetapapeles, monedas, llaves, clavos, tornillos u otros objetos metálicos pequeños que pudieran crear una conexión entre los terminales.** El cortocircuito de los terminales de la batería puede causar quemaduras o un incendio.
- **En condiciones de maltrato, es posible que salga líquido de la batería. Evite el contacto. Si se produce un contacto accidental, enjuague con agua. Si el líquido entra en contacto con los ojos, solicite atención médica.** El líquido que sale de la batería puede provocar irritación o quemaduras.
- **No utilice un paquete de baterías ni una herramienta si están dañadas o modificadas.** Las baterías dañadas o modificadas pueden realizar acciones impredecibles, que podrían provocar incendios, explosiones o riesgo de lesiones.

INFORMACIÓN DE SEGURIDAD

- **No exponga el paquete de baterías ni la herramienta al fuego o a una temperatura excesiva.** La exposición al fuego o a temperaturas por encima de los 130 °C (265 °F) podría causar una explosión.
- **Siga todas las instrucciones de carga y no cargue el paquete de baterías ni la herramienta fuera del rango de temperatura especificado en las instrucciones.** La carga inadecuada o a temperaturas fuera del rango especificado podría dañar la batería y aumentar el riesgo de incendio.

Reparación

- **Permita que solo una persona capacitada repare la herramienta eléctrica, mediante el uso solo de piezas de repuesto idénticas.** Esto garantizará que se mantenga la seguridad de la herramienta eléctrica.
- **Nunca realice mantenimiento a los paquetes de baterías.** Solo el fabricante o los proveedores de servicio autorizados pueden realizarles mantenimiento.

Advertencias de seguridad del taladro

Instrucciones de seguridad para todo tipo de operaciones

- **Utilice protectores para los oídos cuando realice una perforación de impacto.** La exposición al ruido puede causar la pérdida de la audición.
- **Use los mangos auxiliares.** La pérdida de control puede causar lesiones personales graves.
- **Sostenga la herramienta eléctrica por las superficies de agarre aisladas cuando realice una operación en la que la herramienta de corte o los sujetadores puedan entrar en contacto con cableado oculto.** Es posible que un accesorio de corte que entre en contacto con un cable "energizado" también "energice" las piezas de metal expuestas de la herramienta eléctrica y podría provocar una descarga eléctrica al operador.

Instrucciones de seguridad para el uso de brocas para taladro largas

- **Nunca opere a una velocidad superior a la velocidad nominal máxima de la broca.** A velocidades más altas, es probable que la broca se doble si gira libremente sin entrar en contacto con la pieza de trabajo, lo que puede causar lesiones personales.
- **Empiece siempre a taladrar a baja velocidad y con la punta de la broca en contacto con la pieza de trabajo.** A velocidades más altas, es probable que la broca se doble si gira libremente sin entrar en contacto con la pieza de trabajo, lo que puede causar lesiones personales.
- **Aplique presión solo en línea directa con la broca y no aplique presión excesiva.** Las brocas pueden doblarse y causar roturas o pérdida del control, y así ocasionar lesiones personales.

Advertencias adicionales

- **Use solamente los paquetes de baterías y los cargadores que se indican a continuación:**

PAQUETE DE BATERÍAS	CARGADOR DE BATERÍA
KB 224-03; KB 424-03; KB 524-03; KB 624-03; KXB 424-03; KXB 824-03	KRC 2445-03; KRC 2490-03; KRC 2404-03; KDPC 124-03; KCH 2401-03; KCH 2411-03

PREPARACIÓN

Información acerca del taladro percutor

Antes de intentar usar el taladro percutor, familiarícese con todas sus características de operación y requisitos de seguridad.



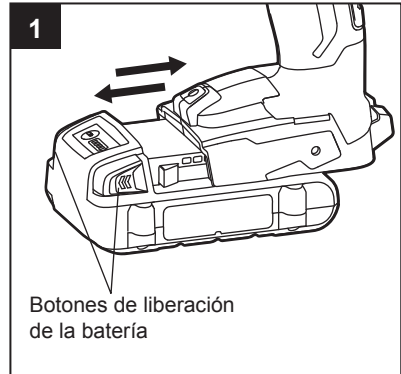
ADVERTENCIA

- Sea cuidadoso, incluso si está familiarizado con el taladro percutor. Recuerde que un momento de descuido es suficiente para causar lesiones graves. Antes de intentar utilizar una herramienta, asegúrese de familiarizarse con todas las funciones de operación e instrucciones de seguridad.
- No intente modificar esta herramienta ni crear accesorios que no sean los recomendados para esta. Cualquier alteración o modificación se considera un uso indebido y podría causar una situación peligrosa que provoque lesiones graves.

INSTRUCCIONES DE FUNCIONAMIENTO

1. Para fijar el paquete de baterías

- Alinee la parte elevada del paquete de baterías con las ranuras de la parte inferior de la herramienta y luego deslice el paquete de baterías hacia dentro de la herramienta, como se muestra.
- Asegúrese de que el pestillo del paquete de baterías encaje en su lugar y que el paquete de baterías esté fijo en la herramienta antes de comenzar la operación.



AVISO: cuando coloque el paquete de baterías en la herramienta, asegúrese de que la varilla elevada del paquete de baterías se alinee con la ranura de la herramienta y que los pestillos encajen en su lugar de manera correcta. El ensamblaje inadecuado del paquete de baterías puede provocar daños a los componentes internos.

Para retirar el paquete de baterías

- Presione los botones de liberación de la batería para poder liberar el paquete de baterías.
- Jale el paquete de baterías hacia atrás para retirarlo de la herramienta.

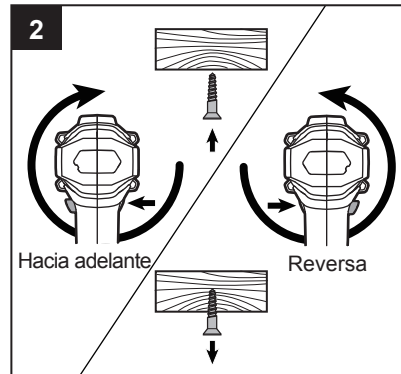
ADVERTENCIA

- Las herramientas con batería siempre están en condiciones de operación. Por lo tanto, siempre retire el paquete de baterías cuando no use la herramienta o cuando la transporte junto a usted.

2. Selector de dirección de rotación (hacia adelante/bloqueo central/reverso)

La dirección de rotación de la broca es reversible y se controla mediante el selector ubicado sobre el interruptor tipo gatillo (F). Con el taladro percutor sostenido en la posición de operación normal, apuntando en dirección opuesta a usted:

- Coloque el selector de dirección de rotación (E) a la izquierda de la herramienta para que rote hacia adelante a fin de perforar o colocar los tornillos.
- Coloque el selector de dirección de rotación a la derecha de la herramienta para que rote en reverso a fin de quitar los tornillos.
- Fijar el selector en la posición de bloqueo central bloquea el gatillo para ayuda a reducir la posibilidad de arranque accidental cuando no se está utilizando la herramienta.



AVISO: para evitar que los engranajes se dañen, siempre deje que el taladro percutor se detenga por completo antes de cambiar la dirección de la rotación.

AVISO: el taladro percutor no funciona a menos que el selector de dirección de rotación esté completamente posicionado a la izquierda o la derecha.

INSTRUCCIONES DE FUNCIONAMIENTO

3. Interruptor tipo gatillo de velocidad variable

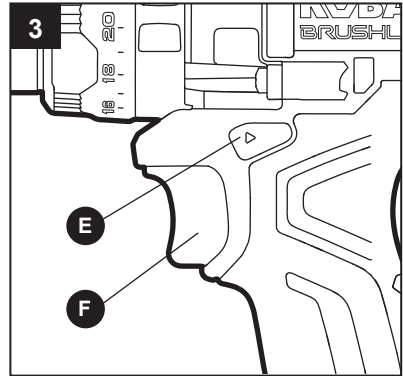
- Coloque el selector de dirección de rotación (E) a la izquierda o derecha de la herramienta según sea necesario para desbloquear el interruptor tipo gatillo (F).
- Para encender el taladro/destornillador, presione el interruptor tipo gatillo (F).
- Para apagarlo, suelte el interruptor tipo gatillo.

Velocidad variable

El interruptor tipo gatillo de velocidad variable proporciona mayor velocidad con mayor presión en el gatillo y menor velocidad con menor presión en el gatillo.

Freno eléctrico

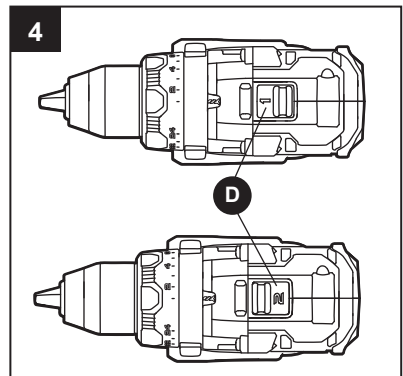
El taladro percutor está equipado con un freno eléctrico. Al soltar el interruptor tipo gatillo, se activará automáticamente el freno eléctrico para detener rápidamente la rotación.



4. Caja de dos velocidades

El taladro percutor cuenta con una caja de engranaje de dos velocidades diseñada para taladrar o atornillar a dos rangos de velocidad variable diferentes. El selector de engranaje (D) se encuentra en la parte superior del taladro percutor, y este le permite seleccionar un rango de velocidad "1" (bajo) o "2" (alto).

- La configuración "1" ofrece velocidades más bajas y mayor potencia y torsión. Use la configuración "1" para trabajo pesado o para apretar tornillos.
- La configuración "2" tiene velocidades más altas y potencia y torsión reducidos. Use la opción "2" para perforar madera y compuestos de madera y para usar accesorios abrasivos y de pulido.



AVISO: nunca cambie los engranajes mientras la herramienta esté en funcionamiento. El no obedecer esta medida de precaución podría causarle daños graves al taladro percutor.

INSTRUCCIONES DE FUNCIONAMIENTO

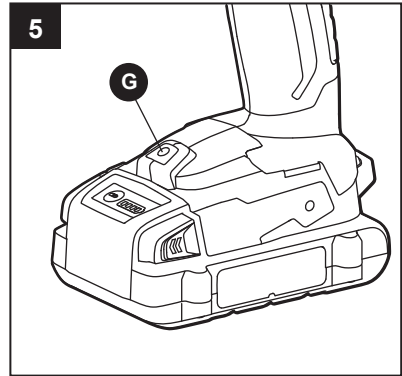
5. Luz de trabajo LED

La luz de trabajo LED (G), ubicada en la base del taladro percutor, se iluminará cuando presione el interruptor tipo gatillo. Esto brinda más iluminación a la superficie de la pieza de trabajo para usar la herramienta en áreas con poca iluminación.

La luz de trabajo LED se apagará aproximadamente 10 segundos después de que se suelte el interruptor tipo gatillo de velocidad variable.

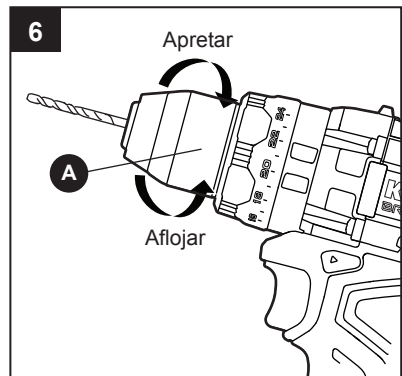
La luz de trabajo LED parpadeará rápidamente si la herramienta o el paquete de baterías se detuvo automáticamente cuando se sobrecargó o se calentó demasiado. Espere hasta que la batería o el paquete de baterías se enfríe para volver a hacer funcionar la herramienta.

La luz de trabajo LED parpadeará de forma pausada para indicar que la carga de la batería se encuentra demasiado baja. Recargue el paquete de baterías.



6. Mandril sin llave

El taladro percutor cuenta con un mandril sin llave (A) para apretar o soltar las brocas para taladro en las mordazas del mandril sin usar una herramienta adicional. Las flechas en el mandril señalan la dirección en la que se debe girar el cuerpo del mandril para SUJETAR (apretar) o ABRIR (aflojar) las mordazas en el mandril de la broca para taladro.



7. Selector de modo

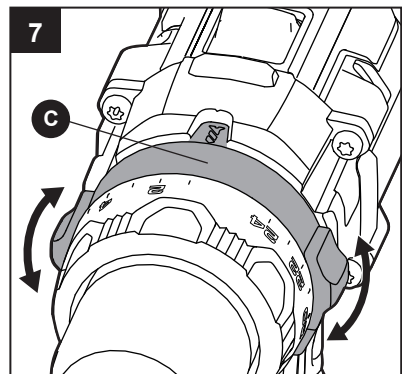
El selector de modo (C) permite configurar la herramienta para varias aplicaciones.

Rote el selector en dirección de las manecillas del reloj o en dirección contraria a las manecillas del reloj, según la aplicación.

Modo de atornillado : para atornillar tornillos.

Modo de taladrado : para taladrar maderas, metales, plásticos u otros materiales.


Modo de perforación con percutor : para taladrar con acción de martillo en concreto, mampostería o materiales duros similares.



AVISO: no cambie la configuración de modo mientras la herramienta esté en funcionamiento.

INSTRUCCIONES DE FUNCIONAMIENTO

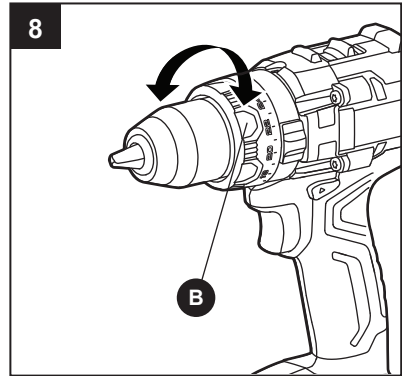
8. Embrague de torque ajustable

El anillo de ajuste de torque (B) se puede configurar en cualquiera de las 24 configuraciones de torsión cuando la herramienta está en el modo atornillado .

Ajuste la fuerza de torsión girando el anillo de ajuste de torque (B). A mayor número de configuración de torsión, mayor fuerza produce el taladro percutor para girar un objeto.

La configuración correcta depende del trabajo y del tipo de broca, sujetador y material que utilice. En general, use una fuerza de torsión mayor para tornillos más grandes. Si la torsión es demasiado elevada, los tornillos podrían dañarse o quebrarse.

No se puede ajustar el torque en los modos taladro ni martillo.

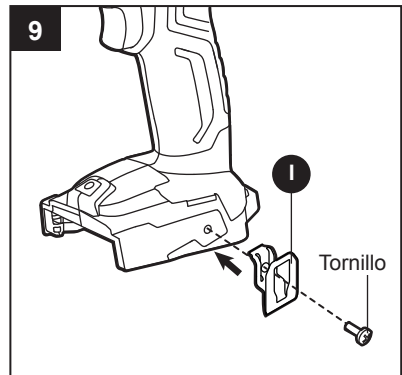


AVISO: no cambie la configuración de torsión mientras la herramienta está en funcionamiento.

9. Instalación y retiro de la presilla para cinturón

- Alinee la pestaña de la presilla para cinturón (I) con el orificio en la base del taladro percutor.
- Inserte el tornillo y apriételo firmemente con un destornillador Phillips (no se incluye).
- Para retirar la presilla para cinturón, utilice un destornillador Phillips para aflojar el tornillo que fija la presilla para cinturón al taladro percutor.

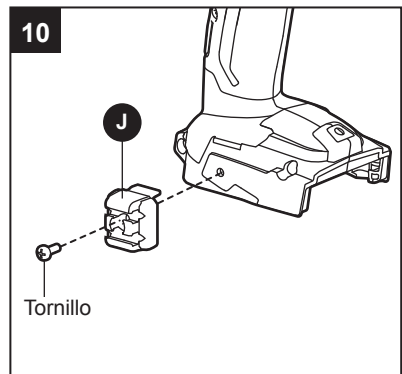
NOTA: la presilla para cinturón se puede instalar en el lado derecho o izquierdo de la herramienta.



10. Instalación y retiro del soporte para brocas

- Alinee la pestaña del soporte para brocas (J) con el orificio en la base del taladro percutor.
- Inserte el tornillo y apriételo firmemente con un destornillador Phillips (no se incluye).
- Para retirar el soporte para brocas, utilice un destornillador Phillips a fin de aflojar el tornillo que fija el soporte para brocas al taladro percutor.

NOTA: el soporte para brocas se puede instalar en el lado derecho o izquierdo de la herramienta.

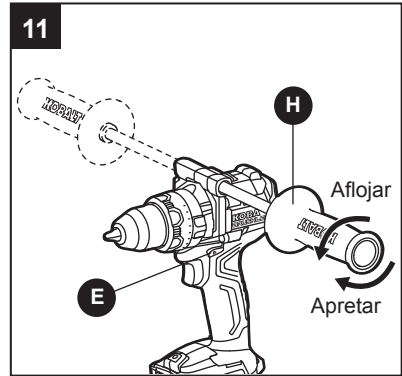


11. Manija auxiliar

Este taladro percutor está equipado con un mango auxiliar (H). Para una operación más fácil, se puede usar el mango con la mano izquierda o la derecha. El mango se puede bloquear en las dos posiciones que se muestran en la Fig. 11.

Para instalar el mango auxiliar:

- Coloque el selector de dirección de rotación (E) en la posición central de bloqueo.
- Afloje el mango auxiliar (H) girando el agarre en dirección contraria a las manecillas del reloj.
- Alinee la parte elevada del mango auxiliar con las ranuras de la caja de velocidades del taladro percutor y, luego, deslice el mango auxiliar en la herramienta, como se muestra.
- Apriete firmemente el mango auxiliar en el lugar girando la manija de agarre en dirección de las manecillas del reloj.



Para retirar el mango auxiliar:

- Coloque el selector de dirección de rotación (E) en la posición central de bloqueo.
- Afloje el mango auxiliar (H) girando el agarre en dirección contraria a las manecillas del reloj.
- Retire el mango auxiliar de la herramienta.



ADVERTENCIA

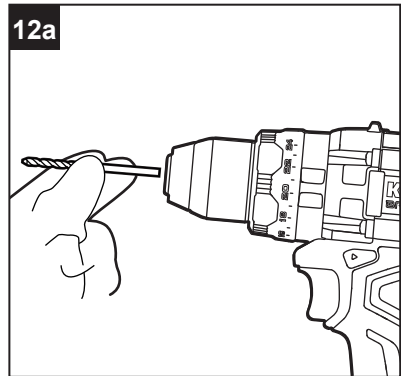
- Para su seguridad y para que operar la herramienta sea más fácil, apriete con firmeza la manija auxiliar girando el agarre en dirección de las manecillas del reloj antes de cada uso.

12. Brocas

Instalación de las brocas

- Coloque el selector de dirección de rotación (E) en la posición central de bloqueo.
- Abra o cierre las mordazas del mandril hasta que la abertura sea un poco más grande que el vástago de la broca que va a usar.
- Inserte la broca.
- Apriete bien las mordazas del mandril en la broca.

AVISO: gire el cuerpo del mandril en la dirección que indica la flecha AGARRE para cerrar las mordazas del mandril. No utilice una llave inglesa para apretar o aflojar las mordazas del mandril.



ADVERTENCIA

- Asegúrese de colocar la broca para taladro de forma derecha dentro de las mordazas del mandril. No apriete las mordazas del mandril si la broca del taladro se inserta en ángulo, como se muestra en la Fig. 12b. Esto puede hacer que la broca para taladro salga disparada del taladro percutor, lo que puede producir lesiones personales graves o daños al mandril.

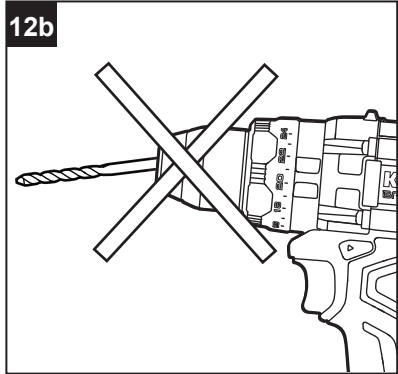
INSTRUCCIONES DE FUNCIONAMIENTO

Retiro de las brocas

- Coloque el selector de dirección de rotación (E) en la posición central de bloqueo.
- Abra las mordazas del portabrocas.
- Retire la broca para taladro.

! ADVERTENCIA

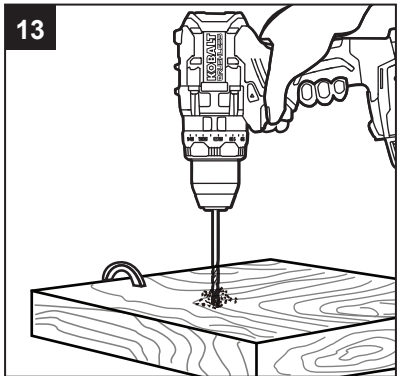
- No sostenga el cuerpo del mandril con una sola mano y use la potencia del taladro percutor para apretar o aflojar las mordazas del mandril en la broca para taladro. El cuerpo del mandril se puede resbalar en la mano, o la mano puede resbalarse y entrar en contacto con la pieza giratoria. Esto puede provocar un accidente que resulte en lesiones personales graves.



13. Perforaciones


! ADVERTENCIA

- Use siempre gafas o lentes de seguridad con protectores laterales durante la operación de la herramienta eléctrica o cuando sople el polvo. Si hay demasiado polvo durante la operación, use también una mascarilla antipolvo.
- Coloque el selector de dirección de rotación (E) en rotación hacia adelante.
 - Asegure el material que va a perforar en un tornillo de banco o con abrazaderas para evitar que gire cuando la broca para taladro esté girando.
 - Sostenga el taladro percutor con firmeza y coloque la broca en el punto que va a perforar.
 - Presione el interruptor tipo gatillo (F) de velocidad variable para encender el taladro percutor.
 - Mueva la broca para taladro en la pieza de trabajo, aplicando la presión suficiente como para mantener la broca taladrando. No fuerce el taladro percutor ni aplique presión lateral para ampliar un orificio. Deje que este realice el trabajo.
 - Cuando taladre superficies duras y suaves, use un sacabocado (se vende por separado) para marcar la ubicación deseada del orificio. Esto evitará que la broca para taladro se mueva a medida que hace el orificio.
 - Si la broca se atasca en la pieza de trabajo o si el taladro percutor se para, detenga la herramienta inmediatamente. Retire la broca de la pieza de trabajo y determine la causa del atasco.
 - Para detener el taladro percutor, suelte el interruptor tipo gatillo de velocidad variable y permita que la herramienta se detenga completamente.




INSTRUCCIONES DE FUNCIONAMIENTO

Taladrado en madera


- Para obtener un máximo rendimiento, use brocas de acero de alta velocidad o de tres puntas para perforar madera.
- Coloque el selector de modo (C) en función taladro  para obtener el mejor rendimiento posible.
- Comience perforando a una velocidad muy baja para evitar que la broca se deslice del punto de inicio.
- Aumente la velocidad a medida que la broca del taladro penetre el material.
- Cuando taladre “a través” de orificios, coloque un bloque de madera detrás de la pieza de trabajo para evitar que se formen bordes irregulares o astillados en la parte posterior de los orificios.

AVISO: al perforar agujeros profundos, la broca puede sobrecalentarse. Cambie la dirección de rotación en reversa y quite la broca con frecuencia para quitar el aserrín de los canales.

Taladrado en metal


- Para obtener un máximo rendimiento, use brocas de acero de alta velocidad para taladrar metal o acero.
- Coloque el selector de modo (C) en función taladro  para obtener el mejor rendimiento posible.
- Cuando perfore metales, unte aceite ligero en la broca para taladro para evitar que se sobrecaliente. El aceite prolongará la vida útil de la broca y aumentará la eficiencia del taladro.
- Comience perforando a una velocidad muy baja para evitar que la broca se deslice del punto de inicio.
- Mantenga una velocidad y presión que permitan cortar sin sobrecalentar la broca. Aplicar demasiada presión podría:
 - Sobrecalentar la herramienta.
 - Desgastar los rodamientos.
 - Doblar o quemar las brocas.
 - Producir orificios descentrados o irregulares.

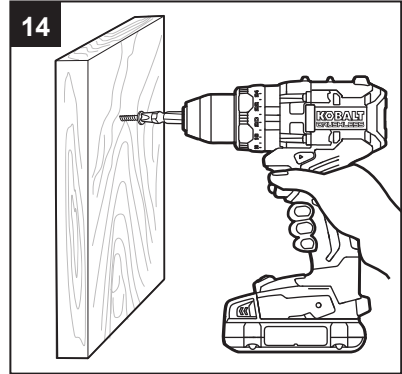
Taladrado en mampostería

- Para obtener el mejor rendimiento, utilice brocas para mampostería con punta de carburo cuando taladre orificios en ladrillos, concreto, etc.
- Coloque el selector de modo (C) en función martillo  para obtener el mejor rendimiento.
- Mantenga una velocidad y presión que permitan cortar sin sobrecalentar la broca ni la herramienta. Aplicar demasiada presión podría:
 - Sobrecalentar la herramienta.
 - Desgastar los rodamientos.
 - Doblar o quemar las brocas.
 - Producir orificios descentrados o irregulares.
- Para obtener resultados óptimos en ladrillos, aplique una presión suave y utilice una velocidad media.
- En materiales duros, como el concreto, aplique mayor presión.
- Comience perforando a una velocidad muy baja para evitar que la broca se deslice del punto de inicio.

14. Tornillos autopercutorantes

En lo posible, use tornillos tipo estándar para facilitar el atornillado y mejorar el agarre.

- a. Instale la punta de destornillador adecuada.
- b. Coloque el selector de modo (C) en función atornillado  para obtener el mejor rendimiento posible.
- c. Asegúrese de que el anillo de ajuste de torque se encuentre en la configuración más adecuada. Si no está seguro, empiece con una configuración baja y aumente de forma gradual la configuración según sea necesario. No cambie la configuración de torsión mientras la herramienta está en funcionamiento.
- d. Utilice el rango de velocidad correcto para el trabajo y aplique una presión mínima al interruptor tipo gatillo de velocidad variable. Aumente la velocidad solo cuando pueda mantener el control por completo.
- e. Se aconseja taladrar un orificio guía primero. Este orificio debe ser levemente más grande que el tornillo que desee colocar y ligeramente más delgado que el diámetro del vástago del tornillo. El orificio guiará al tornillo y hará que el ajuste de este sea más sencillo. Al ubicar los tornillos cerca del borde de un material, el orificio guía también ayudará a evitar que la madera se abra.
- f. Use una broca para avellanar (se vende por separado) para acomodar la cabeza del tornillo y evitar que sobresalga de la superficie.
- g. Mantenga la presión suficiente sobre el taladro para evitar que la broca gire fuera de la cabeza del tornillo. La cabeza del tornillo se puede dañar con facilidad, lo que hace difícil introducir o retirar el tornillo.
- h. Para detener el taladro percutor, suelte el interruptor tipo gatillo y permita que la herramienta se detenga completamente.



CUIDADO Y MANTENIMIENTO

! Todo el mantenimiento debe estar a cargo solo de un técnico de servicio calificado.

Limpieza

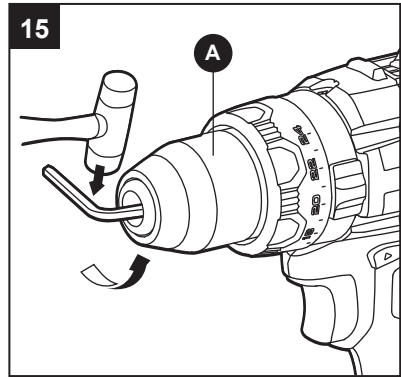
! Antes de limpiar o realizar cualquier mantenimiento, retire el paquete de baterías de la herramienta. Para un uso seguro y adecuado, siempre mantenga limpias la herramienta y sus ranuras de ventilación.

Siempre use solo un paño suave y seco para limpiar el tornillo percutor; nunca use detergente ni alcohol.

15. Retiro del mandril

El mandril sin llave (A) se puede retirar y reemplazar.

- Para bloquear el interruptor tipo gatillo, coloque el selector de dirección de rotación (E) en la posición de apagado central.
- Abra las mordazas del portabrocas.
- Use un destornillador (no se incluye) para retirar el tornillo del mandril girándolo en dirección de las manecillas del reloj.
- Inserte una llave hexagonal de 7,93 mm o más (no incluida) en el portabrocas del taladro percutor y apriete de forma segura las mordazas del portabrocas alrededor de la llave hexagonal.
- Golpee fuertemente la llave hexagonal con un mazo (no se incluye) en dirección contraria a las manecillas del reloj. Esto aflojará el mandril para retirarlo de manera más fácil.



AVISO: el tornillo del mandril tiene roscas hacia la izquierda. Fije un mandril nuevo al eje y apriete el tornillo del mandril.

SOLUCIÓN DE PROBLEMAS

ADVERTENCIA

Coloque el selector de dirección de rotación (E) en la posición de bloqueo central y retire el paquete de baterías del taladro percutor antes de realizar procedimientos de solución de problemas.

PROBLEMA	CAUSA POSIBLE	ACCIÓN CORRECTIVA
El martillo perforador no funciona.	El paquete de baterías está agotado.	Cargue el paquete de baterías.
No se puede instalar la broca.	No se ha aflojado el portabrocas.	Suelte el mandril.
	La broca no encaja en el portabrocas.	Use una broca correcta o un adaptador adecuado.
El motor se sobrecalienta.	Las ranuras de ventilación están obstruidas.	Revise y limpie las ranuras de ventilación. No cubra los conductos de ventilación con la mano durante el funcionamiento.
La luz de trabajo LED parpadea rápidamente.	La herramienta ha dejado de funcionar para proteger los circuitos internos.	Suelte el interruptor tipo gatillo, espere que la herramienta se enfríe y luego vuelva a encenderla.
La luz de trabajo LED parpadea lentamente.	La carga del paquete de baterías es muy baja.	Cargue el paquete de baterías.

GARANTÍA

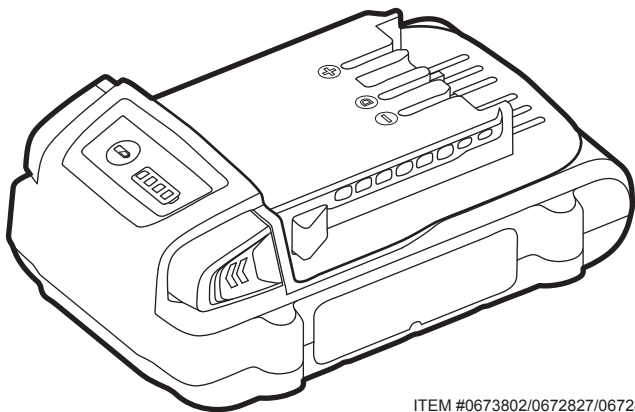
Desde la fecha de compra, la herramienta eléctrica posee una garantía de 5 años, y la batería y el cargador, una garantía de 3 años. Esta garantía se extiende al comprador original para asegurar que los productos están libres de defectos en los materiales y la mano de obra. Esta garantía no cubre daños por uso indebido, desgaste normal, mantenimiento inadecuado, negligencia, reparación o alteración no autorizadas, ni piezas o accesorios desechables cuya inutilidad es esperable después de un período de uso razonable.

Si considera que el producto cumple con los términos de garantía mencionados arriba, devuélvalo al lugar donde lo compró con un comprobante de compra válido y el producto defectuoso se reparará o reemplazará sin cargo. Esta garantía le otorga derechos legales específicos, pero también podría tener otros derechos que varían según el estado.

Lowe's Home Centers LLC. MOORESVILLE, NC 28117

Impreso en China

KOBALT™



ITEM #0673802/0672827/0672823
0672824/0854723/0854725/0856456

COMPACT LITHIUM-ION BATTERY

MODEL #KB 224-03

Español p. 11

ATTACH YOUR RECEIPT HERE

Serial Number _____ **Purchase Date** _____



Questions, problems, missing parts? Before returning to your retailer, call our customer service department at 1-888-3KOBALT (1-888-356-2258), 8 a.m. - 8 p.m., EST, Monday - Friday.

AB15767

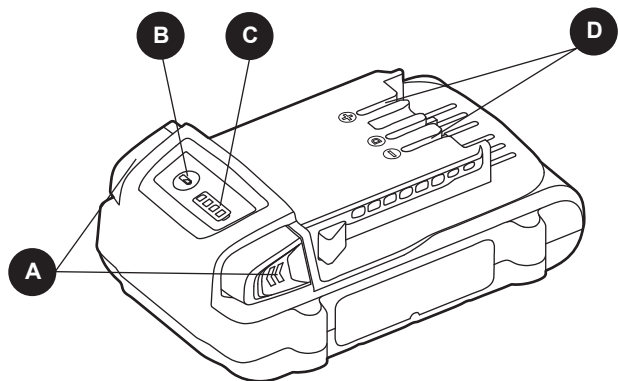
TABLE OF CONTENTS

Product Specifications	2
Package Contents	3
Safety Information	4
Preparation	6
Operating Instructions	7
Care and Maintenance	10
Warranty	10

PRODUCT SPECIFICATIONS

COMPONENT	SPECIFICATIONS
Battery voltage	24V d.c.
Battery capacity	2.0 Ah
Battery type	Lithium-ion
Battery charger model	KRC 2445-03; KRC 2490-03

PACKAGE CONTENTS



PART	DESCRIPTION
A	Battery-release buttons
B	Power-indicator button
C	Power indicator
D	Electrical contacts

! WARNING

- Remove the battery pack from the package and examine it carefully. Do not discard the carton or any packaging material until all parts have been examined.
- If any part of the tool is missing or damaged, do not attach the battery pack or use the tool until the part has been repaired or replaced. Failure to heed this warning could result in serious injury.

SAFETY INFORMATION

Please read and understand this entire manual before attempting to assemble or operate this product. If you have any questions regarding the product, please call customer service at 1-888-3KOBALT, 8 a.m. - 8 p.m., EST, Monday - Friday.

Know the Tool

To operate this battery pack, carefully read this manual and all labels affixed to the battery pack before using it. Keep this manual available for future reference.

Important

This battery pack should be serviced only by a qualified service technician.

Read All Instructions Thoroughly

Battery Pack Safety Warnings

WARNING

- Before using battery pack, read all instructions and cautionary markings on battery pack, battery charger, and tools using battery. Failure to follow the warnings and instructions may result in electric shock, fire and/or serious injury.
- Recharge only with the charger specified by the manufacturer. A charger that is suitable for one type of battery pack may create a risk of fire when used with another battery pack.

SAFETY INFORMATION

- Know your power tool. Read the operator's manual carefully. Learn the tool's applications and limitations, as well as the specific potential hazards related to this tool. Following this rule will reduce the risk of electric shock, fire, or serious injury.
- When battery pack is not in use, keep it away from other metal objects like paperclips, coins, keys, nails, screws or other small metal objects that can make a connection from one terminal to another. Shorting the battery terminals together may cause burns or a fire.
- Do not open the battery. There is risk of a short circuit.
- Battery tools do not have to be plugged into an electrical outlet; they are always in operating condition. Be aware of possible hazards when not using your battery tool or when changing accessories. Following this rule will reduce the risk of electric shock, fire or serious personal injury.
- Do not place battery tools or their batteries near fire or heat. This will reduce the risk of explosion and possible injury.
- Do not crush, drop or damage the battery pack. Do not use a battery pack or charger that has been dropped or received a sharp blow. A damaged battery is subject to explosion. Properly dispose of a dropped or damaged battery immediately.
- Batteries vent hydrogen gas and can explode in the presence of a source of ignition, such as a pilot light. To reduce the risk of serious personal injury, never use any cordless product in the presence of open flame. An exploded battery can propel debris and chemicals. If exposed, flush with water immediately.
- Do not charge the battery in a damp or wet location. Following this rule will reduce the risk of electric shock.
- For best results, your battery should be charged in a location where the temperature is greater than 41°F (5°C) and less than 104°F (40°C). Do not store outside or in vehicles.

SAFETY INFORMATION

- Under extreme usage or temperature conditions, battery leakage may occur. If liquid comes in contact with your skin, wash immediately with soap and water, then neutralize with lemon juice or vinegar. If liquid gets in your eyes, flush them with clean water for at least 10 minutes, then seek immediate medical attention. Following this rule will reduce the risk of serious personal injury.
- Do not let gasoline, oils, petroleum-based products, etc., come in contact with plastic parts. These substances contain chemicals that can damage, weaken or destroy plastic.
- Save these instructions. Refer to them frequently and use them to instruct others who may use this tool. If you lend someone this tool, lend them these instructions also to prevent misuse of the product and possible injury.

PREPARATION

Know Your Battery Pack

Before attempting to use the battery pack, familiarize yourself with all of its operating features and safety requirements.

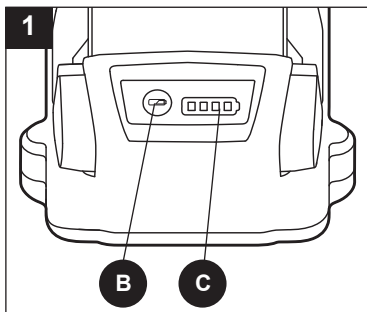
WARNING

- Do not attempt to modify the battery pack or create accessories not recommended for use with this battery pack. Any such alteration or modification is misuse and could result in a hazardous condition leading to possible serious personal injury.

OPERATING INSTRUCTIONS

1. Power Indicator

This lithium-ion battery pack is equipped with a power indicator that displays the battery pack's charge status. Press the power-indicator button (B) to display the LED lights in the power indicator (C). The LED lights will stay lit for approximately 5 seconds. It is recommended that the battery pack be brought up to full charge before starting a big job or using it for an extended period of time.



NOTICE: The power indicator can be used whether the battery is attached or removed from tool.

- ● ● ● 80%-100% charge
- ● ● ○ 60% - 79% charge
- ● ○ ○ 40% - 59% charge
- ○ ○ ○ 20% - 39% charge
- ☼ ○ ○ ○ Fewer than 20% charge
- ☼ ☼ ☼ ☼ Completely discharged or overloaded
- ☼ ○ ☼ ○ High/Low temperature

OPERATING INSTRUCTIONS

Low Capacity Warning

If one LED of the power indicator (C) begins to flash, the battery pack is charged to less than 20% of its capacity and should be recharged.

Unlike other types of battery packs, lithium-ion battery packs deliver fade-free power for their entire run time. The tool will not experience a slow, gradual loss of power as it is used. The power delivered to the tool will drop quickly when the battery pack is at the end of its run time and needs to be charged. It is not necessary to completely discharge the battery pack before recharging. Remove the battery pack from the tool and recharge it when it is convenient or when it is not in use.

Battery Protection

The battery circuitry protects the battery pack from extreme temperature, over-discharge, and over-charge. To protect the battery pack from damage and prolong its life, the battery pack circuitry will turn off the battery pack if it becomes overloaded or if the temperature becomes too high during use. This may happen in extremely high torque, binding, and stalling situations. This system will begin normal operation when it returns to 32°F (0°C) - 122°F (50°C).

The power indicator (C) will display four flashing LED lights if the circuitry detects a momentary overload. Reset the battery pack by pressing the power-indicator button (A). Press the power indicator button again to display the remaining charge.

NOTICE: A significantly reduced run time after fully charging the battery pack indicates that the batteries are near the end of their usable life and must be replaced.

OPERATING INSTRUCTIONS

2. Cold Weather Operation

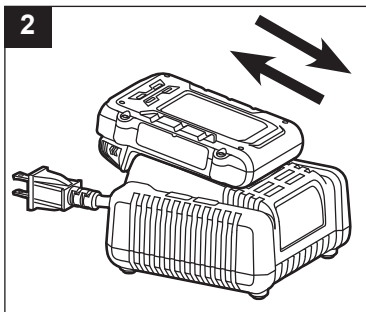
This lithium-ion battery pack will provide optimal performance in temperatures between 32°F (0°C) and 104°F (40°C). When the battery pack is very cold, it may “pulse” for the first minute of use to warm itself. Put the battery pack on a tool and use the tool in a light application. After about a minute, the battery pack will have warmed itself and will operate normally.

3. To Charge the Battery Pack

NOTICE: This lithium-ion battery pack is shipped partially charged. Before using it the first time, fully charge the battery pack.


A fully discharged battery pack will charge in about 85 minutes with charger KRC 2445-03 in a surrounding temperature between 41°F (5°C) and 104°F (40°C).


- Always charge the battery pack with the correct charger.
- Connect the charger to a power supply.
- Attach the battery pack to the charger by aligning the raised ribs of the battery pack with the slot in the charger. Slide the battery pack onto the charger (Fig. 2).




- When the charger indicates the battery pack is fully charged, remove it from the charger.

CARE AND MAINTENANCE

 All maintenance should only be carried out by a qualified service technician.

 Dispose of used battery packs promptly. Keep battery packs away from children. Do not disassemble battery packs and do not dispose of them in fire.

Cleaning

 Before cleaning or performing any maintenance, remove the battery pack from the tool. For safe and proper operation, always keep the tool and its ventilation slots clean.

Always use only a soft, dry cloth to clean your battery pack; never use detergent or alcohol.

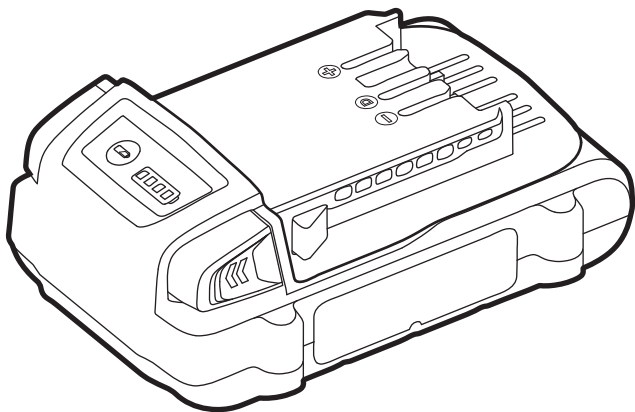
3-YEAR HASSLE-FREE WARRANTY

For 3 years from date of purchase the battery is warranted for the original purchaser to be free from defects in material and workmanship. This guarantee does not cover damage due to abuse, normal wear, improper maintenance, neglect, unauthorized repair/alteration, or expendable parts and accessories expected to become unusable after a reasonable period of use.

If you think your product meets the above guarantee criteria, please return it to the place of purchase with valid proof of purchase and the defective product will be repaired or replaced at no charge. This guarantee gives you specific legal rights, and you may also have other rights that vary from state to state.

Printed in China

KOBALT™



ARTÍCULO #0673802/0672827/0672823
0672824/0854723/0854725/0856456

BATERÍA COMPACTA DE LITIO IÓN

MODELO #KB 224-03

ADJUNTE SU RECIBO AQUÍ

Número de serie _____ **Fecha de compra** _____



¿Preguntas, problemas, piezas faltantes? Antes de volver a la tienda, llame a nuestro Departamento de Servicio al Cliente al 1-888-3KOBALT (1-888-356-2258), de lunes a viernes de 8 a.m. a 8 p.m., hora estándar del Este.

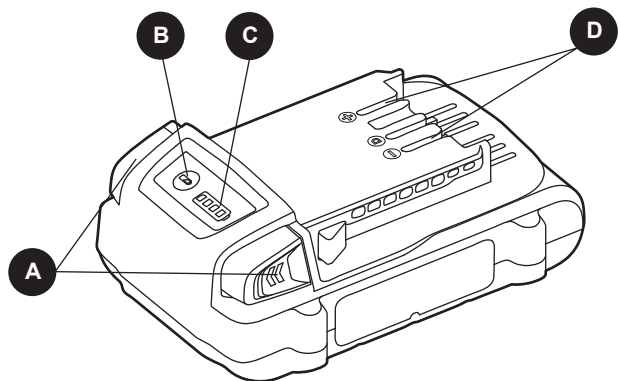
ÍNDICE

Especificaciones del producto	12
Contenido del paquete	13
Información de seguridad	14
Preparación	16
Instrucciones de funcionamiento	17
Cuidado y mantenimiento	20
Garantía	20

ESPECIFICACIONES DEL PRODUCTO

COMPONENTE	ESPECIFICACIONES
Voltaje de la batería	24V c.c.
Capacidad de la Batería	2,0 Ah
Tipo de batería	Litio-ión
Modelo de cargador de batería	KRC 2445-03; KRC 2490-03

CONTENIDO DEL PAQUETE



PIEZA	DESCRIPCIÓN
A	Botones de liberación de la batería
B	Botón indicador de encendido
C	Indicador de alimentación
D	Contactos eléctricos

⚠ ADVERTENCIA

- Retire el paquete de baterías del paquete y examínelo con cuidado. No deseché la caja ni ningún material de embalaje hasta después de examinar todas las piezas.
- Si falta alguna pieza o si alguna pieza está dañada, no fije el paquete de baterías ni use la herramienta hasta reparar o reemplazar la pieza. El incumplimiento de esta advertencia podría provocar lesiones graves.

INFORMACIÓN DE SEGURIDAD

Lea y comprenda por completo este manual antes de intentar ensamblar u operar este producto. Si tiene preguntas relacionadas con el producto, llame al Departamento de Servicio al Cliente al 1-888-3KOBALT, de lunes a jueves de 8 a.m. a 8 p.m., hora estándar del Este.

Conozca la herramienta

Para operar este paquete de baterías, lea detenidamente este manual y todas las etiquetas fijadas en el paquete de baterías antes de usarlo. Guarde este manual para referencia futura.

Importante

Solo un técnico calificado puede reparar este paquete de baterías.

Lea por completo todas las instrucciones

Advertencias de seguridad para el paquete de baterías

ADVERTENCIA

- Antes de usar el paquete de baterías, lea todas las instrucciones y las marcas de precaución en el paquete de baterías, en el cargador de la batería y en las herramientas que utilicen la batería. El incumplimiento de las advertencias y las instrucciones podría provocar descargas eléctricas, incendios o lesiones graves.
- Recargue únicamente con el cargador especificado por el fabricante. Un cargador adecuado para un tipo de paquete de baterías puede crear un riesgo de incendio cuando se usa con otro paquete de baterías.
- Conozca su herramienta eléctrica. Lea el manual del operador con atención. Conozca las aplicaciones y las limitaciones de la herramienta, así como también los posibles peligros específicos relacionados con esta herramienta. Al seguir esta norma se disminuirá el riesgo de descargas eléctricas, incendios o lesiones graves.

INFORMACIÓN DE SEGURIDAD

- Cuando el paquete de baterías no está en uso, aléjelo de objetos metálicos, como sujetapapeles, monedas, llaves, clavos, tornillos u otros objetos metálicos pequeños que pudieran crear una conexión entre los terminales. Es posible que una conexión entre los terminales produzca quemaduras o un incendio.
- No abra la batería. Existe el riesgo de que se produzca un cortocircuito.
- Las herramientas con batería no se deben enchufar en un tomacorriente; siempre están en condiciones de funcionamiento. Tenga en cuenta que hay posibles peligros cuando no usa su herramienta con batería o cuando cambia los accesorios. Al seguir esta norma disminuirá el riesgo de una descarga eléctrica, incendio o lesiones personales graves.
- No coloque las herramientas con batería ni sus baterías cerca del fuego o calor. Esto disminuirá el riesgo de explosión y de posibles lesiones.
- No aplaste, deje caer ni dañe el paquete de baterías. No utilice un paquete de baterías que se haya caído o que haya recibido un golpe fuerte. Una batería dañada puede explotar. Deseche de inmediato y de forma adecuada una batería que se haya caído o presente daños.
- Las baterías emanan gas hidrógeno y pueden explotar en la presencia de una fuente de ignición, como una luz piloto. Para reducir el riesgo de lesiones personales graves, nunca utilice un producto inalámbrico en la presencia de una llama abierta. La explosión de una batería puede lanzar desechos y químicos. Si se expone, enjuague inmediatamente con agua.
- No coloque la batería en una ubicación húmeda o mojada. El cumplimiento de esta norma reduce el riesgo de descarga eléctrica.
- Para obtener los mejores resultados, la batería se debe cargar en una ubicación donde la temperatura sea superior a 5 °C (41 °F) pero inferior a 40 °C (104 °F). No almacene en el exterior ni en vehículos.

INFORMACIÓN DE SEGURIDAD

- Es posible que se produzcan fugas de la batería bajo condiciones extremas de temperatura o uso. Si un líquido entra en contacto con su piel, lave inmediatamente con agua y jabón, luego neutralice con jugo de limón o vinagre. Si entra líquido en sus ojos, enjuáguelos con agua limpia durante al menos 10 minutos, luego busque atención médica inmediatamente. El cumplimiento de esta norma reduce el riesgo de lesiones personales graves.
- No permita que gasolina, aceites, productos a base de petróleo, etc. entren en contacto con las piezas de plástico. Estas sustancias contienen químicos que pueden dañar, debilitar o destruir el plástico.
- Guarde estas instrucciones. Consúltelas a diario y utilícelas para instruir a otras personas que puedan utilizar esta herramienta. Si presta esta herramienta a alguien, préstele también estas instrucciones para evitar un uso inadecuado del producto y posibles lesiones.

PREPARACIÓN

Información acerca del paquete de baterías

Antes de intentar usar el paquete de baterías, familiarícese con todas sus características de operación y requisitos de seguridad.

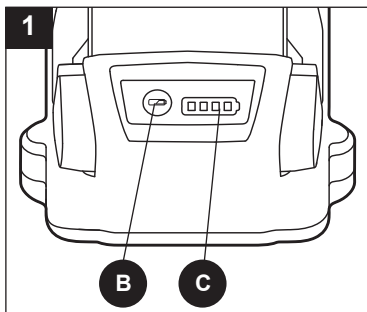
ADVERTENCIA

- No intente modificar el paquete de baterías ni crear accesorios que no estén recomendados para utilizar con este paquete de baterías. Cualquier alteración o modificación se la considera como un mal uso del producto y podría causar una condición peligrosa que podría conllevar lesiones personales graves.

INSTRUCCIONES DE FUNCIONAMIENTO

1. Indicador de alimentación

Este paquete de baterías de litio-ión está equipado con un indicador de alimentación que muestra el estado de la carga del paquete de baterías. Presione el botón indicador de alimentación (B) para mostrar las luces de bombilla LED en el indicador de alimentación (C). Las luces de bombilla LED permanecerán encendidas por aproximadamente 5



segundos. Se recomienda que el paquete de baterías esté cargado por completo antes de comenzar un trabajo grande o antes de usarlo por un periodo largo de tiempo.

AVISO: El indicador de alimentación se puede usar si la batería está o no en la herramienta.

- ● ● ● 80% a 100% de carga
- ● ● ○ 60% a 79% de carga
- ● ○ ○ 40% a 59% de carga
- ○ ○ ○ 20% a 39% de carga
- ☀ ○ ○ ○ Menos de 20% de carga
- ☀ ☀ ☀ ☀ Completamente descargado o sobrecargado
- ☀ ○ ☀ ○ Temperatura alta/baja

INSTRUCCIONES DE FUNCIONAMIENTO

Advertencia de poca capacidad

Si una bombilla LED del indicador de alimentación (C) comienza a destellar, el paquete de baterías está cargado con menos del 20% de su capacidad y se debe volver a cargar.

A diferencia de otros paquetes de baterías, los paquetes de baterías de litio-ión entregan una fuerza que no decae durante todo su funcionamiento. La herramienta no sufrirá una pérdida gradual y lenta de potencia mientras se usa. La potencia que se entrega a la herramienta bajará rápidamente cuando el paquete de baterías se encuentre al final de su tiempo de funcionamiento y se deba cargar. No es necesario descargar completamente el paquete de baterías antes de volver a cargarlo. Retire el paquete de baterías de la herramienta y recárguelo cuando sea conveniente o cuando no esté en uso.

Protección de la batería

El circuito de la batería protege al paquete de baterías de la temperatura extrema, sobre descarga y sobre carga. Para proteger el paquete de baterías de daños y prolongar su vida, el circuito del paquete de baterías apagará el paquete de baterías si se sobrecarga o si la temperatura sube demasiado mientras está en uso. Esto puede suceder en situaciones de torsión extremadamente alta, trabas y atascamiento. Este sistema comenzará con su funcionamiento normal cuando la batería regrese entre 0 °C (32 °F) y 50 °C (122 °F).

El indicador de alimentación (C) mostrará cuatro luces de bombilla LED intermitentes si el circuito detecta una sobrecarga momentánea. Reinicie el paquete de baterías al presionar el botón de indicador de alimentación (A). Presione el botón de indicador de alimentación nuevamente para mostrar lo que queda de la carga.

AVISO: Una disminución notable del tiempo de funcionamiento después de cargar por completo el paquete de baterías, indica que las baterías están llegando al final de su vida útil y se deben reemplazar.

INSTRUCCIONES DE FUNCIONAMIENTO

2. Uso en clima frío

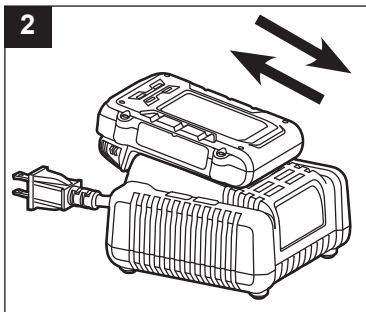
El paquete de baterías de litio ión proporcionará un rendimiento óptimo en un ambiente con temperaturas entre 0 °C (32 °F) y 40 °C (104 °F). Cuando el paquete de baterías está muy frío, puede que “pulse” durante el primer minuto de uso para entibiarse. Coloque el paquete de baterías en una herramienta y use la herramienta en una aplicación ligera. Después de un minuto, el paquete de baterías se habrá entibiado y funcionará con normalidad.

3. Para cargar el paquete de baterías

AVISO: Este paquete de baterías de litio ión se envía con una carga parcial. Antes de usarlo por primera vez, debe cargar el paquete de baterías por completo.

El paquete de baterías completamente descargado se cargará en 85 minutos con el cargador KRC 2445-03 en un ambiente con temperaturas entre 5 °C (41 °F) y 40 °C (104 °F).

- Siempre cargue el paquete de baterías con el cargador correcto.
- Conecte el cargador a un suministro de electricidad.
- Conecte el paquete de baterías al cargador al alinear las varillas elevadas del paquete de baterías con la ranura en el cargador. Deslice el paquete de baterías sobre el cargador (Fig. 2).
- Cuando el cargador indica que el paquete de baterías está completamente cargado, retírelo del cargador.



CUIDADO Y MANTENIMIENTO

! Todos los mantenimientos se deben realizar únicamente por un técnico de servicio calificado.

! Deseche de inmediato los paquetes de baterías usados. Mantenga los paquetes de baterías alejados de los niños. No desensamble ni incinere los paquetes de baterías.

Limpieza

! Antes de limpiar o realizar cualquier mantenimiento, retire el paquete de baterías de la herramienta. Para un uso seguro y adecuado, siempre mantenga limpias la herramienta y sus ranuras de ventilación.

Siempre use solamente un paño suave y seco para limpiar el paquete de baterías; nunca use detergente ni alcohol.

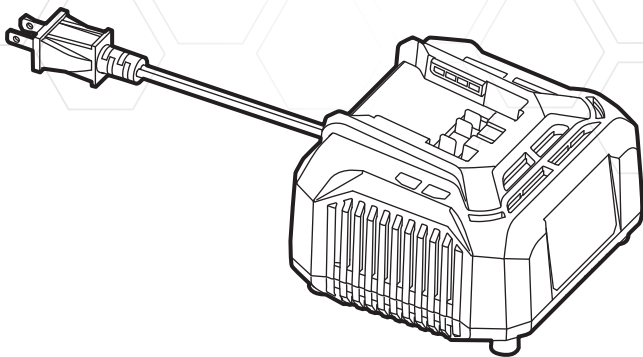
3 AÑOS DE GARANTÍA SIN PROBLEMAS

La batería está garantizada contra defectos de fabricación en materiales y mano de obra por 3 años desde la fecha de compra para el comprador original. Esta garantía no cubre daños por el abuso, desgaste normal, mantenimiento inadecuado, negligencia, reparación/ alteración no autorizada o piezas fungibles y accesorios que se esperan que sean inutilizables después de un período de uso razonable.

Si cree que este producto cumple con la garantía mencionada arriba, devuelva el producto al lugar donde lo compró con un comprobante de compra válido y el producto defectuoso se reparará o reemplazará sin cargo. Esta garantía le otorga derechos legales específicos, pero también podría tener otros derechos que varían según el estado.

Impreso en China

KOBALT™



ITEM #4963560/4963562/4965674/
4913878/4913880/4913884/4913885/5142666/4891704

KOBALT and logo design are trademarks or registered trademarks of LF, LLC. All rights reserved.

LITHIUM-ION CHARGER

MODEL #KCH 2401-03

Español p.17

ATTACH YOUR RECEIPT HERE

Serial Number _____ Purchase Date _____



Questions, problems, missing parts? Before returning to your retailer, call our customer service department at 888-3KOBALT (888-356-2258), 8 a.m.-8 p.m., EST, Monday-Sunday. You could also contact us at partsplus@lowes.com.

AS21791

TABLE OF CONTENTS

Product Specifications	3
Package Contents	4
Safety Information	5
Preparation	10
Operating Instructions	11
Care and Maintenance	14
Warranty	15

PRODUCT SPECIFICATIONS

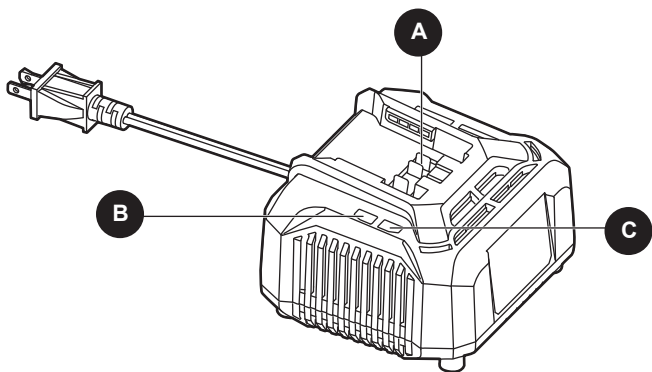
COMPONENT	SPECIFICATIONS
Rated input	120V ~, 60Hz, 85W
Rated output	25.2V d.c.
Recommended charging temperature	41°F (5°C) - 104°F (40°C)

NOTICE: Use with the following batteries only.

BATTERY PACK	VOLTAGE	TYPE	BATTERY CAPACITY	APPROXIMATE CHARGING TIME *
KB 224-03	24V	Li-Ion	2.0 Ah	55 min
KB 424-03	24V	Li-Ion	4.0 Ah	85 min
KB 524-03	24V	Li-Ion	5.0 Ah	100 min
KB 624-03	24V	Li-Ion	6.0 Ah	120 min
KXB 424-03	24V	Li-Ion	4.0 Ah	85 min
KXB 824-03	24V	Li-Ion	8.0 Ah	150 min

* Estimated charging time for a fully discharged battery within recommended charging temperature range.

PACKAGE CONTENTS



PART	DESCRIPTION
A	Electric terminals
B	Green LED charge indicator
C	Red LED charge indicator

WARNING

- Remove the tool from the package and examine it carefully. Do not discard the carton or any packaging material until all parts have been examined.
- If any part of the tool is missing or damaged, do not attach the battery pack or use the tool until the part has been repaired or replaced. Failure to heed this warning could result in serious injury.

SAFETY INFORMATION

Please read and understand this entire manual before attempting to assemble or operate this product. If you have any questions regarding the product, please call customer service at 888-3KOBALT (888-356-2258) , 8 a.m. - 8 p.m., EST, Monday - Sunday. You could also contact us at partsplus@lowes.com.

Know the Tool

To operate this tool, carefully read this manual and all labels affixed to the tool before using it. Keep this manual available for future reference.

Important

This tool should be serviced only by a qualified service technician.

Read All Instructions Thoroughly

IMPORTANT SAFETY INSTRUCTIONS- SAVE THESE INSTRUCTIONS

DANGER – TO REDUCE THE RISK OF FIRE OR ELECTRIC SHOCK, CAREFULLY FOLLOW THESE INSTRUCTIONS

Specific Safety Warnings for Charger

WARNING

- Read and understand all instructions. Failure to follow all instructions listed below may result in electric shock, fire, and/or serious personal injury.
- Before using the battery charger, read all instructions and cautionary markings in this manual and on the battery charger. Also read all the instructions in the manuals for and the cautionary markings on the battery and the product using the battery to prevent misuse of the products and possible injury or damage.

SAFETY INFORMATION

CAUTION

- To reduce the risk of electric shock or damage to the charger and battery, charge only those rechargeable batteries specifically designated on your charger's label. Other types of batteries may burst, causing personal injury or damage.
- Do not use the charger outdoors or expose it to wet or damp conditions. Water entering the charger will increase the risk of electric shock.
- Use of an attachment not recommended or sold by the battery charger manufacturer may result in a risk of fire, electric shock or injury to persons.
- Do not abuse the cord or charger. Never use the cord to carry the charger. Do not pull the charger cord to disconnect the plug from a receptacle. Damage to the cord or charger could occur and create an electric shock hazard. Replace damaged cords immediately.
- Make sure that the cord is located so that it will not be stepped on, tripped over, come in contact with sharp edges or moving parts, or otherwise be subjected to damage or stress. This will reduce the risk of accidental falls, which could cause injury and damage to the cord, which could then result in electric shock.
- Keep the cord and charger away from heat to prevent damage to the housing or internal parts.
- This appliance is not intended for use by persons (including children) with reduced physical, sensory or mental capabilities, or lack of experience and knowledge, unless they have been given supervision or instruction concerning use of the appliance by a person responsible for their safety.
- Children should be supervised to ensure that they do not play with the appliance.

SAFETY INFORMATION

- If the supply cord is damaged, it must be replaced by the manufacturer, its service agent or similarly qualified persons in order to avoid a hazard.
- Do not allow gasoline, oils, petroleum-based products, etc., to come in contact with plastic parts. These materials contain chemicals that can damage, weaken, or destroy plastic.
- An extension cord should not be used unless absolutely necessary. Use of an improper extension cord could result in a risk of fire and electric shock. If an extension cord must be used, make sure that:
 - The pins on the plug of extension cord are the same number, size and shape as those of the plug on charger.
 - The cord is properly wired and in good electrical condition.
 - The size is large enough for A/C ampere rating of charger as specified below:

Cord Length (Feet)	25 ft.	50 ft.	100 ft.
Cord Size (AWG)	16	16	16

NOTE: AWG = American Wire Gauge

- Do not operate the charger with a damaged cord or plug, which could cause shorting and electric shock. If damaged, have the charger repaired or replaced by a qualified service technician.
- Do not operate the charger if it has received a sharp blow, been dropped, or has otherwise been damaged in any way. Take it to a qualified service technician for an electrical check to determine if the charger is in good working order.
- Do not disassemble the charger. Take it to a qualified service technician when service or repair is required. Incorrect reassembly may result in a risk of electric shock or fire.

SAFETY INFORMATION

- Unplug the charger from the electrical outlet before attempting any maintenance or cleaning to reduce the risk of electric shock.
- Disconnect charger from the power supply when not in use. This will reduce the risk of electric shock or damage to the charger if metal items should fall into the opening. It will also help prevent damage to the charger during a power surge.
- Risk of electric shock. Do not touch the uninsulated portion of output connector or uninsulated battery terminal.
- Save these instructions. Refer to them frequently and use them to instruct others who may use this tool. If you loan this tool to someone else, also loan these instructions to them to prevent misuse of the product and possible injury.

DANGER

- People with electronic devices, such as pacemakers, should consult their physician(s) before using this product. Operation of electrical equipment in close proximity to a heart pacemaker could cause interference or failure of the pacemaker.

FCC Statement

- This device complies with Part 15 of the FCC Rules. Operation is subject to the following two conditions:
 - This device may not cause harmful interference.
 - This device must accept any interference received, including interference that may cause undesired operation.
- Changes or modifications not expressly approved by the party responsible for compliance could void the user's authority to operate the equipment.

SAFETY INFORMATION

NOTICE: This equipment has been tested and found to comply with the limits for a Class B digital device, pursuant to Part 15 of the FCC Rules. These limits are designed to provide reasonable protection against harmful interference in a residential installation. This equipment generates, uses, and can radiate radio frequency energy and, if not installed and used in accordance with the instructions, may cause harmful interference to radio communications. However, there is no guarantee that interference will not occur in a particular installation. If this equipment does cause harmful interference to radio or television reception, which can be determined by turning the equipment off and on, the user is encouraged to try to correct the interference by one or more of the following measures: Reorient or relocate the receiving antenna. Increase the separation between the equipment and receiver. Connect the equipment into an outlet on a circuit different from that to which the receiver is connected. Consult the dealer or an experienced radio/TV technician for help.

PREPARATION

Know Your Battery Charger

Before attempting to use the battery charger, familiarize yourself with all of its operating features and safety requirements.



WARNING

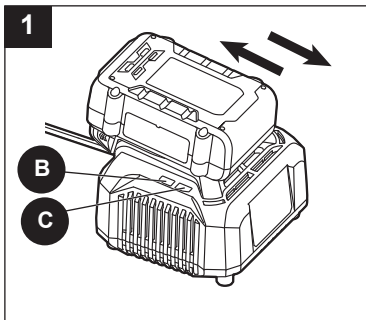
- Do not allow familiarity with the battery charger to cause carelessness. Remember that one careless moment is enough to cause severe injury. Before attempting to use any tool, be sure to become familiar with all of the operating features and safety instructions.
- Do not attempt to modify this charger or create accessories not recommended for use with this charger. Any such alteration or modification is misuse and could result in a hazardous condition leading to possible serious personal injury.
- Do not attempt to recharge non-rechargeable batteries with the charger.

OPERATING INSTRUCTIONS

1. To Charge a Battery Pack

NOTICE: Battery packs are shipped in a low charge condition to prevent possible problems. Before using it the first time, fully charge the battery pack.

- a. Make sure that the battery pack is compatible with this charger.
- b. Connect the charger to a power supply. The red and green LED charge indicators (B) and (C) will illuminate for approximately 1 second and then turn off.
- c. Attach the battery pack to the charger by aligning the raised ribs of the battery pack with the slot in the charger. Slide the battery pack onto the charger (Fig. 1).
- d. The charger will communicate with the battery pack's circuitry to evaluate the condition of the battery pack. Please refer to the "Charger Display" section.
- e. The green LED (B) will flash continuously during normal charging.
- f. After charging is complete, the green LED (B) on the charger will be continuously on and the power indicator LEDs on the battery pack will turn off. The power indicator LEDs on the battery pack will illuminate when the power indicator button is pressed when the battery pack is detached from the charger.



NOTICE:

- When the battery pack is fully charge disconnect it form the charger.
- The charger may get warm with several continuous charge cycles. This is part of the normal operation of the charger.

OPERATING INSTRUCTIONS

WARNING

- Do not charge batteries in closed environment.

Lithium-Ion Batteries

It is not necessary to run down the Lithium-Ion battery pack charge before recharging. Remove the battery pack from the tool and recharge it whenever it is convenient.

Charging a hot battery pack





If a battery pack that exceeds the normal temperature is inserted, the red LED charge indicator (C) will turn on and the green LED indicator (B) will go out. When the temperature of the battery pack drops to a suitable temperature, the charger will automatically start charging.

Charging a cold battery pack

If a battery pack that is below the normal temperature is inserted, the red LED charge indicator (C) will turn on and the green LED indicator (B) will go out. When the temperature of the battery pack rises to a suitable temperature, the charger can automatically start charging.

OPERATING INSTRUCTIONS

2. Charger Display

INDICATOR	GREEN LED (B)	RED LED (C)	EXPLANATION
	Flashing	Off	Battery pack is charging normally.
	On	Off	Battery pack is fully charged.
	Off	Flashing or off	Battery pack or charger error. Refer to “Troubleshooting” chapter.
	Off	On	Battery pack is out of recommended temperature range (too cold or too hot).

Troubleshooting

When the charger detects a problem, the red LED charge indicator (C) will flash and the green light will go out.

- When the red LED charge indicator (C) flashes, remove the battery pack and reinsert it into the charger. If the red LED indicator (C) still flashes, try a different battery pack.
- If the replacement battery pack can be charged, it means that the previous battery pack is broken and needs to be serviced or replaced.
- If the red light still flashes after trying a different battery pack, unplug the charger’s power cord, wait for the red LED indicator (C) to go out, and then plug the charger back into power outlet.

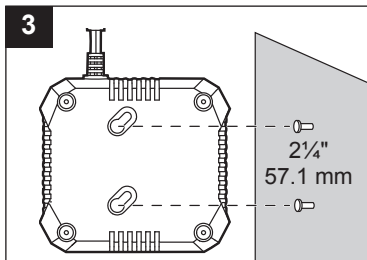
OPERATING INSTRUCTIONS

- d. If the LED indicator (C) is still flashing after reconnecting the charger, it means that the charger may be broken and needs to be serviced or replaced.

3. Wall-mount holes

The charger has hanging holes for convenient storage.

Install screws in the wall 2-1/4 inches (57.1 mm) apart vertically. Use screws sufficiently strong to hold the combined weight of the charger and battery pack.



CARE AND MAINTENANCE

⚠ All maintenance should only be carried out by an authorized service organization.

Cleaning

⚠ Before cleaning or performing any maintenance, disconnect the battery charger from the power source. For safe and proper operation, always keep the charger and its ventilation slots clean.

Always use only a soft, dry cloth to clean your charger; never use detergent or alcohol.

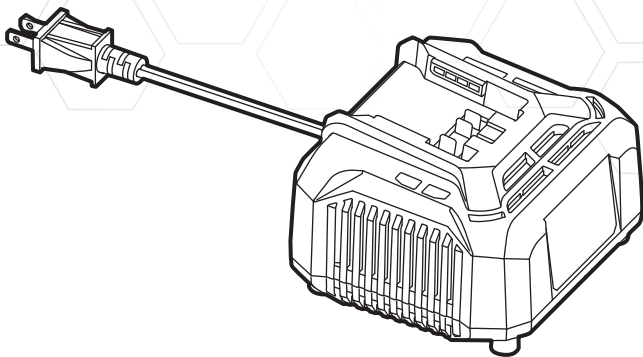
3-YEAR HASSLE-FREE WARRANTY

For 3 years from date of purchase the charger is warranted for the original purchaser to be free from defects in material and workmanship. This guarantee does not cover damage due to abuse, normal wear, improper maintenance, neglect, unauthorized repair/alteration, or expendable parts and accessories expected to become unusable after a reasonable period of use.

If you think your product meets the above guarantee criteria, please return it to the place of purchase with valid proof of purchase and the defective product will be repaired or replaced at no charge. This guarantee gives you specific legal rights, and you may also have other rights that vary from state to state.

Lowe's Home Centers LLC.
 Mooresville, NC 28117
 Printed in China

KOBALT™



ARTÍCULO #4963560/4963562/4913878/
4913880/4913884/4913885/5142666/4891704

KOBALT y el diseño del logotipo son marcas comerciales o marcas registradas de LF, LLC. Todos los derechos reservados.

CARGADOR DE BATERÍA DE IONES DE LITIO

MODELO #KCH 2401-03

ADJUNTE SU RECIBO AQUÍ

Número de serie _____ Fecha de compra _____



¿Preguntas, problemas, piezas faltantes? Antes de volver a la tienda, llame a nuestro Departamento de Servicio al Cliente al 888-3KOBALT (888-356-2258), de lunes a domingo de 8 a.m. a 8 p.m., hora estándar del Este. También puede ponerse en contacto con nosotros en partsplus@lowes.com.

ÍNDICE

Especificaciones del producto.	19
Contenido del paquete	20
Información de seguridad	21
Preparación.	26
Instrucciones de funcionamiento.	27
Cuidado y mantenimiento	31
Garantía	31

ESPECIFICACIONES DEL PRODUCTO

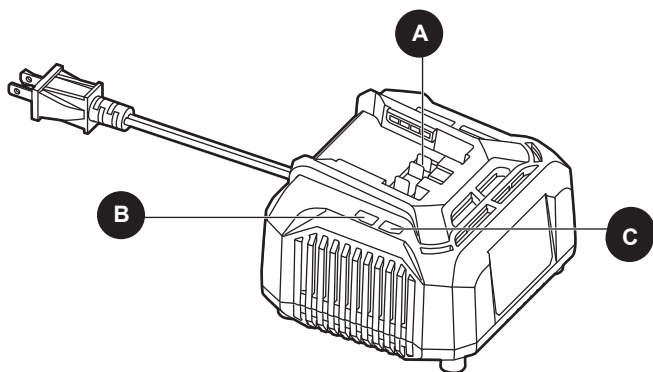
COMPONENTE	ESPECIFICACIONES
Consumo nominal	120 V- 60 Hz, 12 A
Potencia nominal	25.2 V CC
Temperatura de carga recomendada	De 5° C (41 °F) a 40 °C (104 °F)

AVISO: para usar solo con las siguientes baterías.

BATERÍA	VOLTAJE	TIPO	CAPACIDAD DE LA BATERÍA	TIEMPO DE CARGA APROXIMADO *
KB 224-03	24 V	iones de litio	2.0 Ah	55 min
KB 424-03	24 V	iones de litio	4.0 Ah	85 min
KB 524-03	24 V	iones de litio	5.0 Ah	100 min
KB 624-03	24 V	iones de litio	6.0 Ah	120 min
KXB 424-03	24 V	iones de litio	4.0 Ah	85 min
KXB 824-03	24 V	iones de litio	8.0 Ah	150 min

* Tiempo de carga estimado para una batería completamente descargada dentro del rango de temperatura de carga recomendado.

CONTENIDO DEL PAQUETE



PIEZA	DESCRIPCIÓN
A	Terminales eléctricos
B	Indicador de carga LED de luz verde
C	Indicador de carga LED de luz roja

! ADVERTENCIA

- Retire la herramienta del paquete y examínela cuidadosamente. No deseche la caja ni ningún material de embalaje hasta después de examinar todas las piezas.
- Si falta alguna pieza de la herramienta o si alguna pieza está dañada, no fije el paquete de baterías ni use la herramienta hasta reparar o reemplazar la pieza. No seguir esta advertencia podría provocar lesiones graves.

INFORMACIÓN DE SEGURIDAD

Lea y comprenda completamente este manual antes de intentar ensamblar u operar este producto. Si tiene preguntas relacionadas con el producto, comuníquese con Servicio al Cliente al 888-3KOBALT (888-356-2258), de lunes a domingo, de 8 a. m. a 8 p. m., hora estándar del Este. También puede ponerse en contacto con nosotros en partsplus@lowes.com.

Conozca la herramienta

Para operar esta herramienta, lea cuidadosamente este manual y todas las etiquetas adheridas a la herramienta antes de usarla. Guarde este manual para referencia futura.

Importante

Solo un técnico calificado puede reparar esta herramienta.

Lea por completo todas las instrucciones

INSTRUCCIONES IMPORTANTES DE SEGURIDAD: GUARDE ESTAS INSTRUCCIONES

PELIGRO: PARA DISMINUIR EL RIESGO DE INCENDIO O DESCARGA ELÉCTRICA, SIGA CON DETENIMIENTO ESTAS INSTRUCCIONES.

Advertencias de seguridad específicas del cargador

ADVERTENCIA

- Lea y comprenda todas las instrucciones. Si no se siguen todas las instrucciones detalladas a continuación, existe la posibilidad de una descarga eléctrica, un incendio y/o lesiones graves a la persona.
- Antes de usar el cargador de batería, lea todas las instrucciones y las marcas de precaución del cargador en este manual y en el cargador de batería. También lea las instrucciones en los manuales para las marcas de precaución en la batería y en el producto que usa batería para evitar el uso indebido de los productos y posibles lesiones o daños.

INFORMACIÓN DE SEGURIDAD

PRECAUCIÓN

- Para reducir el riesgo de descarga eléctrica o daño al cargador o a la batería, cargue solo las baterías recargables designadas específicamente en la etiqueta de su cargador. Otros tipos de baterías podrían explotar y causar lesiones o daños.
- No utilice el cargador en exteriores ni lo exponga a condiciones húmedas o al agua. Si ingresa agua en el cargador, aumentará el riesgo de una descarga eléctrica.
- El uso de un accesorio no recomendado ni vendido por el fabricante del cargador de batería puede ocasionar riesgo de incendios, descargas eléctricas o lesiones a personas.
- No maltrate el cable o el cargador. Nunca use el cable para llevar el cargador. Nunca jale el cable de alimentación para desconectar el enchufe de un tomacorriente. Puede dañar el cable o el cargador y crear un peligro de descarga eléctrica. Reemplace los cables dañados inmediatamente.
- Asegúrese de saber dónde está el cable para evitar pisarlo, tropezarse con él, tener contacto con bordes filosos o piezas que se muevan para evitar dañarlo de alguna otra forma. Esto reducirá el riesgo de caídas accidentales, las cuales pueden causar lesiones y daño al cable, y, por ende, pueden provocar una descarga eléctrica.
- Mantenga el cable y el cargador alejados del calor para evitar daños a las piezas internas o a la carcasa.
- Este electrodoméstico no debe ser usado por personas (incluidos niños) con capacidades físicas, sensoriales o mentales reducidas o sin experiencia ni conocimientos, a menos que una persona responsable de su seguridad les brinde supervisión o capacitación respecto al uso del electrodoméstico.
- Se debe supervisar a los niños pequeños para asegurarse de que no jueguen con el electrodoméstico.

INFORMACIÓN DE SEGURIDAD

- Si el cable de alimentación está dañado, debe reemplazarlo el fabricante, su empresa de servicio o alguna persona con calificación similar para evitar peligros.
- No permita que gasolina, aceites, productos a base de petróleo, etc. entren en contacto con las piezas de plástico. Estos materiales contienen químicos que pueden dañar, debilitar o destruir el plástico.
- No se debe utilizar una extensión eléctrica a menos que sea absolutamente necesario. El uso de una extensión eléctrica inapropiada podría causar riesgo de incendio y de descarga eléctrica. Si es necesario utilizar una extensión eléctrica, asegúrese de:
 - Los pasadores en el enchufe de la extensión eléctrica deben ser del mismo número, tamaño y forma que los del enchufe del cargador.
 - La extensión eléctrica debe estar conectada de forma adecuada y en buenas condiciones eléctricas.
 - El tamaño es lo suficientemente grande para el amperaje C/A que figura en el cargador como se especifica a continuación:

Largo del cable (metros)	7,62 m	15,24 m	30,48 m
Tamaño del cable (AWG)	16	16	16

NOTA: AWG = Calibre de conductores estadounidense

- No usar el cargador con un cable o enchufe dañado, ya que esto puede provocar un cortocircuito o una descarga eléctrica. Si se encuentra dañado, un técnico de servicio autorizado debe reparar o reemplazar el cargador.
- No usar el cargador si recibió un golpe fuerte, se cayó o dañó de alguna forma. Llévelo a un técnico de servicio calificado para revisarlo y determinar si el cargador está en buenas condiciones.

INFORMACIÓN DE SEGURIDAD

- No desensamblar el cargador. Llévelo a un técnico de servicio calificado cuando requiera reparación o mantenimiento. El volver a ensamblar en forma incorrecta puede provocar un riesgo de descarga eléctrica o incendio.
- Desenchufe el cargador del tomacorriente antes de realizar cualquier mantenimiento o limpieza, para así disminuir el riesgo de descarga eléctrica.
- Desconectar el cargador del suministro de electricidad cuando no esté en uso. Esto reducirá el riesgo de una descarga eléctrica o daño del cargador, si artículos de metal caen dentro de la abertura. También ayudará a evitar daños al cargador durante una sobrecarga de alimentación.
- Riesgo de descarga eléctrica. No tocar la parte no aislada del conector de salida o del terminal de la batería no aislada.
- Guarde estas instrucciones. Consúltelas periódicamente y utilícelas para capacitar a otras personas que puedan utilizar esta herramienta. Si presta la herramienta a alguien más, préstele también estas instrucciones para prevenir el mal uso del producto y posibles lesiones.

PELIGRO

- Las personas con dispositivos electrónicos, como marcapasos, deben consultar a su médico antes de usar este producto. El funcionamiento del equipo eléctrico cerca de un marcapasos cardíaco puede causar interferencias o provocar una falla del marcapasos.

Declaración de la FCC

- Este dispositivo cumple con la sección 15 de las reglas de la FCC. El funcionamiento está sujeto a las siguientes dos condiciones:
 - Este dispositivo no debe causar interferencia perjudicial.
 - Este dispositivo deberá aceptar cualquier interferencia recibida, incluyendo la interferencia que pudiese causar la operación no deseada.

INFORMACIÓN DE SEGURIDAD

- Los cambios o las modificaciones que no estén expresamente aprobados por la parte responsable del cumplimiento con las regulaciones podrían anular la autorización del usuario para utilizar el equipo.

AVISO: este equipo se probó y se verificó su cumplimiento con los límites para un dispositivo digital de clase B, conforme a la sección 15 de las reglas de la Comisión Federal de Comunicaciones (FCC, por sus siglas en inglés). Estos límites están diseñados para proporcionar protección razonable contra interferencias perjudiciales en una instalación residencial. Este equipo genera, utiliza y puede irradiar energía de radiofrecuencia y, si no se instala y usa de acuerdo con las instrucciones, puede causar interferencia perjudicial a las comunicaciones de radio. Sin embargo, no se garantiza que no se producirán interferencias en una instalación en especial. Si este equipo causa interferencia perjudicial a la recepción de radio o televisión, lo que se puede determinar al encender y apagar el equipo, se recomienda al usuario que intente corregir la interferencia con una o más de las siguientes medidas: reorientar o reubicar la antena de recepción. Aumentar la separación entre el equipo y el receptor. Conectar el equipo a un tomacorriente de un circuito distinto al que usa el receptor. Solicitar ayuda al distribuidor o a un técnico con experiencia en radio/TV.

PREPARACIÓN

Información acerca del cargador de la batería

Antes de intentar usar el cargador de la batería, familiarícese con todas sus características de operación y requisitos de seguridad.



ADVERTENCIA

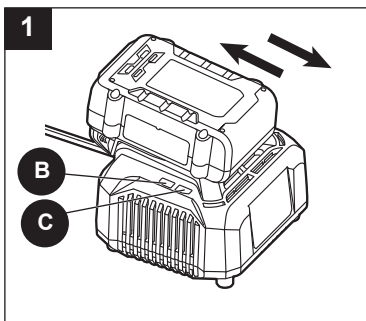
- No permita que la familiaridad con el cargador de batería disminuya su nivel de responsabilidad frente al producto. Recuerde que un momento de descuido es suficiente para causar lesiones graves. Antes de intentar utilizar una herramienta, asegúrese de familiarizarse con todas las funciones de operación e instrucciones de seguridad.
- No intente modificar este cargador ni crear accesorios que no sean recomendados para utilizar con el mismo. Cualquier alteración o modificación se considera un uso indebido y podría causar una situación peligrosa que provoque lesiones graves.
- No intente recargar baterías que no son recargables con el cargador.

INSTRUCCIONES DE FUNCIONAMIENTO

1. Cómo cargar un paquete de baterías

AVISO: los paquetes de baterías se envían con una carga baja para evitar posibles problemas. Antes de usarlo por primera vez, debe cargar completamente el paquete de baterías.

- a. Asegúrese de que el paquete de baterías sea totalmente compatible con este cargador.
- b. Conecte el cargador a un suministro de electricidad. Los indicadores de carga LED rojo y verde (B) y (C) se iluminarán por aproximadamente un segundo y luego se apagarán.
- c. Conecte el paquete de baterías al cargador alineando las varillas elevadas del paquete de baterías con la ranura en el cargador. Deslice el paquete de baterías sobre el cargador (fig. 1).
- d. El cargador se comunicará con el circuito del paquete de baterías para evaluar su condición. Consulte la sección «Pantalla del cargador».
- e. La luz LED verde (B) destellará de forma continua durante el proceso de carga normal.
- f. Cuando termine de cargar, se encenderá de forma continua la luz LED verde (B) del indicador en el cargador y se apagarán las luces LED indicadoras de alimentación del paquete de baterías. Las bombillas LED del indicador de alimentación del paquete de baterías se iluminarán al pulsar el botón del indicador de alimentación cuando el pack de baterías esté desconectado del cargador.



INSTRUCCIONES DE FUNCIONAMIENTO

AVISO:

- Cuando el paquete de baterías esté completamente cargado, desconéctelo del cargador.
- Es posible que el cargador se caliente con varios ciclos continuos de carga. Esto es parte del funcionamiento normal del cargador.



ADVERTENCIA

- No cargue las baterías en un ambiente cerrado.

Baterías de iones de litio

No es necesario descargar el paquete de baterías de iones de litio antes de volver a cargarlo. Retire el paquete de baterías de la herramienta y cárguelo nuevamente según sea necesario.

Carga de un paquete de baterías caliente

Si se inserta una batería que excede la temperatura normal, el indicador LED rojo de carga (C) se encenderá y el indicador LED verde (B) se apagará. Cuando el paquete de baterías baje a una temperatura adecuada, el cargador iniciará automáticamente la carga.

Carga de un paquete de baterías frío

Si se inserta una batería por debajo de la temperatura normal, el indicador LED rojo de carga (C) se encenderá y el indicador LED verde (B) se apagará. Cuando el paquete de baterías se eleve hasta una temperatura adecuada, el cargador puede iniciar automáticamente la carga.

INSTRUCCIONES DE FUNCIONAMIENTO

2. Exhibidor del cargador

INDICADOR	LUZ LED VERDE (B)	LUZ LED ROJA (C)	EXPLICACIÓN
	Intermitente	Apagada	El paquete de baterías se está cargando normalmente.
	Encendido	Apagada	El paquete de baterías está completamente cargado.
	Apagada	Papadeando o apagada	Error del paquete de baterías o del cargador. Consulte el capítulo "Solución de problemas".
	Apagada	Encendido	El paquete de baterías está fuera del rango de temperatura recomendado (demasiado frío o demasiado caliente).

Solución de problemas

Cuando el cargador detecta un problema, el indicador de carga LED rojo (C) parpadeará y la luz verde se apagará.

- Cuando el indicador LED rojo de carga (C) parpadee, retire la batería y vuelva a insertarla en el cargador. Si el indicador LED rojo (C) aún parpadea, pruebe con una batería diferente.

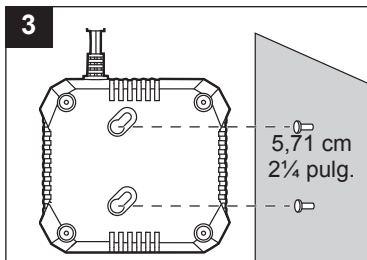
INSTRUCCIONES DE FUNCIONAMIENTO

- b. Si el paquete de baterías de reemplazo puede cargarse, significa que el paquete de baterías anterior está roto y necesita ser reparado o reemplazado.
- c. Si la luz roja sigue parpadeando después de probar con otro paquete de baterías, desenchufe el cable de alimentación del cargador, espere a que se apague el indicador LED rojo (C) y vuelva a enchufar el cargador a la toma de corriente.
- d. Si el indicador LED (C) sigue parpadeando después de volver a conectar el cargador, significa que el cargador puede estar roto y debe ser reparado o reemplazado.


3. Orificios para instalación en pared

El cargador cuenta con orificios para colgar que facilitan el almacenamiento.


Instale los tornillos en la pared a una distancia de 5,71 cm (2 1/4 pulg.) verticalmente. Use tornillos lo suficientemente fuertes para que sostengan el peso combinado del cargador y el paquete de baterías.



CUIDADO Y MANTENIMIENTO

 Todos los mantenimientos deben ser realizados solo por una organización de servicio autorizada.

Limpieza

 Antes de limpiar o realizar cualquier mantenimiento, desconecte el cargador de batería de la fuente de alimentación. Para un uso seguro y adecuado, siempre mantenga limpios el cargador y sus ranuras de ventilación.

Siempre use solo un paño suave y seco para limpiar el cargador; nunca use detergente ni alcohol.

3 AÑOS DE GARANTÍA SIN PROBLEMAS

El cargador está garantizado contra defectos de fabricación en materiales y mano de obra por 3 años desde la fecha de compra para el comprador original. Esta garantía no cubre daños por uso indebido, desgaste normal, mantenimiento inadecuado, negligencia, reparación o alteración no autorizadas, ni piezas o accesorios desechables cuya inutilidad es esperable después de un período de uso razonable.

Si considera que el producto cumple con los términos de garantía mencionados arriba, devuélvalo al lugar donde lo compró con un comprobante de compra válido y el producto defectuoso se reparará o reemplazará sin cargo. Esta garantía le otorga derechos legales específicos, pero también podría tener otros derechos que varían según el estado.

Lowe's Home Centers LLC.
 Mooresville, NC 28117
 Impreso en China

