



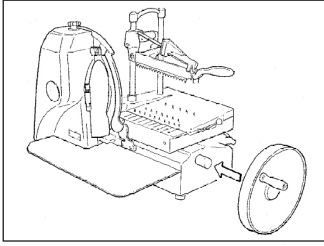
VOLANO SERIES

---

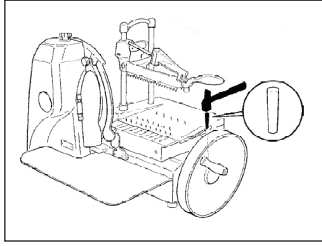
**VOLANO 12 RED**

<b>EN</b>	USER MANUAL	<b>LT</b>	NAUDOTOJO VADOVAS
<b>IT</b>	MANUALE D'USO	<b>NL</b>	HANDLEIDING
<b>DE</b>	GEBRAUCHSANLEITUNG	<b>NO</b>	BRUKSANVISNING
<b>FR</b>	MANUEL D'INSTRUCTIONS	<b>PT</b>	MANUAL DE INSTRUÇÕES
<b>CS</b>	NÁVOD K POUŽITÍ	<b>RO</b>	MANUAL DE INSTRUCTIUNI
<b>DA</b>	BETJENINGSVEJLEDNING	<b>SK</b>	NÁVOD NA POUŽITIE
<b>ES</b>	MANUAL DEL USUARIO	<b>SV</b>	BRUKSANVISNING

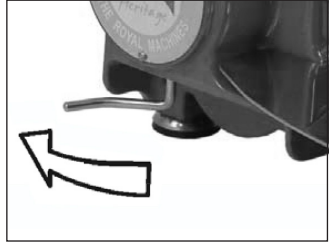
(Fig. 3-A)



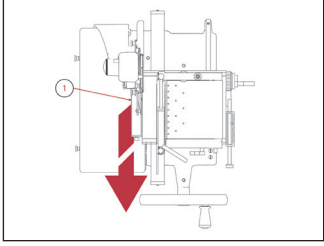
(Fig. 3-B)



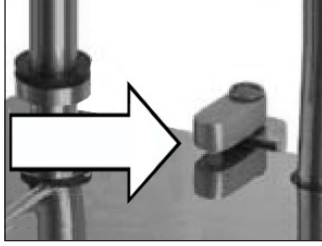
(Fig. 4)



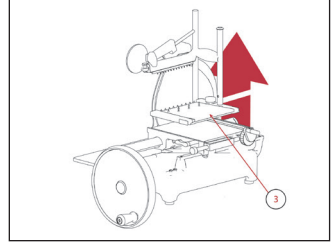
(Fig. 5-A)



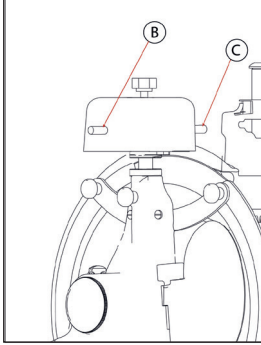
(Fig. 5-B)



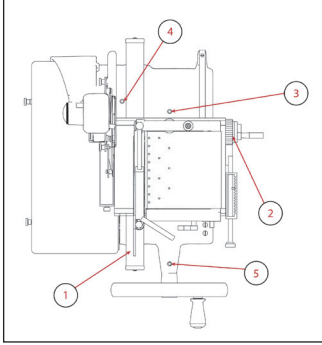
(Fig. 5-C)



(Fig. 6)

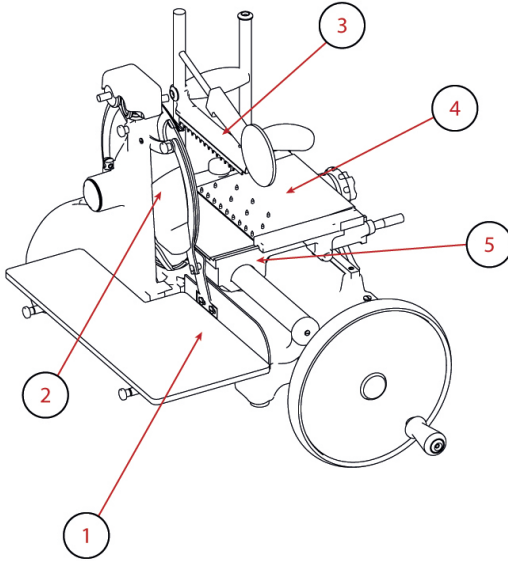


(Fig. 7)



## USER MANUAL: FLYWHEEL SLICER

MODELS:  
VOLANO 12 RED



## MAIN COMPONENTS

1. Receiving plate
2. Slice deflector
3. Top clamp
4. Meat table
5. Carriage
6. Flywheel operating handle
7. Flywheel
8. Casing
9. Blade protection
10. Vertical sliding top clamp
11. Feed plate fast forward lever
12. Feed plate forward handle
13. Slice thickness regulating knob
14. Blade cover
15. Foot
16. Blade
17. Sharpener

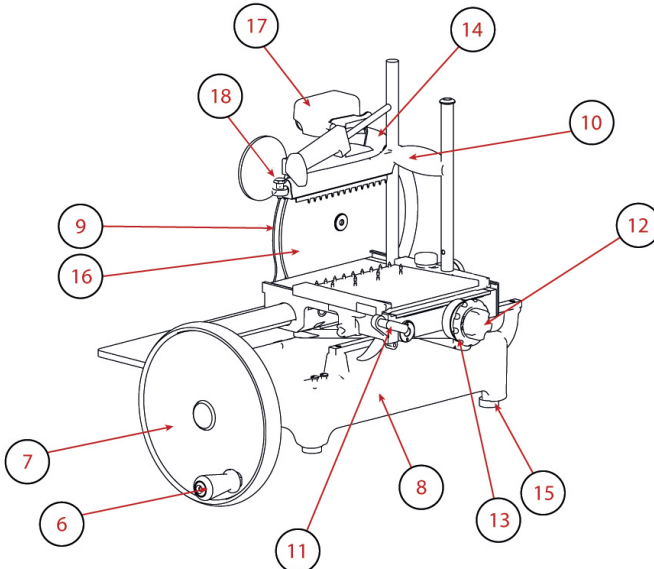


Fig. 1

## DESCRIPTION

---

Manual, flywheel slicer machine, equipped with a circular blade, suitable for cutting only the food products of the types and within the dimensional limits indicated in this manual. The main parts of the machine are shown in the general component diagram reported in picture 1.

## SAFETY

---

The machines described in this manual comply with the latest European hygiene and safety standards.

Pay attention to the following basic safety precautions:

- read all the instructions before using the machine;
- this product is not intended to be used by children;
- operate the machine only if properly trained and in perfect psycho-physical conditions;
- do not use the machine in any way other than what indicated in this manual;
- use the machines only in full structural, mechanical and system efficiency;
- install the machine in conformity to the instructions indicated in the "Installation" section;
- install the machine in a location out of the reach of personnel unauthorized to operate it and especially out of the reach of minors;
- stay highly concentrated when using the machine and avoid any distraction during use;
- do not allow the machine to be used by others who have not read and fully understood the content of this manual;
- do not wear baggy clothing or clothing with open sleeves;

- do not allow anyone else, other than the operator, to approach during product cutting operations;
- do not remove, cover or modify the tags located on the machine body and, in case of damage of these, replace them promptly;
- do not remove, modify or bypass any mechanical protective devices;
- slice only the permitted products, do not attempt cuts on prohibited type products;
- always keep clean and dry the sliced product resting surface, the work area all around the machine and the operator floor area;
- do not use the machine as a resting surface and do not place any objects on it other than food used for cutting operations;
- do not use the slicer when, due to normal wear, the distance between the edge of the blade and the blade guard ring exceeds 6 mm. In this case, contact the manufacturer or one of the Authorized Service Centers to change the blade.
- Immediately stop the machine in the event of a defect, abnormal operation, suspicion of breakdown, incorrect movement, unusual noises;
- use protective gloves for cleaning and maintenance operations;
- place and remove the goods to be sliced on the sliding plate only with the carriage completely pulled back and put the blade protection in safety position;
- for movement of the meat table during cutting operations use only the flywheel;
- never put your hands on the food product while slicing. Al-

ways keep your hands far from the blade;

- use of cutting accessories which were not provided by the manufacturer with the machine is prohibited.

The manufacturer declines any responsibility coming from inappropriate use, modifications and/or repairs carried out by the user or unauthorized personnel, use of replacement parts, which are not original or not specific for the machine model.

Operating conditions:


- Temperature from -5°C to +40°C
- Max. humidity 95%

**DO NOT SLICE:**

- frozen food products;
- food products with bones;
- vegetables in general
- any other product not intended for food use.

### Residual risks

The safety ring around the blade protects the operator from incidental contact with the blade although, in order to allow the sharpening operations, the protection in the sharpening area may not entirely eliminate the risk of cutting.

 **WARNING:** during the blade cleaning and sharpening operations, pay extra attention to keep your hands as far as possible from the unprotected area. Use of protective gloves is recommended.

### INSTALLATION OF THE MACHINE

---


If you do not use the stand (op-

tional), install the machine on a flat, smooth and dry surface suitable for supporting the weight of the machine itself plus the goods to be sliced. The recommended height of the worktop is approximately 80 cm. Lift the machine carefully and insert all the feet in the specific lodgings in the base. For some models, the front support feet can be unscrewed and placed in the desired position depending on the depth of the worktop.

To prevent damage, some models are packaged separately from the disassembled flywheel during transport. If the received machine flywheel is not assembled, follow these instructions:

- insert the flywheel on the shaft, checking correct correspondence with the flywheel-shaft sleeve holes (Fig. 3-A);

- insert the taper pin in the sleeve with the tapered end (smaller diameter) turned toward the sleeve itself (Fig. 3-B);

 **CAUTION!** If the pin is correctly positioned, it will insert almost entirely without being forced.

- hammer down the pin to insert it fully.

## OPERATION

---

- Make sure that the blade is properly protected from the blade protection: use the blade protection locking lever, if present (Fig.4). Check that the thickness adjustment knob is in the safety position (position "0") (13);

- if the handle is folded toward the flywheel, lift it to the working position, perpendicular to the flywheel;

- using the flywheel handle, rotate the flywheel (7) to bring the carriage (5) fully forward (toward the operator);

- pull back (away from the blade) the meat table (4) using the meat table advance mechanism (12);


- set the product to be sliced on the meat table;

- grip the handle to vertically slide the product holder and press it on the product;


- grip the handle of the product holder arm and push it with force on the product to lock it;

- arrange the desired slice thickness, rotating the knob at the same time and selecting a thickness;

- move the meat table with product forward (toward the blade), using the meat table rapid advance device (11) or meat table advanced mechanism (12);

 **CAUTION!** Leave a space of 0.5 - 1 cm between the blade and the product.

- uncover the blade guard, depending on the mode: a) pull the locking lever, if present, toward the operator, having it rotate in the anticlockwise direction; b) loosen the locking knob on the blade guard, pull toward the operator, re-tighten the knob to lock the blade guard in its stand-by position (blade uncovered);

 **CAUTION Sharp blade, cutting hazard!** When the blade is not covered by the guard, be extremely careful to keep your hands as far away from the unprotected area as possible.

- activate the flywheel by having it rotate it in the clockwise direction.


 **WARNING: risk of damages!** Never turn the fly-

wheel anti-clockwise, reverse flywheel rotation may seriously damage the machine.

- during the return movement of the carriage (towards the operator) the meat table will automatically move towards the blade;

- when the meat table gets to limit advancing towards the blade, stop slicing and lift up the top clamp. Use the meat table rapid advance device or the meat table advance mechanism to pull the meat table away from the blade. Reposition the product, relock it with the top clamp and restart slicing;

- unload the product following the operations in the reverse order.

 **CAUTION Cutting hazard!** After the cutting operation has been completed, turn the lever in the opposite direction: the protective ring will overlap the blade, eliminating the hazard.

## CLEANING

---

Clean the machine at the end of their use and always before using, after a long period of inactivity. Use cut and tear resistant gloves and perform all operations with great care.

Products for cleaning: use only water and biodegradable mild detergent, using a soft, spongy cloth and a semi-rigid nylon brush for the sharp areas of the plate and the product holder. Do not clean the machine with jets of water or steam or similar methods.

## DISMANTLING

- Check that the guard is covering the blade properly (9).

- Unscrew the slice deflector locking screw by hand and remove it.
- Remove the pan.
- Remove the meat table, rotating the locking lever in the anti-clockwise direction, lift the table only and remove it.
- Remove the collection tray. If the tray is locked by two side pins, loosen them before removing the tray.

**⚠ WARNING!** For some models, push the meat table forward before lifting it with its top clamp arm.

## CLEANING

- The blade: press a damp cloth on the surface of the blade and move it slowly from the center toward the outside on the blade cover side and the opposite side. In the same way, dry it using a dry cloth;

**⚠ WARNING!** Never activate the flywheel while cleaning the blade.

- the safety ring: use a soft brush to clean the area between the blade and the safety ring;

**⚠ WARNING! Sharp blade, cutting hazard!** When the blade is not covered by the guard, be extremely careful to keep your hands as far away from the unprotected area as possible.

- the machine body: use a damp cloth or a sponge. Dry carefully.

## REASSEMBLING

- Check that the blade protection duly covers the blade (9);
- put the waste tray in its specific position;
- close the slice deflector;
- using the flywheel handle, rotate the flywheel (7) to bring

- the sliding meat table (4) fully forward (towards the operator);
- with a vertical movement from top to bottom, place the meat table in its position.

**⚠ WARNING: risk of injury from sharp blade!** For some models, after placing the meat table, push it forward in order to secure it completely in the carriage. If present, close the lever or tighten the knob on the meat table.

## MAINTENANCE

### Blade Sharpening

Frequency and duration of sharpening depend on the use of the equipment.

**⚠ WARNING: risk of injury from sharp blade!**

When the blade is not covered with the blade protection, pay extra attention to keep your hands as far as possible from the unprotected area.

For sharpening, follow the instruction according to the model:

### VOLANO 12 RED (Fig. 6)

- Clean the blade, freeing it of residual grease.
- Check that the guard is covering the blade properly
- Move the meat table away from the blade.
- Lift the sharpener and rotate it 180°.
- Carefully lower the sharpener. The blade will be automatically centred between the two grinding wheels.
- Press the button (B) for approximately 10-15 seconds and simultaneously rotate the flywheel. Release the button (B), press the button (C) for 2-3

seconds and release it.

- Stop flywheel rotation.
- Reposition the sharpener in its original position and tighten the knob only after the blade has stopped moving.

**⚠ WARNING: risk of damages!** Do not excessively force (more than 2-3 seconds) the deburring operation to prevent damaging of the blade.

Lubrication (Fig. 7)

- Put some drops of oil over the bar (1) and in the junction of the slice thickness-regulating knob (2);
  - put some drops of oil in the holes (3 and 4);
  - put some drops of oil on the flywheel in its junction to the tree (5);
  - briefly activate the flywheel.
- For lubrication only use acid free oil (we recommend Vaseline oil). Do not use vegetable oil.

## SERVICE

No user-serviceable parts are inside. Refer servicing to qualified personnel. All the repair and replacement operations (like blade replacement, repair of structural parts, repair and/or re-placement of sub-base-plate components, or similar) shall be executed exclusively by personnel authorized by the manufacturer.

In the event service is needed, you may return your food slicer to the manufacturer or to one of the Authorized Service Centers. For information about service, centers please contact us at: [service@berkelinternational.com](mailto:service@berkelinternational.com).

**!** **WARNING: risk of injury from sharp blade!**  
The blade replacement is mandatory if distance between the edge of the blade and the internal edge of the guard exceeds 6 mm.

tion.  
The Identification tag on the base-plate indicates manufacturer, machine, technical information.

## WARRANTY AND RESPONSIBILITY

---

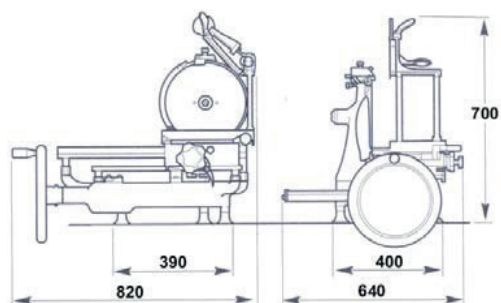
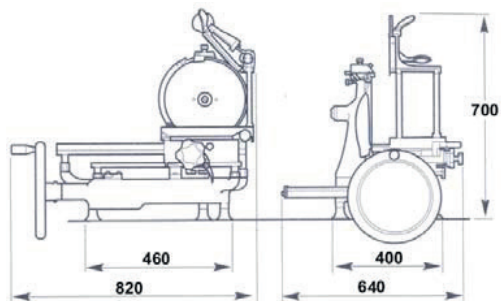
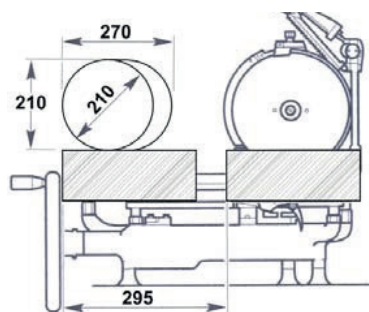
The manufacturer supplies machines with a limited warranty of 24 months from the purchasing date. The warranty is extended only to defects that arise under intended use conditions and proper use. The warranty does not cover defects resulting from faults caused by transport, purchaser's incompetence or negligence, improper installation, unauthorised interventions, natural wear and tear greater than 10% of the nominal value. Moreover, the warranty does not cover components intrinsically subject to wear, such as blades and grinders, except in the event of evident manufacturing defects.

The manufacturer declines any direct and indirect responsibility coming from:

- failure to observe the instructions in this manual;
- use which does not conform to prevailing specific regulations in the country of installation;
- unauthorized modifications and/or repairs carried out on the machine;
- use of non-original accessories and replacement parts;
- exceptional events.

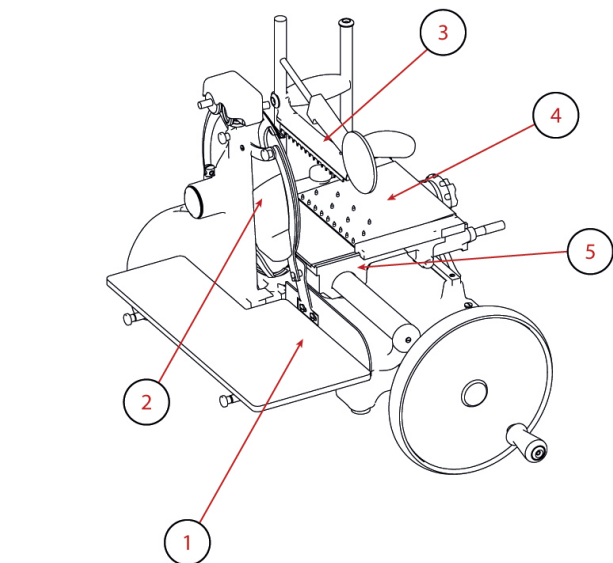
Transfer of ownership of the machine automatically defaults the manufacturer's liability for the machine in ques-

VOLANO 12 RED



SPECIFICATIONS		
Circular cutting capacity	210 mm	
Rectangular cutting capacity	270x210 mm	
Max slice thickness	1,5 mm	
Blade diameter	300 mm	
Weight	44 Kg	

MODELLI:  
VOLANO 12 RED



## COMPONENTI PRINCIPALI

1. Piatto raccogliore
2. Parafetta
3. Pressamerce
4. Piatto portamerce scorrevole
5. Carrello
6. Maniglia di manovra volano
7. Volano
8. Basamento
9. Paralama
10. Maniglia scorrimento verticale pressamerce
11. Leva ritorno rapido sovrappiatto
12. Volantino avanzamento sovrappiatto
13. Regolazione spessore fetta
14. Coprilama
15. Piedino di appoggio
16. Lama
17. Affilatoio
18. Maniglia bloccaggio pressamerce

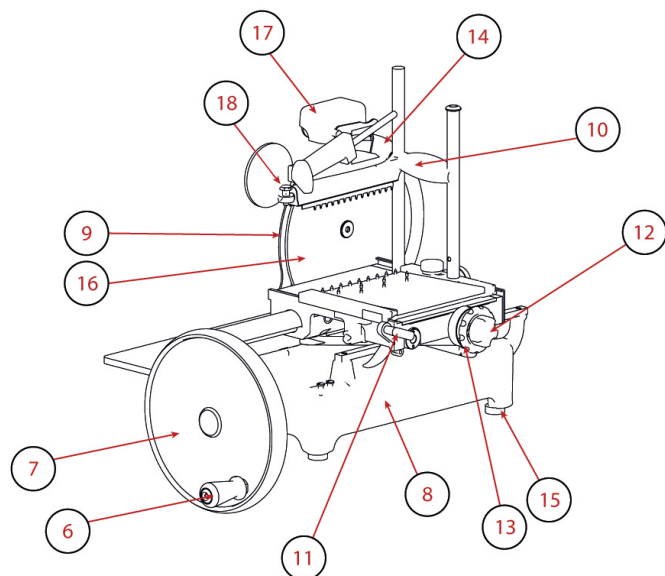


Fig. 1

## DESCRIZIONE

---

Macchine affettatrici a volano con lama circolare, progettate per affettare esclusivamente prodotti alimentari del tipo e nei limiti dimensionali indicati nel presente manuale. Le parti principali che compongono la macchina sono illustrate alla figura 1.

## SICUREZZA

---

Le macchine descritte in questo manuale rispettano gli standard Europei di igiene e sicurezza imposti dalle ultime normative.

Per la vostra sicurezza, fate attenzione alle seguenti istruzioni:

- leggere attentamente tutte le istruzioni prima di usare la macchina;

- il prodotto non è indicato per l'utilizzo da parte dei bambini;

- utilizzare la macchina solo se propriamente istruiti e in perfetto stato psico-fisico;

- non usare la macchina in alcun modo differente da come indicato nel presente manuale;

- installare la macchina in conformità alle istruzioni riportate al paragrafo 'installazione';

- installare la macchina in luogo al di fuori della portata di personale estraneo alle operazioni relative all'impiego della stessa e soprattutto di minori;

- utilizzare la macchina con grande concentrazione ed evitare di distrarsi;

- non permettere l'utilizzo della macchina ad alcuno che non abbia letto e compreso pienamente il presente manuale;

- non indossare indumenti svolazzanti o con maniche aperte;

- non permettere ad alcuno di avvicinarsi durante l'operazione di taglio del prodotto;

- non rimuovere, coprire o modificare le targhette collocate sul corpo della macchina e, in caso di danneggiamento delle stesse, sostituirle prontamente;

- non rimuovere le protezioni e non modificare o escludere le protezioni meccaniche;

- affettare unicamente i prodotti di tipo consentito, non tentare alcuna prova di taglio con prodotti di tipo proibito;

- mantenere la zona di appoggio del prodotto affettato, la zona tutt'intorno alla macchina ed il piano pavimento operatore sempre puliti ed asciutti;

- non utilizzare la macchina come superficie di appoggio e non appoggiarvi alcuno oggetto estraneo alle normali operazioni di taglio;

- non usare l'affettatrice quando, a seguito di normale usura, la distanza tra il filo della lama e l'anello para lama ha superato i 6 mm, in tal caso contattare il produttore o uno dei Centri Servizio Autorizzati per cambiare la lama;

- arrestare immediatamente la macchina e richiedere l'intervento di personale di assistenza autorizzato in caso di funzionamento anomalo, sospetto di rotture, movimenti non corretti, rumori insoliti, ecc.;

- utilizzare sempre guanti del tipo resistente al taglio ed alla lacerazione per le operazioni di pulizia e di manutenzione;

- porre e rimuovere la merce da affettare sul sovrappiatto scorrevole solo con il piatto completamente reintrodotto (lontano dalla lama) ed il carrello totalmente verso l'operatore;

- far scorrere il piatto durante le operazioni di taglio solo ed esclusivamente mediante l'utilizzo del volano;

- non toccare mai con le mani il

prodotto durante l'operazione di taglio. Mantenere sempre le mani lontane dalla lama;

- non è ammesso l'uso di accessori per il taglio che non siano stati forniti dal costruttore della macchina.

Il costruttore declina ogni responsabilità derivante da un uso inappropriato, modifiche e/o riparazioni effettuate dall'utente o da personale non autorizzato, utilizzo di parti di ricambio non originali o non specifiche per il modello di macchina.

Condizioni ambientali d'uso:

- Temperatura da -5° C a +40° C  
- Umidità max 95%

**NON AFFETTARE:**

- prodotti alimentari congelati;

- prodotti alimentari surgelati;

- prodotti alimentari con ossa (carne e pesce);

- ogni altro prodotto non destinato all'uso alimentare.

**Rischi residui**

L'anello di protezione intorno alla lama protegge l'operatore dal contatto accidentale con la lama tuttavia, al fine di consentire le operazioni di affilatura, la protezione non elimina completamente il rischio di taglio.



**ATTENZIONE! Durante le operazioni di pulizia e affilatura della lama, fare estrema attenzione a mantenere le mani il più lontano possibile dall'area non protetta. Si raccomanda di utilizzare guanti di protezione.**


**INSTALLAZIONE**

---

Se non si utilizza la colonna di supporto (opzionale) installare la macchina su di un piano ben

livellato, asciutto ed adatto a sostenere il peso della macchina stessa più la merce da affettare. L'altezza consigliata del piano di lavoro è di circa 80 cm. Verificare che non ci siano impedimenti al movimento del volano, alla corsa del carrello ed al caricamento della merce da affettare. Sollevare la macchina con attenzione ed inserire i piedini in gomma nelle relative sedi del basamento. Per alcuni modelli, i piedini di appoggio anteriori possono essere svitati e collocati nella posizione desiderata in funzione della profondità del piano di lavoro. Per evitare danneggiamenti, durante il trasporto alcuni modelli sono imballati con il volano a parte, non montato. Se il volano della macchina ricevuta non è montato, seguire le istruzioni:

- inserire il volano sull'albero verificando la corretta corrispondenza delle forature manicotto volano-albero (Fig. 3-A);
- inserire nel manicotto la spina conica con l'estremità rastremata (diametro minore) rivolta verso il manicotto stesso (Fig. 3-B);

 **ATTENZIONE** Se la spina è posizionata correttamente, si inserirà quasi completamente senza forzature.

- battere la spina per inserirla completamente.

## USO DELL'AFFETTATRICE

- Verificare che la lama sia ben protetta dal paralama: utilizzando la leva di bloccaggio protezione lama, se presente (Fig. 4), controllando che la manopola di regolazione spessore sia in posizione di sicurezza (posizione "0") (13);
- se la manopola è ripiegata

verso il volano, sollevarla in posizione di lavoro, perpendicolare rispetto al volano;

- azionando il volano (7) in senso orario portare il carrello (5) totalmente in avanti (verso l'operatore);


- arretrare completamente (lontano dalla lama) il piatto porta merce (4) usando il sistema di avanzamento rapido (11) oppure sul sistema di avanzamento del piatto (12);

- porre il prodotto da affettare sul piatto porta merce;

- far scorrere il pressamerce verso il basso per bloccare il prodotto, a seconda dei modelli: a) impugnare entrambe le maniglie del pressamerce (10 e 18) e spingerle contemporaneamente verso il basso fino a bloccare il prodotto; b) impugnare la leva di scorrimento del pressamerce (10), abbassarla fino a fine scorrimento, impugnare la maniglia di bloccaggio (18) e spingerla sul prodotto fino a bloccarlo;

- predisporre lo spessore fetta desiderato ruotando la manopola allo stesso tempo e selezionare lo spessore;

- avvicinare il piatto portamerce (verso la lama) intervenendo sul sistema di avanzamento rapido del piatto (11) o sul sistema di avanzamento (12);

 **ATTENZIONE** Lasciare uno spazio da 0,5 a 1 cm tra la lama e il prodotto.

- scoprire la lama dalla sua protezione, a seconda del modello:

- a) tirare verso l'operatore leva di bloccaggio, se presente, facendola ruotare in senso antiorario; b) allentare il pomello di bloccaggio del paralama, tirare verso l'operatore, riavvitare il pomello per bloccare il paralama nella sua postazione di riposo (lama scoperta);

 **ATTENZIONE Lama affilata, pericolo di taglio!**

Quando la lama non è coperta dalla protezione, prestare estrema attenzione nel mantenere le mani il più possibile lontano dall'area non protetta.

- azionare il volano facendolo ruotare in senso orario;

 **ATTENZIONE rischio di danneggiamento!**

Non ruotare il volano del carrello in senso contrario, la rotazione inversa del volano può seriamente danneggiare la macchina.

- durante la corsa di ritorno del carrello (verso l'operatore) viene azionato il dispositivo meccanico che fa avanzare, in senso trasversale, il sovrappiatto verso la lama;

- quando il piatto portamerce raggiunge il limite di avanzamento verso la lama, fermarsi e sollevare il pressamerce. Utilizzando il sistema di avanzamento del piatto o quello di avanzamento rapido, allontanare il piatto dalla lama. Riposizionare il prodotto, bloccarlo nuovamente con il pressamerce e ricominciare ad affettare;
- scaricare il prodotto eseguendo le operazioni in senso inverso.

 **ATTENZIONE Pericolo di taglio!**

Terminata l'operazione di taglio, ruotare la leva in senso opposto: l'anello di protezione si sovrappone alla lama eliminando la condizione di pericolo.

## PULIZIA

Le macchine devono essere accuratamente pulite al termine del loro utilizzo. Dopo un periodo di inattività devono essere pulite anche prima dell'utilizzo. Utilizzare guanti di protezione resistenti al taglio

ed alla lacerazione ed eseguire tutte le operazioni con grande attenzione.


Prodotti per la pulizia: usare esclusivamente acqua con un panno morbido, spugnoso ed eventualmente uno spazzolino di nylon semi rigido per le zone del piatto e del pressamerce. Non pulire la macchina con getti d'acqua o vapore o con metodi simili.

### SMONTAGGIO

- Assicurarsi che la protezione copra debitamente la lama (9)  
- Svitare a mano la vite di bloccaggio del parafetta e rimuoverlo.


- Rimuovere la vaschetta

- Rimuovere il piatto portamerce, ruotando la leva di bloccaggio senso antiorario, sollevare il solo piatto e rimuoverlo.  
- Sfilare il piatto raccogliitore. Se il piatto è bloccato da due perni laterali, allentarli prima di sfilare il piatto.

 **ATTENZIONE!** Per alcuni modelli, spingere il piatto portamerce in avanti prima di sollevarlo insieme al porta merce.

### PULIZIA

- Lama: premere un panno umido sulla superficie della lama e spostarlo lentamente dal centro verso l'esterno, come in figura, e sul lato opposto. Asciugare, nello stesso modo, utilizzando un panno asciutto;

 **ATTENZIONE!** Non attivare l'affettatrice mentre si pulisce la lama.

- anello di sicurezza: usare uno spazzolino di nylon semirigido per pulire l'area compresa tra la lama e l'anello di protezione;

 **ATTENZIONE Lama affilata, pericolo di taglio!**

Quando la lama non è coperta dalla protezione, prestare estrema attenzione nel mantenere le mani il più possibile lontano dall'area non protetta.

- corpo macchina: pulire il corpo macchina con un panno umido o una spugna risciacquando acqua. Asciugare con cura.


### RIASSEMBLAGGIO

- Controllare che la protezione copra debitamente la lama (9);  
- rimettere la vaschetta nella sua posizione;

- chiudere il parafetta;

- utilizzando la manopola del volano, ruotare il volano (7) per portare completamente in avanti (verso l'operatore) il piatto portamerce scorrevole (4);

- con un movimento verticale dall'alto verso il basso, rimettere il piatto portamerce nella sua posizione iniziale.

 **ATTENZIONE:** per alcuni modelli, dopo aver posizionato il piatto porta merce, spingerlo per fissarlo al supporto piatto. Se presente, chiudere la leva o stringere la manopola sul piatto portamerce.

### MANUTENZIONE

#### Affilatura lama

La frequenza e la durata dell'affilatura dipende dall'uso che viene effettuato.

 **ATTENZIONE Lama affilata, pericolo di taglio!**

Quando la lama non è coperta dalla protezione, prestare estrema attenzione nel mantenere le mani il più possibile lontano dall'area non protetta. Si raccomanda di utilizzare guanti di protezione.

Per l'affilatura della lama, seguire le istruzioni a seconda del modello indicato:

#### VOLANO 12 RED (Fig. 6)

- Eseguire la pulizia della lama liberandola dai residui di grasso  
- Verificare che la protezione copra debitamente la lama

- Allontanare il piatto portamerce dalla lama


- Sollevare l'affilatoio e ruotarlo di 180°

- Abbassare l'affilatoio con cura, la lama si centererà automaticamente tra le due mole

- Premere il pulsante (B) per circa 10-15 secondi e contemporaneamente ruotare il volano. Lasciare il pulsante (B), premere il pulsante (C) per 2-3 secondi e lasciarlo.

- Interrompere la rotazione del volano

- Solo quando la lama è ferma, riposizionare l'affilatoio nella sua posizione originale e avvitare il pomello.

 **ATTENZIONE: rischio di danneggiamento!** Non prolungare eccessivamente (non più di 2-3 secondi) l'operazione di sbavatura per evitare di danneggiare la lama.

#### Lubrificazione (Fig. 7)

- Versare alcune gocce di olio sulla barra (1) e nella giunzione della manopola regolazione spessore fetta (2);

- versare alcune gocce di olio nei buchi (3 e 4);

- versare alcune gocce di olio nella giunzione tra volano e corpo dell'affettatrice (5);

- azionare brevemente il volano. Per la lubrificazione usare solo oli senza acidi (si consiglia olio di vaselina). Non usare oli vegetali.

### ASSISTENZA


Non sono forniti pezzi di ricambio all'interno dell'imballo.

Tutte le attività di riparazione e sostituzione (quali sostituzione o riparazione di lama, cinghia, componenti elettrici, parti strutturali, etc.) devono essere svolte esclusivamente da personale autorizzato dal produttore stesso.

Nel caso fosse necessaria una riparazione, si raccomanda di ritornare la macchina al produttore o ad un Centro Servizi Autorizzato.

Per informazioni riguardo i centri servizi, rivolgersi a:

service@berkelinternational.com.

 **ATTENZIONE! E' obbligatorio sostituire la lama quando la distanza tra il filo della lama stessa ed il bordo interno della protezione supera i 6 mm.**

## **GARANZIA E RESPONSABILITA'**

---

Il produttore fornisce macchine con una garanzia di durata 24 mesi, a partire dalla data di acquisto. La garanzia copre solo i difetti riscontrati facendone un uso appropriato e secondo le condizioni d'uso previste dal manuale. La garanzia non copre difetti dovuti a trasporto, incompetenza o negligenza dell'acquirente, installazione o posizionamento improprio, danni da usura, voltaggio superiore al 10% del valore nominale. Inoltre, la garanzia non copre componenti intrinsecamente soggetti a usura, quali la lama e le mole dell'affilatoio, eccetto nel caso di evidente difetto di produzione.

Il produttore declina qualsiasi responsabilità diretta e indiretta derivante da:

- mancata osservanza delle istruzioni presenti nel manuale;

- uso non conforme alla normativa dominante nel paese di installazione;

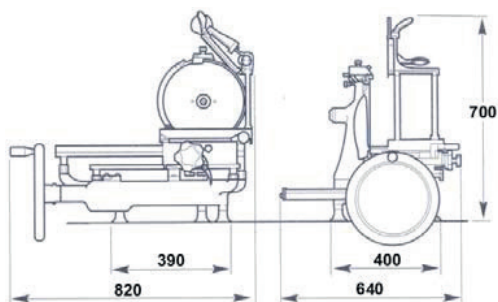
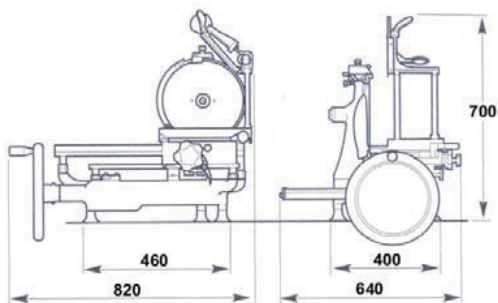
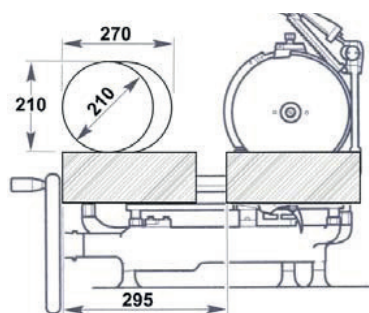
- modifiche e/o riparazioni sulla macchina non autorizzate;

- uso di accessori e parti di ricambio non originali;

- eventi eccezionali.

Il trasferimento di proprietà della macchina, comporta l'immediato sollevamento da ogni responsabilità da parte del produttore. La targhetta di identificazione sulla base della macchina registra il produttore, la macchina, le informazioni tecniche.

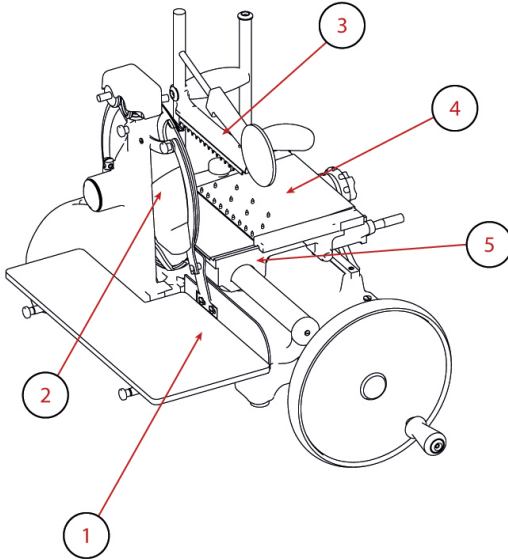
**VOLANO 12 RED**



SPECIFICHE		
Capacità di taglio circolare	210 mm	
Capacità di taglio rettangolare	270x210 mm	
Massimo spessore fetta	1,5 mm	
Diametro lama	300 mm	
Peso	44 Kg	

## GEBRAUCHSANLEITUNG: HANDBETRIEBENE AUFSCHNITTMASCHINE MIT SCHWUNGRAD

MODELLE:  
VOLANO 12 RED



## HAUPTBESTANDTEILE

1. Auffangteller
2. Restehalter
3. Schneidgutpresse
4. Schneidgutplatte
5. Schlitten
6. Schwungradgriff
7. Schwungrad
8. Gehäuse
9. Messerschutz
10. Senkrechtlauf der Schneidgutpresse
11. Hebel für schnelle Bewegung des Obertellers
12. Handrad für Vorwärtsbewegung des Obertellers
13. Reglerknopf für die schnittdicke
14. Messerabdeckung
15. Stützfuß
16. Messer
17. Schleifvorrichtung

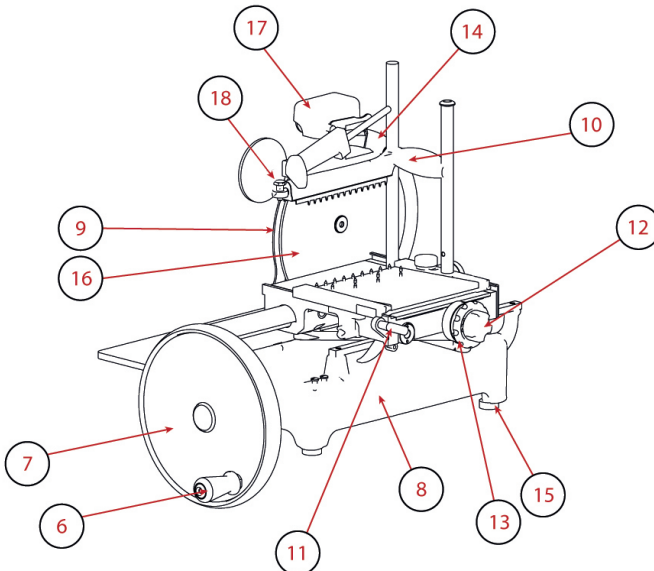


Abb. 1

## BESCHREIBUNG

---

Schwungrad-Aufschnittmaschinen mit kreisrundem Messer, die ausschließlich zum Aufschneiden von Lebensmitteln des Typs und der Größe bestimmt sind, die in der vorliegenden Anleitung genannt werden. Die Hauptbestandteile des Gerätes werden in Abbildung 1 gezeigt.

## SICHERHEIT

---

Die in dieser Anleitung beschriebenen Geräte erfüllen die europäischen Hygiene- und Sicherheitsstandards der aktuellen Bestimmungen.

Zu Ihrer Sicherheit möchten wir Sie bitten, unbedingt die folgenden Anweisungen zu befolgen:

- Bevor Sie das Gerät benutzen, lesen Sie aufmerksam alle Anweisungen;
- Das Produkt ist nicht zum Gebrauch durch Kinder geeignet;
- Verwenden Sie das Gerät nur nach entsprechender Anweisung und wenn Sie sich in einwandfreiem körperlichem und geistigem Zustand befinden;
- Verwenden Sie das Gerät auf keinen Fall anders als in der vorliegenden Anleitung beschrieben;
- Installieren Sie das Gerät in Übereinstimmung mit den Anweisungen im Abschnitt „Installation“;
- Stellen Sie das Gerät an einem Ort auf, zu dem Unbefugte und vor allem Minderjährige keinen Zugang haben;
- Seien Sie beim Verwenden des Gerätes stets hochkonzentriert und lassen Sie sich nicht ablenken;
- Gestatten Sie den Gebra-

uch des Gerätes niemandem, der die vorliegende Anleitung nicht gelesen und/oder verstanden hat;

- Tragen Sie bei der Verwendung keine flatternden Kleidungsstücke oder weiten Ärmel;
- Gestatten Sie während des Schneidvorgangs niemandem, außer dem Bediener, sich dem Gerät zu nähern;
- Die Beschilderung am Gerät darf nicht entfernt, überdeckt oder verändert werden und ist im Falle einer Beschädigung umgehend zu ersetzen;
- Die Schutzvorrichtung darf nicht entfernt und die mechanischen Schutzvorrichtungen dürfen nicht verändert werden;
- Es dürfen ausschließlich die zugelassenen Produkte aufgeschnitten werden. Versuchen Sie niemals, nicht zugelassene Produkte zu schneiden;
- Halten Sie den Ablagebereich für die Aufschnittware, den gesamten Bereich um das Gerät und den Fußboden im Arbeitsbereich immer sauber und trocken;
- Nutzen Sie das Gerät nicht als Fläche zum Abstützen oder zum Ablegen von Gegenständen, die nicht für den Schneidvorgang erforderlich sind;
- Benutzen Sie die Aufschnittmaschine nicht, wenn der Abstand zwischen dem Messer und dem Sicherheitsring des Messers 6 mm infolge der normalen Abnutzung übersteigt. Wenden Sie sich in diesem Fall an den Hersteller oder an eine autorisierte Kundendienststelle, um das Messer auszuwechseln zu lassen;
- Halten Sie das Gerät bei einem Defekt, ungewöhnlicher Funktionsweise, Verdacht

auf einen Bruch, nicht korrekten Bewegungen oder ungewöhnlichen Geräuschen sofort an und fordern Sie den Eingriff von autorisiertem Kundendienstpersonal an;

- Tragen Sie bei den Reinigungs- und Wartungsarbeiten immer schnitt- und rissfeste Schutzhandschuhe;
- Legen Sie die aufzuschneidende Ware nur auf der beweglichen Oberplatte ab bzw. entfernen Sie sie von selbiger, wenn die Platte vollständig zurückgesetzt ist (weit entfernt vom Messer) und der Schlitten sich vollständig in Richtung Bediener befindet;
- Lassen Sie die Platte während des Schneidvorgangs ausschließlich mithilfe des Schwungrades gleiten.
- Berühren Sie das Produkt während des Schneidvorgangs nie mit den Händen. Halten Sie die Hände immer vom Messer fern;
- Es ist nicht zulässig, für das Aufschneiden andere als die vom Hersteller für die Ausstattung der Maschine vorgesehene Zubehörteile zu benutzen. Der Hersteller lehnt jede Verantwortung für Schäden ab, die die Folge von unsachgemäßem Gebrauch, von durch nicht autorisiertes Personal ausgeführten Änderungen und/oder Reparaturen sowie Gebrauch von nicht originalen oder nicht speziell für das Gerätemodell geeigneten Ersatzteilen sind.

Umgebungsbedingungen für den Betrieb:

- Temperatur: zwischen -5°C und +40°C
- Max. Feuchtigkeit 95%

**NICHT AUFSCHNEIDEN:**

- gefrorene Lebensmittel;

- tiefgekühlte Lebensmittel;
- Lebensmittel mit Knochen (Fleisch und Fisch);
- alle anderen nicht zu Ernährungszwecken vorgesehene Produkte.

### Restrisiken

Der Schutzring um das Messer schützt den Bediener vor dem versehentlichen Kontakt mit dem Messer; trotzdem kann dieser Schutz die Schneid Gefahr nicht vollständig beseitigen.

**! ACHTUNG! Halten Sie Ihre Hände beim Reinigen und Schleifen des Messers unbedingt möglichst weit vom nicht geschützten Bereich entfernt. Es wird das Tragen von Schutzhandschuhen empfohlen.**

### INSTALLATION

Wenn keine Standsäule (optional) verwendet wird, stellen Sie das Gerät auf eine gut nivellierte, glatte, trockene und dem Gewicht des Gerätes und des Schneidgutes angemessene Fläche. Stellen Sie sicher, dass die Bewegung von Schwungrad und Schlitten sowie das Aufladen des Schneidguts durch nichts beeinträchtigt werden. Die empfohlene Höhe der Arbeitsfläche beträgt ca. 80 cm. Heben Sie das Gerät vorsichtig an und setzen Sie die GummifüÙe in die zugehörigen Sitze des Sockels ein. Bei einigen Modellen können die vorderen StützfüÙe abmontiert und in der gewünschten Position, je nach Tiefe der Arbeitsfläche, angebracht werden.

Um Transportschäden zu vermeiden, werden einige Modelle mit separatem, nicht montiertem Schwungrad geliefert.

Wenn das Schwungrad bei Lieferung des Gerätes nicht montiert ist, gehen Sie wie folgt vor:

- Das Schwungrad auf die Welle setzen und die korrekte Übereinstimmung der Bohrungen der Muffe für Schwungrad und Welle überprüfen (Abb. 3-A).
- Den Konusstift in die Muffe einsetzen, wobei das spitze Ende (kleinerer Durchmesser) zur Muffe hin zeigen muss (Abb. 3-B).

**! ACHTUNG!** Ist der Stift korrekt positioniert, lässt er sich beinahe mühelos einfügen.

- auf den Stift klopfen, bis er vollständig eingeführt ist.

### BEDIENUNG

- Sicherstellen, dass das Messer durch den Klingenschutz gut geschützt ist:

- Mit dem Klingenschutz-Sperrhebel, falls vorhanden (Abb. 4)
- Kontrollieren Sie, dass sich der Reglerknopf für die Stärke in der sicheren Position (Position "0") (13) befindet;
- Ist der Einstellknopf zum Schwungrad hin gebogen, heben Sie ihn in Betriebsposition, senkrecht zum Schwungrad;
- Betätigen Sie das Schwungrad (7), um den Schlitten (5) bis an den vorderen Anschlag (Bediener) zu bewegen;
- Fahren Sie die Schneidgutplatte (4) mithilfe des Schnellvorschubsystems (12) vollständig zurück (weg vom Messer);
- Legen Sie das aufzuschneidende Produkt auf die Schneidgutplatte;
- Den Griff zum vertikalen Gleiten der Presse greifen und auf das Werkstück drücken;
- Den Griff des Arms der Pres-

se greifen und kräftig auf das Werkstück drücken, um es zu blockieren;

- Die gewünschte Schnittdicke vorbereiten, dazu gleichzeitig den Griff drehen und die Stärke auswählen;
- Nähern Sie die Schneidgutplatte (Richtung Messer) mithilfe des Schnellvorschubsystems der Platte (11) oder des Vorschubsystems (12) an;

**! ACHTUNG!** Zwischen Produkt und Messer 0,5 bis 1 cm Freiraum lassen.

- Das Messer je nach Modell aus seinem Schutz nehmen: a) Den Sperrhebel, falls vorhanden, gegen den Uhrzeigersinn drehen und zum Bediener hin ziehen; b) Den Sperrknopf des Messerschutzes lockern, zum Bediener hin ziehen, den Knauf wieder festdrehen, um den Messerschutz in Ruheposition zu blockieren (freiliegendes Messer);

**! ACHTUNG Scharfes Messer, Schneid Gefahr!**

Wenn das Messer nicht vom Schutz bedeckt ist, achten Sie besonders darauf, Ihre Hände weit vom ungeschützten Bereich entfernt zu halten.

- Betätigen Sie das Schwungrad, indem Sie es im Uhrzeigersinn drehen.

**! ACHTUNG Beschädigungsgefahr!** Drehen Sie


das Schwungrad des Wagens nicht in der entgegengesetzten Richtung; die umgekehrte Rotation des Schwungrads kann ernsthafte Schäden am Gerät verursachen.

- Während der Rückkehr des Schlittens (in Richtung Bediener) wird die mechanische Vorrichtung betätigt, die die Oberplatte quer in Richtung Messer

bewegt;

- Wenn die Schneidgutplatte den Anschlag der Bewegung Richtung Messer erreicht, halten Sie an und heben Sie die Anschlagplatte an. Nutzen Sie das Vorschubsystem oder das Schnellvorschubsystem der Platte, um diese vom Messer wegzubewegen. Legen Sie das Produkt wieder auf, blockieren Sie es erneut mit der Anschlagplatte und beginnen Sie wieder mit dem Aufschneiden;

- Zum Entnehmen des Werkstücks den gesamten Vorgang in umgekehrter Reihenfolge vornehmen.

 **ACHTUNG Schneidgefahr!** Nach dem Schneidvorgang den Hebel in entgegengesetzter Richtung drehen: der Schutzring legt sich über das Messer und räumt somit den Gefahrenzustand aus.

## REINIGUNG

---

Die Maschinen müssen nach dem Gebrauch gründlich gereinigt werden. Nach einem mehr oder weniger langen Stillstand müssen diese auch vor Gebrauch gereinigt werden. Tragen Sie schnitt- und rissfeste Schutzhandschuhe und führen Sie alle Arbeiten mit höchster Vorsicht aus.

Reinigungsprodukte:

Verwenden Sie ausschließlich Wasser und ein weiches Schwammtuch und bei Bedarf eine kleine halbsteife Nylonbürste für die Bereiche von Schneidgut- und Anschlagplatte. Reinigen Sie das Gerät nicht mit Strahlwasser, Dampf oder ähnlichen Methoden.

## AUSEINANDERBAUEN

- Vergewissern Sie sich, dass


der Schutz das Messer (9) gut bedeckt.

- Die Verriegelungsschraube des Schneidschutzes von hand abschrauben und abnehmen.

- Entfernen Sie die Schale.


- Drehen Sie den Sperrhebel gegen den Uhrzeigersinn, heben Sie nur die Schneidgutplatte an und nehmen Sie sie ab.

- Die Auffangplatte herausziehen. Wird die Platte von zwei seitlichen Stiften verriegelt, müssen diese gelockert werden, bevor Sie die Platte herausziehen.


 **ACHTUNG!** Bei einigen Modellen müssen Sie die Schneidgutplatte nach vorne schieben, bevor Sie sie gemeinsam mit der Anschlagplatte anheben können.

## REINIGUNG

- Messer: Drücken Sie einen feuchten Lappen auf die Oberfläche des Messers und bewegen Sie ihn dann langsam von der Mitte nach außen, wie in der Abbildung gezeigt; gehen Sie sowohl auf der Seite der Messerhaube als auch auf der gegenüberliegende Seite vor. Trocknen Sie das Messer auf dieselbe Weise mit einem trockenen Tuch ab;

 **WARNUNG!** Schalten Sie die Aufschnittmaschine niemals ein, während Sie das Messer reinigen.

- Sicherheitsring: Verwenden Sie zum Reinigen des Bereichs zwischen dem Messer und dem Sicherheitsring eine kleine halbsteife Nylonbürste;

 **ACHTUNG Scharfes Messer, Schneidgefahr!** Wenn das Messer nicht vom Schutz bedeckt ist, achten Sie besonders darauf, Ihre Hände weit vom ungeschützten Be-

reich entfernt zu halten.

- Gerätekorpus: Reinigen Sie den Gerätekorpus mit einem feuchten Lappen oder Schwamm und spülen Sie ihn dann mit warmem Wasser ab. Sorgfältig abtrocknen.

## ZUSAMMENBAUEN


- Vergewissern Sie sich, dass der Schutz das Messer (9) gut bedeckt;

- Setzen Sie die Wanne wieder ein;

- Schließen Sie den Resthalter;

- Drehen Sie das Schwungrad (7) mithilfe seines Knopfes, um die bewegliche Schneidgutplatte (4) ganz nach vorn (in Richtung Bediener) zu bewegen;

- Bringen Sie die Schneidgutplatte mit einer senkrechten Bewegung von oben nach unten wieder in ihre Anfangsposition.


 **ACHTUNG:** Bei einigen Modellen müssen Sie die Schneidgutplatte nach ihrer Positionierung in den Schlittentisch drücken, bis sie einrastet. Wenn vorhanden, schließen Sie den Hebel oder schrauben Sie den Knopf auf der Schneidgutplatte wieder an.

## INSTANDHALTUNG

---

Schleifen des Messers

Wie oft das Messer geschliffen werden muss, hängt vom Gebrauch ab.

 **ACHTUNG! Scharfes Messer, Schneidgefahr!** Wenn das Messer nicht vom Schutz bedeckt ist, achten Sie besonders darauf, Ihre Hände weit vom ungeschützten Bereich entfernt zu halten.

Für den Schleifvorgang befolgen Sie die Anweisungen des

jeweiligen Modells:

VOLANO 12 RED (Abb. 6)

- Das Messer bei der Reinigung von Fettrückständen befreien

- Vergewissern Sie sich, dass der Schutz das Messer gut bedeckt

- Die Schneidgutplatte vom Messer entfernen.


- Heben Sie die Schleifvorrichtung an und drehen Sie sie um 180°.

- Senken Sie die Schleifvorrichtung vorsichtig wieder ab, wobei sich das Messer automatisch mittig zwischen den beiden Schleifscheiben positioniert

- Drücken Sie die Taste (B) etwa 10-15 Sekunden lang und drehen Sie gleichzeitig das Schwungrad. Lassen Sie die Taste (B) los, drücken Sie die Taste (C) für 2-3 Sekunden, und lassen Sie die los.

- Unterbrechen Sie die Rotation des Schwungrads

- Erst wenn das Messer still steht, bringen Sie die Schleifvorrichtung wieder in ihre ursprüngliche Position und ziehen Sie den Knauf fest.

 **ACHTUNG: Beschädigungsgefahr!** Lassen Sie sich für den Vorgang des Abgratens nicht zu viel Zeit (nicht mehr als 2-3 Sekunden), um eine Beschädigung des Messers zu verhindern.

Schmier (Abb. 7)

- Geben Sie einige Tropfen Öl auf die Stange (1) und in die Dichtung des Reglerknopfes für die Scheibendicke (2);

- Geben Sie einige Tropfen Öl in die Löcher (3 und 4);

- Geben Sie einige Tropfen Öl in die Dichtung zwischen

Schwungrad und Korpus der Aufschnittmaschine (5);

- Betätigen Sie kurz das Schwungrad.

Verwenden Sie zum Schmieren nur nicht saure Öle (wir empfehlen Vaselineöl). Keine pflanzlichen Öle verwenden.


## ASSISTENZ

---

Der Verpackung liegen keine Ersatzteile bei. Sämtliche Reparatur- und Austauscharbeiten (wie Austausch oder Reparatur von Messer, Riemen, elektrischen Bauteilen, strukturellen Teilen usw.) dürfen ausschließlich von Personal durchgeführt werden, das vom Hersteller autorisiert ist. Sollte eine Reparatur erforderlich sein, bringen Sie das Gerät möglichst zum Hersteller oder zu einer autorisierten Kundendienststelle.

Für Informationen zu Kundendienststellen, wenden Sie sich an:

[service@berkelinternational.com](mailto:service@berkelinternational.com).

 **ACHTUNG! Das Messer muss ausgetauscht werden, wenn der Abstand zwischen der Messerschneide und dem Innenrand der Schutzvorrichtung 6 mm übersteigt.**

## GARANTIE UND HAFTUNG

---

Der Hersteller liefert Geräte mit einer Garantielaufzeit von 24 Monaten ab Kaufdatum. Die Garantie deckt einzig Defekte ab, wenn das Gerät sachgemäß und im Einklang mit den vorgesehenen Betriebsbedingungen laut Anleitung genutzt wurde. Die Garantie deckt keine Mängel oder Schäden ab, die durch Folgendes verursacht werden: Transport, Unfä-

higkeit oder Fahrlässigkeit des Käufers, unsachgemäße Installation oder Positionierung, Verschleiß, Versorgung mit einer Spannung, die mehr als 10 % über der Nennspannung liegt. Darüber hinaus gilt die Garantie nicht für Verschleißteile wie das Messer und die Schleifscheiben der Schleifvorrichtung, sofern keine offensichtlichen Herstellungsfehler vorliegen.

Der Hersteller lehnt jede direkte und indirekte Verantwortung ab, die auf Folgendes zurückzuführen ist:

- Nichtbeachtung der Anweisungen der vorliegenden Anleitung;

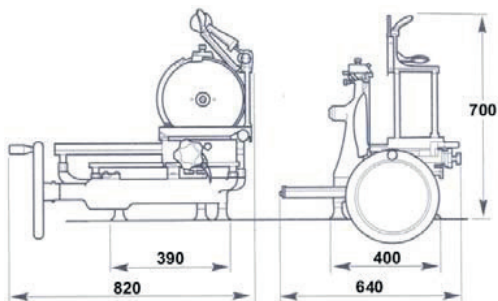
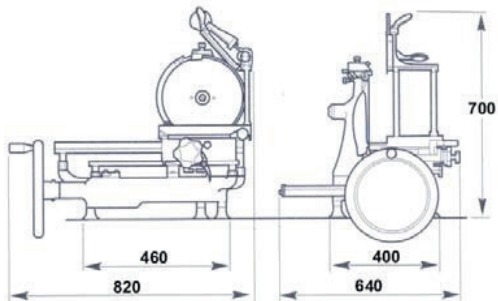
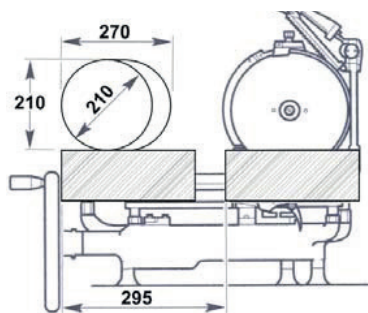
- Gebrauch, der nicht den im Aufstellungsland geltenden Normen entspricht;

- nicht autorisierte Änderungen und/oder Reparaturen am Gerät;

- Verwendung nicht originaler Zubehör- oder Ersatzteile;

- außergewöhnliche Ereignisse. Die Übertragung des Eigentums des Gerätes entbindet den Hersteller umgehend von jeglicher Verantwortung. Das Typenschild am Gerätesockel weist den Hersteller, den Gerätetyp und die technischen Informationen aus.

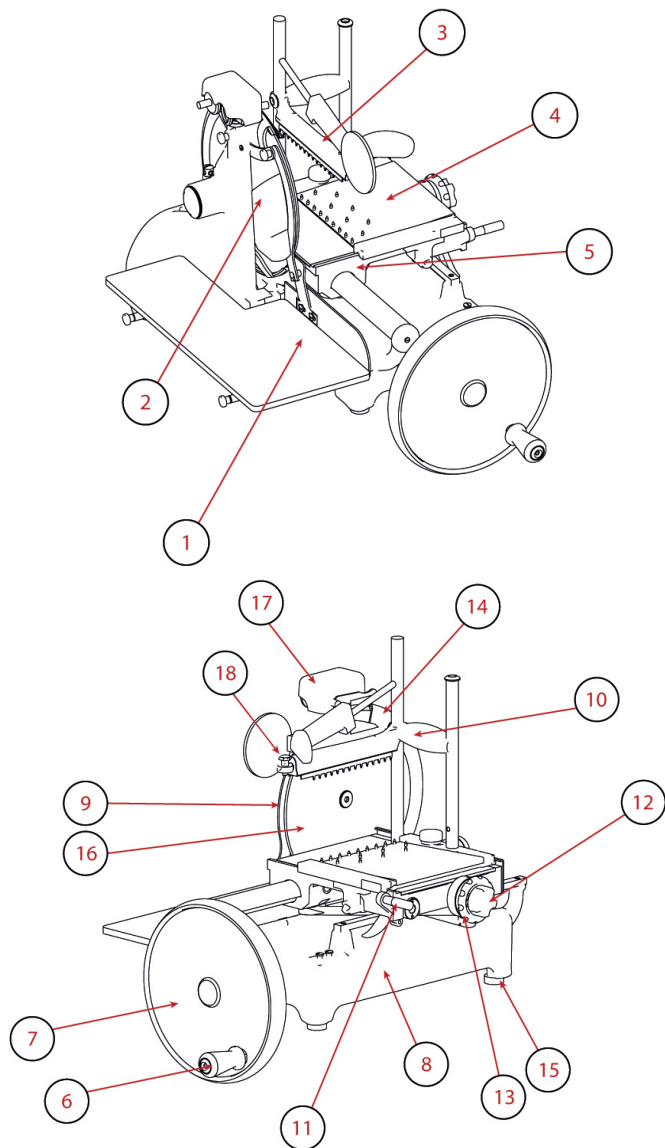
VOLANO 12 RED



TECHNISCHE MERKMALE		
Schnittleistung (rund)	210 mm	
Schnittleistung (rechteckig)	270x210 mm	
Max. Schnittstärke	1,5 mm	
Kilngedurchmesser	300 mm	
Gewicht	44 Kg	

## MANUEL D'INSTRUCTIONS : TRANCHEUSE MANUELLE À VOLANT

MODÈLES:  
VOLANO 12 RED



## ÉLÉMENTS PRINCIPAUX

1. Plateau de récupération
2. Protège-tranche
3. Presse-produit
4. Plateau port-aliment
5. Chariot
6. Poignée de manoeuvre du volant
7. Volant
8. Base
9. Anneau protecteur lame
10. Glissement vertical presse-produit
11. Levier pour l'avance rapide du plateau supérieur
12. Poignée pour l'avance du plateau supérieur
13. Poignée de réglage de l'épaisseur de la tranche
14. Protection de lame
15. Pied d'appui
16. Lame
17. Aiguisoir

Fig. 1

## DESCRIPTION

---

Trancheuses à volant avec lame circulaire, conçues pour trancher exclusivement les produits alimentaires indiqués dans ce manuel et dans les limites dimensionnelles prévues. Les parties principales qui composent la machine sont illustrées sur la figure 1.

## SÉCURITÉ

---

Les machines décrites dans ce manuel sont conformes aux standards européens dictés par les dernières normes en vigueur en termes d'hygiène et de sécurité.

Faire attention aux instructions suivantes pour votre sécurité:

- lire attentivement toutes les instructions avant d'utiliser la machine;
- le produit n'est pas indiqué pour l'utilisation de la part des enfants;
- utiliser la machine seulement après s'être instruit sur son fonctionnement et si l'on se trouve dans des conditions d'aptitude physique et mentale parfaites;
- ne pas utiliser la machine de manière différente que celle indiquée dans ce manuel;
- installer la machine en conformité avec les instructions indiquées dans le paragraphe «installation»;
- installer la machine dans un lieu hors de portée de personnel étranger aux opérations relatives à l'utilisation, en particulier les mineurs;
- utiliser la machine de manière très concentrée, sans se distraire pendant l'utilisation;
- ne pas autoriser l'utilisation de la machine à toute personne

n'ayant pas lu et assimilé pleinement ce manuel;

- ne pas porter de vêtements flottants ou avec des manches ouvertes;
- ne permettre à personne de s'approcher pendant le fonctionnement de découpe du produit;
- ne pas retirer, couvrir ou modifier les plaques situées sur la structure de la machine et, en cas d'endommagement de celles-ci, les remplacer rapidement;
- ne pas retirer les protections et ne pas modifier ou exclure les protections mécaniques;
- trancher uniquement les produits autorisés, ne pas essayer de découper des produits interdits;
- maintenir la zone d'appui du produit découpé, la zone tout autour de la machine et le sol au niveau de l'opérateur toujours propres et secs;
- ne pas utiliser la machine comme surface d'appui et ne poser aucun objet étranger aux opérations normales de découpe;
- ne pas utiliser la trancheuse lorsqu'à la suite d'une utilisation normale, la distance entre le fil de la lame et l'anneau pare-lame a dépassé 6 mm, dans ce cas, contacter le fabricant ou l'un des centres d'assistance agréés pour changer la lame;
- arrêter immédiatement la machine et contacter un centre d'assistance agréé en cas de dysfonctionnement, de suspicion de casse, de mouvements incorrects, de bruit insolites, etc.;
- toujours utiliser des gants de protection résistant aux coupures et aux lacérations pour les opérations de nettoyage et

d'entretien;

- placer et déplacer le produit à trancher sur le plateau supérieur coulissant seulement avec le plat complètement reculé (loin de la lame) et le chariot totalement vers l'opérateur;
- faire glisser le plat durant les opérations de découpe seulement et exclusivement au moyen du volant;
- ne jamais toucher le produit avec les mains durant la découpe. Garder les mains toujours éloignées de la lame;
- l'utilisation d'accessoires pour la découpe qui n'ont pas été fournis par le fabricant de la machine n'est pas autorisé. Le fabricant décline toute responsabilité dérivant d'une utilisation impropre, de modifications et/ou de réparations effectuées par l'utilisateur ou par du personnel non autorisé, d'une utilisation de pièces de rechange non originales ou non spécifiques pour le modèle de la machine.

Conditions de service ambiantes:

- Température de -5°C à +40°C
- Humidité max 95%

**NE PAS TRANCHER:**

- produits alimentaires congelés;
- produits alimentaires surgelés;
- produits alimentaires avec os (viandes et poissons);
- tout autre produit non destiné à une utilisation alimentaire.

**Risques résiduels**

L'anneau de protection autour de la lame protège l'opérateur du contact accidentel avec la lame. Toutefois, afin de consentir les opérations d'aiguillage, la protection n'élimine pas complètement le risque de

coupure.

**!** **ATTENTION!** Durant les opérations de nettoyage et d'aiguisage de la lame, faire extrêmement attention à garder les mains le plus loin possible de la zone non protégée. L'utilisation de gants de protection est conseillée.

## INSTALLATION

Si la colonne de support n'est pas utilisée (en option), installer la machine sur un plan bien nivelé, sec et adapté pour soutenir le poids de la machine, en plus du produit à trancher. Vérifier l'absence d'obstacles empêchant le mouvement du volant, la course du chariot et le chargement du produit à trancher. La hauteur conseillée du plan de travail est d'environ 80 cm. Soulever attentivement la machine et insérer les pieds en caoutchouc dans les sièges correspondant sur la base. Pour certains modèles, les pieds d'appui avant peuvent être dévissés et placés sur la position désirée en fonction de la profondeur du plan de travail.

Pour éviter des endommagements, certains modèles sont emballés avec le volant à part, non monté, durant le transport. Suivre ces instructions si le volant de la machine reçue n'est pas monté :

- insérer le volant sur l'arbre en vérifiant la juste correspondance des perçages manchon volant-arbre (Fig. 3-A) ;
- insérer dans le manchon la fiche conique avec l'extrémité conique (diamètre inférieur) orientée vers le manchon (Fig. 3-B) ;

**!** **ATTENTION !** Si la fiche est positionnée correctement, elle s'insérera complètement sans forcer.

- battre la fiche pour l'insérer complètement.

## OPÉRATION

- Vérifier que la lame est bien protégée par le pare-lame : en utilisant le levier de blocage de protection de la lame, s'il existe (Fig. 4) ; contrôler que la poignée de réglage de l'épaisseur soit en position de sécurité (en position '0') (13) ;

- Si la poignée est repliée vers le volant, la soulever en position de travail, perpendiculaire par rapport au volant ;

- En actionnant le volant (7) placer le chariot (5) totalement en avant (vers l'opérateur) ;

- reculer complètement (loin de la lame) le plat porte-aliment (4) en utilisant la poignée pour l'avance du plateau supérieur (12) ;

- placer le produit à découper sur le plat porte-aliment ;

- prendre la poignée pour le glissement vertical du presse-aliment et l'appuyer sur le produit ;

- prendre la poignée du bras du presse-aliment et le pousser avec force sur le produit pour le bloquer ;

- préparer l'épaisseur de la tranche désirée en tournant le bouton en même temps et sélectionner l'épaisseur ;

- approcher le plat porte-aliment (vers la lame) en intervenant sur le levier pour l'avance rapide du plateau supérieur (11) ou sur la poignée pour l'avance de plateau supérieur (12) ;

**!** **ATTENTION !** Laisser un espace compris entre

0,5 et 1 cm entre la lame et le produit.

- Découvrir la lame de sa protection, en fonction du modèle: a) tirer vers l'opérateur le levier de blocage, si présent, en la faisant tourner dans le sens anti-horaire; b) desserrer le pommeau de blocage du pare-lame, tirer vers l'opérateur, revisser le pommeau pour bloquer le pare-lame dans sa position de repos (lame découverte) ;

**!** **ATTENTION** **Lame aiguisée, danger de coupe !** Quand la lame n'est pas couverte par l'anneau protecteur, faire extrêmement attention à garder les mains les plus éloignées possible de la zone non protégée.

- Actionner le volant en la faisant tourner dans le sens horaire ;

**!** **ATTENTION! Risque d'endommagement!** Ne pas tourner le volant du chariot dans le sens contraire, la rotation inverse du volant peut endommager sérieusement la machine.

- durant la course de retour du chariot (vers l'opérateur), le dispositif mécanique qui fait avancer le plateau supérieur vers la lame est actionné en sens transversal ;

- quand le plat porte-aliment atteint la limite d'avance vers la lame, s'arrêter et soulever le presse-aliment. En utilisant la poignée pour l'avance de plateau supérieur ou le levier pour l'avance rapide, éloigner le plateau de la lame. Replacer le produit, le bloquer à nouveau au moyen du presse-aliment et recommencer à trancher ;

- Ôter le produit en réalisant les opérations dans le sens inverse.

**!** **ATTENTION danger de coupure !** Une fois que l'opération de coupe est terminée, tourner le levier dans le sens opposé : l'anneau de protection se superpose à la lame en éliminant le danger.

## NETTOYAGE

Les machines doivent être soigneusement nettoyées à la fin de leur utilisation. Après une période d'inactivité, elles doivent être nettoyées avant d'être utilisées.

Utiliser des gants de protection résistant aux coupures et aux lacérations et effectuer très attentivement toutes les opérations.

Produits pour le nettoyage: utiliser uniquement de l'eau avec un torchon doux, spongieux et éventuellement une brosse à dent en nylon semi-rigide pour les zones du plat et du presse-aliment. Ne pas nettoyer la machine avec des jets d'eau ou de vapeur ou méthodes équivalentes.

## DÉMONTAGE

- S'assurer que la protection couvre dûment la lame (9)
- Desserrer à la main la vis de blocage du pare-tranche et le retirer.
- Retirer la cuvette
- Retirer le plat porte-aliment, en tournant le levier de blocage en sans antihoraire, soulever le seul plat et le retirer.
- Retirer le plat collecteur. Si le plat est bloqué par deux pivots latéraux, les serrer avant de retirer le plat.

**!** **ATTENTION!** Sur certains modèles, pousser le plat porte-aliment en avant

avant de la soulever avec le porte-aliment.

## NETTOYAGE

- lame: presser un torchon humide sur la surface de la lame et le déplacer lentement du centre vers l'extérieur, comme sur la figure, sur le côté du couvre-lame et sur le côté opposé. De la même manière, sécher en utilisant un chiffon sec.;

**!** **ATTENTION!** Ne pas activer la trancheuse pendant le nettoyage de la lame.

- anneau de sécurité: utiliser une brosse à dent en nylon semi-rigide pour nettoyer la zone qui se situe entre la lame et l'anneau de protection;

**!** **ATTENTION! lame aiguisée, danger de coupe**

! Quand la lame n'est pas couverte par l'anneau protecteur, faire extrêmement attention à garder les mains les plus éloignées possible de la zone non protégée.

- structure machine: nettoyer la structure de la machine avec un torchon humide ou une éponge en rinçant avec de l'eau. Sécher avec soin.

## REMONTAGE

- Contrôler que la protection couvre dûment la lame (9);
- remettre la cuvette à sa place;
- fermer le pare-tranche;
- en utilisant la poignée du volant, tourner le volant (7) pour placer complètement en avant (vers l'opérateur) le plat porte-aliment coulissant (4);
- avec un mouvement vertical du haut vers le bas, remettre le plat porte-aliment en position initiale.

**!** **ATTENTION!** Sur certains modèles, après avoir placé le plat porte-ali-

ment, le pousser pour le fixer sur le support du plat. Fermer le levier ou serrer la poignée sur le plat porte-aliment si présente.

## ENTRETIEN

### Aiguisage de la lame

La fréquence et la durée de l'aiguisage dépendent de l'utilisation qui en est faite.

**!** **ATTENTION! lame aiguisée, danger de coupe!**


Quand la lame n'est pas couverte par l'anneau protecteur, faire extrêmement attention à garder les mains les plus éloignées possible de la zone non protégée.

Pour l'aiguisage de la lame, suivre les instructions selon le modèle indiqué:

VOLANO 12 RED (Fig. 6)

- Exécuter le nettoyage de la lame en la libérant des résidus de graisse
- Vérifier que la protection couvre dûment la lame
- Éloigner le plat porte-aliment de la lame
- Soulever l'aiguiseur et le tourner de 180°
- Baisser attentivement l'aiguiseur, la lame se centrera automatiquement entre les deux ressorts
- Appuyer sur le bouton (B) pendant environ 10-15 secondes et tourner en même temps le volant. Lâcher le bouton (B), appuyer sur le bouton (C) pendant 2-3 secondes et le relâcher.
- Interrompre la rotation du volant
- Seulement quand la lame est arrêtée, replacer l'aiguiseur dans sa position d'origine et

visser le pommeau

 **ATTENTION: risque d'endommagement!** Ne pas prolonger excessivement (pas plus de 2-3 secondes) l'opération d'ébarbage pour éviter d'endommager la lame.

### Lubrification (Fig. 7)

- Verser quelques gouttes d'huile sur la barre (1) et dans la jonction de la poignée de réglage de l'épaisseur de la tranche (2);

- verser quelques gouttes d'huile dans les trous (3 et 4);

- verser quelques gouttes d'huile dans la jonction entre le volant et la structure de la trancheuse (5);

- actionner brièvement le volant.

Pour la lubrification, utiliser seulement des huiles sans acides (on conseille huile de vaseline). Ne pas utiliser d'huiles végétales.


### ASSISTANCE

Les pièces de rechange ne sont pas fournies à l'intérieur de l'emballage. Toutes les activités de réparation et remplacement (comme le remplacement ou la réparation de lame, courroie, composants électriques, parties structurelles, etc.) doivent être effectuées exclusivement par du personnel autorisé par le fabricant même.

Si une réparation est nécessaire, il est recommandé de retourner la machine au fabricant ou à un centre d'assistance agréé.

Pour des informations concernant les centres d'assistance, contacter le:

service@berkelinternational.com.

 **ATTENTION! Il est obligatoire de remplacer la lame quand la distance entre le fil de la lame et le bord interne de la protection dépasse 6 mm.**

### GARANTIE ET RESPONSABILITÉ

La fabricant fournit les machines avec une garantie de 24 mois, à partir de la date d'achat. La garantie couvre seulement les défauts rencontrés durant une utilisation appropriée de la machine et conformément aux conditions d'utilisation prévues par le manuel. La garantie ne couvre pas les défauts liés au transport, incompétence ou négligence de l'acheteur, installation ou mauvais positionnement, dommages par usure, tension supérieure à 10% de la valeur nominale. De plus, la garantie ne couvre pas les composants intrinsèquement sujets à l'usure, comme la lame et les ressorts de l'aiguiseur, exception faite pour un défaut évident de fabrication.

Le fabricant décline toute responsabilité directe ou indirecte dérivant de:

- manque d'observation des instructions présentes dans le manuel;

- utilisation non conforme aux normes spécifiques en vigueur dans le pays d'installation;

- modifications et/ou réparations non autorisées effectuées sur la machine;

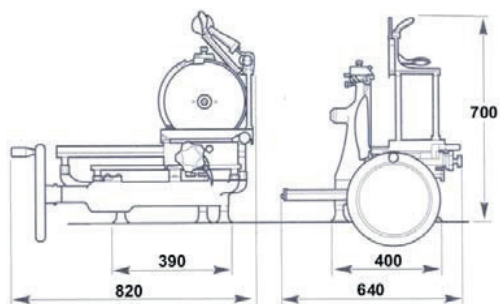
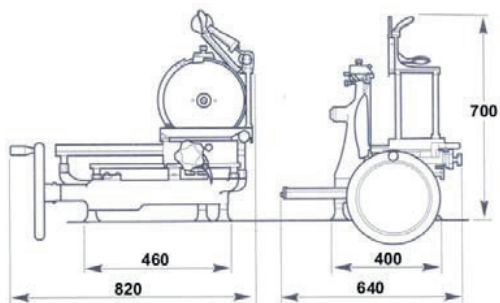
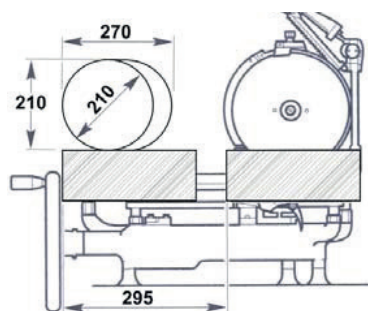
- utilisation d'accessoires et de pièces de rechange non originales;

- événements exceptionnels.

Le transfert de propriété de la machine comporte l'annulation immédiate de toute responsabilité de la part du fabricant. La

plaque d'identification sur la base de la machine enregistre le fabricant, la machine, les informations techniques.

VOLANO 12 RED

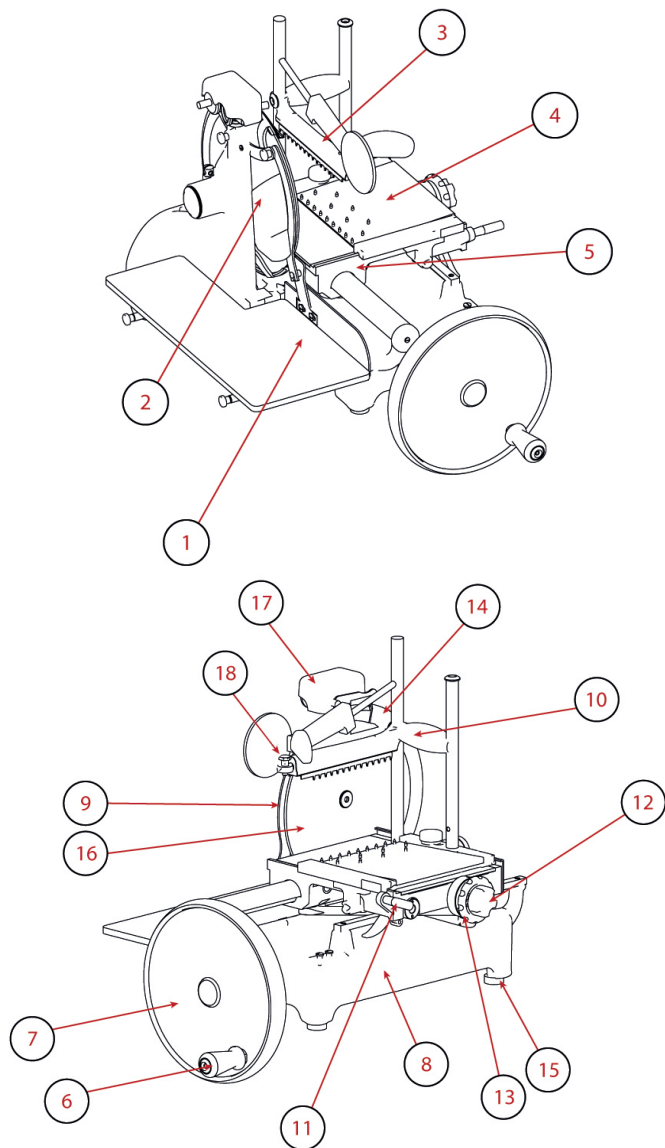


SPÉCIFICATIONS

Capacité de découpe circulaire	210 mm	
Capacité de découpe rectangulaire	270x210 mm	
Capacité max. de coupe	1,5 mm	
Diamètre Lame	300 mm	
Poids	44 Kg	

## NÁVOD K POUŽITÍ: MANUÁL KRÁJEČE SE SETRVAČNÍKEM

MODEL:  
VOLANO 12 RED



## ČÁSTI STROJE

1. Sběrná deska
2. Kryt plátků
3. Přítlačný prvek
4. Nosná deska
5. Suport
6. Manipulační rukojeť kotouče
7. Kotouč
8. Základna
9. Kryt nože
10. Svislý posun přítlačného prvku
11. Páčka pro rychlý posun horní desky
12. Kolečko pro posun horní desky
13. Regulace tloušťky plátku
14. Kryt nože
15. Opěrná nožka
16. Nůž
17. Brousek

## POPIS

Manuální kráječ se setrvačnickem vybavený kotoučovou čepelí, vhodný pouze pro krájení potravinářských produktů jednotlivých typů v rámci rozměrových možností uvedených v této příručce. Hlavní části, z nichž se stroj skládá, jsou znázorněny na obrázku 1.

## BEZPEČNOST

Stroje popsané v tomto návodu jsou v souladu s nejnovějšími evropskými hygienickými a bezpečnostními normami.

Věnujte pozornost následujícím základním bezpečnostním opatřením:

- před použitím si přečtěte všechny pokyny;
- tento produkt není určen k používání dětmi;
- s přístrojem pracujte pouze za předpokladu důkladného proškolení a v perfektní psychické i fyzické kondici;
- nepoužívejte kráječ jiným způsobem, než je uvedeno v tomto návodu;
- používejte kráječ pouze v plně strukturální, mechanické a systémové efektivitě.
- zařízení instalujte v souladu s pokyny uvedenými v kapitole „Instalace“;
- zařízení instalujte na místě mimo dosah nepovolaných osob, zejména mimo dosah dětí a mladistvých;
- během používání zůstaňte vysoce koncentrovaní a vyvarujte se rozptylování;
- nenechte kráječ používat další osoby, které si nenastudovali obsah této příručky;
- během krájení nenoste volné oblečení nebo oblečení s volnými rukávy;
- nedovolte nikomu dalšímu,

kromě obsluhy, přiblížit se k přístroji během procesu krájení;

- neodstraňujte, nezakrývejte ani neupravujte značky umístěné na těle přístroje a v případě jejich poškození je neprodleně vyměňte;
- neodstraňujte, neupravujte ani neobcházejte žádná mechanická ochranná zařízení;
- krájejte pouze povolené produkty, nepokoušejte pořezání na zakázaných typech produktů;
- kráječ, okolní pracovní plochu i podlahu udržujte vždy v čistotě a suchu;
- kráječ nepoužívejte jako odkládací plochu a nepokládejte na něj žádné jiné objekty než potraviny, které je potřeba nakrájet;
- nepoužívejte kráječ, přesahuje-li v důsledku běžného opotřebení vzdálenost mezi okrajem čepelí a ochranným kroužkem čepelí 6mm. V tomto případě kontaktujte výrobce nebo jednoho z autorizovaných servisních center pro výměnu čepelí;
- v případě poškození, abnormálního provozu, podezření na poruchu, nesprávného pohybu nebo neobvyklých zvuků, okamžitě zastavte stroj;
- během čištění a údržby používejte ochranné rukavice;
- pokládejte a odebírejte produkty, které mají být nakrájeny, pouze na posuvnou desku s vozíkem zcela staženým a položte ochranu čepelí do bezpečné polohy;
- k rozhybání desky použijte během krájení pouze setrvačnick; - během krájení nikdy nepokládejte ruce na krájené potraviny. Vždy držte ruce co nejdále od čepelí;
- používání kráječového příslušenství, které nebylo dodané výrobcem spolu s přístrojem, je zakázáno.

Výrobce odmítá jakoukoliv odpovědnost vycházející z nesprávného používání, úprav a/ nebo oprav prováděných uživatelem nebo neoprávněnou osobou, použití náhradních dílů, které nejsou originální nebo nejsou specifické pro daný model stroje.

Podmínky používání:

- Teplota od -5°C do +40°C
- Maximální vlhkost 95%

NEKRÁJEJTE:

- zmrzlé potravinářské produkty;
- potravinářské produkty s kostí;
- zeleninu obecně;
- jakýkoliv jiný výrobek, který není určen pro použití v potravinách.

### Zbývá rizika

Ačkoliv bezpečnostní kroužek kolem ostří chrání obsluhu před náhodným kontaktem s čepelí, aby bylo možné další broušení čepelí, nemusí ochrana v oblasti ostření zcela eliminovat riziko pořezání.



**POZOR: během čištění a broušení čepelí věnujte zvýšenou pozornost, aby se Vaše ruce držely co nejdále od nechráněné oblasti. Doporučujeme použít ochranné rukavice.**

## INSTALACE KRÁJEČE

Přístroj instalujte na rovný, hladký a suchý povrch vhodný pro udržení hmotnosti přístroje vč. váhy krájených produktů. Doporučená výška pracovní plochy je cca 80 cm. Opatrně nadzvedněte přístroj a vložte všechny nožičky do příslušných otvorů v základně. U některých modelů lze přední opěrné nožky odsroubovat a umístit do požadované


polohy v závislosti na hloubce pracovní plochy.

Aby nedošlo k poškození, některé modely jsou během přepravy zabalené s nenamontovaným kotoučem zvlášť.

Není-li kotouč obdrženého stroje namontován, postupujte podle pokynů:

- vložte kotouč na hřídel a zkontrolujte, zda odpovídají otvory objímka kotouče – hřídel (Obr. 3-A)

- vložte do objímky kónický kolík se zúženým koncem (menší průměr) orientovaným směrem k objímce (Obr. 3-B)

 **POZOR!** Pokud je kolík umístěn správně, zasune se téměř bez použití síly.

- pro úplné vsunutí kolík zatlačte.

## POUŽÍVÁNÍ

- Zkontrolujte, zda je nůž dobře chráněn krytem nože: s použitím blokovací páčky chrániče nože, je-li součástí přístroje (obr.4); ujištěním se o tom, že je rukojeť na regulaci tloušťky v bezpečnostní poloze (v poloze "0") (13);

- Pokud je rukojeť sklopená směrem ke kotouči, zvedněte ji do pracovní polohy, kolmo ke kotouči;

- Použijte rukojeť setrvačnicku, otočte setrvačnickem (7) tak, aby se vozík (5) zcela přesunul vpřed (směrem k obsluze);

- Krájecí desku (4) zajistěte (od čepelí) použitím rychlostní zálohy zařízení desky (12);

- položte výrobek, který má být nařezán, na nosnou desku;


- uchopte rukojeť pro svislý posun přítlačného prvku a zatlačte jí na výrobek;

- uchopte rukojeť ramene přítlačného prvku a přítlačte jej silou na výrobek, aby se zablo-


koval;

- nastavte požadovanou tloušťku plátku současným otočením rukojeti a zvolte tloušťku;


- Přisuněte posouvací desku s potravinou (směrem k čepeli), použijte rychlostní zálohu zařízení desky (11) nebo zálohu mechaniky desky (12);

 **POZOR!** Nechte mezi nožem a výrobkem mezeru 0,5 až 1 cm.

- Sejměte z nože kryt v závislosti na modelu: a) Je-li jí přístroj vybaven, zatáhněte za blokovací páčku směrem k obsluze a otočte jí proti směru hodinových ručiček; b) uvolněte blokovací kolečko krytu nože, potáhněte za něj směrem k obsluze a opětovně kolečko utáhněte, aby se kryt nože zablokoval v klidové poloze (s odkrytým nožem);

 **POZOR Ostrý nůž, nebezpečí pořezání!** Pokud nůž není chráněn krytem, velmi pozorně dbejte toho, abyste udržovali ruce co možná nejdále od nechráněného prostoru.

- Uvedte kotouč do chodu jeho otočením ve směru hodinových ručiček;


 **POZOR!** Nikdy setrvačnicku neotáčejte protisměru hodinových ručiček, opačný chod setrvačnicku může vážně poškodit přístroj.

- Při zpětném pohybu (směrem k obsluze) se posuvná deska automaticky posune směrem k čepeli;

- jakmile posuvná deska dosáhne limitu v posunu směrem k čepeli, zanechte krájení a zvedněte horní svorky. Použijte rychlostní zálohu zařízení desky nebo zálohu mechaniky desky k odtažení posuvné desky od čepelí. Přemístěte produkt, znovu uzamkněte horní svorkou a znovu začněte krájet;

- Odstraňte výrobek provede-

ním příslušných úkonů v opačném sledu

 **POZOR, nebezpečí pořezání!** Po dokončení krájení otočte páčkou v opačném směru: ochranný kroužek překryje nůž, čímž dojde k odstranění rizika pořezání.

## ČIŠTĚNÍ

Po ukončení používání přístroje je třeba je pečlivě vyčistit. Přístroj čistěte vždy před použitím po dlouhé době nečinnosti. Používejte ochranné rukavice proti pořezání, odolné protřzení, a veškeré operace provádějte s velkou opatrností.

Čistící produkty: používejte pouze vodu a biologicky odbouratelný jemný čistící prostředek, měkký hadřík nebo houbičku a polotuhý nylonový kartáč na ostré oblasti desky a držák výrobku. Přístroj nemyjte proudem vody, párou nebo podobnými metodami.

## DEMONTÁŽ


- Zkontrolujte, zda kryt patřičně pokrývá nůž (9).

- Ručně odšroubujte blokovací šroub krytu plátků a odstraňte ho.

- Vytáhněte vaničku.

- Odstraňte nosnou desku otočením blokovací páčky proti směru hodinových ručiček, zvedněte ji a vytáhněte.

- Vyjměte sběrnou desku. Pokud je deska zablokována dvěma bočními čepi, před vyjmutím desky je nejdříve uvolněte.

 **POZOR** u některých modelů zatlačte desku vpřed před jejím nadzvednutím nadzvedáváním vrchním upínacím ramenem.

## ČIŠTĚNÍ

- Čepel: stiskněte vlhký hadřík na povrchu čepele a pomalu otřete ze středu směrem ven ke straně krytu ostří a na opačnou stranu. Stejným způsobem osušte suchým hadříkem;

**! POZOR!** Nikdy v průběhu čištění čepele nespouštějte setrvačnik.

- Bezpečností kroužek: použijte jemný kartáč k očištění prostoru mezi čepelí a bezpečnostním kroužkem;

**! POZOR Ostrý nůž, nebezpečí porážení!** Pokud nůž není chráněn krytem, velmi pozorně dbejte toho, abyste udržovali ruce co možná nejdále od nechráněného prostoru.

- Tělo stroje: použijte vlhký hadřík nebo houbu. Pečlivě osušte.

## SMONTOVÁNÍ

- Zkontrolujte, zda ochrana čepele řádně zakrývá ostří (9);

- Položte tácek pro přebytky do jeho specifické pozice;

- Uzavřete deflektor krájení;

- Použitím rukojeti setrvačniku otočte setrvačnik (7) tak, aby se posuvná deska pohla zcela vpřed (směrem k uživateli) (4);

- Vertikálním pohybem od vrchu dolů umístěte desku do její pozice.

**! POZOR!** u některých modelů je nutné po vložení posuvné desky ji zatlačit vpřed, aby se zajistila bezpečná přeprava. Je-li jí přístroj vybaven, zavřete páčku nebo utáhněte rukojeť na nosné desce.

## ÚDRŽBA

### Broušení čepele

Frekvence a trvání ostření záleží na užívání stroje.

Při broušení postupujte podle pokynů v závislosti na modelu:

VOLANO 12 RED (Obr. 6)

- Vyčistěte nůž a odstraňte z něj zbytky tuku

- Zkontrolujte, zda kryt patřičně pokrývá nůž

- Posuňte nosnou desku od nože

- Zvedněte brousek a otočte jím o 180°

- Opatrně brousek spusťte, nůž se automaticky vycentruje mezi dvěma pružinami

- Stiskněte tlačítko (B) na cca 10-15 vteřin a zároveň otočte kotoučem. Uvolněte tlačítko (B), stiskněte na 2 - 3 vteřiny tlačítko (C) a poté ho uvolněte.

- Přerušte rotaci kotouče

- Až když se nůž zastavil, brousek umístěte do původní polohy a zatáhněte kolečko.

**! POZOR!** Neprodlužujte zbytečně (déle než 2-3 vteřiny) proces odstraňování otřepů, aby se zabránilo poškození čepele.

MAZÁNÍ (Obr. 7)

- Nakapejte pár kapek oleje do spoje tyčky (1) a knoflíku pro regulaci síly plátku (2);

- nakapejte pár kapek oleje do otvorů (3 a 4);

- nakapejte pár kapek oleje na spoj setrvačniku do konstrukce (5);

- krátce aktivujte setrvačnik.

Pro mazání používejte pouze oleje bez kyselin (doporučujeme vazelinu). Nepoužívejte rostlinný olej.

## SERVIS

Uvnitř přístroje se nenachází žádné uživatelsky opravitelné součásti. Výrobek světe kvalifikovaným pracovníkům. Veškeré opravy a výměny (jako například výměna čepele, opravy konstrukčních dílů, opravy a/nebo opětovné umístění komponentů

tů apod.) musí být provedeny osobou pověřenou výhradně výrobcem.

Pokud je potřeba provést servis, můžete kráječ vrátit výrobci nebo ho předat jednomu s autorizovaných servisních center. Pro informace o servisu nás kontaktujte na:

service@berkelinternational.com.

**! POZOR!** Výměna čepele je povinná, přesahuje-li vzdálenost mezi okrajem čepele a vnitřním okrajem krytu 6 mm.

## ZÁRUKA A ODPOVĚDNOST

Výrobce dodává přístroj s omezenou zárukou 24 měsíců od data nákupu. Záruka se vztahuje pouze na závady vzniklé za podmínek určeného použití, během správné manipulace. Záruka se nevztahuje na vady vzniklé způsobem dopravy, nedbalostí kupujícího, nesprávnou instalací, neoprávněnými zásahy nebo v případě přirozeného opotřebení nebo při kolísání napětí vyšším než 10% jmenovité hodnoty. Kromě toho se záruka nevztahuje na komponenty podléhající opotřebení, jako jsou například čepele a brousky s výjimkou zjevné výrobní vady.

Výrobce odmítá jakoukoliv přímou i nepřímou odpovědnost vyplývající z:

- nedodržení pokynů uvedených v tomto návodu k obsluze;

- používání, které není v souladu se specifickými předpisy země instalace;

- neautorizované modifikace a/ nebo opravy prováděné na přístroji;

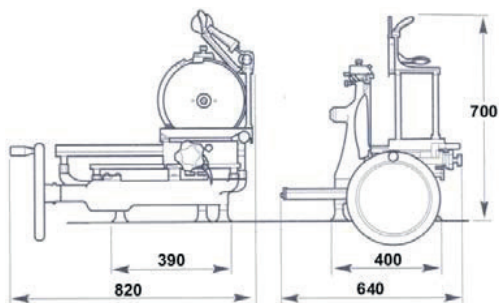
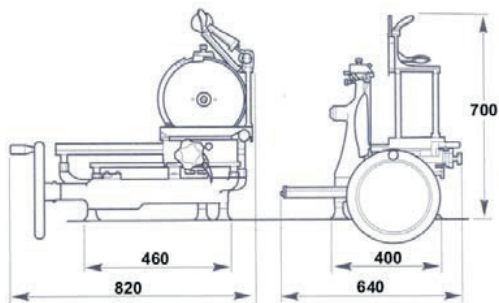
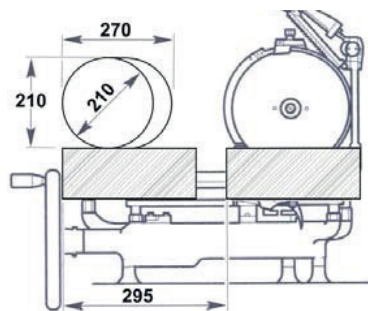
- použití neoriginálního příslušenství a náhradních dílů;

- mimořádných událostí.

Převod vlastnictví přístroje automaticky zbavuje výrobce od-

povědnosti za příslušný přístroj.  
Identifikační štítek zespodu desky označuje výrobce, přístroj a technické informace.

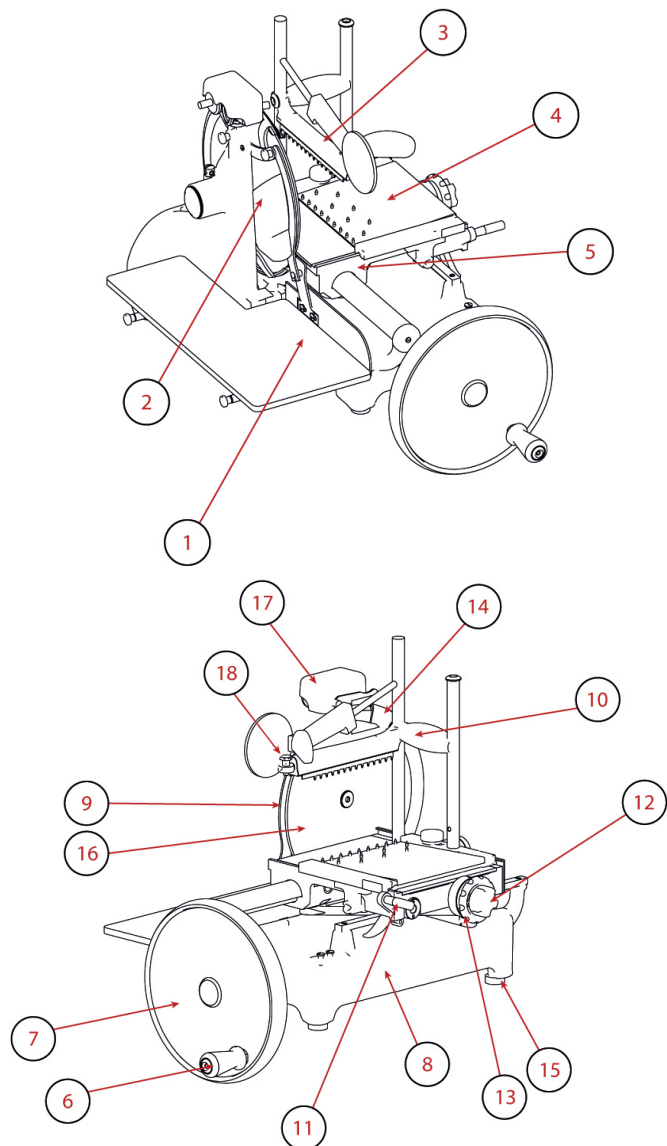
VOLANO 12 RED



SPECIFIKACE		
Výkon při kruhovém řezání	210 mm	
Výkon při obdélníkovém řezání	270x210 mm	
Maximální tloušťka plátku	1,5 mm	
Průměr nože	300 mm	
Hmotnost	44 Kg	

# BETJENINGSVEJLEDNING MANUEL SLICER MED HÅNDHJUL

MODELLER:  
VOLANO 12 RED



## MASKINDELE

1. Nedfaldsplade til afskårne skiver
2. Skiveføring
3. Pigplade
4. Plade til produkt
5. Slæde
6. Manøvrehandtag håndhjul
7. Håndhjul
8. Base
9. Klingeafskærmning
10. Lodret kørsel pigplade
11. Håndtag til hurtig kørsel for plade
12. Håndhjul til fremkørsel af plade
13. Regulering af skivetykkelse
14. Klingeafskærmning
15. Støttefod
16. Klinge
17. Slibeanordning

Fig. 1

## BESKRIVELSE

---

Slicere med rund klinge, designede til udskæring af fødevarer af den type og med de størrelser, som er anført i denne betjeningsvejledning. Maskinens vigtigste dele er illustreret i figur 1.

## SIKKERHED

---

Maskinerne, som er beskrevet i denne betjeningsvejledning opfylder kravene i de europæiske standarder til hygiejne og sikkerhed i henhold til de seneste forordninger.

Af hensyn til din sikkerhed, bør du følge disse anvisninger:

- Læs nøje alle instruktioner, før du tager maskinen i brug;

- Produktet er ikke beregnet til brug af børn;

- Brug kun maskinen, hvis du har tilstrækkelig uddannelse og er i perfekt psyko-fysisk tilstand;

- Brug aldrig maskinen på andre måder end som anvist i denne betjeningsvejledning;

- Installér maskinen i overensstemmelse med instruktionerne i afsnittet "Installation";

- Installér maskinen på et sted, som er uden for andet personales rækkevidde, der ikke benytter maskinen, navnlig mindreårige;

- Vær koncentreret, når du benytter maskinen, og sørg for ikke at blive distraheret under brug;

- Lad ikke personale, som ikke har læst og forstået indholdet i denne betjeningsvejledning, benytte maskinen;

- Bær ikke løstsiddende tøj eller med åbne manchetter;

- Tillad aldrig, at andre end operatøren nærmer sig maskinen, mens produktet skæres;

- Fjern, tildæk eller manipuler aldrig med skiltene på maskinen, og sørg for, at de omgående bliver udskiftet, hvis de er defekte;

- Fjern aldrig beskyttelsesværn, og manipuler eller tilsidesæt aldrig de mekaniske eller elektriske sikkerhedsanordninger;

- Skær kun de tilladte produkter; forsøg aldrig at skære i produkter, som ikke er tilladt;

- Hold altid området, hvor det afskårne produkt lægges ned, hele området omkring maskinen og gulvet rent og tørt;

- Brug ikke maskinen som støtte, og læg aldrig genstande på maskinen, som ikke anvendes til skæringen;

- Brug ikke sliceren, når afstanden mellem klingens kant og ringen på klingens sikkerhedsværn er mere end 6 mm. Hvis dette er tilfældet skal producenten eller et af de autoriserede servicecentre tilkaldes for at udskifte klingen;

- Stop omgående maskinen i tilfælde af fejlfunktioner, mistanke om defekter, forkerte bevægelser, usædvanlige lyde osv.;

- Benyt altid snitresistente handsker til rengøring og vedligeholdelse;

- læg og fjern kun produktet, som skal snittes, fra slædens plade, når den er trukket helt tilbage (langt væk fra klingen) mod operatøren;

- brug kun håndhjulet til at bevæge slæden frem og tilbage, når der snittes;

- Rør aldrig ved produktet med hænderne, når der snittes. Hold altid hænderne langt væk fra klingen;

- Det er ikke tilladt bruge andet tilbehør til sliceren end det, som er leveret af maski-

nens producent sammen med maskinen.

Producenten fralægger sig ethvert ansvar for skader, der opstår som følge af forkert brug, ændringer og/eller reparationer udført af brugeren eller uautoriseret personale, brug af ikke-originale reservelede eller dele, som ikke er specifikke for den pågældende model.

Kan anvendes i omgivelser med:

- Temperaturer fra -5 ° C til +40 ° C

- Luftfugtighed maks. 95%

### SNIT ALDRIG:

- dybfrosne fødevarer;


- frosne fødevarer;

- fødevarer med knogler (kød og fisk);

- ethvert andet produkt, som ikke er fødevarer.

### Resterende risici

Ringene omkring klingen beskytter operatøren mod tilfældig kontakt med klingen. Dette eliminerer dog ikke helt risikoen for skæring.

 **ADVARSEL! Når klingen gøres rent og slibes, er det nødvendigt at være meget forsigtig og holde hænderne så langt som muligt borte fra området, som ikke er beskyttet. Det anbefales at bruge beskyttelseshandsker.**

### INSTALLATION

---

Hvis støttesøjlen (ekstraudstyr) ikke anvendes, skal maskinen installeres på en plan og glat overflade, tør og egnet til at bære vægten af selve maskinen samt fødevarerne, som skal snittes. Kontrollér, at der ikke er forhindringer for hånd-

hjulets bevægelse og placeringen af produkterne, som skal snittes, på slæden. Arbejdsfladens anbefalede højde er på ca. 80 cm. Løft forsigtigt maskinen ud, og sæt gummifødderne på deres pladser i maskinens base. Det er muligt på visse modeller at løsne støttestøddernes skruer, og at anbringe dem i den ønskede position, afhængigt af arbejdsfladens dybde.

For at undgå skader under transport, emballeres visse modeller med håndhjulet adskilt og ikke monteret. Hvis håndhjulet ikke er monteret på maskinen, som leveres, er fremgangsmåden følgende:

- anbring håndhjulet på akslen og kontrollér, at hullerne på muffen og håndhjulets aksel flugter (Fig. 3-A)

- isæt den koniske stift i muffen, med den spidse ende (mindre diameter), der vender mod selve muffen (Fig. 3-B)

**⚠ ADVARSEL!** Hvis stiften er korrekt placeret, trænger den næsten helt ind, uden at forcere.

- slå på stiften for at føre den helt ind.

## BRUG AF MASKINEN

- Kontrollér, at klingeafskærmningen beskytter klingens på korrekt måde: ved brug af åsehåndtaget til beskyttelse af klingens, hvis relevant (Fig. 4); kontrollér, at håndtaget, som regulerer skivetykkelsen er i sikkerhedsposition (position "0") (13);

- Hvis håndtaget er foldet ned mod håndhjulet, løft selve håndtaget i arbejdsposition, dvs. perpendikulært i forhold til håndhjulet;

- Drej håndhjulet (7), og kørsælæden (5) helt tilbage (mod

operatøren);

- træk pladen til produkterne (4) helt tilbage (væk fra klingens) ved hjælp af anordningen til hurtig bevægelse (12);

- anbring produktet der skal skæres på pladeenheden;

- tag fat på håndtaget til den lodrette fremføring af pigpladen og tryk den på produktet;

- tag fat på håndtaget på pigpladens arm og tryk den stærkt på produktet for at blokere det;

- indstil den ønskede skivetykkelse ved at dreje håndtaget på samme tidspunkt og vælg tykkelsen;

- nærm pladeenheden med produktet til klingens enten ved hjælp af anordningen til hurtig bevægelse (11), eller med fremføringsanordningen (12);

**⚠ OBS!** Efterlad en afstand mellem 0,5 og 1 cm mellem klinge og produkt.

- Fjern klingeafskærmningen, afhængigt af modellen: a) træk låsehåndtaget, hvis relevant, i retningen af operatøren, og drej det mod uret; b) løsne klingeafskærmningens låsehåndtag, træk det i retningen af operatøren, fastgør håndtaget for at låse klingeafskærmningen i hvileposition (klingen er fri);

**⚠ ADVARSEL Skarp klinge, skærefare!** Når klingens ikke er afskærmet er det nødvendigt at udvise stor forsigtighed og holde hænderne så langt som muligt væk fra området, der ikke er beskyttet.

- Drej håndhjulet ved at dreje det med uret;

**⚠ ADVARSEL! Fare for at beskadige maskinen!** Drej ikke slædens håndhjul i den modsatte retning. Det kan beskadige maskinen alvorligt.

- når slæden kører tilbage (mod operatøren) aktiveres en

mekanisk anordning, som får pladeenheden til at bevæge sig frem i tværgående retning mod klingens;

- Når pladen er så tæt på klingens, som muligt, stoppes pladen og pigpladen løftes. Brug pladens fremføringsanordning, eller anordningen til hurtig bevægelse, og fjern pladen fra klingens. Læg produktet tilbage på pladen, og blokér det igen med pigpladen. Begynd at skære igen;

- For at fjerne produktet, følg den samme fremgangsmåde i modsat retning

**⚠ ADVARSEL skærefare!** Når skæringen er afsluttet, drej stangen i den modsatte retning: Beskyttelsesringen dækker klingens, og eliminerer faresituationen.

## RENGØRING

Maskinen skal gøres omhyggeligt rent efter anvendelse. Efter en periode med inaktivitet skal maskinen gøres rent, før den igen tages i brug. Brug altid snitresistent handsker, og vær ekstremt opmærksom, når arbejdet udføres.

Rengøringsmidler:

Brug kun vand og en blød klud, eventuelt en halvstiv nylonbørste til områderne omkring pladen og pigpladen. Gør aldrig maskinen rent med vand- eller dampstråler eller tilsvarende metoder.

## AFMONTERING

- Kontrollér, at klingeafskærmningen (9) er på plads

- Afskru skiveføringens låseskrue manuelt og fjern den.

- Fjern bakken

- Fjern slæden, drej låsehåndtaget mod uret, løft udelukken-

de slæden og fjern den.

- Træk nedfaldspladen ud. Hvis slæden er låst med to sidestifter, løs dem før slæden trækkes ud.

**!** **ADVARSEL!** På nogle modeller skal pladeenheden skubbes frem inden den løftes af.

## RENGØRING

- klingen: tryk en fugtig klud mod klingens overflade på siden med klingeafskærmningen og den modsatte side, og før den langsomt i en bevægelse fra midten mod kanten, sådan som vist i figuren. Tør klingen på samme måde med en tør klud;

**!** **ADVARSEL!** Sliceren må ikke startes, mens rengøringen udføres.

- sikkerhedsring: brug en halvstiv nylonbørste til at gøre området mellem klingen og sikkerhedsringen rent;

**!** **ADVARSEL Skarp klinge, skærefare!** Når klingen ikke er afskærmet, er det nødvendigt at udvise stor forsigtighed og holde hænderne så langt væk som muligt fra området, væk ikke er beskyttet.

- maskinhuset: gør maskinhuset rent med en fugtig klud eller svamp, som skylles under rindende vand. Tør omhyggeligt.

## GENMONTERING

- Kontrollér, at afskærmningen dækker klingen (9);  
- Sæt bakken tilbage på plads;  
- Luk skiveføringen;  
- Drej håndhjulet (7) ved hjælp af dets håndtag, indtil slæden med pladeenhed (4) er kørt helt frem (mod operatøren);  
- Med en lodret bevægelse oppefra og ned sættes plade-

enheden tilbage på sin oprindelige plads.

**!** **ADVARSEL:** på nogle modeller skal pladestøtten skubbes og låses, efter at pladeenheden til produkterne er sat på plads. Hvis monteret, luk stangen eller skru håndtaget på pladeenheden fast.

## VEDLIGEHOLDELSE

### Slibning af klingen

Det afhænger af den faktiske brug, hvor hyppigt klingen skal slibes, og hvor længe den holder sig skarp.

**!** **ADVARSEL! Skarp klinge, skærefare!** Når kniven ikke er afskærmet, er det nødvendigt at udvise ekstrem forsigtighed og holde hænderne så langt væk som muligt fra området, som ikke er beskyttet.

Følg instruktionerne for de enkelte modeller for at slibe klingen:

### VOLANO 12 RED (Fig. 6)

- Rengør klingen og fjern fedtrestene

- Kontrollér, at afskærmningen dækker klingen

- Fjern pladeenheden fra klingen

- Løft slibeanordningen, og drej den 180°

- Sænk forsigtigt slibeanordningen; klingen bliver automatisk centreret mellem to fjedre

- Tryk på knappen (B) i ca. 10-15 sekunder, og drej samtidig håndhjulet. Slip knappen (B), og tryk på knappen (C) i 2-3 sekunder. Slip den derefter igen.

- Afbryd håndhjulets rotation  
- Først når klingen er stoppet sættes slibeanordningen tilbage i den oprindelige position,

og håndtaget skrues fast.

**!** **ADVARSEL!** Fare for at beskadige maskinen! Kør ikke afgratningen for længe (ikke mere end 2-3 sekunder) for at undgå at beskadige klingen.

### Smøring (Fig. 7)

- Kom et par dråber olie på stangen (1) og i sammenkoblingen til håndtaget, som regulerer skivetykkelsen (2);

- Kom et par dråber olie i hullerne (3 og 4);

- Kom et par dråber olie i sammenkoblingen mellem håndhjulet og maskinlegemet (5);

- Drej håndhjulet et par gange. Brug kun syrefri olie (vi anbefaler vaselineolie). Brug aldrig vegetabiliske olier.

## ASSISTANCE

Der følger ikke reservedele med leveringen. Al reparation og udskiftning af dele (f.eks. klinge, drivrem, elektriske komponenter, strukturelle dele) må udelukkende udføres af producentens autoriserede personale.

Hvis reparation er nødvendig, anbefales det at returnere maskinen til producenten eller et autoriseret servicecenter.

Oplysninger om servicecentre kan fås ved henvendelse til: [service@berkelinternational.com](mailto:service@berkelinternational.com).

**!** **ADVARSEL!** Klingen skal udskiftes, når afstanden mellem selve klingens kant og afskærmningen indvendige kant overstiger 6 mm.

## GARANTI OG HÆFTELSE

Producenten leverer maski-

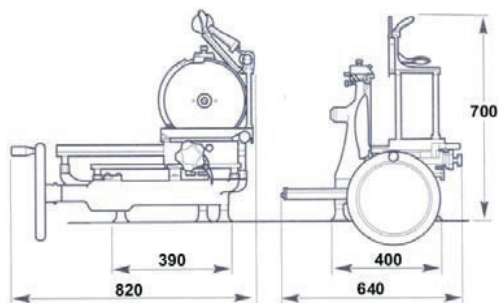
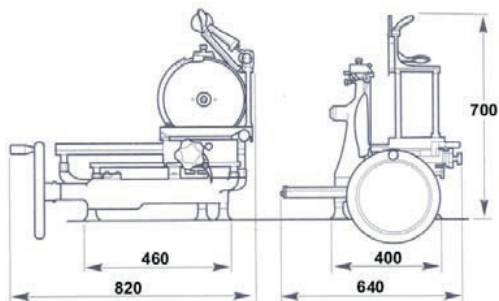
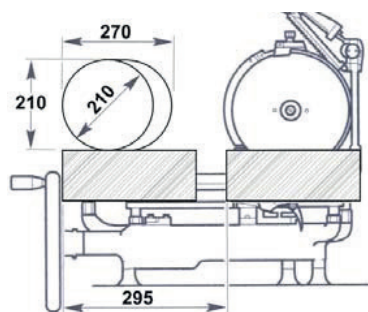
nerne med en garanti på 24 måneder med start fra købsdatoen. Garantien omfatter kun defekter, som opstår i forbindelse med korrekt brug og ved overholdelse af instruktionerne i betjeningsvejledningen. Garantien dækker ikke skader opstået som følge af transporten eller køberens uagtsomhed, forkert installation eller placering, skader som følge af slid eller forsyningsspænding, som overskrider den nominelle værdi med mere end 10%. Desuden dækker garantien ikke sliddele som f.eks. klinge og fjedrene i slibeanordningen med undtagelse af tydelige fabriktionsfejl.

Producenten fralægger sig ethvert ansvar for direkte og indirekte skader som følge af:

- manglende overholdelse af instruktionerne i denne betjeningsvejledning;
- brug af maskinen i uoverensstemmelse med bestemmelser og standarder gældende i landet, hvor maskinen er installeret;
- uautoriserede ændringer og/eller reparationer på maskinen;
- brug af ikke-originale reservedele og tilbehør;
- usædvanlige begivenheder.

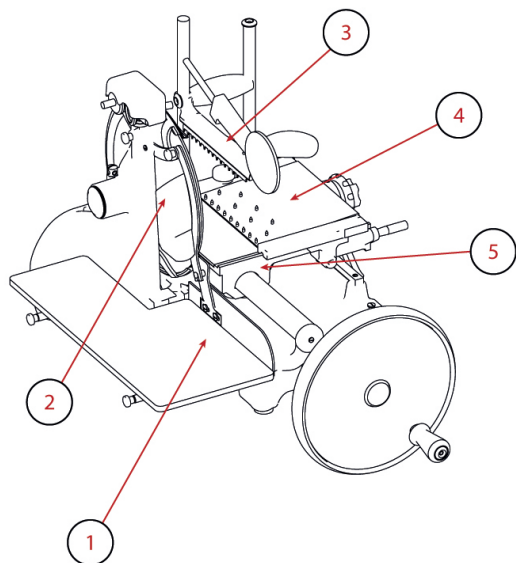
Overførsel af ejendomsretten til maskinen medfører øjeblikket ophør af ethvert ansvar for producenten. Maskinens typeskilt indeholder oplysninger om producent, maskine og tekniske specifikationer.

VOLANO 12 RED



SPECIFIKATIONER		
Kapacitet rundskæring	210 mm	
Kapacitet lineær skæring	270x210 mm	
Maks. skivetykkelse	1,5 mm	
Klindediameter	300 mm	
Vægt	44 Kg	

MODELOS:  
VOLANO 12 RED



## COMPONENTES PRINCIPALES

1. Piatto raccogliatore
2. Paralonchas
3. Sujetador de alimentos
4. Plato
5. Carro
6. Manija del volante
7. Volante
8. Basamento
9. Paracuchilla
10. Desplazamiento vertical prensa producto
11. Palanca de avance rápido superficie apoyo plato
12. Volante avance superficie apoyo plato
13. Perilla de regulacion grosor de la loncha
14. Cubre cuchilla
15. Pie de apoyo
16. Cuchilla
17. Afilador

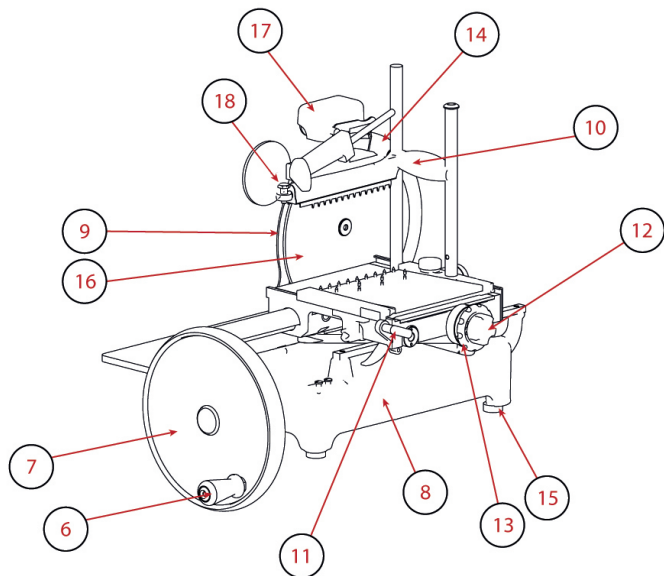


Fig. 1

## DESCRIPCIÓN

Cortadoras de fiambres de volante con cuchilla circular, diseñadas para cortar exclusivamente productos alimentarios del tipo y dentro de los límites de tamaño indicados en el presente manual. Las piezas principales de la máquina se han representado en la figura 1.

## SEGURIDAD

Las máquinas descritas en este manual respetan los estándares europeos de higiene y seguridad establecidos por las últimas normativas.

Para su seguridad, siga las siguientes instrucciones:

- lea atentamente la totalidad de las instrucciones antes de usar la máquina;
- el producto no puede ser utilizado por niños;
- utilice la máquina sólo si se encuentra debidamente entrenado y en perfectas condiciones físicas y mentales;
- no use la máquina de forma alguna que no sea la indicada en este manual;
- instale la máquina siguiendo las instrucciones del apartado 'Instalación';
- instale la máquina en un lugar fuera del alcance de personal ajeno a su uso y, sobre todo, de los menores de edad;
- use la máquina con gran concentración y evite distraerse;
- no permita el uso de la máquina a alguien que no haya leído y entendido completamente el presente manual;
- no utilice vestimenta demasiado holgada o con mangas abiertas;
- no permita que ninguna persona, además del operario, se acerque mientras la máquina

- se encuentra funcionando;
- no extraiga, cubra o modifique las placas informativas situadas en el cuerpo de la máquina y, si estuvieran dañadas, cámbielas sin demorarse;
- no extraiga las protecciones, ni modifique o desactive ningún dispositivo de protección mecánica;
- corte únicamente i productos admitidos, no realice pruebas con productos no admitidos;
- mantenga la zona de apoyo del producto loncheado, la zona de trabajo alrededor de la máquina y el pavimento donde se sitúa el operador siempre limpios y secos;
- no utilice la máquina como superficie de apoyo ni apoye objetos no relacionados con las operaciones normales de corte;
- no use la cortadora si, debido al desgaste normal, la distancia entre el filo de la cuchilla y el aro protector de cuchilla ha superado los 6 mm, en ese caso póngase en contacto con el fabricante o con uno de los centros de Servicio Autorizados para cambiar la cuchilla;
- detenga de inmediato la máquina y solicite la intervención de personal de asistencia autorizado en caso de funcionamiento anómalo, sospecha de roturas, movimientos incorrectos, ruidos insólitos, etc.;
- utilice siempre guantes del tipo resistente al corte y al desgarro para las operaciones de limpieza y de mantenimiento;
- coloque y retire el producto que desea loncheo sobre la superficie de apoyo del plato solo con el plato completamente retraído (lejos de la cuchilla) y el carro totalmente hacia el operador;
- deslice el plato durante las

operaciones de corte única y exclusivamente utilizando el volante;

- nunca toque con las manos el producto durante las operaciones de corte. Mantenga siempre las manos alejadas de la cuchilla;

- no se permite el uso de accesorios de corte no suministrados por el fabricante de la máquina.

El fabricante declina toda responsabilidad derivada de un uso inapropiado, modificaciones y/o reparaciones efectuadas por el usuario o por personal no autorizado, uso de piezas de recambio no originales o no específicas para el modelo de máquina.

Condiciones ambientales de uso:

- Temperatura de -5°C a +40°C
- Humedad máx. 95%

### NO CORTAR:

- productos alimentarios congelados;
- productos alimentarios ultracongelados;
- productos alimentarios con huesos o espinas (carnes y pescados);
- cualquier otro producto no destinado al uso alimentario.

### Riesgos residuales

El aro de protección alrededor de la cuchilla protege al operador del contacto accidental con la cuchilla; sin embargo, a fin de permitir las operaciones de afilado, la protección no elimina completamente el riesgo de corte.



**¡ATENCIÓN!** Durante las operaciones de limpieza y afilado de la cuchilla, mantenga las manos lo más

alejadas posible del área no protegida. Se recomienda utilizar guantes de protección.


## INSTALACIÓN

Si no se utiliza la columna de soporte (opcional), instale la máquina sobre una superficie bien nivelada, lisa, seca y capaz de soportar el peso de la máquina más del producto que se va a cortar. Compruebe que no hay impedimentos al movimiento del volante, a la carrera del carro y a la carga del producto a lonchar. La altura recomendada de la superficie de trabajo es de 80 cm aprox. Levante la máquina recordando introducir las patas de goma en los relativos alojamientos del basamento. En algunos modelos, los pies de apoyo delanteros se pueden desatornillar y colocar en la posición deseada según la profundidad de la superficie de trabajo.

Para evitar daños, durante el transporte algunos modelos se embalan con el volante por separado, no montado. Si el volante de la máquina recibida no está montado, siga las instrucciones:

- introduzca el volante en el eje comprobando que exista una correspondencia correcta entre los orificios del manguito volante-eje (Fig. 3-A)

- introduzca la clavija cónica en el manguito con el extremo cónico (diámetro inferior) hacia el manguito (Fig. 3-B)

 **¡ATENCIÓN!** Si la clavija está colocada correctamente, se introducirá casi sin forzarla.

- golpee la clavija para introducirla correctamente.

## OPERACIÓN

- Compruebe que la cuchilla esté adecuadamente protegida por el paracuchilla: mediante la palanca de bloqueo de la protección de la cuchilla, si estuviera presente (Fig. 4); verificando que el selector de regulación de grosor esté en la posición de seguridad (posición "0") (13);

- si el selector está doblado hacia el volante, levántelo a la posición de trabajo en posición perpendicular respecto al volante;

- accionando el volante (7), lleve el carro (5) totalmente hacia adelante (hacia el operador);

- lleve hacia atrás (lejos de la cuchilla) el plato de alimentos (4) usando el sistema de avance del plato (12);


- ponga el producto a lonchar sobre el plato de alimentos;

- agarre la manija para que el sujetador de alimentos se deslice verticalmente y presiónela sobre el producto;

- agarre la manija del brazo del sujetador de alimentos y empujelo con fuerza sobre el producto para bloquearlo;


- prepare el grosor de loncha deseado girando el selector al mismo tiempo y seleccionando el grosor;

- acerque el plato (hacia la cuchilla) interviniendo en el sistema de avance rápido del plato (11) o en el sistema de avance (12);

 **¡ATENCIÓN!** Deje un espacio de 0,5 a 1 cm entre la cuchilla y el producto.


- Extraiga la cuchilla de su protección, según el modelo: a) tire de la palanca de bloqueo, si la hubiera, hacia el operador y gírela hacia la izquierda; b) afloje el tomo de bloqueo del

paracuchilla, tire del mismo hacia el operador, vuelva a enroscar el pomo para bloquear el paracuchilla en su posición de reposo (cuchilla no cubierta);

 **ATENCIÓN ¡Cuchilla afilada, peligro de corte!**

Cuando la cuchilla no está cubierta por la protección, preste la máxima atención a mantener las manos lo más lejos posible del área no protegida.


- Accione el volante haciéndolo girar en sentido horario;

 **ATENCIÓN ¡Riesgo de daño!** No gire el volante del carro en sentido contrario, la rotación inversa del volante podría dañar seriamente la máquina.

- durante la carrera de retorno del carro (hacia el operador) se acciona el dispositivo mecánico que hace avanzar, en sentido transversal, la superficie de apoyo del plato hacia la cuchilla;

- cuando el plato de alimentos llega al límite de avance hacia la cuchilla, deténgase y levante el sujetador de alimentos. Utilizando el sistema de avance del plato o el de avance rápido, aleje el plato de la cuchilla. Reposicione el producto, bloquéelo de nuevo con el sujetador de alimentos y retome el loncheado;

- descargue el producto realizando las operaciones en sentido inverso

 **ATENCIÓN ¡Peligro de corte!** Tras la operación de corte, gire la palanca en sentido contrario: el anillo de protección se sobrepone a la cuchilla eliminando la condición de peligro.

## LIMPIEZA

La máquina debe ser limpiada

cuando se termina de usar, y siempre antes de usarse después de largos periodos de inactividad. Utilice guantes de protección resistentes al corte y al desgarro y realice todas las operaciones con sumo cuidado.

Productos de limpieza:

use únicamente agua con un paño suave, esponjoso y en su caso un cepillo de nailon semirrígido para las zonas del plato y del sujetador de alimentos. No use agua o vapor a presión ni métodos similares.

## DESMONTAJE


- Compruebe que la protección cubra adecuadamente la cuchilla (9)

- Desatornille a mano la tuerca de bloqueo del desviador de lonchas y extraígalo.

- Retire la cubeta

- Retire la bandeja de alimentos girando la palanca de bloqueo, hacia la izquierda, solo levante la bandeja y extraígalas.

- Extraiga la bandeja de recolección. Si la bandeja estuviera bloqueada mediante dos tornillos laterales, aflójelos antes de retirar la bandeja.

 **¡ATENCIÓN!** Para algunos modelos, empuje el plato de alimentos hacia adelante antes de levantarla junto al sujetador de alimentos.


## LIMPIEZA

- Cuchilla: presione con un paño húmedo la superficie de la cuchilla, moviéndolo lentamente desde el centro hacia afuera, como en la figura en el lado cubrecuchilla y en el lado opuesto. Seque la zona, con el mismo procedimiento, utilizando un paño seco;

 **¡ADVERTENCIA!** No active la cortadora de

fiambreres mientras se limpia la cuchilla.

- aro de protección: use un cepillo de nylon semirrígido para la zona entre el aro y la cuchilla;

 **¡ATENCIÓN!** **¡Cuchilla afilada, peligro de corte!**

Cuando la cuchilla no está cubierta por la protección, preste la máxima atención a mantener las manos lo más lejos posible del área no protegida.

- cuerpo de la máquina: límpielo con un paño húmedo o una esponja, enjuagándolo con agua. Séquelo con cuidado.

## MONTAJE


- Compruebe que la protección cubra adecuadamente la cuchilla (9);

- coloque de nuevo la cubeta en su posición;

- cierre el paralonchas;

- utilizando la manija del volante, gire el volante (7) para llevar completamente hacia adelante (hacia el operador) el plato (4);

- con un movimiento vertical de arriba a bajo, coloque de nuevo el plato en su posición inicial.

 **ATENCIÓN** Para algunos modelos, tras haber posicionado el plato, empújela para fijarla al soporte del plato. Si estuviera presente, cierre la palanca o apriete el selector en la bandeja de alimentos.

## MANTENIMIENTO

### Afilado de la cuchilla

La frecuencia y la duración del afilado dependen del uso que se haga.

 **ATENCIÓN** **¡Cuchilla afilada, peligro de corte!**

Cuando la cuchilla no está cubierta por la protección, preste

la máxima atención a mantener las manos lo más lejos posible del área no protegida.

Para afilar la cuchilla, siga las instrucciones dependiendo del modelo indicado:

### VOLANO 12 RED (Fig. 6)

- Limpie la cuchilla eliminando los residuos de grasa

- Compruebe que la protección cubra adecuadamente la cuchilla

- Aleje la bandeja de alimentos de la cuchilla


- Eleve el afilador y gírelo 180°.

- Baje con cuidado el afilador, la cuchilla se centrará automáticamente entre los dos muelles.

- Pulse el botón (B) durante 10-15 segundos aproximadamente y al mismo tiempo gire el volante. Suelte el botón (B), pulse el botón (C) durante 2-3 segundos y suéltelo.

- Interrumpa la rotación del volante

- Solo cuando la cuchilla está parada, reposicione el afilador en su posición original y apriete el pomo.

 **ATENCIÓN** **¡Riesgo de daño!** No prolongue excesivamente (no más de 2-3 segundos) la operación de rebabado para evitar dañar la cuchilla.

### Lubricación (Fig. 7)

- Vierta unas gotas de aceite en la barra (1) y en la junta de la perilla de regulación de grosor de la loncha (2);

- vierta unas gotas de aceite en los agujeros (3 y 4);

- vierta unas gotas de aceite en la junta entre volante y cuerpo del afilador (5);

- accionar brevemente el volante.


Para lubricar use solo aceites sin ácidos (recomendamos aceite de vaselina). No use aceites vegetales.

## ASISTENCIA

---

El embalaje de suministro no contiene piezas de repuesto. Las reparaciones y cambios (cuchilla, correa, componentes eléctricos, piezas estructurales, etc.) han de ser llevados a cabo exclusivamente por personal autorizado por el fabricante.

Si fuese necesaria una reparación, se recomienda devolver la máquina al fabricante o a un Centro de Servicios Autorizado. Para ampliar la información sobre los centros de servicios, dirijase a:  
[service@berkelinternational.com](mailto:service@berkelinternational.com).

 **¡ATENCIÓN! Es obligatorio sustituir la cuchilla cuando la distancia entre el filo de la cuchilla y el borde interno de la protección supera los 6 mm.**

## GARANTÍA Y RESPONSABILIDAD

---

El fabricante suministra máquinas con una garantía de 24 meses de duración, a partir de la fecha de compra. La garantía solo cubre los defectos detectados haciendo un uso apropiado y según las condiciones de uso previstas por el manual. La garantía no cubre defectos debidos al transporte, incompetencia o negligencia del comprador, instalación o posicionamiento impropio, daños por desgaste, voltaje superior al 10 % del valor nominal. Además, la garantía no cubre componentes intrínsecamente

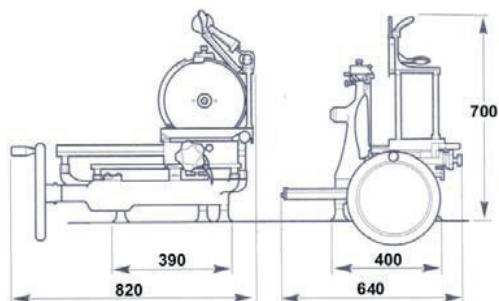
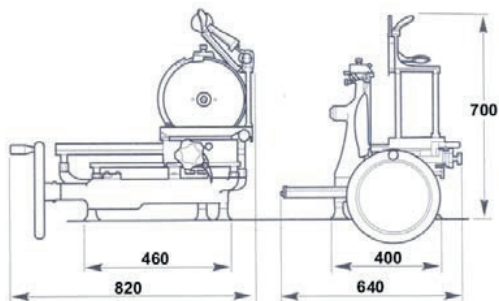
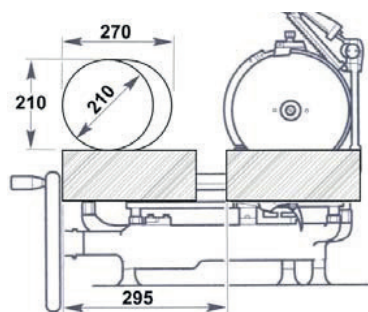
sujetos a desgaste, como la cuchilla y los muelles del afilador, excepto en caso de evidente defecto de fabricación.

El fabricante declina toda responsabilidad directa e indirecta derivada de:

- incumplimiento de las instrucciones del manual;
- uso no conforme a la normativa dominante en el país de instalación;
- modificaciones y/o reparaciones en la máquina no autorizadas;
- uso de accesorios y piezas de recambio no originales;
- eventos excepcionales.

La transferencia de propiedad de la máquina implica la exención inmediata de cualquier responsabilidad por parte del fabricante. La placa de identificación situada en la base de la máquina indica el fabricante, la máquina y la información técnica.

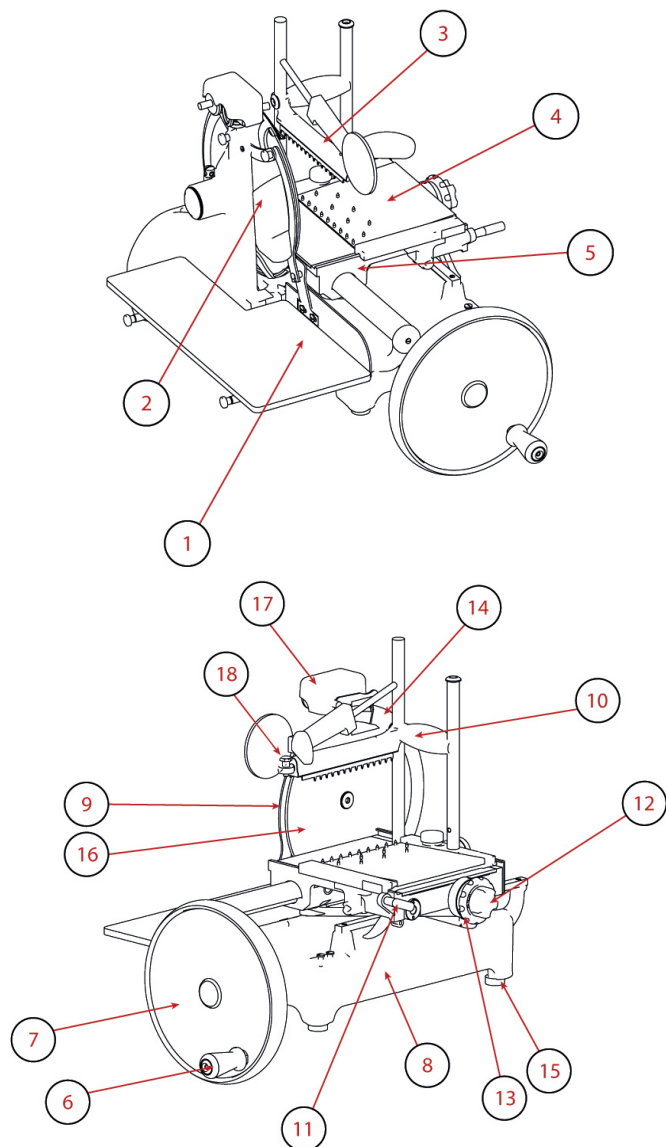
VOLANO 12 RED



ESPECIFICACIONES		
Capacidad (circular)	210 mm	
Capacidad (rectangular)	270x210 mm	
Capacidad máxima de corte	1,5 mm	
Diámetro cuchilla	300 mm	
Peso	44 Kg	

## NAUDOTOJO VADOVAS: RANKINĖ SMAGRATINĖ PJAUSTYKLĖ

MODELIAI:  
VOLANO 12 RED



## ČÁSTI STROJE

1. Surinkimo plokštė
2. Griežinėlio kreiptuvas
3. Produkto spaustuvas
4. Produkto laikymo plokštė
5. Vežimėlis
6. Smagračio manevravimo rankenėlė
7. Smagratis
8. Pagrindas
9. Geležtės apsauga
10. Produkto laikiklio vertikalus slinkimas
11. Greito viršutinės plokštės judėjimo svirtis
12. Viršutinės plokštės stūmimo smagratis
13. Griežinėlio storio reguliavimas
14. Peilio apsauga
15. Atraminė kojelė
16. Geležtė
17. Galąstuvai

Fig. 1

## APIBŪDINIMAS

Rankinė smagratinė pjaustyklė, turinti apvalius ašmenis ir tinkama pjaustyti tik tiems maisto produktams, kurių tipai ir dydis nurodyti šiame dokumente. Pagrindinės prietaiso dalys pavaizduotos bendroje diagramoje (Pav. 1).

## SAUGUMAS

Šiame dokumente aprašyti prietaisai atitinka naujausius Europos Sąjungos higienos ir saugumo standartus.

Atkreipkite dėmesį į žemiau išvardytas pagrindines atsargumo priemones:

- prieš naudodamiesi prietaisu perskaitykite visas instrukcijas;
- šis gaminytis neskirtas vaikams;
- prietaisą naudokite tik tinkamai apmokyti ir būdami geros fizinės ir psichinės būklės;
- šį prietaisą naudokite tik taip, kaip nurodyta šiame dokumente;
- naudokite tik struktūriškai, mechaniškai ir sistemaiškai nepažeistą prietaisą;
- pjaustyklę montuokite laikydamiesi nurodymų, pateiktų skyrelyje „Montavimas“;
- prietaisą montuokite tik vietoje, nepasiekiamose personalui, neturinčiam teisės juo naudotis, ir ypač nepilnamečiams;
- naudodamiesi prietaisu būkite susikaupę, venkite trukdžių;
- neleiskite prietaisu naudotis tiems, kurie neperskaitė ir iki galo nesuprato šiame vadove pateikto turinio;
- nevilkiškite dukšlių drabužių arba drabužių plačiomis rankovėmis;
- prietaisui veikiant neleiskite prie jo artintis niekam kitam, išskyrus naudotoją;
- nepašalinkite, neuždenkite ir

nepašalinkite žymų ant prietaiso korpuso, o pažeistas nedelsdami pakeiskite;

- nepašalinkite permatomų apsaugų, nekeiskite ir neignoruokite mechaninių ir elektrinių dalių apsaugų;

- pjaustykite tik leidžiamus produktus, nemėginkite pjaustyti draudžiamų;

- produktų laikiklis, zona aplink prietaisą ir naudotojo stovėjimo vieta visada privalo būti švarūs ir sausi;

- nenaudokite pjaustyklės kaip laikiklio, nedėkite ant jos daiktų ar kito maisto, išskyrus tą, kuris skirtas pjaustyti;

- nenaudokite pjaustyklės, kai dėl įprasto nusidėvėjimo atstumas tarp ašmenų krašto ir apsauginio žiedo viršija 6 mm. Tokiu atveju susisiekite su gamintoju arba įgaliotu aptarnavimo centru, kad pakeistų ašmenis;

- pasirodžius defektui, sutikus veikimui, įtarus gedimą, netinkamai judant arba sklindant keistiems garsams nedelsdami išjunkite prietaisą;

- valydami ir atlikdami priežiūros darbus dėvėkite apsaugines pirštines;

- produktus ant stumdomo padėklo dėkite ir nuimkite tik iki galo atitraukę stovą ir griežinėlių storumo reguliavimo rankenėlę nustatę ties saugia pozicija;

- mėsos padėklą pjaustymo metu stumdykite naudodami tik smagratį;

- pjaustydami niekada rankomis nelieskite maisto produkto. Rankas visada laikykite už apsauginio prietaiso, toli nuo ašmenų;

- draudžiama naudoti priedus, kurių nepatvirtino gamintojas. Gamintojas neprisiima atsakomybės dėl netinkamo naudojimo, keitimo ir/ arba taisymo, kurį atlieka pats naudotojas

arba įgaliotųjų neturintys darbuotojai, taip pat dėl naudojimo atsarginių dalių, kurios nėra originalios arba nėra pritaikytos pjaustyklės modeliui.

Naudojimo sąlygos:


- Temperatūra nuo -5° C iki +40° C
- Maksimali drėgmė 95 %

**DRAUDŽIAMA PJAUSTYTI:**

- šaldytus maisto gaminius;
- maisto gaminius su kaulais;
- daržoves;
- kitus produktus, kurie neskirti maistui.

## Galimos grėsmės

Apsauginis žiedas aplink ašmenis saugo naudotoją nuo netyčinio kontakto su ašmenimis, bet jis pagamintas taip, kad ašmenis būtų galima pagaląsti, todėl ne iki galo apsaugo nuo įpjovimų.

 **DĖMESIO: valydami arba galąsdami ašmenis būkite atsargūs ir rankas laikykite kuo toliau nuo nepapsaugotos zonos. Rekomenduojama dėvėti apsaugines pirštines.**

## PRIETAISO MONTAVIMAS


Prietaisą montuokite ant plokščio, lygaus ir sauso paviršiaus, kuris atlaikytų pačios pjaustyklės ir pjaustomų produktų svorį. Rekomenduojamas darbinės plokštumos aukštis – apie 80 cm. Atsargiai iškelkite pjaustyklę iš dėžės ir įstatykite visas kojeles į tam skirtas vietas pagrindo. Kai kurių modelių priekines atramines kojeles galima išsukti ir nustatyti į reikiamą padėtinį atitinkamai pagal darbinio stalo gylį.

Siekiant įrenginiui nepakenkti transportavimo metu, kai kurių modelių smagratys yra nesumontuojamas ir supakuojamas

atskirai. Jei gauto įrenginio smagračis nesumontuotas, sekite šiuos nurodymus:

- uždėkite smagračį ant veleno, stengdamiesi, kad smagračio-veleno skylės sutaptų su movos skylėmis (3-A pav.)

- įkiškite į movą kūgio formos kištuką, smalesnį (mažesnio skersmens) galą nukreipę į movą (3-B pav.)

 **DĖMESIO!** Jei kištukas nukreiptas teisingai, jis įsives be didesnių pastangų - kad pilnai įlįstų, jį pakalkite.

## NAUDOJIMAS

- Patikrinkite, ar apsauga peilį tinkamai apsaugo: naudodami peilio apsaugos fiksavimo svirtį, jei yra (4 pav.); patikrindami, ar storio reguliavimo rankenėlė yra saugioje padėtyje (padėtis „0“) (13);

- Jei rankenėlė yra palenкта smagračio kryptimi, ją pakalkite į darbinę padėtį, statmenai smagračiui;

- Naudodami smagračio rankeną pasukite smagračį (7), kad stovas iki galo pasislinktų į priekį (naudotojo link);

- Naudodami arba mėsos padėklo stūmimo mechanizmą (12) atitraukite mėsos padėklą (4) (tolyn nuo ašmenų);

- padėkite produktą, kurį pjaustysite ant produkto laikymo lėkštės;


- suimkite vertikalaus produkto spaustuvo slinkties rankenėlę ir juo prispauskite produktą;

- suimkite produkto spaustuvo rankenos rankenėlę ir spaustuvaž stipriai spustelėkite, kad užfiksuotumėte produktą;


- nustatykite pageidaujamą griežinėlio storį, tuo pačiu metu pasukdami rankenėlę ir pasirinckite storį;

- stumkite mėsos padėklą su


uždėtu produktu (ašmenų pusėje) naudodami greitą mėsos padėklo stūmimo prietaisą (11) arba mėsos padėklo stūmimo mechanizmą (12);

 **DĖMESIO!** Tarp peilio ir produkto palikite 0,5 - 1 cm tarpą.

- Atitinkamai pagal modelį, atidėkite peilio apsaugą: a) Patraukite į save fiksavimo svirtį, jei yra, ir ją pasukite prieš laikrodžio rodyklę; b) atsukite peilio apsaugos fiksavimo rankenėlę, truktelėkite į save, vėl užsukite rankenėlę, kad užfiksuotumėte peilio apsaugą stovėjimo padėtyje (peilis atviras);

 **ATSARGIAI, peilis aštrus, galite įsipjauti!** Kai apsauga peilio nedengia, būkite itin atsargūs ir laikykite rankas kiek įmanoma atokiau nuo neapsaugotos srities.


- Smagračį galite paleisti, jį pasukdami laikrodžio rodyklės kryptimi;

 **DĖMESIO:** pavojus sugadinti prietaisą! Niekada nesukite smagračio prieš laikrodžio rodyklę – tai gali smarkiai pakenkti prietaisui.

- Stovui grįžtant į vietą (naudotojo link) mėsos padėklas automatiškai pasislinks ašmenų link;

- Kai mėsos padėklas nebegalės judėti ašmenų link, nustokite pjaustę ir pakalkite viršutinį gnybtą. Greitu mėsos padėklo stūmimo prietaisu arba mėsos padėklo stūmimo mechanizmu atitraukite mėsą nuo ašmenų. Padėkite produktą arčiau krašto, vėl pritvirtinkite viršutinį gnybtą ir toliau pjaustykite;

- Išimkite produktą, veikdami atvirkštine seka.

 **ATSARGIAI, galite įsipjauti!** Baigę pjaustyti, pasukite svirtį priešinga kryptimi: apsauginis žiedas užaina ant peilio ir šis nekelia pavojaus

## VALYMAS

Baigus naudoti įrenginį, jį reikia kruopščiai nuvalyti. Būtinai jį išvalykite ir po ilgo nenaudojimo laikotarpio. Dėvėkite įpjomams atsparias pirštines ir visus veiksmus atlikite labai atsargiai.

Priemonės valyti: naudokite tik vandenį ir mikroorganizmų skaidomą švelnų valiklį, taip pat minkštą skudurėlį ir puskietį nailoninį šepetį aštrioms padėklo ir produktų laikiklio vietoms valyti. Prietaisui plauti nenaudokite vandens arba garų srovių arba panašių metodų.

## IŠARDYMAS


- Patikrinkite, ar apsauga tinkamai dengia peilį (9)

- Rankomis iš griežinėlio kreiptuvo išsukite fiksuojantį varžtą ir jį nuimkite

- Išimkite dubenėlį


- Išimkite produkto laikymo lėkštę, pasukdami fiksavimo svirtį prieš laikrodžio rodyklę, pakalkite ir išimkite lėkštę.

- Išsukite surinkimo lėkštę. Jei lėkštė yra įtvirtinta dviem šoniniais kaiščiais, prieš išsukdami lėkštę, juos atlaisvinkite.

 **DĖMESIO!** Kai kuriuose modeliuose mėsos padėklą prieš iškeliant reikia pastumti į priekį.

## VALYMAS

- Ašmenys: prispauskite prie ašmenų drėgną skudurėlį ir pamažu braukite juo nuo centro išorės link iš abiejų pusių. Lygiai taip pat nusauskite juos naudodami sausą skudurėlį;

 **DĖMESIO!** Valydami ašmenis niekada nejudinkite smagračio.

- apsauginis žiedas: švelniu še-

petėliu išvalykite vietą tarp ašmenų ir apsauginio žiedo;

**⚠️ ATSARGIAI, peilis aštrus, galite įsijauti!** Kai peilio apsauga nedengia, būkite itin atsargūs ir laikykite rankas kiek įmanoma atokiau nuo nepasaugotos srities.

- Prietaiso korpusas: plaukite drėgnu skudurėliu arba kempine. Kruopščiai nusauskinkite.

#### SURINKIMAS

- Įsitinkinkite, kad ašmenų apsauga visiškai dengia ašmenis (9);

- Įstatykite padėklą atliekoms į jam skirtą vietą;

- Nuleiskite kreipiklį;

- Sukdami smagračio rankeną pasukite smagratį (7), kad stumdomas mėsos stalas (4) atsidurtų pačiame priekyje (naudotojo link);

- Spausdami vertikalčiai iš viršaus į apačią įstatykite mėsos padėklą į vietą.

**⚠️ DĖMESIO:** pavojus susižeisti dėl aštrių ašmenų!

Kai kuriuose modeliuose įdėtą mėsos padėklą reikia stumti į priekį, kad jis užsifikuotų stove. Jei yra, užfiksukite svirtimi arba ant produkto laikymo lėkštės užveržkite rankenėlę.

#### PRIEŽIŪRA

##### Ašmenų galandimas

Galandimo dažnumas ir trukmė priklauso nuo įrangos naudojimo.

**⚠️ DĖMESIO:** pavojus susižeisti dėl aštrių ašmenų!

Kai ašmenys neuždengti, rankas būtinai laikykite kuo toliau nuo neuždengtos vietos.

Galąsdami laikykitės kiekvienam modeliui skirtų instrukcijų:

VOLANO 12 RED (6 pav.)

- Nuo peilio nuvalykite riebalų likučius

- Patikrinkite, ar apsauga tinkamai dengia peilį

- Atitraukite produkto laikymo lėkštę nuo peilio

- Pakelkite galąstuvą ir jį pasukite 180°

- Atsargiai galąstuvą nuleiskite, peilis automatiškai atsistosis viduryje tarp dviejų spyruoklių

- 10-15 sekundžių nuspauskite mygtuką (B) ir tuo pačiu metu sukite smagratį. Atleiskite mygtuką (B), nuspauskite 2-3 sekundėms mygtuką (C), tada jį atleiskite.

- Sustabdykite besisukantį smagratį

- Tik peiliui stovint, nustatykite galąstuvą į jo pradinę padėtį ir užsukite rankenėlę.

**⚠️ DĖMESIO:** pavojus sugadinti prietaisą! Šlifavimo procesas turi trukti ne ilgiau kaip 2–3 sekundes, kad nebūtų pažeisti ašmenys.

Sutepimas (7 pav.)

- Ant sklendės (1) ir ties storumą reguliuojančios rankenėlės (2) sandūra užlašinkite kelis alyvos lašus;

- įlašinkite kelis alyvos lašus į angas (3 ir 4);

- užlašinkite kelis alyvos lašus ant smagračio ten, kur jis susijungia su velenu (5);

- trumpai pasukite smagratį. Norėdami sutepti naudokite tik berūgštę alyvą (rekomenduojame Autol Top 2000, panašius tepalus arba vazeliną). Nenaudokite augalinio aliejaus.

#### APTARNAVIMAS

Pjaustyklėje nėra detalių, kurias galėtų pakeisti pats naudotojas. Iškilus problemoms susisieki-

te su kvalifikuotais profesionalais. Visus taisymo ir keitimo darbus (pvz., ašmenų keitimas, struktūrinių dalių taisymas, subbazinių detalių taisymas ir/ arba pakeitimas ir panašiai) turi atlikti tik gamintojo įgalioti darbuotojai. Prireikus pjaustyklę remontuoti galite ją grąžinti gamintojui arba vienam įgaliotų aptarnavimo centrų. Norėdami gauti daugiau informacijos susisieki- te su mumis el. paštu: [service@berkelinternational.com](mailto:service@berkelinternational.com).

**⚠️ DĖMESIO: pavojus susižeisti dėl aštrių ašmenų!**

**Pakeisti ašmenis privaloma, jei atstumas tarp ašmenų krašto ir vidinio apsaugos krašto didesnis nei 6 mm.**

#### GARANTIJA IR ATSAKOMYBĖ

Gamintojas pjaustyklėms siūlo ribotą 24 mėnesių garantiją nuo įsigijimo dienos. Garantija taikoma tik tiems defektams, kurie atsiranda tinkamai laikant ir naudojant prietaisą. Garantija netaikoma defektams, atsiradusiems prietaisą gabenant, dėl pirkėjo nekompetencijos arba aplaidumo, dėl netinkamo montavimo arba įžeminimo, dėl neleistino taisymo, natūralaus nusidėvėjimo ir įtampos svyravimų, didesnių nei 10% nominalios vertės. Be to, garantija netaikoma nusidėvėti linkusioms dalims, pvz., ašmenims ir galąstuvams, išskyrus tuos atvejus, kai akivaizdūs gamybos defektai.

Gamintojas atsisako bet kokios tiesioginės ir netiesioginės atsakomybės, kylančios iš:

- šiame dokumente pateiktų nurodymų nesilaikymo;

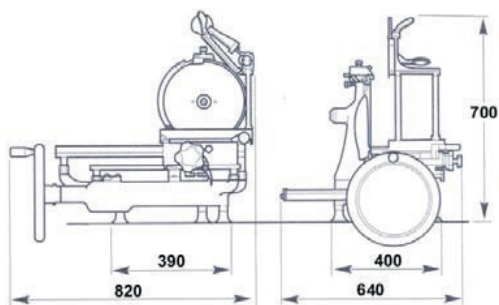
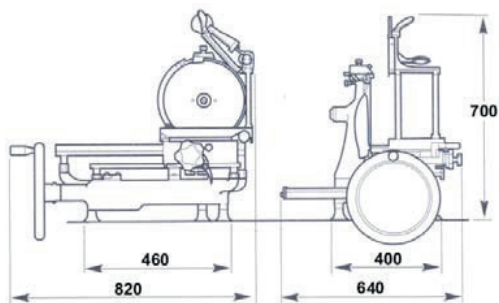
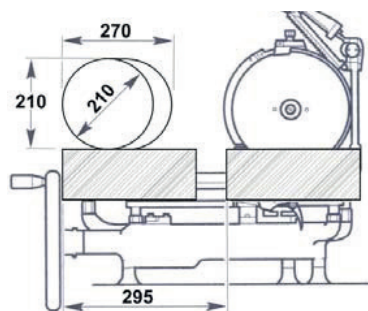
- naudojimo, kuris neatitinka naudojimo valstybėje galiojančių reglamentų;

- neleistino prietaiso modifikavimo ir/ arba taisymo;
- neoriginalių priedų ir atsarginių dalių naudojimo;
- išimtinių įvykių.

Prietaiso nuosavybės perdavimas automatiškai panaikina gamintojo atsakomybę dėl pjaus-tyklės.

Identifikacinėje plokštelėje nurodytas gamintojas, prietaisas, techninė informacija.

VOLANO 12 RED

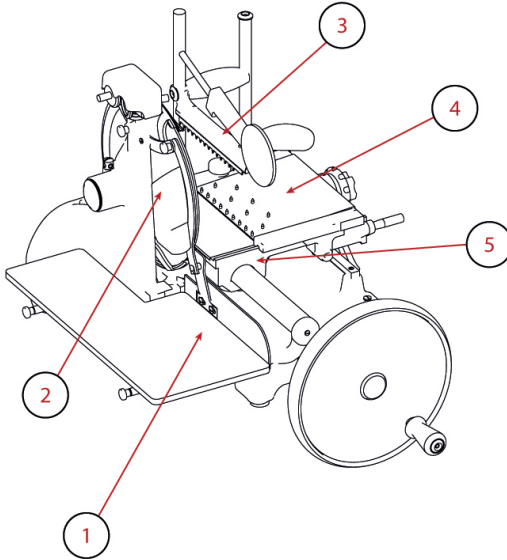


**SPECIFIKACIJOS**

Pjovimo apvalia forma pajėgumas	210 mm	215 mm
Pjovimo stačiakampe forma pajėgumas	270x210 mm	280x215 mm
Maksimalus griežinėlio storis	1,5 mm	1,5 mm
Peilio skersmuo	300 mm	319 mm
Svoris	44 Kg	53 kg

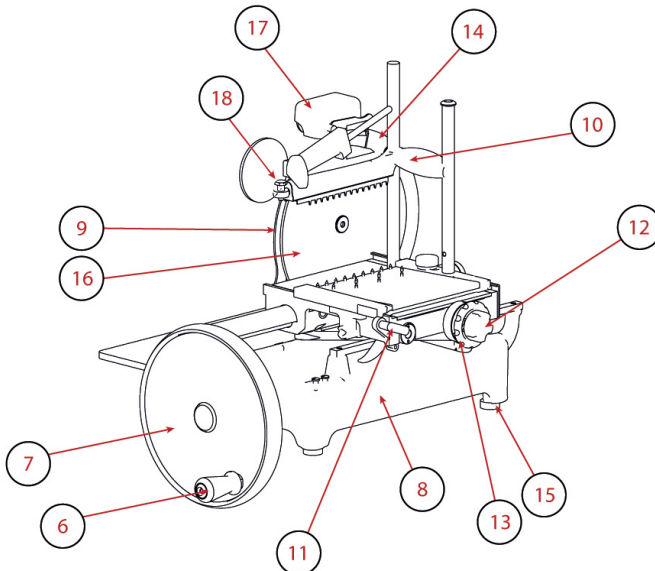
## HANDLEIDING: HANDSNIJMACHINE

MODELLEN:  
VOLANO 12 RED



## ONDERDELEN VAN DE MACHINE

1. Opvangtafel
2. Kroon
3. Vleesklem
4. Vleestafel
5. Wagen
6. Greep volano
7. Volano
8. Onderstel
9. Mesbescherming
10. Verticale verplaatsing vleesklem
11. Hendel snelverplaatsingssysteem snijtafel
12. Handwiel verplaatsing vooruit vleestafel
13. Dikteregelaar
14. Mesplaat
15. Steunpoot
16. Mes
17. Slijpparaat



Afb. 1

## BESCHRIJVING

Professionele handsnijmachines met rond mes, ontworpen voor het snijden van levensmiddelen van het soort en met de afmetingen beschreven in deze handleiding. Afbeelding 1 toont de hoofdonderdelen van de machine.

## VEILIGHEID

De machines beschreven in deze handleiding stemmen overeen met de Europese hygiëne- en veiligheidsnormen van de meest recente regelgevingen.

Let voor uw veiligheid goed op de volgende aanwijzingen:

- lees aandachtig de aanwijzingen door voordat u de machine gebruikt;
- het product mag niet worden gebruikt door kinderen;
- gebruik de machine uitsluitend als u voldoende ingelicht bent en u in perfecte lichamelijke en geestelijke toestand verkeert;
- gebruik de machine op geen enkele andere wijze dan degenen die in deze handleiding is beschreven;
- installeer de machine in overeenstemming met de aanwijzingen beschreven in de paragraaf 'installatie';
- installeer de machine op een plaats buiten bereik van mensen en met name kinderen die niet in het gebruik betrokken zijn;
- wees geconcentreerd tijdens het gebruik van de machine, laat u niet afleiden;
- laat de machine niet gebruiken door mensen die deze handleiding niet hebben gelezen en begrepen;
- geen loshangende kleding

of kleding met wijde mouwen dragen;

- sta nooit toe dat iemand anders de machine tijdens het snijden van het product benadert;
- de plaatjes van de machine niet verwijderen, afdekken of wijzigen en ze onmiddellijk vervangen wanneer ze beschadigd raken;
- de beveiligingen niet verwijderen of wijzigen en de mechanische beveiligingen niet omzeilen;
- snij uitsluitend de toegestane producten, probeer geen verboden producten te snijden;
- houd het steunvlak van het gesneden product, de ruimte rondom de machine en de vloer waar de gebruiker op staat altijd schoon en droog;
- de machine niet gebruiken als een steunvlak en er geen voorwerpen op aanbrengen die niet tijdens de normale snijwerkzaamheden nodig zijn;
- de snijmachine niet gebruiken als de afstand tussen de snede van het mes en de mesbescherming door normale slijtage groter dan 6 mm is geworden. Neem in dit geval contact op met de fabrikant of een van de erkende servicecentra om het mes te laten vervangen;
- leg de machine onmiddellijk stil en vraag de ingreep van erkend personeel aan in het geval van een defect, een vreemde werking, een vermeende breuk, verkeerde bewegingen of vreemde geluiden;
- gebruik voor de schoonmaak en het onderhoud altijd handschoenen die tegen sneden en scheuren bestendig zijn;
- breng het te snijden product op de snijtafel aan en verwijder het ervan wanneer de vleestaaf helemaal is ingetrokken (bij

het mes vandaan) en de wagen helemaal naar achteren, in de richting van de gebruiker, is verplaatst;

- laat de vleestaaf tijdens het snijden uitsluitend verplaatsen met behulp van het wiel;
  - tijdens het snijden het product niet met de handen aanraken. Houd de handen altijd buiten bereik van het mes;
  - het is niet toegestaan om snijaccessoires te gebruiken die niet door de fabrikant van de machine zijn geleverd.
- De fabrikant acht zich niet aansprakelijk voor een oneigenlijk gebruik, wijzigingen en/of reparaties aan de machine door de gebruiker of onbevoegd personeel, of het gebruik van niet-originele onderdelen of onderdelen die niet voor het machinemodel geschikt zijn.

Gebruiksomstandigheden:

- Temperatuur -5°C tot +40°C
- Max. vochtigheid 95%

### NIET SNIJDEN:

- bevroren levensmiddelen;
- diepgevroren levensmiddelen;
- levensmiddelen met bot (vlees en vis);
- elk ander product dat geen levensmiddel is.

### Restrisico's

De veiligheidsring rondom het mes beschermt de gebruiker tegen de ongewenste aanraking met het mes. Om het slijpen van het mes mogelijk te maken, kan de beveiliging echter niet volledig het gevaar voor snijwonden elimineren.



**OPGELET! Zorg ervoor dat u de handen zo ver mogelijk bij de onbeschermd zone verwijderd houdt tijdens het schoonmaken en slijpen**

van het mes. Het gebruik van beschermende handschoenen wordt aanbevolen.

## INSTALLATIE


Installeer de machine op een droge, gladde en vlakke ondergrond die het gewicht van de machine en het te snijden product kan dragen als de (optionele) steunpilaar niet wordt gebruikt. Verifieer of het wiel ongehinderd kan draaien, de vleestafel ongehinderd kan bewegen en of het te snijden product zonder problemen op de vleestafel kan worden geplaatst. De aanbevolen hoogte van de werktafel is ongeveer 80 cm. Til de machine voorzichtig op en breng de rubberen voeten op hun plaats in het onderstel aan;

- verplaats de wagen van de machine helemaal naar de gebruiker. Bij een aantal modellen kunnen de voorste steunpootjes worden losgedraaid en in de gewenste positie worden gezet, afhankelijk van de diepte van de werktafel.

- Om schade tijdens het transport te voorkomen worden bepaalde modellen met gedomonteerd wiel verpakt. Volg de onderstaande aanwijzingen als het wiel van de machine niet gemonteerd is:

- breng het wiel aan op de as en zorg ervoor dat het goed samenvalt met de openingen mof wiel-as (Afb. 3-A)

- breng in de mof de conische spie met het tapse uiteinde aan (kleinere diameter), gericht naar de mof zelf (Afb. 3-B)

 **OPGELET!** Wanneer de spie op de juiste wijze is geplaatst wordt deze bijna volledig zonder forceren aan-

gebracht.

- sla op de spie, om het volledig aan te brengen.

## GEBRUIK

- Controleer of het mes goed wordt beschermd tegen de mesbescherming:

- maak gebruik van de blokkeerhendel van de mesbescherming, indien aanwezig (Afb. 4)

- door te controleren of de knop van de dikteregelaar in de veilige stand is geplaatst (stand "0") (13);

- Als de hendel terug naar het wiel is gevouwen omhoog klappen naar de werkstand, loodrecht op het vlieg wiel;

- Bedien het wiel (7) en verplaats de wagen (5) helemaal vooruit (naar de gebruiker);

- verplaats de vleestafel (4) helemaal achteruit (bij het mes vandaan) met het snelle verplaatsingssysteem (12);


- plaats het te snijden product op de vleestafel;

- pak de greep voor verticaal schuiven van de vleesklem beet en druk het op het product;

- pak de handgreep van de arm van de vleesklem beet en druk het stevig op het product om het te blokkeren;


- stel de gewenste dikte in door tegelijkertijd aan de knop te draaien en selecteer de dikte;

- breng de vleestafel naar het mes met het snelle verplaatsingssysteem (11) of het verplaatsingssysteem (12);


 **OPGELET!** Laat een ruimte van 0,5 tot 1 cm over tussen het mes en het product.

- Maak het mes vrij uit de bescherming, afhankelijk van het model: a) Trek de blokkeringshendel in de richting van de

gebruiker, indien aanwezig, en laat het rechtsom draaien; b) Draai de blokkeerknop van de mesbescherming los, trek het in de richting van de gebruiker, draai de knop weer vast om de mesbescherming in de ruststand te vergrendelen (mes vrijgemaakt);

 **OPGELET Scherp mes, gevaar voor snijwonden!** Zorg ervoor dat u de handen zo ver mogelijk bij de onbeschermd zone verwijderd houdt wanneer het mes niet door de beveiliging wordt afgedekt.


- Laat het wiel rechtsom draaien;

 **OPGELET Gevaar voor schade!** Laat het wiel van de wagen niet in tegengestelde richting draaien omdat de machine daardoor ernstig beschadigd kan raken.

- tijdens de beweging achteruit van de wagen (naar de gebruiker) wordt het mechanische systeem geactiveerd dat de vleestafel in dwarsrichting naar het mes verplaatst;

- stop de beweging en haal de vleesklem omhoog als de vleestafel de limiet voor de verplaatsing naar het mes heeft bereikt. Verwijder de vleestafel bij het mes vandaan met het verplaatsingssysteem of snelle verplaatsingssysteem van de vleestafel. Breng het product weer aan, klem het weer met de vleesklem vast en hervat het snijden

- Ontlaad het product en voer de stappen in omgekeerde volgorde uit.

 **OPGELET gevaar voor snijwonden!** Draai aan het einde van de snijwerkzaamheden de hendel in de tegenovergestelde richting; de veiligheidsring overlapt het

mes en verwijdert de gevaarlijke situatie.

## REINIGING


---

De machines moeten aan het einde van hun gebruik schoon-gemaakt. De machines moeten ook vóór het gebruik schoon-gemaakt worden als ze een tijd lang niet zijn gebruikt. De machines moeten ook vóór het gebruik schoongemaakt worden als ze een tijd lang niet zijn gebruikt. Draag handschoenen die bestendig zijn tegen sneden en scheuren en let goed op tijdens de handelingen.

Schoonmaakmiddelen: gebruik uitsluitend water, een zachte sponsdoek en een half-zachte nylon borstel voor de zones van de vleestafel en de vleesklem. Maak de machine niet schoon met waterstralen of stoom of soortgelijke methoden.

## DEMONTAGE

- Controleer of de beveiliging het mes (9) goed afdekt
- Draai de borgschroef van de kroon handmatig los en verwijder deze.
- Verwijder het opvangbakje
- Verwijder de vleestafel, door de blokkeringshendel linksom te draaien, til de tafel op en verwijder deze.
- Haal de opvangtafel weg. Als de tafel wordt vergrendeld door twee zijbouten deze los draaien voordat de tafel wordt weggenomen..


 **OPGELET!** Bij bepaalde modellen moet u de vleestafel vooruit duwen voordat u de vleestafel samen met de vleesklem kunt verwijderen.

## REINIGING

- mes: druk een vochtige doek tegen het oppervlak van het mes en verplaats de doek aan de zijde van de mesplaat en aan de andere zijde langzaam vanuit het midden naar buiten, zie de afbeelding. Maak het mes op dezelfde wijze droog met een droge doek;

 **WAARSCHUWING!** Activeer de snijmachine niet terwijl u het mes schoonmaakt.


- veiligheidsring: maak de zone tussen het mes en de veiligheidsring schoon met een halfzacht nylon borsteltje;

 **OPGELET Scherp mes, gevaar voor snijwonden!** Zorg ervoor dat u de handen zo ver mogelijk bij de onbeschermd zone verwijderd houdt wanneer het mes niet door de beveiliging wordt afgedekt.

- machinebehuizing: maak de machinebehuizing schoon met een vochtige doek of een spons en spoel met water af. Maak zorgvuldig droog.

## HERMONTAGE

- Controleer of de beveiliging het mes (9) goed afdekt;
- breng het opvangbakje weer op diens plaats aan;
- sluit de kroon;
- laat het wiel (7) met de knop ervan draaien en verplaats de vleestafel (4) volledig vooruit (naar de gebruiker);
- plaats de vleestafel in de originele stand terug met een verticale beweging van boven naar beneden.

 **OPGELET:** bij bepaalde modellen moet u de vleestafel aanbrengen en vervolgens op de vleestafelsteun drukken. Sluit, wanneer nodig,


de hendel of draai de knop op de vleestafel vast.

## ONDERHOUD

---

### Mes slijpen

De regelmaat en duur van het slijpen hangen af van het gebruik.

 **OPGELET Scherp mes, gevaar voor snijwonden!** Zorg ervoor dat u de handen zo ver mogelijk bij de onbeschermd zone verwijderd houdt wanneer het mes niet door de beveiliging wordt afgedekt.

Volg, afhankelijk van het model, de aanwijzingen voor het slijpen van het mes:

### VOLANO 12 RED (Afb. 6)

- Reinig het mes en maak het vrij van resten vet
- Controleer of de beveiliging het mes goed afdekt
- Verwijder de vleestafel bij het mes vandaan
- Til het slijpparaat op en laat het 180° draaien
- Breng het slijpparaat voorzichtige omlaag; het mes wordt automatisch tussen de twee slijpstenen gecentreerd
- Druk de knop (B) 10-15 seconden lang in en laat tegelijkertijd het wiel draaien. Laat de knop (B) los. Druk de knop C 2-3 seconden lang in en laat de knop weer los.
- Onderbreek de rotatie van het wiel
- Plaats het slijpparaat weer in de originele stand terug en draai de knop weer vast als het mes tot stilstand is gekomen.

 **OPGELET: Gevaar voor schade!** Laat de handeling voor het verwijderen van

bramen niet te lang (niet langer dan 2-3 seconden) duren om te voorkomen dat het mes beschadigd raakt.


Smeren (Afb. 7)

- Breng een enkele druppel olie aan op de stang (1) en in de verbinding van de knop van de dikteregelaar (2);
  - Breng een aantal druppels olie aan in de gaten (3 en 4);
  - Breng een aantal druppels olie aan in de verbinding tussen het wiel en de behuizing van de snijmachine (5);
  - Laat het wiel even draaien.
- Gebruik voor het smeren uitsluitend niet-zure olies (we adviseren vaseline-olie). Geen plantaardige olies gebruiken.

## ASSISTENTIE

In de verpakking zijn geen vervangende onderdelen aangebracht. Reparaties en vervangen (zoals het vervangen of repareren van het mes, de riem, de elektrische componenten, onderdelen van de structuur, enz.) mogen uitsluitend worden verricht door personeel dat door de fabrikant is aangewezen.

Stuur de machine naar de fabrikant of een erkend servicecentrum als een reparatie nodig is. Wend u tot [service@berkelinternational.com](mailto:service@berkelinternational.com) voor informatie over de servicecentra.

 **OPGELET! Het mes moet worden vervangen wanneer de afstand tussen de snede van het mes en de binnenste rand van de bescherming groter dan 6 mm is.**

## GARANTIE EN AANSPRAKELIJKHEID

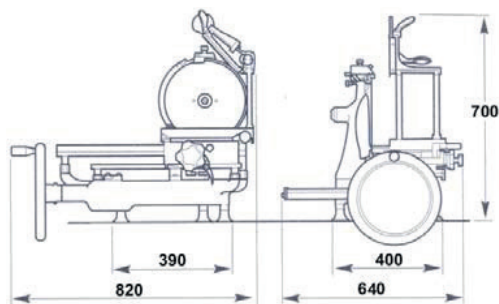
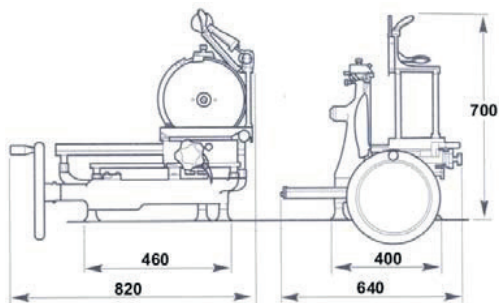
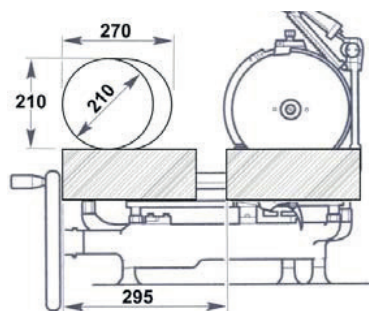
De machines van de fabrikant worden gedekt door een garantie van 24 maanden met ingang van de aankoopdatum. De garantie dekt uitsluitend defecten die worden vastgesteld bij een correct gebruik in overeenstemming met de aanwijzingen van de handleiding. De garantie dekt geen schade veroorzaakt door het transport, nalatigheid of onbekwaamheid van de koper, een verkeerde installatie of plaatsing, slijtage of een spanning die meer dan 10% hoger dan de nominale waarde is. De garantie dekt geen intrinsiek slijtagegevoelige onderdelen, zoals het mes en de slijpstenen van het slijpparaat, tenzij er sprake is van een duidelijk defect in de productie.

De fabrikant acht zich niet direct of indirect aansprakelijk voor:

- de veronachtzaming van de aanwijzingen van deze handleiding;
- gebruik zonder naleving van de toepasselijke wetgeving van het land van installatie;
- onbevoegde reparaties en/of wijzigingen aan de machine;
- gebruik van niet-originele accessoires of onderdelen;
- buitengewone gebeurtenissen.

Bij een eigendomsoverdracht komt elke vorm van aansprakelijkheid van de fabrikant te vervallen. Het typeplaatje op het onderstel van de machine bevat de fabrikant, de machine, de technische informatie.

VOLANO 12 RED



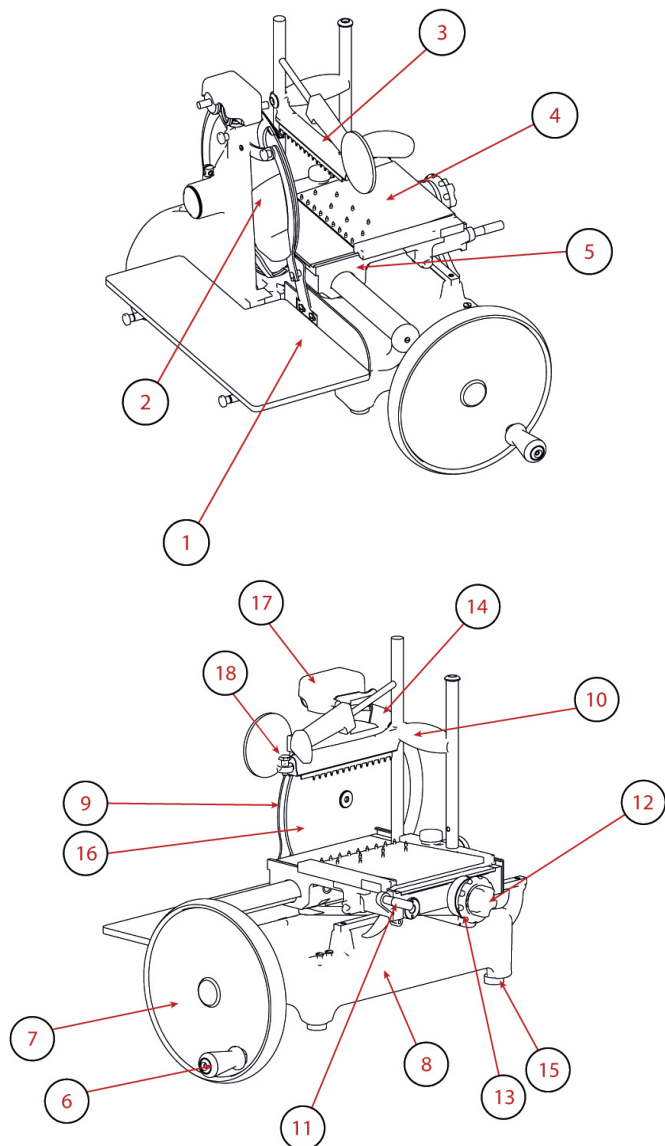
**SPECIFICATIES**

Snijcapaciteit (rond)	210 mm	
Snijcapaciteit (rechthoekig)	270x210 mm	
Maximale snijdikte	1,5 mm	
Mesdiameter	300 mm	
Gewicht	44 Kg	

## BRUKSANVISNING: MANUELL SKJÆREMASKIN MED SVINGHJUL

## MODELLER:

VOLANO VINTAGE, VOLANO HERITAGE, VOLANO S37



## MASKINDELER

1. Mottaksplate
2. Skiveleder
3. Produktskyver
4. Produktholderplate
5. Vogn
6. Manøvreringshåndtak svinghjul
7. Svinghjul
8. Sokkel
9. Bladdeksel
10. Vertikalt løp produktskyver
11. Spak for hurtig framdrift av plateholder
12. Hjul for framdrift av plateholder
13. Regulering av skivetykkelse
14. Skjærebladdeksel
15. Støttefot
16. Skjæreblad
17. Slippenhet

Fig. 1

## BESKRIVELSE

---

Skjæremaskiner med svinghjul med rundt knivblad, laget utelukkende for oppskjæring av matvarer av den typen og innenfor de dimensjonsgrensene som er angitt i denne bruksanvisningen. De viktigste delene som maskinen består av er illustrert i figur 1.

## SIKKERHET

---

Maskinen beskrevet i denne bruksanvisningen er i samsvar med de europeiske standardene for hygiene og sikkerhet som er satt i de nyeste standardene.

For din egen sikkerhet, vær oppmerksom på følgende instruksjoner:

- les alle instruksjonene grundig før du bruker maskinen;
- produktet er ikke laget for å brukes av barn;
- Bruk kun maskinen hvis du har fått skikkelig opplæring og er i utmerket fysisk og mental form;
- ikke bruk maskinen på noen måte annen den som er angitt i denne bruksanvisningen;
- installer maskinen i overensstemmelse med instruksjonene gitt i kapittelet 'Installasjon';
- installer maskinen på et sted der den er utenfor utenforståendes og særlig barns, rekkevidde;
- bruk maskinen med maksimal konsentrasjon og unngå å bli distraheret;
- ikke la noen som ikke har lest og forstått denne bruksanvisningen til fulle bruke maskinen;
- ikke bruk løstsittende plagg eller plagg med vide ermer;
- ikke la noen nærme seg maskinen når du skjærer;

- ikke fjerne, dekk til eller endre etikettene som er plassert på selve maskinen. Skift dem ut hvis de skulle bli skadet;
- ikke fjern beskyttelsene og ikke endre eller utelukke mekaniske beskyttelser;
- skjær kun opp tillatte produkter, forsøk aldri å skjære opp produkter som ikke er tillatt;
- hold alltid området der det oppskårede produktet plasseres, området rundt hele maskinen og gulvet der operatøren står rent og tørt;
- ikke bruk maskinen til å legge fra deg ting og ikke legg noen ting som ikke angår selve skjæreoperasjonen på maskinen;
- ikke bruk skjæremaskinen når avstanden mellom kanten på skjærebladet og sikkerhetsringen som beskytter bladet, som følge av normal slitasje, har oversteget 6 mm. I så tilfelle må du ta kontakt med produsenten eller et autorisert serviceverksted for å bytte ut bladet;
- stans maskinen umiddelbart og be om assistanse fra autorisert teknisk personale i tilfelle av unormal funksjon, mistanke om skader, feilaktige bevegelser, uvanlige lyder, etc.;
- bruk alltid hansker som er motstandsdyktige mot kutt og rifter ved rengjøring og vedlikehold;
- legg varene som skal skjæres opp på og ta dem av den bevegelige platen kun når denne er helt trukket tilbake (langt fra bladet) og med matervognen trukket helt mot operatøren;
- beveg platen under skjæring utelukkende ved hjelp av svinghjul;
- ta aldri på produktet med hendene under skjæring. Hold

alltid hendene langt borte fra skjærebladet;

- det er ikke tillatt å bruke skjæretilbehør som ikke har blitt levert av maskinprodusenten.

Produsenten fraskriver seg alt ansvar for skader som skyldes upassende bruk, endringer og/eller reparasjoner som har blitt utført av brukeren eller av ikke autorisert personale, bruk av ikke originale reservedeler eller som ikke er spesifikk for maskinmodellen.

Bruksbetingelser:

- Temperatur fra -5°C til +40°C
- Maks. fuktighet 95%

IKKE SKJÆR OPP:

- dypfrysede matvarer;
- frose matvarer;
- matvarer med bein (kjøtt og fisk);
- alle eventuelle produkter som ikke er matvarer.

### Restrisiko

Sikkerhetsringen rundt skjærebladet beskytter operatøren mot utilsiktet kontakt med bladet, men all fare for kutt kan likevel ikke fjernes fullstendig under skjæring.



**ADVARSEL!** Under rengjøring av og sliping av knivbladet må du utvise maksimal forsiktighet og holde hendene lengst mulig borte fra det ubeskyttede området. Vi anbefaler at du bruker beskyttende hansker.

## INSTALLASJON

---


Hvis du ikke bruker en støttekolonne (ekstrautstyr) må du installere maskinen på et jevnt og glatt underlag som er i stand til å tåle vekten av selve

maskinen pluss varene som skal skjæres opp. Kontroller at det ikke er noen hindringer for bevegelse av svinghjulet, for banen til matervognen eller for lasting av varer som skal skjæres opp. Anbefalt høyde på arbeidsbenken er cirka 80 cm. Løft maskinen forsiktig og sett inn gummiføttene på plassene sine i sokkelen. På enkelte modeller kan de fremre føttene løsnes og krus i ønsket posisjon på bakgrunn av dybden på arbeidsbenken.

For å unngå skader er enkelte modeller pakket med svinghjulet for seg, ikke montert. Hvis du har mottatt en maskin med svinghjulet demontert, gjør som følger:

- sett svinghjulet inn på aksene og kontroller at det er plassert riktig i forhold til hullene på hylsen svinghjul-akse (Fig. 3-A).

- sett en kjegleformede pluggen inn i hylsen, men den smale enden (minst diameter) vendt mot selve hylsen (Fig. 3-B)

 **ADVARSEL!** Hvis pluggen er riktig plassert skal den uten å føres nesten helt inn, kun at du må tvinge den.

- dunk på pluggen for å sette den helt inn.

## BRUK

- Kontroller at skjærebladet er beskyttet av dekselet: bruk spaken som blokkerer skjærebladdekselet, hvis den finnes (fig. 4); kontroller at bryteren som regulerer tykkelsen på skiven er i sikkerhetsposisjon (i posisjon "0") (13);

- Hvis håndtaket er bøyd mot svinghjulet løfter du det i arbeidsposisjon, perpendikulært i forhold til svinghjulet;

- Bruk svinghjulet (7) til å beve-

ge matervognen (5) helt forover (mot operatøren);

- trekk produktholderplaten (4) helt tilbake (langt fra skjærebladet) ved bruk av systemet for hurtig framdrift (12);


- legg produktet som skal skjæres opp på produktholderplaten;

- grip tak i håndtaket for vertikal flytting av produktskyveren og trykk den mot produktet;


- grip tak i håndtaket på armen av produktskyveren og skyv den bestemt mot produktet for å blokkere dette;

- still inn ønsket tykkelse på skiven ved å dreie håndtaket og samtidig velge tykkelse;


- flytt produktholderplaten (mot skjærebladet) ved hjelp av systemet for hurtig framdrift av platen (11) eller systemet for framdrift (12);

 **ADVARSEL!** La det være et mellomrom på mellom 0,5 og 1 cm mellom skjærebladet og produktet.

- Ta beskyttelsen av skjærebladet, avhengig av modell: a) Trekk låsespaken mot operatøren, hvis den finnes, og dreie den mot klokka; b) løsne låseknotten på skjærebladdekselet, trekk mot operatøren, skru fast knotten igjen for å låse dekselet i hvileposisjon (skjæreblad avdekket);

 **ADVARSEL** **Skarpt blad, fare for kutt!** Når knivbladet ikke er dekket av beskyttelsen må du utvise ekstrem forsiktighet og alltid holde hendene lengst mulig borte fra det beskyttede området.

- Bruk svinghjulet ved å dreie det med klokkeretningen;


 **ADVARSEL!** **Fare for skader!** Ikke dreie svinghjulet på matervognen i mot-

satt retning. Feil rotering av svinghjulet kan føre til alvorlige skader på maskinen.

- mens matervognen går tilbake (mot operatøren) aktiveres den mekaniske innretningen som beveger platen i tverrgående retning mot skjærebladet;

- Når produktholderplaten når framdriftsgrensen mot skjærebladet, stans og løst produktskyveren. Ved bruk av framdriftssystemet for platen eller hurtigframdriftssystemet, fjerner du platen fra skjærebladet. Legg produktet på plass igjen, blokker det på nytt med produktskyveren og begynn å skjære opp;

- Fjern produktet ved å gå fram i motsatt rekkefølge

 **ADVARSEL** **Fare for kutt!** Når du er ferdig med å skjære dreier du spaken i motsatt rekkefølge. Beskyttelsesringen plasserer seg over bladet og fjerner dermed den farlige situasjonen.

## RENGJØRING

Maskinene må rengjøres grundig etter bruk. Etter en periode der maskinene ikke har vært i bruk må de rengjøres også før bruk. Bruk hansker som er motstandsdyktige mot kutt og rifter og vær veldig forsiktig når du foretar alle operasjonene.

Rengjøringsprodukter: bruk utelukkende vann med en myk klut og eventuelt en halvstiv nylonbørste for området rundt platen og produktskyveren. Ikke rengjør maskinen med vannsprut eller damp eller lignende metoder.

## DEMONTERING

- Kontroller at beskyttelsen

dekker bladet (9) skikkelig

- Løsne låseskruen på skiveredeleren for hånd og fjern den.

- Fjern brettet

- Fjern produktholderplaten, dreii låsespaken mot klokke-retningen, løft bare platen og fjerner denne.

- Trekk ut mottaksplaten. Hvis platen er blokkert av to sideknotter løsner du disse før du trekker ut platen.

**!** **ADVARSEL!** For enkelte modeller, skyv produkt-holdeplaten forover før du løfter den sammen med produkt-holderen.

## RENGJØRING

- skjærebladet: press en fuktig klut mot overflaten på skjærebladet og flytt den langsomt fra midten og utover, som vist i figuren, på knivdekselsiden og på motsatt side. Tørk på samme måte med en tørr klut;

**!** **ADVARSEL!** Ikke start skjæremaskinen mens du rengjør skjærebladet.

- sikkerhetsring: bruk en halvstiv børste i nylon til å rengjøre området mellom skjærebladet og beskyttelsesringen;

**!** **ADVARSEL** **Skarpt blad, fare for kutt!** Når knivbladet ikke er dekket av beskyttelsen

- maskinens hoveddel: rengjør selve maskinen med en myk klut eller svamp fuktet med vann. Tørk grundig.

## NY MONTERING

- Kontroller at beskyttelsen dekker bladet (9) skikkelig;

- Sett brettet tilbake i posisjon;

- Lukk skivelederen;

- Bruk bryteren på svinghjulet, dreii svinghjulet (7) for å bevege produktholderplaten (4) helt framover (mot operatøren);

- Med en vertikal bevegelse ovenfra og nedover, sett produktholderplaten i startposisjonen.

**!** **ADVARSEL:** for enkelte modeller, etter å ha plassert produktholderplaten, skyv den for å feste den til platestøtten. Hvis den finnes, lukk spaken, eller stram bryteren på produktholderplaten.

## VEDLIKEHOLD

Sliping av knivbladet

Hvor hyppig og hvor lenge du må slipe bladet avhenger av hvor mye og hvordan det brukes.

**!** **ADVARSEL** **Skarpt blad, fare for kutt!** Når knivbladet ikke er dekket av beskyttelsen må du utvise ekstrem forsiktighet og alltid holde hendene lengst mulig borte fra det beskyttede området.

For å slipe skjærebladet følg instruksjonene i henhold til angitt modell:

VOLANO 12 RED (Fig. 6)

- Rengjør skjærebladet og fjern alle rester av fett

- Kontroller at beskyttelsen dekker bladet skikkelig

- Fjern produktholderplaten fra skjærebladet

- Løft slipeenheten og dreii den 180°

- Senk slipeenheten forsiktig, skjærebladet vil automatisk sentreres mellom de to slipe-skivene

- Trykk på tasten (B) i cirka 10-15 sekunder og dreii samtidig svinghjulet. Slipp knappen (B), trykk på knappen (C) i 2-3 sekunder og slipp den.

- Avbryt rotering av svinghju-let

- Kun når skjærebladet står stille kan du sette slipeenheten tilbake i originalposisjon og skru fast knotten.

**!** **ADVARSEL!** Fare for skader! Ikke fortsett med slipeoperasjoner for lenge (ikke mer enn 2-3 sekunder), slik at du unngår å skade bladet.

Smøring (Fig. 7)

- Hell noen dråper olje på stangen (1) i koblingen til bryteren som regulerer tykkelsen på skiven (2);

- Hell noen dråper olje i hullene (3 og 4);

- Hell noen dråper olje i koblingen mellom svinghjulet og hoveddelen på skjæremaskinen (5);

- Drei kort på svinghjulet. Bruk kun ikke syreholdig olje (vi anbefaler vaselinolje) til smøring. Ikke bruk vegetabilske oljer.

## ASSISTANSE

Det er ingen reservedeler inne i pakningen. All utskifting og reparasjon (slik som utskifting eller reparasjon av skjærebladet, reimen, elektriske deler, strukturelle deler, etc.), må kun gjennomføres av personale som er autorisert av produsenten.

Hvis det skulle bli nødvendig med en reparasjon må du levere maskinen tilbake til produsenten eller til et autorisert serviceverksted.

For informasjonen om serviceverksteder, ta kontakt med: [service@berkelinternational.com](mailto:service@berkelinternational.com).

**!** **ADVARSEL!** Det er påbudt å skifte ut skjærebladet når avstanden mellom kanten på selve bladet og den innvendige kanten på beskyt-

telsen overstiger 6 mm.

## GARANTI OG ANSVAR

---

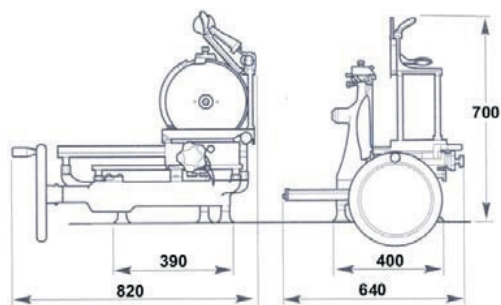
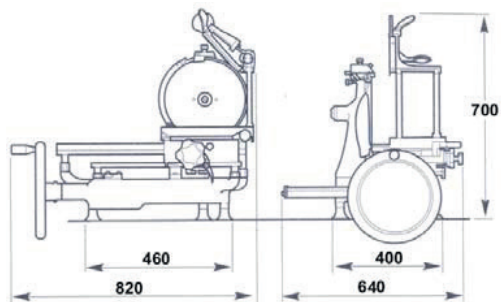
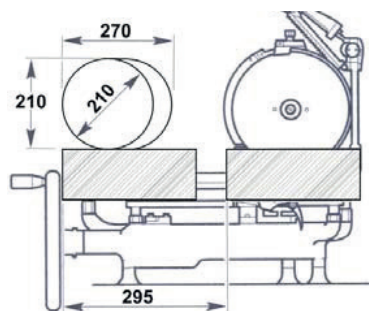
Produsenten leverer maskinene med en garanti på 24 måneder, som løper fra kjøpsdato. Garantien dekker utelukkende defekter som har oppstått under korrekt bruk i henhold til instruksjonene og betingelsene gitt i denne bruksanvisningen. Garantien dekker ikke defekter som skyldes transport, inkompetanse eller skjødesløshet fra brukerens side, upassende eller feilaktig installasjon eller plassering, skader som skyldes slitasje eller spenning over 10% over merkespenningen. Garantien dekker dessuten ikke komponenter som utsettes for regelmessig slitasje, slik som skjærebladet, slipeskivene, med mindre det er tydelige tegn på produksjonsfeil.

Produsenten fraskriver seg alt direkte eller indirekte ansvar for situasjoner som oppstår som følge av:

- manglende overholdelse av instruksjonene gitt i denne bruksanvisningen;
- bruk som ikke er i samsvar med gjeldende regler og standarder i installasjonslandet;
- uautoriserte endringer og/eller reparasjoner utført på maskinen;
- bruk av ikke originalt tilbehør eller reservedeler;
- eksepsjonelle hendelser.

Overføring av maskinen til andre fører til umiddelbart bortfall av alt produsentansvar. Merkeplaten som er plassert nederst på maskinen identifiserer produsenten, maskinen, teknisk informasjon.

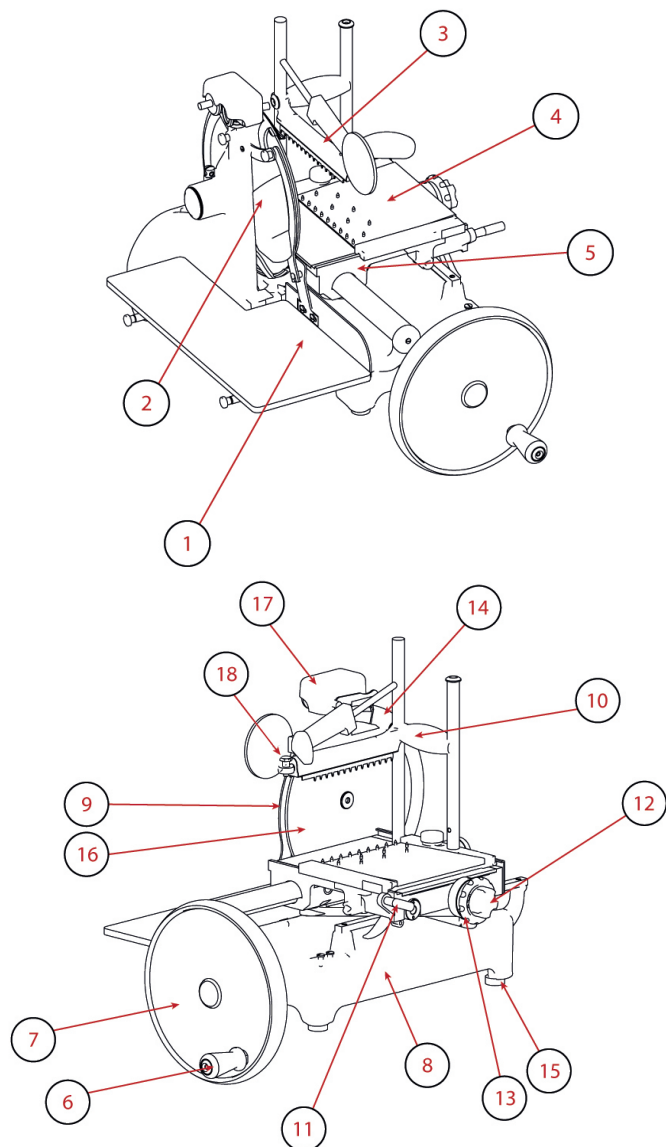
VOLANO 12 RED



SPESIFIKASJONER		
Sirkelformet skjærekapasitet	210 mm	
Rektangulær skjærekapasitet	270x210 mm	
Maksimal skivetykkelse	1,5 mm	
Diameter skjæreblad	300 mm	
Vekt	44 Kg	

## MANUAL DE INSTRUÇÕES: MÁQUINA DE CORTAR FIAMBRE MANUAL COM VOLANTE

MODELOS:  
VOLANO 12 RED



### PARTES DA MÁQUINA

1. Mesa de recolha
2. Protector de fatia
3. Empurrador
4. Mesa móvel
5. Carro
6. Alça de manobra do volante
7. Volante
8. Base
9. Protector da lâmina
10. Movimento vertical do empurrador
11. Alavanca de avanço rápido da mesa superior
12. Pequeno volante de avanço da mesa superior
13. Manípulo de ajuste da espessura da fatia
14. Protector da lâmina
15. Pé de apoio
16. Lâmina
17. Afiador

Fig. 1

## DESCRIÇÃO

Máquinas de cortar fiambre com volante e lâmina circular, projectadas para cortar e fazer exclusivamente produtos alimentares do tipo e dentro dos limites especificados neste manual. As principais partes componentes da máquina estão ilustradas na figura 1.

## SEGURANÇA

As máquinas descritas neste manual estão de acordo com os padrões europeus de higiene e segurança previstos pelas normativas mais recentes.

Preste a devida atenção às instruções aqui apresentadas para garantir a sua própria segurança:

- leia atentamente todas as instruções antes de utilizar a máquina;
- o produto não deve ser utilizado por crianças;
- o uso da máquina exige uma instrução adequada e que as faculdades psicofísicas do operador estejam em perfeitas condições;
- não utilize a máquina de formas diferentes das constantes neste manual de instruções;
- instale a máquina respeitando as instruções incluídas no parágrafo 'Instalação';
- instale a máquina num local fora do alcance das pessoas não envolvidas no trabalho e especialmente das crianças;
- mantenha-se concentrado nas suas tarefas durante o trabalho, não se distraia;
- a máquina não pode ser utilizada por pessoas que não tenham lido e compreendido o teor deste manual;
- não utilize vestuário largo ou com mangas largas e abertas;

- não permita que ninguém se aproxime durante as operações de corte do produto;
- não remova, cubra ou adulte as placas aplicadas ao corpo da máquina e substitua prontamente as placas ilegíveis;
- não remova as protecções e não modifique ou exclua as protecções mecânicas;
- corte exclusivamente os produtos permitidos e jamais tente cortar produtos de tipo proibido;
- mantenha a zona de apoio do produto cortado, toda a zona de trabalho ao redor da máquina e o pavimento sempre limpos e secos;
- não utilize a máquina como superfície de apoio de objectos estranhos, particularmente durante as operações de corte;
- não utilize a máquina de cortar fiambre se, devido ao desgaste, a distância entre o gume da lâmina e o anel de protecção for superior a 6 mm. Neste caso, entre em contacto com o fabricante ou com um centro de assistência autorizado para a substituição da lâmina;
- interrompa imediatamente o funcionamento da máquina e solicite a intervenção de um assistente técnico autorizado na ocorrência de defeitos ou anomalias funcionais, suspeita de ruptura, movimentos não correctos, ruídos incomuns, etc.;
- utilize sempre luvas de protecção resistentes ao corte e ao rasgo durante as operações de limpeza e manutenção;
- apoie o produto sobre a mesa superior móvel (ou remova o produto a partir da mesma) somente se a mesa principal estiver completamente recuada (afastada da lâmina) e o carro o

- mais próximo possível de si;
- o movimento da mesa durante as operações de corte deve ser comandado exclusivamente através do volante;
- nunca toque no produto durante a operação de corte. Mantenha as mãos sempre afastadas da lâmina;
- não é permitido o uso de acessórios de corte que não tenham sido fornecidos pelo fabricante em conjunto com a máquina.

O fabricante declina qualquer responsabilidade, directa e indirecta, que possa decorrer do uso inapropriado, alterações e/ou reparos efectuados sem autorização prévia, uso de acessórios e peças sobressalentes não originais ou não específicos para o modelo da máquina.

Condições ambientais de uso:

- Temperatura de -5 °C a +40 °C
- Humidade máx. 95%

### NÃO CORTE:

- produtos alimentares congelados;
- produtos alimentares ultra-congelados;
- produtos alimentares com ossos (carne e pescado);
- qualquer outro produto não destinado a uso alimentar.

### Riscos residuais

O anel de segurança ao redor da lâmina protege o operador contra o contacto accidental com a lâmina mas, para permitir a operação de afiação, a protecção não elimina totalmente o risco de corte.



**CUIDADO!** Durante as operações de limpeza da lâmina e afiação, preste a máxima atenção e mantenha as mãos o mais afastado possí-

vel da zona não protegida. Recomenda-se vivamente o uso de luvas de protecção.

## INSTALAÇÃO

Se a coluna de suporte (opcional) não for utilizada, instale a máquina sobre uma superfície bem nivelada, seca e adequadamente dimensionada para suportar o peso da máquina e do produto a cortar. Verifique a presença de eventuais obstáculos ao movimento do volante e do carro e certifique-se de que a operação de carregamento do produto possa ser feita sem impedimentos. A altura recomendada da superfície de trabalho é de aproximadamente 80 cm. Levante a máquina atentamente e insira os pés de borracha nos respectivos alojamentos junto à base. Em alguns modelos, os pés de apoio anteriores podem ser regulados e colocados na posição desejada em função da profundidade total da superfície de trabalho.

Para prevenir danos durante a operação de transporte, alguns modelos são fornecidos com o volante separado, não montado. Se o volante da máquina não estiver montado, siga os passos abaixo:

- insira o volante no eixo verificando a correcta posição dos furos presentes na manga/grupo volante-eixo (Fig. 3-A);
- insira o pino cónico na manga com a extremidade afunilada (diâmetro inferior) direccionada para a própria manga (Fig. 3-B);

**⚠ CUIDADO!** Se o pino estiver posicionado correctamente, será possível inseri-lo quase por completo sem forçar.

- Empurre e encaixe o pino

completamente.

## OPERAÇÃO

- Assegure-se de que a lâmina esteja bem protegida: utilizando a alavanca de bloqueio da protecção da lâmina, se houver (Fig. 4); certificando-se de que o manípulo de ajuste da espessura esteja na posição de segurança (posição "0") (13);

- se o manípulo estiver direccionado para o volante levante-o para a posição de trabalho, em perpendicular em relação ao próprio volante;

- accionando o volante (7) mova o carro totalmente para a frente (5) (em direcção a si próprio);

- recue completamente (afastada da lâmina) a mesa móvel (4) utilizando o sistema de avanço da mesa (12);

- apoie o produto a cortar sobre a mesa móvel;

- segure a alça de movimentação vertical do empurrador e pressione-a contra o produto

- segure a alça do braço do empurrador e pressione firmemente o braço contra o produto para prender este último;

- ajuste a espessura da fatia conforme desejado girando contemporaneamente o manípulo;

- aproxime a mesa móvel (em direcção à lâmina) actuando no sistema de avanço rápido (11) ou no sistema de avanço simples (12);

**⚠ CUIDADO!** Deixe um espaço de 0,5 a 1 cm entre a lâmina e o produto.

- remova a protecção da lâmina (de acordo com o modelo):

a) para si a alavanca de bloqueio, se presente, girando-a contemporaneamente no sentido anti-horário; b) afrouxe

o manípulo de bloqueio do protector de fatia, puxe este último para si e reaperte o manípulo para prender o protector na sua posição de repouso (lâmina desprotegida);

**⚠ CUIDADO Lâmina afiada, perigo de corte!**

Sempre que a lâmina não estiver coberta pela protecção, preste a máxima atenção para manter as mãos o mais afastado possível da zona não protegida.

- para accionar o volante gire-o no sentido horário;

**⚠ CUIDADO risco de danos!** Não gire o volante

do carro no sentido contrário: a rotação invertida do volante pode danificar seriamente a máquina.

- durante o movimento de retorno do carro (em direcção ao operador) é accionado o dispositivo mecânico que permite o avanço, no sentido transversal, da mesa superior em direcção à lâmina;

- interrompa e levante o empurrador quando a mesa móvel atingir o limite de avanço (fim-de-curso) em direcção à lâmina. Afaste a mesa da lâmina utilizando o sistema de avanço simples ou de avanço rápido. Reposicione o produto, fixe-o novamente mediante o empurrador e repita a operação de corte;

- descarregue o produto efectuando as operações no sentido inverso.

**⚠ CUIDADO perigo de corte!** Depois de concluir a operação de corte, gire a alavanca no sentido oposto: o

anel de protecção sobrepõe-se à lâmina eliminando a condição de perigo.

## LIMPEZA

As máquinas devem ser limpas cuidadosamente depois do seu uso. Devem também ser limpas após um período de inactividade, antes do uso. Utilize luvas de protecção resistentes ao corte e ao rasgo e opere sempre com extremo cuidado.

Produtos para a limpeza: utilize exclusivamente água com um pano macio e esponjoso e eventualmente uma escova de nylon semi-rígida para as zonas da mesa e do empurrador. Não limpe a máquina com jactos de água ou vapor ou com métodos similares.

## DESMONTAGEM


- Assegure-se de que a protecção cubra devidamente a lâmina (9)

- Extraia manualmente o parafuso de bloqueio do protector de fatia e remova este último.

- Remova a bandeja

- Remova a mesa móvel girando a alavanca de bloqueio no sentido anti-horário: levante somente a mesa e remova-a.


- Extraia a mesa de recolha. Se a mesa estiver bloqueada por meio de dois pernos laterais, afrouxe-os antes de proceder com a extracção.

 **CUIDADO!** Em alguns modelos é preciso mover a mesa móvel para a frente antes de levantá-la com o empurrador.

## LIMPEZA

- Lâmina: pressione um pano humedecido contra a superfície da lâmina e mova-o lentamente a partir do centro para fora, conforme mostrado na

figura, no lado do protector da lâmina e também no lado oposto. Seque executando a mesma operação e utilizando um pano seco;

 **ADVERTÊNCIA!** Não accione a máquina de cortar durante as fases de limpeza da lâmina.

- anel de segurança: utilize uma escova de nylon semi-rígida para limpar a zona compreendida entre a lâmina e o anel de protecção;

 **CUIDADO Lâmina afiada, perigo de corte!**

Sempre que a lâmina não estiver coberta pela protecção, preste a máxima atenção para manter as mãos o mais afastado possível da zona não protegida.

- corpo da máquina: limpe o corpo da máquina com um pano humedecido ou uma esponja e água. Seque cuidadosamente.

## REMONTAGEM


- Assegure-se de que a protecção cubra devidamente a lâmina (9);

- reposicione correctamente a bandeja;

- feche o protector de fatia;

- utilizando o manípulo do volante, gire este último (7) a fim de permitir o avanço completo (em direcção a si próprio) da mesa de contenção móvel (4);

- executando um movimento vertical do alto para o baixo, remonte a mesa móvel e restaure a sua posição original.

 **CUIDADO:** em alguns modelos é preciso posicionar a mesa móvel e empurrá-la em seguida para fixá-la correctamente ao suporte. Feche a alavanca ou aperte o manípulo na mesa móvel, se houver.

## MANUTENÇÃO

### Afição da lâmina

Frequência e tempo de duração da afiação dependem do tipo de uso do equipamento.

 **CUIDADO Lâmina afiada, perigo de corte!**

Sempre que a lâmina não estiver coberta pela protecção, preste a máxima atenção para manter as mãos o mais afastado possível da zona não protegida.

Para a afiação das lâminas, siga os passos em função do modelo indicado:

### VOLANO 12 RED (Fig. 6)

- Limpe cuidadosamente a lâmina removendo os resíduos de gordura

- Assegure-se de que a protecção cubra devidamente a lâmina

- Afaste a mesa móvel da lâmina


- Levante o afiador e gire-o a um ângulo de 180°

- Abaixé delicadamente o afiador, a lâmina se posicionará automaticamente entre as duas mãos

- Pressione o botão (B) por aproximadamente 10-15 segundos e gire contemporaneamente o volante. Solte o botão (B), pressione o botão (C) por cerca de 2-3 segundos e solte-o em seguida.

- Interrompa o movimento de rotação do volante

- Somente após a parada completa da lâmina, recolque o afiador na sua posição original e aperte firmemente o manípulo de bloqueio.

 **CUIDADO:** risco de danos! Não estenda em demasia a duração (não mais

de 2-3 segundos) da operação de rebarbação para prevenir danos à lâmina.

#### Lubrificação (Fig. 7)

- Introduza algumas gotas de óleo na barra (1) e na junta do manípulo de ajuste da espessura da fatia (2);

- Introduza algumas gotas de óleo nos furos (3 e 4);

- Introduza algumas gotas de óleo nas juntas entre o volante e o corpo da máquina (5);

- Accione brevemente o volante. Para a lubrificação, utilize somente óleos não ácidos (nós aconselhamos óleo de vaselina). Não utilize óleo vegetal.


### ASSISTÊNCIA

---

A embalagem fornecida não inclui peças sobressalentes. Todas as operações de reparo e substituição (tais como de reparo e substituição da lâmina, correia, componentes eléctricos, peças estruturais etc.) devem ser efectuadas somente por técnicos autorizados pelo fabricante.

Se a máquina precisar de reparo, envie-a para o fabricante ou para um centro de assistência autorizado.

A fim de obter maiores informações em relação aos centros de assistência, escreva para [service@berkelinternational.com](mailto:service@berkelinternational.com).

 **CUIDADO! A distância entre o gume da lâmina e a borda interior de protecção não deve exceder 6 mm: caso contrário, a lâmina deve ser obrigatoriamente substituída.**

### GARANTIA E RESPONSABILIDADE

---

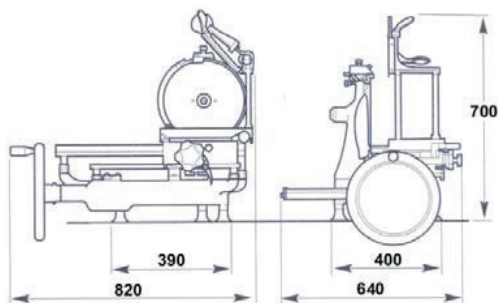
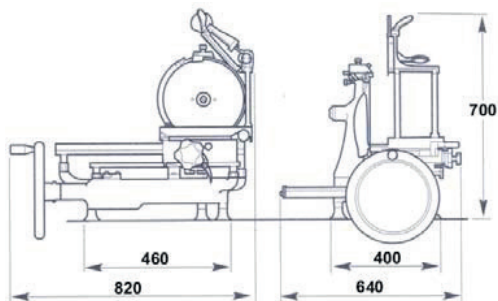
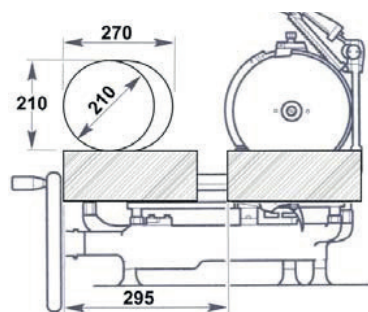
O fabricante garante as suas máquinas por um período de 24 meses contados a partir da data de aquisição. A garantia cobre os defeitos eventualmente detectados somente se a máquina for utilizada em modo adequado e de acordo com as condições previstas neste manual. A garantia não cobre defeitos ocasionados pelas operações de transporte, por imperícia ou negligência do comprador, instalação ou posicionamento inadequado, danos devido ao desgaste natural, tensão superior a 10% em relação ao valor nominal. Ademais, a garantia não cobre os componentes intrinsecamente sujeitos a desgaste, tais como a lâmina e as mós do afiador, excepto no caso de evidente defeito de fabrico.

O fabricante declina qualquer responsabilidade, directa e indirecta, que possa decorrer de:

- inobservância das instruções presentes no manual;
- uso não conforme com as normas dominantes no país de instalação;
- adulterações e/ou realização de reparos na máquina não autorizados;
- uso de acessórios e peças sobressalentes não originais;
- eventos extraordinários.

A transferência da propriedade da máquina implica a isenção do fabricante de qualquer responsabilidade. A placa de identificação na base da máquina inclui o nome do fabricante, do modelo, as informações técnicas.

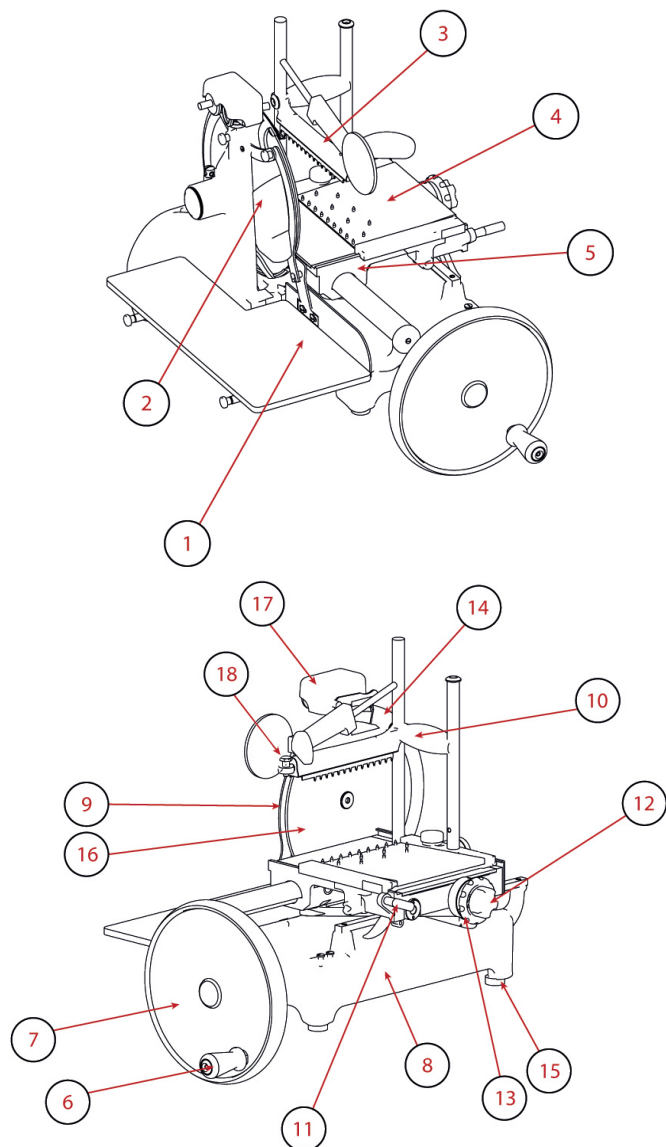
VOLANO 12 RED



ESPECIFICAÇÕES		
Capacidade de corte circular	210 mm	
Capacidade de corte rectangular	270x210 mm	
Espessura máxima da fatia	1,5 mm	
Diâmetro da lâmina	300 mm	
Peso	44 Kg	

# MANUAL DE INSTRUCȚIUNI: MAȘINĂ DE FELIAT MANUALĂ CU VOLANTĂ

MODELE:  
VOLANO 12 RED



## PĂRȚI ALE MAȘINII

1. Platou colectare
2. Deviator felii
3. Dispozitiv de împingere
4. Platou produse
5. Cărucior
6. Mâner de manevrare volantă
7. Volantă
8. Soclu
9. Protecție lamă
10. Alunecare verticală produs
11. Manetă avans rapid platou superior
12. Volantă avans platou superior
13. Reglare grosime felie
14. Protecție lamă
15. Picior de sprijin
16. Lamă
17. Dispozitivul de ascuțire

Fig. 1

## DESCRIERE

---

Mașini de feliat cu volantă și lamă circulară, proiectate să fieleze exclusiv produse alimentare de tipul și în limitele de dimensiune indicate în prezentul manual. Piesele principale care alcătuiesc mașina sunt ilustrate la figura 1.

## SIGURANȚA

---

Mașinile descrise în acest manual respectă standardele europene de igienă și siguranță impuse de cele mai noi normative.

Pentru siguranța dvs., respectați următoarele instrucțiuni:

- citiți cu atenție toate instrucțiunile înainte de a utiliza mașina;

- produsul nu este recomandat a fi utilizat de către copii;

- utilizați mașina doar dacă sunt instruiți adecvat și aveți o stare psiho-fizică perfectă;

- nu utilizați mașina în alt mod decât cel indicat în prezentul manual;

- instalați mașina în conformitate cu instrucțiunile din paragraful Instalare;

- nu instalați mașina la îndemâna personalului nefamiliarizat cu operațiunile de utilizare și mai ales a minorilor;

- utilizați mașina cu mare atenție și nu vă lăsați distrași în timpul folosirii;

- nu permiteți niciunei persoane care nu a citit și înțeles prezentul manual să folosească mașina;

- nu folosiți îmbrăcăminte largă sau cu mâneci desfăcute;

- nu permiteți nimănui să se apropie în timpul operațiunii de tăiere a produsului;

- nu îndepărtați, acoperiți sau modificați plăcuțele de pe corpul mașinii; în caz de deteriorare a acestora, înlocuiți-le;

- nu îndepărtați protecțiile și nu modificați sau excludeți protecțiile mecanice;

- feliați doar produsele permise, nu încercați să faceți teste de tăiere cu produse de tip interzis;

- păstrați zona de sprijin a produsului feliat, zona din jurul mașinii și pardoseala de lucru mereu curate și uscate;

- nu utilizați mașina ca suprafață de sprijin și nu sprijiniți niciun obiect străin față de operațiunile normale de tăiere;

- nu folosiți mașina de feliat când, ca urmare a uzurii normale, distanța dintre tăișul lamei și inelul de protecție a lamei a depășit 6 mm; în acest caz, contactați producătorul sau unul dintre centrele de service autorizate pentru înlocuirea lamei;

- opriți imediat mașina și solicitați intervenția personalului de asistență autorizat în caz de defecțiuni, funcționare anormală, suspiciune de defecțiuni, mișcări incorecte, zgomote ciudate;

- folosiți întotdeauna mănuși rezistente la tăiere și rupere pentru operațiunile de curățare și întreținere;

- așezați și îndepărtați produsul de feliat de pe platoul glisant doar atunci când platoul este complet retras (departe de lamă) și căruciorul se află integral spre operator;

- glišați platoul în timpul operațiunilor de tăiere folosind doar volanta;

- nu atingeți niciodată cu mâinile produsul în timpul operațiunii de tăiere. Țineți mâinile la distanță de lame;

- nu este permisă utilizarea accesoriilor de tăiere care nu au fost furnizate de producător împreună cu mașina.

Producătorul își declină orice răspundere ca urmare a utiliză-

rii inadecvate, a modificărilor și/sau reparațiilor neautorizate efectuate la mașină, a utilizării pieselor de schimb neoriginale sau nespecifice pentru modelul de mașină.

Condiții ambientale de utilizare:

- Temperatura între -5°C și +40°C
- Umiditate max 95%

NU FELIAȚI:

- produse alimentare înghețate;
- produse alimentare congelate;
- produse alimentare cu os (carne și pește);

- orice alt produs nedestinat utilizării alimentare.

### Riscuri reziduale

Inelul de protecție din jurul lamei protejează operatorul de contactul accidental cu lama, totuși, pentru a permite operațiunile de ascuțire, protecția nu elimină complet riscul de tăiere.



**ATENȚIE! În timpul operațiunilor de curățare și ascuțire a lamei, țineți mâinile cât mai departe de zona neprotejată. Se recomandă folosirea mănușilor de protecție.**

### INSTALARE

---


Dacă nu se utilizează coloana de susținere (opțională), instalați mașina pe o suprafață bine nivelată, uscată și adecvată să susțină greutatea mașinii și a produsului de feliat. Verificați să nu existe blocaje la mișcarea volantei, la rularea căruciorului și la încărcarea produsului de feliat. Înălțimea recomandată a planului de lucru este de circa 80 cm. Ridicați mașina cu atenție și introduceți picioarele de cauciuc în locașurile din soclu. Pentru unele modele, picioarele de sprijin anterioare pot fi deșurubate

și plasate în poziția dorită în funcție de adâncimea planului de lucru.

Pentru a evita deteriorarea, în timpul transportului unele modele sunt ambalate cu volanta separat, nemontată. Dacă volanta mașinii primite nu este montată, urmați instrucțiunile:

- introduceți volanta pe arbore verificând corespondența corectă dintre orificiile manșonului volantei și arbore (Fig. 3-A)

- Introduceți în manșon șplintul conic cu extremitatea ascuțită (diametrul mai mic) orientată spre manșon (Fig. 3-B)

 **ATENȚIE!** Dacă șplintul este poziționat corect, va putea fi introdus aproape complet fără a fi forțat

- loviți șplintul pentru a-l introduce corect.

## FUNCȚIONARE

- Asigurați-vă că lama este bine protejată de protecția pentru lamă: folosind pârghia de blocare a protecției pentru lamă, dacă există (Fig. 4); controlând ca mânerul de reglare a grosimii să fie în poziție de siguranță (în poziția 0) (13);

- Dacă mânerul este pliat spre volantă, ridicați-l în poziția de lucru, perpendicular raportat la volantă;

- acționând volanta (7) treceți căruciorul (5) integral în față (spre operator);

- retrageți complet (departe de lamă) platoul pentru produse (4) folosind sistemul de avansare rapidă (12);

- așezați produsul de feliat pe platoul pentru produse;


- prindeți mânerul pentru alunecarea verticală a dispozitivului de împingere și apăsați-l pe produs;

- prindeți mânerul brațului dis-


pozitivului de împingere și împingeți-l cu forță pe produs pentru a-l bloca;

- setați grosimea dorită a feliei rotind mânerul în același timp și selectând grosimea;


- apropiați platoul pentru produse (spre lamă) intervenind asupra sistemului de avansare rapidă al platoului (11) sau al sistemului de avansare (12);

 **ATENȚIE!** Lăsați un spațiu de 0,5 - 1 cm între lamă și produs.

- Îndepărtați protecția lamei în funcție de model: a) Trageți spre operator pârghia de blocare, dacă există, rotind în sens antiorar; slăbiți mânerul de blocare a protecției lamei, trageți spre operator, reînșuabați mânerul pentru a bloca protecția lamei în poziția de repaus (lamă descoperită);

 **ATENȚIE! Lamă ascuțită, pericol de tăiere!** Când lama nu este acoperită de protecție, țineți mâinile cât mai departe posibil de zona neprotejată.

- Acționați volanta rotind-o în sens orar;


 **ATENȚIE risc de deteriorare!** Nu rotiți volanta căruciorului în sens contrar, rotația inversă a volantei poate deteriora grav mașina.

- în timpul cursei de retur a căruciorului (spre operator) este acționat dispozitivul mecanic care determină avansarea, în sens transversal, a platoului spre lamă;

- Când platoul pentru produse atinge limita de avans spre lamă, opriți-vă și ridicați dispozitivul de împingere. Utilizând sistemul de avansare al platoului sau cel de avansare rapidă, îndepărtați platoul de lamă. Repoziționați produsul, blocați-l din nou cu dispozitivul de împingere și re-

luați felierea;

- descărcați produsul efectuând operațiunile în ordine inversă.

 **ATENȚIE pericol de tăiere!** La finalizarea operațiunii de tăiere, rotiți pârghia în sens opus: inelul de protecție se suprapune peste lamă eliminând pericolul.

## CURĂȚAREA

Mașinile trebuie curățate atent cel la sfârșitul utilizării. După o perioadă de inactivitate trebuie curățate și înainte de prima utilizare. Utilizați mănuși de protecție rezistente la tăiere și rupere și efectuați toate operațiunile cu mare atenție.

Produse pentru curățenie: folosiți exclusiv apă cu o cârpă moale, buretoasă și eventual o perie din nylon semirigidă pentru zonele platoului și ale dispozitivului de împingere. Nu curățați mașina cu jeturi de apă sau vapori ori metode similare.

## DEMONTAREA


- Asigurați-vă că protecția acoperă adecvat lama (9)

- Deșurubați manual șuruburile de blocare a deviatorului de felii și îndepărtați-l.

- Îndepărtați tăvița


- Îndepărtați platoul de produse, rotiți pârghia de blocare în sens antiorar, ridicați doar platoul și îndepărtați-l.

- Glisați platoul de colectare. Dacă platoul este blocat de două tije laterale, slăbiți-le înainte de a glisa platoul.

 **ATENȚIE!** Pentru unele modele, împingeți platoul pentru produse în față înainte de a-l ridica împreună cu produsele.

## CURĂȚAREA

- Lama: aplicați o cârpă umedă pe suprafața lamei și deplasați-o lent de la centru spre exterior, ca în figură, pe latura protecției lamei și pe latura opusă. Usați, în același mod, utilizând o cârpă uscată;

 **AVERTISMENT!** Nu porniți mașina de feliat când lama este curățată.

- inelul de siguranță: utilizați peria de nylon semirigidă pentru a curăța zona cuprinsă între lamă și inelul de protecție;

 **ATENȚIE! Lamă ascuțită, pericol de tăiere!**

Când lama nu este acoperită de protecție, țineți mâinile cât mai departe posibil de zona neprotejată.

- corpul mașinii: curățați corpul mașinii cu o cârpă umedă sau un burete clătind cu apă. Usați cu grijă.

## REASAMBLAREA


- Asigurați-vă că protecția acoperă adecvat lama (9);

- Așezați din nou tăvița pe poziție;

- Închideți deviatorul feliei;

- Utilizând mânerul volantei, rotiți volanta (7) pentru a aduce integral în față (spre operator) platoul pentru produse glisante (4);

- Prin mișcarea verticală de sus în jos, readuceți platoul pentru produse în poziția inițială.


 **ATENȚIE:** la unele modele, după poziționarea platoului pentru produse, împingeți-l pentru a-l fixa la suportul platoului. Dacă este prezent, închideți pârghia sau strângeți mânerul de pe platoul pentru produse.

## ÎNȚEȚINERE

### Ascuțirea lamei

Frecvența și durata ascuțirii de-

pinde de utilizarea mașinii.

 **ATENȚIE! Lamă ascuțită, pericol de tăiere!**

Când lama nu este acoperită de protecție, țineți mâinile cât mai departe posibil de zona neprotejată.

Pentru ascuțirea lamei, urmați instrucțiunile în funcție de model:

VOLANO 12 RED (Fig. 6)

- Curățați lama îndepărtând reziduurile de grăsime

- Asigurați-vă că protecția acoperă adecvat lama

- Îndepărtați platoul de produse de pe lamă


- Ridicați dispozitivul de ascuțire și rotiți-l 180°

- Coborâți dispozitivul de ascuțire cu grijă, lama se va centra automat între cele două discuri de rectificat

- Apăsăți butonul (B) circa 10-15 secunde și rotiți simultan volanta. Eliberați butonul (B), apăsați butonul (C) timp de 2-3 secunde și eliberați-l.

- Întrerupeți rotația volantei

- Doar atunci când lama este oprită, re poziționați dispozitivul de ascuțire în poziția originală și înșurubați butonul.

 **ATENȚIE** risc de deteriorare! Nu prelungiți excesiv operațiunea de debavurare pentru a evita deteriorarea lamei.

Lubrifiere (Fig. 7)

Vărsați câteva picături de ulei pe bară (1) și în îmbinarea mânerului de reglare a grosimii feliei (2); Vărsați câteva picături de ulei în găuri (3 și 4);

Vărsați câteva picături de ulei în îmbinarea dintre volantă și corpul mașinii de feliat (5);

Acționați scurt volanta.


Pentru lubrifiere, utilizați doar ulei non acid (vă recomandăm ulei de vaselină). Nu folosiți uleiuri vegetale.

## ASISTENȚĂ

Nu sunt furnizate piese de schimb în interiorul ambalajului. Toate activitățile de reparații și înlocuire (înlocuirea sau reparația lamei, curelei, componentelor electrice, pieselor structurale, etc.) trebuie desfășurate exclusiv de personal autorizat de producător.

Dacă este necesară reparația, se recomandă să duceți mașina la producător sau un centru de service autorizat.

Pentru informații privind centrele de service, consultați [service@berkelinternational.com](mailto:service@berkelinternational.com).

 **ATENȚIE! Este obligatorie înlocuirea lamei când distanța dintre tăișul acesteia și marginea internă a protecției depășește 6 mm.**

## GARANȚIE ȘI RĂSPUNDERE

Producătorul furnizează mașini cu o garanție de 24 de luni de la data achiziției. Garanția acoperă doar defectiunile cauzate ca urmare a utilizării adecvate conform condițiilor de folosire prevăzute în manual. Garanția nu acoperă alte defecte datorate transportului, incompetenței sau neglijenței cumpărătorului, instalării sau amplasării inadecvate, daunelor de uzură, tensiunii care depășește 10% din valoarea nominală. În plus, garanția nu acoperă componentele supuse intrinsec uzurii, precum lama și discurile de rectificat ale dispozitivului de ascuțire, cu excepția unui defect de

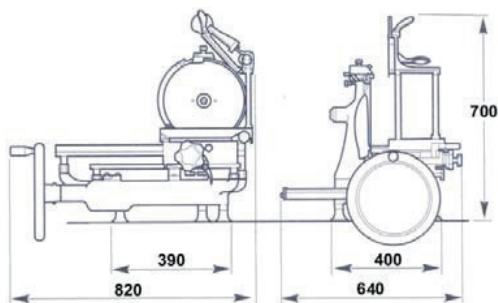
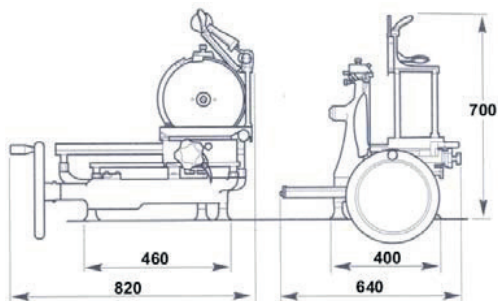
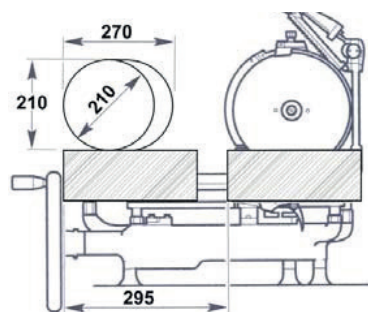
producție evident.

Producătorul își declină orice răspundere directă sau indirectă derivată din:

- nerespectarea instrucțiunilor din manual;
- utilizarea neconformă cu standardele din țara de instalare;
- modificările și/sau reparațiile neautorizate la mașină;
- utilizarea accesoriilor și a pieselor de schimb neoriginale;
- evenimente excepționale.

Transferul de proprietate a mașinii presupune exonerarea imediată de orice răspundere din partea producătorului. Plăcuța de identificare de la baza mașinii indică producătorul, mașina, informațiile tehnice.

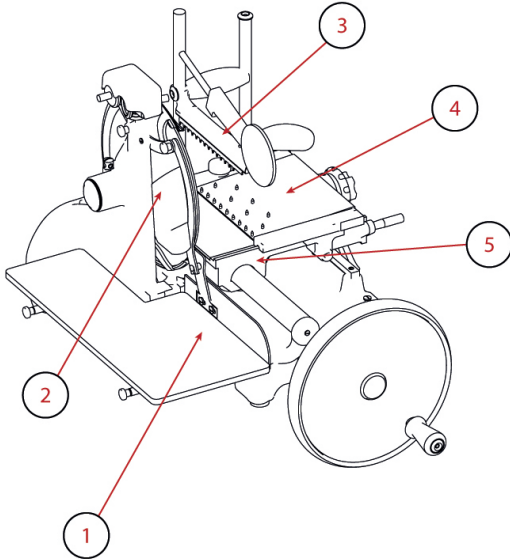
VOLANO 12 RED



SPECIFICAȚII		
Capacitate de tăiere circulară	210 mm	
Capacitate de tăiere rectangulară	270x210 mm	
Grosime maximă felie	1,5 mm	
Diametru lamă	300 mm	
Greutate	44 Kg	

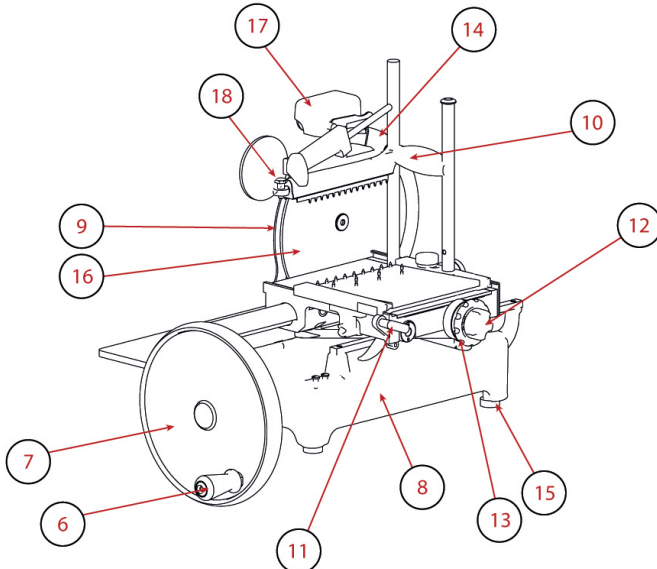
## NÁVOD NA POUŽITIE: MANUÁL KRÁJAČA SO ZOTRVAČNÍKOM

MODEL:  
VOLANO 12 RED



## ČASTI STROJA

1. Zberná doska
2. Kryt plátkov
3. Prítlačný prvok
4. Nosná doska
5. Suport
6. Manipulačná rukoväť kotúča
7. Kotúč
8. Základňa
9. Kryt noža
10. Zvislý posun prítlačného prvku
11. Páčka pre rýchly posun hornej dosky
12. Kolesko pre posun hornej dosky
13. Regulácia hrúbky plátku
14. Kryt noža
15. Oporná nôžka
16. Nôž
17. Brúsik



Obr. 1

## POPIS

Manuálny krájač so zotrvačným vybavením kotúčovou čepeľou, vhodný len pre krájanie potravinárskych produktov jednotlivých typov v rámci rozmerových možností uvedených v tejto príručke. Hlavné časti, ktoré tvoria zariadenie sú znázornené na obrázku 1.

## BEZPEČNOSŤ

Stroje popísané v tomto návode sú v súlade s najnovšími európskymi hygienickými a bezpečnostnými normami.

Venujte pozornosť nasledujúcim základným bezpečnostným opatreniam:

- Pred použitím si prečítajte všetky pokyny;
- Tento produkt nie je určený na používanie deťmi;
- S prístrojom pracujte iba za predpokladu dôkladného preškolenia v perfektnej psychickej i fyzickej kondícii;
- Nepoužívajte krájač iným spôsobom, než je uvedený v tomto návode;
- Používajte krájač iba v plne štruktúrne, mechanické a systémove efektívne;
- Zariadenie inštalujte v súlade s pokynmi uvedenými v kapitole „Inštalácia“;
- Zariadenie inštalujte na mieste mimo dosahu nepovolovaných osôb, najmä mimo dosahu detí a mladistvých;
- Počas používania zostaňte vysoko koncentrovaný a vyvarujte sa rozptyľovaniu;
- Nenechajte krájač používať ďalšie osoby, ktoré si nenaštudovali obsah tejto príručky;
- Počas krájania nenoste voľné oblečenie ,alebo oblečenie s voľnými rukávmi;
- Nedovoľte nikomu ďalšiemu,

okrem obsluhy, priblížiť sa k prístroju počas procesu krájania;

- Neodstraňujte, nezakrývajte ani neupravujte značky umiestnené na tele prístroja a v prípade ich poškodenia ich okamžite vymeňte;

- Neodstraňujte, neupravujte ani neobchádzajte žiadne mechanické ochranné zariadenia;
- Krájajte len povolené produkty, nepoužívajte zakázané typy iných produktov;

- Krájač, okolitú pracovnú plochu i podlahu udržiavajte vždy v čistote a suchu;

- Krájač nepoužívajte ako odkladaciu plochu a nekladte naň žiadne iné objekty ako potraviny, ktoré je potrebné nakrájať;

- Nepoužívajte krájač, pokiaľ v dôsledku bežného opotrebovania je vzdialenosť medzi okrajom čepele a ochranným krúžkom čepele 6 mm. V tomto prípade kontaktujte výrobcu ,alebo jedného z autorizovaných servisných centier pre výmenu čepele;

- V prípade poškodenia, abnormálnej prevádzky, podozrenie na poruchu, nesprávneho pohybu, alebo neobvyklých zvukov, okamžite zastavte stroj;

- Počas čistenia a údržby používajte ochranné rukavice;

- Kladte a odoberajte produkty, ktoré majú byť nakrájané, iba na posuvnú dosku s vozíkom úplne stiahnutým a položte ochranu čepele do bezpečnej polohy;

- K rozhybaniu dosky používajte počas krájania iba zotrvačník;

- Počas krájania nikdy nekladte ruky na krájané potraviny. Vždy držte ruky čo najďalej od čepele;
- Používanie krájacieho príslušenstva, ktoré nebolo dodané výrobcom spolu s prístrojom, je zakázané.

Výrobca odmieta akúkoľvek zodpovednosť vychádzajúcu z

nesprávneho používania, úprav a / alebo opráv vykonávaných užívateľom ,alebo neoprávnenou osobou, použitie náhradných dielov, ktoré nie sú originálne, alebo nie sú špecifické pre daný model stroja.

Podmienky používania:


- Teplota od -5° C do + 40° C
- Maximálna vlhkosť 95%

NEKRÁJAJTE:

- Zmrznuté potravinárske produkty;
- Potravinárske produkty s kosťou;
- Zeleninu vo všeobecnosti;
- Akýkoľvek iný výrobok, ktorý nie je určený na použitie v potravinách.

### Zostávajúce riziká

Hoci bezpečnostný krúžok okolo ostria chráni obsluhu pred náhodným kontaktom s čepeľou, aby bolo možné ďalšie brúsenie čepele, nemusí ochrana v oblasti ostrenia úplne eliminovať riziko porezania.

 **POZOR: počas čistenia a brúsenia čepele venujte zvýšenú pozornosť, aby sa Vaše ruky držali čo najďalej od nechránenej oblasti. Odporúčame použiť ochranné rukavice.**

### INŠTALÁCIA KRÁJAČA

Prístroj inštalujte na rovný, hladký a suchý povrch vhodný pre udržanie hmotnosti prístroja vč.váhy krájaných produktov. Odporúčaná výška pracovnej plochy je cca 80 cm. Opatrne navihnite prístroj a vložte všetky nožičky do príslušných základných otvorov. Pri niektorých modeloch možno predné oporné nôžky odskrutkovať a umiesť


tníť do požadovanej polohy v závislosti od hĺbky pracovnej plochy.

Aby nedošlo k poškodeniu, niektoré modely sú počas prepravy zabalené s nenamontovaným kotúčom zvlášť.

Ak nie je kotúč obdržaného stroja namontovaný, postupujte podľa pokynov:

- vložte kotúč na hriadeľ a skontrolujte, či zodpovedajú otvory objímka kotúča – hriadeľ (Obr. 3-A)

- vložte do objímky kónický kolík so zúženým koncom (menší priemer) orientovaným smerom k objímke (Obr. 3-B)

 **POZOR!** Ak je kolík umiestnený správne, zasunie sa takmer bez použitia sily

- pre úplné vsunutie kolík zatlačte.

## POUŽÍVANIE

- Skontrolujte, či je nôž dobre chránený krytom noža:

- s použitím blokovacej páčky chrániča noža, ak je súčasťou prístroja (obr.)

- uistením sa o tom, že je rukoväť na reguláciu hrúbky v bezpečnostnej polohe (v polohe "0") (13);

- Ak je rukoväť sklopená smerom ku kotúču, zdvihnite ju do pracovnej polohy, kolmo ku kotúču;

- Použite rukoväť zotrvačníka, otočte zotrvačníkom (7) tak, aby sa vozík (5) úplne presunul vpred (smerom k obsluhu);

- Krájaciú dosku (4) zaistíte (od čepele) použitím rýchlostnej zálohy zariadení dosky (12);

- položte výrobok, ktorý sa chystáte narezať, na nosnú dosku;


- uchopte rukoväť na zvislý posun prítlačného prvku a zatlačte ju na výrobok;

- uchopte rukoväť ramena prítlačného prvku a prítlačte ho

silou na výrobok, aby sa zablokoval;

- nastavte požadovanú hrúbku plátku súčasným otočením rukoväte a vyberte hrúbku;

- prísuňte posúvaciu dosku s potravinou (smerom k čepeľi), použite rýchlostnú zálohu zariadenia dosky (11) alebo zálohu mechaniky dosky (12);


 **POZOR!** Nechajte medzi nožom a výrobkom medzery 0,5 až 1 cm.

- Odstráňte z noža kryt v závislosti od modelu: a) Ak je ňou prístroj vybavený, zatiahnite za blokovaciu páčku smerom k obsluhu a otočte ňou proti smeru hodinových ručičiek; b) uvoľníte blokovacie koliesko krytu noža, potiahnite zaň smerom k obsluhu a opätovne koliesko utiahnite, aby sa kryt noža zablokoval v pokojovej polohe (s odkrytým nožom);

 **POZOR Ostrý nôž, nebezpečenstvo porezania!**

Ak nôž nie je chránený krytom, veľmi pozorne dbajte na to, aby ste udržiavali ruky čo možno najďalej od nechráneného priestoru.

- Uvedte kotúč do chodu jeho otočením v smere hodinových ručičiek;


 **POZOR!** Nikdy zotrvačník neotáčajte protismeru hodinových ručičiek, opačný chod zotrvačníka môže vážne poškodiť prístroj

- Pri spätnom pohybe (smer na obsluhu) sa posuvná doska automaticky posunie smerom k čepeľi;

- Akonáhle posuvná doska dosiahne limit v posune smerom k čepeľi, zanechajte krájanie a zdvihnite hornú svorku. Použite rýchlostnú zálohu zariadenia dosky alebo zálohu mechaniky dosky k odtiahnutiu posuvnej dosky od čepele. Premiestni-

te produkt, znovu uzamknite hornu svorkou a znovu začnite krájať;

- Odstráňte výrobok vykonaním príslušných úkonov v opačnom slede

 **POZOR, nebezpečenstvo porezania!** Po dokončení krájania otočte páčku v opačnom smere: ochranný krúžok prekryje nôž, čím dôjde k odstráneniu rizika porezania. .

## ČISTENIE

Prístroj čistíte aspoň raz denne alebo aj častejšie - ak je nevyhnutné - a vždy pred použitím po dlhšej dobe nečinnosti. Používajte ochranné rukavice proti porezaniu, odolné pretrhnutiu, a všetky operácie vykonávajte s veľkou opatrnosťou.

Čistiace produkty:

používajte iba vodu a biologicky odbúrateľný jemný čistiaci prostriedok s pH 7-8, mäkkú handričku alebo hubku a polotuhou nylonovou kefu na ostré oblasti dosky a držiak výrobku. Prístroj neumývajte prúdom vody, parou alebo podobnými metódami.

## DEMONTÁŽ


- Skontrolujte, či kryt patrične pokrýva nôž (9)

- Ručne odskrutkujte blokovaciu skrutku krytu plátok a odstráňte ju.

- Vytiahnite vaničku

- Odstráňte nosnú dosku otočením blokovacej páčky proti smeru hodinových ručičiek, zdvihnite ju a vytiahnite.


- Vyberte zbernú dosku. Ak je doska zablokovaná dvomi bočnými čapmi, pred vybratím dosky je najskôr uvoľnite.

 **POZOR** u niektorých modelov zatlačte dosku


vpred pred jej nadvihnutím nazdvedáváním vrchným upínacím ramenom.

## ČISTENIE

- Čepel: stlačte vlhkú handričku na povrchu čepele a pomaly utrite zo stredu smerom von k strane krytu ostrie a na opačnú stranu. Rovnakým spôsobom osušte suchou handričkou;

 **POZOR!** Nikdy v priebehu čistenia čepele nespúšťajte zotrvačnik.

- Bezpečnostný krúžok: použite jemný kefu na očistenie priestoru medzi čepelou a bezpečnostným krúžkom;

 **POZOR Ostrý nôž, nebezpečenstvo porezania!**

Ak nôž nie je chránený krytom, veľmi pozorne dbajte na to, aby ste udržiavali ruky čo možno najďalej od nechráneného priestoru.

- Telo stroja: použite vlhkú handričku alebo špongiu. Starostlivo osušte.

## ZMONTOVANIE


- Skontrolujte, či ochrana čepele riadne zakrýva ostrie (9);

- Položte táčku na prebytky do jej špecifickej pozície;

- Uzavrite deflektor krájania;

- Použitím rukoväte zotrvačnika otočte zotrvačnik (7) tak, aby sa posuvná doska pohla úplne dopredu (smerom k užívateľovi) (4);

- Vertikálnym pohybom od vrchu nadol umiestnite dosku do jej pozície.

 **POZOR!** u niektorých modelov je nutné po vložení posuvnej dosky ju zatlačiť vpred, aby sa zabezpečila bezpečná preprava. Ak je ňou prístroj vybavený, zatvorte páčku alebo zatiahnite rukoväť na nosnej doske.

## ÚDRŽBA

### Brúsenie čepele

Frekvencia a trvanie ostrenia záleží na užívaní stroja.

Pri brúsení postupujte podľa pokynov v závislosti od modelu:

VOLANO 12 RED (Obr. 6)

- Vyčistite nôž a odstráňte z neho zvyšky tuku

- Skontrolujte, či kryt patrične pokrýva nôž

- Posuňte nosnú dosku preč od noža


- Zdvihnite brúsik a otočte ním o 180°

- Opatrne brúsik spustite, nôž sa automaticky vycentruje medzi dvoma pružinami

- Stlačte tlačidlo (B) na cca 10-15 sekúnd a zároveň otočte kotúčom. Uvoľnite tlačidlo (B), stlačte na 2 - 3 sekundy tlačidlo (C) a potom ho uvoľnite.

- Prerušte rotáciu kotúča

- Až keď sa nôž zastavil, brúsik umiestnite do pôvodnej polohy a zatiahnite koliesko.

 **POZOR!** Nepredlžujte zbytočne (dlhšie ako 2-3 sekundy) proces odstraňovania otrepov, aby sa zabránilo poškodeniu čepele.

MAZANIE (Obr. 7)

- Nakvapajte pár kvapiek oleja do spoja tyčky (1) a gombíka pre reguláciu sily plátku (2);

- Nakvapajte pár kvapiek oleja do otvorov (3 a 4);

- Nakvapajte pár kvapiek oleja na spoj zotrvačnika do konštrukcie (5);


- Krátko aktivujte zotrvačnik.

Pre mazanie používajte iba olej bez kyselín (odporúčam ako vazelína). Nepoužívajte rastlinný olej.

## SERVIS

Vo vnútri prístroja sa nenachádzajú žiadne užívateľsky opravitelné súčasti. Výrobok zverte kvalifikovaným pracovníkom. Všetky opravy a výmeny (ako napríklad výmena čepele, opravy konštrukčných dielov, opravy a / alebo opätovné umiestnenie komponentov a pod.) Musia byť vykonané osobou poverenou výhradne výrobcom.

Ak je potrebné vykonať servis, môžete krájač vrátiť výrobcovi alebo ho odovzdať jednému s autorizovaných servisných centier. Pre informácie o servise nás kontaktujte na [service@berkelinternational.com](mailto:service@berkelinternational.com).

 **POZOR! Výmena čepele je povinná, ak presahuje vzdialenosť medzi okrajom čepele a vnútorným okrajom krytu 6 mm.**

## ZÁRUKA A ZODPOVEDNOSŤ

Výrobca dodáva prístroj s obmedzenou zárukou 24 mesiacov od dátumu nákupu. Záruka sa vzťahuje len na chyby vzniknuté za podmienok určeného použitia, počas správnej manipulácie. Záruka sa nevzťahuje na chyby vzniknuté spôsobom dopravy, nedbalosťou kupujúceho, nesprávnou inštaláciou, neoprávnenými zásahmi, alebo v prípade prirodzeného opotrebenia, alebo pri kolísaní napätia vyšším ako 10% menovanej hodnoty. Okrem toho sa záruka nevzťahuje na komponenty podliehajúce opotrebovaniu, ako sú napríklad čepele a brúsky s výnimkou zjavné výrobné chyby.

Výrobca odmieta akúkoľvek priamu aj nepriamu zodpovednosť vyplývajúcu z:

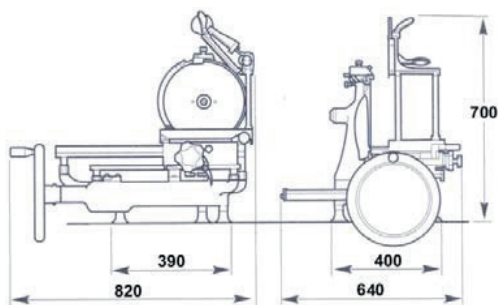
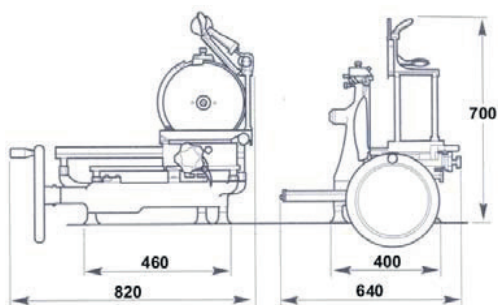
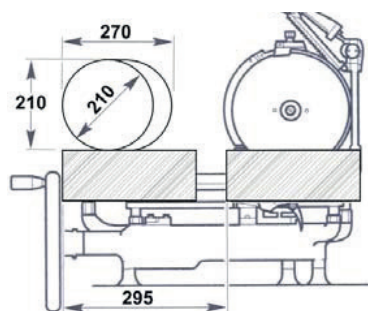
- Nedodržania pokynov uve-

dených v tomto návode na obsluhu;

- Používanie, ktoré nie je v súlade so špecifickými predpismi krajiny inštalácie;
- Neautorizované modifikácie a / alebo opravy vykonávané na prístroji;
- Použitie neoriginálneho príslušenstva a náhradných dielov;
- Mimoriadnych udalostí.

Prevod vlastníctva prístroje automaticky zbavuje výrobcu zodpovednosti za príslušný prístroj. Identifikačný štítok zospodu dosky označuje výrobcu, prístroj a technické informácie.

**VOLANO 12 RED**

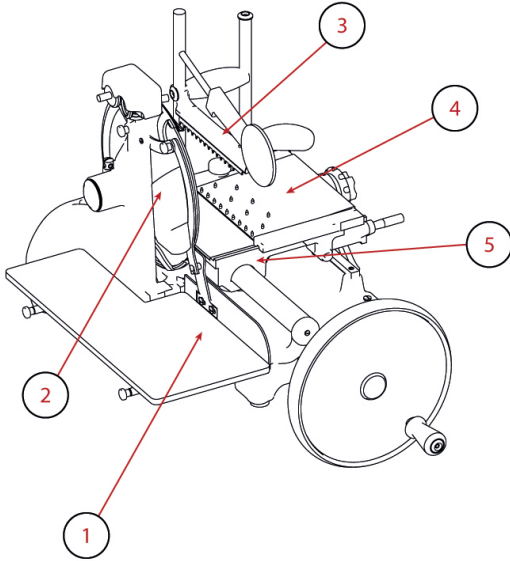


**ŠPECIFIKÁCIE**

Výkon pri kruhovom rezaní	210 mm	
Výkon pri obdĺžnikovom rezaní	270x210 mm	
Maximálna hrúbka plátky	1,5 mm	
Priemer noža	300 mm	
Hmotnosť	44 Kg	

## BRUKSANVISNING: MANUELL SKÄRMASKIN MED SVÄNGHJUL

MODELLER:  
VOLANO 12 RED



## MASKINDELAR

1. Uppsamlingsplatta
2. Skivskydd
3. Produktpress
4. Produkthållarplatta
5. Vagn
6. Manöverhandtag svänghjul
7. Svänghjul
8. Sockel
9. Klingskydd
10. Produktpressens vertikala glidning
11. Spak för snabb frammatning av den övre plattan
12. Vred för frammatning av övre platta
13. Justering av skivans tjocklek
14. Klingskydd
15. Stödfot
16. Klinga
17. Sliptillsats

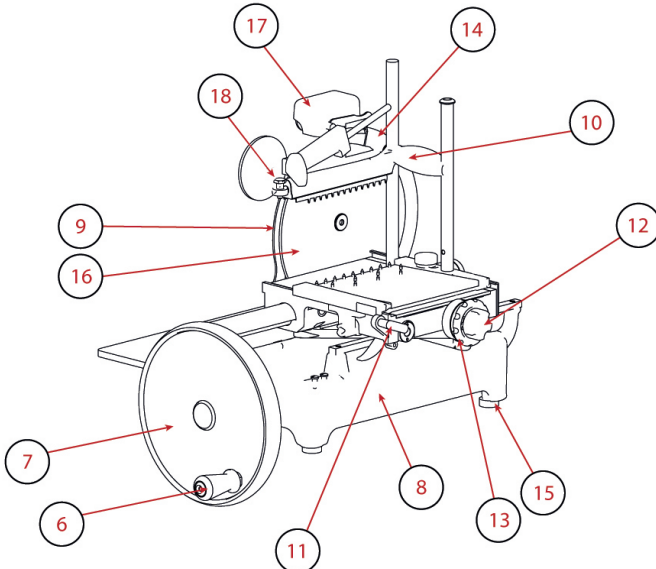


Bild. 1

## BESKRIVNING

---

Skärmaskiner med svänghjul och cirkelformad klinga. Maskinerna är framställda för att skära enbart sådana livsmedel vars typ och storlek finns angivna i denna bruksanvisning. I bild 1 visas maskinens huvudsakliga beståndsdelar.

## SÄKERHET

---

Maskinerna som finns beskrivna i denna bruksanvisning följer de senaste kraven i europeiska standarder gällande hygien och säkerhet.

För er säkerhet ber vi att ni följer nedanstående anvisningar:

- Läs noggrant igenom alla anvisningar innan ni använder maskinen;

- produkten är inte avsedd att användas av barn;

- den person som använder maskinen ska ha fått lämplig utbildning och vara i god psykisk och fysisk form;

- använd inte maskinen på något sätt som skiljer sig från beskrivningen i denna bruksanvisning;

- installera maskinen i enlighet med anvisningarna i avsnittet 'installation';

- installera maskinen på en plats där den är utom räckhåll för personer som inte är bekanta med hur den ska användas, och framför allt på en plats utom räckhåll för minderåriga;

- var alltid koncentrerad när du använder maskinen och undvik att distraheras av annat;

- låt inte någon som inte läst och förstått allt innehåll i denna bruksanvisning använda maskinen;

- bär inte löst sittande kläder eller kläder med öppna ärmar;
- låt inte någon närma sig

maskinen medan produkten skärs;

- det är förbjudet att ta bort, täcka eller ändra plåtarna som sitter på maskinstommen. Om de skadas ska de omedelbart bytas ut;

- avlägsna inte skydden, och ändra eller frånkoppla inte de mekaniska skydden;

- skär endast tillåtna livsmedel. Försök inte att skära produkter som är förbjudna;

- området där den skivade produkten placeras, arbetsområdet runt maskinen och golvet användaren står på ska alltid vara rena och torra;

- använd inte maskinen som en stödyta och placera inga föremål som inte hör hemma under normala skivningsarbeten på den;

- använd inte skärmaskinen när mellanrummet mellan klinga och klingskydd på grund av normalt slitage överskrider 6 mm. Om det inträffar ska man kontakta ett behörigt servicecenter för att byta ut klingan;

- stoppa omedelbart maskinen och kontakta behörig servicepersonal om du upptäcker en felfunktion, om du misstänker att maskinen är sönder, om den gör felaktiga manövrer eller ger ifrån sig ovanliga ljud, etc.;

- använd alltid handskar som skyddar mot skär- och rivsår under rengörings- och underhållsarbete;

- när man placerar eller tar bort produkten som ska skivas på/från glidplattan ska plattan alltid vara i helt tillbakadraget läge (bort från klingan) och vagnen förd mot användaren;

- använd alltid svänghjulet för att flytta plattan fram och tillbaka under skärningen;

- Rör aldrig produkten med händerna under skärningen.

Håll alltid händerna på avstånd från klingan;

- det är inte tillåtet att använda skärningstillbehör som inte levererats av maskinens tillverkare.

Tillverkaren fransäger sig allt ansvar för felaktig användning, ändringar och/eller reparationer som utförts av användaren eller obehörig personal, användning av reservdelar som inte är i original eller inte specifika för den aktuella maskinmodellen.

Miljömässiga förhållanden under drift:

- Temperatur mellan -5°C och +40°C

- Maximal fuktighet 95%

SKIVA INTE:

- frysta livsmedel;

- djupfrysta livsmedel;

- livsmedel med ben (kött och fisk);

- alla andra produkter som inte är livsmedel.

### Kvarvarande risker

Skyddsringen runt klingan skyddar operatören mot oavsiktlig kontakt med klingan, men för att möjliggöra slipning kan skyddet inte helt eliminera risken att skära sig.



**OBSERVERA!** Under rengöring eller slipning av klingan ska man vara mycket uppmärksam och hålla händerna på så långt avstånd från det oskyddade området som möjligt. Vi rekommenderar att man bär skyddshandskar.

### INSTALLATION

---


Om man inte använder underredet (tillval) ska man installera maskinen på en jämn, torr

yta som tål att belastas med maskinens vikt plus vikten på de varor som ska skivas. Kontrollera att det inte finns något som hindrar svänghjulets rörelse, vagnens slaglängd eller matning av de varor som ska skivas. Rekommenderad höjd på arbetsbordet är cirka 80 cm. Lyft försiktigt upp maskinen och sätt på stödfötterna i gumi på respektive plats på stommen. På vissa modeller kan de främre stödfötterna lossas och sättas på önskad plats beroden på arbetsbordets djup.

För att undvika skada under transporten förpackas vissa modeller med svänghjulet nedmonterat. Om maskinen levereras med svänghjulet nedmonterat ska man följa nedanstående anvisningar:

- för på svänghjulet på axeln och kontrollera att hålen på svänghjul-axel stämmer överens (Bild. 3-A)

- sätt in stiftet i hylsan med den smalare änden (den med minst diameter) vänd mot själva hylsan (Bild. 3-B)

 **OBSERVERA!** Om stiftet är korrekt placerat kommer det att föras in nästan hela vägen, utan att man behöver forcera det

- banka på stiftet tills det förts in hela vägen.

## ANVÄNDNING

- Kontrollera att klingskyddet skyddar klingan ordentligt: använd i förekommande fall spaken för att låsa klingskyddet (Bild. 4); kontrollera att tjockleksvredet är ställt till säkert läge (läge "0") (13);

- Om vredet är vänt mot svänghjulet ska det höjas till driftposition, i rät vinkel mot svänghjulet;

- Aktivera svänghjulet (7) och för vagnen (5) till läge helt framåt (mot användaren);


- dra tillbaka produkthållarplattan (4) (bort från klingan) med hjälp av systemet för snabb frammatning (12);

- placera livsmedlet som ska skivas på produkthållarplattan - ta tag i handtaget som används för att förflytta pressen i vertikal riktning och tryck det mot produkten;


- ta tag i handtaget på pressens arm och tryck det mot produkten så att den blockeras;

- ställ in önskad skivtjocklek genom att vrida vredet och välja tjocklek;


- för produkthållarplattan närmre klingan med hjälp av systemet för snabb frammatning av plattan (11) eller frammatningssystemet (12);

 **OBSERVERA!** Lämna ett fritt utrymme på mellan 0,5 och 1 cm mellan klinga och produkt.

- Ta ut klingan från skyddet, beroende på modell: a) odet finns en låsspak ska man dra den mot sig och vrida i moturs riktning; b) lhandtaget som låser fast klingskyddet, dra det i riktning mot användaren och dra därefter åt handtaget igen så att klingskyddet blockeras i viloläge (klingan är frigjord);

 **OBSERVERA** Vass klinga, risk att skära sig! När klingan inte täcks av skyddet ska man vara mycket noggrann med att hålla händerna så långt bort från det oskyddade området som möjligt.

- Aktivera svänghjulet genom att rotera det i medurs riktning;


 **OBSERVERA** risk för skada! Vrid inte vagnens svänghjul i motsatt riktning eftersom det kan skada maski-

nen allvarligt.

- när vagnen går tillbaka (mot användaren) aktiveras den mekaniska anordning som ser till att den övre plattan matas fram i tvärriktningen mot klingan;

- När produkthållarplattan matats fram så långt det går mot klingan ska man stanna och höja pressen. Använd systemet för frammatning av plattan eller systemet för snabbmatning för att föra plattan bort från klingan. Placera om produkten, blockera den på nytt med hjälp av pressen och börja skiva igen;

- Lasta av produkten genom att utföra momenten i omvänd ordningsföljd

 **OBSERVERA** risk att skära sig! När skärningen avslutats ska man vrida spaken i motsatt riktning: skyddsringen placeras ovanför klingan och situationen är inte längre farlig.

## RENGÖRING

Maskinerna måste rengöras noggrant efter användning. Efter en period när maskinen inte använts måste den rengöras även innan användning. Använd handskar som skyddar mot skär- och rivsår och var mycket uppmärksam under hela arbetet.

Rengöringsprodukter:

använd endast vatten med en mjuk och svampig trasa, och eventuellt en flaskborste av nylon för plattan och pressen. Rengör aldrig maskinen med vatten- eller ångstrålar eller liknande metoder.

## NEDMONTERING

- Kontrollera att skyddet täcker klingan (9) som det ska

- Lossa skivskyddet för hand och ta sedan bort det.

- Ta bort brickan

- Ta bort produkthållarplattan genom att vrida låsspaken i moturs riktning, lyfta upp plattan och ta bort den.

- Dra ut uppsamlingsplattan. Om plattan blockerats med hjälp av två stift på sidorna ska man lossa dem innan man drar ut plattan.

**!** **OBSERVERA!** På vissa modeller ska man trycka fram produkthållarplattan innan man höjer en tillsammans med produkthållaren.

## RENGÖRING

- klinga: tryck en mjuk trasa mot klingan och för trasan försiktigt från mitten och utåt, som på bilden, både på sidan med klingskyddet och den andra sidan. Torka efter på samma sätt med en torr trasa;

**!** **WARNING!** Aktivera aldrig skärmaskinen medan klingan rengörs.

- skyddsring: använd en flaskborste i nylon för att rengöra området mellan klingan och skyddsringen;

**!** **OBSERVERA Vass klinga, risk att skära sig!** När klingan inte täcks av skyddet ska man vara mycket noggrann med att hålla händerna så långt bort från det oskyddade området som möjligt.

- maskinstomme: rengör maskinstommen med en fuktig trasa eller en svamp och skölj med vatten. Torka noggrant.

## ÅTERMONTERING

- Kontrollera att skyddet täcker klingan (9) som det ska;  
- Sätt tillbaka brickan på plats;  
- Stäng skivskyddet;  
- Använd svänghjulets vred för

att rotera svänghjulet (7) tills den glidande produkthållaren (4) förs till läge helt framåt (mot användaren);

- Återställ produkthållaren till ursprungsläget genom en vertikal förflyttning uppifrån och ned.

**!** **OBSERVERA:** för vissa modeller måste man trycka fram produkthållaren för att fästa den till stödet efter att man satt den på plats. I förekommande fall ska man stänga spaken eller dra åt produkthållarplattans vred.

## UNDERHÅLL

### Slipning av klinga

Hur ofta och hur mycket man måste slipa beror på användningen.

**!** **OBSERVERA Vass klinga, risk att skära sig!**

När klingan inte täcks av skyddet ska man vara mycket noggrann med att hålla händerna så långt bort från det oskyddade området som möjligt.

För att gå vidare till slipning ska man följa anvisningarna för aktuell modell:

### VOLANO 12 RED (Bild. 6)

- Rengör klingan genom att ta bort rester av fett

- Kontrollera att skyddet täcker klingan som det ska

- För produkthållarplattan längre bort från klingan

- Høj sliptillsatsen och vrid den 180°

- Sänk sliptillsatsen försiktigt. Klingan kommer automatiskt att centreras mellan de båda slipstrissorna

- Tryck på knappen (B) under cirka 10-15 sekunder och rote-

ra samtidigt svänghjulet. Släpp upp knappen (B) och tryck in knappen (C) under 2-3 sekunder och släpp den sedan.

- Sluta rotera svänghjulet

- Först när klingan är stilla ska man återställa sliptillsatsen till ursprungsläget och dra åt handtaget.

**!** **OBSERVERA: Risk för skada!** Låt inte slipningen pågå för länge (inte mer än 2-3 sekunder) eftersom klingan annars kan skadas.

### Smörjning (Fig. 7)

- Häll några droppar olja på stången (1) och i fogen på tjockleksvredet (2);

- Häll några droppar olja i hålen (3 och 4);

- Häll några droppar olja i fogen mellan svänghjulet och skärmaskinens stomme (5);

- Aktivera svänghjulet en kort stund.


Använd uteslutande syrafri olja för smörjningen (vi rekommenderar eller vaselinolja). Använd inte vegetabilisk olja.

## SERVICE

Det finns inga reservdelar inne i förpackningen. Alla reparationer och byten (som exempelvis byte eller reparation av klingan, remmen, de elektriska komponenterna, delar av stommen, etc.) ska uteslutande utföras av tillverkarens behöriga personal.

Vid behov av reparation rekommenderar vi att man skickar tillbaka maskinen till tillverkaren eller till ett behörigt servicecenter.

För information om servicecenter ska man vända sig till [service@berkelinternational.com](mailto:service@berkelinternational.com).

 **OBSERVERA!** Klingan måste bytas ut när mellanrummet mellan klingans kant och skyddets inre kant överstiger 6 mm.

## **GARANTI OCH ANSVAR**

---

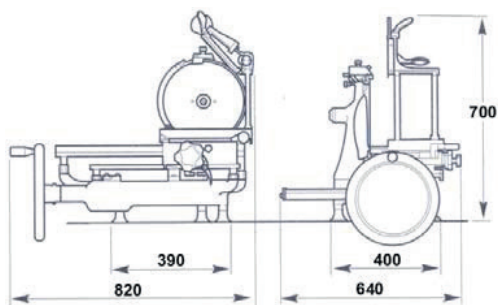
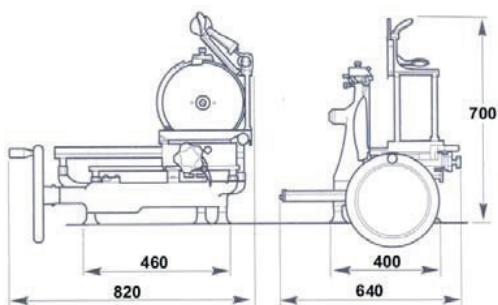
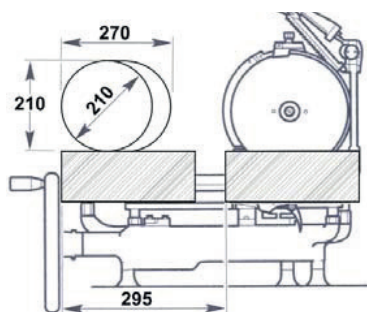
Tillverkaren lämnar 24 månaders garanti på maskinen med start från inköpsdatumet. Garantin täcker endast defekter som uppstått under korrekt användning i enlighet med de anvisningar som finns i bruksanvisningen. Garantin täcker inte defekter som orsakats under transport, av köparens inkompetens eller försummelse, en felaktig installation eller placering, av slitage eller vid strömvärden som överskrider det nominella värdet med 10% eller mer. Dessutom täcker inte garantin förbrukningskomponenter, som klingan eller slip-skivan, förutom i uppenbara fall av fabriktionsfel.

Tillverkaren avsäger sig allt direkt och indirekt ansvar för:

- att användaren inte följt anvisningarna i bruksanvisningen;
- användning som strider mot gällande föreskrifter i installationslandet;
- icke godkända ändringar och/eller reparationer på maskinen;
- användning av tillbehör eller reservdelar som inte är original;
- exceptionella händelser.

När äganderätten till maskinen överförs frigörs tillverkaren omedelbart från allt ansvar. På märkplåten som finns på maskinstommen återfinns tillverkare, maskininformation och teknisk information.

VOLANO 12 RED



SPECIFIKATIONER		
Kapacitet cirkelformad skärning	210 mm	
Kapacitet rektangulär skärning	270x210 mm	
Maximal skivtjocklek	1,5 mm	
Klingans diameter	300 mm	
Vikt	44 Kg	





5659 Royalmount Ave  
Montreal, QC, Canada H4P 2P9  
Tel: (514) 737-9701; (888) 275-4538  
[service@mvpgroupcorp.com](mailto:service@mvpgroupcorp.com)

12000 Biscayne Blvd, Suite #108  
Miami, FL, United States 33181  
Tel: (786) 600-4687; (844) 218-8477  
[service@mvpgroupcorp.com](mailto:service@mvpgroupcorp.com)

[www.mvpgroupcorp.com](http://www.mvpgroupcorp.com)