

UNIQUE[®]

APPLIANCES

== *Classic* ==
by UNIQUE

TOP MOUNT REFRIGERATOR

MODEL NUMBER : UNQ-FR7CT



UL US
LISTED
HOUSEHOLD
REFRIGERATOR / FREEZER
SA46158

OWNER'S GUIDE

serial number:

MAY25V1

TABLE OF CONTENTS

Important safety notes	3	Maintenance.....	15
Dimensions.....	5	Troubleshooting	17
Grounding instructions	6	Recommendations.....	20
Unpacking and cleaning	6	Wiring diagram	21
Installation instructions.....	7	Rating plate	22
Product features	9	Warranty	23
Operation	10	Appliance information	24
Features.....	12	Product registration	24
Food storage	13	Contact us	24
Cleaning and defrosting	15		

WELCOME

Congratulations! You have purchased one of the most efficient refrigeration products available on the market today. We are proud of our quality products and we believe in the dependable service we provide.

Before using the appliance, read through this manual carefully including all the information on safety, installation, operation, and cleaning. These guidelines do not cover every possible condition or situation that may occur. Be safe using common sense and caution when installing, operating and cleaning this appliance. If you are unsure about any of these instructions or warnings, contact your local product dealer or Unique Appliances for assistance.

NEED HELP?

Before you call for service, here are a few things you can do to help us serve you better.

Read this owner's manual carefully before installing and using your appliance: It contains instructions to help you use and maintain your appliance properly. We are not responsible for the damage occurred due to misuse.

Follow all instructions on your appliance and instruction manual, and keep this manual in a safe place to resolve any problems that may occur in the future.

Visit our website: Our website www.UniqueAppliances.com will give you access to self service tools, FAQs and much more.

If you receive a damaged appliance: Immediately contact the retailer that sold you the appliance.

Save time and money: Check the troubleshooting section at the end of this manual before calling. This section will help you solve common problems that may occur.

CALIFORNIA PROP 65 WARNING



This product can expose you to chemicals including Diisononyl Phthalate (DINP) which is known to the State of California to cause cancer.

For more information go to www.P65Warnings.ca.gov

IMPORTANT SAFETY NOTES

These warnings are provided in the interest of your safety. Please ensure that you understand them before installing or using this fridge. Your safety is of paramount importance. If you are unsure about any of these meanings or warnings, contact your local product dealer or Unique Appliances for assistance.

IMPORTANT: After transit where the fridge has been on its side or back, ensure that it is placed in a level, upright position for 12 hours to allow compressor fluids to redistribute evenly before use.

PRIOR TO INSTALLATION

At delivery, please check that the fridge is complete and has not been damaged during transport. It is not advised to connect an appliance that has been damaged, especially if there is damage to the electrical supply cable or refrigerant circuit. In the event of damage please contact your local product dealer or Unique Appliances for assistance.



DANGER

- Risk of fire or explosion. Flammable refrigerant used. Do not puncture refrigerant tubing.
- Ensure that servicing is done by factory authorized service personnel, to minimize product damage or safety issues.



WARNING

- Keep ventilation openings, in the appliance enclosure or in the built-in structure, clear of obstruction.
- Do not use mechanical devices or other means to accelerate the defrosting process, other than those recommended by the manufacturer.
- Do not use electrical appliances inside the food storage compartments of the appliance, unless they are of the type recommended by the manufacturer.
- When moving/positioning the appliance, ensure the supply cord is not trapped or damaged.
- Do not locate multiple portable socket-outlets or portable power supplies at the rear of the appliance.
- In order to avoid any hazards resulting from the instability of the appliance, it must be positioned in accordance with the instructions.



CAUTION

- While moving/positioning the appliance, do not damage the refrigerant circuit.
- Risk of fire or explosion - flammable refrigerant used. This appliance uses isobutane (R600a) refrigerant, a natural gas with a high level of environmental compatibility. As this refrigerant is flammable, take care to ensure that none of the components of the refrigerant circuit are damaged during transportation and installation.

If the refrigerant circuit is damaged:

- Avoid open flames and sources of ignition
- Thoroughly ventilate the room where the appliance is situated.
- Consult the owner's guide before attempting to service this product. All safety precautions must be followed. Service the fridge/freezer only if you are a trained or authorized refrigeration technician.
- Dispose of properly in accordance with federal or local regulations.
- Follow handling instructions carefully.

IMPORTANT

- Run the fridge for at least 4 hours empty before adding food to allow the interior to cool down properly.

IMPORTANT SAFETY NOTES

IMPORTANT

- This fridge is designed for domestic/household use only. It is only intended and suitable for the storage of edible/consumable food and drinks. It is not intended for commercial or industrial use. It is not suitable for commercial or common use and/or for storing substances except for food.
Our company is not responsible for any losses incurred by inappropriate usage of the appliance.
- Never use excessive force on the handle to open the door.
- If the room/ambient temperature approaches the fridge's operating temperature, AND/OR if the room/ambient temperature exceeds 43.3°C (110°F) the fridge may not function correctly.
- **This appliance is not intended for use at altitudes exceeding 1980 m/6500 ft.**

CHILD SAFETY

- Older children (8-14 years old) and vulnerable people can use refrigerator/freezer appliances safely after they have been given appropriate supervision or instruction concerning use of the appliance.
- Children aged 3 to 8 years are allowed to load and unload refrigerating appliances and can use the refrigerator/freezer appliance with supervision but should not be allowed to perform cleaning or user maintenance of the appliance.
- Very young children (0-3 years old) should not use the appliance.
- Do not allow children to play in, on or around the fridge. **THERE IS A DANGER OF SUFFOCATION IF A CHILD BECOMES TRAPPED INSIDE.** When the appliance is not in use, secure or remove the doors to prevent children from playing inside the cabinets.

DANGER

Risk of child entrapment. Before throwing away an old appliance:

- Remove the door or lid.
- Leave shelves in place so that children may not easily climb inside.
- Children should not use, clean and/or maintain the appliance without supervision.

DANGER OF SUFFOCATION: Keep children away from all packaging material.

This appliance is not intended for use by persons (including children) whose physical, sensory or mental capabilities may be different or reduced, or who lack experience or knowledge, unless such persons receive supervision or training to operate the appliance by a person responsible for their safety.

DISPOSING OF THE APPLIANCE

WARNING

The refrigeration system is under high pressure. Do not tamper with it. Contact qualified service personnel before disposal.

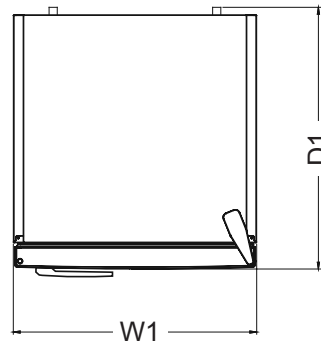
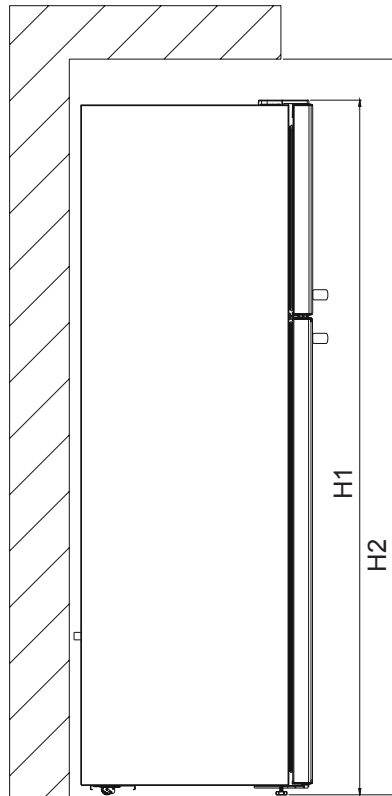
When disposing of your fridge, use an authorized disposal site. The refrigerant must be completely drained and collected by an authorized technician for recycling prior to disposal. Check with your local Environmental Agency for recommendations on recycling this appliance in your area. Before disposal remove the electrical connection wiring and also ensure that the doors are removed to prevent children from being trapped inside - **DANGER OF SUFFOCATION!**



This marking indicates that this product should not be disposed with other household wastes throughout North America. To prevent possible harm to the environment or human health from uncontrolled waste disposal, recycle it responsibly to promote the sustainable reuse of material resources.

DIMENSIONS

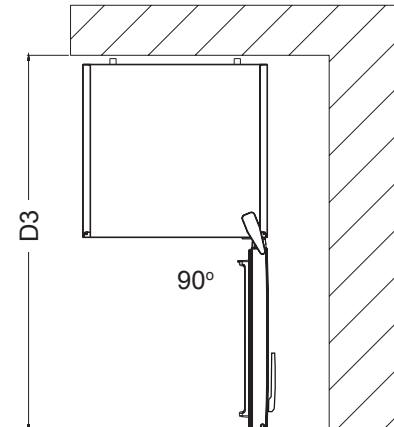
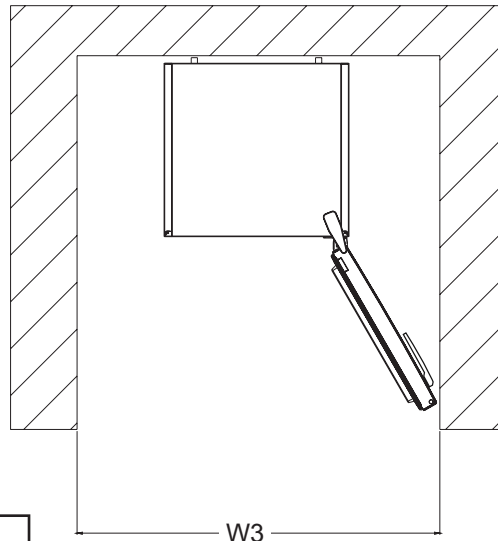
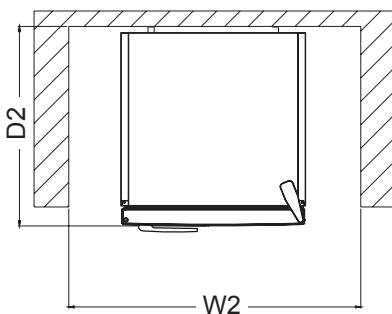
OVERALL DIMENSIONS



Overall dimensions ¹	
H1	58.94 inches / 149.7 cm
W1	21.65 inches / 55.0 cm
D1	23.82 inches / 60.5 cm

¹ the height, width and depth of the appliance including the handle

INSTALLATION AND IN-USE DIMENSIONS



Installation dimensions ²	
H2	64.84 inches / 164.7 cm
W2	25.59 inches / 65.0 cm
D2	24.21 inches / 61.5 cm

² the height, width and depth of the appliance including the handle, plus the space necessary for free circulation of cool air.

Overall In-Use dimensions ³	
W3	33.42 inches / 84.8 cm
D3	42.22 inches / 107.2 cm

³ the width and depth of the appliance including the handle, plus the space necessary to allow the door to open to the minimum angle to permit removal of all internal contents

GROUNDING INSTRUCTIONS

This appliance must be grounded. Grounding reduces the risk of electrical shock by providing an escape wire for the electrical current.

- A specially grounded, 3-prong plug has been connected to the power cable of your refrigerator. The power cord must be plugged into a properly grounded socket of at least 10 amperes. If there is no such socket in your house, or if the wall outlet is a 2-prong outlet, have the correct socket installed by an authorised electrician. The serial rating plate indicates the correct voltage and frequency for the appliance.
- **The operating voltage for your fridge freezer is 115-127 V at 60Hz.**
Before connecting your appliance, ensure that the information on the data plate (voltage and connected load) matches that of the main electricity supply. If in doubt, consult a qualified electrician.
- The appliance must be connected with a properly installed fused socket. The power supply (AC) and voltage at the operating point must match with the details on the name plate of the appliance (the name plate is located on the inside of the appliance).
- **We do not accept responsibility for any damages that occur due to ungrounded usage.**
- Installation work and adjustments on the appliance must be carried out by qualified personnel only. Work performed by persons with inadequate technical knowledge can adversely affect the performance of the appliance, and may cause damage to the equipment, and void the warranty.
- It is dangerous to make alterations or attempt to modify this product in any way. Product alterations will void the warranty.

WARNING

- Improper use of the grounding plug can result in a risk of electric shock.
- Consult a qualified electrician or service agent if the grounding instructions are not completely understood, or if doubt exists as to whether the appliance is properly grounded.
- Do not connect your appliance to extension cords, ungrounded (two prong) adapters, or together with another appliance in the same wall outlet.
- Do not splice the power cord.
- Do not under any circumstances cut or remove the third ground prong from the power cord.
- If the power supply cord is damaged, it must be replaced by the manufacturer, its service agent or similar qualified person in order to avoid hazard.

UNPACKING AND CLEANING

IMPORTANT: After transit where the fridge has been on its side or back, ensure that the fridge is in a level, upright position for 12 hours before connecting the appliance to a power source, as this will reduce the possibility of a malfunction in the cooling system from handling during transportation.

UNPACKING AND CLEANING

Remove all packaging and securing tapes from the appliance. To avoid injury and causing damage to the appliance, be extremely cautious when using sharp or pointed tools during unpacking. Keep children away from the packaging material - **DANGER OF SUFFOCATION!**

Wash the inside and outside of the appliance with lukewarm water and a mild soap or detergent. Abrasive or corrosive cleaning agents, steel wool, scouring sponges, or chemical cleaning agents should not be used under any circumstances. A sponge, soft brush or towel is recommended. After cleaning, thoroughly rinse and dry. You may want to leave the doors open allowing the compartments to ventilate for 20-30 minutes to get rid of residual odors. Check with your local Environmental Agency for recommendations on recycling packaging materials in your area.

INSTALLATION INSTRUCTIONS

POSITIONING THE APPLIANCE

The area in which the fridge is to be installed must be relatively cool, dry, and suitably ventilated. The area must be protected against any inclement weather (rain, snow) and excessive surface dust. To ensure proper function, the appliance must be placed on a flat, firm, and stable surface resting level on all four supports. The floor must be strong enough to support a fully loaded cabinet. Use wood or metal shims to level the fridge if necessary. Do not place the appliance in direct sunlight or near sources of heat, such as a stove or heater, as this can increase electrical consumption.

Extremely cold ambient temperatures may also cause the appliance to perform improperly.

Do not place the fridge close to heat sources (heater, stove, boiler, chimney, etc.), and avoid prolonged exposure to direct sunlight. When the fridge is operational, the side panels of the fridge may feel hot; this is normal, as the appliance uses the exterior walls to transfer heat from the inside of the cabinet. Ensure that there is adequate space between the fridge and neighboring walls or large objects. **IMPORTANT: The back of the refrigerator should be placed against a wall allowing for an air space of a maximum of 3 inches (7.6 cm.)**

This will provide sufficient airflow around the appliance resulting in more efficient operation and longer appliance lifetime.

Always keep the air vent openings of the compressor housing cover free from dust and obstructions.

This appliance is intended for free-standing installation only and is not intended to be built into a cabinet or counter.

INSTALLATION

- This appliance is heavy. Take care when moving it.
- The plug must be accessible after installation.
- Be sure that the appliance does not stand on the electrical supply cable. Also, be sure the electrical cable is not squeezed or bent when the appliance is being installed or moved.
- Do not install the appliance near water, for example: in a wet basement or near a sink.
- Position the appliance where it will not be exposed to direct sunlight.
- The appliance must never be used outdoors or exposed to rain or snow.
- There should be a clearance of at least 6 inches (15.25 cm) from the top of the appliance.
- In order for the appliance to work efficiently there must be a gap around it for air circulation. When positioning the product in a recessed area against a wall, ensure the following clearances:
 - a space of 4 inches (10.16 cm) between top surface and ceiling
 - a space of 2 inches (5 cm) between walls and side panels
 - the distance between the appliance and back wall must be a maximum of 3 inches (7.6 cm)
- Do not place or store anything on top of your appliance. Never place anything heavy on top of the appliance.
- Do not cover the body or top of fridge-freezer with any kind of covering or material. This will affect the performance of your fridge-freezer.
- Position the appliance at least 20"/51 cm away from stoves, gas ovens and heater cores, and at least 2"/5 cm away from electrical ovens.
- If your appliance is placed next to a deep freezer, there must be a gap of at least 1"/2.5 cm to prevent humidity forming on the outer surface.

INSTALLATION INSTRUCTIONS (continued)

- Use the adjustable front legs (levelling feet) to make sure your appliance is level and stable. You can adjust the legs by turning them in either direction. **This must be done before placing food in the appliance.**

CAUTION

- This appliance is intended for household use only. It is not designed for outside installation, including anywhere that is not temperature controlled (porches, vehicles, etc.)
- Do not store any containers with flammable vapors or liquids in or around the appliance, such as organic solvents, spray cans, gas cans, etc. **Danger of explosion!**
- Do not connect your appliance to the main electricity supply using an extension cord or plug adapter.
- Do not use damaged, torn or old plugs.
- Do not pull, bend, or damage the cord.
- Never touch the power cord/plug with wet hands. This may cause a short circuit or electric shock.
- Do not place glass bottles or cans in the ice-making compartment as they may burst when the contents freeze.
- Do not place explosive or flammable material in your fridge. Store drinks with high alcohol content vertically in the fridge compartment and make sure their tops are tightly closed.
- When removing ice from the ice-making compartment, do not touch it with bare hands as it may cause frost burns and/or cuts.
- Do not touch frozen goods with wet hands. Do not eat ice-cream or ice cubes immediately after they are removed from the ice-making compartment to avoid frost burn or injury to lips/tongue.
- Do not re-freeze thawed frozen food. Even after freezing, bacterial growth can cause health issues such as food poisoning.

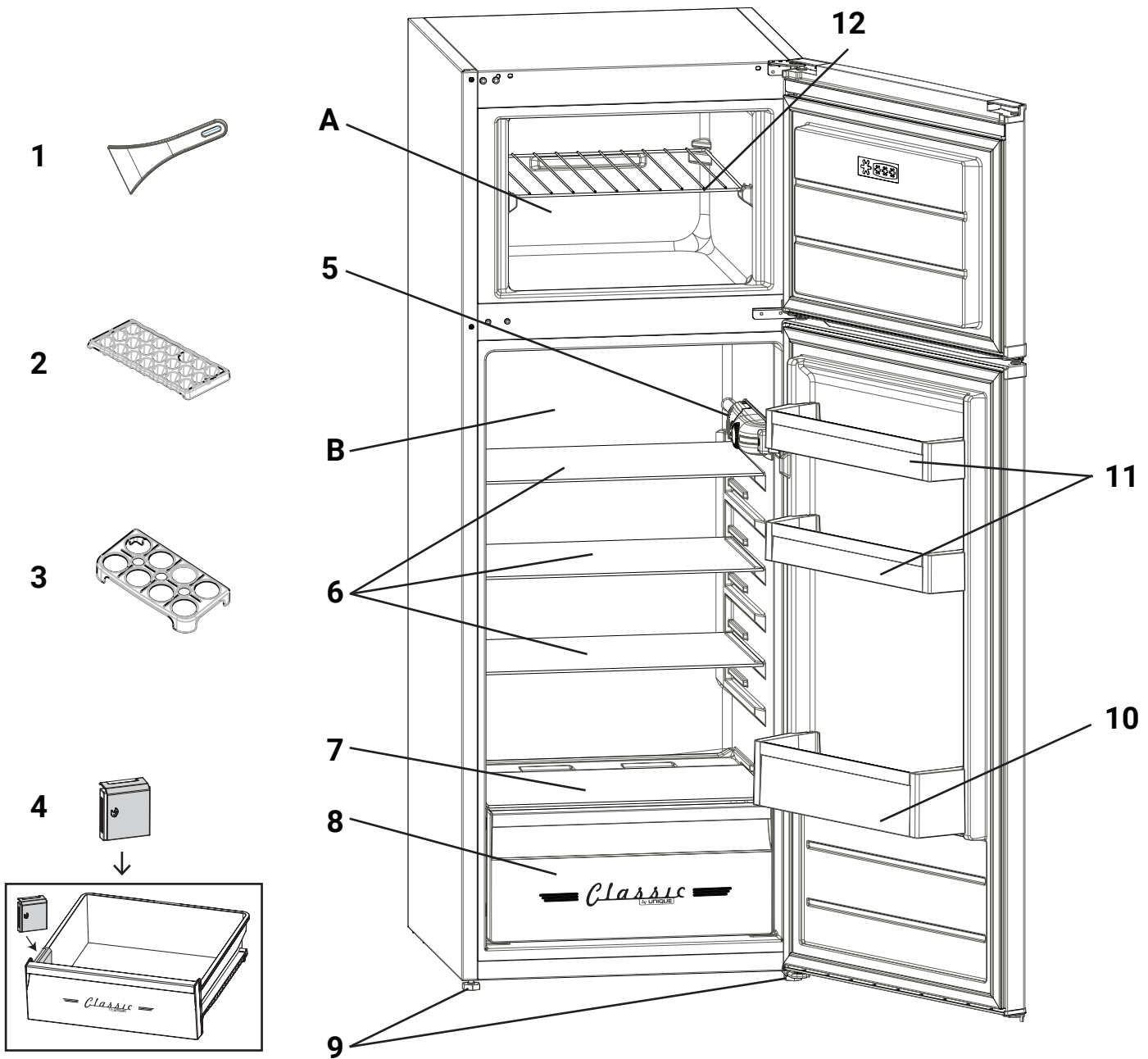
CLEANING

- Always disconnect your appliance from the electrical power supply before cleaning.
- Allow the inside of fridge/freezer to fully thaw, then wash the inside and outside of the appliance with lukewarm water and a mild soap or detergent. Abrasive or corrosive cleaning agents, steel wool, scouring sponges, or chemical cleaning agents should not be used under any circumstances.

SERVICING

- This product should be serviced by an authorized technician and only genuine parts should be used.
- Under no circumstances should you attempt to repair the appliance yourself unless advised by Unique Appliances. Repairs carried out by inexperienced persons may cause injury or serious malfunctioning of the appliance. Unauthorized work may void the warranty.

PRODUCT FEATURES



PRODUCT FEATURES

A Freezer compartment

B Refrigerator compartment

1 Plastic ice scraper

2 Ice cube tray

3 Egg holder

4 Carbon filter located (in crisper)

5 Thermostat/interior LED light

6 Refrigerator shelves

7 Crisper cover

8 Crisper

9 Adjustable front levelling feet

10 Bottle shelf

11 Door shelves

12 Freezer shelf

OPERATION

INFORMATION ABOUT OUR NEW GENERATION COOLING TECHNOLOGY

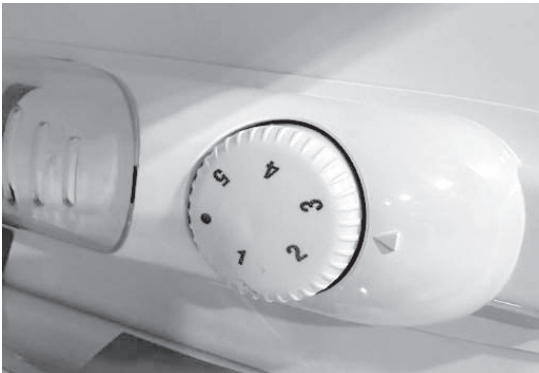
Our new generation Less Frost cooling technology is powered by a wraparound evaporator that offers efficient cooling power, more storage room and requires less manual defrosting.

SETTING THE THERMOSTAT

The thermostat automatically regulates the internal temperature of the fridge/freezer. The thermostat ranges from 1 (warmest) to 5 (coolest). To set the temperature, rotate the knob to select the desired temperature range.

IMPORTANT

Turning the knob beyond position 1 (to the black dot) will turn your appliance off.



Thermostat Control

NOTE

The optimal setting for fridge and freezer efficiency is 4.

TEMPERATURE SETTING WARNINGS

Your appliance is designed to operate in the ambient temperature ranges stated in the standards, according to the climate class stated on the information label. It is not recommended to operate the fridge in environments which are outside of the stated temperature ranges. This will reduce the cooling efficiency of the appliance.

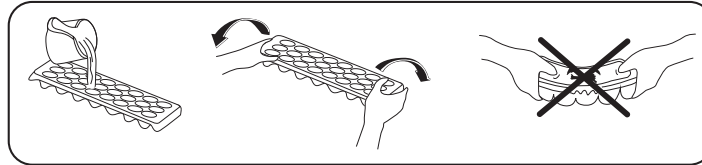
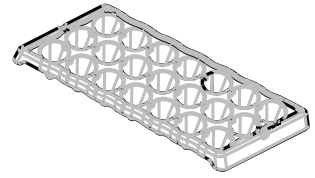
Temperature adjustments should be made according to the frequency of door openings, the quantity of food kept inside the appliance and the ambient temperature of the location of your appliance.

- When the appliance is first switched on, allow it to run for 24 hours in order to reach operating temperature. During this time, do not open the door and do not keep a large quantity of food inside.
- A delay function is applied to prevent damage to the compressor of your appliance when connecting or disconnecting to the main power supply, or when an electrical interruption occurs.

FEATURES

ICE CUBE TRAY

- Fill the ice trays with water and place them in the freezer compartment.
- After the water has completely frozen, you can twist the trays as shown below to remove the ice cubes.



THE CRISPER DRAWER

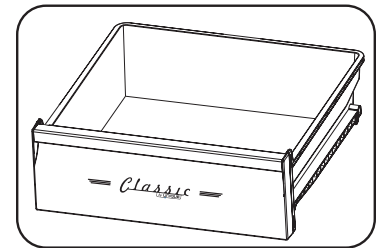
The crisper drawer keeps fresh fruit and vegetables at the optimum level of humidity, and allows food to be organized and accessed easily.

REMOVING THE CRISPER DRAWER

- Pull the box towards you, as far as possible
- Pull the front of the box up off of its rails and remove it

NOTE: Always keep a secure hold on the box while removing it.

- After cleaning, reverse these instructions to re-install the crisper drawers.

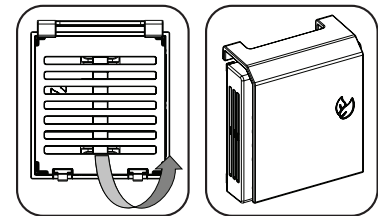
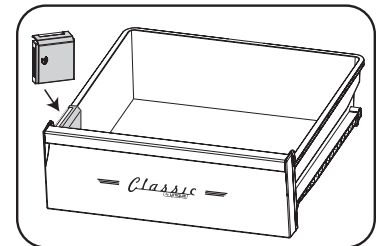


REPLACING THE CRISPER FILTER

The crisper filter removes ethylene gas (a volatile organic compound released naturally from fresh foods) and unpleasant odors from the crisper so that food stays fresher longer.

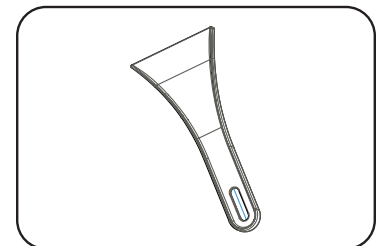
- For best performance, replace the filter every 6 months. To order replacement filters (**UGP-VT42327695**), visit www.uniqueappliances.com or contact Unique customer service: **Toll-free:** 1-877-427-2266 or 1-905-827-6154
Email: info@UniqueAppliances.com

- To replace the filter, remove the back cover of the filter box by pulling it in the direction of the arrow. Remove the old filter, position the replacement filter in the unit and replace the back cover.



PLASTIC SCRAPER

After some time, frost may accumulate in certain areas of the freezer and should be removed regularly. Use the plastic scraper provided; do not use sharp metal objects which could puncture the refrigerator circuit and cause irreparable damage to the unit.



FOOD STORAGE

REFRIGERATOR COMPARTMENT

- To reduce humidity and frost formation inside the appliance, be sure to store liquids in sealed containers as frost can develop as liquid evaporates.
- Allow warm foods to cool before covering and storing them in the fridge. Storing warm foods can increase the temperature/humidity inside the fridge, possibly spoiling other stored foods and reducing the appliance efficiency.
- Make sure no items are in direct contact with the rear wall of the appliance as frost will develop and packaging may stick to it.
- Do not open the refrigerator door frequently, as this can increase the internal temperature and reduce efficiency.
- We recommend that meat and clean fish are wrapped and stored on the glass shelf above the crisper where the air is cooler.
- Store loose fruit and vegetables in the crisper container.
- Storing fruit and vegetables separately helps prevent ethylene-sensitive vegetables (green leaves, broccoli, carrot, etc.) from being affected by ethylene releasing fruits (bananas, peaches, apricots, figs, etc.).
- Do not put wet vegetables into the refrigerator.
- Storage time for all food products depends on the initial quality of the food and an uninterrupted refrigeration cycle before refrigerator storage.
- Liquid leaking from meat may contaminate other products in the refrigerator. Package meat products securely and immediately clean any leakages if they occur.
- Do not put food in front of the air flow passage as this may damage food item and can reduce efficiency.
- Consume packaged foods before the recommended expiry date.
- To ensure the refrigerator compartment maintains an accurate temperature, do not allow food to come into contact with the temperature sensor located in the refrigerator compartment.
- For optimal everyday use, set the temperature of your refrigerator to position 4.
- To ensure safe food storage, the temperature of the fridge compartment should be set between 32 - 46°F/0° - 8°C. Temperatures colder than 32°F/0°C can freeze/damage fresh food, and temperatures warmer than 46°F/8°C can cause bacterial growth and spoilage.
- To prevent cross contamination, meat products and fruit and/or vegetables should not be stored together.

FOOD STORAGE (continued)

The table below is a quick guide to show you the most efficient way to store the major food groups in your refrigerator compartment.

GUIDE TO STORING FOOD IN THE FRIDGE COMPARTMENT		
Food	Maximum Storage Time	How and Where to Store
Vegetables and fruit	1 week	Vegetable crisper
Meat and fish	2-3 days	Store in plastic foil, airtight bags or containers on glass shelves
Cheese and dairy products	Until the expiry date recommended by the producer	On glass or door shelves
Eggs	1 month	In the egg holder, placed on the glass shelves
Cooked food/leftovers	2 days	Store in plastic foil, airtight bags or containers on glass shelves

NOTE: Potatoes, onions and garlic should not be stored in the refrigerator.

FREEZER COMPARTMENT

- The freezer is used for storing frozen food, freezing fresh food, and making ice cubes.
- Food in liquid form should be frozen in sealed plastic containers, while solid food should be frozen in plastic pouches or bags. Wrap and seal fresh food properly; packaging should be airtight and shouldn't leak. Special freezer bags, aluminum foil, polythene bags, and plastic containers are ideal.
- Do not store fresh food next to frozen food as it can thaw the frozen food.
- Before freezing fresh food, divide it into smaller portions or single serving sizes.
- Cook or consume thawed frozen food within a short period of time after defrosting.
- Always follow the manufacturer's instructions on food packaging when storing frozen food. If no information is provided, food should not be stored for more than 3 months from the date of purchase.
- When purchasing frozen food, make sure that it has been stored under appropriate conditions and that the packaging is not damaged. Do not purchase frozen food if the packaging shows signs of humidity and abnormal swelling. It may have been stored at an unsuitable temperature and the contents have deteriorated.
- Frozen food should be transported in appropriate containers and placed in the freezer as soon as possible.
- The storage life of frozen food depends on the room temperature, the thermostat setting, how often the door is opened, the type of food, and the length of time required to transport the product from the shop to your home. Always follow the instructions printed on the packaging and never exceed the maximum storage life indicated.
- If the freezer door has been left open for a long time or was not closed properly, frost can form and prevent efficient air circulation. To resolve this, unplug the freezer, empty the contents and allow it to defrost. Clean the freezer once it has fully defrosted.

FOOD STORAGE (continued)

- The freezer volume stated on the label is the volume without the shelf.
- Do not refreeze thawed food, as this affects food quality, and an increased bacterial count from initial thawing can cause problems such as food poisoning.

IMPORTANT

If you attempt to open the freezer door immediately after closing it, you may find it difficult to open. This is normal; once the air pressure has equalized within the freezer compartment the door will open easily.

CLEANING AND DEFROSTING

INTERNAL/EXTERNAL CLEANING

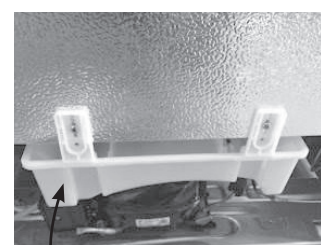
 **Disconnect the unit from the power supply before performing any cleaning or maintenance.**

Wash the inside of the appliance with lukewarm water and a mild soap. Never use abrasive or corrosive cleaning agents, steel wool, scouring sponges, chemical cleaning agents, or highly scented cleaning products to clean the interior or exterior as these will damage the surface and leave behind a strong odor. A sponge, towel, or soft brush is recommended. Wash with a mixture of two tablespoons (30ml) of baking soda to 1 quart (1.14L) warm water. After cleaning, wipe all surfaces with a soft cloth and clean water to rinse, and allow the fridge/freezer to dry.

- Do not wash the appliance by pouring water on or in it. Make sure that no water enters the lamp housing and/or other electrical components.
- Clean the accessories separately by hand with soap and water. Do not put accessories in a dishwasher.
- Clean the condenser with a brush at least twice a year. This will help to sustain performance and save on energy costs. The power supply must be disconnected during cleaning.

CARE AND CLEANING OF THE EVAPORATOR TRAY

- The condensation that results from normal operation flows through the water collection spout and into the water tray behind the appliance where it evaporates.
- Make sure you have disconnected the plug of your appliance before cleaning the water tray. Wipe out the tray with a soapy sponge regularly to prevent odours from forming.
- The evaporation tray and the water drain hole should be cleaned periodically.
- You can also clean the drain hole by pouring half a glass of water through it.



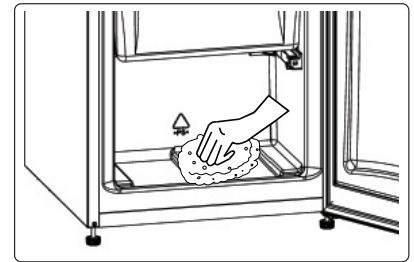
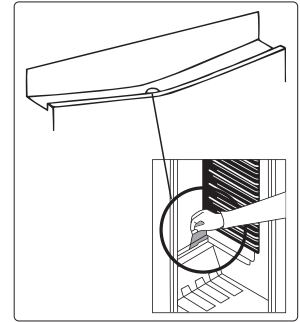
evaporator tray

DEFROSTING THE FRIDGE/FREEZER

- Frost will accumulate inside the freezer, depending on the frequency of the door being opened, the length of time the door is left open or the amount of moisture introduced. It is essential to ensure that no frost or ice is allowed to form in places that could affect the fit of the door seal, as this could allow air in the freezer, prompting continuous running of the compressor. Light frost formation is quite soft and can be easily removed with a brush or plastic scraper. Do not use metal or sharp scrapers, mechanical devices or other means to accelerate the defrosting process. Remove all dislodged frost from the cabinet floor. It is not necessary to switch off the appliance for the removal of light frost.

CLEANING AND DEFROSTING (continued)

- For the removal of heavy ice deposits, disconnect the appliance from the mains supply, empty the freezer contents into cardboard boxes or coolers and wrap in thick blankets or layers of paper to keep cool. Defrosting is most effective if carried out when the freezer is nearly empty and should be done as quickly as possible to prevent thawing the contents. An increase in temperature of frozen food will shorten its storage life. Keep contents well wrapped and cool while freezer defrosting is taking place.
- Do not use metal or sharp scrapers, mechanical devices or other means to accelerate the defrosting process.
- To accelerate the defrosting process, place one or more bowls of warm water in the freezer compartment.
- After defrosting is complete, clean the inside of the appliance with a solution of warm water and baking soda, then dry thoroughly. Wash all removable parts in the same way and reassemble. Reconnect the appliance to the mains supply and leave for 2 to 3 hours on setting 5 before introducing the food back into the freezer.
- Examine the contents when replacing them in the freezer and if some of the packages have thawed out, they should be eaten within 24 hours, or be cooked and re-frozen.



MAINTENANCE

REPLACING LED LIGHTING

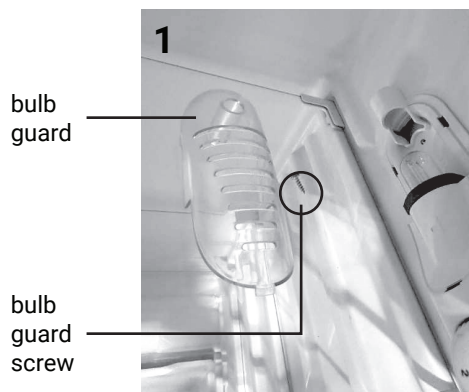
⚠ CAUTION

- Unplug from power source before replacing LED lightbulb
- Only replace with an authorized Unique part

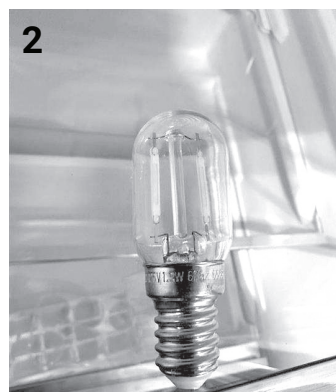
Bulb replacement type: Interior Light Bulb: 6500K, T22 125V, 60hz, 6558

To replace the interior light bulb:

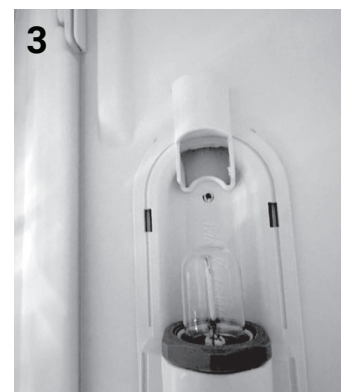
1. Remove the clear plastic bulb guard by unscrewing the single screw that holds it in place (shown)
2. Unscrew the spent bulb and replace it with the new one.
3. Replace the clear plastic bulb guard and the screw that fixes it in position.



Removing the bulb guard



Removing the spent bulb



Installing the new bulb

MAINTENANCE (continued)

REPOSITIONING THE DOOR

It is not possible to change the opening direction of your appliance door if door handles are installed on the front surface of the appliance door.

VACATION

- Short vacations: Leave the appliance operating during vacations of less than three weeks.
- Long vacations: If the appliance will not be used for several months, remove all items and disconnect the appliance from its power source. Clean and dry the interior thoroughly. To prevent odor and mold growth, leave the door open slightly, blocking it open if necessary.

MOVING

- Disconnect the appliance from the power supply and remove all items.
- Tape down shelves inside the appliance.
- Turn the adjustable legs up to the base to avoid damage.
- Tape the door shut.
- Be sure the appliance stays in the upright position during transportation. Protect the outside of the appliance with padding or wrap it in a blanket.
- If the appliance is placed on its back or side during transportation, upon reaching the destination, allow it to remain upright for 6 hours before plugging in to avoid damage to internal components.

CUSTOMER RESPONSIBILITIES

The following items are the responsibility of the customer and are not covered by the warranty:

- Proper care and use of the appliance as described in this manual.
- Damage to the interior or exterior finish or components after delivery.
- Proper power supply, circuit breaker, wiring, and connections.
- Service required as a result of alteration, misuse, abuse, flooding, fire, lightning, or other acts of God.

TROUBLESHOOTING

If you are experiencing a problem with your appliance, please check the following before contacting Service.

PROBLEM	SOLUTION
The appliance is not working	<p>Check if:</p> <ul style="list-style-type: none"> • There is power. • The appliance is correctly plugged in. • The household fuse has blown or the breaker has tripped. • The socket is defective. To check this, plug another working appliance into the same socket.
The appliance performs poorly	<p>Check if:</p> <ul style="list-style-type: none"> • The appliance is overloaded. • The appliance door is closed properly. • There is any dust on the condenser. • There is enough space near the rear and side walls.
The compressor runs loudly	<ul style="list-style-type: none"> • The compressor may run loudly or the compressor/refrigerator noise may increase temporarily depending on the ambient temperature, or when the fridge is plugged in and turned on for the first time. This is normal; when the refrigerator reaches the required temperature, the noise will decrease automatically.
The appliance is making noise	<p>These are normal noises</p> <p>A “cracking” sound can occur:</p> <ul style="list-style-type: none"> • During automatic defrosting. • When the appliance is cooled or warmed (due to expansion of insulating materials.) <p>A short “cracking” sound occurs:</p> <ul style="list-style-type: none"> • When the thermostat switches the compressor on/off. <p>A motor noise occurs:</p> <ul style="list-style-type: none"> • When the compressor is operating normally. • The compressor may run more loudly than normal for a short time when it is first activated. <p>A bubbling noise and splashing sound occurs:</p> <ul style="list-style-type: none"> • This is the sound of the refrigerant flowing through the system. <p>The sound of dripping water occurs:</p> <ul style="list-style-type: none"> • This is a normal sound as water flows and collects in the evaporation container. <p>The sound of blowing air occurs:</p> <ul style="list-style-type: none"> • This is the sound of air circulation during the normal operation of the system.

TROUBLESHOOTING (continued)

PROBLEM	SOLUTION
<p>There is a build-up of humidity inside the appliance</p>	<p>Check if:</p> <ul style="list-style-type: none"> • All food is packed properly, in covered containers where applicable. Containers must be dry before being placed in the appliance. • The appliance door is opened frequently. Ambient humidity enters the appliance when the doors are opened. Humidity increases more quickly when the doors are opened frequently, especially if the ambient humidity is high.
<p>The door does not open or close properly</p>	<p>Check if:</p> <ul style="list-style-type: none"> • There is food or packaging preventing the door from closing. • The door seals are obstructed or damaged. • The door joints are broken or torn. • Your appliance is on a level surface.
<p>The edges of the appliance are warm where they contact the door joint</p>	<p>This is normal during warm seasons, where the surfaces in contact with the door joint may become warmer when the compressor is running.</p>

If a problem persists after you have followed the above instructions, please consult the nearest authorized service centre.

RECOMMENDATIONS

RECOMMENDATIONS

- If the appliance is switched off or unplugged, wait at least 5 minutes before plugging the appliance in or re-starting it in order to prevent damage to the compressor.
- If you are not going to use your appliance for a long time (e.g. during a holiday or vacation) unplug and empty it. Clean the appliance according to the directions on page 15 and leave the door open to prevent odor and mold growth.
- The appliance you have purchased is designed for domestic use only. It is not suitable for commercial or common use. If the consumer uses the appliance in a way that does not comply with this, the manufacturer and the dealer will not be responsible for any repair and failure within the guarantee period.

ENERGY SAVING TIPS

1. Install the appliance in a cool, well ventilated room, but not in direct sunlight and not near a heat source (such as a radiator or oven) otherwise an insulating plate should be used.
2. Allow warm food and drinks to cool before placing them inside the appliance.
3. When possible, place thawing food in the refrigerator compartment. The lower temperature of the frozen food will help cool the refrigerator compartment while it is thawing, helping to save energy.
4. Drinks or other liquids should be covered when inside the appliance. If left uncovered, the humidity inside the appliance will increase, and the appliance will use more energy. Keeping drinks and other liquids covered also helps to preserve their flavour.
5. Avoid keeping the doors open for long periods and/or opening the doors too frequently as warm air will enter the appliance and cause the compressor to switch on unnecessarily often.
6. Keep the covers of the different temperature compartments (such as the crisper and/or chiller) closed.
7. The door gasket must be kept clean and pliable. In case of wear, replace the gasket.

RATING PLATE & WIRING DIAGRAM



© Unique Appliances Ltd. All rights reserved.
Designed and manufactured by: Unique Appliances Ltd.,
2245 Wyecroft Road #5, Oakville, Ontario, Canada, L6L 5L7.

© Unique Appliances Ltd. Tous droits réservés.
Conçu et fabriqué par: Unique Appliances Ltd.
2245 Wyecroft Road #5, Oakville, Ontario, Canada, L6L 5L7.

Model / Modèle : UNQ-FR7CT

Compressor Refrigerator / Réfrigérateur compresseur

**MADE IN TÜRKİYE
FABRIQUÉ EN TÜRKİYE**

Rated Voltage Tension Nominale	115-127 V	Total Volume Volume Total	7.5 cu.ft.
Rated Frequency Fréquence Nominale	60 Hz	High side Design Pressure Côté Haute Pression	- psi
Rated Current Courant Nominal	1.26 A	Low side Design Pressure Côté Basse Pression	- psi
Rated Defrost Power Puissance de Dégivrage	115 W	Refrigerant Réfrigérant	R600a
Maximum Ice-maker Power Puissance Maximale de Glaçons	- W	Amount Montant	1.587 oz.(45g)
Type of Preventing From Electric Shock Type de prévention De Choc Electrique	Class I	Foaming Agent Agent Moussant	Cyclopentane

UL US
LISTED
HOUSEHOLD
REFRIGERATOR / FREEZER

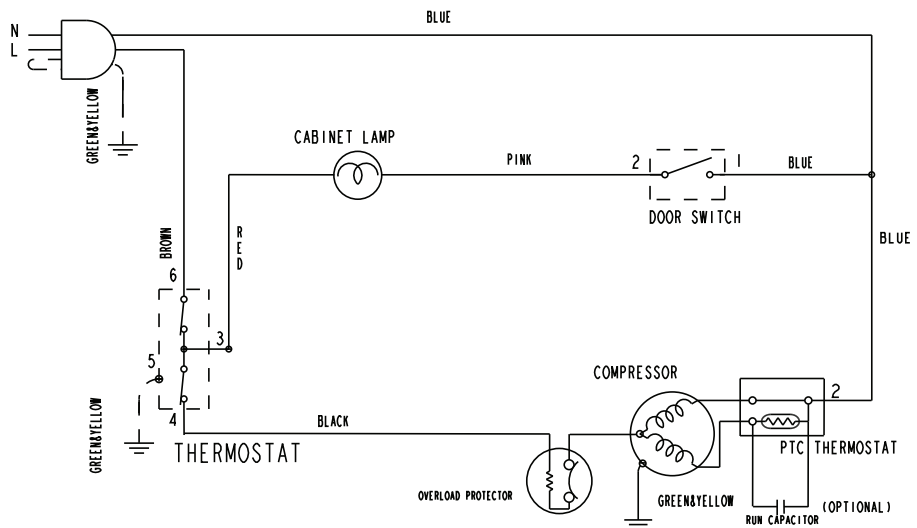
SA46158

CONFORMS TO UL STD. 60335-1 &
60335-2-24,"CERTIFIED TO CSA STD.
C22.2 NO.60335-1 & 60335-2-24"

EN CONFORMITÉ AVEC UL STD. 60335-1
& 60335-2-24,"CERTIFIÉS CSA STD.
C22.2 NO.60335-1 & 60335-2-24"



ELECTRIC DIAGRAM/SCHÉMA ÉLECTRIQUE



**FREE STANDING INSTALLATION ONLY
UNIQUEMENT POUR INSTALLATION A
POSITIONNEMENT LIBRE**

SERIAL NUMBER PLATE

UNIQUE
APPLIANCES

Model/Modèle: UNQ-FR7CT

© **Unique Appliances Ltd. All rights reserved.**
Designed and manufactured by: Unique Appliances Ltd.,
2245 Wycroft Road #5, Oakville, Ontario, Canada, L6L 5L7.

© **Unique Appliances Ltd. Tous droits réservés.**
Conçu et fabriqué par: Unique Appliances Ltd.
2245 Wycroft Road #5, Oakville, Ontario, Canada, L6L 5L7.

Basic Type No : ST/N263M



Production Date: 02/07/25
MADE IN TÜRKİYE
FABRIQUE EN TÜRKİYE

Serial No:

WARRANTY

Unique Appliances Ltd. (hereafter "Unique") warrants that this UNIQUE fridge is free from manufacturer's defects in material and workmanship under normal usage and service under the following terms.



TERMS OF WARRANTY

Plastic parts are warranted for thirty (30) days from the date of purchase, with no extensions provided.

PARTS WARRANTY

This appliance has been designed for domestic household use. If properly installed, adjusted and operated under normal conditions in accordance with printed instructions, it will satisfactorily perform the functions that are generally expected of this type of appliance. If the appliance fails to do so because of a defect in material or workmanship within one year or two years on the hermetically sealed compressor from the original date of purchase, Unique will, at our option, repair, exchange, or correct by other means Unique considers appropriate any part(s) that Unique finds to be defective except for the surface finish.

OWNERSHIP

This Warranty is made only to the first purchaser ("original purchaser") who acquires this fridge for his/her own use and will be honored by Unique Appliances Ltd. and by the Seller. Purchaser must retain their receipt as proof of purchase date.

WARRANTY CONDITIONS

This warranty does not apply to any appliance that has been subjected to alterations, misuse, abuse (including damage by foreign agents or chemicals), accident, improper installation or service, delivery damage, or other than normal household use and service. This UNIQUE appliance must be serviced regularly as outlined in the Owner's Manual. Neither Unique Appliances Ltd. nor the selling dealer will be liable for direct or indirect loss of foods caused by failure in operation. In case of damage, the owner must provide proof of purchase, Model, and Serial Number to the selling dealer or Unique Appliances Ltd. This warranty is LIMITED STRICTLY to the terms indicated herein, and no other expressed warranties or remedies thereunder shall be binding on Unique.

PURCHASER'S RESPONSIBILITIES

The purchaser will be responsible for the costs of any service calls requested to demonstrate or confirm the proper operation of the appliance, the installation, or to correct malfunctions in the appearance created by the operation of the appliance in a manner not prescribed by or cautioned against in the use and care instructions.

MODEL AND SERIAL NUMBER

The appliance model number and serial number can be found on a rating plate attached at the back of the fridge. The purchaser should always refer to the model and serial number when talking to or contacting the dealer from whom the appliance was purchased.

EXCLUSIONS

Save as herein provided by Unique, there are no other warranties, conditions, representations or guarantees, express or implied, made or intended by Unique or its authorized distributors and all other warranties, conditions, representations or guarantees, including any warranties, conditions, representations or guarantees under any Sale of Goods Act or like legislation or statute is hereby expressly excluded. Save as herein provided, Unique shall not be responsible for any damages to persons or property, including the unit itself, howsoever caused or any consequential damages arising from the malfunction of the unit and by the purchase of the unit, the purchaser does hereby agree to indemnify and hold harmless Unique from any claim for damages to persons or property caused by the unit.

Removal or disfigurement of the serial plate will void the warranty. The purchaser will be responsible for any expenses involved in making the refrigerator readily accessible for servicing. The purchaser will be responsible for any extra charges where the installation is in a remote location such as un-assumed roads, islands, areas known as cottage country, more than 75 km outside a metropolitan area, or where a technician is not available. Freight damage is not covered by this warranty.

GENERAL PROVISIONS

No warranty or insurance herein contained or set out shall apply when damage or repair is caused by any of the following:

- 1) Power failure.
- 2) Damage in transit or when moving the appliance.
- 3) Improper power supply such as low voltage, defective house wiring or inadequate fuses.
- 4) Accident, alteration, abuse or misuse of the appliance such as inadequate air circulation in the room or abnormal operating conditions (ie. extremely high or low room temperature).
- 5) Use for commercial or industrial purposes (ie. If the appliance is not installed in a domestic residence).
- 6) Fire, water damage, theft, war, riot, hostility, acts of God such as hurricanes, floods, natural disasters, etc.
- 7) Service calls resulting in customer education.

Proof of purchase date will be required for warranty claims; retain bills of sale. In the event that warranty service is required, present the proof of purchase to our authorized service depot.

Nothing within this warranty shall imply that Unique will be responsible or liable for any spoilage or damage to food or other contents of this appliance, whether due to any defect of the appliance, or its use, whether proper or improper

FACTORY ASSISTANCE

If the purchaser is unable to locate an authorized dealer/service agent, or if the purchaser does not receive satisfaction from the dealer, they may contact Unique Appliances Customer Service directly at Toll Free 1-877-427-2266 or 905-827- 6154

APPLIANCE INFORMATION

(manual copy - keep with your records)

To make the care and servicing of your appliance easy and efficient, please record the following information for future reference:

Model:

Serial Number:

Purchased From:

Date Purchased:

PRODUCT REGISTRATION

Please visit our website at <https://uniqueappliances.com/pages/product-registration> to register your product.



NOTES

CONTACT US

For questions related to the operation, safety or the purchase of your fridge, please contact your dealer for more information. For general information, contact our customer service department:



Email

info@UniqueAppliances.com



Toll-free

1-877-427-2266 or 1-905-827-6154
available during regular business hours,
8:30 am to 4:30 pm, EST.



Website

www.uniqueappliances.com

UNIQUE[®]
APPLIANCES

© 2025 Unique Appliances Ltd., 2245 Wycroft Road,
Oakville, Ontario, Canada, L6L 5L7

www.uniqueappliances.com