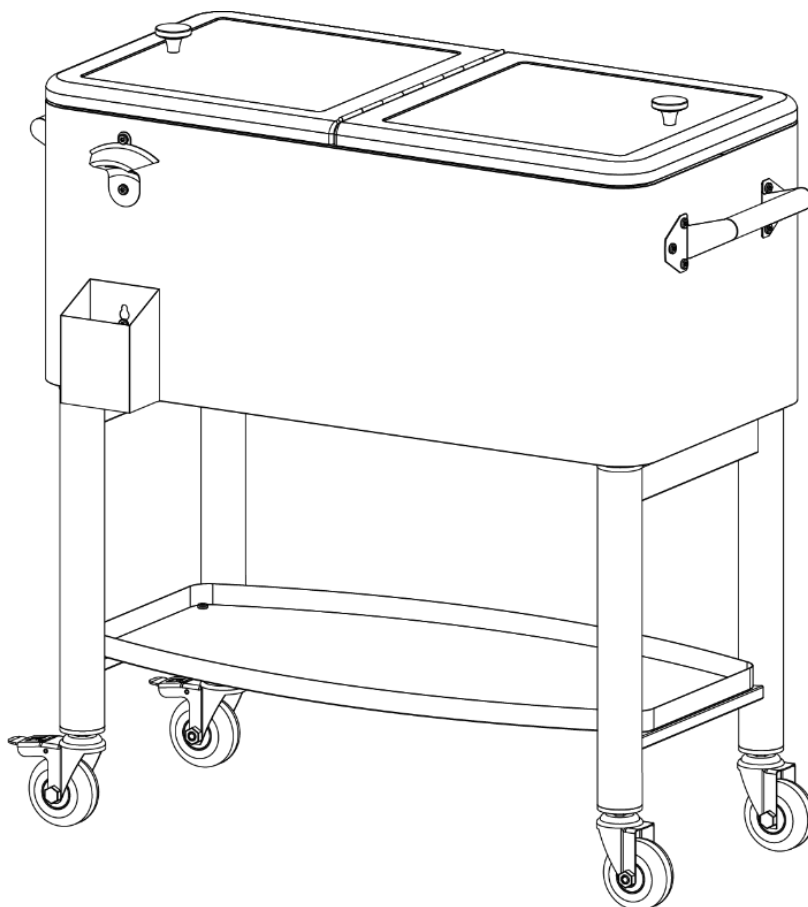


80 Quart Deck Cooler SS/Black

Use & Care Guide

SKU #: 272-1419
Model #: MC-312D-BS



Please read instructions carefully before use. Retain for future reference.



TABLE OF CONTENT:

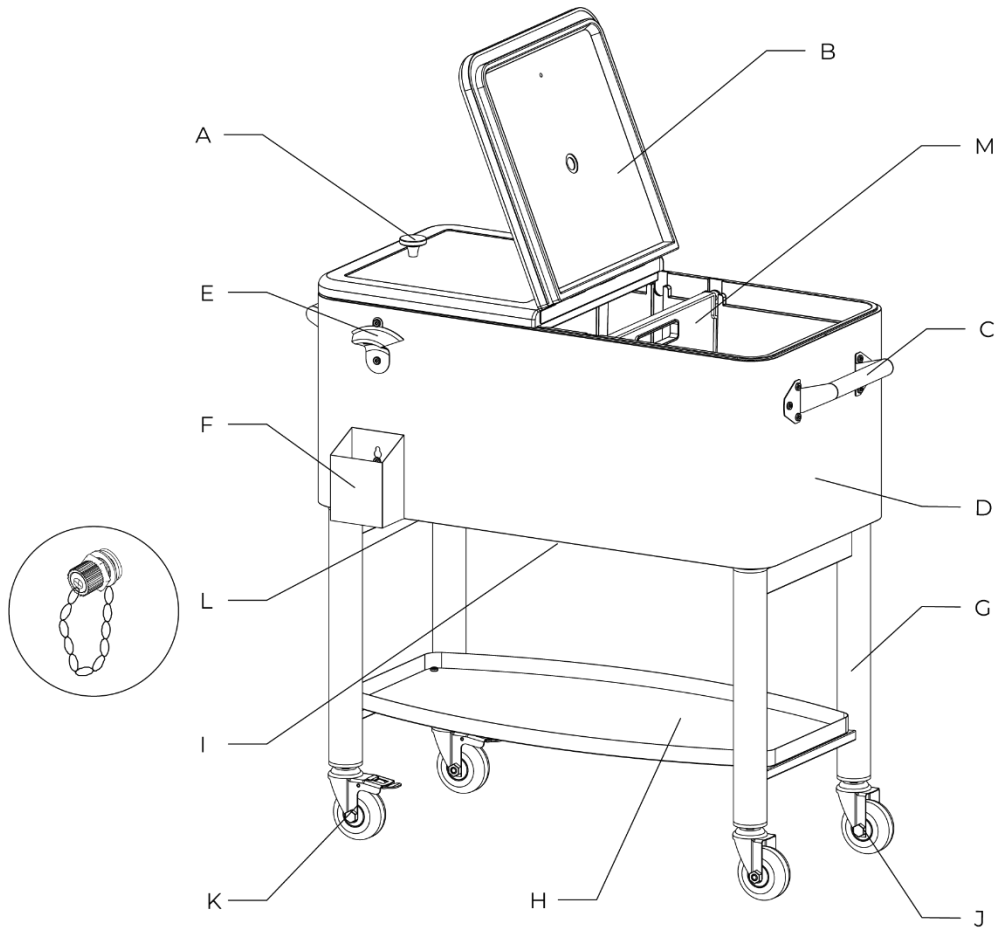
Important Information	2
Parts List	3
Hardware List	4
Before Assembly	5
Assembly Steps	5
Care & Maintenance	9
Limited Warranty Information	9
Contact Information	10

IMPORTANT INFORMATION:

Thank you for your purchase of our Patio Cooler. We sincerely hope you will enjoy using our fine products.

- Please take your time to read the instructions thoroughly and follow each step carefully for a safe and easy assembly.
- Please contact our customer service if you have any questions.
- Please keep this manual for future reference.

PARTS LIST:

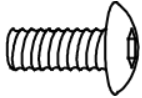
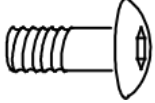
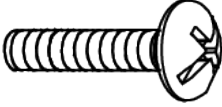


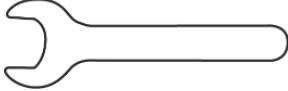


	Description	Part Numbers	Qty
A	Lid Knob	20000500	2
B	Lid	20302302	1
C	Side Handle	22302118	2
D	Body (Basin)	31202018	1
E	Bottle Opener	20000100	1
F	Bottle Cap Catcher	22302418	1
G	Leg Frame	31202602	2
H	Bottom Shelf	31202502	1
I	Cross Member	31202702	1

	Description	Part Numbers	Qty
J	Caster	20000200	2
K	Caster with Brake	20000300	2
L	Drain Plug	20330400	1
M	Divider	20301922	1
AA	M6 x 13 Bolt	20005300	24
BB	M6 x 13 Shoulder Bolt	20005400	2
CC	M4 x 32 Screw	20005100	2
	Hardware Package	31206000	1
	Manual	31209900	1

HARDWARE LIST:

The following hardware is provided in a poly bag.

<p>M6x13mm Bolt: 24 pcs</p>  <p>AA</p>	<p>M6x13mm Shoulder Bolt: 2 pcs</p>  <p>BB</p>
<p>M4x32mm Screw: 2 pcs</p>  <p>CC</p>	<p>Lid Knob: 2 pcs</p>  <p>A</p>
<p>Tools Included:</p>  	

TOOLS:

The following tools are required for assembly:

- Allen wrench (provided)
- Open-end wrench (provided)
- Phillips screwdriver (not provided)

BEFORE ASSEMBLY:

⚠ CAUTION:

- Hand tools only, use of power tools could damage the product.
- Remove all components, hardware, and tools from the box before assembly.
Please separate all the hardware and be sure they match with page 4 of this manual.
- Please consider recycling all applicable packaging material.

ASSEMBLY INSTRUCTIONS:

Step 1:

1. Place the leg frames (G) on a clean and soft surface. Attach the bottom shelf (H) to the leg frames (G) with **(4) M6x13mm bolts (AA)** and tighten with the provided Allen wrench.

Note: Do not fully tighten the bolts until the bottom shelf is aligned with the holes on the leg frames.

2. Insert and thread the casters (J) into the leg frame (G) with the provided open-end wrench. Insert and thread the casters with brake (K) into the other leg frame (G) with the provided open-end wrench.

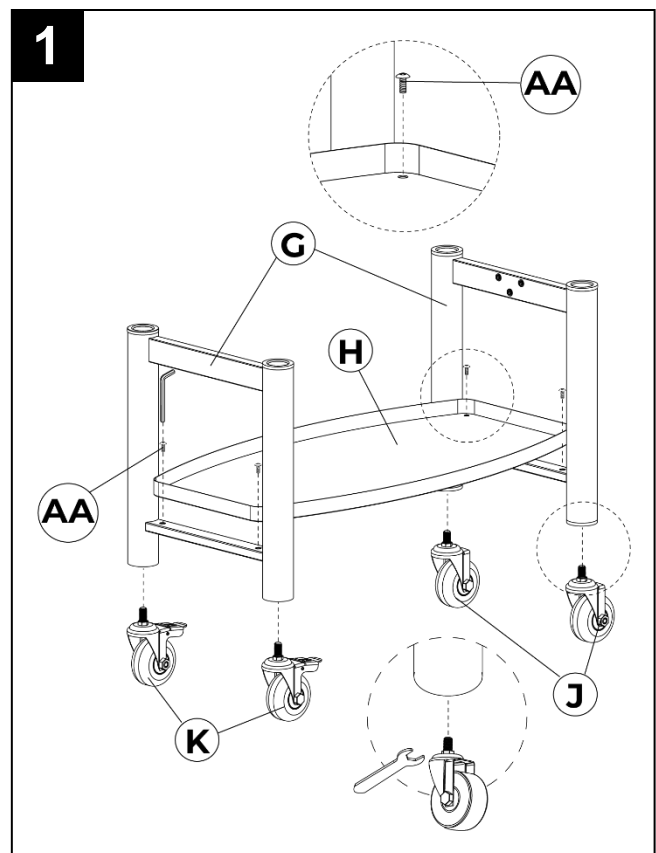
Hardware Used



Allen Wrench



Open-End Wrench



Step 2:

1. Attach the cross member (I) to the leg frames (G) using **(6) M6x13mm bolts (AA)** and fully tighten with the provided Allen wrench.

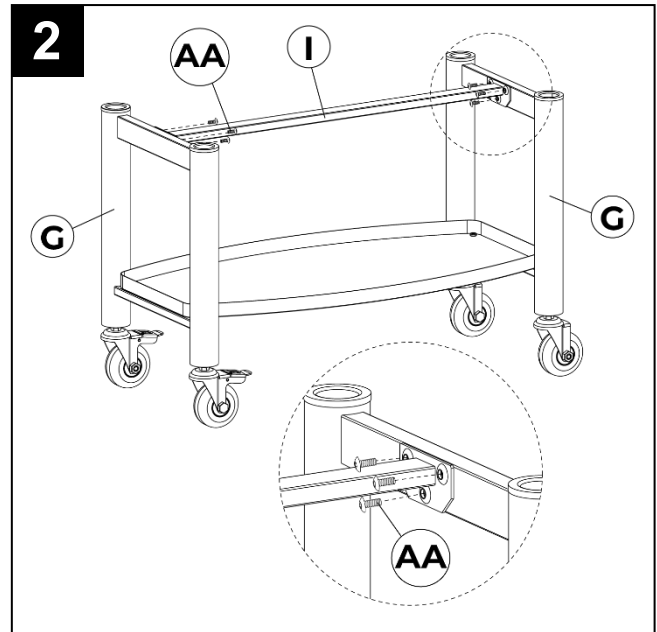
Note: Fully tighten the screws left loose from step 1.

2. The base assembly is now complete. Set aside the base until you are done with step 3.

Hardware Used



Allen Wrench



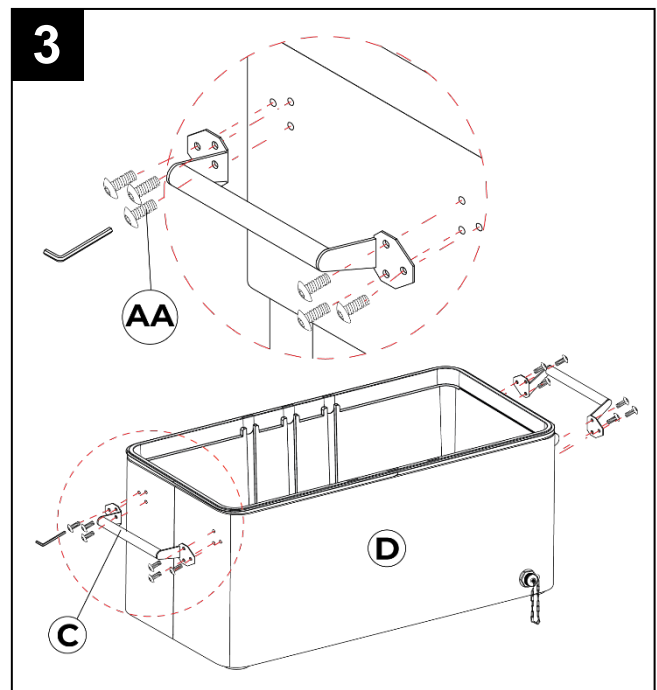
Step 3:

1. Please place the basin on a clean and soft surface before proceeding.
2. Attach the side handles (C) to the body (D) using **(12) M6x13mm bolts (AA)**, 6 bolts for each handle, and tighten with the provided Allen wrench.

Hardware Used

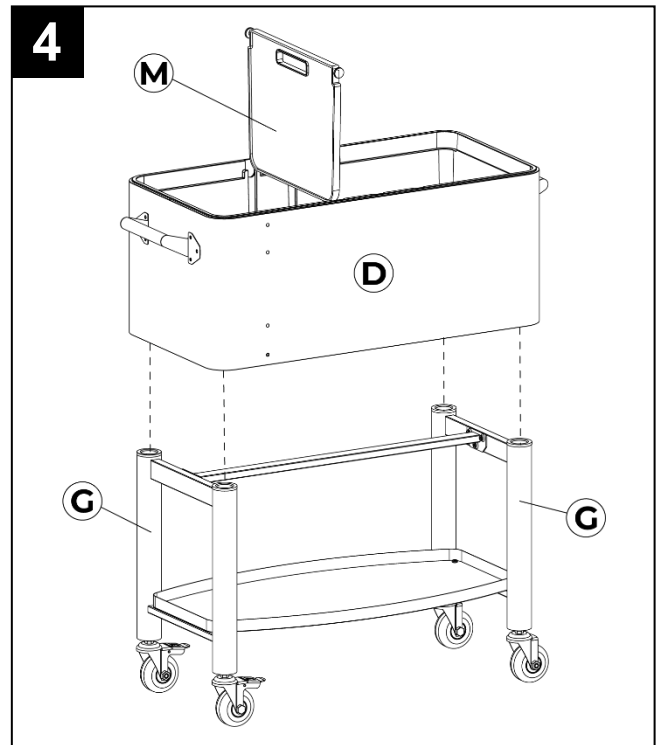


Allen Wrench



Step 4:

1. Place the divider (M) into the basin (D).
2. With the assistance of a helper, lift the basin assembly and place it on top of the base assembly. Make sure the feet inserts are placed inside the leg frame holes on the base assembly.



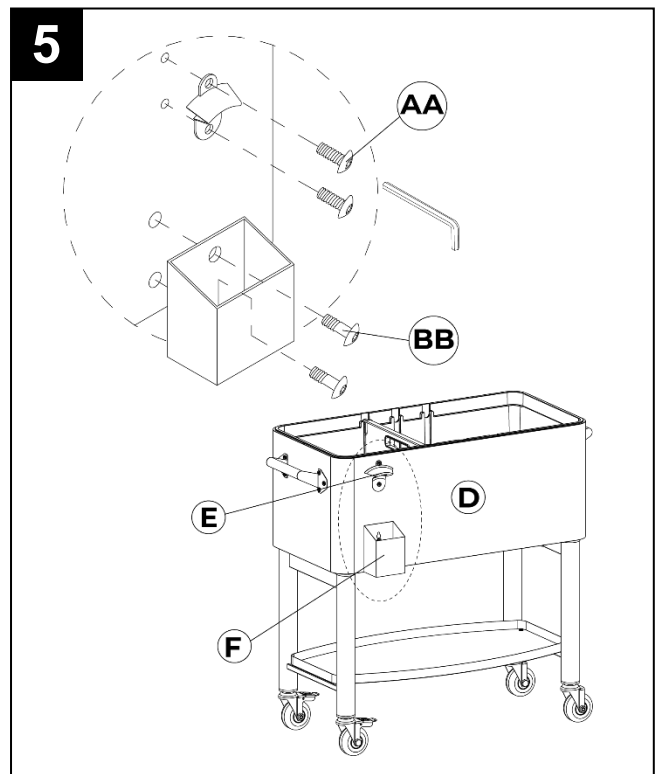
Step 5:

1. Attach the bottle opener (E) to the body (D) using **(2) M6x13mm bolts (AA)** and tighten with the provided Allen wrench.
2. Attach the cap catcher (F) to the body (D) using **(2) M6x13mm shoulder bolts (BB)**.

Hardware Used



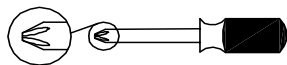
Allen Wrench



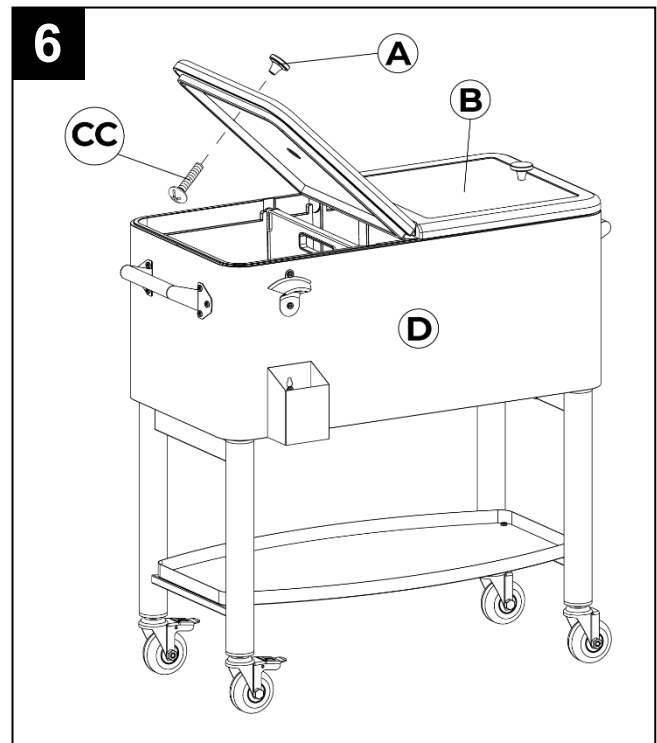
Step 6:

1. Place the lid (B) onto the body (basin) (D). Attach the lid knobs (A) to the lid (B) using **(2) M4x32mm screws (CC)**. Secure them by using a phillips screwdriver (not provided).

Hardware Used



Phillips screwdriver
(not provided)



Congratulations!
You have now completed the patio cooler assembly.



CARE & MAINTENANCE:

- Cooler must be drained of water and completely dried in and out with a soft-clean cloth after every use.
- When the cooler is not in use for a prolonged period, it is recommended to store it in an enclosed dry area such as a storage shed or garage.
- During the season when the cooler is frequently used, it is recommended to use a weather-proof cover to protect the cooler when not in use.
- Periodically apply a light coat of automotive wax to the exterior of the cooler to protect & prolong the life & finish of the cooler.
- We strongly recommend not rolling the cooler on rough surfaces such as pavers when the cooler is full of ice & drinks.

LIMITED WARRANTY:

- The product is warranted to be free from defects in materials and workmanship for 90 days from the date of original purchase.
- Our obligation under this warranty shall be limited to the replacement of parts during the warranty period. Our liability shall not extend beyond the replacement of parts. This warranty excludes normal wear & tear such as paint loss, discoloration and rust on the product, parts, and components.
- This warranty also excludes any damage arising from any of the following: negligent use or misuse of the product, use contrary to this User's Manual or alterations by anyone.
- All warranty coverage is void if this cooler is ever used for commercial or rental purposes; this warranty is valid only in the USA.
- This warranty period of 90 Days shall not be extended or renewed for repair, replacement of parts or compensation for the product. If your product is defective or otherwise requires parts, please call our Permasteel Customer Service at **1-888-287-0735**, between 8:00 a.m. to 5:00 p.m. PST. Email: **service@permasteel.life** or visit us at **www.permasteel.life**
- Parts will be shipped free of charge for a period of 30 days from the date of purchase. The customer is responsible for shipping & handling and processing of the warranty claims after 30 days from the purchase date.
- Proof of purchase, like purchase receipt, must accompany any service requests.



CONTACT INFORMATION:

Thank you for your recent Backyard Creations Patio Cooler Purchase.

For all product questions, warranty issues and/or missing part requests, please contact the manufacturer listed below.

We hope you enjoy your product, and we are always here for you:

Visit us at: **www.permasteel.life**
Customer Service: **1-888-287-0735** (M-F 8:00AM-5:00PM PST)
Email: **service@permasteel.life**

Distributed by
Permasteel Inc.
100 Exchange Place
Pomona,
CA 91768

Designed in California, Made in China

