



DustMagnet™

User Manual

Manuel utilisateur

Manual del usuario

取扱説明書

사용 설명서

使用手冊

Please read this user manual carefully and keep it for future reference.
The latest version of this user manual can be found on www.blueair.com

Note: There may be local variations of these models.

Product name:	Model number:
5210i	5231111000
5240i	5231112000
5410i	5431111000
5415i	5431111000
5440i	5431112000

Contents

DustMagnet™	4
Safety instructions	6
Get started	8
Controls and indicators	11
Filters	14
Care and maintenance	18
Disposal and recycling	20
Help and support	20
Warranty information	20
Specification	21
Regulatory information	22



Blueair DustMagnet™

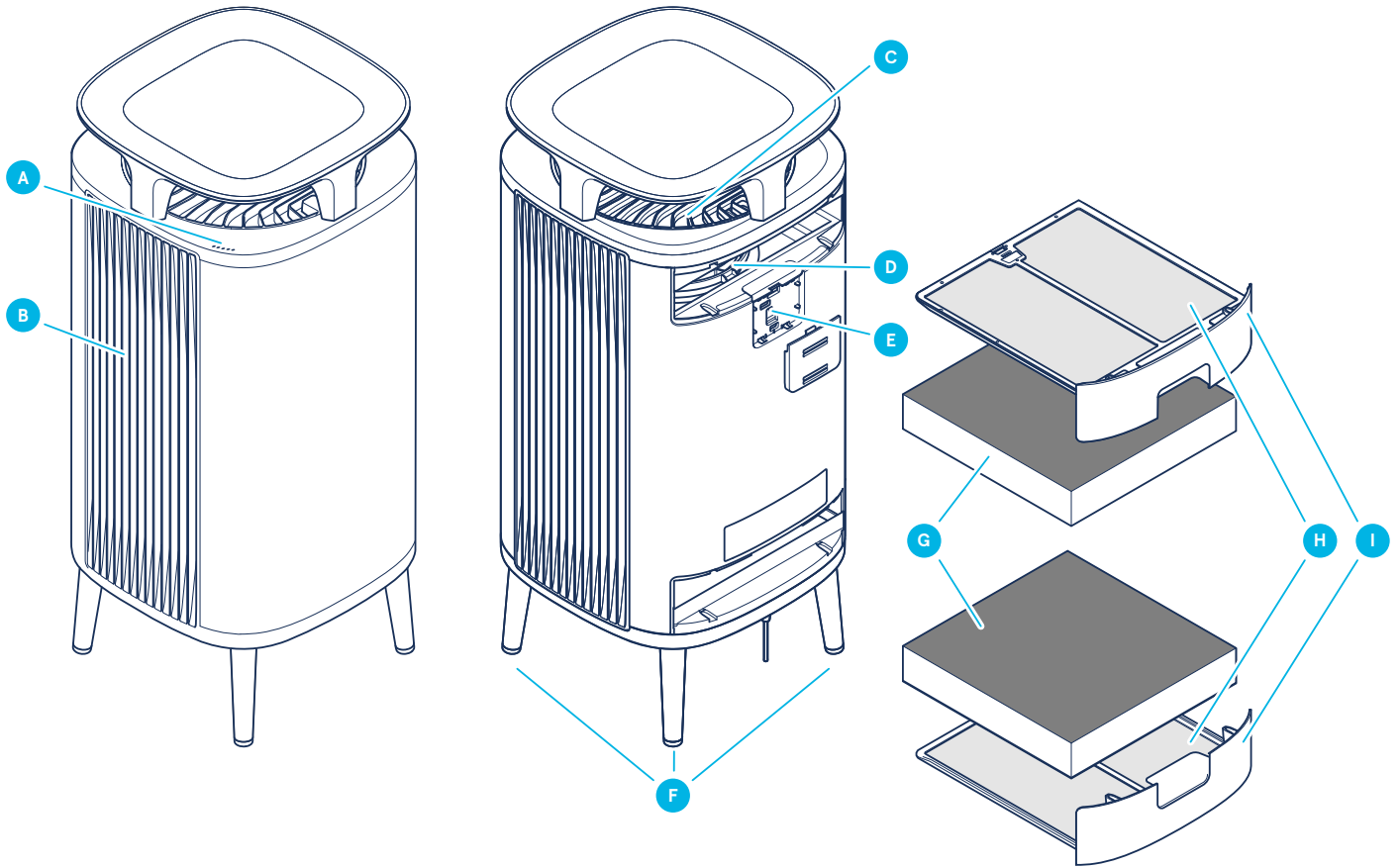
Blueair DustMagnet™ air purifiers are available in four models. All models are Wi-Fi enabled, have two pre-filters and two main ComboFilters to purify air. All DustMagnet™ models have control functions and a built-in sensor.

The air purifier is mainly composed of a motor, a fan and filters. The air purifier removes contaminants from the air in a room to improve indoor air quality.

You can change the air purifier settings at any time, using the control panel on the air purifier or remotely, using the Blueair app. Additional functions are available for all models through the Blueair app.

Recommendations for best performance

- Use the air purifier in a room that does not exceed the room size recommendation.
- Place the air purifier in a location where air can circulate freely in, out and around the air purifier.
- Do not place the air purifier closer than 4"/10cm to another object.
- During operation, keep doors and windows in the room with the air purifier closed.
- Only use original Blueair filters.
- Change the main filter when the filter replacement indicator appears on the control panel.
- Follow the maintenance instructions in this user manual.



- A** Control panel
- B** Air outlet
- C** Air inlet
- D** Fan and motor
- E** Air quality sensor
- F** Legs

- G** Main filters
- H** Pre-filters
- I** Filter hatch
- J** Power adapter (not in picture)
- K** User Manual (not in picture)

Safety instructions

Blueair DustMagnet™ air purifiers are electrical appliances for indoor use only, take the necessary precautions to reduce the risk of fire, electric shock or injury.

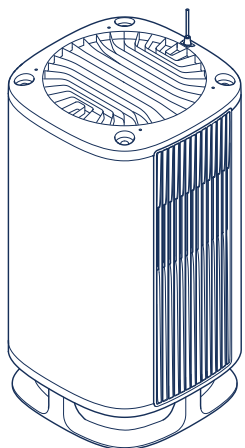
- This appliance is not intended for use by persons (including children) with reduced physical, sensory or mental capabilities, or lack of experience and knowledge, unless they have been given supervision or instruction concerning use of the appliance by a person responsible for their safety.
- Supervise children to ensure that they do not play with the appliance.
- Cleaning and user maintenance shall not be made by children without supervision.
- Always disconnect the appliance from the power supply before maintenance.
- Do not attempt to open or service the appliance yourself. Service must be done by the manufacturer, service agent or similarly qualified personnel using only original Blueair spare parts.
- Ensure that the power cable and the power plug are not at risk of getting damaged. To avoid hazard, a damaged power cable must always be replaced by the manufacturer, service agent or similarly qualified person.
- If the appliance is damaged or malfunctions, turn it off, disconnect it from the power supply and contact Blueair.
- The power plug must be firmly inserted in the power socket.
- When disconnecting the unit from the power supply, do not pull on the power cord, pull on the power plug.

- Use the power cable provided with your Blueair air purifier to plug directly and firmly into an appropriate, electrical outlet.
- Do not use an extension cord or a power strip. Refer to the rating label on your appliance.
- Do not alter the power plug in any way. If the plug does not fit into the outlet, contact qualified personnel to install the proper outlet.
- Do not use the included power cord for anything else but the appliance.
- Do not allow objects to enter or block the air inlets and air outlets as this can cause electric shock or damage the appliance.
- Do not place any liquids on top of the product.
- Do not put any objects heavier than 10kg on top of the product.
- Do not put any objects directly against the appliance.
- Do not sit on, stand, climb onto or hang from the appliance.
- Keep the appliance, including the power cable, at a safe distance from heated surfaces and open fire.
- Keep the appliance and power plug away from water and other liquids.
- Keep the appliance and power plug away from chemicals such as pesticides and deodorants.
- Place the appliance on the floor. The appliance must be placed on a stable surface.
- Do not use the appliance outdoors or in wet environments such as bathrooms, laundry rooms or pool areas.

Get started

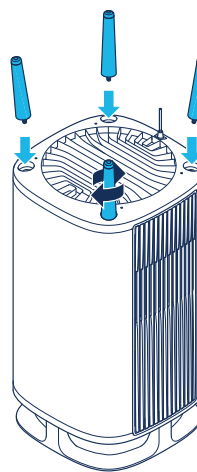
Step 1

Carefully place the unit with the table top down on a stable soft surface.



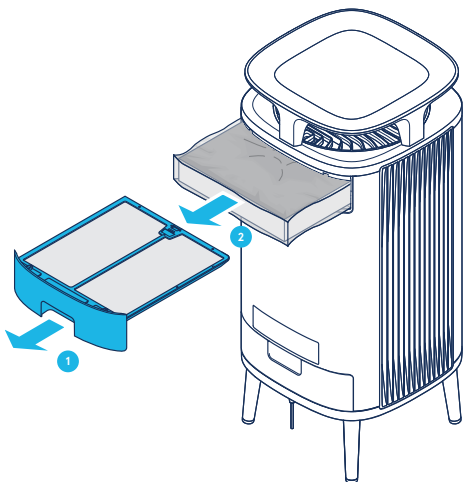
Step 2

Attach the four legs onto the unit by screwing them on.



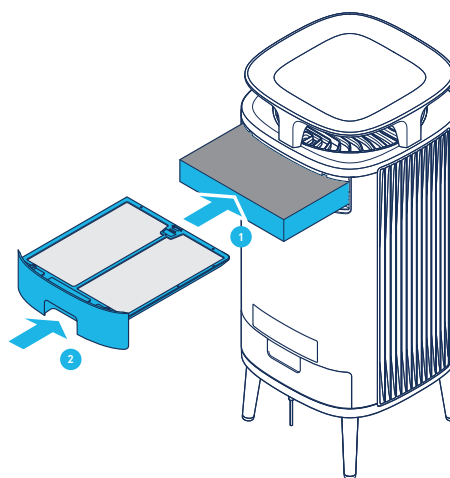
Step 3

Open the top filter hatch, pull out the main filter and remove the protective plastic wrapping.



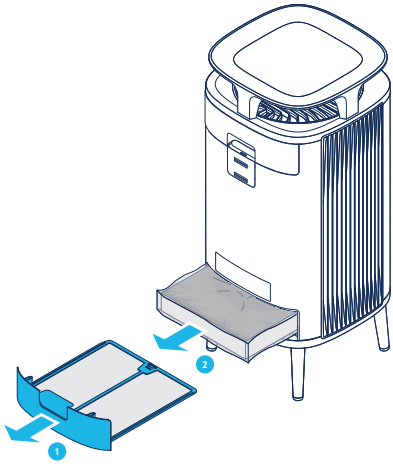
Step 4

Insert the main filter back into the unit, and close the filter hatch.



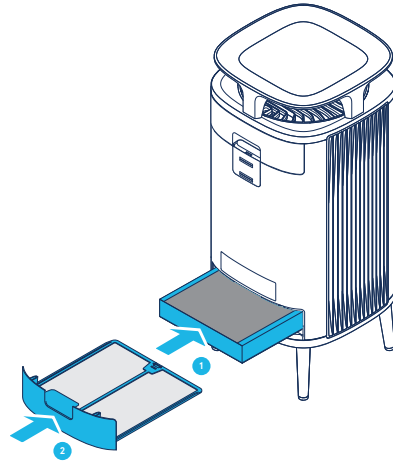
Step 5

Open the bottom filter hatch, pull out the main filter and remove the protective plastic wrapping.



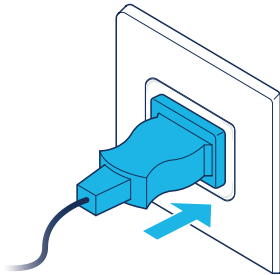
Step 6

Place the main filter back into the unit, and close the filter hatch.



Step 7

Plug the power adapter into a wall outlet.



Step 8

Press the On/Off button to turn the unit on.



See section Filters for more information regarding filter handling.

Connect to the Blueair app

Connecting the air purifier to the Blueair app allows you to control the air purifier remotely and change the settings. The app adds additional functions to the air purifier.

Step 1

Download the Blueair app from the App store or Google play.

Step 2

Open the Blueair app and follow the instructions to connect it to the air purifier.

Controls and indicators

Control the air purifier using the buttons on the control panel or using the Blue air app. The LED light below the symbol indicates active status.

On/Off



Press to turn On or Off.

Note! Wi-Fi continues to be in operation when the air purifier is turned off.

Airflow speed

Available airflow speed options are: 0, 1, 2, 3, Auto mode and Night mode.



Press to switch between airflow speed options, Auto mode and Night mode.

Auto mode



In Auto mode the air purifier automatically controls the airflow based on air quality information from the sensor.

Night mode



In Night mode the air purifier uses low fan speed and dimmed LED lights. The brightness of the LED is possible to set in the Blueair app.

Autostart

The air purifier has an Autostart feature. This means that the unit will automatically restart at the set speed if a power failure occurs, the unit is unplugged or a power switch timer is used.

Wi-Fi Connection



A Wi-Fi function is available on all models and allows the air purifier to connect to the Blueair app and to receive functional updates.
The LED light below the symbol indicates status.

Indicators



Status White light
Connected to Wi-Fi network.



Status White "pulsating" light
Wi-Fi On, ready for onboarding.



Status White fast "blinking" light
Connection error.

See the Blueair app for further information regarding Wi-Fi connection.
For support, visit www.blueair.com/customer-support

Filter indicator

The air purifier calculates the remaining lifetime of the filters based on usage and sensor readings, and indicates when it is time to replace the filters.



Status Filter replacement
No lifetime left of the filter.

Air quality information

The air quality levels for particulate matter (PM) are indicated using a color scale on the air quality indicator. This scale gives a reading for PM2.5, which are particles with a diameter of 2.5 micrometers or less.

Air quality level

	Very Polluted
	Slightly Polluted
	Moderate
	Good
	Excellent
	Data not available

See the Blueair app for further information regarding air quality.

Filters

The air purifier is delivered with two pre-filters and two main filters installed. The filters purify the air from particles and gases. For best performance, clean the pre-filters regularly and change the main filters when the air purifier indicates filter change. To find the right main filter for your air purifier, use the Blueair app or visit www.blueair.com. The model number of your air purifier can be found on the rating label on the air purifier.

Important! Always turn off and disconnect the appliance from the power supply before changing filters, cleaning or carrying out maintenance procedures.

Important! Do not use the unit without filters.

Blueair filter subscription program

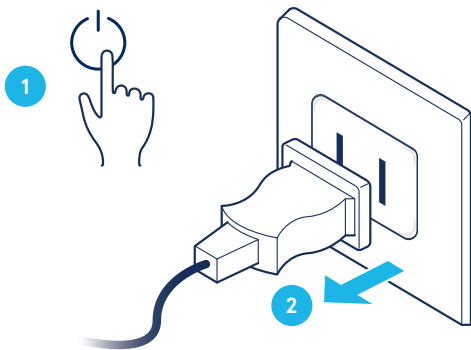
Use the Blueair app or visit www.blueair.com to sign up for the Blueair filter subscription program. (Not available in all markets)

Clean the pre-filters

For best performance, clean the pre-filters weekly.

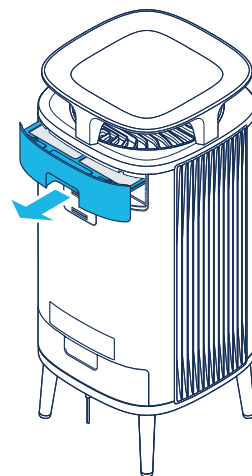
Step 1

Turn the unit off and unplug it.



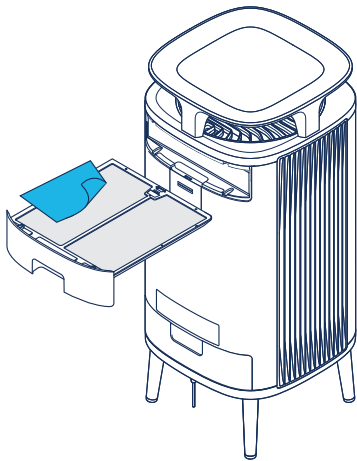
Step 2

Open the top filter hatch and pull out the pre-filter.



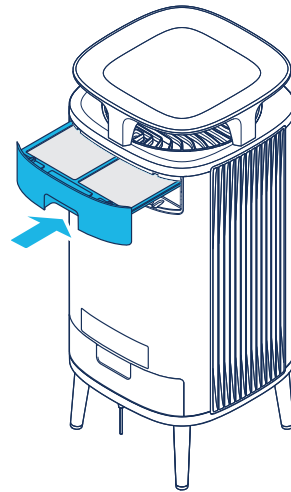
Step 3

Clean the pre-filter by wiping it with a dust cloth.



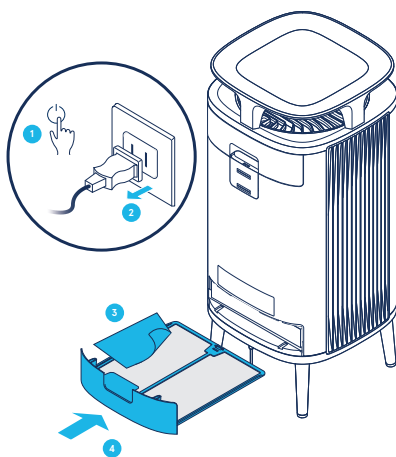
Step 4

Place the pre-filter back into the unit and close the filter hatch.



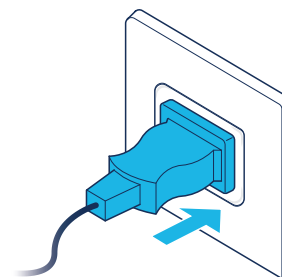
Step 5

Repeat step 1-4 on the bottom pre-filter.



Step 6

Plug in the unit.



Change the main filters

The air purifier calculates the remaining lifetime of the filters based on usage and sensor readings, and indicates when it is time to change filter. The recommended time for filter change is between 6-12 months depending on the indoor conditions.

A filter replacement indicator indicates when it is time to change the filters.

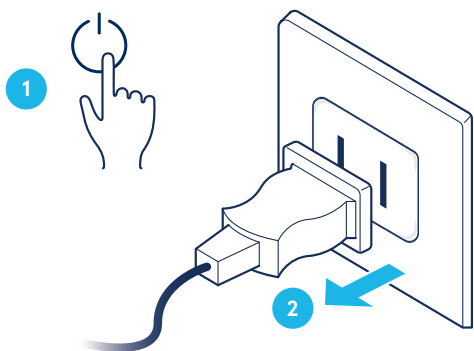


Filter replacement indicator

Important! Use only original Blueair filters suitable for the model to ensure proper function and performance of the air purifier, and to qualify for full warranty coverage.

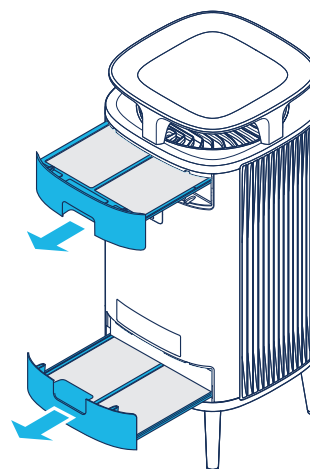
Step 1

Turn the unit off and unplug it.



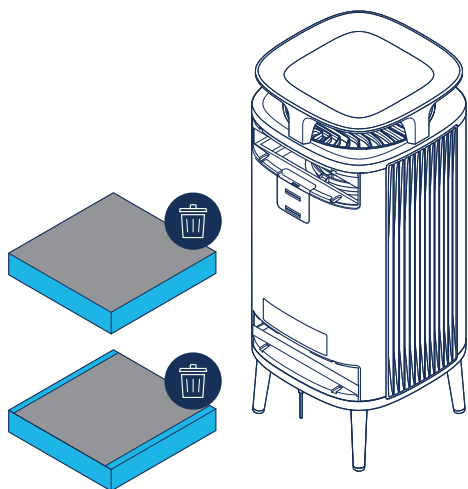
Step 2

Open the two filter hatches.



Step 3

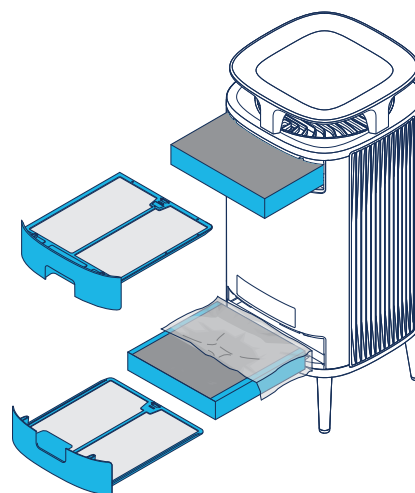
Remove and dispose of the old main filters.



Step 4

Note! Remove the protective plastic from the new main filters before use.

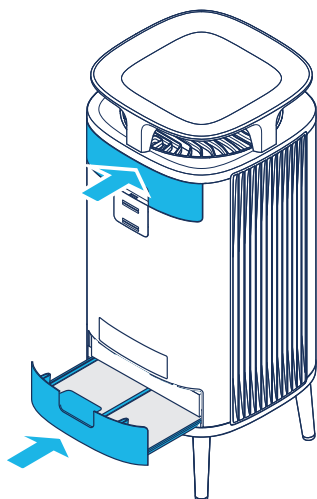
Insert the new main filters.



Step 5

Close the two filter hatches.

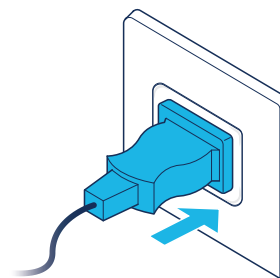
Note! Make sure that the filter hatches are closed correctly.



Step 6

Plug in the unit.

Note! Press the airflow speed button for 15s to reset the filter timer.



Care and maintenance

General

- Disconnect the air purifier from the power supply before maintenance.
- Do not allow foreign objects to enter the air inlets or air outlets. This may cause electric shock or damage the air purifier.
- Never clean with gasoline, chemical solvents or corrosive materials as these agents may damage the air purifier.
- Make sure the air purifier is completely dry before connecting it to power.
- Do not wash the main filter. The main filter is not washable or reusable.

Cleaning

- Clean the pre-filters by wiping with a dust cloth or vacuuming with a soft brush attachment (not included).
- Wipe the exterior of the air purifier with a soft, clean, damp cloth.
- Vacuum the small air inlets with a soft brush attachment (not included).
- Vacuum the inside of the air purifier with a soft brush attachment (not included).
- Clean and check the power cable and power plug for wear or damages.
- Clean the sensor when changing the main filter.

Moving the air purifier

Important!

- Unplug the air purifier before moving it.
- Make sure that the filter hatches on the air purifier are securely closed.
- Lift the air purifier to move it. Do not drag or push the air purifier.

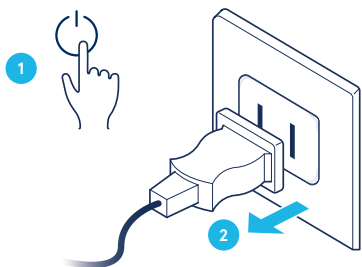
Clean the air quality sensor

The inlet for the air quality sensor is located at the back of the air purifier. Vacuum the opening to clean the inlet for the sensor.

Important! Do not use fingers or any unrecommended objects to clean inside the sensor inlet.

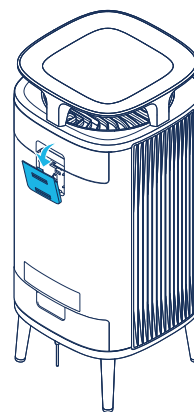
Step 1

Turn the unit off and unplug it.



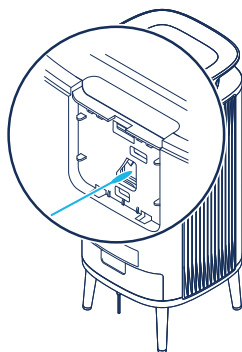
Step 2

Remove the lid covering the sensor.



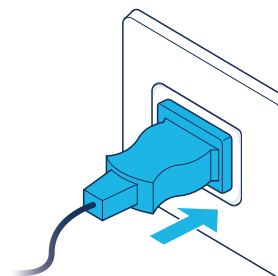
Step 3

Gently clean the sensor with a cotton swab, and attach the sensor lid.



Step 4

Plug in the unit.



Disposal and recycling

This air purifier should be disposed or recycled as electrical waste and the filter may be recycled as plastic. If you have questions regarding the disposal and recycling of this air purifier, please contact your local recycling facility for availability or Blueair dealer and ask for the correct method of recycling.

Help and support

If you have questions about your product, please visit www.blueair.com or contact your local Blueair retailer.

To contact Blueair for personalized support, please visit www.blueair.com/customer-support

Warranty information

The Blueair Limited Warranty applies only if the air purifier is installed, used and maintained according to the instructions in this manual.

For warranty conditions, please visit www.blueair.com/warranty

Warranty and returns

If you purchased the air purifier at one of our authorized retailers, please contact the same store to request assistance.

Specifications

	5210i/5240i	5410i/5415i/5440i
Input Power, Frequency	100-240VAC 50/60Hz	100-240VAC 50/60Hz
Power consumption/ Rated input power (min/max) ¹	5-22W	7-42W
Sound level (min/max) ²	22-45 dB	30-50 dB
Recommended room size ³	212 ft ² (20 m ²)	357 ft ² (33 m ²)
CADR Smoke ³	137 cfm (232 m ³ /h)	230 cfm (391 m ³ /h)
CADR Dust ³	133 cfm (226 m ³ /h)	240 cfm (408 m ³ /h)
CADR Pollen ³	140 cfm (238 m ³ /h)	255 cfm (433 m ³ /h)

¹According to UL867:2011

²Sound pressure according to GB/T18801

³According to AHAM AC-1-2019

Regulatory information

WARNING: Changes or modifications to this unit not expressly approved by the party responsible for compliance could void the user's authority to operate the equipment.

NOTE: This equipment has been tested and found to comply with the limits for a Class B digital device, pursuant to Part 15 of the FCC Rules. These limits are designed to provide reasonable protection against harmful interference in a residential installation. This equipment generates, uses and can radiate radio frequency energy and, if not installed and used in accordance with the instructions, may cause harmful interference to radio communications.

However, there is no guarantee that interference will not occur in a particular installation. If this equipment does cause harmful interference to radio or television reception, which can be determined by turning the equipment off and on, the user is encouraged to try to correct the interference by one or more of the following measures:

- Reorient or relocate the receiving antenna.
Increase the separation between the equipment and receiver.
- Connect the equipment into an outlet on a circuit different from that to which the receiver is connected.
- Consult the dealer or an experienced radio/TV technician for help.

This device complies with Part 15 of the FCC Rules. Operation is subject to the following two conditions:

1. this device may not cause harmful interference, and
2. this device must accept any interference received, including interference that may cause undesired operation.

This device contains licence-exempt transmitter(s)/receiver(s) that comply with Innovation, Science and Economic Development Canada's licence-exempt RSS(s). Operation is subject to the following two conditions: (1) This device may not cause interference, and (2) This device must accept any interference, including interference that may cause undesired operation of the device.

This Class B digital apparatus complies with Canadian ICES-003.

FCC/ISED RF Exposure Information: This equipment should be installed and operated with a minimum distance of 20 centimeters between the radiator and your body.

Veuillez lire attentivement ce manuel d'utilisation et le conserver pour vous y reporter ultérieurement.

La dernière version de ce manuel d'utilisation est disponible sur www.blueair.com

Remarque : il peut exister des variantes locales de ces modèles.

Nom du produit :	Numéro de modèle :
5210i	523111000
5240i	523112000
5410i	543111000
5415i	543111000
5440i	543112000

Content

DustMagnet™	24
Consignes de sécurité	26
Prise et main	28
Commandes et indicateurs	31
Filtres	34
Entretien et maintenance	38
Élimination et recyclage	40
Aide et support	40
Informations de garantie	40
Caractéristiques techniques	41
Informations réglementaires	42

Blueair DustMagnet™

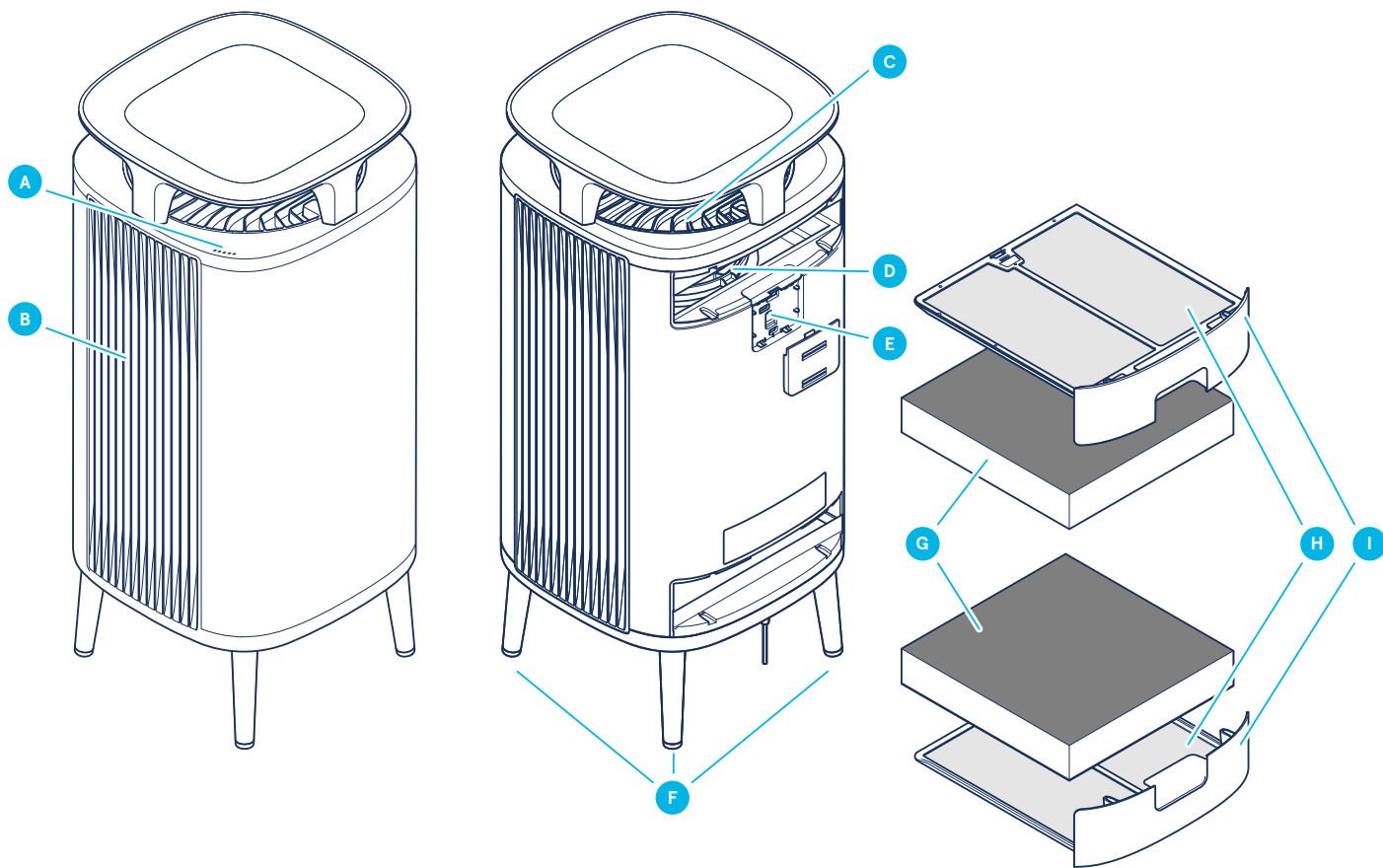
Il existe quatre modèles du purificateur d'air Blueair DustMagnet™. Ils sont tous compatibles Wi-Fi et possèdent deux pré-filtres et deux principaux ComboFilter filtres pour purifier l'air. Tous les modèles DustMagnet disposent de commandes et d'un capteur intégré.

Le purificateur d'air est principalement composé d'un moteur, d'un ventilateur et de filtres. Il élimine les polluants de l'air d'une pièce pour améliorer la qualité de l'air intérieur.

Vous pouvez modifier les paramètres du purificateur d'air à tout moment en utilisant son panneau de contrôle ou à distance à l'aide de l'application Blueair. Des fonctions supplémentaires sont disponibles pour tous les modèles grâce à l'application Blueair.

Recommandations pour des performances optimales

- Utilisez le purificateur d'air dans un espace qui ne dépasse pas la taille de pièce recommandée.
- Placez le purificateur d'air dans un endroit où l'air peut circuler librement à l'intérieur, à l'extérieur et autour de l'appareil.
- Ne placez pas le purificateur d'air à moins de 4"/10 cm d'un autre objet.
- Pendant le fonctionnement, maintenez fermées les portes et les fenêtres de la pièce où est installé le purificateur d'air.
- N'utilisez que des filtres Blueair d'origine.
- Changez le filtre principal lorsque l'indicateur de remplacement du filtre s'affiche sur le panneau de contrôle.
- Suivez les instructions d'entretien de ce manuel d'utilisation.



A Panneau de contrôle

B Sortie d'air

C Entrée d'air

D Ventilateur et moteur

E Capteur de qualité de l'air

F Pieds

G Filtres principaux

H Pré-filtres

I Trappe du filtre

J Adaptateur secteur (non illustré)

K Manuel d'utilisation (non illustré)

Consignes de sécurité

Les purificateurs d'air Blueair DustMagnet™ étant des appareils électriques destinés à être utilisés uniquement à l'intérieur, prenez les précautions nécessaires pour réduire le risque d'incendie, de choc électrique ou de blessure.

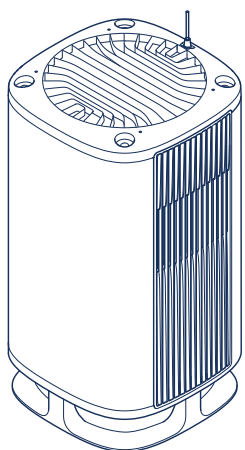
- Cet appareil n'est pas conçu pour être utilisé par des personnes (notamment des enfants) dont les facultés physiques, sensorielles ou mentales sont réduites ou qui manquent d'expérience et de compétences, à moins qu'elles n'aient été supervisées ou formées à l'utilisation de l'appareil par une personne responsable de leur sécurité.
- Surveillez les enfants pour vous assurer qu'ils ne jouent pas avec l'appareil.
- Débranchez toujours l'appareil de l'alimentation électrique avant de procéder à l'entretien.
- Ne modifiez pas la fiche d'alimentation de quelque manière que ce soit et n'essayez pas d'ouvrir ou d'entretenir l'appareil vous-même. L'entretien doit être effectué par le fabricant, l'agent de maintenance ou une personne disposant d'une qualification similaire en utilisant uniquement des pièces de rechange Blueair d'origine.
- Assurez-vous que le câble d'alimentation et la fiche d'alimentation ne risquent pas d'être endommagés. Pour éviter tout risque, un câble d'alimentation endommagé doit toujours être remplacé par le fabricant, l'agent de maintenance ou une personne disposant d'une qualification similaire.
- Si l'appareil est endommagé ou fonctionne mal, mettez-le hors tension, débranchez-le et contactez Blueair.
- La fiche d'alimentation doit être fermement insérée dans la prise de courant.
- Lorsque vous débranchez l'appareil de l'alimentation électrique, ne tirez pas sur le câble électrique, mais sur la fiche d'alimentation.

- Utilisez le câble d'alimentation mis à la terre fourni avec votre purificateur d'air Blueair pour le brancher directement et fermement à une prise électrique appropriée, mise à la terre. Reportez-vous à la plaque signalétique de votre appareil.
- N'utilisez pas le câble électrique fourni pour autre chose que l'appareil.
- Ne laissez pas d'objets entrer ou bloquer les entrées et sorties d'air, au risque de provoquer un choc électrique ou d'endommager l'appareil.
- Ne placez aucun liquide au-dessus du produit.
- Ne placez aucun objet pesant plus de 10kg sur le produit.
- Ne placez aucun objet directement contre l'appareil.
- Ne vous asseyez pas, ne vous mettez pas debout, ne grimpez pas sur l'appareil et ne vous y accrochez pas.
- Maintenez l'appareil, y compris le câble d'alimentation, à une distance suffisante des surfaces chauffées et des feux ouverts.
- Maintenez l'appareil et la fiche d'alimentation à l'écart de l'eau et d'autres liquides.
- Tenez l'appareil et la fiche d'alimentation à l'écart des produits chimiques, tels que les pesticides et les déodorants.
- Placez l'appareil sur un sol. L'appareil doit être placé sur une surface stable.
- N'utilisez pas l'appareil à l'extérieur ou dans des environnements humides, tels que les salles de bain, les buanderies ou les piscines.
- Cet appareil peut être utilisé par des enfants âgés de plus de 8 ans et des personnes dont les facultés physiques, sensorielles ou mentales sont réduites ou qui manquent d'expérience et de compétences, à condition qu'ils aient été supervisés ou formés à l'utilisation sécurisée de l'appareil et qu'ils comprennent les risques encourus.
- Les enfants ne doivent pas jouer avec l'appareil.
- Le nettoyage et l'entretien par l'utilisateur ne doivent pas être effectués par un enfant non supervisé.

Prise en main

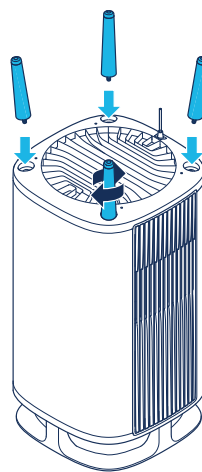
Étape 1

Placez précautionneusement l'appareil à l'envers sur une surface douce et stable.



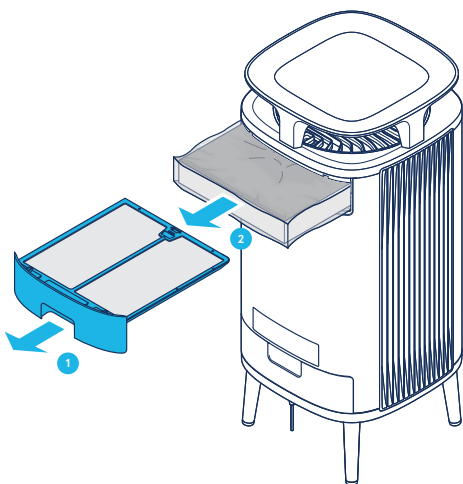
Étape 2

Fixez les quatre pieds à l'appareil à l'aide de vis.



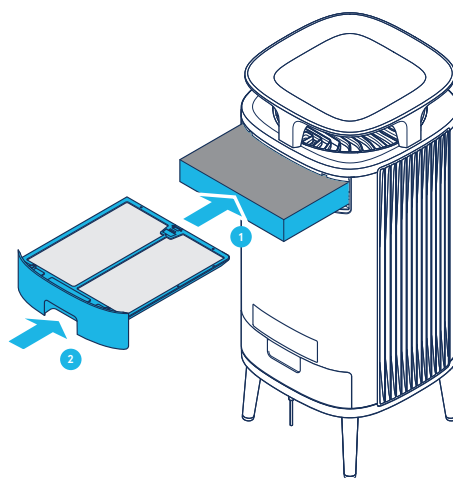
Étape 3

Ouvrez la trappe du filtre située au-dessus, sortez le filtre principal et retirez l'emballage plastique de protection.



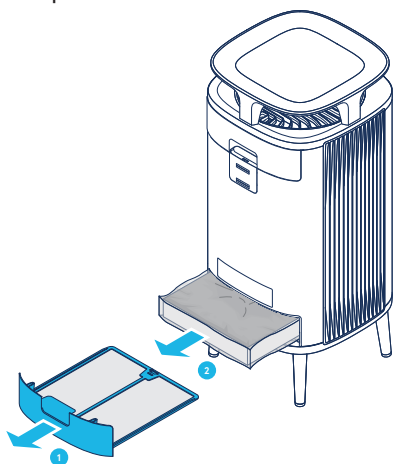
Étape 4

Insérez le filtre principal dans l'appareil et fermez sa trappe.



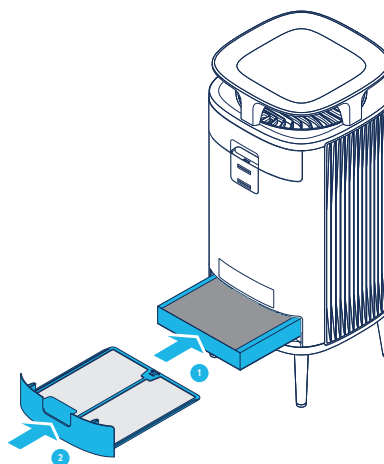
Étape 5

Ouvrez la trappe du filtre située en dessous, sortez le filtre principal et retirez l'emballage plastique de protection.



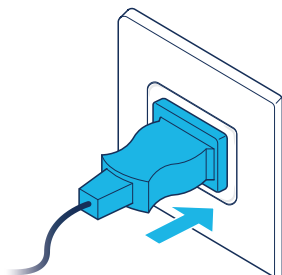
Étape 6

Remettez le filtre principal dans l'appareil et fermez sa trappe.



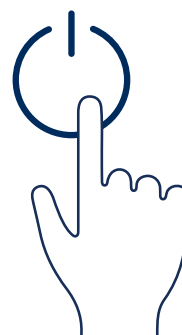
Étape 7

Branchez l'adaptateur secteur dans une prise murale.



Étape 8

Appuyez sur le bouton Allumer/éteindre pour mettre l'appareil en marche.



Consultez la section Filtres pour obtenir plus d'informations sur la manipulation des filtres.

Connexion à l'application Blueair

En connectant le purificateur d'air à l'application Blueair, vous pouvez commander l'appareil à distance et modifier ses paramètres. L'application ajoute des fonctions supplémentaires au purificateur d'air.

Étape 1

Téléchargez l'application Blueair à partir de l'App Store.

Étape 2

Ouvrez l'application Blueair et suivez les consignes pour la connecter au purificateur d'air.

Commandes et indicateurs

Commandez le purificateur d'air à l'aide des boutons du panneau de contrôle ou de l'application Blue air.

Allumer/éteindre



Appuyez sur cette touche pour allumer ou éteindre l'appareil.

Remarque ! Le Wi-Fi et le capteur continuent de fonctionner lorsque le purificateur d'air est éteint.

Vitesse du flux d'air

Les options de vitesse de débit d'air disponibles sont : 0, 1, 2, 3, mode automatique et mode nuit.



Appuyez sur cette touche pour alterner entre les options de vitesse, le mode automatique et le mode nuit

Mode automatique



En mode automatique, le purificateur d'air régule automatiquement le débit d'air en fonction des informations sur la qualité de l'air fournies par le capteur.

Mode nuit



En mode nuit, le purificateur d'air utilise une vitesse réduite de ventilateur et la lumière de ses voyants est de faible intensité. Vous pouvez régler la luminosité des voyants via l'application Blueair.

Démarrage automatique

Le purificateur d'air dispose d'une fonction de démarrage automatique. Cela signifie que l'appareil redémarrera automatiquement à la vitesse définie en cas de coupure de courant, s'il est débranché ou si une minuterie d'interrupteur est utilisée.

Connexion Wi-Fi



Une fonction Wi-Fi est disponible sur tous les modèles et permet au purificateur d'air de se connecter à l'application Blueair et de recevoir les mises à jour fonctionnelles. Le voyant LED sous le symbole indique l'état.

Indicateurs



État : voyant blanc
Connecté au réseau Wi-Fi.



État : voyant blanc pulsé
Wi-Fi activé, prêt pour l'intégration.



État : voyant blanc clignotant rapidement
Erreur de connexion.

Consultez l'application Blueair pour obtenir plus d'informations sur la connexion Wi-Fi. Pour obtenir de l'aide, consultez le site www.blueair.com/customer-support

Indicateur de filtre

Le purificateur d'air calcule la durée de vie restante des filtres en fonction de l'utilisation et des relevés des capteurs, et indique quand il est temps de les remplacer.









État : remplacement du filtre
Le filtre arrive à expiration.

Informations sur la qualité de l'air

Les niveaux de qualité de l'air concernant la matière particulaire sont indiqués à l'aide d'une échelle de couleurs sur l'indicateur de qualité de l'air.

Cette échelle donne une lecture pour les PM_{2,5}, qui sont des particules d'un diamètre de 2,5 micromètres ou moins.

Niveau de qualité de l'air

	Très pollué
	Légèrement pollué
	Moyenne
	Bonne
	Excellente
	Données non disponibles

Consultez l'application Blueair pour obtenir plus d'informations sur la qualité de l'air.

Filtres

Le purificateur d'air est fourni avec deux pré-filtres et deux filtres principaux installés. Les filtres purifient l'air de ses particules. Pour des performances optimales, nettoyez les pré-filtres régulièrement et remplacez les filtres principaux lorsque le purificateur d'air indique que les filtres doivent être changés. Pour déterminer le filtre principal qu'il faut vous procurer pour votre purificateur d'air, utilisez l'application Blueair ou visitez www.blueair.com. Le numéro de modèle de votre purificateur d'air se trouve sur la plaque signalétique au bas de l'appareil.

Important ! Éteignez et débranchez toujours l'appareil avant de changer ses filtres, de le nettoyer ou de réaliser la procédure d'entretien.

Important ! N'utilisez pas l'appareil sans filtres.

Programme d'abonnement aux filtres Blueair

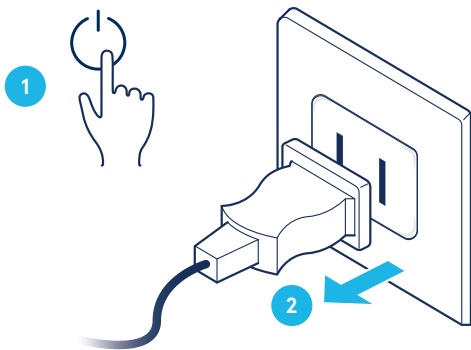
Utilisez l'application Blueair ou visitez le site www.blueair.com pour vous inscrire au programme d'abonnement aux filtres Blueair. (Pas disponible sur tous les marchés)

Nettoyage des pré-filtres

Pour des performances optimales, nettoyez les pré-filtres chaque semaine.

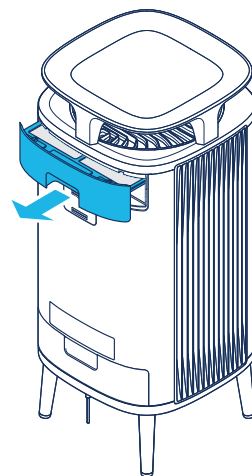
Étape 1

Éteignez et débranchez l'appareil.



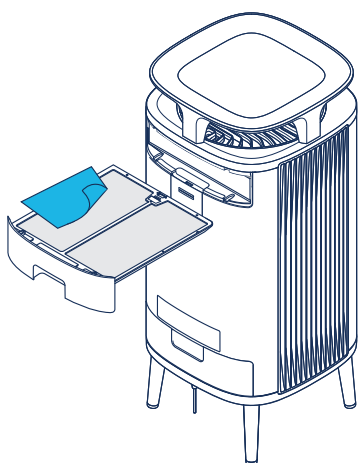
Étape 2

Ouvrez la trappe du filtre située au-dessus et sortez le pré-filtre.



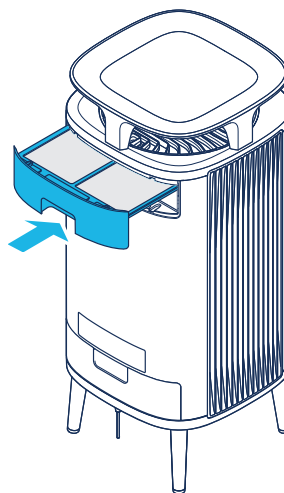
Étape 3

Nettoyez le pré-filtre en l'essuyant à l'aide d'un chiffon à poussière.



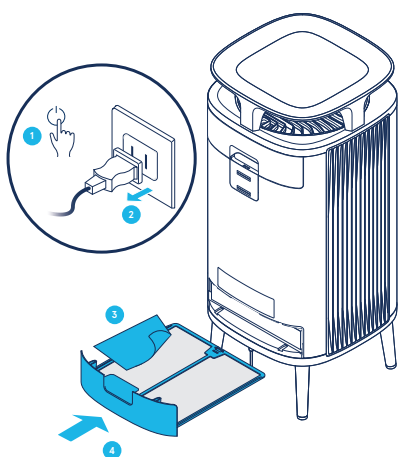
Étape 4

Remettez le pré-filtre dans l'appareil et fermez sa trappe.



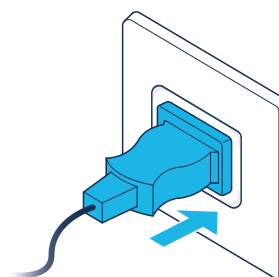
Étape 5

Répétez les étapes 1 à 4 sur le pré-filtre du dessous.



Étape 6

Branchez l'appareil.



Remplacement des filtres principaux

Le purificateur d'air calcule la durée de vie restante des filtres en fonction de l'utilisation et des relevés des capteurs, et indique quand il est temps de les changer. Le délai recommandé pour le remplacement du filtre est de 6 à 12 mois, selon les conditions intérieures.

Un indicateur de remplacement de filtre indique lorsqu'il est temps de les changer.

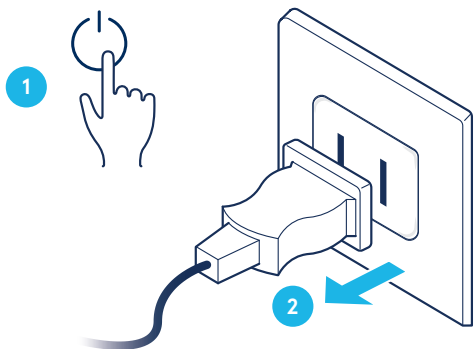


Indicateur de remplacement du filtre

Important ! Utilisez uniquement les filtres Blueair d'origine adaptés au modèle pour garantir le bon fonctionnement et les performances du purificateur d'air, et pour bénéficier d'une couverture complète de la garantie.

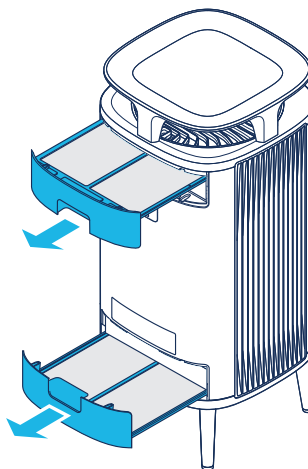
Étape 1

Éteignez et débranchez l'appareil.



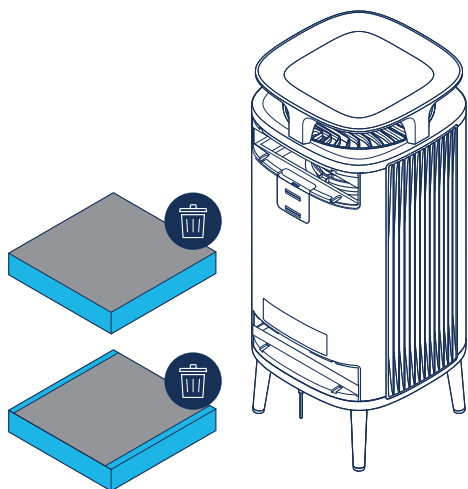
Étape 2

Ouvrez les deux trappes des filtres.



Étape 3

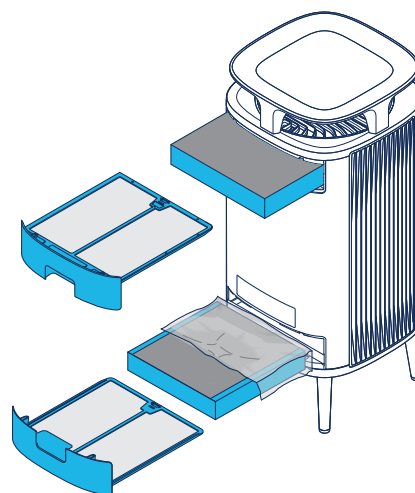
Retirez les anciens filtres principaux et jetez-les.



Étape 4

Remarque ! Retirez le plastique de protection des nouveaux filtres principaux avant de les utiliser.

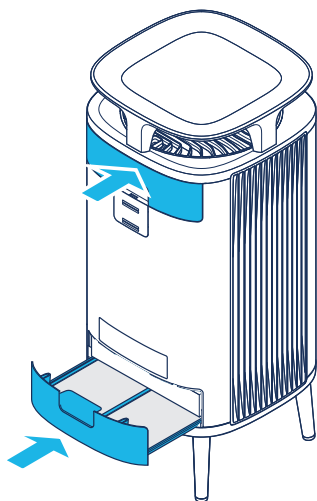
Insérez les nouveaux filtres principaux.



Étape 5

Fermez les deux trappes des filtres.

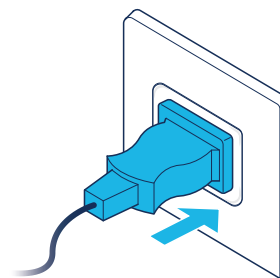
Remarque ! Assurez-vous que les trappes des filtres sont bien fermées.



Étape 6

Branchez l'appareil.

Remarque ! Appuyez sur le bouton de vitesse du flux d'air pendant 15 s pour réinitialiser la minuterie du filtre.



Entretien et maintenance

Généralités

- Débranchez le purificateur d'air de l'alimentation électrique avant de procéder à son entretien.
- Ne laissez pas de corps étrangers pénétrer dans les entrées ou les sorties d'air. Ils risqueraient de causer un choc électrique ou d'endommager le purificateur d'air.
- Ne nettoyez jamais le purificateur d'air avec de l'essence, des solvants chimiques ou des substances corrosives, car ces agents peuvent l'endommager.
- Assurez-vous que le purificateur d'air est complètement sec avant de le brancher sur le secteur.
- Ne lavez pas le filtre principal. Le filtre principal n'est ni lavable ni réutilisable.

Nettoyage

- Nettoyez les pré-filtres en les essuyant avec un chiffon à poussière ou en les aspirant à l'aide d'un aspirateur muni d'une brosse douce.
- Essuyez l'extérieur du purificateur d'air avec un chiffon doux, propre et humide.
- Aspirez les petites entrées d'air à l'aide d'une brosse douce (non inclus).
- Passez l'aspirateur à l'intérieur du purificateur d'air avec une brosse douce (non inclus).
- Nettoyez et vérifiez que le câble d'alimentation et la fiche d'alimentation ne sont pas endommagés.
- Nettoyez le capteur lors du remplacement du filtre principal.

Déplacer le purificateur d'air

Important !

- Débranchez le purificateur d'air avant de le déplacer.
- Assurez-vous que les trappes des filtres du purificateur d'air sont bien fermées.
- Soulevez le purificateur d'air pour le déplacer. Ne traînez et ne poussez pas le purificateur d'air.

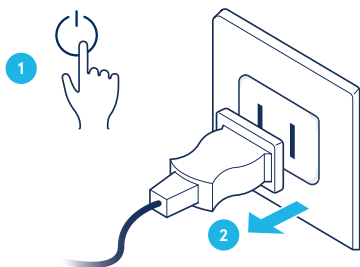
Nettoyage du capteur de qualité de l'air

L'entrée pour le capteur de qualité de l'air est située à l'arrière du purificateur d'air. Passez l'aspirateur dans l'ouverture pour nettoyer l'entrée du capteur.

Important ! N'essayez pas de nettoyer l'intérieur de l'entrée du capteur avec les doigts ou des objets non recommandés.

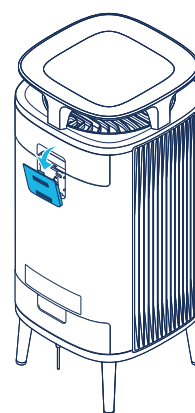
Étape 1

Éteignez et débranchez l'appareil.



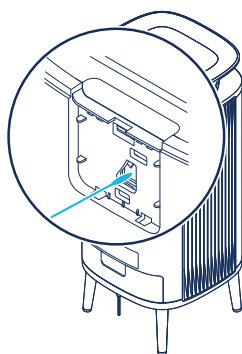
Étape 2

Retirez le couvercle recouvrant le capteur.



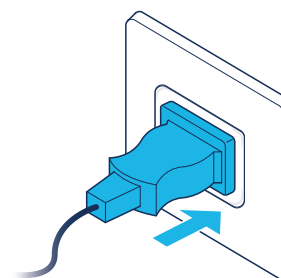
Étape 3

Nettoyez délicatement le capteur avec un coton-tige et fixez le couvercle du capteur.



Étape 4

Branchez l'appareil.



Élimination et recyclage

Ce purificateur d'air doit être recyclé en tant que déchet électronique et le filtre recyclé conformément aux réglementations locales concernant les plastiques. Si vous avez des questions concernant l'élimination de ce purificateur d'air, veuillez contacter les autorités locales ou votre revendeur Blueair et demander la méthode de recyclage correcte.

Aide et support

Si vous avez des questions sur votre produit, veuillez consulter le site www.blueair.com ou contacter votre revendeur Blueair local.

Pour contacter Blueair afin d'obtenir une assistance personnalisée, veuillez visiter www.blueair.com/customer-support

Informations de garantie

La garantie limitée Blueair ne s'applique que si le purificateur d'air est installé, utilisé et entretenu conformément aux consignes de ce manuel.

Pour plus de détails sur les conditions de garantie, veuillez consulter le site www.blueair.com/warranty

Garantie et retours

Si vous avez acheté le purificateur d'air chez l'un de nos détaillants agréés, veuillez contacter ce magasin pour demander une assistance.

Caractéristiques techniques

	5210i/5240i	5410i/5415i/5440i
Puissance d'entrée, fréquence	100-240VAC 50/60Hz	100-240VAC 50/60Hz
Consommation d'énergie (min/max) ¹	5-22W	7-42W
Pression acoustique (min/max) ²	22-45 dB	30-50 dB
Taille de la pièce ³	212 ft ² (20 m ²)	357 ft ² (33 m ²)
Fumée CADR ³	137 cfm (232 m ³ /h)	230 cfm (391 m ³ /h)
Poussière CADR ³	133 cfm (226 m ³ /h)	240 cfm (408 m ³ /h)
Pollen CADR ³	140 cfm (238 m ³ /h)	255 cfm (433 m ³ /h)

¹Selon la norme UL867:2011

²Pression acoustique selon les normes GB/T18801

³Selon la norme AHAM AC-1-2019

Informations réglementaires

L'émetteur/récepteur exempt de licence contenu dans le présent appareil est conforme aux CNR d'Innovation, Sciences et Développement économique Canada applicables aux appareils radio exempts de licence. L'exploitation est autorisée aux deux conditions suivantes :

1. L'appareil ne doit pas produire de brouillage;
2. L'appareil doit accepter tout brouillage radioélectrique subi, même si le brouillage est susceptible d'en compromettre le fonctionnement.

Cet appareil numérique de la classe B est conforme à la norme NMB-003 du Canada.

FCC/ISDE Informations sur l'exposition RF: Ce matériel doit être installé et exploité à une distance minimale de 20 cm entre le radiateur et votre corps.

Rogamos leer este manual de usuario detenidamente y guardarlo para futuras consultas.
La versión más reciente de este manual de usuario se puede encontrar en www.blueair.com

Nota: Es posible que existan variaciones a nivel local de estos modelos.

Nombre del producto:	Número de modelo:
5210i	5231111000
5240i	5231112000
5410i	5431111000
5415i	5431111000
5440i	5431112000

Índice

DustMagnet™	44
Instrucciones de seguridad	46
Pasos iniciales	48
Controles e indicadores	51
Filtros	54
Cuidados y mantenimiento	58
Eliminación y reciclaje	60
Ayuda y soporte	60
Información acerca de la garantía	60
Especificaciones	61

Blueair DustMagnet™

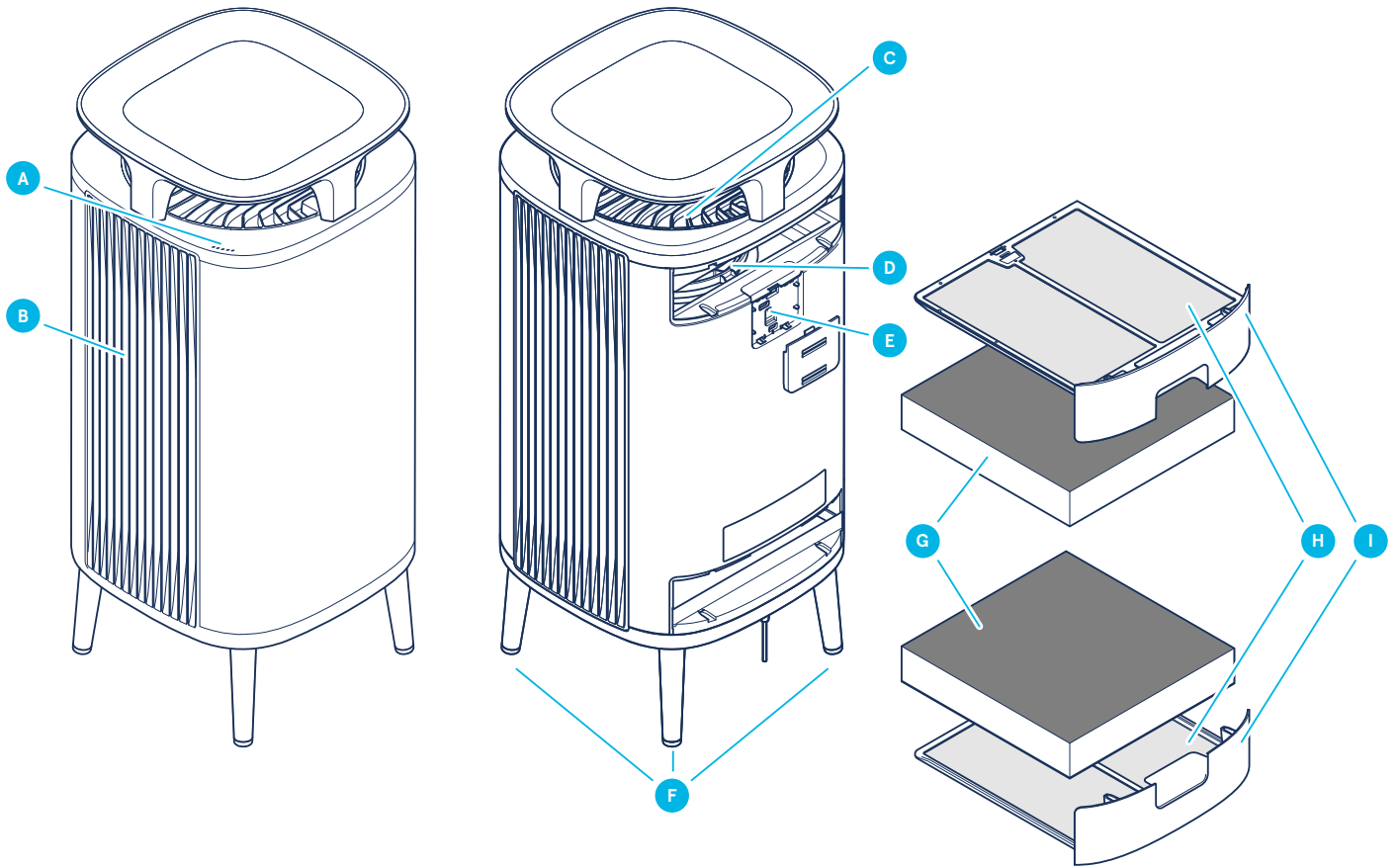
Los purificadores de aire Blueair DustMagnet™ están disponibles en cuatro modelos. Todos los modelos cuentan con conexión Wi-Fi, tienen dos prefiltros y dos filtros principales ComboFilter para purificar el aire. Todos los modelos de DustMagnet cuentan con funciones de control y un sensor integrado.

El purificador de aire está compuesto principalmente por un motor, un ventilador y filtros. El purificador de aire elimina los contaminantes del aire dentro de una estancia para mejorar la calidad del aire interior.

Puede cambiar la configuración del purificador de aire en cualquier momento con el panel de control del purificador de aire o a distancia con la aplicación Blueair. Se ofrecen funciones adicionales para todos los modelos a través de la aplicación Blueair.

Recomendaciones para un rendimiento óptimo

- Utilice el purificador de aire en una habitación que no supere la recomendación de tamaño.
- Colocar el purificador de aire en un lugar donde el aire pueda circular libremente dentro, fuera y alrededor de dicho purificador de aire.
- No colocar el purificador de aire a menos de 4 pulgadas (10 cm) de otro objeto.
- Durante el funcionamiento, mantener las puertas y ventanas de la estancia, que tiene el purificador de aire, cerradas.
- Utilizar únicamente filtros Blueair originales.
- Sustituir el filtro principal cuando aparezca el indicador de sustitución del filtro en el panel de control.
- Seguir las instrucciones de mantenimiento de este manual de usuario.



A Panel de control

B Salida de aire

C Entrada de aire

D Ventilador y motor

E Sensor de calidad del air

F Patas

G Filtros principales

H Prefiltros

I Puerta del filtro

J Adaptador de alimentación (no se muestra en la imagen)

K Manual del usuario (no se muestra en la imagen)

Instrucciones de seguridad

Los purificadores de aire **Blueair DustMagnet™** son aparatos eléctricos destinados únicamente a su uso en interiores; adopte las precauciones necesarias para reducir el riesgo de incendio, descarga eléctrica o lesiones.

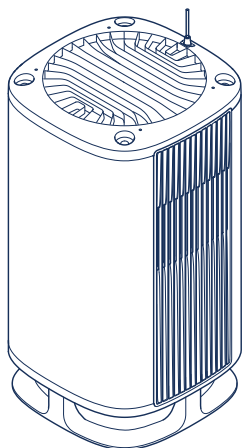
- Este aparato no deben utilizarlo personas (incluidos los niños) con capacidades físicas, sensoriales o mentales reducidas, o con falta de experiencia o conocimiento, a menos que cuenten con la supervisión o formación necesaria por parte de una persona responsable de su seguridad con respecto al uso del aparato.
- Supervise a los niños para asegurarse de que no juegan con el aparato.
- Desconecte siempre el aparato de la alimentación eléctrica antes de proceder a su mantenimiento.
- No modifique el enchufe de alimentación en modo alguno ni intente abrir o reparar el aparato por su cuenta. Las reparaciones deben ser realizadas por el fabricante, el personal de mantenimiento o una persona cualificada solo con piezas de repuesto Blueair originales.
- Asegúrese de que el cable de alimentación y el enchufe no sufran riesgo de daños. El fabricante, el personal de mantenimiento o una persona cualificada deberán reemplazar siempre cualquier cable de alimentación dañado para evitar peligros.
- Si el aparato presenta daños o no funciona adecuadamente, apáguelo, desconéctelo de la alimentación eléctrica y póngase en contacto con Blueair.
- El enchufe de alimentación debe quedar introducido firmemente en la toma de corriente.
- Cuando se desconecte la unidad de la alimentación eléctrica, no tire del cable, sino del enchufe.
- Utilice el cable de alimentación a tierra suministrado con el purificador de aire Blueair para enchufarlo directa y firmemente a una toma de tierra adecuada. Consulte la etiqueta de clasificación del aparato.

- No utilice el cable de alimentación que se incluye para enchufar otro aparato distinto al purificador.
- No permita que entren objetos en las entradas y salidas de aire ni que las bloqueen, porque esto puede provocar una descarga eléctrica o dañar el aparato.
- No coloque ningún líquido encima del producto.
- No coloque ningún objeto que pese más de 10 kg encima del producto.
- No coloque ningún objeto directamente contra el aparato.
- No se sienta ni se ponga de pie sobre el aparato, no trepe por él ni cuelgue de él.
- Mantenga el aparato, incluido el cable de alimentación, a una distancia segura de superficies calientes y hogueras.
- Mantenga el aparato y el enchufe de alimentación alejado del agua y otros líquidos.
- Mantenga el aparato y el enchufe de alimentación alejado de productos químicos como pesticidas y desodorantes.
- Coloque el aparato sobre el suelo. El aparato se debe colocar sobre una superficie estable.
- No utilizar el aparato al aire libre o en espacios húmedos tales como baños, lavaderos o piscinas.
- Este aparato puede ser utilizado por niños de 8 o más años de edad y por personas con capacidades físicas, sensoriales o mentales reducidas, o con falta de experiencia y conocimiento si cuentan con supervisión o formación sobre el uso del aparato de manera segura y entienden los peligros que implica su uso.
- Los niños no deben jugar con el aparato.
- Los niños no pueden realizar la limpieza y el mantenimiento del aparato sin supervisión.

Pasos iniciales

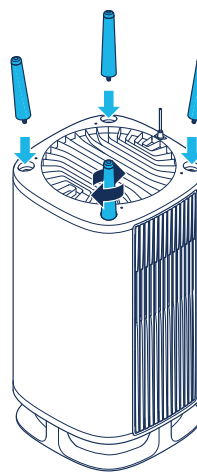
Paso 1

Coloque cuidadosamente la unidad con la tabla superior sobre una superficie suave y estable.



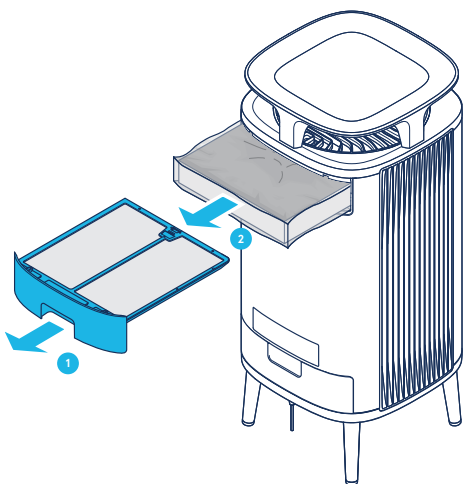
Paso 2

Atornille las cuatro patas a la unidad.



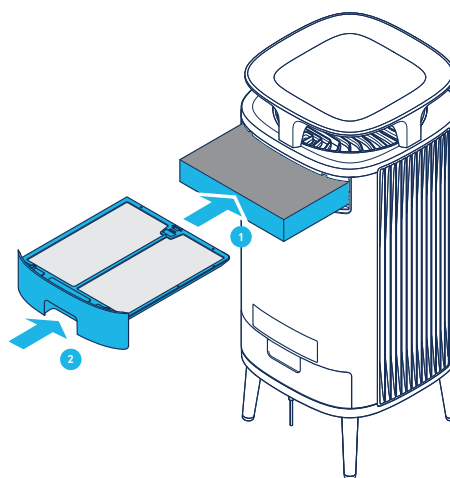
Paso 3

Abra la puerta superior del filtro, extraiga el filtro principal y retire el envoltorio de protección de plástico.



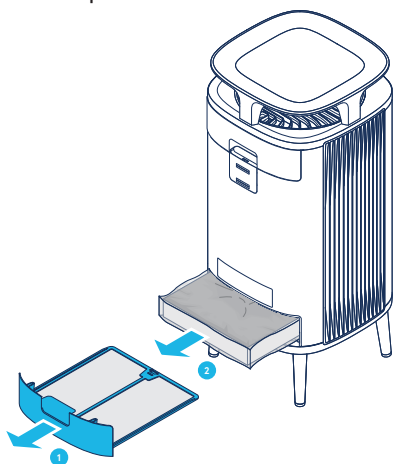
Paso 4

Vuelva a colocar el filtro principal en la unidad y cierre la puerta del filtro.



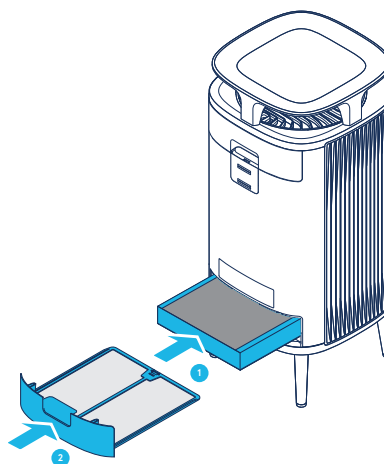
Paso 5

Abra la puerta inferior del filtro, extraiga el filtro principal y retire el envoltorio de protección de plástico.



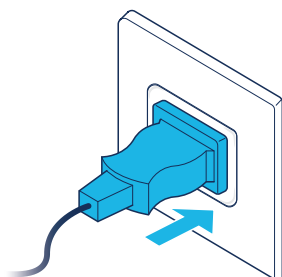
Paso 6

Vuelva a colocar el filtro principal en la unidad y cierre la puerta del filtro.



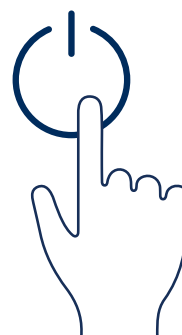
Paso 7

Conecte el adaptador de alimentación a una toma de corriente.



Paso 8

Pulse el botón de encendido/apagado para encender la unidad.



Consulte la sección Filtros para obtener más información relativa a la manipulación del filtro.

Conectarse a la aplicación Blueair

Al conectar el purificador de aire a la aplicación Blueair, puede controlar el purificador de aire a distancia y cambiar la configuración. La aplicación añade funciones adicionales al purificador de aire.

Paso 1

Descargue la aplicación Blueair de la tienda de aplicaciones.

Paso 2

Abra la aplicación Blueair y siga las instrucciones para conectarla al purificador de aire.

Controles e indicadores

Controle el purificador de aire con los botones del panel de control o con la aplicación Blueair.

Encendido/apagado



Pulse para encenderlo o apagarlo.

Nota: La conexión Wi-Fi y el sensor siguen en funcionamiento cuando el purificador de aire se apaga.

Velocidad del caudal de aire

Las opciones disponibles de velocidad del caudal de aire son: 0, 1, 2, 3, Modo automático y Modo noche.



Pulse para cambiar entre las diferentes velocidades del caudal de aire, el Modo automático y el Modo noche.

Modo automático



En el modo automático, el purificador de aire controla automáticamente el flujo de aire basándose en la información de la calidad del aire del sensor.

Modo noche



En Modo noche, el purificador de aire utiliza una velocidad de ventilador baja y luces LED atenuadas. Es posible configurar el brillo del LED en la aplicación Blueair.des voyants via l'application Blueair.

Arranque automático

El purificador de aire cuenta con una prestación de arranque automático. Esto significa que la unidad se reiniciará automáticamente a la velocidad seleccionada si ocurre un fallo de alimentación, la unidad se desconecta o se usa un enchufe con programador.

Conexión Wi-Fi



Todos los modelos cuentan con una función Wi-Fi que permite que el purificador de aire se conecte a la aplicación Blueair y reciba actualizaciones funcionales. La luz LED debajo del símbolo indica el estado.

Indicadores



Estado Luz blanca
Conectado a la red Wi-Fi.



Estado Luz blanca intermitente
Wi-Fi activado; preparado para la conexión.



Estado Luz blanca con parpadeo rápido
Error de conexión.

Consulte la aplicación Blueair para obtener más información relativa a la conexión Wi-Fi. Para obtener ayuda, visite www.blueair.com/customer-support

Indicador del filtro

El purificador de aire calcula la duración restante de los filtros en función del uso y las lecturas del sensor e indica el momento en que se han de sustituir los filtros.









Estado Sustitución del filtro
Se ha superado la duración del filtro.

Información de la calidad del aire

Los niveles de calidad del aire para el material particulado (PM) se indican mediante una escala de colores en el indicador de calidad del aire. Esta escala da una lectura de PM2.5, que son partículas con un diámetro de 2.5 micrómetros o menos.

Nivel de calidad del aire

	Muy contaminado
	Ligeramente contaminado
	Moderado
	Bueno
	Excelente
	No hay datos disponibles

Consulte la aplicación Blueair para obtener más información relativa a la calidad del aire.

Filtros

El purificador de aire se envía con dos prefiltros y dos filtros principales instalados. Los filtros purifican el aire y eliminan partículas nocivas. Para obtener el mejor rendimiento, se deben limpiar los pre-filtros con regularidad y cambiar los filtros principales cuando el purificador de aire indique el cambio de filtro. Para encontrar el filtro principal correcto para el purificador de aire, utilice la aplicación Blueair o visite www.blueair.com. El número de modelo del purificador de aire se encuentra en la etiqueta de clasificación en la parte inferior del purificador de aire.

¡Importante! Apague y desconecte siempre el aparato de la fuente de alimentación antes de cambiar los filtros, limpiarlo o realizar procedimientos de mantenimiento.

¡Importante! No utilice la unidad sin filtros.

Programa de suscripción al filtro Blueair

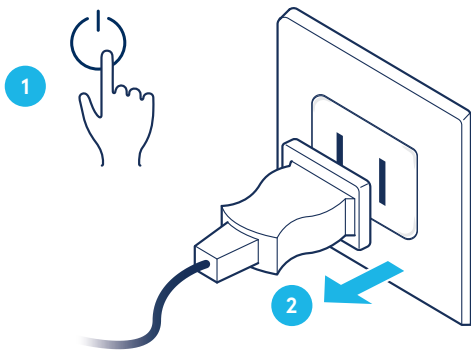
Utilizar la aplicación Blueair o visitar www.blueair.com para registrarse en el programa de suscripción al filtro Blueair. (No está disponible en todos los países)

Limpiar los prefiltros

Para un rendimiento óptimo, limpie los prefiltros una vez a la semana.

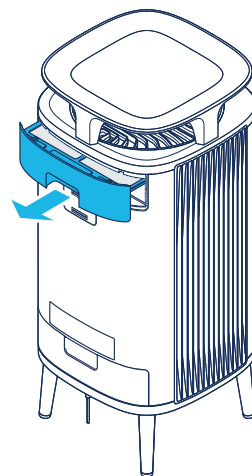
Paso 1

Apagar la unidad y desenchufarla.



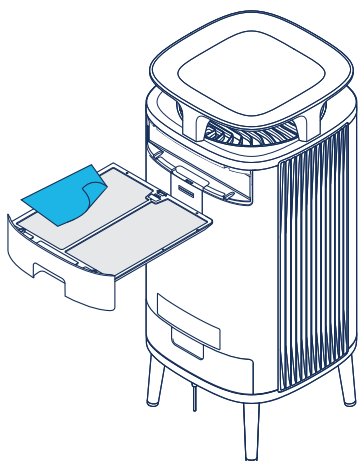
Paso 2

Abra el panel superior de filtro y extraiga el prefiltro.



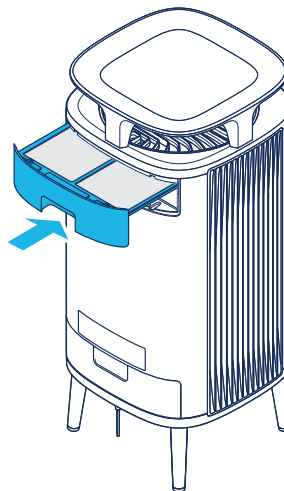
Paso 3

Limpie el prefiltro con un paño seco.



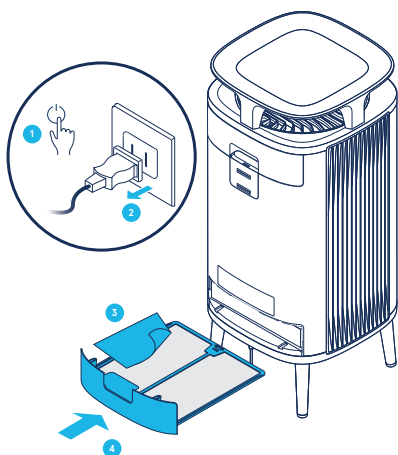
Paso 4

Vuelva a colocar el prefiltro en la unidad y cierre la puerta del filtro.



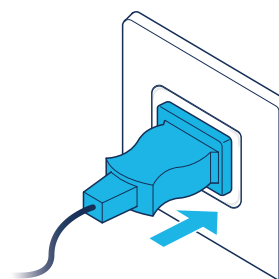
Paso 5

Repita los pasos 1-4 en el prefiltro inferior.



Paso 6

Enchufar la unidad.



Cambie los filtros principales

El purificador de aire calcula la duración restante de los filtros en función del uso y las lecturas del sensor e indica el momento en que se ha de cambiar el filtro. El tiempo recomendado para cambiar el filtro es de 6-12 meses en función de las condiciones interiores.

El indicador para sustitución del filtro señala cuándo llega el momento de cambiar los filtros.

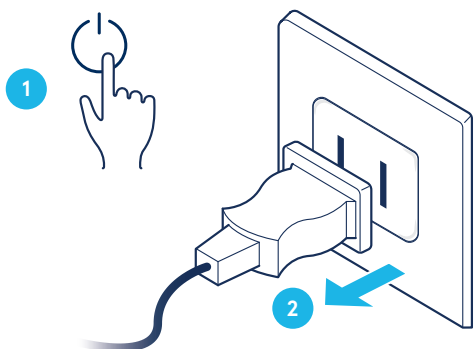


Indicador de sustitución del filtro

¡Importante! Utilizar únicamente filtros Blueair originales adecuados al modelo para garantizar el funcionamiento y el rendimiento óptimos del purificador de aire y para beneficiarse de la cobertura total de la garantía.

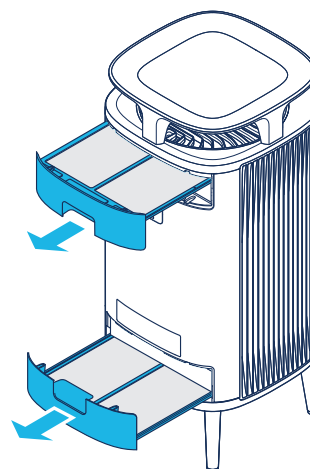
Paso 1

Apagar la unidad y desenchufarla.



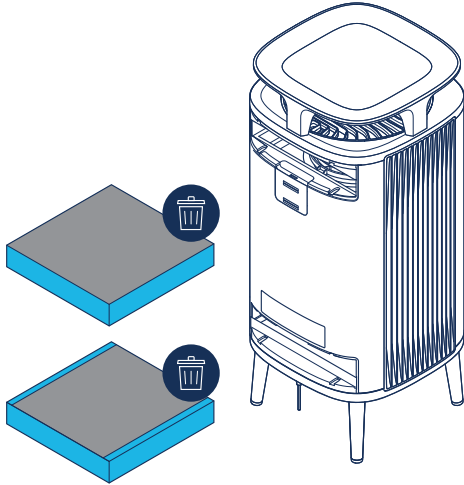
Paso 2

Abra las dos puertas de filtro.



Paso 3

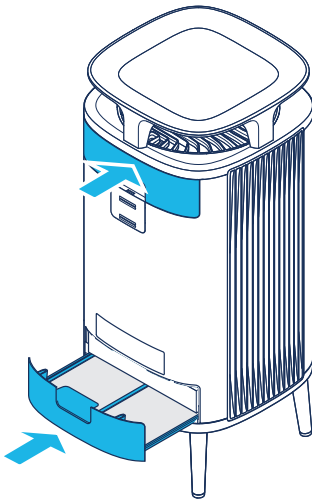
Retire y deseche los filtros principales antiguos.



Paso 5

Cierre las dos puertas de filtro.

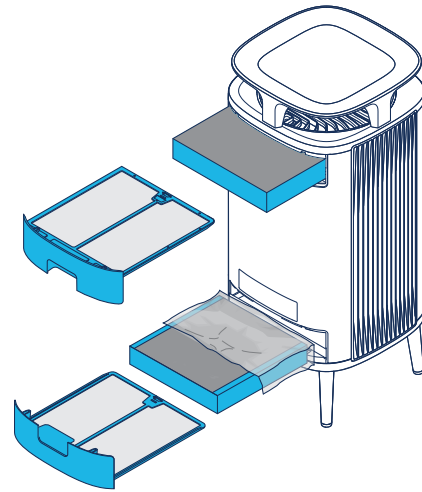
Nota: Asegúrese de que las puertas de filtro estén cerradas correctamente.



Paso 4

Nota: Retire el plástico protector de los nuevos filtros principales antes de su uso.

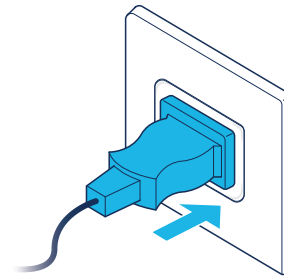
Introduzca los nuevos filtros principales.



Paso 6

Enchufar la unidad.

Nota: Presione el botón de velocidad de flujo de aire durante 15 s para restablecer el temporizador del filtro.



Cuidados y mantenimiento

General

- Desconecte el purificador de aire de la alimentación eléctrica antes de proceder a su mantenimiento.
- No permita que entren objetos extraños en las entradas o salidas de aire. Esto podría provocar una descarga eléctrica o dañar el purificador de aire.
- Nunca limpie con gasolina, disolventes químicos o materiales corrosivos, ya que estos agentes podrían dañar el purificador de aire.
- Es necesario asegurarse de que el purificador de aire esté completamente seco antes de conectarlo a la corriente.
- No lavar el filtro principal. El filtro principal no es lavable ni reutilizable.
- Ne lavez pas le filtre principal. Le filtre principal n'est ni lavable ni réutilisable.

Limpieza

- Limpie los prefiltros con un paño o aspirándolo con un accesorio de cepillo suave.
- Limpiar el exterior del purificador de aire con un paño suave, limpio y húmedo.
- aspire las entradas de aire pequeñas con un accesorio de cepillo suave (no incluido).
- aspire el interior del purificador de aire con un accesorio de cepillo suave (no incluido).
- Limpiar y comprobar el cable de alimentación así como el enchufe de alimentación para ver si hay algún desperfecto o daño.
- Limpiar el sensor al cambiar el filtro principal.

Traslado del purificador de aire

¡Importante!

- Desenchufe el purificador de aire antes de trasladarlo.
- Asegúrese de que las puertas del filtro del purificador de aire estén bien cerradas.
- Levante el purificador de aire para moverlo. No arrastre ni empuje el purificador de aire.

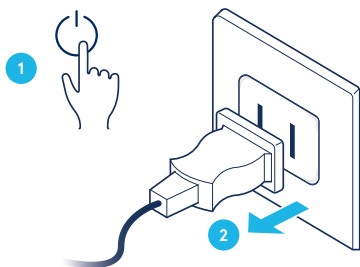
Limpiar el sensor de calidad del aire

La entrada para el sensor de calidad del aire se encuentra en la parte posterior del purificador de aire. aspire la apertura para limpiar la entrada del sensor.

¡Importante! No utilizar los dedos ni ningún objeto no recomendado para limpiar el interior de la entrada del sensor.

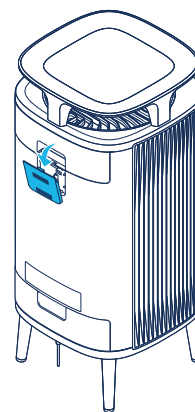
Paso 1

Apagar la unidad y desenchufarla.



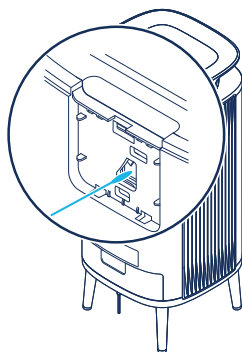
Paso 2

Retire la tapa que cubre el sensor.



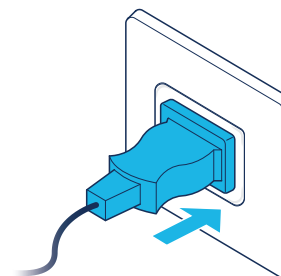
Paso 3

Limpiar el sensor suavemente con un bastoncillo de algodón y colocar la tapa del sensor.



Paso 4

Enchufar la unidad.



Eliminación y reciclaje

Según las normativas locales, este purificador de aire debe ser reciclado como residuos electrónicos y el filtro reciclado como plástico. En caso de tener preguntas sobre la eliminación de este purificador de aire, pónganse en contacto con las autoridades locales o con el distribuidor de Blueair y pregunten por el método correcto para su reciclaje.

Ayuda y soporte

En caso de tener preguntas sobre el producto, puede visitar www.blueair.com o ponerse en contacto con su distribuidor local de Blueair.

Para ponerse en contacto con Blueair para obtener soporte personalizado, visite www.blueair.com/customer-support

Información sobre la garantía

La garantía limitada de Blueair únicamente tiene validez si el purificador de aire se instala, utiliza y mantiene de acuerdo con las instrucciones de este manual.

Para conocer las condiciones de la garantía, por favor consultar www.blueair.com/warranty

Garantía y devoluciones

Si se ha comprado el purificador de aire en una de nuestras tiendas autorizadas, por favor, póngase en contacto con la misma tienda para solicitar ayuda.

Especificaciones

	5210i/5240i	5410i/5415i/5440i
Potencia de entrada, frecuencia	100-240VAC 50/60Hz	100-240VAC 50/60Hz
Consumo energético (min/max) ¹	5-22W	7-42W
Presión acústica (min/max) ²	22-45 dB	30-50 dB
Tamaño de habitación ³	212 ft ² (20 m ²)	357 ft ² (33 m ²)
Humo CADR ³	137 cfm (232 m ³ /h)	230 cfm (391 m ³ /h)
Polvo CADR ³	133 cfm (226 m ³ /h)	240 cfm (408 m ³ /h)
Polen CADR ³	140 cfm (238 m ³ /h)	255 cfm (433 m ³ /h)

¹Conforme a UL867:2011

²Presión sonora conforme a GB/T18801

³Conforme a AHAM AC-1-2019

ご使用の前に、本書を必ずよくお読みください。
 本書は紛失しないよう、大切に保管してください。
 本書の最新版データは、www.blueair.jp に掲載されています。

注意：国により取扱モデルが異なります。

商品名：

品番：

5210i	5231111000
5240i	5231112000
5410i	5431111000
5440i	5431112000

目次

Blueair DustMagnet™とは	64
各部名称	65
安全上のご注意	66
初めて使うとき	72
操作ボタン	75
フィルターについて	78
お手入れをする	82
本体を廃棄するときは	84
アフターサービスについて	84
保証について	84
主な仕様	85

Blueair DustMagnet™ とは

Blueair DustMagnet™ 空気清浄機は、4 種類のラインナップをご用意しております。すべてのモデルで Wi-Fi に対応しており、空気を清浄するための 2 枚のプレフィルターと 2 個の ComboFilters メインフィルターが設置されています。すべての DustMagnet シリーズに、操作パネルとセンサーが搭載されています。

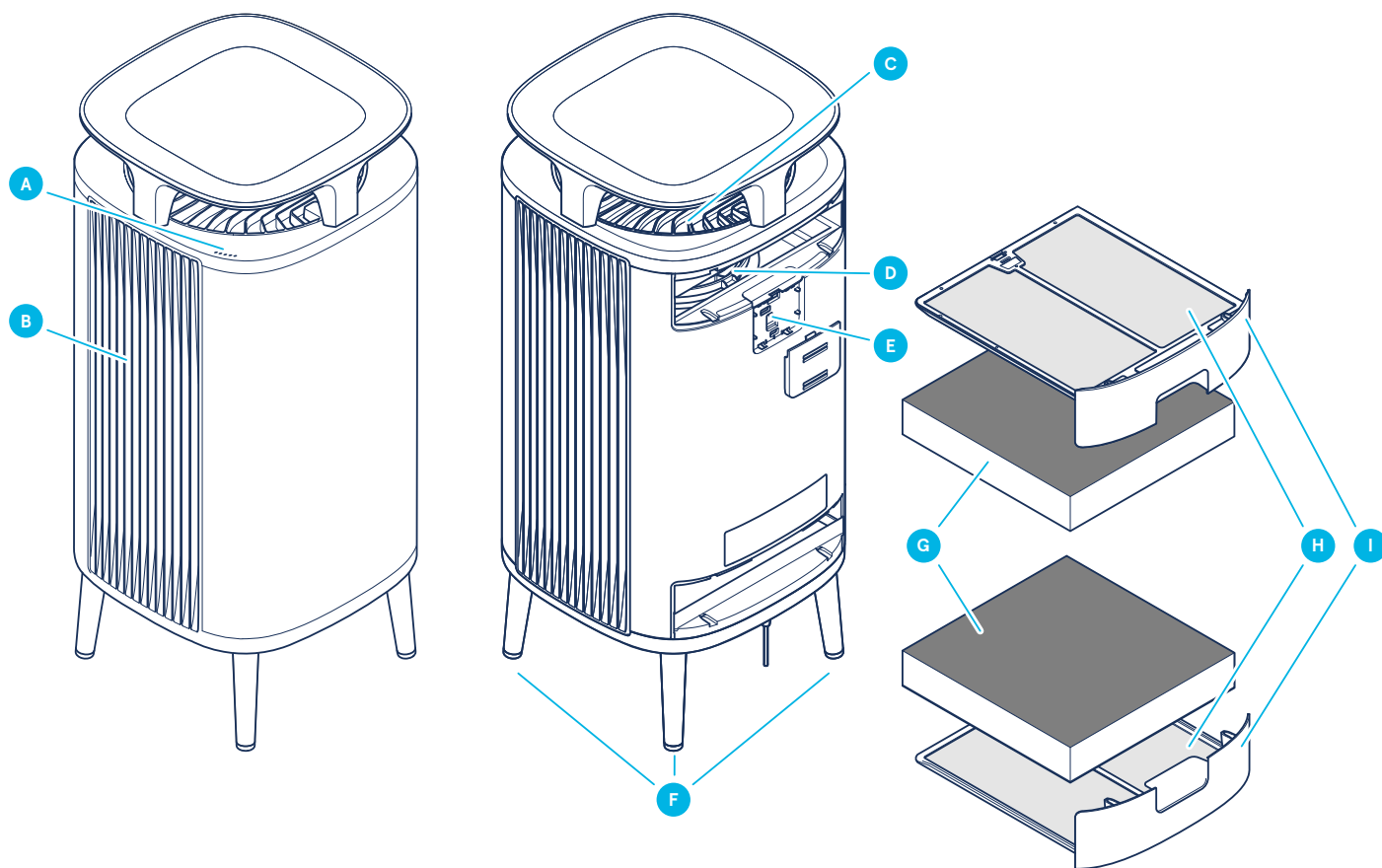
モーター、ファン、フィルターは空気清浄機を構成する最も重要な要素です。空気清浄機を正しく使用すると、室内空気から有害物質を除去して、きれいな空気の中で生活することができます。

本体の設定は、本体の操作パネルや Blueair アプリから、いつでも変更することができます。アプリはすべてのモデルで使用できます。

空気清浄性能を最大限に発揮するためには

- 推奨フロア面積を目安とした広さの空間でご使用ください。
- 本体周辺に空気が循環できるスペースを空けてご使用ください。
- 本体の周辺 10 cm 以内には物を置かないでください。
- 部屋の窓やドアを閉めた状態でご使用ください。
- Blueair の純正フィルターをご使用ください。
- 操作パネルにフィルター交換お知らせランプが点灯したら、メインフィルターを交換してください。
- 本書の内容に従って、定期的にお手入れをしてください。

各部名称



A 操作パネル

B 吹出口

C 吸込口

D ファン、モーター

E センサー

F 脚部

G メインフィルター

H プレフィルター

I フィルターハッチ

J 電源コード（上記には記載されていません）

K 取扱説明書（上図には記載されていません）

安全上のご注意

本商品は屋内使用専用です。安全を十分に考慮して設計されておりますが、一般に電気製品は取り扱いを誤ると大きな事故につながる可能性があります。次の注意事項をお守りになり、安全にご使用ください。

図記号について



指示

この行為を必ず実行してください。



禁止

この行為は禁止されています。



警告

次の警告事項を必ずお守りください。警告を守らずに使用した場合、火災や感電などにより使用者の死亡や大けがを伴う事故につながる可能性があります。



指示

煙が出る、変な臭いがするなどの異常、および故障時には、ただちに使用を中止する

そのまま使い続けると、発火や感電の原因になります。異常を感じた場合は、すぐに差込プラグを電源コンセントから抜き、「ブルーエアサービスセンター」へご連絡ください。



指示

交流100Vで使用する

本商品は日本国内用です。交流100V以外で使用すると火災の原因になります。



指示

差込プラグと電源コンセントの接続部分は、ホコリなど定期的に除去する

差込プラグにホコリがたまると、湿気などによる絶縁不良が起こり、感電や火災の原因になります。



指示

差込プラグを電源コンセントに差し込むときは、まっすぐに突き当たるまで差し込む

差込プラグが外れかけたまま使用すると、感電や火災の原因になります。



指示

電源コンセントから差込プラグを抜くときはコードを引っ張らず、必ずプラグを持って抜く

コードを引っ張ると、コードの中の電線が切れ、ショートによる感電や火災の原因になります。



指示

子どもが本商品で遊ばないように注意する

けがや故障の原因になります。事故の原因になります。



指示

子どもや身体、感覚または思考能力が低下していたり、経験や知識が不足している方は、保護責任者から指示、監督されない環境において使用しない

けがや事故の原因になります。



指示

水分がかからない場所に設置する
火災や感電の原因になる場合があります。また、ペットの尿や加湿器からの水蒸気などがかからないようご注意ください。



分解禁止

自分で本商品を分解や改造、修理しない

商品内部には電圧の高い部分があります。感電や火災の原因になりますので、分解や改造、修理をしないでください。



濡れ手禁止

濡れた手で差込プラグをさわらない

濡れた手で差込プラグを抜き差しすると、感電の原因になります。



禁止

付属の電源コードを本商品以外に使用しない

火災や感電、故障の原因になります。



禁止

付属の電源コード以外を使用しない

火災や感電、故障の原因になります。



禁止

運転中に電源コンセントから差込プラグを抜かない

火災や感電の原因になります。



禁止

電源コードや差込プラグに負荷をかけない(加工する、傷つける、無理に曲げる、引っ張る、ねじる、重い物を載せる、束ねる、挟む、ペットがかじるなど)

電源コードや差込プラグに負荷がかかることによる感電や火災、ショートの原因になります。



禁止

電源コードや差込プラグを熱器具に近づけない

感電や火災の原因になります。



禁止

電源タップや延長コードを使った「たこ足配線」で、定格を超えた接続をしない

電源コードや差込プラグの負荷が大きくなり、感電や火災の原因になります。



水濡れ
禁止

本体に水をかけない

火災や感電の原因になる場合があります。



禁止

吸込口・吹出口や本体のすき間に指や金属物などの異物を入れない

感電やけが、故障の原因になります。



可燃物
禁止

油や可燃性ガスなどを使用する場所、漏れるおそれのある場所に設置しない

引火や、ガス吸引による発火や発煙の原因になります。



禁止

次のような可燃性の高いものを本体に近づけない

- ・ヘアスプレーや殺虫剤など
- ・火のついたタバコや線香など
- ・ベンジンやシンナーなど

引火や感電の原因になります。



禁止

有機溶剤(ベンジン・シンナー・アルコール・ガソリンなど)を使ってお手入れをしない

故障の原因になります。



禁止

電源コードが破損した場合は、そのまま放置したり自分で修理したりしない

破損した状態のまま使用し続けると、感電や火災、ショートの原因になります。すぐに差込プラグを電源コンセントから抜き、「ブルーエアサービスセンター」へご連絡ください。



プラグを
コンセントから
抜く

長い間使用しない場合は、差込プラグを電源コンセントから抜いておく
差込プラグにホコリがたまると、湿気などによる絶縁不良が起こり、感電や火災の原因になります。



プラグを
コンセントから
抜く

フィルター交換やお手入れ、点検、本体の移動の場合は、運転を停止し電源を抜く

電源が入ったまま行くと、感電やけがの原因になる場合があります。



注意

次の注意事項を必ずお守りください。注意を守らずに使用した場合、使用者のけがや周辺の物品損害を伴う事故につながる場合があります。



指示

壁などから10cm以上離して設置する

空気が流れが悪くなり、発熱や発火の原因になります。



禁止

上に乗ったり、寄りかかったり、横倒にしたり、上に物をのせたりしない
転倒によるけがや故障の原因になります。



指示

安定した水平な床面に設置する
本商品は床置き専用です。壁にかけたり、棚に置いたりできません。万一、本製品が転倒すると、けがや家財破損の原因になります。



禁止

移動するときは、本体から外れる部分を持たない
落下によるけがや故障の原因になります。



禁止

浴室など高温多湿、水のかかる場所に設置しない

火災や感電の原因になる場合があります。



指示

燃焼器具と一緒に使う場合は必ず換気する

本製品は換気が出来ません。そのため、燃焼器具から発生する一酸化炭素による中毒の原因になります。



禁止

動植物に直接風が当たる場所に設置しない

動植物に長時間風があたり、乾燥する原因になります。



指示

必ずブルーエア純正の付属品のみを使用する

火災や設置不良による事故、故障の原因になります。



禁止

カーテンや洗濯物で吸込口や吹出口を塞がない

発熱や発火の原因になります。



禁止

フィルターを取り外した状態で稼働させない
集じん効果が得られない他、故障の原因になります。



禁止

発煙または霧タイプの殺虫剤使用時には運転しない

本体内部に蓄積した薬剤成分が、再運転後に吹出口から放出され、健康を害する場合があります。殺虫剤の使用後は十分に換気をおこなってからご使用ください。



使用上のご注意

フィルター交換お知らせランプが点灯したら、フィルターを交換する

交換をしないと、集じん効果が得られないばかりか、故障の原因になります。フィルターは使用頻度により交換の目安が異なります。詳しくは「フィルターについて」の項目をご確認ください。

ブルーエア空気清浄機純正の付属品やフィルターを使用する

純正の付属品やフィルターを使用しないと故障の原因になります。純正品以外の付属品やフィルターを使用して生じた故障は保証の対象外です。

フィルターは水洗いしない

集じん効果が低下します。

直射日光が当たる場所で使用しない

変色の原因になります。

フィルターを外したり、保護フィルムがついた状態のまま運転しない

集じん効果が得られないばかりか、故障の原因になります。

熱器具（暖房器具など）、熱い物の近くで使用しない

変色の原因になります。

使用中は、窓や扉を閉めて使用する

電波に関するご注意

本商品の無線回路を分解または改造すると、法律で罰せられることがあります。

以下の機器や無線局は、本商品と同じ 2.4GHz 周波数帯の電波を利用しています。これらの近くで本商品を使用した場合、電波干渉が発生する場合があります。

- 産業・科学・医療機器（電子レンジ、無線 LAN 機器、防犯機器、心臓ペースメーカーなど）
- 免許を要しない無線局（特定小電力無線局）
- 免許を要する無線局（工場の製造ラインなどで使用されている移動体識別用の構内無線局、アマチュア無線局）

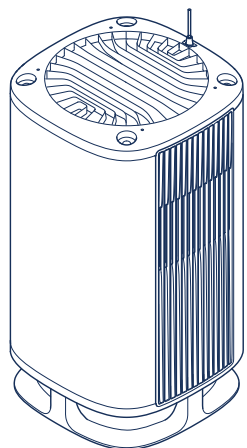
以上の機器や無線局の近くで本商品を使用した場合、電波干渉が発生する場合があります。

- 心臓ペースメーカーなどの衣装機器に影響が及んだ場合、速やかに本商品の電源をお切りください。
- 特定小電力無線局、機内無線局、アマチュア無線局に対して有害な電波干渉が発生した場合は、ブルーエアサービスセンターにお問い合わせください。

初めて使うとき

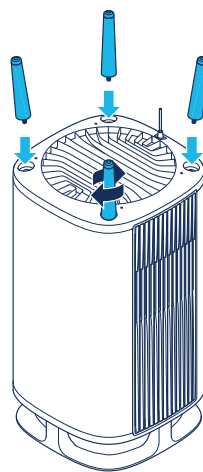
手順 1

平らな場所に柔らかい布を敷き、注意しながら本体を上下逆さにして置きます。



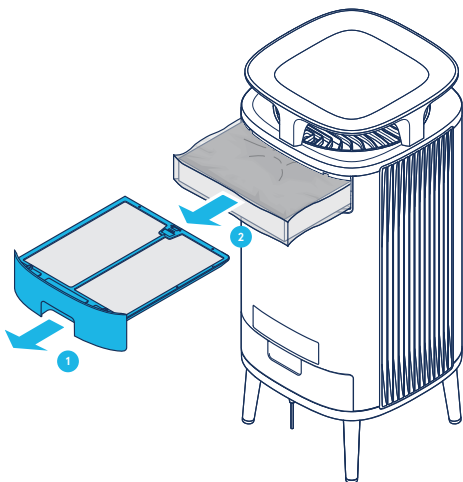
手順 2

4本の脚部を本体に差し込み、回して取り付けます。



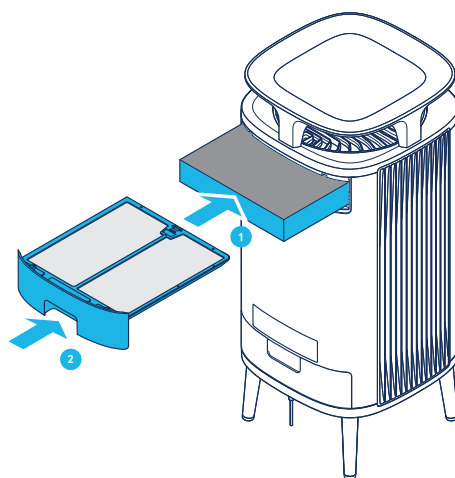
手順 3

上部のフィルターハッチを開き、メインフィルターを取り出して保護フィルムを剥がします。



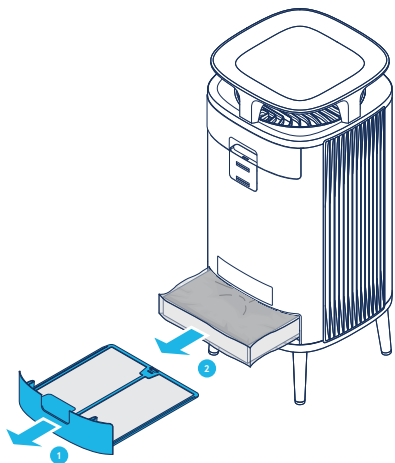
手順 4

メインフィルターを本体に取り付け、フィルターハッチを閉めます。



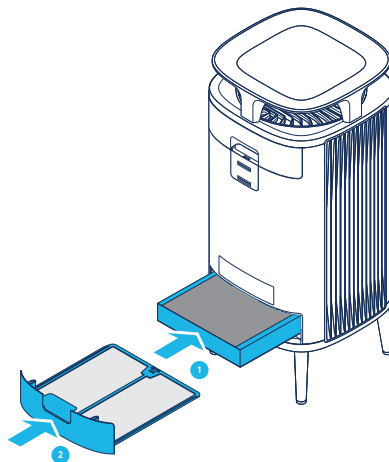
手順 5

下部のフィルターハッチを開き、メインフィルターを取り出して保護フィルムを剥がします。



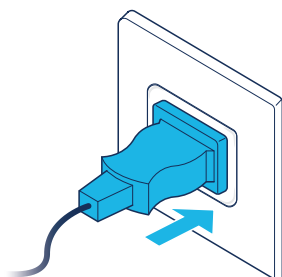
手順 6

メインフィルターを本体に取り付け、フィルターハッチを閉めます。



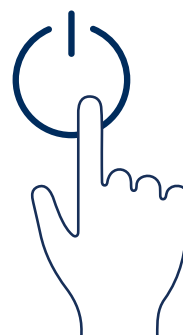
手順 7

電源コードのプラグをコンセントに差し込みます。



手順 8

本体の電源ボタンを押すと、電源が入ります。



フィルターについての詳細は、「フィルターについて」の項目をご参照ください。

Blueair アプリに接続する

本商品と Blueair アプリを接続すると、離れた場所から本体を操作したり、詳細設定を変更することができます。アプリからのみ、使用できる機能もあります。

手順 1

App Store または Google Play から、Blueair アプリをダウンロードします。

手順 2

Blueair アプリを起動し、表示される手順に従って、本体と接続します。

操作ボタン

操作パネルにあるボタンや、Blueair アプリから本体を操作することができます。

電源ボタン



電源ボタンを押すと、本体の電源オン / オフを切り替えることができます。

注意

Wi-Fi 接続やセンサーによる空気質感知は、本体の電源がオフの状態でも稼働します。

運転スピードボタン

運転スピードは1～3の3段階、オートモード、ナイトモードで切り替えることができます。



運転スピードボタンを押すたびに、運転スピードやモードを切り替えることができます。

オートモード

Auto

オートモードでは、搭載されたセンサーで感知した室内空気環境に基づき、自動で本体の運転スピードを調整します。

ナイトモード



ナイトモードでは低速で稼働し、LEDが暗くなります。LEDの明るさは、Blueair アプリから調整することができます。

オートスタート機能

本商品にはオートスタート機能が搭載されているため、稼働中に電源コードが抜けたり、停電が発生した場合、再度電源が供給されると最後に設定されていた運転スピードで再稼働します。

Wi-Fi ボタン



本商品には、Wi-Fi 機能が搭載されており、Wi-Fi 接続をすることで Blueair アプリとの連動や、ファームウェアの更新をすることができます。

- LED 表示の種類とその説明を、以下の表に示します。

表示



表示：白色 点灯
状態：Wi-Fi 接続完了



表示：白色 ゆるやかに点滅
状態：Wi-Fi オン、アプリ同期中



表示：白色 速く点滅
状態：接続エラー

Wi-Fi 接続について、詳細やご不明な点は、Blueair アプリまたは www.blueair.jp よりご確認ください。

フィルター交換お知らせランプ

本商品は、ご使用状況とセンサーで感知した数値に基づき、フィルターの使用残を計算して、フィルター交換のタイミングになるとお知らせします。









表示：点灯
状態：フィルターを交換してください

空気環境ステータスランプ

粒子 (PM) の空気環境を、以下のカラーで示します。
PM2.5 とは、直径 2.5 μ m 以下の微粒子を示します。

空気質レベル

	非常に汚れている
	汚れている
	ふつう
	きれい
	とてもきれい
	データなし

空気環境の詳細は、Blueair アプリよりご確認ください。

フィルターについて

本商品には、2枚のプレフィルターと、2個のメインフィルターが装着されています。これらのフィルターにより、空気中の微粒子を除去します。空気清浄性能を最大限に発揮するため、プレフィルターは定期的にお手入れをして、フィルター交換お知らせランプが点灯したらメインフィルターを交換してください。交換用のフィルターについては、www.blueair.jp よりご確認ください。また、お手持ちの商品の品番は、本体底面に貼付されたラベルで確認ください。

注意

フィルター交換やお手入れをする場合は、必ず本体の運転を停止し、電源コードをコンセントから抜いてください。

注意

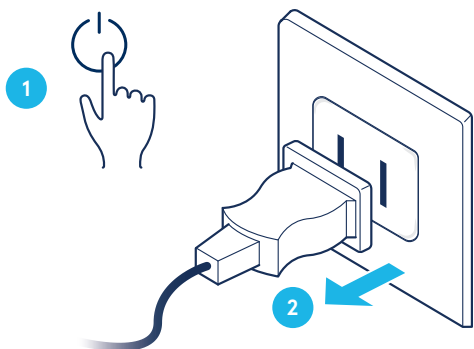
本体をフィルターを外した状態で稼働させないでください。

プレフィルターのお手入れ

空気清浄機能を最大限に発揮するため、2枚のプレフィルターは週に1回お手入れしてください。

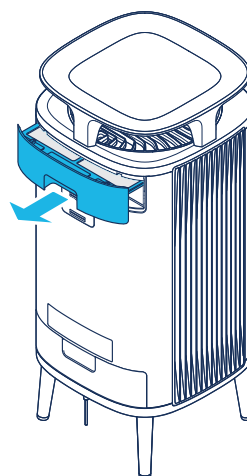
手順1

電源を切り、プラグをコンセントから抜きます。



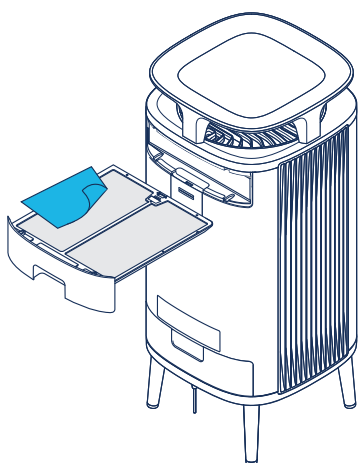
手順2

上部のフィルターハッチを開き、プレフィルターを取り出します。



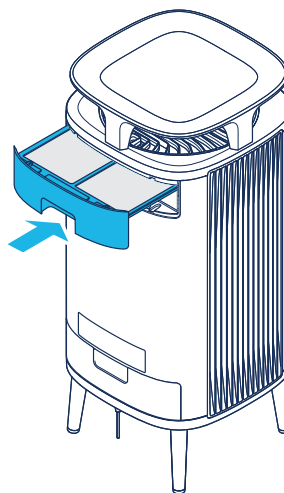
手順 3

乾いた布で拭いて、プレフィルターを掃除します。



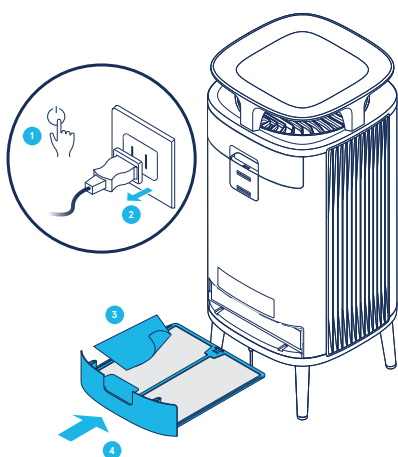
手順 4

プレフィルターを本体に取り付け、フィルターハッチを閉めます。



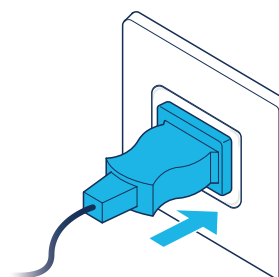
手順 5

下部のプレフィルターも、同様に掃除します。



手順 6

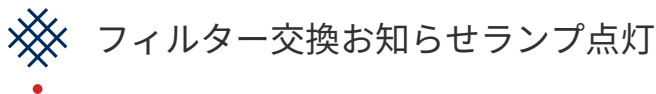
プラグをコンセントに差し込みます。



メインフィルターの交換

本商品は、ご使用状況とセンサーで感知した数値に基づき、フィルターの使用残を計算して、フィルター交換の時期になるとお知らせします。ご使用の環境により異なりますが、約6～12カ月ごとのフィルター交換をお勧めします。

フィルター交換のタイミングになると、フィルター交換お知らせランプが点灯します。

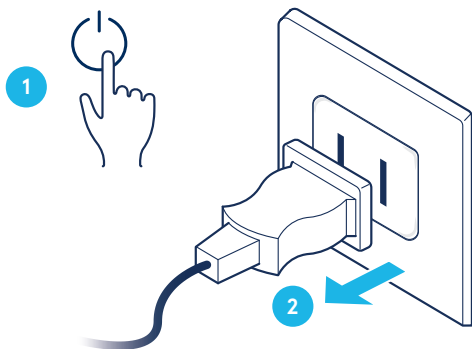


注意

空気清浄性能を最大限に発揮するため、Blueair 純正のフィルターをご使用ください。純正以外のフィルターを使用して故障した場合、保証の対象外となります。

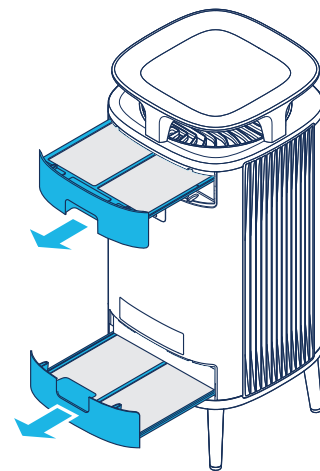
手順 1

電源を切り、プラグをコンセントから抜きます。



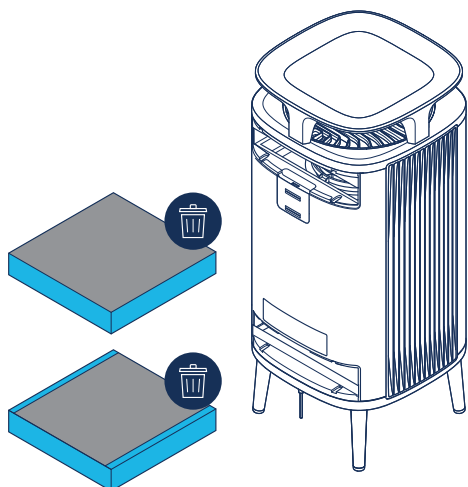
手順 2

上下のフィルターハッチを開きます。



手順 3

古いメインフィルターを取り外し、廃棄します。

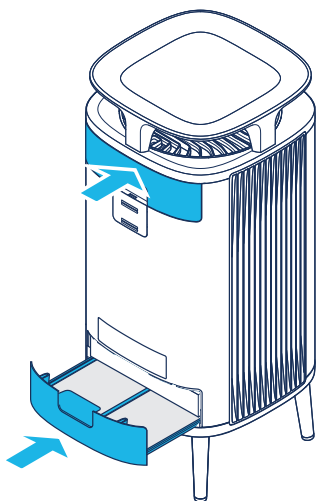


手順 5

上下のフィルターハッチを閉めます。

注意

フィルターハッチが完全にしまっていることをご確認ください。

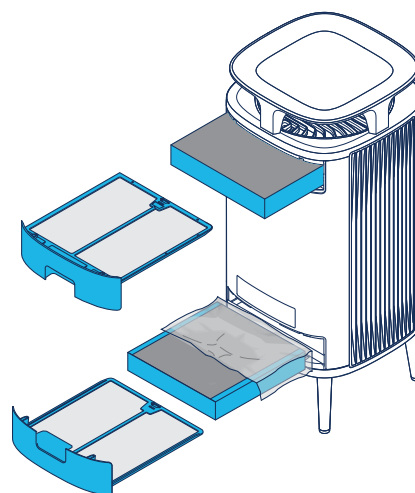


手順 4

新しいメインフィルターを取り付けます。

注意

新しいメインフィルターは、使用する前に必ず保護フィルムを剥がしてください。

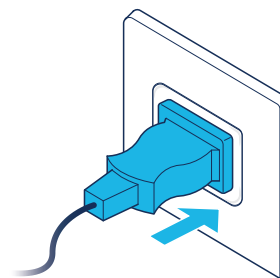


手順 6

プラグをコンセントに差し込みます。

注意

運転スピードボタンを 15 秒以上長押ししてフィルターのタイマーをリセットします。



お手入れをする

お手入れする際の注意

- お手入れをする前には、必ず電源コードをコンセントから抜いてください。
- 感電やけが、故障の原因になりますので、吸込口や吹出口、本体のすき間に異物を入れないでください。
- 故障の原因になりますので、有機溶剤（ベンジン、シンナー、アルコール、ガソリンなど）を使ってお手入れをしないでください。
- 濡れた布でお手入れをした場合は、電源コードをコンセントに接続する前に本体がきちんと乾いていることをご確認ください。
- メインフィルターは水洗いをしないでください。水洗いをするとう使用することができなくなります。

お手入れ方法

- プレフィルターは、掃除機にブラシなどのパーツを付けたものや、乾いた布で拭いて掃除してください。
- 本体の外側は、水分を含ませて固く絞った清潔な布で拭いてください。
- 吸込口や吹出口、本体内部は、掃除機にブラシなどのパーツを付けたもので掃除してください。
- 電源コードやプラグは定期的に掃除して、破損していないことを確認してください。
- メインフィルターを交換する際には、センサー部も掃除してください。

本体を移動する

注意

- 本体を移動する前に、電源コードをコンセントから抜いてください。
- 移動する際には、本体のフィルターハッチが完全に閉まっていることを確認してください。
- 本体は引きずったり押したりせず、持ち上げて移動させてください。

センサーをお手入れする

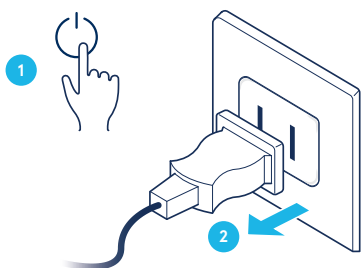
センサー部は本体背面にあります。掃除機にブラシなどのパーツを付けたもので掃除してください。

注意

指や鋭利な金属などでセンサー内部を掃除しないでください。

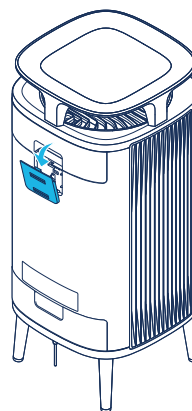
手順 1

電源を切り、プラグをコンセントから抜きます。



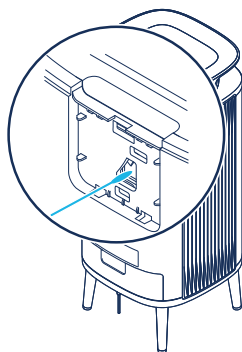
手順 2

センサーカバーを取り外します。



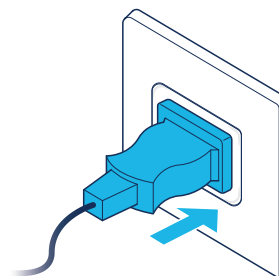
手順 3

綿棒でセンサーを軽く拭き取り、センサーカバーを取り付けます。



手順 4

プラグをコンセントに差し込みます。



本体を廃棄するときは

本商品を廃棄する場合は分解せず、お住まいの自治体の指導に従ってください。

アフターサービスについて

困ったときや、消耗品をお求めの際は、www.blueair.jp をご確認くださいか、ブルーエアサービスセンターへお問い合わせください。

保証について

本書に記載された内容に従わず使用して故障した場合は、保証の対象外となりますのでご注意ください。

返品のご相談

商品の返品につきましては、お買い上げいただいた店舗へご相談ください。

主な仕様

	5210i/5240i	5410i/5440i
電源	100-240VAC 50/60Hz	100-240VAC 50/60Hz
消費電力 ¹	5-22W	7-42W
運転音 ²	22-45 dB	30-50 dB
CADR 値に基づく推奨フロア面積 ³	212 ft ² (20 m ²)	357 ft ² (33 m ²)
CADR - タバコ煙 ³	137 cfm (232 m ³ /h)	230 cfm (391 m ³ /h)
CADR - ホコリ ³	133 cfm (226 m ³ /h)	240 cfm (408 m ³ /h)
CADR - 花粉 ³	140 cfm (238 m ³ /h)	255 cfm (433 m ³ /h)

¹IEC 60335-1:2010 規格に基づく試験結果。

²GB/T18801 および GB4214.1 に基づく数値。

³ANSI/AHAM AC-1-2019 規格に基づく試験結果。

이 사용 설명서를 주의깊이 읽고 나중에 참고할 수 있도록 보관하십시오.
 이 사용 설명서의 최신판은 www.blueair.com에 있습니다

참고: 이 모델은 지역에 따라 버전이 다를 수 있습니다.

제품의 이름:	규제 모델 번호:
5210i	5231111000
5240i	5231112000
5410i	5431111000
5440i	5431112000

목차

DustMagnet™	88
안전 수칙	90
시작하기	92
컨트롤 및 표시등	95
필터	98
유지 관리	102
폐기 및 재사용	104
도움말 및 지원	104
보증에 대한 정보	104
사양	105



Blueair DustMagnet™

Blueair DustMagnet™ 공기청정기는 네 종류의 모델로 이용할 수 있습니다. 해당 모델에는 와이파이가 장착되어 있고, 2개의 프리 필터가 삽입되어 있습니다. 2개의 메인 콤보필터가 공기를 정화합니다. 모든 DustMagnet 모델에는 컨트롤 기능과 내장 센서가 있습니다.

공기청정기는 주로 모터, 팬, 필터로 구성됩니다. 공기청정기는 실내의 공기에서 오염물질을 제거하여 실내 공기 청정도를 개선합니다.

언제든 공기청정기의 제어판을 사용하거나 Blueair 앱을 원격으로 사용하여 공기청정기 설정을 변경할 수 있습니다. Blueair 앱을 통해 모든 모델에서 추가 기능을 이용할 수 있습니다.

최고의 성능을 위한 권장 사항

권장 전용 면적을 넘지 않는 실내에서 공기청정기를 사용하십시오.

공기가 공기청정기 내부, 외부 및 주위를 자유롭게 순환할 수 있는 위치에 공기청정기를 배치합니다.

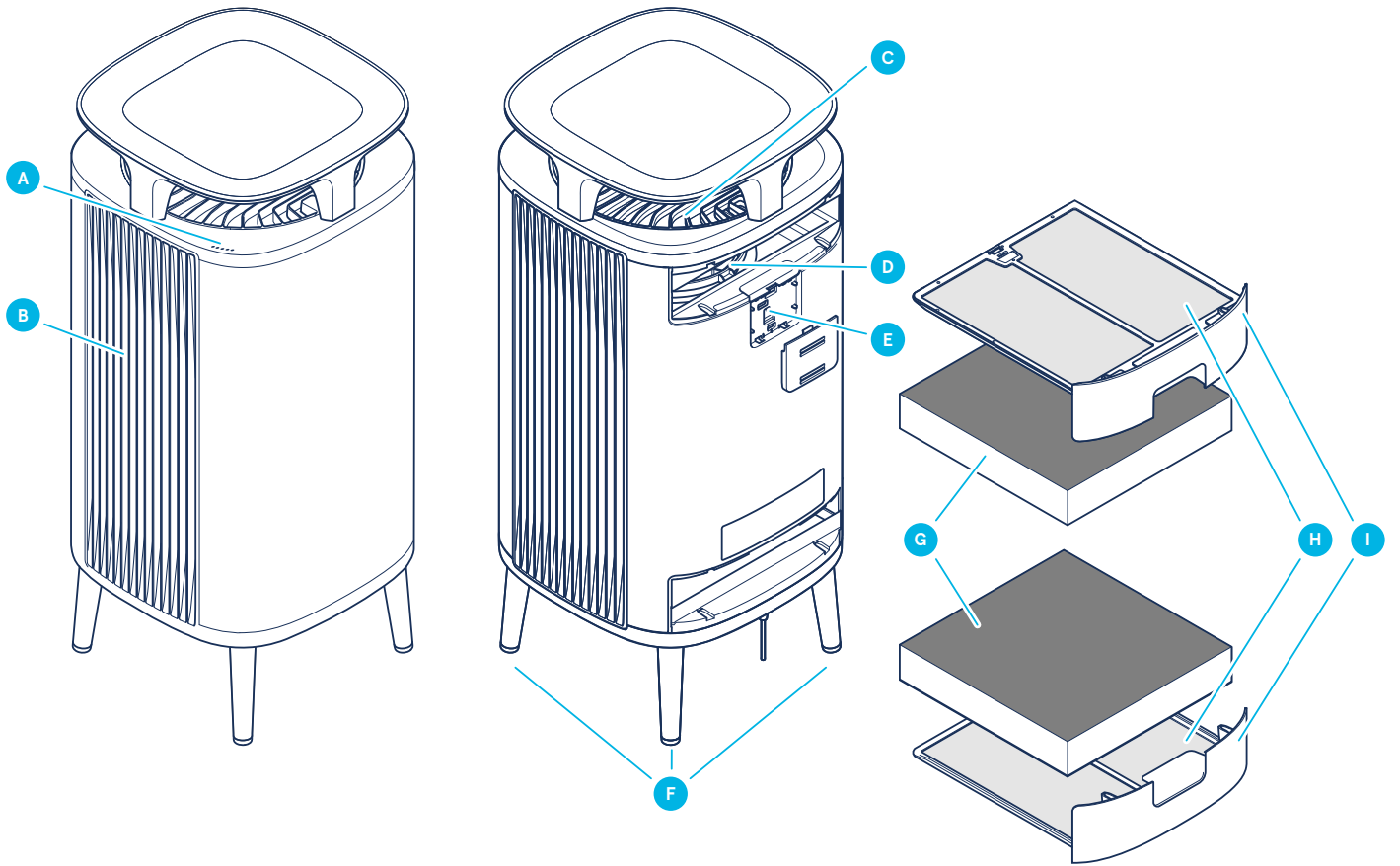
공기청정기를 다른 물체의 10cm(4인치) 이내에 배치하지 마십시오.

작동 중에는 공기청정기가 있는 실내의 도어와 창문을 닫아 두십시오.

정품 Blueair 필터만 사용하십시오.

제어판에 필터 교체 표시등이 켜지면 메인 필터를 변경하십시오.

본 사용 설명서에 나오는 유지 관리 지침을 따르십시오.



- A** 제어판
- B** 공기 배출구
- C** 공기 흡입구
- D** 팬 및 모터
- E** 공기 청정도 센서
- F** 지지대

- G** 메인 필터
- H** 프리 필터
- I** 필터 해치
- J** 전원 어댑터(사진에 나오지 않음)
- K** 사용 매뉴얼(사진에 나오지 않음)

안전 수칙

Blueair DustMagnet™ 공기청정기는 실내 전용 전자 제품입니다. 화재, 감전 또는 부상의 위험을 줄이기 위해 필요한 예방 조치를 취하십시오.

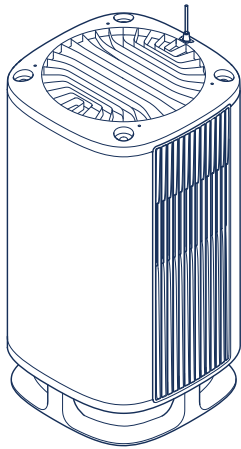
- 육체, 지각 또는 정신 능력이 불완전하거나 경험 및 지식이 없는 사람 (어린이 포함)은 이들의 안전을 책임지는 사람으로부터 본 기기의 사용에 관한 감독 또는 지시를 받지 않은 한 본 기기를 사용할 수 없습니다.
- 어린이가 본 제품을 가지고 놀지 않게 하십시오.
- 유지 관리를 하기 전에는 항상 제품을 전력원과 분리하십시오.
- 제품을 직접 열거나 수리하려 하지 마십시오. 수리는 순정 Blueair 예비 부품만 사용하여 반드시 제조업체, 서비스 담당자 또는 이와 유사한 자격을 갖춘 사람이 해야 합니다.
- 전원 케이블과 전원 플러그에 손상될 위험이 없는지 확인하십시오. 위험 요소를 예방하려면 손상된 전원 케이블의 교체는 언제나 반드시 제조업체, 서비스 담당자 또는 이와 유사한 자격을 갖춘 사람에게 맡겨야 합니다.
- 제품이 손상되거나 오작동이 발생하는 경우, 제품을 끄고 전원을 뽑은 뒤 Blueair에 연락하십시오.
- 전원 플러그는 전원 콘센트에 확실히 삽입되어 있어야 합니다.
- 기기를 전원에서 분리할 때 전원 코드를 당기지 말고 전원 플러그를 잡고 빼내십시오.
- Blueair 공기청정기와 함께 제공된 전원 케이블을 사용하여 적절한 전기 콘센트에 직접 확실히 연결하십시오.

- 연장 코드나 멀티탭을 사용하지 마세요.제품의 정격 라벨을 참조하십시오.
- 어떤 식으로든 전원 플러그를 개조하지 마십시오.플러그가 콘센트에 맞지 않을 경우 공인 기술자에게 문의하여 알맞은 콘센트를 설치합니다.
- 동봉된 전원 코드를 제품이 아닌 다른 용도로 사용하지 마십시오.
- 감전이나 제품 손상이 발생할 수 있으므로 이물질이 공기 배출구에 들어가거나 이를 차단하지 않게 하십시오.
- 제품 위 또는 바로 맞은편에 이물질을 두지 마십시오.
- 제품 위에 앉거나, 서거나, 오르거나, 매달리지 마십시오.
- 전원 케이블을 포함한 제품과 표면이 뜨거운 곳 또는 난로 사이에 안전을 위해 충분한 거리를 두십시오.
- 제품과 전원 플러그를 물과 다른 액체로부터 떨어진 곳에 두십시오.
- 제품과 전원 플러그를 살충제, 데오도란트와 같은 화학 물질로부터 떨어진 곳에 두십시오.
- 바닥에 제품을 두십시오.제품은 안정적인 표면 위에 배치되어야 합니다.
- 제품을 야외나 욕실, 세탁실, 수영장 부근 등 물기가 있는 환경에서 사용하지 마십시오.
- 본 제품은 이온화장치에 의해 오존이 발생할 수 있으니 장시간 사용 시 환기를 권장합니다.

시작하기

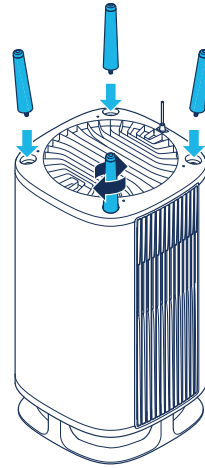
1단계

장치를 테이블의 안정적이고 부드러운 표면 위에 위아래로 두십시오.



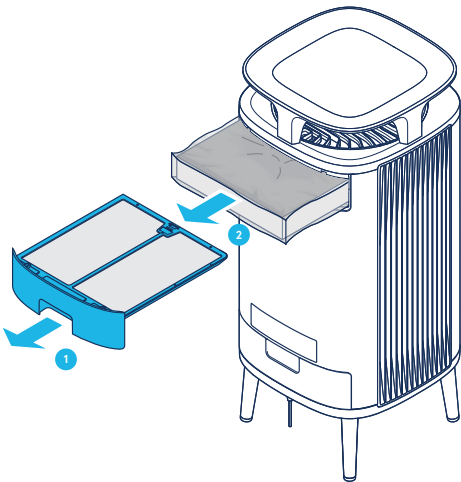
2단계

네 개의 지지대를 나사로 조여 장치에 부착하십시오.



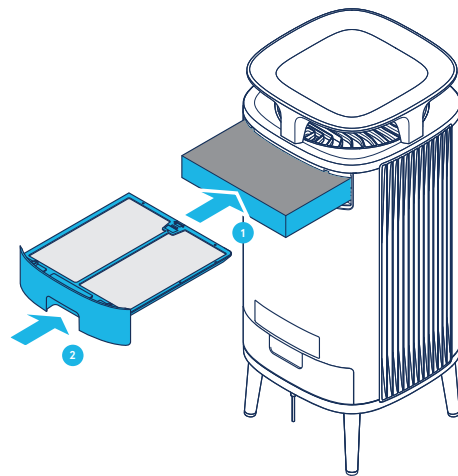
3단계

상단 필터 해치를 열고, 메인 필터를 꺼내고, 보호 비닐을 제거하십시오.



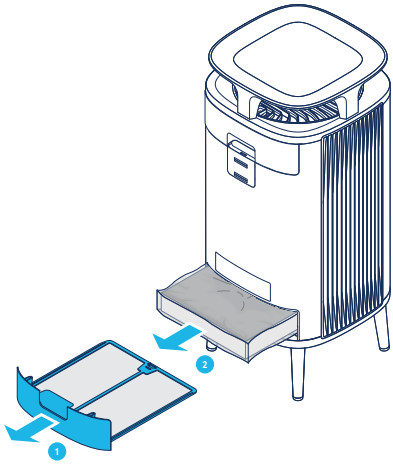
4단계

메인 필터를 장치에 다시 넣고, 필터 해치를 닫으십시오.



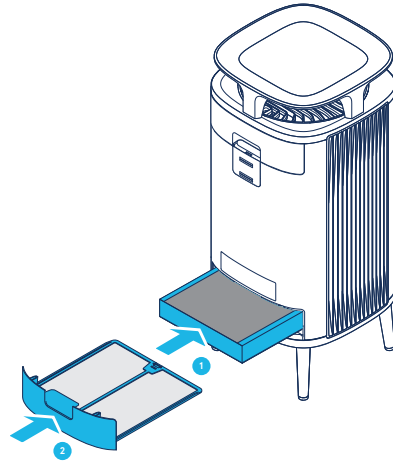
5단계

하단 필터 해치를 열고, 메인 필터를 꺼내고, 보호 비닐을 제거하십시오.



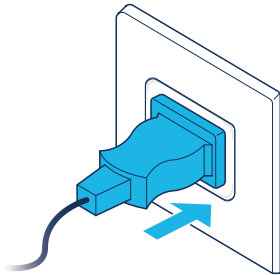
6단계

메인 필터를 장치에 다시 넣고, 필터 해치를 닫으십시오.



7단계

전원 어댑터를 벽면 콘센트에 연결하십시오.



8단계

온/오프 버튼을 눌러 장치 전원을 켜십시오.



필터 취급에 대한 더 자세한 정보는 필터 섹션을 참조하십시오.

Blueair 앱에 연결하십시오

공기청정기를 Blueair 앱에 연결하면 공기청정기를 원격으로 제어하고 설정을 변경할 수 있습니다. 이 앱으로 공기청정기의 더 많은 기능을 이용할 수 있습니다.

1단계

앱 스토어에서 Blueair 앱을 다운로드합니다.

2단계

Blueair 앱을 열고 지시에 따라 공기청정기에 연결합니다.

컨트롤 및 표시등

제어판의 버튼이나 Blueair 앱을 이용하여 공기청정기를 제어합니다.

온/오프



켜거나 끄려면 누르십시오.

참고! 와이파이와 센서는 공기청정기가 꺼져 있을 때 계속 작동합니다.

공기 흐름 속도

다음과 같은 공기 흐름 속도 옵션을 이용할 수 있습니다. 1, 2, 3, Auto 모드, 야간 모드.



공기 흐름 속도 옵션, Auto 모드, 야간 모드를 변경하려면 누르십시오.

Auto 모드

Auto



Auto 모드에서 공기청정기는 센서의 공기 청정도 정보에 따라 자동으로 공기 흐름을 제어합니다.

야간 모드



야간 모드에서 공기청정기는 낮은 팬 속도와 약한 LED 조명을 사용합니다. LED의 밝기는 Blueair 앱에서 설정할 수 있습니다.

자동 시작

공기청정기에는 자동 시작 기능이 있습니다. 즉, 전원 고장이 발생하거나 장치 전원이 뽑혀 있거나 전원 스위치 타이머가 사용된 경우 장치가 설정된 속도로 자동으로 시작합니다.

와이파이 연결



모든 모델에서 와이파이 기능을 사용할 수 있으며 공기청정기를 Blueair 앱에 연결하여 기능 업데이트를 받을 수 있습니다.
아래 LED 상태표시에 대한 설명을 참조하세요.

표시등



상태 백색등
와이파이 네트워크에 연결함.



상태 백색 깜빡이는 조명
와이파이 켜짐, 시작할 준비가 됨.



상태 백색 빠르게 깜빡이는 조명
조명연결 오류.

와이파이 연결에 대한 더 자세한 정보는 Blueair 앱을 참조하십시오.
지원을 받으려면 www.blueair.com/customer-support에 방문하십시오

필터 표시등

공기청정기는 사용량 및 센서 수치를 기준으로 필터의 남은 수명을 계산하고 필터 교체 시기를 표시합니다.



상태 필터 교체
필터의 수명이 남지 않음.

공기 청정도 정보

미세먼지(PM)에 대한 공기 청정도 수준이 공기 청정도 표시등에 색상 척도로 표시되어 있습니다. PM2.5, 미세먼지, 직경이 2.5마이크로미터 이하인 입자.

공기 청정도 수준

	매우 오염됨
	약간 오염됨
	보통
	우수
	매우 우수
	데이터 이용 불가

공기 청정도에 대한 더 자세한 정보는 Blueair 앱을 참조하십시오.

필터

공기청정기는 프리 필터 2개와 메인 필터 2개가 설치된 상태로 배송됩니다. 필터는 공기에서 미세먼지를 정화합니다. 최상의 성능을 위해 프리 필터를 정기적으로 세척하고 공기청정기가 필터 교체를 표시할 때 메인 필터를 교체하십시오. 사용자의 공기청정기에 알맞은 메인 필터를 확인하려면 Blueair 앱을 사용하거나 www.blueair.com에 방문하십시오. 공기청정기의 모델 번호는 공기청정기 밑면의 정격 표시 레이블에서 확인할 수 있습니다.

중요! 필터를 교체하거나 세척하거나 유지 관리 절차를 수행하기 전에는 반드시 장치를 전력원에서 분리하십시오.

중요! 필터를 삽입하지 않은 채로 기기를 동작하지 마세요.

Blueair 필터 정기 구매 프로그램

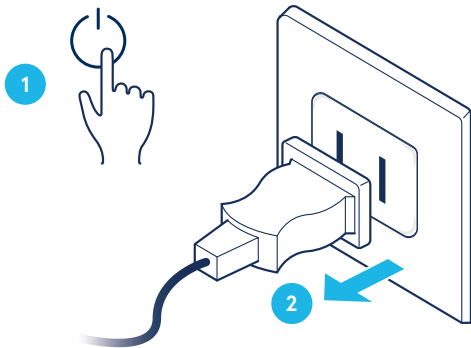
Blueair 앱을 사용하거나 www.blueair.com에 방문하여 Blueair 필터 정기 구매 프로그램에 가입하십시오. (모든 시장에서 가능하지는 않음)

프리 필터를 세척하십시오

최상의 성능을 위해 매주 프리 필터를 세척하십시오.

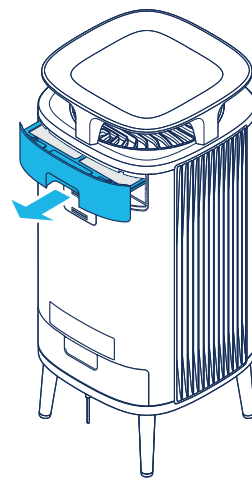
1단계

장치를 끄고 플러그를 뽑으십시오.



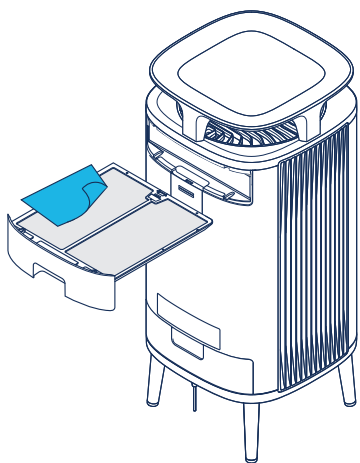
2단계

상단 필터 해치를 열고, 프리 필터를 꺼내십시오.



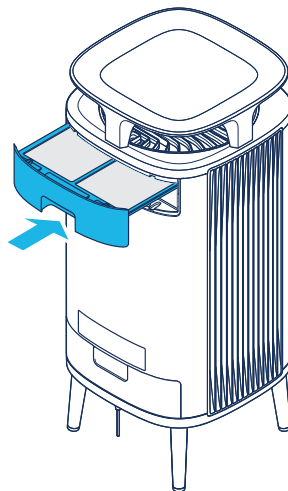
3단계

먼지 걸레로 닦아 프리 필터를 세척하십시오



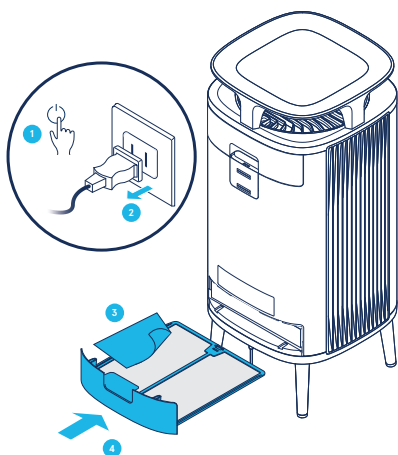
4단계

프리 필터를 장치에 다시 넣고, 필터 해치를 닫으십시오.



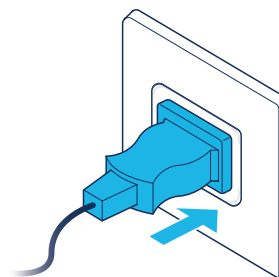
5단계

하단 프리 필터에 대해 1~4단계를 반복하십시오.



6단계

장치 플러그를 연결하십시오.



메인 필터 교체

공기청정기는 사용량 및 센서 수치를 기준으로 필터의 남은 수명을 계산하고 필터 교체 시기를 표시합니다. 필터 교체 권장 시점은 실내 환경에 따라 6개월에서 12개월 사이입니다.

필터를 교체할 때 필터 교체 표시등이 켜집니다.

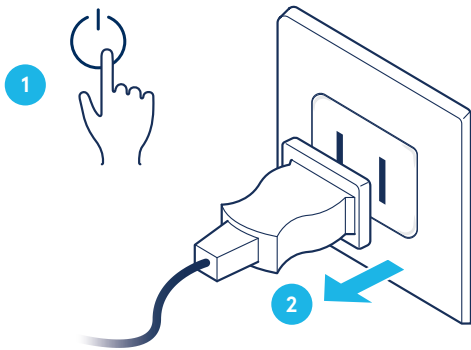


필터 교체 표시등.

중요! 공기청정기의 올바른 기능과 성능을 보장하고 전체 보증 범위에 대한 자격을 확보하려면 모델에 적합한 정품 Blueair 필터만 사용하십시오.

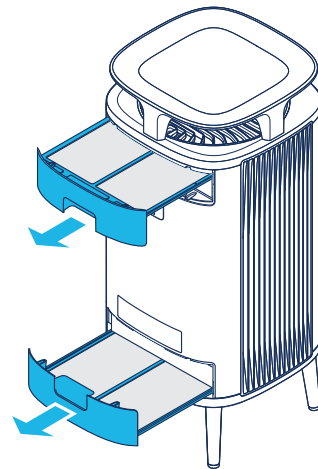
1단계

장치를 끄고 플러그를 뽑으십시오.



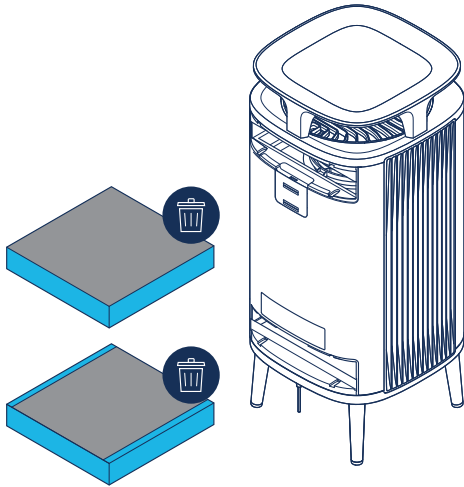
2단계

두 개의 필터 해치를 여십시오.



3단계

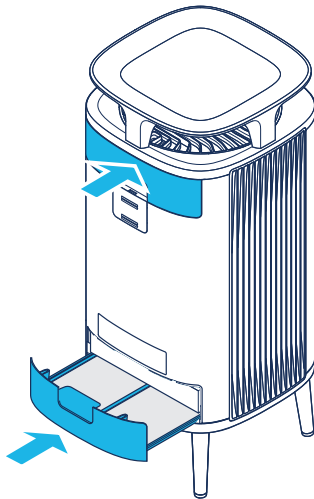
오래된 메인 필터는 제거하고 폐기하십시오.



5단계

두 개의 필터 해치를 닫으십시오.

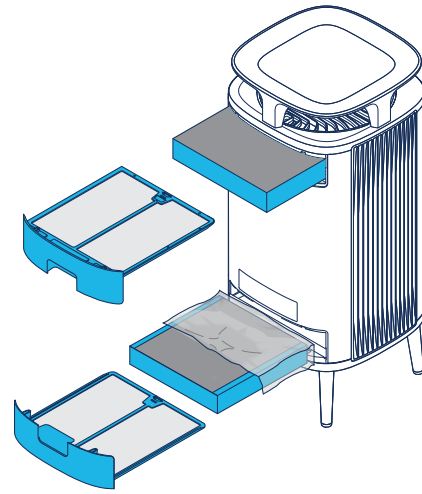
참고! 필터 해치가 제대로 닫혔는지 확인하십시오.



4단계

참고! 사용하기 전에 새로운 메인 필터에서 보호 비닐을 제거하십시오.

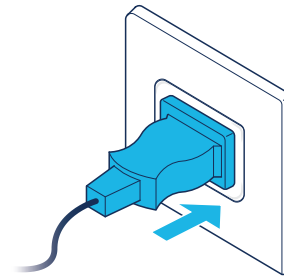
새로운 메인 필터를 삽입하십시오.



6단계

장치 플러그를 연결하십시오.

참고! 필터 타이머 리셋을 위해서 팬 속도 조절 버튼을 약 15초간 누르고 계십시오.



유지 관리

일반

- 유지 관리를 하기 전에는 항상 공기청정기를 전력원에서 분리하십시오.
- 공기 흡입구 또는 배출구에 이물질이 절대 들어가지 않게 하십시오. 이는 감전의 원인이 되거나 공기청정기를 손상시킬 수 있습니다.
- 가솔린, 화학 용매 또는 부식성 물질과 같은 작용제는 공기청정기에 손상을 입힐 수 있으므로 이러한 물질로는 절대로 청소하지 마십시오.
- 전원에 연결하기 전에는 공기청정기가 완전히 마른 상태인지 확인하십시오.
- 메인 필터를 세척하지 마십시오. 메인 필터는 세척하거나 재사용할 수 없습니다.

세척

- 먼지 걸레로 닦거나 부드러운 솔이 부착된 진공 청소기로 프리 필터를 세척하십시오.
- 부드럽고 깨끗한 젖은 천으로 공기청정기 외장을 닦으십시오.
- 진공청소기의 부드러운 솔 부착품으로 공기 흡입구를 청소합니다.
- 부드러운 솔 부착품으로 공기청정기 내부를 진공 청소하십시오.
- 전원 케이블과 전원 플러그를 세척하고 닦거나 손상되지 않는지 점검하십시오.
- 메인 필터를 교체할 때 센서를 세척하십시오.

공기청정기를 이동시키십시오

중요!

- 공기청정기를 움직이기 전에 플러그를 뽑으십시오.
- 공기청정기의 필터 해치가 잘 닫혔는지 확인하십시오.
- 공기청정기를 들어 올려 이동시키십시오 공기청정기를 잡아 당기거나 밀지 마십시오.

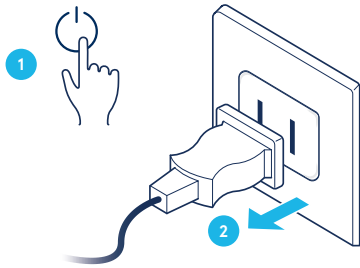
공기 청정도 센서 세척

공기 청정도 센서의 흡입구는 공기청정기 뒷면에 있습니다. 센서의 흡입구를 세척하려면 입구를 진공 청소하십시오.

중요! 센서 흡입구 내부를 세척하기 위해 손가락이나 권장되지 않는 물체를 사용하지 마십시오.

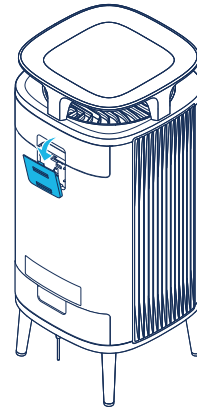
1단계

장치를 끄고 플러그를 뽑으십시오.



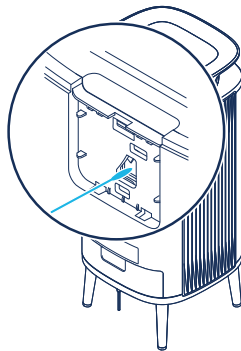
2단계

센서를 덮고 있는 뚜껑을 제거하십시오.



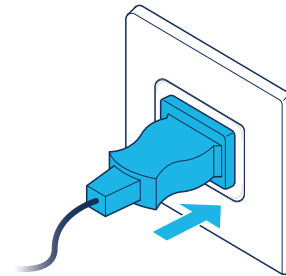
3단계

센서를 면봉으로 부드럽게 세척하고 센서 뚜껑을 부착하십시오.



4단계

장치 플러그를 연결하십시오.



폐기 및 재사용

이 공기청정기는 전자 폐기물, 필터는 플라스틱으로 재활용되며 지역 규정에 따라야 합니다. 본 공기청정기의 폐기에 관한 문의사항이 있는 경우 지역 당국이나 Blueair 대리점에 올바른 재활용 방법을 문의하십시오.

도움말 및 지원

자신의 제품에 대한 질문이 있는 경우 www.blueair.com 또는 지역 Blueair 소매 업체에 방문하십시오.

Blueair에 연락하여 개인 맞춤형 지원을 받으려면 www.blueair.com/customer-support에 방문하십시오

보증에 대한 정보

본 공기청정기가 이 설명서의 지시사항에 따라 설치, 사용, 유지관리되는 경우에만 Blueair 제한 보증은 적용됩니다.

보증 조건에 대한 정보를 확인하려면 www.blueair.com/warranty에 방문하십시오

보증 및 환불

공인 소매 업체로부터 공기청정기를 구입한 경우, 제품을 구입한 점포에 지원을 요청하십시오.

사양

	5210i/5240i	5410i/5440i
입력, 주파수	100-240VAC 50/60Hz	100-240VAC 50/60Hz
전력 소비/정격 입력 전력 ¹	5-22W	7-42W
소리 수준 ²	22-45 dB	30-50 dB
권장 공간 크기 ³	212 ft ² (20 m ²)	357 ft ² (33 m ²)
CADR 연기 ³	137 cfm (232 m ³ /h)	230 cfm (391 m ³ /h)
CADR 먼지 ³	133 cfm (226 m ³ /h)	240 cfm (408 m ³ /h)
CADR 꽃가루 ³	140 cfm (238 m ³ /h)	255 cfm (433 m ³ /h)

¹IEC 60335-1:2010에 따라

²GB/T18801 및 GB4214.1에 따른 -소음측정

³ANSI/AHAM AC-1-2019에 따라

請仔細閱讀本使用手冊並保存以供日後參考。
請造訪 www.blueair.com 以取得本使用手冊的最新版本

備註：這些機種可能有各國家/地區專用版本。

產品名稱：	法規型號：
5210i	5231111000
5240i	5231112000
5410i	5431111000
5440i	5431112000

內容目錄

DustMagnet™	108
安全說明	110
開始使用	112
控制面板和指示燈	115
濾網	118
清潔和保養	122
廢棄物處置和回收	124
協助和支援	124
保固資訊	124
產品規格	125
法規資訊	126



Blueair DustMagnet™

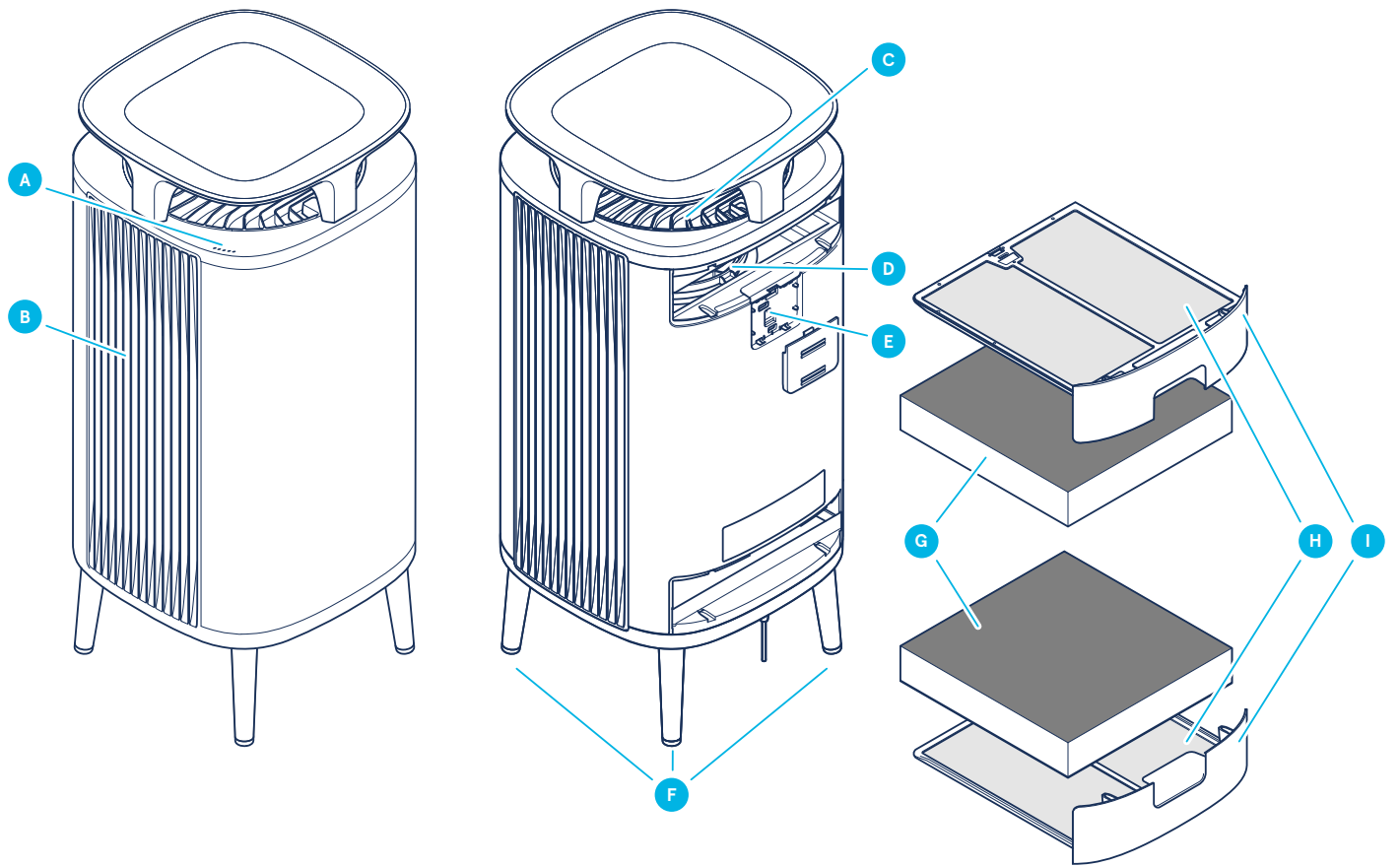
Blueair DustMagnet™ 空氣清淨機提供四種機型。所有型號均支援 Wi-Fi，並配有兩個前置濾網和兩個主濾網 (ComboFilters) 以淨化空氣。所有 DustMagnet 機型皆可遠端操控和內建空氣品質偵測器。

空氣清淨機主要是由馬達、風扇和濾網所組成。空氣清淨機可去除空間空氣中的污染物質，改善室內空氣品質。

如果要變更空氣清淨機設定，您隨時都可以使用空氣清淨機上的控制面板進行，或使用 Blueair App 以遠端方式進行變更。所有機型的功能，可同步透過 Blueair App 進行操作。

關於最佳性能的建議

- 空氣清淨機應在不超過建議適用坪數的房間中使用。
- 空氣清淨機應放在其周圍空氣進出循環通暢的位置。
- 空氣清淨機周圍 10 公分 (4 英寸) 之內不應放置任何物品。
- 空氣清淨機運作時，所在空間的門窗均應緊閉。
- 僅能搭配使用原廠 Blueair 濾網。
- 主濾網應在控制面板上的濾網汰換指示燈亮起時進行汰換。
- 請依照使用手冊內的保養指示進行汰換。



A 控制面板

B 出風口

C 進風口

D 風扇和馬達

E 空氣品質偵測器

F 底座支架

G 主濾網

H 前置濾網

I 濾網門

J 電源線 (未示於圖片)

K 使用手冊 (未示於圖片)

安全說明

Blueair DustMagnet™ 空氣清淨機是專供室內使用的電子裝置，使用時應遵守必要預防措施，以免發生火災、觸電或受傷。

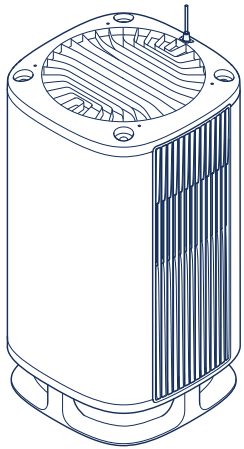
- 本電器的設計用途不包括供生理、感知、心智能力、經驗或知識不足之使用者 (包含孩童) 使用，除非在對其負有安全責任的人員之監護或指導下安全使用。
- 請注意不要讓孩童將本電器產品當成玩具。
- 空氣清淨機進行保養之前，裝置與電源間必須先中斷連線。
- 絕對不可自行嘗試拆解或進行維修。維修進行必須由製造商、服務代理商或具同等資格人員，使用原廠 Blueair 零件進行。
- 確認電源線和電源插頭沒有破損的情況。為避免危險，損壞之電源線務必由製造商、服務代理商或類似之專業人員汰換。
- 如果裝置出現損壞或無法正常運作，請將其關閉，並接著中斷其電源供應，並與 Blueair 聯絡。
- 電源插頭必須牢固插入電源插座中。
- 在中斷主機與電源間連線時，應拔除電源插座，而不要直接拉扯電源線。
- 請使用 Blueair 空氣清淨機隨機附贈的電源線，牢牢地直接插入至正確的電源插座。
- 請勿使用延長線或外接電源插座。請參閱本電器上的額定電源標籤貼紙。
- 請勿改造電源插頭。如果插頭無法插入插座，請與專業人員聯絡以便安裝適合的插座。

- 本電器隨機附贈的電源線僅限用於本電器，絕對不能用於其他裝置。
- 空氣清淨機中不應有異物進入，或有異物擋住進風口或出風口，否則將有可能導致觸電或使本裝置損壞。
- 本電器上方不可放置或直接緊靠任何物品。
- 不可坐在、站在本電器上，亦不可攀爬或拉扯。
- 本電器 (包括電源線) 應與高溫表面和明火保持安全距離。
- 本電器和電源插頭不可靠近水和其他液體。
- 本電器和電源插頭不可靠近化學物質，例如殺蟲劑和水和除臭劑。
- 本電器應放置在地面。本電器必須放置在平穩表面上。
- 空氣清淨機不可用於室外，亦不可放置在浴室、洗衣間或泳池等潮濕環境中。

開始使用

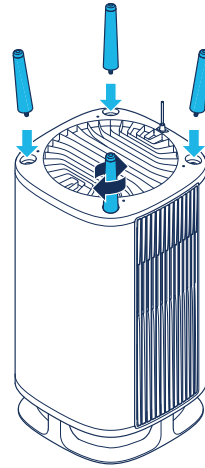
步驟 1

小心地將空氣清淨機放在平穩柔軟的表面上，面朝下。



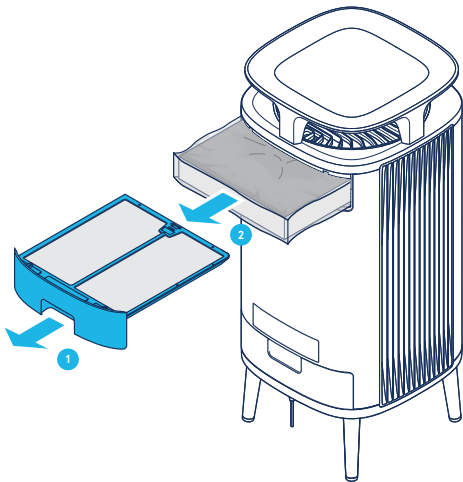
步驟 2

將四個底座支架旋入至裝置。



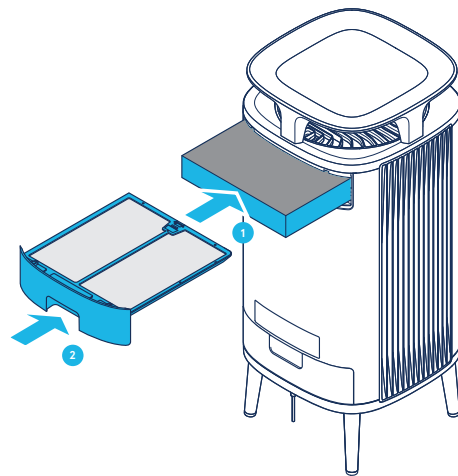
步驟 3

打開頂端濾網門，取出主濾網，接著拆下塑膠保護膜包裝。



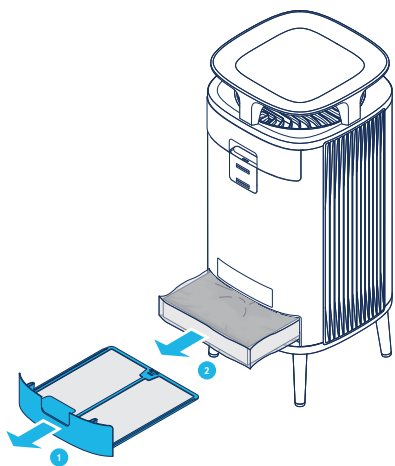
步驟 4

將主濾網裝回空氣清淨機，然後關上濾網門。



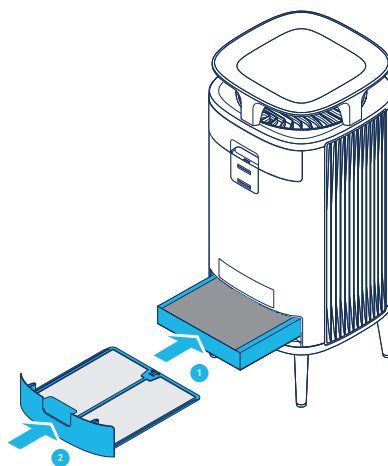
步驟 5

打開底部濾網門，取出主濾網，接著拆下塑膠保護膜包裝。



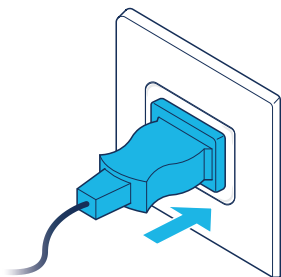
步驟 6

將主濾網裝回空氣清淨機，然後關上濾網門。



步驟 7

將電源線插頭插入牆壁插座。



步驟 8

按下 On/Off 按鈕讓空氣清淨機開始運轉。



請參閱「濾網」一節內容，更進一步了解濾網處理的資訊。

連接至 Blueair App

將空氣清淨機連接至 Blueair App 後，您就可以從遠端控制空氣清淨機與變更設定。這個 App 可為空氣清淨機加入更多功能。

步驟 1

從 App 商店下載 Blueair App。

步驟 2

開啟 Blueair App，接著依照指示，將其連接至空氣清淨機。

控制面板和指示燈

使用控制面板上的按鈕或使用 Blueair App 來控制空氣清淨機。

開/關



按一下即可開機或關機。

提醒！ Wi-Fi 和偵測器會在空氣清淨機關閉時繼續運作。

風量速度

可用的風量速度選項如下：1、2、3、自動模式和夜晚模式。



按下後可在不同風量速度選項、自動模式和夜間模式之間進行切換。

自動模式



當自動模式啟動時，空氣清淨機會自動根據偵測器的空氣品質資訊，自動調整風速大小。

夜間模式



在夜間模式中，空氣清淨機使用最低風速，並熄滅 LED 燈光。LED 燈光的亮度可在 Blueair App 中設定。

自動啟動

本空氣清淨機配備自動開機功能，如果發生停電、電源插頭被拔掉或不正常跳電後，本空氣清淨機會自動回復之前調整的風速重新開機。

Wi-Fi 連接



所有機型均有 Wi-Fi 功能，並可透過這項功能將空氣清淨機連接至 Blueair App，接收功能更新。
符號下方的LED指示燈指示狀態。

指示



顯示白色燈號
已連接上 Wi-Fi 網路。



顯示閃爍的白色燈號
正在連線至 Wi-Fi。



顯示快速「閃爍」的白色燈號
連接錯誤。

請參閱 Blueair App 相關內容，更進一步了解 Wi-Fi 連接。
如需支援，請造訪 www.blueair.com/customer-support

濾網汰換指示

空氣清淨機會根據用量和偵測器讀數，計算濾網的剩餘壽命，並且提醒何時應汰換濾網。






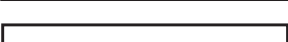


顯示濾網汰換
濾網壽命已達終點。

空氣品質資訊

懸浮微粒 (PM) 的空氣品質等級會透過空氣品質指示燈上的顏色等級進行指示。
PM2.5、懸浮微粒、直徑大小 2.5 微毫米或更小的微粒。

空氣品質等級

	嚴重
	污染
	適中
	良好
	優良
	無資料

請參閱 Blueair App 相關內容，更進一步了解空氣品質。

濾網

本空氣清淨機出貨時即安裝兩組前置濾網和兩組主濾網。這些濾網可清淨空氣中的微粒。為達到最佳性能，請定期清潔前置濾網，並在空氣清淨機指示汰換濾網時汰換主濾網。若要找到適合您所使用空氣清淨機的主濾網，請使用 Blueair App 或造訪 www.blueair.com。您所使用空氣清淨機的型號可從空氣清淨機底部的額定標籤貼紙上取得。

重要訊息！ 更換濾網、進行清潔或保養程序之前，務必先關閉空氣清淨機並從電源拔下插頭。

重要！ 使用時務必搭配濾網

Blueair 濾網訂購專案

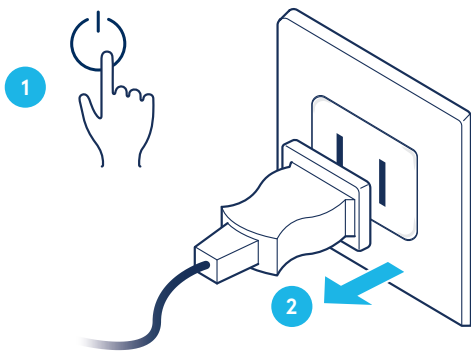
使用 Blueair App 或造訪 www.blueair.com，可註冊 Blueair 濾網訂購專案。(並非所有市場均可使用)

清潔前置濾網

每周定期清潔前置濾網，以維持過濾效能。

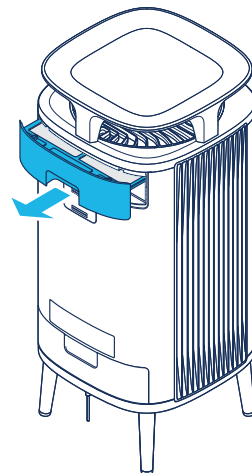
步驟 1

將本空氣清淨機關機後並拔掉電源插頭。



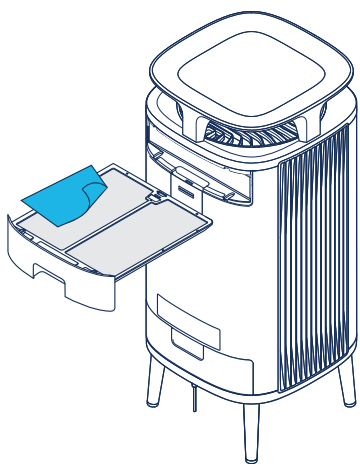
步驟 2

打開頂端濾網門並拔出前置濾網。



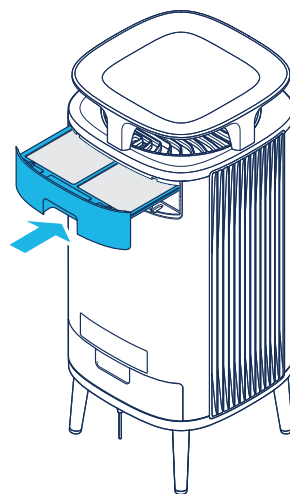
步驟 3

使用除塵布擦拭前置濾網。



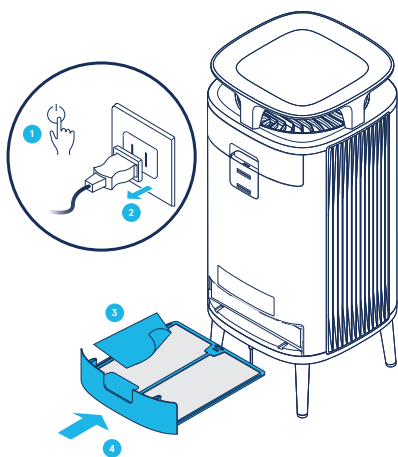
步驟 4

將前置濾網放回空氣清淨機，然後關上濾網口。



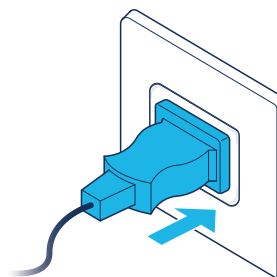
步驟 5

針對底部前置濾網重複步驟 1-4。



步驟 6

將空氣清淨機接上電源。



汰換主濾網

空氣清淨機會根據用量和偵測器讀數，計算濾網的剩餘壽命，並且指出何時應汰換濾網。依據室內情況，建議每 6 至 12 個月汰換一次濾網。

當需要汰換濾網時，會出現濾網汰換指示燈。

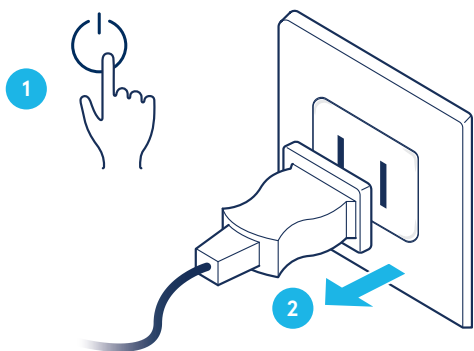


濾網汰換指示燈

重要提示！ 請使用型號適用的原廠 Blueair 濾網，確保本空氣清淨機運作和性能正常，並享有完整保固服務。

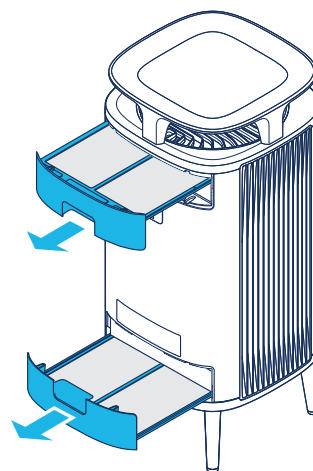
步驟 1

將本空氣清淨機關機後並拔掉電源插頭。



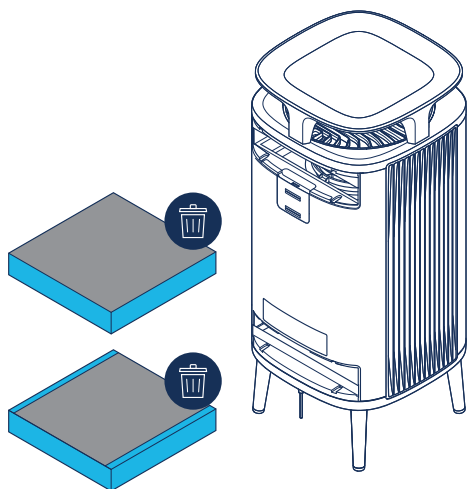
步驟 2

打開兩個濾網門。



步驟 3

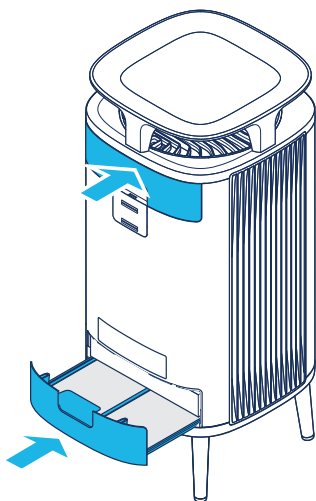
拆下並丟棄舊的主濾網。



步驟 5

關上兩個濾網門。

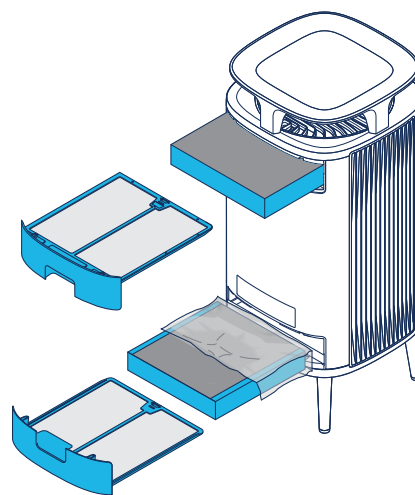
重要！ 確認所有濾網門都已確實關上。



步驟 4

重要！ 使用新的主濾網之前，請務必拆掉外層的保護塑膠膜。

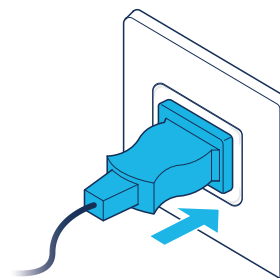
放入新的主濾網。



步驟 6

將空氣清淨機接上電源。

重要！ 注意！持續按壓風量速度按鈕 15 秒鐘以重置濾網汰換計時器。



清潔和保養

一般

- 進行空氣清淨機保養之前，空氣清淨機與電源間必須先中斷連線。
- 絕對不可讓異物進入進風口或出風口。否則會造成觸電或空氣清淨機損壞。
- 請勿使用汽油、化學溶劑或腐蝕性物質清潔，因為此類物質會造成空氣清淨機損害。
- 確定空氣清淨機完全乾燥後，再將其接上電源。
- 請勿清洗主濾網。主濾網為不得清洗或重複使用的配件。

清潔

- 使用除塵布或軟刷吸塵頭輕掃，清潔前置濾網。
- 使用柔軟、乾淨的濕布擦拭空氣清淨機外部。
- 使用軟刷吸塵頭配件吸除小型進風口的粉塵。
- 使用軟刷吸塵頭配件，清潔空氣清淨機內部。
- 清潔電源線和電源插頭，並檢查是否有磨損或損壞。
- 更換主濾網的同時清潔偵測器。

移動空氣清淨機

重要提示！

- 移動空氣清淨機前應先將其插頭拔下。
- 確定空氣清淨機的所有濾網口都已緊密關上。
- 抬起空氣清淨機並移動。請勿拖行或推動空氣清淨機。

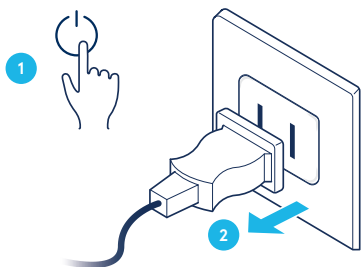
清潔空氣品質偵測器

空氣品質偵測器的進風口位在空氣清淨機的背面。使用吸塵器清潔開口處，以清潔偵測器的進風口。

重要提示！ 請勿用手指或不在我們建議範圍內的物體清潔偵測器進風口內部。

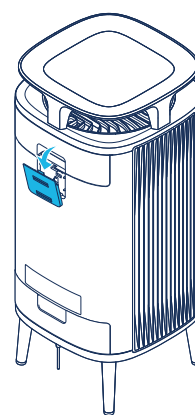
步驟 1

將本空氣清淨機關機後並拔掉電源插頭。



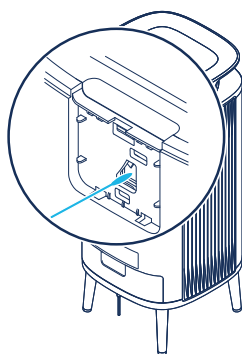
步驟 2

取下偵測器的蓋子。



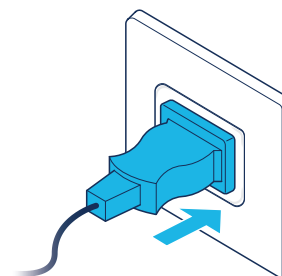
步驟 3

使用棉花棒輕輕清潔偵測器，然後裝上偵測器蓋。



步驟 4

將空氣清淨機接上電源。



廢棄物處置和回收

根據當地法規，本空氣清淨機應依電子廢棄物方式回收處理，而濾網則應依塑膠類物品方式回收處理。如果您對空氣清淨機的廢棄處理有任何問題，請聯絡您當地主管機關或 Blueair 代理商，並洽詢正確的回收處理方式。

協助和支援

如果您有產品的相關問題，請造訪 www.blueair.com 或與您當地的 Blueair 代理商聯絡。

若要聯絡 Blueair 以獲得個人專用支援，請造訪 www.blueair.com/customer-support

保固資訊

空氣清淨機的安裝、使用和保養必須遵守本手冊指示，Blueair 有限保固才具效力。

如想了解保固條件，請造訪 www.blueair.com/warranty

保固及退貨

如果您的空氣清淨機是向我們的授權代理商購買，請向同一家商店洽詢協助。

產品規格

	5210i/5240i	5410i/5440i
輸入, 頻率	100-240VAC 50/60Hz	100-240VAC 50/60Hz
耗電功率/額定輸入功率 ¹	5-22W	7-42W
音量 ²	22-45 dB	30-50 dB
建議的適用坪數 ³	212 ft ² (20 m ²)	357 ft ² (33 m ²)
CADR 煙霧 ³	137 cfm (232 m ³ /h)	230 cfm (391 m ³ /h)
CADR 粉塵 ³	133 cfm (226 m ³ /h)	240 cfm (408 m ³ /h)
CADR 花粉 ³	140 cfm (238 m ³ /h)	255 cfm (433 m ³ /h)

¹依據CNS 60335-1(103年版), CNS 60335-2-65(104年版)

²聲壓依據 GB/T18801 和 GB4214.1

³依據 ANSI/AHAM AC-1-2019

法規資訊

低功率電波輻射性電機管理辦法第**12、14**條

--- 經型式認證合格之低功率射頻電機，非經許可，公司、商號或使用者均不得擅自變更頻率，加大功率或變更原設計之特性及功能。

--- 低功率射頻電機之使用不得影響飛航安全及干擾合法通信；經發現有干擾現象時，應立即停用，並改善至無干擾時方得繼續使用。

前項合法通信，指依電信法規定作業之無線電通信。低功率射頻電機需忍受合法通信或工業、科學及醫療用電波輻射性電機設備之干擾。

內含發射器模組:  **CCAP20LP1070T9**



www.blueair.com

Blueair AB

Karlavägen 108
115 26 Stockholm
Sweden
Tel: +46 8 679 45 00
info@blueair.se

Blueair AB Middle East

Jafza One, Office No. AB1503
Jebel Ali Free Zone
P.O. Box No. 263947
Dubai, United Arab Emirates
Tel: +971 (4) 8821244
salesme@blueair.se

Blueair Inc.

125 S Clark
Suite 2000
Chicago, IL. 60603
USA
Tel: +1 888 258 3247
info@blueair.com

Blueair (Shanghai) Trading Co. Ltd.

Room 1001, City Gateway
No. 398 North Caoxi Road
Xuhui Distr, Shanghai,
China
Tel: 400 006 9693
info@unilever-le.com

Blueair Asia Ltd.

Unit 8C, 8/F, MG Tower,
133 Hoi Bun Road,
Kwun Tong, Kowloon,
Hong Kong
Tel: +852 2345 8988
blueairasia@blueair.se



0106597005