

SENCOR®

Let's live!

Tablet

Sencor 7Q204

Sencor 10.1Q205

INSTRUCTIONS FOR USE

EN



**CAUTION:**

THE USER PROPERTIES OF THIS TABLET MAY BE AFFECTED BY THE SOFTWARE THAT IS INSTALLED. THIS USER'S MANUAL MAY DESCRIBE FUNCTIONS AVAILABLE ONLY IN DESIGNS DIFFERENT TO YOUR SPECIFIC MODEL.

CONTENTS

1.	Important safety instructions.....	3
2.	Description of the device.....	8
2.1.	Sencor tablet 10.1Q205.....	8
2.2.	Sencor tablet 7Q204.....	9
3.	Basic controls.....	10
3.1.	Using the touchscreen.....	10
3.2.	Control buttons on the screen.....	10
3.3.	Memory cards.....	11
3.4.	Turning on the tablet.....	11
3.5.	Turning off the tablet.....	12
3.6.	Charging the battery.....	12
3.7.	Main screen.....	13
4.	Using the basic tablet functions.....	15
4.1.	Entering text.....	15
4.2.	Data connection.....	16
4.3.	Viewer.....	16
4.4.	Camera.....	17
4.5.	Play Store.....	17

4.6.	Alarm, stopwatch, countdown.....	16
4.7.	Connect to PC.....	19
5.	Tablet settings.....	20
5.1	Networks and internet.....	20
5.2.	Connected devices.....	20
5.3	Applications and announcements.....	20
5.4	Battery.....	21
5.5	Screen.....	21
5.6	Sound.....	21
5.7	Storage.....	21
5.8	Protection and position.....	22
5.9.	Accounts.....	22
5.10.	Accessibility.....	23
5.11.	System.....	23
5.12.	Tablet information.....	23
6.	Troubleshooting.....	24
7.	Technical specifications.....	26
7.1.	Sencor tablet 10.1Q205.....	26
7.2.	Sencor tablet 7Q204.....	27

1. Important safety instructions

If you want to use this product correctly, carefully read this user's manual and store it for future reference. If you give (sell) the appliance to somebody, please also include all the documentation together with this appliance, including this instruction manual. The software installed by the manufacturer and the user may significantly affect the properties of the device. Follow the instructions and manuals for the installed software.

We reserve the right to make changes leading to improvements in the properties or operation of the device without prior notice.

We recommend backing up important data on a regular basis as well as before changing software in any way. Neither the distributor nor vendor is responsible for such loss of data.



This symbol indicates important operating or repair instructions in the device's documentation.

General safety instructions

- Read this user's manual. Follow the instructions contained in this user's manual.
- Heed all warnings.
- Adhere to all instructions.
- Use only accessories determined by the manufacturer.
- An open flame must not be placed on the device, e.g. burning candle.
- Use the device in a temperate climate zone, in domestic conditions, unless expressly instructed otherwise.
- Neither the manufacturer nor the vendor of the appliance under no condition takes responsibility for any direct or indirect damages caused by not adhering to instructions for installation, set-up, use, servicing or cleaning of this appliance as described in this user's manual.
- Protect the appliance against being knocked, dropped, hit, shaken and against vibrations, humidity and dust.
- Do not use excessive force/pressure on any part of the device, namely the buttons, connectors, touchscreen surfaces.
- Before allowing children to use the appliance, they must be appropriately to their age, informed about the correct and safe use of the player.

Practical use

- Protect the device against falls and impacts and protect it against being hit by blunt or sharp objects. Depending on your typical use of the device, use a suitably rigid or otherwise soft case/cover.
- Protect the touch layer against scratching and excessive pressure.
- Only install software with the power adapter connected as this will prevent potential installation errors or damage to the device resulting from an incomplete installation due to a weak power supply
- Do not use the radio function of the device (Wi-Fi, etc.), or completely turn off the device in places where it is required by general or special regulations, for example in aeroplanes, medical surgeries.
- When using personal medical aids (pacemakers, hearing aids), please inform yourself about possible restrictions relating to the operation of electronic equipment in their vicinity and modify your tablet operating mode if necessary.
- In the event of problems with the operation of the device, fully charge the batteries and perform a factory reset (renew factory settings). Attention: This factory reset will delete all your personal data, entered accounts, user-installed applications and will restore the system to the same condition as when it left the factory.

Safe operation

- Install the device according to the instructions in the user's manual.
- Do not install the appliance in direct sunlight or near sources of heat, such as heaters, heat exchangers, stoves or other appliances (including amplifiers) producing heat. High temperatures may reduce the lifetime of electronic components in the device. Do not use or leave the appliance in the vicinity of an open fire.
- The appliance must not be exposed to dripping or running water and objects filled with water must not be placed on it, e.g. vases. Protect the appliance against rain, spray or contact with any other liquid; do not leave or install the appliance outdoors. Do not use the appliance outdoors. Not adhering to these instructions creates a risk of electrical shock or fire hazard.
- Before connecting the device's power adapter to a power socket, check that the voltage in your power socket corresponds to the voltage on the rating label found on the power adapter.
- Make sure that the power cord is not stepped on or compressed, particularly near the power plug, power socket and at the point where it exits the device or the adapter. The power plug (adapter) is used as a disconnection appliance and must be easily accessible.
- Firmly insert the power plug into the power socket on the device until it is fully

pushed in. Do not use excessive force to insert the plug.

- Do not handle the tablet while it is charging to prevent mechanically damaging it – breaking out connectors or breaking cables.
- Remember to always disconnect the power plug (adapter) from the power socket before disconnecting the power cable from the rear side of the device.
- Disconnect the device or the adapter from the power socket during storms or if you will not be using it for a longer period of time.
- Avoid moving the appliance from a cold environment to a warm one or vice versa, or when using the appliance in a very humid environment. Air humidity may condense on some components inside the case of the appliance and the appliance may stop working temporarily. If this occurs leave the appliance in a warm and well ventilated place and wait 1 – 2 hours until the moisture evaporates and the appliance can once more be used as usual. Take care especially during the first use of the player immediately after its purchase during a cold season.
- Do not use the headphones with a high volume level over the long term so as to prevent hearing damage.
- Do not use the device during activities requiring concentration, for example driving transport vehicles, walking on footpaths and other travel ways (roads, railway lines, escalators, etc.), or work with tools that could cause injuries.
- To achieve the maximum battery lifetime, fully charge the batteries if you will not be using the device for an extended period of time.
- Neither the manufacturer nor the vendor of the appliance under no condition takes responsibility for any direct or indirect damages caused by not adhering to instructions for installation, set-up, use, servicing or cleaning of this appliance as described in this user's manual.

Repairs and maintenance

- To prevent risk of injury through electrical shock or the creation of a fire, do not disassemble the device or the adapter – there are no parts inside that are repairable or adjustable by the user without relevant equipment and qualifications. Should the appliance require adjustment or repair, contact a professional service centre.
- Have old batteries replaced at a professional service centre in order to maintain the full functionality of the device and for the ecological disposal of old parts.
- In the case of any unusual events occurring during the use of the appliance, e.g. if there is a distinct smell of burning insulation or smoke comes out of the appliance, immediately turn off the appliance, disconnect the appliance from the power source and do not use the appliance until you have received the results of the inspection performed by the employees of the professional service centre.

- Have all repairs carried out by qualified personnel. Repairs are necessary if the appliance has been damaged in any way, for example if the power cord is damaged, liquid was poured on the appliance, foreign objects have entered the appliance, the appliance has been exposed to rain or moisture, if the appliance is not working as usual or if it has fallen.
- Before cleaning, carrying, taking discs and memory cards out of the device or other maintenance, disconnect the plug (adapter) from the power socket.
- Backup your data before any intervention (maintenance, etc.) is performed.
- Clean the device only with a dry cloth.
- For cleaning do not use petrol, thinners or any other solvents or use any abrasive cleaning agents, steel wool or any sponges with steel wool.

Notes on the USB connector:

USB flash drives must be inserted into the device directly or using the supplied cable. To prevent data transmission failure or its interference do not use a different USB extension cable. Electrostatic discharges may cause the unit to malfunction. In such an event, the user must restart the unit.

Before permanent use of a USB device, test its ability to communicate with the device and its data reading and writing speed. The performance of the memory device (e.g. speed and available space) may, apart from the properties of the memory hardware, also depend on the software that is used. Find out the properties and hardware demands of the software that is used.

The USB connector is the standard type and is not able to power a USB device with a high power usage (e.g. hard disk drives HDD). Use devices with independent power supplies and power them from their own power supplies.

– The appliance has been designed to achieve maximum compatibility with memory devices. With respect to the variety of devices on the market, it is not possible to guarantee compatibility with every USB device. In the event of difficulties, try formatting the memory device directly in the appliance. If problems persist, use a different memory device.

Due to the wide range of microSD cards / USB devices available on the market it is not possible to guarantee the compatibility of the device with all microSD cards / USB devices.

Serial number of the appliance

The serial number of the device is unique and unequivocally identifies your device. Enter the serial number of your appliance together with other details necessary for the definite identification of your appliance below.

Serial number: _____

Date of purchase: _____

Supplement to LCD

Measures to take when a static image is displayed; red/blue/green pixels on the screen

A static image can permanently damage the display part of the television

- Do not leave a static image on an LCD screen for longer than 2 hours, because this could damage the screen. This type of damage is known as "screen burn-in".
- Damage to the screen resulting from the above mentioned causes is not covered by the warranty!

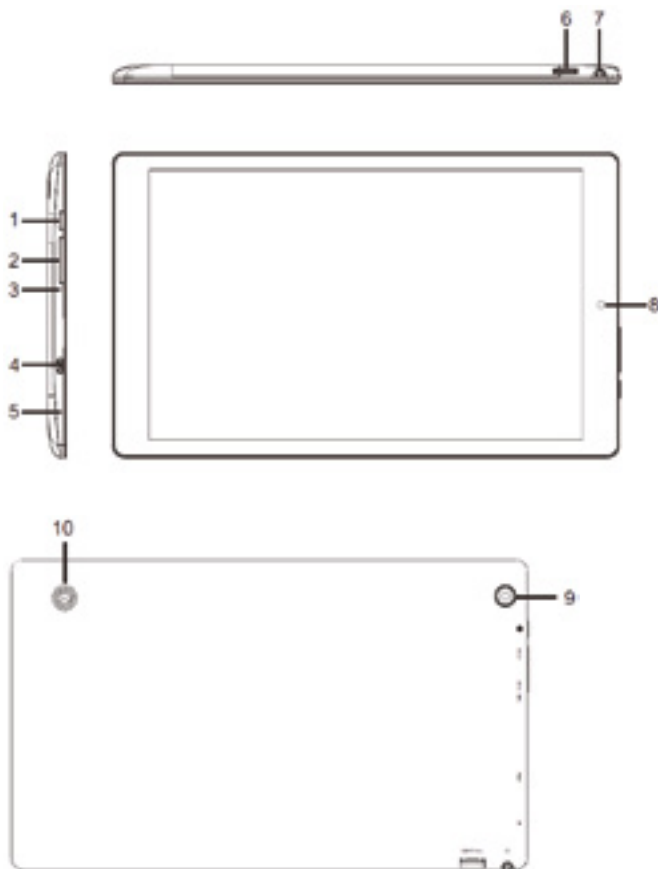


Red/blue/green/black pixels may appear on the screen

- This is a characteristic feature of liquid crystal displays and does not represent a problem. LCD screens are manufactured using a very precise technology in order to achieve a very fine picture resolution. From time to time several inactive pixels may appear on the screen as a permanently red, blue, green or black pixel (up to 0.001 % of the total number of pixels on the screen). This does not in any way affect the features and performance of your television.

2. Description of the appliance

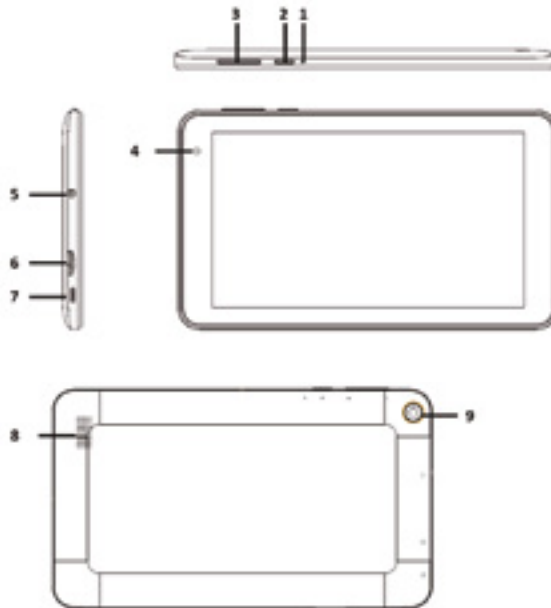
2.1. Sencor tablet 10.1Q205



- 1. Power button:** serves to turn the display on/off (when tapped) and to open the quick select screen for shutting down or restarting the tablet (when button is held down).
- 2. Volume control buttons**
- 3. Microphone**
- 4. Charging connector**
- 5. Reset:** To reset your tablet, press the reset button with a thin object. Attention: Back up data on to an external storage device before resetting the tablet. Resetting your tablet may result in losing your stored data and tablet settings.

- 6. microSD card slot
- 7. Headphone jack
- 8. Front camera
- 9. Rear camera
- 10. Loudspeaker

2.2. Sencor tablet 7Q204



1. **Reset:** To reset your tablet, press the reset button with a thin object. Attention: Back up data on to an external storage device before resetting the tablet. Resetting your tablet may result in losing your stored data and tablet settings.
2. **Power button:** serves to turn the display on/off (when tapped) and to open the quick select screen for shutting down or restarting the tablet (when button is held down).
3. **Volume control buttons**
4. **Front camera**
5. **Headphone jack**
6. **microSD card slot**
7. **Charging connector**
8. **Loudspeaker**
9. **Rear camera**

3. Basic operation

3.1. Using the touchscreen

- **Tap** on the respective icon on the main screen or in a tablet menu to launch/open an application, select a desired item from a list or to perform an action (e.g. Edit, Save).
- **Drag an icon** to the main screen by touching, holding down and then dragging the icon to a different location. When viewing websites or stored images, you may move around by **sliding fingers** on the screen (top down, bottom up or side to side).
- **To zoom in/out** of a website or photograph, place your thumb and index finger on the screen and **move them towards or away from each other** to change the image scale.
- **Automatic display turning** - to set this function, use the Settings - Screen menu.

Note:

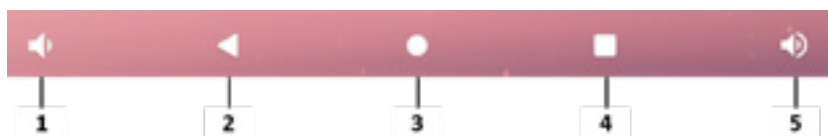
The high sensitivity of the capacitive touchscreen display may affect the accuracy of entry, and likewise current or personal conditions or inappropriate protective foils. Try it out and learn to control it by means of touch. Always use the tablet in a dry environment without gloves or other obstacles.

3.2. Using the buttons on the screen

Volume control buttons (No. 1 and 5 on the figure below) allow you to quickly change the tablet sound settings.

- Pressing the Back button (No. 2) will undo the last performed step depending on the currently active application (this option is invalid in case of confirming a command to uninstall the application etc.).
- Press the Home button (No. 3) to leave the currently running application and display the main screen. Swipe your finger from the screen edge upward (over the display control buttons) to open the list of available applications.
- Press the Running applications button (No. 4) to display the list of recently open applications. Press the respective application to re-open it. Eject the running application from the list (by pressing and moving upward) to close it and free up the resources (memory) being used.

To display the menu of options and setting selected applications, press the icon with three dots, usually located at the upper right corner of the screen provided that other settings are available.



3.3. Memory cards

To insert a memory card, use the slot on the underside of the tablet. Insert the memory card gently into the slot and use your nail or a blunt instrument to push it in until a gentle click is heard. To take the card out, proceed as follows: push the card in towards the tablet using your nail or a blunt instrument and then release the pressure. The card will be released from the lock and is ready for removal.

Note:

In Sencor 10.1Q205 model, the memory card is to be inserted with the contacts pointing towards the tablet rear side, while the memory card notch is oriented towards the tablet's longer side.

In Sencor 7Q204 model, the memory card is to be inserted with the contacts pointing towards the LCD display, while the memory card notch is oriented towards the tablet's shorter side.

Once the new memory card has been inserted, expand the information panel on the top of the display and select the memory card settings notifications. Select the memory card type of use. The "Temporary tablet storage" option can be used to expand the device's memory, while the "Portable storage" option can be used to view the files stored on the memory card.

Note: Please use memory cards with higher transfer rates as the tablet's temporary storage. Upon starting the process, you will be informed on the necessity to format the memory card. All data will be irretrievably lost.

Attention:

When removing the memory card, it may quickly jump out of the tablet, so always gently hold the memory card back. Never replace the memory card in a location where it could be lost or damaged. Pay increased attention when handling the memory card to prevent damaging it or the slot where it is inserted.

3.4. Turning on the tablet

If you wish to turn on a turned off tablet, hold down the **Power** button for a few seconds until the tablet turns on. Then the operating system and other parts of the tablet will start loading. Wait until it loads up fully and the home screen or security message (e.g. screen lock) appears.

Turning on for the tablet for the first time

If you are turning on a new tablet for the first time, a "Settings wizard" will guide you through the first start-up and basic settings. The tablet settings that you make before the first start-up (language, WiFi networks, etc.) can be changed at any time in the tablet Settings.

In the first step, select a language for the tablet. The "Settings wizard" will then continue in this language. The wizard consists of several screens, which you may navigate by pressing the buttons at the bottom of the screen "Next"/"Back" or "Skip".

The following messages may appear while the tablet is starting up:

- **"Input Lock Code" (Enter the lock code into the tablet)** - The tablet is locked. Enter the appropriate code for unlocking the tablet.

Tip:

Briefly press the **Power button** to "wake up" the tablet when it is turned on but running in the sleep mode to save battery power by turning off the display.

3.5. Turning off the tablet

If you wish to turn off the tablet, press the **Power** button until an options window appears on the screen. Select the option **Power off**. While holding down the **Power** button, you can also only select the tablet **Restart** option.

Tip:

To save battery power, short press the **Power button** to "put to sleep" a running tablet.

3.6. Charging the battery

- Insert the charger connector into the tablet and plug the charger into a power socket. On a turned on tablet, the tablet charging process will be indicated in the battery icon in the status bar. On a turned off tablet, a large charging icon (a battery) will appear briefly.
- If the tablet was used up to the full battery discharge, it may take some time (usually several seconds) until a power indication appears on the screen. A tablet with a completely flat battery cannot be turned on until the battery is charged to a minimum level that is necessary for starting up the tablet.
- The tablet is equipped with a powerful battery to provide satisfactory operation in Sleep/Standby as well as the operation with turned on display and running applications. The battery takes several hours to charge (initially quickly, then slowly in the end) to ensure maximum battery life and utilisation of its capacity. We recommend charging the battery only after the tablet first gives a weak battery

notification (typically 15 %) and to charge it fully (100 %).

- We recommend that the first three charging cycles be performed continuously (charge up to 100 % and discharge by normal use until shutdown). In this way, you will achieve improved battery performance for a longer product lifetime. The tablet and charger heat up during the charging process, which is normal.
- The full battery capacity icon on display indicates full battery charge as well as end of charging.
- Once the charging is finished, please disconnect the charging adaptor from the mains outlet and remove the plug from the tablet.

Attention:

The charging should be performed in a well-ventilated area at temperatures between -10°C and +45°C. Only the charger supplied in the original package may be used. Using a different charger may be dangerous or may result in not achieving the expected performance or may lower, in particular, the lifetime of the battery. If the tablet turns itself off automatically or the message "Battery is low" appears, you should charge the battery. If the battery was not completely flat before charging, the time until it is fully charged will be shorter.

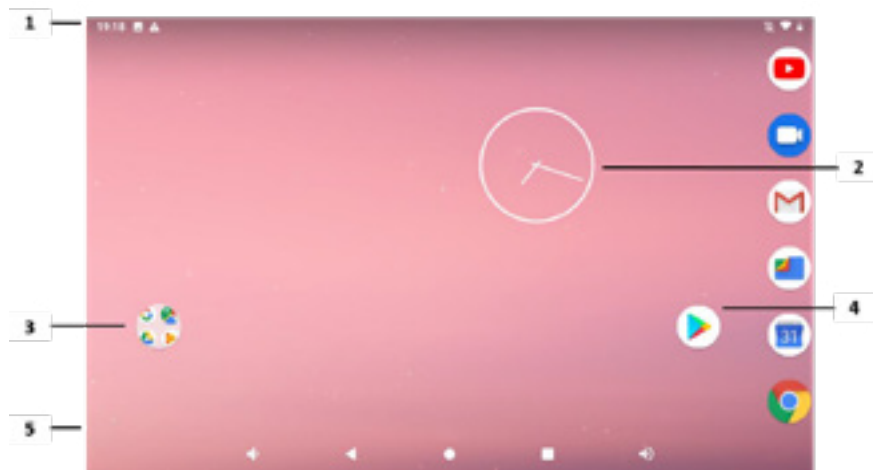
3.7 Main screen

Attention:

Do not use force and do not push on the display when using touch controls. If the system response time is not up to your expectations, remove the cause (e.g. moisture on the display, gloves) or wait for a system response in the case where it is busy with another application or activity.

- The **Status bar** (top row on the screen, No. 1 on the picture below) may show, for example, battery level, WiFi network connection and notifications about installed applications.

- **The Home screen** (default) contains the icons of the most frequently used items. You can place your applications, application widgets (No 2), folders or application shortcuts (No. 3 and 4) on the main screen to launch them quickly. To expand the bottom panel (No. 5), swipe your finger from the screen edge upwards all the way over the display. This will provide access to available applications (such as Settings, Photos) or currently running applications (by swiping your finger shortly inwards). You can customize the application icons on the main screen to your choice (see Touch screen control - moving an icon). If there is a higher number of items, you can use the main screen wide area (the main screen may contain several parts, among which you can move by swiping your finger from right to left and vice versa).



- **Display the Information panel** containing information about current application notifications by sliding the status bar downwards. Display the quick select menu by repeatedly pulling down the top panel.
- **The quick select menu** enables quick activation/deactivation of selected tablet functions or displaying of detailed information. The quick choice menu comprises of the following items: settings, brightness, WiFi, battery information, DND mode, automatic display rotation, Bluetooth and aircraft mode.

4. Using the basic tablet functions

Certain applications are already pre-installed when the device is purchased.

Note:

The operating system is under continuous development and its parts may change (namely the graphical interface) or new parts may be added or old parts removed. You are regularly informed about such changes, pay attention to this information. After these changes are made, the appearance or controls may differ slightly from what is described in this user's manual.

Attention:

The content of / access to the remote preset services (such as YouTube, Google™ Chrome) is managed by third parties and is not guaranteed by the device manufacturer. The manufacturer of the device does not provide any basic or supplemental licences to content provided by third parties.

4.1. Entering text

- The keyboard will automatically appear on the tablet screen if either text or number entering is required (usually after pressing a required application function or an item to enter text, such as pressing the web browser's area to type a web address). To change the on-screen keyboard size, rotate your tablet in "landscape" orientation (provided that the automatic display rotation function is enabled).
- **Hold down and drag** to select the character with a diacritical symbol (e.g. letter "š" after pressing, hold and drag the selection for letter "s") or number (number "2" in the menu for letter "w").
- Remove incorrect characters using the **"Backspace"** button on the top right side of the keyboard (left arrow with cross). If you need to delete or enter characters in the higher located text, select the desired location by pressing with your finger, edit as required and then press the location where you wish to continue with the text.
- When a **special character button** („?123" a „ . is held down, this will display an offer of punctuation characters. Use the **Space bar** to make a space between entered text. To change the keyboard settings, hold down the slash key („ / ") , then select the gear icon that appears.
- **Press the key "123"** to toggle to a keyboard with special characters, press "ABC" to toggle back to the keyboard with letters. Press the **"Shift"** key (up arrow on the right and left side of the keyboard) to toggle to the capital letter mode. Press and hold to activate capital letters until this key is pressed again.

4.2. Data connection

Your tablet can connect to the internet via a WiFi network. You can enable/disable data transfers in the tablet settings (see the chapter Tablet settings – Network and internet) or in the quick selection menu.

4.3. Browser

The tablet has the Google™ Chrome browser pre-installed. It is used for accessing the internet and viewing websites. This browser may not be able to display all types of websites correctly. For the Browser to function properly, you must have an active data connection.

Press the browser icon to launch the application. The address entry field is located at the top of the screen. To display a selected website, press the address entry field of the browser and use the keyboard to enter the address of the website. Confirm your choice by selecting from the offered list that is based on the text you entered into the address field.

Press the icon with three dots on the right of the address field to display the browser options (e.g. open new tab, history, settings).

Note:

Some websites with a larger number of interactive elements and advertisements pose load surges on the device's hardware and consequently they may not always work correctly and/or quickly while being downloaded. .

4.4. Camera

To zoom in/out, place your thumb and index finger on the screen (moving them towards or away from each other will change the image scale). Take a photograph by pressing the camera icon.

To show the camera to video recorder toggle menu, slide a finger from left to right along the display (by dragging the screen from the left part of the display).

The taken photographs/videos can be immediately displayed in the Gallery application after sliding a finger from right to left along the display (by dragging the screen from the right part of the display).

Note:

All photos and videos are stored in the tablet's internal memory.

A menu can be displayed on the camera home screen (icon with three dots) to access other options, e.g. to toggle between the front and rear camera, to display a grid or to set a self timer.

4.5. Play Store

The Play Store application allows you to download applications on to your tablet. A stable internet connection is required to search for and download applications.

Downloading an application

Tap on the Play Store icon and select the application that you wish to download from the default groups or you can search for it by name in the upper part of the screen.

Note:

When logging in the Play Store for the first time, you must register with your Google™ account. Enter your email account and in the next step enter your password or create a new account using the wizard. Then tap on "Next". To complete the registration, it is necessary to confirm agreement with the contractual conditions. After logging in for the first time, you will be requested to enter your credit card details. If you do not wish to use a credit card, select the option "Remind me later".

Select an application that you wish to download and tap on "Install". As soon as the downloading process starts, the download results information window/bar will appear. Once the application is downloaded, it is installed and a confirmation symbol will appear on the information bar at the top of the screen.

Upon completion, show the details by pulling down the information bar. Tap on the successfully installed item to launch the application.

Uninstalling an application

In the top left corner of the Play Store application, press the Menu icon (three row icon). In the application menu under the tab "My applications", you can display a list of installed applications. Here you can also Uninstall a selected application after clicking on its icon.

4.6. Alarm, stopwatch, countdown

Setting the wake-up time - In the Clock application on the alarm tab (top left icon)



, press the "plus" icon, then drag your finger on the dial to set the required wake-up time. In the next step, you can activate/deactivate the set alarm (by pressing the toggle button located on the right of the set alarm time), select repetition for individual days of the week and select a ringtone for the alarm.

Tip:

In the Clock application you can also see an overview of the current time in set cities, a countdown function or a stopwatch (following the top icons behind the alarm icon at the top of the screen from left to right).



4.7. Connect to PC

Connect a USB cable to a computer and your tablet. Wait until your computer's operating system installs the necessary drivers for communicating with the tablet. To display stored files and to work with them on your computer, open the information panel menu on the tablet's home screen and select the option "Charge device via USB" and then confirm the option "File transfer". After a successful connection, you can display your stored files using Windows Explorer.

Attention:

Connection of the tablet to a computer is supported by Microsoft operating systems Windows 7 and higher.

Note:

While there is a software connection of the internal memory to the computer system, your tablet will be unable to access your stored files. It will not be possible to use certain tablet applications, e.g. camera. After disconnecting from the computer, the tablet will renew access to this memory.

5. Tablet settings

The options for tablet settings are separated into several sections. Below you will find the most frequently used settings for your tablet.

5.1 Networks and internet

- **WiFi** – the WiFi enable/disable icon is located on the top right. If the WiFi is enabled, a list of available networks appears as soon as all of them are detected and recognized. To enable a new connection, click the selected WiFi network and enter the password if required. In case of problems, please contact the administrator of the WiFi you fail to connect to.
- **Data usage** – this function can be used for an informative display of data transfer amount history and an overview of data amount usage by individual tablet applications for a selected period as they are read out by the tablet. However, superior systems may also take some service transfers into account that are unavailable in the tablet itself.
- **Hotspot a tethering** – you can use this function to create your own WiFi/Bluetooth hotspot and share your data connection with your close neighbourhood. In this mode, the tablet changes its role from a user (client) into a provider (WiFi / BT). To resume the role of a client, it is necessary to disable tethering.
- **Aircraft mode** - you can enable/disable the aircraft mode here (no data transfers take place, other modes can be used).

5.2. Connected devices

Bluetooth

- The “Pair a new device” function searches for and tries to recognize devices set as visible in their neighbourhood. To activate a new device, click the selected device and enter the pairing code if required.
- The “Previously connected devices” function can be used to adjust the available function options of the previously connected devices or remove them from the list.
- The “Connection presets” function can be used to enable/disable the Bluetooth connection and change your device’s name (to be seen by others).

5.3 Applications and announcements

- This shows the list of downloaded/currently running applications installed in your tablet. Clicking a selected application will show details on that application including the option to uninstall/remove the application from your tablet. Preset applications cannot be uninstalled.

Attention:

All the applications are installed in the device's internal memory. The applications cannot be moved to an external storage. We recommend to uninstall unused applications and keep free space continuously for possible application updates.

- The announcement allows you to adjust the display of individual application information on the locked screen and adjust the sound settings (tunes etc.).
- The default application allows you to select an application to be used as default (such as a default internet browser if more browsers are installed in your tablet).

5.4 Battery

This shows an overview of individual applications and their share in the battery usage. In the top right corner of the display, you can enable the battery saver as well as the battery charge level display (in percentage).

5.5 Screen

This is used to adjust the settings of wallpaper, brightness, automatic screen rotation, sleep mode, screen saver and font size.

5.6 Sound

This adjusts the sound settings (tune selection and volume), alarm clock ringing, announcement and the DND profile.

5.7 Storage

You can display the memory usage overview and use the safe SD card removal function (if inserted).

Attention:

As some of the total tablet storage displayed is taken up by the system resources, it cannot be used in full. To update the applications, please make sure that there is enough free internal memory space.

5.3 Protection and position

- **Location** – to function correctly, certain applications require the location of the tablet to be determined via WiFi hotspots. The enable/disable icon is located on the top right.
- **Security** – this offers the option of tablet security management, such as setting the automatic screen lock when a selected time interval has passed (when the selected screen lock types are enabled, this option is available in the submenu via a small gear icon in the Screen lock item row). You can also set the tablet encryption.

5.9. Accounts

Your tablet supports a simultaneous connection to several different accounts using IMAP, POP3 or Exchange in case of a corporate e-mail account. Please contact the administrator of your email server for correct setup of your email account. To use all functions of your tablet (such as the Play Store service, photo and document synchronization, Google™ Maps), it's useful to connect your tablet to a Google™ account. You can add a new or already existing account. To move between individual settings steps in the account adding options, use the arrows at the screen bottom (one step backward/forward).

- **To connect to an already existing Google™ account** – please enter your Google™ account user credentials that you use (e-mail address and the password in the next step).
- **To create a new Google™ account** – select the “Create new account” option, enter your first name and surname, select appropriate and unique login (e-mail address), then select a password to be used for login (the password is to be entered twice to eliminate an unwanted error). You can also fill in your contact details for renewing a forgotten password by means of an SMS or an alternative email address. Some steps in the settings can be fully skipped or taken later on without affecting the basic Google™ functionality (such as account upgrade, setting payment details).

Tip:

You don't have to save your payment card details in your account, unless you plan to use it to buy chargeable applications in the Play Store.

Attention:

A reliable internet connection is required while creating your new account.

- **To remove Google™ account** – in Settings / Accounts, select a required Google™ account, then select the “Remove account” option. If the account removal is disabled by the administrator, you must first disable all the tablet security previously set (such as gestures and screen code).

5.10. Accessibility

This is used to adjust your tablet should any control problems arise (such as the gestures to zoom in the screen, big text, password pronunciation).

5.11. System

- **Languages and input** – you can change for example tablet and keyboard language and text entering methods. In the language selection, you can select and add a language from the offered list. Previously selected languages remain visible while the first row language is the current tablet’s language. To change the preferred password, press the icon in the shape of four strips located on the right of each selected language row. Press and drag this icon upward to the top of the list so that the required language appears in the first row.
- **Date and time** – you can adjust the tablet’s current date and time manually including the display format.
- **Advanced** – reset options allow you to restore the default settings that irretrievably erase all data stored in your tablet (such as music, contacts, photos).

Tip:

Before restoring the default settings or performing a factory reset, please back up all data from your tablet outside the device on which the factory reset is to be performed.

5.12. Tablet information

The system information on your device can be found here.

6. Troubleshooting

Attention:

Under no circumstances should you attempt to repair the device yourself as it contains no parts that users can repair themselves. Always take the appliance to an authorised service centre if repairs, adjustment or other regular services are necessary. Unauthorised tampering with the device is considered to constitute a breach and shall void the warranty policy. Neither the importer, supplier, distributor or vendor bear any responsibility for any losses caused by a breach of the provisions specified in this user's manual. Do not open the device as there is a risk of injury by electric shock. If the device malfunctions, first check the following list of problems and their solutions. If you are not able to remedy the fault with the help of the following tips, contact your vendor.

The device does not connect to Wi-Fi.

- Check that Wi-Fi works on another device.
- Make sure that the respective Wi-Fi router is within sufficient range of the tablet. Walls and other obstacles may reduce signal strength.
- Check that you have entered the correct password.

It is not possible to turn on the device.

- The battery is almost flat and it is not possible to turn on the device. Connect the power adapter and charge the battery. Check that the power adapter is correctly connected.
- Hold down the main power button for about 10 seconds to restart the device.

Device heating up

- The device heats up during use, when the highest screen brightness is set and while charging. This is normal.

The system exhibits anomalies and does not work correctly.

- The installation of third-party applications may cause the system not to function. Hold down the main switch for about 10 seconds to restart the device.

It is not possible to log into email or to download an application.

- Check that the device is connected to Wi-Fi and that the internet is working.
- Check that you have entered the correct login details for your email website.
- Check that the system time is the same as local time.

The operating time is too short.

- Battery life may vary depending on temperature and other parameters. Battery life will be affected by temperature that is too low or too high. We recommend that you use the device at normal room temperature.

- The life of the battery depends on the way it is used. High volume, Wi-Fi and frequent use may cause the battery to go flat quickly.

No sound is reproduced in the connected headphones.

- Check the volume.
- Use a different audio device to check that the audio file is not damaged.

Colour disproportions of video files or images.

- Hold down the main power button for about 10 seconds to restart the device.

It is not possible to copy files.

- Check that the device is correctly connected to the computer.
- Check the memory status.
- Check whether the USB cable is damaged.

Other problems

- In the event of other problems, perform the following steps before sending the device to an authorised service centre.
- Step 1: Hold down the main switch for about 10 seconds to restart the device. Check whether the given function now works correctly.
- Step 2: Backup the data stored in the device and perform a factory data reset in Settings/Backup&Reset/Factory Data Reset.

7. Technical specifications

7.1. Sencor tablet 10.1Q205

Display

Screen size: Technology 10.1" IPS
 Resolution: HD 1280 x 800 pixels 16:9
 Gravitational sensor

Chipset and memory:

CPU: Rockchip 3326 (Quad Core 1.5GHz)
 GPU: Mali-400MP2
 RAM memory: 2GB DDR3
 Memory storage: 16GB E-NAND
 Micro SDHC card slot (up to 64 GB)

Camera

Front camera: 0.3MP
 Rear camera: 2MP

Network/connection

WiFi: 2.4 GHz (802.11 b/g/n)
 Bluetooth: BT 4.0

Supported audio-video formats

Video: MPEG-4 H.264/H.263, AVI, MKV, WMV, MOV, MP4, FLV, MPG, etc.
 Audio: MP3, WAV, AAC, AMB, FLAC, etc.
 Images: JPEG, BMP, GIF, PNG, etc.

Other

OS: Android 9
 Support for Android applications (via Google Play)
 3.5mm jack
 Micro USB 2.0 (OTG/USB host support)
 Batteries: 5,000 mAh Li-Pol
 Power input: 5 V 2 A
 Dimensions: 254.5 x 153 x 9.3 mm
 Weight: 511 g (including the battery)
 Accessories: MicroUSB cable, power adapter

Bluetooth	Version	4.0
	Maximum Transmitter Power	100mW at 2,4GHz - 2,4835GHz
WiFi	Broadcast band	2.4 GHz

7.2. Sencor tablet 7Q204

Display

Screen size: Technology 7" IPS
 Resolution: HD 1024 x 600 pixels 16:9
 Accelerometer, gravitation sensor

Chipset and memory:

CPU: Rockchip 3326 (Quad Core 1.5GHz)
 GPU: Mali-400MP2
 RAM memory: 2GB DDR3
 Memory storage: 16GB E-NAND
 Micro SDHC card slot (up to 64 GB)

Camera

Front camera: 0.3MP
 Rear camera: 2MP

Network/connection

WiFi: 2.4 GHz (802.11 b/g/n)
 Bluetooth: BT 4.0

Supported audio-video formats

Video: MPEG-4 H.264/H.263, AVI, MKV, WMV, MOV, MP4, FLV, MPG, etc.
 Audio: MP3, WAV, AAC, AMB, FLAC, etc.
 Images: JPEG, BMP, GIF, PNG, etc.

Other

OS: Android 9
 Support for Android applications (via Google Play)
 3.5mm jack
 Micro USB 2.0 (OTG/USB host support)
 Batteries: 2,400 mAh Li-Pol
 Power input: 5 V 1.5 A
 Dimensions: 190 x 109.5 x 9.6mm
 Weight: 266 g (including the battery)
 Accessories: MicroUSB cable, power adapter

Bluetooth	Version	4.0
	Maximum Transmitter Power	100mW at 2,4GHz - 2,4835GHz
WiFi	Broadcast band	2.4 GHz

INSTRUCTIONS AND INFORMATION ON DISPOSING OF USED PACKAGING MATERIALS

Dispose of used packaging material at a waste site in your municipality.



DISPOSAL OF USED ELECTRIC AND ELECTRONIC DEVICES

This symbol on products or original documents means that used electric or electronic products must not be added to ordinary municipal waste. For proper disposal and recycling, take these products to designated collection points. Or in some European Union states or other European countries the products can be returned to the local retailer when buying an equivalent new product. Disposing of this product correctly helps save valuable natural resources and prevents damage to the environment by improper waste disposal. Ask your local authorities or collection facility for more details. In accordance with national regulations penalties may be imposed for the incorrect disposal of this type of waste.

For business entities in European Union states

If you want to dispose of electric or electronic devices, ask your retailer or supplier for the necessary information.

Disposal in other countries outside the European Union

This symbol is valid in the European Union. If you wish to dispose of this product, request the necessary information about the correct disposal method from the local council or from your retailer.



FAST ČR a.s. hereby declares that the radio device type Sencor 7Q204/Sencor 10.1Q205 conforms to the 2014/53/EU Directive.

For full version of the EU declaration of conformity, please refer to www.sencor.eu website.

The text, design and technical specifications may be changed without prior notice and we reserve the right to make these changes.

Google, Android is a trademark of Google LLC.

SENCOR®

EN Warranty conditions

Warranty card is not a part of the device packaging.

This product is warranted for the period of 24 months from the date of purchase to the end-user. Warranty is limited to the following conditions. Warranty is referred only to the customer goods using for common domestic use. The claim for service can be applied either at dealer's shop where the product was bought, or at below mentioned authorized service shops. The end-user is obligated to set up a claim immediately when the defects appeared but only till the end of warranty period. The end user is obligated to cooperate to certify the claiming defects. Only completed and clean (according to hygienic standards) product will be accepted. In case of eligible warranty claim the warranty period will be prolonged by the period from the date of claim application till the date of taking over the product by end-user, or the date the end-user is obligated to take it over. To obtain the service under this warranty, end-user is obligated to certify his claim with duly completed following documents: receipt, certificate of warranty, certificate of installation.

This warranty is void especially if apply as follows:

- Defects which were put on sale.
- Wear-out or damage caused by common use.
- The product was damaged by unprofessional or wrong installation, used in contrary to the applicable instruction manual, used in contrary to legal enactment and common process of use or used for another purpose which has been designed for.
- The product was damaged by uncared-for or insufficient maintenance.
- The product was damaged by dirt, accident of force majeure (natural disaster, fire, and flood).
- Defects on functionality caused by low duality of signal, electromagnetic field interference etc.
- The product was mechanically damaged (e.g. broken button, fall).
- Damage caused by use of unsuitable media, fillings, expendable supplies (batteries) or by unsuitable working conditions (e.g. high temperatures, high humidity, quakes).
- Repair, modification or other failure action to the product by unauthorized person.
- End-user did not prove enough his right to claim (time and place of purchase).
- Data on presented documents differs from data on products.
- Cases when the claiming product cannot be indentified according to the presented documents (e.g. the serial number or the warranty seal has been damaged).

Authorized service centers

Visit www.sencor.eu for detailed information about authorized service centers.