

Instructions Manual

*SHIG910X*

# INDEX

---

RECOMMENDATIONS AND SUGGESTIONS .....	3
CHARACTERISTICS .....	4
INSTALLATION.....	6
USE .....	10
MAINTENANCE .....	11

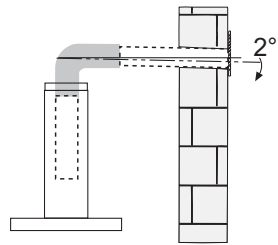
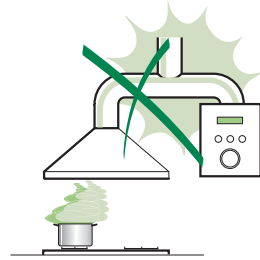


# RECOMMENDATIONS AND SUGGESTIONS

△ The Instructions for Use apply to several versions of this appliance. Accordingly, you may find descriptions of individual features that do not apply to your specific appliance.

## INSTALLATION

- The manufacturer will not be held liable for any damages resulting from incorrect or improper installation.
- The minimum safety distance between the cooker top and the extractor hood is 650 mm (some models can be installed at a lower height, please refer to the paragraphs on working dimensions and installation).
- Check that the mains voltage corresponds to that indicated on the rating plate fixed to the inside of the hood.
- For Class I appliances, check that the domestic power supply guarantees adequate earthing. Connect the extractor to the exhaust flue through a pipe of minimum diameter 120 mm. The route of the flue must be as short as possible.
- Do not connect the extractor hood to exhaust ducts carrying combustion fumes (boilers, fireplaces, etc.).
- If the extractor is used in conjunction with non-electrical appliances (e.g. gas burning appliances), a sufficient degree of aeration must be guaranteed in the room in order to prevent the backflow of exhaust gas. The kitchen must have an opening communicating directly with the open air in order to guarantee the entry of clean air. When the cooker hood is used in conjunction with appliances supplied with energy other than electric, the negative pressure in the room must not exceed 0,04 mbar to prevent fumes being drawn back into the room by the cooker hood.
- In the event of damage to the power cable, it must be replaced by the manufacturer or by the technical service department, in order to prevent any risks.  
**WARNING:** Failure to install the screws or fixing device in accordance with these instructions may result in electrical hazards."

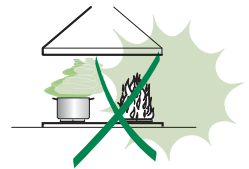



## USE

- The extractor hood has been designed exclusively for domestic use to eliminate kitchen smells.
- Never use the hood for purposes other than for which it has been designed.
- Never leave high naked flames under the hood when it is in operation.
- Adjust the flame intensity to direct it onto the bottom of the pan only, making sure that it does not engulf the sides.
- Deep fat fryers must be continuously monitored during use: overheated oil can burst into flames.
- Do not flambé under the range hood; risk of fire
- This appliance is not intended for use by persons (including children) with reduced physical, sensory or mental capabilities, or lack of experience and knowledge, unless they have been given supervision or instruction concerning use of the appliance by a person responsible for their safety.
- Children should be supervised to ensure that they do not play with the appliance.
- **WARNING:** Accessible parts may become hot when used with cooking appliances."

## MAINTENANCE

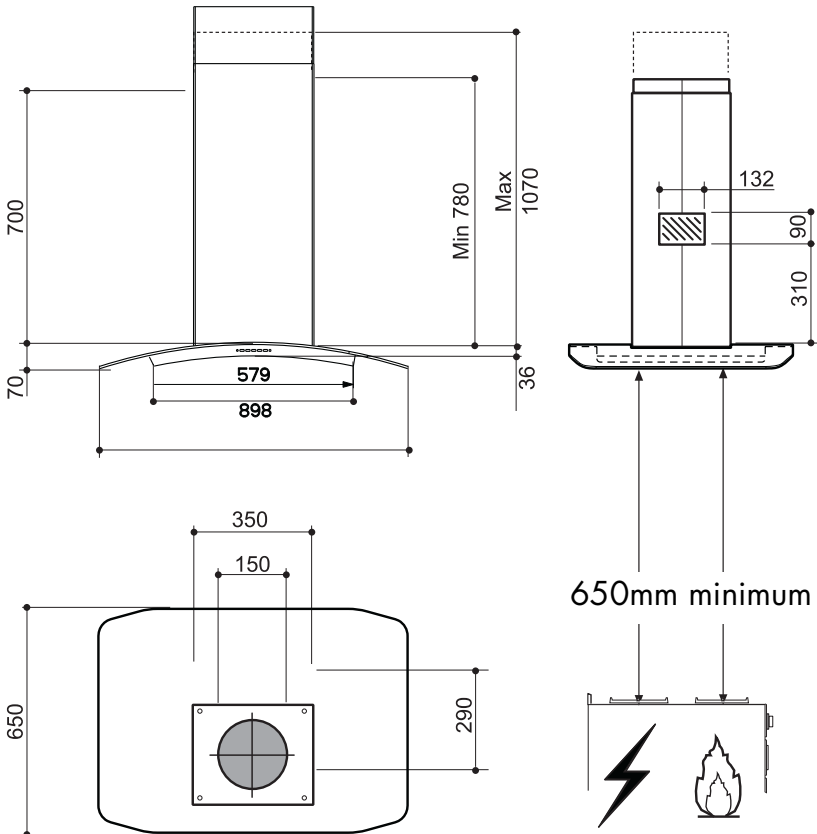
- Switch off or unplug the appliance from the mains supply before carrying out any maintenance work.
- Clean and/or replace the Filters after the specified time period (Fire hazard).
- Clean the hood using a damp cloth and a neutral liquid detergent.



The symbol  on the product or on its packaging indicates that this product may not be treated as household waste. Instead it shall be handed over to the applicable collection point for the recycling of electrical and electronic equipment. By ensuring this product is disposed of correctly, you will help prevent potential negative consequences for the environment and human health, which could otherwise be caused by inappropriate waste handling of this product. For more detailed information about recycling of this product, please contact your local city office, your household waste disposal service or the shop where you purchased the product.

# CHARACTERISTICS

## Dimensions

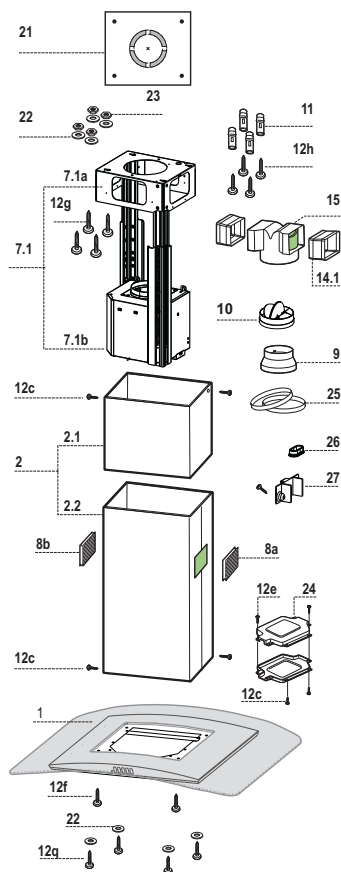


## Components

Ref.	Q.ty	Product Components
1	1	Hood Canopy complete with: Controls, Lights, Filters
2	1	Telescopic chimney made up of:
2.1	1	Upper chimney
2.2	1	Lower chimney
7.1	1	Telescopic frame complete with Suction fan, made up of:
7.1a	1	Upper frame
7.1b	1	Lower frame
8a	1	Rh Air Outlet Directional Grille
8b	1	Lh Air Outlet Directional Grille
9	1	Reduction flange $\varnothing$ 150-120 mm
10	1	Dumper
14.1	1	Air Outlet Connector Extension
15	1	Air Outlet Connector
24	1	Connection box
25		Pipe clamps (not included)
26	2	Cable clamps
27	1	Finishing plug

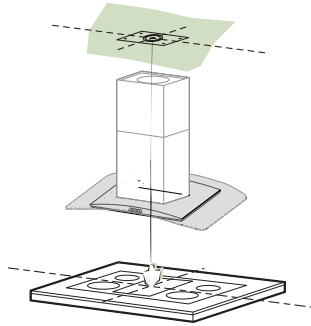
Ref.	Q.ty	Installation Components
11	4	Wall Plugs $\varnothing$ 10
12c	6	Screws 2,9 x 6,5
12e	2	Screws 2,9 x 9,5
12f	2	Screws M4 x 80
12g	4	Screws M6 x 80
12h	4	Screws 5,2 x 70
12q	4	Screws 3,5 x 9,5
21	1	Drilling template
22	8	6.4 mm int. dia washers
23	4	M6 nuts

Q.ty	Documentation
1	Instruction booklet



# INSTALLATION

---



---

## Drilling the Ceiling/shelf and fixing the frame

---

### DRILLING THE CEILING/SHELF

- Use a plumb line to mark the centre of the hob on the ceiling/support shelf.
- Place the drilling template **21** provided on the ceiling/support shelf, making sure that the template is in the correct position by lining up the axes of the template with those of the hob.
- Mark the centres of the holes in the template.
- Drill the holes at the points marked:
  - For concrete ceilings, drill for plugs appropriate to the screw size.
  - For hollow brick ceilings with wall thickness of 20 mm: drill  $\varnothing$  10 mm(immediately insert the Dowels **11** supplied).
  - For wooden beam ceilings, drill according to the wood screws used.
  - For wooden shelf, drill  $\varnothing$  7 mm.
  - For the power supply cable feed, drill  $\varnothing$  10 mm.
  - For the air outlet (Ducted Version), drill according to the diameter of the external air exhaust duct connection.
- Insert two screws of the following type, crossing them and leaving 4-5 mm from the ceiling:
  - For concrete ceilings, use the appropriate plugs for the screw size (not provided).
  - for Cavity ceiling with inner space, with wall thickness of approx. 20 mm, Screws **12h**, supplied.
  - For wooden beam ceilings, use 4 wood screws (not provided).
  - For wooden shelf, use 4 screws **12g** with washers **22** and nuts **23**, provided.

## Fixing the frame

- Loosen the two screws fastening the lower chimney and remove this from the lower frame.
- Loosen the two screws fastening the upper chimney and remove this from the upper frame.

If you wish to adjust the height of the frame, proceed as follows:

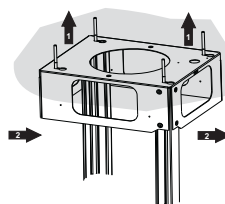
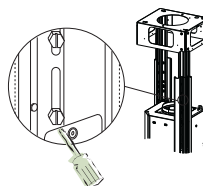
- Unfasten the metric screws joining the two columns, located at the sides of the frame.
- Adjust the frame to the height required, then refit all the screws removed as above.
- Insert the upper chimney stack from above, and leave it running free on the frame.
- Lift up the frame, fit the frame slots onto the screws up to the slot end positions.
- Tighten the two screws and fasten the other two screws provided with the hood.

Before tightening the screws completely it is possible to adjust the frame by turning it. Make sure that the screws do not come out of their seats in the slotted holes.

- The frame mountings must be secure to withstand the weight of the hood and any stresses caused by the occasional side thrust applied to the device.

On completion, check that the base is stable, even if the frame is subjected to bending.

- In all cases where the ceiling is not strong enough at the suspension point, the installer must provide strengthening using suitable plates and backing pieces anchored to the structurally sound parts.



## Connections

### DUCTED VERSION AIR EXHAUST SYSTEM

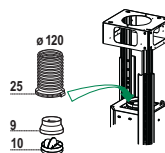
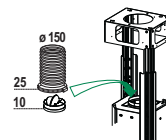
When installing the ducted version, connect the hood to the chimney using either a flexible or rigid pipe  $\varnothing$  150 or 120mm, the choice of which is left to the installer.

#### To install a $\varnothing$ 150 pipe

- To install the dumper **10**
- Fix the pipe in position using sufficient pipe clamps (not supplied).

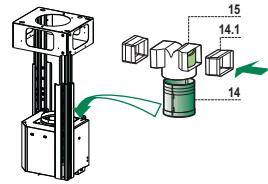
#### To install a $\varnothing$ 120 pipe

- To install a  $\varnothing$  120 mm air exhaust connection, insert the reducer flange **9** on the dumper **10**.
- Fix the pipe in position using sufficient pipe clamps (not supplied).
- Remove any activated charcoal filters.



## RECIRCULATION VERSION AIR OUTLET

- Assemble the two halves of the hood body extension piece **14** (if necessary).
- Push fit the assembled hood body extension piece **14** onto the air outlet (if necessary).
- Push fit connection **15** onto the hood body extension piece **14** or directly onto the hood body.
- Insert the connection extension pieces laterally **14.1** in connection **15**.



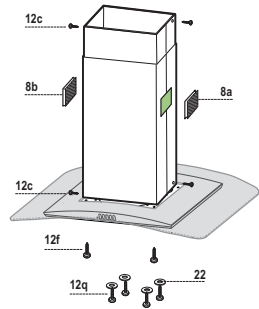
Should the central reinforcing piece of the frame somehow interfere the chimney air outlet grille, it is possible to unscrew it and to place it in another screw hole set.

## Flue assembly - Mounting the hood body

- Position the upper chimney section and fix the upper part to the frame using the 2 screws **12c** (2,9 x 6,5) provided.
- Similarly, position the lower chimney section and fix the lower part to the frame using the 2 screws **12c** (2,9 x 6,5) provided.

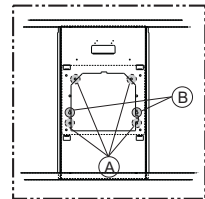
### Recirculation version

- Make sure that the outlet of the extension pieces **14.1** is horizontally and vertically aligned with the chimney outlets.
- Otherwise, remove the lower chimney and adjust the position by inverting the extension pieces for air outlet connection **14.1** or by cutting the hood body extension piece **14** (if any) along one of the chases destined to the predetermined extension lengths. Replace then the elements as earlier described.
- Fit the directional grids **8a - 8b** in their housings making sure that the directional symbols are towards the top. Also make sure that they are correctly inserted in the connection extension pieces **14.1**.



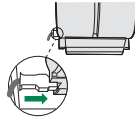
Before fixing the hood canopy to the frame:

- Screw the 2 screws **12f** half way into the holes provided in the sides of the bottom of the frame.
- Remove the grease filters from the hood canopy.
- Remove any activated charcoal filters.
- Lift the hood canopy and engage the screws **12f** in the slots (A) as far as they will go.
- Working from below, fix the hood canopy to the frame (B), using the 4 screws **12q** and 4 washers **22** provided, then tighten all the screws securely.



## ELECTRICAL CONNECTION

- Connect the Hood to the Mains power supply, inserting a two-pole Switch with a contact aperture of at least 3 mm.
- Remove the Metal grease filters (see par. on “Maintenance”) and make sure that the power supply Cable is properly inserted in the Suction fan socket.
- Take the wires indicated in fig.1 and pass them through the slot formed on the galvanized diffuser support, as shown in fig.2.



1

2

- Position the finishing plug 27 over the housing in the diffuser support, fixing it using a screw 12e (2.9 x 9.5) and applying the 2 cable clamp elements 26 as indicated in figs. 3 and 4.



4

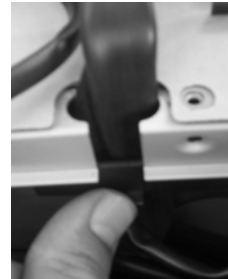


3

- Connect the Controls Connector fig. 5.
- Connect the Lighting Connector fig. 6.
- Store both the Connectors in the Protective box 24 and close it with 2 Screws 12e (2.9 x 9.5), provided.



6



5

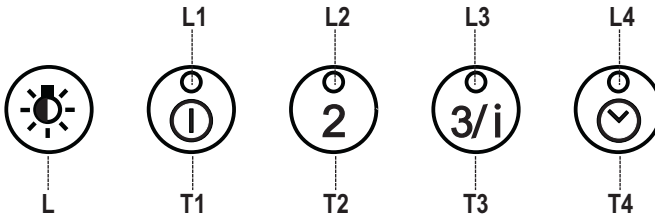
- Remove the protective film from the double-sided adhesive on the connection box, and fix it inside the motor compartment fig. 7.



7



# USE



## Control panel

Button	Function	Led
<b>L</b>	Turns the lighting system on and off.	-
	Press and hold for approx. 2 seconds to turn the lighting system on and off at reduced intensity.	-
<b>T1</b>	Turn the suction motor on and off at speed one.	On.
	Press and hold the button for approximately 2 seconds, with all the loads turned off (Motor and Lights), to reset the Filters and turn off the Leds that are lit.	After 100 working hours all the LEDs (L1-L2-L3-L4) will light up and remain lit to indicate saturation of the metal grease filters. After 200 working hours all the LEDs (L1-L2-L3-L4) will light up and start to flash to indicate saturation of the activated charcoal filters.
<b>T2</b>	Turn the suction motor on at speed two.	On.
	Press and hold for approximately 5 seconds, with all the loads turned off (Motor and Lights), to enable/disable the Remote control.	2 flashes, Remote control Enabled. 1 flash, Remote control Disabled.
<b>T3</b>	Turn the suction motor on at speed three.	On.
	Press and hold the button for 2 seconds to activate intensive speed. This speed is timed to run for 10 minutes. At the end of this time the system will automatically return to the speed set before.	
<b>T4</b>	Press and hold the button for approximately 2 seconds to activate automatic shutdown with a 30' delay (Motor+Lights).	On.
	Press and hold for approximately 5 seconds to enable/disable the Activated Charcoal Filter alarm.	2 Flashes of the Leds (L1-L2-L3) Filter Alarm Enabled. 1 Flash of the Leds (L1-L2-L3) Filter Alarm Disabled.

# MAINTENANCE

---

## Metal grease filters

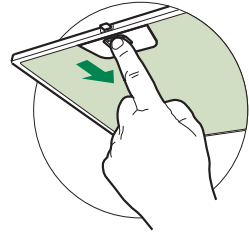
These can also be washed in the dishwasher, and need to be cleaned when all the command LEDs light up in a continuous manner or at least once every 2 months use, or more frequently if use is particularly intensive.

### Resetting the alarm signal

- Press button **T1** (see the paragraph on Use).

### Cleaning the Filters

- Remove the Filters one at a time, pushing them towards the back of the unit and at the same time pulling downward.
- Wash the Filters without bending them, and leave them to dry completely before replacing.
- Replace, taking care to ensure that the handle faces forwards.



## Activated Charcoal Filter (Recirculation Version)

- This cannot be washed or regenerated, and must be changed when all the command LEDs start to flash, or at least once every 4 months.

### Activating the alarm signal

- In Recirculation Version Hoods, the Filter Saturation Alarm must be activated on installation or at a later date.
- Press and hold the **Delay** button (**T4**) on the keypad for **5 seconds** and the following will be displayed:
  - Leds (L1-L2-L3) flash twice – Activated Charcoal Filter saturation alarm **ACTIVATED**.
  - Leds (L1-L2-L3) flash once – Activated Charcoal Filter saturation alarm **DEACTIVATED**.

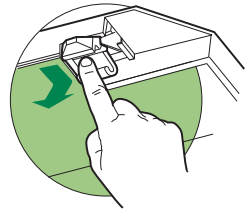
### CHANGING THE ACTIVATED CHARCOAL FILTER

#### Resetting the alarm signal

- Press button **T1** (see the paragraph on Use).

#### Changing the Filter

- Remove the Metal grease filters.
- Remove the saturated Activated Charcoal filter, as shown in the figure.
- Fit the new Filter, hooking it into place.
- Replace the Metal grease filters.

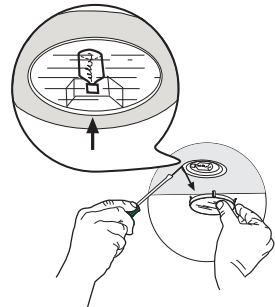


## Lighting

### LIGHT REPLACEMENT

#### 20 W halogen light.

- Remove the snap-on lamp cover by levering it from under the metal ring, supporting it with one hand.
- Remove the halogen lamp from the lamp holder by pulling gently.
- Replace the lamp with a new one of the same type, making sure that you insert the two pins properly into the housings on the lamp holder.
- Replace the snap-on lamp cover.









CE