



# HOUSEHOLD REFRIGERATOR

## Models:

FF1091WIM	LRF101WIM
FF1093SSIM	LRF103SIM
FF1293SSIM	LRF129SIM

## *User Manual*

**BEFORE USE, PLEASE READ AND FOLLOW ALL SAFETY RULES AND OPERATING INSTRUCTIONS.**

*Write Model and Serial Nos. (on lower left corner of inside cabinet) here:*

Model No.: \_\_\_\_\_

Serial No.: \_\_\_\_\_

**Felix Storch, Inc.**  
An ISO 9001:2015 registered company  
770 Garrison Ave  
Bronx, New York 10474  
[www.summitappliance.com](http://www.summitappliance.com)

# TABLE OF CONTENTS

<b>Equipment Safety</b>	<b>3</b>
<b>Important Safeguards</b>	<b>3-4</b>
<b>Installation Instructions</b>	<b>6-9</b>
<i>Before Using your Appliance</i>	6
<i>Installing your Appliance</i>	6
<i>Electrical Connection</i>	6
<i>Connecting the Water Line</i>	7
<i>Reversing the Door Swing</i>	8-9
<b>Operating your Appliance</b>	<b>10</b>
<i>Setting the Refrigerator Temperature</i>	10
<i>Setting the Freezer Temperature</i>	10
<i>Using the Ice Maker</i>	10
<i>Defrosting</i>	10
<b>Care and Maintenance</b>	<b>11</b>
<i>Cleaning your Appliance</i>	11
<i>Power Failure</i>	11
<i>Vacations</i>	11
<b>Troubleshooting</b>	<b>12</b>
<b>Limited Warranty</b>	<b>14</b>

# EQUIPMENT SAFETY

**Your safety and the safety of others are very important.**

We have provided many important safety messages in this manual and on your unit. Always read and obey all safety messages.



This is the Safety Alert Symbol. The symbol alerts you to potential hazards that can kill or injure you and others. All safety messages will follow the Safety Alert Symbol and either the words "DANGER" or "WARNING".



DANGER means that failure to heed this safety statement may result in severe personal injury or death.



WARNING means that failure to heed this safety statement may result in extensive product damage, serious personal injury, or death.

All safety messages will alert you about the potential hazard, tell you how to reduce the chance of injury, and let you know what can happen if the instructions are not followed.

---

## IMPORTANT SAFEGUARDS



Before the equipment is used, it must be properly positioned and installed as described in this manual, so read the manual carefully. To reduce the risk of fire, electrical shock or injury when using this equipment, follow basic precautions, including the following:



- Plug into a grounded 3-prong outlet, do not remove grounding prong, do not use an adapter, and do not use an extension cord.
- Replace all panels before operating.
- It is recommended that a separate circuit serving only your unit be provided. Use receptacles that cannot be turned off by a switch or pull chain.
- Never clean the equipment parts with flammable fluids. These fumes can create a fire hazard or explosion. And do not store or use gasoline or other flammable vapors and liquids in the vicinity of this or any other pieces of equipment. The fumes can create a fire hazard or explosion.
- Before proceeding with cleaning and maintenance operations, make sure the power line of the unit is disconnected.
- Do not connect or disconnect the electric plug when your hands are wet.
- Unplug the unit or disconnect power before cleaning or servicing. Failure to do so can result in electrical shock or death.
- Do not attempt to repair or replace any part of your unit unless it is specifically recommended in this manual. All other servicing should be referred to a qualified technician.
- This unit is CFC- and HFC-free and contains a small quantity of Isobutane (R600a), which is environmentally friendly but flammable. It does not damage the ozone layer, nor does it increase the greenhouse effect. care must be taken during transportation and setting up of the unit that no parts of the cooling system are damaged. leaking coolant can ignite and may damage the eyes.

- In the event of any damage:
  - Avoid open flames and anything that creates a spark,
  - Disconnect from the electrical power line,
  - Air the room in which the unit isolated for several minutes, and
  - Contact the Service Department for advice.
- The more coolant there is in a unit, the larger the room it should be installed in. In the event of a leakage, if the unit is in a small room, there is the danger of combustible gases building up. For every ounce of coolant, at least 325 cubic feet of room space is required. The amount of coolant in the unit is stated on the data plate inside the unit. It is hazardous for anyone other than an Authorized Service Person to carry out servicing or repairs to this piece of equipment.
- Take serious care when handling, moving, and using the unit to avoid either damaging the refrigerant tubing or increasing the risk of a leak.
- Replacing component parts and servicing shall be done by factory authorized service personnel so as to minimize the risk of possible ignition due to incorrect parts or improper service.

• FOLLOW WARNING



CALLOUTS BELOW ONLY

WHEN APPLICABLE TO YOUR MODEL

- Use two or more people to move and install **unit**. Failure to do so can result in back or other injury.
- To ensure proper ventilation for your **unit**, the front of the unit must be completely unobstructed. Choose a well-ventilated area with temperatures above 60°F (16°C) and below 90°F (32°C). [For optimal performance, install the unit where the ambient temperature is between 72° and 78°F (23°-26°C).] This unit must be installed in an area protected from the elements, such as wind, rain, water spray or drips.
- The unit should not be located next to ovens, grills or other sources of high heat.
- The unit must be installed with all electrical, water and drain connections in accordance with state and local codes. A standard electrical supply (115 V AC only, 60 Hz), properly grounded in accordance with the National Electrical Code and local codes and ordinances, is required.
- Do not kink or pinch the power supply cord of the unit.
- The size of the fuse (or circuit breaker) should be 15 amperes.
- It is important that the equipment be leveled in order to work properly. You may need to make several adjustments to level it.
- All installations must be in accordance with local plumbing code requirements.
- Make certain that the pipes are not pinched, kinked or damaged during installation.
- Check for leaks after connection.
- Never allow children to operate, play with or crawl inside the unit.
- Do not use solvent-based cleaning agents or abrasives on the interior. These cleaners may damage or discolor the interior.
- Use this equipment only for its intended purpose as described in this *Instruction Manual*.
- Keep fingers out of the “pinch point” areas. Clearances between the door and cabinet are necessarily small. Be careful closing the door when children are in the area.



***Risk of child entrapment!***

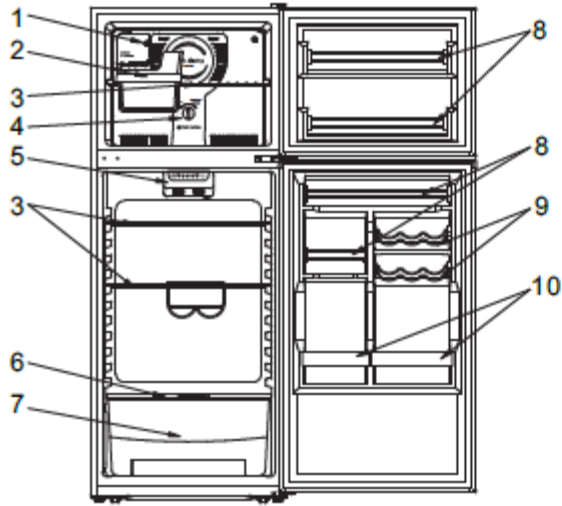
Child entrapment and suffocation are not problems of the past. Junked or abandoned appliances are still dangerous, even if they will “just sit in the garage a few days.”

*Before discarding your old refrigerator:*

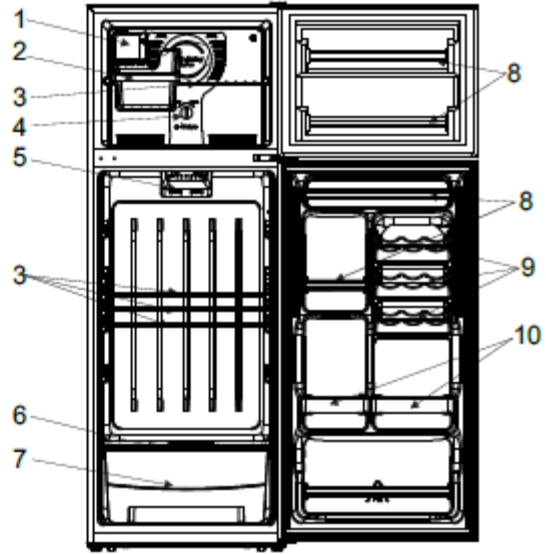
- *Take off the doors*
- *Leave the shelves in place so that children may not easily climb inside*

**- SAVE THESE INSTRUCTIONS -**

# LOCATION OF PARTS



FF1091WIM/LRF101WIM  
FF1093SSIM/LRF103SIM



FF1293SSIM/LRF129SIM

- |                                  |                   |
|----------------------------------|-------------------|
| 1. Ice maker (on some models)    | 6. Crisper cover  |
| 2. Ice bucket (on some models)   | 7. Crisper drawer |
| 3. Shelves                       | 8. Door rack      |
| 4. Freezer control               | 9. Can rack       |
| 5. Lamp and Refrigerator control | 10. Door shelves  |

**NOTE:** The refrigerator you purchased may differ slightly with the model depicted in this manual. However, the functions and operating methods will not change.

# INSTALLATION INSTRUCTIONS

## Before Using Your Appliance

- Remove the exterior and interior packing.
- Before connecting the freezer to the power source, let it stand upright for approximately 2 hours. This will reduce the possibility of a malfunction in the cooling system from handling during transportation.
- Clean the interior surface with lukewarm water using a soft cloth.

## Installing Your Appliance

- This appliance is designed to be free standing only, and should not be recessed or built-in.
- Place your freezer on a surface that is strong enough to support it when it is fully loaded. To level your appliance, adjust the leveling leg at the bottom of the freezer.
- Allow about 4" (10cm) of space at the back and sides of the appliance and 4" at the top. This will allow proper air circulation to cool the compressor.
- Locate the appliance away from direct sunlight and sources of heat (oven, heater, radiator, etc.). Direct sunlight may affect the acrylic coating and heat sources may increase electrical consumption. Extremely cold ambient temperatures may also cause the freezer not to perform properly.
- Avoid locating the appliance in moist areas.
- Plug the appliance into an exclusive, properly installed and grounded wall outlet. Do not under any circumstances cut or remove the third (ground) prong from the power cord. Any questions concerning power and/or grounding should be directed toward a certified electrician or an authorized service center.
- After plugging the appliance into a wall outlet, allow the unit to cool down for 2-3 hours before placing items inside the cabinet.

## Electrical Connection

### **⚡Warning⚡**

Improper use of the grounded plug can result in the risk of electrical shock. If the power cord is damaged, have it replaced by an authorized service center.

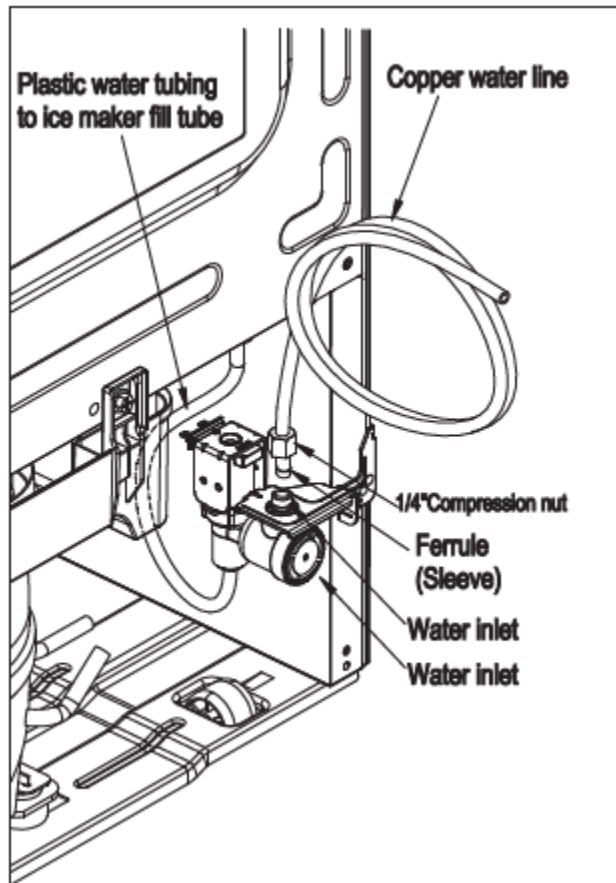
- This appliance should be properly grounded for your safety. The power cord is equipped with a three-pin plug that mates with standard three-prong wall outlets to minimize the possibility of electrical shock.
- Do not under any circumstances cut or remove the third ground prong from the power cord supplied.
- This freezer requires a standard 115Volts AC ~ 60Hz electrical outlet with three-prong grounded receptacle.
- To prevent accidental injury, the cord should be secured behind the appliance and not left exposed or dangling.
- Never unplug the freezer by pulling the power cord. Always grip the plug firmly and pull straight out from the receptacle.
- Do not use an extension cord with this appliance. If the power cord is too short, have a qualified electrician or service technician install an outlet near the appliance.

## Connecting the Water Line

- Connecting your unit to a water line will require:
  - Adjustable flat wrench
  - Flat head screwdriver
  - Phillips head screwdriver
  - Shutoff valve (DO NOT use a self-piercing shutoff valve)
  - Compression nut and ferrule (sleeve)
- You will also require access to a household cold water line with water pressure between 20 and 120psi.
- A 1/4" (6.4mm) water supply line, made of copper tubing, is preferred. To determine the length of the copper tubing, measure the distance from the ice maker inlet valve at the back of the refrigerator to your cold-water pipe. Then, add approximately 7' (2.1 meters), to allow for the refrigerator to be moved when cleaning.

**NOTE:** Before connecting the water line to the unit, be sure the unit is not connected to a power source.

1. Place the end of the water supply line into a sink or bucket. Turn the water supply ON and flush supply line until the water is clear.
2. Turn the water supply OFF at shut off valve.
3. Remove the plastic flexible cap from the water valve inlet.
4. Place the compression nut and ferrule(sleeve) onto the end of the tubing.
5. Insert the end of the copper tubing into the connection as far as possible. While holding the tubing, tighten the fitting.
6. Turn the water supply ON at shutoff valve, and tighten any connections that leak.



## Reversing the Door Swing

**NOTE:** For safety, it is recommended at least two people are present when reversing the direction of the door swing.

You may choose to open your unit from the right or the left side. To reverse the direction of your door opening, follow the steps below.

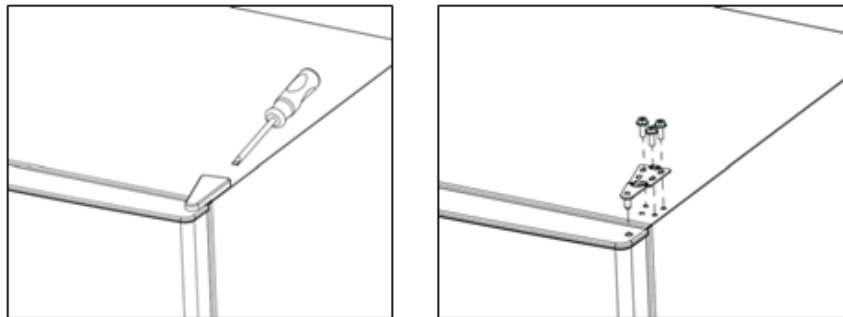
**CAUTION:** Before reversing the direction of the door swing, disconnect the unit from the power source.

In addition to the accessories packed with the unit, you will need:

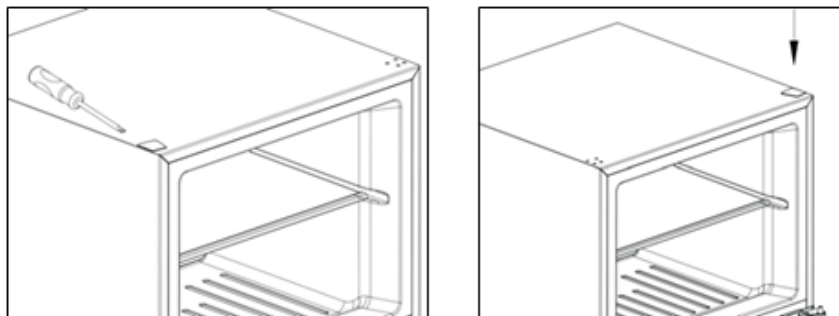
- Medium-sized Phillips head screwdriver
- Small, flathead screwdriver

1. Remove the hinge cover with a Phillips head screwdriver, approaching the cover from the back. Save the hinge covers.
2. Remove the three hinge screws, and save them for later use.
3. Push the top hinge forward, carefully remove the door, and set aside.

**NOTE:** Set the upper door on a soft cloth to prevent any scratching or damage when not installed on the unit.

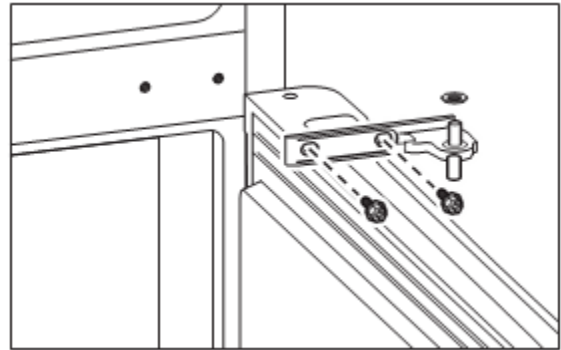


4. Pry the screw cover cap off of the opposite side of the door hinge to uncover the screw hinge holes.
5. Replace the screw cover cap to cover the holes created by removing the door hinge. This will require some force.

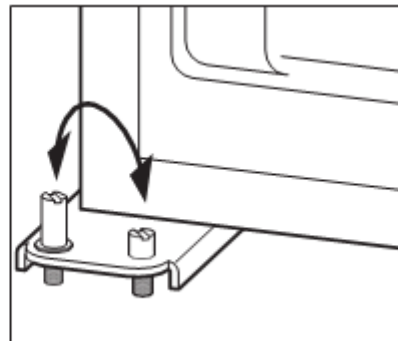
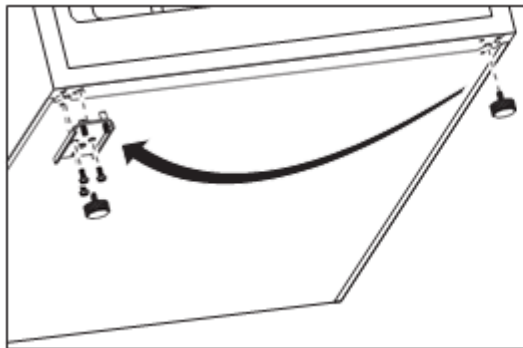


6. Open the bottom door.
7. Remove the two screws from the middle hinge, and save these screws.
8. Remove the middle hinge.
9. Lift the bottom door off of the lower hinge, and set it aside.

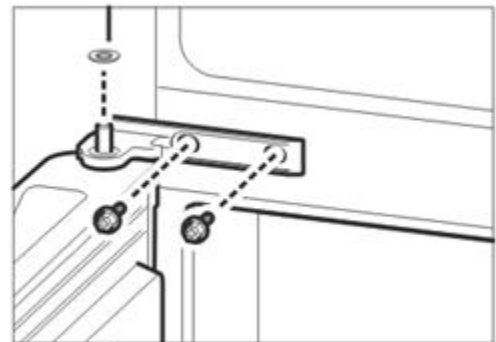
**NOTE:** Set the lower door on a soft cloth to prevent any scratching or damage when not installed on the unit.



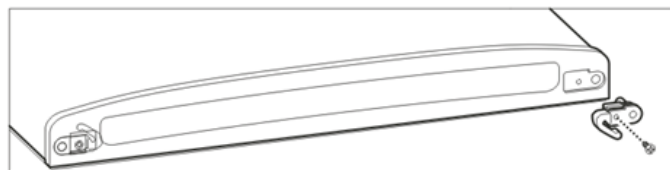
10. Pry the screw cover caps off of the opposite screw holes, and replace them into the holes created by removing the middle door hinge. This will require some force.
11. Carefully tip the unit backward slightly. Remove the two front feet, and then remove the bottom hinge.
12. Move the bottom hinge to the opposite side of the unit, then reinstall the front feet.
13. Flip the two bottom hinge bolts.



14. Remove the fixed plate hinge from the bottom of the door, and reinstall it on the opposite side.
15. Set the bottom door onto the outside bolts of the lower hinge.
16. Holding the bottom door, flip the middle hinge and attach it onto the bottom door. Secure it with screws.



17. Remove the door closer from the bottom of the upper door, and reattach it to the opposite side.
18. Set the upper door onto the middle hinge.
19. Holding the upper door closed, attach the upper hinge to the top of the upper door and cabinet, securing it with screws.



20. Install the hinge cover.

# OPERATING YOUR APPLIANCE

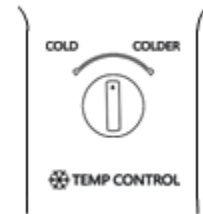
## Setting the Refrigerator Temperature



- The temperature of refrigerator can be controlled manually. However, the number shown on the display does not directly represent the temperature. The larger the set number, the lower the interior temperature will be.
- Initially set the refrigerator control on the middle setting (number 3). Press the SET button to increase the set number. The set number will increase by one setting each time it is pressed and will cycle 1 through 5.

## Setting the Freezer Temperature

The freezer uses a dial thermostat to set the temperature. It will not show an exact temperature. Turning the dial to the right (COLDER) will yield the coldest temperature, and turning the dial to the left (COLD) will a less cold temperature.



## Using the Ice Maker

Ice will start being produced between 12 and 24 hours after turning on your unit.

**NOTE:** Throw away the first batch of ice

The ice maker produces approximately 3 ½ pounds of ice per day, depending on the temperature of the freezer, how often the freezer door is opened, and how many items are being stored in the cabinet.

- Press the power button and hold for two seconds to turn the ice maker on or off.
- Make sure nothing interferes with or blocks the sensor on the ice maker.
- It is normal for some ice to get stuck. Carefully remove any stuck ice cubes. If not removed, old ice can become opaque in color, and possibly pick up a strange flavor.

## Defrosting

Your unit is equipped with an automatic defrost feature, which will be performed during normal operation. The defrost water flows into the vaporization plate and will be vaporized by the heat of the compressor. Make sure the unit's drain tube is cleaned regularly.

**CAUTION:** Do not use mechanical devices or other means to accelerate the defrosting process.

# CARE AND MAINTENANCE

**NOTE:** Be sure to unplug your unit before performing any cleaning or maintenance to prevent the risk of electric shock.

## Cleaning your Appliance

*CAUTION: Cleansers such as soap powder, abrasive cleaning powder, alkali cleansers, chemical cloth, thinner, alcohol, acid petroleum product and hot water should NOT be used for cleaning, as they may damage the appliance.*

### To Clean the Interior:

1. Unplug the unit and remove the food, shelves and crisper.
2. Wash the inside surfaces with a solution of warm water and baking soda. The solution should contain about 2 tablespoons of baking soda to a quart of water. Rinse and dry thoroughly with a clean soft cloth.
3. Wash the shelves and crisper with a mild detergent solution. Rinse and dry.
4. Wash the outside cabinet with warm water and mild liquid detergent. Rinse well and wipe dry with a clean soft cloth.
5. Wring excess water out of the sponge or cloth before cleaning the area of the controls, or any electrical parts.

### To Clean the Exterior:

Wipe any accumulated dust with a dry cloth. If necessary, spray warm water onto a clean cloth instead of spraying directly onto the surface of the appliance. This helps ensure an even distribution of moisture to the surface.

**NOTE:** Do not use sharp objects to clean, as it may scratch or damage the exterior.

### Cleaning the Door Gasket

It is important to regularly clean the door gaskets to prevent them from becoming soiled with oils, sauces or similar impediments, which may prevent a good seal when the doors are closed.

## Power Failure

In the event of a power failure, your appliance can store food for several hours.

- Do not put additional items in the appliance
- Reduce the frequency of door openings.

## Vacations

- **Short vacations:** Leave the freezer operating during vacations of less than three weeks, but be sure to remove any foods which may rot during this time.
- **Long vacations:** If the appliance will not be used for several months, remove all food and unplug the power cord. Clean and dry the interior thoroughly. To prevent odor and mold growth, leave the door open slightly, blocking it open if necessary, or have the door removed. Use extreme caution in the case of children. The unit should not be accessible to children at play.

# TROUBLESHOOTING

You can solve many common freezer problems easily, saving you the cost of a possible service call. Try the suggestions below to see if you can solve the problem before calling the service agent.

PROBLEM	POSSIBLE SOLUTION
The appliance does not work	It may not be connected to the power supply. Voltage is too low.
The appliance does not work efficiently as expected	It may be caused by heavy frost, or by a warm temperature setting, or by frequently opening and closing the door.
The appliance makes an unusual noise.	It may be caused by an imbalance or loose ground locating the appliance, or by resonance between the appliance and other ambient objects.
The compressor keeps working for a long period of time.	The environment temperature may be too high. The doors may be opened frequently or even they are left open. The temperature control knob setting in (4-5) state may increase the working time of compressor.
There is a noticeable odor	Food with strong odor should be packed tightly before being put inside the appliance. Please check whether there is any deteriorated item or whether the liners are left dirty for a long time.
Water leaks from the bottom of the appliance	The drain tube is jammed. Please use a proper tool to solve it.
Heavy frost occurs on the rear of the appliance	Putting humid or hot food into the appliance may cause this problem. Or it may be caused by the heavy environment moisture.
The ice maker is not producing ice or it is not producing enough ice.	If it is new installation, wait 12 to 24 hours after icemaker installation for ice production to begin. It will take 72 hours for full ice production. Check if the appliance is connected to a water supply or if the supply shut off valve is turned on. Reverse osmosis filtration systems can reduce the water pressure below the minimum amount and result in icemaker issues. A kink in the water line can reduce water flow. Straighten the water source line. Confirm the ice maker is in the ON position. The recommended temperature for the freezer compartment for normal ice production is 0°F. If the freezer temperature is warmer, ice production will be affected. If the doors are not properly closed, ice production will be affected.

If you've checked the table above and find that you still need help with your appliance, call our Customer Service facility at **800-932-4267** between 9:00AM and 5:00PM ET. We will do our best to answer your questions.



# NOTES



# LIMITED WARRANTY

## ONE-YEAR LIMITED WARRANTY

Within the 48 contiguous United States, for one year from the date of purchase, when this appliance is operated and maintained according to instructions attached to or furnished with the product, warrantor will pay for factory-specified parts and repair labor to correct defects in materials or workmanship. Service must be provided by a designated service company. Outside the 48 states, all parts are warranted for one year from manufacturing defects. Plastic parts, shelves and cabinets are warranted to be manufactured to commercially acceptable standards, and are not covered from damage during handling or breakage.

## 5-YEAR COMPRESSOR WARRANTY

1. The compressor is covered for 5 years.
2. Replacement does not include labor.

### **ITEMS WARRANTOR WILL NOT PAY FOR:**

1. Service calls to correct the installation of your appliance, to instruct you how to use your appliance, to replace or repair fuses or to correct wiring or plumbing.
2. Service calls to repair or replace appliance light bulbs or broken shelves. Consumable parts (such as filters) are excluded from warranty coverage.
3. Damage resulting from accident, alteration, misuse, abuse, fire, flood, acts of God, improper installation, installation not in accordance with electrical or plumbing codes, or use of products not approved by warrantor.
4. Replacement parts or repair labor costs for units operated outside the United States.
5. Repairs to parts or systems resulting from unauthorized modifications made to the appliance.
6. The removal and reinstallation of your appliance if it is installed in an inaccessible location or is not installed in accordance with published installation instructions.

## DISCLAIMER OF IMPLIED WARRANTIES - LIMITATION OF REMEDIES

CUSTOMER'S SOLE AND EXCLUSIVE REMEDY UNDER THIS LIMITED WARRANTY SHALL BE PRODUCT REPAIR AS PROVIDED HEREIN. IMPLIED WARRANTIES, INCLUDING WARRANTIES OF MERCHANTABILITY OR FITNESS FOR A PARTICULAR PURPOSE, ARE LIMITED TO ONE YEAR. WARRANTOR SHALL NOT BE LIABLE FOR INCIDENTAL OR CONSEQUENTIAL DAMAGES. SOME STATES DO NOT ALLOW THE EXCLUSION OR LIMITATION OF INCIDENTAL OR CONSEQUENTIAL DAMAGES, OR LIMITATIONS ON THE DURATION OF IMPLIED WARRANTIES OF MERCHANTABILITY OR FITNESS, SO THESE EXCLUSIONS OR LIMITATIONS MAY NOT APPLY TO YOU. THIS WARRANTY GIVES YOU SPECIFIC LEGAL RIGHTS AND YOU MAY ALSO HAVE OTHER RIGHTS, WHICH VARY FROM STATE TO STATE.



**WARNING: This product can expose you to chemicals including Nickel (Metallic) which is known to the State of California to cause cancer.**

For more information go to [www.P65Warnings.ca.gov](http://www.P65Warnings.ca.gov)

Note: Nickel is a component in all stainless steel and some other metal compositions.

Felix Storch, Inc.  
Summit Appliance Division  
An ISO 9001:2015 registered company  
770 Garrison Avenue  
Bronx, NY 10474  
[www.summitappliance.com](http://www.summitappliance.com)

# SUMMIT®

For parts and accessory ordering,  
troubleshooting and helpful hints, visit:  
[www.summitappliance.com/support](http://www.summitappliance.com/support)