

Fhiaba

—
Guida di installazione

—
Installation Guide

1 IMPORTANT INSTRUCTIONS	42
1.1 Important safety instructions.....	42
1.2 Children safety.....	42
2 TECHNICAL REQUIREMENTS	42
2.1 Appliance features and installation requirements.....	42
2.2 Installation niche features: Integrated Series - 1T - 0T - 0H Models.....	44
2.3 Installation niche features: Integrated Series - 0F Column Models.....	45
2.4 Installation niche features: Classic Series - 1T - 0T - 0H Models.....	46
2.5 Installation niche features: Classic Series - 0F Column Models.....	47
2.7 Installation niche features: X-Pro Series.....	49
2.8 Installation niche features: X-Pro Series - 0F Column Models.....	50
2.9 Installation niche features: Country Series.....	51
2.10 Installation niche features: Brilliance-Integrated Series.....	52
2.11 Installation niche features: Brilliance-Classic Series.....	53
3 PREPARING TO INSTALL	54
3.1 Transport to installation site and unpacking.....	54
3.2 Electrical and Water connection.....	54
3.3 Levelling.....	55
4 PANELS MOUNTING	56
4.1 Decorative door and Bottom-Drawer panels layout.....	56
4.2 Decorative panels layout for Fridge with one Bottom-Drawer (1T/0T).....	59
4.3 Decorative panels layout for Fridge with two Bottom-Drawers (0H).....	59
4.4 Decorative panels layout for Fridge with Glass door and one Bottom-Drawer (1T/0T).....	60
4.5 Decorative panels layout for Fridge with Glass door Brilliance.....	61
4.6 Decorative panels layout for Fridge with Glass door and two Bottom-Drawers (0H).....	62
4.7 Decorative panels layout for Fridge Column (0F).....	63
4.8 Decorative panels layout for Fridge column with glass door (0F).....	64
4.9 Panels Dimensions One Bottom - Drawer (1T/0T models).....	65
4.10 Panels Dimensions Two Bottom - Drawers (0H models).....	66
4.11 Panels Dimensions Column model (0F models).....	67
4.12 Mounting the handles.....	68
4.13 Mounting panels to the door and the drawer.....	68
5 INSTALLATION	70
5.1 Built-in installation of single appliance.....	70
5.2 Built-in installation of two or more appliances.....	70
5.3 Free-standing installation two or more appliances.....	72
5.4 Maximum cabinet depth over "Integrated" refrigerator with single door panel.....	73
6 COMPLETING THE INSTALLATION	74
6.1 Anti-tipping safety assembly.....	74
6.2 Mounting the handles on stainless front.....	74
6.3 Ventilation.....	75
6.4 Post installation control.....	76
6.5 Start Up.....	76



1. IMPORTANT INSTRUCTIONS

1.1 Important safely instruction

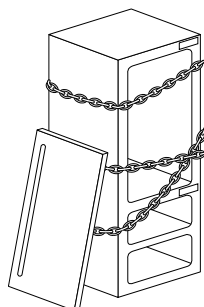
Symbols used in the Guide:

 **Note**
Tips for the correct use of the appliance

 **Important**
Directions to avoid appliance damage

 **Warning**
directions to prevent injury

1.2 Children safety



If this appliance is replacing an existing appliance which must be removed or disposed of, make sure that it does not become a dangerous trap for children by cutting its power supply cable and rendering it impossible to close the door.

Use the same caution at the end of the lifespan of the new appliance.

 **Important!**
Dimensions in parentheses are in inches.

Weights in parentheses are in pounds.

Temperatures in parentheses are in Fahrenheit degrees.

2. TECHNICAL REQUIREMENTS

2.1 Appliance features and installation requirements

Appliance dimensions
Integrated

Series 449
w: 449 mm (17 5/8")
h: 2050 mm (80 3/4")
d: 615 mm (24 1/4") OF

Series 599
w: 599 mm (23 5/8")
h: 2050 mm (80 3/4")
d: 610 mm (24") 1T/0T/0H
d: 615 mm (24 1/4") OF

Series 749
w: 749 mm (29 1/2")
h: 2050 mm (80 3/4")
d: 610 mm (24") 1T/0T/0H
d: 615 mm (24 1/4") OF

Series 899
w: 899 mm (35 3/8")
h: 2050 mm (80 3/4")
d: 610 mm (24") 1T/0T/0H
d: 615 mm (24 1/4") OF

Appliance dimensions
Classic

Series 449
w: 449 mm (17 5/8")
h: 2050 mm (80 3/4")
d: 640 mm (25 1/4") OF

Series 599
w: 599 mm (23 5/8")
h: 2050 mm (80 3/4")
d: 635 mm (25") 1T/0T/0H
d: 640 mm (25 1/4") OF

Series 749
w: 749 mm (29 1/2")
h: 2050 mm (80 3/4")
d: 635 mm (25") 1T/0T/0H
d: 640 mm (25 1/4") OF

Series 899
w: 899 mm (35 3/8")
h: 2050 mm (80 3/4")
d: 635 mm (25") 1T/0T/0H
d: 640 mm (25 1/4") OF

Appliance dimensions
X-Pro / Country

Series 449
w: 449 mm (17 5/8")
h: 2120 mm (83 1/2")
d: 640 mm (25 1/4") OF

Series 599
w: 599 mm (23 5/8")
h: 2120 mm (83 1/2")
d: 635 mm (25") 1T/0T/0H
d: 640 mm (25 1/4") OF

Series 749
w: 749 mm (29 1/2")
h: 2120 mm (83 1/2")
d: 635 mm (25") 1T/0T/0H
d: 640 mm (25 1/4") OF

Series 899
w: 899 mm (35 3/8")
h: 2120 mm (83 1/2")
d: 635 mm (25") 1T/0T/0H
d: 640 mm (25 1/4") OF

Appliance dimensions Brilliance -Integrated	<p>Series 599 w: 599 mm (23 5/8") h: 2050 mm (80 3/4") d: 610 mm (24")</p> <p>Series 749 w: 749 mm (29 1/2") h: 2050 mm (80 3/4") d: 610 mm (24")</p> <p>Series 899 w: 899 mm (35 3/8") h: 2050 mm (80 3/4") d: 610 mm (24")</p>	Weight with packaging	<p>Series 449 up to 170 kg (375 lb)</p> <p>Series 599 up to 200 kg (441 lb)</p> <p>Series 749 up to 220 kg (485 lb)</p> <p>Series 899 up to 240 kg (529 lb)</p>
Appliance dimensions Brilliance-Classic	<p>Series 599 w: 599 mm (23 5/8") h: 2050 mm (80 3/4") d: 635 mm (25")</p> <p>Series 749 w: 749 mm (29 1/2") h: 2050 mm (80 3/4") d: 635 mm (25")</p> <p>Series 899 w: 899 mm (35 3/8") h: 2050 mm (80 3/4") d: 635 mm (25")</p>	Voltage	<p>Europe Version: AC 220-240V 50 Hz</p> <p>North America Version: 110V 60Hz</p>
Appliance dimensions Integrated / Classic	<p>Series 449 w: 650 mm (25 5/8") h: 2210 mm (87") d: 800 mm (31 1/2")</p> <p>Series 599 w: 650 mm (25 5/8") h: 2210 mm (87") d: 800 mm (31 1/2")</p> <p>Series 749 w: 800 mm (31 1/2") h: 2210 mm (87") d: 800 mm (31 1/2")</p> <p>Series 899 w: 950 mm (37 3/8") h: 2210 mm (87") d: 800 mm (31 1/2")</p>	Power supply cable	<p>Europe Version: Schuko 16 A plug</p> <p>North America Version: 15 A</p>
Appliance dimensions X-Pro / Country /Brilliance	<p>Series 449 w: 650 mm (25 5/8") h: 2260 mm (89") d: 800 mm (31 1/2")</p> <p>Series 599 w: 650 mm (25 5/8") h: 2260 mm (89") d: 800 mm (31 1/2")</p> <p>Series 749 w: 800 mm (31 1/2") h: 2260 mm (89") d: 800 mm (31 1/2")</p> <p>Series 899 w: 950 mm (37 3/8") h: 2260 mm (89") d: 800 mm (31 1/2")</p>	Potable water supply pressure	from 0.05 MPa to 0.5 MPa (0.5 Bar - 5 Bar)
		Water supply tube	<ul style="list-style-type: none"> - n°2 fittings 3/4" to 1/4" - mt 5 of alimentary water tube 1/4" - n°3 90° fittings 1/4" - n°1 water filter support (provided only with 0FZ models)
		Provided installation accessories	<ul style="list-style-type: none"> - Customized panels mounting Kit - Anti-tipping Kit (B04000200) - Lateral connecting kit (KCLIT/KCLIH) - 4 mm (1/8") allen wrench
		Additional equipment necessary	<ul style="list-style-type: none"> - Phillips head screwdriver - wood and percussion drill - 2.5 mm (1/8") bit for wood - 8 mm (3/8") bit for walls - 17 mm (3/4") wrench

2. TECHNICAL REQUIREMENTS

2.2 Installation niche features: Integrated Series, 1T - 0T - 0H Models

A - area to be left clear for the anti-tipping brackets
E - area to be left clear for the power supply cable
W - and water supply hose

Minimum Niche Height

2064 mm (81 1/4")

STANDARD NICHE WIDTH	MINIMUM NICHE WIDTH WITH PORTAL
S899: 900 (35 1/2")	S899: 903 (35 3/8")
S749: 750 (29 5/8")	S749: 753 (29 3/4")
S599: 600 (23 3/4")	S599: 603 (23 7/8")

Minimum Niche Depth

650 mm (25 5/8")

Door Swing Clearance

S899: 1485 mm (58 1/2")

S749: 1335 mm (52 5/8")

S599: 1185 mm (46 5/8")

Door Opening Angle

105°

Width *

S899: 899 mm (35 3/8")

S749: 749 mm (29 1/2")

S599: 599 mm (23 5/8")

Height

2050 mm (80 3/4") + 25 mm (1")

Depth with door (without panel)

610 mm (24")

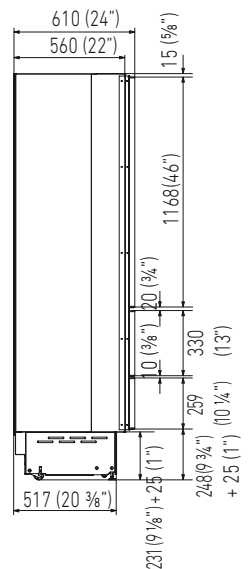
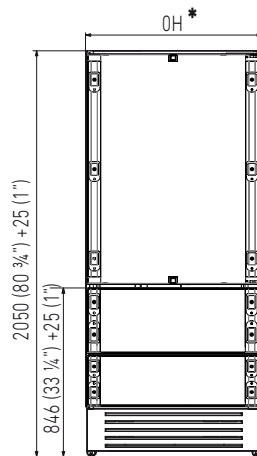
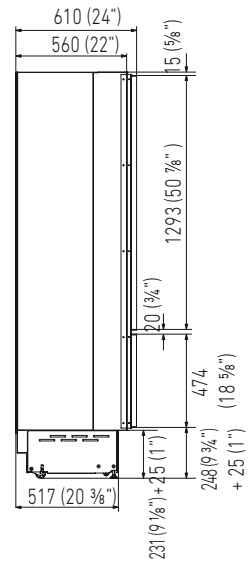
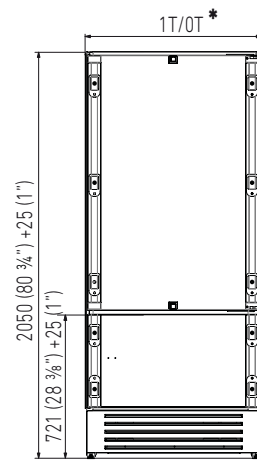
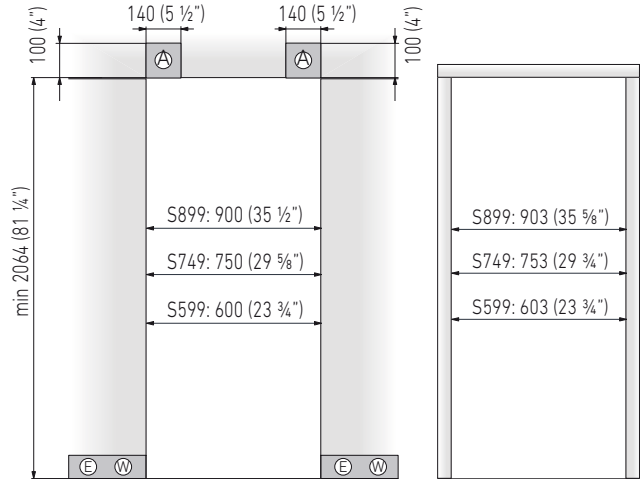
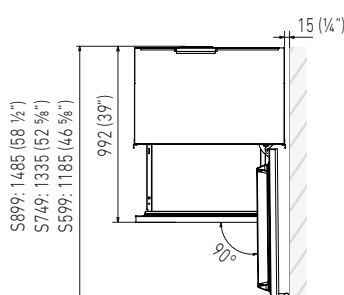
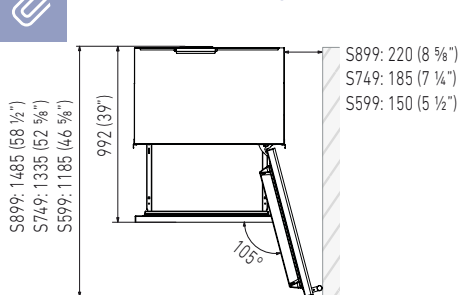
Minimum distance from the wall (hinge side) with door at 105° and 90°, with 18mm (3/4") panel and handle h=58mm (2 1/4").

S899: 220 mm (8 5/8")

S749: 185 mm (7 1/4")

S599: 150 mm (5 1/2")

 Dimensions in parentheses are in inches.



2.3 Installation niche features: Integrated Series, OF Column Models

A - area to be left clear for the anti-tipping brackets
E - area to be left clear for the power supply cable
W - and water supply hose

Minimum Niche Height

2064 mm (81 1/4")

STANDARD NICHE WIDTH	MINIMUM NICHE WIDTH WITH PORTAL
S899: 900 (35 1/2")	S899: 903 (35 3/8")
S749: 750 (29 5/8")	S749: 753 (29 3/4")
S599: 600 (23 3/4")	S599: 603 (23 7/8")
S449: 450 (17 3/4")	S449: 453 (17 7/8")

Minimum Niche Depth

650 mm (25 5/8")

Door Swing Clearance

S899: 1490 mm (58 5/8")
 S749: 1340 mm (52 3/4")
 S599: 1190 mm (46 7/8")
 S449: 1040 mm (40 7/8")

Door Opening Angle

105°

Width *

S899: 899 mm (35 3/8")
 S749: 749 mm (29 1/2")
 S599: 599 mm (23 5/8")
 S449: 449 mm (17 5/8")

Height

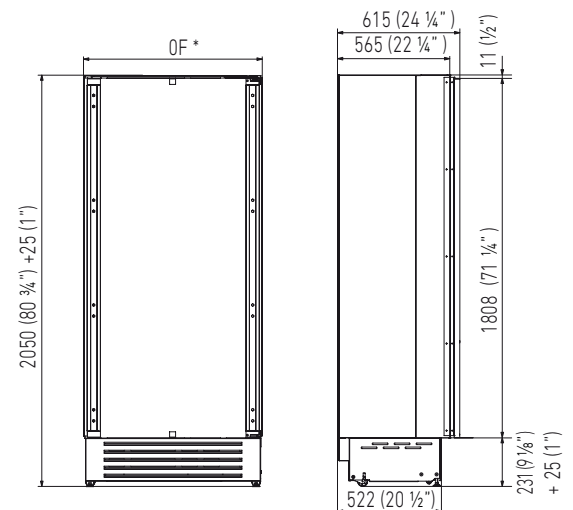
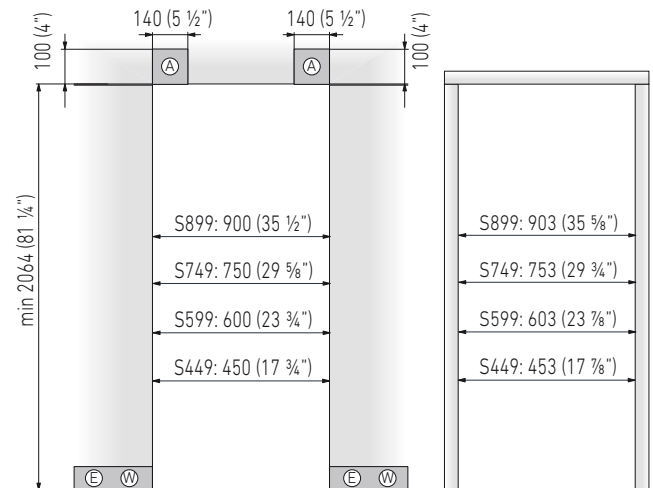
2050 mm (80 3/4") + 25 mm (1")

Depth with door (without panel)

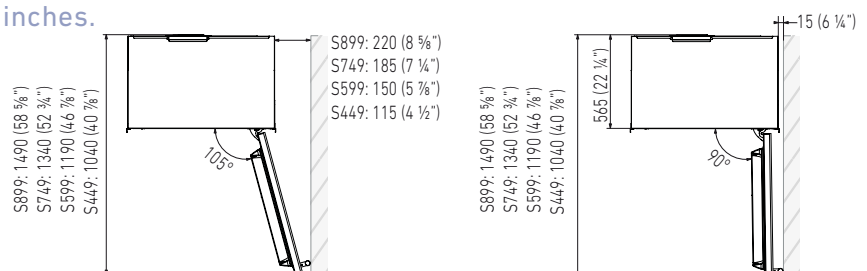
615 mm (24 1/4")

Minimum distance from the wall (hinge side) with door at 105° and 90°, with 18mm (3/4") panel and handle h=58mm (2 1/4").

S899: 160 mm (6 1/4")
 S749: 125 mm (5")
 S599: 90 mm (3 1/2")
 S449: 50 mm (1 7/8")



 Dimensions in parentheses are in inches.



2. TECHNICAL REQUIREMENTS

2.4 Installation niche features: Classic Series, 1T - 0T - 0H Models

A - area to be left clear for the anti-tipping brackets

E - area to be left clear for the power supply cable

W - and water supply hose

Minimum Niche Height

2064 mm (81 1/4")

Minimum Niche Width

KS899: 900 mm (35 1/2")

KS749: 750 mm (29 5/8")

KS599: 600 mm (23 3/4")

Minimum Niche Depth

650 mm (25 5/8")

Door Swing Clearance

KS899: 1475 mm (58 1/8")

KS749: 1325 mm (52 1/8")

KS599: 1175 mm (46 1/4")

Door Opening Angle

105°

Width *

KS899: 899 mm (35 3/8")

KS749: 749 mm (29 1/2")

KS599: 599 mm (23 5/8")

Height

2050 mm (80 3/4") + 25 mm (1")

Depth with door

635 mm (25")

Minimum distance from the wall (hinge side) with door at 105° and 90°.

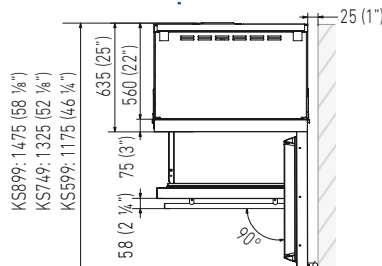
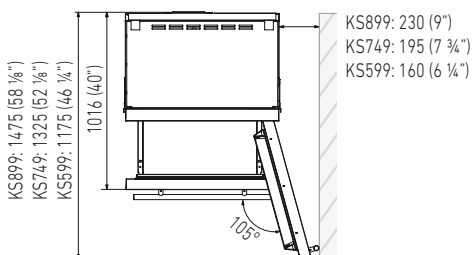
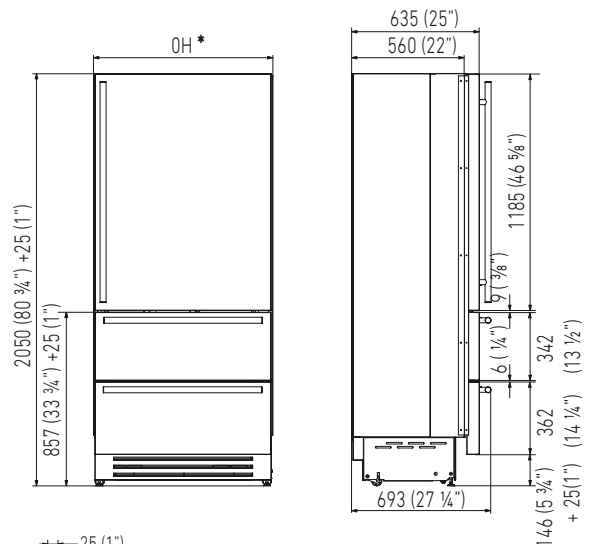
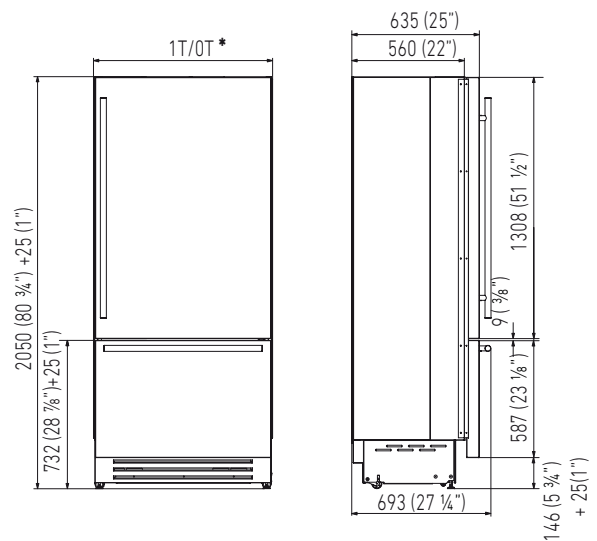
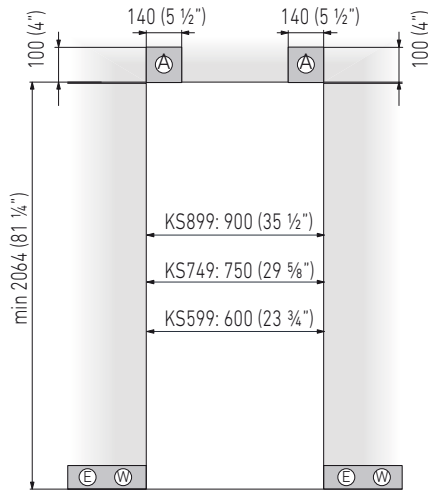
KS899: 230 mm (9")

KS749: 195 mm (7 3/4")

KS599: 160 mm (6 1/4")



Dimensions in parentheses are in inches.



2.5 Installation niche features: Classic Series, OF Column Models

A - area to be left clear for the anti-tipping brackets
E - area to be left clear for the power supply cable
W - and water supply hose

Minimum Niche Height

2064 mm (81 1/4")

Minimum Niche Width

KS899: 900 mm (35 1/2")
 KS749: 750 mm (29 5/8")
 KS599: 600 mm (23 3/4")
 KS449: 450 mm (17 3/4")

Minimum Niche Depth

650 mm (25 5/8")

Door Swing Clearance

KS899: 1480 mm (58 1/4")
 KS749: 1330 mm (52 3/8")
 KS599: 1180 mm (46 1/2")
 KS449: 1030 mm (40 1/2")

Door Opening Angle

105°

Width *

KS899: 899 mm (35 3/8")
 KS749: 749 mm (29 1/2")
 KS599: 599 mm (23 5/8")
 KS449: 449 mm (17 5/8")

Height

2050 mm (80 3/4") + 25 mm (1")

Depth with door

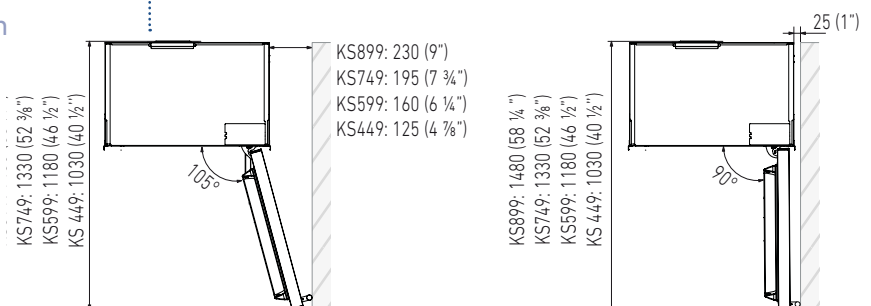
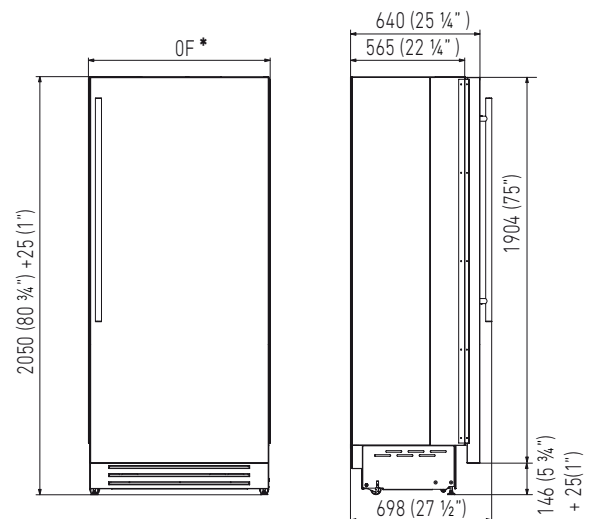
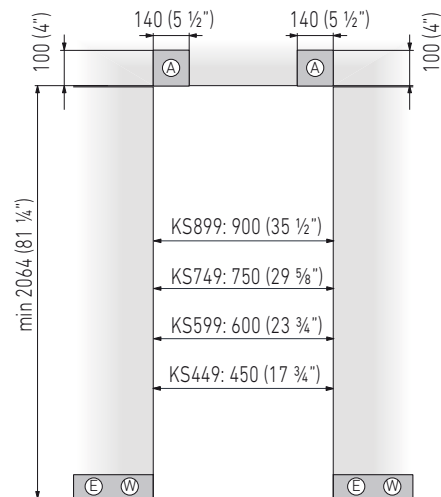
640 mm (25 1/4")

Minimum distance from the wall (hinge side) with door at 105° and 90°.

KS899: 230 mm (9")
 KS749: 195 mm (7 3/4")
 KS599: 160 mm (6 1/4")
 KS449: 125 mm (4 7/8")



Dimensions in parentheses are in inches.



2. TECHNICAL REQUIREMENTS

2.6 Installation niche features: X-Pro Series

A - area to be left clear for the anti-tipping brackets
E - area to be left clear for the power supply cable
W - and water supply hose

Minimum Niche Height
 2134 mm (84")

Minimum Niche Width
 XS899: 900 mm (35 1/2")
 XS749: 750 mm (29 5/8")
 XS599: 600 mm (23 3/4")

Door Swing Clearance
 XS899: 1475 mm (58 1/8")
 XS749: 1325 mm (52 1/8")
 XS599: 1175 mm (46 1/4")

Door Opening Angle
 105°

Width
 XS899: 899 mm (35 3/8")
 XS749: 749 mm (29 1/2")
 XS599: 599 mm (23 5/8")

Height
 2120 mm (83 1/2") + 25 mm (1")

Depth with door
 635 mm (25")

**Minimum distance from the wall (hinge side)
 with door at 105° and 90°.**
 XS899: 230 mm (9")
 XS749: 195 mm (7 3/4")
 XS599: 160 mm (6 1/4")

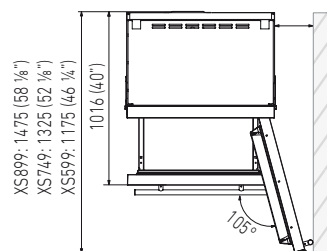


Important!

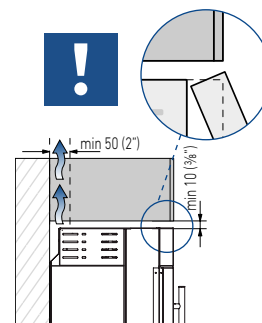
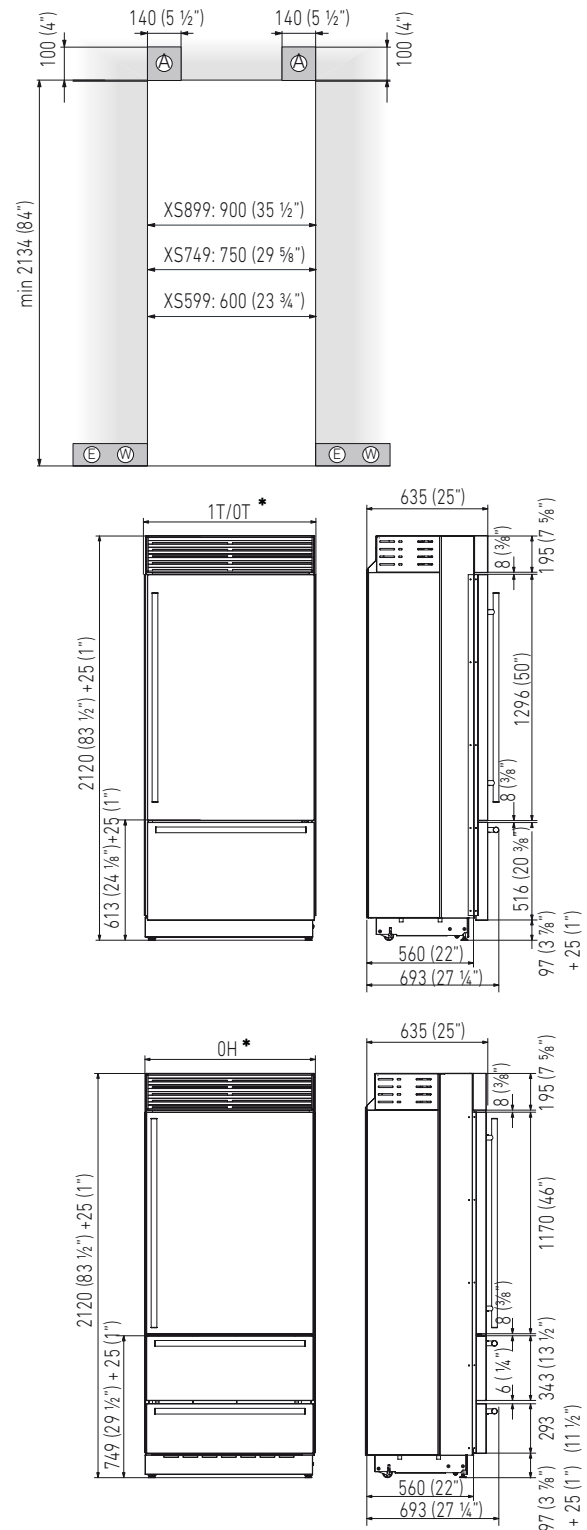
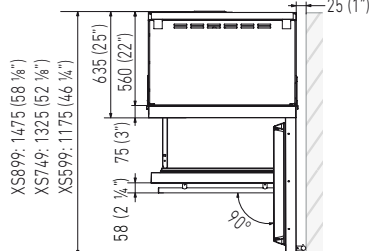
If the units are to be installed inside a niche or within an enclosed structure, it is necessary to design a ventilation shaft at the back of the niche to assure proper ventilation at the back of the unit.



Dimensions in parentheses are in inches.



XS899: 230 (9")
 XS749: 195 (7 3/4")
 XS599: 160 (6 1/4")



2.7 Installation niche features: X-Pro Series: - OF Column Models

A - area to be left clear for the anti-tipping brackets

E - area to be left clear for the power supply cable

W - and water supply hose

Minimum Niche Height

2134 mm (84")

Minimum Niche Width

XS899: 900 mm (35 1/2")

XS749: 750 mm (29 5/8")

XS599: 600 mm (23 3/4")

XS449: 450 mm (17 3/4")

Door Swing Clearance

XS899: 1480 mm (58 1/4")

XS749: 1330 mm (52 3/8")

XS599: 1180 mm (46 1/2")

XS449: 1030 mm (40 1/2")

Door Opening Angle

105°

Width

XS899: 899 mm (35 3/8")

XS749: 749 mm (29 1/2")

XS599: 599 mm (23 5/8")

XS449: 449 mm (17 5/8")

Height

2120 mm (83 1/2") + 25 mm (1")

Depth with door

640 mm (25 1/4")

Minimum distance from the wall (hinge side) with door at 105° and 90°.

XS899: 230 mm (9")

XS749: 195 mm (7 3/4")

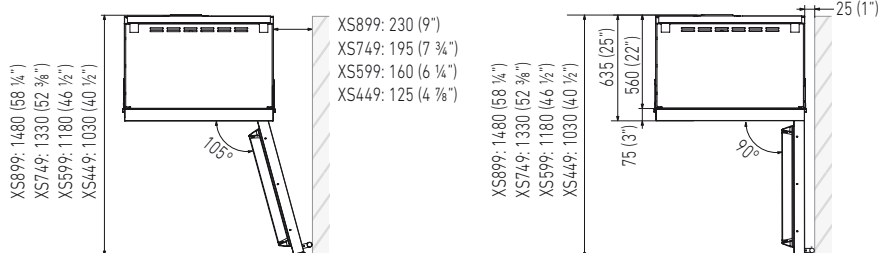
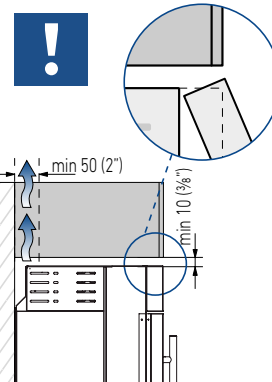
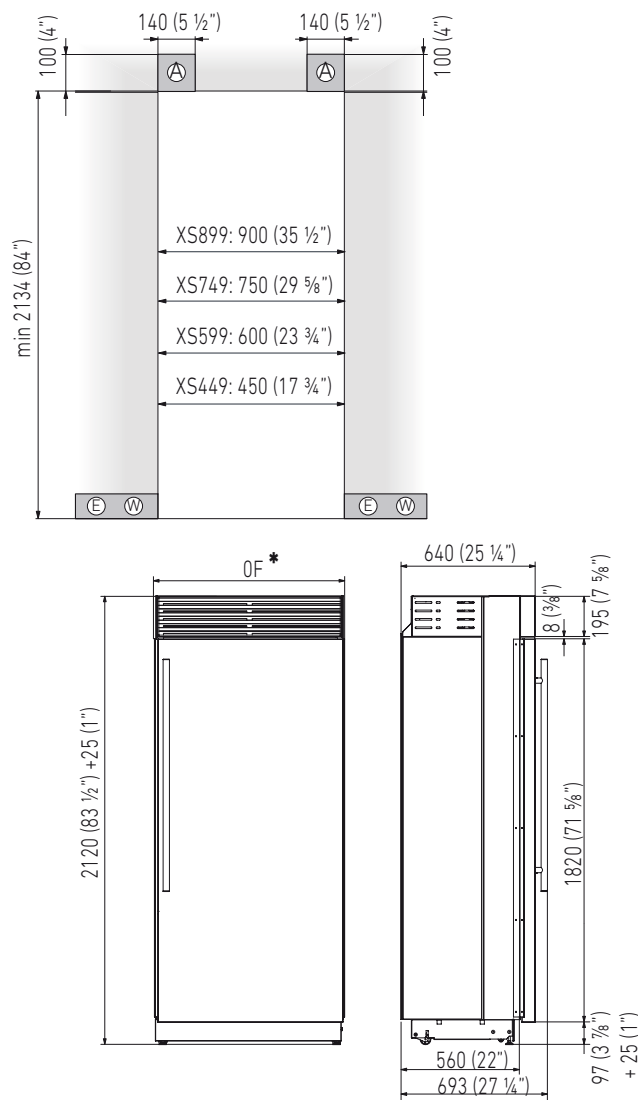
XS599: 160 mm (6 1/4")

XS449: 125 mm (4 7/8")

! Important!

If the units are to be installed inside a niche or within an enclosed structure, it is necessary to design a ventilation shaft at the back of the niche to assure proper ventilation at the back of the unit.

 Dimensions in parentheses are in inches.



2. TECHNICAL REQUIREMENTS

2.8 Installation niche features: Country Series

A - area to be left clear for the anti-tipping brackets
E - area to be left clear for the power supply cable
W - and water supply hose

Minimum Niche Height
 2134 mm (84")

Minimum Niche Width
 AS899: 900 mm (35 1/2")
 AS749: 750 mm (29 5/8")
 AS599: 600 mm (23 3/4")

Door Swing Clearance
 AS899: 1475 mm (58 1/8")
 AS749: 1325 mm (52 1/8")
 AS599: 1175 mm (46 1/4")

Door Opening Angle
 105°

Width
 AS899: 887 mm (35")
 AS749: 737 mm (29")
 AS599: 587 mm (23 1/8")

Height
 2120 mm (83 1/2") + 25 mm (1")

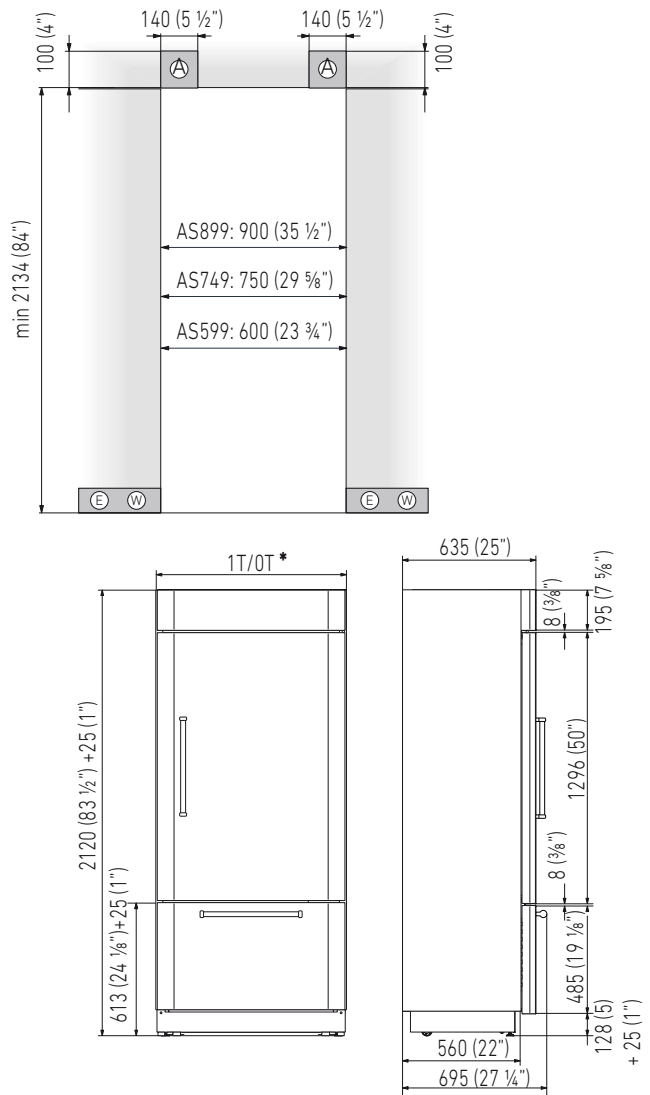
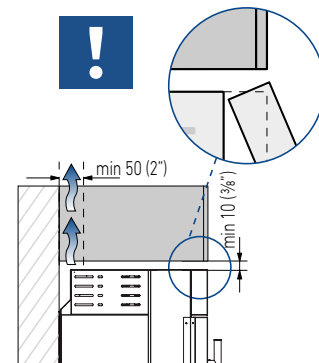
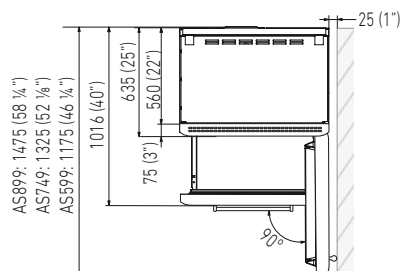
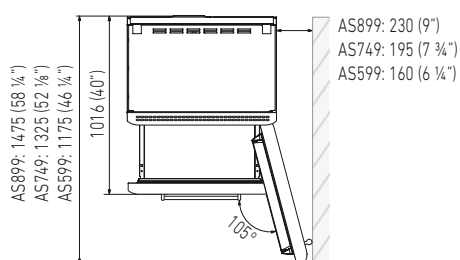
Depth with door
 635 mm (25")

**Minimum distance from the wall (hinge side)
 with door at 105° and 90°.**

AS899: 230 mm (9")
 AS749: 195 mm (7 3/4")
 AS599: 160 mm (6 1/4")

Important!
 If the units are to be installed inside a niche or within an enclosed structure, it is necessary to design a ventilation shaft at the back of the niche to assure proper ventilation at the back of the unit.

Dimensions in parentheses are in inches.



2.9 Installation niche features: Brilliance-Integrated Series

- A** - area to be left clear for the anti-tipping brackets
- E** - area to be left clear for the power supply cable
- W** - and water supply hose

Minimum Niche Height

2064 mm (81 1/4")

STANDARD NICHE WIDTH	MINIMUM NICHE WIDTH WITH PORTAL
BS899: 900 (35 1/2")	BS899: 903 (35 3/8")
BS749: 750 (29 5/8")	BS749: 753 (29 3/4")
BS599: 600 (23 3/4")	BS599: 603 (23 7/8")

Minimum Niche Depth

650 mm (25 5/8")

Door Swing Clearance

- BS899: 1485 mm (58 1/2")
- BS749: 1335 mm (52 5/8")
- BS599: 1185 mm (46 5/8")

Door Opening Angle

105°

Width *

- BS899: 899 mm (35 3/8")
- BS749: 749 mm (29 1/2")
- BS599: 599 mm (23 5/8")

Height

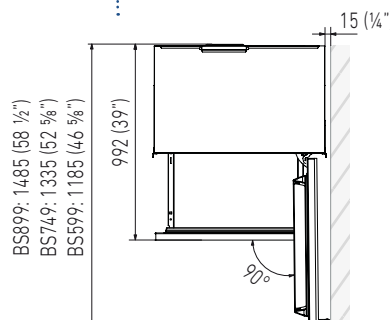
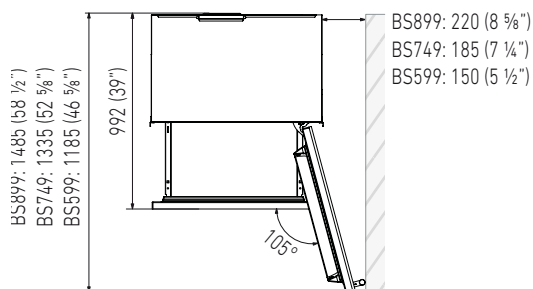
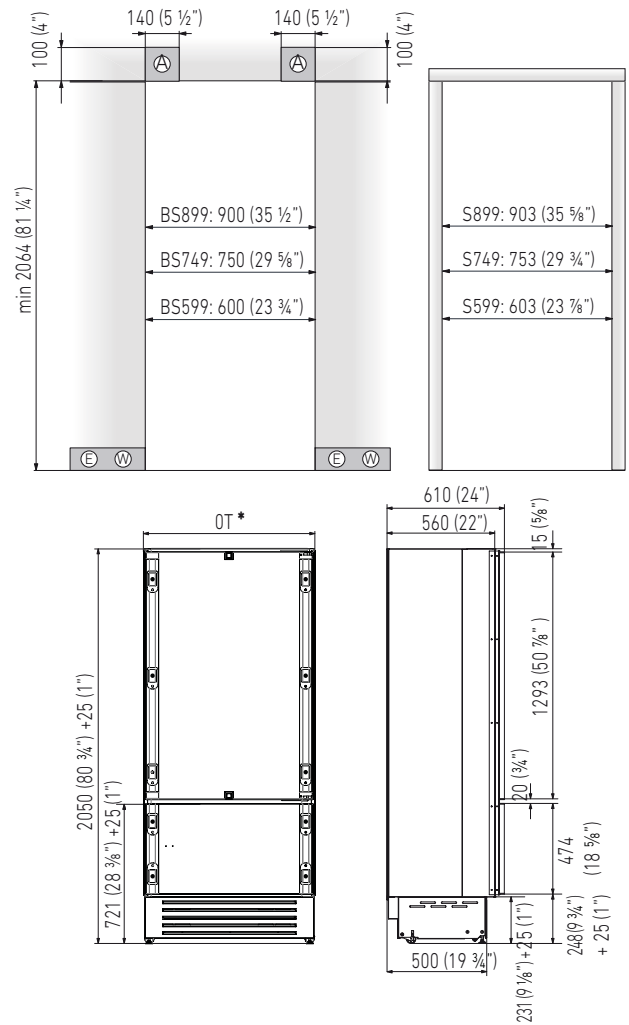
2050 mm (80 3/4") + 25 mm (1")

Depth with door (without panel)

610 mm (24")

Minimum distance from the wall (hinge side) with door at 105° and 90°, with 18mm (3/4") panel and handle h=58mm (2 1/4").

- BS899: 220 mm (8 5/8")
- BS749: 185 mm (7 1/4")
- BS599: 150 mm (5 1/2")



2. TECHNICAL REQUIREMENTS

2.10 Installation niche features: Brilliance-Classic Series

A - area to be left clear for the anti-tipping brackets

E - area to be left clear for the power supply cable

W - and water supply hose

Minimum Niche Height

2064 mm (81 1/4")

Minimum Niche Width

BKS899: 900 mm (35 1/2")

BKS749: 750 mm (29 5/8")

BKS599: 600 mm (23 3/4")

Minimum Niche Depth

650 mm (25 5/8")

Door Swing Clearance

BKS899: 1475 mm (58 1/8")

BKS749: 1325 mm (52 1/8")

BKS599: 1175 mm (46 1/4")

Door Opening Angle

105°

Width

BKS899: 899 mm (35 3/8")

BKS749: 749 mm (29 1/2")

BKS599: 599 mm (23 5/8")

Height

2050 mm (80 3/4") + 25 mm (1")

Depth with door

635 mm (25")

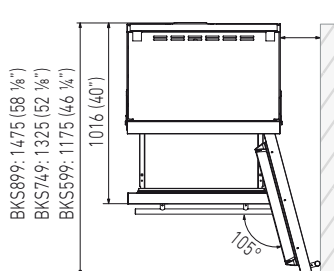
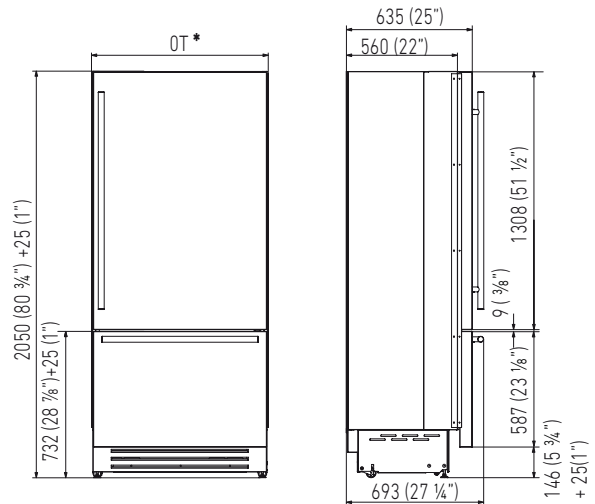
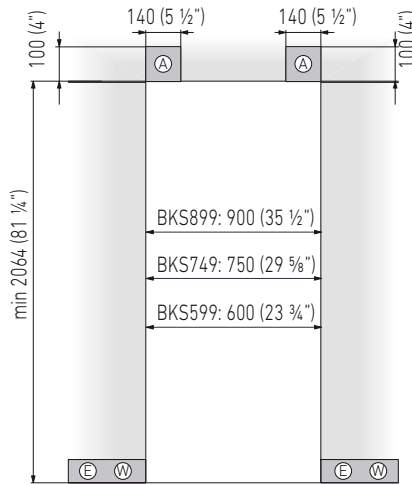
Minimum distance from the wall (hinge side) with door at 105° and 90°.

BKS899: 230 mm (9")

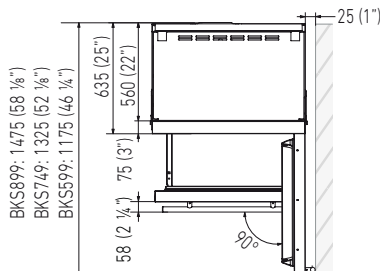
BKS749: 195 mm (7 3/4")

BKS599: 160 mm (6 1/4")

 Dimensions in parentheses are in inches.



BKS899: 230 (9")
BKS749: 195 (7 3/4")
BKS599: 160 (6 1/4")



BKS899: 1475 (58 1/8")
BKS749: 1325 (52 1/8")
BKS599: 1175 (46 1/4")

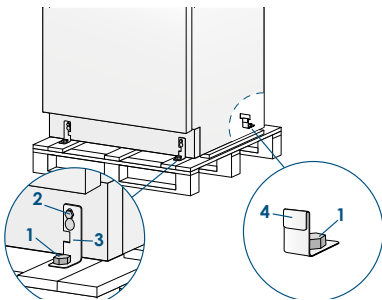
3.1 Transport to installation site and unpacking



The appliance is very heavy. Take maximum care during handling to avoid injury.



The appliance should always be transported in an erect position. Avoid at all costs leaning it on its front side.



Since this is a large and heavy appliance, before transporting the appliance, check the access to the location where it will be installed (door size, manoeuvring space in stairwells, etc.).

The appliance is attached to the base of the packaging (pallet) through four bolts which can be removed using a 17 mm (3/4") wrench.

It is recommended to use a manual transporting device to move the appliance to the installation site, and only at this point to remove the base of the packaging. The appliance should always be transported in an erect position.

If this is not possible, transport the appliance laying on its rear side.

Once at the installation site, the appliance, which is equipped with four wheels, can be taken off the pallet and positioned in the installation area.

Operate as follows:

- > Take off the four bolts securing the appliance to the pallet by means of a 17 mm (3/4") open spanner.
- > Remove the fixing brackets [3] and [4].
- > To remove the front fixing bracket [3], unscrew for one or two turns the rear wheel adjusting bolt [2] by means of a 13 mm (1/2") box spanner, avoiding too much strength while tightening the nut, which could damage the leveling feet adjusting system.
- > From the back of the unit and by means of a suitable, high duty hand trolley, take off the appliance and place it on the floor.

Be very careful to avoid any damage to floors. Delicate floors should be protected with plywood, hard cardboard or similar material panels.

3.2 Electrical and Water connection




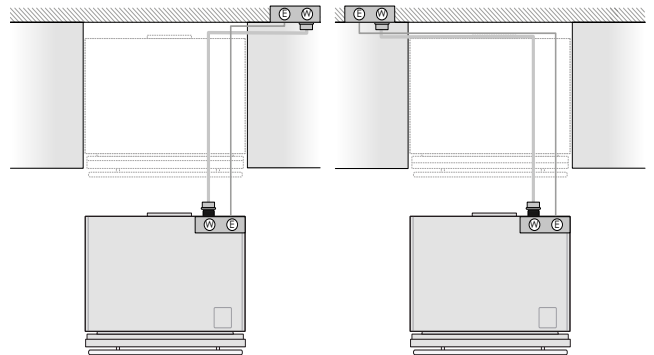
The Built-in Fhiaba filter cannot make it safe to drink any water which is not suitable for human consumption.



The appliance should be connected only to a drinkable water supply system.



Do not use extension cords or adapters. Once the appliance has been connected to the water system, turn the Ice Maker off (touch the button  on control panel to switch it off) before the main water is shut off.



A Schuko 16 A socket with an efficient grounding should be made available for the electrical mains connection, as well as an omnipolar switch which can easily be reached when the appliance is installed.

To connect to the water supply system (for appliances equipped with ice makers) a tap with a male 3/4" connection should be provided, which must also be easily accessible once the appliance is installed.

The appliance is provided with a water supply hose and seal kit which is suitable for high water pressure and complies the Food Regulations.

The water filter cartridge, which is provided with the appliance, should be installed according to the accompanying instructions.

Use only the new hose and the new gaskets which are supplied with the appliance. Discard any hose and gasket which may have already been installed.

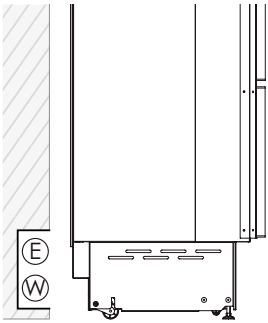
Electrical cord length: 2,0 mt (78 3/4")

Water connection line length: 2,5 mt (98 3/8")

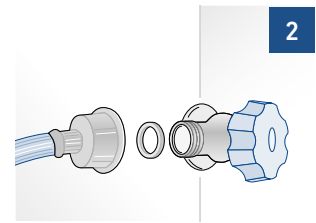
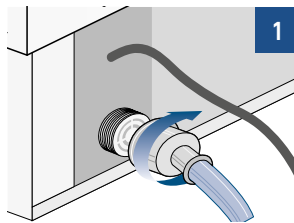
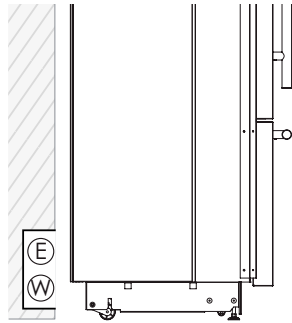
3. PREPARING THE INSTALLATION

ELECTRICAL AND WATER SUPPLY BEHIND THE UNIT

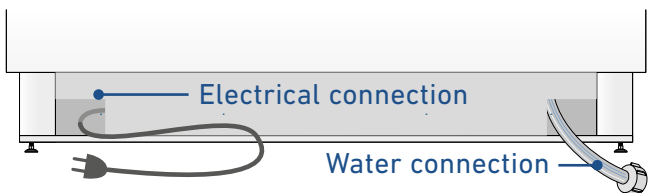
INTEGRATED AND CLASSIC SERIES:



X-PRO AND COUNTRY SERIES:

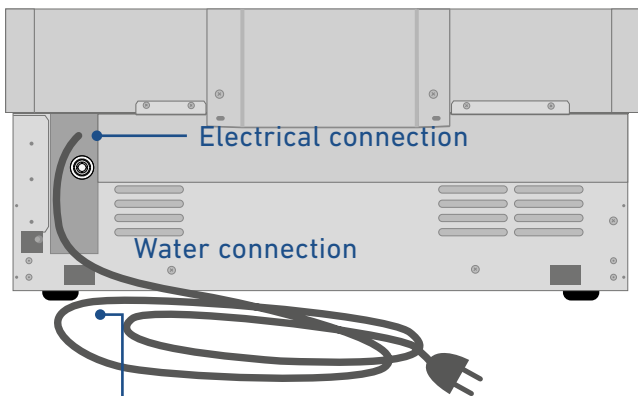


- > Fit one end of the water hose onto the connector at the appliance's back, using the supplied 3/4" fitting [1].
- > Fit the other end of the hose to the water tap, using the supplied 3/4" fitting [2].
- > On 0FZ models only, install the water filter support outside the appliance, using the fittings supplied (see page 49).




Back of appliance

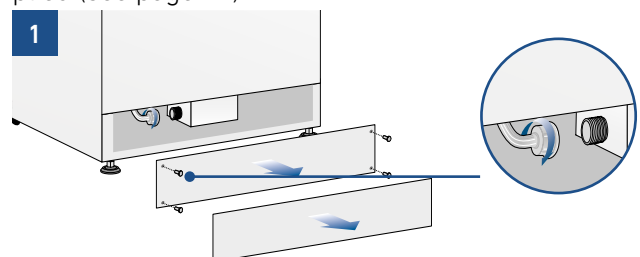
INTEGRATED AND CLASSIC SERIES:



Back of appliance

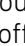
Operate as follows:

- > Unwind the electric cable and connect it directly to the wall socket.
- > Make sure the appliance is in the Stand-by condition and that all lights are off; should it be not so press the Unit button  to switch it off.
- > Connect the water pipe to the threaded connection located at the base of the appliance [1], using the 3/4" fitting supplied.
- > Connect the hose to the tap using the 3/4" fitting supplied [2].
- > Only on 0FZ models, install the water filter support externally to the appliance, using the fittings supplied (see page 49).

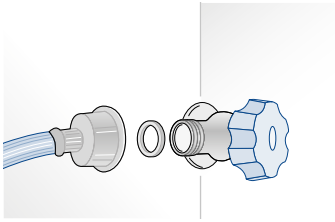


Front of appliance

Operate as follows:

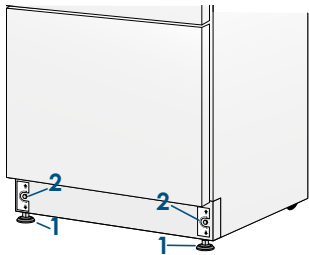
- > Unwind the electric cable and connect it directly to the wall socket.
- > Make sure the appliance is in the Stand-by condition and that all lights are off; should it be not so press the Unit button  to switch it off.

2



3.3 Levelling

Adjust the appliance level by means of the front levelling feet and the rear adjustable wheels.



Operate as follows:

- > After removing the bottom plinth or grille (it is kept in position by magnets), adjust the height of the levelling feet **[1]** by means of a 17 mm (3/4") open spanner.
- > Then adjust the height of the rear wheels by turning the front adjusting bolts **[2]** clockwise or anticlockwise as it may be required.
- > Remount the bottom plinth or grille.

INTEGRATED SERIES

4.1 Decorative door and bottom-drawer panels layout

The dimensions of the panels are indicated in the table and drawings on next pages.

Nevertheless, according to the requirements for aligning with other kitchen structures, the door panel can be higher than the upper edge of the refrigerator door, and the drawer panel can be lower than the edge of the drawer.

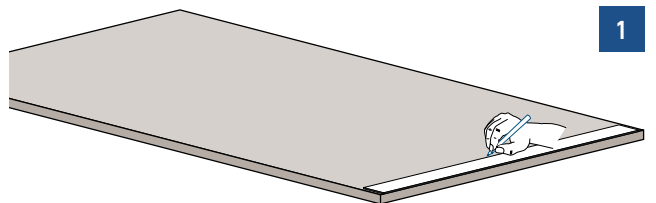
The panels must be mounted using special braces which attach to adjustable devices provided on the door and drawer and with brackets that anchor and adjust the panel's vertical direction. Braces, brackets and fixing screws are provided with the appliance and must be applied to the panel as indicated.

Operate as follows:

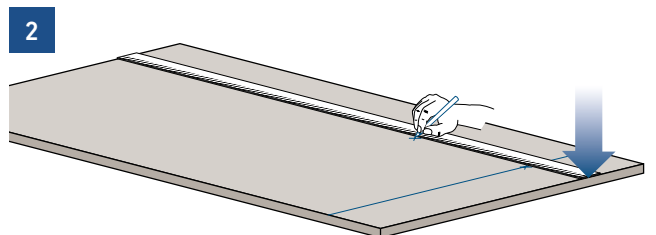
To prepare the panels to be mounted on the appliance, follow these steps, working on the back of the panel.

Door Panel

- > Trace, a line dividing the panel width in half **[1]**.

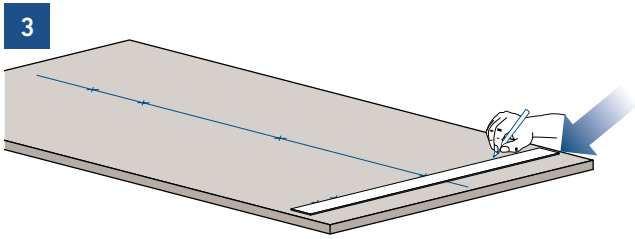


- > Starting from the Bottom edge of the panel, mark the positioning of the brackets **[2]**.

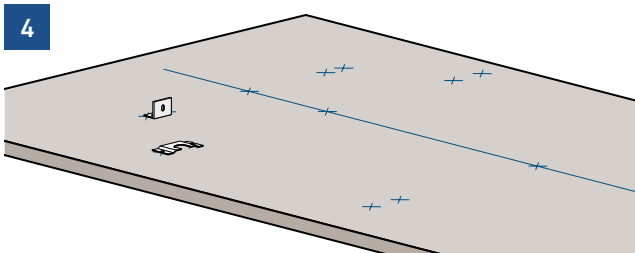


4. PANELS MOUNTING

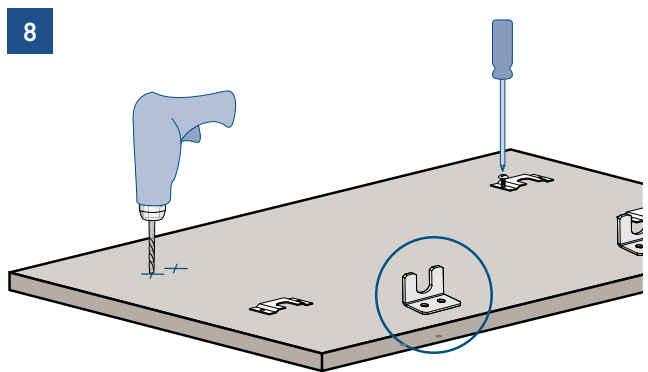
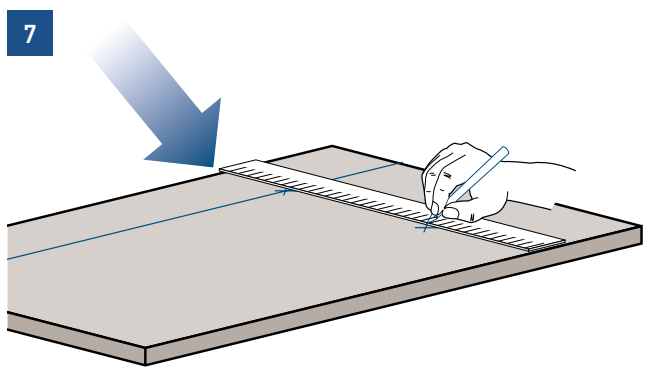
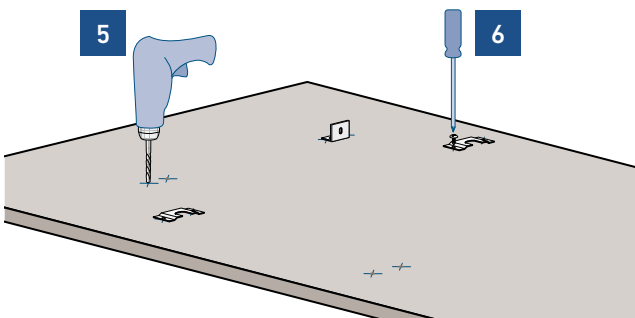
> Following the corresponding table, mark the external and then the internal hole [3].



> Position the brackets on each set of marks to make sure they are aligned [4], then drill holes through the panel (pay close attention to the panel's thickness) [5].



> Screw the brackets in place [6].

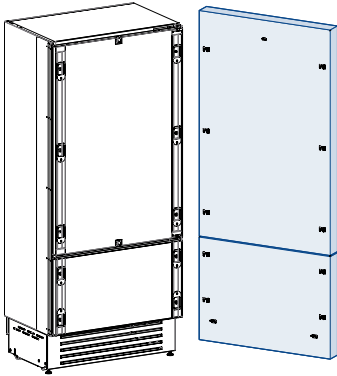


Drawer Panel

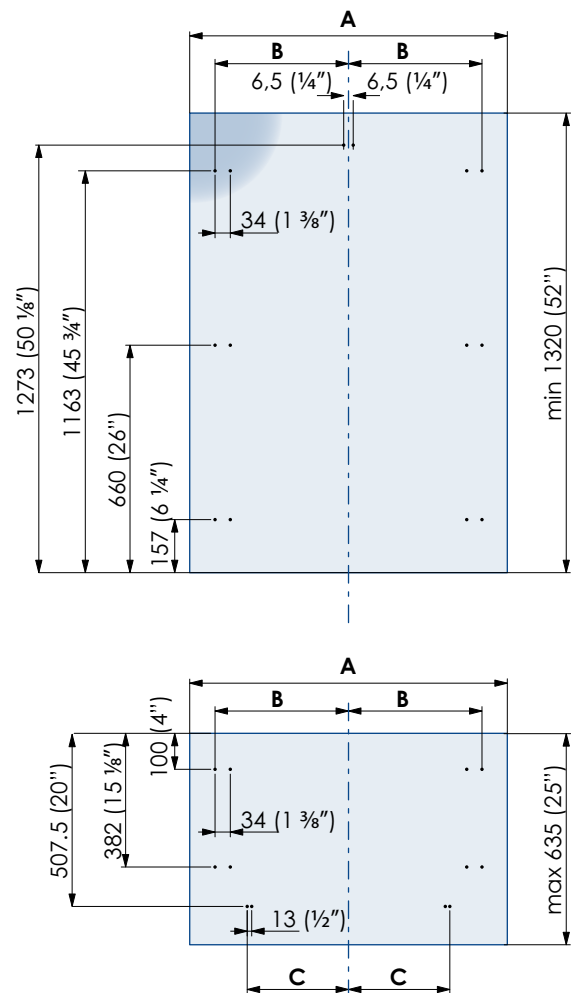
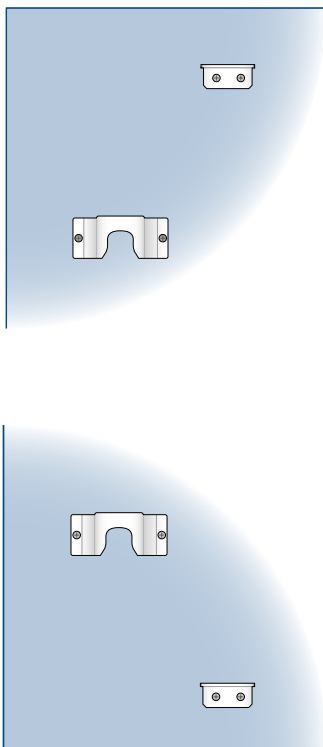
> When preparing the Drawer Panel, follow the same instructions as per the door panel, but make sure measurements are taken starting from the top edge [7].

The support bracket faces the opposite way [8] (note imgs 4 and 8).

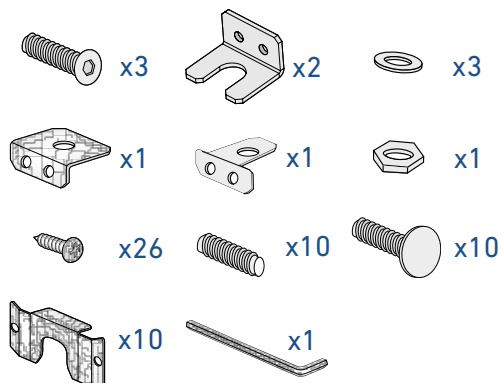
4.2 Decorative panels layout for Fridge with one Bottom-Drawer (1T/0T)



	SERIES 899	SERIES 749	SERIES 599
A	897 (35 1/4")	747 (29 3/8")	597 (23 1/2")
B	417 (16 3/8")	342 (13 1/2")	276,5 (10 7/8")
C	354,5 (14")	279,5 (11")	203,5 (8")

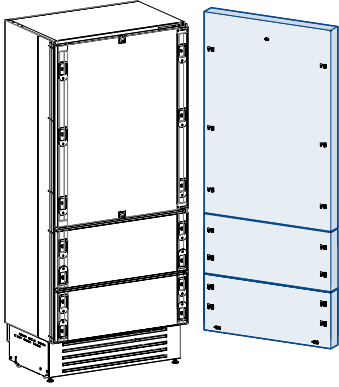


B04000100 Built-in kit



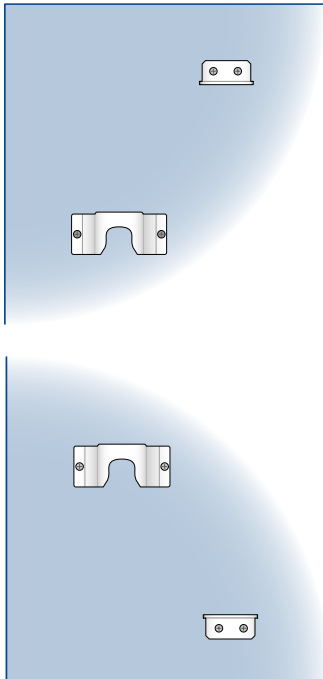
4. PANELS MOUNTING

4.3 Decorative panels layout for Fridge with two Bottom-Drawers (0H)

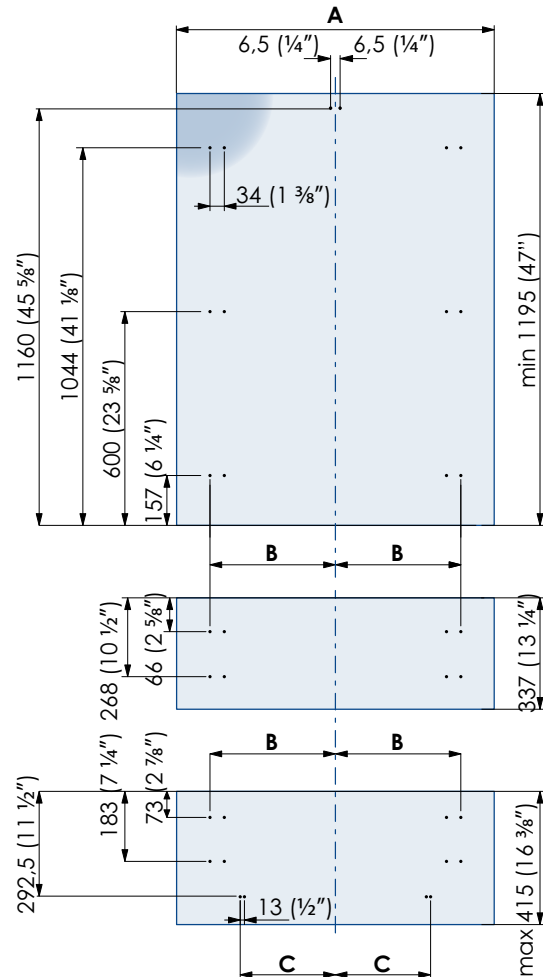
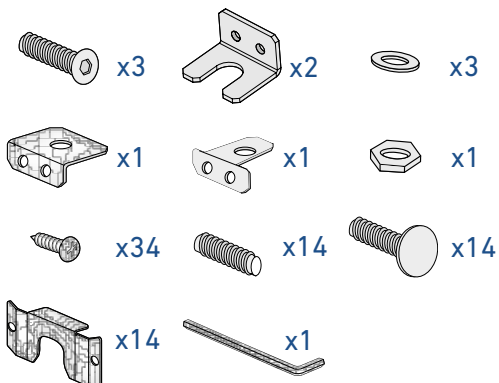


	SERIES 899	SERIES 749
A	897 (35 1/4")	747 (29 3/8")
B	417 (16 3/8")	342 (13 1/2")
C	354,5 (14")	279,5 (11")

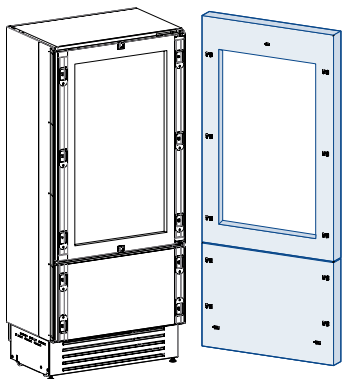
Holes positions:



B04000200 Built-in kit

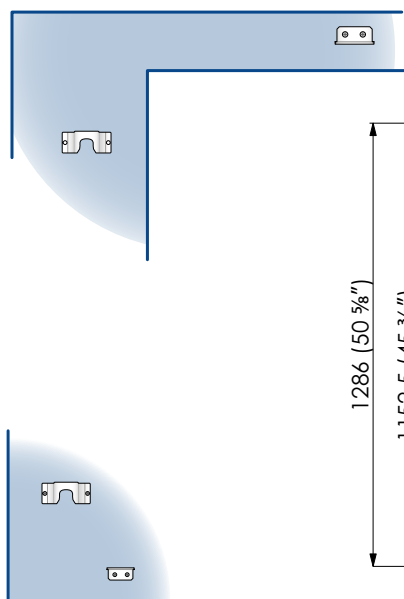
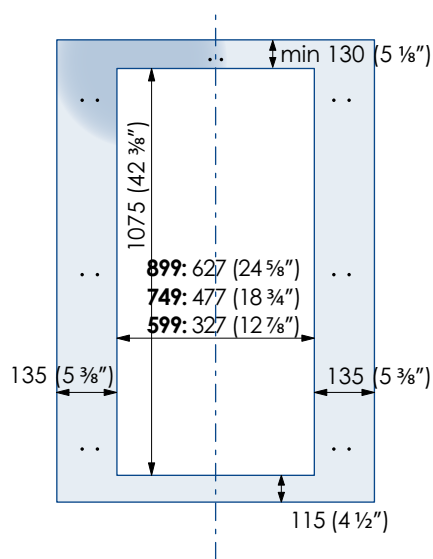


4.4 Decorative panels layout for Fridge with glass door and one Bottom-Drawer (1T/0T)

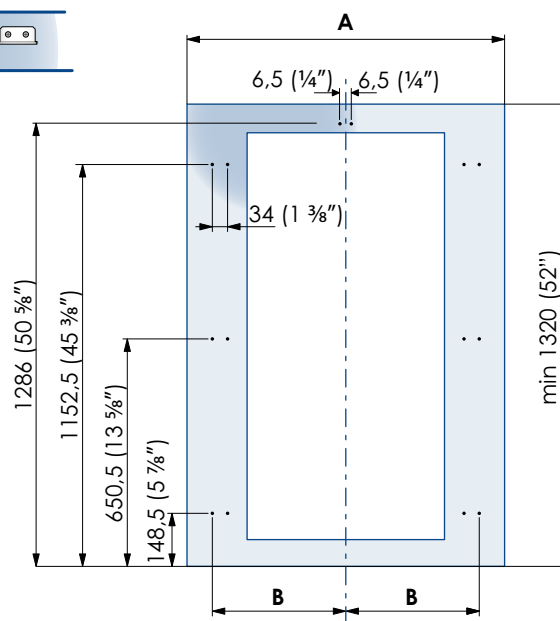


	SERIES 899	SERIES 749	SERIES 599
A	897 (35 1/4")	747 (29 3/8")	597 (23 1/2")
B	417 (16 3/8")	342 (13 1/2")	276,5 (10 7/8")
C	354,5 (14")	279,5 (11")	203,5 (8")

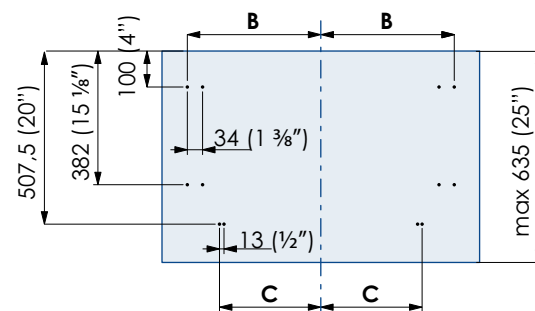
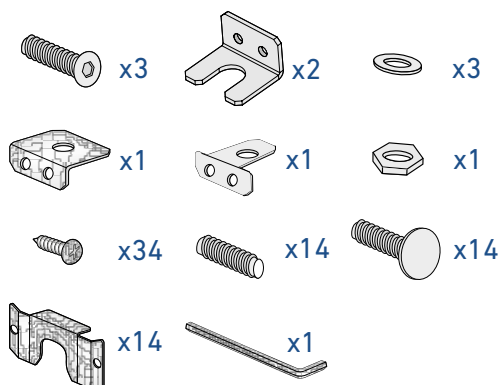
Door window dimensions:



Holes positions:

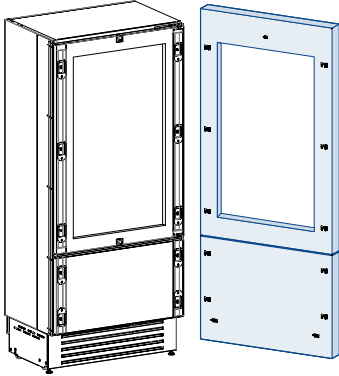


B04000200 Built-in kit



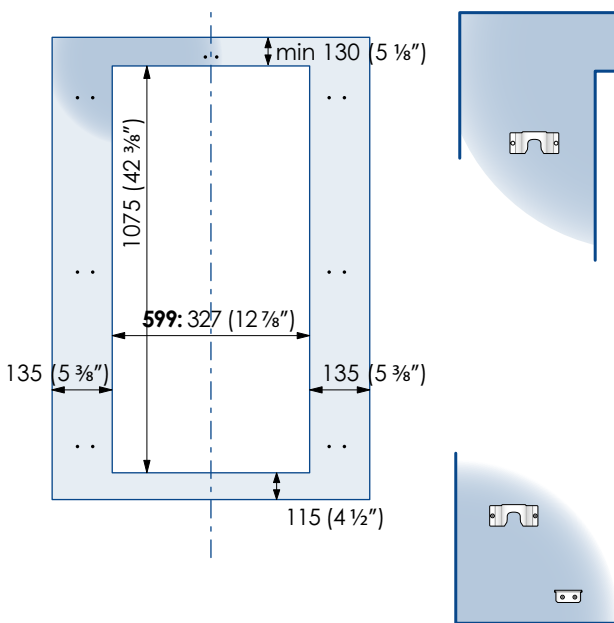
4. PANELS MOUNTING

4.5 Decorative panels layout for Fridge with glass door Brilliance

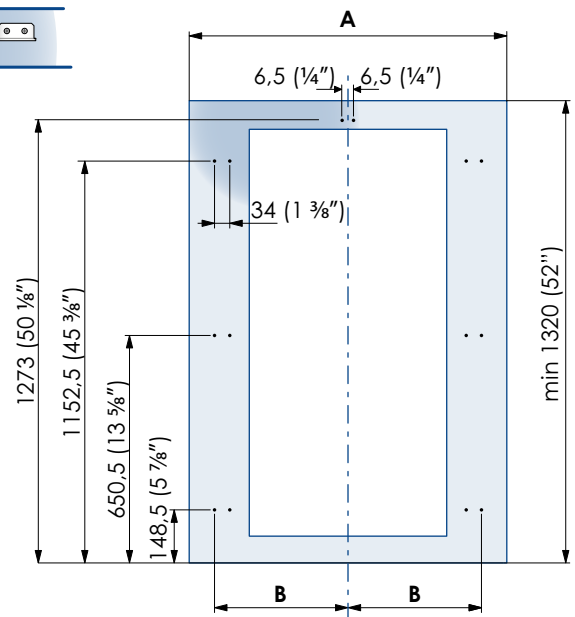


SERIES 599	
A	597 (23 1/2")
B	276,5 (10 7/8")
C	203,5 (8")

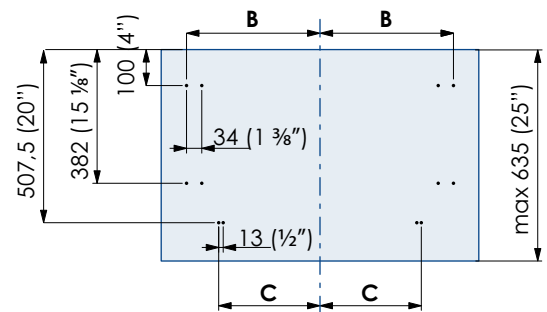
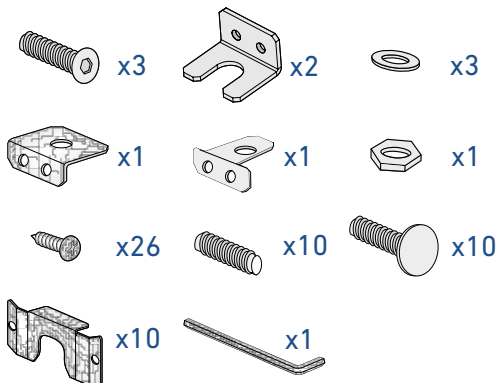
Door window dimensions:



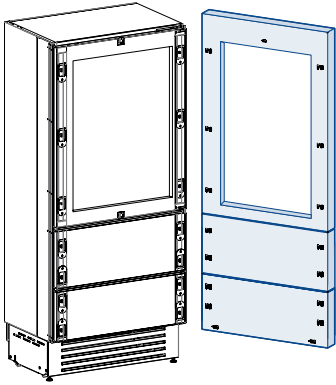
Holes positions:



B04000100 Built-in kit

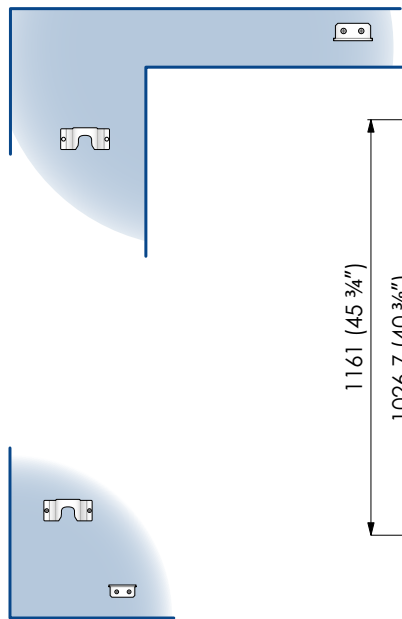
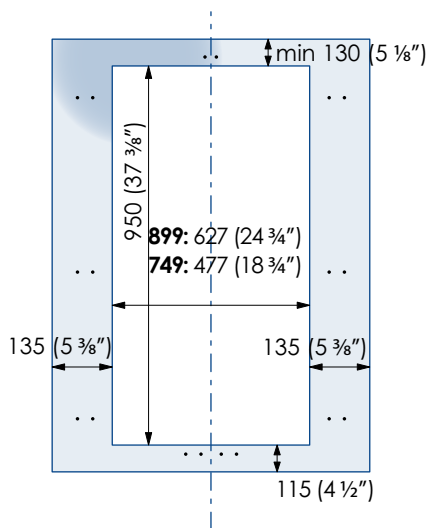


4.6 Decorative panels layout for Fridge with glass door and two Bottom-Drawers (0H)

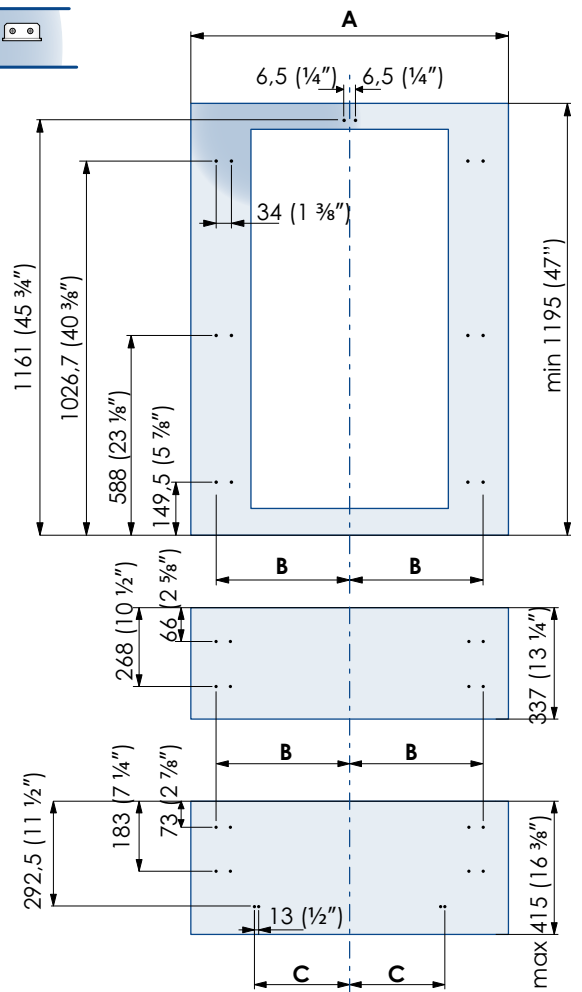


	SERIES 899	SERIES 749
A	897 (35 1/4")	747 (29 3/8")
B	417 (16 3/8")	342 (13 1/2")
C	354,5 (14")	279,5 (11")

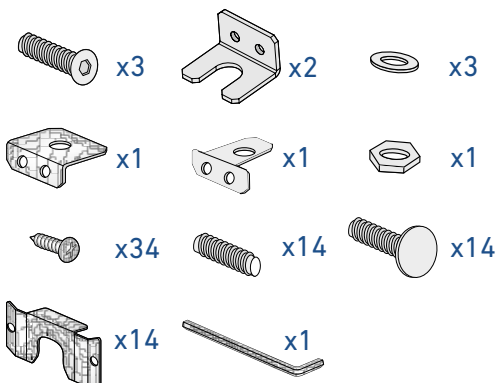
Door window dimensions:



Holes positions:

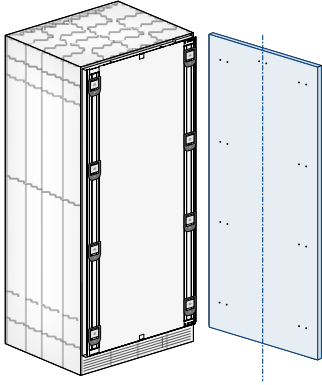


B04000200 Built-in kit

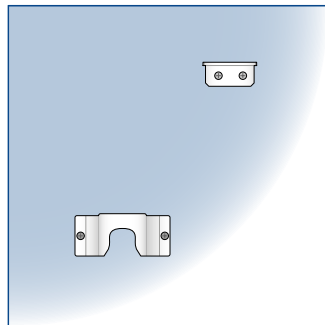


4. PANELS MOUNTING

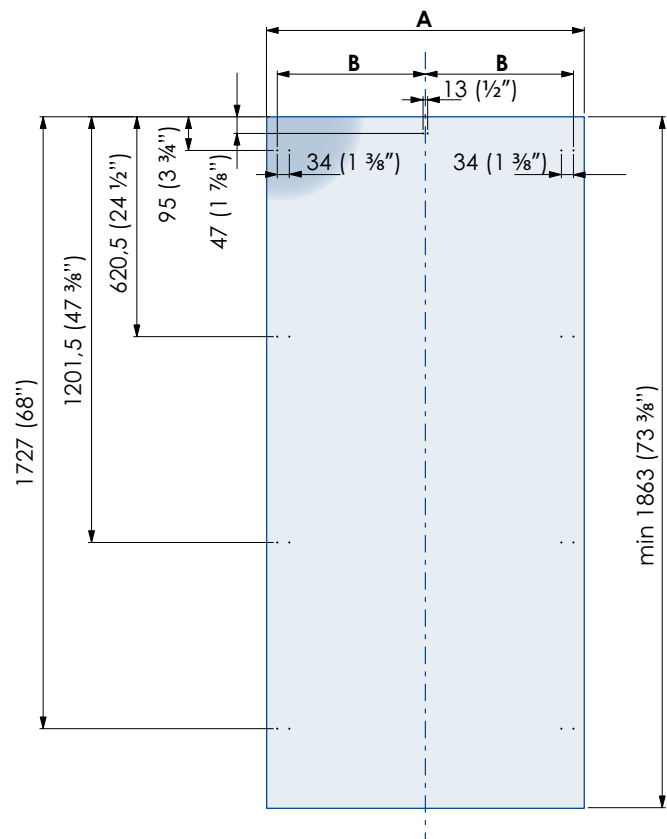
4.7 Decorative panels layout for Fridge Column (OF)



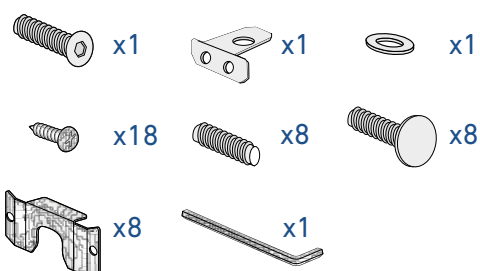
	SERIES 899	SERIES 749	SERIES 599	SERIES 449
A	897 (35 1/4")	747 (29 3/8")	597 (23 1/2")	447 (17 5/8")
B	418 (16 1/2")	343 (13 1/2")	276,5 (10 7/8")	200 (7 7/8")



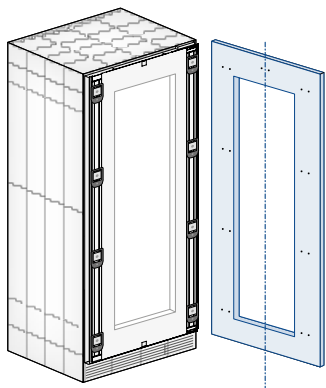
Holes positions:



B04009000 Built-in kit

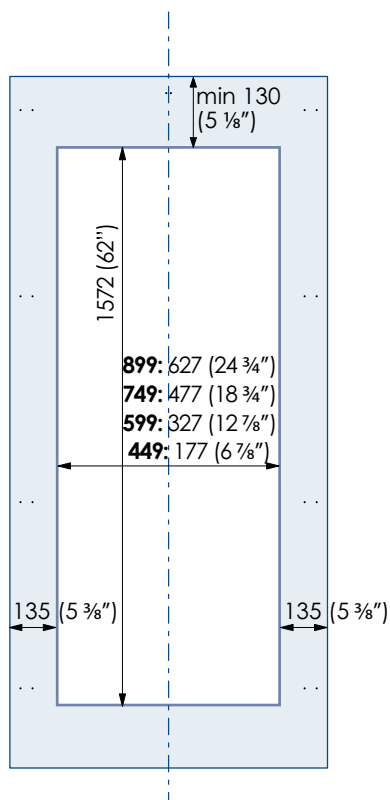


4.8 Decorative panels layout for Fridge column with glass door (OF)

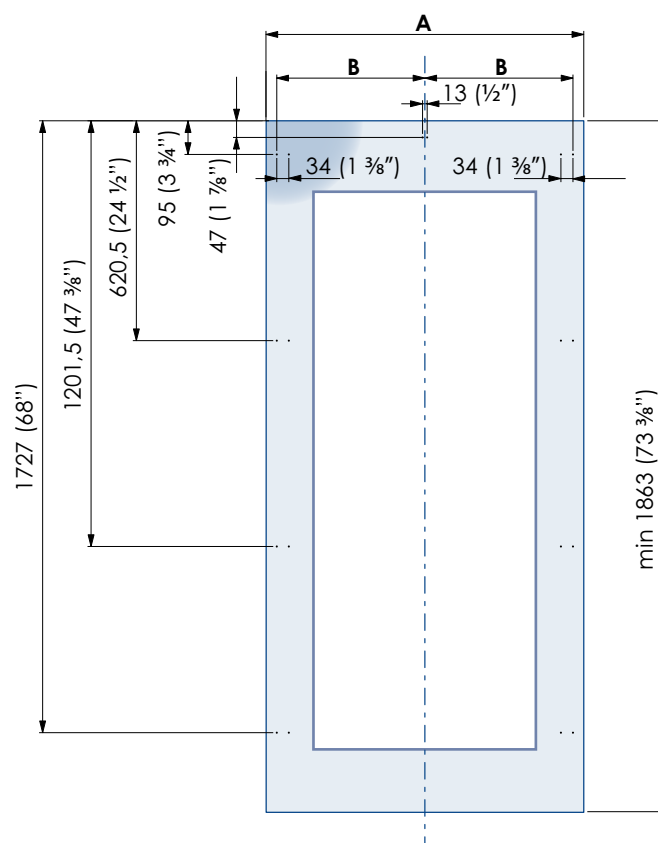


	SERIES 899	SERIES 749	SERIES 599	SERIES 449
A	897 (35 1/4")	747 (29 3/8")	597 (23 1/2")	447 (17 19/32")
B	418 (16 1/2")	343 (13 1/2")	276,5 (10 7/8")	200 (7 7/8")

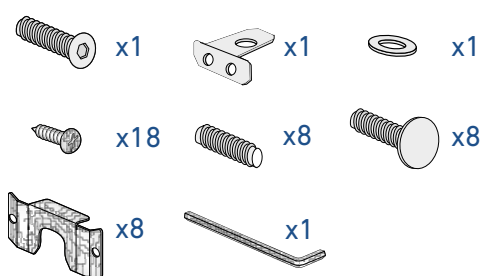
Door window dimensions:



Holes positions:



B04009000 Built-in kit

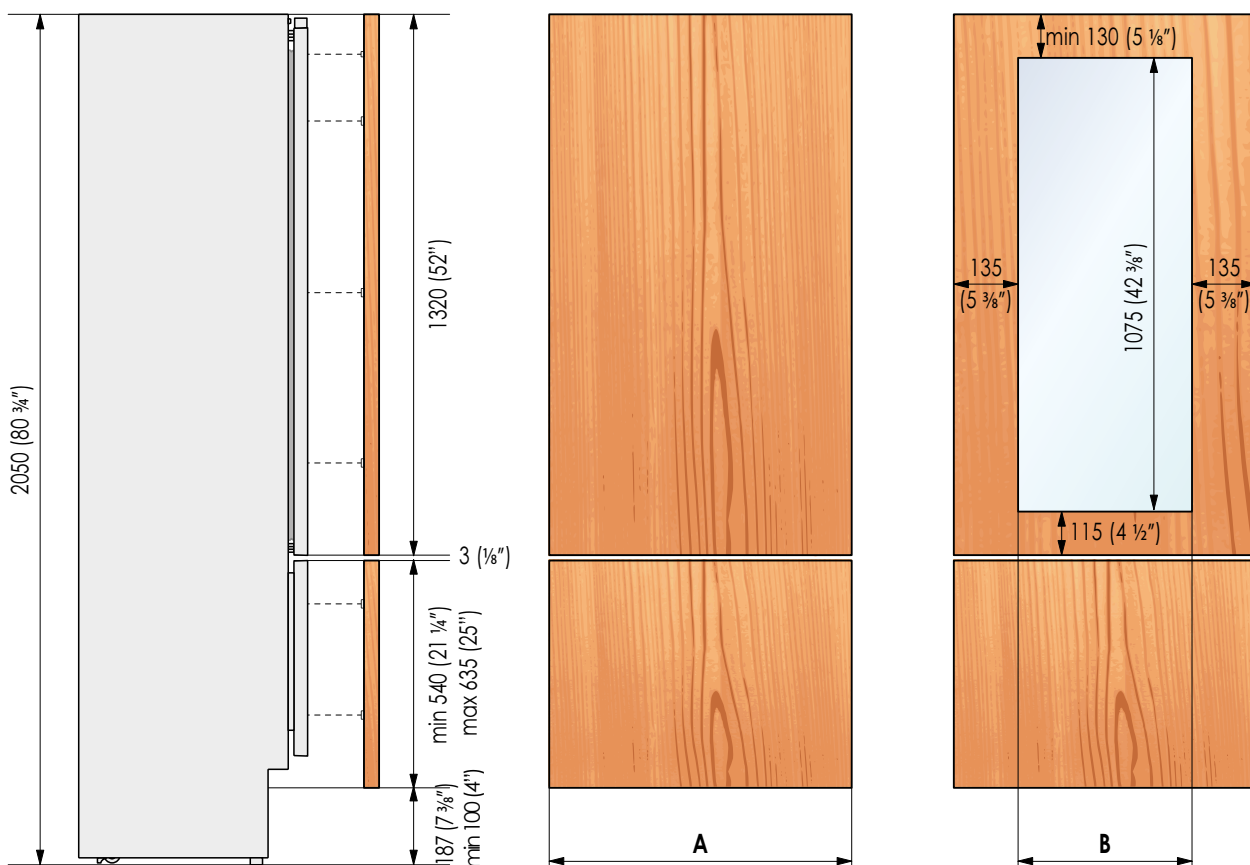


4. PANELS MOUNTING

4.9 Panels Dimensions One Bottom - Drawer (1T/0T models)

Panels with width ranging between 18 mm (3/4 in) and 28 mm (1 1/8 in).
 Door panels with weight max of 23 kg (51 lb) and drawer panels with weight max of 11kg (25 lb).
 Provide installation of decorative panels during installation of the unit.

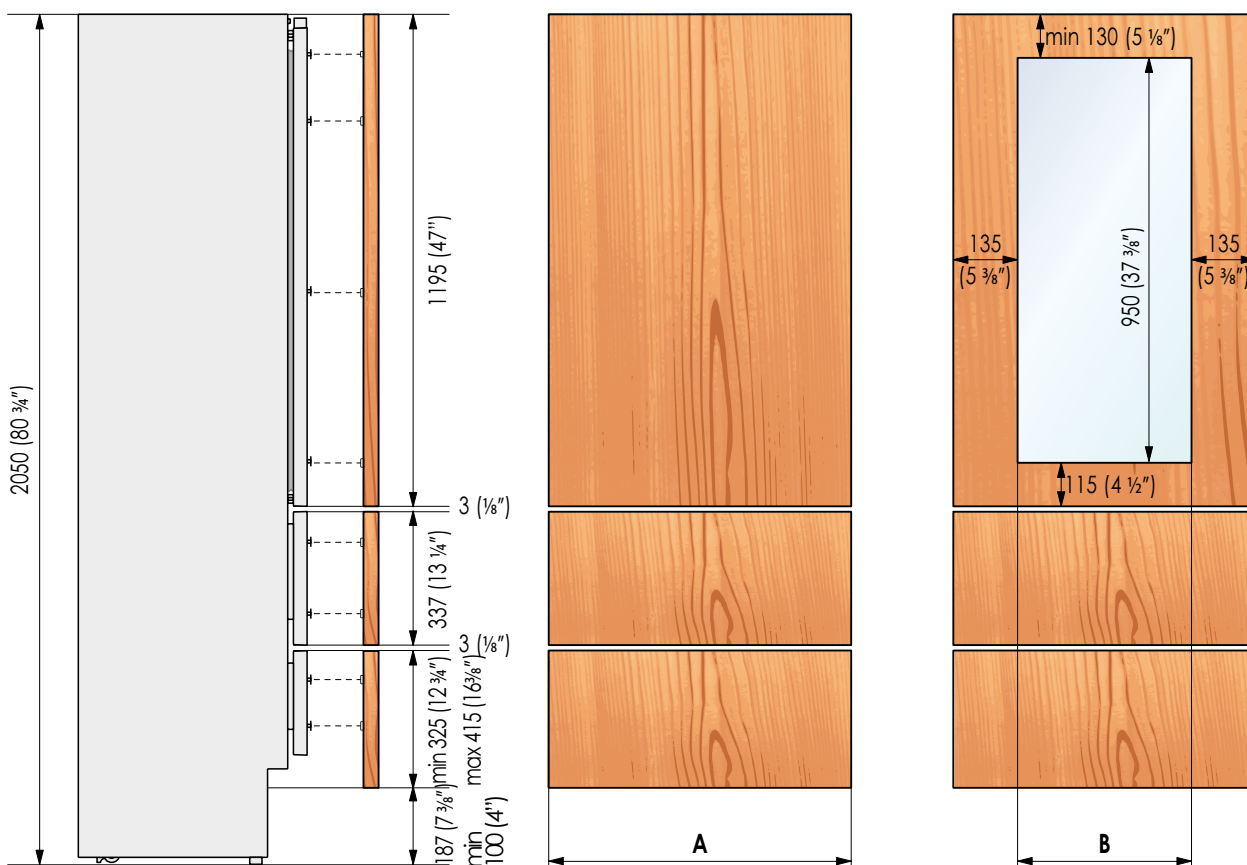
SERIES	DOOR/DRAWER WIDTH A	DOOR CUTOUT WIDTH B
899	897 (35 1/4")	627 (24 3/4")
749	747 (29 3/8")	477 (18 3/4")
599	597 (23 1/2")	327 (12 7/8")



4.10 Panels Dimensions Two Bottom - Drawers (0H models)

Panels with width ranging between 18 mm (3/4 in) and 28 mm (1 1/8 in).
 Door panels with weight max of 23 kg (51 lb) and drawer panels with weight max of 11kg (25 lb).
 Provide installation of decorative panels during installation of the unit.

SERIES	DOOR/DRAWER WIDTH A	DOOR CUTOUT WIDTH B
899	897 (35 1/4")	627 (24 3/4")
749	747 (29 3/8")	477 (18 3/4")
599	597 (23 1/2")	327 (12 7/8")



4. PANELS MOUNTING

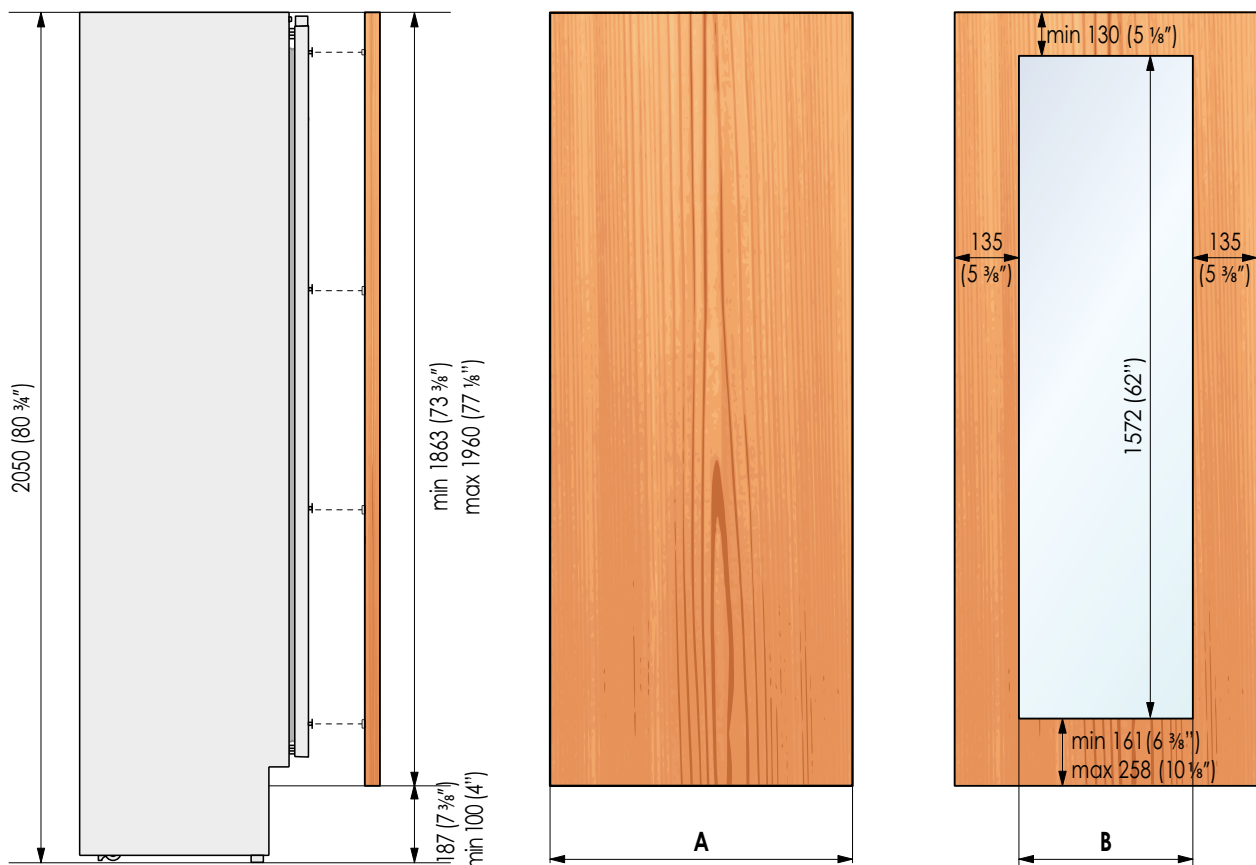
4.11 Panels Dimensions Column Models (0F models)

Panels with width ranging between 18 mm (3/4 in) and 28 mm (1 1/8 in).


Door panels with weight max of 34 kg (75 lb).

Provide installation of decorative panels during installation of the unit.

SERIES	DOOR/DRAWER WIDTH A	DOOR CUTOUT WIDTH B
899	897 (35 1/4")	627 (24 3/4")
749	747 (29 3/8")	477 (18 3/4")
599	597 (23 1/2")	327 (12 7/8")
449	447 (17 5/8")	177 (6 7/8")

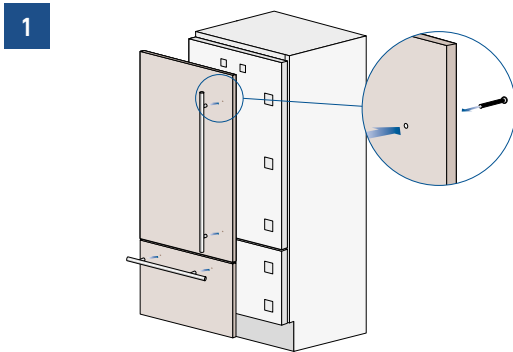


4.12 Mounting the handles

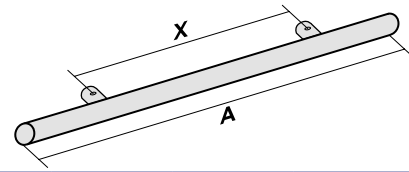
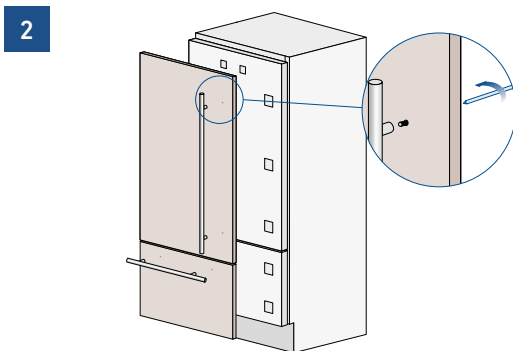
 Handles will have to be mounted on the panels before they are applied to the fridge.

Operate as follows:

> Drill two holes on the back of the panels according to the table below [1].




> Place the handle on top of the holes and insert the screws through the panel and into the handle support [2].



ø30 mm	HANDLE PRODUCT CODE			
	HV	H08	H07	H05
Lenght A	1104 mm (43 1/2")	794 mm (31 1/4")	644 mm (25 3/8")	494 mm (19 5/8")
Distance between fixing points X	900 mm (35 1/2")	480 mm (18 7/8")	490 mm (19 1/4")	340 mm (13 3/8")
Series	899 749 599 449	899	749	599

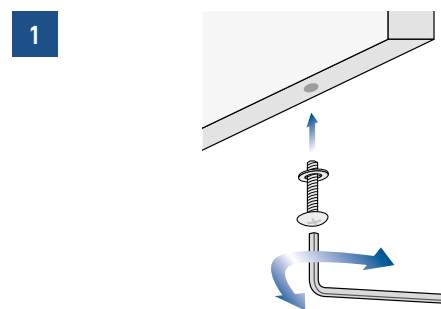
ø18 mm	HANDLE PRODUCT CODE			
	HCV	HC8	HC7	HC5
Lenght A	794 mm (43 1/2")	794 mm (31 1/4")	644 mm (25 3/8")	494 mm (19 5/8")
Distance between fixing points X	480 mm (18 7/8")	480 mm (18 7/8")	490 mm (19 1/4")	340 mm (13 3/8")
Series	899 749 599 449	899	749	599

4.13 Mounting panels to the door and the drawer

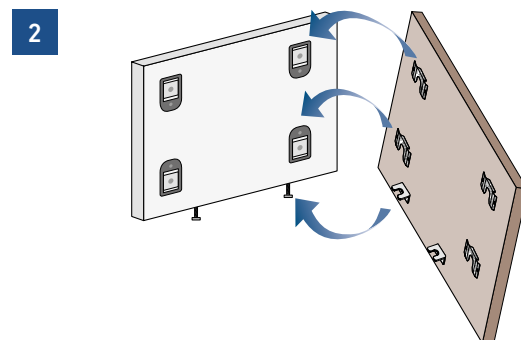
 Once all brackets and small brackets have been applied to the panels, you can begin installing the bottom drawer.

Operate as follows:

> Partially tighten the screw to the fixing [1].

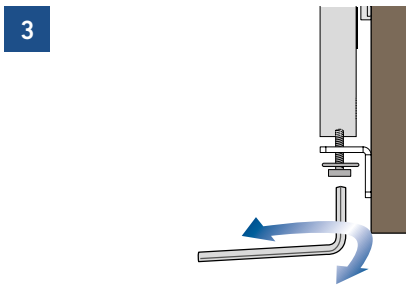


> Hook the bottom drawer panel starting from the fixings on the bottom [2].

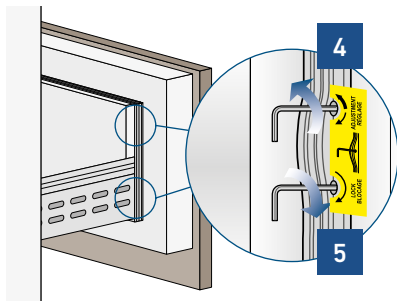


4. PANELS MOUNTING

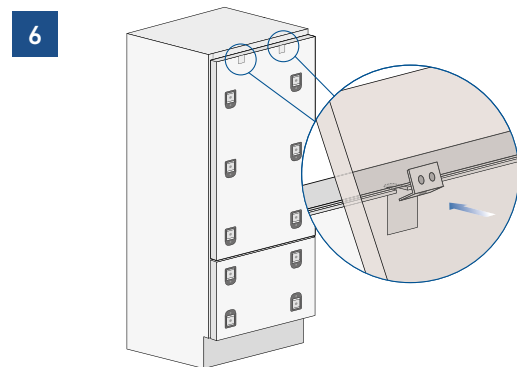
> It is now possible to align panels to adjacent cabinets in height using the lower alignment brackets, **[3]** tightening or untightening the screws into position as needed. With the screw slightly tightened, move the panel sideways to align it to the other panels on the unit or other adjacent structures.



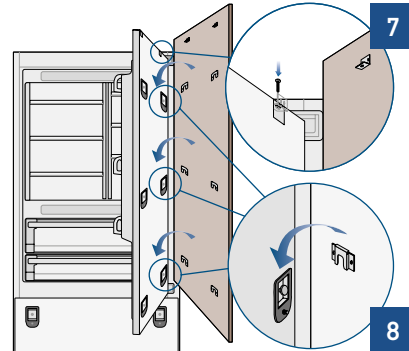
> Depth alignment: working from the inside of the drawer, after lifting up the magnetic seal, adjust the panel position so it is closer to or further away from the door using the holes **[4]** and then secure the panel using the holes **[5]**.



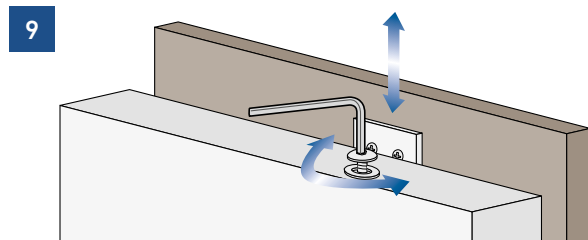
> Hook the panel to the fixing devices starting from the top aligning brackets **[6]**.



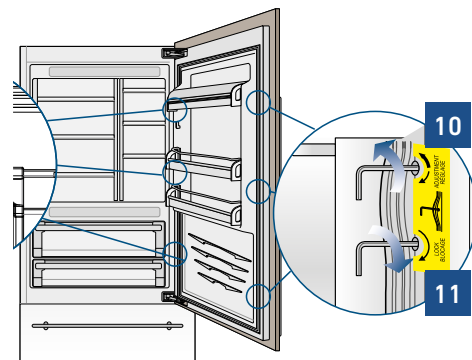
> At this point, alignment between the panel and adjacent cabinets can be adjusted using the alignment brackets and small brackets **[7]** and **[8]**.



> Vertical alignment: tighten or loosen the screw in the brackets to raise or lower the panel **[9]**.



> Depth alignment: working from the inside of the door, after lifting up the magnetic seal, adjust the panel position so it is closer to or further away from the door using the holes **[10]** and then fix the panel in position using the holes **[11]**.



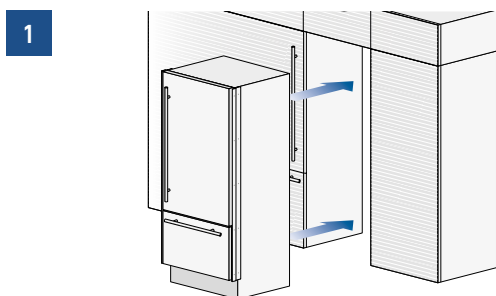
Once the front panel has been adjusted, check that the gasket has been repositioned correctly to assure the door/drawer are closing correctly and avoid operational errors of the unit.

5.1 Built-in installation single appliance

For a built-in installation, to close gaps between the appliance and the adjacent cabinets, special side profiles and PVC covering frames are provided.

Operate as follows:

> Push the appliance into the installation niche [1].

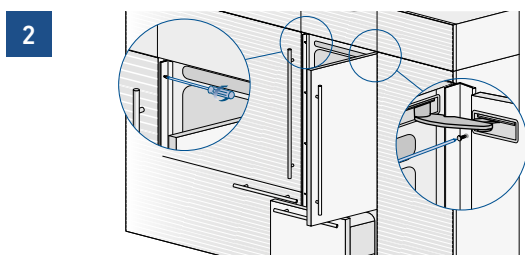


> If the unit is to be installed inside a niche or within an enclosed structure, it is necessary to design a ventilation shaft at the back of the niche to assure proper ventilation at the back of the unit. A 5 mm gap is sufficient to prevent overheating. Always mount front panels on door and drawer before pushing the unit into its final position inside the niche or structure.

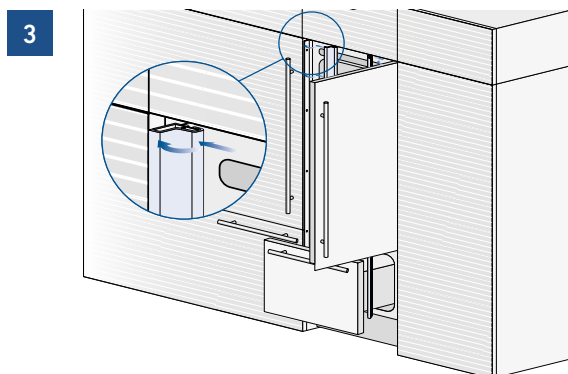
> Secure the appliance to the adjacent cabinets by fixing to these the side profiles previously mounted on the appliance [2].

To make this operation easier keep the door and the drawer open.

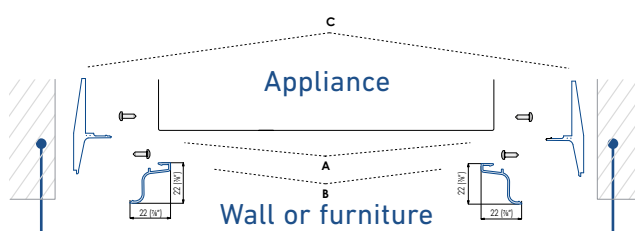
> Check the levelling of the appliance, adjusting its feet and wheels to correct it.



> Mount the profiles the covering frames: first insert them laterally and then push firmly until a "click" is heard [3].



Side profiles mounting:



A PVC connecting element, alternatively: **C** plastic connecting brackets
B Aluminium frame

5.2 Built-in installation two or more appliances

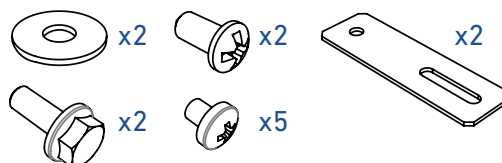
Required accessories to be ordered separately:

> Central connection Kit (KCC)



Special side profiles and PVC covering frames are provided for closing gaps between the appliance and the adjacent cabinets.

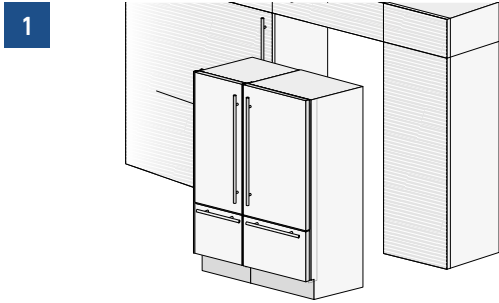
B04017900 Union kit



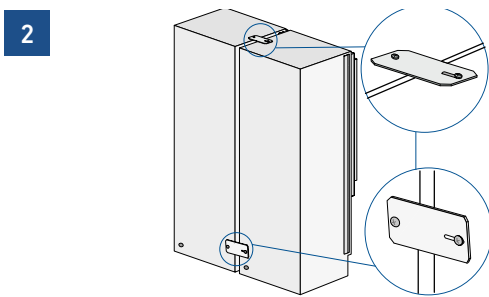
5. INSTALLATION

Operate as follows:

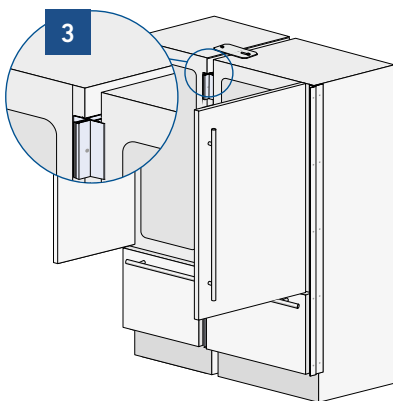
> Position the appliances in front of the installation area, leaving enough space to operate at their back [1].



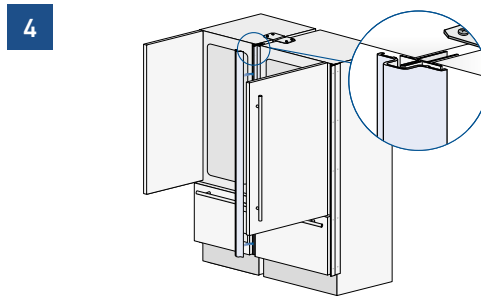
> Move at the back of the appliances to mount the joining brackets: fix on side of the top and lower brackets to one of the appliances and subsequently to the other [2].



> Place the two units side by side and join them at the front attaching the profiles with the supplied screws [3].



> Finish off by mounting the central cover frame onto the central profiles, by pushing it until a click is heard [4].

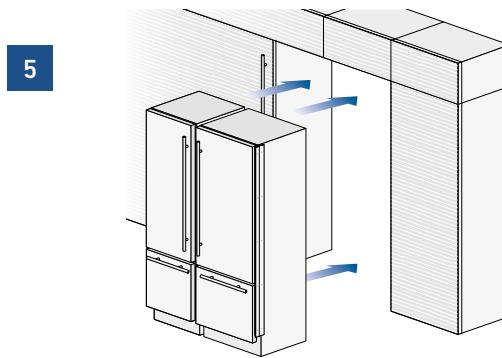


> Once completed the previous steps, push the units in their final position [5].

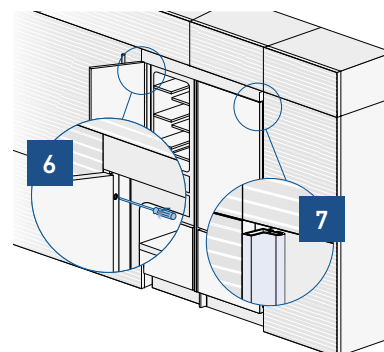
If the units are to be installed inside a niche or within an enclosed structure, it is necessary to design a ventilation shaft at the back of the niche to assure proper ventilation at the back of the unit of about 20mm. Always mount front panels on door and drawer before pushing the unit into its final position inside the niche or structure.

> Check the levelling of the appliance, adjusting its feet and wheels to correct it.

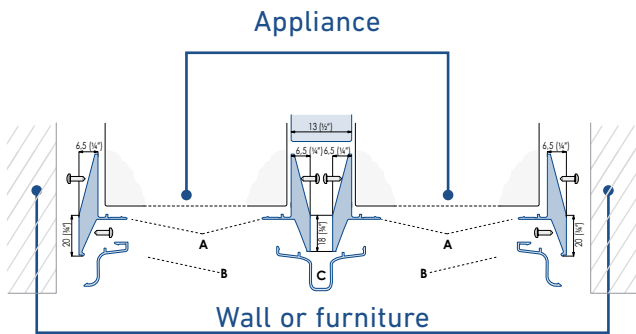
> Secure the appliance to the adjacent cabinets by fixing to these the side profiles [6]. To make this operation easier keep the door and the drawer open.



> Mount the covering frames onto the profiles, first insert them laterally and then push firmly until a "click" is heard [7].



Side and central profiles mounting:



- A** - Side connection profile in PVC.
- B** - Aluminum cover frame
- C** - Central covering frame in aluminum

5.3 Free-standing installation two or more appliances

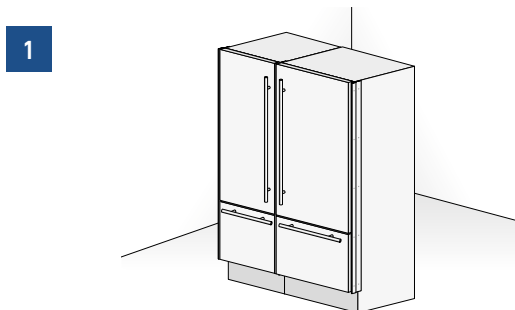
Required accessories to be ordered separately:

- > Central Connection Kit (KCC)
- > Freestanding Kit

Aluminium profiles can be used to close the spaces between the appliance and adjacent structures.

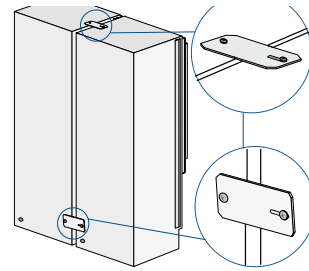
Operate as follows:

- > Position the appliances in front of the installation area, leaving enough space to operate at their back.
- > Peel off the self adhesive protection and apply the insulated anticondensation panel to the side of one appliance [1].

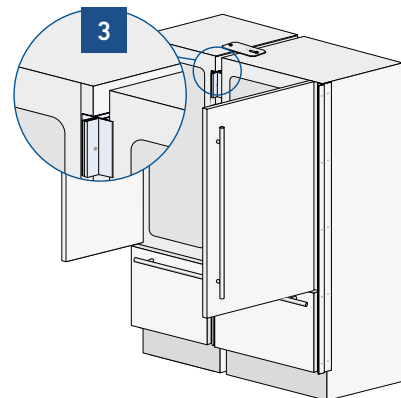


- > Move at the back of the appliances to mount the joining brackets: fix one side of the top and lower brackets to one of the appliances and subsequently to the other [2].

2

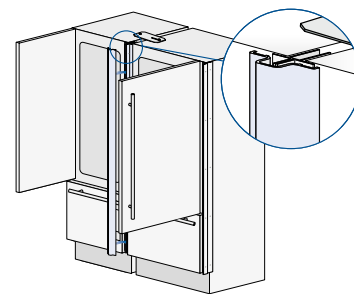


- > Place the two units side by side and join them at the front attaching the two profiles with the supplied screws [3].



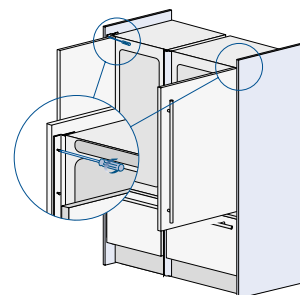
- > Finish off by mounting the central cover frame onto the central profiles, by pushing it until a click is heard [4].

4



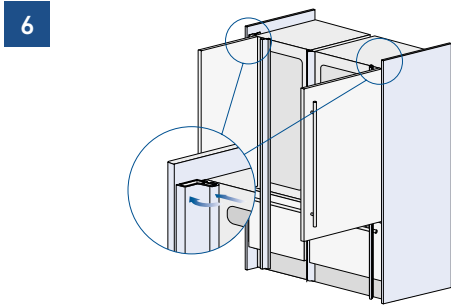
- > Attach the side panels to the unit, mounting them on the side profiles [6]

5

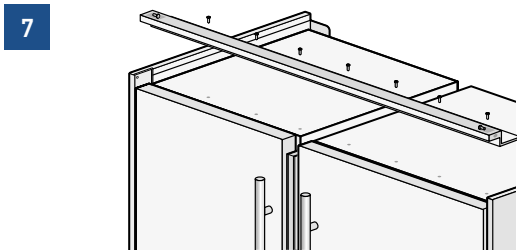


5. INSTALLATION

> Attach the aluminum cover [6] to each side profile, pressing onto them until they 'click' together.

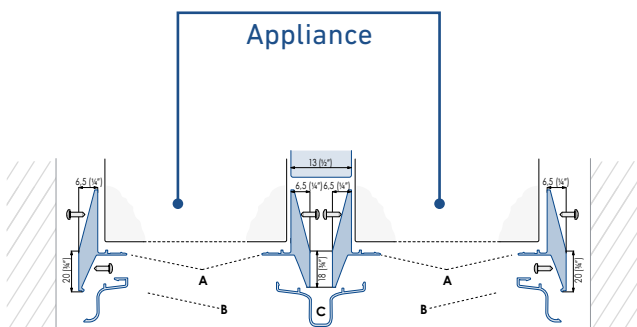


> Mount the top panel [7] on top of the unit, using the screws provided with the kit.



> Adjust the height of the unit with the leveling feet and the back wheels.

Side panels and central profile mounting



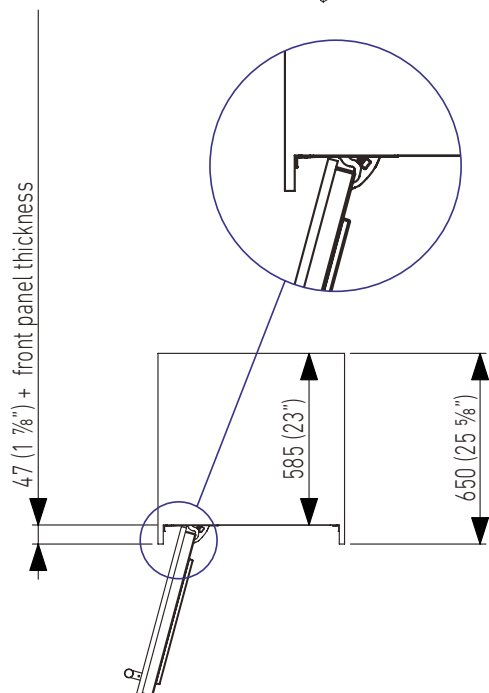
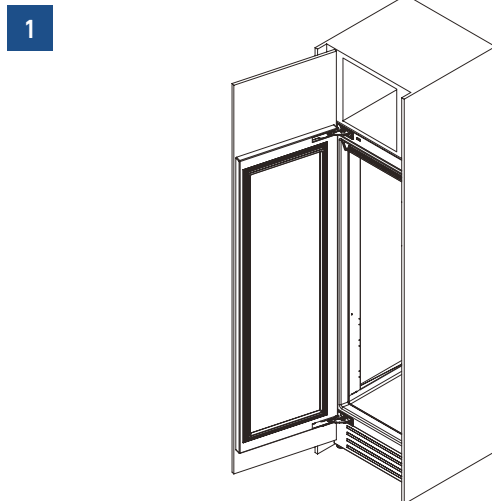
- A** - Side connection profile in PVC.
- B** - Aluminum cover frame
- C** - Central covering frame in aluminum

! 5.4 Maximum cabinet depth over "Integrated" refrigerator with single door panel

It is possible that the design of the kitchen and, in particular, of the niche where the "Integrated" refrigerator is going to be fitted includes a cabinet right above the refrigerator itself that must be closed with the same panel mounted on the Integrated refrigerator door."

In this case, **the total depth of the cabinet without the door (above the refrigerator) must not exceed the total depth of the refrigerator itself [1].**

This will allow the panel attached to the refrigerator door to open correctly without interference during its rotation up to 105°.



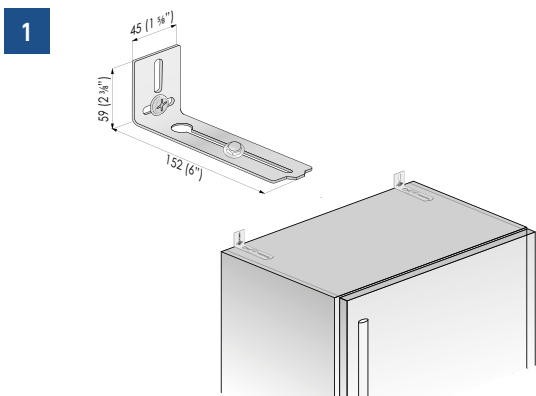
6.1 Anti-tipping safety assembly



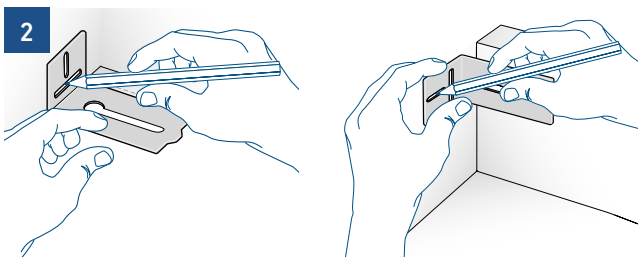
To prevent the appliance from tipping over an extra-long kit is available up on request if the appliance needs to remain distanced from the wall, it is mandatory to install two brackets on the upper part of the appliance for fixing it securely to the wall.

Operate as follows:

> The brackets should be applied as illustrated using the provided screws and expansion plugs. Place a bracket on the top of the appliance in correspondence to the fixing holes and against the wall [1].

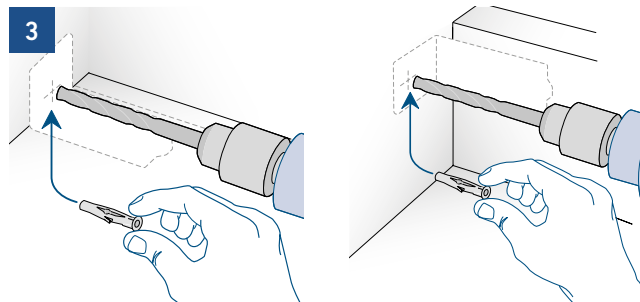
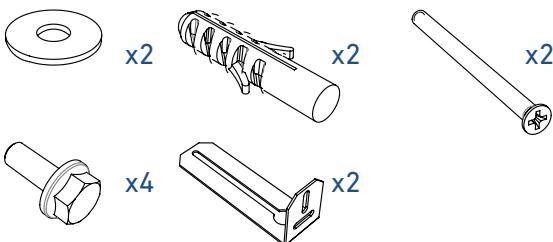


> Mark up the holes position on the wall [2].

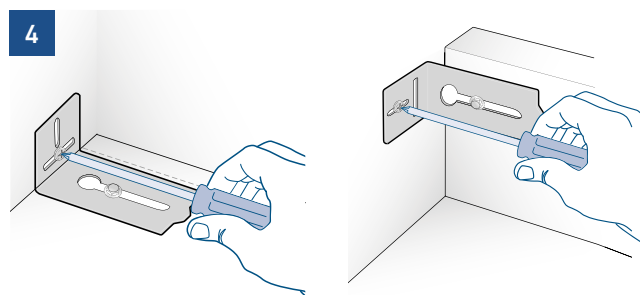


> Drill the wall with an 8 mm (3/8") bit and insert the expansion plug [3].

B04000200 Anti-tip kit



> Reposition the bracket and fix it first to the cabinet and then to the wall [4].



To avoid danger of the appliance tipping over it is mandatory to secure the appliance to the wall by means of two special brackets.

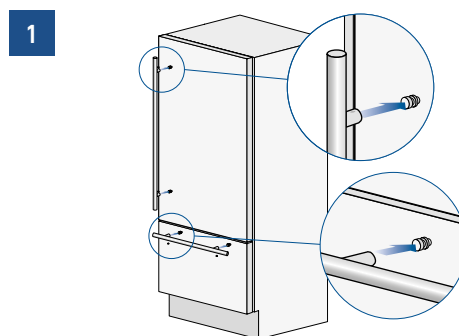
6.2 Mounting the handles on stainless front



To mount the handles onto the door and the drawer operate as follows:

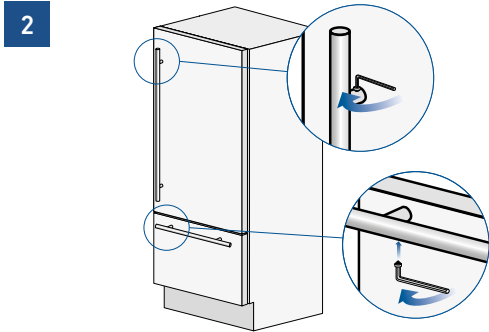
Operate as follows:

> Insert the two handle spacers onto the supports already available on the door and the drawer [1].



6. COMPLETING THE INSTALLATION

> Screw in the Allen screws available on the handle **[2]**.



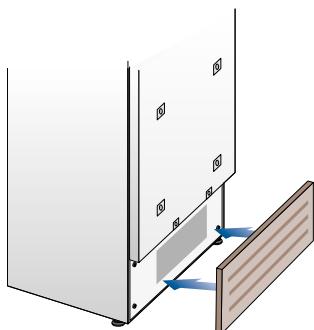
The screws must be tightened in by means of a 2.5 mm (1/8") hex wrench.

6.3 Ventilation and Plinth

INTEGRATED AND CLASSIC SERIES

In the event that the design of the environment provides for the installation of a front plinth to unify the overall view, **it is necessary to use a perforated plinth to ensure proper ventilation of the equipment.**

The drawings below indicate, for each width available in the Integrated series, the size of the area and the percentage of surface to be drilled; the type of drilling (vertical or horizontal grid, for example) remains at the discretion of the designer.



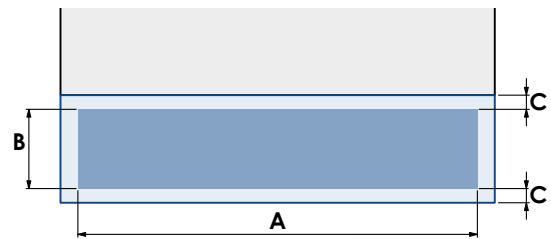
Ventilation is ensured by a forced air system through a grid positioned in the lower part of the equipment. **If a front plinth is provided, it must provide an opening to ensure proper ventilation of the equipment as per drawing.**

The type of drilling of the front plinth (eg vertical or horizontal slots) is at the discretion, however, it must guarantee an open surface equal to 50% of the total.

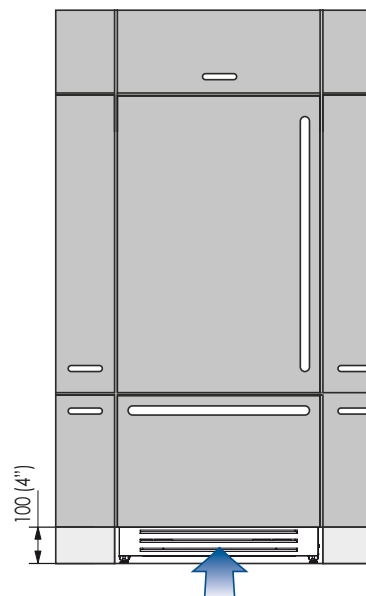
In this case, to further improve ventilation, it is suggested to remove the original grille.

The ventilation grille is magnetically fixed to the equipment and can be easily removed, even by the user, to check and clean the condenser from any accumulation of dust.

The ventilation grille must not be blocked or covered in any way. It also needs to be dusted / cleaned regularly.



	SERIE 899	SERIE 749	SERIE 599	SERIE 449
A	860 (33 7/8")	710 (27 15/16")	560 (22")	410 (16 1/8")
B	> 100 (4")			
C	10 (3/8")			
	min 50%			

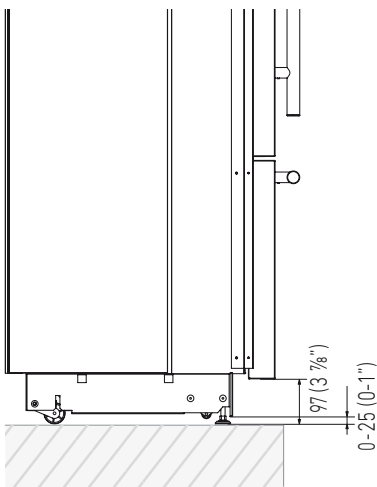


6. COMPLETING THE INSTALLATION

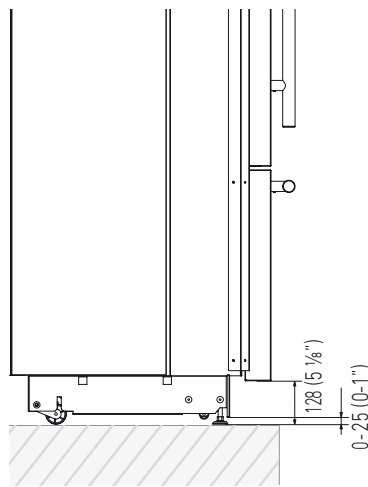
Plinth size

Models	X-Pro (XS)	County (AS)	Classic (KS)	Integrated (S)	Brilliance Classic (BS)	Brilliance Integrated (BC)
Feet Adjustment	0 - 25 mm (0 - 1" in)					
Height of the panel from the floor	97 mm (3 7/8" in)	128 mm (5 1/8" in)	146 mm (5 3/4" in)	min 100 mm (3 7/8" in) max 187 mm (7 3/8" in)	146 mm (5 3/4" in)	min 100 mm (3 7/8" in) max 187 mm (7 3/8" in)

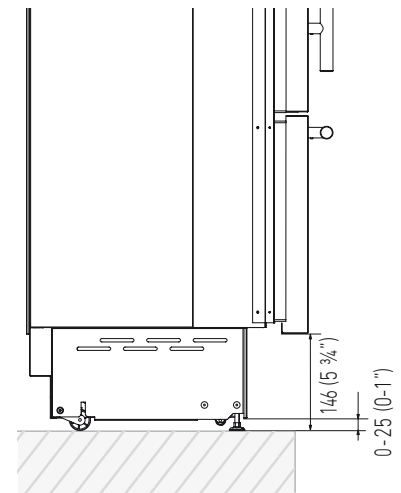
Series: X-Pro



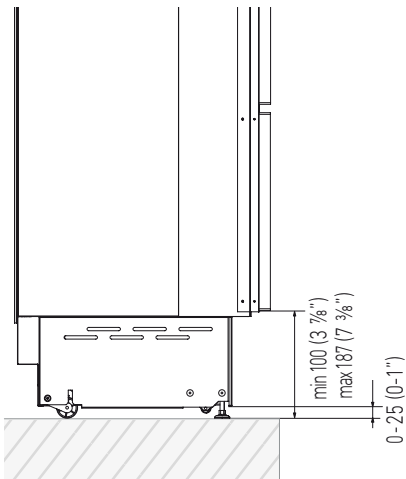
Series: County



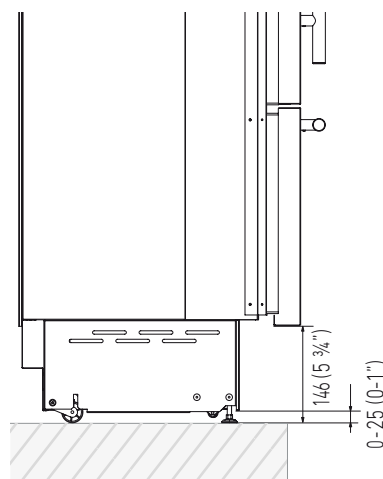
Series: Classic



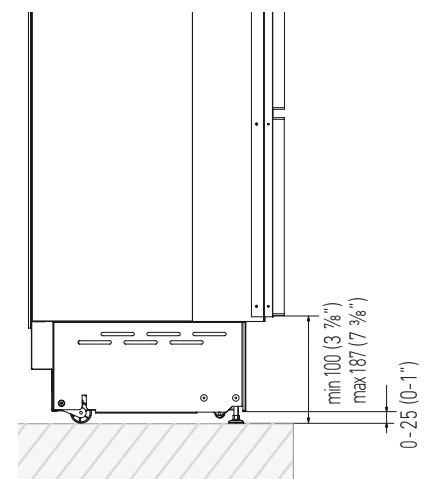
Series: Integrated



Series: Brilliance Classic



Series: Brilliance Integrated

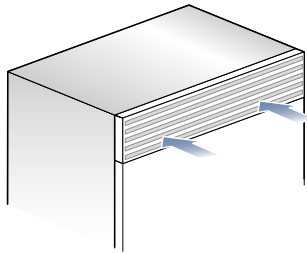


Based on the adjustment of the feet and the height of the panel from the floor, the customer defines the perforated plinth to be installed on the equipment.

6. COMPLETING THE INSTALLATION

X-PRO SERIES:

Ventilation is insured by a forced air system through a grille located in the upper part of the appliance. This grille should never be covered by panels or any other devices that could reduce its efficiency. Please refer to page 5-6 to ensure correct air circulation.



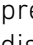

6.4 Post installation control

- ✓ Check that the front levelling feet have been properly installed.
- ✓ Check that the connection to the water system does not have any leaks and that the closing tap is easily accessible.
- ✓ Check that the electrical connection is correctly installed and that the multipole switch and socket are easily accessible.
- ✓ Check the perfect alignment of the appliance with adjacent structures.
- ✓ Check that all adhesive tape and external or internal temporary protective devices have been removed.
- ✓ Check the perfect closing of the doors and the smooth sliding of the drawers and shelves.

6.5 Start up

> To start the appliance, connect the plug to the electrical mains: at this point, when opening the door, the control panel will usually visualize the message "Stand by", and all the panel keys be off

Stand by

> To turn on all the appliance compartments, press the Unit  button for three seconds. The display will show the message "Initial test" for approx. 2 minutes. After this phase the compressors will start up and remain on until the default temperature set up in the factory is reached. Do bear in mind that this condition could last several hours. If the appliance is provided with an Ice Maker, prior to switching it on make sure that the water filter cartridge is installed, then fill the water system. To this purpose switch off the Ice Maker and perform a manual clean procedure. At the end switch the Ice Maker on again by touching the  button.



> For further information about the appliance operation, refer to the User Manual.



If at the first start - up the message Stand by does not appear, but other messages appear, such as Fridge too warm, Fresco too warm, Freezer too warm, or sound signals are activated, it means that the appliance has already started the cooling process. If this is the case, deactivate any possible acoustic signals by pressing the Alarm button, close the door and wait until the set temperature is reached.



It is necessary to let the unit reach the correct temperature before foods are stored inside.



www.fhiaba.com
sales@fhiaba.com
Tel. +39 0434 420160
Info Line 800-344222

