

Humidifier

User's manual

EN



SENCOR®

SHF 910BL / SHF 911GR

Before first use, please read all instructions contained in this user's manual carefully, even if you are already familiar with using similar products. Only use this product in accordance with the instructions described in the user's manual. Keep this user's manual in a safe place where it can be easily retrieved for future use.

We recommend saving the original cardboard box, packaging material, purchase receipt and responsibility statement of the vendor and warranty card for at least the duration of the legal liability for unsatisfactory performance or quality. In the event of transportation, we recommend that you pack the appliance in the original box from the manufacturer.

EN-1

TABLE OF CONTENTS

IMPORTANT SAFETY INSTRUCTIONS	3
DESCRIPTION OF THE HUMIDIFIER	5
PLACEMENT OF THE HUMIDIFIER AND FILLING UP THE WATER TANK	6
USING THE HUMIDIFIER	7
CLEANING AND MAINTENANCE	7
TROUBLESHOOTING	8
TECHNICAL SPECIFICATIONS	9
INSTRUCTIONS AND INFORMATION REGARDING THE DISPOSAL OF USED PACKAGING MATERIALS	10
DISPOSAL OF USED ELECTRICAL AND ELECTRONIC EQUIPMENT	10

IMPORTANT SAFETY INSTRUCTIONS READ CAREFULLY AND STORE FOR FUTURE USE.

- This appliance may be used by children 8 years of age and older and by persons with physical or mental impairments or by inexperienced persons, if they are properly supervised or have been informed about how to use the product in a safe manner and understand the potential dangers. Children must not play with the appliance. Cleaning and maintenance that may be performed by the user must not be performed by unsupervised children.
- The appliance is designed for use in households, offices and similar types of areas. Always install it on an even, dry and stable surface. Do not place it in the vicinity of an open flame, gas appliances or devices that are sources of heat and do not expose it to direct sunlight.
- Before connecting the appliance to a power socket, check that the technical details on its rating label match the electrical voltage in the socket.
- Do not use the appliance in rooms where there is a risk of flammable gases or chemical vapours leaking or in rooms that are very dusty. When the appliance is running, it must be located at a sufficient distance from curtains or drapes and at least 1 metre from electrical or electronic devices or materials sensitive to moisture in order not to damage them by the effect of increased humidity.
- Do not replace any part of this appliance with parts or accessories from another manufacturer.
- Only fill the water tank with clean cold water without any additions. Do not pour water into the water tank through the steam outlet.
- Before putting the appliance into operation, check that it is properly assembled and that the water tank is filled.

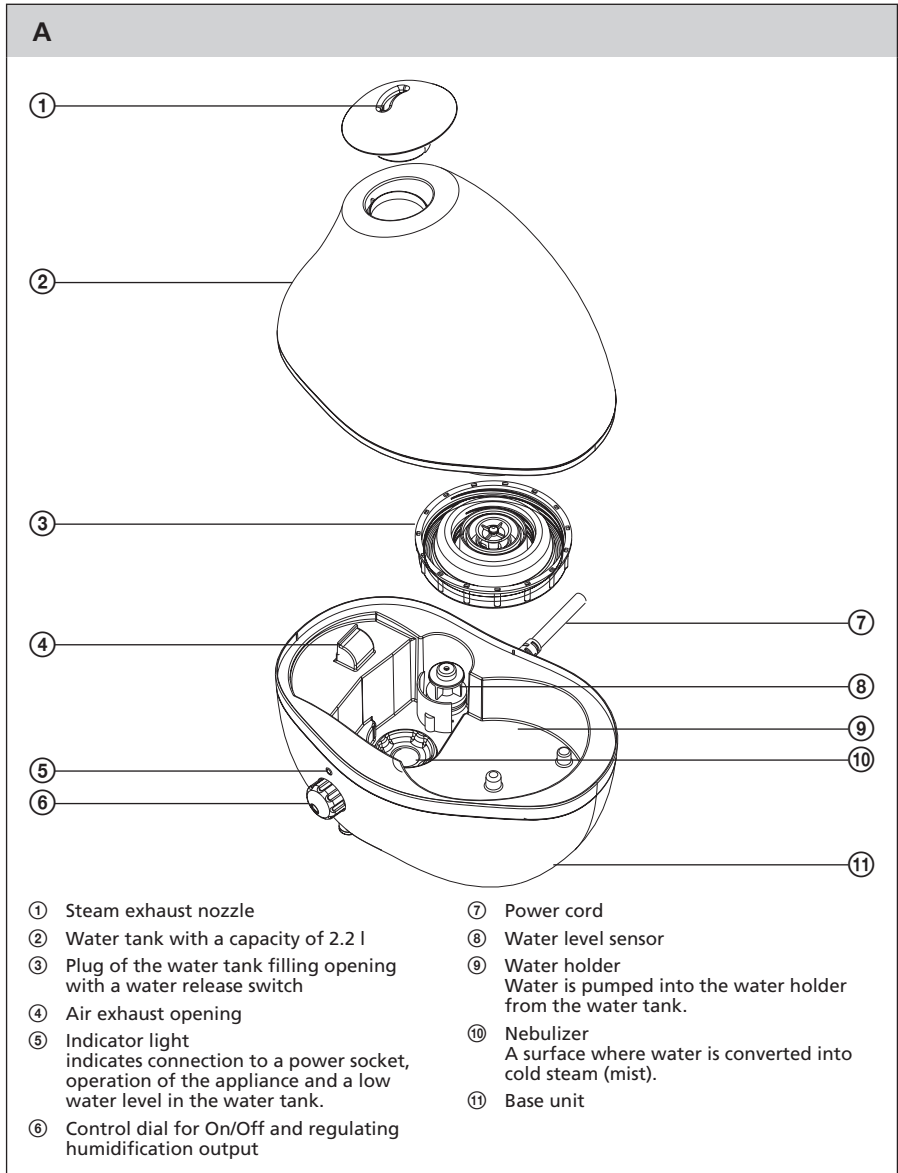
- Do not cover the appliance when it is running. Do not insert any items into the steam outlet or the ventilation openings and make sure that none of these openings are blocked by foreign objects.
- As a result of increased humidity in the room, water may condensate on window panes or interior furnishings. If this situation arises, turn the appliance off.
- Always turn off the appliance and disconnect it from the power socket, before filling up the water tank, installing, removing, moving or cleaning it.
- Be especially careful not to spill water when carrying the appliance with water in the water tank.
- To avoid potential injury by electric shock, do not submerge any part of the appliance's base unit in water or any other liquid.
- Do not touch the nebulizer (surfaces for the condensation of water) with sharp objects in order not to damage it.
- Do not disconnect the appliance from the power socket by pulling on the power cord. This could damage the power cord or the power socket. Disconnect the cord from the power socket by gently pulling the plug of the power cord.
- If the power cord is damaged, have it replaced at a professional service centre. It is forbidden to use the appliance if it has a damaged power cord or plug.
- Do not use the appliance if it is not working correctly, if it has been damaged or has been submerged in water. To avoid the danger of injury by electrical shock, do not repair the appliance yourself or make any adjustments to it. Have all repairs or adjustments of the appliance performed at an authorised service centre. By tampering with the appliance you risk voiding your legal rights arising from unsatisfactory performance or quality warranty.

Humidifier

SHF 910BL / SHF 911GR

EN

DESCRIPTION OF THE HUMIDIFIER



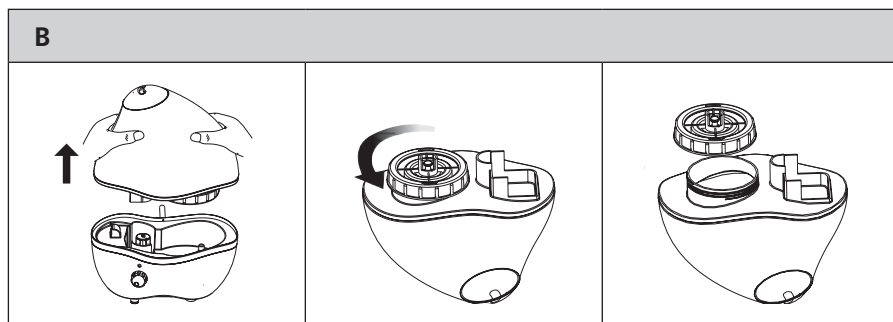
EN-5

Humidifier

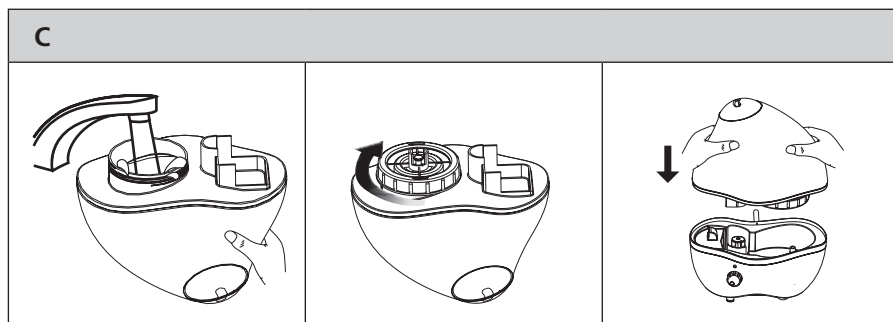
SHF 910BL / SHF 911GR

PLACEMENT OF THE HUMIDIFIER AND FILLING UP THE WATER TANK

- Always place the humidifier on an even, dry and stable surface at a minimum distance of:
 - 60 cm from the floor;
 - 30 cm from walls or sides of furniture and at a sufficient distance from curtains or drapes;
 - 100 cm from electrical and electronic devices or materials sensitive to moisture to prevent their damage by the effects of increased humidity.
- Check that the humidifier is turned off and disconnected from the el. power socket. Lift the water tank A② off the base unit A①. Turn it upside down and anticlockwise unscrew the plug A③ of the filling opening of the water tank.



- Fill the water tank A② with clean cold tap water. After filling up the water tank A②, properly screw in the plug A③ clockwise. Turn the water tank A② upside down with the plug A③ facing downwards and place it back on to the base unit A① so that both parts fit into each other properly. When the water tank A② is placed on the base unit A①, water will start flowing into the water holder A⑨.



Attention:

Fill the water tank A② with water that has a max. temperature of 40 °C. Do not fill it up with water that is hotter. The water tank A② has a maximum capacity of 2.2 litres of water. If you need to move the humidifier, be especially careful not to spill the water contained in the water holder A⑨.

USING THE HUMIDIFIER

1. Check that the humidifier is correctly assembled. Connect the power cord to an el. power socket. The indicator light A⑤ will be lit red. Turn the control dial A⑥ clockwise to turn on the humidifier. After turning on the humidifier, the indicator light A⑤ will be lit green. Set the required steam output. Turn the control dial A⑥ clockwise to increase steam output and turn it anticlockwise to reduce steam output. The humidifier will start producing cold steam within a few moments. Ensure that during operation that the steam is not directed at furniture or items sensitive to moisture.



Attention:

If the humidifier was transported at temperatures below the freezing point, first put it into room temperature and wait approx. 30 minutes before turning it on.

Use the humidifier at an ambient temperature in the range of 5 to 40 °C. In the event that the ambient temperature falls below 0 °C, turn the humidifier off and remove the water inside the water tank A② and the water holder A⑨, to prevent it from being damaged.

Never lift the water tank A② out of the base unit A⑪ or touch the nebulizer A⑩ when the humidifier is running.

2. You can increase or decrease the steam output at any time by turning the control dial A⑥. If you fill the tank A② all the way to the edge, the expected operating time is approximately 7 hours with the steam output set to maximum intensity.
3. If water in the water holder A⑨ starts running out, the indicator light A⑤ will start flashing. When the water level falls below a certain level, the humidifier will automatically stop producing steam and the indicator light A⑤ will turn off. This is a safety function to prevent the nebulizer A⑩ from being damaged. If necessary, fill up the water according to the instructions in point 2 and 3 in chapter Placement of the humidifier and filling up the water tank. Then you can start the humidifier again.
4. To turn off the humidifier, turn the control dial A⑥ anticlockwise until you hear a click. The indicator light A⑤ will be lit red. Disconnect the humidifier from the el. power socket and clean it out according to the instructions contained in the chapter Cleaning and maintenance.

CLEANING AND MAINTENANCE

- Before cleaning the humidifier, turn it off and disconnect it from the el. power socket.
- Please adhere to the following instructions relating to the cleaning and maintenance of the humidifier. Otherwise its performance may be negatively affected and undesirable microorganisms may multiply inside the humidifier.

Clean after every use

- Take the water tank A② out of the base unit A⑪ and take it to the sink. Turn it upside down and screw out the plug A③. Remove any remaining water from the water tank A② and then rinse it out with clean water. Dry the surface of the water tank A② with a fine wiping cloth and screw in the plug A③.
- Remove the water from the water holder A⑨ and wipe it dry using a fine clean cloth.

Thorough cleaning (once per week)

- Remove water from the water tank A② and the water holder A⑨.
- Pour approximately 100 ml of vinegar into the water holder A⑨ and allow it to act for 15 minutes. Using a brush with soft bristles, remove the limescale deposits in the water holder A⑨ and the nebulizer A⑩. Then clean out all the remaining limescale and vinegar using a cloth dampened in clean water and wipe dry.

Humidifier

SHF 910BL / SHF 911GR

- Clean the outer surface of the humidifier as required using a fine clean cloth lightly dampened in lukewarm water.
- For cleaning, do not use abrasive cleaning products and solvents as this could damage the surface of the appliance.


Attention:

Do not leave water in the water tank A② or in the water holder A⑨ for longer than a week. Do not submerge the base unit A⑪ in water or rinse it under running water.

TROUBLESHOOTING

Problem	Possible cause	Solution
The indicator light A⑤ is not lit and the humidifier is not producing steam despite the required steam out being set.	The humidifier is connected to a faulty power socket or is not connected to a power socket at all.	Connect the humidifier to a working power socket.
	There is not enough water in the water holder A⑨ or there is no water at all.	Turn off the humidifier unit and disconnect it from the power socket. Fill up the water tank A② with cold clean water. Assemble the humidifier, connect it to a power socket and start it again.
An odour can be sensed in the steam.	The odour may be sensed when the humidifier is used for the first time.	Open the water tank plug A③ and allow the water tank A② to ventilate for at least 12 hours.
	Inside the water tank A② / water holder A⑨ there is dirty water or you have left water in the water tank A② / water holder A⑨ for too long.	Turn off the humidifier and disconnect it from the power socket. Remove the water from the water tank A② and from the water holder A⑨. Clean everything. Fill up the water tank A② with cold clean water. Connect the humidifier to a power socket and start it again.
The humidifier is producing an insufficient amount of steam or is not producing any steam at all.	There is not enough water in the water holder A⑨ or there is no water at all.	Turn off the humidifier and disconnect it from the power socket. Fill up the water tank A② with cold clean water. Connect the humidifier to a power socket and start it again.
	The control dial A⑥ is set to the off position or a low steam output intensity is set.	Turn the control dial A⑥ clockwise to turn on the humidifier. To increase the steam output intensity, keep turning the control dial A⑥ clockwise.
	The nebulizer A⑩ is clogged with mineral deposits.	Turn off the humidifier and disconnect it from the power socket. Clean out the nebulizer A⑩ according to the instructions in chapter Cleaning and maintenance.
	Inside the water tank A② / water holder A⑨ there is dirty water or you have left water in the water tank A② / water holder A⑨ for too long.	Turn off the humidifier and disconnect it from the power socket. Remove the water from the water tank A② and from the water holder A⑨. Clean everything. Fill up the water tank A② with cold clean water. Connect the humidifier to a power socket and start it again.
	The water tank A② is not correctly seated in the base unit A⑪.	Place the water tank A② on to the base unit A⑪ so that both parts fit together properly.
	The nebulizer A⑩ or fan is not working.	Contact an authorised service centre.

Humidifier

SHF 910BL / SHF 911GR

EN

Problem	Possible cause	Solution
The humidifier or windows in the room are fogging up.	The room in which the humidifier is located is either too small or too humid.	Lower the steam output intensity to minimum by turning the control dial AⓈ anticlockwise or turn the humidifier off completely.
Mineral deposits quickly accumulate on the nebulizer AⓈ.	You are using water that is too hard.	Use softer water.

TECHNICAL SPECIFICATIONS

Rated voltage	220–240 V
Rated frequency	50/60 Hz
Rated power input	30 W
Electric shock protection class	II
Noise level	35 dB(A)
Water tank capacity	2.2 l
Humidifying output	350 (±35) ml/h
Operating time per single fill up	up to 7 hours at max. output
Recommended room area	20 m ²
Dimensions (width x depth x height)	23 x 17.5 x 24.5 cm
Length of the power cord	185 cm
Weight	950 g

The declared noise emission level of the appliance is 35 dB(A), which represents a level A of acoustic power with respect to a reference acoustic power of 1 pW.

Explanation of technical terminology

Safety class for electric shock protection:

Class II – Electric shock protection is provided by double or heavy-duty insulation.

Amendments to text and technical parameters are reserved.

INSTRUCTIONS AND INFORMATION REGARDING THE DISPOSAL OF USED PACKAGING MATERIALS

Dispose of used packaging material at a site designated for waste in your municipality.

DISPOSAL OF USED ELECTRICAL AND ELECTRONIC EQUIPMENT



This symbol on products or original documents means that used electric or electronic products must not be added to ordinary municipal waste. For proper disposal, renewal and recycling hand over these appliances to determined collection points. Alternatively, in some European Union states or other European countries you may return your appliances to the local retailer when buying an equivalent new appliance.

Correct disposal of this product helps save valuable natural resources and prevents potential negative effects on the environment and human health, which could result from improper waste disposal. Ask your local authorities or collection facility for more details. In accordance with national regulations penalties may be imposed for the incorrect disposal of this type of waste.

For business entities in European Union states

If you want to dispose of electric or electronic appliances, ask your retailer or supplier for the necessary information.

Disposal in other countries outside the European Union.

This symbol is valid in the European Union. If you wish to dispose of this product, request the necessary information about the correct disposal method from the local council or from your vendor



This appliance meets all the basic requirements of EU directives related to it.