



**CAPSULE COFFEE MAKER  
WITH FROTHER**  
Instruction Manual



Thank You for your purchase

Register & sign up for special  
announcements and trendy recipes!

Tell us what you think!  
Rate, review or ask us a question.

@bellahousewares.com  
#getinspired



**BellaLife**



**BellaLifestyle**

## TABLE OF CONTENTS

### **Capsule Coffee Maker instruction manual**

Important safeguards.....	1-3
Notes on the cord .....	3
Notes on the plug .....	4
Plasticizers warning.....	4
Electric power.....	4
Getting to know your coffee maker.....	5
Before using for the first time .....	6
Using your coffee maker .....	6-7
Programming the water volume.....	7
Reset to factory settings.....	7
Cleaning and maintenance .....	8
Descaling .....	8
Storing.....	9

### **Milk Frother instruction manual**




Important safety instructions .....	10-12
Notes on the plug .....	12
Notes on the cord .....	13
Getting to know your milk frother.....	14
Before the first use .....	15
Operation of your milk frother .....	15-17
I. Frothing and heating .....	15-16
li. Only frothing separately, without heating.....	16
lii. Only heating separately, without frothing.....	16-17
Cleaning and maintenance .....	17
Warranty .....	19-20

# CAPSULE COFFEE MAKER Instruction Manual

## IMPORTANT SAFEGUARDS

When using electrical appliances, basic safety precautions should always be followed including the following:

- 1. READ ALL INSTRUCTIONS.**
2. Make sure that your outlet voltage corresponds to the voltage stated on the rating label of the coffee maker.
3. To protect against fire, electric shock and injury to persons do not immerse cord, plug or unit in water or other liquid.
4. Close supervision is necessary when any appliance is used by or near children.
5. Unplug from outlet when not in use and before cleaning. Allow unit to cool before putting on or taking off parts, and before cleaning the appliance.
6. Do not operate any appliance with a damaged cord or plug or after the appliance malfunctions or has been damaged in any manner. Return appliance to an authorized service facility for examination, repair or adjustment.
7. The use of accessories not recommended by the appliance manufacturer may result in fire, electric shock or injury to persons.
8. Do not let cord hang over edge of table or counter or touch hot surface.

- 
- 
- 
9. Do not place on or near a hot gas or electric burner, or in a heated oven.
  11. Only fill the tank with clean and cold water. Never fill the tank with mineral water, milk or other liquids.
  12. Do not let the coffee maker operate without water.
  13. There is extremely hot water in the capsule holder during the brew process. To avoid risk of injury, do not lift the brew handle during brewing process.
  14. Never insert fingers into the capsule holder to avoid burning or injuring fingers.
  15. To disconnect, remove plug from wall outlet. Always hold the plug. But never pull from the cord.
  16. Some parts of the appliance are hot when operated, so do not touch with hands. Use handles or knobs only.
  17. Do not leave the appliance on unattended.
  18. The temperature of operating or storing the unit should be more than freezing point 32°F (0°C).
  19. Do not leave the appliance exposed to atmospheric agents (sun, rain, etc)
  20. This appliance is not intended for used by persons (including children) with reduced physical, sensory or mental capabilities, or lack of experience and knowledge, unless they have been given supervision or instruction concerning use of the appliances by a person responsible for their safety.
  21. Children should be supervised to ensure that they do not play with the appliance.

- 22. Scalding may occur if the lid is removed during the brewing cycles
- 23. Do not use appliance for other than intended use.
- 24. Do not use for commercial purpose.
- 25. Do not use outdoors.

# FOR HOUSEHOLD USE ONLY

## SAVE THESE INSTRUCTIONS

### NOTES ON THE CORD

- A. A short power-supply cord is provided to reduce the risk resulting from becoming entangled in or tripping over a longer cord.
- B. Longer extension cords are available and may be used if care is exercised in their use.
- C. If an extension cord is used:
  - 1. The marked electrical rating of the cord set or extension cord should be at least as great as the electrical rating of the appliance;
  - 2. The cord should be arranged so that it will not drape over the countertop or tabletop where it can be pulled on by children or tripped over unintentionally;
  - 3. If the appliance is of the grounded type, the cord set or extension cord should be a grounding-type 3-wire cord.

## NOTES ON THE PLUG

This appliance has a polarized plug. To reduce the risk of electric shock, this plug is intended to fit into a polarized outlet only one way. If the plug does not fit fully into the outlet, reverse the plug. If it still does not fit, contact a qualified electrician. Do not attempt to modify the plug in any way.

## PLASTICIZER WARNING

**CAUTION:** The feet on the base of unit contain substances in the plastic, known as plasticizers, that may migrate to the finish of a tabletop or countertop. To prevent this, place nonplastic coasters or placemats between the appliance and the countertop or tabletop. Failure to do so may cause the finish to darken; permanent blemishes or stains can appear.

## ELECTRIC POWER

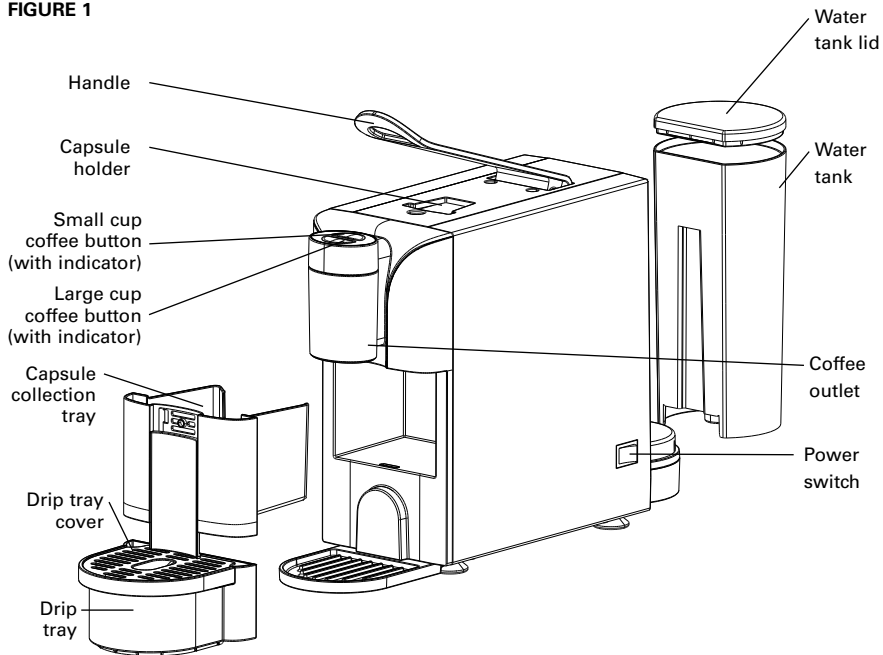
If the electrical circuit is overloaded with other appliances, your appliance may not operate properly. It should be operated on a separate electrical circuit from other appliances.

# GETTING TO KNOW YOUR COFFEE MAKER

## PARTS DEFINED

Product may vary slightly from illustration

FIGURE 1



## Before Using for the First Time

1. Remove the water tank from the machine, pull the red silicone plug by the tab to remove and discard. Remove the warning sticker from the water tank. Fill the water tank with drinkable water. Do not exceed the MAX line.
2. With the lid on the water tank place the water tank straight onto the base.
3. You will see water bubbles flowing upwards, this is a sign that the water tank has been inserted correctly.
4. Turn the unit on by flipping the side button. Do not insert capsule.
5. Place a cup on the drip tray. Press the double cup button when both lights are blinking. The unit will remember the cup size selection and water will begin to dispense in a few seconds.
6. If indicator lights blink rapidly and no water is dispensed, turn unit off, wait 2 minutes, and repeat steps 2 through 4.

**NOTE:** While pressing down the large cup or small cup coffee buttons, the machine may produce a pumping sound, which means the water is starting to brew the coffee.

## USING YOUR COFFEE MAKER

1. Fill the removable water tank with drinkable water. The water level should not exceed the MAX level marked on the tank.
2. Open the handle by lifting it up completely and insert a coffee capsule. Close the handle by pushing it down completely.
3. Position a cup on the drip tray cover. Make sure the drip tray is assembled in place.  
**CAUTION:** This appliance is designed for Nespresso Original Style Capsules, available at [bestbuy.com](http://bestbuy.com) and other grocery outlets
4. Plug the power cord into the outlet. Press the power switch to "I" position and then both the indicator lights of the small cup and large cup buttons start to flash.
5. Press the small cup or large cup button. The unit will remember the choice.  
**CAUTION:** Do not open the handle during the brew cycle to avoid spillage
6. The corresponding indicator light will start to flash and coffee will begin to fill the cup. Once the desired quantity has been reached, the coffee will stop flowing and the lights will be solidly lit.  
**NOTE:** The unit will enter the standby mode and both the indicator lights will turn off if there is no operation within 4 minutes.  
**NOTE:** Coffee volume will vary slightly. Small cup average is approximately 1 to 1.5 oz. (30-45ml ), while the large cup average is 2 to 3 oz. (70-90 mL).

**NOTE:** While brewing coffee, you can interrupt the brewing process by pressing your selected coffee button once. To continue brewing, just press the button again.

7. During the brewing process, both the indicator lights of the small and large cup buttons will flash quickly if there is not enough water in the water tank, indicating that you that you need to add more water to the tank. Before refilling the water tank, first press the power switch to the OFF "O" position and then remove the water tank to refill. After refilling it, replace the water tank and make sure that it is placed properly into position. You may now continue brewing coffee.
8. Once you have finished brewing coffee, always expel the used capsule. Capsules are automatically discarded into the capsule collection tray by simply opening the handle.  
**CAUTION:** Never open the handle during brewing cycles.  
**NOTE:** The appliance will enter into standby mode and both the indicator lights will turn off if there is no operation within 4 minutes. To make another cup, insert a new capsule into the unit.
9. If you want to make another cup of coffee, insert a new capsule in the unit.
10. Empty the capsule collection tray and rinse the capsule collection tray, drip tray and water tank frequently.
11. When not in use, turn the coffee maker off and disconnect the power supply.

## PROGRAMMING THE WATER VOLUME

1. Add fresh water to the tank and switch unit to the ON "I" position..
2. Once indicator lights stop flashing, insert capsule and place a cup on drip tray under coffee spout.
3. Press and hold either the single or double cup button. Release button once desired volume is reached.
4. New volume is now stored.  
**NOTE:** Maximum volume setting for either cup is 100 mL or 3.3 oz.

## RESET TO FACTORY SETTINGS

1. Press and hold down both the small and large cup buttons for 5 seconds.
2. The buttons will flash quickly 3 times to confirm the unit has been reset.
3. Both the small and large cup buttons will continue to flash normally.
4. Solid lights mean the unit is ready to use.

## CLEANING AND MAINTENANCE

Be sure to unplug this appliance and let it cool down before cleaning. To protect against electrical shock, do not immerse the cord, plug or unit in water or liquid. After each use, always make sure plug is removed from the wall outlet. We recommend that the following is performed on a periodical basis:

1. Prepare one or more cups to wash the coffee distributor.
2. Use a dry cloth to clean the removable water tank.
3. Empty the capsule collection tray and clean it.
4. Clean the capsule holder with a dry cloth.
5. Use a damp cloth to gently wipe the drip tray cover. Empty the drip tray and rinse it.
6. Clean the outside of the machine using a damp cloth. Never submerge the machine.
7. Replace all parts.

This appliance requires little maintenance. It contains no user serviceable parts. Any servicing requiring disassembly other than cleaning must be performed by a qualified appliance repair technician.

## DESCALING

To keep the coffee maker operating efficiently, clean away the mineral deposits left by water regularly.

1. Fill the water tank with water and descaler to the MAX line (the ratio of water to descaler is 4:1). Only use household descaler. You can use white vinegar instead of descaler.
2. Press the Power switch to ON "I" position and the indicator lights of the small cup and big cup buttons will start to flash. Wait until the indicator lights are solidly lit.
3. Position a container on the drip tray cover.
4. Press the large cup button and allow the liquid to flow. Once the desired quantity has been reached, the water will stop flowing out.
5. Wait for 20 minutes with the machine turned on.
6. Press the large cup button until all of the water is used up.
7. Rinse the tank well and fill with clean water. Press the large cup button until all of water is used up.

## STORING

1. Never store coffee maker while still plugged in.
2. Unplug coffee maker and allow it to cool.
3. Store coffee maker fully assembled.
4. Close the handle.
5. Store coffee maker in its box or in a cool, dry place.


# MILK FROTHER Instruction Manual

## IMPORTANT SAFETY INSTRUCTIONS

When using electrical appliances, basic safety precautions should always be followed, including the following:


1. Read all instructions before using.
2. Before connecting the appliance to the power supply, check that the voltage indicated on the appliance corresponds with the voltage in your home. If this is not the case, contact your dealer and do not use the kettle.
3. The attached base can not be used for other than intended use.
4. Do not operate the appliance without anything in it to avoid damaging the heat elements.
5. Unplug from the outlet when not in use and before cleaning. Allow to cool before putting on or taking off parts, and before cleaning the appliance.
6. Do not let the cord hang over the edge of a table or counter or touch a hot surface.
7. Do not place on or near a hot gas or electric burner or in a heated oven.
8. Ensure that the appliance is used on a firm and flat surface out of reach of children, this will prevent the appliance from overturning and prevent damage or injury.

9. Keep hands and utensils out of container while blending to reduce the risk of severe injury to persons or damage to the blender.
10. To protect against a fire, electric shock or personal injury, do not immerse cord, electric plugs, jar or base in water or other liquids.
11. Close supervision is necessary when any appliance is used by or near children.
12. Do not touch the hot surface. Use the handle or the button.
13. Extreme caution must be used when moving an appliance containing hot water.
14. Avoid contacting moving parts.
15. The use of attachments not recommended or sold by manufacturer may cause fire, electric shock or injury.
16. Do not operate any appliance with a damaged cord or plug or after the appliance malfunctions, or is dropped or damaged in any manner. Return appliance to the nearest authorized service facility for examination, repair or electrical or mechanical adjustment.
17. The appliance only used for frothing and heating milk. Do not use the appliance for other than intended use.
18. This appliance has been incorporated with a grounded plug. Please ensure the wall outlet in your house is well earthed.
19. This appliance is not intended for used by persons (including children) with reduced physical, sensory or mental capabilities, or lack of experience and knowledge, unless they have been given supervision or instruction concerning use of the appliances by a person responsible for their safety.
20. Always operate the appliance with cover in place. Scalding may occur if the lid is removed during the brewing cycles.


- 
21. Never place this appliance on or near a hot gas or an electric burner or where it could touch a heated appliance.
  22. This appliance is intended to be used in household and similar applications
  23. Children should be supervised to ensure that they do not play with the appliance.
  24. Do not use outdoors.
  25. To disconnect, turn any control to “off”, then remove plug from wall outlet.

## **SAVE THESE INSTRUCTIONS.**

### **NOTES ON THE PLUG:**



This appliance has a polarized plug (one blade is wider than the other). To reduce the risk of electric shock, this plug is intended to fit into a polarized outlet only one way. If the plug does not fit fully into the outlet, reverse the plug. If it still does not fit, contact a qualified electrician. Do not attempt to modify the plug in any way.



## NOTES ON THE CORD:

- a) A short power-supply cord (or detachable power-supply cord) is provided to reduce risks resulting from becoming entangled in or tripping over a longer cord.
- b) Longer detachable power-supply cords or extension cords are available and may be used if care is exercised in their use.
- c) If a long detachable power-supply cord or extension cord is used:
  - 1) The marked electrical rating of the detachable power-supply cord or extension cord should be at least as great as the electrical rating of the appliance;
  - 2) If the appliance is of the grounded type, the extension cord should be a grounding type 3-wire cord; and
  - 3) The longer cord should be arranged so that it will not drape over the counter top or table top where it can be pulled on by children or tripped over.

## PLASTICIZER WARNING

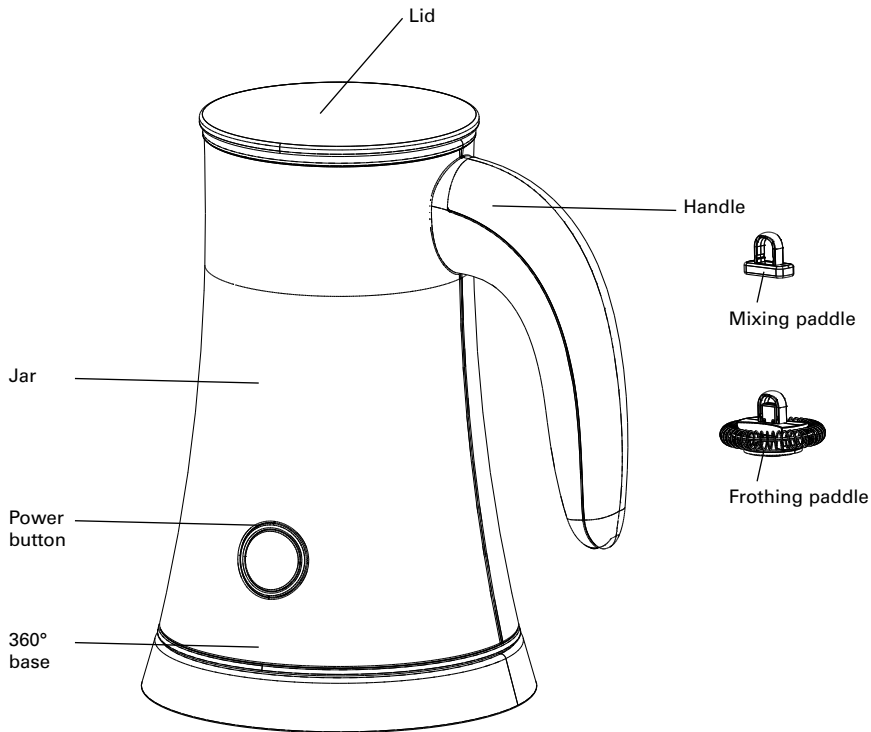
**CAUTION:** The feet on the base of unit contain substances in the plastic, known as plasticizers, that may migrate to the finish of a tabletop or countertop. To prevent this, place nonplastic coasters or placemats between the appliance and the countertop or tabletop. Failure to do so may cause the finish to darken; permanent blemishes or stains can appear.

## ELECTRIC POWER

If the electrical circuit is overloaded with other appliances, your appliance may not operate properly. It should be operated on a separate electrical circuit from other appliances.

## Getting to know your milk frother

Product may vary slightly from illustration



## BEFORE THE FIRST USE

The appliance can be used for finishing the following tasks separately: I. frothing and heating milk; II. only frothing separately, without heating; III. only heating separately, without frothing.

1. Before using your milk frother, clean all the parts according to the section “CLEANING AND MAINTENANCE”.
2. Important: do not wash any parts in the dishwasher, and do not immerse the jar in water. This may permanently damage the product and void the warranty.
3. The appliance is equipped with two accessories of mixing paddle and frothing paddle, the mixing paddle is used for mixing milk during heating to prevent from sticking. The frothing paddle is used for frothing milk during heating or is used for frothing separately, but no heating. Select desired accessory according to your task.  
**NOTE:** the max capacity of the jar is 450ml.

## OPERATION OF YOUR MILK FROTHER

### I. FROTHING AND HEATING

1. Place the appliance on a flat surface.
2. Select frothing paddle, then open the lid and insert the frothing paddle onto the shaft on the bottom of jar.
3. Fill the jar with the desired amount of milk , and replace the lid.  
**NOTE:** the max milk quantity permitted to add is 100ml, to avoid milk overflowing after frothing.
4. Place the jar on the power base and connect the plug into a power outlet, the indicator will not light up.
5. Press the switch button once, the indicator will flash in red . Then the appliance will start to work,when the temperature of milk has achieved about  $65\pm 10$ , the heating element will stop heating and the frothing paddle will stop rotating automatically; the indicator will go out.  
**NOTE:** During operation, you can stop operating by pressing the switch button once.

6. When the appliance has stopped operating, open the lid, pour out the warmed and frothed milk to enjoy it.

**CAUTION:** Minimum 3 minutes rest time must be maintained between two continuous cycles, otherwise, the appliance will enter self-protection state automatically after working for 5 cycles continuously, the indicator will be illuminated blue and flash, the switch button will not be activated, after about 5 minutes, the appliance will enter standby state and you can continue operating the appliance.

7. Always turn off the milk frother and disconnect the power supply when not use.

## II. ONLY FROTHING SEPARATELY, WITHOUT HEATING

1. According to the 1-4 steps in the section of "Frothing and heating".
2. Press the switch button for three times continuously within 2s, the indicator will illuminate blue, the frothing paddle will rotate for frothing milk separately, but the heating element will not heat. And the appliance will automatically stop rotating after operating. The indicator will go out.

**NOTE:** During operation, you can stop operating by pressing the switch button once.

3. When the appliance has stopped operating, open the lid, pour out the frothed milk and enjoy it.

**CAUTION:** Minimum 3 minutes rest time must be maintained between two continuous cycles, otherwise, the appliance will enter self-protection state automatically after working for 5 cycles continuously, the working indicator will illuminate blue and flash, the switch button will not be activated, after about 5 minutes, the appliance will enter standby state and you can continue operating the appliance.


4. Always turn off the milk frother and disconnect the power supply when not use.

## III. ONLY HEATING SEPARATELY, WITHOUT FROTHING.

1. Place the appliance on a flat surface.
2. Select mixing paddle according to your task. Then open the lid, insert the mixing paddle onto the shaft on the bottom of jar.
3. Fill the jar with the desired amount of milk, and replace the lid.

**NOTE:** the max milk quantity permitted to add is 200ml, to avoid milk overflowing after mixing.



4. Place the jar on the power base and connect the plug into a power outlet. The indicator will not light up.

- 
5. Press the switch button twice continuously within 2s, the indicator will light red. Then the appliance will start to work. when the temperature of milk has achieved about  $65\pm 10$ , the heating element will stop heating and the mixing paddle will stop rotating automatically; the indicator will illuminate red again until unplugging the power outlet.  
**Note:** The rotation of mixing paddle is only used for avoiding sticking. It will not froth the milk.
  6. When the appliance has stopped operating, open the lid, pour out the warm milk and enjoy it.  
**CAUTION:** Minimum 3 minutes rest time must be maintained between two continuous cycles, otherwise, the appliance will enter self-protection state automatically after working for 5 cycles continuously, the indicator will be illuminated blue and flash, the switch button will not be activated, after about 5 minutes, the appliance will enter standby state and you can continue operating the appliance.
  7. Always turn off the milk frother and disconnect the power supply when not use.

## CLEANING AND MAINTENANCE

Always disconnect the appliance from the power outlet and allow it cooling down before cleaning.

**CAUTION:** Never immerse the jar, power base in water, or allow moisture to contact with these parts.

- 
1. Wash lid with water and mild detergent. The lid is not dishwasher safe component. Rinse thoroughly and dry.
  2. Remove the mixing paddle or frothing paddle, and wash them completely in warm water.
  3. Wash the inner of jar with a combination of a mild detergent and water and then wipe clean with a soft damp cloth.
  4. Wipe the appearance of jar with a soft damp cloth or cleaner, never use a poisonous cleaner.  
**NOTE:** Do not use chemical, steel, wooden or abrasive cleaners to clean the outside of the appliance to prevent the gloss loss.
- 

## Limited Two-Year Warranty

SENSIO Inc. hereby warrants that for a period of **TWO YEARS** from the date of purchase, this product will be free from mechanical defects in material and workmanship, and for 90 days in respect to non-mechanical parts. At its sole discretion, SENSIO Inc. will either repair or replace the product found to be defective, or issue a refund on the product during the warranty period.

### Exclusions:

The warranty does not cover normal wear of parts or damage resulting from any of the following: negligent use of the product, use of improper voltage or current, improper routine maintenance, use contrary to the operating instructions, disassembly, repair, or alteration by anyone other than qualified SENSIO Inc. personnel. Also, the warranty does not cover Acts of God such as fire, floods, hurricanes, or tornadoes.

SENSIO Inc. shall not be liable for any incidental or consequential damages caused by the breach of any express

The warranty is only valid for the original retail purchaser from the date of initial retail purchase and is not transferable. Keep the original sales receipt, as proof of purchase is required to obtain warranty validation. Retail stores selling this product do not have the right to alter, modify, or in any way revise the terms and conditions of the warranty.

or implied warranty. Apart from the extent prohibited by applicable law, any implied warranty of merchantability or fitness for a particular purpose is limited in time to the duration of the warranty. Some states, provinces or jurisdictions do not allow the exclusion or limitation of incidental or consequential damages, or limitations on how long an implied warranty lasts, and therefore, the above exclusions or limitations may not apply to you. The warranty covers specific legal rights which may vary by state, province and/or jurisdiction.

## How To Obtain Warranty Service:

You must contact Customer Service at our toll-free number: 1-866-832-4843. A Customer Service Representative will attempt to resolve warranty issues over the phone. If the Customer Service Representative is unable to resolve the problem, you will be provided with a case number and asked to return the product to SENSIO Inc. Attach a tag to the product that includes: your name, address, daytime contact telephone number, case number, and description of the problem.

Also, include a copy of the original sales receipt. Carefully package the tagged product with the sales receipt, and send it (with shipping and insurance prepaid) to SENSIO Inc.'s address. SENSIO Inc. shall bear no responsibility or liability for the returned product while in transit to SENSIO Inc.'s Customer Service Center.





**For customer service questions or comments**  
**1-866-832-4843**  
**[bellahousewares.com](http://bellahousewares.com)**

Sensio Inc.  
New York, NY 10016/USA

90113 R2