

## Hailstone Series

Optimum All-In-One liquid cooler with Industrial Fans

user manual

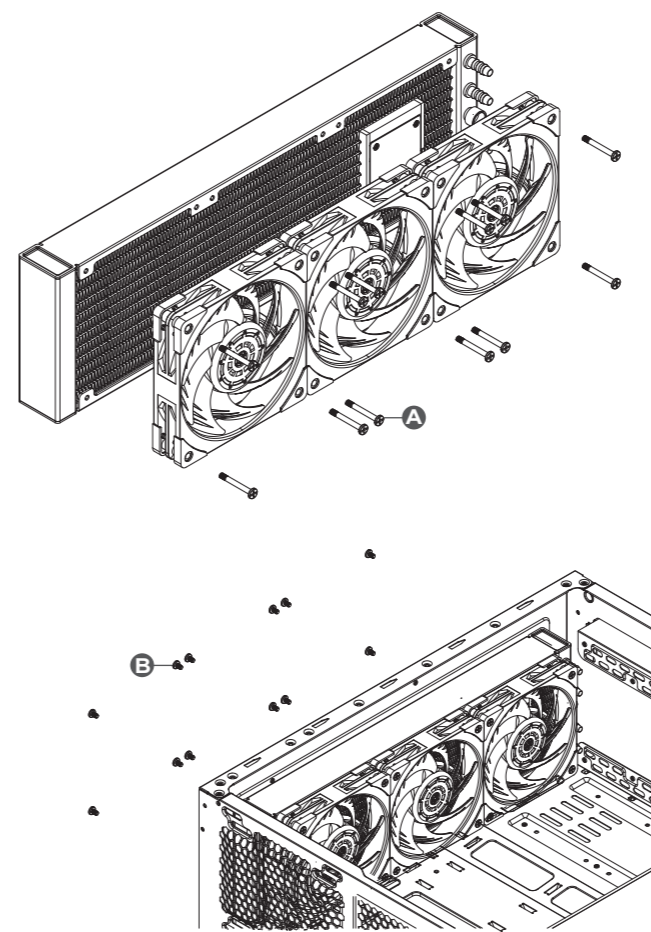
[www.silverstonetek.com](http://www.silverstonetek.com)

SilverStone Technology Co., Ltd.  
support@silverstonetek.com

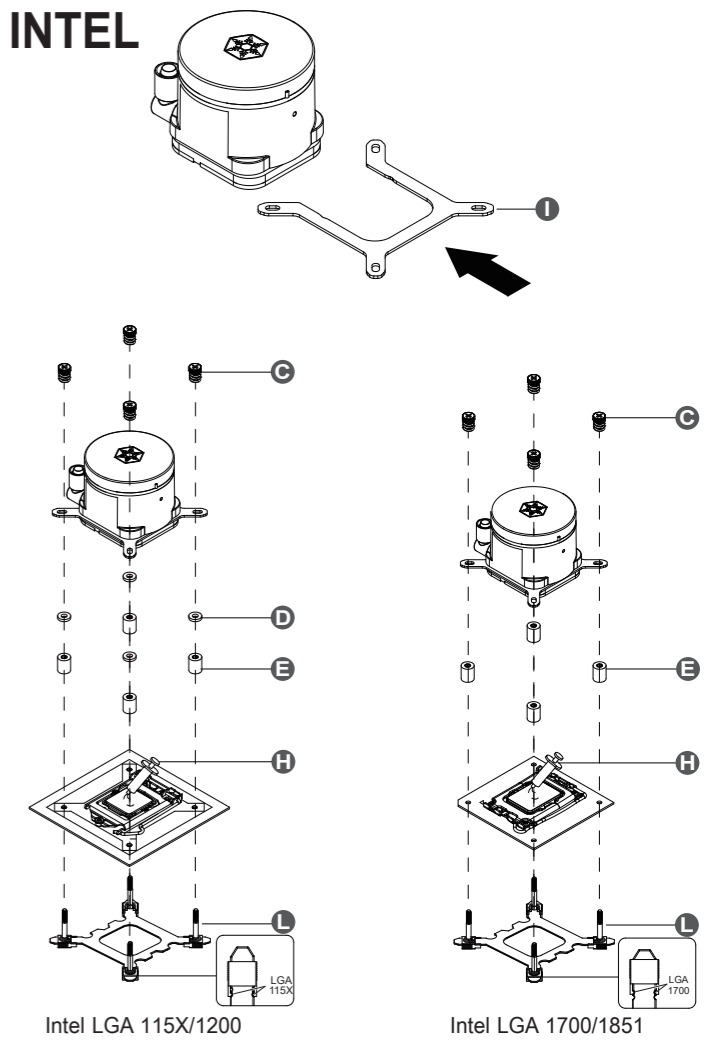
NO.G11256650

### Contents

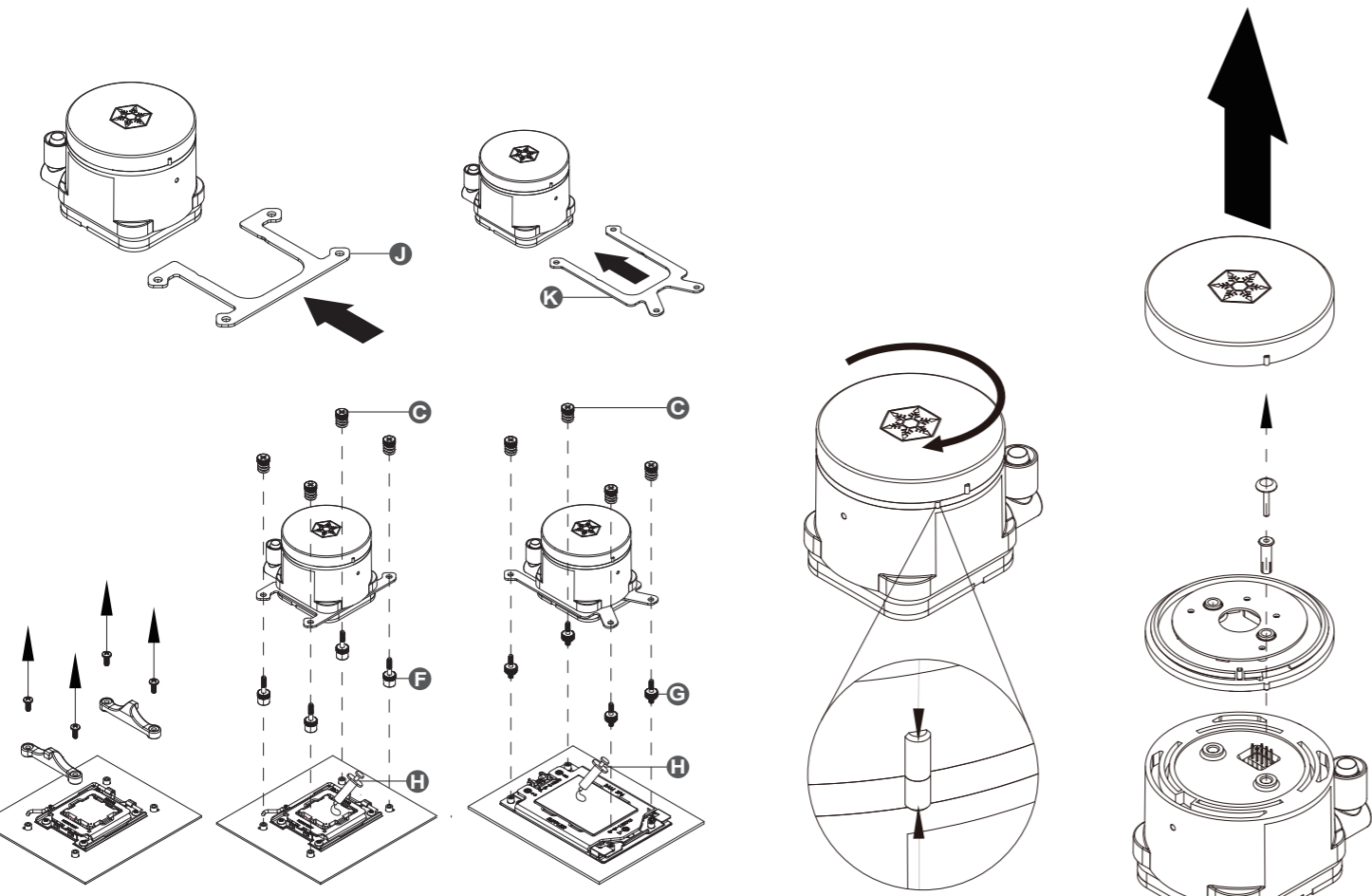
- |                                                            |                                                              |                                        |
|------------------------------------------------------------|--------------------------------------------------------------|----------------------------------------|
| <b>A</b> FAN SCREW x8 (240/280)<br>FAN SCREW x12 (360/420) | <b>B</b> CASE SCREW x8 (240/280)<br>CASE SCREW x12 (360/420) | <b>C</b> SPRING SCREW x4               |
| <b>D</b> LGA115x WASHER x4                                 | <b>E</b> LGA1700 SPACER x4                                   | <b>F</b> AM4/AM5 SCREW x4              |
| <b>G</b> TR4/TR5 SCREW x4                                  | <b>H</b> THERMAL GREASE x1                                   | <b>I</b> Intel CLIP x1                 |
| <b>J</b> AM4/AM5 CLIP x1                                   | <b>K</b> TR4/TR5 CLIP x1                                     | <b>L</b> Intel BACK PLATE x1           |
| <b>M</b> 4PIN PERIPHERAL ADAPTER CABLE x1                  | <b>N</b> 3 IN 1 FAN CABLE x1(360/420)                        | <b>O</b> 2 IN 1 FAN CABLE x1 (240/280) |



### INTEL

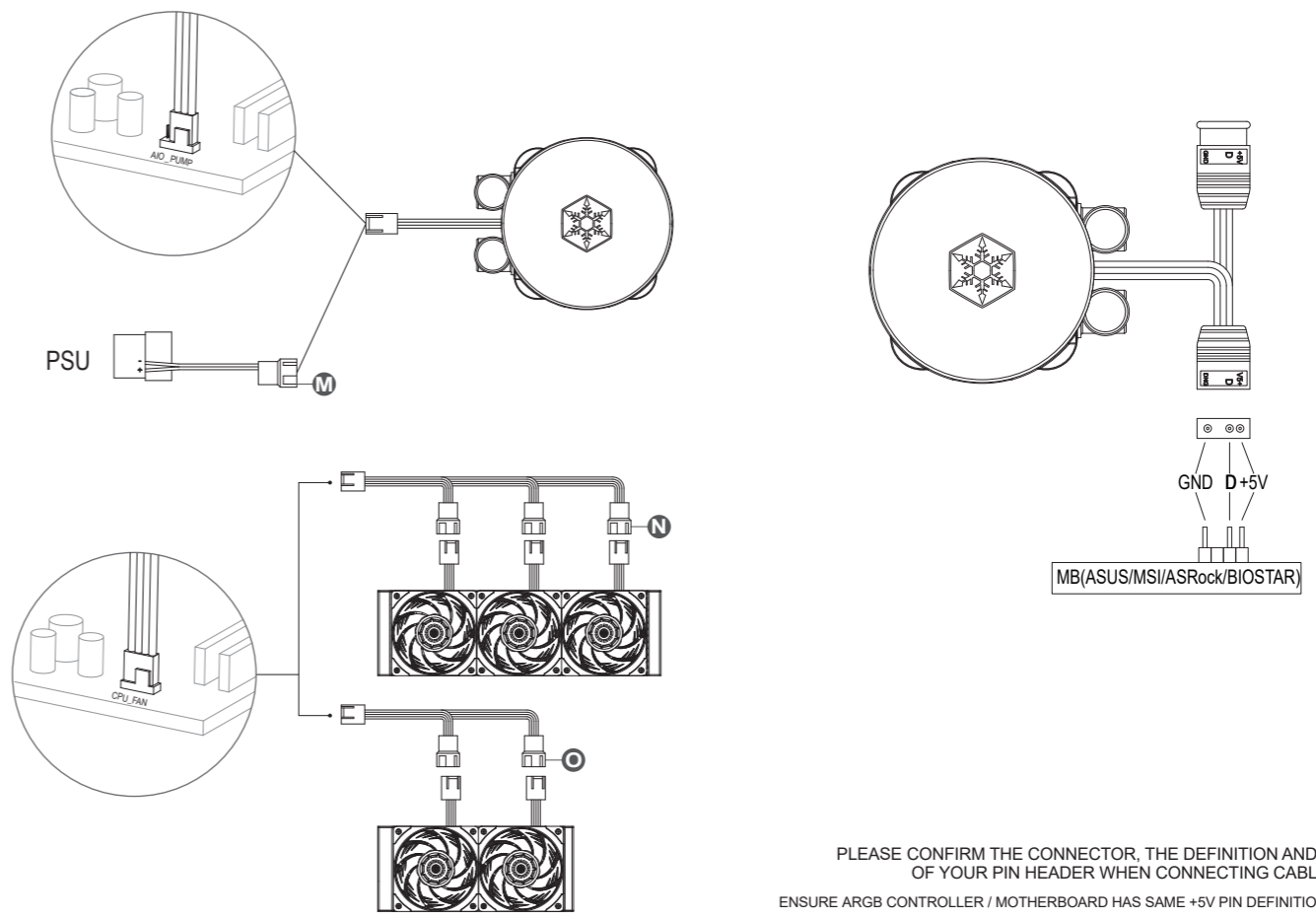


### AMD



**M** AMD Socket AM4/AM5      AMD Socket TR4/sTR5  
SP3/SP6

### MOTHERBOARD SYNC



PLEASE CONFIRM THE CONNECTOR, THE DEFINITION AND DIRECTION OF YOUR PIN HEADER WHEN CONNECTING CABLES.  
ENSURE ARGB CONTROLLER / MOTHERBOARD HAS SAME +5V PIN DEFINITION AS ICEMYST SERIES.