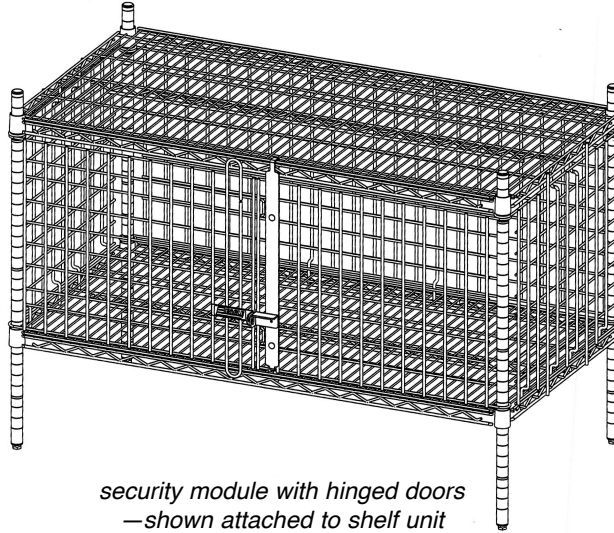


Security Modules with Hinged Doors

ASSEMBLY INSTRUCTIONS

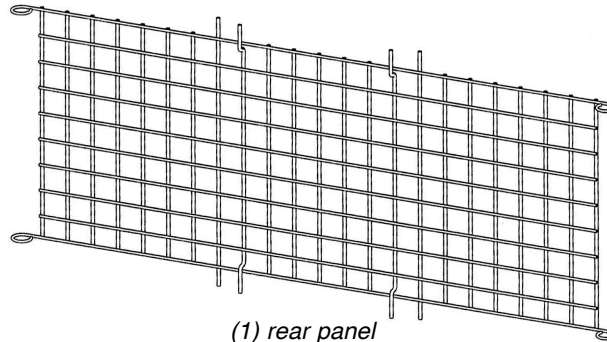
CAUTION

INSPECT CONTENTS IMMEDIATELY AND FILE CLAIM WITH DELIVERING CARRIER FOR ANY DAMAGE. **SAVE YOUR BOX AND ALL PACKING MATERIALS.** YOU ARE RESPONSIBLE FOR DAMAGE TO YOUR UNIT IF RETURNED IMPROPERLY PACKED.

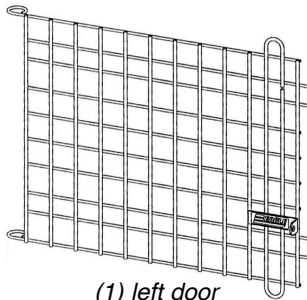


*security module with hinged doors
— shown attached to shelf unit*

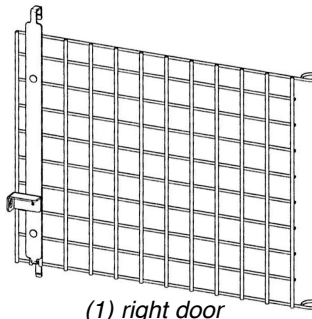
Parts List



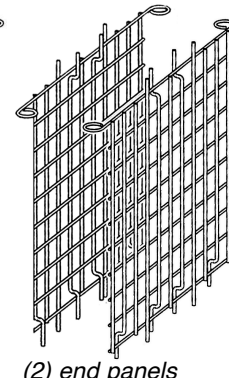
(1) rear panel



(1) left door



(1) right door



(2) end panels

(continued on next page) 

EG10086 Revised 10/23



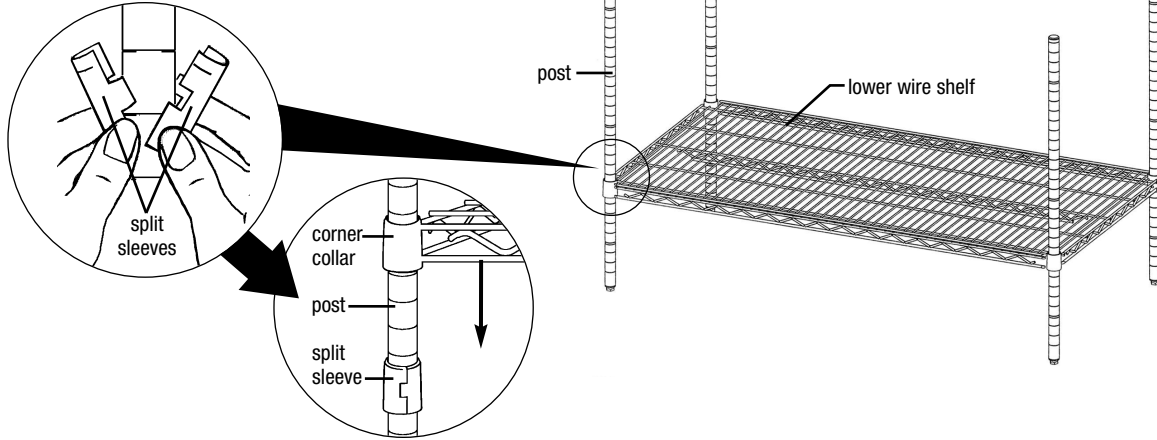
• 100 Industrial Boulevard, Clayton, Delaware 19938-8903 U.S.A.
• Phone: 302/653-3000 • 800/441-8440 • Fax: 302/653-2065
• www.eaglegrp.com • www.eaglegrpnews.com • www.eaglemhc.com

Eagle Foodservice Equipment, Eagle MHC, and SpecFAB® are divisions of Eagle Group. ©2023 by the Eagle Group

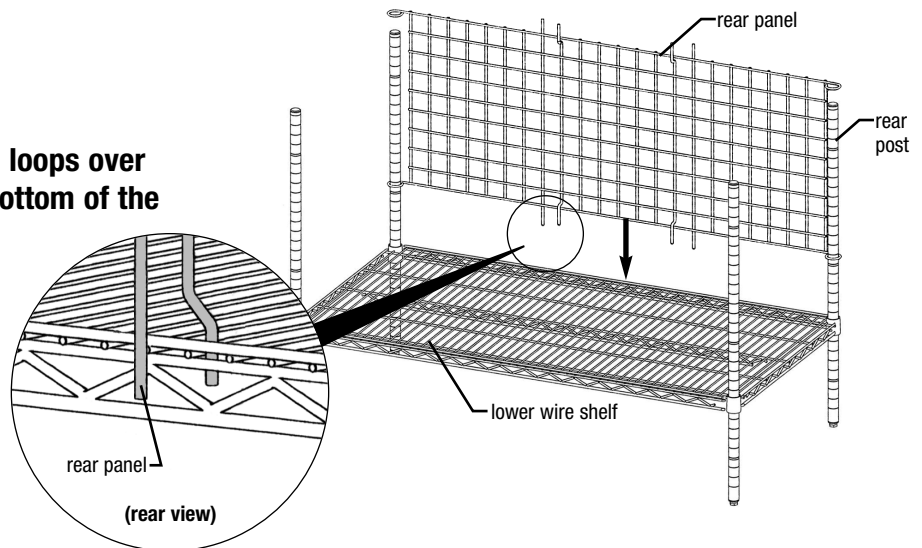
Security Modules with Hinged Doors

ASSEMBLY INSTRUCTIONS

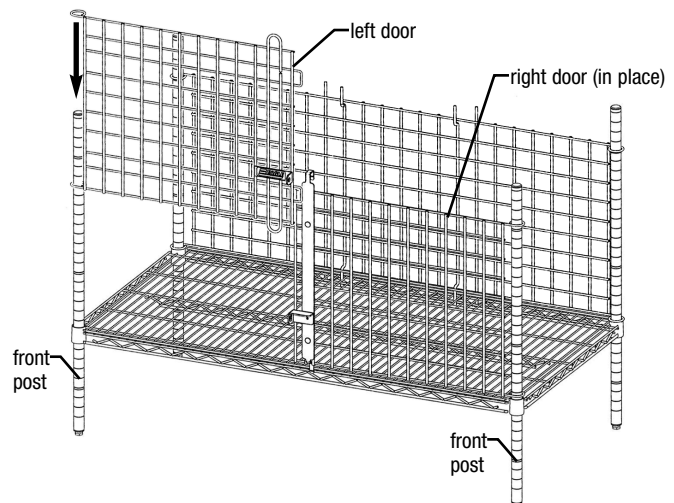
Step 1 - Determine location of security module by positioning lower wire shelf (not included) accordingly onto posts.



Step 2 - Install rear panel by sliding loops over and down the rear posts, with the bottom of the panel locking into lower wire shelf.



Step 3 - Install left and right doors by sliding loops over and down the front posts.

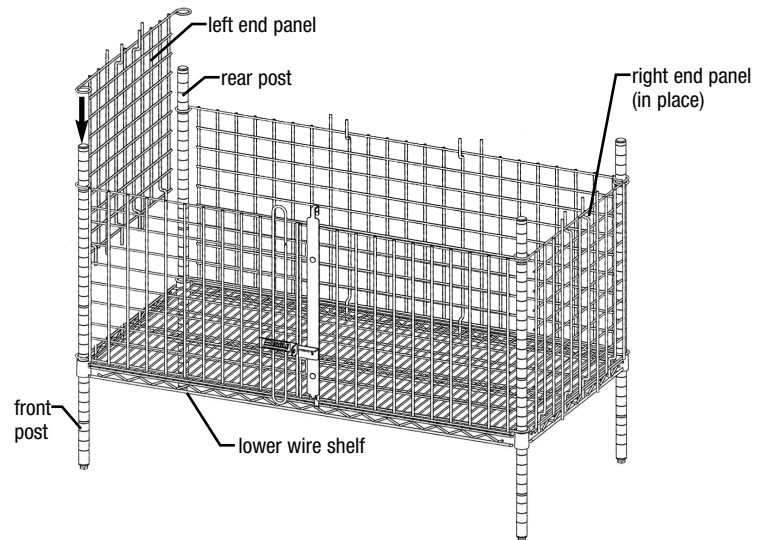


(continued on next page)

Security Modules with Hinged Doors

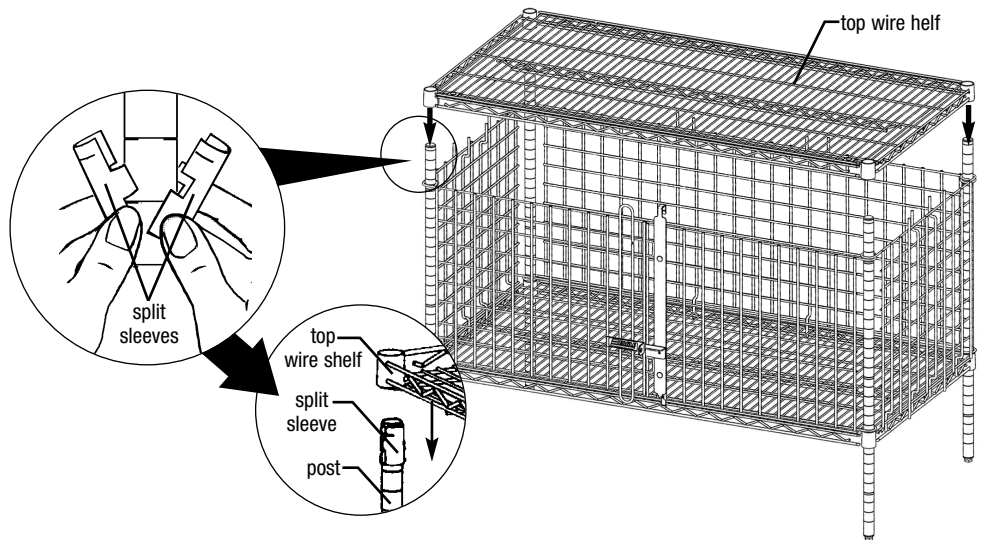
ASSEMBLY INSTRUCTIONS

Step 4 - Install end panels by sliding loops over and down the front and rear posts on each end, with the bottom of each panel locking into lower wire shelf.



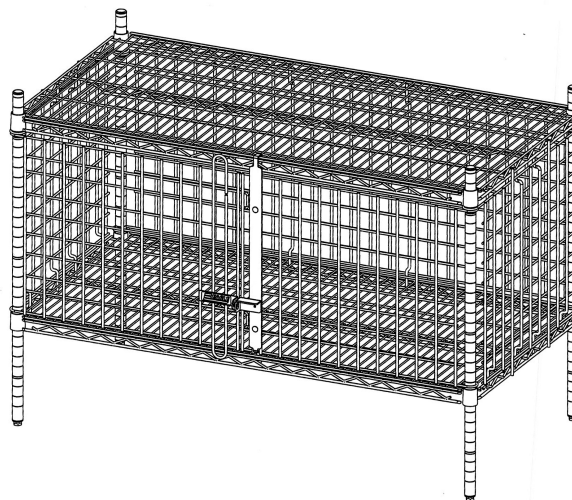
Step 5 - Install top wire shelf (not included) onto top of posts. Rear panel and end panels should lock into top wire shelf.

NOTE: To install top wire shelf, doors must be in the open position.



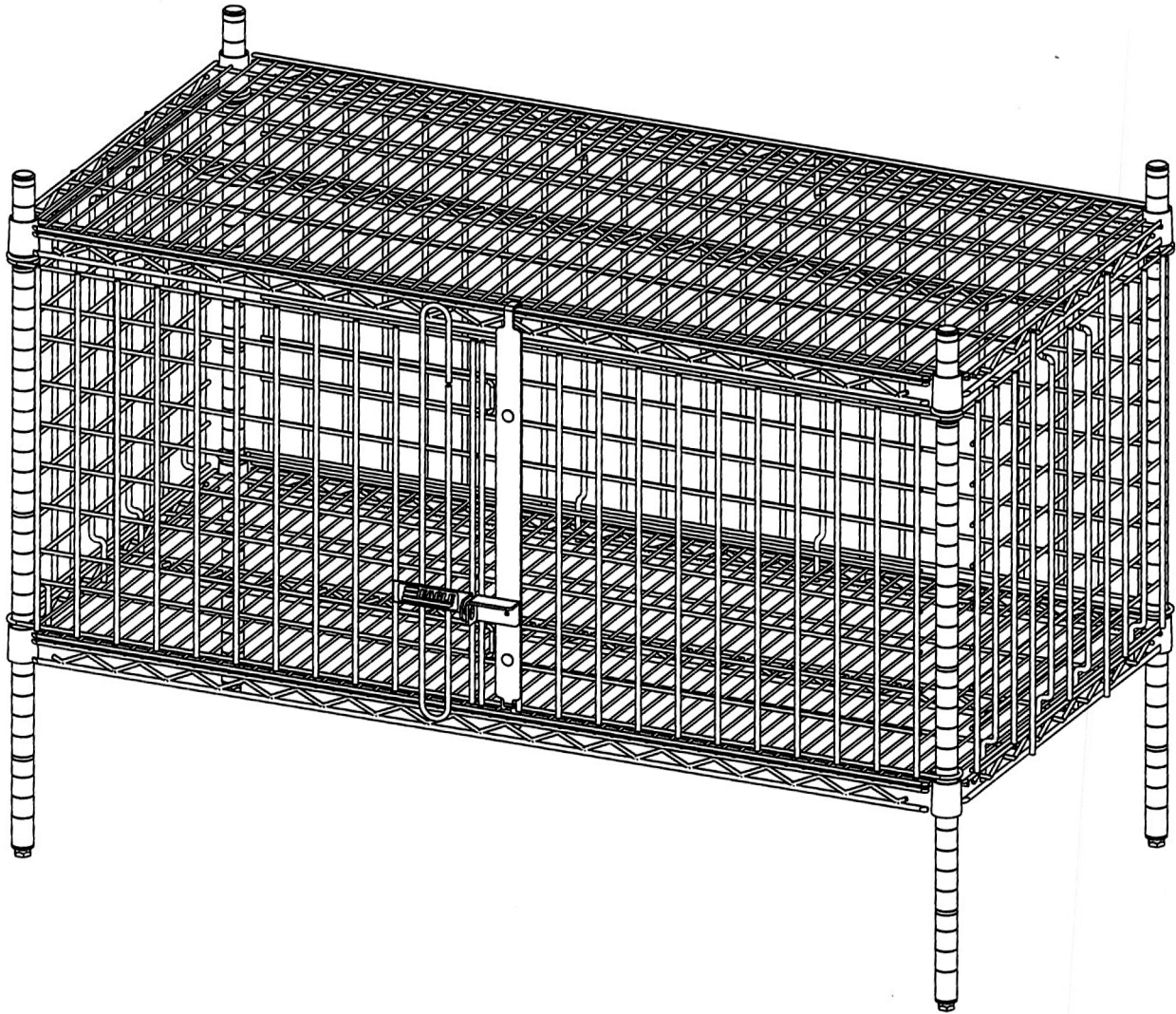
(End)

Assembly is complete.



Security Modules with Hinged Doors

ASSEMBLY INSTRUCTIONS



- 100 Industrial Boulevard, Clayton, Delaware 19938-8903 U.S.A.
- Phone: 302/653-3000 • 800/441-8440 • Fax: 302/653-2065
- www.eaglegrp.com • www.eaglegrpnews.com • www.eaglemhc.com

Eagle Foodservice Equipment, Eagle MHC, and SpecFAB® are divisions of Eagle Group. ©2023 by the Eagle Group