

# AIR CONTROLLER KIT INSTALLATION GUIDE







**UNIVERSAL  
FIT FOR MOST 1/2, 3/4  
AND 1 TON PICKUPS AND VANS**

AIR SPRING LEVELING ELECTRIC CONTROLLER KIT



# PACKING LIST

## Main parts

|   |   |                                     |   |   |                                   |   |   |                              |
|---|---|-------------------------------------|---|---|-----------------------------------|---|---|------------------------------|
| 1 |  | <b>1X 12V</b> Air compressor        | 2 |  | <b>1X</b> Gauge panel             | 3 |  | <b>1X</b> Air Line φ6*1 (6M) |
| 4 |  | <b>1X</b> Wire harness (2.5M) black | 5 |  | <b>1X</b> Wire harness (8.5M) red | 6 |  | <b>1X</b> Fuse harness (1M)  |

## Hardware kits

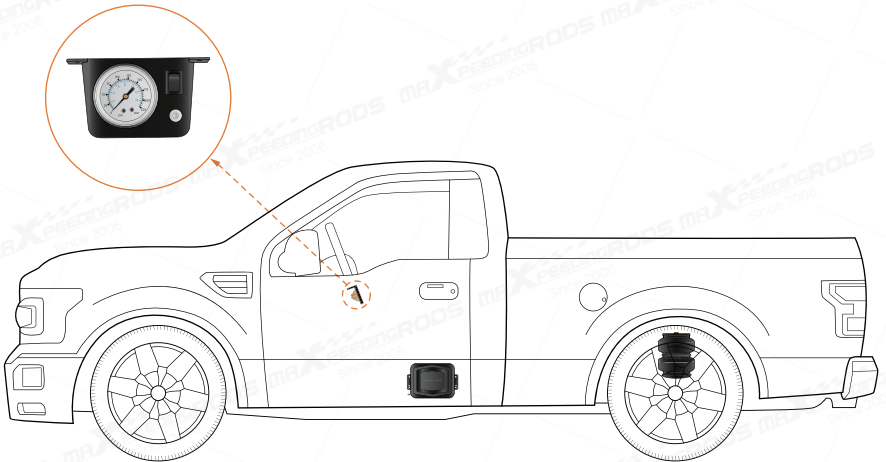
|    |   |                                       |    |   |   |                       |   |   |
|----|---|---------------------------------------|----|---|---|-----------------------|---|---|
| 7  |    | <b>3X</b> T fitting (Stainless)       | 8  |    | <b>4X</b> Hex screw M6.3*25             | 9                     |    | <b>4X</b> Hex Drill Screw M4.2*13           |
| 10 |    | <b>1X</b> Fuse adapter a              | 11 |    | <b>1X</b> Fuse adapter b                | 12                    |    | <b>1X</b> Fuse adapter c                    |
| 13 |    | <b>1X</b> T-connector                 | 14 |    | <b>1X</b> Red ring terminal             | 15                    |    | <b>1X</b> Black ring terminal               |
| 16 |   | <b>3X</b> Pre-insulated wire terminal | 17 |   | <b>4X</b> Fully Insulated wire terminal | 18                    |   | <b>3X</b> RV wire terminal (Red)            |
| 19 |  | <b>1X</b> RV wire terminal (Black)    | 20 |  | <b>6X</b> Zip tie (190*5)               | 21                    |  | <b>4X</b> Air compressor cushion (Optional) |
| 22 |  | <b>1X</b> Air line cutter             | 23 |  |   | <b>1X</b> Car sticker |   |   |

## /// PRE-INSTALLATION NOTICE

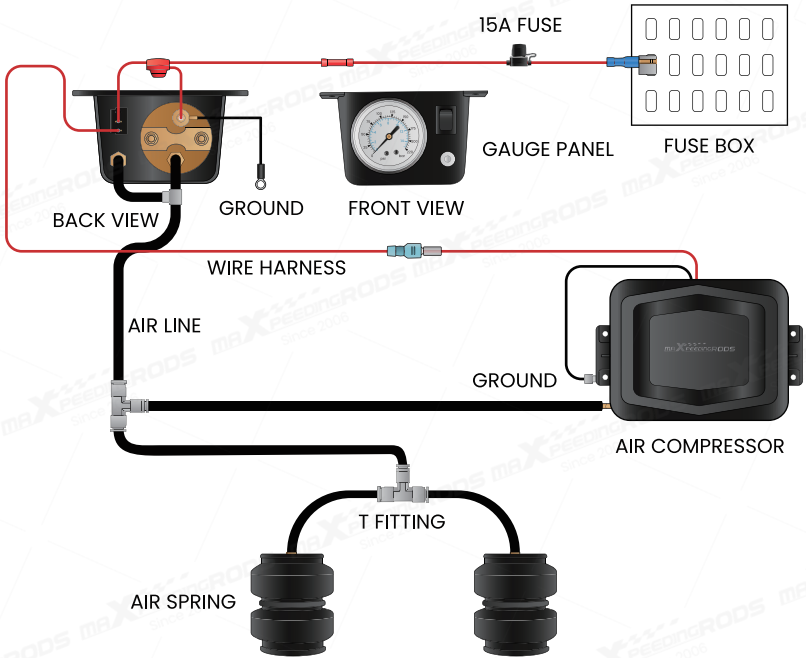
- This product will not increase the load capacity of your vehicle.
- Do not exceed the manufacturer's recommended weight limit.
- The installation process may require drilling, professional installation is recommended to ensure personal safety.
- All modifications must be performed by qualified personnel and in compliance with your local modification regulations.

## /// INSTALLATION OVERVIEW

The air spring controller kit is designed to pressurize and depressurize the air springs installed in your vehicle with one button without leaving the cab, bringing great convenience. Moreover, it is a universal kit and suitable for most light or medium duty pickups and vans.

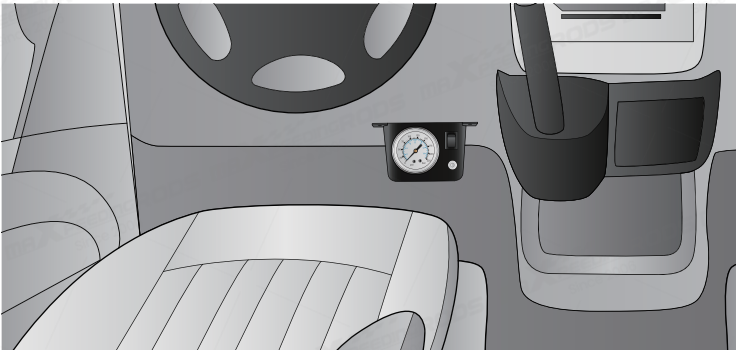


## /// INSTALLATION DIAGRAM



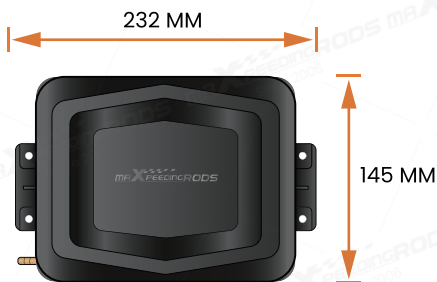
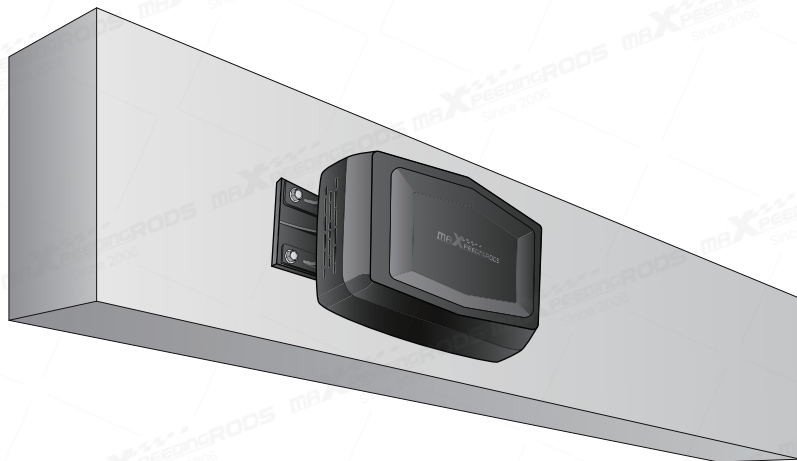
## /// INSTALLING THE GAUGE PANEL

The **gauge panel** is usually installed under the dashboard in the cab. You may need to drill two holes for installation.



## /// INSTALLING THE COMPRESSOR

Install the compressor at the selected location (i.e.the frame rail on the driver's or passenger's side.) and fix it on the vehicle with screws.



### **NOTE:**

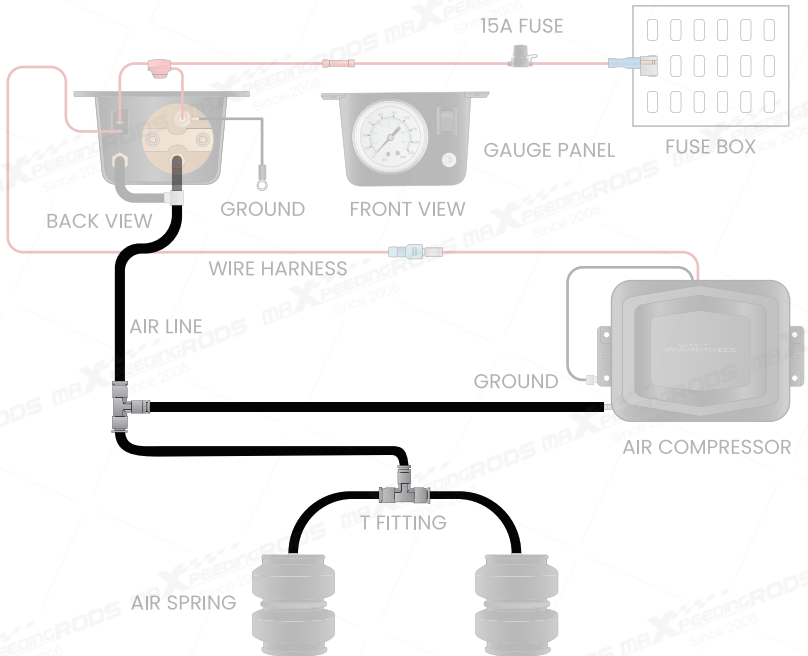
*Before drilling, please make sure the length of the required air line and wiring harness is sufficient.*

*The location should have adequate air circulation and keep out airborne particles and moisture.*

## /// INSTALLING THE AIR LINE

Connect the air line to the air fitting on the compressor and to the back of the gauge panel, then cut the air line and install it into the **T fitting**.

Run a length of air line from the newly installed T fitting, then attach the air line to the air spring bag kit with another T fitting.



The dark part of the picture above is the installation steps of this part.

### **NOTE:**

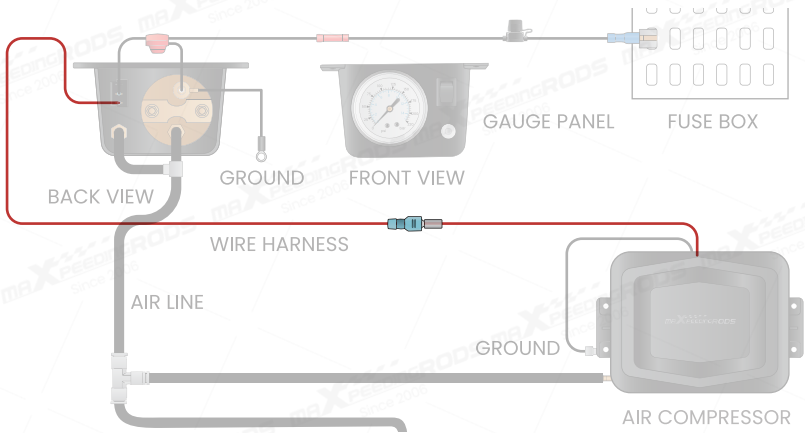
*The air line can be cut with an air line cutter.*

*The air line may be a little stiff. So it's recommended to soak the line in some hot water for 3-5 minutes, softening up the line a little bit, making it easier to get onto the fitting.*



## /// CONNECT THE WIRE HARNESS

- A.** Connect the wire harness (red) to the back of the gauge panel and to the compressor power lead, respectively.

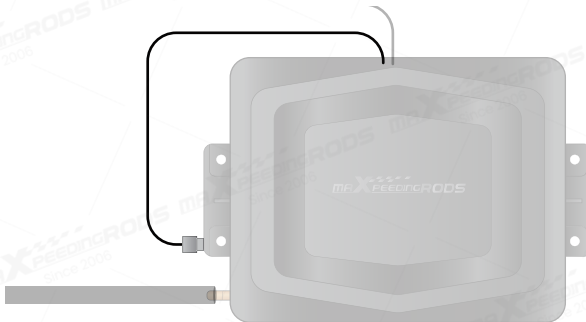


The dark part of the picture above is the installation steps of this part.

**NOTE:**

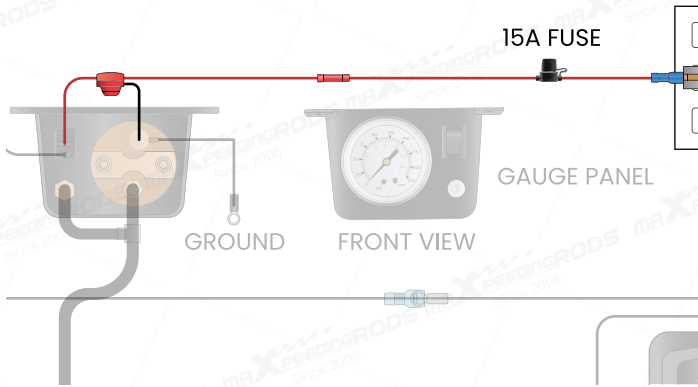
*You may need to cut the carpet to run the air line and red wire to the cab.*

- B.** Install the ground wire (black) to the compressor mounting screw or frame rail.

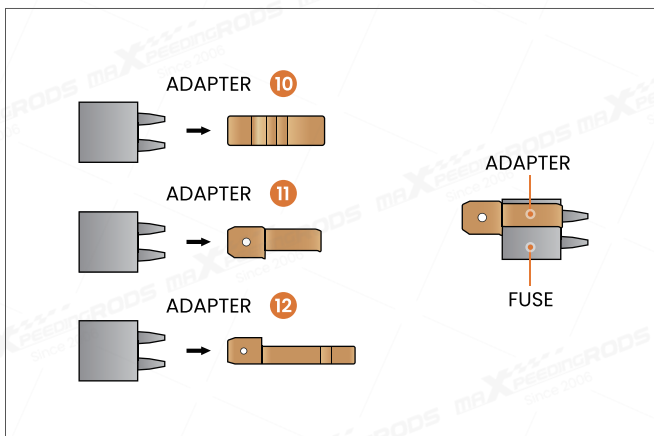


The dark part of the picture above is the installation steps of this part.

- 
- C.** Connect the **fuse harness** to the terminal of the switch and connect the other end to the fuse box of the vehicle.



- 
- D.** Choose the Fuse adaptor based on the type of fuse your vehicle uses.



## /// OPERATING INSTRUCTION

- 
- A.** Test the circuit and turn on the ignition to confirm that the compressor is working properly. If the compressor is not running, use a test light to make sure there is power on both sides of the switch.

- 
- B.** Press and hold the switch to run the compressor, and release the switch to stop the compressor once the desired height is reached.



**Press and hold the switch to inflate.**

**Press to deflate.**

- 
- C.** Check all air line connections with soap solution to make sure there are no air leaks.

## /// INSTALLATION COMPLETED

### INSTALLATION COMPLETED



#### **WARNING**

Cancer and Reproductive Harm  
[www.P65Warnings.ca.gov](http://www.P65Warnings.ca.gov)

**MAX**  **PEEDINGRODS**

Since 2006