

# Karran<sup>®</sup>

---

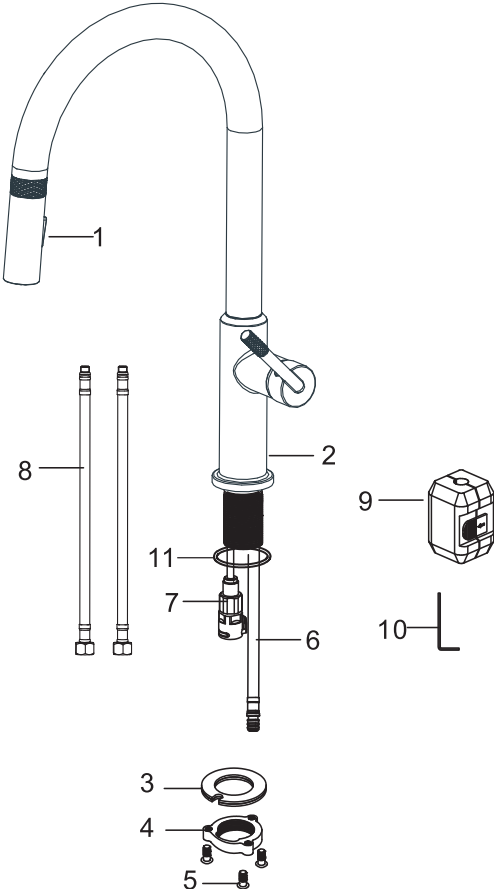
## INSTALLATION GUIDE



## Lagrange

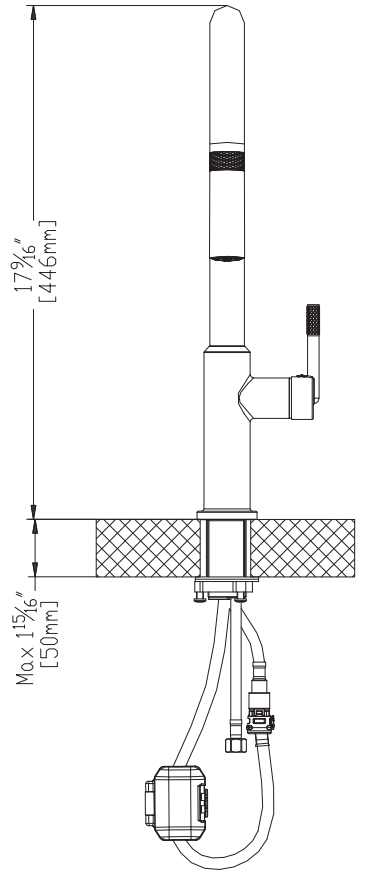
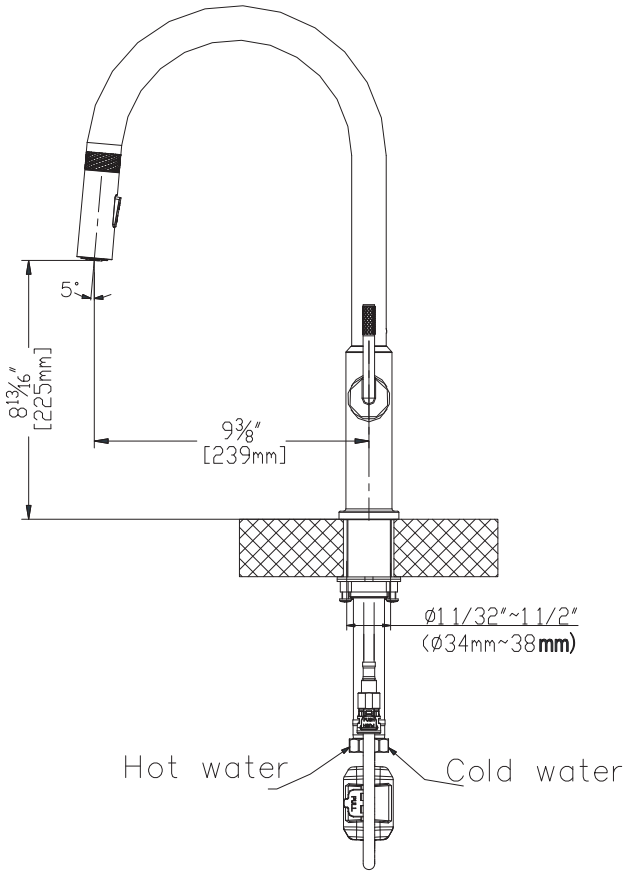
**Models:** KKF350SS KKF330MB  
KKF350GG





1. Spray Head
2. Faucet Body
3. Rubber&Metal Washer
4. Mounting Nut
5. Mounting Screws
6. Spray Hose
7. Quick Connector
8. Hot&Cold Water Lines
9. Weight
10. Hex Wrench
11. O-ring

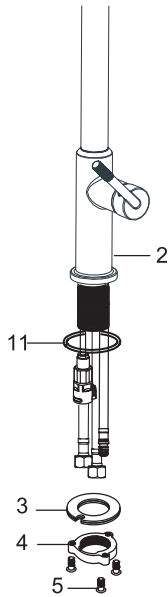




# INSTALLATION GUIDE

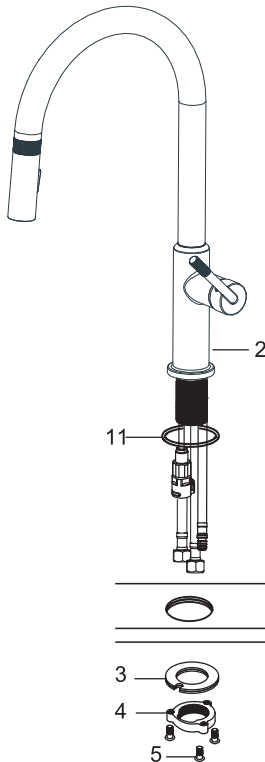
## STEP 1

1. Remove the mounting nut (#4), rubber&metal washer (#3) from the faucet body (#2).



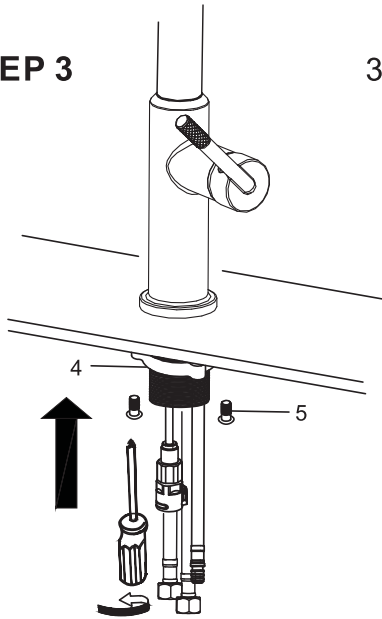
## STEP 2

2. Insert the main body into the hole with the o-ring (#11),refix the rubber&metal washer (#3) and mounting nut (#4) from the faucet bottom.



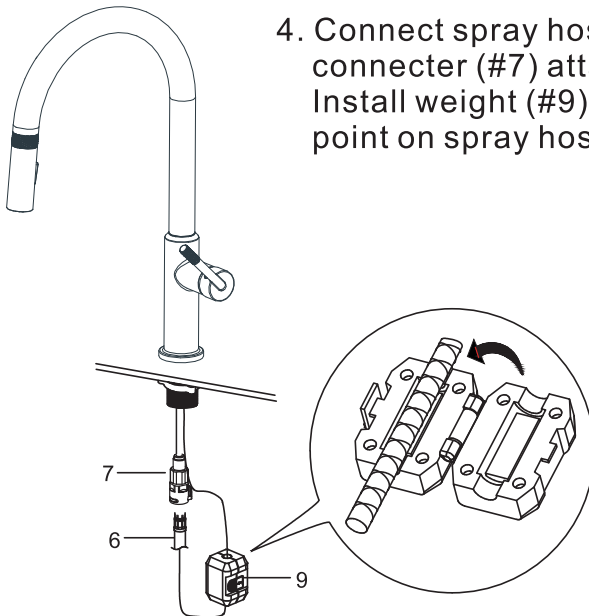
# INSTALLATION GUIDE

## STEP 3



3. After adjusting the direction of the main body, tighten the mounting nut (#4) with hands and tighten the mounting screws (#5) with a Philips screwdriver.

## STEP 4

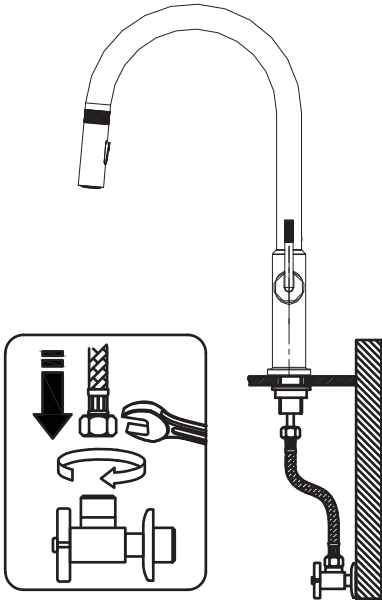


4. Connect spray hose (#6) to quick connector (#7) attached to supply line. Install weight (#9) on lowest vertical point on spray hose (#6).

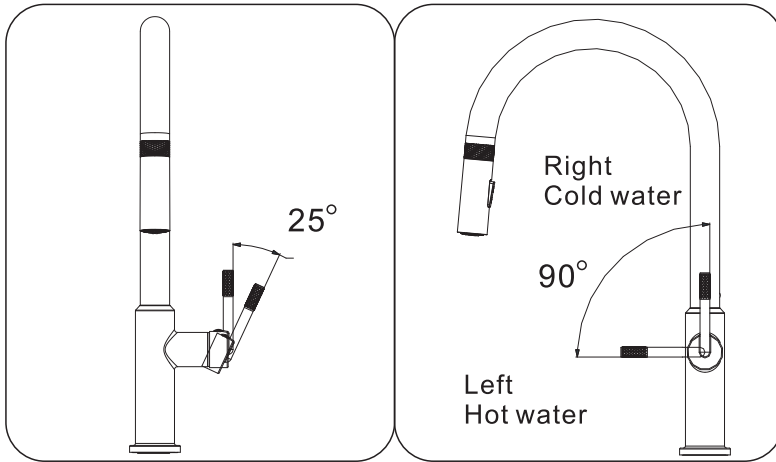
# INSTALLATION GUIDE

## STEP 5

5. Connect the water lines to outlet tightly.  
Turn on the outlet and check for leaks.



## How to operate the handle:

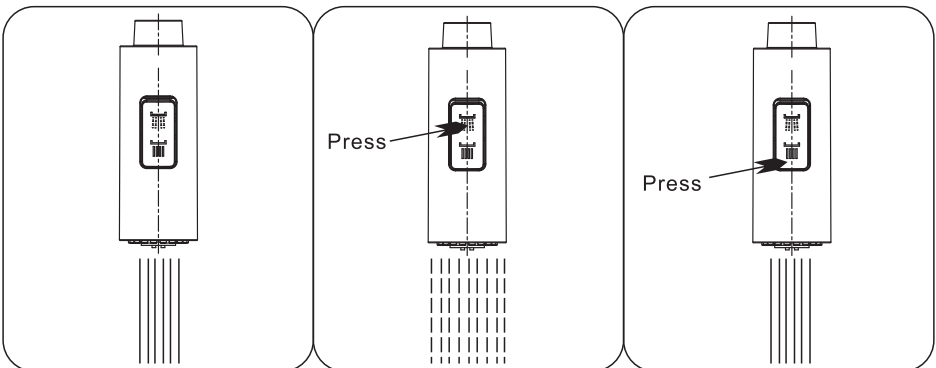


1. Open the handle lever to turn water on. Push to turn off.
2. Turn the handle lever to the left to increase hot water flow with higher water temperature. Lower the water temperature by operating reversely.

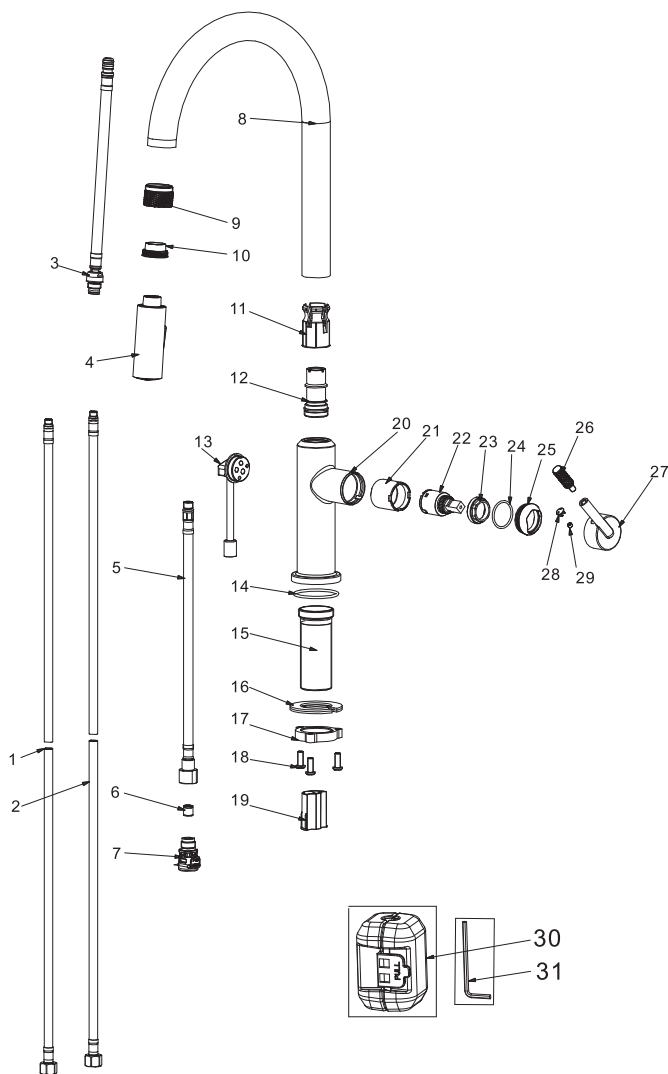
## Spray

The operation of the spray diverter:

1. When first turned on, water comes from aerator.
2. Press button back, water comes from nozzles.
3. Press button front, water comes from aerator.
4. Diverter button automatically returns to normal position once handle closed.



# REPLACEMENT PARTS



No.	Description	Finish/Color	Item No.
1	Cold Water line		G69703SR00
2	Hot Water line		G69703SR01
3	Hose		H569177
4	Spray	SS,MB,GG	F2M11
5	Spray Hose		G55303SR00
6	Check Valve		J92031NP3
7	Quick Connector		JT56226
8	Spout	SS,MB,GG	50G569179
9	Wear Reducing Sleeve		52J569179
10	Washer		5SJ569177
11	Pull-out Protector		5SJ569100
12	Connector		5YJ569100
13	Welding core		53T569121G
14	O-ring		8J48X25A
15	Threaded sleeve		53T56407
16	Rubber Washer Metal Washer		N56U26
17	Mounting Nut		8NM56Z55
18	Mounting Screw		8RM6X15
19	Pull-out Protector		5HT56068
20	Body	SS,MB,GG	50T569193
21	Cartridge Hosing		52T569100
22	Cartridge		J10250MZ00
23	Lock Nut		5YG569110
24	O-ring		5ZG569179
25	Trim Cap	SS,MB,GG	8J30X2A
26	Handle Rod	SS,MB,GG	51P25VJB2
27	Handle	SS,MB,GG	50P25VJB2
28	Index		80N81051
29	Set Screw		8EM5X4
30	Weight		5QQ569113
31	Allen Key		8BS25

\*Denotes faucet component color options:  
 SS - Stainless Steel  
 MB - Matte Black  
 GG - Gunmetal Grey