

VEVOR[®]

TOUGH TOOLS, HALF PRICE

Technical Support and E-Warranty Certificate

www.vevor.com/support

HAMMOCK STANDS USER MANUAL

We continue to be committed to provide you tools with competitive price.

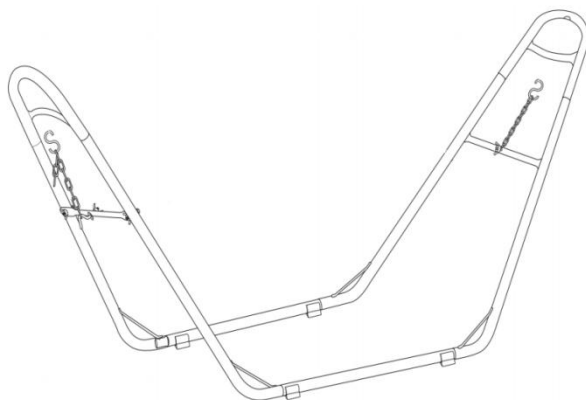
"Save Half", "Half Price" or any other similar expressions used by us only represents an estimate of savings you might benefit from buying certain tools with us compared to the major top brands and does not necessarily mean to cover all categories of tools offered by us. You are kindly reminded to verify carefully when you are placing an order with us if you are actually saving half in comparison with the top major brands.

VEVOR[®]

TOUGH TOOLS, HALF PRICE

HAMMOCK STANDS

Model: HR-AHS-01 HR-AHS-02



NEED HELP? CONTACT US!

Have product questions? Need technical support? Please feel free to contact us:

Technical Support and E-Warranty Certificate
www.vevor.com/support

This is the original instruction, please read all manual instructions carefully before operating. VEVOR reserves a clear interpretation of our user manual. The appearance of the product shall be subject to the product you received. Please forgive us that we won't inform you again if there are any technology or software updates on our product.

INSTRUCTIONS

Thank you very much for choosing this product. Please read all of the instructions before using it. The information will help you achieve the best possible results.

PLEASE NOTE! Drawings in this manual are for illustration purposes only and in some details may differ from the actual product.

ATTENTION! Read all safety warnings and all instructions. Failure to follow the warnings and instructions may result in serious injury or even death. The device or product used in the warning instructions is referred to Hammock Stands.

This product is not a toy or a toy chest. Do not allow children to play with this item. Use as intended only and Need to supervise the children to understand step rules of drag harrow finally.

USAGE SAFETY

1. Select an area for assembly that is clean and free of any debris which might cause persons working on the assembly to trip.
2. Do not lift heavy parts or assemblies. Use crane, jack, tackle, fork trucks or other mechanical devices.
3. Preview the assembly instructions in your operator's manual before proceeding further.
4. If the assembly instructions call for parts or assemblies to be blocked up, use only block material that is in good condition and is capable of handling the weight of the assembly to be blocked. Also ensure that the blocking material is on a clean, dry surface.

Never put hands, or any part of body, under blocked up assemblies if at all possible.

5. Never put hands, or any part of body, under blocked up assemblies if at all possible.

6. After completing assembly, thoroughly inspect the machine to be sure that all nuts, bolts, hydraulic fittings or any other fastener assemblies have been thoroughly tightened.

Before using the product - if you have any questions regarding the proper assembly or operation, contact you dealer or representative.

SAVE THESE INSTRUCTIONS

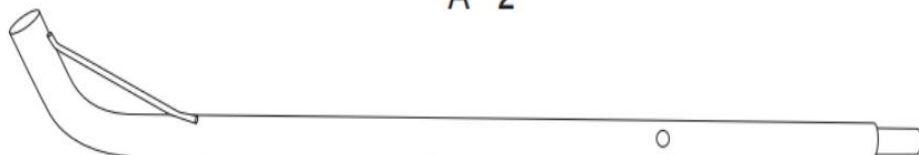
TECHNICAL PARAMETERS

Model	HR-AHS-01	HR-AHS-02
Size	118 inch	124 inch
Load bearing	550 lbs	
Type	ship type	
Color	matte black	
Material	Steel tube	

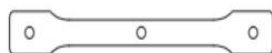
PARTS LIST



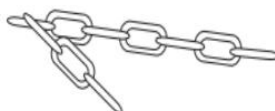
A*2



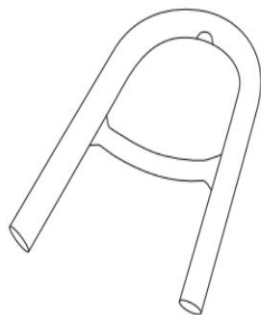
B*4



C*2



D*2



E*2



F*4



G*2



H*2



J*4

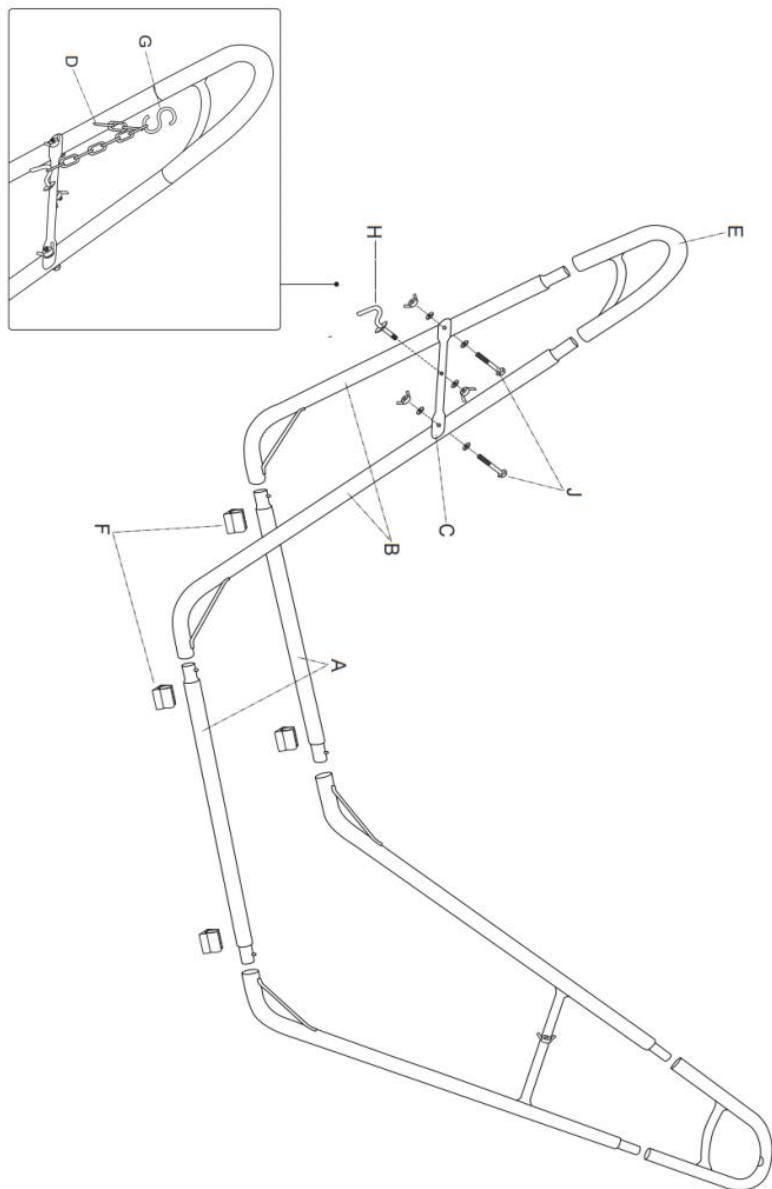


K*1

ASSEMBLY

Adjust the height of the hammock by hanging the chain on the hook.

Note: The lower the number of chains used, the higher the hammock is off the ground.



Address: Shuangchenglu 803nong11hao1602A-1609shi, baoshanqu, shanghai 200000 CN.

Imported to AUS: SIHAO PTY LTD, 1 ROKEVA STREETEASTWOOD NSW 2122 Australia

Imported to USA: Sanven Technology Ltd., Suite 250, 9166 Anaheim Place, Rancho Cucamonga, CA 91730

EC	REP
-----------	------------

E-CrossStu GmbH
Mainzer Landstr.69, 60329 Frankfurt am Main.

UK	REP
-----------	------------

YH CONSULTING LIMITED.
C/O YH Consulting Limited Office 147, Centurion House,
London Road, Staines-upon-Thames, Surrey, TW18 4AX

VEVOR[®]

TOUGH TOOLS, HALF PRICE

Technical Support and E-Warranty Certificate

www.vevor.com/support

VEVOR[®]

TOUGH TOOLS, HALF PRICE

Technique Assistance et certificat de garantie électronique

www.vevor.com/support

SUPPORTS POUR HAMACS

MANUEL DE l' Utilisateur

We continue to be committed to provide you tools with competitive price.

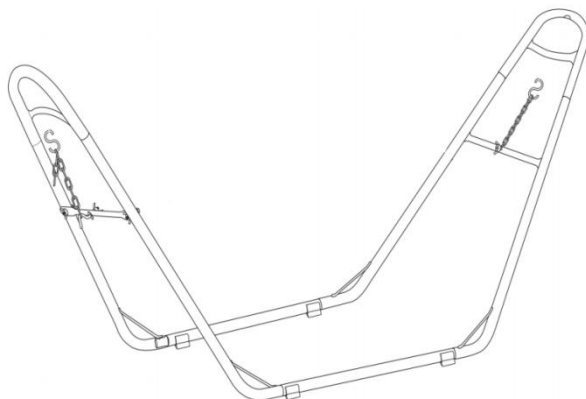
"Save Half", "Half Price" or any other similar expressions used by us only represents an estimate of savings you might benefit from buying certain tools with us compared to the major top brands and does not necessarily mean to cover all categories of tools offered by us. You are kindly reminded to verify carefully when you are placing an order with us if you are actually saving half in comparison with the top major brands.

VEVOR®

TOUGH TOOLS, HALF PRICE

HAMMOCK STANDS

Modèle : HR-AHS-01 HR-AHS-02



NEED HELP? CONTACT US!

Have product questions? Need technical support? Please feel free to contact us:

Technical Support and E-Warranty Certificate
www.vevor.com/support

This is the original instruction, please read all manual instructions carefully before operating. VEVOR reserves a clear interpretation of our user manual. The appearance of the product shall be subject to the product you received. Please forgive us that we won't inform you again if there are any technology or software updates on our product.

INSTRUCTIONS

Merci beaucoup d'avoir choisi ce produit . Veuillez lire toutes les instructions avant de l'utiliser. Les informations vous aideront à obtenir les meilleurs résultats possibles.

VEUILLEZ NOTER! Les dessins de ce manuel sont destinés à titre d'illustration uniquement et dans certains détails, peut diffèrent du produit réel.

ATTENTION! Lisez tous les avertissements de sécurité et toutes les instructions. Le non-respect des avertissements et des instructions peut entraîner des blessures graves, voire la mort. L'appareil ou le produit utilisé dans les instructions d'avertissement fait référence aux supports de hamac .

Ce produit n'est pas un jouet ni un coffre à jouets. Ne laissez pas les enfants jouer avec cet article. Utiliser uniquement comme prévu et nécessiter de superviser les enfants pour comprendre enfin les règles d'étape de la herse traînante.

SÉCURITÉ D'UTILISATION

7. Sélectionnez une zone d'assemblage propre et exempte de tout débris susceptible de faire trébucher les personnes travaillant sur l'assemblage.

8. Ne soulevez pas de pièces ou d' assemblages lourds. Utilisez une grue, un cric, un palan, des chariots élévateurs ou d'autres appareils mécaniques.

9. Prévisualisez les instructions d'assemblage dans votre manuel d'utilisation avant de continuer.

10. Si les instructions de montage nécessitent le blocage de pièces ou d'assemblages, utilisez uniquement du matériel de bloc en bon état et capable de supporter le poids de l'assemblage à bloquer. Assurez-vous également que le matériau de blocage se trouve sur une surface propre et sèche.

Dans la mesure du possible, ne placez jamais les mains ou toute partie du corps sous des assemblages bloqués.

11. Dans la mesure du possible, ne placez jamais les mains ou toute partie du corps sous des assemblages bloqués.

12. Une fois l'assemblage terminé, inspectez soigneusement la machine pour vous assurer que tous les écrous, boulons, raccords hydrauliques ou tout autre ensemble de fixations ont été soigneusement serrés.

Avant d'utiliser le produit - si vous avez des questions concernant le montage ou le fonctionnement correct, contactez votre revendeur ou représentant.

CONSERVEZ CES INSTRUCTIONS

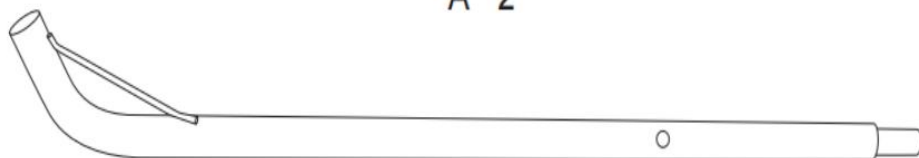
TECHNICAL PARAMETERS

Modèle	HR-AHS-01	HR-AHS-02
Taille	118 pouces	124 pouces
Portant	550 livres	
Taper	type de navire	
Couleur	noir mat	
Matériel	Tube en acier	

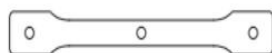
PARTS LIST



A * 2



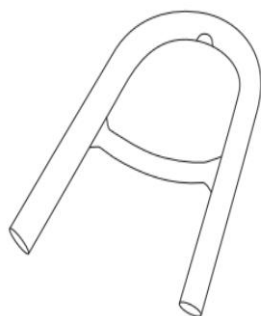
B * 4



C * 2



D * 2



E*2



F*4



G*2



H*2



J*4

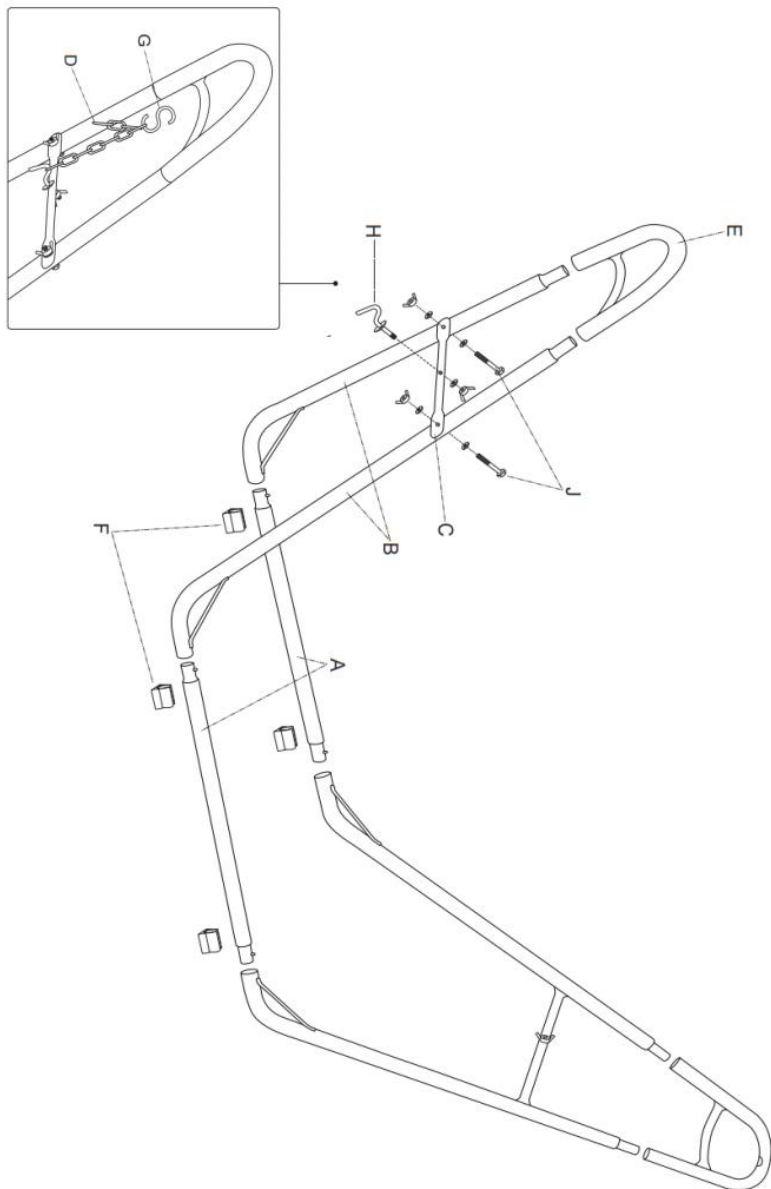


K*1

ASSEMBLY

Ajustez la hauteur du hamac en accrochant la chaîne au crochet.

Remarque : Plus le nombre de chaînes utilisées est faible, plus le hamac est élevé au-dessus du sol.



Adresse : Shuangchenglu 803nong11hao1602A-1609shi, baoshanqu, Shanghai 200000 CN.

Importé en Australie : SIHAO PTY LTD, 1 ROKEVA STREETASTWOOD NSW 2122 Australie

Importé aux États-Unis : Sanven Technology Ltd., Suite 250, 9166

Anaheim Place, Rancho Cucamonga, CA 91730

EC	REP
-----------	------------

E-CrossStu GmbH
Mainzer Landstr.69, 60329 Frankfurt am Main.

UK	REP
-----------	------------

YH CONSULTING LIMITED.
C/O YH Consulting Limited Office 147, Centurion House,
London Road, Staines-upon-Thames, Surrey, TW18 4AX

VEVOR[®]

TOUGH TOOLS, HALF PRICE

Technique Assistance et certificat de garantie électronique

www.vevor.com/support

VEVOR[®]

TOUGH TOOLS, HALF PRICE

Technisch Support und E-Garantie-Zertifikat

www.vevor.com/support

HÄNGEMATTENGESTELLE

Benutzerhandbuch

We continue to be committed to provide you tools with competitive price.

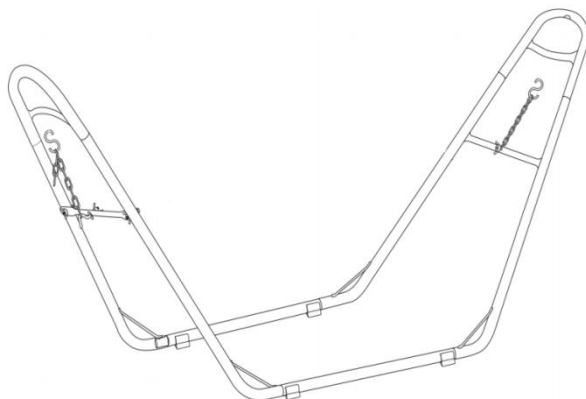
"Save Half", "Half Price" or any other similar expressions used by us only represents an estimate of savings you might benefit from buying certain tools with us compared to the major top brands and does not necessarily mean to cover all categories of tools offered by us. You are kindly reminded to verify carefully when you are placing an order with us if you are actually saving half in comparison with the top major brands.

VEVOR[®]

TOUGH TOOLS, HALF PRICE

HAMMOCK STANDS

Modell: HR-AHS-01 HR-AHS-02



NEED HELP? CONTACT US!

Have product questions? Need technical support? Please feel free to contact us:

Technical Support and E-Warranty Certificate
www.vevor.com/support

This is the original instruction, please read all manual instructions carefully before operating. VEVOR reserves a clear interpretation of our user manual. The appearance of the product shall be subject to the product you received. Please forgive us that we won't inform you again if there are any technology or software updates on our product.

INSTRUCTIONS

Vielen Dank, dass Sie sich für dieses Produkt entschieden haben . Bitte lesen Sie vor der Anwendung alle Hinweise sorgfältig durch. Die Informationen helfen Ihnen, die bestmöglichen Ergebnisse zu erzielen. **BITTE BEACHTEN!** Die Zeichnungen in diesem Handbuch dienen lediglich Illustrationszwecken und können in einigen vom tatsächlichen Produkt abweichen.

ACHTUNG! Lesen Sie alle Sicherheitshinweise und Anweisungen. Die Nichtbeachtung der Hinweise und Anweisungen kann zu schweren Verletzungen oder sogar zum Tod führen. Das in den Warnhinweisen verwendete Gerät oder Produkt bezieht sich auf Hängemattenständer .

Dieses Produkt ist kein Spielzeug und auch keine Spielzeugkiste. Erlauben Sie Kindern nicht, mit diesem Artikel zu spielen. Verwenden Sie es nur bestimmungsgemäß und beaufsichtigen Sie Ihre Kinder, damit sie die Schritt-für-Schritt-Regeln für die Schlepppegge endlich verstehen.

SICHERHEIT BEI DER VERWENDUNG

13. Wählen Sie für die Montage einen sauberen Bereich ohne Ablagerungen aus, über die an der Montage arbeitende Personen stolpern könnten.
 14. Heben Sie keine schweren Teile oder Baugruppen an. Verwenden Sie Kran, Wagenheber, Flaschenzug, Gabelstapler oder andere mechanische Geräte.
 15. Sehen Sie sich die Montageanleitung in Ihrer Bedienungsanleitung an, bevor Sie fortfahren.
 16. Wenn in der Montageanleitung das Blockieren von Teilen oder Baugruppen gefordert wird, verwenden Sie nur Blockmaterial, das in gutem Zustand ist und das Gewicht der zu blockierenden Baugruppe tragen kann. Stellen Sie außerdem sicher, dass sich das Blockmaterial auf einer sauberen, trockenen Oberfläche befindet.
- Halten Sie Ihre Hände oder andere Körperteile möglichst nie unter blockierte Baugruppen.
17. Halten Sie Ihre Hände oder andere Körperteile möglichst nie unter blockierte Baugruppen.

18. Überprüfen Sie die Maschine nach Abschluss der Montage gründlich, um sicherzustellen, dass alle Muttern, Schrauben, Hydraulikanschlüsse und sonstigen Befestigungselemente ordnungsgemäß festgezogen wurden.

Vor der Verwendung des Produkts - Wenn Sie Fragen zur ordnungsgemäßen Montage oder Bedienung haben, wenden Sie sich an Ihren Händler oder Vertreter.

ANLEITUNG AUFBEWAHREN

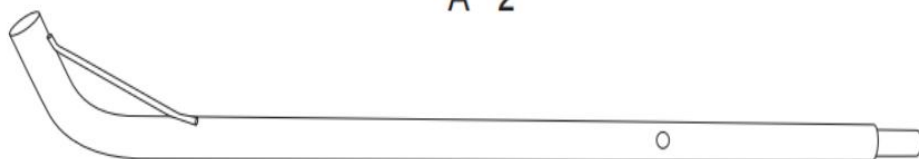
TECHNICAL PARAMETERS

Modell	HR-AHS-01	HR-AHS-02
Größe	118 Zoll	124 Zoll
Belastbarkeit	550 Pfund	
Typ	Schiffstyp	
Farbe	Matt-schwarz	
Material	Stahlrohr	

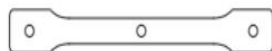
PARTS LIST



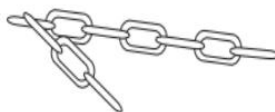
A * 2



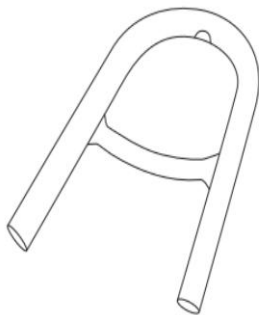
B * 4



C * 2



D * 2



E*2



F*4



G*2



H*2



J*4

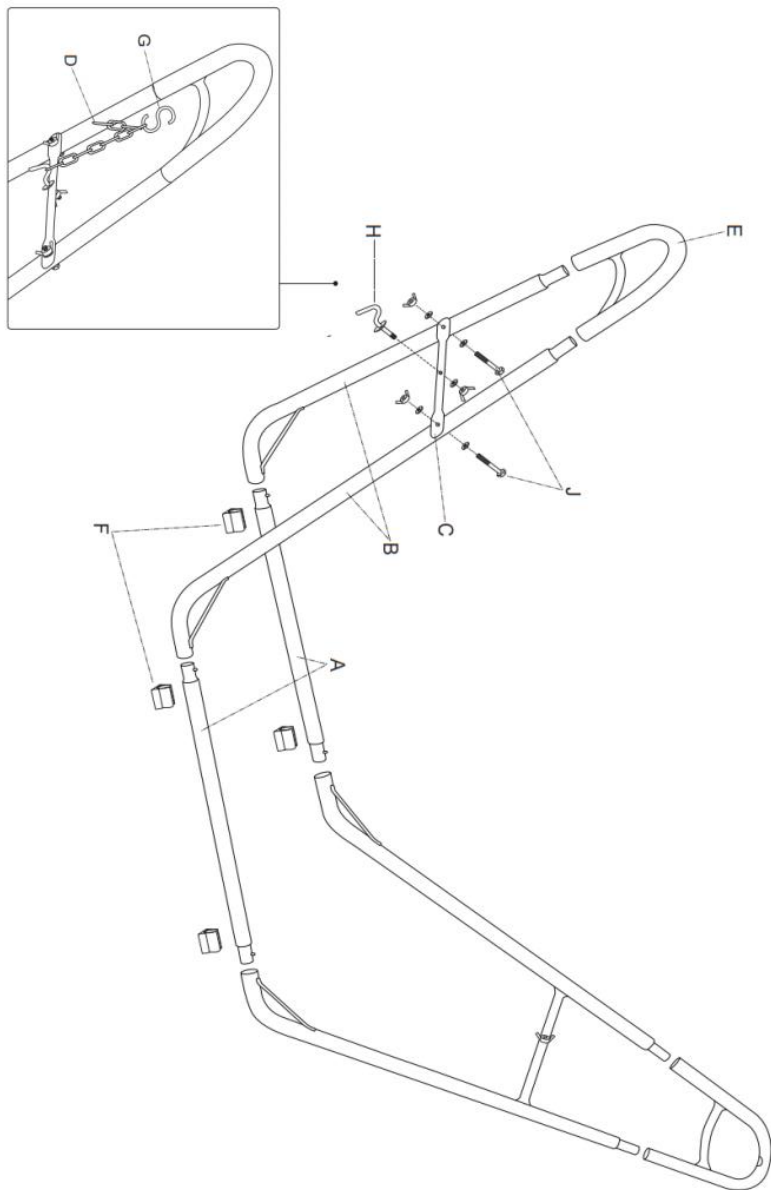


K*1

ASSEMBLY

Passen Sie die Höhe der Hängematte an, indem Sie die Kette am Haken einhängen.

Hinweis: Je geringer die Anzahl der verwendeten Ketten, desto höher ist die Hängematte über dem Boden.



Adresse : Shuangchenglu 803nong11hao1602A-1609shi, Baoshanqu, Shanghai 200000 CN.

Nach AUS importiert: SIHAO PTY LTD, 1 ROKEVA STREET EASTWOOD NSW 2122 Australien

Importiert in die USA: Sanven Technology Ltd., Suite 250, 9166 Anaheim

Place, Rancho Cucamonga, CA 91730

EC	REP
-----------	------------

E-CrossStu GmbH
Mainzer Landstr.69, 60329 Frankfurt am Main.

UK	REP
-----------	------------

YH CONSULTING LIMITED.
C/O YH Consulting Limited Office 147, Centurion House,
London Road, Staines-upon-Thames, Surrey, TW18 4AX

VEVOR®

TOUGH TOOLS, HALF PRICE

Technisch Support und E-Garantie-Zertifikat

www.vevor.com/support

VEVOR[®]

TOUGH TOOLS, HALF PRICE

Tecnico Supporto e certificato di garanzia elettronica

www.vevor.com/support

SUPPORTI PER AMACHE

MANUALE D' uso

We continue to be committed to provide you tools with competitive price.

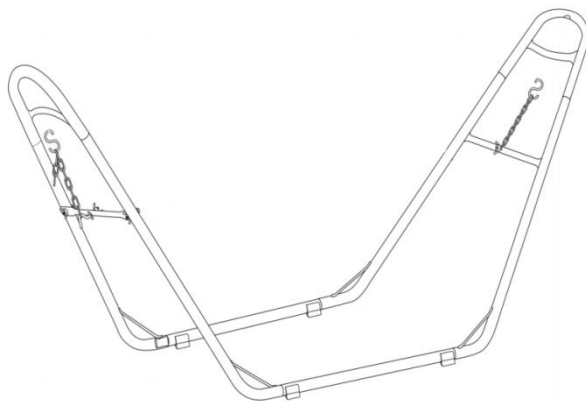
"Save Half", "Half Price" or any other similar expressions used by us only represents an estimate of savings you might benefit from buying certain tools with us compared to the major top brands and does not necessarily mean to cover all categories of tools offered by us. You are kindly reminded to verify carefully when you are placing an order with us if you are actually saving half in comparison with the top major brands.

VEVOR[®]

TOUGH TOOLS, HALF PRICE

HAMMOCK STANDS

Modello: HR-AHS-01 HR-AHS-02



NEED HELP? CONTACT US!

Have product questions? Need technical support? Please feel free to contact us:

Technical Support and E-Warranty Certificate
www.vevor.com/support

This is the original instruction, please read all manual instructions carefully before operating. VEVOR reserves a clear interpretation of our user manual. The appearance of the product shall be subject to the product you received. Please forgive us that we won't inform you again if there are any technology or software updates on our product.

INSTRUCTIONS

Grazie mille per aver scelto questo prodotto . Si prega di leggere tutte le istruzioni prima di utilizzarlo. Le informazioni ti aiuteranno a ottenere i migliori risultati possibili.

NOTARE CHE! I disegni contenuti in questo manuale servono solo a scopo illustrativo e in alcuni dettagli differire dal prodotto reale.

ATTENZIONE! Leggere tutte le avvertenze di sicurezza e tutte le istruzioni. La mancata osservanza delle avvertenze e delle istruzioni può provocare lesioni gravi o addirittura la morte. Il dispositivo o prodotto utilizzato nelle istruzioni di avvertenza si riferisce ai supporti per amache .

Questo prodotto non è un giocattolo o una cesta portagiochi. Non permettere ai bambini di giocare con questo oggetto. Utilizzare solo come previsto ed è necessario supervisionare i bambini per comprendere finalmente le regole dei passaggi dell'erpice trascinato.

SICUREZZA D'USO

19. Selezionare un'area per l'assemblaggio che sia pulita e priva di detriti che potrebbero far inciampare le persone che lavorano sull'assemblaggio.

20. Non sollevare parti o gruppi pesanti. Utilizzare gru, martinetti, paranchi, carrelli a forche o altri dispositivi meccanici.

21. Visualizza in anteprima le istruzioni di montaggio nel manuale dell'operatore prima di procedere oltre.

22. Se le istruzioni di montaggio richiedono il bloccaggio di parti o gruppi, utilizzare solo materiale di blocco che sia in buone condizioni e in grado di sostenere il peso del gruppo da bloccare. Assicurarsi inoltre che il materiale di bloccaggio si trovi su una superficie pulita e asciutta.

Non mettere mai le mani, o qualsiasi parte del corpo, sotto i gruppi ostruiti, se possibile.

23. Non mettere mai le mani, o qualsiasi parte del corpo, sotto i gruppi ostruiti, se possibile.

24. Dopo aver completato il montaggio, ispezionare attentamente la macchina per accertarsi che tutti i dadi, i bulloni, i raccordi idraulici o qualsiasi altro gruppo di fissaggio siano stati serrati a fondo.

Prima di utilizzare il prodotto - In caso di domande relative al corretto montaggio o

funzionamento, contattare il rivenditore o il rappresentante.

CONSERVA QUESTE ISTRUZIONI

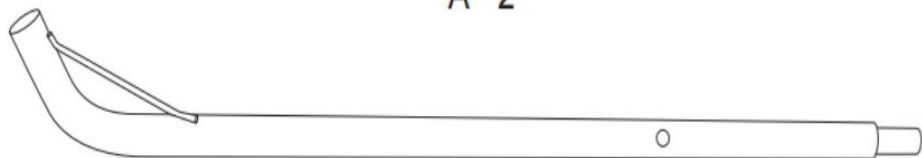
TECHNICAL PARAMETERS

Modello	HR-AHS-01	HR-AHS-02
Misurare	118 pollici	124 pollici
Portante	550 libbre	
Tipo	tipo di nave	
Colore	nero opaco	
Materiale	Tubo di acciaio	

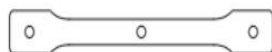
PARTS LIST



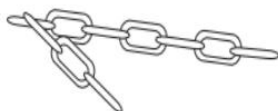
A * 2



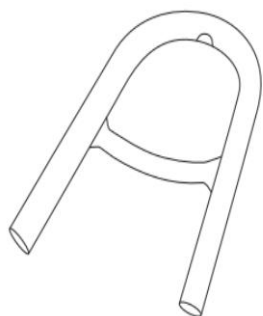
B * 4



C * 2



D * 2



E*2



F*4



G*2



H*2



J*4

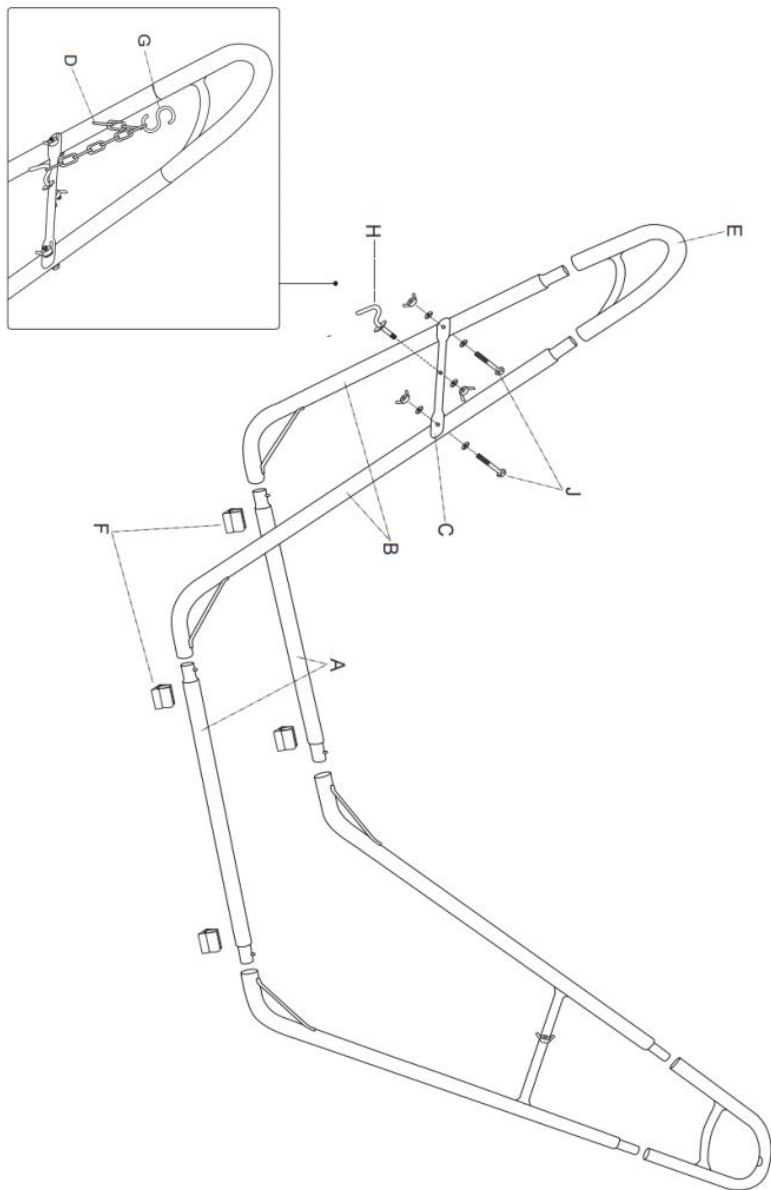


K*1

ASSEMBLY

Regola l'altezza dell'amaca appendendo la catena al gancio.

Nota: minore è il numero di catene utilizzate, maggiore sarà l'altezza dell'amaca da terra.



Indirizzo : Shuangchenglu 803nong11hao1602A-1609shi, baoshanqu, shanghai 200000 CN.

Importato in AUS: SIHAO PTY LTD, 1 ROKEVA STREETEASTWOOD NSW 2122 Australia

Importato negli Stati Uniti: Sanven Technology Ltd., Suite 250, 9166

Anaheim Place, Rancho Cucamonga, CA 91730

EC	REP
-----------	------------

E-CrossStu GmbH
Mainzer Landstr.69, 60329 Frankfurt am Main.

UK	REP
-----------	------------

YH CONSULTING LIMITED.
C/O YH Consulting Limited Office 147, Centurion House,
London Road, Staines-upon-Thames, Surrey, TW18 4AX

VEVOR[®]

TOUGH TOOLS, HALF PRICE

Tecnico Supporto e certificato di garanzia elettronica

www.vevor.com/support

VEVOR[®]

TOUGH TOOLS, HALF PRICE

Técnico Certificado de soporte y garantía electrónica

www.vevor.com/support

SOPORTES PARA HAMACAS de USUARIO

We continue to be committed to provide you tools with competitive price.

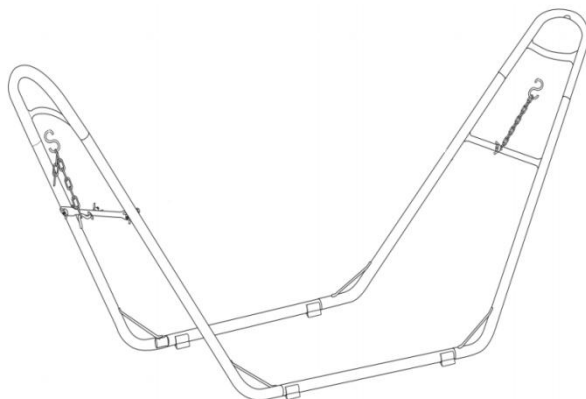
"Save Half", "Half Price" or any other similar expressions used by us only represents an estimate of savings you might benefit from buying certain tools with us compared to the major top brands and does not necessarily mean to cover all categories of tools offered by us. You are kindly reminded to verify carefully when you are placing an order with us if you are actually saving half in comparison with the top major brands.

VEVOR[®]

TOUGH TOOLS, HALF PRICE

HAMMOCK STANDS

Modelo: HR-AHS-01 HR-AHS-02



NEED HELP? CONTACT US!

Have product questions? Need technical support? Please feel free to contact us:

Technical Support and E-Warranty Certificate
www.vevor.com/support

This is the original instruction, please read all manual instructions carefully before operating. VEVOR reserves a clear interpretation of our user manual. The appearance of the product shall be subject to the product you received. Please forgive us that we won't inform you again if there are any technology or software updates on our product.

INSTRUCTIONS

Muchas gracias por elegir este producto . Lea todas las instrucciones antes de usarlo. La información le ayudará a lograr los mejores resultados posibles.

¡TENGA EN CUENTA! Los dibujos de este manual son para Sólo con fines ilustrativos y en algunos detalles puede difieren del producto real.

¡ATENCIÓN! Lea todas las advertencias de seguridad y todas las instrucciones.

El incumplimiento de las advertencias e instrucciones puede provocar lesiones graves o incluso la muerte. El dispositivo o producto utilizado en las instrucciones de advertencia se refiere a Soportes para hamacas .

Este producto no es un juguete ni un baúl de juguetes. No permita que los niños jueguen con este artículo. Úselo únicamente según lo previsto y es necesario supervisar a los niños para que finalmente comprendan las reglas de los pasos de la grada de arrastre.

SEGURIDAD DE USO

25. Seleccione un área para el ensamblaje que esté limpia y libre de residuos que puedan causar tropiezos a las personas que trabajan en el ensamblaje.

26. No levante piezas o conjuntos pesados. Utilice grúa, gato, aparejos, carretillas elevadoras u otros dispositivos mecánicos.

27. Obtenga una vista previa de las instrucciones de montaje en el manual del operador antes de continuar.

28. Si las instrucciones de montaje exigen que se bloqueen piezas o conjuntos, utilice únicamente material de bloque que esté en buenas condiciones y sea capaz de soportar el peso del conjunto que se va a bloquear. También asegúrese de que el material de bloqueo esté sobre una superficie limpia y seca.

Nunca coloque las manos ni ninguna parte del cuerpo debajo de conjuntos bloqueados, si es posible.

29. Nunca coloque las manos ni ninguna parte del cuerpo debajo de conjuntos bloqueados, si es posible.

30. Después de completar el ensamblaje, inspeccione minuciosamente la máquina para asegurarse de que todas las tuercas, pernos, accesorios

hidráulicos o cualquier otro conjunto de sujetadores hayan sido apretados completamente.

Antes de usar el producto - si tiene alguna pregunta sobre el correcto montaje o funcionamiento, póngase en contacto con su distribuidor o representante.

GUARDA ESTAS INSTRUCCIONES

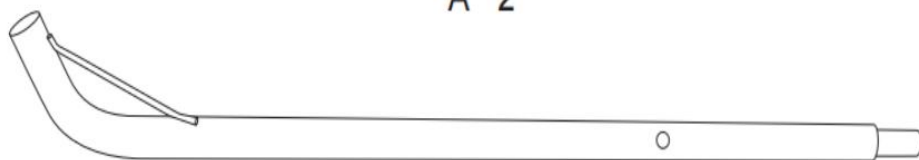
TECHNICAL PARAMETERS

Modelo	HR-AHS-01	HR-AHS-02
Tamaño	118 pulgadas	124 pulgadas
Cargar los portes	550 libras	
Tipo	tipo de barco	
Color	negro mate	
Material	Tubo de acero	

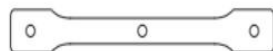
PARTS LIST



A * 2



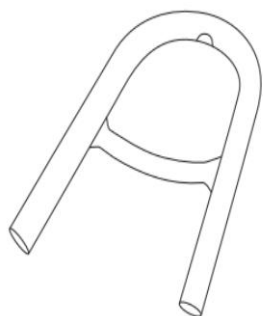
B * 4



C * 2



D * 2



E*2



F*4



G*2



H*2



J*4

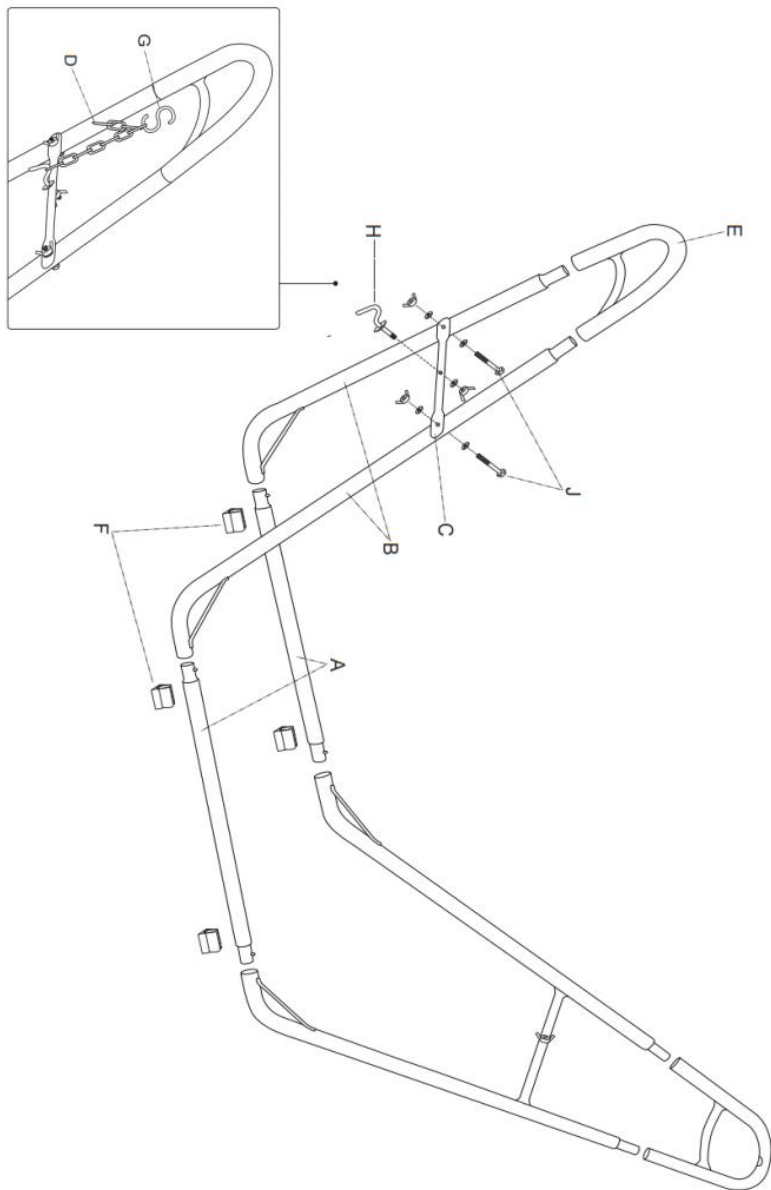


K*1

ASSEMBLY

Ajusta la altura de la hamaca colgando la cadena en el gancho.

Nota: Cuanto menor sea el número de cadenas utilizadas, más alta estará la hamaca del suelo.



Dirección : Shuangchenglu 803nong11hao1602A-1609shi, baoshanqu, shanghai 200000 CN.

Importado a AUS: SIHAO PTY LTD, 1 ROKEVA STREETEASTWOOD NSW 2122 Australia

Importado a EE. UU.: Sanven Technology Ltd., Suite 250, 9166 Anaheim

Place, Rancho Cucamonga, CA 91730

EC	REP
-----------	------------

E-CrossStu GmbH
Mainzer Landstr.69, 60329 Frankfurt am Main.

UK	REP
-----------	------------

YH CONSULTING LIMITED.
C/O YH Consulting Limited Office 147, Centurion House,
London Road, Staines-upon-Thames, Surrey, TW18 4AX

VEVOR®

TOUGH TOOLS, HALF PRICE

Técnico Certificado de soporte y garantía electrónica

www.vevor.com/support

VEVOR[®]

TOUGH TOOLS, HALF PRICE

Techniczny Certyfikat wsparcia i e-gwarancji

www.vevor.com/support

STOJAKI DO HAMAKÓW

INSTRUKCJA obsługi

We continue to be committed to provide you tools with competitive price.

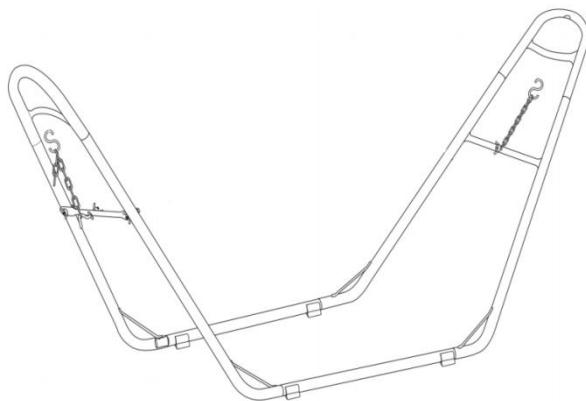
"Save Half", "Half Price" or any other similar expressions used by us only represents an estimate of savings you might benefit from buying certain tools with us compared to the major top brands and does not necessarily mean to cover all categories of tools offered by us. You are kindly reminded to verify carefully when you are placing an order with us if you are actually saving half in comparison with the top major brands.

VEVOR[®]

TOUGH TOOLS, HALF PRICE

HAMMOCK STANDS

Model: HR-AHS-01 HR-AHS-02



NEED HELP? CONTACT US!

Have product questions? Need technical support? Please feel free to contact us:

Technical Support and E-Warranty Certificate
www.vevor.com/support

This is the original instruction, please read all manual instructions carefully before operating. VEVOR reserves a clear interpretation of our user manual. The appearance of the product shall be subject to the product you received. Please forgive us that we won't inform you again if there are any technology or software updates on our product.

INSTRUCTIONS

Dziękuję bardzo za wybór tego produktu . Przed użyciem przeczytaj całą instrukcję. Informacje te pomogą Ci osiągnąć najlepsze możliwe rezultaty. **PROSZĘ ZANOTOWAĆ!** Rysunki w tej instrukcji służą do: wyłącznie w celach ilustracyjnych i w niektórych szczegółach może różnić się od rzeczywistego produktu.

UWAGA! Przeczytaj wszystkie ostrzeżenia dotyczące bezpieczeństwa i wszystkie instrukcje. Niezastosowanie się do ostrzeżeń i instrukcji może spowodować

poważne obrażenia, a nawet śmierć. Urządzenie lub produkt użyte w instrukcjach ostrzegawczych określa się jako stojaki do hamaków .

Ten produkt nie jest zabawką ani skrzynią na zabawki. Nie pozwalaj dzieciom bawić się tym przedmiotem. Używaj wyłącznie zgodnie z przeznaczeniem i musisz nadzorować dzieci, aby w końcu zrozumieć zasady działania brony wleczonej.

BEZPIECZEŃSTWO UŻYTKOWANIA

31. Wybierz miejsce montażu, które jest czyste i wolne od zanieczyszczeń, które mogłyby spowodować potknięcie się osób pracujących przy montażu.

32. Nie podnosić ciężkich części ani zespołów. Używaj dźwigu, podnośnika, sprzętu, wózków widłowych lub innych urządzeń mechanicznych.

33. Zanim przejdziesz dalej, przejrzyj instrukcje montażu w instrukcji obsługi .

34. Jeśli instrukcja montażu wymaga zablokowania części lub zespołów, należy używać wyłącznie materiału blokowego, który jest w dobrym stanie i jest w stanie unieść ciężar zablokowanego zespołu. Upewnij się również, że materiał blokujący znajduje się na czystej, suchej powierzchni.

Jeśli to możliwe, nigdy nie wkładaj rąk ani żadnej części ciała pod zablokowane zespoły.

35. Jeśli to możliwe, nigdy nie wkładaj rąk ani żadnej części ciała pod zablokowane zespoły.

36. Po zakończeniu montażu dokładnie sprawdź maszynę, aby upewnić się, że wszystkie nakrętki, śruby, złącza hydrauliczne i inne elementy złączne zostały dokładnie dokręcone.

Przed użyciem produktu - jeśli masz jakiegokolwiek pytania dotyczące prawidłowego montażu lub działania, skontaktuj się ze sprzedawcą lub przedstawicielem.

ZACHOWAJ TE INSTRUKCJE

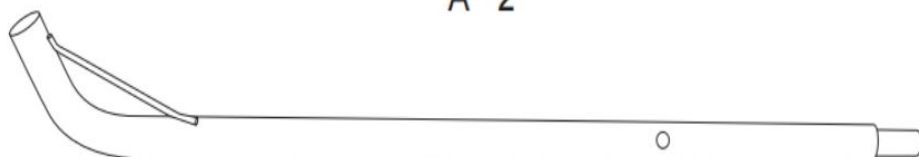
TECHNICAL PARAMETERS

Model	HR-AHS-01	HR-AHS-02
Rozmiar	118 cali	124 cale
Łożysko	550 funtów	
Typ	typ statku	
Kolor	matowa czerń	
Materiał	Stalowa rurka	

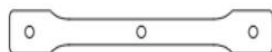
PARTS LIST



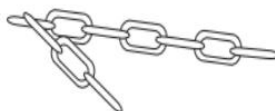
A * 2



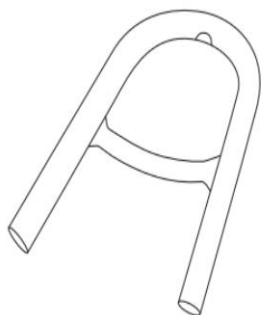
B * 4



C * 2



D * 2



E*2



F*4



G*2



H*2



J*4

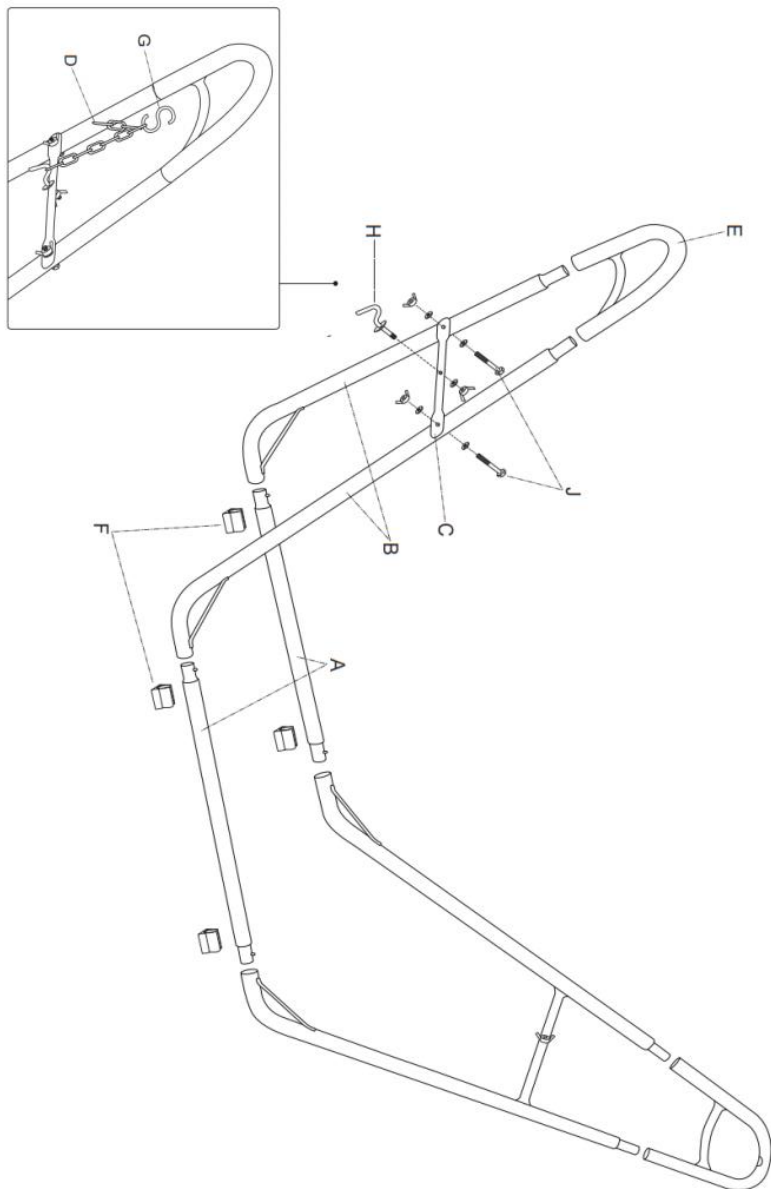


K*1

ASSEMBLY

Wyreguluj wysokość hamaka zawieszając łańcuszek na haku.

Uwaga: im mniejsza liczba zastosowanych łańcuszków, tym wyżej hamak znajduje się nad ziemią.



Adres : Shuangchenglu 803nong11hao1602A-1609shi, baoshanqu, szanghaj 200000 CN.

Import do AUS: SIHAO PTY LTD, 1 ROKEVA STREET EASTWOOD NSW 2122 Australia

Import do USA: Sanven Technology Ltd., Suite 250, 9166 Anaheim Place,

Rancho Cucamonga, CA 91730

EC	REP
-----------	------------

E-CrossStu GmbH
Mainzer Landstr.69, 60329 Frankfurt am Main.

UK	REP
-----------	------------

YH CONSULTING LIMITED.
C/O YH Consulting Limited Office 147, Centurion House,
London Road, Staines-upon-Thames, Surrey, TW18 4AX

VEVOR®

TOUGH TOOLS, HALF PRICE

Techniczny Certyfikat wsparcia i e-gwarancji

www.vevor.com/support

VEVOR[®]

TOUGH TOOLS, HALF PRICE

Technisch Ondersteuning en e-garantiecertificaat

www.vevor.com/support

HANGMATSTANDAARDS

Handleiding

We continue to be committed to provide you tools with competitive price.

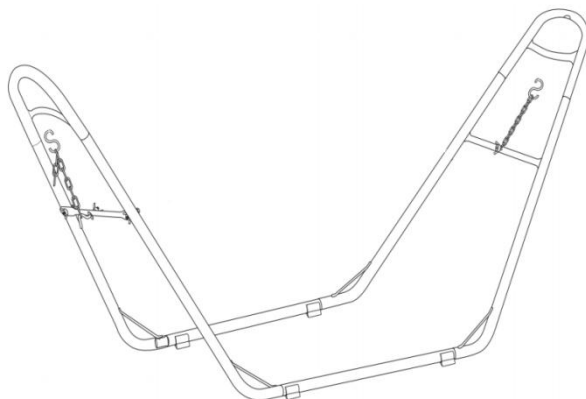
"Save Half", "Half Price" or any other similar expressions used by us only represents an estimate of savings you might benefit from buying certain tools with us compared to the major top brands and does not necessarily mean to cover all categories of tools offered by us. You are kindly reminded to verify carefully when you are placing an order with us if you are actually saving half in comparison with the top major brands.

VEVOR[®]

TOUGH TOOLS, HALF PRICE

HAMMOCK STANDS

Model: HR-AHS-01 HR-AHS-02



NEED HELP? CONTACT US!

Have product questions? Need technical support? Please feel free to contact us:

Technical Support and E-Warranty Certificate
www.vevor.com/support

This is the original instruction, please read all manual instructions carefully before operating. VEVOR reserves a clear interpretation of our user manual. The appearance of the product shall be subject to the product you received. Please forgive us that we won't inform you again if there are any technology or software updates on our product.

INSTRUCTIONS

Hartelijk dank voor het kiezen van dit product . Lees alle instructies voordat u het gebruikt. De informatie zal u helpen de best mogelijke resultaten te bereiken.

HOUD ER REKENING MEE DAT! De tekeningen in deze handleiding zijn bedoeld voor alleen ter illustratie en in sommige details mogelijk afwijken van het daadwerkelijke product.

AANDACHT! Lees alle veiligheidswaarschuwingen en alle instructies. Het niet opvolgen van de waarschuwingen en instructies kan leiden tot ernstig letsel of zelfs de dood. Het apparaat of product dat in de waarschuwingsinstructies wordt gebruikt, wordt verwezen naar Hangmatstandaards .

Dit product is geen speelgoed of speelgoedkist. Laat kinderen niet met dit artikel spelen. Gebruik alleen zoals bedoeld en moet toezicht houden op de kinderen om de stapregels van de sleepeg eindelijk te begrijpen.

GEBRUIKSVEILIGHEID

37. Kies een plaats voor de montage die schoon is en vrij van vuil waardoor personen die aan de montage werken kunnen struikelen.

38. Til geen zware onderdelen of constructies op. Gebruik een kraan, krik, takel, vorkheftrucks of andere mechanische apparaten.

39. Bekijk een voorbeeld van de montage-instructies in de gebruikershandleiding voordat u verder gaat.

40. Indien de montage-instructies voorschrijven dat onderdelen of samenstellingen moeten worden opgesloten, gebruik dan uitsluitend blokmateriaal dat in goede staat verkeert en in staat is het gewicht van de te blokkeren samenstelling te dragen. Zorg er ook voor dat het opsluitmateriaal zich op een schone, droge ondergrond bevindt.

Plaats indien mogelijk nooit uw handen of enig ander lichaamsdeel onder geblokkeerde delen.

41. Plaats indien mogelijk nooit uw handen of enig ander lichaamsdeel onder geblokkeerde delen.

42. Nadat de montage is voltooid, inspecteert u de machine grondig om er zeker van te zijn dat alle moeren, bouten, hydraulische fittingen of andere bevestigingsmiddelen goed zijn vastgedraaid.

Voordat u het product gebruikt - Als u vragen heeft over de juiste montage of bediening, neem dan contact op met uw dealer of vertegenwoordiger.

BEWAAR DEZE INSTRUCTIES

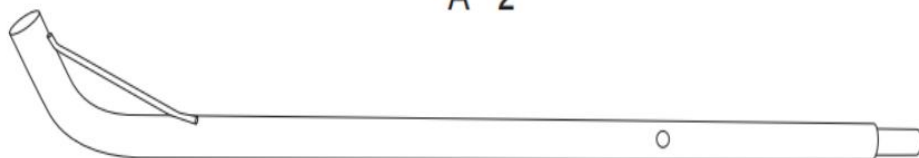
TECHNICAL PARAMETERS

Model	HR-AHS-01	HR-AHS-02
Maat	118 inch	124 inch
Lastdragend	550 pond	
Type	soort schip	
Kleur	mat zwart	
Materiaal	Stalen buis	

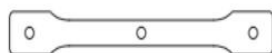
PARTS LIST



A * 2



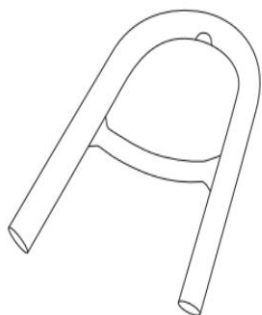
B * 4



C * 2



D * 2



E*2



F*4



G*2



H*2



J*4

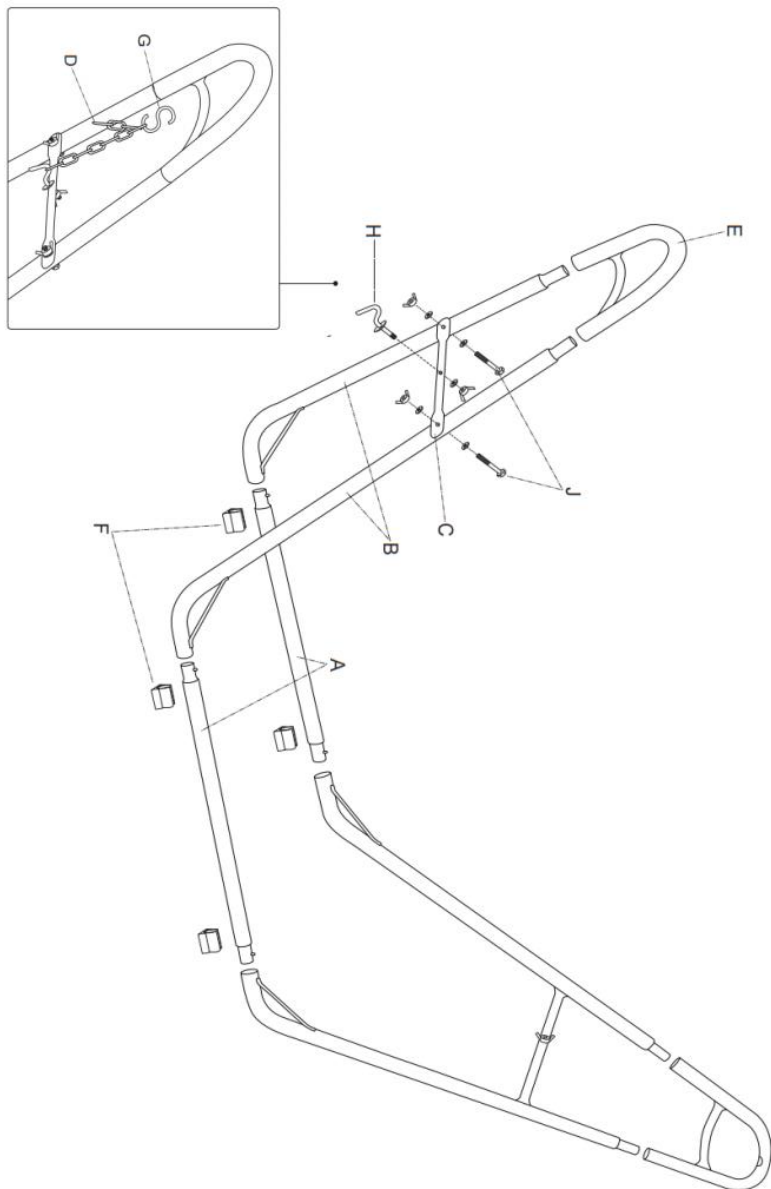


K*1

ASSEMBLY

Pas de hoogte van de hangmat aan door de ketting aan de haak te hangen.

Let op: Hoe lager het aantal gebruikte kettingen, hoe hoger de hangmat van de grond is.



Adres : Shuangchenglu 803nong11hao1602A-1609shi, baoshanqu, shanghai 200000 CN.

Geïmporteerd naar AUS: SIHAO PTY LTD, 1 ROKEVA STREETEASTWOOD NSW 2122 Australië

Geïmporteerd naar de VS: Sanven Technology Ltd., Suite 250, 9166

Anaheim Place, Rancho Cucamonga, CA 91730

EC	REP
-----------	------------

E-CrossStu GmbH
Mainzer Landstr.69, 60329 Frankfurt am Main.

UK	REP
-----------	------------

YH CONSULTING LIMITED.
C/O YH Consulting Limited Office 147, Centurion House,
London Road, Staines-upon-Thames, Surrey, TW18 4AX

VEVOR®

TOUGH TOOLS, HALF PRICE

Technisch Ondersteuning en e-garantiecertificaat

www.vevor.com/support

VEVOR[®]

TOUGH TOOLS, HALF PRICE

Teknisk Support och e-garanticertifikat

www.vevor.com/support

HÄNGMATTAN STATIV

Användarmanual

We continue to be committed to provide you tools with competitive price.

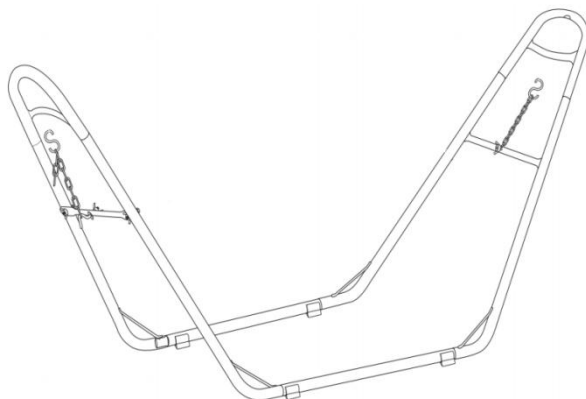
"Save Half", "Half Price" or any other similar expressions used by us only represents an estimate of savings you might benefit from buying certain tools with us compared to the major top brands and does not necessarily mean to cover all categories of tools offered by us. You are kindly reminded to verify carefully when you are placing an order with us if you are actually saving half in comparison with the top major brands.

VEVOR®

TOUGH TOOLS, HALF PRICE

HAMMOCK STANDS

Modell: HR-AHS-01 HR-AHS-02



NEED HELP? CONTACT US!

Have product questions? Need technical support? Please feel free to contact us:

Technical Support and E-Warranty Certificate
www.vevor.com/support

This is the original instruction, please read all manual instructions carefully before operating. VEVOR reserves a clear interpretation of our user manual. The appearance of the product shall be subject to the product you received. Please forgive us that we won't inform you again if there are any technology or software updates on our product.

INSTRUCTIONS

Tack så mycket för att du valde denna produkt . Läs alla instruktioner innan du använder den. Informationen hjälper dig att uppnå bästa möjliga resultat.

VÄNLIGEN NOTERA! Ritningar i denna handbok är till för endast i illustrationssyfte och i vissa detaljer kan skilja sig från den faktiska produkten.

UPPMÄRKSAMHET! Läs alla säkerhetsvarningar och alla instruktioner. Underlåtenhet att följa varningarna och instruktionerna kan leda till allvariga skador eller till och med dödsfall. Enheten eller produkten som används i varningsanvisningarna hänvisas till hängmattor .

Denna produkt är inte en leksak eller en leksakskrin. Tillåt inte barn att leka med detta föremål. Använd endast på avsett sätt och behöver övervaka barnen för att förstå stegreglerna för dragharven äntligen.

ANVÄNDNINGSSÄKERHET

43. Välj ett område för montering som är rent och fritt från skräp som kan få personer som arbetar på enheten att snubbla.

44. Lyft inte tunga delar eller enheter. Använd kran, domkraft, redskap, gaffeltruckar eller andra mekaniska anordningar.

45. Förhandsgranska monteringsinstruktionerna i din bruksanvisning innan du fortsätter.

46. Om monteringsanvisningen kräver att delar eller sammansättningar ska blockeras, använd endast blockmaterial som är i gott skick och som kan hantera vikten av enheten som ska blockeras. Se också till att blockeringsmaterialet ligger på en ren, torr yta.

Placera aldrig händer eller någon del av kroppen under blockerade enheter om det alls är möjligt.

47. Placera aldrig händer eller någon del av kroppen under blockerade enheter om det alls är möjligt.

48. Efter avslutad montering, inspektera maskinen noggrant för att vara säker på att alla muttrar, bultar, hydrauliska kopplingar eller andra fästnanordningar har dragits åt ordentligt.

Innan du använder produkten - om du har några frågor angående korrekt

montering eller användning, kontakta din återförsäljare eller representant.

SPARA DESSA INSTRUKTIONER

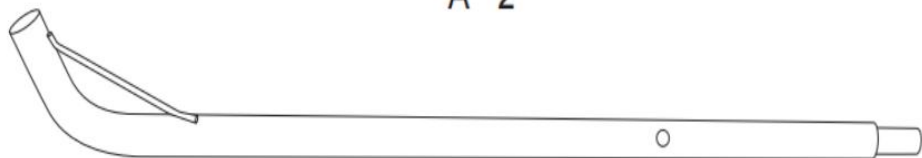
TECHNICAL PARAMETERS

Modell	HR-AHS-01	HR-AHS-02
Storlek	118 tum	124 tum
Bärande	550 lbs	
Typ	fartygstyp	
Färg	matte svart	
Material	Ståltub	

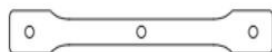
PARTS LIST



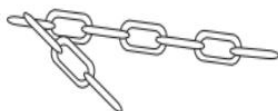
A * 2



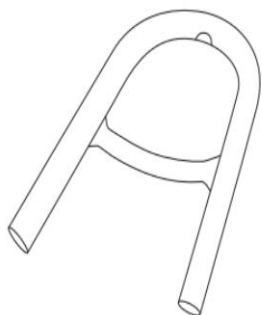
B * 4



C * 2



D * 2



E*2



F*4



G*2



H*2



J*4

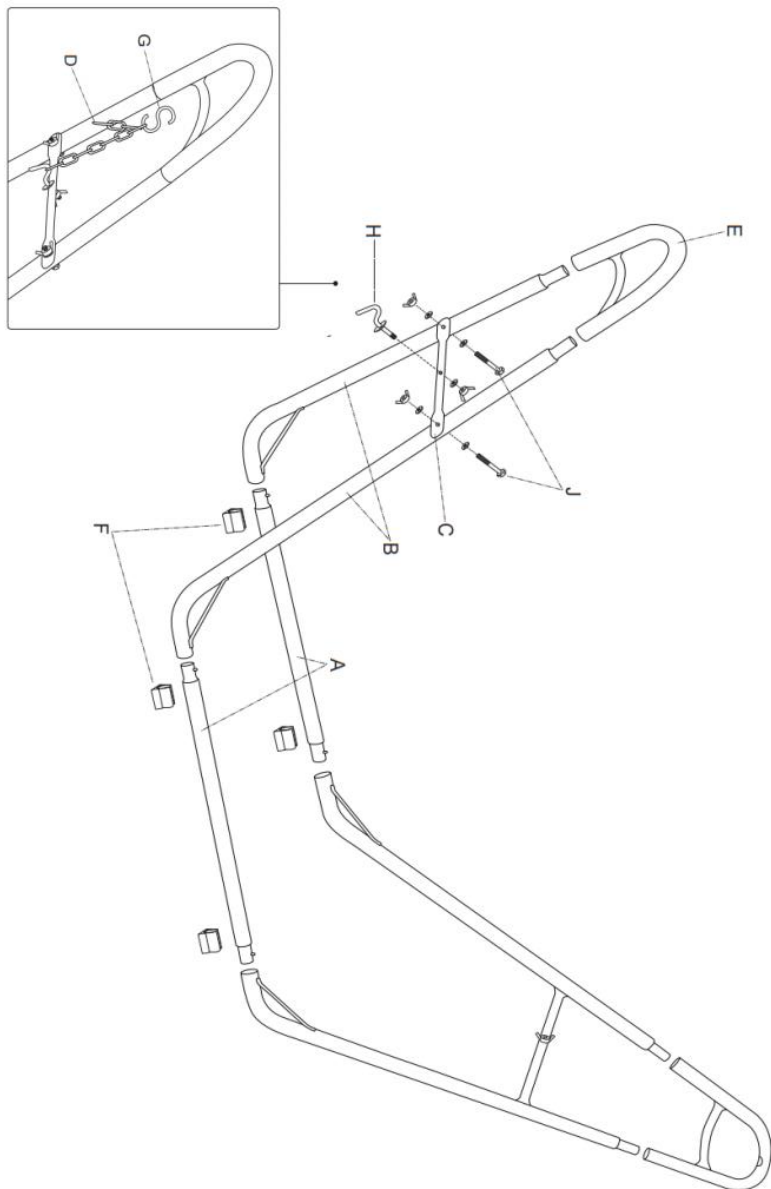


K*1

ASSEMBLY

Justera höjden på hängmattan genom att hänga kedjan på kroken.

Obs: Ju lägre antal kedjor som används, desto högre är hängmattan från marken.



Adress : Shuangchenglu 803nong11hao1602A-1609shi, baoshanqu, shanghai 200000 CN.

Importerad till AUS: SIHAO PTY LTD, 1 ROKEVA STREETEASTWOOD NSW 2122 Australien

Importerad till USA: Sanven Technology Ltd., Suite 250, 9166 Anaheim

Place, Rancho Cucamonga, CA 91730

EC	REP
-----------	------------

E-CrossStu GmbH
Mainzer Landstr.69, 60329 Frankfurt am Main.

UK	REP
-----------	------------

YH CONSULTING LIMITED.
C/O YH Consulting Limited Office 147, Centurion House,
London Road, Staines-upon-Thames, Surrey, TW18 4AX

VEVOR®

TOUGH TOOLS, HALF PRICE

Teknisk Support och e-garanticertifikat

www.vevor.com/support