

Operator's Manual

SNAPPER®

22" WALK BEHIND MOWERS



Model No. Description

7800604	S22675
7800605	SP22675
7800607	NS22675
7800608	NSP22675



Thank You for purchasing this quality-built Snapper mower. We're pleased that you placed your confidence in the Snapper brand. When operated and maintained according to the instructions in this manual, your Snapper mower will provide many years of dependable service.

This manual contains safety information to make you aware of the hazards and risks associated with the machine and how to avoid them. This machine is designed and intended only for finish cutting of established lawns and is not intended for any other purpose. It is important that you read and understand these instructions thoroughly before attempting to start or operate this equipment. **Save these original instructions for future reference.**

Complete the following information on your Snapper purchase.

Date of Purchase _____

Retailer _____

Retailer's Phone Number _____

Equipment

Model Number _____

Serial Number _____

Engine

Model _____ Type _____ Code _____

SNAPPER is a trademark of
Briggs & Stratton Power Products Group, LLC
Milwaukee, WI, USA.

Copyright © 2010, Briggs & Stratton Corporation
Milwaukee, WI, USA. All Rights Reserved.



Table of Contents

Operator Safety	4
Assembly	6
Unpacking	6
Handle	6
Handle Height	7
Grass Bag	8
Side Discharge Deflector	10
Mulching Tips	11
How to Prepare the Engine	11
Final Preparation	11
Operation	12
Engine Stop Lever	12
Front Wheel Drive System (Self-Propelled Units)	12
Stopping the Engine	12
Starting the Engine	13
Rules for Safe and Effective Operation	13
Maintenance	14
Maintenance Chart	14
Engine Maintenance	15
Engine Tipping	15
Cleaning the Mower Housing	15
Lubrication	15
Adjusting the Height of Cut	15
Adjusting the Drive Cable	16
Preparing the Mower for Storage	17
Troubleshooting	18
Warranty	19



WARNING



Battery posts, terminals and related accessories contain lead and lead compounds, chemicals known to the State of California to cause cancer and birth defects or other reproductive harm. Wash hands after handling.



WARNING



Engine exhaust, some of its constituents, and certain vehicle components contain or emit chemicals known to the State of California to cause cancer or other reproductive harm.

Operator Safety



WARNING: This powerful cutting machine is capable of amputating hands and feet and can throw objects that can cause injury and damage! Failure to comply with the following SAFETY instructions could result in serious injury or death to the operator or other persons. The owner of the machine must understand these instructions and must allow only persons who understand these instructions to operate machine. Each person operating the machine must be of sound mind and body and must not be under the influence of any substance, which might impair vision, dexterity or judgment. If you have any questions pertaining to your machine which your dealer cannot answer to your satisfaction, call or write the Customer Service Department at SNAPPER, McDonough, Georgia 30253. Phone: (1-800-317-7833).

Protection for Children

Tragic accidents can occur if the operator is not alert to the presence of children. Children are often attracted to the machine and the mowing activity. Never assume that children will remain where you last saw them.

1. KEEP children out of the mowing area and under the watchful care of a responsible adult other than the operator.
2. DO NOT allow children in yard when machine is operated and turn machine OFF if anyone enters the area.
3. DO NOT allow pre-teenage children to operate machine.
4. ALLOW only responsible adults & teenagers with mature judgment under close adult supervision to operate machine.
5. DO NOT pull mower backwards unless absolutely necessary. LOOK and SEE behind and down for children, pets and hazards before and while backing.
6. USE EXTRA CARE when approaching blind corners, shrubs, trees, or other objects that may obscure vision.

Slope Operation

1. Slopes are a major factor related to slip and fall accidents, which can result in severe injury. All slopes require extra caution. If you feel uneasy on a slope, DO NOT mow it.
2. Mow across slopes, never up-and-down. Exercise extreme CAUTION when changing directions on slopes. DO NOT mow steep slopes or other areas where stability or traction is in doubt. Refer to the Slope Guide at the end of this manual.
3. Use extra care with grass catchers or other attachments; these affect the handling and the stability of the machine.

Preparation

1. Read, understand, and follow instructions and warnings in this manual and on the mower, engine and attachments. Know the controls and the proper use of the mower before starting.
2. Only mature, responsible persons shall operate the machine and only after proper instruction.
3. Data indicates that operators age 60 and above, are involved in a large percentage of mower-related injuries. These operators should evaluate their ability to operate the mower safely enough to protect themselves and others from serious injury.

Preparation

(Continued From Previous Column)

4. Handle fuel with extra care. Fuels are flammable and vapors are explosive. Use only an approved fuel container. DO NOT remove fuel cap or add fuel with engine running. Add fuel outdoors only with engine stopped and cool. Clean spilled fuel and oil from machine. DO NOT smoke.
5. Check the area to be mowed and remove all objects such as toys, wire, rocks, limbs and other objects that could cause injury if thrown by blade or interfere with mowing. Also note the location of holes, stumps, and other possible hazards.
6. Keep people and pets out of the mowing area. Immediately, STOP Blade, Stop engine and Stop mower if anyone enters the area.
7. Check shields, deflectors, switches, blade controls and other safety devices frequently for proper operation and location.
8. Make sure all safety decals are clearly legible. Replace if damaged.
9. Protect yourself when mowing and wear safety glasses, a dust mask, long pants, and substantial footwear. DO NOT mow barefooted or with sandals.
10. Know how to STOP blade and engine quickly in preparation for emergencies.
11. Use extra care when loading or unloading the machine into a trailer or truck.
12. Check grass catcher components frequently for signs of wear or deterioration and replace as needed to prevent injury from thrown objects going through weak or torn spots.

Safe Handling of Gasoline

To avoid personal injury or property damage, use extreme care in handling gasoline. Gasoline is extremely flammable and the vapors are explosive.

1. Extinguish all cigarettes, cigars, pipes and other sources of ignition.
2. Use only an approved fuel container.
3. DO NOT remove fuel cap or add fuel with the engine running. Allow the engine to cool before refueling.
4. DO NOT refuel the machine indoors.
5. DO NOT store the machine or fuel container inside where there is an open flame, spark or pilot light such as on a water heater or other appliances.

Safe Handling of Gasoline (Continued From Previous Page)

6. DO NOT fill fuel containers inside a vehicle or on a truck or trailer bed with a plastic liner. Always place the containers on the ground away from the vehicle before filling.
7. Remove gas-powered equipment from the vehicle or trailer and refuel it on the ground. If this is not possible, then refuel equipment using a portable container, rather than a gasoline dispenser nozzle.
8. DO NOT start gas powered equipment in enclosed vehicles or trailers.
9. Keep the nozzle in contact with the rim of the fuel tank or container opening at all times until fueling is complete. DO NOT use a nozzle lock-open device
10. If fuel is spilled on clothing, change clothing immediately.
11. DO NOT overfill a fuel tank. Replace fuel cap and tighten securely.

Operation

1. DO NOT put hands or feet near or under rotating parts. Keep clear of discharge area while engine is running.
2. STOP engine when crossing gravel drives, walks, or roads, and under any conditions where thrown objects might be a hazard.
3. Mow only in daylight or good artificial light.
4. DO NOT operate mower while under the influence of alcohol or drugs.
5. After striking a foreign object or if mower vibrates abnormally, STOP the engine, disconnect and secure spark plug wire. Inspect the mower for any damage and repair the damage before starting.
6. DO NOT mow near drop offs, ditches or embankments. Operator could lose footing or balance.
7. STAY ALERT for holes and other hidden hazards. Tall grass can hide obstacles. Keep away from ditches, washouts, culverts, fences and protruding objects.
8. DO NOT mow on wet grass. Always be sure of your footing. Keep a firm hold on the handle and walk, never run. Slipping could cause injury.
9. ALWAYS stay behind handle when engine (motor) is running.
10. DO NOT leave the machine with the engine running. STOP BLADE and STOP ENGINE before leaving the operators position for any reason.
11. Before cleaning, repairing or inspecting make certain engine, blade and all moving parts have STOPPED. Disconnect and secure spark plug wire away from plug to prevent accidental starting.
12. STOP engine and wait until the blade comes to complete STOP before removing grass bag and/or clearing grass.

Operation (Continued From Previous Column)

13. DO NOT operate mower without the entire grass catcher, or guards in place discharge guard, rear guard or other safety devices in place and working. DO NOT point discharge at people, passing cars, windows or doors.
14. DO NOT discharge material against a wall or obstruction. Material may ricochet back towards the operator.
15. Slow down before turning.
16. Watch out for traffic when near or crossing roadways.
17. DO NOT operate engine in enclosed areas. Engine exhaust gases contain carbon monoxide, a deadly poison.
18. Only use accessories approved by the manufacturer. See manufacturer's instructions for proper operation and installation of accessories.

Maintenance and Storage

1. DO NOT store mower or fuel container inside where fumes may reach an open flame, spark or pilot light such as in a water heater, furnace, clothes dryer or other gas appliance. Allow engine to cool before storing machine in an enclosure. Store fuel container out of reach of children in a well ventilated, unoccupied building.
2. Keep mower and engine free of grass, leaves or excess grease to reduce fire hazard and engine overheating.
3. When draining fuel tank, drain fuel into an approved container outdoors and away from open flame.
4. Keep all bolts, especially blade bolts, nuts and screws properly tight. Check that all cotter pins are in proper position.
5. Always provide adequate ventilation when running engine. Engine exhaust gases contain carbon monoxide, a deadly poison.
6. Service engine and make adjustments only when engine is stopped. Removed spark plug wire from spark plug and secure wire away from spark plug to prevent accidental starting.
7. DO NOT change engine governor speed settings or overspeed engine.
8. Check grass bag assembly frequently for wear or deterioration to avoid thrown objects and exposure to moving parts. Replace with new bag if loose seams or tears are evident. Replace slider or bag adapter if broken or cracked.
9. Mower blades are sharp and can cut. Wrap the blades or wear heavy leather gloves and use CAUTION when handling them.
10. DO NOT test for spark by grounding spark plug next to spark plug hole; spark plug could ignite gas exiting engine.
11. Have machine serviced by an authorized dealer at least once a year and have the dealer install any new safety devices.
12. Use only genuine replacement parts to assure that original standards are maintained.

Assembly



WARNING: Before doing any assembly or maintenance to the mower, remove the wire from the spark plug.

NOTE: In this instruction book, left and right describe the location of a part with the operator standing behind the handle.

Unpacking

The mower was fully assembled at the factory. When the mower was put in the carton, the handle was put in the storage position. To put the handle in the operating position, follow the steps below.

Handle

1. Remove the mower from the carton.
2. Remove all packing material from the mower and the handle.
3. Remove the wingnuts (**A, Figure 1**), washers (not shown), and bolts from the right and left handle brackets (**B**).

NOTE: Do not remove the lower set of handle hardware (**D**).

Raise the lower handle, aligning it with one of the three sets of holes in the handle brackets (**C**). Reinstall the bolts, washers and wingnuts.

Quick-release (optional): Turn the knobs (**A, Figure 1a**) on either side of the lower handle (**B**) to retract the locking pins. Raise the lower handle, aligning it with one of the three sets of holes in the handle brackets (**C**). Turn the knobs to release the locking pins and secure the lower handle.

4. Put the upper handle (**A, Figure 2**) in the operating (upright) position. Tighten the wingnuts (**B**).

NOTE: The height of the handle can be set for operator comfort. See "Handle Height".

CAUTION: Be careful when you fold or raise the handle. Do not damage the cables. A cable that is bent will not work correctly. Before you use the unit, replace a bent or damaged cable.

5. Hold the engine stop lever against the handle. (Refer to section entitled 'Engine Stop Lever'.) Slowly pull the recoil-start grip (**A, Figure 3**). To attach the recoil-start grip to the rope guide (**B**), twist the rope through the rope guide mounted on the right side of the handle.

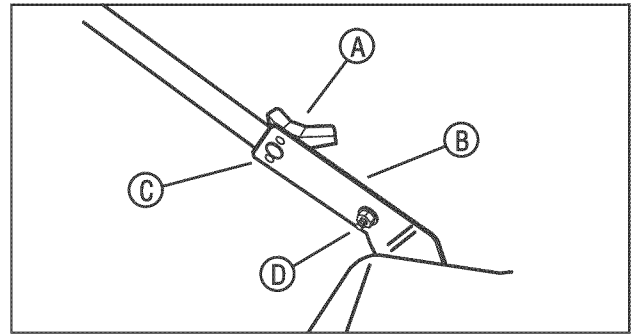


Figure 1: Unfolding the lower handle

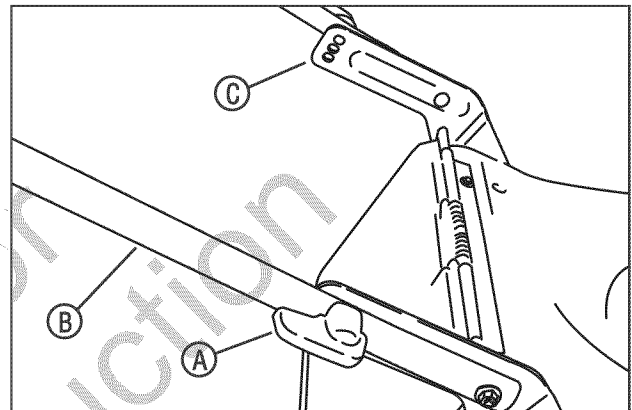


Figure 1a: Unfolding the lower handle (quick-release)

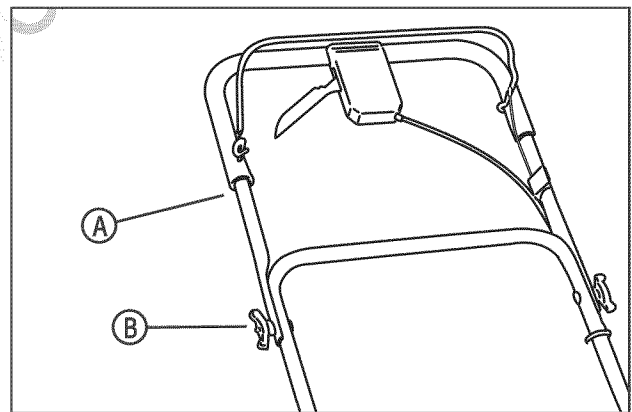


Figure 2: Unfolding the upper handle

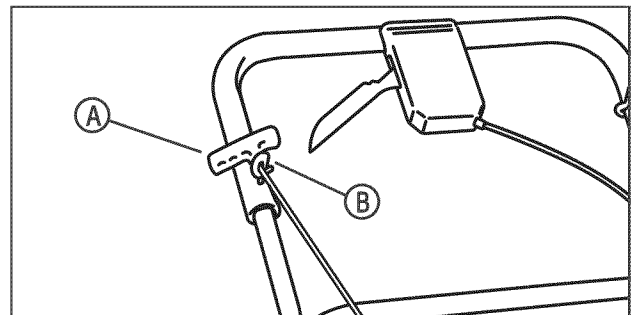


Figure 3: Attaching the recoil-start grip

Handle Height

1. Remove the wingnuts (**A**, **Figure 4**), washers (not shown), and bolts from the right and left handle brackets (**B**).

*Note: Do not remove the lower set of handle hardware (**D**).*

2. Adjust the handle to a higher or lower height adjustment hole (**C**).
3. Reinstall the bolts, washers and wingnuts removed in Step 1.

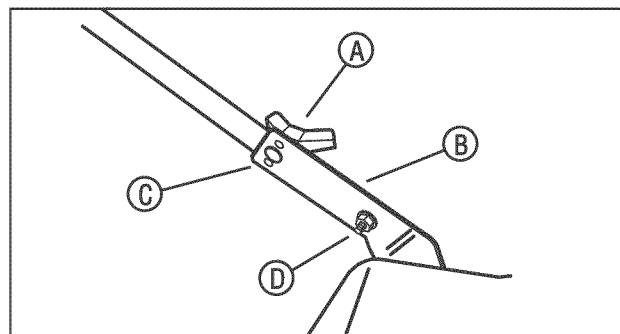


Figure 4: Adjusting the handle height

Handle Height (optional quick-release)

1. Turn the knobs (**A**, **Figure 4a**) on either side of the lower handle (**B**) to retract the locking pins. Align the lower handle with the desired set of holes in the handle brackets (**C**). Turn the knobs to release the locking pins and secure the lower handle.

Note: Do not remove the lower set of bolts and nuts securing the lower handle.

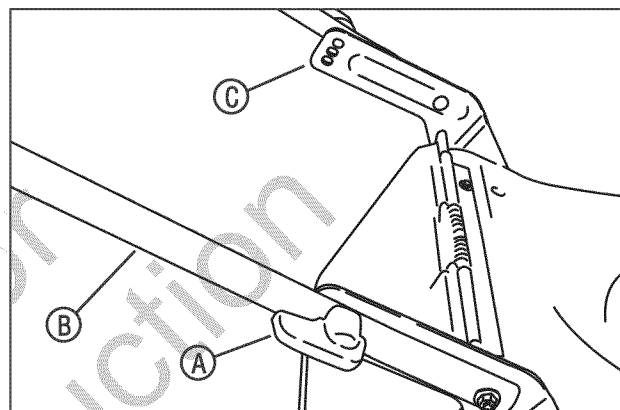


Figure 4: Adjusting the handle height (quick-release)

Assembly

Assembling the Grass Bag

Note: On some models, the side mounted discharge deflector is temporarily attached (for shipping purposes) to the rear of the mower. Before assembly of the grass bag, remove the side mounted discharge deflector.

1. Slide the frame assembly (A, Figure 5) into the grass bag (B).

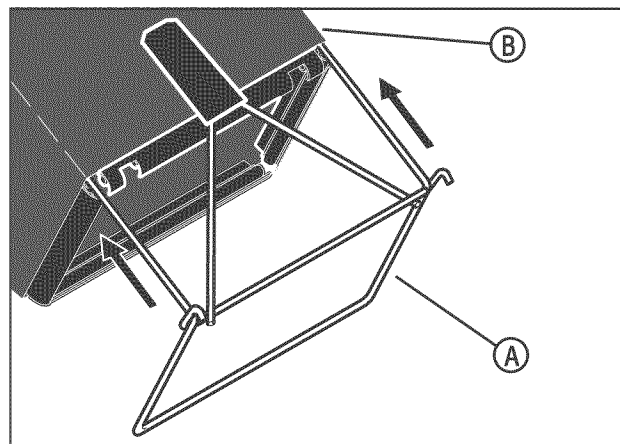


Figure 5: Installing the frame assembly

2. Make sure the handle (A, Figure 6) is on the outside of the grass bag.
3. First, attach the clips (B, Figure 6) to the side of the frame assembly (C). Next, attach the clips to the top and bottom of the frame assembly.

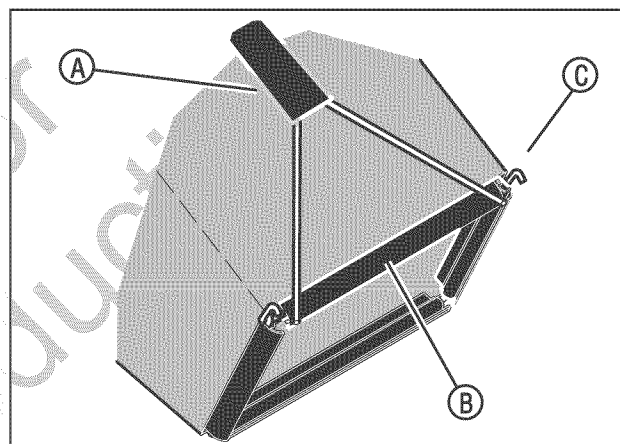


Figure 6: Installing the bag clips

Mounting the Grass Bag

1. To mount the grass bag on the mower, raise the rear door (A, Figure 7). Holding the grass bag by the handle (B), mount the hooks (C) on either end of the grass bag frame assembly onto the rear door pivot rod (D). Lower the grass bag against the rear of the mower. Lower the rear door.

Important: Make sure both grass bag hooks are mounted on the pivot rod.



WARNING: Check the condition of the grass bag for wear or deterioration. If worn or damaged, replace the parts only with approved factory replacement parts.

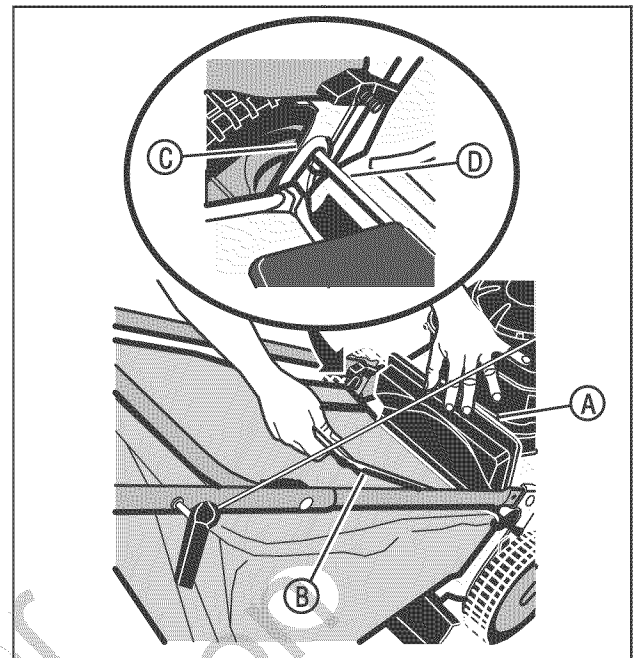


Figure 7: Mounting the grass bag

Emptying the Grass Bag



WARNING: Before you remove the grass bag, stop the engine. Before you remove any grass from the mower housing, disconnect the wire from the spark plug.

1. Raise the rear door to a vertical position.
2. Hold the handle of the grass bag and lift the frame assembly. Continue to lift the frame assembly until the hooks are no longer mounted on the pivot rod. Remove the grass bag.
3. Empty the grass from the grass bag.
4. To mount the grass bag on the mower, see "Mounting The Grass Bag".

Assembly

Attaching the Side Mounted Discharge Deflector



WARNING: To prevent the engine from starting, disconnect the wire from the spark plug.

For shipping purposes, the side deflector was not installed. Locate the side deflector and install as follows.

1. Raise the mulcher cover (A, Figure 8).
2. Slide the two tabs (B) on the side deflector (C) under the pivot pin.
3. Lower the side deflector. Make sure the locking tab (A, Figure 9) goes through the slot in the side deflector.
4. Lower the mulcher cover (A, Figure 10).
5. Attach the wire to the spark plug.

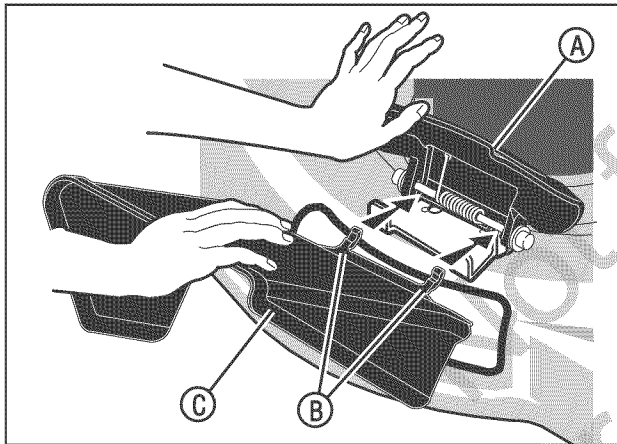


Figure 8: Installing the side discharge deflector

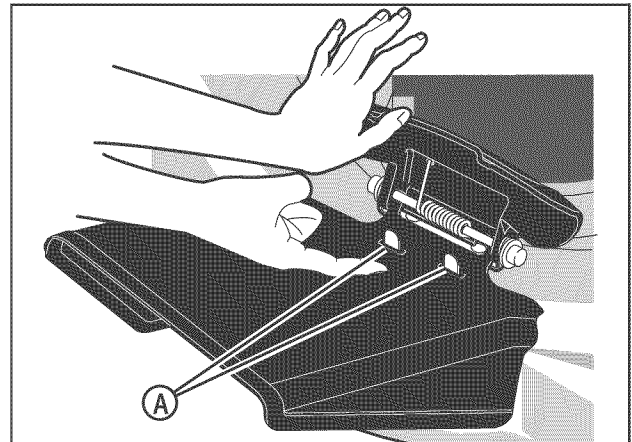


Figure 9: Side discharge deflector locking tabs

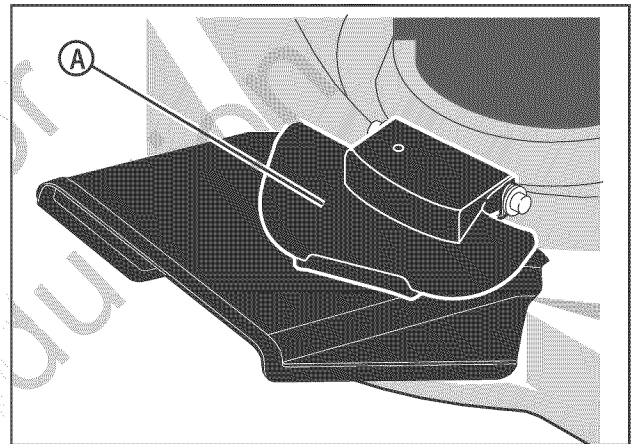


Figure 10: Releasing the mulcher cover

Mulching Tips

Mulching finely cuts the grass so that the grass can be easily recycled. Because the nutrients are returned to the soil, the lawn will need less fertilizer. To correctly mulch the lawn, follow the tips below.

- The grass must be dry. If the grass is wet, it will be difficult to cut and cause heavy clumps of grass.
- The grass must not be too tall. The maximum height to effectively cut is 4 1/2 inches. Set the height adjusters so that only the top third of the grass is cut.
- If the grass is more than 4 1/2 inches high, two mowings will be necessary. For the first mowing, set the height adjusters in the highest position. Then, lower the height adjusters for the second mowing.

- Keep a sharp edge on the blade. A blade that is not sharp will cause the ends of the grass to become brown.
- Clean the underside of the mower housing. Grass and other debris can keep the mower from working correctly.

If the quality of cut is marginal, try the following:

- Set the height adjusters at a higher cutting height.
- Cut the grass more frequently.
- Operate the mower at a slower ground speed.
- Overlap the cutting swaths instead of cutting a full swath with each pass.
- Mow across the marginal areas a second time.

Preparing the Engine

ENGINE DOES NOT CONTAIN OIL OR GASOLINE

Using the bottle of oil supplied in the carton, fill the engine with the proper amount of oil. See the engine manufacturer's instructions for the type of gasoline and oil to use. Before you use the unit, read the information on safety, operation, maintenance, and storage.



WARNING: Follow the engine manufacturer's instructions for the type of gasoline and oil to use. Always use a safety gasoline container. Do not smoke when adding gasoline to the engine. When inside an enclosure, do not fill with gasoline. Before you add gasoline, stop the engine. Let the engine cool for several minutes.

Note: The operation of a new engine will sometimes result in a slight amount of smoke. This smoke is caused by paint or oil on or around the muffler. This is normal and only expected during initial operation.

IMPORTANT: This unit is equipped with an internal combustion engine and must not be used on or near any unimproved forest-covered, brush-covered or grass-covered and unless the engine's exhaust system is equipped with a spark arrester meeting applicable local or state laws (if any). If a spark arrester is used, it must be maintained in effective working order by the operator.

In the State of California the above is required by law (Section 4442 of the California Public Resources Code). Other states may have similar laws. Federal laws apply on federal lands. See an Authorized Service Center for a spark arrester for the muffler.

Note: Actual sustained engine power will likely be lower due to operating limitations and environmental factors.

Final Preparation

Before you use the mower, check the assembly of the wheels, the handle, and the controls. Make sure all the fasteners are tight. Make sure the throttle control (if equipped) and the engine stop lever work correctly.

If the mower is equipped with height adjusters, make sure the height adjusters function properly. Before starting the engine, make sure each height adjuster is set at the desired height. See "Adjusting The Height Of Cut" in the Maintenance sections.

Operation

Engine Stop Lever

Release the engine stop lever (A, Figure 11) and the engine and the blade will automatically stop. To run the engine, hold the engine stop lever in the Operating position (B).

Before you start the engine, operate the engine stop lever several times. Make sure the cable moves easily.

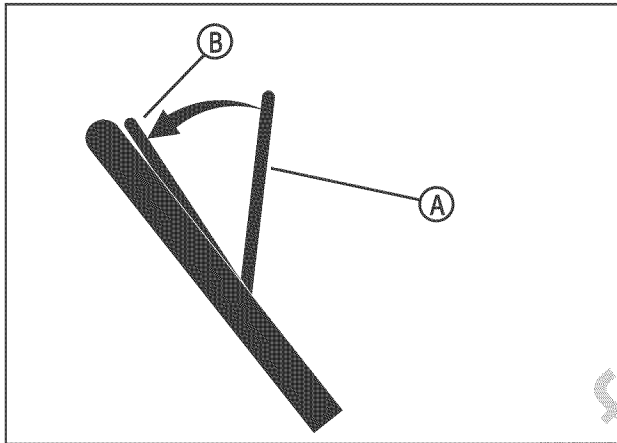


Figure 11: Operating the engine stop lever

Front Wheel Drive System (Self-Propelled Units Only)

The mower has a front wheel drive system. Operate the drive system as follows.

1. Hold the engine stop lever (A, Figure 11) in the Operating Position (B).
2. Pull the drive lever (A, Figure 12) completely back. The drive system is now engaged.
3. To disengage the drive system and stop the engine, completely release the engine stop lever.
4. To disengage only the drive system, release the drive lever. The drive system will disengage but the engine will continue to run.

Note: When the drive system is disengaged on a new unit, it is possible for the front wheels to rotate if lifted off the ground. This is normal and will stop after one or two hours of operation.



WARNING: For safe operation, the drive system must immediately disengage when the drive lever is released. If the drive system does not disengage correctly, do not operate the mower until the drive system is adjusted or repaired by an authorized service center.

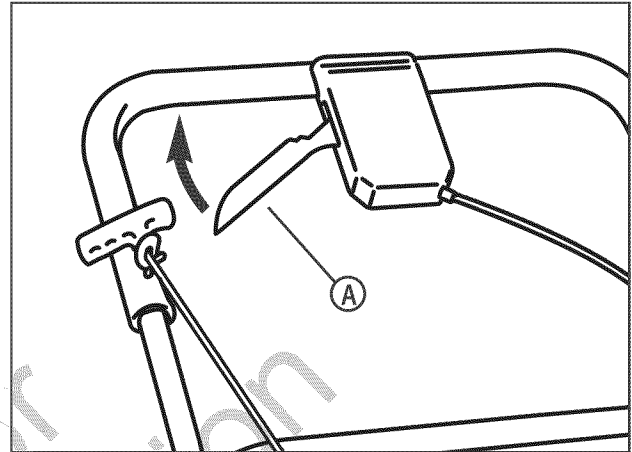


Figure 12: Operating the front wheel drive system

Stopping the Engine

To stop the engine, release the engine stop lever. Disconnect the wire from the spark plug to prevent the engine from starting.

Before you start the engine, check the engine stop cable. Make sure the engine stop cable is assembled correctly. Before you operate the unit, replace a bent or damaged engine stop cable.

Starting the Engine



WARNING: The blade will rotate when the engine runs.

IMPORTANT: Before you start the engine, operate the engine stop lever several times. Make sure the engine stop cable moves freely.

Note: The engine design does not include a throttle control or an engine speed adjustment. The engine is set at the best speed for cutting grass, bagging grass, and for extended engine life.

1. Check the oil.
2. Fill the fuel tank with regular unleaded gasoline. Make sure the gasoline is clean. Leaded gasoline will increase deposits and shorten the life of the valves.

Note: Do not use gasohol or methanol. Do not use premium unleaded gasoline.



WARNING: Always use a safety gasoline container. Do not smoke when adding gasoline to the fuel tank. When inside an enclosure, do not add gasoline. Before you add gasoline, stop the engine and let the engine cool for several minutes.

3. Make sure the spark plug wire is connected to the spark plug.
4. *Self-Propelled Models Only* - Make sure the drive lever is in the disengaged position.



WARNING: To prevent an accident, make sure the drive lever is in the **DISENGAGED** position. When the drive lever is in the **ENGAGED** position, do not start the engine.

5. The primer button (A, Figure 13) is on the side of the engine. Push the primer button. Every time you push the primer button, wait two seconds. For the number of times required to push the primer button, see the engine manufacturer's instructions.

Note: Do not use the primer button to start a warm engine.

Note: Models equipped with Ready Start™ engines do not feature a primer button. See the engine manufacturer's instructions for further information.

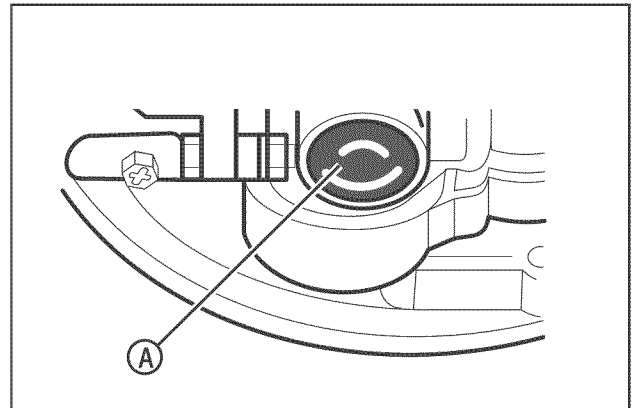


Figure 13: The engine primer button

6. Stand behind the mower. Use one hand to hold the engine stop lever in the operating position (A, Figure 14). Use the other hand to hold the recoil-start grip (B).
7. Make sure the recoil-start rope is not obstructed or caught between the upper and lower handles. Rapidly pull the recoil-start grip. Slowly return the recoil-start grip.
8. If the engine does not start in 5 or 6 tries, see the "Troubleshooting" Instructions.

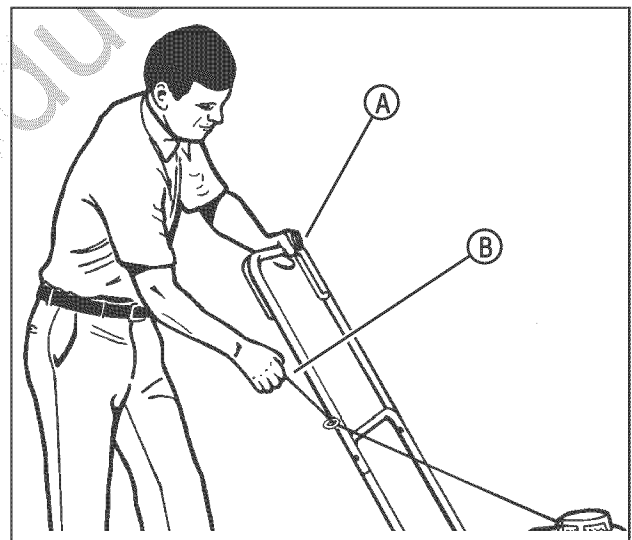


Figure 14: Starting the engine

Rules for Safe and Effective Operation

Refer to the 'Operator Safety' section of this manual for important rules concerning safe and effective mower operation.

Maintenance

Maintenance Chart

MOWER
Every 8 Hours or Daily
Check engine stop lever
Clean debris off mower
Every 25 Hours or Annually *
Check mower for loose hardware
Every 50 Hours or Annually *
Clean battery and cables (if equipped)
See Dealer Annually to
Lubricate mower
Check mower belt
Check mower blades **
Check mower blade stopping time

* Whichever comes first.

**Check blades more often in regions with sandy soils or high dust conditions.

ENGINE
First 5 Hours
Change engine oil
Every 8 Hours or Daily
Check engine oil level
Every 25 Hours or Annually *
Clean engine air filter and pre-cleaner (if equipped) **
Every 50 Hours or Annually *
Change engine oil
Replace oil filter (if equipped)
Annually
Replace air filter
Replace pre-cleaner (if equipped)
See Dealer Annually to
Inspect muffler and spark arrester (if equipped)
Replace spark plug
Replace fuel filter (if equipped)
Clean engine air cooling system

* Whichever comes first.

**Clean more often in dusty conditions or when airborne debris is present.

Engine Maintenance

Use the following maintenance section to keep your unit in good operating condition. All the maintenance information for the engine is in the “Engine Instruction Book”. Before you start the engine, read this book.



WARNING: Before you make an inspection, adjustment (except carburetor), or repair, stop the engine and disconnect the wire from the spark plug.

Engine Tipping

When you service the engine, inspect the blade, or clean the underside of the mower housing; make sure to always tip the engine with the spark plug up (Figure 15). Transporting or tipping the engine with the spark plug down will cause:

- Hard starting.
- Engine smoking.
- Spark plug fouling.
- Oil or gas saturation of the air filter.

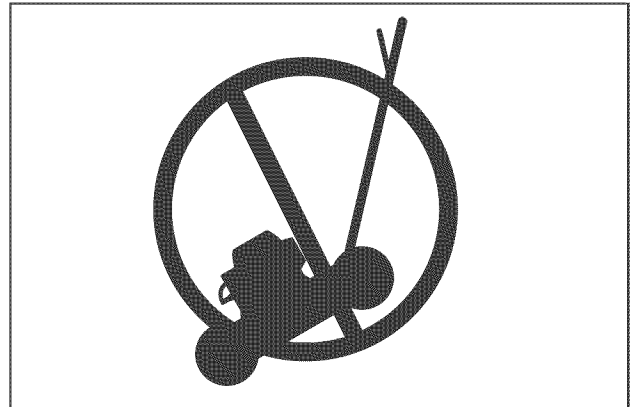


Figure 15: No forward engine tipping

Cleaning the Mower Housing



WARNING: The blade will rotate when the engine runs. Before you clean the mower housing, stop the engine and disconnect the wire from the spark plug.

Grass and other debris can keep the mower from working correctly. After you mow, clean the mower housing as follows.

1. Stop the engine.
2. Disconnect the wire from the spark plug.
3. Clean dirt and debris from the top and the bottom of the mower housing. Clean with soap and water. Wipe off excess water before storage.

Lubrication

1. For maximum performance, lubricate the wheels and all pivot points with engine oil every 25 hours.
2. To lubricate the engine, refer to the “Engine Instruction Book”.

Note: Do not lubricate the engine stop cable. Lubricants will damage the cable and prevent the cable from moving freely. Replace the cable if bent or damaged.

Adjusting the Height of Cut



WARNING: The blade will rotate when the engine runs. Before you change the height of cut, stop the engine and disconnect the wire from the spark plug.

To change the height of cut, move the position of the adjuster arm at each wheel (A, Figure 16). Make sure each adjuster arm is in the same position so that the mower will cut level.

1. Disengage the adjuster arm.
2. Move the adjuster arm to another position.

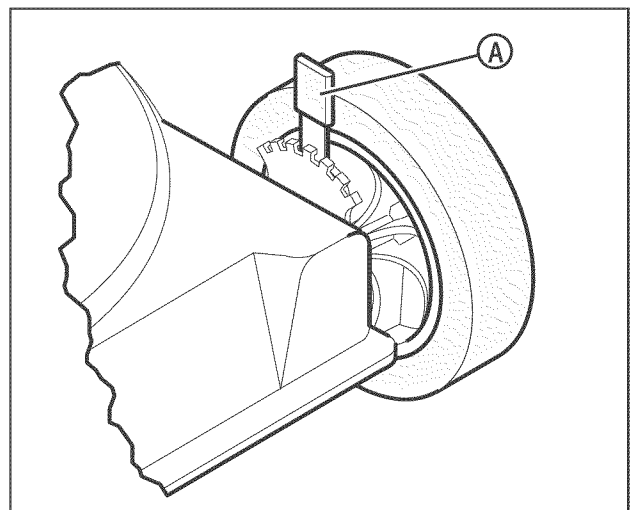


Figure 16: Adjusting the height of cut

Maintenance

Adjusting the Drive Cable (Self-Propelled Units Only)



WARNING: Before you adjust the drive cable, release the engine stop lever and wait for the engine to stop.

If the drive system does not engage and disengage correctly, check the handle for correct assembly. Make sure that all parts are in good condition, not broken or bent, and that all fasteners are tight.

Worn parts and cable stretch will change the performance of the drive system. When you mow in high or thick grass or on hills, the drive system can slip. If the drive system is slipping, adjust as follows or take the mower to an authorized service center.

IMPORTANT: Before you start the engine, operate the engine stop lever several times. Make sure the engine stop cable moves freely.

Note: The engine design does not include a throttle control or an engine speed adjustment. The engine is set at the best speed for cutting grass, bagging grass, and for extended engine life.

1. If the drive system is slipping, loosen the jam nut (B, Figure 17) on the adjustment turnbuckle (A), and rotate the ferrule (C) one-half turn in the direction shown. Test the drive system and check for slippage.
2. If the drive system still slips, adjust again. Again, test the drive system.
3. Repeat the adjustment and test until the drive system does not slip.
4. Before you begin to mow, make sure the drive system will correctly disengage and that the mower will stop. If the drive system will not disengage, take the mower to an authorized service center before you operate the mower.

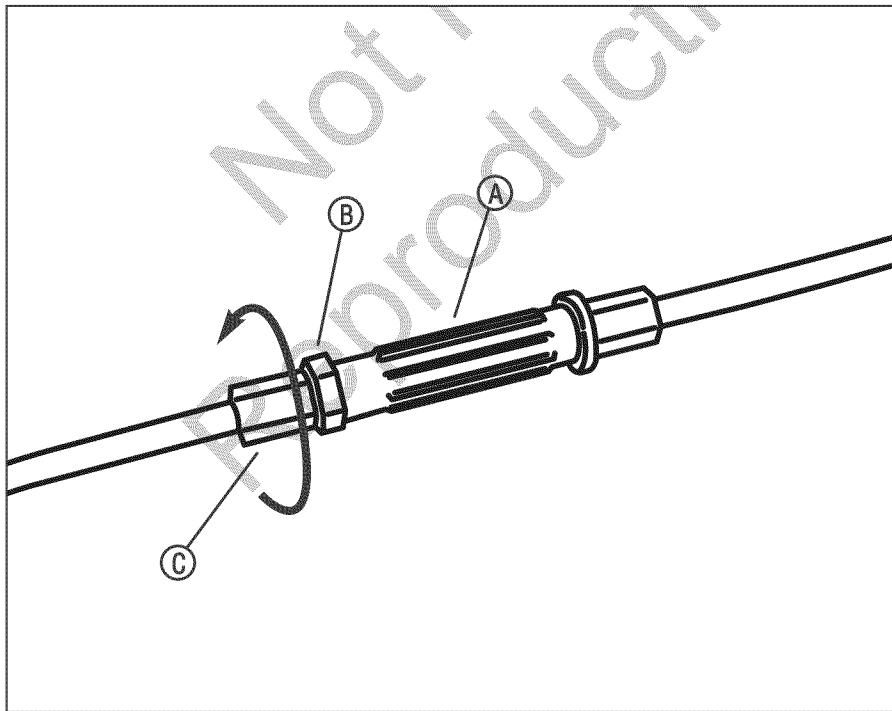


Figure 17: Adjusting the drive cable

Preparing the Mower for Storage



WARNING: Do not remove gasoline while inside a building, near a fire, or while you smoke. Gasoline fumes can cause an explosion or a fire.

1. Drain the fuel tank.
2. Let the engine run until it is out of gasoline.
3. Drain the oil from the warm engine. Fill the engine crankcase with new oil.
4. Remove the spark plug from the cylinder. Pour one ounce of oil into the cylinder. Slowly pull the recoil-start grip so that the oil will protect the cylinder. Install a new spark plug in the cylinder.
5. Clean the dirt and debris from the cylinder cooling fins and the engine housing.
6. Clean the bottom of the mower housing.
7. Make sure the grass bag is empty of grass. Grass remaining in the bag during storage will damage the bag.
8. Completely clean the mower to protect the paint.
9. Fold the handles (if desired).

CAUTION: Be careful when you fold or raise the handle. Do not damage the cables. A cable that is bent will not work correctly. Before you use the unit, replace a bent or damaged cable.

10. Put the unit in a building that has good ventilation.

Troubleshooting

The engine will not start.

1. Make sure the fuel tank is filled with clean gasoline. Do not use old gasoline.
2. On a cold engine, push the primer button (optional on some models). For the number of times required to push the primer button, see the engine manufacturer's instructions.
3. Make sure the wire for the spark plug is connected to the spark plug.
4. There is too much gasoline in the engine cylinder. Remove and dry the spark plug. Pull the recoil-start grip several times. Install the spark plug. Connect the wire to the spark plug. Start the engine.
5. The engine is difficult to start in heavy or high grass. Move the mower to a clean dry surface.
6. Make sure the engine stop lever is in the operating position.
7. Make sure the fuel valve is in the ON position. Refer to the engine manual.

The engine will not stop.

1. Release the engine stop lever.
2. Check the engine stop cable. Replace the cable if bent or damaged.

Engine performance is bad.

1. Check the height of cut settings. Raise the height of cut if the grass is high.
2. Check the bottom of the blade housing. Clean the blade housing of grass and other debris.
3. Check the wire to the spark plug. Make sure the wire is connected.
4. Clean the engine cooling fins of grass and other debris.
5. Check the spark plug gap. Set the spark plug gap at 0.030".
6. Check the amount of oil in the engine. Fill with oil if necessary.
7. Check the engine air cleaner. Refer to the engine manual.
8. The gasoline is bad. Drain and clean the fuel tank. Fill the fuel tank with clean gasoline.

Excessive vibration.

1. Take the mower to an Authorized Service Center.

The grass will not discharge correctly.

1. Clean the bottom of the mower housing.
2. Take the mower to an Authorized Service Center.

The grass is not cut even.

1. Check the height adjustment at each wheel. The height adjustment must be the same for each wheel.
2. Take the mower to an Authorized Service Center.

LIMITED WARRANTY

Briggs & Stratton Power Products Group, LLC will repair and/or replace, free of charge, any part(s) of the equipment that is defective in material or workmanship or both. Briggs & Stratton Corporation will repair and/or replace, free of charge, any part(s) of the Briggs and Stratton engine* (if equipped) that is defective in material or workmanship or both. Transportation charges on product submitted for repair or replacement under this warranty must be borne by purchaser. This warranty is effective for the time periods and subject to the conditions stated below. For warranty service, find the nearest Authorized Service Dealer using our dealer locator at www.BriggsandStratton.com.

There is no other express warranty. Implied warranties, including those of merchantability and fitness for a particular purpose, are limited to one year from purchase or to the extent permitted by law. Liability for incidental or consequential damages are excluded to the extent exclusion is permitted by law.

Some states or countries do not allow limitations on how long an implied warranty lasts, and some states or countries do not allow the exclusion or limitation of incidental or consequential damages, so the above limitation and exclusion may not apply to you. This warranty gives you specific legal rights and you may also have other rights which vary from state to state or country to country.

WARRANTY PERIOD

Item	Consumer Use	Commercial Use:
Equipment	2 Years	90 Days
Engine*	2 Years	90 Days
Battery	1 Year	1 Year

The warranty period begins on the date of purchase by the first retail consumer or commercial end user, and continues for the period of time stated above. "Consumer use" means personal residential household use by a retail consumer. "Commercial use" means all other uses, including use for commercial, income producing or rental purposes. Once product has experienced commercial use, it shall thereafter be considered as commercial use for purposes of this warranty.

No warranty registration is necessary to obtain warranty on Briggs & Stratton products. Save your proof of purchase receipt. If you do not provide proof of the initial purchase date at the time warranty service is requested, the manufacturing date of the product will be used to determine warranty eligibility.

ABOUT YOUR WARRANTY

We welcome warranty repair and apologize to you for being inconvenienced. Warranty service is available only through servicing dealers authorized by Briggs & Stratton or BSPPG, LLC.

Most warranty repairs are handled routinely, but sometimes requests for warranty service may not be appropriate. This warranty only covers defects in materials or workmanship. It does not cover damage caused by improper use or abuse, improper maintenance or repair, normal wear and tear, or stale or unapproved fuel.

Improper Use and Abuse - The proper, intended use of this product is described in the Operator's Manual. Using the product in a way not described in the Operator's Manual or using the product after it has been damaged will void your warranty. Warranty is not allowed if the serial number on the product has been removed or the product has been altered or modified in any way, or if the product has evidence of abuse such as impact damage, or water/chemical corrosion damage.

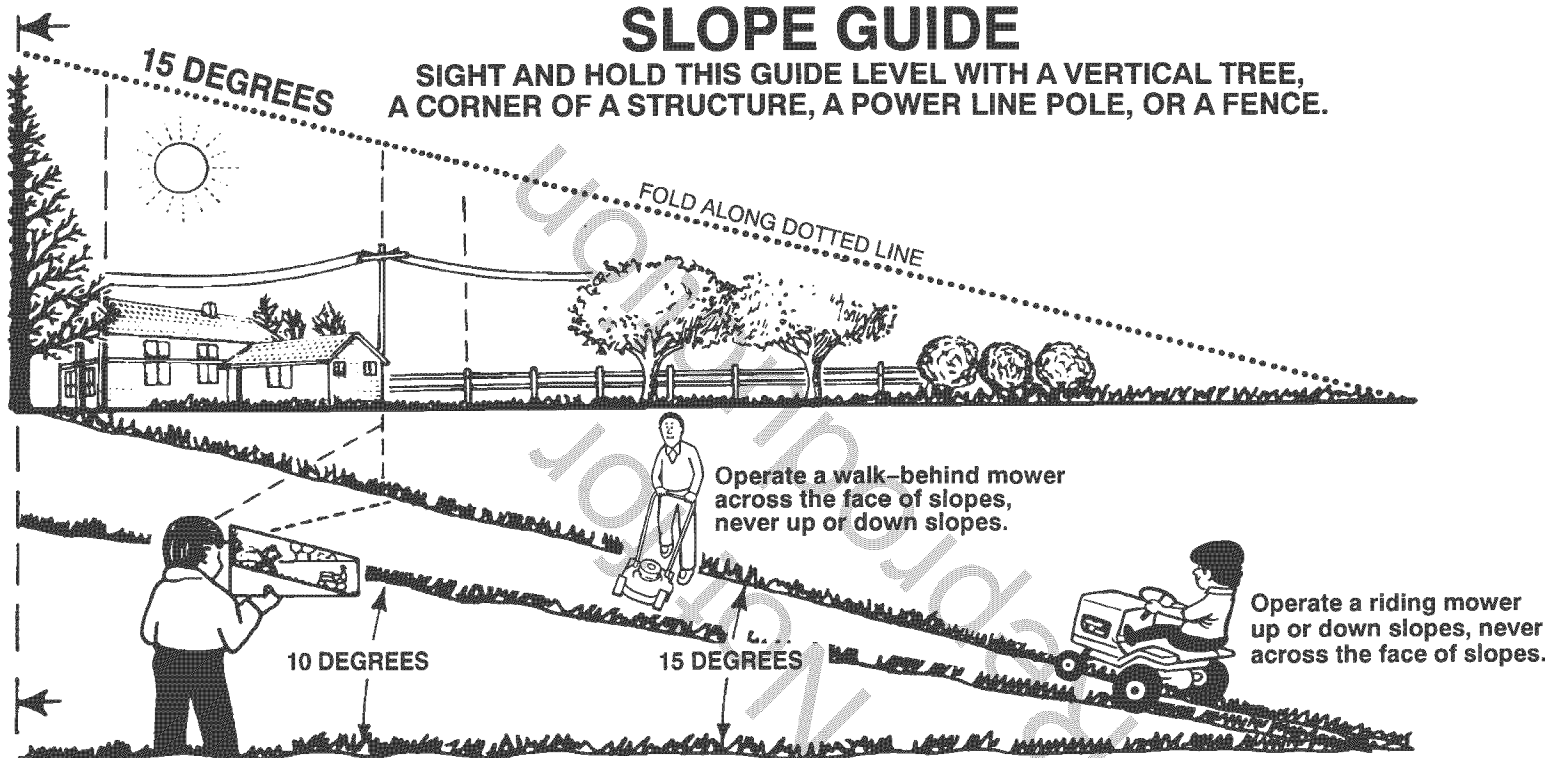
Improper Maintenance or Repair - This product must be maintained according to the procedures and schedules provided in the Operator's Manual, and serviced or repaired using genuine Briggs & Stratton parts. Damage caused by lack of maintenance or use of non-original parts is not covered by warranty.

Normal Wear - Like all mechanical devices, your unit is subject to wear even when properly maintained. This warranty does not cover repairs when normal use has exhausted the life of a part or the equipment. Maintenance and wear items such as filters, belts, cutting blades, and brake pads (engine brake pads are covered) are not covered by warranty due to wear characteristics alone, unless the cause is due to defects in material or workmanship.

Stale Fuel - In order to function correctly, this product requires fresh fuel that conforms to the criteria specified in the Operator's Manual. Damage caused by stale fuel (carburetor leaks, clogged fuel tubes, sticking valves, etc) is not covered by warranty.

* Applies to Briggs and Stratton engines only. Warranty coverage of non-Briggs and Stratton engines is provided by the engine manufacturer.





On a riding mower to determine if a slope is safe to mow: (1) disengage the blade(s), (2) put the unit in reverse, and (3) try to back straight up the slope. If you can back up the slope, it is generally safe to mow. However, if you do not feel safe, or if you are not completely sure, use this guide and do not mow a slope that is greater than 15 degrees. If the riding mower is used with a pull-behind or rear mounted attachment, do not operate the unit on a slope that is greater than 10 degrees.

A 15 degree slope is a hill that increases in height at approximately 2.5 feet in 10 feet.
 A 10 degree slope is a hill that increases in height at approximately 1.7 feet in 10 feet.



Use extreme care at all times, and avoid sudden turns or maneuvers. Follow other instructions in this manual for safety in mowing on slopes. Operate a riding mower up or down slopes, never across the face of slopes. Operate a walk-behind mower across the face of slopes, never up or down slopes. Use extra care when operating on or near slopes and obstructions.

SNAPPER®

22" WALK BEHIND MOWERS

Product Specifications

	S22675 / NS22675	SP22675 / NSP22675
Deck Size (in)	22	22
Height of Cut (in)	1.25 - 4	1.25 - 4
Transmission Type (Self-Propelled Units Only)	N/A	Single Speed/Gear
Ground Speed (mph) (Self-Propelled Units Only)	N/A	2.3
Engine Power (ft lbs)	6.75	6.75
Engine Displacement (cc)	190	190
Fuel Tank Capacity (qt)	1	1

Common Service Parts

	Part Number
Blade Control Cable (All)	7101395
Wheel Drive Cable (SP22675 & NSP22675 Only)	7101401
Cutter Blade (All)	7100851
Drive Belt (SP22675 & NSP22675 Only)	7101193

Engine Power Rating Information: The gross power rating for individual gas engine models is labeled in accordance with SAE (Society of Automotive Engineers) code J1940 (Small Engine Power & Torque Rating Procedure), and rating performance has been obtained and corrected in accordance with SAE J1995 (Revision 2002-05). Torque values are derived at 3060 RPM; horsepower values are derived at 3600 RPM. Actual gross engine power will be lower and is affected by, among other things, ambient operating conditions and engine-to-engine variability. Given both the wide array of products on which engines are placed and the variety of environmental issues applicable to operating the equipment, the gas engine will not develop the rated gross power when used in a given piece of power equipment (actual "on-site" or net horsepower). This difference is due to a variety of factors including, but not limited to, accessories (air cleaner, exhaust, charging, cooling, carburetor, fuel pump, etc.), application limitations, ambient operating conditions (temperature, humidity, altitude), and engine-to-engine variability. Due to manufacturing and capacity limitations, Briggs & Stratton may substitute an engine of higher rated power for this Series engine.

Manual del operador

SNAPPER®

**CORTADORAS DE CÉSPED CON
CONDUCTOR A PIE SNAPPER®
DE 55.9 cm (22")**



Nº de Modelo Descripción

7800604	S22675
7800605	SP22675
7800607	NS22675
7800608	NSP22675



Gracias por comprar este producto de calidad Snapper. Nos complace que haya puesto su confianza en la marca Snapper. Cuando se maneja y mantiene de acuerdo a las instrucciones que aparecen en este manual, su producto Snapper brindará muchos años de servicio seguro.

Este manual contiene información sobre la seguridad para que esté enterado de los peligros y riesgos asociados con la máquina y cómo evitarlos. Esta máquina está diseñada y destinada solamente para el corte de acabado de los céspedes establecidos y para ningún otro fin. Es importantee que lea detenidamente estas instrucciones antes de intentar poner en marcha o manejar este equipo. **Conserve estas instrucciones originales para consultarlas en el futuro.**

Llene la información siguiente sobre su compra Snapper.

Fecha de compra _____

Concesionario _____

Número de teléfono del concesionario _____

Equipo

Nº de modelo _____

Nº de _____

Motor

Modelo _____ Tipo _____ Código _____

SNAPPER es una marca comercial de
Briggs & Stratton Power Products Group, LLC
Milwaukee, WI, EE.UU.

Copyright © 2010, Briggs & Stratton Corporation
Milwaukee, WI, EE.UU. Todos los derechos reservados.



Índice

Seguridad del operador	4
Ensamblaje	6
Desempaque	6
Asidero	6
Ajuste de la altura del asidero (manillar)	7
Bolsa de césped	8
Placa para el modo de triturado	10
Deflector de descarga lateral	10
Recomendaciones acerca del triturado	11
Cómo preparar el motor	11
Preparación final	11
Manejo	12
Palanca de parada del motor	12
Sistema de tracción de las ruedas delanteras (Unidades autopropulsadas)	12
Parada del motor	12
Arranque del motor	13
Reglas para un manejo seguro y efectivo	13
Mantenimiento	14
Tabla de Mantenimiento	14
Mantenimiento del motor	15
Inclinación del motor	15
Limpieza de la cubierta del cortacésped	15
Lubricación	15
Ajuste de la altura de corte	15
Ajuste del cable del sistema de tracción de las ruedas	16
Preparación del cortacésped para almacenamiento	17
Solución de problemas	18
Garantía	19



ADVERTENCIA



Los bornes , terminales y otros accesorios relacionados con las baterías contienen plomo y compuestos de plomo, productos químicos considerados por el estado de california como la causa de cáncer y defectos de nacimiento u otros trastornos del aparato reproductor. lávese las manos después de estar en contacto con ellos.



ADVERTENCIA



Los gases de escape del motor, algunos de sus constituyentes y ciertos componentes del vehículo contienen o emiten productos químicos considerados por el estado de california como la causa de cáncer u otros trastornos del aparato reproductor.

Seguridad del operador



ADVERTENCIA: Esta potente máquina cortacésped es capaz de amputar las manos y los pies y puede arrojar objetos causando lesiones e incluso la muerte. Si no se respetan las instrucciones de SEGURIDAD siguientes tanto el operador como otras personas corren peligro de sufrir lesiones o la muerte. El propietario de la máquina debe entender estas instrucciones y permitir que esta máquina la manejen únicamente las personas que entienden estas instrucciones. Toda persona que maneje esta máquina debe estar en buenas condiciones físicas y psíquicas y no haber bebido ni ingerido ninguna droga o fármaco que pueda perjudicar la visión, dexteridad o discernimiento. Ante cualquier duda respecto a su máquina que su concesionario no pueda solucionar para su satisfacción, llame o escriba al Customer Service Department, SNAPPER, McDonough, Georgia 30253. Phone: (1-800-317-7833).

Protección para los niños

Pueden ocurrir accidentes de trágicas consecuencias si el operador no está alerta a la presencia de niños en el lugar. Los niños son frecuentemente atraídos a la máquina y a la actividad de corte de césped o hierba. Nunca de por sentado que los niños permanecerán en el mismo lugar que usted los vio la última vez.

1. MANTENGA a los niños fuera de la zona de trabajo y bajo el cuidado vigilante de un adulto responsable, que no sea el operador.
2. NO permita a los niños en el jardín mientras la máquina está funcionando y APAGUE el motor cuando alguien entra a la zona de trabajo.
3. NO permita que jóvenes menores de edad manejen la máquina.
4. PERMITA que solamente personas adultas o adolescentes responsables que demuestren buen criterio manejen esta máquina, pero bajo supervisión de un adulto.
5. NO tire de la máquina hacia atrás salvo que sea absolutamente necesario. MIRE HACIA ATRÁS y hacia abajo para asegurarse de que no hay niños pequeños, mascotas y objetos peligrosos antes y mientras retrocede con la máquina.
6. PRESTE MUCHA ATENCIÓN al acercarse a las curvas sin visibilidad, arbustos, árboles u otros objetos que puedan obstruir la visión.

Manejo en pendientes

1. Las pendientes son un factor importantee relacionado con los accidentes por pérdida deslizamiento y caídas, los cuales pueden ocasionar lesiones graves. Todas las pendientes requieren actuar con mucha cautela. Si se siente inseguro en una pendiente, NO corte el césped o hierba allí.
2. Corte el césped a lo ancho en las pendientes, nunca hacia arriba y hacia abajo. Preste MUCHA ATENCIÓN cuando cambie de dirección en las pendientes. NO corte el césped en pendientes empinadas u otras zonas donde la estabilidad o tracción sea dudosa. Consulte la Guía para trabajar en pendientes presentada al final de este manual
3. Tenga sumo cuidado con los recogedores de hierba y otros accesorios; estos pueden afectar la maniobrabilidad y la estabilidad de la máquina.

Preparación

1. Lea, comprenda y respete todos los mensajes de advertencia y las instrucciones incluidas en la máquina, el motor y los implementos. Aprenda la ubicación de todos los mandos y practique cómo usarlos antes de poner en marcha la máquina.
2. Esta máquina debe ser manejada por personas adultas y responsables y solamente después de haber recibido las instrucciones correspondientes.

Preparación

(viene de la columna anterior)

3. Datos registrados indican que los operadores mayores de 60 años sufren un gran porcentaje de accidentes relacionados con cortacéspedes. Estos operadores deben evaluar su capacidad para manejar las máquinas de cortar césped de una manera lo suficientemente segura para protegerse ellos mismos y los demás contra la posibilidad de sufrir lesiones graves.
4. Maneje el combustible con mucho cuidado. El combustible es inflamable y los vapores son explosivos. Use un recipiente aprobado para combustible. NO quite el tapón del depósito de combustible ni reposte de combustible mientras el motor está funcionando. Llene el depósito de combustible al aire libre solamente cuando el motor está apagado y frío. Limpie los derrames de combustible de la máquina. NO fume.
5. Inspeccione el lugar de trabajo y quite todos los objetos tales como juguetes, alambres, piedras, ramas y otros objetos que pudieran causar lesiones al ser arrojados por la cuchilla o estorbar el paso de la máquina. También esté atento a la ubicación de los agujeros, tocones y otros riesgos posibles.
6. Mantenga a las personas y mascotas a una distancia segura de la máquina. Si alguien entra a la zona donde está cortando el césped, inmediatamente PARE las cuchillas, APAGUE el motor y PARE la máquina.
7. Revise frecuentemente los protectores, deflectores, conmutadores, mandos de la cuchilla y otros dispositivos de seguridad para cerciorarse de que están correctamente colocados y funcionando bien.
8. Asegúrese de que todos los rótulos de seguridad están claramente legibles. Reemplace los que están dañados.
9. Protéjase cuando corte el césped. Use gafas de seguridad, pantalones largos y calzado grueso. NO corte el césped estando descalzo o con sandalias.
10. Sepa cómo PARAR la cuchilla y el motor rápidamente en el caso de emergencias.
11. Tenga mucho cuidado cuando suba o baje la máquina a un remolque o camión.
12. Revise frecuentemente los componentes del recogedor de hierba en busca de daño o deterioro, y reemplácelos según sea necesario para impedir que ocurran lesiones a causa de objetos arrojados a través de puntos débiles o desgastados.

Manejo seguro de la gasolina

Para evitar lesiones personales o daños físicos, tenga mucho cuidado al manipular gasolina. La gasolina es extremadamente inflamable y los vapores son explosivos

1. Apague los cigarrillos, cigarros, pipas y otras fuentes de ignición.
2. Use solamente un contenedor aprobado para combustible.
3. NO quite la tapa del depósito de combustible ni cargue combustible mientras el motor está funcionando. Deje que el motor se enfríe antes de cargar combustible.

Manejo seguro de la gasolina (viene de la columna anterior)

4. NO cargue combustible con la máquina puertas adentro.
5. NO guarde la máquina o el contenedor de combustible dentro de lugares donde haya llama expuesta, chispas o luz piloto, tal como en un calentador de agua u otro artefacto electrodoméstico.
6. NO llene los contenedores de combustible dentro de un vehículo o un camión o plataforma de remolque con un forro de plástico. Antes de llenarlos, coloque siempre los contenedores en el suelo lejos del vehículo.
7. Retire el equipo con motor de gasolina del vehículo o remolque y reabastézcalo de gasolina en el suelo. En caso de no ser posible, reabastezca el equipo utilizando un contenedor portátil, en vez de una boquilla surtidora de gasolina.
8. NO arranque el equipo con motor de gasolina en vehículos o remolques cerrados.
9. Mantenga la boquilla en contacto con el reborde del depósito o boca del contenedor de combustible todo el tiempo hasta completar el repostaje. NO use un dispositivo para bloquear abierta la boquilla.
10. En caso de derramar combustible en la ropa, cámbiesela inmediatamente.
11. NUNCA llene en exceso el depósito de combustible. Coloque la tapa de combustible y apriétela firmemente.

Manejo

1. NO ponga las manos o los pies cerca o debajo de las piezas giratorias. Sitúese lejos del punto de descarga mientras el motor está funcionando.
2. APAGUE el motor cuando cruce calzadas de gravilla, aceras o caminos, y en cualquier situación donde exista el riesgo de que objetos sean arrojados por las cuchillas.
3. Corte el césped durante el día o con buena luz artificial.
4. NO maneje el cortacésped si está en estado de ebriedad o bajo los efectos de drogas.
5. Después de golpear algún objeto extraño, o si la cortadora vibra en forma anormal, DETENGA el motor, desconecte el cable de la bujía y sujételo. Inspeccione la cortadora para verificar si hay algún daño, y en caso afirmativo repárelo antes de arrancar nuevamente.
6. NO corte el césped cerca de barrancos, zanjas o terraplenes. El operador podría perder el equilibrio o apoyo.
7. ESTE ALERTA a los hoyos y otros peligros ocultos. La hierba alta puede ocultar los obstáculos. Manténgase alejado de las zanjas, socavones, alcantarillas, vallados y objetos salientes.
8. NO corte el césped mojado. Asegúrese de tener una buena base de apoyo. Sujétese firmemente del manillar y camine, no corra. Un resbalón puede causarle lesiones.
9. Permanezca SIEMPRE detrás de la manija cuando el motor esté en marcha.
10. NO deje la máquina sin vigilancia mientras el motor está funcionando. PARE LA CUCHILLA y APAGUE EL MOTOR antes de alejarse de la máquina por cualquier motivo.
11. Antes de limpiar, reparar o inspeccionar la máquina, asegúrese de que el motor, la cuchilla y todas las piezas móviles están DETENIDAS. Desconecte el cable de la bujía y átelo lejos de la bujía para evitar el arranque accidental.
12. APAGUE el motor y espere hasta que la cuchilla esté PARADA por completo antes de quitar el recogedor y/o desatascar césped.

Manejo (viene de la columna anterior)

13. NO maneje la cortadora sin que el recogedor de hierba completo, la protección de descarga, la protección posterior u otros dispositivos de seguridad, estén colocados y funcionando correctamente. NO apunte la descarga hacia la gente, automóviles, ventanas o puertas.
14. NO descargue material contra una pared u obstrucción. El material puede rebotar hacia atrás, dirigiéndose hacia el operador.
15. Aminore la marcha antes de dar la vuelta.
16. Preste atención al tráfico cuando esté cerca de calzadas o vaya a cruzarlas.
17. NO haga funcionar el motor en recintos cerrados. Los gases de escape del motor contienen monóxido de carbono, un veneno mortal.
18. Utilice únicamente accesorios aprobados por el fabricante. Vea las instrucciones del fabricante para una correcta operación e instalación de accesorios.

Mantenimiento y almacenamiento

1. NO guarde la máquina ni el bidón de combustible dentro de un local donde los vapores pueden quedar en contacto con llama expuesta, chispas o llama piloto de un calentador de agua, horno, secadora de ropa u otros artefactos de gas. Espere que el motor se enfríe antes de guardar la máquina en un local cerrado. Guarde el bidón de combustible lejos del alcance de los niños en un recinto desocupado y bien ventilado.
2. Para reducir el riesgo de provocar un incendio y de calentar en exceso el motor, mantenga el motor libre de hierba, hojas o grasa sobrante.
3. Cuando vacíe el depósito de combustible, hágalo a un bidón aprobado en un lugar al aire libre y lejos de llama expuesta.
4. Mantenga todos los pernos, tuercas y tornillos bien apretados. Compruebe que todas las chavetas o pasadores hendidos estén en el lugar debido.
5. Suministre siempre una ventilación adecuada cuando haga funcionar el motor en el interior de un recinto. Los gases de escape contienen monóxido de carbono, un veneno inodoro y letal.
6. Repare el motor y haga ajustes solamente con el motor parado. Desconecte el cable de la bujía y átelos lejos de la bujía para evitar el arranque accidental.
7. NO cambie los reglajes de velocidad del regulador ni sobrepase la velocidad del motor.
8. Para evitar que objetos sean arrojados y que las piezas móviles queden al descubierto, revise frecuentemente la bolsa del recogedor en busca de deterioro o desgaste. Coloque una bolsa nueva si las costuras están descosidas o hay evidencia de rasgaduras. Reemplace el deslizador o adaptador del recogedor si está roto o agrietado.
9. La cuchilla del cortacésped es filosa y puede cortar. Envuelva la cuchilla o use guantes de cuero grueso, y tenga PRECAUCIÓN al manipularla.
10. NO pruebe en cuanto a chispa conectando a tierra la bujía al lado del orificio de inserción de la bujía, la bujía podría encender el gas que sale del motor.
11. Solicite un servicio de mantenimiento para la máquina por parte de un distribuidor autorizado al menos una vez al año, y solicite al distribuidor que instale cualquier nuevo dispositivo de seguridad.
12. Sólo utilice piezas de repuesto genuinas para garantizar que se mantienen los estándares originales.

Ensamblaje



ADVERTENCIA: Antes de realizar cualquier ensamble o mantenimiento al cortacésped, desconecte el cable de la bujía.

NOTA: En este manual de instrucciones, las indicaciones izquierda y derecha describen la ubicación de una pieza teniendo el usuario parado detrás del asidero.

Desempaque

El cortacésped se ensambló completamente en la fábrica. Cuando el cortacésped se colocó en la caja de cartón, el asidero se colocó en la posición de almacenamiento. Para colocar el asidero en la posición de operación, siga los siguientes pasos.

Asidero

1. Saque el cortacésped de la caja de cartón.
2. Remueva todo el material de empaque del cortacésped y el asidero.
3. Retire las tuercas de alas (A, Figura 1), las arandelas (no mostradas) y los pernos de las abrazaderas izquierda y derecha del mango (B).

NOTA: No retire el juego inferior de aditamentos del mango (D).

Levante la manija inferior, alineándola con uno de los tres juegos de agujeros de los soportes de manija (C). Vuelva a instalar los pernos, arandelas y tuercas de alas.

Suelto rápido (opcional): Gire las perillas (A, Figura 1a) de los lados de la manija inferior (B) para retraer los pasadores de sujeción. Levante la manija inferior, alineándola con uno de los tres juegos de agujeros de los soportes de manija (C). Gire las perillas para liberar los pasadores de sujeción y asegurar la manija inferior.

4. Coloque la manija superior (A, Figura 2) en la posición operativa (hacia arriba). Apriete las tuercas mariposa (B).

NOTA: La altura del asidero puede ajustarse para comodidad del usuario. Vea "Ajuste de la altura del asidero".

PRECAUCION: Tenga cuidado al plegar o levantar el asidero. No dañe los cables. Un cable (mecánico) que está doblado no funcionará correctamente. Antes de utilizar la unidad, reemplace un cable dañado o doblado.

5. Oprima la palanca de parada del motor contra el asidero. (Consulte la sección titulada 'Palanca de parada del motor'). Hale lentamente el mango (A, Figura 3) del cable retráctil de arranque. Para sujetar el mango del cable retráctil de arranque a la guía (B) del cable, entrelace el cable a través de la guía de cable montada en el lado derecho del asidero.

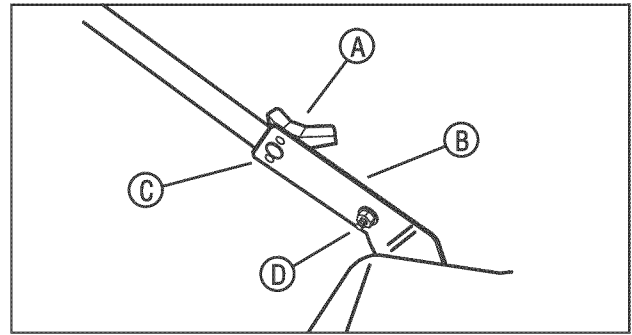


Figura 1: extensión de la manija inferior

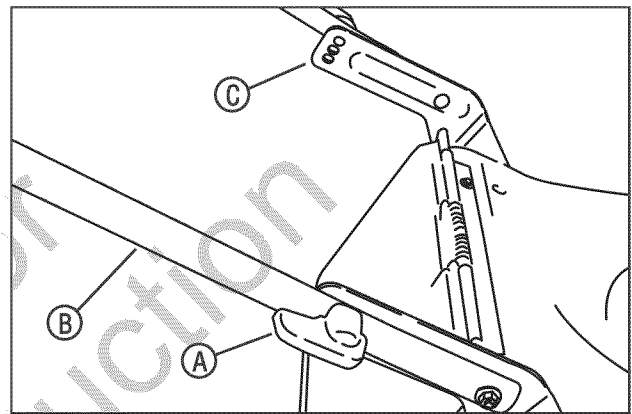


Figura 1a: extensión de la manija inferior (suelto rápido)

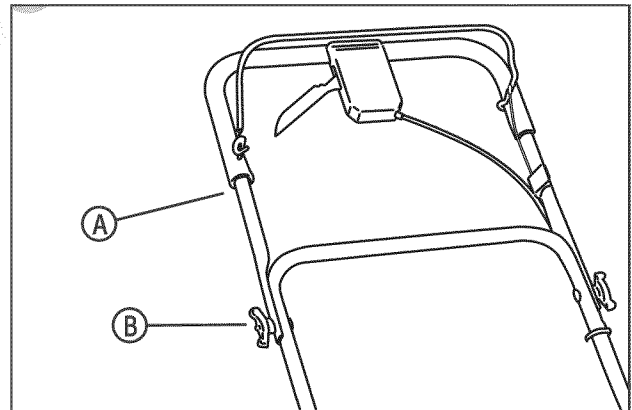


Figura 2: extensión de la manija superior

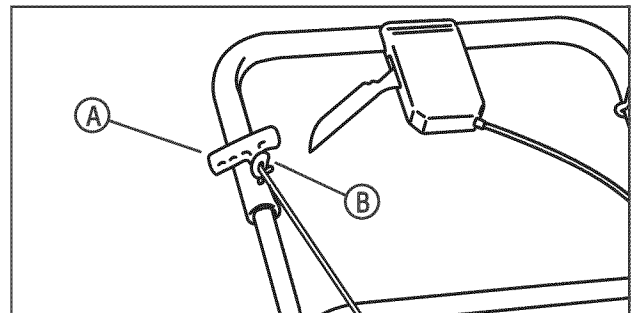


Figura 3: Sujeción del mango del cable retráctil de arranque

Altura de la manija

1. Retire las tuercas de alas (A, Figura 4), las arandelas (no mostradas) y los pernos de las abrazaderas izquierda y derecha del mango (C).

Nota: No retire el juego inferior de aditamentos del mango (D).

2. Ajuste el mango hasta un orificio de ajuste de altura inferior o superior (C).
3. Vuelva a instalar los pernos, arandelas y tuercas de alas retiradas en el Paso 1.

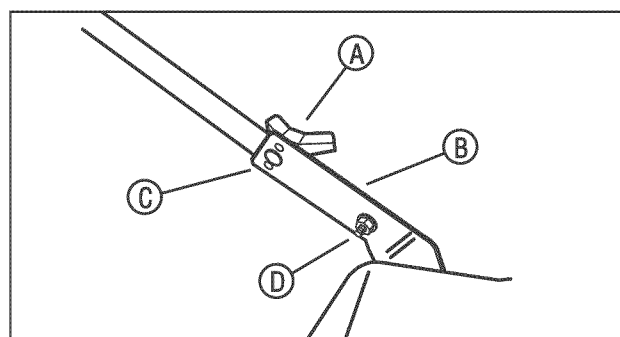


Figura 4: ajuste de la altura de la manija

Altura de la manija (opcional suelte rápido)

1. Gire las perillas (A, Figura 4a) de los lados de la manija inferior (B) para retraer los pasadores de sujeción. Alinee la manija inferior con el juego de agujeros correspondiente de los soportes de manija (C). Gire las perillas para liberar los pasadores de sujeción y asegurar la manija inferior.

Nota: No remueva el conjunto inferior de pernos y tuercas que aseguran el asidero inferior.

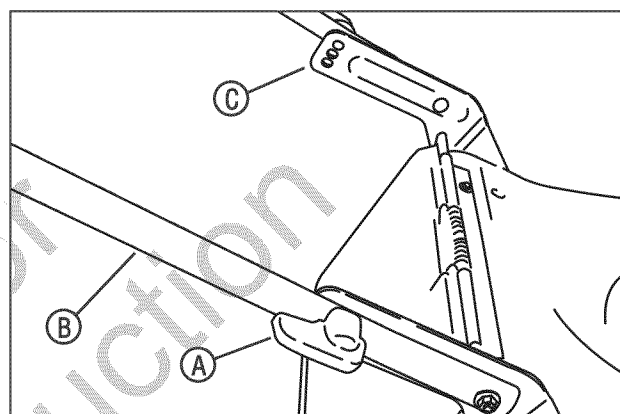


Figura 4a: ajuste de la altura de la manija (suelto rápido)

Ensamblaje

Ensamblaje de la bolsa de césped (No todos los modelos)

Nota: En algunos modelos, el deflector de descarga de montaje lateral se sujeta de manera temporal (para propósitos de envío) a la parte trasera del cortacésped. Antes de ensamblar la bolsa de césped, remueva el deflector de descarga de montaje lateral.

1. Deslice el armazón (A, Figura 5) dentro de la bolsa de césped (B).

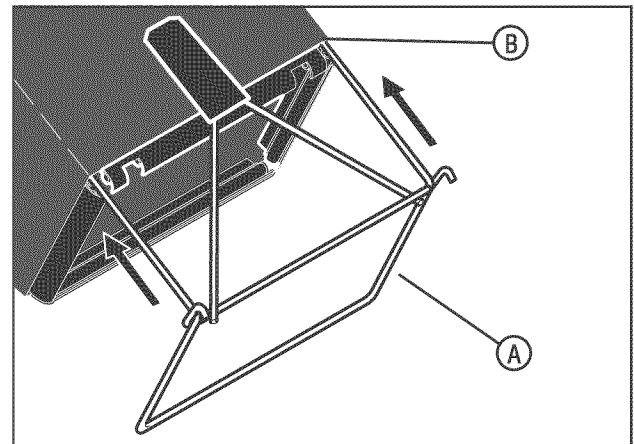


Figura 5: Instalación del armazón

2. Verifique que la manija (A, Figura 6) esté en el lado exterior de la bolsa de césped.
3. Primero, sujete los ganchos (B, Figura 6) al costado del armazón (C). Luego, sujete los ganchos a la parte superior e inferior del armazón.

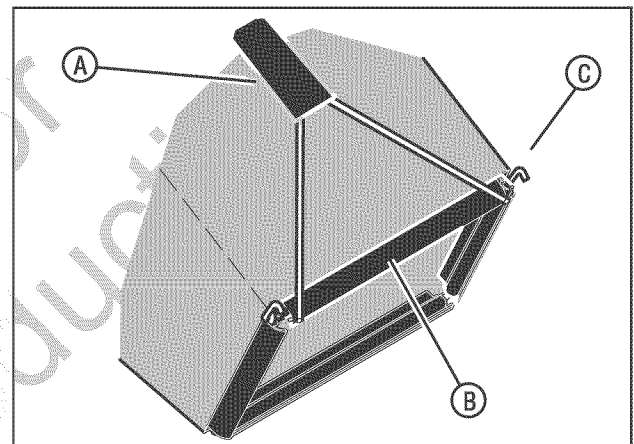


Figura 6: Instalación de los ganchos de la bolsa

Montaje de la bolsa de césped (No todos los modelos)

1. Para montar la bolsa de césped en el cortacésped, levante la puerta trasera (A, Figura 7). Sosteniendo la bolsa de césped mediante la manija (B), monte los ganchos (C) de ambos extremos del armazón de la bolsa de césped sobre la barra-pivote (D) de la puerta trasera. Baje la bolsa de césped contra la parte trasera del cortacésped. Baje la puerta trasera.

Importante: Verifique que ambos ganchos de la bolsa de césped están montados en la barra-pivote.



ADVERTENCIA: Revise la condición de la bolsa de césped en cuanto a desgaste o deterioro. Si está desgastada o dañada, reemplace las piezas sólo con piezas de repuesto aprobadas por fábrica.

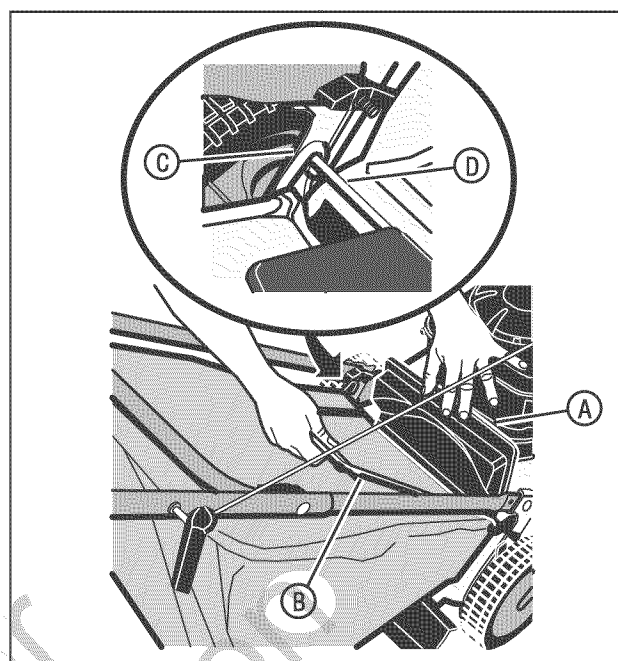


Figura 7: Montaje de la bolsa de césped

Vaciado de la bolsa de césped (No todos los modelos)



ADVERTENCIA: Antes de desmontar la bolsa de césped, detenga el motor. Antes de retirar césped de la cubierta del cortacésped, desconecte el cable de la bujía.

1. Levante la puerta trasera hasta la posición vertical.
2. Agarre la manija de la bolsa de césped y levante el armazón. Continúe levantando el armazón hasta que los ganchos ya no estén montados en la barra-pivote. Desmonte la bolsa de césped.
3. Vacíe el césped de la bolsa de césped.
4. Para montar la bolsa de césped en el cortacésped, vea "Montaje de la Bolsa de Césped".

Ensamblaje

Sujeción del deflector de descarga de montaje lateral



ADVERTENCIA: Para evitar que el motor arranque, desconecte el cable de la bujía.

Para propósitos de envío, no se instaló el deflector lateral. Localice el deflector lateral e instale de la siguiente manera.

1. Levante la cubierta del triturador (A, Figura 8).
2. Deslice las dos lengüetas (B) del deflector lateral (C) debajo del pasador-pivote.
3. Baje el deflector lateral. Verifique que la lengüeta de enganche (A, Figura 9) atraviesa la ranura en el deflector lateral.
4. Baje la cubierta del triturador (A, Figura 10).
5. Conecte el cable a la bujía.

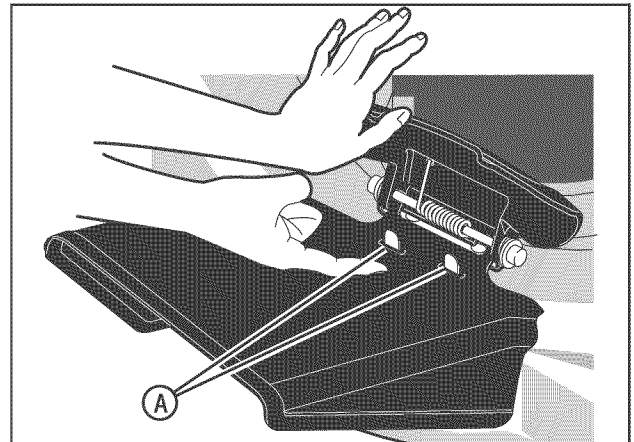


Figura 9: Lengüetas de enganche del deflector de descarga lateral

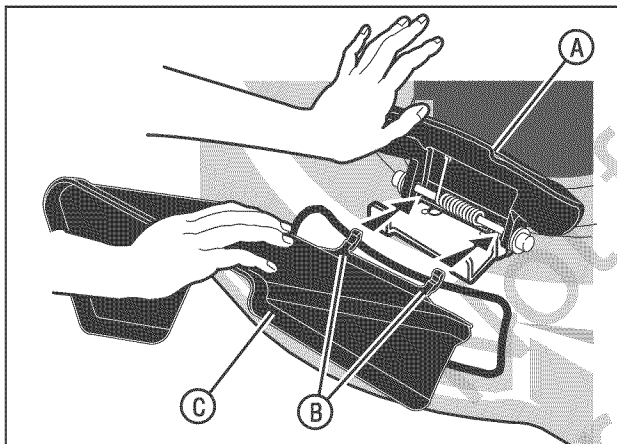


Figura 8: Instalación del deflector de descarga lateral

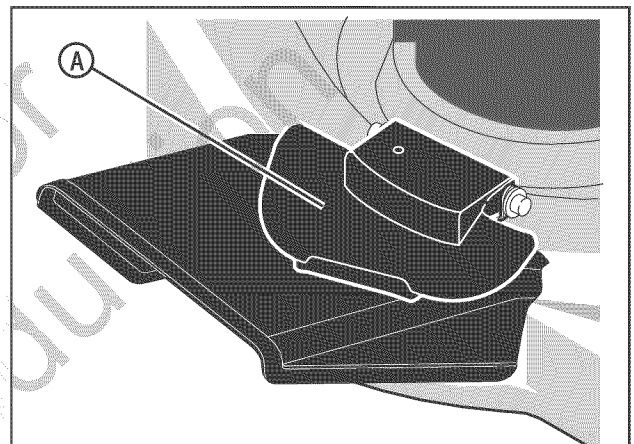


Figura 10: Liberación de la cubierta del triturador

Recomendaciones acerca del triturado

El triturador corta en trozos pequeños el césped para que el césped pueda reciclarse fácilmente. Ya que los nutrientes son regresados al suelo, el césped necesitará menos fertilizante. Para triturar correctamente el césped, siga las recomendaciones siguientes.

- El césped debe estar seco. Si el césped está húmedo, este será difícil de cortar y causará masas pesadas de césped.
- El césped no debe estar demasiado alto. La altura máxima para lograr un corte efectivo es de 4-1/2 pulgadas. Fije los ajustadores de altura de modo que sólo se corte la tercera parte superior del césped.
- Si el césped tiene una altura superior a 4-1/2 pulgadas, serán necesarias dos operaciones de corte con el cortacésped. Para la primera operación de corte con el cortacésped, fije los ajustadores de altura en la posición más alta. Luego, baje los ajustadores de altura para la segunda operación de corte con el cortacésped.

- Mantenga afilada la cuchilla. Una cuchilla que no está afilada provocará que los extremos del césped se vuelvan de color marrón.
- Limpie el lado de abajo de la cubierta del cortacésped. El césped y otros residuos pueden evitar que el cortacésped funcione correctamente.

Si la calidad del corte es secundaria, ensaye lo siguiente:

- Fije los ajustadores de altura en una altura de corte más alta.
- Corte el césped más frecuentemente.
- Maneje el cortacésped a una velocidad de avance más lenta.
- Traslape las franjas de corte en vez de cortar una franja completa con cada pasada.
- Corte dos veces el césped a través de las áreas de margen.

Preparar el motor

EL MOTOR NO CONTIENE ACEITE NI GASOLINA

Utilizando la botella de aceite suministrada en la caja de cartón, llene el motor con la cantidad de aceite apropiada. Vea las instrucciones del fabricante del motor para averiguar el tipo de gasolina y aceite que se debe utilizar. Antes de utilizar la unidad, lea la información sobre seguridad, operación, mantenimiento y almacenamiento.



ADVERTENCIA: Siga las instrucciones del fabricante del motor para averiguar el tipo de gasolina y aceite que se debe utilizar. Siempre utilice un recipiente de seguridad para la gasolina. No fume mientras se agrega gasolina al tanque de combustible. Cuando se está dentro de un lugar cerrado, no llene con gasolina. Antes de agregar la gasolina, detenga el motor. Permita que el motor se enfríe durante varios minutos.

Nota: La operación de un motor nuevo algunas veces provocará una leve cantidad de humo. Este humo es causado por pintura o aceite en o alrededor del silenciador. Esto es normal y sólo se espera durante la operación inicial.

IMPORTANTE: Esta unidad está equipada con un motor de combustión interna y no debe utilizarse en o cerca de ninguna área de bosque o cubierta con maleza, a menos que el sistema de escape del motor esté equipado con un supresor de chispas que cumpla las leyes locales o estatales aplicables (si existen). Si se utiliza un supresor de chispas, éste debe ser mantenido en buen estado de funcionamiento por parte del operador.

En el Estado de California lo anterior es exigido por ley (Sección 4442 del Código de Recursos Públicos de California). Otros estados podrían tener leyes similares. Las leyes federales se aplican en territorios federales. Visite un Centro de Servicio Autorizado para conseguir un supresor de chispas para el silenciador.

Nota: Es posible que la potencia real sostenida del motor sea inferior debido a limitaciones operativas y factores del medio ambiente.

Preparación final

Antes de utilizar el cortacésped, revise las ruedas, el asidero y los controles. Verifique que todos los tornillos están apretados. Verifique que el control del acelerador (en caso de tenerlo) y la palanca de parada del motor funcionan correctamente.

Si el cortacésped está equipado con ajustadores de altura, verifique que los ajustadores de altura funcionan apropiadamente. Antes de arrancar el motor, verifique que cada ajustador de altura está fijado en la altura deseada. Vea "Ajuste de la Altura de Corte" en las secciones de Mantenimiento.

Manejo

Palanca de parada del motor

Libere la palanca de parada del motor (A, Figura 11) y el motor y la cuchilla se detendrán automáticamente. Para mantener en funcionamiento el motor, sostenga la palanca de parada del motor en la posición de operación (B).

Antes de arrancar el motor, accione varias veces la palanca de parada del motor. Verifique que el cable se mueva fácilmente.

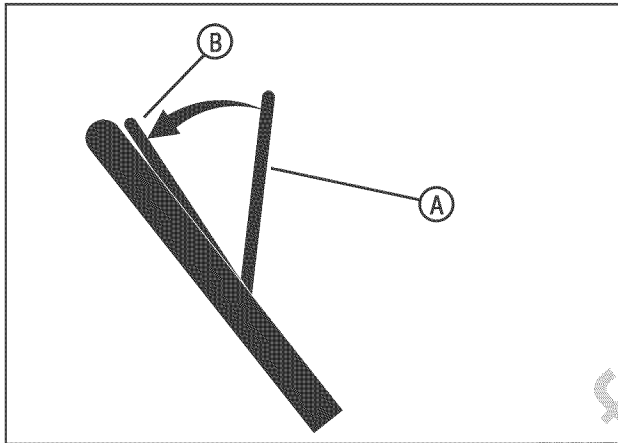


Figura 11: Operación de la palanca de parada del motor

Sistema de tracción (propulsión) delantera (Sólo las unidades autopropulsadas)

El cortacésped tiene un sistema de tracción de las ruedas delanteras. Maneje el sistema de tracción de la siguiente manera.

1. Sostenga la palanca de parada del motor (A, Figura 11) en la posición de operación (B).
2. Tire de la palanca de tracción (A, Figura 12) completamente hacia atrás. El sistema de transmisión está ahora acoplado.
3. Para desactivar el sistema de tracción y detener el motor, libere completamente la palanca de parada del motor.
4. Para desacoplar sólo el sistema de transmisión, libere la palanca de tracción. El sistema de tracción se desactivará pero el motor continuará en funcionamiento.

Nota: Cuando el sistema de tracción está desactivado en una unidad nueva, es posible que las ruedas delanteras giren si se levantan del suelo. Esto es normal y dejará de suceder después de una o dos horas de operación.



ADVERTENCIA: Para una operación segura, el sistema de tracción debe desactivarse inmediatamente cuando se libera la palanca del sistema de tracción. Si el sistema de tracción no se desactiva correctamente, no opere el cortacésped hasta que el sistema de tracción sea ajustado o reparado por un centro de servicio autorizado.

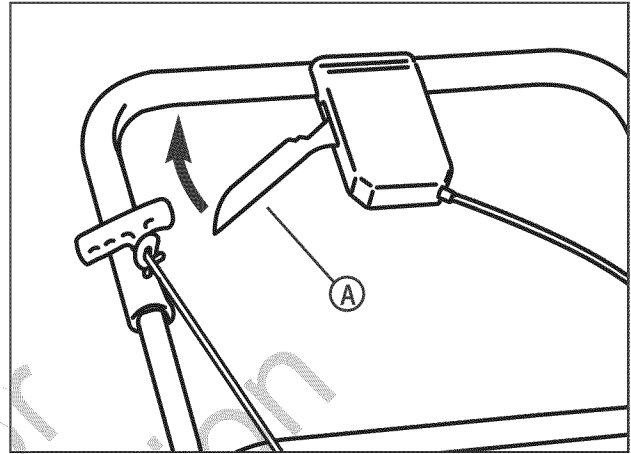


Figura 12: Operación del sistema de tracción de las ruedas delanteras

Parada del motor

Para detener el motor, libere la palanca de parada del motor. Desconecte el cable (eléctrico) de la bujía para evitar que el motor arranque.

Antes de arrancar el motor, revise el cable (mecánico) de parada del motor. Verifique que el cable de parada del motor está ensamblado correctamente. Antes de operar la unidad, reemplace un cable de parada de motor, dañado o doblado.

Encendido del motor



ADVERTENCIA: La cuchilla girará cuando el motor se ponga en funcionamiento.

IMPORTANTE: Antes de arrancar el motor, accione varias veces la palanca de parada del motor. Verifique que el cable de parada del motor se mueve libremente.

Nota: El diseño del motor no incluye un control del acelerador o un ajuste de la velocidad del motor. El motor está ajustado en la mejor velocidad para el corte de césped, para el empacado en bolsa del césped y para una vida útil prolongada del motor.

1. Revise el nivel de aceite.
2. Llene el tanque de combustible con gasolina normal sin plomo. Verifique que la gasolina está limpia. La gasolina con plomo aumentará los depósitos y acortará la vida de las válvulas.

Nota: No utilice gasohol ni metanol. No utilice gasolina premium sin plomo.



ADVERTENCIA: Siempre utilice un recipiente de seguridad para la gasolina. No fume mientras agrega gasolina al tanque de combustible. Cuando se está dentro de un lugar cerrado, no agregue gasolina. Antes de agregar gasolina, detenga el motor y permita que el motor se enfríe durante varios minutos.

3. Verifique que el cable de la bujía está conectado a la bujía.
4. *Sólo los modelos autopropulsados* - Verifique que la palanca del sistema de tracción está en la posición desactivada.



ADVERTENCIA: Para evitar un accidente, verifique que la palanca del sistema de tracción está en la posición **DESACTIVADA (DISENGAGED)**. Cuando la palanca del sistema de tracción está en la posición **ACTIVADA (ENGAGED)**, no arranque el motor.

5. El botón cebador (**A, Figura 13**) está al lado del motor. Oprima el botón cebador. Cada vez que usted oprima el botón cebador, espere dos segundos. Para averiguar el número de veces que se requiere oprimir el botón cebador, vea las instrucciones del fabricante del motor.

Nota: No utilice el botón cebador para arrancar un motor caliente.

Nota: Los modelos equipados con motores Ready Start™ no tienen botón cebador. Vea las instrucciones del fabricante del motor para obtener información adicional.

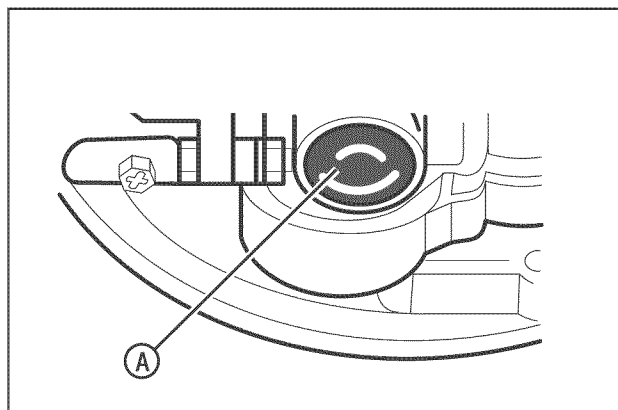


Figura 13: El botón cebador del motor

6. Párese detrás del cortacésped. Utilice una mano para sostener la palanca de parada del motor en la posición de operación (**A, Figura 14**). Utilice la otra mano para agarrar el mango (**B**) del cable retráctil de arranque.
7. Verifique que el cable retráctil de arranque no está atrapado o atrapado entre las posiciones superior e inferior. Hale rápidamente el mango del cable retráctil de arranque. Regrese lentamente el mango del cable retráctil de arranque.
8. Si el motor no arranca en 5 o 6 intentos, vea las instrucciones "Solución de problemas"

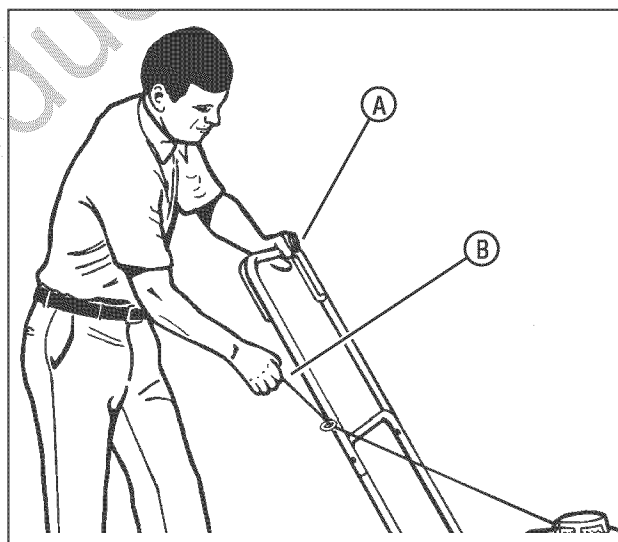


Figura 14: Arranque del motor

Reglas para un manejo seguro y efectivo

Consulte la sección 'Manejo Seguro' de este manual para obtener reglas importantes relacionadas con el manejo seguro y efectivo del cortacésped.

Mantenimiento

Tabla de Mantenimiento

CORTACÉSPED
Cada 8 horas o diariamente
Revisar el palanca de parada del motor
Limpiar los desechos del cortacésped
Cada 25 horas o anualmente *
Revisar cortacésped por si tuviesen piezas sueltas
Cada 50 horas o anualmente *
Limpiar la batería y el cableado (si equipado)
Consulte al distribuidor cada año para
Lubricar el cortacésped
Revisar la correa
Revisar las cuchillas del cortacésped **
Comprobar el tiempo de detención de las cuchillas de la segadora

* Lo que ocurra en primer lugar.

**Revise las cuchillas más a menudo en regiones que tengan suelos arenosos y en condiciones en las que exista mucho polvo.

MOTOR
Primeras 5 horas
Cambiar el aceite del motor
Cada 8 horas o diariamente
Comprobar el nivel de aceite del motor
Cada 25 horas o anualmente *
Limpiar el filtro y el depurador de aire del motor (si equipado) **
Cada 50 horas o anualmente *
Cambiar el aceite del motor
Sustituir el filtro de aceite (si equipado)
Anualmente
Sustituir el filtro de aire
Sustituir el depurador (si equipado)
Consulte al distribuidor cada año para
Inspeccionar el silenciador y la pantalla antichispas (si equipado)
Sustituir la bujía
Sustituir el filtro de combustible (si equipado)
Limpiar el sistema de refrigeración de aire del motor

* Lo que ocurra en primer lugar

**En condiciones en las que exista polvo o suciedad en forma de partículas en suspensión, limpiar más a menudo.

Mantenimiento del motor

Utilice la siguiente sección de Mantenimiento para mantener su unidad en buenas condiciones de funcionamiento. Toda la información de mantenimiento para el motor está en el "Manual de Instrucciones del Motor". Antes de arrancar el motor, lea este manual.



ADVERTENCIA: Antes de realizar una inspección, ajuste (excepto el carburador) o reparación; detenga el motor y desconecte el cable de la bujía.

Inclinación del motor

Cuando usted suministre servicio de mantenimiento al motor, inspeccione la cuchilla, o limpie el lado de abajo de la cubierta del cortacésped; asegúrese de inclinar el motor siempre teniendo arriba la bujía (Figura 15). El transporte o inclinación del motor con la bujía abajo causará:

- Arranque difícil.
- Ahumado del motor.
- Ensuciado de la bujía.
- Saturación de aceite o gasolina del filtro de aire.

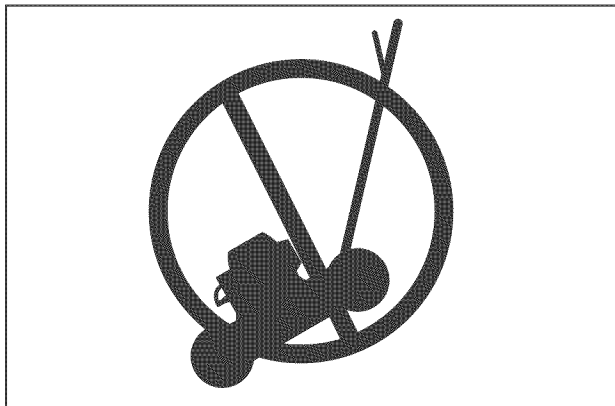


Figura 15: No incline hacia adelante el motor

Limpieza de la cubierta del cortacésped



ADVERTENCIA: La cuchilla girará cuando el motor se ponga en funcionamiento. Antes de limpiar la cubierta del cortacésped, detenga el motor y desconecte el cable de la bujía.

El césped y otros residuos pueden evitar que el cortacésped funcione correctamente. Después de cortar el césped, limpie la cubierta del cortacésped, de la siguiente manera.

1. Detenga el motor.
2. Desconecte el cable de la bujía.
3. Limpie la suciedad y los residuos de la parte superior e inferior de la cubierta del cortacésped. Limpie con jabón y agua. Remueva con un trapo el exceso de agua antes de almacenar la unidad.

Lubricación

1. Para máximo desempeño, lubrique con aceite de motor, cada 25 horas, las ruedas y todos los puntos de pivote.
2. Para lubricar el motor, consulte el "Manual de Instrucciones del Motor".

Nota: No lubrique el cable de parada del motor. Los lubricantes dañarán el cable y evitarán que el cable se mueva libremente. Reemplace el cable si está doblado o dañado.

Ajuste de la altura de corte



ADVERTENCIA: La cuchilla girará cuando el motor se ponga en funcionamiento. Antes de cambiar la altura de corte, detenga el motor y desconecte el cable de la bujía.

Para cambiar la altura de corte, mueva la posición del brazo ajustador en cada rueda (A, Figura 16). Verifique que cada brazo ajustador está en la misma posición de modo que el cortacésped cortará de manera nivelada.

1. Desenganche el brazo ajustador.
2. Mueva el brazo ajustador a otra posición.

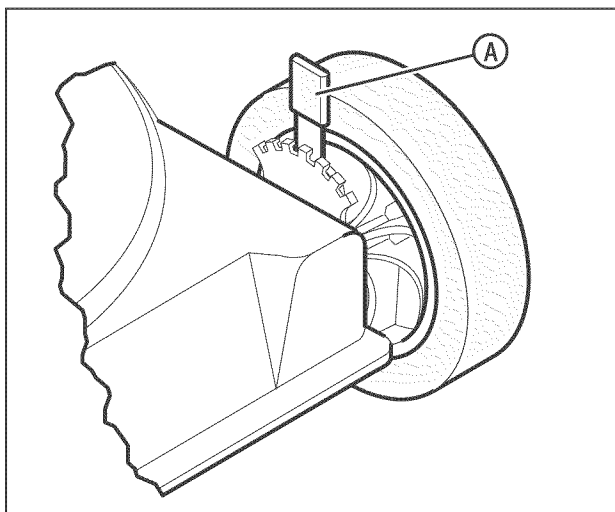


Figura 16: Ajuste de la altura de corte

Mantenimiento

Ajuste del cable del sistema de tracción de las ruedas (Sólo las unidades autopropulsadas)



ADVERTENCIA: Antes de ajustar el cable del sistema de tracción de las ruedas, libere la palanca de parada del motor y espere que el motor se detenga.

Si el sistema de tracción no se activa y desactiva correctamente, revise el asidero en cuanto a ensamblaje correcto. Verifique que todas las piezas están en buenas condiciones, que no están rotas ni dobladas, y que todos los tornillos están apretados.

Las piezas desgastadas y el cable alargado cambiarán el funcionamiento del sistema de tracción de las ruedas. Al cortar el césped en césped alto o grueso, o en terrenos inclinados, el sistema de tracción puede deslizarse. Si el sistema de tracción se está deslizando, ajuste de la siguiente manera o lleve el cortacésped a un centro de servicio autorizado.

IMPORTANTE: Antes de arrancar el motor, accione varias veces la palanca de parada del motor. Verifique que el cable de parada del motor se mueve libremente.

Nota: El diseño del motor no incluye un control del acelerador o un ajuste de la velocidad del motor. El motor está ajustado en la mejor velocidad para el corte de césped, para el empacado en bolsa del césped y para una vida útil prolongada del motor.

1. Si el sistema de tracción se está deslizando, afloje la contratuerca (B, Figura 17) en la tensor de ajuste (A), y gire el casquillo (C) media (1/2) vuelta en la dirección mostrada. Pruebe el sistema de tracción y revise en cuanto al deslizamiento.
2. Si el sistema de tracción sigue deslizándose, ajuste nuevamente. Nuevamente, pruebe el sistema de tracción.
3. Repita el ajuste y pruebe hasta que el sistema de tracción no se deslice.
4. Antes de empezar a cortar el césped, verifique que el sistema de tracción se desactiva correctamente y que el cortacésped se detiene. Si el sistema de tracción no se desactiva, lleve el cortacésped a un centro de servicio autorizado antes de colocarlo en funcionamiento.

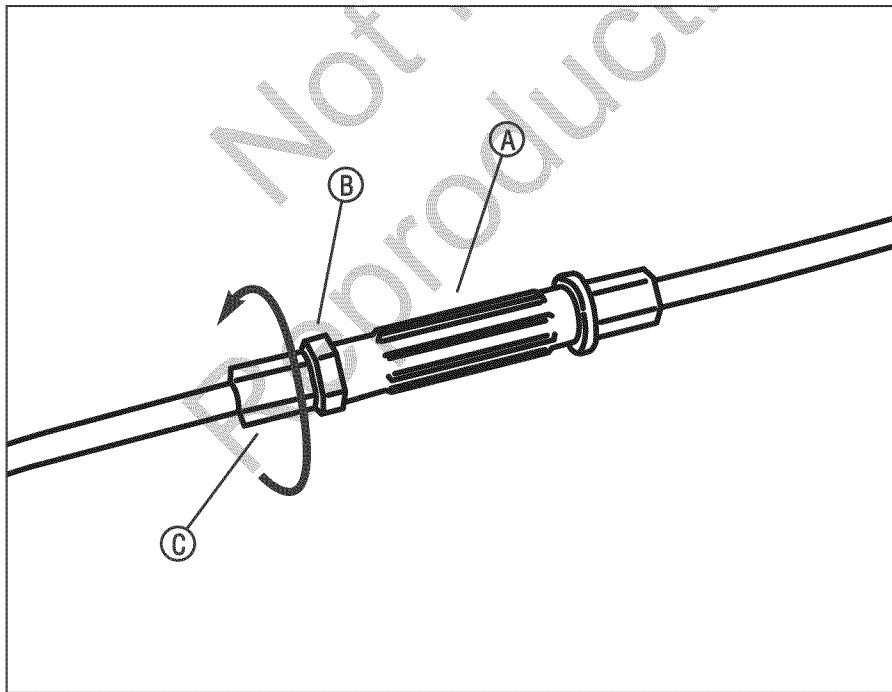


Figura 17: Ajuste del cable del sistema de tracción de las ruedas

Preparación del cortacésped para almacenamiento



ADVERTENCIA: No extraiga gasolina mientras se está en el interior de una edificación, cerca de una llama, o mientras usted fuma. Los vapores de la gasolina pueden causar una explosión o un incendio.

1. Drene el tanque de combustible.
2. Permita que el motor permanezca en funcionamiento hasta que se le agote la gasolina.
3. Drene el aceite del motor caliente. Llene el cárter del motor con aceite nuevo.
4. Remueva la bujía del cilindro. Vierta una onza de aceite dentro del cilindro. Hale lentamente el mango del cable retráctil de arranque para que el aceite proteja el cilindro. Instale una bujía nueva en el cilindro.
5. Limpie la suciedad y residuos de las aletas de enfriamiento del cilindro y de la carcasa del motor.
6. Limpie la parte inferior de la cubierta del cortacésped.
7. Verifique que la bolsa de césped está vacía. El césped que permanece en la bolsa durante el almacenamiento dañará la bolsa.
8. Limpie completamente el cortacésped para proteger la pintura.
9. Pliegue el asidero (si se desea).

PRECAUCION: Tenga cuidado al plegar o levantar el asidero. No dañe los cables. Un cable (mecánico) que está doblado no funcionará correctamente. Antes de utilizar la unidad, reemplace un cable dañado o doblado.

10. Coloque la unidad en una edificación que tenga buena ventilación.

Solución de problemas

El motor no arranca.

1. Verifique que el tanque de combustible está lleno con gasolina limpia. No utilice gasolina vieja.
2. En un motor frío, oprima el botón cebador (opcional en algunos modelos). Para averiguar el número de veces requerido para oprimir el botón cebador, vea las instrucciones del fabricante del motor.
3. Verifique que el cable (eléctrico) de la bujía está conectado a la bujía.
4. Hay demasiada gasolina en el cilindro del motor. Remueva y seque la bujía. Hale varias veces el mango del cable retráctil de arranque. Instale la bujía. Conecte el cable a la bujía. Arranque el motor.
5. El motor es difícil de arrancar en césped alto o pesado. Mueva el cortacésped hacia una superficie seca y limpia.
6. Verifique que la palanca de parada del motor está en la posición de operación.
7. Verifique que la válvula de combustible está en la posición ON (Abierta). Consulte el Manual del Motor.

El motor no se detiene.

1. Libere la palanca de parada del motor.
2. Revise el cable (mecánico) de parada del motor. Reemplace el cable si está doblado o dañado.

El funcionamiento del motor es defectuoso.

1. Revise los ajustes de la altura de corte. Aumente la altura de corte si el césped es alto.
2. Revise la parte inferior de la cubierta de la cuchilla. Limpie la cubierta de la cuchilla para remover césped y otros residuos.
3. Revise el cable de la bujía. Verifique que el cable está conectado.
4. Limpie las aletas de enfriamiento del motor para remover césped y otros residuos.
5. Revise la separación entre electrodos de la bujía. Establezca la separación entre electrodos de la bujía en 0.030".
6. Verifique la cantidad de aceite en el motor. Llene con aceite si es necesario.
7. Revise el filtro de aire del motor. Consulte el Manual del Motor.
8. La gasolina está deficiente. Drene y limpie el tanque de combustible. Llene el tanque de combustible con gasolina limpia.

Vibración excesiva.

1. Lleve el cortacésped a un Centro de Servicio Autorizado.

El césped no se descarga correctamente.

1. Limpie la parte inferior de la cubierta del cortacésped.
2. Lleve el cortacésped a un Centro de Servicio Autorizado.

El césped no se corta de manera uniforme.

1. Revise el ajuste de altura en cada rueda. El ajuste de altura debe ser el mismo para cada rueda.
2. Lleve el cortacésped a un Centro de Servicio Autorizado.

GARANTÍA LIMITADA

Briggs & Stratton Power Products Group, LLC reparará y/o reemplazará, sin cargo, cualquier pieza del equipo que esté defectuosa en material o fabricación o ambos. Briggs & Stratton Corporation reparará y/o reemplazará, sin cargo, cualquier pieza del motor* de Briggs and Stratton (si está equipado con éste) que esté defectuosa en material o fabricación o ambos. El comprador debe cubrir los gastos de transporte del producto que se envíe para reparación o reemplazo según esta garantía. Esta garantía está en vigencia por los períodos y sujeta a las condiciones que se establecen más adelante. Para el servicio de garantía, busque el distribuidor de servicio autorizado más cercano usando el mapa localizador de distribuidores en www.BriggsandStratton.com o www.BrutePower.com.

No existe otra garantía expresa. Las garantías implícitas, inclusive aquellas de comerciabilidad y de idoneidad para un propósito en particular se limitan a un año a partir de la fecha de compra o hasta los límites permitidos por la ley. La responsabilidad por daños directos o emergentes está excluida según lo permita la ley.

Algunos estados o países no permiten limitaciones sobre la duración de una garantía implícita y algunos estados o países no permiten la exclusión o limitación de daños directos o indirectos, por lo que puede que la limitación y exclusión anterior no se aplique a usted. Esta garantía le otorga derechos legales específicos y también podría ejercer otros derechos que varían según el estado o el país.

PERÍODO DE LA GARANTÍA

Elemento	Uso de consumo	Uso comercial:
Equipo	2 años	90 días
Motor*	2 años	90 días
Batería	1 año	1 año

El período de garantía comienza en la fecha de compra por el primer usuario final de consumo minorista o comercial, y continúa durante el período de tiempo que se indica anteriormente. "Uso de consumo" significa uso doméstico residencial personal por un consumidor minorista. "Uso comercial" significa todos los otros usos, lo que incluye el uso para propósitos comerciales, generar ingresos o alquiler. Una vez que el producto se haya usado para fines comerciales, de ahí en adelante se considerará como para uso comercial a efectos de esta garantía.

No es necesario registrar la garantía para obtener el servicio de garantía para productos Briggs & Stratton. Guarde el recibo del comprobante de la compra. Si no proporciona un comprobante de la fecha de compra inicial en el momento en que se solicite el servicio de garantía, se usará la fecha de fabricación del producto se usará para determinar si tiene derecho a la garantía.

ACERCA DE LA GARANTÍA

Aceptamos las reparaciones por el servicio de garantía y nos disculpamos por las molestias. El servicio de garantía se encuentra disponible solamente a través de concesionarios de servicio autorizados por Briggs & Stratton o BSPPG, LLC.

La mayoría de las reparaciones por el servicio de garantía se gestionan de manera rutinaria, aunque en ocasiones puede que las solicitudes de servicio de garantía no sean adecuadas. Esta garantía solamente cubre defectos de material o fabricación. No cubre los daños ocasionados por un uso incorrecto o un mal uso, un mantenimiento o unas reparaciones inadecuadas, el desgaste y la rotura propios del uso, o el uso de un combustible en mal estado o no aprobado.

Uso no adecuado y mal uso - El uso correcto y para el que se ha concebido este equipo se describe en el manual del usuario. Si el producto no se usa de la manera que se describe en el manual del usuario o si el producto se usa después de que haya resultado dañado, quedará anulada la garantía. La garantía queda anulada si se ha borrado el número de serie del producto o el producto ha sido modificado de alguna manera, o si el producto presenta indicios de haber sido usado incorrectamente, por ejemplo, daños producidos por un impacto, o daños producidos por corrosión química/agua.

Reparación o mantenimiento incorrectos - Este producto debe mantenerse de acuerdo con los procedimientos y el calendario que se proporcionan en el manual del usuario, y debe ser reparado usando para ello piezas originales de Briggs & Stratton. La garantía no cubre los daños ocasionados por la falta de mantenimiento o el uso de piezas no originales.

Desgaste normal - Como otros dispositivos mecánicos, su unidad está sujeta a un desgaste incluso si se realiza en ella un mantenimiento correcto. Esta garantía no cubre las reparaciones cuando el uso normal ha agotado la vida útil de una pieza o del equipo. Las piezas que sufren desgaste y que deben someterse a programas de mantenimiento tales como los filtros, la correas, las cuchillas de corte y las zapatas del freno (las zapatas del freno del motor están cubiertas por la garantía) no están cubiertas por la garantía debido a que únicamente pueden desgastarse, a menos que el origen del desgaste sean defectos en el material o en la fabricación.

Combustible en mal estado - Para que este producto funciona correctamente, se necesita combustible fresco (reciente) que cumpla los criterios especificados en el manual del usuario. Los daños ocasionados por el combustible viejo (en mal estado), como fugas en el carburador, tubos de combustible obstruidos, válvulas obstruidas, etc. no están cubiertos por la garantía.

* Esto sólo se aplica a los motores de Briggs and Stratton. La cobertura de la garantía de los motores no fabricados por Briggs and Stratton la ofrece el fabricante del motor.



GUÍA PARA MANEJAR EN PENDIENTES

APUNTE Y SOSTENGA ESTA GUÍA A NIVEL CON UN ÁRBOL VERTICAL, LA ESQUINA DE UNA ESTRUCTURA, UN POSTE DE ENERGÍA ELÉCTRICA O UNA VALLA.



Para determinar si no es peligroso cortar el césped en una pendiente cuando maneja un tractor cortacésped: (1) desengrane la cuchilla(s), (2) ponga la máquina en marcha atrás, y (3) pruebe ascender la pendiente retrocediendo en línea recta. Si puede hacerlo, por lo general no es peligroso cortar el césped. Sin embargo, si no se siente seguro, o no está totalmente convencido, use esta guía y no corte el césped en una pendiente que sea mayor que 15 grados. Si está usando el tractor cortacésped con un accesorio remolcado o de montaje trasero, no lo maneje en una pendiente que sea mayor que 10 grados.

Una pendiente de 15 grados es un cerro cuya altura aumenta aproximadamente 2.5 pies en 10 pies.

Una pendiente de 10 grados es un cerro cuya altura aumenta aproximadamente 1.7 pies en 10 pies.



Preste mucha atención en todo momento, y evite los virajes o maniobras bruscas. Para su seguridad, respete otras instrucciones encontradas en este manual mientras corta césped en pendientes. Maneje el tractor cortacésped de subida o bajada en las pendientes, nunca a lo ancho de las mismas. Maneje el cortacésped de empuje a lo ancho de las pendientes, nunca subiendo o bajando. Sea sumamente cuidadoso cuando maneje en o cerca de pendientes y obstrucciones.

SNAPPER®

CORTADORAS DE CÉSPED CON CONDUCTOR A PIE SNAPPER® DE 55.9 cm (22")

Especificaciones del Producto

	S22675 / NS22675	SP22675 / NSP22675
Tamaño de plataforma (<i>pulg.</i>)	22	22
Altura de corte (<i>pulg.</i>)	1.25 - 4	1.25 - 4
Tipo de transmisión (<i>Sólo las unidades autopropulsadas</i>)	N/A	Velocidad/Relación única
Velocidad de avance (<i>mph</i>) (<i>Sólo las unidades autopropulsadas</i>)	N/A	2.3
Potencia del motor (<i>pies-lbs</i>)	6.75	6.75
Cilindrada del motor (<i>cc</i>)	190	190
Capacidad del tanque de combustible (<i>cuarto de galón</i>)	1	1

Piezas de repuesto comunes

	Número de Pieza
Cable para el control de cuchilla (<i>Todos</i>)	7101395
Cable de tracción de ruedas (<i>SP22675 y NSP22675 únicamente</i>)	7101401
Cuchilla de corte (<i>Todos</i>)	7100851
Correa de transmisión (<i>SP22675 y NSP22675 únicamente</i>)	7101193

Información sobre la potencia nominal del motor: La potencia nominal bruta para los modelos de motor de gasolina individuales está etiquetada de acuerdo con el código J1940 (Procedimiento de Cálculo de los Valores Nominales del Torque y Potencia de Motores Pequeños) de la SAE (Society of Automotive Engineers), y el desempeño nominal ha sido obtenido y corregido de acuerdo con el código SAE J1995 (Revisión 2002-05). Los valores de torque son calculados a 3060 RPM; los valores de caballos de fuerza son calculados a 3600 RPM. La potencia bruta real del motor será inferior y es afectada por, entre otras cosas, las condiciones operativas ambientales y la variabilidad de motor a motor. Dadas ambas, la amplia variedad de productos en los cuales se colocan los motores y la variedad de factores ambientales aplicables a la operación del equipo, el motor de gasolina no desarrollará la potencia bruta nominal cuando se utiliza en una pieza dada de equipo motriz (real "en-sitio" o caballos de fuerza netos). Esta diferencia se debe a una variedad de factores, que incluyen, pero no se limitan a, los accesorios (filtro de aire, tubo de escape, característica de cargado, enfriamiento, carburador, bomba de combustible, etc.), limitaciones de aplicación, condiciones operativas ambientales (temperatura, humedad, altitud), y variabilidad de motor a motor. Debido a limitaciones de fabricación y capacidad, Briggs & Stratton podría sustituir motor de mayor potencia nominal por el motor de esta Serie.