

Description: **ROBINHOOD 60CM CERAMIC COOKTOP**

Model Number: **HEE604TFG**



Contents

Congratulations!

Thank you for choosing one of our appliances. Before you use the appliance, we strongly recommend that you read through the whole user manual which provides important safety instructions and description of the product and the proper use of its functions.

To avoid the ever-present risks involved with using an electrical appliance it is vital that the oven is installed correctly and that you read the safety instructions carefully to avoid misuse and hazards. It is important that you retain these instructions and your proof of purchase along with any other important documents about this product for future reference.

Due to continual product development, Robinhood reserves the right to alter specifications or appearances without notice.

Important Safety Instructions.....	1
Product Description.....	2
Installation Instructions.....	3-5
Operating Instructions.....	6-7
Maintenance and Cleaning.....	7
Warranty Certificate (New Zealand).....	8
Warranty Certificate (Australia)	9

Disposal Information

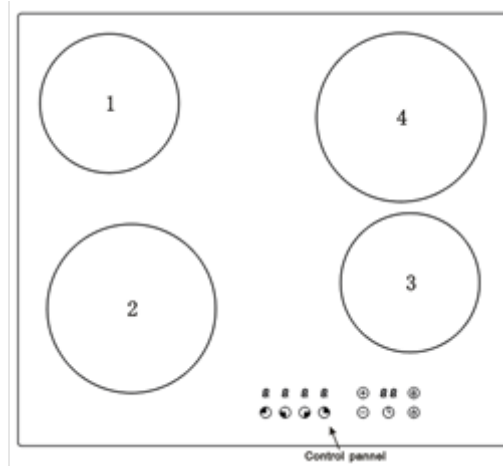
- Most of the packing materials are recyclable. Please dispose of these materials through your local recycling depot or by placing them in appropriate collection containers.
- If you wish to discard this product, please contact your local authorities and ask for the correct method of disposal.

Important Safety Instructions

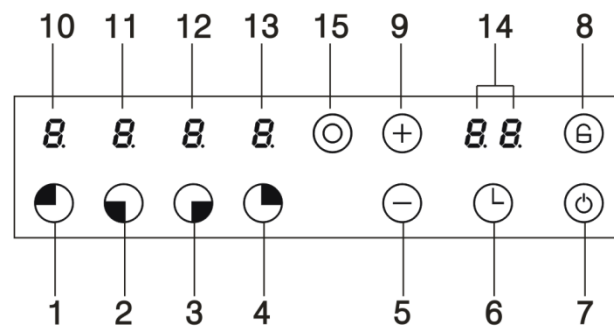
IMPORTANT: Read the assembly instruction section and safety precautions of this booklet carefully before removing the contents of this carton.

1. This appliance is not intended for use by persons (including children) with reduced physical, sensory or mental capabilities, or lack of experience or knowledge, unless they have been given supervision or instruction concerning the use of the appliance by a person responsible for their safety. Children should be supervised to ensure that they do not play with the appliance.
2. After removing the packaging, make sure to check if there is any damage to the appliance. If there is any damage (including cracked glass), never attempt to use the appliance and immediately contact your Authorised Service Centre. As packaging materials can be dangerous to children, they need to be collected immediately and put out of reach.
3. In certain circumstances electrical appliances may be a danger hazard. Check the conformity of voltage and power settings, which are specified on the information plate attached to the appliance and/or packaging, with the usage conditions available.
4. Do not place heavy objects in or on these appliances, use for storage or as a cutting surface. This appliance is designed for cooking food only. Use flat based, stable cooking pots only.
5. This appliance is designed for domestic household use only and for the cooking of domestic food products. Use as a commercial appliance will void the warranty. It should not to be used in a marine environment or outdoors and must be fully built in. Do not use the appliances until fully installed.
6. A means for disconnection must be incorporated in the fixed wiring in accordance with the wiring rules.
7. The electrical connection must be accessible after installation. The appliance must be electrically isolated before any maintenance can be performed.
8. The appliance is not intended to be operated by means of an external timer or separate remote control system.
9. Electrical connection must be made as per local wiring rules and regulations. Do not disconnect the appliance with wet hands or bare feet, and do not disconnect the power cord with extreme force.
10. Ensure that the kitchen is well ventilated or mechanical ventilation is in use while cooking on this appliance.
11. Do not store or use flammable materials or aerosols near the cooktop. Items made from aluminium, plastic or plastic film should also be kept away from the appliance, as they may fuse to the surface.
12. **WARNING** – The surface temperature of this appliance exceeds 95°C. To avoid a hazard, under bench access must be restricted. Aboard must be installed underneath the cooktop.
13. **WARNING** - The cooktop will become hot during and directly after use. Do not touch the surface during this time, as it may be hot and can cause burns. To avoid burns, children should be kept away.
14. Cleaning may only be commenced on the appliance once it has cooled down and is turned off. Do not use a steam jet or any other high pressure cleaning equipment to clean the appliance.
15. When the appliance is not being used, turn the appliance off.
16. Where this appliance is installed in a caravan, it shall NOT be used as a space heater.
17. Do not modify this appliance.
18. Do not use harsh abrasive cleaners or sharp metal scrapers to clean the glass surface as they can scratch the surface, which may result in the glass shattering. Clean the glass using a warm damp cloth (e.g. dishcloth) and dry it with a soft dry tea towel.
19. All cabinetry and materials used in the installation must be able to withstand a minimum temperature of 100°C above the ambient temperature of the room it is located in, whilst in use. Certain types of vinyl or laminate kitchen furniture are particularly prone to heat damage or discolouration at temperatures below the guidelines given above. Any damage caused by the appliance being installed without adhering to the temperature limits set out above will be the liability of the owner. To avoid any hazards, limit access to the under-bench section of the cooktop.
20. The appliance must be installed and put into operation by an authorised technician under the conditions provided by the manufacturer in this manual. The manufacturer cannot be held responsible for any damage that might occur due to faulty installation.
21. Damage can occur to bench tops if pots and pans are allowed to overlap the bench top. This can result in heat being transferred to the bench top. Ensure that correct sized pots & pans are used. Cast iron and cast aluminium cookware with damaged bases may scratch the cooktop surface if they are dragged across it. Pans should be lifted on and off the cooktop surface and not dragged. Cooking zones should not be switched on without cookware placed on it. Also the cookware should not be empty for any length of time.
22. If any cracking is noticed on the vitro-ceramic cooktop, turn the appliance off immediately and call your Authorised Service Centre.
23. Do not leave the cooktop while cooking with solid or liquid oils. There may be flaming up in conditions of extreme heating.
24. Never pour water onto the flames occurring from oil. Immediately turn the cooktop off and cover the pan with a lid or fire blanket in order to smother the flame.
25. The ceramic cooker hob must be installed by qualified personnel or technicians. We have professionals at your service. Please never conduct the operation by yourself.
26. The ceramic cooker hob shall not be mounted to cooling equipment, dishwashers and rotary dryers.
27. The ceramic cooker hob shall be installed such that better heat radiation can be ensured to enhance its reliability.
28. The wall and induced heating zone above the work surface shall withstand heat.
29. To avoid any damage, the sandwich layer and adhesive must be resistant to heat.
30. A steam cleaner is not to be used.

Product Description



Model	HEE604TFG
Voltage	220-240VAC ~50Hz
Rated Power	6400W
Element Zones	4



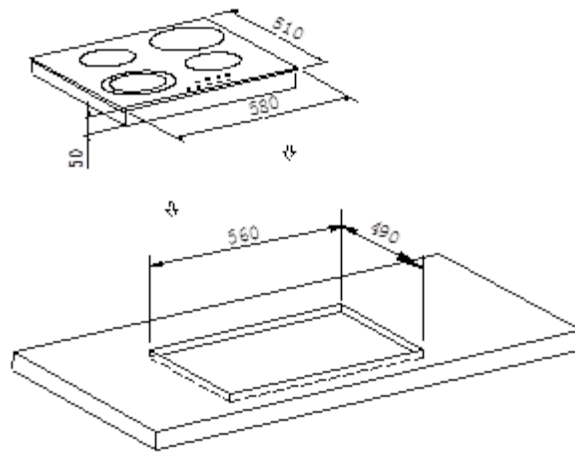
- | | |
|------------------------------------|--|
| 1. Cooking zone rear left button | 8. Safety lock button |
| 2. Cooking zone front left button | 9. Plus button |
| 3. Cooking zone front right button | 10. Rear left cooking zone indicator |
| 4. Cooking zone rear right button | 11. Front left cooking zone indicator |
| 5. Minus button | 12. Front right cooking zone indicator |
| 6. Timer selector | 13. Rear right cooking zone indicator |
| 7. On/Off button | 14. Timer display |

Technical Information

Cooking Zones (Ø mm, kW)

Front left: 1.2 kW +1.0 kW
 Rear left: 1.2 kW
 Rear right: 1.8 kW
 Front right: 1.2 kW
 Total power: 6.4 kW

Installation Instructions



- Kitchen furniture and cabinetry that is in direct contact with the appliance must be heat resistant to a minimum temperature of 100°C.
- The appliance can be installed on a bench with a thickness of between 30 and 40 mm.
- Carry out all cutting of the work surface, ensuring to remove all shavings and sawdust before inserting the appliance.
- To ensure correct ventilation of the hob please comply with the dimensions shows in the figures.
- Ensure that the surface is level and square and that nothing interferes with the space required for installation.
- Prepare the cut as indicated (see installation dimensions).

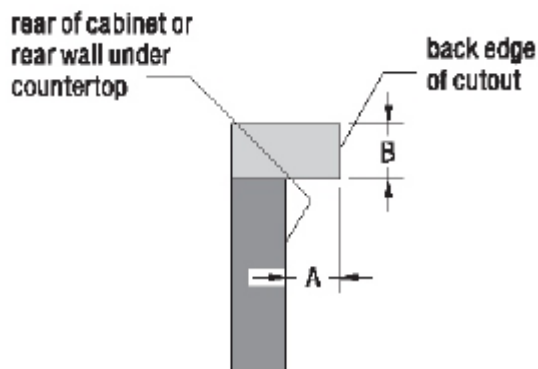
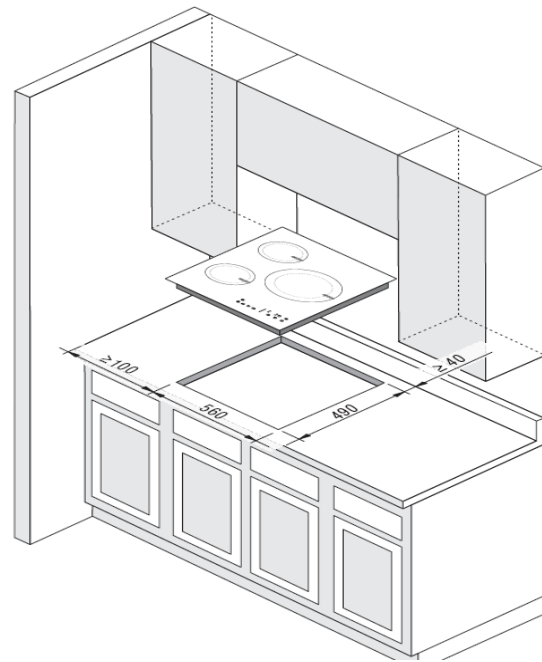


Fig.5

A. 40mm min
B. 40mm max

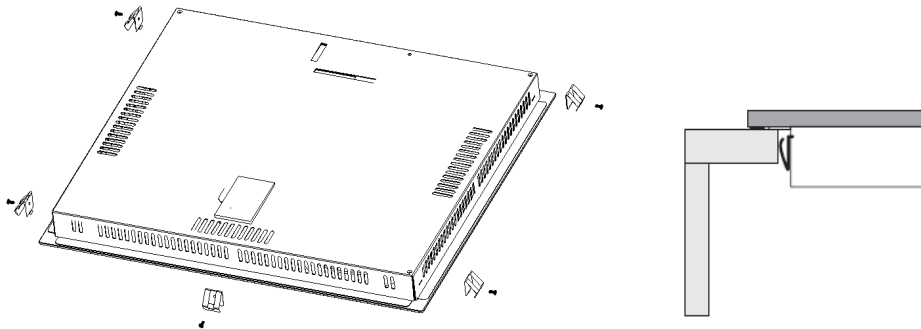
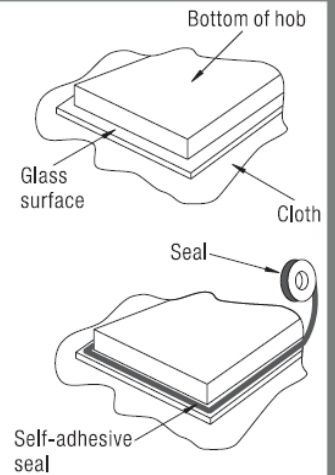


Installation Instructions

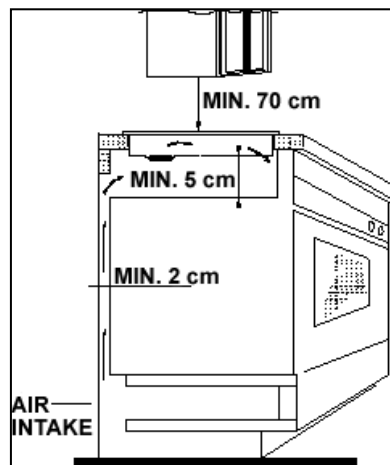
Installing the Cooktop

Note: Before proceeding with installation read the work instructions carefully.

1. Place a towel or cloth on the work surface. Place the cooktop face down on the protected surface.
2. Apply the strip seal, supplied with the hob, which is for sealing it onto the work surface. Do not use silicone. Apply the seal to the edge of the bottom of the cooktop, leaving about 3mm from the edge of the glass. Apply the seal all around the circumference. Cut off any excess and bring the two ends of the seal together so they match.
3. Fix the brackets (4 or 5 pcs) on the front side and rear side by screw. Put the cooktop in the cut-out and make centre it. Ensure that the front edge of the cooktop is parallel to the side edge of the work surface.



- **IMPORTANT:** You must observe the ventilation requirements shown in the figure below.
- **IMPORTANT:** There are ventilation holes around the outside of the cooktop. YOU MUST ensure that these holes are not blocked by the benchtop when you put the cooktop into position (see figure below).
- **IMPORTANT:** Do not use a silicon sealant to seal the appliance against the benchtop. This will make it difficult to remove the cooktop from the benchtop in the future, particularly if it needs to be serviced.



Installation Instructions

Electrical Connection

Supply connection: 30A (double pole switched fused outlet with minimum 3mm contact gap)


Before connecting the appliance, ensure that the supply voltage marked on the data label corresponds with your mains supply voltage.

WARNING: This appliance must be earthed.

Ensure that the power supply cable does not exceed a temperature of 50°C.

If the power supply cable is damaged, it must be replaced with an identical one which can be obtained from customer service. The power supply must be replaced by a qualified and authorised person.

Warning: This appliance must be installed by a qualified electrician or authorised service provider.

Remember to connect the safety circuit to the connection box terminal marked with . The electricity supply for the ceramic hob must have a safety switch which enables the power to be cut off in case of emergency. The distance between the working contacts of the safety switch must be at least 3mm.

- The cable connections must be in accordance with the diagram located on the bottom of the hob.
- The cable type must be connected to the corresponding power supply terminal box.
- You should use a good quality screwdriver to carefully, fully tighten ALL of the terminal screws.
- If, when the hob is first switched on, only two of the zones work you should recheck that the terminal screws are all fully tightened. This should be done before contacting the Customer Care Department.
- **IMPORTANT:** The appliance must NOT be connected to the mains supply by means of a 13A plug and socket.
- This appliance must be wired into a 30A double pole switched fused spur outlet, having 3 mm contact separation and placed in an easily accessible position adjacent to the appliance. It should not be located above the appliance and no more than 1.25m away from it.
- The cable can be looped if necessary, but make sure that is not kinked or trapped when the hob is in position. Care must be taken to avoid the cable being in contact with hot parts of the appliance.

Operating Instructions

First Time Usage



IMPORTANT: You should clean the ceramic hob surface (see "Maintenance and cleaning" section).

Turn each element on, one at a time, and leave them to run at full heat for five minutes. This will help to eliminate any new smell that exists and evaporate any humidity that has formed on the heating elements during transit. Only do this for one element at a time. Place a saucepan half filled with cold water on the element during this process.



Operation

1. Ensure that the cooktop is connected to the power supply and turned on.
 2. Hold the power button for 2-3 seconds. The cooktop will beep and enter standby mode.
 3. In standby mode, select the desired cooking zone by pushing the appropriate cooking zone button and adjust the power using the '+' and '-' buttons.
 4. To switch off a specific cooking zone, push the corresponding cooking zone button and push the '-' button until the power setting is zero.
- To turn off all cooking zones simultaneously, hold the power button for 2-3 seconds.
 - If any cooking zone is still hot after being switched off, its indicator will display 'H'.
 - Each cooking zone has 9 power levels.

Fast Heating

The Fast Heating function allows the cooktop to build up heat quicker.


1. From standby mode, select the desired cooking zone.
2. Push the '+' button until the cooking zone is at power level 9.
3. Push the '+' button once more. The cooking zone indicator will alternate between 9 and 'A'.
4. Push the '-' button to set the desired power level.
5. The cooktop will heat up at power level 9 and automatically switch to the desired power level once it reaches temperature. See the table below for timing.

Power Level	1	2	3	4	5	6	7	8	9
Fast-heating time (minutes)	1	3	4.8	6.5	8.5	2.5	3.5	4.5	5

Safety Lock

The safety lock will disable all buttons on the control panel except for the power on/off button. To engage the safety lock, hold down the safety lock button for 3 seconds whilst in standby mode. The safety lock icon will light up. If you power off the cooktop whilst the safety lock is activated, the safety lock will still be activated when you power the cooktop back on again. To disable the safety lock, hold the button down for three seconds.

Multiple-Ring Heating Function

Touch the double-ring button to activate the outer ring of the cooking zone. 

Operating Instructions

Timer

The timer has a range of 1-99 minutes. To use the timer, follow the below steps:

1. Press the timer button.
2. Use the '+' and '-' buttons to adjust the timer to the desired time limit (these can be held down to adjust the timer quicker).
3. The timer display will show the countdown time that is being set.
4. The timer will count down and the timer display will update each minute.
5. Once the timer has elapsed, the timer alarm will sound for two minutes. Press any button to disable the timer.
6. The timer can be manually disabled by adjusting the time to zero.

Partition Timer

The cooktop timer can be used as a minute minder for any of the cooking zones without affecting the cooking process or power setting of each burner and each value can be different.

- Single cooking zone timing
 - Push the cooking zone button to select that zone and then press the timer button.
 - Use the '+' and '-' buttons to adjust the timer.
- Multiple cooking zone timing
 - This process is the same as the single cooking zone timing. For each cooking zone in use, repeat the steps above.

By default, the timer display will show the shortest timer. To view the timer for a specific cooking zone, press the cooking zone button.

Default Timing

All of the cooking zones have a default timing function. The cooking zones will automatically turn off after this time has elapsed. See the table below to see the times for the different power levels.

Power Level	1	2	3	4	5	6-9
Default timing	6h	6h	5h	5h	4h	1.5h

How to use the Cooktop

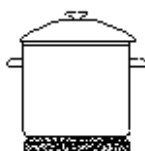
Put the pot in the centre of the cooking zone. Use a pot with a flat bottom with a diameter the same as the cooking zone.



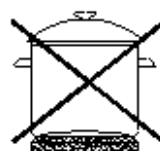
wrong



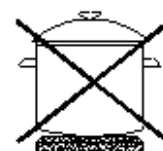
wrong



right



wrong



wrong

Maintenance and Cleaning



Warning: Ensure that the cooktop is cool before cleaning or performing maintenance. Disconnect the cooktop from the power supply before performing any maintenance.

- Do not use sharp scrapers or abrasive cleaning agents on the cooktop as these can damage it.
- Use a damp cloth and some washing detergent to clean the cooktop. Wipe it dry before use.
- Always ensure that the cooktop is clean before and after use.

Warranty Certificate (New Zealand)

Terms and Conditions

The following conditions apply in respect of the warranty given in this certificate:

1. Monaco Corporation Limited ("Monaco") warrants the following Robinhood products against manufacturing defects and faulty materials, under normal use and subject to the exclusions in this certificate, for a period of:
 - Rangehood, Ovens, Cooktops, Dishwashers, Refrigeration - 24 months from date of original purchase for domestic use.
 - Uniduct - 12 months from date of original purchase for domestic use.
 - Ironing centre - 12 months from date of original purchase for domestic use.
 - Sinks sets- 5 years on stainless steel sink including draining bench from date of original purchase for domestic use, 6 months on all stainless steel accessories, including wire rack, colander and tray from date of original purchase for domestic use.
 - Laundry Tub - 5 years on stainless bowl, 24 months on Tap, Cabinet and other components from the date of original purchase for domestic use.

"Original purchase", when used in this certificate, means purchase by the customer directly from Monaco or one of its approved suppliers.

2. This warranty is limited to the repair or replacement, at our option, within the warranty period of any component part which we at our discretion determine to contain faulty materials or a manufacturing defect in breach of this warranty. This warranty is subject to terms and conditions set out in this certificate.
3. The warranty only applies within New Zealand.
4. The customer must produce the original invoice or other purchase documentation as proof of the original purchase date.

Warranty exclusions

1. The warranty does not apply where, in Monaco's opinion:
 - The defect is caused by misuse, wear and tear, dirt, fire or accidental damage. The product has been repaired or serviced by an unauthorised person.
 - The product was not installed in accordance with our instructions.
 - The product was purchased overseas or was not designed for use in New Zealand. The product was not used, cleaned or cared for in accordance with our instructions.
 - The product was used outdoors.
2. In addition, this warranty does not extend to damage or defects which in our opinion, directly or indirectly arise from or are due to:
 - Exposing the product to acidic or corrosive materials or chemicals such as dyes, solvents, denture cleaner or acetone; Using inappropriate household cleaning products such as abrasive cream or powder cleansers, furniture polish, bleach, mentholated spirits, drain cleaners, sugar soap, metal pads and strongly alkaline or acidic cleaners;
 - Heat damage, including from washing the product at high temperatures;
 - Impact or mishandling the product, including the impact caused by objects scraped along, thrown or dropped on the product surface or excessive weight being placed on the product;
 - Structural or support changes in or affecting the building or the application where the product has been installed;
 - Failure to clean or maintain the product as recommended; or any other causes specified in the product information as being excluded from this warranty.
3. Variations with the colour or gloss within the product or any ageing or fading of colour, shine or gloss level over time are not covered by this warranty. The warranty does not cover visual imperfections or blemishes in the surface and edges of the product that were not brought to your supplier's attention at the time you inspected the product.
4. Costs incurred on installation or removal of a product, or any reinstallation of a product, or any associated costs, are not covered by this warranty.
5. Monaco will not be liable for consequential or indirect loss or damage whatsoever and however arising out of or in connection with the supply, performance or removal of the product, including (but not limited to) loss of profit, loss of revenue, loss of contract, loss of goodwill or increased cost of workings, even if due to the negligence of Monaco or any of its approved suppliers, employees or agents.
6. Charcoal filters and light bulbs are not covered by this warranty
7. This warranty and the statements contained in this certificate or other documents given to you do not exclude, restrict or modify the application of any term implied into this warranty by statute, provided that (to the extent any statutory provision permits Monaco to limit its liability for a breach of an implied condition or warranty) Monaco's liability for such breach is limited to the payment of the cost of replacing the product, repairing the product or acquiring an equivalent product.
8. Subject to clause 5, our obligations under this warranty are limited to those set out in this certificate, and this warranty is expressly instead of all other warranties, express or implied, including any implied warranty of merchantability or fitness for a particular purpose and notwithstanding any course of dealing between the parties or custom and usage in trade to the contrary.

Terms and conditions are subject to change.

Warranty Certificate (Australia)

Terms and Conditions

If you are a consumer under the Australian Consumer Law, our goods come with guarantees that cannot be excluded under the Australian Consumer Law. You are entitled to a replacement or refund for a major failure and for compensation for any other reasonably foreseeable loss or damage. You are also entitled to have the goods repaired or replaced if the goods fail to be of acceptable quality and the failure does not amount to a major failure.

1. Shriro Australia Pty Limited ("Shriro") also warrants the following Robinhood products against manufacturing defects and faulty materials, under normal use and subject to the exclusions in this certificate, for a period of:
 - Rangehood, Ovens, Cooktops, Dishwashers, Refrigeration - 24 months from date of original purchase for domestic use.
 - Uniduct - 12 months from date of original purchase for domestic use.
 - Ironing centre - 12 months from date of original purchase for domestic use.
 - Sinks sets- 5 years on stainless steel sink including draining bench from date of original purchase for domestic use, 6 months on all stainless steel accessories, including wire rack, colander and tray from date of original purchase for domestic use.
 - Laundry Tub - 5 years on stainless bowl, 24 months on Tap, Cabinet and other components from the date of original purchase for domestic use. "Original purchase", when used in this certificate, means purchase by the customer directly from Shriro or one of its approved suppliers.
2. This warranty is limited to the repair or replacement, at our option, within the warranty period of any component part which we at our discretion determine to contain faulty materials or a manufacturing defect in breach of this warranty. This warranty is subject to terms and conditions set out in this certificate.
3. The warranty only applies within Australia.
4. For warranty service outside of capital city metropolitan area or 30 km from nearest authorised service agent you will be liable for reasonable travelling expenses and the cost of transport of the product or parts to and from the service agent
5. To make a claim under this warranty, you must produce the original invoice or other purchase documentation as proof of the original purchase date. You must send your claim to Shriro Australia Pty Limited, 104 Vanessa Street, Kingsgrove, NSW, 2208, within 7 days of any alleged defect or failure of the product first becoming apparent. You are responsible for the expense of making a claim under this warranty.

This warranty is given by:

Shriro Australia Pty Ltd, ABN: 28 002 386 129

Telephone: 1800 648 556

Facsimile: 1800 628 577

Email: customercare@robinhood.com.au

www.robinhood.com.au

Attention: Customer Services Manager

Warranty exclusions

1. The warranty does not apply where, in Shriro's opinion:
 - The defect is caused by misuse, wear and tear, dirt, fire or accidental damage. The product has been repaired or serviced by an unauthorised person.
 - The product was not installed in accordance with our instructions.
 - The product was purchased overseas or was not designed for use in Australia.
 - The product was not used, cleaned or cared for in accordance with our instructions.
 - The product was used outdoors.
2. All Robinhood Rangehoods are suitable for indoor use only and not suitable over BBQs or charcoal cookers designed for outdoor use.
3. In addition, this warranty does not extend to damage or defects which in our opinion, directly or indirectly arise from or are due to: exposing the product to acidic or corrosive materials or chemicals such as dyes, solvents, denture cleaner or acetone; using inappropriate household cleaning products such as abrasive cream or powder cleansers, furniture polish, bleach, mentholated spirits, drain cleaners, sugar soap, metal pads and strongly alkaline or acidic cleaners; heat damage, including from washing the product at high temperatures; impact or mishandling the product, including the impact caused by objects scraped along, thrown or dropped on the product surface or excessive weight being placed on the product; structural or support changes in or affecting the building or the application where the product has been installed; failure to clean or maintain the product as recommended; or any other causes specified in the product information as being excluded from this warranty.
4. Variations with the colour or gloss within the product or any ageing or fading of colour, shine or gloss level over time are not covered by this warranty. The warranty does not cover visual imperfections or blemishes in the surface and edges of the product that were not brought to your supplier's attention at the time you inspected the product.
5. We will not be responsible under this warranty for, nor pay the costs of, removing the existing product, or reinstalling the new product, or any associated costs or damages.
6. Charcoal filters and light bulbs are not covered by this warranty.

The benefits given by this warranty are in addition to other rights and remedies of consumers under any law in relation to the goods which cannot be excluded.

This warranty certificate is not intended to create a contract between Shriro Australia Pty Limited and the purchaser.

New Zealand

Monaco Corporation Ltd

Telephone: (09) 415 6000

Facsimile: (09) 415 7400

Email: customercare@robinhood.co.nz

www.robinhood.co.nz

Australia

Shriro Australia Pty Ltd

ABN 28 002 386 129

Telephone: 1800 648 556

Facsimile: 1800 628 577

Email: customercare@robinhood.com.au

www.robinhood.com.au