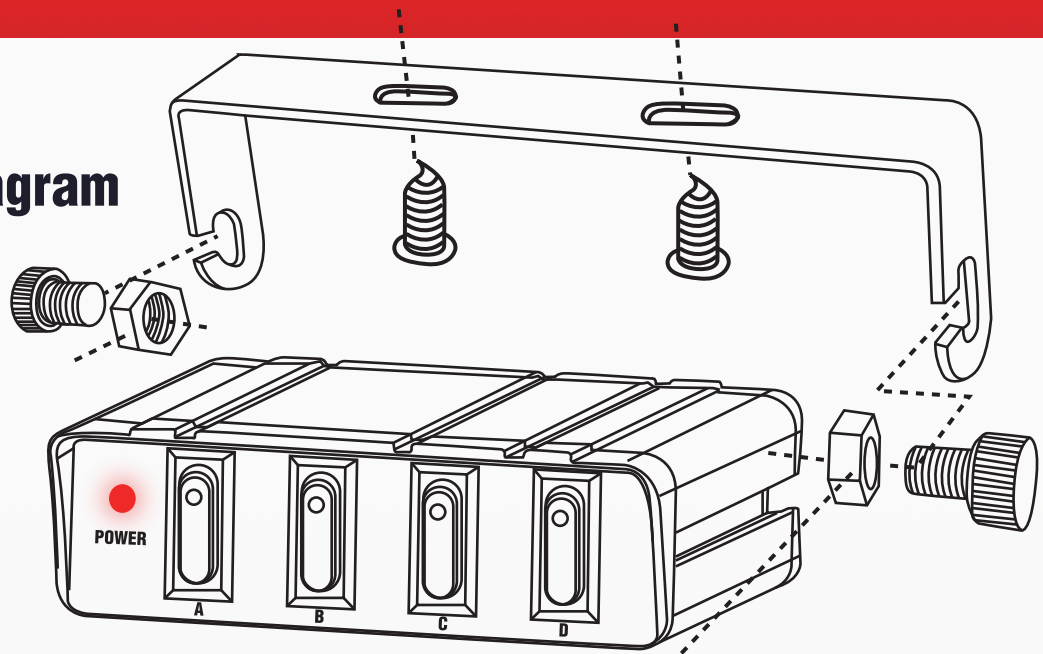


210*285mm

Nilight

4 gang Switch Box

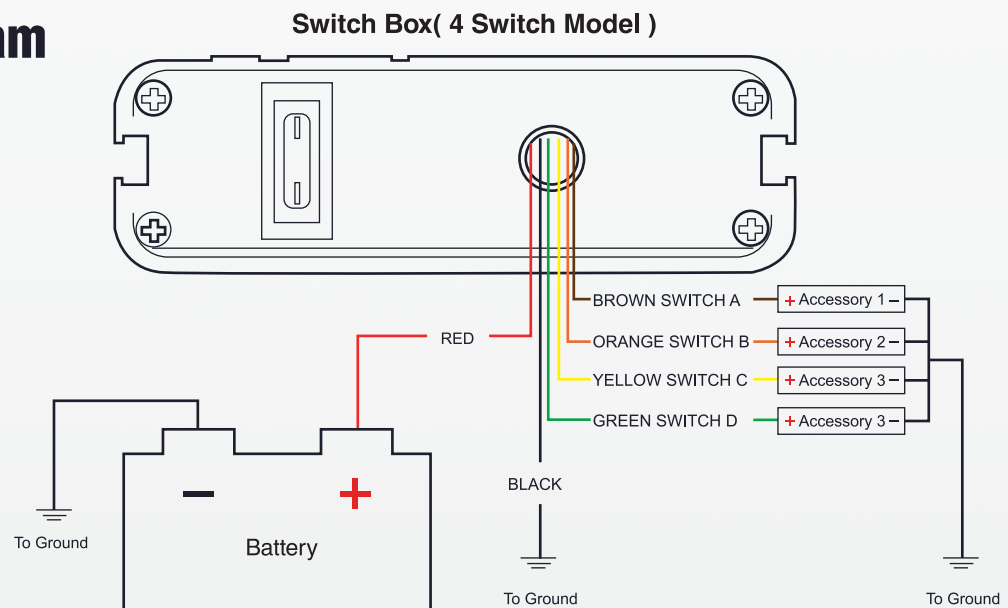
Mounting Diagram



The red power LED stays on all the time if you hook directly to the battery, to avoid battery drained off, you can:

1. Add a relay to it to cut the power off when the key is off
2. Connect the red wire to ACC

Wiring Diagram



WARNING!

All wires that connect to positive pole of the battery must be sized to supply at least 125% of the maximum operating current.

- Red - Positive battery power in.
- Black - Chassis ground for the switch box only(LED indicator on switches) .
- Brown - Power from switch"A" out to accessory **positive "+"**
- Orange - Power from switch"B" out to accessory **positive "+"**
- Yellow - Power from switch"C" out to accessory **positive "+"**
- Green - Power from switch"D" out to accessory **positive "+"**

Notes:

1. Attach the red wire(s) directly to the positive battery power
2. Attach the black wire(s) to the ground bolt or stud. If this is not possible,the wire can be attached to a cleanpaint-free metal surface that has continuity to the ground terminal on the battery.
3. The switch box contain a 40 amp fuse. It would also be a good idea to install a fuse in the wire between each switch and accessory if they are not already equipped with one.
4. A relay is needed to reduce the amperage load on the box and switches if the ACC is operating at 20Amps, as the maximum rating of the switches in the box is 20A.