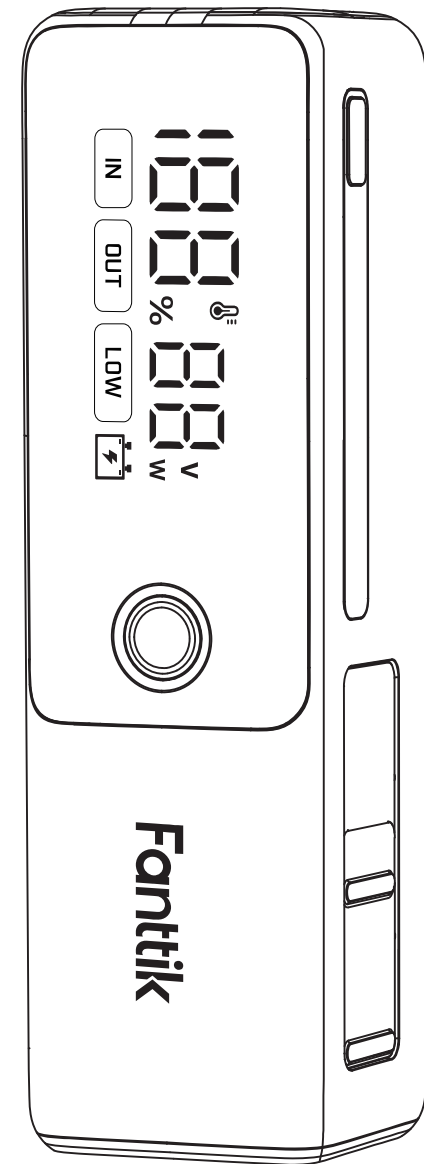


Fanttik

POTENT T10 JUMP STARTER

User Manual

Please read this instruction manual carefully before use and keep it for future reference.



Contents

1. SAFETY INSTRUCTIONS	02
2. PRODUCT OVERVIEW	05
3. PACKAGE CONTENTS	06
4. CHARGING	07
5. TURNING ON & OFF	09
6. HOW TO USE	10
7. POWER BANK FUNCTION	12
8. LIGHT	12
9. SPECIFICATION	13
10. TROUBLESHOOTING	14



1. SAFETY INSTRUCTIONS

- Read the user manual carefully before using this device.
- Do not use this device as a car battery.
- Do not use this device as a toy.
- Be careful to use it when there are children around to avoid injury.
- The product only works with 12V battery.
- Use the clamps that come with the device. When the clamp or wire is damaged, stop using it immediately to avoid personal injuries caused by fire or electric shock.
- Do not connect the positive and negative clamps to each other.
- Before starting, make sure there is no rust or foreign matter on the interface. Connect the device with the clamp tightly to make sure the device starts properly.
- Remove the clamps from the car battery within 30 seconds after successfully starting the car. Otherwise, it may cause damage.

- Do not start the device more than three times in a row, and the interval between each start should be at least two minutes, otherwise the product will be overheated and damaged.
- Do not use the clamps to power other devices.
- The device shall be charged at a temperature of 0°C–45°C/32°F–113°F.
- Do not put the device in water or expose it to rain.
- Do not expose the device to high temperature or fire.
- Do not use the device in explosive environment with flammable liquid, gas or dust.
- Make sure that someone around is available to help you when using the device.
- Do not wear metal jewelry such as rings, bracelets, and necklaces while using the device.
- Disconnect the jump starter and the clamp at the battery clamp plug to reduce the risk of damage to the power plug and power cord.

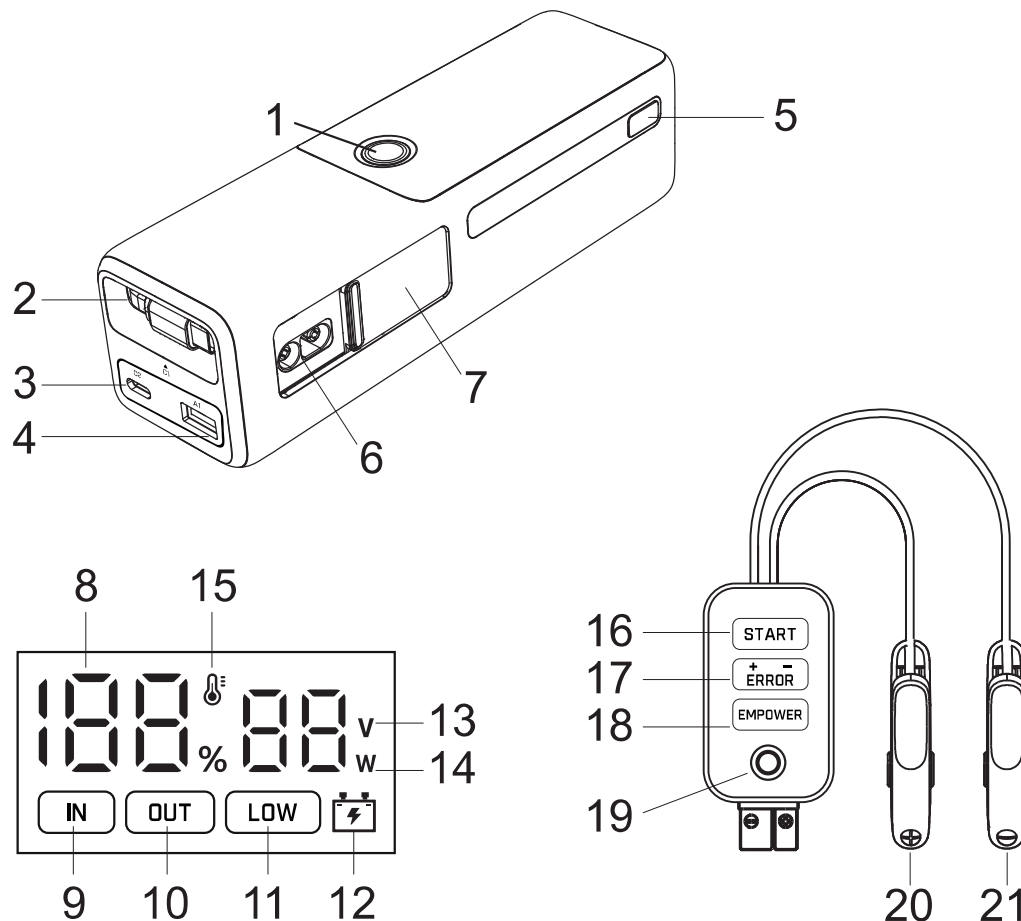
- Do not use damaged or modified battery packs to avoid the danger of fire, explosion, and injury.
- Use the original charger or a charger with the same input terminal as the jumper starter to charge.
- Do not charge this device immediately after starting the car.
- Do not start the car while charging the device.

WARNING

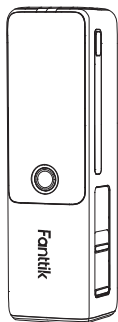
This product is for 12-Voltage vehicle (equipment) batteries. It may be dangerous if used with other types of batteries. Read and understand the safety instructions before using the jump starter. Failure to follow the safety instructions may cause damage to the jump starter, and may also result in electric shock, explosions, fire, property damage and personal injury.

2. PRODUCT OVERVIEW

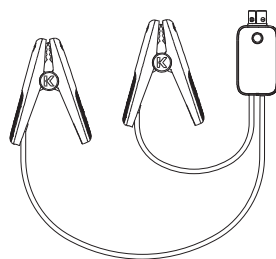
1. Power button
2. C1(IN&OUT)
3. C2(IN&OUT)
4. A1(OUT)
5. LED light button
6. Jumper cable socket
7. Slide cover
8. Battery percentage
9. Input icon
10. Output icon
11. Car battery low voltage icon
12. Car battery voltage testing icon
13. Car battery voltage
14. Input/output wattage
15. High&Low temperature icon
16. start icon
17. Reverse connection icon
18. Empower icon
19. Empower button
20. Positive clamp
21. Negative clamp



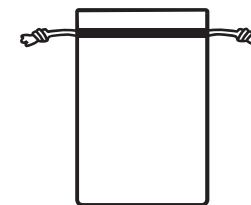
3. PACKAGE CONTENTS



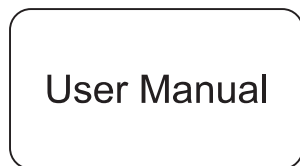
Potent T10
Jump Starter x1



Heavy-Duty
Battery Clamps x1

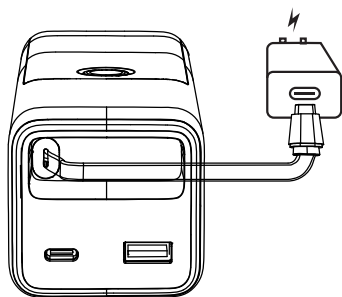


Storage Bag × 1

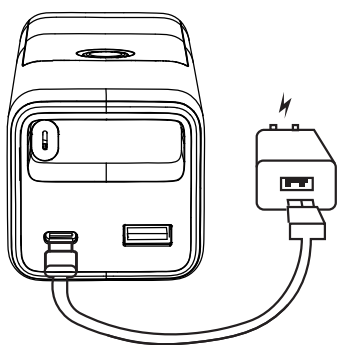


User Manual × 1

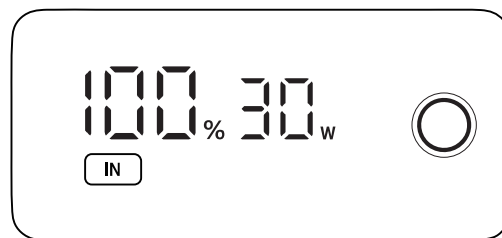
4. CHARGING




Fully charge the jump starter before using it for the first time. To charge, connect it to a PD30W USB charger with the charging cable.



While charging: (the input icon is on and the charging wattage will be displayed on the screen.)



Note:

- The jump starter cannot be used while it is charging.
- The USB charger is sold separately.
- The product will not charge when the temperature icon() is on.
- The jump starter will automatically switch off if left inactive for 15s after being fully charged.

Battery Information

To ensure optimal battery cell performance and enhance your overall experience we recommend storing the product within a temperature range of -10°C-45°C/ 32°F-113°F.

5. TURNING ON/OFF

ON

Long-press for 1.5 seconds to turn on.

The jump starter will automatically turn on in the cases below:

- 1.The device automatically powers on after the Battery Clamps is inserted into the jumper cable socket.
- 2.The device automatically powers on when the output port is connected to a charging device.

OFF

When the jump starter is turned on, long press 1.5 seconds to turn off.

The inflator will automatically turn off in the cases below:

- 1.After 15s of inactivity.
- 2.After 15s of inactivity after being fully charged.
- 3.Automatically shuts down 15s after removing the Battery Clamps.
- 4.Automatically shuts down 15s after the charging device is removed.
- 5.Automatically shuts down 10 minutes after connecting the Battery Clamps and inactivity.

6. HOW TO USE

① ATTACH CLAMPS

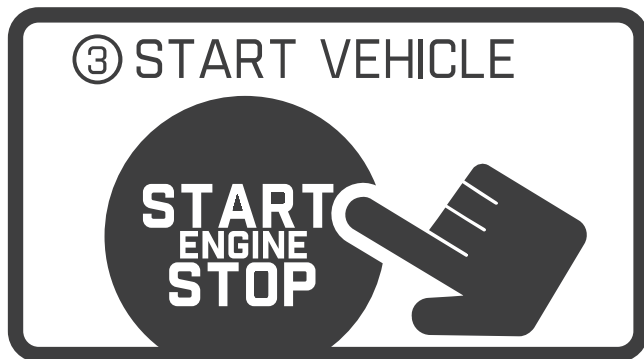


1. Insert the jump cable into the Jumper cable socket and connect the clamps to the car battery.
(Red to positive/Black to negative)

② READY GO

START

2. The screen on the clamps displays "START"
(WARNING: The device works normally only when displays "START")



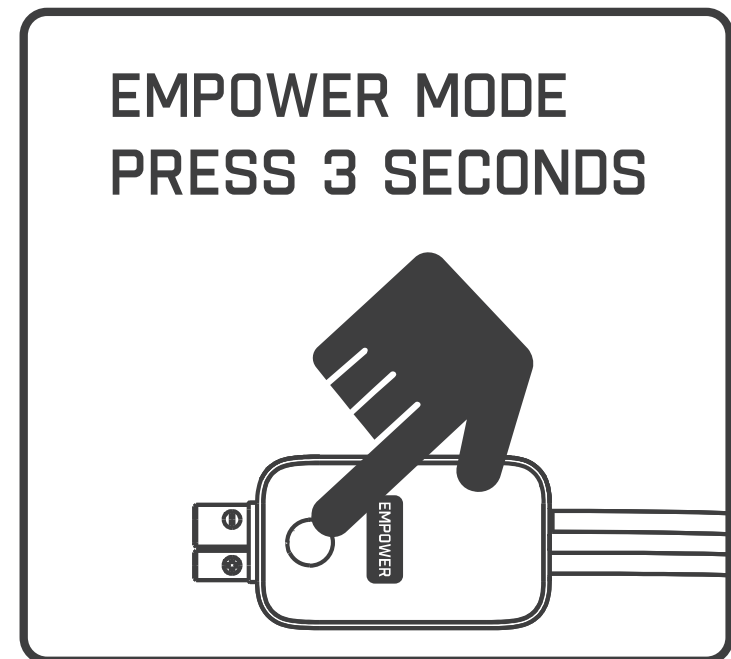
3. Start the car engine.

HOW TO USE THE EMPOWER MODE

The jump starter designed to jump start 12-Volt lead-acid batteries. If battery is too low, the empower icon on the clamp will light up. Press the empower button for 3s to activate empower mode.

WARNING:

Disable safety protection and manually force "EMPOWER MODE". Only for use when a battery voltage is too low to be detected.



7. POWER BANK FUNCTION

This jump starter can be used as a 30W power bank when it is not being charged or starting other devices. The battery needs to have a reasonable level of charge in order to work as a power bank.

8. LIGHT

Press the light button to turn the light on.

Press the light button to cycle through white light, red SOS, strobe light and OFF when the light is on.

9.SPECIFICATIONS

Model	Potent T10
Dimensions	187×56×54mm
Working Temperature	-10°C-45°C/14°F-113°F
Storage Temperature	-10°C-45°C/14°F-113°F
Charging Temperature	0°C-45°C/32°F-113°F
Battery Capacity	44.4Wh /14.8V
USB-C1 (Input & Output)	5V/3A, 9V/3A, 12V/2.5A, 15V/2A 30W MAX
USB-C2 (Input & Output)	5V/3A, 9V/3A, 12V/2.5A, 15V/2A 30W MAX
USB-A1 (Output)	5V2.4A 12W MAX
Charging Time	<2.5 hours (with PD 30W)

10. TROUBLESHOOTING

Problem	Solution
No response when pressing the power button	The voltage of the product is really low and triggers the low power protection to shut down the device. Plug the wall charger to recharge it.
Unit fails to jump-start	<ol style="list-style-type: none">1. Make sure the power switch is in the on position.2. Check that jump-starter is full charged. Recharge unit if necessary.3. Make sure a proper polarity cable connection has been established.
USB power port fails to power	<ol style="list-style-type: none">1. Make sure the USB Charging Port Power Button is in the on position.2. Check that Jump-Starter has a full charge. Recharge unit if necessary.

Problem	Solution
The red temperature icon on the host screen remains steadily lit or flashing.	high-temperature protection (>45°C) or discharging high-temperature protection (>50°C) is triggered, please allow the product to cool down before charging or discharging.
The blue temperature icon on the host screen remains steadily lit or flashing.	low-temperature protection (<0°C) or discharging low-temperature protection (< -10°C) is triggered, please allow the product to warm up before charging or discharging.
Only the button light on the clamp turns into a steady red light.	overcurrent or short-circuit protection is triggered, ignition will be disabled in this state. Unplug and reinsert the clamp to clear the alarm.
Only the button light on the clamp turns into a steady red light, and the red temperature icon on the host screen flashes.	high-temperature protection, ignition will be disabled in this state. The product can only be used again after returning to a reasonable operating temperature range (-10~50°C).
Press the power button to turn it on, the screen only displays "0%" and screen off.	The battery is depleted. Please recharge the host as soon as possible.

WARRANTY

This product is covered by a 12-month limited warranty for manufacturing defects.

929-693-6066 MON-FRI 9AM-5PM (ET)

www.fanttik.com

support@fanttik.com

METASEE LLC

12 GREENWAY PLZ STE 1161A HOUSTON,

TX 77046-1203

Made in China

