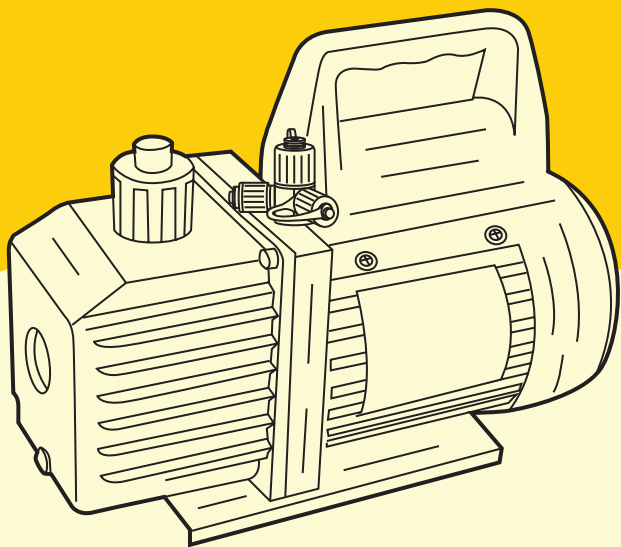


VIVOHOME

HOW-TO

USER MANUAL



VACUUM PUMP

Assembly is EASY!

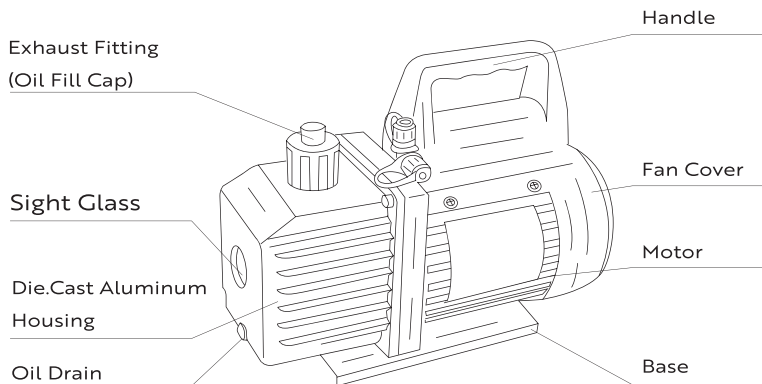
**WE WANT
YOU TO
ENJOY LIFE
AT HOME**

**GO TO THE PRODUCT LISTING PAGE FOR
AN INSTRUCTIONAL VIDEO!**

CONTENTS

Pump Components	1
Operating Manual	1
To Maintain Your High Vacuum Pump	3
Troubleshooting Guide	4
Technical Parameter	6
Exploded Drawing	8
Warranty	9

Pump Components



Operating Manual



1. Before using your vacuum pump

In all cases, motors are designed for operating voltages plus or minus 10% of the normal rating. Single-voltage motors are supplied fully connected and ready to operate.

- (1) Check to be sure the voltage and frequency at the outlet match the specifications on the pump motor decal. Check the ON-OFF switch to be sure it is in the OFF position before you plug the pump into an outlet. Remove and discard the exhaust cap from the end of the pump's handle.

- (2) The pump is shipped without oil in the reservoir. Before starting the pump, fill it with oil. Remove the exhaust fitting cap and add oil until oil just shows at the bottom of the sight glass. The approximate oil capacity of the pump is 180~800 ml (reference the technical data).
- (3) Replace the exhaust fitting cap and remove the cap from one of the inlet ports. Turn the motor switch to ON. When the pump runs smoothly, replace the cap on the inlet port. This may take from two to 30 seconds, depending on the ambient temperature. After the pump runs for approximately one minute, check the sight glass for the proper oil level. The level should be even with the sight glass oil level line. Add oil if necessary.

Note: When the pump is running, the oil level should be even with the line on the sight glass. Underfilling will result in poor vacuum performance. Overfilling can result in oil blowing from the exhaust.

2. To shut down your pump after use

To help prolong pump life and promote easy starting. Follow these procedures for the shutdown.

- (1) Close the manifold valve between the pump and the system.
- (2) Remove the hose from the pump inlet.
- (3) Cap the inlet port to prevent any contamination or loose particles from entering the port.

To Maintain Your High Vacuum Pump



1. Vacuum pump oil

The condition and type of oil used in any high vacuum pump are extremely important in determining the ultimate attainable vacuum. We recommend the use of High Vacuum Pump Oil. This oil has been specifically blended to maintain maximum viscosity at normal running temperatures and to improve cold weather starts.

2. Oil change procedure

- (1) Be sure the pump is warmed up.
- (2) Remove the OIL DRAIN cap. Drain the contaminated oil into a suitable container and dispose of it properly. Oil can be forced from the pump by opening the inlet and partially blocking the exhaust with a cloth while the pump is running. Do not operate the pump for more than 20 seconds using this method.
- (3) When the flow of oil has stopped, tilt the pump forward to drain any residual oil.
- (4) Replace the OIL DRAIN cap. Remove the exhaust fitting and fill the reservoir with new vacuum pump oil until the oil just shows at the bottom of the sight glass. The approximate oil capacity of the pump is 180–800 ml (reference the technical data).
- (5) Be sure the inlet ports are capped, then turn on the pump. Allow it to run for one minute then, check the oil level. If the oil is below the sight glass OIL LEVEL line, add oil slowly (with the pump running) until the oil reaches the OIL LEVEL line. Replace the exhaust fitting, making sure the inlet is capped and the drain cap is tight.

(6)a) If the oil is badly contaminated with sludge that forms when water is allowed to collect in the oil, you may need to remove the oil reservoir cover and wipe it out.

b) Another method of dealing with heavily contaminated oil is to force the oil from the pump reservoir. To do this, allow the pump to run until it is warmed up. While the pump is still running, remove the oil drain cap. Slightly restrict the exhaust. This will backpressure the oil reservoir and force the oil from it, resulting in more contamination. When the oil ceases to flow, turn off the pump.

Repeat this procedure as required until the contaminant is removed.

Replace the OIL DRAIN cap and refill the reservoir to the proper level with fresh pump oil.

SECTION D

Troubleshooting Guide



Your pump has been for dependable use and a long life. If something should go wrong, the following guide will help you get the pump back into service as quickly as possible.

If disassembly of the pump is required, please check your warranty. The warranty may be voided by misuse or customer tampering, which results in the pump being inoperable.

1. Failure to start

Check the line voltage. The pump needs to start at +10% line voltage (loaded) at 32°F. At extremes, switching between the start and run windings may occur.

2. Oil leakage

- (1) Be sure the oil is not a residual accumulation from spillage, etc.
- (2) If leakage exists, the module cover gasket or the shaft seal may need replacing. If leakage exists in the area of the oil drain plug, you may need to reseal the plug using a commercial pipe thread sealer.

3. Failure to pull a good vacuum

- (1) Be sure the vacuum gauge and all connections are in good condition and leak-free. You can confirm leakage by monitoring the vacuum with a thermistor gauge while applying vacuum pump oil at connections or suspected leak points. The vacuum will improve briefly while the oil seals the leak.
- (2) Be sure the pump oil is clean. A badly contaminated pump may require several oil flushes.
- (3) Be sure the oil is at the proper level. For maximum pump operation, the oil must be even with OIL LEVEL line on the sight glass when the pump is running. Do not overfill. Operating temperatures will cause the oil to expand, so it will appear at a higher level than when the pump is not running. To check the oil level, start the pump with the inlet capped. Check the oil level in the sight glass. Add oil if necessary.



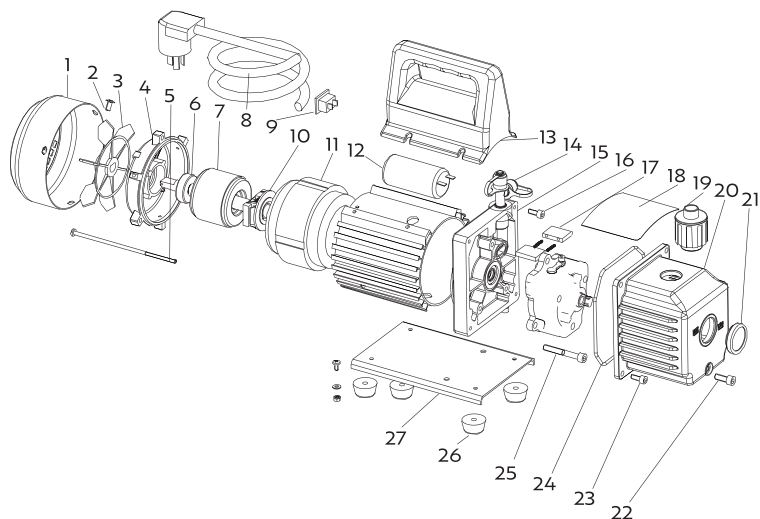
Single Stage Vacuum Pump			
Model		VPI25	VPI35
Voltage		110V~/60Hz	110V~/60Hz
Free Air Displacement	CFM	3.5	4
	L/min	98	114
Ultimate Partial Pressure	Pa	5	5
Vacuum Total Pressure	Micron	375	375
Motor		1/4	1/3
Intake Fitting		1/4"SAE & 1/2"Acme	
Oil Capacity(ml)		330	350
Dimensions(mm)		270*119*216	278*119*216
Net Weight(kg)		5.5	6

Single Stage Vacuum Pump				
Model		VPI45	VPI60	VPI80
Voltage		110V~/60Hz	110V~/60Hz	110V~/60Hz
Free Air Displacement	CFM	4.5	7.2	9.6
	L/min	128	198	270
Ultimate Partial Pressure	Pa	5	2	2
Vacuum Total Pressure	Micron	375	150	150
Motor		1/3	1/2	3/4
Intake Fitting		1/4"SAE & 1/2"Acme		
Oil Capacity(ml)		350	450	800
Dimensions(mm)		278*119*216	320*134*232	270*140*250
Net Weight(kg)		6.5	10	14

Dual Stage Vacuum Pump				
Model		VP215	VP225	VP235
Voltage		110V~/60Hz	110V~/60Hz	110V~/60Hz
Free Air Displacement	CFM	1.8	3	4
	L/min	50	84	114
Ultimate Partial Pressure	Pa	3×10^{-1}	3×10^{-1}	3×10^{-1}
Vacuum Total Pressure	Microns	22.5	22.5	22.5
Motor		1/4	1/3	1/3
Intake Fitting		1/4"SAE & 1/2"Acme		
Oil Capacity(ml)		180	280	360
Dimensions(mm)		270*119*216	270*119*216	320*134*232
Net Weight(kg)		6	7	8.8

Dual Stage Vacuum Pump					
Model		VP245	VP260	VP280	VP2100
Voltage		110V~/60Hz	110V~/60Hz	110V~/60Hz	110V~/60Hz
Free Air Displacement	CFM	5	7.2	9.6	14.4
	L/min	142	198	270	407
Ultimate Partial Pressure	Pa	3×10^{-1}	2×10^{-1}	2×10^{-1}	2×10^{-1}
Vacuum Total Pressure		22.5	15	15	15
Motor		1/2	3/4	1	1
Intake Fitting		1/4"SAE & 1/2"Acme	1/4"SAE & 1/2"Acme & 3/8"SAE		
Oil Capacity(ml)		500	500	600	700
Dimensions(mm)		320*134*232	320*134*232	370*140*250	390*140*250
Net Weight(kg)		9	10.7	15.5	16

Exploded Drawing



1	Fan cover	11	Motor stator	20	Die cast aluminum housing
2	Cross screw	12	Capacitor	21	Sight glass
3	Fan	13	Handle	22	Oil drain cap
4	Motor cover	14	Inlet fitting	23	Screw
5	Cross screw	15	Trestle	24	Seal
6	Bearing	16	Screw	25	Screen
7	Motor rotor	17	Rotary-vane	26	Rubber foot
8	Power supply cords	18	Cap board	27	Base
9	Power switch	19	Exhaust fitting		
10	Centrifugal switch				



The VIVOHOME warranty program is our commitment to you. We are committed to providing you with a high-quality product that meets your needs and expectations. To demonstrate our confidence in the durability and performance of our products, we offer the following warranty.

WARRANTY COVERAGE

This warranty program applies to any orders, purchases, receipts, or use of any products sold by VIVOHOME and is valid for a period of 1 year from the date of purchase. However, please note that this warranty period is only valid for the original order. If you receive a replacement order during the warranty period, it will not include a separate warranty period.

WARRANTY EXCLUSIONS

This warranty does not cover damage resulting from misuse, accident, unauthorized modification, or any other circumstances not directly related to the manufacturing and design of the product, including but not limited to:

- Parts lost during use.
- Normal wear and tear of products or parts.
- Incorrect installation (such as using the wrong voltage) or assembly.
- Exceeding the bearing capacity of the product.
- Use under extremely harsh conditions.

- Improper cleaning or maintenance.
- Damage caused by any reason other than the intended use of the product.
- Indirect loss or damage caused by the product.

HOW TO MAKE A WARRANTY CLAIM

If you find any defects that affect the use of the product or if the product stops working and cannot be repaired during the warranty period, please contact our customer service team at our email or via Amazon & app' s direct messaging service as soon as possible. Provide the following information to expedite the process:

- Order number
- Images and/or videos illustrating the issue
- A detailed description of the problem

VIVOHOME will provide technical support, replacement, refund, or other solutions based on the nature of the issue. If you wish to return the original package for any reason, please contact us for confirmation before proceeding. You can expect to receive a response within 48 hours.

Thank you for choosing VIVOHOME. We are committed to ensuring the quality and satisfaction of your purchase. If you have any questions or need assistance, please do not hesitate to contact our customer service team.

VIVOHOME

THANK
YOU!

NOTE:

To continuously improve its products, VIVOHOME reserves the right to modify this information without prior notification.

For any questions regarding assembly, please watch the video on the product page or contact our customer service. Our customer service will gladly assist you with any additional questions, comments, or concerns.

Thank you for using VIVOHOME products in your home!

Thank You for Purchasing from

VIVOHOME

Made in China