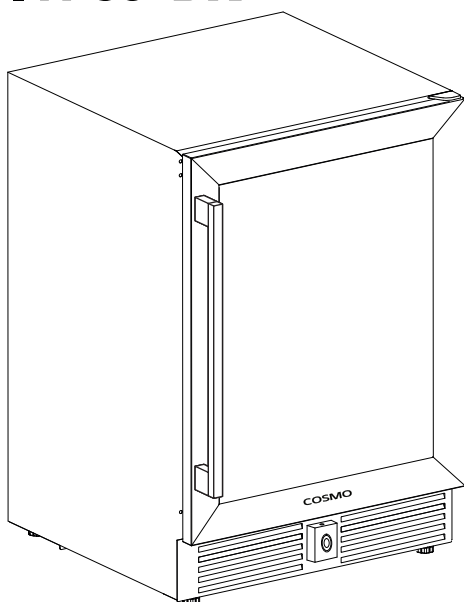




WINE COOLER

COS-24BIWCS

COS-24BIWCS-BK



52-BOTTLE WINE COOLER

USER & INSTALLATION MANUAL

IMPORTANT: READ AND SAVE THESE INSTRUCTIONS.
FOR RESIDENTIAL USE ONLY.

INSTALLER: PLEASE LEAVE THESE INSTRUCTIONS WITH THIS UNIT FOR
THE OWNER.

OWNER: PLEASE RETAIN THESE INSTRUCTIONS FOR FUTURE
REFERENCE.

Rev.25.01

THANK YOU FOR YOUR PURCHASE

Thank you for your purchase. We know that you have many brands and products to choose from and we are honored to know that you have decided to take one of our products into your home and hope that you enjoy it.

COSMO Appliances are designed according to the strictest safety and performance standard for the North American market. We follow the most advanced manufacturing philosophy. Each appliance leaves the factory after thorough quality inspection and testing. Our distributors and our service partners are ready to answer any questions you may have regarding how to install, use and care for your products. We hope that this manual will help you learn to use the product in the safest and most effective manner.

Before using this product, please read through this manual carefully. Keep this user manual in a safe place for future reference. Please ensure that other persons using this product are familiar with these instructions as well.

If you have any questions or concerns, please contact the dealer from whom you purchased the product, or contact our Customer Support at:

1-888-784-3108

Reach us online at:

www.cosmoappliances.com

TABLE OF CONTENTS

Wine Cooler Safety	4
Important Safety Instructions	5
Before Loading & Plugging In	7
Recommendations	8
Specifications	9
Installation Instructions	10
Defrosting / Condensation	12
Adjusting Wooden Shelves	13
Reversibility of the Door	14
Turning On Your Wine Cooler	17
Display Operation Instructions	19
Wine Serving Temperature Chart	20
Important Information About Temperature	20
Cleaning Your Wine Cooler	20
Power Failures	21
Troubleshooting Guide	21
Warranty and Service	23

WINE COOLER SAFETY

READ ALL INSTRUCTIONS BEFORE USING THE APPLIANCE

Your safety and the safety of others are very important.

We have provided many important safety messages in this manual and on your appliance. Always read and obey all safety messages.



This is the safety alert symbol.

This symbol alerts you to potential hazards that can kill or hurt you and others.

All safety messages will follow the safety alert symbol and either the word "WARNING" or "CAUTION." These words mean:



You can be killed or seriously injured if you don't follow instructions.



A potentially hazardous situation which, if not avoided, could result in minor or moderate injury.

All safety messages will tell you what the potential hazard is, tell you how to reduce the chance of injury, and tell you what can happen if the instructions are not followed.

California Proposition 65 Warning

 **WARNING:**

Cancer and Reproductive Harm - www.P65Warnings.ca.gov

IMPORTANT SAFETY INSTRUCTIONS

WARNING

To reduce the risk of fire, explosion, electric shock, or injury when using your wine cooler, follow these basic safety precautions:

- COSMO offers no guarantee for our wine cooler if it is being used for any purpose other than that for which it was specifically designed. We cannot be held responsible for any error in this manual is not responsible or liable for any spoil-age or damage to wines or any other contents incidental or consequential to possible defects of the wine cooler.
 - Warranty applies to the wine cooler only and not to the content of the COSMO wine cooler.
 - This appliance can be used by children aged from 8 years and above and per-sons with reduced physical, sensory or mental capabilities or lack of experience and knowledge if they have been given supervision or instruction concerning use of the appliance in a safe way and understand the hazards involved. Children shall not play with the appliance. Cleaning and user maintenance shall not be made by children without supervision.
 - Children should be supervised to ensure that they do not play with the appliance.
- Please don't put acidic items, flammable and explosive goods into wine cooler.
 - THIS APPLIANCE IS INTENDED TO BE USED IN HOUSEHOLD AND SIMILAR APPLICATIONS SUCH AS:
 1. Staff kitchen areas in shops, offices and other working environments;
 2. Farm houses and by clients in hotels, motels and other residential type environments
 3. Bed and breakfast type environments
 4. Catering and similar non-retail applications.

DANGER

RISK OF CHILD ENTRAPMENT. BEFORE YOU THROW AWAY YOUR OLD WINE CHILLER:

- Take off the doors.
- Leave the shelves in place so that children may not easily climb inside.
- When disposing of the appliance, do so only at an authorized waste disposal center.

READ AND SAVE THESE INSTRUCTIONS

IMPORTANT SAFETY INSTRUCTIONS

WARNING

To reduce the risk of injury when using your refrigerator, follow these basic safety precautions:

For your safety observe the following recommendations:

- This appliance contains a small quantity of R600a refrigerant which is environmentally friendly, but flammable. It does not damage the ozone layer, nor does it increase the greenhouse effect.
- During transportation and installation, ensure that the tubing of the refrigerant circuit is not damaged.
- Avoid using or manipulating sharp objects near by the appliances.
- Leaking refrigerant can ignite and may damage the eyes.
- In the event any damage does occur, avoid exposure to open fires and any device which creates a spark. Disconnect the appliance from the main power.
- Thoroughly ventilate the room in which the appliance is located for several minutes.
- Notify Customer Service for necessary action and advice.
- The room for installing the appliance must be at least 35 cubic Foot per 8 grams of refrigerant. The refrigerant quantity contained in this appliance is noted on the Rating Plate of the appliance.
- It is hazardous for anyone other than an Authorized Service Person to carry out servicing or repairs to this appliance.
- Take off the doors.
- Leave the shelves in place so that children may not easily climb inside.
- When disposing of the appliance, do so only at an authorized waste disposal center.
- Keep ventilation openings in the appliance enclosure or in the built-in structure clear of obstruction.
- Do not damage the refrigerant circuit.
- If you do not use the machine for a long time, please unplug the power plug from the socket or switch off the power supply.
- Do not use extension cords or ungrounded (two prong) adapters.
- If the supply cord is damaged, it must be replaced by the manufacturer, its service agent or similar qualified person in order to avoid hazard.
- Do not use mechanical devices or other means to accelerate the defrosting process, other than those recommended by the manufacturer.
- Do not use electrical appliances inside the food storage compartments of the appliance, unless they are of the type recommended by the manufacturer.
- This appliance is not intended for use by persons (including children) with reduced Physical, sensory or mental capabilities, or lack of experience and knowledge, unless they have been given supervision or instruction concerning use of the appliance by a person responsible for their safety.
- Children should be supervised to ensure that they do not play with the appliance.

READ AND SAVE THESE INSTRUCTIONS

BEFORE LOADING & PLUGGING IN

Allow 24 hours before switching on the wine cooler.
During this time we recommend that you leave the door open to clear any residual odors.

Important: All models without front venting (air opening) are strictly for free standing only. (See technical chart)

RECOMMENDATIONS:

The location you have selected for your wine cooler should:

- Be unencumbered and well ventilated.
- Be well away from any heat source and direct sunlight.
- Not be too damp (laundry, pantry, bathroom etc.).
- Have a flat floor.
- Have a standard and reliable electricity supply (standard socket to country standards, linked to the ground), it is NOT recommended to use a multi-socket or extension lead.
- Have a surge protector fitted to the electrical outlet.
- Away from the microwave oven. Certain microwave ovens do not have wave interference shield. When placed within 1 meter vicinity of the wine cabinet, they may affect the operation of the wine cabinet.

COSMO wine cooler should be placed where the ambient temperature is proper. If the temperature is above or below this range, it will affect the performance of the cooler. Placing in cold or hot temperature conditions may cause cooler's temperatures fluctuating, and it will not reach the ideal one.

GROUNDING INSTRUCTIONS:

COSMO wine cooler must be grounded in case of wire leakage. Grounding reduces the risk of electrical shock. The wine cooler is equipped with a power cord having a grounding wire and plug. The wine cooler plug must be plugged into a properly affixed and grounded electrical outlet.

Note: In locations where there is frequent lightning, it is advisable to use surge protectors. Improper use of the grounding plug can result in the risk of electric shock. Consult a qualified electrician or service person if the grounding instructions are not completely understood.

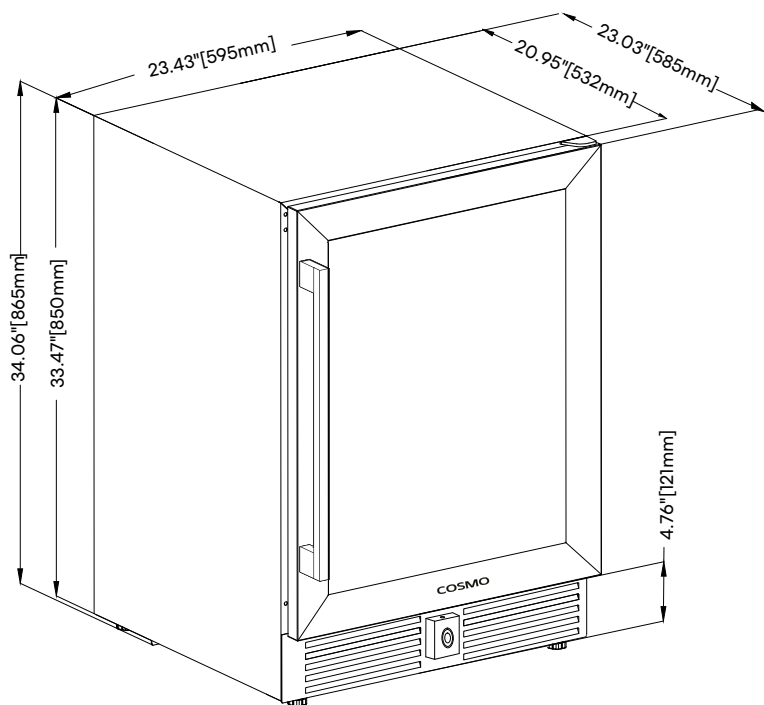
If the supply cord is damaged, it must be replaced by a qualified person in order to avoid electrical hazard.

RECOMMENDATIONS

- COSMO wine coolers are front venting but are not designed to be fully integrated behind a joinery door.
- The units draws air from right of ventilation frame 110V from the rear and expel through left of ventilation frame under the front door.
- COSMO wine coolers have a power switch located on the control panel so power point location is not critical.
- The power cord is (78.5 "/ 2.0m) in length and is fixed on the right side at the back when looking from front of cabinet.
- As with most appliances of today, the wine cooler has sensitive electronic components which are susceptible to damage through lightning and electricity supply faults. It is therefore advised to use a power surge protector to avoid problems of this nature.
- Air vent on door must be provided for built-in wine coolers when a wood door installed.
- In Hot climate zone, an air vent or grid, with a minimum ventilation size of 7" x 1.57" MUST be cut out at the rear top of the back partitioning or at the top of either side of the partitioning, allowing cool fresh air full access to flow into the 1 inch gap located at the rear of the cabinet. This air vent or grid must not be opened on the same side as other appliances such as ovens or an area that is sealed and without access to fresh cool air.

Failing to comply with the above specifications could result in WARRANTY void.

SPECIFICATIONS



DOOR TYPE:	Stainless Steel Door Frame
ELECTRIC SUPPLY:	110V / 60Hz
NET CAPACITY:	147L
CABINET SIZE (WXDXH):	23.4" x 25.1" x 34.1"
NET WEIGHT:	95 lbs

INSTALLATION INSTRUCTIONS

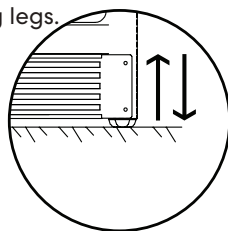
Please follow the installation diagram when installing built-in wine coolers. No less than the minimum installation dimension, or it will affect the venting of cooler.

Unpacking your Wine Cooler

1. Remove all packaging material. This includes the base and all adhesive tape holding the wine cooler accessories.
2. Inspect and remove any packing, tape or printed materials.
3. Before connecting the wine cooler to power source, let it stand upright for approximately 24 hours. This will reduce the possibility of a malfunction in the cooling system from handling during transportation. The internal liquid coolant needs to properly rest before use.

Leveling your Wine Cooler

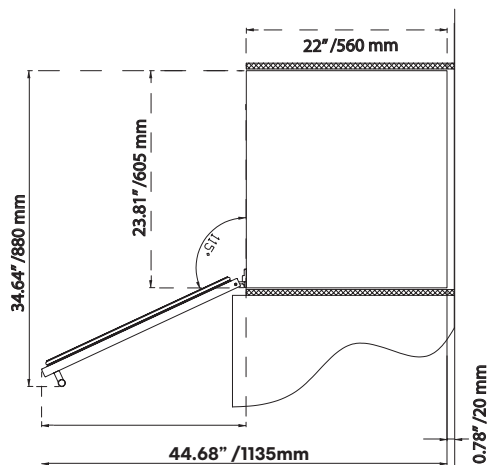
Your COSMO wine cooler has 38mm adjustable leveling legs. After properly placing your wine cooler in its final position, you can level your wine cooler if there is uneven flooring. Leveling legs can be adjusted by turning them clockwise to raise your wine cooler or by turning them counterclockwise to lower your wine cooler.



Install the legs by screwing in the legs into the preset screw holes.

(Please note that the leg on the hinge is designed to be shorter.)

TOP VIEW



Install Limitations

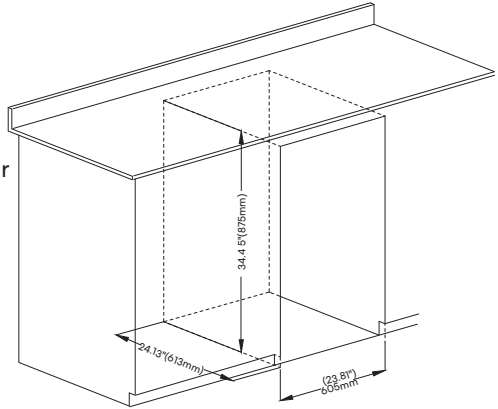
Do not install your wine cooler in any location not properly insulated or heated e.g. garage etc.

Select a suitable location for the wine cooler on a hard even surface away from direct sunlight or heat source e.g. radiators, baseboard heaters, cooking appliances etc. Any surface unevenness should be corrected with the leveling legs located on the front and rear bottom corners of the wine cooler. Avoid placing unit where there may be electrical interference.

Note: To minimize the risk of rusting, leakage and insulation damage, avoid placing the unit in a place where heavy moisture is present. Under no circumstances spill or directly apply water onto or into the unit.

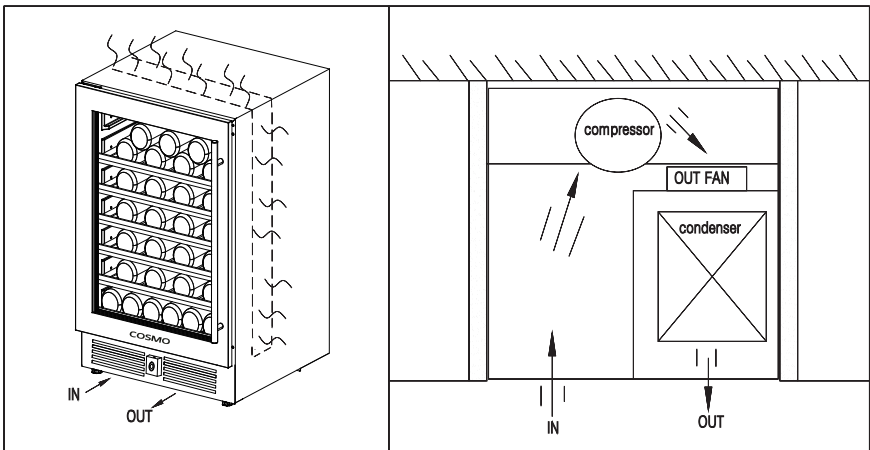
Proper Air Circulation

To assure your wine cooler works at the maximum efficiency it was designed for, you should install it in a location where there is proper air circulation and electrical connections.



Minimum space required for COS-24BIWCS Model

Allow enough space in the front of the unit to open the door to 120°.



COS-24BIWCS Model uses side anti-dew tube and Independent cooling system

DEFROSTING / CONDENSATION

Your wine cooler is designed with “Auto-cycle” defrost system. During “Off-cycle” the refrigerated surfaces of the wine cooler defrost automatically. Defrost water from the wine cooler storage compartment drains automatically and part of it goes into a drainage container, which is located at the back of the wine cooler next to the compressor. The heat is transferred from the compressor and evaporates any condensation that has collected in the pan. Part of the remaining water is collected within the wine cooler for humidity purposes.

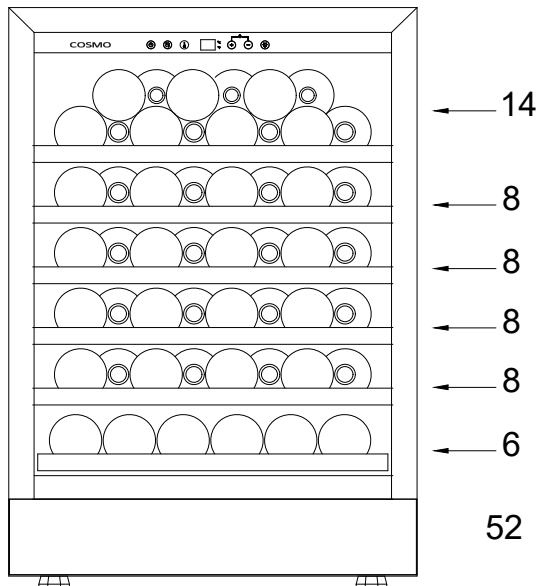
This system enables the creation of the correct humidity level inside your wine cooler required by the natural cork to maintain a long lasting seal.

Notes: The water collected by condensation, is therefore recycled. Under extremely dry environmental conditions, you may have to add some water into the water container provided with your wine cooler.

All units are equipped with a double glazed glass door that has a third internal acrylic layer to minimize condensation on the glass door.

The wine cooler is not totally sealed; fresh air admission is permitted through the drainpipe. Air is circulated through the cooler by means of a fan/fans and the hollow shelves.

Notes: During the refrigerating cycle, heat is given off and disperses through the external surfaces of the wine cooler. Avoid touching the surfaces during those cycles



ADJUSTING WOODEN SHELVES

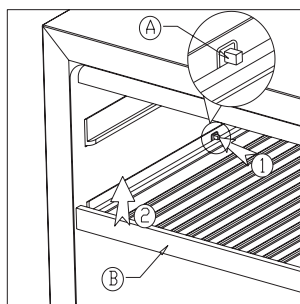
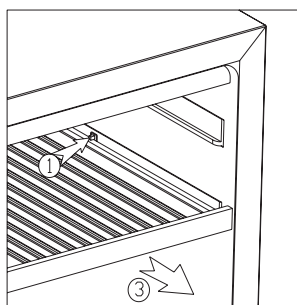
Adjusting and removing the shelves

For easy access to the storage content, you must pull the shelves approximately 1/3 of its depth out of the rail compartment. These wine cabinets, however, are designed with a notch on each side of the shelf tracks to prevent bottles from falling.

When removing any of these shelves out of the rail compartment, tilt the shelf as per the diagram and simply pull out, or push in the shelf until it sits on the support brackets securely.

Shelf installation and removal instruction:

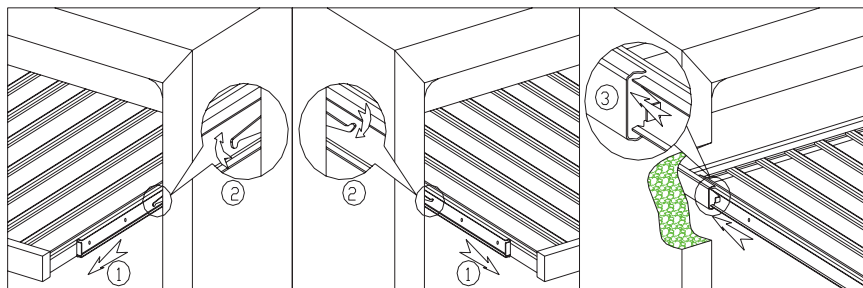
According to below instruction drawing to press one side of shelf limit pin 1, extract and remove the shelf from the other side of support bracket 2, then take off the shelf following the arrow mark 3, Shelf installation will be opposite with shelf removal.



1 "A" is shelf limit pin

2 "B" is shelf Sliding wooden shelf installation and taking instruction:

Shelf taking: According to below instruction drawing to pull out the shelf to support bracket 1, press two sides of sliding roller buckles and pull out the shelf following the arrow mark 2.



REVERSIBILITY OF THE DOOR

Warning:

To avoid accidents during the process of changing the door, we recommend that you get assistance. The glass door is heavy and may cause injury if dropped.

- Depending on to the model and the type of handle your wine cabinet is equipped with, you may have to rotate the door through 180 degrees.
- Depending on the type of handle your wine cabinet is equipped with, the door may not be reversible or may require that a left or right opening door be ordered to change the opening side.

Steps to Reverse the Door

1. Remove the Bottom

Unscrew the two screws ① holding the bottom hinge holder ② in place (see **Figure 1**).

Hold the glass door securely as you remove the screws to prevent it from falling.

2. Remove the Metal Cap and Door:

Carefully remove the metal cap located on the top middle part of the door, which is used for locking the door.

Gently pull the glass door downward to detach it from the top hinge. Place the door on a soft, padded surface to prevent any damage.

3. Remove the Bottom and Top Hinge:

Remove the hinge holder ③ and bottom hinge ⑥ as well as the upper hinge ④ from the vent grill (see **Figures 1 and 2**).

Make sure to keep the screws and components in a safe place for reassembly.

4. Remove the Black Screw/Hole Plugs:

Use a flat-head screwdriver to gently remove the Screw/Hole Plugs on the top and bottom left of the unit.

Place the new plugs given in the accessory bag over the screw holes on the right-hand side where the door was installed prior to cover up the holes.

5. Install the Door on the Left Side:

After unscrewing the upper hinge ④ and bottom hinge ⑥ from the right-hand side of the cabinet, attach them to the left-hand side ⑦ and ⑧. To do this, place the door onto the wine cooler's top hinge on the left-hand side. Align the bottom hinge assembly with the designated position on the left side and securely screw it in place.

Ensure the door is level before fully tightening the screws (see **Figures 3 and 4**).

6. Installing the Door Switch Press Plate and Metal Cap:

After completing all the previous steps, locate the door switch press plate, which is currently positioned at the top middle part of the door. Carefully unscrew the press plate and relocate it to the bottom of the door. Secure it firmly by tightening the screws.

Then, take the metal cap that was removed earlier and attach it to the new top middle part of the door to cover the hole. Ensure it is properly secured.

Important Note: This step is crucial for the door switch to accurately detect whether the door is open or closed after the hinge reversal. Skipping this step may result in the door alarm malfunctioning.

Figure 1

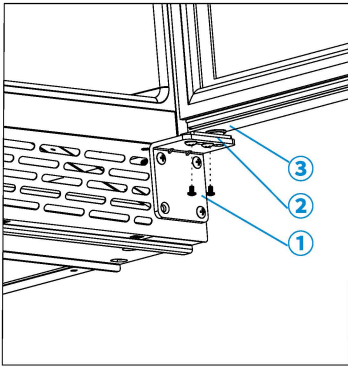


Figure 2

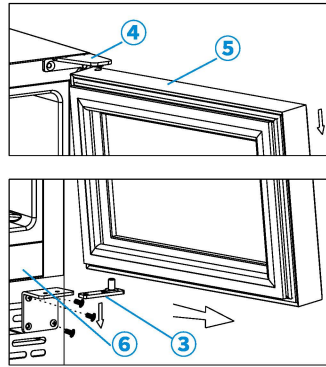


Figure 3

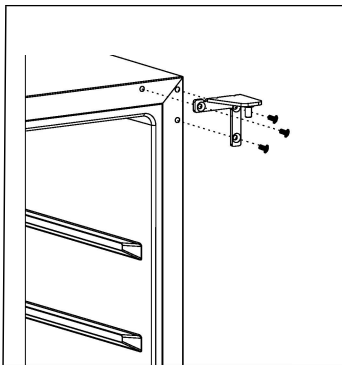
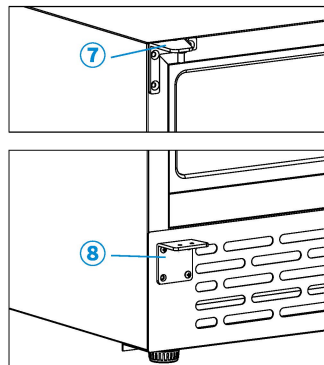


Figure 4



Handle Installation Method

1. Take the handle out of the cabinet and remove the gasket on the inner side of the door to access the screws already attached to the door.
2. Align the handle with the screws and tighten them securely using a Phillips screwdriver.
3. Press the gasket back into place to complete the installation.

OPERATION ANOMALIES

Ensure that there is power to the electrical supply plug by connecting another electrical appliance to it. Check fuse, if any. Make sure that the door is closed properly.

If your wine cooler appears to be malfunctioning, unplug it and contact your after sales service. Any intervention on the cold circuit should be performed by a refrigeration technician who should carry out an inspection of the circuit sealing system. Similarly, any intervention on the electrical circuit should be performed by a qualified electrician

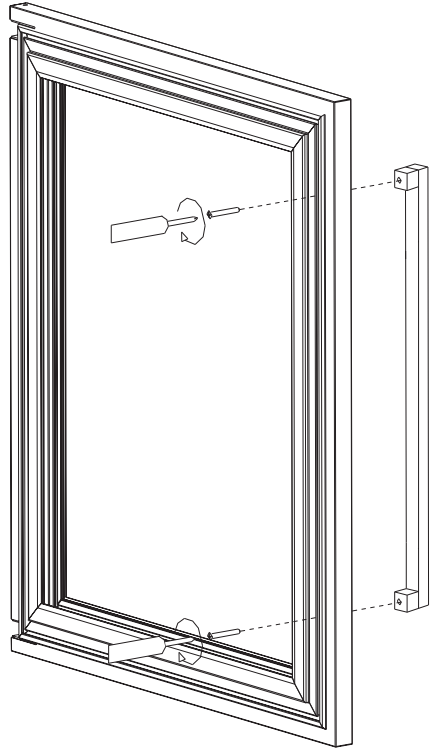
NOTES:

Any intervention performed by a non-authorized technician will lead to the warranty being considered as null and void.

DOOR LOCK:

Your unit is provided with a lock and key combination. The keys are located inside the plastic bag that contains the Owner's Manual. Insert the key into the lock and turn it to unlock the door.

To lock the door, insert the key into the lock and turn it the opposite direction, making sure metal pin is engaged completely. Remove the key and place it in a secure place for safekeeping.



TURNING ON YOUR WINE COOLER

Plug in and switch on the cooler. When you use the wine cooler for the first time (or restart the wine cooler after having it shut off for a long time), there will be a few degrees variance between the temperature you have selected and the one indicated on the LED readout. This is normal and it is due to the length of the activation time. Once the wine cooler is running for a few hours everything will stabilize.

IMPORTANT:

If the unit is unplugged, power is lost, or turned off, wait 3 to 5 minutes before restarting the unit. The wine cooler will not start if you attempt to restart before this time delay.

Operating Noises:

To reach the desired temperature settings, Our wine coolers, like all wine coolers operating with compressors and fans, may produce the following types of noises. These noises are normal and may occur as follows:

- 1 - Gurgling sound -** caused by the refrigerant flowing through the appliance's coils.
- 2 - Cracking/popping sounds -** resulting from the contraction and expansion of the refrigerant gas to produce cold.
- 3 - Fan operating sound -** to circulate the air within the wine cooler.

An individual's perception of noise is directly linked to the environment in which the wine cooler is located, as well the specific type of models. Our wine coolers are in line with international standards for such appliance. We will always do its utmost to satisfy its customers but will not retake possession of the goods due to complaints based on normal operating noise occurrences.

Loading Your Wine Cooler:

You may load your wine bottles in single or double rows while taking note of the following:

- If you do not have enough bottles to fill your wine cooler, it is better to distribute the load throughout the wine cooler so as to avoid "all on top" or "all below" type loads.
- Do remove or relocate adjustable wooden shelves to accommodate larger type of bottles or increase the capacity of the cooler by stacking the bottles up when necessary. (See removing shelves)
- Keep small gap between the walls and the bottles to allow air circulation. Like an underground cooler air circulation is important to prevent mold and for a better homogeneous temperature within the cooler.

WARNING

- Do not over load your wine cooler to facilitate air circulation.
- Do not stack more than 1.5 rows of standard 0.75L bottles per shelves to facilitate air circulation
- Avoid obstructing the internal fans (located inside on the back panel of the wine cooler).
- Do not slide the shelves outwards beyond the fixed position to prevent the bottles from falling.
- Do not pull out more than one loaded shelf at a time as this may cause the wine cooler to tilt forward.
- Do not cover the wooden shelves with alloy foil or other materials, as it will obstruct air circulation.
- Do not move your wine cooler while it is loaded with wines. This might distort the body of the wine cooler and cause back injury.

Types Of Regulation

Please note that depending on the loading and settings chosen it takes about 24 hours for the wine cooler to see the temperature stabilizing.

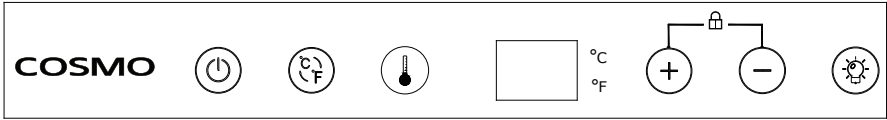
During this time LED seems to move erratically in particular. It is normal and this process occurs whenever the setting is modified and/or whenever a large amount of bottles are added to the cooler.









Temperature Settings:

- The LED displays by default the actual internal air temperature.
- The temperature of the power, before all Settings will be resumed after the electricity to power the preset temperature
- The electrical board of all models comes with memory function.
- It is important to understand that there is a difference between the air temperature inside the wine cooler and the actual temperature of the wine.
- You will need to wait approximately 12 hours before noticing the effects of temperature adjustment due to the critical mass within a full wine cooler.

Once the temperature is set, it is strongly advised not to toy with it or adjust frequently. The thermostat will maintain the temperature inside the wine cooler within a +/- (2.5°C / 36.5°F) range. But the thermal inertia of the wine and the glass is such that within this temperature range, the actual temperature of the wine will only fluctuate (0.5°C to 1°C)/(33 to 34°F)

DISPLAY OPERATION INSTRUCTIONS



- After the unit is power on, press  for 3 seconds to turn ON or OFF the unit.
- °C/°F switch: Press  button to change the temperature display between Celsius and Fahrenheit.
- Press  before adjust temperature. When press it first time, the display flashes and shows the setting temperature. After 5 seconds it shows the measured interior temperature. Press  to increase the setting temperature and press  to decrease the setting temperature.
- 2-digit LED display to show setting temperature or actual interior temperature.
- Press  to turn on or off. When open door, the light will be switched on automatically.
- If there is no any operation with digital control for 3 minutes, it will be locked automatically.
- Press  and  in the same time for 3 seconds to unlock.

Setting The Temperature Controls

- You can set the temperature as you desire by pushing the “+” or “-” button. When you push the two buttons for the first time, the LED readout will show the original temperature set at previous time.
- The temperature that you desire to set will increase 1°C if you push the “+” button once, on the contrary the temperature will decrease 1°C if you push the “-” button once.
- To view the “set” temperature. (anytime) press and hold the corresponding button for approximately 5 seconds, the “set” temperature will temporarily “flash” in the LED display for 5 seconds.

The temperature setting can be adjusted from 5°C to 20°C.
The temperature preset at the factory is 12°C.

Attention

- If the unit is unplugged, power lost, or turned off, you must wait 3 to 5 minutes before restart the unit. If first time use or longer absence of using, the temperature will difference between setting and LED display temperature. After running a period, the temperature will be reverting back.

WINE SERVING TEMPERATURE CHART

All wines mature at the same temperature, which is a constant temperature set between 12°C to 14°C (54 to 57°F). The below chart is an indicative temperature chart to indicate the best temperature for drinking purposes.

Champagne NV, Sparkling, Spumante	6°C	43°F
Dry White Semillon, Sauvignon Blanc	8°C	46°F
Champagne Vintage	10°C	50°F
Dry White Chardonnay	10°C	50°F
Dry White Gewürztraminer, Riesling, Pinot Grigio	10°C	50°F
Sweet White Sauternes, Barsac, Montbazillac, Ice Wine, Late Harvest	10°C	50°F
Beaujolais	13°C	55°F
Sweet White Vintage: Sauternes	14°C	57°F
White Vintage Chardonnay	14°C	57°F
Red Pinot Noir	16°C	61°F
Red Grenache, Syrah	16°C	61°F
Red Vintage Pinot Noir	18°C	64°F
Cabernet & Merlot: French, Australian, New Zealand	20°C	68°F
Chilean, Italian, Spanish, Californian, Argentinean, Vintage Bordeaux (Room temperature not exceeding)	20°C	68°F

IMPORTANT INFORMATION ABOUT TEMPERATURE

Your wine cooler has been designed to guarantee optimum conditions for storing and/or serving your wines. Fine wines require long and gentle developments and need specific conditions in which to reach their full potential.

All wines mature at the same temperature, which is a constant temperature set between 12°C to 14°C (54 to 57°F). Only the temperature of "dégustation" (wine appreciation) varies according to the type of wines (see "Wine Serving Temperature Chart" above). This being said and as it is for natural coolers used by wine producers for long period of storage, it is not the exact temperature that is important, but its consistency. In other words, as long as the temperature of your wine cooler is constant between (12°C to 14°C) (54 to 57°F) your wines will be stored in perfect conditions.

Not all wines will improve over the years. Some should be consumed at an early stage (2 to 3 years) while others have tremendous aging capability (50 and over). All wines have a peak in maturity. Do check with your wine merchant to get the relevant information.

CLEANING YOUR WINE COOLER

IMPORTANT: Always unplug the unit before cleaning or performing maintenance. Never use harsh cleansers or scouring pads to clean any part of the unit. Turn off the power, unplug the appliance, and remove all items including shelves. Wash the inside surfaces with a warm water and baking soda solution. The solution should be about 2 tablespoons of baking soda to a quart of water. Wash the shelves with a mild detergent solution.

Wring excess water out of the sponge or cloth before cleaning control panels or any electrical parts. Wash the outside cabinet with warm water and mild liquid detergent. Rinse well and wipe dry with a clean soft cloth

POWER FAILURES

In the event of a power interruption, all previous temperature settings are automatically preservation and it will revert to a preset temperature setting. (See preset chart)

Most power failures are corrected within a short period of time. An hour or two's loss of power will not affect wine cooler's temperatures. To avoid sudden change of temperature while the power is off, you should avoid opening the door. For longer period of power failure, do take steps to protect your wine.

Irrespective of the cause, if you notice either abnormal temperature or humidity levels inside your wine cooler be reassured that only long and frequent exposure to these abnormal conditions can cause a detrimental effect on your wines.

TROUBLESHOOTING GUIDE

Common problems may easily be solved, saving you the cost of a possible service call. Please read carefully the instruction manual and revert to troubleshooting guide chart.

PROBLEM	POSSIBLE CAUSE
Wine cooler does not operate.	Not plugged in.
	The appliance is turned off.
	The circuit breaker tripped or the fuse is broken.
Wine cooler is not cold enough.	Check the temperature control setting.
	External environment may require a higher setting.
	The door is opened too often.
	The door is not closed completely.
Turns on and off frequently.	The door gasket does not seal properly.
	The room temperature is hotter than normal.
	A large amount of contents has been added to the Wine cooler.
	The door is opened too often.
	The door is not closed completely.
	The temperature control is not set correctly.
The door gasket does not seal properly.	

The light does not work.	Not plugged in.
	The circuit breaker tripped or a blown fuse.
	The bulb is out of order.
	The light button is "OFF".
Vibrations.	Check to assure that the Wine cooler is level.
The Wine cooler seems to make too much noise.	The rattling noise may come from the flow of the refrigerant, which is normal.
	As each cycle ends, you may hear gurgling sounds caused by the flow of refrigerant in your Wine cooler.
	Contraction and expansion of the inside walls may cause popping and crackling noises.
	The Wine cooler is not level.
The door will not close properly.	
	The door was reversed and not properly installed.
	The gasket is faulty. (magnet or rubber is spoiled)
	The shelves are out of position.

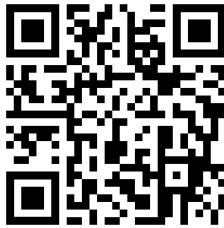
LIMITED WARRANTY

WARRANTY AND SERVICE

TO RECEIVE WARRANTY SERVICE, YOUR PRODUCT MUST BE REGISTERED.
TO REGISTER AND REVIEW FULL WARRANTY DETAILS, VISIT:

WWW.COSMOAPPLIANCES.COM/WARRANTY

SCAN TO REGISTER



CUSTOMER SUPPORT

TO CHAT WITH US LIVE FOR ASSISTANCE, VISIT:

WWW.COSMOAPPLIANCES.COM/CHAT

SCAN TO CHAT



IMPORTANT

Do Not Return This Product To The Store

If you have a problem with this product, please contact COSMO Customer Support at

+1 (888) 784-3108

DATED PROOF OF PURCHASE, MODEL #, AND SERIAL # REQUIRED FOR WARRANTY SERVICE.

IMPORTANT

Ne pas Réexpédier ce Produit au Magasin

Pour tout problème concernant ce produit, veuillez contacter le service des consommateurs Cosmo Customer Support au

+1 (888) 784-3108

UNE PREUVE D'ACHAT DATEE EST REQUISE POUR BENEFICIER DE LA GARANTIE.

IMPORTANTE

No regrese este producto a la tienda

Si tiene algún problema con este producto, por favor contacte el ayuda al cliente COSMO al

+1 (888) 784-3108

(Válido solo en E.U.A.)

NECESITA UNA PRUEBA DE DE COMPRA FECHADA, NÚMERO DE MODELO Y DE SERIE PARA EL SERVICIO DE LA GARANTÍA.



Correct disposal of this product:

This marking indicates that this appliance should not be disposed with other household wastes. To prevent possible harm to the environment or human health from uncontrolled waste disposal, recycle it responsibly to promote the sustainable reuse of material resources.



MEMO

A series of horizontal dashed lines for writing.

MEMO

A series of horizontal dashed lines for writing.

MEMO

A series of horizontal dashed lines for writing.



APPLIANCES

Cosmo is constantly making efforts to improve the quality and performance of our products, so we may make changes to our appliances without updating this manual.

Electronic version of this manual is available at:
www.cosmoappliances.com