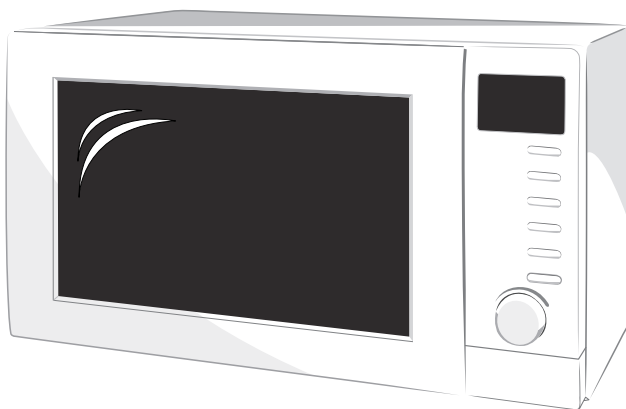


Microwave Oven

Instruction manual

EN



SENCOR®

SMW 3817D

Please read these instructions carefully before installing and operating the oven. This manual retain for future reference.

CONTENTS

SAFETY MEASURES TO PREVENT POSSIBLE RISKS OF EXPOSURE TO MICROWAVE ENERGY	.2
TECHNICAL SPECIFICATIONS	.2
BEFORE YOU CALL FOR SERVICE	.3
INSTALLATION	.3
GROUNDING INSTRUCTIONS	.3
RADIO INTERFERENCE	.3
IMPORTANT SAFETY INSTRUCTIONS	.4
MICROWAVE COOKING PRINCIPLES	.4
KITCHENWARE GUIDE	.5
DESCRIPTION	.5
CONTROL PANEL	.6
INSTRUCTIONS FOR MICROWAVE OVEN USE	.7
CLEANING AND CARE	.9
DISPOSAL OF USED ELECTRICAL AND ELECTRONIC EQUIPMENTS	.10

SAFETY MEASURES TO PREVENT THE POSSIBLE RISK OF EXPOSURE TO MICROWAVE ENERGY

- Do not attempt to operate the microwave oven with the door open - you could expose yourself to harmful microwaves. It is important not to defect or tamper with the safety interlocks.
- Do not place any object between the oven front part and the door or allow soil or cleaner residue to accumulate on sealing surfaces.
- Do not operate the oven if it is damaged. It is particularly important to close the oven door properly in order to avoid damaging the following parts:
 - door (bent),
 - hinges and latches (broken or loosened),
 - door seals and other parts
- The microwave oven may only be adjusted or repaired by a qualified service agent.

TECHNICAL SPECIFICATIONS

Power Consumption:	230 - 240 V
Rated frequency:	50 Hz
Rated power input:	1200 W
Microwave Output:	700 W
Operation Frequency:	2 450 MHz
Noise level:	57 dB (A)
Outside dimensions:	452 mm (w) x 334 mm (d) x 262 mm (h)
Inner dimensions:	315 mm (w) x 294 mm (d) x 198 mm (h)
Oven Capacity:	17l
Net Weight: approx.	10,5 kg

Note: The above-mentioned data is subject to changes.

Microwave Oven

SMW 3817D



BEFORE YOU CALL FOR SERVICE

If the microwave oven fails to operate:

1. Make sure the oven is plugged in securely. If it is not, remove the plug from the socket, wait 10 seconds and plug it in again securely.
2. Make sure there is no blown circuit fuse or a triplex main circuit breaker. If these seem to be operating properly, test the socket with another appliance.
3. Make sure the control panel is programmed correctly and the timer is set.
4. Make sure the door is securely closed to engage the door safety lock system. Otherwise, the microwave energy will not flow into the oven.

IF NONE OF THE ABOVE RECTIFIES THE SITUATION, CONTACT A QUALIFIED SERVICE AGENT. DO NOT TRY TO ADJUST OR REPAIR THE OVEN YOURSELF.

INSTALLATION

1. Make sure all the packing materials, such as plastic bags, polystyrene etc., are removed from the inside of the oven.
2. **WARNING:** Check the oven for any damage, such as misaligned or bent door, damaged door seals and sealing surface, broken or loose door hinges and latches and dents inside the cavity or on the door. In case of any damage, do not operate the oven and contact a qualified service agent.
3. The microwave oven must be placed on a flat, stable surface to hold its weight and the heaviest food likely to be cooked in the oven.
4. Do not place the oven where heat, moisture or higher humidity is generated, or near combustible materials.
5. To ensure the correct operation, the oven must have sufficient air flow. Keep 20 cm free space above the oven, 10 cm at back and 5 cm at both sides. Do not cover or block any events of the oven. Do not remove the oven's feet.
6. **Your product has been designed for use as a stand-alone device. It has not been designed to be used as a built-in appliance.**
7. Do not operate the oven without installing the glass tray, the roller ring and power device.
8. Make sure the supply cord is not damaged, placed under the oven or in contact with any hot or sharp surface.
9. Make sure that the electric power socket is easy to reach in case of a quick disconnection of the power cord out of the socket.
10. Do not use the oven outdoors.

GROUNDING INSTRUCTIONS

This microwave oven must be grounded. The oven is equipped with a power cord having a grounding wire with a grounding plug. The plug must be connected to the electric power point which is correctly installed and grounded. In the event of an electrical short-circuit, grounding reduces the risk of electric shock by providing an escape wire for the electric current. It is recommended to connect the oven to a separate electrical circuit. Using high voltage is dangerous and may cause fire or different accident resulting in damage to the oven.

WARNING! Incorrect grounding socket can lead to the risk of electric shock.

- Note:**
1. If you have any questions concerning the grounding or electrical instructions, consult them with a qualified electrician or service agent.
 2. Neither the manufacturer or dealer is responsible for any damages to the oven or physical injuries incurred by the negligence to adhere to the correct electrical connection procedures.

RADIO INTERFERENCE

When using the oven, your radio, television or similar equipment may be disturbed.

In case of interference, it may be reduced or eliminated by taking the following procedures:

1. Maintain the door and the sealing of the oven surface clean.
2. Redirect the radio or television antenna receiver.
3. Move the microwave oven further from the receiver.
4. Plug the microwave oven to a different socket with an independent electrical circuit.

IMPORTANT SAFETY INSTRUCTIONS

READ CAREFULLY AND SAFE FOR FUTURE REFERENCE

When using the microwave oven, basic safety precautions should be followed, including the following:

- This appliance is not intended for use by persons (including children) with reduced physical, sensory or mental capabilities, or lack of experience and knowledge, unless they have been given supervision or instruction concerning use of the appliance by a person responsible for their safety. Children should be supervised to ensure that they will not play with the appliance.

WARNING: To reduce the risk of fire, electric shock, personal injuries or exposure to an excessive amount of microwave energy:

1. Read all instructions carefully before using the appliance.
2. Use this appliance only for its intended purpose for which it is designed and as described in this manual. This oven is specifically designed for heating, cooking or drying food. It is not designed for industrial or laboratory use. Do not use corrosive chemicals to this appliance.
3. Do not turn the microwave on when empty.
4. Do not use this oven if the power cord or plug is damaged, or if it does not work properly, or it has been damaged or has been dropped on the ground. If the supply cord is damaged, it must be replaced by an authorised service centre or other similar qualified person in order to avoid a possible dangerous situation.
5. **WARNING:** If the door or the door sealing is damaged, the oven must not be used until it is repaired by an authorised service or qualified technician.
6. **WARNING:** It is dangerous for anyone other than an authorised service or trained person to execute any repairs or maintenance, including the removal of the cover protecting against the exposure to microwave energy radiation.
7. **WARNING:** Only allow children to use the oven without supervision when the adequate instructions have been given so that the child is able to use the oven in a safe manner and can understand the dangers of improper use.
8. To reduce the risk of fire inside the oven:
Only use dishes which are suitable for microwave use.
When heating the food in plastic or paper dishes, check the oven regularly to make sure nothing is ignited.
9. In case of smoke, turn the appliance off and remove the plug from the socket. Leave the oven door closed in order to prevent from the spread of possible fire.
10. Do not use the interior for storage purpose. If the oven is not used, do not leave paper material, kitchenware or food inside.
11. **WARNING:** Liquids or other food must not be heated in closed dishes as they have a tendency to explode.
12. Microwave heating of drinks may cause delayed boiling and therefore it is important to be careful when handling the dishware.
13. Do not deep-fry food in the microwave oven. Hot oil may damage oven parts, dishes or even cause skin burns.
14. Eggs in shells and whole hard-boiled eggs must not be heated in the microwave oven since they may explode, even after microwave heating has ended.
15. Pierce food with a thick skin, such as potatoes, squash, apples and chestnuts before cooking.
16. The contents of feeding bottles and baby food jars must be stirred or shaken and the temperature should be checked before serving to avoid burning.
17. Kitchenware can become hot as a result of heat transferred from the heated food. It will sometimes be necessary to use protective gloves.
18. **IMPORTANT** - kitchenware and aids which must not be used in the microwave oven:
 - metal pans or dishes with metal handles or metal trimming
 - clips for plastic bags
 - dishes with melamine surface
 - common thermometers which are used e.g. to measure the temperature of meat, etc.

MICROWAVE COOKING PRINCIPLES

1. Arrange the food carefully. Place the thickest pieces around the edge of the dish.
2. Do not prepare the food directly on the glass tray. Always place the food into the appropriate dish before inserting into the oven.
3. Set the cooking time correctly. Use short time for cooking and add more if needed. Cooking food at high temperatures may caused smoke or ignition.

Microwave Oven

SMW 3817D

ZE

4. Cover the food while cooking. Covering the food prevents juices from squirting and helps food to heat evenly.
5. To increase the speed of cooking food, such as chicken and hamburgers, turn them over once during cooking. Large pieces of food such as roasts must be turned over at least once.
6. Rearrange similar types of food such as meatballs during cooking from back to front and from the centre to the edge.

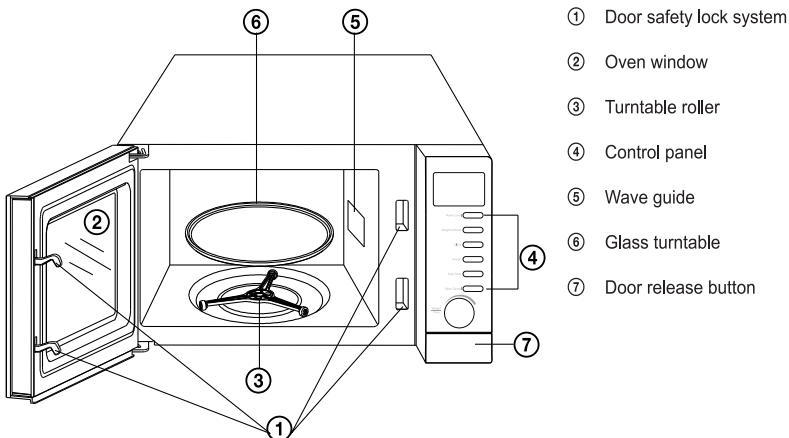
KITCHENWARE GUIDE

1. Transparent dishes are ideal for microwave cooking as they enable the penetration of microwaves and heat the food.
2. Microwaves can not penetrate through metal thus hence metal dishes or bowls with a metal rim should not be used.
3. Do not use recycled paper products for microwave cooking as they can contain small metal fragments.
4. Use round/oval dishes rather than square/rectangular ones, food in corners has a tendency to overcook.
5. You should only use dishes suitable for microwave use in accordance with the manufacturer's instructions.

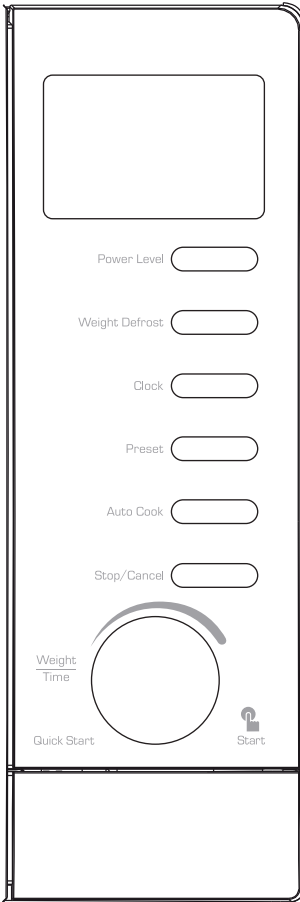
This general list will help you to select the appropriate dishes.

Heat resistant glass	Yes
Common glass	No
Heat resistant ceramics	Yes
Microwave-Safe plastic dishes	Yes
Kitchen paper	Yes
Metal trays	No
Metal rack	No
Aluminium foil and foil containers	No

PART NAMES



CONTROL PANEL



● **DISPLAY**

- Display shows cooking time, power, indicator and clock time.

● **POWER LEVEL BUTTON**

- It serves to set power of the microwave oven. Each time you press the button the power changes – see the table below.

● **WEIGHT DEFROST BUTTON**

- Press to set defrost program based on the weight entered.

● **CLOCK BUTTON**

- In the oven standby mode, press this button to set the oven clock in 12-hour cycle or in 24-hour cycle. Using this button you can set the time.

● **PRESET BUTTON**

- Touch to set a preset cooking program.

● **AUTO COOK BUTTON**

- Press for instant setting to cook popular food.

● **STOP/CANCEL BUTTON**

- Press to cancel setting or reset the oven before setting a cooking program.
- Press once to temporarily stop cooking, or twice to cancel cooking altogether.
- It is also used for setting child lock.

● **ROTARY KNOB**

WEIGHT/TIME

- Turn the knob clockwise to input time only in setting time mode.
- Turn the knob clockwise to select the cooking time.
- Turn the knob clockwise to enter weight or amount of food.

● **START/QUICK START**

- Press this button once to start the cooking program.
- Press this button repeatedly to set the quick start function at full power. One button press means 30 second of microwave cooking.

Microwave Oven

SMW 3817D



HOW TO SET THE OVEN CONTROLS

Each time a button is pressed, a beep will sound to acknowledge the press.

After a cooking program finish, the system will sound beep with END on display. And the beeps will continue to sound every two minutes automatically until the door is opened or STOP/CANCEL button is pressed.

The system return to standby mode.

SETTING DIGITAL CLOCK

With the oven ready for input, press the CLOCK button once or twice to set the digital clock in 12 or 24 hour cycle.

FOR EXAMPLE: Suppose you want to set the oven clock time to 8:30.

1. Press CLOCK button once or twice to set the digital clock in 12 or 24 hour cycle.
2. Turn WEIGHT/TIME dial clockwise to indicate 8:00.
3. Press CLOCK button once and minute will start to blink.
4. Turn WEIGHT/TIME dial clockwise to indicate the minute digits until the screen shows 8: 30.
5. Press CLOCK button once to confirm the setting.

Note: You can press the CLOCK button once to check clock time during cooking.

MICROWAVE COOKING

To program microwave cooking press POWER LEVEL button first. Each time you press POWER LEVEL button the power level changes. Turning WEIGHT/TIME knob clockwise set cooking time. To start cooking program press START/QUICK START button. The longest cooking time is 95 minutes.

Pressing the POWER LEVEL button you can select:

Display	Cooking power
100	100%
80	80%
60	60%
40	40%
20	20%
00	0%

For example, suppose you want to cook for 5 minute at 60% of microwave power.

1. Press STOP/CANCEL button.
2. Press the POWER LEVEL button repeatedly to select power level (60%).
3. Turn the WEIGHT/TIME dial clockwise to show 5:00.
4. Press the START/QUICK START button to start the cooking.

Note:

1. You can check the cooking power when cooking is in progress by pressing the POWER LEVEL button. Display will show the set power level and then it will return automatically to countdown mode.
2. After the cooking/defrosting time elapses, "End" will show up on the screen and the oven will beep, press the STOP/CANCEL button or open the oven door to clear before setting another function (available for the following cooking functions).

QUICK START

This feature allows you to start the oven quickly at full power.

Pressing START/QUICK START button once, you will set the oven for 30 seconds. Each further press will prolong the cooking time for 30 seconds. Press the START/QUICK START button repeatedly to set the desired cooking time. The microwave oven will start immediately at maximum power. The maximum cooking time you can set is 10 minutes.

WEIGHT DEFROST

The oven allows defrosting food based on the weight you entered. The time and the defrosting power are adjusted automatically once the weight is programmed. The food weights range from 100g to 1800g.

For example: Suppose you want to defrost 600g of shrimp.

1. Place the shrimp to be defrosted into the oven and close the door.
2. Press STOP/CANCEL button.
3. Press WEIGHT DEFROST button once and display will show 1S, 100g and a defrosting symbol.
4. Turn WEIGHT/TIME dial clockwise to enter the weight of food.
5. Press the START/QUICK START button to start defrosting.

Note: The defrosting process consists of 3 parts. Each part takes 1/3 of total time. After 2/3 of total time, the system will beep to remind you to turn over the food. The remaining time will blink on the display and will pause until you press START/QUICK START again. That will start the last part of defrosting.

PRESET FUNCTION

For example: Suppose it is 9:00 am and you want to cook at 11:30 am.

1. Set a cooking program – see microwave cooking.
2. Press the PRESET button.
3. Rotate the WEIGHT/TIME dial clockwise to enter hour digit 11.
4. Press the PRESET button.
5. Rotate the WEIGHT/TIME dial clockwise to enter minute digit 30.
6. Press PRESET button to confirm. The timer display will blink.

Note:

1. After has been set the function, you can check the preset time by pressing PRESET button. To cancel the feature, touch PRESET and then STOP/CANCEL button. Timer symbol will stop blinking.
2. When it reaches the preset time, beeps can be heard to signal the preset cooking program begins.
3. Weight Defrost and Quick Start functions can not be preset.

MULTISTAGE COOKING

Your oven can be programmed for up to 2 automatic cooking sequences.

Suppose you want to set the following cooking program.

Microwave Cooking → Microwave Cooking (with lower cooking power)

1. Input Microwave Cooking program.
2. Input another stage of Microwave Cooking program (with lower cooking power).
3. Press START/QUICK START to start the multistage cooking.

Note:

Each cooking program will be counted down separately. After finishing the first set time, the oven will automatically continue in the second microwave program.

In multistage cooking you can set only Auto Cook only on the first stage. Weight Defrost and Quick Start cannot be set in the multistage cooking mode.

The respective lights will turn on to indicate which stage the oven is operating in. After total time has elapsed, beeps will sound.

AUTO COOK

For food or the following cooking mode, it is not necessary to program the duration and the cooking power. It is sufficient to indicate the type of food that you wish to cook as well as the weight of this food. You may need to turn food over at the middle of cooking time to obtain uniform cooking.

For example: Suppose you want to cook 400g of vegetables.

1. Press STOP/CANCEL button.
2. Press AUTO COOK button repeatedly to select corresponding food code.
3. Rotate the WEIGHT/TIME dial clockwise to indicate a weight of 400g.
4. Press the START/QUICK START button to start the cooking.

Note:

Press STOP/CANCEL button to pause the program. To continue, press START/QUICK START button.

To cancel the auto cook program press STOP/CANCEL button twice.

Microwave Oven

SMW 3817D



Auto Cook Menu

Code	Food	Note
01	Milk/coffee (200 ml/ cup)	1. For milk/coffee, potato, parameters are not food weight but number of servings. 2. For popcorn there is only one choice. 3. For spaghetti, add boiled water before cooking. 4. The result of auto cook depends on factors such as fluctuation of voltage, the shape and size of food, your personal preference as to the doneness of certain foods and even how well you happen to place food in the oven. If you find the result at any rate not quite satisfactory, please adjust the cooking time a little bit accordingly.
02	Rice (g)	
03	Pasta (g)	
04	Potatoes (230g / pc)	
05	Reheat (g)	
06	Fish (g)	
07	Popcorn (99g)	
08	Pizza (g)	

CHILD SAFE LOCK

Designed to prevent small children from using the microwave oven without adult supervision. Once the child safe lock has been set, it will be impossible to operate the oven.

CHILD SAFE LOCK activation: Press the STOP/CANCEL button and hold it for approx. 3 seconds. Once activated, a beep will be heard and a lock symbol will appear on the screen. No button will be activated.

CHILD SAFE LOCK deactivation: Press the STOP/CANCEL button and hold it for approx. 3 seconds. A beep will be heard and a lock symbol will disappear.

MAINTENANCE AND CLEANING

Prior to cleaning the oven, always turn the oven off and remove the electric cord from the socket.

1. Before using the oven for the first time, wash the glass tray in water with detergent and rinse roughly.
2. Maintain the interior space of the oven clean. If the oven walls are dirtied by food juices, wipe with a wet cloth. If the oven is heavily dirtied, you can use a weak solution of a neutral cleaning agent. Avoid using a spray or abrasive cleaning agents, which could lead to discolouration or bleaching of the surface.
3. The exterior part of the oven should be cleaned by a damp cloth. In order to prevent damage to the operational parts of the oven, make sure water does not enter the ventilation openings.
4. Clean the oven door and window on both sides, the door sealing and adjacent parts on a regular basis from dirt and remnants of food. We recommend using a weak solution of a neutral kitchen cleaning agent for cleaning. Do not use abrasive cleaning agents, gas or thinners for cleaning.
5. Do not allow the control panel to get wet. Clean it with a soft damp cloth. When cleaning the control panel, leave the oven door open to prevent turning it on by accident.
6. If the interior of the door and the adjacent parts become obscured by steam from food, clean using a soft cloth. This may occur as a result of using the oven in a place with higher humidity. It is a normal state.
7. It is necessary to occasionally remove the glass tray and clean it. Rinse the tray in warm soap water or in the dishwasher.
8. The rotating circle and bottom of the interior part of the oven should be cleaned on a regular basis to prevent an increase in noise. You can easily clean the bottom of the interior part of the oven with a weak solution of a neutral cleaning agent. The rotating circle can be cleaned in a weak solution of a neutral cleaning agent or in the dishwasher. After removing the rotating circle from the oven interior for cleaning, return it to its original position once clean.
9. To get rid of the smell from the oven, place a glass of water in the microwave oven (make sure it is suitable for microwave use) with the rind of one lemon and let it cook in the microwave programme for 5 minutes. Wipe the oven interior dry thoroughly using a soft cloth.
10. If it is necessary to replace the interior lighting of the oven, please contact the dealer.
11. Clean the oven on a regular basis in accordance with the aforementioned instructions and remove the remnants of food. Not maintaining the oven in a clean state could lead to the damage of the surface, which could have a negative influence on the life of the appliance and could result in a dangerous situation.

INSTRUCTIONS AND INFORMATION REGARDING THE DISPOSAL OF USED PACKAGING MATERIALS

Dispose of packaging material at a public waste disposal site.

DISPOSAL OF USED ELECTRICAL AND ELECTRONIC APPLIANCES



The meaning of the symbol on the product, its accessory or packaging indicates that this product shall not be treated as household waste. Please, dispose of this product at your applicable collection point for the recycling of electrical & electronic equipment waste. Alternatively in some states of the European Union or other European states you may return your products to your local retailer when buying an equivalent new product. The correct disposal of this product will help save valuable natural resources and help in preventing the potential negative impact on the environment and human health, which could be caused as a result of improper liquidation of waste. Please ask your local authorities or the nearest waste collection centre for further details. The improper disposal of this type of waste may fall subject to national regulations for fi nes.

For business entities in the European Union

If you wish to dispose of an electrical or electronic device, request the necessary information from your seller or supplier.

Disposal in other countries outside the European Union

If you wish to dispose of this product, request the necessary information about the correct disposal method from local government departments or from your seller.



This product meets all the basic EU regulation requirements that relate to it.

Changes to the text, design and technical specifications may occur without prior notice and we reserve the right to make these changes.