



## Range Hood

Use & Care Guide

Installation Manual

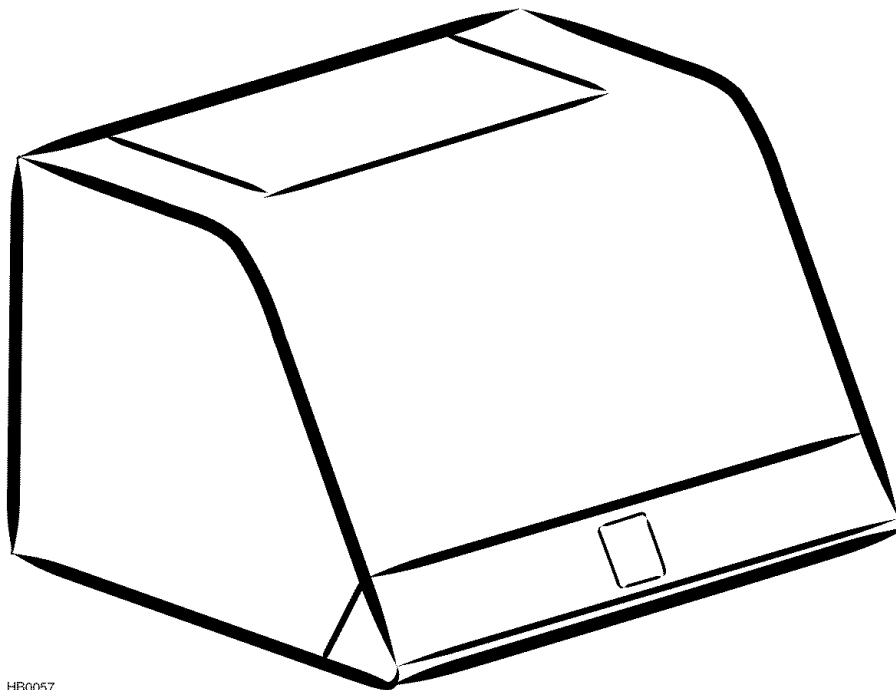
## Campana de cocina

Manual de uso y cuidado

Manual de instalación

Models 233.51003600 (30" wide - Stainless)

Modelos 233.51063600 (36" wide - Stainless)



HB0057

ENGLISH  
ESPAÑOL

# READ AND SAVE THESE INSTRUCTIONS

## TABLE OF CONTENTS

SECTION .....	PAGE
Warranty .....	2
Safety Instructions .....	2
Operation .....	3
Cleaning .....	3
Parts Included With Hood .....	4
Parts Not Included With Hood .....	4
Tools Needed .....	4
51000 Series Range Hood System .....	5
Equivalent Duct Length Chart .....	6
Prepare The Hood Location .....	7
Prepare The Hood .....	8
Install The Hood .....	9
Connect The Wiring .....	10
Wiring Diagram .....	10
Finalize the Installation .....	10
Changing Light Bulbs .....	10
Install The Filters .....	11
Service Parts .....	12

## WARRANTY

If within 1 year from the date of installation, any part of this range hood fails to function properly due to a defect in material or workmanship, Sears will repair the part or furnish and install a new part, free of charge.

### FULL 30-DAY WARRANTY ON FINISH ON PAINTED OR BRIGHT METAL PARTS

If within 30 days from the date of installation, the finish on any painted or bright metal parts of this range hood is defective in material or workmanship, Sears will furnish and install a new part, free of charge.

### WARRANTY SERVICE IS AVAILABLE BY CONTACTING THE NEAREST SEARS SERVICE CENTER/DEPARTMENT IN THE UNITED STATES.

This warranty applies only while this product is in use in the United States. This warranty gives you specific legal rights and you may have other rights which vary from state to state.

Sears, Roebuck and Co., Dept 817WA, Hoffman Estates, IL 60179

## SAFETY INSTRUCTIONS

### ⚠ INTENDED FOR DOMESTIC COOKING ONLY ⚠

#### WARNING ⚠ ⚠

TO REDUCE THE RISK OF FIRE, ELECTRIC SHOCK, OR INJURY TO PERSONS, OBSERVE THE FOLLOWING:

1. Use this unit only in the manner intended by the manufacturer. If you have questions, contact the manufacturer at the address listed in the warranty.
2. Before servicing or cleaning unit, switch power off at service panel and lock the service disconnecting means to prevent power from being switched on accidentally. When the service disconnecting means cannot be locked, securely fasten a prominent warning device, such as a tag, to the service panel.
3. Installation work and electrical wiring must be done by a qualified person(s) in accordance with all applicable codes and standards, including fire-rated codes and standards.
4. Sufficient air is needed for proper combustion and exhausting of gases through the flue (chimney) of fuel burning equipment to prevent backdrafting. Follow the heating equipment manufacturer's guideline and safety standards such as those published by the National Fire Protection Association (NFPA), and the American Society for Heating, Refrigeration and Air Conditioning Engineers (ASHRAE), and the local code authorities.
5. When cutting or drilling into wall or ceiling, do not damage electrical wiring and other hidden utilities.
6. Do not use this range hood with any additional solid state speed control device.
7. Ducted fans must always be vented to the outdoors.
8. To reduce the risk of fire, use only steel ductwork.
9. This unit must be grounded.

#### TO REDUCE THE RISK OF A RANGE TOP GREASE FIRE:

1. Never leave surface units unattended at high settings. Boilovers cause smoking and greasy spillovers that may ignite. Heat oils slowly on low or medium settings.
2. Always turn hood ON when cooking at high heat or when flambeing food (Crêpes Suzette, Cherries Jubilee, Peppercorn Beef Flambé).
3. Clean ventilating fans frequently. Grease should not be allowed to accumulate on fan or filter.
4. Use proper pan size. Always use cookware appropriate for the size of the surface element.

#### WARNING ⚠ ⚠

TO REDUCE THE RISK OF INJURY TO PERSONS IN THE EVENT OF A RANGE TOP GREASE FIRE, OBSERVE THE FOLLOWING:\*

1. SMOTHER FLAMES with a close-fitting lid, cookie sheet, or metal tray, then turn off the burner. BE CAREFUL TO PREVENT BURNS. If the flames do not go out immediately, EVACUATE AND CALL THE FIRE DEPARTMENT.
2. NEVER PICK UP A FLAMING PAN - You may be burned.
3. DO NOT USE WATER, including wet dishcloths or towels - This could cause a violent steam explosion.
4. Use an extinguisher ONLY if:
  - A. You know you have a Class ABC extinguisher and you already know how to operate it.
  - B. The fire is small and contained in the area where it started.
  - C. The fire department is being called.
  - D. You can fight the fire with your back to an exit.

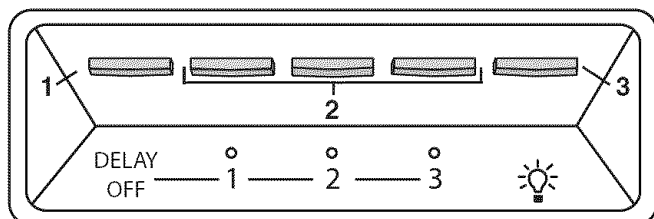
\* Based on "Kitchen Fire Safety Tips" published by NFPA.

#### CAUTION ⚠

1. For general ventilating use only. Do not use to exhaust hazardous or explosive materials and vapors.
2. To avoid motor bearing damage and noisy and/or unbalanced impellers, keep drywall spray, construction dust, etc. off power unit.
3. Your hood motor has a thermal overload which will automatically shut off the motor if it becomes overheated. The motor will restart when it cools down. If the motor continues to shut off and restart, have the hood serviced.
4. For best capture of cooking impurities, the bottom of the hood should be a minimum of 24" (30" over a gas range) and a maximum of 30" (36" over a gas range) above the cooking surface.
5. To reduce the risk of fire and to properly exhaust air on a ducted installation, be sure to duct air outside - Do not exhaust air into spaces within walls or ceiling or into attics, crawl spaces, or garage.
6. This product is equipped with a thermostat which may start blower automatically. To reduce the risk of injury and to prevent power from being switch on accidentally, switch power off at service panel and lock or tag service panel.
7. To reduce the risk of fire and electric shock, the Kenmore PRO 51000 Series hood must be installed with blower models 51200, 51600, or 57745 only. Other blowers cannot be substituted. (Blowers sold separately).
8. Please read specification label on product for further information and requirements.

## OPERATION

Always turn ON your hood before you begin cooking in order to establish an air flow in the kitchen. Let the blower run for a few minutes to clear the air after you turn off the range. This will help keep the whole kitchen cleaner and brighter.



HC0029

1. Delay Off Push Button
2. Blower Speed Push Buttons
3. Halogen Lights Push Button

### Delay Off

When blower is ON, press on this button (item 1 on picture above) to start the Delay Off function. The blower will stay at its active power level for 5 minutes and then will shut off automatically. During the delay function, the active speed LED is blinking slowly to show the delay function is on. To cancel the delay function, press Delay Off button again; the blower will stay on. To stop blower and delay function, press on blower activated speed.

### Blower Speed

The blower has 3 speed levels.

Press once on push button 1 to activate the blower on low speed, on 2 for medium speed, and on 3 for high speed. When activated, the corresponding blower speed LED is lit. To stop blower, press once again on the activated blower speed.

NOTE: When blower is off, pressing on blower speed 1 will cause the blower to start on high speed for a very short lapse of time, and then resume on speed 1.

### HEAT SENTRY™

Your hood is equipped with a HEAT SENTRY™ thermostat. This thermostat is a device that will turn on or speed up the blower if it senses excessive heat above the cooking surface.

- 1) If blower is OFF - it turns blower ON to high speed, and LED over speed 3 blinks rapidly. When the temperature level drops to normal, the blower will return to its original setting (OFF) and LED over speed 3 will shut off.
- 2) If blower is ON at a lower speed setting - it turns blower up to HIGH speed, and LED over speed 3 blinks rapidly. When the temperature level drops to normal, the blower will still be running on HIGH speed but the LED over speed 3 stops blinking and stay ON.



**WARNING: The HEAT SENTRY™ thermostat can start the blower even if the hood is turned OFF. If you must stop the blower, press and hold push button 3 for more than 2 seconds.**

### Halogen Lights

Press this push button (item 3 on picture above) to control the halogen lights.

Press once for low intensity, twice for medium intensity and three times for maximum intensity. Press another time to shut off the lights.

NOTE: Light intensity gradually changes between settings.

Use GU10, 50W halogen bulbs. (Included. Please refer to page 4 for ordering information.)

Memory Setting: To memorize a specific light intensity, press and hold halogen lights button for 2 seconds at the chosen light intensity. Lights will turn off. Next time this push button will be pressed, lights will turn on at the intensity previously set.

NOTE: Any change in light intensity will reset the memory.

## CLEANING

### Baffle filters

The baffle filters should be cleaned frequently. Use a warm detergent solution. Baffle filters are dishwasher safe.

Wash more often if your cooking style generates greater grease - like frying foods or wok cooking.

Remove filters by pushing filters towards the front of hood and rotating filters downward.

### Blower Cleaning

Remove the baffle filters in order to access the blower. Vacuum blower to clean. Do not immerse in water. Refer to blower instruction manual for more details.

### Hood Cleaning

Stainless steel cleaning: How to maintain its "BRIGHT LOOK"

#### Do:

- Regularly wash surfaces with clean cloth or rag soaked with warm water and mild soap or liquid dish detergent.
- Always clean in the direction of original polish lines.
- Always rinse well with clear water (2 or 3 times) after cleaning. Wipe dry completely.
- You may also use a specialized household stainless steel cleaner.

#### Don't:

- Do not use any steel or stainless steel wool or any other scrapers to remove stubborn dirt.
- Do not use any harsh or abrasive cleaners.
- Do not allow dirt to accumulate.
- Do not let plaster dust or any other construction residues reach the hood. During construction/renovation, cover the hood to make sure no dust sticks to stainless steel surface.

#### Avoid: when choosing a detergent

- Any cleaners that contains **bleach** will attack stainless steel.
- Any products containing: **chloride, fluoride, iodide, bromide** will deteriorate surfaces rapidly.
- Any combustible products used for cleaning such as **acetone, alcohol, ether, benzol**, etc., are highly explosive and should not be used close to a range.

Warranty

Safety

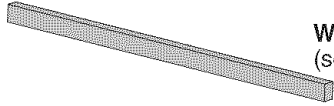
Operation

Cleaning

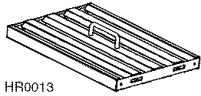
Installation

Service Parts

## PARTS INCLUDED WITH HOOD



**Wood mounting strip**  
(screwed on back of hood)



HR0013

**Baffle Filter**  
(3 per hood)



**Parts Bag**  
(includes 4 flat head screws #10-2",  
8 screws #8-3/4", 4 Nuts #10-32,  
2 Wall anchors and  
2 Washers 3/16" ID x 3/4" OD)



HR0012

**120 V, 50W, MR 16 with GU10 base  
OR PAR 16 with GU10 base,  
shielded halogen lamp**  
(3 per 30" hood, 4 per 36" hood)  
Sears Part No. V05921

## PARTS NOT INCLUDED WITH HOOD

### Ducting Accessories

(See "51000 Series Range Hood System" on page 5 for Ducting Accessory Model Nos.)

### Blower (interior OR exterior)

(See "51000 Series Range Hood System" on page 5 for Blower Model Nos.)

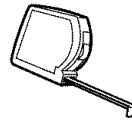
## TOOLS NEEDED FOR HOOD INSTALLATION



**Screwdriver**  
(Robertson or Phillips)



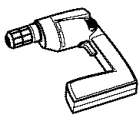
**Pencil**



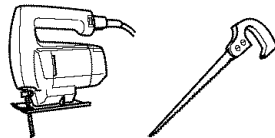
**Tape Measure**



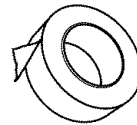
**3/8" Nutdriver**



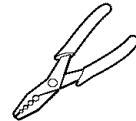
**Drill**



**Sabre Saw -or- Keyhole Saw**



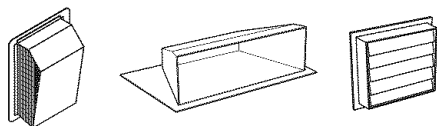
**Duct Tape**



**Wire Stripper**

# 51000 SERIES RANGE HOOD SYSTEM

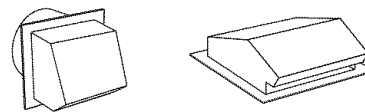
Wall & Roof Caps,  
Exterior Blower



**Sears Stock Number 57745**  
1200 cfm  
Exterior Blower

**Broan Model 437**  
High Capacity  
Roof Cap

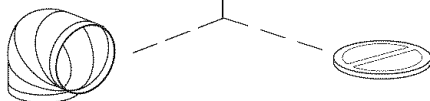
**Broan Model 441**  
10" Round  
Wall Cap



**Broan Model 647**  
7" Round  
Wall Cap

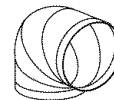
**Sears Stock Number 59091**  
Roof Cap

Elbows and  
In-Line Dampers



**Broan Model 418**  
10" Round  
Adjustable Elbow

**Broan Model 421**  
10" Round  
Vertical  
In-Line Damper



**Broan Model 415**  
7" Round  
Adjustable Elbow

Ductwork

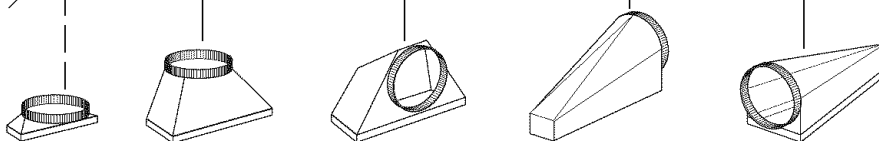


**Broan Model 410**  
10" Round Duct  
(2 ft. sections)



**Broan Model 407**  
7" Round Duct  
(2 ft. sections)

Choose 1 of 5  
Discharge  
Transitions



**Broan Model 427**  
(4 1/2" x 18 1/2" to 10" Rd., - vertical)  
to 10" Rd.,  
6" high - lateral)

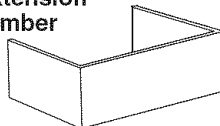
**Broan Model 423**  
(4 1/2" x 18 1/2" to 10" Rd., - vertical)  
to 10" Rd., Horiz.  
front - rear)

**Broan Model 424**  
(4 1/2" x 18 1/2" to 10" Rd., Horiz.  
front - rear)

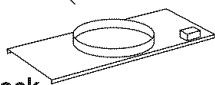
**Broan Model 454**  
(4 1/2" x 18 1/2" to 10" Rd., Horiz.  
Horiz. / right)

**Broan Model 453**  
(4 1/2" x 18 1/2" to 10" Rd., Horiz.  
Horiz. / left)

**Optional Flue Extension**  
Sears Stock Number  
51012  
51024  
51036



**Sears Stock Number 58140**  
**Rough-in Kit**  
(Use with Exterior  
Blower Model 57745)

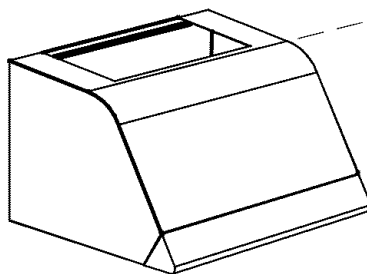


**Sears Stock Number 51200**  
**Blower / Rough-in Kit**  
(1200 cfm Interior Blower and  
Rough-in Plate)

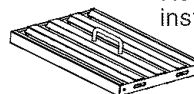


**Sears Stock Number 51600**  
**Blower / Rough-in Kit**  
(600 cfm Interior Blower and  
Rough-in Plate)

Choose 1 of 3  
Blower Systems



**51000 Series Hood**  
(Canopy with blower  
controls & lighting.  
Required for all  
installations.)



Warranty

Safety

Operation

Cleaning

Installation

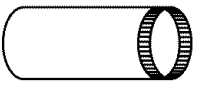

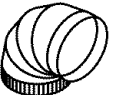
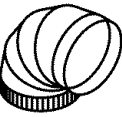

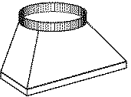
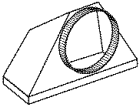
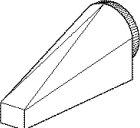
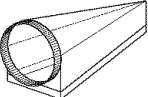
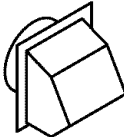
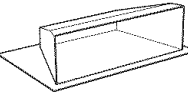
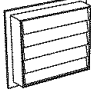
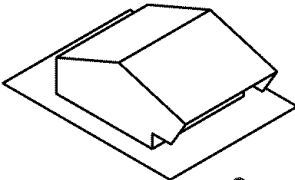
Service Parts

**SEARS STOCK NUMBERS** available through your local Sears store, on line at Sears.com, or from Sears Parts at 1-800-366-7278. For availability of Broan Models, please call 1-800-558-1711.



## EQUIVALENT DUCT LENGTH CHART

Kenmore range hoods are designed to perform efficiently when attached to long runs of duct. As a point of reference, this hood will function at approximately 80% of its rated air performance when 100 equivalent feet of 7" round ductwork is attached (for 600 cfm blowers) or 125 equivalent feet of 10" round duct is attached (for 1200 cfm blowers). Use this chart to calculate the equivalent duct length of your system. Note that 7" round is the minimum recommended duct size for 600 cfm blowers, and 10" round is the minimum recommended duct size for 1200 cfm blowers.

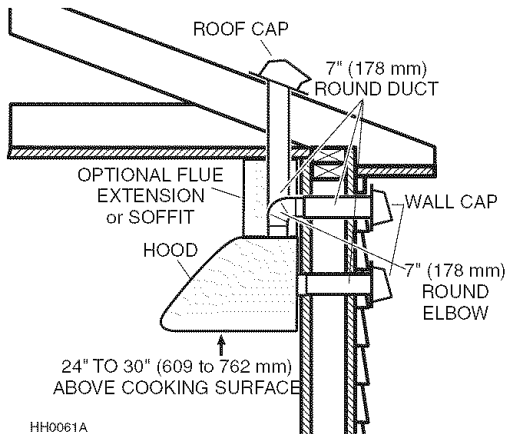
 <p><b>Broan Model 407</b> Straight Duct 7-in. round x 2-ft. long Equivalent length <b>2 ft.</b></p>  <p><b>Broan Model 410</b> Straight Duct 10-in. round x 2-ft. long Equivalent length <b>2 ft.</b></p>  <p><b>Broan Model 415</b> 7-in. Round Elbow Equivalent length <b>8 ft.</b></p>  <p><b>Broan Model 418</b> 10-in. Round Elbow Equivalent length <b>10 ft.</b></p>  <p><b>Broan Model 427</b> 4 1/2-in. x 18 1/2-in. to 10-in. Round, 6-in. High - Lateral Transition Equivalent length <b>2 ft.</b></p>  <p><b>Broan Model 423</b> 4 1/2-in. x 18 1/2-in. to 10-in. Round - Vertical Transition Equivalent length <b>2 ft.</b></p>	 <p><b>Broan Model 424</b> 4 1/2-in. x 18 1/2-in. to 10-in. Round - Horiz. Front / Rear Transition Equivalent length <b>10 ft.</b></p>  <p><b>Broan Model 454</b> 4 1/2-in. x 18 1/2-in. to 10-in. Round - Horiz. Right Transition Equivalent length <b>12 ft.</b></p>  <p><b>Broan Model 453</b> 4 1/2-in. x 18 1/2-in. to 10-in. Round - Horiz. Left Transition Equivalent length <b>12 ft.</b></p>	 <p><b>Broan Model 647</b> 7-in. Round Wall Cap Equivalent length <b>30 ft.</b> (15-ft. w/o damper)</p>  <p><b>Broan Model 437</b> 10-in. Round Roof Cap Equivalent length <b>40 ft.</b> (25-ft. w/o damper)</p>  <p><b>Broan Model 441</b> 10-in. Round Wall Cap Equivalent length <b>40 ft.</b> (25-ft. w/o damper)</p>  <p><b>Sears Model 59091</b> Roof Cap (7-in. round) Equivalent length <b>30 ft.</b> (7-ft. w/o damper)</p>
--	--	---

**SEARS STOCK NUMBERS** available through your local Sears store, on line at [Sears.com](http://Sears.com), or from Sears Parts at 1-800-366-7278. For availability of Broan Models, please call 1-800-558-1711.

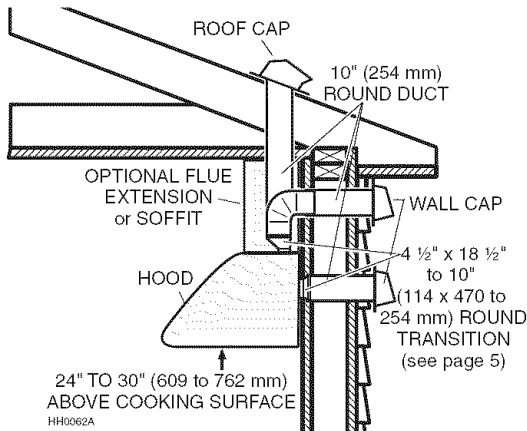
# PREPARE THE HOOD LOCATION

- The Kenmore PRO Series hood must be installed with interior blower models 51200 or 51600, or exterior blower 57745 only. Other blowers cannot be substituted. (Blowers sold separately.)

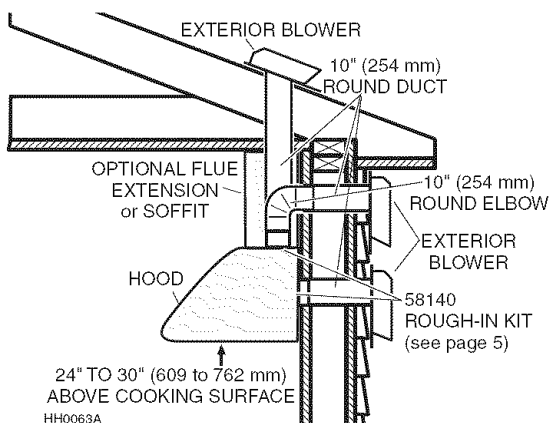
Plan where and how the ductwork will be located. Install proper-sized ductwork, transition(s), elbow(s), and roof or wall cap for the model of blower you are using. For best results, use a minimum number of transition and elbows.



**MODEL 51600 SINGLE BLOWER TYPICAL DUCTWORK**



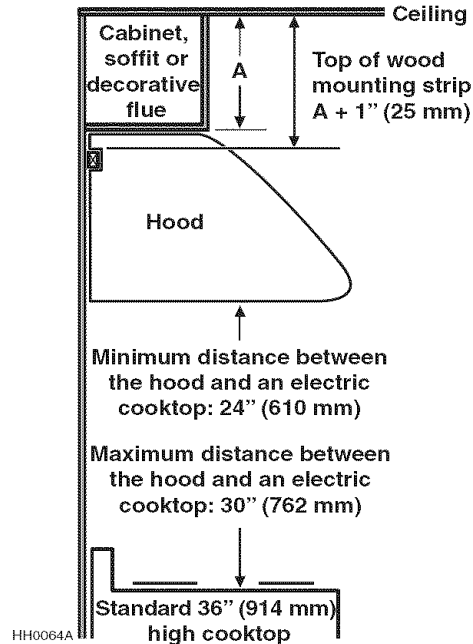
**MODEL 51200 DUAL BLOWER TYPICAL DUCTWORK**



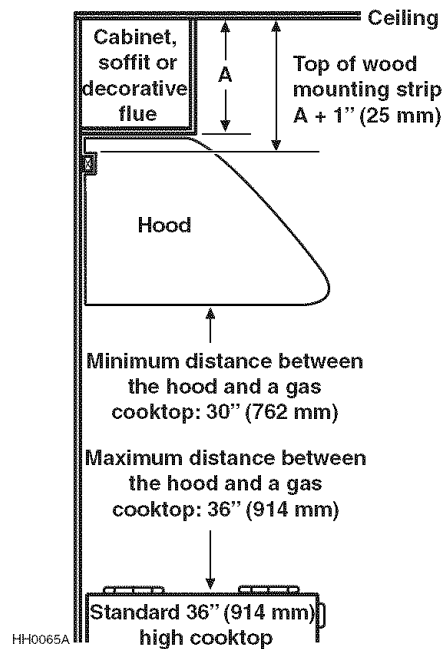
**MODEL 57745 EXTERIOR BLOWER TYPICAL DUCTWORK**

- Dimensions for the most common installations are shown below.

Adjust your measurements for various heights of ceilings, soffits, cabinets or cooktops. **For proper operation, the hood must be a minimum of 24" (30" for a gas range) and a maximum of 30" (36" for a gas range) above the cooktop.**



**MINIMUM AND MAXIMUM DISTANCE BETWEEN COOKTOP (ELECTRIC RANGE)**



**MINIMUM AND MAXIMUM DISTANCE BETWEEN COOKTOP (GAS RANGE)**

Warranty

Safety

Operation

Cleaning

Installation

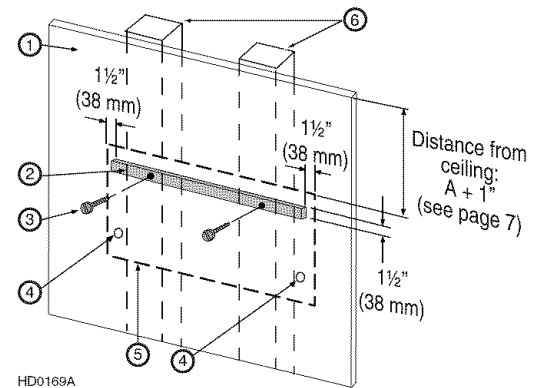
Service Parts

## PREPARE THE HOOD

1. Measure and mark a level line on wall above cooktop location for the wood mounting strip (see illustration to the right and under step 2 on page 7). Unscrew the mounting strip from the hood and discard the screws. Use **#10-2" flat head screws** (included in the parts bag) to secure the **mounting strip** to the drywall. Make sure to hit the wall studs.

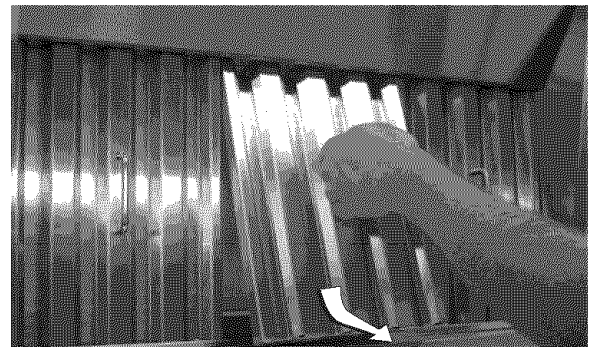


**CAUTION:** Due to the weight of this hood, ensure that the wood strip is attached to all of the available wall studs (2 studs minimum for the 30" hood, more for a 36" hood); not into drywall alone.



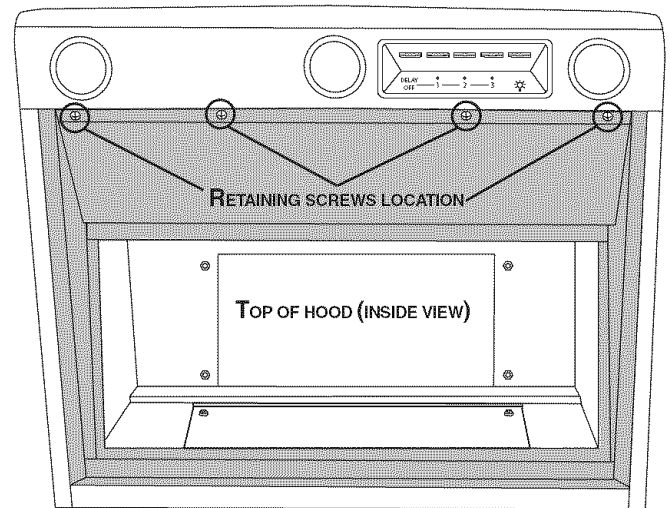
- HD0169A
1. Drywall
  2. Wood Mounting Strip
  3. Flat Head Screw
  4. Wall Anchor Location
  5. Outline of the Back of the Hood
  6. Wall Studs

2. Remove filters from hood and set aside.



HD0172

3. Using a Phillips #2 or a Robertson #2 screwdriver, remove 4 screws retaining the pan to the hood (shaded part on illustration beside) and set aside.



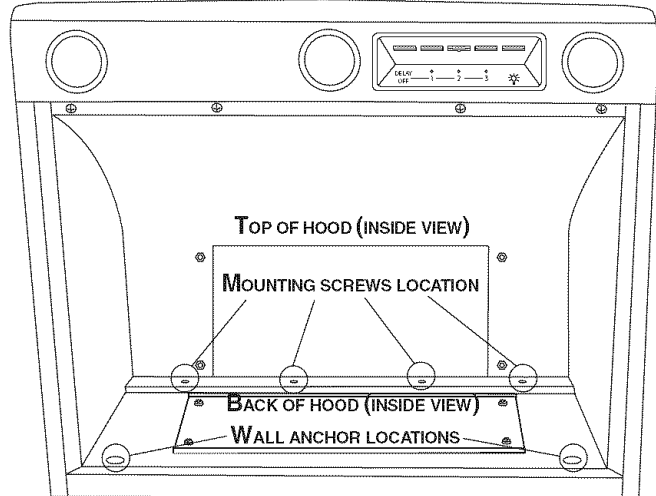
HD0170

# INSTALL THE HOOD

1. Rest the back cavity of the hood on the wood mounting strip.

**CAUTION:** Hold the hood until it is completely secured to the wood mounting strip.

Secure hood to wood strip with (4) **screws #8 - 3/4"** provided at location shown. Drill (2)  $3/16"$  size holes into the drywall for wall anchors through the existing holes in the inside hood back in the locations shown. Then install the (2) **wall anchors** and attach the hood to these anchors with the remaining **#8 - 3/4" screws** and the (2) **washers** provided.



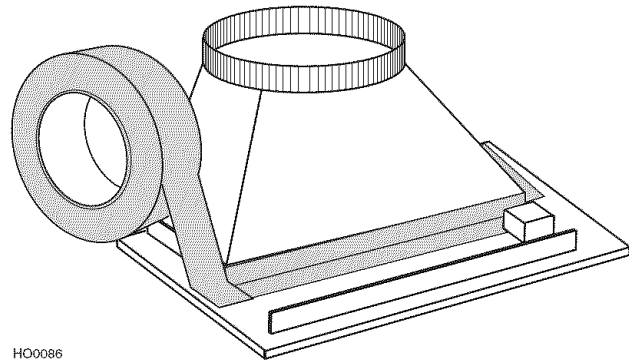
HD0171

2. Attach transition (if required) to blower rough-in plate. Refer to page 5 for available model numbers.

Use duct tape to make all joints secure and air-tight.

**NOTE**

Model 32685 blower plate connects directly to 7" round duct without a transition.  
Exterior blower model 32675 utilizes a model 32674 mounting plate which connects directly to 10" round ductwork without a transition.



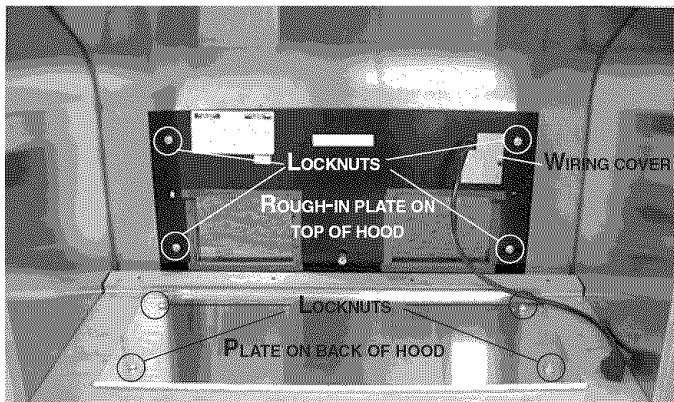
HO0086

3. Run power cable to installation location. Refer to the instructions included with the selected **blower / rough-in kit** (sold separately) for details on installing the rough-in plate. Install the rough-in plate so that the wiring box is located on the right side as you are facing the hood.

For ducting through back of hood, remove existing plate from inside back of hood and attach to inside top of hood to cover hole. Secure to threaded studs with same (4) nuts.

For ducting through top of hood, existing plate remains in place on inside back of hood.

Connect ducting to transition or rough-in plate as you are installing the rough-in plate. Use duct tape to make all joints secure and air-tight.



HO0087

Warranty

Safety

Operation

Cleaning

Installation

Service Parts



## CONNECT THE WIRING



**WARNING:** Risk of electrical shock. Electrical wiring must be done by qualified personnel in accordance with all applicable codes and standards. Before connecting wires, switch power off at service panel and lock service disconnecting means to prevent power from being switched on accidentally.

1. Remove wiring cover from rough-in plate and set aside.
2. Remove appropriate knock-out from rough-in plate. As you are installing the rough-in plate, feed 6" of power cable through knock-out opening and attach cable to wiring box with appropriate connectors.
3. Connect BLACK to BLACK, WHITE to WHITE and GREEN or bare wire under GREEN ground screw. Reinstall wiring cover.

## FINALIZE THE INSTALLATION

### OPTION

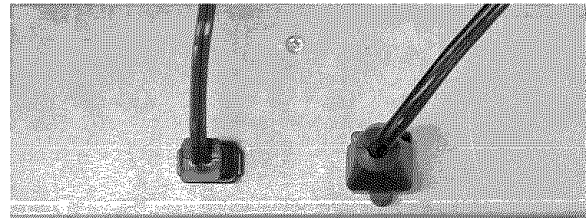
According to your needs, 3 soffit chimney models are available - to hide ductwork if the hood is not installed under a cabinet.

The 12" high 51012 model is intended for kitchen with 8' ceiling, the 24" high 51024 for 9' ceiling and the 36" high 51036 for 10' ceiling. Refer to the instructions included with the soffit chimney.

Refer to page 5 for ordering information.

1. To install blower, refer to instructions included with blower / rough-in kit. Once the blower is installed, plug the blower unit into the female receptacle and the power supply onto the male connector inside the hood. DO NOT plug the two cords into each other.

See page 5 for blower / rough-in kit information.



HE0078

2. Install the pan previously removed inside the hood, and secure with its 4 screws.

## CHANGING LIGHT BULBS



**WARNING:** In order to prevent the risk of personal injury, do not install a lamp identified for use only in enclosed fixtures.

This hood must use 120 V, 50W, MR16 with GU10 base or PAR 16 with GU10 base, shielded halogen lamps (included).

Refer to page 4 for ordering information.



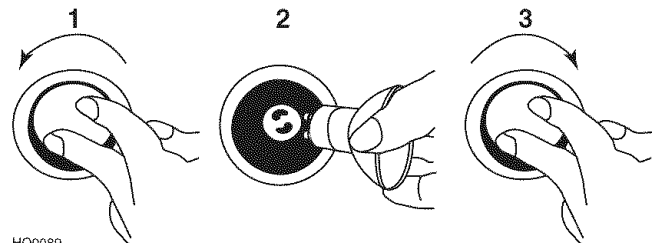
**WARNING:** In order to prevent the risk of personal injury, the halogen lamps must be cooled down before removing them.

1. To remove lamps, gently push upwards and turn counterclockwise to disengage bulb leads from their grooves.

### NOTE

If need be, use a rubber dishwashing glove to add grip when removing the bulb.

2. Install the new lamps by placing the bulb leads into their grooves in the socket.
3. Gently push upwards and turn clockwise until secure.



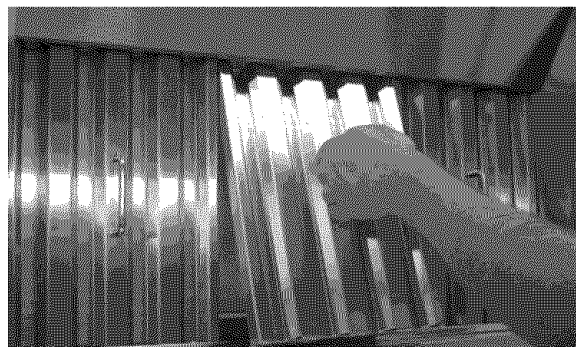
HO0089

## INSTALL FILTERS



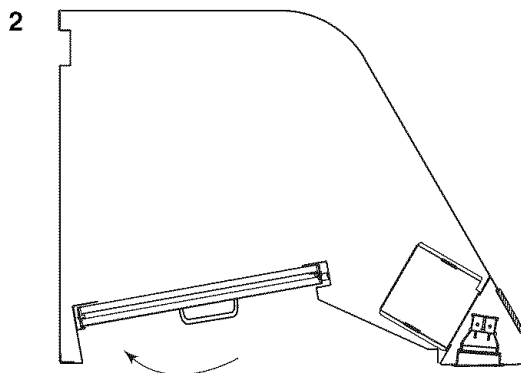
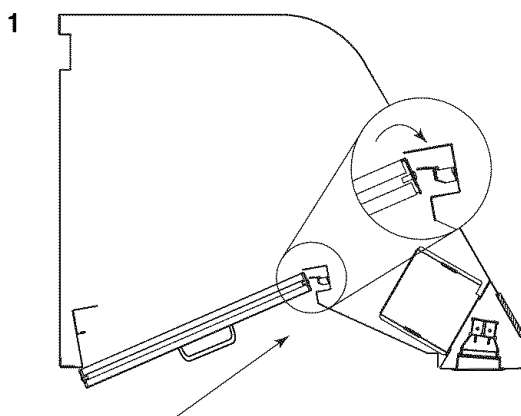
**CAUTION:** Remove protective plastic film covering baffle filters before installing them.

It is recommended to install side baffle filters first and finish with center one.



HD0172

- 1) Insert one end of baffle filter into the hood. Push towards the front of the hood in order to insert the retaining clip into the baffle border slots.
- 2) Raise lower end toward the inside of hood until it rest in its position.



HD0173

Replacement baffle filters are available.  
Refer to page 12 for ordering information.

Warranty

Safety

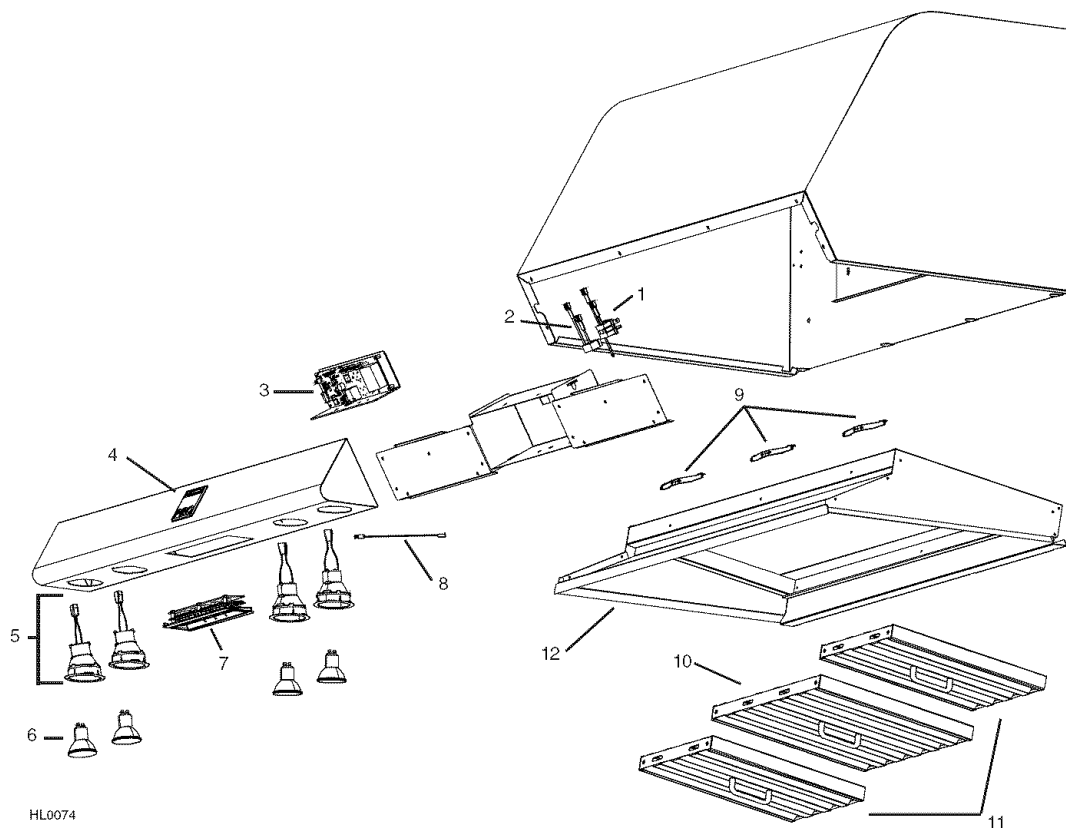
Operation

Cleaning

Installation

Service Parts

# SERVICE PARTS



KEY NO.	PART NO.	DESCRIPTION	30" WIDTH	36" WIDTH
1	V13924	Male Connector	1	1
2	V13923	Female Connector	1	1
3	V07452	Control Processor Unit	1	1
4	V07679	Logo Kenmore PRO	1	1
5	V16569	Lamp Shell, Socket & Trim Ass'y	3	4
6	V05921	Halogen Lamp (50W, 120V, PAR 16, GU-10)	3	4
7	V07664	Electronic Control Ass'y	1	1
8	V06138	Thermistor Heat Sentry	1	1
9	V05528	Filter Spring Clip	3	3
10	V16682	Baffle Filter 11.25" x 12.50"	-	1
11	V16679	Baffle Filter 8.93" x 12.50"	3	2
12	V16688	Inside Frame Ass'y (including item 9) 30" x 18" x 24"	1	-
	V16693	Inside Frame Ass'y (including item 9) 36" x 18" x 24"	-	1
*	V07678	Harness Kit	1	1
*	V07800	Kenmore PRO Installation Manual	1	1
*	V12971	Installation Bag (Flat head screws #10 x 2" (4), Screws #8 x 3/4" (8), Nuts #10-32 (4), Wall anchors (2), Washers 3/16" ID x 3/4" OD (2))	1	1

Order replacement parts by PART NO. - not by KEY NO.

\* Not illustrated.

# Get it fixed, at your home or ours!

## Your Home

For repair – **in your home** – of **all** major brand appliances, lawn and garden equipment, or heating and cooling systems, **no matter who made it, no matter who sold it!**

For the replacement parts, accessories and owner's manuals that you need to do-it-yourself.

For Sears professional installation of home appliances and items like garage door openers and water heaters.

**1-800-4-MY-HOME<sup>®</sup>** (1-800-469-4663)

Call anytime, day or night (U.S.A. and Canada)

[www.sears.com](http://www.sears.com)      [www.sears.ca](http://www.sears.ca)

## Our Home

For repair of carry-in items like vacuums, lawn equipment, and electronics, call or go on-line for the location of your nearest **Sears Parts & Repair Center.**

**1-800-488-1222**

Call anytime, day or night (U.S.A. only)

[www.sears.com](http://www.sears.com)

To purchase a protection agreement on a product serviced by Sears:

**1-800-827-6655** (U.S.A.)

**1-800-361-6665** (Canada)

Para pedir servicio de reparación a domicilio, y para ordenar piezas:

**1-888-SU-HOGAR<sup>SM</sup>**

(1-888-784-6427)

Au Canada pour service en français:

**1-800-LE-FOYER<sup>MC</sup>**

(1-800-533-6937)

[www.sears.ca](http://www.sears.ca)

# SEARS

® Registered Trademark / <sup>TM</sup> Trademark / <sup>SM</sup> Service Mark of Sears, Roebuck and Co.

® Marca Registrada / <sup>TM</sup> Marca de Fábrica / <sup>SM</sup> Marca de Servicio de Sears, Roebuck and Co.

<sup>MC</sup> Marque de commerce / <sup>MD</sup> Marque déposée de Sears, Roebuck and Co.

© Sears, Roebuck and Co.

Warranty

Safety

Operation

Cleaning

Installation

Service Parts

# LEA Y CONSERVE ESTAS INSTRUCCIONES

## ÍNDICE

SECCIÓN	PÁGINA
Garantía .....	14
Instrucciones de seguridad .....	14
Funcionamiento .....	15
Limpieza .....	15
Piezas incluidas en la campana .....	16
Piezas no incluidas en la campana .....	16
Herramientas necesarias .....	16
Sistema de campanas de cocina de la serie 51000 .....	17
Tabla de longitudes equivalentes de tubo .....	18
Preparación de la ubicación de la campana .....	19
Preparación de la campana .....	20
Instalación de la campana .....	21
Conexión del cableado .....	22
Finalización de la instalación .....	22
Cambio de bombillas .....	22
Instalación de los filtros .....	23
Piezas .....	24

## GARANTÍA

Si durante 1 año a partir de la fecha de instalación, una pieza de esta campana no funcionara debidamente debido a un defecto de material o de mano de obra, Sears reparará la pieza o entregará e instalará una nueva, sin gastos.

### **GARANTÍA COMPLETA DE 30 DÍAS SOBRE EL ACABADO EN LAS PIEZAS METÁLICAS PINTADAS O BRILLANTES.**

Si, durante 30 días a partir de la fecha de instalación, el acabado de cualquier pieza metálica pintada o brillante de esta campana mostrara un defecto de material o de mano de obra, Sears entregará e instalará una pieza nueva, sin gastos.

### **EL SERVICIO DE GARANTÍA SÓLO PUEDE SOLICITARSE COMUNICANDO CON EL CENTRO DE SERVICIO O DEPARTAMENTO DE SEARS MÁS PRÓXIMO EN ESTADOS UNIDOS.**

Esta garantía sólo se aplica cuando el producto se utilice en Estados Unidos. Esta garantía le otorga derechos jurídicos específicos independientes de los que pueda tener según el estado en el que resida.

Sears, Roebuck and Co., Dept. 817WA, Hoffman Estates, IL 60179

## INSTRUCCIONES DE SEGURIDAD

### **⚠ CONCEBIDO SÓLO PARA USO DOMÉSTICO ⚠**

### **ADVERTENCIA ⚠ ⚠**

#### **PARA REDUCIR EL RIESGO DE INCENDIO, DESCARGA ELÉCTRICA O LESIÓN CORPORAL, RESPETE LAS SIGUIENTES INDICACIONES:**

1. Utilice este aparato únicamente de la forma en que indica el fabricante. Si tiene cualquier pregunta, comuníquese con el fabricante en la dirección que aparece en la garantía.
2. Antes de reparar o limpiar el aparato, apáguelo en el tablero de servicio y bloquee los medios de desconexión para impedir que la corriente se conecte accidentalmente. Cuando no se pueda bloquear los medios de desconexión, coloque un dispositivo de advertencia visible (como una etiqueta) en el tablero de servicio.
3. La instalación y la conexión eléctrica deben ser realizadas por personal competente de acuerdo con todos los códigos y normas aplicables, incluso los relativos a la construcción ignífuga.
4. Para lograr una combustión adecuada y una extracción correcta de los gases a través de la salida del humo (chimenea) del equipo quemador de combustible - evitando así el contratiempo - es necesario disponer de aire suficiente. Siga las directrices del fabricante del equipo de material térmico y las normas de seguridad, como las que publica la NFPA (asociación de protección contra los incendios), y la ASHRAE (sociedad estadounidense de técnicos de calefacción, refrigeración y aire acondicionado) así como los códigos de los organismos responsables locales.
5. Al cortar o perforar la pared o el techo, procure no dañar el cableado eléctrico ni otras instalaciones de servicios públicos.
6. No utilice este aparato con un dispositivo de control de velocidad con semiconductores.
7. Los ventiladores entubados deben tener salida siempre al exterior.
8. Para reducir el riesgo de incendio, utilice sólo tuberías de acero.
9. Este aparato debe conectarse a tierra.

#### **PARA REDUCIR EL RIESGO DE QUE ARDA LA GRASA EN LA PARTE SUPERIOR DE LA COCINA:**

### **ADVERTENCIA ⚠ ⚠**

#### **PARA REDUCIR EL RIESGO DE LESIONES CORPORALES EN EL CASO DE QUE ARDA LA GRASA EN LA PARTE SUPERIOR DE LA COCINA, SIGA ESTAS INDICACIONES\*:**

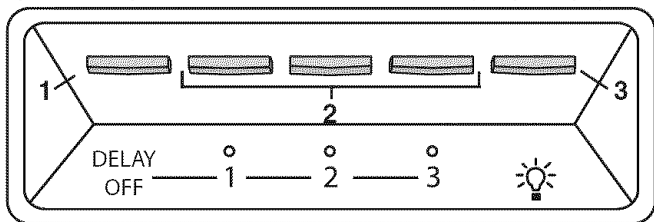
1. SOFOQUE LAS LLAMAS con una tapa ajustada, una hoja o bandeja metálica para hornear galletas, y apague luego el quemador. TENGA CUIDADO PARA EVITAR QUEMADURAS. Si las llamas no se apagan inmediatamente, EVACUE EL LUGAR Y LLAME A LOS BOMBEROS.
  2. NO SUJETE NUNCA UN RECIPIENTE EN LLAMAS ya que podría quemarse.
  3. NO USE AGUA, ni trapos o toallas húmedos. Podría causar una violenta explosión de vapor.
  4. Utilice un extintor SOLAMENTE si:
    - A. Tiene un extintor de tipo ABC y sabe usarlo.
    - B. El incendio es pequeño y está circunscrito a la zona donde empezó.
    - C. Ya ha llamado a los bomberos.
    - D. Puede tratar de apagar el fuego si dispone siempre de una salida detrás de usted.
- \* Fuente: "Kitchen Fire Safety Tips" publicado por la NFPA.

### **PRECAUCIÓN ⚠**

1. Sólo para ventilación general. No debe utilizarse para extraer materiales o vapores peligrosos o explosivos.
2. Para evitar daños en el cojinete del motor y que la hélice haga ruido o se desequilibre, mantenga la unidad de alimentación lejos de los vaporizadores de pirca, del polvo de la construcción, etc.
3. El motor de la campana tiene un dispositivo contra sobrecargas térmicas que apaga el motor automáticamente si éste se sobrecalienta. El motor volverá a ponerse en marcha cuando se enfríe. Si el motor sigue apagándose y encendiéndose, haga examinar la campana.
4. Para que la campana capte mejor las impurezas que se desprenden al cocinar, la base de la campana ha de estar a una distancia mínima de 24 pulgadas (30 pulgadas si se trata de un cocina de gas), y a una máxima de 30 pulgadas (36 pulgadas si se trata de un cocina de gas) con respecto a la superficie sobre la que se cocina.
5. Para reducir los riesgos de incendio y extraer el aire debidamente, el aire debe evacuarse fuera. No extraiga el aire a espacios situados entre las paredes, en el techo o en el desván, falso techo o garaje.
6. Este producto está equipado con un termostato que puede poner en marcha el ventilador automáticamente. Para reducir el riesgo de que se produzcan daños y evitar poner en marcha la alimentación accidentalmente, apague la corriente en el tablero de servicio, bloquee este tablero o ponga una etiqueta de advertencia.
7. Para reducir el riesgo de incendio y de choque eléctrico, las campanas de la serie PRO 51000 de Kenmore deben instalarse únicamente con los ventiladores impelentes 51200, 51600 o 57745 y no deben sustituirse por otros ventiladores. Los ventiladores impelentes se venden aparte.)
8. Para mayor información y conocer los requisitos, lea la etiqueta con las especificaciones en el producto.

## FUNCIONAMIENTO

Ponga en marcha siempre la campana antes de empezar a cocinar para generar una corriente de aire en la cocina. Deje en marcha el ventilador durante unos minutos para renovar el aire una vez que haya apagado la cocina. Esto ayudará a que toda la cocina esté más limpia y despejada.



HC0029

1. Interruptor de parada diferida del ventilador
2. Interruptores de encendido, apagado y velocidades del ventilador
3. Interruptor de las luces halógenas

Cuando el ventilador esté encendido, apriete en este botón (número 1 en el diagrama anterior) para activar la función de parada diferida. El ventilador funcionará con su nivel de potencia durante 5 minutos para luego apagarse automáticamente. Cuando la función de parada diferida está activada, el diodo que indica la velocidad parpadea lentamente para indicarlo. Para cancelar la función de parada diferida, pulse de nuevo el interruptor de parada diferida y el ventilador funcionará en modo normal. Para detener el ventilador y la función de parada diferida, presione en la velocidad del ventilador que se haya activado.

**Velocidad del ventilador:** El ventilador tiene 3 velocidades. Presione una vez en el botón 1 para activar el ventilador a velocidad baja, en el botón 2 para la velocidad mediana y en el 3 para la velocidad alta. Una vez activada la velocidad, se encenderá el diodo correspondiente. Para detener el ventilador, presione de nuevo en la velocidad que haya activado.

**NOTA:** Si el ventilador está apagado, al presionar la velocidad 1 se pondrá en marcha a velocidad alta durante un instante para luego continuar con la velocidad 1.

### TERMOSTATO HEAT SENTRY™

La campana viene equipada con un termostato HEAT SENTRY™. Se trata de un dispositivo que pone en marcha o acelera el ventilador cuando detecta un calor excesivo sobre la superficie sobre la que se cocina.

- 1) Si el ventilador está APAGADO, el termostato lo pondrá en marcha en la velocidad 3 y el diodo situado sobre la velocidad 3 parpadeará rápidamente. Cuando la temperatura baje a la normal, el ventilador volverá a su posición original (apagado) y el diodo se apagará.
- 2) Si el ventilador está ENCENDIDO en una velocidad inferior, el termostato lo pondrá en la velocidad ALTA y el diodo situado sobre la velocidad 3 parpadeará rápidamente. Cuando la temperatura baje a un nivel normal, el ventilador seguirá funcionando en la velocidad ALTA pero el diodo dejará de parpadear y permanecerá encendido.



**ADVERTENCIA: El termostato HEAT SENTRY™ puede poner en marcha el ventilador aunque la campana esté apagada. Cuando esto ocurra, si desea detener el ventilador, presione en el botón de velocidad 3 durante más de 2 segundos.**

**Interruptor de luces halógenas:** Presione este botón (número 3 en el diagrama anterior) para controlar las luces halógenas. Presione una vez para una luz de baja intensidad, dos veces para intensidad mediana y tres veces para lograr la máxima intensidad. Si presiona otra vez apagará las luces.

**NOTA:** La intensidad de la luz cambia gradualmente entre los ajustes. Utilice bombillas halógenas GU10 de 50 W (incluidas; consulte la página 16 para informarse sobre los pedidos).

**Reglaje de la memoria:** Para memorizar una intensidad de luz determinada, presione y mantenga presionado el botón de las luces halógenas durante 2 segundos en la intensidad de luz que desee. Las luces se apagaran. La próxima vez que presione este botón, la luz se encenderá con la intensidad establecida anteriormente.

**NOTA:** Todo cambio en la intensidad de la luz restaurará la memoria.

## LIMPIEZA

### Filtros

Los filtros deben limpiarse con frecuencia. Utilice una disolución de detergente con agua templada. Los filtros se pueden lavar en el lavavajillas.

Lávelos con mayor frecuencia si su tipo de cocina genera más grasa (alimentos fritos o cocina con wok).

Retire los filtros empujándolos hacia la parte delantera de la campana y girándolos hacia abajo.

### Limpeza del ventilador

Retire los filtros para tener acceso al ventilador. Limpie el ventilador con un aspirador. No lo sumerja en agua. Consulte el manual de instrucciones del ventilador para mayor información.

### Limpeza de la campana

**Limpeza del acero inoxidable:** Para que la campana siga teniendo un "ASPECTO BRILLANTE"

#### Debe hacerse:

- Limpiar regularmente las superficies con un trapo limpio humedecido con una mezcla de agua templada y jabón suave o detergente para la vajilla.
- Limpiar siempre en la dirección de las líneas originales de pulido del acero.
- Enjuagar siempre con agua limpia (2 o 3 veces) después de limpiar. Seque completamente.
- También puede utilizar un limpiador doméstico especial para acero inoxidable.

#### No debe hacerse:

- Utilizar un estropajo de acero o de acero inoxidable u otro tipo de rasquetas para quitar la suciedad resistente.
- Utilizar limpiadores fuertes o abrasivos.
- Dejar que la suciedad se acumule.
- Dejar que el polvo del mortero u otros residuos de la construcción manchen la campana. Si efectúa obras de construcción o renovación, cubra la campana para que no se manche la superficie de acero inoxidable.

#### Al escoger un detergente, evite:

- Los limpiadores que contienen **blanqueador** (lejía); ya que dañarán el acero inoxidable.
- Los productos que contengan **cloruro, fluoruro, yoduro y bromuro**, ya que deterioran las superficies rápidamente.
- Los productos combustibles que se emplean para la limpieza, como **acetona, alcohol, éter, benzol**, etc., ya que son altamente explosivos y nunca deberían estar cerca de una cocina.

Garantía

Seguridad

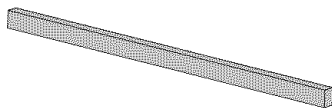
Operación

Limpeza

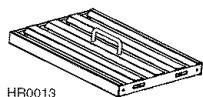
Instalación

Piezas de servicio

## PIEZAS INCLUIDAS



**Regleta de montaje de madera**  
(atornillada en la parte trasera de la campana)



HR0013

**Filtro**  
(3 para campana)



### Bolsa de piezas

(4 tornillos de cabeza plana n.º 10 de 2 pulg., 8 tornillos n.º 8 de ¾ pulg., 4 tuercas n.º 10-32, 2 dispositivos de sujeción mural y 2 arandelas de 3/16 pulg. de diámetro interior x ¾ pulg. de diámetro exterior)



HR0012

### Bombillas halógenas protegidas MR 16 de 120 Voltios, 50 W, con base GU10 o PAR 16 con base GU10

(3 para la campana de 30 pulg., 4 para la de 36 pulg.) N.º de pieza Sears V05921

## PIEZAS NO INCLUIDAS

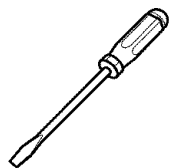
### Accesorios para tubos

(consúltese la sección "Sistema de campanas de cocina de la serie 51000" en la página 17 para ver los números de modelo de los accesorios para tubos.)

### Ventilador (interior o exterior)

(consúltese la sección "Sistema de campanas de cocina de la serie 51000" en la página 17 para ver los números de modelo de los ventiladores.)

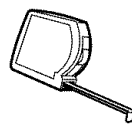
## HERRAMIENTAS NECESARIAS PARA LA INSTALACIÓN



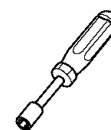
**Destornillador**  
(Robertson o Phillips)



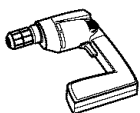
**Lápiz**



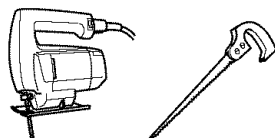
**Cinta métrica**



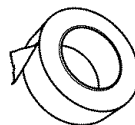
**Llave para tuercas de 3/8 pulg.**



**Taladro**



**Sierra de puñal - o - Serrucho de calar**



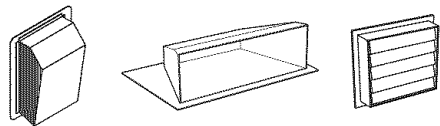
**Cinta para conductos**



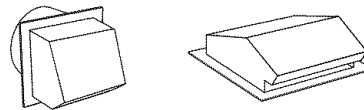
**Desferrador de hilos**

# SISTEMA DE CAMPANAS DE COCINA DE LA SERIE 51000

Capuchones murales y de tejado, Ventilador exterior

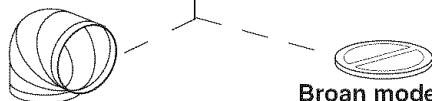


**Pieza Sears número 57745** Ventilador exterior de 1200 pcm  
**Broan modelo 437** Capuchón de alta capacidad para tejado  
**Broan modelo 441** Capuchón mural redondo de 10 pulg.

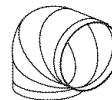


**Broan modelo 647** Capuchón mural redondo de 7 pulg.  
**Pieza Sears número 59091** Capuchón para tejado

Codos y Dispositivos de cierre en la tubería

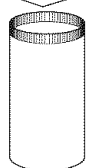


**Broan modelo 418** Codo ajustable redondo de 10 pulg.  
**Broan modelo 421** Dispositivo de cierre vertical y redondo en la tubería de 10 pulg.



**Broan modelo 415** Codo ajustable redondo de 7 pulg.

Tuberías

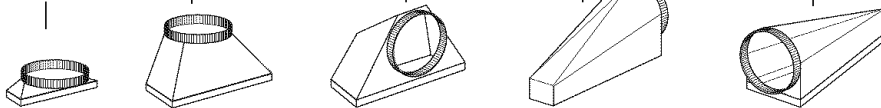


**Broan modelo 410** Tubo redondo de 10 pulg. (secciones de 2 pies)



**Broan modelo 407** Tubo redondo de 7 pulg. (secciones de 2 pies)

Elija 1 de los 5 cambios de sección de descarga



**Broan modelo 427** (redondo de 4 ½ pulg. x 18 ½ pulg. a 10 pulg., 6 pulg. de altura, lateral)  
**Broan modelo 423** (redondo de 4 ½ pulg. x 18 ½ pulg. a 10 pulg., vertical)  
**Broan modelo 424** (redondo de 4 ½ pulg. x 18 ½ pulg. a 10 pulg., horiz., delantero y trasero)  
**Broan modelo 454** (redondo de 4 ½ pulg. x 18 ½ pulg. a 10 pulg., horiz., horiz./derecha)  
**Broan modelo 453** (redondo de 4 ½ pulg. x 18 ½ pulg. a 10 pulg., horiz., horiz./izquierda.)

Recubrimiento decorativo de conducto de humos opcional  
**Número de pieza Sears**  
 51012  
 51024  
 51036

**Pieza Sears número 58140**  
**Placa del ventilador**  
 (utilícese con el ventilador exterior 57745)

Elija 1 de los 3 sistemas de ventiladores

**Pieza Sears número 51200**  
**Conjunto de ventilador/Placa del ventilador**  
 (Ventilador interior de 1200 pcm y placa del ventilador)

**Pieza Sears número 51600**  
**Conjunto de ventilador/Placa del ventilador**  
 (Ventilador interior de 600 pcm y placa del ventilador)

**Campana de la serie 51000**  
 (Dosel con mandos del ventilador y luces. Necesaria para todas las instalaciones.)

**LOS NÚMEROS DE PIEZAS DE SEARS** los podrá conseguir en la tienda Sears más cercana, en línea en Sears.com o en el catálogo de piezas de Sears telefoneando al 1-800-366-7278. Para los modelos de Broan, telefóneese al 1-800-558-1711.

Garantía

Seguridad

Operación


Limpieza

Instalación


Piezas de servicio

## TABLA DE LONGITUDES EQUIVALENTES DE TUBO


Las campanas de Kenmore han sido diseñadas para funcionar eficazmente cuando están conectadas con tubos largos. A modo de referencia, esta campana funcionará aproximadamente al 80 % de su rendimiento evaluado cuando esté conectada con el equivalente de 100 pies de tubo redondo de 7 pulgadas de diámetro (para ventiladores de 600 pies cúbicos por minuto) o con el equivalente de 125 pies de tubo redondo de 10 pulgadas de diámetro (para ventiladores de 1200 pies cúbicos por minuto). Utilice esta tabla para calcular la longitud equivalente de tubos de su sistema. Tenga en cuenta que el tubo redondo de 7 pulgadas es el tamaño mínimo que se aconseja para los ventiladores de 600 pies cúbicos por minuto, mientras que el tubo de 10 pulgadas es el tamaño mínimo aconsejado para los ventiladores de 1200 pies cúbicos por minuto.



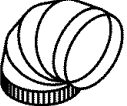
**Broan modelo 407**  
Tubo recto  
7 pulg. de diámetro x 2 pies  
de largo  
Longitud equivalente  
**2 pies**




**Broan modelo 410**  
Tubo recto  
10 pulg. de diámetro x 2 pies  
de largo  
Longitud equivalente  
**2 pies**



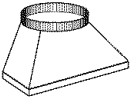
**Broan modelo 415**  
Codo redondo de 7 pulg.  
Longitud equivalente  
**8 pies**



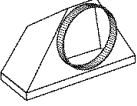
**Broan modelo 418**  
Codo redondo  
de 10 pulg.  
Longitud equivalente  
**10 pies**



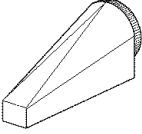
**Broan modelo 427**  
Cambio de sección  
redondo lateral de  
4 ½ pulg. x 18 ½ pulg. a  
10 pulg.,  
altura de 6 pulg.  
Longitud equivalente  
**2 pies**



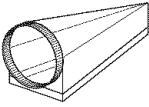
**Broan modelo 423**  
Cambio de sección  
redondo vertical de  
4 ½ pulg. x 18 ½ pulg.  
a 10 pulg.  
Longitud equivalente  
**2 pies**



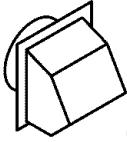
**Broan modelo 424**  
Cambio de sección  
redondo 4 ½ pulg. x  
18 ½ pulg. a  
10 pulg., horizontal,  
delantero y trasero  
Longitud equivalente  
**10 pies**



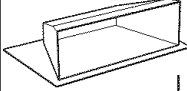
**Broan modelo 454**  
Cambio de sección  
redondo 4 ½ pulg. x  
18 ½ pulg. a 10 pulg.,  
horizontal, derecha  
Longitud equivalente  
**12 pies**



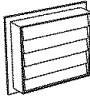
**Broan modelo 453**  
Cambio de sección  
redondo 4 ½ pulg. x  
18 ½ pulg. a 10 pulg.,  
horizontal, izquierda  
Longitud equivalente  
**12 pies**



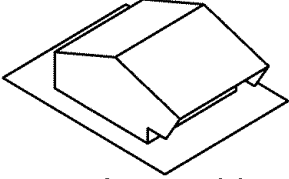
**Broan modelo 647**  
Capuchón mural  
redondo de 7 pulg.  
Longitud equivalente  
**30 pies**  
(15 pies sin dispositivo  
de cierre)



**Broan modelo 437**  
Capuchón para  
tejado de 10 pulg.  
Longitud equivalente  
**40 pies**  
(25 pies sin dispositivo  
de cierre)



**Broan modelo 441**  
Capuchón mural  
redondo de 10 pulg.  
Longitud equivalente  
**40 pies**  
(25 pies sin dispositivo  
de cierre)



**Sears modelo 59091**  
Capuchón para  
tejado (tubos redondos de 7 pulg.)  
Longitud equivalente  
**30 pies**  
(7 pies sin dispositivo de cierre)

**LOS NÚMEROS DE PIEZAS DE SEARS** los podrá conseguir en la tienda Sears más cercana, en línea en [Sears.com](http://Sears.com) o en el catálogo de piezas de Sears telefoneando al 1-800-366-7278. Para los modelos de Broan, telefóne al 1-800-558-1711.

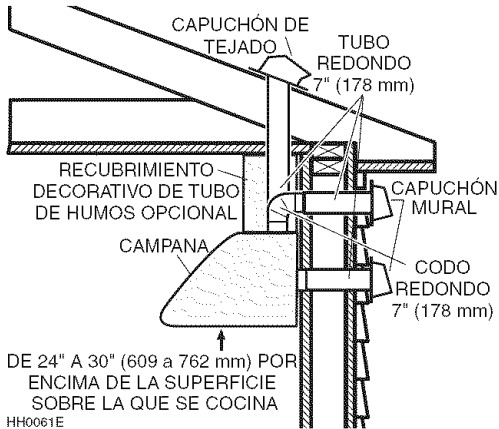


# PREPARACIÓN DE LA UBICACIÓN DE LA CAMPANA

1. Las campanas de la serie PRO 51000 de Kenmore deben instalarse con los ventiladores interiores 51200 o 51600 o con el ventilador exterior 57745, que no deben sustituirse por otros ventiladores. Los ventiladores se venden aparte. Planifique el lugar y la forma en que se instalarán los tubos. Instale tubos, cambios de sección, codos y capuchones de tejado o murales de tamaños adecuados al modelo de ventilador. Para lograr mejores resultados, utilice la menor cantidad posible de cambios de sección y codos.

2. Abajo se indican las dimensiones para las instalaciones más habituales.

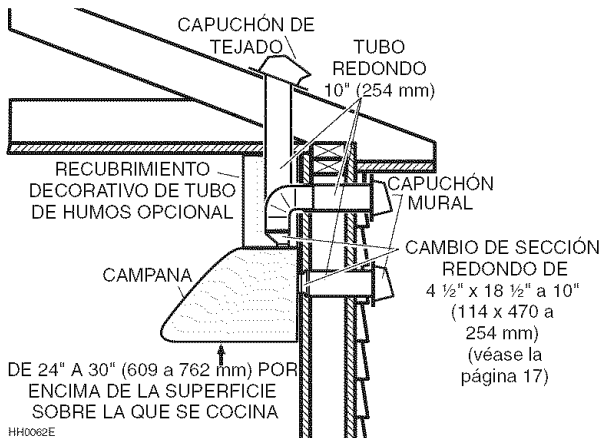
Ajuste las medidas a los distintos tipos de altura del techo, recubrimientos decorativos, armarios o superficies de cocción. **Para un funcionamiento adecuado, la campana ha de estar a una distancia mínima de 24 pulgadas (30 pulgadas si se trata de un cocina de gas), y a una máxima de 30 pulgadas (36 pulgadas si se trata de un cocina de gas) con respecto a la superficie sobre la que se cocina.**



DE 24" A 30" (609 a 762 mm) POR ENCIMA DE LA SUPERFICIE SOBRE LA QUE SE COCINA

HH0061E

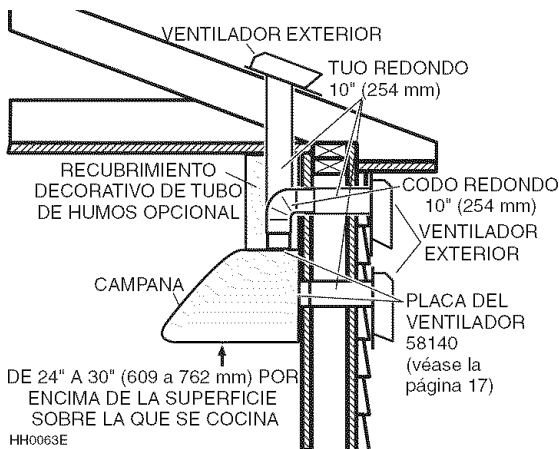
## INSTALACIÓN HABITUAL DEL MODELO 51600 CON UN VENTILADOR



DE 24" A 30" (609 a 762 mm) POR ENCIMA DE LA SUPERFICIE SOBRE LA QUE SE COCINA

HH0062E

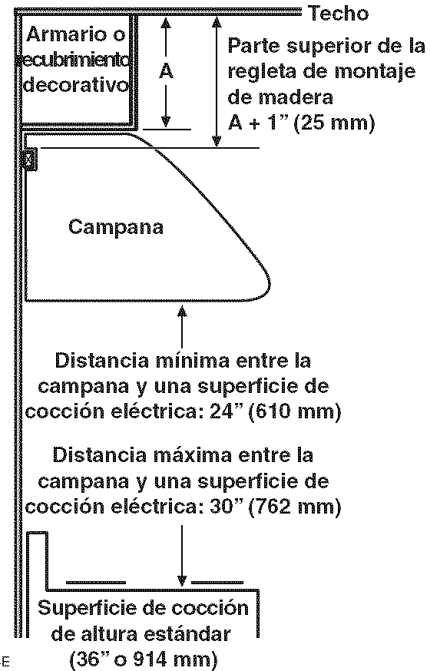
## INSTALACIÓN HABITUAL DEL MODELO 51200 CON DOS VENTILADORES



DE 24" A 30" (609 a 762 mm) POR ENCIMA DE LA SUPERFICIE SOBRE LA QUE SE COCINA

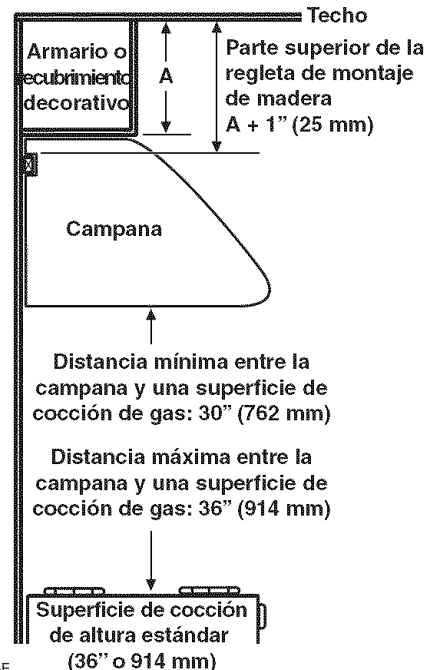
HH0063E

## INSTALACIÓN HABITUAL DEL MODELO 57745 CON VENTILADOR EXTERIOR



HH0064E

## DISTANCIA MÍNIMA Y MÁXIMA ENTRE LA CAMPANA Y LA SUPERFICIE DE COCCIÓN (COCINA ELÉCTRICA)



HH0065E

## DISTANCIA MÍNIMA Y MÁXIMA ENTRE LA CAMPANA Y LA SUPERFICIE DE COCCIÓN (COCINA DE GAS)

Garantía

Seguridad

Operación

Limpieza

Instalación

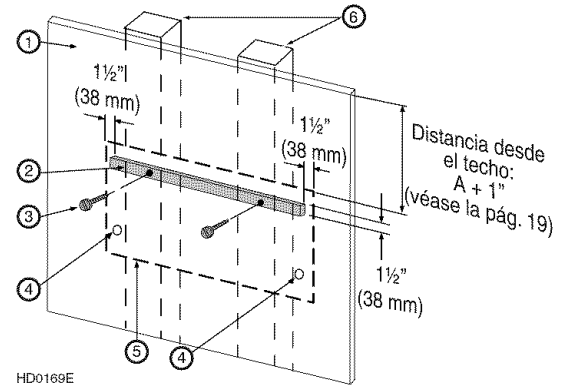
Piezas de servicio

## PREPARACIÓN DE LA CAMPANA

1. Mida y marque una línea a nivel en la pared por encima de la superficie de cocción para la regleta de montaje (vease la ilustración de la derecha y la de la etapa 2 de la página 19). Destornilla la regleta de montaje de la campana y tira los tornillos. Utilice los **tornillos de cabeza plana n.º 10 de 2"** (incluidos en la bolsa de piezas) para fijar la **regleta de montaje** en el panel mural. Procure fijarla a los postes murales.



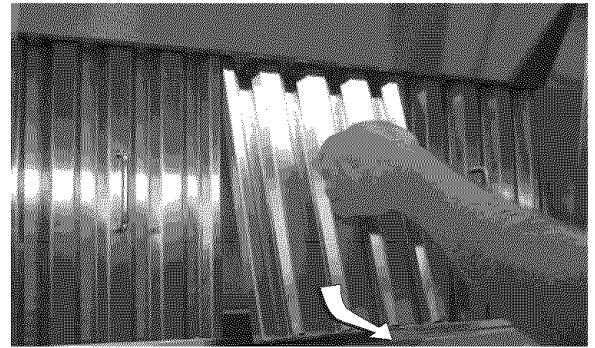
**PRECAUCIÓN:** Dado el peso de esta campana, compruebe que la regleta de montaje esté sujeta a todos los postes murales disponibles (2 al menos para una campana de 30", más para una campana de 36") y no sólo al panel mural.



HD0169E

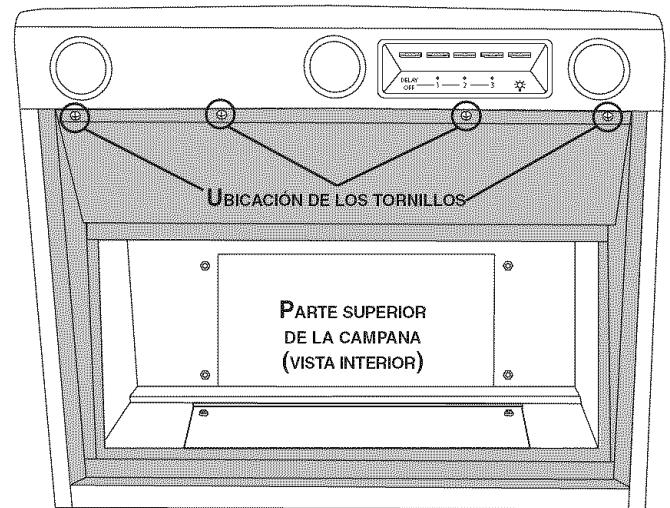
1. Panel mural
2. Regleta de montaje de madera
3. Tornillo de cabeza plana
4. Ubicación de los dispositivos de sujeción mural
5. Contorno de la parte trasera de la campana
6. Postes murales

2. Retire los filtros de la campana y póngalos a un lado.



HD0172

3. Utilice un destornillador Phillips n.º 2 o Robertson n.º 2 para quitar los 4 tornillos que sujetan la placa a la campana (la placa es la pieza sombreada de la ilustración) y póngalos a un lado.



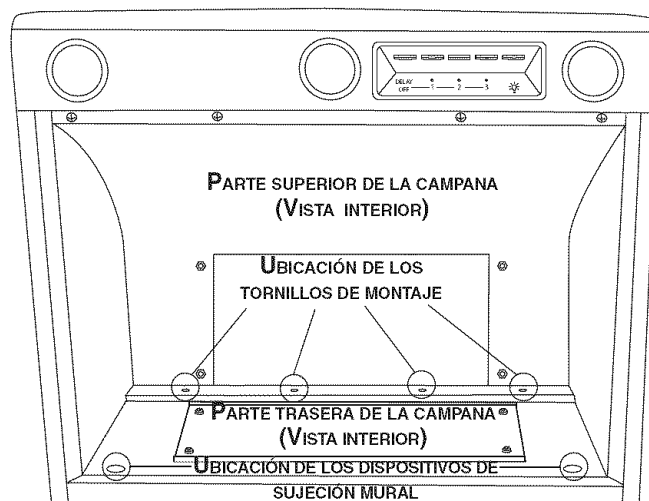
HD0170

# INSTALACIÓN DE LA CAMPANA

1. Coloque el hueco trasero de la campana sobre la regleta de montaje de madera.

**PRECAUCIÓN:** Sujete la campana hasta que esté totalmente asentada contra la regleta de montaje.

Sujete la campana a la regleta de montaje colocando los (4)  **tornillos n.º 8 de 3/4 pulg.** provistos en los lugares que se muestran. Perfore (2) agujeros de 3/16 de pulg. en el panel mural para los dispositivos de sujeción mural a través de los agujeros ya hechos en los lugares que se muestran en la parte trasera interior de la campana. A continuación, instale los (2)  **dispositivos de sujeción mural** y sujete la campana a dichos dispositivos mediante los demás  **tornillos n.º 8 de 3/4 pulg.** y las (2)  **arandelas** provistas.



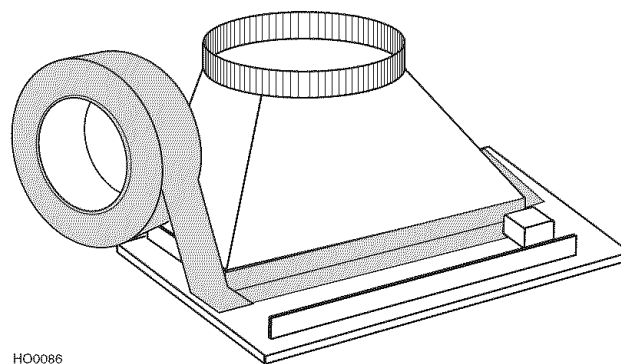
HD0171

2. Sujete el cambio de sección (de ser necesario) a la placa del ventilador. Consulte la página 17 para ver los modelos disponibles.

Utilice cinta adhesiva para conductos para cerrar las juntas y hacerlas herméticas.

## NOTA

La placa del modelo 51600 se conecta directamente a un tubo redondo de 7 pulg., sin necesidad de cambio de sección. El ventilador exterior modelo 57745 utiliza la placa de ventilador modelo 58140 que se conecta directamente a un tubo redondo de 10 pulg. sin necesidad de cambio de sección.



HO0086

3. Lleve el cable de alimentación hasta el lugar de la instalación. Consulte las instrucciones que vienen con el ventilador o con la placa del ventilador (vendidos aparte) para ver cómo se instala la placa del ventilador. Instale la placa de manera que la caja de conexiones esté situada a la derecha cuando usted esté frente a la campana.

Para pasar el tubo por la parte trasera de la campana, quite la placa que viene con la campana por la parte interior trasera y colóquela en la parte superior interior de la campana para cubrir el hueco. Sujétela a los pernos con rosca con la mismas (4) tuercas.

Para pasar el tubo por la parte superior de la campana, deje en su sitio la placa que ya viene con la campana en la parte interior trasera de la campana.

Conecte el tubo al cambio de sección o a la placa del ventilador al instalar la placa. Utilice cinta adhesiva para conductos para cerrar las juntas y hacerlas herméticas.



HO0087

Garantía

Seguridad

Operación

Limpieza

Instalación

Piezas de servicio

## CONEXIÓN DEL CABLEADO



**ADVERTENCIA: Riesgo de choque eléctrico. La conexión eléctrica debe hacerla personal competente con arreglo a los códigos y normas en vigor. Antes de conectar los hilos, corte la alimentación en el tablero de servicio y bloquee los medios de desconexión para impedir que la corriente se conecte accidentalmente.**

1. Retire la tapa del cableado de la placa del ventilador y póngala a un lado.
2. Quite la pieza desmontable apropiada de la placa del ventilador. Al instalar la placa del ventilador, introduzca 6 pulg. de cable de alimentación a través de la abertura de la pieza desmontable y sujete el cable a la caja de conexiones con los conectadores adecuados.
3. Conecte el hilo NEGRO con el NEGRO, el BLANCO con el BLANCO y el VERDE o desnudo con el tornillo de tierra VERDE. Vuelva a instalar la tapa del cableado.

## FINALIZACIÓN DE LA INSTALACIÓN

### OPCIÓN

Para responder a sus necesidades, dispone de 3 modelos de recubrimientos decorativos para esconder el tubo si la campana no se instala debajo de un armario.

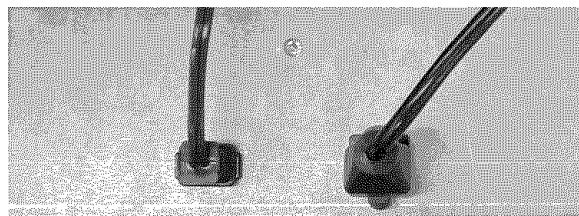
El modelo 51012 de 12 pulg. de alto está previsto para cocinas con techos de 8 pies de altura; el modelo 51024 de 24 pulg. de alto está destinado a las cocinas de 9 pies de altura y el modelo 51036 de 36 pulg. de alto es para las cocinas de 10 pies de altura. Consulte las instrucciones que vienen con el recubrimiento decorativo.

**Consulte la página 17 para información sobre pedidos.**

1. Para instalar el ventilador, consulte las instrucciones que vienen con él o con la placa del ventilador. Una vez instalado, enchufe el ventilador a la toma de corriente hembra y el cable de alimentación al conector macho dentro de la campana. NO enchufe los dos cables uno con otro.

**Véase la página 17 para mayor información sobre el ventilador o la placa del ventilador.**

2. Instale la placa que quitó anteriormente en la parte interior de la campana y sujétela con los 4 tornillos.



HE0078

## CAMBIO DE BOMBILLAS



**ADVERTANCIA: Para prevenir el riesgo de lesiones corporales, no instale bombillas identificadas sólo para uso en dispositivos encerrados.**

Esta campana debe utilizar bombillas halógenas protegidas de tipo MR16, de 120 V y 50 W con base GU10 o PAR 16 con base GU10 (incluidas).

**Para pedidos, consulte la página 16.**



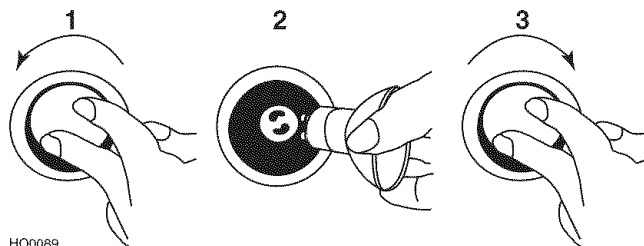
**ADVERTANCIA: Para prevenir el riesgo de lesiones corporales, deje que las bombillas halógenas se enfríen antes de quitarlas.**

1. Para quitar las bombillas, empuje suavemente hacia arriba y gire en sentido antihorario para liberar el casquillo de sus ranuras.

### NOTA

De ser necesario, utilice un guante de caucho para lavar los platos para sujetar mejor la bombilla y sacarla.

2. Instale las bombillas nuevas colocando los casquillos de las bombillas en sus ranuras, en los portalámparas.
3. Empuje suavemente hacia arriba y gire al mismo tiempo en el sentido horario hasta que queden bien afianzadas.



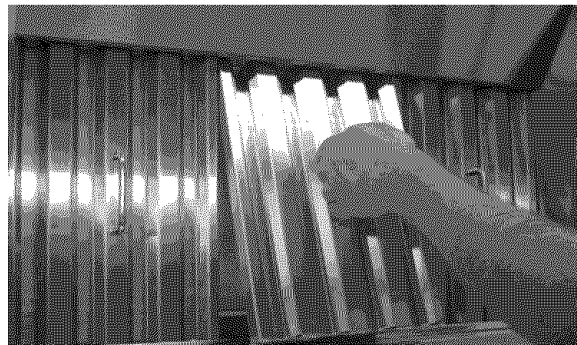
HO0089

## INSTALACIÓN DE LOS FILTROS



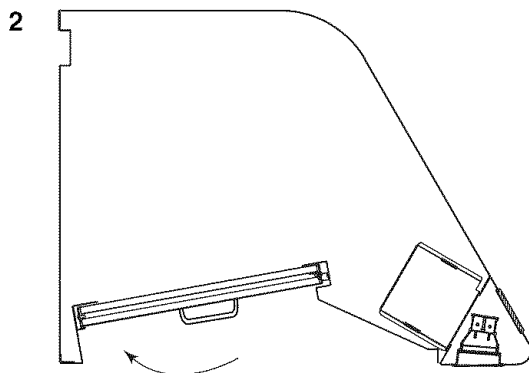
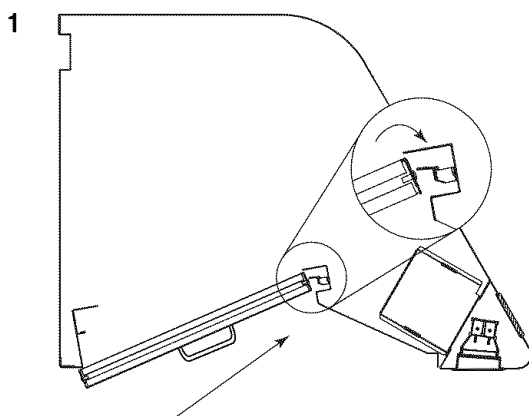
**PRECAUCIÓN:** Retire la película protectora de plástico que cubre los filtros antes de instalar éstos.

Se aconseja instalar primero los filtros laterales y terminar con el filtro central.



HD0172

- 1) Introduzca un extremo del filtro en la campana. Empuje hacia la parte delantera de la campana para que el clip de retención se introduzca en las ranuras del borde del filtro.
- 2) Levante el extremo inferior hacia el interior de la campana hasta que el filtro se quede afianzado en su posición.



HD0173

Existen filtros de recambio.  
Consulte la última página para los pedidos.

Garantía

Seguridad

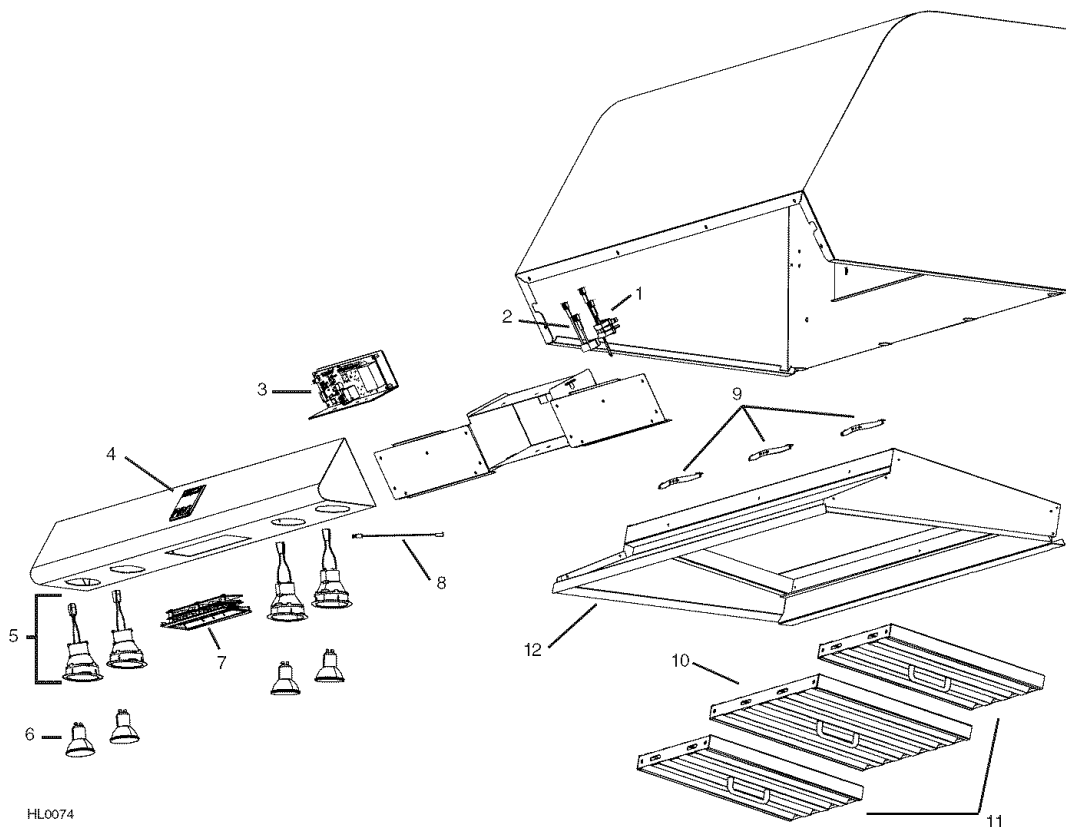
Operación

Limpieza

Instalación

Piezas de servicio

# PIEZAS



HL0074

N.º	N.º DE PIEZA	DESCRIPCIÓN	30" DE ANCHO	36" DE ANCHO
1	V13924	Conector macho	1	1
2	V13923	Conector hembra	1	1
3	V07452	Procesador principal	1	1
4	V07679	Logotipo Kenmore PRO	1	1
5	V16569	Conjunto de la lámpara	3	4
6	V05921	Bombilla halógena (50 W, 120 V, PAR 16, GU-10)	3	4
7	V07664	Módulo de control electrónico	1	1
8	V06138	Termostato Heat Sentry	1	1
9	V05528	Clip del filtro	3	3
10	V16682	Filtro 11.25" x 12.50"	-	1
11	V16679	Filtro 8.93" x 12.50"	3	2
12	V16688	Montaje de cuadro interior (incluye arte clave n.º 9) 30" x 18" x 24"	1	-
	V16693	Montaje de cuadro interior (incluye arte clave n.º 9) 36" x 18" x 24"	-	1
*	V07678	Cableado	1	1
*	V07800	Manual de instalación de Kenmore PRO	1	1
*	V12971	Bolsa con piezas para la instalación (4 tornillos n.º 10 de 2" de cabeza plana, 8 tornillos n.º 8 de 3/4", 4 tuercas n.º 10-32, 2 dispositivos de sujeción mural, 2 arandelas de 3/16" DI x 3/4" DE)	1	1

Pida las piezas de repuesto mencionando el N.º DE PIEZA - no el N.º DE REFERENCIA.

\*Este componente no se muestra.

