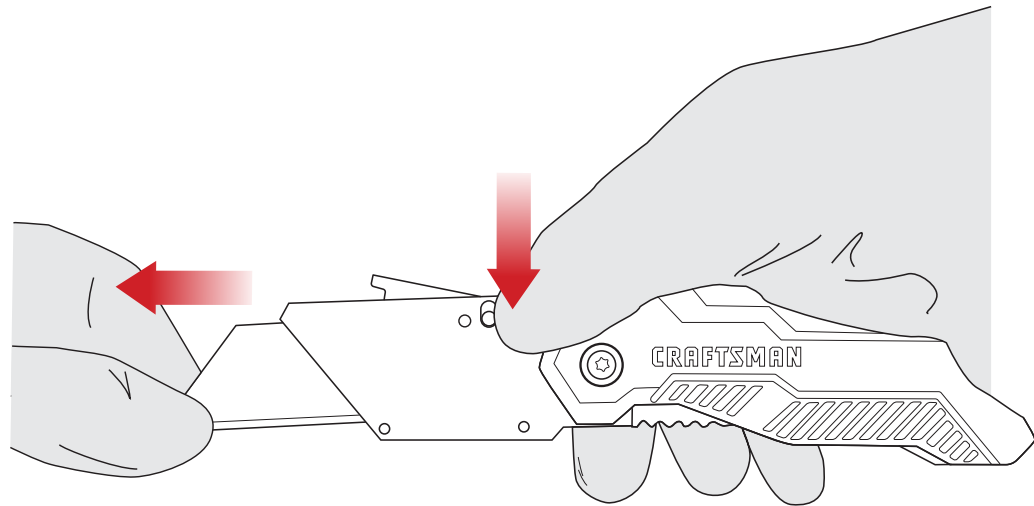
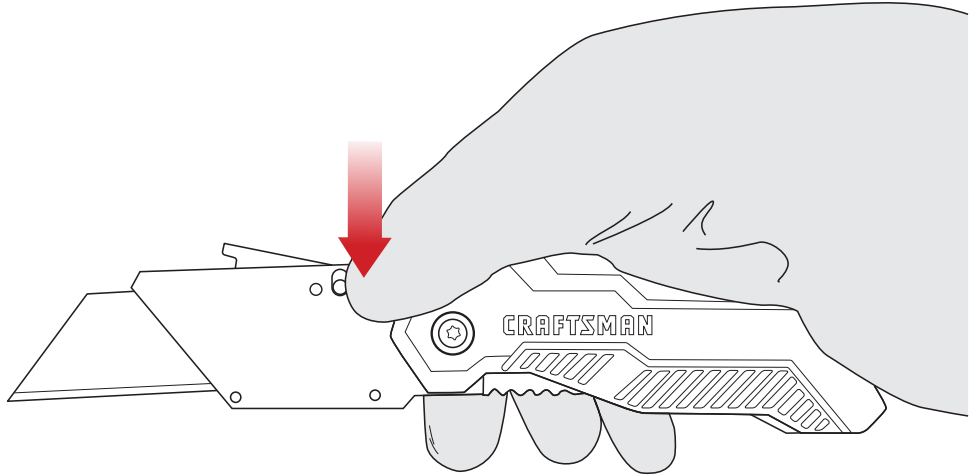


1

**PUSH AND HOLD BLADE CHANGE BUTTON
DOWNWARDS, PULL BLADE OUT**



2

PUSH AND HOLD BUTTON, INSERT NEW BLADE

