

SONANCE | *James*

POWERPIPE X SERIES

PPX8 | PPX8-M | PPX10 | PPX10-M | PPX12 | PPX12-M | PPX15 | PPX15-M

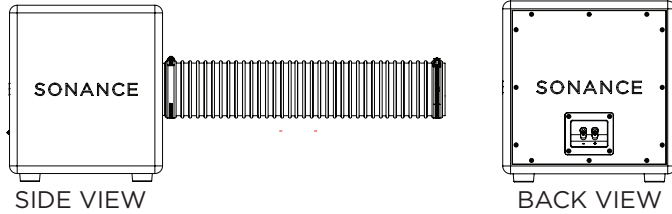
INSTALLATION MANUAL

POWERPIPE X SERIES SUBWOOFER

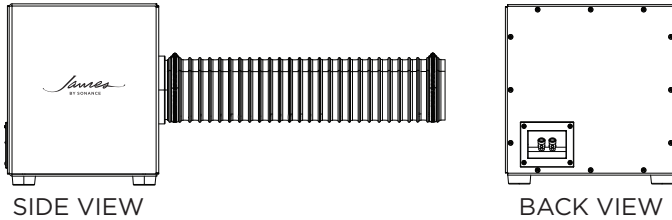
PPX8 | PPX10 | PPX12 | PPX15

PPX8-M | PPX10-M | PPX12-M | PPX15-M

SONANCE MODEL



JAMES MODEL



INTRODUCTION

The Sonance and James PowerPipe X Series subwoofers provide premium bass performance for residential, professional, and marine audio experiences. These subwoofers can be installed into ceiling cavities, within cabinets, and behind walls or closets while porting into the applicable room to provide full, impactful low frequencies to support music and entertainment. PowerPipe X Series subwoofers are to be installed by an architectural audio professional and require additional hardware, including amplification and speakers to complete the audio system. Contact an authorized Sonance representative to inquire or to purchase.

IMPORTANT: Read this section in its entirety before attempting use of the speaker.

IMPORTANT SAFETY INSTRUCTIONS

Always follow these basic safety precautions when using your subwoofer to reduce the risk of fire, electric shock, and injury to people or objects.

1. Read all the safety and operating instructions before operating the subwoofer and retain them for future reference.
2. Adhere to all warnings and precautions listed on the subwoofer and in the operating instructions.
3. Follow all operating instructions.
4. Do not block any ventilation openings. Install in accordance with the manufacturer's instructions.
5. Do not install near a heat source such as radiators, heat registers, stoves, fireplaces, or other apparatus (including amplifiers) that produce heat.
6. Only use attachments/accessories specified by Sonance.
7. Models with "-M" and the James by Sonance logo are outdoor rated, suitable for installation in outdoor environments. Sonance models without the "-M" in its naming are NOT rated for outdoor installations.
8. Refer all servicing to qualified service personnel.

TABLE OF CONTENTS

- 2 Box Contents
- 2 Introduction
- 2 Important Safety Information
- 2 Preparation
- 3 Required Parts by Application
- 3 **CEILING INSTALLATION**
 - 3 Subwoofer Enclosure Placement
 - 3 Attic or Above Joists Placement
 - 4 Joists Placement
 - 4 Attaching the PPX Pipe Tube
 - 6 Ceiling Prep for XPC Grille Connector
 - 6 TRUFIG Mounting: Drywall Flush
 - 6 TRUFIG Mounting: Solid Surface
- 7 **WALL INSTALLATION**
- 9 **CABINET INSTALLATION**
- 11 Accessories
- 12 Technical Specifications
- 16 Warranty

PREPARATION

Determine the required parts for your application.

IMPORTANT: The Sonance PPX subwoofer can be installed behind the ceiling surface during pre-construction framing, or as a renovation or remodel installation. Some installations will require drywall installation, patching, mudding, and/or final finish to the surface.

APPLICATIONS

- Ceiling Micro Trim Grille
- Ceiling Trimless Grille
- Ceiling Flush Mounted Trimless Grille
- Cabinet Toekick Grille
- Wall Toekick Grille
- Marine | Outdoor (James Marine Grade Models Only)

BOX CONTENTS

- (1) PowerPipe X Series Subwoofer Cabinet
- (1) PowerPipe X Series Pipe Tube
 - (2) PVC Port Covers
 - (2) Clamp Rings (Attached)
- (1) Quickstart Guide

REQUIRED PARTS BY APPLICATION

APPLICATION	PPX8 PPX10 (4" Pipe)	PPX12 PPX15 (6" Pipe)
IN-CEILING 4" XPC Grille	4" XPC Grille Connector	NOT COMPATIBLE
	4" XPC Round or Square Grille	
	PPX Rubber Straps	
IN-CEILING 6" or 8" XPC Grille	4 - 6" Straight or 90-Degree Adapter	-
	XPC Grille Connector (6" or 8")*	XPC Grille Connector (6" or 8")
	XPC Round or Square Grille (6" or 8")*	XPC Round or Square Grille (6" or 8")
	PPX Rubber Straps	PPX Rubber Straps
IN-CEILING TRUFIG Flush	4 - 6" Pipe Adapter (for XPC 6" and XPC 8" Grilles only)	-
	XPC Grille Connector (4", 6", or 8")*	XPC Grille Connector (6" or 8")
	VX TRUFIG Mounting Platform	VX TRUFIG Mounting Platform
	XPC Trimless Round or Square Grille (4", 6", or 8")*	XPC Trimless Round or Square Grille (6" or 8" only)
	PPX Rubber Straps	PPX Rubber Straps
IN WALL IN CABINET Toekick	4 - 6" Pipe Adapter (Straight or 90-Degree)	-
	Toekick Connector (Straight or 90-Degree)	Toekick Connector (Straight or 90-Degree)
	PPX Toekick Grille (Included with Toekick Connector)	PPX Toekick Grille (Included with Toekick Connector)

*4" grille not compatible with PPX12 or larger.

CEILING INSTALLATION: PLACING THE SUBWOOFER ENCLOSURE

Follow these steps when installing the PPX subwoofer into the ceiling with a round or square grille.

REQUIRED PARTS

- XPC Grille Connector 4", 6", or 8"
- XPC Round or Square Grille (to match the selected size above)
- PPX Pipe Adapters as Needed (optional)
- PPX Rubber Straps (Optional)

NOTE: PowerPipe X Series subwoofers can be installed by placing above ceiling joists in an open cavity (like an attic) or mounted between joist spacing within the ceiling. Confirm proper space to accommodate your model subwoofer within the desired location. Subwoofer dimensions can be found on page 12-15 of this manual.

IMPORTANT: Verify that the ceiling joists and supporting structure are capable of supporting the full weight of the subwoofer. Do not cut or modify structural members. Installation must comply with all applicable local building and electrical codes.

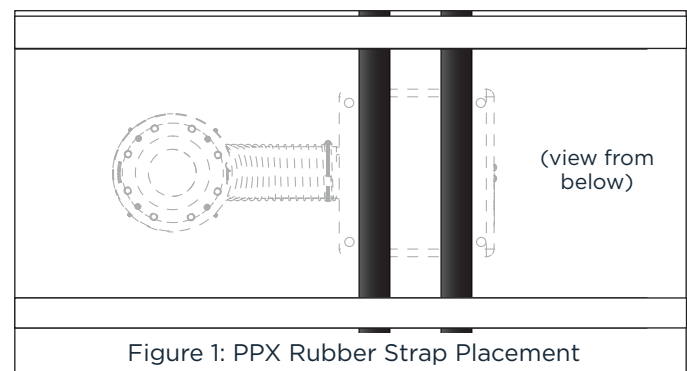
NOTE: Account for enough spacing to accommodate the PPX subwoofer cabinet plus the pipe tube that will be connected to it. The PPX pipe tube will need to bend toward the ceiling surface to port into the room. Most installations will require that the PPX subwoofer opening be within 12-14" of the desired grille location.

1. Identify the desired subwoofer position and confirm alignment with the intended grille location below.
2. Run two-conductor speaker wire from the amplifier location to the desired PPX subwoofer location.

NOTE: For between joist subwoofer placement, skip to step 11 on page 4.

ATTIC OR ABOVE JOIST PLACEMENT: PPX RUBBER STRAP SUSPENSION

3. Secure two PPX rubber straps across the top surface of the adjacent ceiling joists at the selected location.
4. Attach one end of the strap to a joist using two structural screws and flat washers. Screws must penetrate the joist a minimum of 1.5" (38mm).
5. Extend the strap across the joist cavity and secure the opposite end to the adjacent joist using the same fastening method.
6. Tension the strap firmly so there is no visible slack or sag when supporting the cabinet weight.
7. Install the second strap parallel to the first. Recommended spacing is within the center third of the cabinet width so that each strap contacts the underside of the enclosure just inside the rubber feet (see Figure 1).



8. Position the subwoofer so it rests securely on the two rubber straps between the joists.
9. If framing permits, the cabinet may alternatively rest across the tops of the joists, making contact with the secured rubber straps to minimize subwoofer cabinet vibration.

NOTE: Ensure the enclosure is stable and level, and that it does not contact drywall or ceiling material below. Confirm that the port/opening is aligned with the intended grille location.

10. Proceed to step 19.

BETWEEN JOIST PLACEMENT

11. Measure and cut two 2x4 lumber boards to span between the adjacent joists at the intended subwoofer location.
12. Measure the spacing between the rubber feet on the bottom of the PPX subwoofer. The 2x4 boards will need to fit when side by side so the feet on the bottom of the PPX enclosure will straddle the outside of the boards.
13. Test fit the pipe tube to confirm it reaches the finished ceiling plane at the desired grille location.
14. Measure the height from the top of the ceiling cavity to the top of the 2x4 boards to ensure there is enough room to place the subwoofer on top of the boards once they are installed into position (see Figure 2).

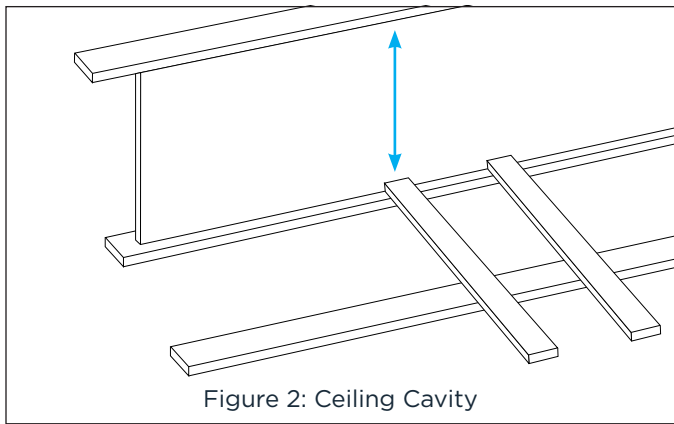


Figure 2: Ceiling Cavity

15. Install the 2x4 boards perpendicular to the joists within the joist cavity. Secure each end using structural screws (minimum two per side). Boards must sit above the bottom plane of the joists. Do not allow boards to extend below the joists or apply pressure to the drywall.
16. Prepare the 2x4's and the joist surfaces within the cavity with foam tape, insulation tape, or weather stripping to help prevent unwanted vibration.
17. Place the subwoofer into the prepared 2x4 joist location, positioning the PPX subwoofer opening toward the grille location. The PPX subwoofer feet should straddle the 2x4 boards (see Figure 3).

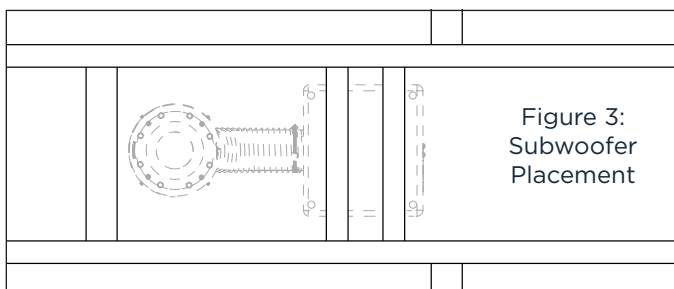


Figure 3: Subwoofer Placement

18. Position the PPX subwoofer cabinet firmly against the side of the prepared adjacent joist so that the cabinet makes full contact.

NOTE: Be sure to test the subwoofer after installation but before closing/finishing the ceiling to ensure there is no vibration or rattling from the subwoofer cabinet within the surface.

ATTACHING THE PPX PIPE TUBE

19. Remove the PVC port covers from both ends of the pipe tube (see Figure 4).

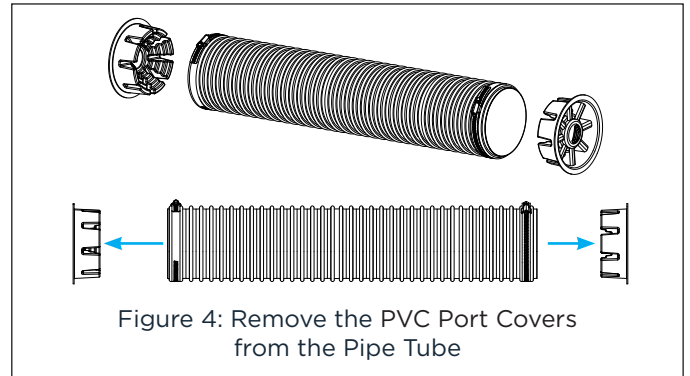


Figure 4: Remove the PVC Port Covers from the Pipe Tube

20. Connect the pipe tube to the subwoofer cabinet (see Figure 5).

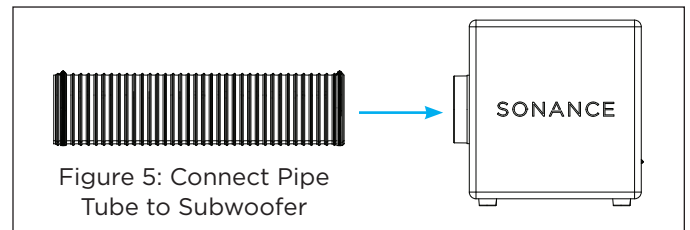


Figure 5: Connect Pipe Tube to Subwoofer

21. Loosen the clamp ring on one end of the pipe tube, but do not remove. Slide the pipe tube (with the loosened clamp ring still in place) into position onto the cabinet opening. Then retighten the clamp ring to secure the pipe tube onto the cabinet.

NOTE: Make sure the clamp ring is firmly secured to the subwoofer cabinet so it does not come loose within the surface once the ceiling is closed and finished.

22. Connect the speaker wire to the subwoofer wire terminals on the back of the cabinet. The terminals are spring loaded (see Figure 6).

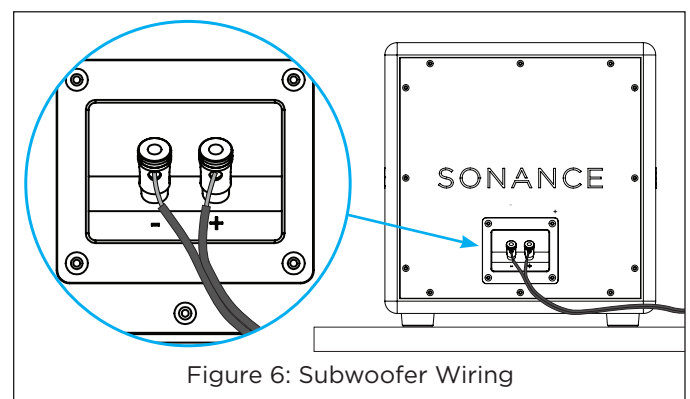
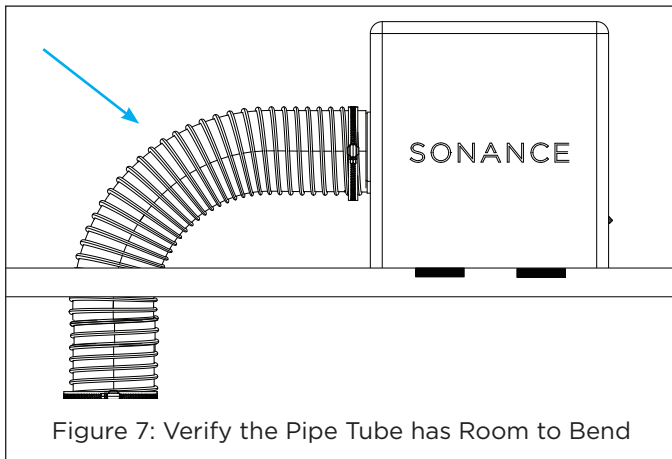


Figure 6: Subwoofer Wiring



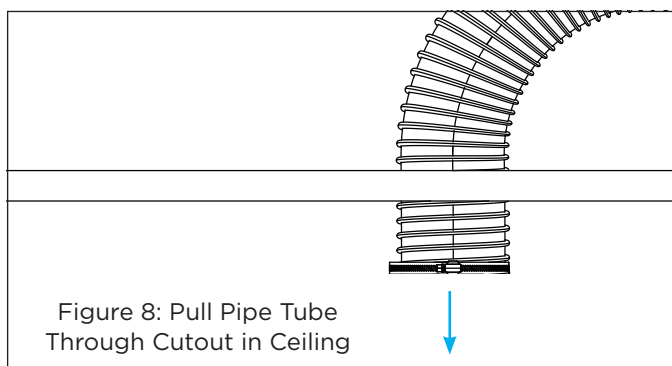
23. Verify that the pipe tube will bend into position in the desired grille location. Bend the pipe within the space, aiming the pipe opening downward into the room. If the pipe tube cannot reach or make the bend into the desired grille placement, adjustments will need to be made to relocate the PPX subwoofer cabinet and PPX rubber straps (see Figure 7).



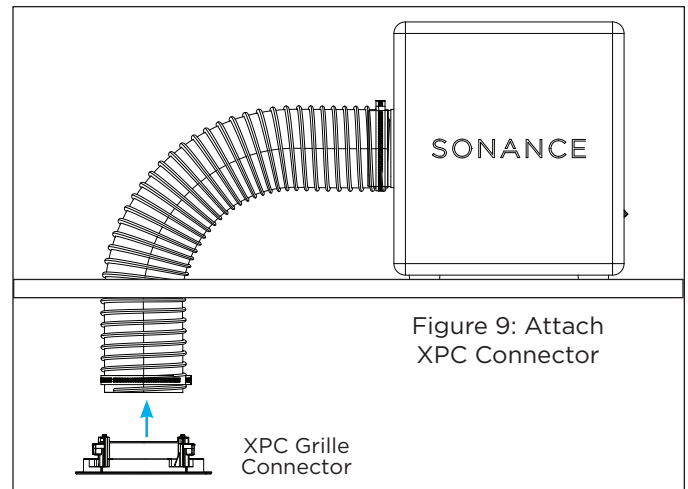
STANDARD GRILLE FINISH

NOTE: For flush mounted grilles into drywall, skip to the next section “PREPARING THE CEILING FOR DRYWALL: FLUSH ROUND OR SQUARE GRILLE” on page 6. For flush mounted grilles into solid surfaces, skip to “PREPARING THE CEILING FOR SOLID SURFACE FLUSH ROUND OR SQUARE GRILLE” on page 7.

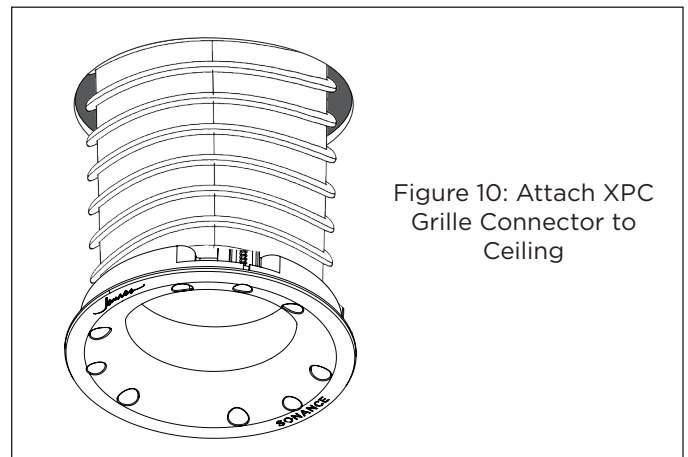
24. Once the PPX subwoofer is in position and the pipe is securely attached, finish the ceiling surface.
25. After the ceiling is finished, cut the opening in the ceiling for the grille connector to be installed. Use the supplied cutout template (included with the XPC grille connector) to trace and cut to the dimensions of the appropriate XPC grille connector for the desired XPC grille size.
26. Retrieve the loose end of the PPX pipe tube in the ceiling opening and pull it slightly down into the room (see Figure 8). Loosen the clamp ring to slide the pipe tube into position on the XPC grille connector. Retighten the clamp ring to secure the tube onto the adapter.



27. Insert the connected pipe and XPC grille connector into the ceiling opening (see Figure 9).

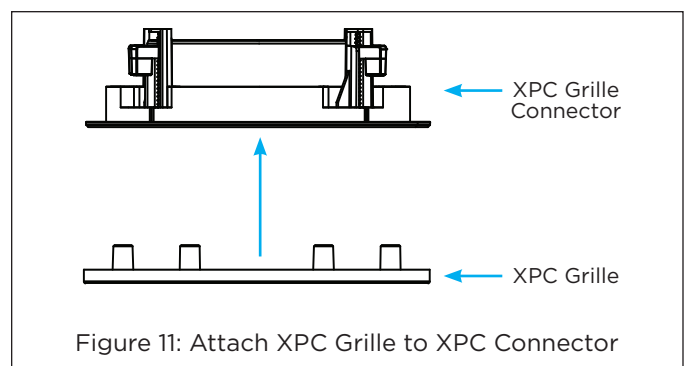


28. Use a screwdriver or drill on the lowest torque setting to tighten the screws on the front of the XPC grille connector to secure it in place within the ceiling (see Figure 10).



IMPORTANT: Always use low-torque settings when using a screw gun and go slow; never over tighten.

29. Attach the desired round or square XPC grille into position on the XPC grille connector, grille sold separately (see Figure 11).



30. For square grilles, adjustments may be made by loosening the screws to allow the grille connector to rotate in the surface until the position of the grille is properly aligned as desired. No adjustments required for round grilles.

PREPARING THE CEILING FOR DRYWALL: FLUSH ROUND OR SQUARE GRILLE

Follow these steps when installing the PowerPipe X Series subwoofer into the ceiling and finished with a flush mounted round or square grille.

REQUIRED PARTS

- XPC Grille Connector 4", 6", or 8"
 - 4", 6", or 8" VX TRUFIG Mounting Platform in Round or Square, 1/2" or 5/8"
 - XPC Round or Square Trimless Grille (to match the selected size above)
 - PPX Pipe Adapters as Needed (optional)
 - PPX Rubber Straps
1. Once the PPX subwoofer cabinet is in position, place the mounting platform in the desired location for the grille in the ceiling (see Figure 12).

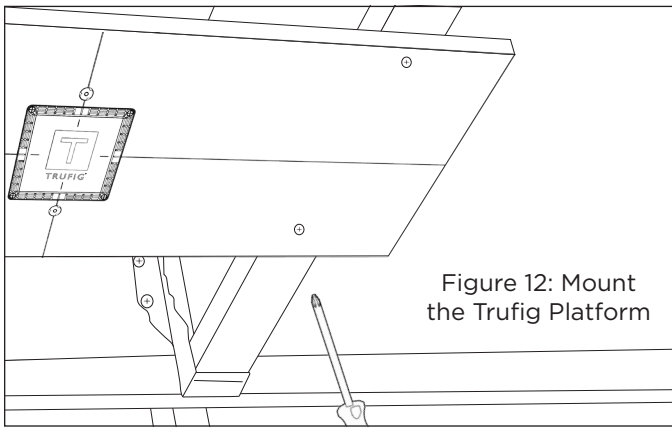


Figure 12: Mount the Trufig Platform

2. Secure the mounting platform to the joists and verify that the pipe tube will bend and reach through the platform opening (see Figure 13).

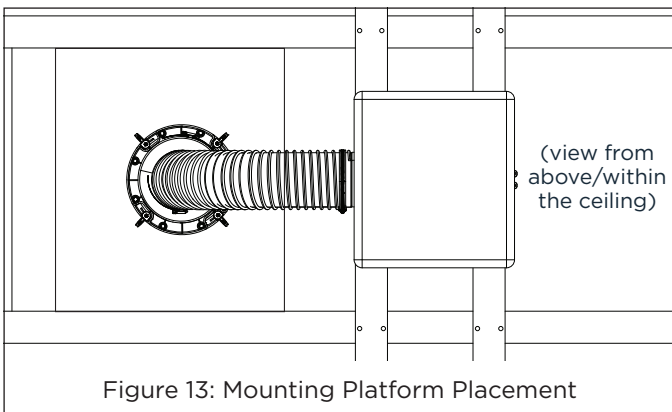


Figure 13: Mounting Platform Placement

3. The mounting platform has a tie wrap installed on one of the pierce bridges on the back. Use this to tether a string from the PowerPipe clamp ring on the end of the pipe tube for retrieval after installation (see Figure 14).

NOTE: It is important to wire from the amplifier to the PPX subwoofer and tether the pipe to the TRUFIG mounting platform opening BEFORE completing the mud, sand, and paint for the surface.

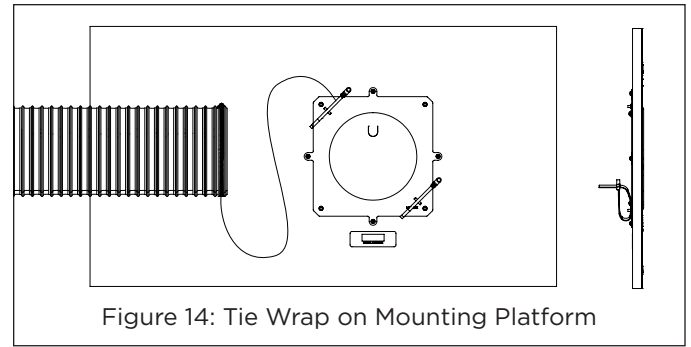


Figure 14: Tie Wrap on Mounting Platform

FINISHING THE CEILING: TRUFIG FLUSH MOUNT

Proceed to these steps after the TRUFIG mounting platform has been installed and the ceiling surface has been mudded and sanded. See installation steps as outlined in the TRUFIG MOUNTING PLATFORM INSTALLATION GUIDE.

1. Locate the screws on the metal sanding shield and remove them. Use the keyhole to remove the metal sanding shield, being careful not to remove the plastic paint shield.
2. Paint the surface before proceeding.
3. After painting is complete, remove the paint shield from the mounting platform opening. The paint shield is a thin, plastic material that is secured around the perimeter with adhesive, so it should pull away from the opening easily. The paint shield includes a pre-cut hole to allow for easy removal using a finger or pointed object like a screwdriver. Poke through and pull the paint shield away from the surface.

NOTE: The mounting platform opening includes a small VX spacer ring that is secured around the rim with adhesive. Removing the paint shield will reveal the VX spacer ring. The spacer is labeled "VX SPACER REMOVE FOR VXQ."

4. Remove the VX spacer by peeling it away from the rim.
5. Feel within the surface opening to locate the reserved, tethered pipe tube. Free it from the tether on the back of the mounting platform and pull it through to hang outside of the opening.
6. Pull the loose end of the pipe tube down into the ceiling opening. Loosen the clamp ring to slide the pipe tube into position on the XPC grille connector. Retighten the clamp ring to secure the pipe tube onto the adapter.
7. Insert the connected pipe tube and XPC grille connector into the ceiling opening.
8. Use a screwdriver or drill on the lowest torque setting to tighten the screws on the front of the XPC grille connector to secure it in place within the ceiling.

IMPORTANT: Always use low-torque settings when using a screw gun and go slow; never over tighten.

- Attach the desired round or square XPC grille into position on the XPC grille connector (grille sold separately).

PREPARING THE CEILING FOR SOLID SURFACE TRUFIG FLUSH ROUND OR SQUARE GRILLE

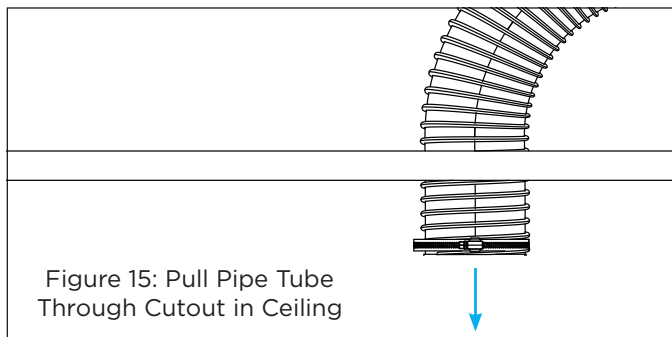
Follow these steps when installing the PowerPipe X Series subwoofer into a ceiling made of solid surface material and finished with a flush mounted round or square grille.

REQUIRED PARTS

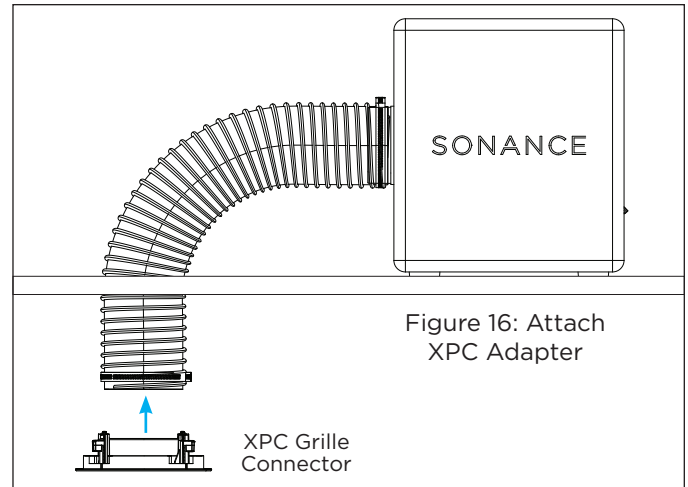
- XPC Grille Connector 4", 6", or 8"
 - 4", 6", or 8", Round or Square VX TRUFIG Router Template for Solid Surface Applications
 - XPC Round or Square Trimless Grille (to match the selected size above)
 - PPX Pipe Adapters as Needed (optional)
 - PPX Rubber Straps
- Before closing the PPX subwoofer within the ceiling surface, tether the loose end of the PPX pipe tube to the inside the surface opening within reach so the pipe tube can be retrieved after the surface is finished and complete.

NOTE: It is important to wire from the amplifier to the PPX subwoofer and tether the pipe tube to the opening BEFORE closing the surface.

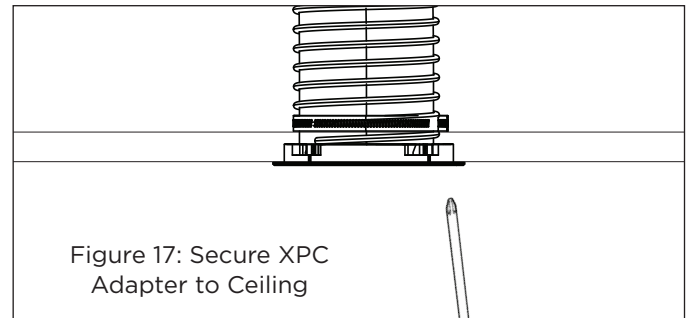
- Once the PPX subwoofer cabinet is in position, prepare the ceiling opening.
- Use the TRUFIG by Sonance router template for the size and shape of the XPC grille. Follow the steps outlined within the router template installation guide to cut the opening into the ceiling surface.
- Once the ceiling is finished, feel within the surface opening to locate the pipe tube. Free it from the tether and pull it through to hang outside of the opening (see Figure 15).



- Pull the loose end of the pipe tube down into the ceiling opening. Loosen the clamp ring to slide the pipe tube into position on the XPC grille connector. Retighten the clamp ring to secure the pipe tube onto the adapter (see Figure 16).



- Insert the connected pipe tube and XPC grille connector into the ceiling opening.
- Use a screwdriver or drill on the lowest torque setting to tighten the screws on the front of the XPC grille connector to secure it in place within the ceiling (see Figure 17).



IMPORTANT: Always use low-torque settings when using a screw gun and go slow; never over tighten.

- Attach the desired round or square XPC trimless grille into position on the XPC grille connector (grille sold separately).

BEHIND WALL INSTALLATION: TOEKICK GRILLE

Follow these steps when installing the PPX subwoofer behind a wall, closet, or large wall cavity, and ported into the room with a PPX toekick grille.

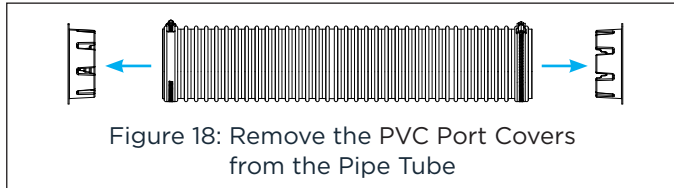
REQUIRED PARTS

- PPX 90-Degree or Straight Toekick Connector
- PPX Toekick Grille
- PPX Toekick Sub Plate
- Toekick Grille Cutout Template

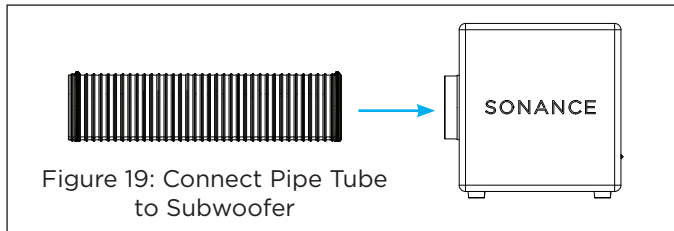
NOTE: Account for enough spacing to accommodate the PPX subwoofer cabinet plus the PPX pipe tube that will be connected to it. The pipe tube will need to bend toward the wall surface to port into the room. Most installations will require that the cabinet opening be placed within 18" of the desired toekick wall opening.

- Define the desired location and placement behind the wall or in a large surface cavity. Determine the desired ported toekick position.

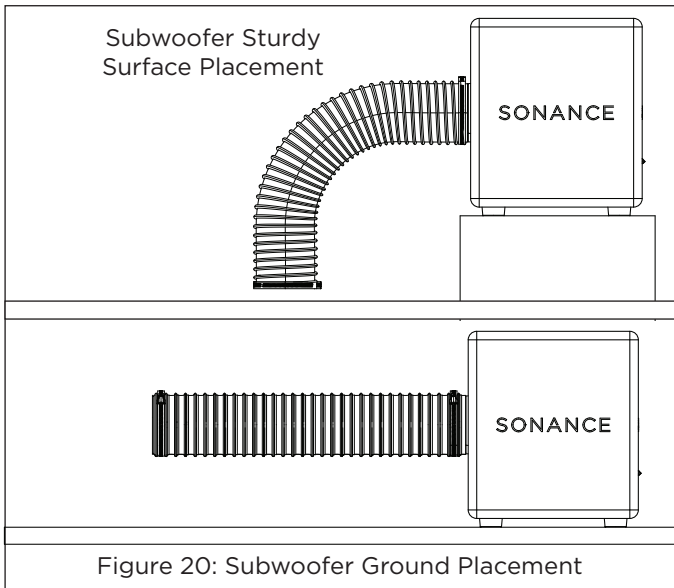
- Run two-conductor speaker wire from the amplifier location to the desired PPX subwoofer location.
- Remove the PVC port covers from both ends of the pipe tube. Loosen the clamp ring on each end of the pipe tube. Slide the pipe tube into position onto the cabinet opening and then retighten the clamp ring (see Figure 18).



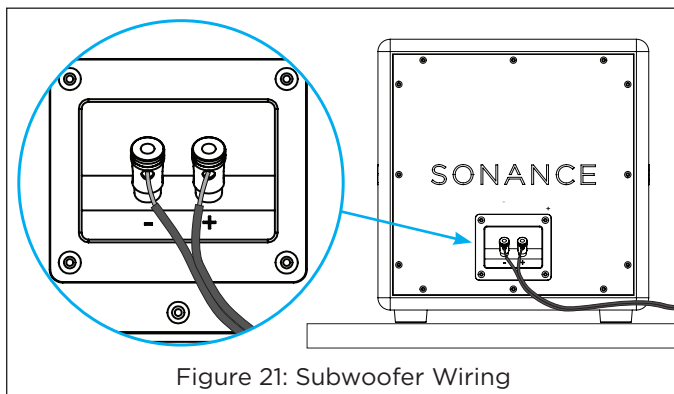
- Connect the pipe tube to the subwoofer cabinet (see Figure 19).



- Place the PPX subwoofer within the wall location, onto the ground or sturdy surface (see Figure 20).



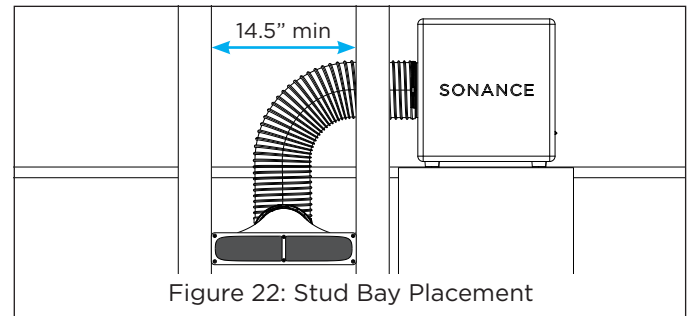
- Connect the speaker wire to the subwoofer wire terminals on the back of the cabinet. The terminals are spring loaded (see Figure 21).



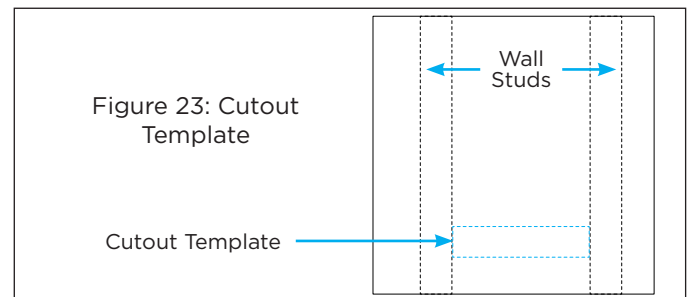
- Verify that the pipe tube will bend into position in the desired toekick grille location. Bend the pipe tube within the surface, aiming the pipe tube opening into the room. If the pipe tube cannot reach or make the bend into the desired grille placement, adjustments will need to be made to relocate the subwoofer cabinet until the pipe tube can reach the toekick connector.

NOTE: For placement that requires a 90-degree bend, the PPX 90-Degree adapter may be used as an optional accessory to connect the PPX pipe tube to the toekick. Do not otherwise alter the length of the PPX pipe tube.

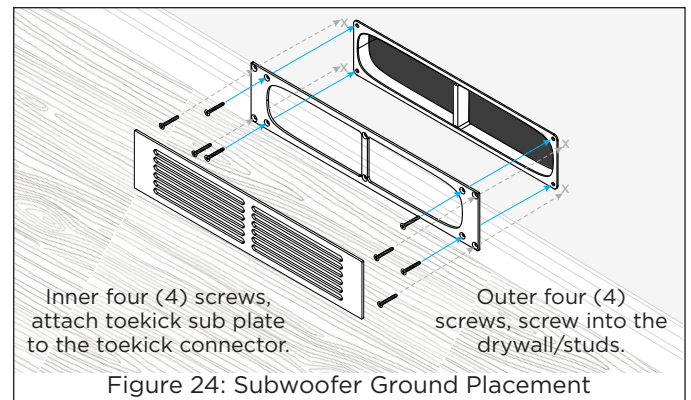
- Locate the desired grille placement and positioning near the bottom of the wall or within the baseboard.
- Identify any studs and plan for the cut to be placed directly within the stud bay. The PPX toekick connector and grille will require at least 14.5" of spacing and will fit into most typical 16" on center stud bays (see Figure 22).



- Trace and cut the PPX toekick grille opening. Insert the toekick connector from within/behind the wall surface, pressing it flush against the drywall surface.



- From the front side of the wall, align and attach the PPX toekick sub plate to the four corners of the PPX toekick connector using the four included short screws (see Figure 24).



- From the front side of the wall, level and secure the toekick sub plate at the four outer screw holes using the four included long screws (see Figure 25).

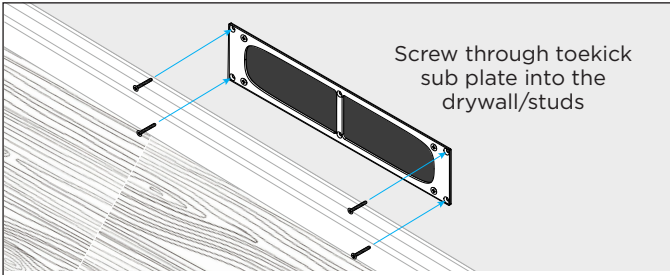


Figure 25: Secure Toekick Sub Plate to Drywall/Stud

- The toekick sub plate and connector are in position and ready for the PPX pipe tube to be attached from behind the wall (see Figures 26 and 27).

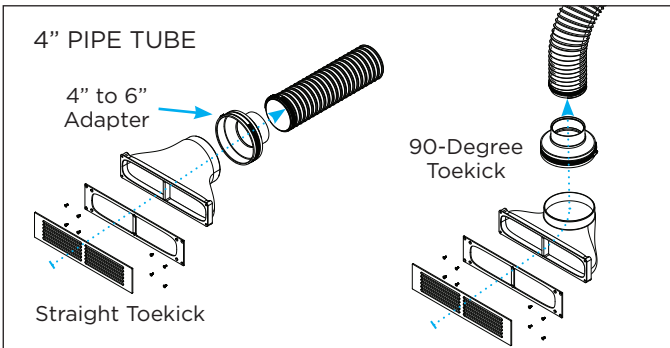


Figure 26: Attach Adapter to Pipe Tube

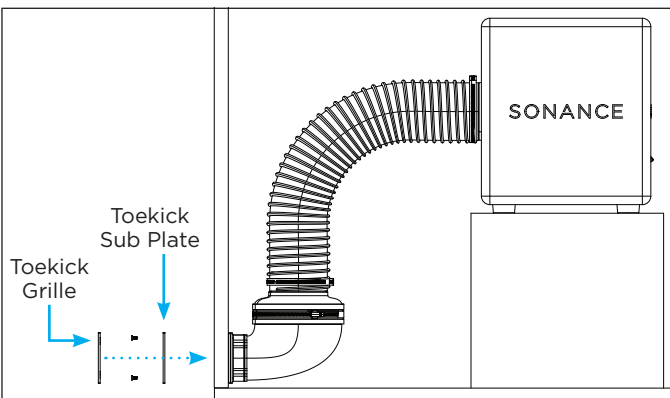


Figure 27: Securing Toekick and Attaching Grille

CABINET INSTALLATION: TOEKICK GRILLE

Used for mounting the PowerPipe X Series subwoofer within or behind cabinetry, porting through the toekick within or near the baseboard of the floor.

REQUIRED PARTS

- PPX Toekick Connector: 90-Degree (PPX-3.5x16-2-90) is typically used for installations in baseboard toekicks
- PPX Toekick Grille
- PPX Toekick Sub Plate
- Toekick Grille Cutout Template

CRITICAL DIMENSION: The 90-Degree connector requires 5" of vertical clearance to accommodate the height of the toekick connector.

For new cabinet builds, it is easiest to install the toekick connector and sub plate into the cabinet baseboard by turning the cabinet upside down to work with full access to the cabinet's underside. For installation into cabinets without access through the bottom, additional cuts will be required.

1. Verify the cabinet has enough internal clearance for the PPX subwoofer and that the toekick height can accommodate the toekick connector and any required adapters (see Figure 28).

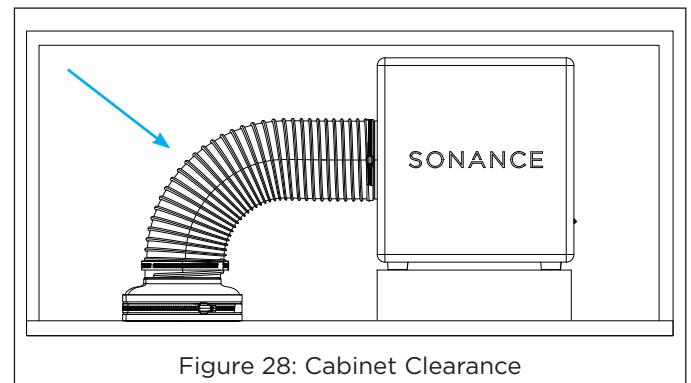


Figure 28: Cabinet Clearance

2. Place the PPX subwoofer inside the cabinet to confirm spacing and positioning for the toekick, taking care to consider the requirements for the pipe tube to connect to the subwoofer and bend to make the connection to the toekick connector and grille (see Figure 29).

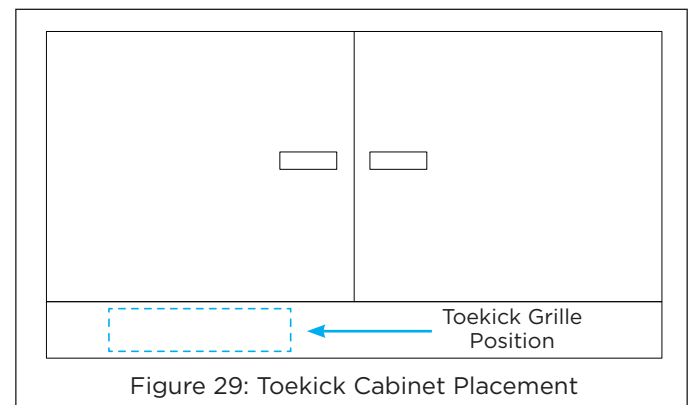


Figure 29: Toekick Cabinet Placement

3. Verify that you have 4" or more of vertical space in the cabinet toekick to be able to cut and install the PPX toekick connector and grille.
4. Position the toekick connector inside the cabinet with the toekick grille opening placed against the base of the cabinet. You may need to remove the shelf or cut into it to get the connector into position.
5. If unable to access the baseboard/toekick from within the cabinet, measure and cut a hole in the bottom shelf within the cabinet large enough to move the PPX toekick connector into position. For 90-Degree toekick connectors, the hole should be 16" wide and 8" deep, beginning the cut close to the front of the cabinet shelf and in line with the toekick grille position. Recommended to cut 1" inward from the back of the cabinet baseboard (see Figure 30).

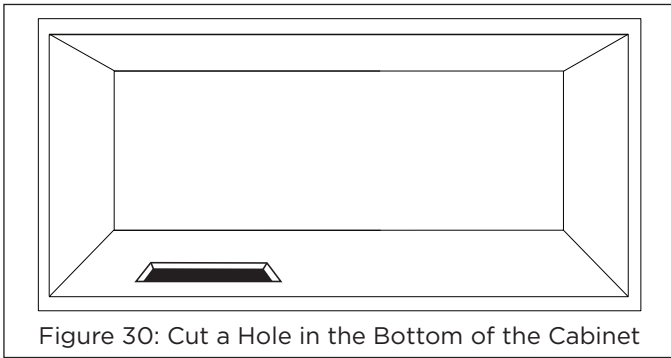


Figure 30: Cut a Hole in the Bottom of the Cabinet

6. Mark the front of the cabinet base for the grille location. Use the toekick grille cutout template to trace and cut the grille opening in front base of the cabinet (see Figure 31).

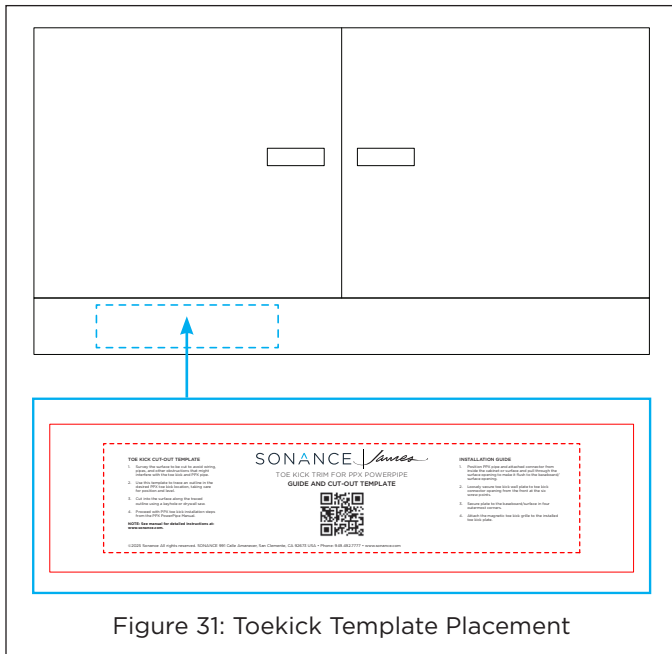


Figure 31: Toekick Template Placement

7. Position the toekick sub plate over the grille opening in the cabinet, matching to the toekick connector opening from inside the cabinet. Align and attach the PPX toekick sub plate to the four corners of the PPX toekick connector using the four included short screws.

8. From the front side of the cabinet, level and secure the toekick sub plate to the cabinet at the four outer screw holes using the four included long screws (see Figure 32).

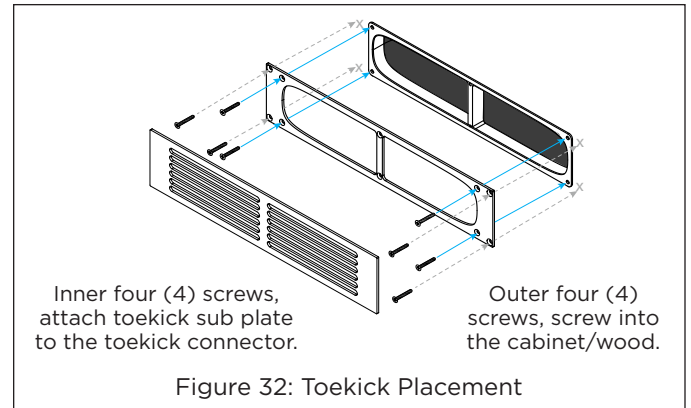


Figure 32: Toekick Placement

9. Now the toekick sub plate and connector are in position and ready for the PPX pipe tube to be attached from behind the wall (see Figures 33).

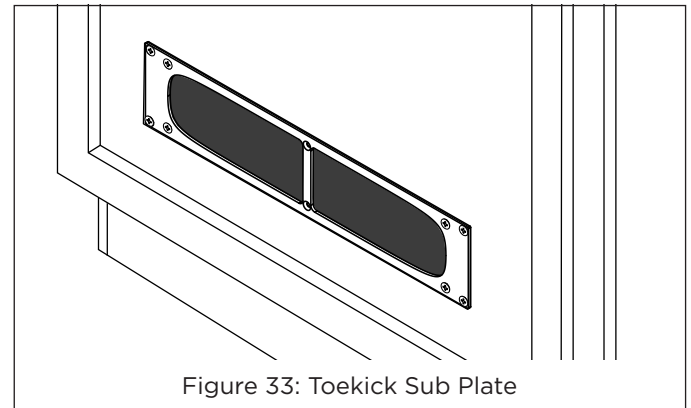


Figure 33: Toekick Sub Plate

10. Ensure all connections are sealed with gaskets or Butyl tape to prevent "hissing" or air leakage into the cabinet (see Figure 34).

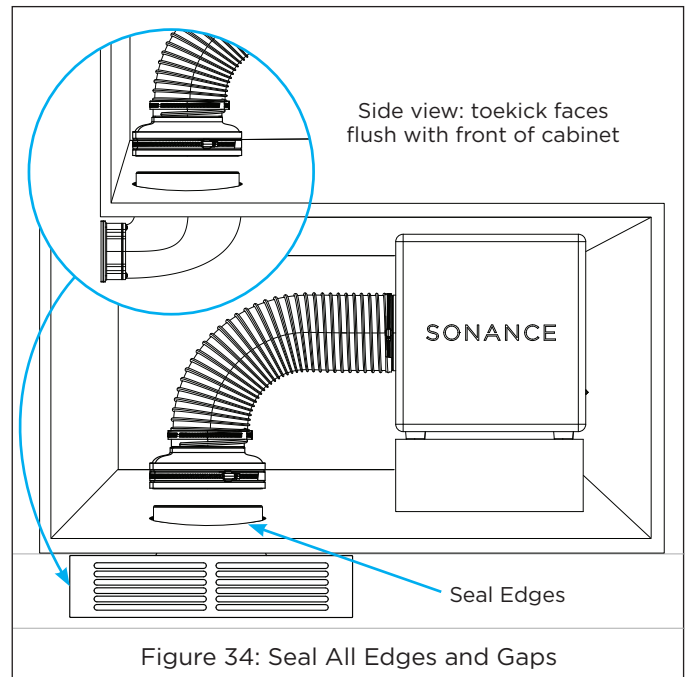


Figure 34: Seal All Edges and Gaps

11. Attach the magnetic toekick grille into place.

IMPORTANT NOTES AND BEST PRACTICES

1. Never cut or alter the length of the PowerPipe X Series pipe tube. Performance is specifically tuned to the factory length. Only Sonance PPX accessories and adapters can be used to modify pipe angles and diameters as required for the installation.
2. Always use low-torque settings on drills when securing adapters to prevent cracking the plastic or stripping the threads.
3. Use factory specified adapters and extensions only.
4. Seal all joints carefully to prevent air leaks that degrade sound quality.
5. Test system after installation to confirm proper acoustic performance and grille fit.

ACCESSORIES

- **PPX Toekick Replacement Grille | 93799**
Requires Straight or 90-Degree Toekick Connector
- **PPX-8R | 93796**
PPX 8" XPC Grille Connector
- **PPX-6R | 93795**
PPX 6" XPC Grille Connector
- **PPX-4R | 93794**
PPX 4" XPC Grille Connector
- **PPX-6-90 | 93793**
PPX 90-Degree Adapter
- **PPX-4to6-90-ADAPTER | 93792**
PPX 4" to 6" 90-Degree Adapter
- **PPX-4to6-STR-ADAPTER | 93791**
PPX 4" to 6" Straight Adapter
- **PPX-3.5x16-2-STR | 93790**
PPX Straight Toekick Connector and Grille
- **PPX-3.5x16-2-90 | 93789**
PPX 90-Degree Toekick Connector and Grille
- **PPX Rubber Straps | 93826**

SONANCE POWERPIPE X SERIES TECHNICAL SPECIFICATIONS

PPX8

SKU	93785
UOM	Each
Woofers	8" (205mm) anodized aluminum cone, rubber surround, high excursion
Frequency Response	44Hz - 130Hz +/-3dB
Impedance	4 ohms nominal
Sensitivity	91dB SPL
Recommended Power	300 watts
Recommended Amplifiers	Blaze Powerzone Connect 1002 2004 4008 Sonance DSP 2-750 MKIII
Enclosure Material	MDF (Medium Density Fiberboard)
Finish	Textured Black
Tube Inside Diameter (Dia)	4.02" (102mm)
Tube Length (L)	21.65" (550mm)
Product Dims w/ Feet (WxHxD)	11.81" x 12.42" x 11.5" (300mm x 315mm x 292mm)
Product Dims w/o Feet (WxHxD)	11.81" x 11.81" x 11.5" (300mm x 300mm x 292mm)
Product Weight	30.56 lbs. (13.86kg)
Shipping Weight	36.38 lbs. (16.5kg)

PPX10

SKU	93786
UOM	Each
Woofers	10" (254mm) anodized aluminum cone, rubber surround, high excursion
Frequency Response	39Hz - 115Hz +/-3dB
Impedance	4 ohms nominal
Sensitivity	92dB SPL
Recommended Power	400 watts
Recommended Amplifiers	Blaze Powerzone Connect 1502 3004 6008 Sonance DSP 2-750 MKIII
Enclosure Material	MDF (Medium Density Fiberboard)
Finish	Textured Black
Tube Inside Diameter (Dia)	4.02" (102mm)
Tube Length (L)	21.65" (550mm)
Product Dims w/ Feet (WxHxD)	12.99" x 13.6" x 11.81" (330mm x 346mm x 300mm)
Product Dims w/o Feet (WxHxD)	12.99" x 12.99" x 11.81" (330mm x 330mm x 300mm)
Product Weight	38.27 lbs. (17.36kg)
Shipping Weight	44.75 lbs. (20.3kg)

SONANCE POWERPIPE X SERIES TECHNICAL SPECIFICATIONS

PPX12

SKU	93787
UOM	Each
Woofers	12" (305mm) anodized aluminum cone, rubber surround, high excursion
Frequency Response	34Hz - 100Hz +/-3dB
Impedance	4 ohms nominal
Sensitivity	93dB SPL
Recommended Power	500 watts
Recommended Amplifiers	Blaze Powerzone Connect 1502 3004 6008 Sonance DSP 2-750 MKIII
Enclosure Material	MDF (Medium Density Fiberboard)
Finish	Textured Black
Tube Inside Diameter (Dia)	5.98" (152mm)
Tube Length (L)	25.59" (650mm)
Product Dims w/ Feet (WxHxD)	15.75" x 16.36" x 15.16" (400mm x 415mm x 385mm)
Product Dims w/o Feet (WxHxD)	15.75" x 15.75" x 15.16" (400mm x 400mm x 385mm)
Product Weight	55.87 lbs. (25.34kg)
Shipping Weight	64.37 lbs. (29.2kg) Team lift required

PPX15

SKU	93788
UOM	Each
Woofers	15" (381mm) anodized aluminum cone, rubber surround, high excursion
Frequency Response	29Hz - 90Hz +/-3dB
Impedance	4 ohms nominal
Sensitivity	94dB SPL
Recommended Power	600 watts
Recommended Amplifiers	Blaze Powerzone Connect 1502 3004 6008 Sonance DSP 2-750 MKIII
Enclosure Material	MDF (Medium Density Fiberboard)
Finish	Textured Black
Tube Inside Diameter (Dia)	5.98" (152mm)
Tube Length (L)	25.59" (650mm)
Product Dims w/ Feet (WxHxD)	17.72" x 18.33" x 16.93" (450mm x 466mm x 430mm)
Product Dims w/o Feet (WxHxD)	17.72" x 17.72" x 16.93" (450mm x 450mm x 430mm)
Product Weight	68.26 lbs. (30.96kg)
Shipping Weight	79.37 lbs. (36kg) Team lift required

JAMES POWERPIPE X SERIES TECHNICAL SPECIFICATIONS

PPX8-M

SKU	60665
UOM	Each
Woofers	8" (205mm) anodized aluminum cone, rubber surround, high excursion
Frequency Response	44Hz - 130Hz +/-3dB
Impedance	4 ohms nominal
Sensitivity	91dB SPL
Recommended Power	300 watts
Recommended Amplifiers	Blaze Powerzone Connect 1002 2004 4008 Sonance DSP 2-750 MKIII
Enclosure Material	Aircraft Marine Grade Aluminum
Finish	Textured Black
Tube Inside Diameter (Dia)	4.02" (102mm)
Tube Length (L)	21.65" (550mm)
Product Dims w/ Feet (WxHxD)	10.64" x 11.25" x 11.56" (270.3mm x 285.8mm x 294mm)*
Product Dims w/o Feet (WxHxD)	10.64" x 10.64" x 11.56" (270.3mm x 270.3mm x 294mm)*
Product Weight	21.14 lbs. (9.60kg)

PPX10-M

SKU	60667
UOM	Each
Woofers	10" (254mm) anodized aluminum cone, rubber surround, high excursion
Frequency Response	39Hz - 115Hz +/-3dB
Impedance	4 ohms nominal
Sensitivity	92dB SPL
Recommended Power	400 watts
Recommended Amplifiers	Blaze Powerzone Connect 1502 3004 6008 Sonance DSP 2-750 MKIII
Enclosure Material	Aircraft Marine Grade Aluminum
Finish	Textured Black
Tube Inside Diameter (Dia)	4.02" (102mm)
Tube Length (L)	21.65" (550mm)
Product Dims w/ Feet (WxHxD)	11.7" x 12.31" x 12.18" (297.2mm x 312.7mm x 309.2mm)*
Product Dims w/o Feet (WxHxD)	11.7" x 11.7" x 12.18" (297.2mm x 297.2mm x 309.2mm)*
Product Weight	27.36 lbs. (12.41kg)

*For pigtail option, add 1" (25.4mm) of depth to accommodate water gland

JAMES POWERPIPE X SERIES TECHNICAL SPECIFICATIONS

PPX12-M

SKU	60668
UOM	Each
Woofers	12" (305mm) anodized aluminum cone, rubber surround, high excursion
Frequency Response	34Hz - 100Hz +/-3dB
Impedance	4 ohms nominal
Sensitivity	93dB SPL
Recommended Power	500 watts
Recommended Amplifiers	Blaze Powerzone Connect 1502 3004 6008 Sonance DSP 2-750 MKIII
Enclosure Material	Aircraft Marine Grade Aluminum
Finish	Textured Black
Tube Inside Diameter (Dia)	5.98" (152mm)
Tube Length (L)	25.59" (650mm)
Product Dims w/ Feet (WxHxD)	14.59" x 15.2" x 15.3" (370.4mm x 358.9mm x 388.4mm)*
Product Dims w/o Feet (WxHxD)	14.59" x 14.59" x 15.3" (370.4mm x 370.4mm x 388.4mm)*
Product Weight	40.9 lbs (18.55kg) Team lift required

PPX15-M

SKU	60669
UOM	Each
Woofers	15" (381mm) anodized aluminum cone, rubber surround, high excursion
Frequency Response	29Hz - 90Hz +/-3dB
Impedance	4 ohms nominal
Sensitivity	94dB SPL
Recommended Power	600 watts
Recommended Amplifiers	Blaze Powerzone Connect 1502 3004 6008 Sonance DSP 2-750 MKIII
Enclosure Material	Aircraft Marine Grade Aluminum
Finish	Textured Black
Tube Inside Diameter (Dia)	5.98" (152mm)
Tube Length (L)	25.59" (650mm)
Product Dims w/ Feet (WxHxD)	16.55" x 17.16" x 17.08" (420.4mm x 435.9mm x 433.8mm)*
Product Dims w/o Feet (WxHxD)	16.55" x 16.55" x 17.08" (420.4mm x 420.4mm x 433.8mm)*
Product Weight	50 lbs. (22.68kg) Team lift required

***For pigtail option, add 1" (25.4mm) of depth to accommodate water gland**

LIMITED FIVE (5) YEAR WARRANTY AND TWO (2) YEAR WARRANTY

Sonance warrants to the first end-user purchaser that this Sonance-brand product ("Product"), when purchased from an authorized Sonance Dealer/Distributor, will be free from defective workmanship and materials for five (5) years for Sonance PPX8, PPX10, PPX12, and PPX15 models, and two (2) years for James Marine PPX8-M, PPX10-M, PPX12-M, and PPX15-M models. PPX grilles and adapter accessories are warranted for five (5) years. Sonance will at its option and expense either repair the defect or replace the Product with a new or remanufactured Product or a reasonable equivalent.

EXCLUSIONS: TO THE EXTENT PERMITTED BY LAW, THE WARRANTY SET FORTH ABOVE IS IN LIEU OF, AND EXCLUSIVE OF, ALL OTHER WARRANTIES, EXPRESS OR IMPLIED, AND IS THE SOLE AND EXCLUSIVE WARRANTY PROVIDED BY SONANCE. ALL OTHER EXPRESS AND IMPLIED WARRANTIES, INCLUDING THE IMPLIED WARRANTIES OF MERCHANTABILITY, IMPLIED WARRANTY OF FITNESS FOR USE, AND IMPLIED WARRANTY OF FITNESS FOR A PARTICULAR PURPOSE ARE SPECIFICALLY EXCLUDED. NO ONE IS AUTHORIZED TO MAKE OR MODIFY ANY WARRANTIES ON BEHALF OF SONANCE.

The warranty stated above is the sole and exclusive remedy and Sonance's performance shall constitute full and final satisfaction of all obligations, liabilities and claims with respect to the Product.

IN ANY EVENT, SONANCE SHALL NOT BE LIABLE FOR CONSEQUENTIAL, INCIDENTAL, ECONOMIC, PROPERTY, BODILY INJURY, OR PERSONAL INJURY DAMAGES ARISING FROM THE PRODUCT, ANY BREACH OF THIS WARRANTY OR OTHERWISE.

This warranty statement gives you specific legal rights, and you may have other rights which vary from state to state. Some states do not allow the exclusion of implied warranties or limitations of remedies, so the above exclusions and limitations may not apply. If your state does not allow disclaimer of implied warranties, the duration of such implied warranties is limited to period of Sonance's express warranty.

Your Product Model and Description: Sonance PowerPipe X Series Subwoofer PPX8 | PPX10 | PPX12 | PPX15 | PPX8-M | PPX10-M | PPX12-M | PPX15-M.

Additional Limitations and Exclusions from Warranty Coverage: The warranty described above is non-transferable, applies only to the initial installation of the Product, does not include installation of any repaired or replaced Product, does not include damage to allied or associated equipment which may result for any reason from use with this Product, and does not include labor or parts caused by accident, disaster, negligence, improper installation, misuse (e.g. overdriving the amplifier or speaker, excessive heat or cold or humidity, outdoor installation), or from service or repair which has not been authorized by Sonance.

Obtaining Authorized Service: To qualify for the warranty, you must contact your authorized Sonance Dealer/Installer or call Sonance Customer Service at (949) 492-7777, must obtain a return merchandise number (RMA), and must deliver the Product to Sonance shipping prepaid during the warranty period, together with the original sales receipt, or invoice or other satisfactory proof of purchase.

In order to initiate a warranty claim:

1. Contact Sonance Technical Support with a description of the fault, the product's serial number and the date of purchase from an authorized Sonance dealer at: technicalsupport@sonance.com
2. Sonance Technical Support will follow-up and may request additional troubleshooting.
3. Once a determination has been made on the fault, Sonance Customer Service will follow-up by email. Please have a scanned copy of your product's sales invoice ready to send upon request to document the subwoofer's warranty status.
4. Sonance Customer Service will provide an RMA number to be included on the shipping label of the packaging. Please send the product back in its original factory carton, which has been specifically designed to protect it during transit.

Contact us at: <https://www.sonance.com/company/contact>

