

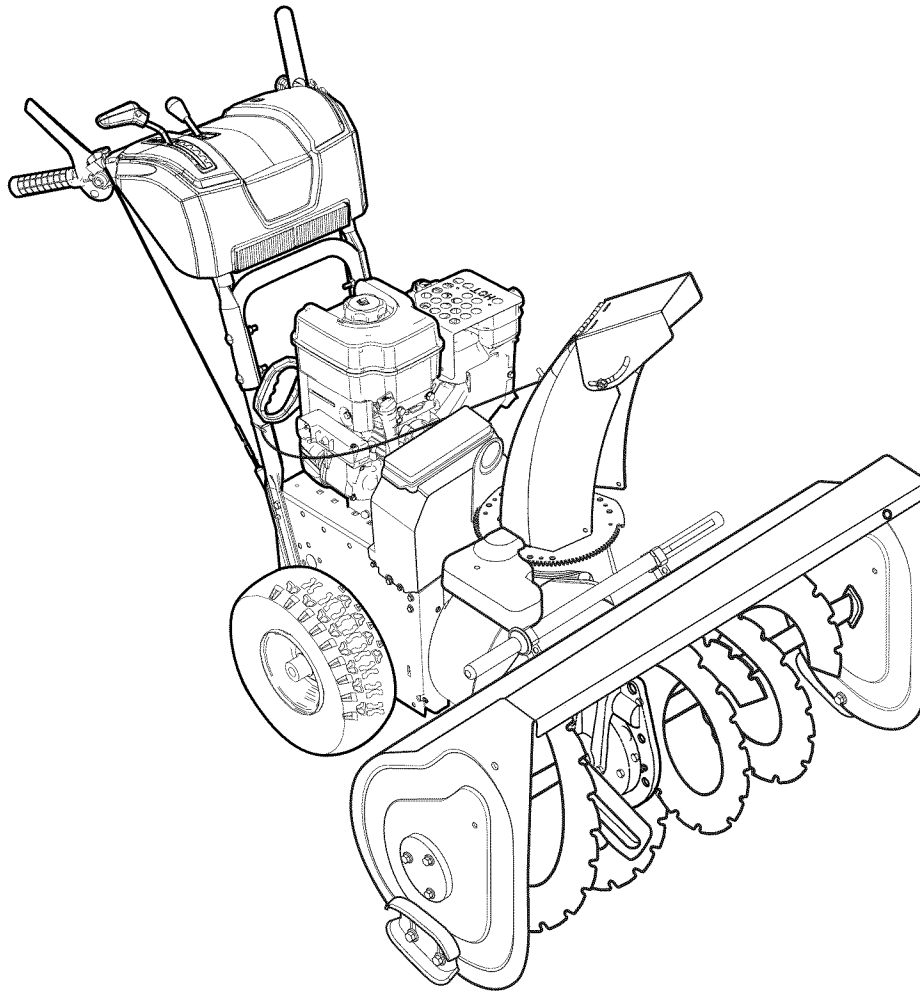
# Operator's Manual



## Dual Stage Snowthrower

Model No.

536.886180 (9.0 TP Briggs & Stratton with 27-Inch Clearing Width)



For answers to your questions about this product, call **Sears Craftsman Help Line** 1-800-659-5917.

Sears Brands Management Corporation, Hoffman Estates, IL 60179 U.S.A.  
Visit our Craftsman website: [www.craftsman.com](http://www.craftsman.com)

1753910  
Revision A



# TABLE OF CONTENTS

Front Cover .....	1
Operator Safety .....	4
Features and Controls .....	10
Operation .....	12
Snowthrower Safety Tests .....	12
Maintenance .....	19
Troubleshooting .....	24
Specifications .....	26
Warranty .....	27
Repair Protection Agreement.....	28
Service Parts.....	PTS-1

## General Information

**Thank you** for purchasing this quality-built CRAFTSMAN snowthrower. We're pleased that you've placed your confidence in the CRAFTSMAN brand. When operated and maintained according to the instructions in this manual, your CRAFTSMAN product will provide many years of dependable service.

**This manual contains** safety information to make you aware of the hazards and risks associated with snowthrowers and how to avoid them. This snowthrower is designed and intended only for snow throwing and is not intended for any other purpose. It is important that you read and understand these instructions thoroughly before attempting to start or operate this equipment. **Save these instructions for future reference.**

## Product Reference Data

When contacting your authorized dealer for replacement parts, service, or information you **MUST** have these numbers.

### Snowthrower

Model Number \_\_\_\_\_

Revision \_\_\_\_\_

Serial Number \_\_\_\_\_

### Engine

Model Number \_\_\_\_\_

Revision \_\_\_\_\_

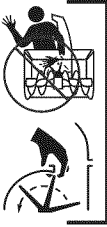














Serial Number \_\_\_\_\_

**Date Purchased** \_\_\_\_\_




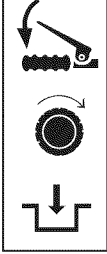
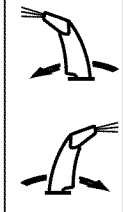








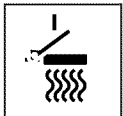




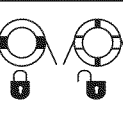

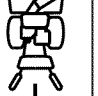


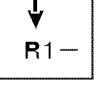


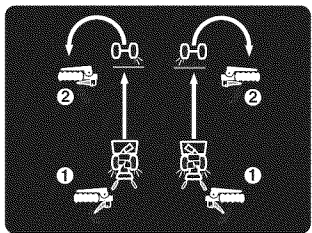
# OPERATOR SAFETY

## Hazard Symbols and Meanings

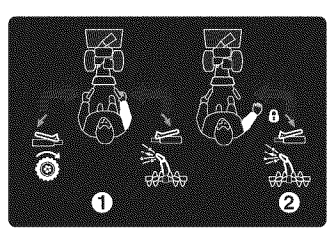
	Rotating Impeller		Fire		Thrown Objects		Eye Protection
	Rotating Auger		Shock		Explosion		Moving Parts
	Rotating Parts		Hot Surface		Toxic Fumes		Kickback
			Safe Distance		Ear Protection		Hazardous Chemical
			Rotating Gears				

## Control Symbols on Equipment

	Oil		Slow		Engine On-Off		Traction Control		Discharge Chute
	Fuel		Fast		Choke-Run		Auger Control		Chute Deflector
	Fuel Shutoff		Auger Clutch		Engine Primer		Heated Hand Grips		
	Choke Off		Forward		Engine Run		Electric Start		Wheel Lock
	Choke On		Neutral		Engine Stop				
	Stop		Reverse						



**Easy-Turn™  
Traction Control**





**Free-Hand™ Control**


**NOTE:** Not all control symbols shown on this page will appear on your snowthrower. See *Features and Controls* section for the applicable symbols.

## Safety Alert Symbol and Signal Words

The safety alert symbol  and signal word (DANGER, WARNING, CAUTION, or NOTICE) is used to indicate the likelihood and potential severity of personal injury and/or damage to the product. In addition, a hazard symbol may be used to represent the type of hazard.

 **DANGER** indicates a hazard which, if not avoided, **will result in death or serious injury**.

 **WARNING** indicates a hazard which, if not avoided, **could result in death or serious injury**.

 **CAUTION** indicates a hazard which, if not avoided, **could result in minor or moderate injury**.

**NOTICE** indicates a situation that **could result in damage to the product**.

### **WARNING**

Certain components in this product and its related accessories contain chemicals known to the state of California to cause cancer, birth defects, or other reproductive harm. Wash hands after handling.

### **WARNING**

The engine exhaust from this product contains chemicals known to the State of California to cause cancer, birth defects, or other reproductive harm.

### **DANGER**

- Hand contact with the rotating impeller inside the discharge chute is the most common cause of injury associated with snowthrowers.
- This snowthrower is capable of amputating hands and feet, and throwing objects. Read and observe all the safety instructions in this manual. Failure to do so will result in death or serious injury.

## Read the Manual



### **DANGER**

**Read, understand, and follow all the instructions on the snowthrower and in the operator's manual before operating this unit. Failure to observe the safety instructions in this manual will result in death or serious injury.**

- Be thoroughly familiar with the controls and the proper use of the snow thrower.
- Make sure you are properly trained before operating the snowthrower.
- Know how to stop the unit and disengage the controls quickly.
- Never allow anyone to operate the snowthrower without proper instruction.
- Always follow the instructions in the operator's manual, if the snowthrower will be stored for an extended period.
- Maintain or replace safety and instruction labels as necessary.
- Never attempt to make major repairs on the snowthrower unless you have been properly trained. Improper servicing of the snowthrower can result in hazardous operation, equipment damage, and voiding of the product warranty.

## Discharge Chute




### **DANGER**

Discharge chute contains rotating impeller to throw snow. **Never clear or unclog the discharge chute with your hands. Fingers can quickly become caught in the impeller. Always use a clean-out tool.**

**Failure to observe these safety instructions will result in traumatic amputation or severe laceration.**


#### **TO SAFELY CLEAR A CLOGGED DISCHARGE CHUTE**

 **DANGER:** Hand contact with the rotating impeller inside the discharge chute is the most common cause of injury associated with snow throwers. **Never use your hands to clean out the discharge chute.**


#### **FOLLOW THESE INSTRUCTIONS:**

1. Shut OFF the engine.
2. Wait 10 seconds to be sure the impeller blades have stopped rotating.
3. Always use a clean-out tool, not your hands.

## Operation and Equipment Safety

	<p align="center"><b>⚠ DANGER</b></p>
<p><b>This snowthrower is only as safe as the operator. If it is misused, or not properly maintained, it can be dangerous. Remember you are responsible for your safety and that of those around you.</b></p>	
<ul style="list-style-type: none"> <li>• Keep the area of operation clear of all persons, particularly small children and pets.</li> <li>• Thoroughly inspect the area where the snowthrower will be used and remove all doormats, sleds, boards, wires, and other foreign objects.</li> <li>• Do not operate the snowthrower without wearing adequate winter clothing.</li> <li>• Wear footwear that will improve footing on slippery surfaces.</li> <li>• Use caution to avoid slipping or falling especially when operating the snowthrower in reverse.</li> <li>• Never operate the snowthrower without good visibility or light. Always be sure of your footing, and keep a firm hold on the handles.</li> <li>• Do not clear snow across the face of slopes. Use extreme caution when changing direction on slopes. Do not attempt to clear steep slopes.</li> <li>• Do not overload the machine capacity by attempting to clear snow too quickly.</li> <li>• Never operate the snowthrower at high transport speeds on slippery surfaces. Look behind the snowthrower and use care when operating in reverse.</li> <li>• Do not use the snowthrower on surfaces above ground level such as roofs of residences, garages, porches, or other such structures or buildings.</li> <li>• Operators should evaluate their ability to operate the snowthrower safely enough to protect themselves and others from injury.</li> <li>• The snowthrower is intended to remove snow only. Do not use the snow thrower for any other purpose.</li> <li>• Do not carry passengers.</li> <li>• After striking a foreign object, shut OFF the engine, disconnect the cord on electric motors, thoroughly inspect the snowthrower for any damage, and repair the damage before restarting and operating the snowthrower.</li> <li>• If the snowthrower vibrates abnormally, shut OFF the engine. Vibration is generally a warning of trouble. See an authorized dealer if necessary for repairs.</li> <li>• For models equipped with electric starting motors, disconnect the power cord after the engine starts.</li> </ul>	


## Fuel Handling

	<p align="center"><b>⚠ DANGER</b></p>
<p><b>Fuel and its vapors are extremely flammable and explosive. Always handle fuel with extreme care.</b></p> <p><b>Failure to observe these safety instructions can cause a fire or explosion which will result in severe burns or death.</b></p>	
<p><b>WHEN ADDING FUEL</b></p>	
<ul style="list-style-type: none"> <li>• Turn off engine and let cool at least 2 minutes before removing the fuel cap and adding fuel.</li> <li>• Fill fuel tank outdoors or in a well ventilated area.</li> <li>• Do not overfill the fuel tank. To allow for the expansion of gasoline, do not fill above the bottom of the fuel tank neck.</li> <li>• Keep fuel away from sparks, open flames, pilot lights, heat, and other ignition sources.</li> <li>• Check fuel lines, cap, and fittings frequently for cracks or leaks. Replace if necessary.</li> <li>• Use an approved fuel container.</li> <li>• If fuel spills, wait until it evaporates before starting engine.</li> </ul>	
<p><b>WHEN STARTING ENGINE</b></p>	
<ul style="list-style-type: none"> <li>• Ensure that spark plug, muffler, fuel cap, and air cleaner (if equipped) are in place and secured.</li> <li>• Do not crank the engine with the spark plug removed.</li> <li>• If fuel is spilled, do not attempt to start the engine, but move the snowthrower away from the area of the spill, and avoid creating any source of ignition, until the fuel vapors have dissipated.</li> <li>• Do not over-prime the engine. Follow the engine starting instructions in this manual.</li> <li>• If the engine floods, set choke (if equipped) to OPEN/RUN position, move throttle (if equipped) to FAST position and crank until engine starts.</li> </ul>	
<p><b>WHEN OPERATING EQUIPMENT</b></p>	
<ul style="list-style-type: none"> <li>• Do not tip the snowthrower at an angle which causes the fuel to spill.</li> <li>• Do not choke the carburetor to stop the engine.</li> <li>• Never run the engine with the air cleaner assembly (if equipped) or the air filter (if equipped) removed.</li> </ul>	
<p><b>WHEN CHANGING OIL</b></p>	
<ul style="list-style-type: none"> <li>• If you drain the oil from the top oil fill tube, the fuel tank must be empty or fuel can leak out and result in a fire or explosion.</li> </ul>	
<p><b>WHEN TRANSPORTING EQUIPMENT</b></p>	
<ul style="list-style-type: none"> <li>• Transport with fuel tank EMPTY, or with fuel shut-off valve OFF.</li> </ul>	
<p><b>WHEN STORING GASOLINE OR EQUIPMENT WITH FUEL IN TANK</b></p>	
<ul style="list-style-type: none"> <li>• Store away from furnaces, stoves, water heaters, or other appliances that have pilot light or other ignition source because they can ignite fuel vapors.</li> </ul>	


## Moving Parts

	<p style="text-align: center;"><b>⚠ DANGER</b></p> <p>Keep hands, feet, and clothing away from rotating parts. Rotating parts can contact or entangle hands, feet, hair, clothing, or accessories.</p> <p>Failure to observe these safety instructions will result in traumatic amputation or severe laceration.</p>
<ul style="list-style-type: none"> <li>• Whenever cleaning, repairing, or inspecting the snowthrower, make sure the engine is OFF, spark plug wire is disconnected, and all moving parts have stopped.</li> <li>• Do not put hands or feet near or under rotating parts. Keep clear of the discharge opening at all times.</li> <li>• Never operate the snowthrower without proper guards, and other safety devices in place and working.</li> <li>• Never leave the snowthrower unattended while engine is running. Always disengage the auger and traction controls, stop engine, and remove keys.</li> <li>• Keep all loose clothing away from the front of the snowthrower and auger. Scarves, mittens, dangling drawstrings, loose clothes, and pants can quickly become caught in the rotating device and amputation will occur. Tie up long hair and remove jewelry.</li> <li>• Run the machine a few minutes after discharging snow to prevent freeze-up of the collector/impeller.</li> <li>• Disengage power to the collector/impeller when snowthrower is transported or not in use.</li> </ul>	

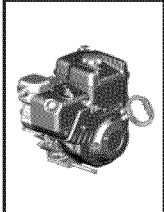
## Thrown Objects

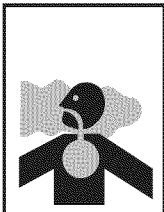
	<p style="text-align: center;"><b>⚠ DANGER</b></p> <p>Objects can be picked up by auger and thrown from chute. Never discharge snow toward bystanders or allow anyone in front of the snowthrower. Failure to observe these safety instructions will result in death or serious injury.</p>
<ul style="list-style-type: none"> <li>• Always wear safety glasses or eye shields during operation, and while performing an adjustment or repair.</li> <li>• Always be aware of the direction the snow is being thrown. Nearby pedestrians, pets, or property may be harmed by objects being thrown.</li> <li>• Be aware of your environment while operating the snowthrower. Don't run over items such as gravel, doormats, newspapers, toys, and rocks hidden under snow, as they can all be thrown from the chute or jam in the auger.</li> <li>• Use extreme caution when operating on or crossing gravel drives, walks, or roads.</li> <li>• Adjust the collector housing height to clear gravel or crushed rock surface.</li> <li>• Never operate the snowthrower near glass enclosures, automobiles, window wells, drop-offs, and the like without proper adjustment of the discharge chute angle.</li> <li>• Familiarize yourself with the area in which you plan to operate the snow thrower. Mark off boundaries of walkways and driveways.</li> </ul>	

## Children




	<p style="text-align: center;"><b>⚠ DANGER</b></p> <p>Tragic accidents can occur if the operator is not alert to the presence of children. Children are often attracted to the unit and the operating activity. Never assume that children will remain where you last saw them.</p>
<ul style="list-style-type: none"> <li>• Keep children out of the area during operation. Children are often attracted to the equipment. Be mindful of all persons present.</li> <li>• Be alert and turn unit off if children enter the area.</li> <li>• Never allow children to operate the unit.</li> <li>• Use extra care when approaching blind corners, shrubs, trees, or other objects that may obscure vision. Children may be present.</li> </ul>	





## Engine Safety

	<p style="text-align: center;"><b>⚠ DANGER</b></p> <p>Safe operation of the snowthrower requires the proper care and maintenance of the engine. Failure to observe the safety instructions in this manual will result in death or serious injury.</p>
<ul style="list-style-type: none"> <li>• Disengage all clutches and shift into neutral before starting the engine.</li> <li>• Let the engine adjust to outdoor temperatures before starting to clear snow.</li> <li>• Use a grounded three-wire plug-in for all snowthrowers equipped with electric drive motors or electric starting motors.</li> </ul>	

	<p style="text-align: center;"><b>⚠ DANGER</b></p> <p>Engines give off carbon monoxide, an odorless, colorless, poison gas. Breathing carbon monoxide can cause nausea, fainting, or death.</p>
<ul style="list-style-type: none"> <li>• Start and run engine outdoors.</li> <li>• Do not run the engine in an enclosed area, even if doors or windows are open.</li> </ul>	

## Engine Safety (Continued)

 	 <b>WARNING</b>
	<p>Starting engine creates sparking. Sparking can ignite nearby flammable gases. Explosion and fire could result.</p>
<ul style="list-style-type: none"> <li>• If there is natural or LP gas leakage in area, do not start engine.</li> <li>• Do not use pressurized starting fluids because vapors are flammable.</li> </ul>	

  	 <b>WARNING</b>
	<p>Running the engine produces heat. Engine parts, especially muffler, become extremely hot. Failure to observe these safety instructions could result in severe thermal burns on contact.</p>
<ul style="list-style-type: none"> <li>• Never touch a hot engine or muffler. Allow muffler, engine cylinder, and fins to cool before touching.</li> <li>• Remove debris from muffler area and cylinder area.</li> <li>• Install and maintain in working order a spark arrester before using equipment on forest-covered, grass-covered, or brush-covered unimproved land.</li> <li>• It is a violation of California Public Resource Code, Section 4442, to use or operate the engine on any forest-covered, brush-covered, or grass-covered land unless the exhaust system is equipped with a spark arrester, as defined in Section 4442, maintained in effective working order. Other states or federal jurisdictions may have similar laws. Contact the original equipment manufacturer, retailer, or dealer to obtain a spark arrester designed for the exhaust system installed on this engine.</li> </ul>	

## Maintenance and Storage

	 <b>WARNING</b>
	<p>This snowthrower must be properly maintained to ensure safe operation and performance. Failure to observe the safety instructions in this manual could result in death or serious injury.</p>
<ul style="list-style-type: none"> <li>• When performing any maintenance or repairs on the snowthrower, shut OFF the engine, disconnect spark plug wire, and keep the wire away from the plug to prevent someone from accidentally starting the engine.</li> <li>• Check shear bolts and other hardware at frequent intervals for proper tightness to be sure the snowthrower is in safe working condition.</li> <li>• Keep nuts and bolts tight and keep snowthrower in good condition.</li> <li>• Never tamper with safety devices. Check their proper operation regularly and make necessary repairs if they are not functioning properly.</li> <li>• Components are subject to wear, damage, and deterioration. Frequently check components and replace with recommended parts, when necessary.</li> <li>• Check control operation frequently. Adjust and service as required.</li> <li>• Use only factory authorized replacement parts, or equivalent, when making repairs.</li> <li>• Always comply with factory specifications on all settings and adjustments.</li> <li>• Only authorized service locations should be utilized for major service and repair requirements.</li> <li>• Use only attachments and accessories approved by the factory (such as wheel weights, counterweights, or cabs).</li> <li>• Never attempt to make any adjustments while the engine is running (except when specifically recommended by the factory).</li> </ul>	

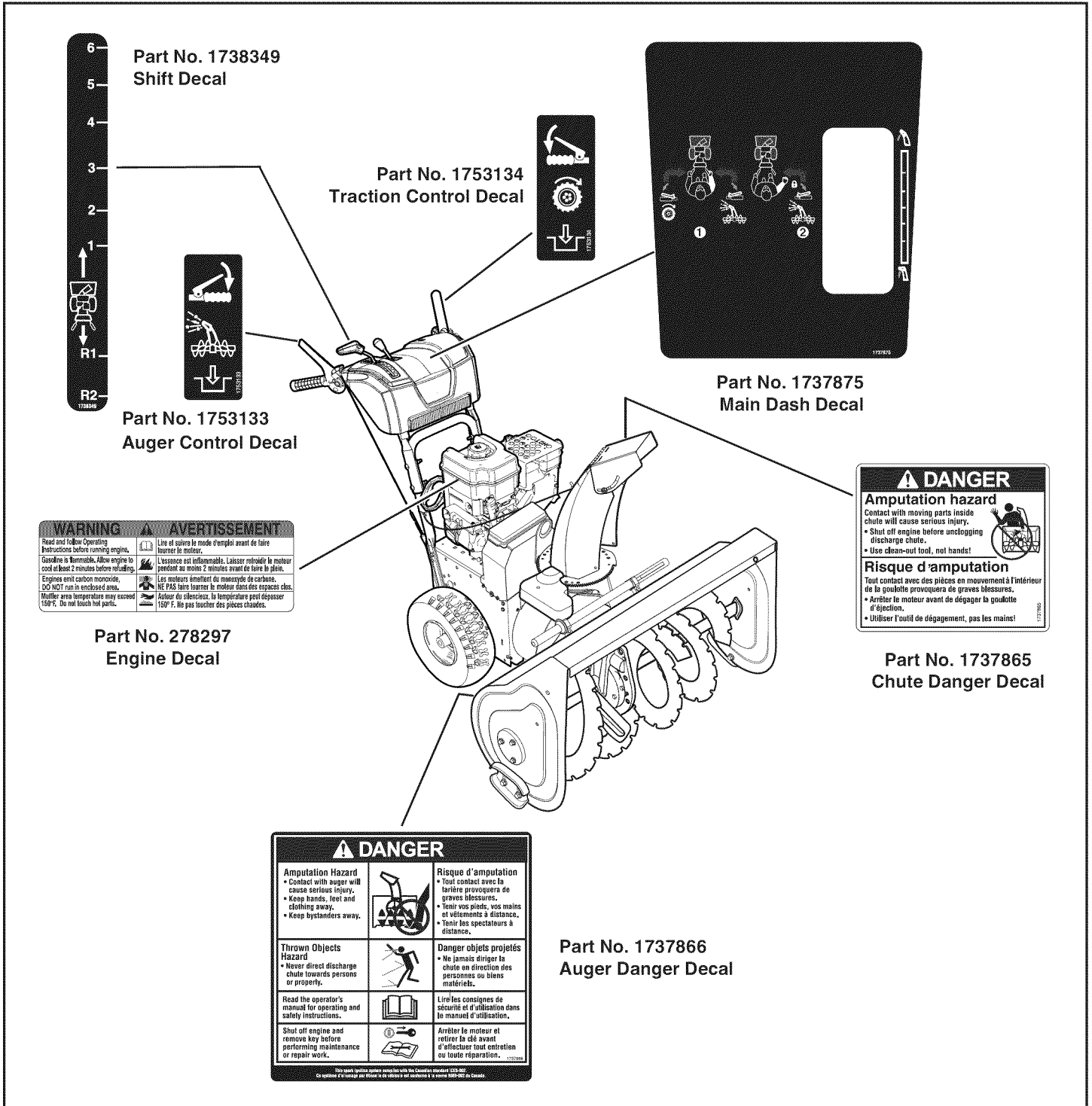


Look for this symbol to indicate important safety precautions. This symbol indicates: "Attention! Become Alert! Your Safety Is At Risk."



**WARNING:** If any safety decals become worn or damaged and cannot be read, order replacement decals from your local dealer.

Before operating your snowthrower, read the safety decals as shown on your snowthrower. The cautions and warnings are for your safety. To avoid a personal injury or damage to your snowthrower, understand and follow all the safety decals.

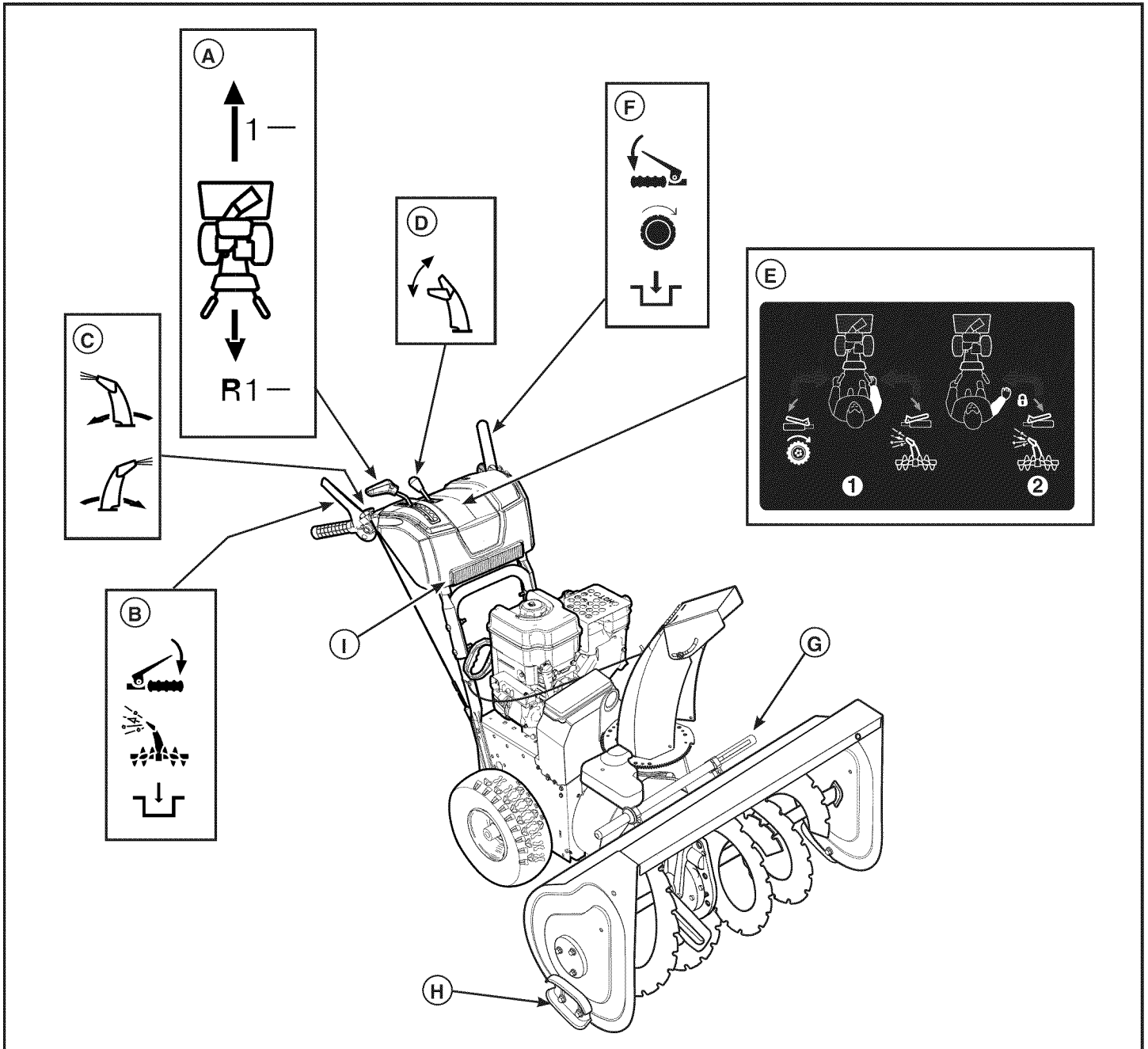


Safety Decals

Figure 1



# FEATURES AND CONTROLS



Snowthrower Controls

Figure 2

## SNOWTHROWER CONTROLS

**A. Speed Select Lever** — Allows the operator to use one of six (6) forward and two (2) reverse speeds (see Figure 2). To shift, move speed select lever to desired position.

**NOTICE:** Do not move speed select lever while Traction Control is engaged. This may result in severe damage to the drive system.

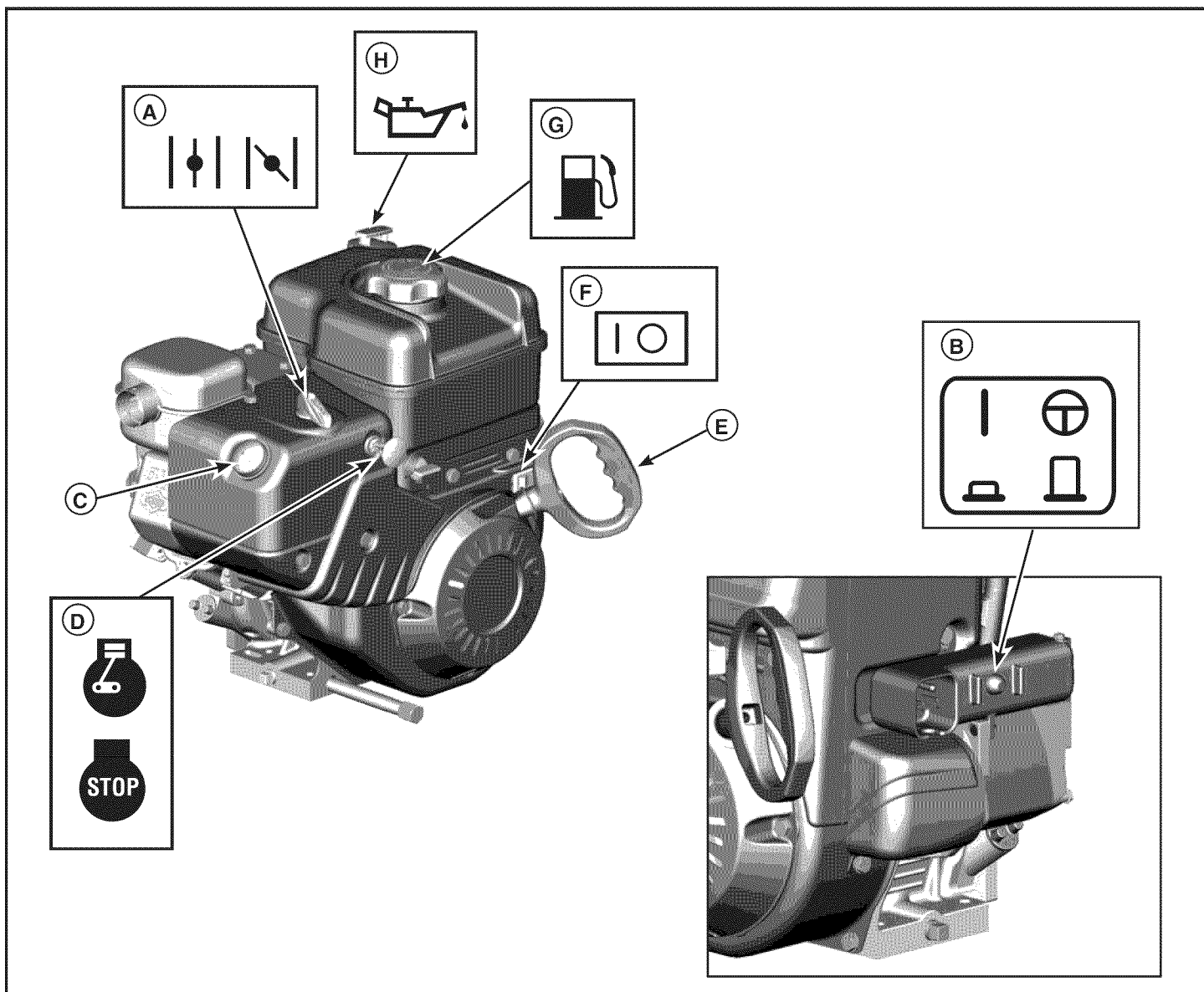
**B. Auger Control Lever** — Used to engage and disengage the auger and impeller. To engage push down, to disengage release.

**C. Chute Rotation Switch** — Used to rotate the discharge chute to the left or right.

**D. Deflector Control Lever** — Used to control the angle of the chute deflector (up or down).

**E. Free-Hand™ Control** — After engaging the traction control (left hand) and auger control (right hand), allows the operator to release the auger control lever to use the other controls.

**F. Traction Control Lever** — Used to propel snowthrower forward or reverse. Push down to engage, release to disengage.



Engine Controls

Figure 3

**SNOWTHROWER CONTROLS (Continued)**

- G. Clean-Out Tool** — Used to remove snow and debris from the discharge chute and the auger housing.
- H. Skid Shoe** — Used to adjust the ground clearance of the auger housing.
- I. Headlight** — Used to operate the snowthrower in poor lighting conditions.

**ENGINE CONTROLS**

- A. Choke Control Knob** — Used to start a cold engine (see Figure 3).
- B. Electric Start Button** — Used to start the engine using the electric starter.

- C. Primer Button** — Used to inject fuel directly into the carburetor manifold to ensure fast starts in cool weather.
- D. Safety Key** — Must be inserted to start engine. Pull out to stop. Do not turn safety key.
- E. Starter Cord Handle** — Used to start the engine manually.
- F. ON/OFF Switch** — Used to start and stop the engine.
- G. Fuel Tank and Cap** — Fill the fuel tank to approximately 1-1/2 in. (38 mm) below the top of the neck to allow for fuel expansion.
- H. Oil Fill Cap (Extended Dipstick)**



# OPERATION

## BEFORE OPERATING SNOWTHROWER

- Check the fasteners. Make sure all fasteners are tight.
- On electric start models, the unit was shipped with the starter cord plugged into the engine. Before operating, unplug the starter cord from the engine.

**NOTE:** This snowthrower was shipped WITH OIL in the engine. See *Check the Oil (Before Starting Engine)* instructions in this section before starting engine.



**WARNING:** The operation of any snowthrower can result in foreign objects being thrown into the eyes, which can result in severe eye damage. Always wear safety glasses or eye shields before beginning snowthrower operation. We recommend standard safety glasses or Wide Vision Safety Mask over spectacles.

## SNOWTHROWER SAFETY TESTS

### Test 1 - Auger/Impeller

- Release auger control (right-hand).
- Auger/impeller stops in less than 5 seconds.

### Test 2 - Traction Drive

- Release traction control (left-hand).
- Snowthrower forward/reverse motion stops.

### Test 3 - Free-Hand Control (if equipped)

- Engage auger control and traction control.
- Release auger control immediately followed by the traction control (a) stops auger/impeller in less than 5 seconds, and (b) stops forward/reverse motion of snowthrower.



**DANGER:** The discharge chute contains a rotating impeller to throw snow. Never clear or unclog the discharge chute with your hands. Fingers can quickly become caught and traumatic amputation or severe laceration will result. Always use a clean-out tool to clear or unclog the discharge chute.



### WARNING:

- Hand contact with the rotating impeller inside the discharge chute is the most common cause of injury associated with snowthrowers.
- This snowthrower is capable of amputating hands and feet, and throwing objects. Read and observe all the safety instructions in this manual. Failure to do so will result in death or serious injury.

## OPERATE THE SNOWTHROWER



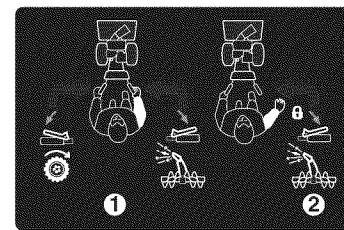
**CAUTION:** Operation with a Snow Cab. Wind may blow exhaust gasses back towards the operator. If you notice the smell of exhaust, change direction of operation.

**NOTICE:** Do not throw snow toward a building as hidden objects could be thrown with sufficient force to cause damage.

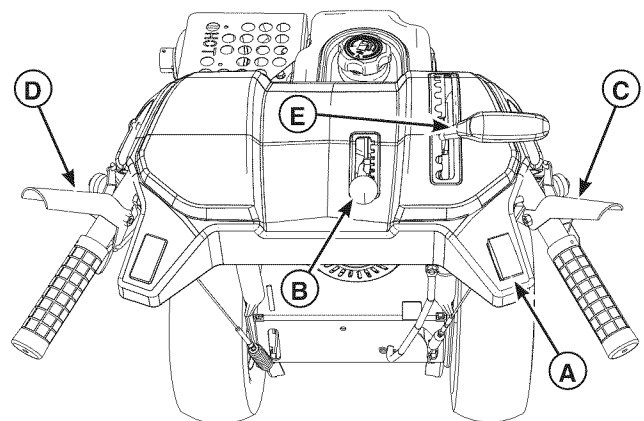
1. Start the engine. See *Start the Engine* in this section.
2. Press the chute rotation switch (A, Figure 4) to the UP/DOWN position to rotate the discharge chute left or right. See *Discharge Chute and Deflector* in this section.



**CAUTION:** Before operating, make sure the area in front of the snowthrower is clear of bystanders or obstacles.



Free-Hand™ Control



Control Levers

Figure 4

3. Push the deflector control lever (**B**) forward or pull back to control the angle of the chute deflector. See **Discharge Chute and Deflector** in this section.
4. Fully press and hold the auger control lever (**C**) to engage auger rotation. Releasing the auger control lever will disengage the auger - unless the Free-Hand™ control has been activated.
5. Fully press and hold the traction and Free-Hand™ control lever (**D**) to engage the traction drive and begin moving the snowthrower. To disengage the traction drive, completely release the lever.
6. When BOTH levers are pressed, the Free-Hand™ control is activated. This allows you to release the auger control lever to use the other controls. The auger will continue to rotate until the traction/Free-Hand™ control lever is released.

**NOTE: Always release the traction control lever before moving the speed select lever.**

7. Use the speed select lever (**E**) to select the forward drive speed. Set the speed select lever to one of the following positions as determined by snow conditions:
  - 1-2 Wet, Heavy, Slushy, Extra Deep
  - 3 Moderate
  - 4-5 Very Light
  - 6 Transport

**NOTE: When clearing wet, heavy, snow, it is recommended that the ground speed of the unit be reduced, full throttle be maintained and no attempt be made to clear the full width of the unit.**

8. To stop moving forward, release the traction control lever (**D**).
9. To move the snowthrower backwards, move the speed select lever into either first or second reverse position and engage the traction control lever.

## STOP THE SNOWTHROWER

1. Release the auger control lever (**C**, Figure 4).
2. Release the traction control lever (**D**).
3. Push the ON/OFF switch (**A**, Figure 12) to the OFF position and pull out the safety key (**B**).



**WARNING: Read Operator's Manual before operating machine. This machine can be dangerous if used carelessly.**

- Never operate the snowthrower without all guards, covers, and shields in place.
- Never direct discharge towards windows or allow bystanders near machine while engine is running.
- Stop the engine whenever leaving the operating position.
- Disconnect spark plug before unclogging the impeller housing or the discharge chute and before making repairs or adjustments.
- When leaving the machine, remove the safety key. To reduce the risk of fire, keep the machine clean and free from spilled gas, oil, and debris.

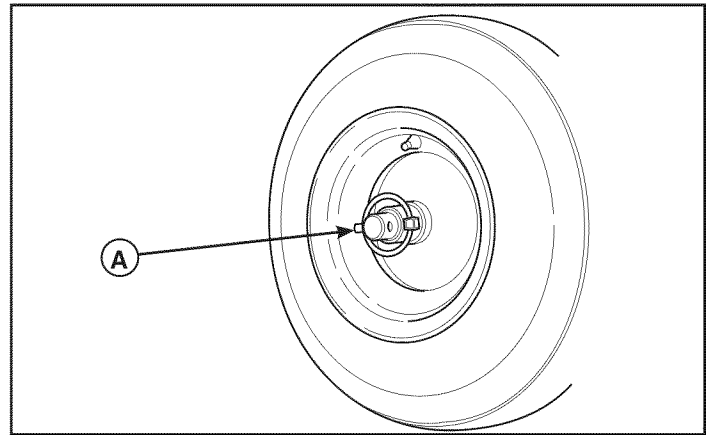


**WARNING: Never run engine indoors or in an enclosed, poorly ventilated area. Engine exhaust contains CARBON MONOXIDE, an ODORLESS and DEADLY GAS.**

- Keep hands, feet, hair, and loose clothing away from any moving parts on engine and snowthrower.
- Temperature of muffler and nearby areas can exceed 150°F (66°C). Avoid these areas.
- DO NOT allow children or young teenagers to operate or be near snowthrower while it is operating.

## TRACTION LOCK PIN

The right traction wheel can be completely released using the locking pin (A, Figure 5). This allows the unit to be easily moved with the engine off.



Traction Lock Pin

Figure 5

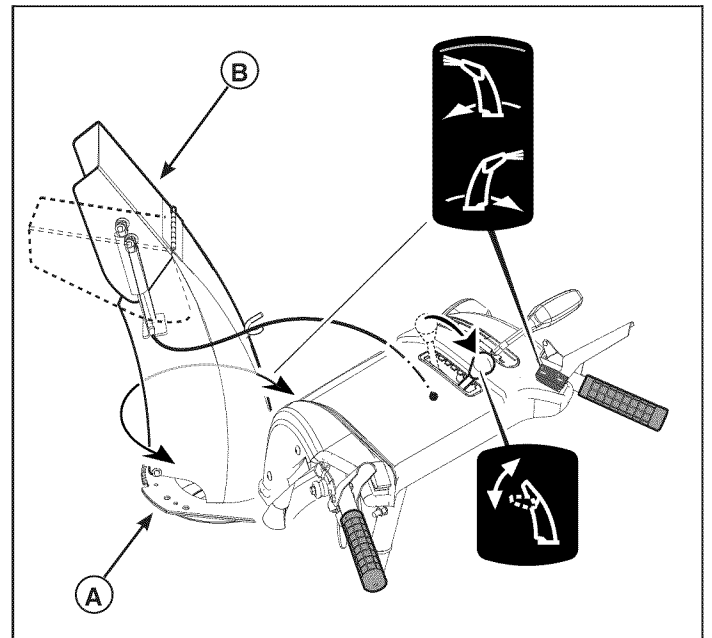
## DISCHARGE CHUTE AND DEFLECTOR

### Discharge Chute Rotation (Left/Right)

1. Press the chute rotation switch to the UP position and hold to rotate the chute to the left (A, Figure 6).
2. After the desired position is obtained, release the switch to the CENTER position to turn off.
3. Press the switch to the DOWN position and hold to rotate the chute to the right.

### Chute Deflector (Up/Down)

1. Push the deflector control lever FORWARD to provide a higher stream and greater distance (B, Figure 6).
2. Pull the deflector control lever BACK to provide a lower stream and less distance.



Discharge Chute and Deflector

Figure 6

## CHECK THE OIL (BEFORE STARTING ENGINE)

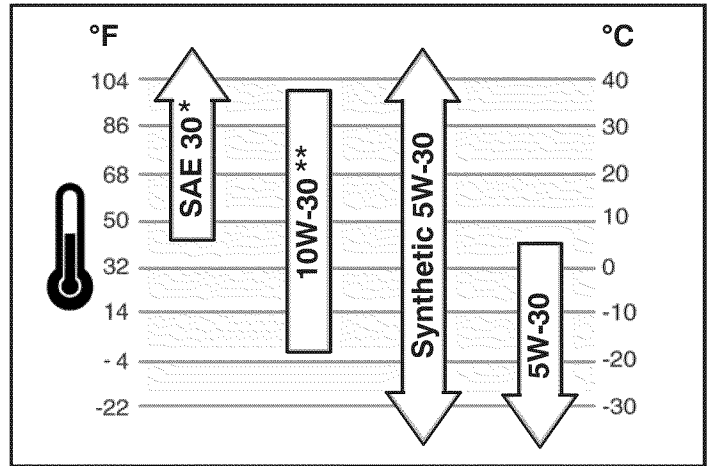
**NOTE:** The engine was shipped from the factory filled with oil. Check the level of the oil. Add oil as needed.

1. Make sure the unit is level. Use a high quality detergent oil classified "For Service SG, SH, SJ, SL, or higher".
2. Remove the oil fill cap/dipstick (A, Figure 7) and wipe with a clean cloth.
3. Insert the oil fill cap/dipstick and turn clockwise to tighten.
4. Remove the oil fill cap/dipstick and check the oil.

**NOTE:** Do not check the level of the oil while the engine runs.

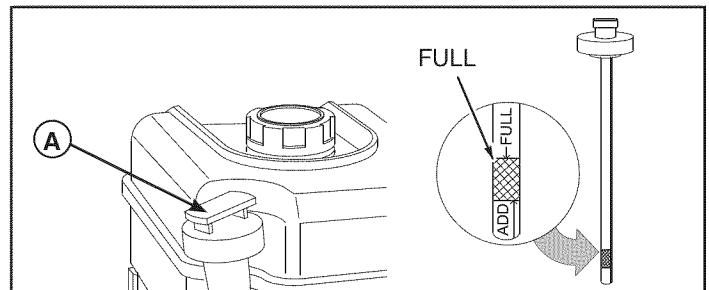
5. If necessary, add oil until the oil reaches the FULL mark on the oil fill cap/dipstick. Do not add too much oil.
6. Tighten the oil fill cap/dipstick securely each time you check the oil level.

**NOTE:** Synthetic 5W30 motor oil is acceptable for all temperatures. DO NOT mix oil with gasoline. See Chart for oil recommendations.



\* Below 40°F (4°C) the use of SAE 30 will result in hard starting.

\*\* Above 80°F (27°C) the use of 10W-30 may cause increased oil consumption. Check oil level more frequently.



Checking the Oil

Figure 7

## FUEL RECOMMENDATIONS

**Fuel must meet these requirements:**

- Clean, fresh, unleaded gasoline.
- A minimum of 87 octane/87 AKI (91 RON). High altitude use, see below.
- Gasoline with up to 10% ethanol (gasohol) or up to 15% MTBE (methyl tertiary butyl ether) is acceptable.

**NOTICE:** Do not use unapproved gasolines, such as E85. Do not mix oil in gasoline or modify the engine to run on alternate fuels. This will damage the engine components and void the engine warranty.

To protect the fuel system from gum formation, mix a fuel stabilizer into the fuel. All fuel is not the same. If starting or performance problems occur, change fuel providers or change brands. This engine is certified to operate on gasoline. The emissions control system for this engine is EM (Engine Modifications).

## High Altitude

At altitudes over 5,000 feet (1524 meters), a minimum 85 octane/85 AKI (89 RON) gasoline is acceptable. To remain emissions compliant, high altitude adjustment is required. Operation without this adjustment will cause decreased performance, increased fuel consumption, and increased emissions. See a Briggs & Stratton Authorized Dealer for high altitude adjustment information.

Operation of the engine at altitudes below 2,500 feet (762 meters) with the high altitude kit is not recommended.

## ADDING FUEL



### WARNING:



Fuel and its vapors are extremely flammable and explosive.



Fire or explosion can cause severe burns or death.

### When Adding Fuel

- Turn engine off and let engine cool at least 2 minutes before removing the fuel cap.
- Fill fuel tank outdoors or in well-ventilated area.
- Do not overfill fuel tank. To allow for expansion of the fuel, do not fill above the bottom of the fuel tank neck.
- Keep fuel away from sparks, open flames, pilot lights, heat, and other ignition sources.
- Check fuel lines, tank, cap, and fittings frequently for cracks or leaks. Replace if necessary.
- If fuel spills, wait until it evaporates before starting engine.

1. Clean the fuel cap area of dirt and debris. Remove the fuel cap (G, Figure 3).
2. Fill the fuel tank with fuel. To allow for expansion of the fuel, do not fill above the bottom of the fuel tank neck.
3. Reinstall the fuel cap.

## START THE ENGINE

Be sure that engine oil is at FULL mark on the oil fill cap/dipstick. The snowthrower engine is equipped with an AC electric starter and recoil starter. Before starting the engine, be certain that you have read the following information.

If engine floods, set the choke to the OPEN/RUN position and crank until the engine starts.



**WARNING:** The electric starter is equipped with a three-wire power cord and plug designed to operate on AC household current. The power cord must be properly grounded at all times to avoid the possibility of electric shock which can cause injury to the operator. Follow all instructions carefully as set forth:

Make sure your house has a three-wire grounded system.

If you are not sure, ask a licensed electrician. If your house does not have a three-wire grounded system, do not use this electric starter under any condition.

If your house has a three-wire grounded system but a three-hole receptacle is not available to connect the electric starter, have a three-hole receptacle installed by a licensed electrician.



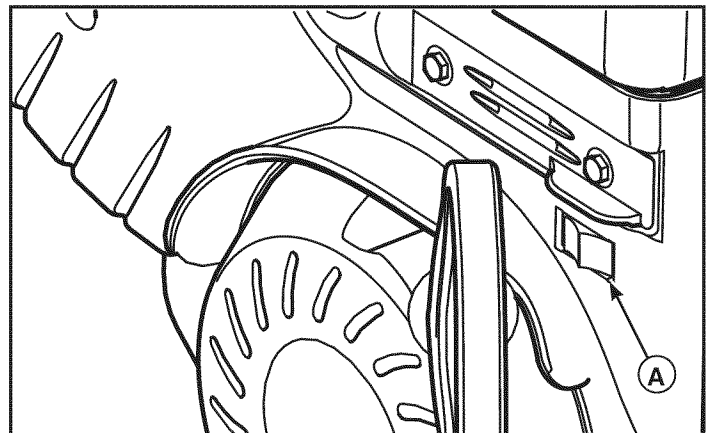
**WARNING:** To connect power cord, always connect the power cord first to the switch box located on the engine and then plug the other end into a three-hole grounded receptacle.



**WARNING:** To disconnect the power cord, always unplug the end connected to the three-hole grounded receptacle first.

### Start the engine as follows:

1. Check the oil level. See the **Check/Add Oil** section in the Engine Manual.
2. Make sure equipment drive controls are disengaged.
3. Push the ON /OFF switch (A, Figure 8) to the ON position.



Starting Engine

Figure 8

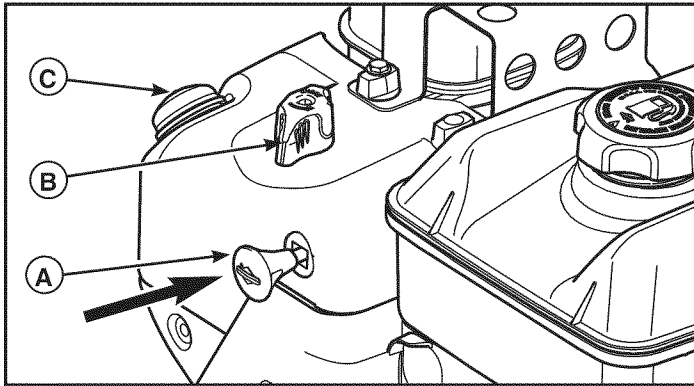
4. Insert the safety key (A, Figure 9) into the safety key slot and push fully in to the RUN position.
5. Turn the choke knob (B) fully clockwise if engine is cold.

**NOTE: Do not use the choke to start a warm engine.**

6. Push the primer button (C) two times.

**NOTE: Do not use the primer to start a warm engine.**

**NOTE: Ensure that electric extension cord is removed from the power receptacle.**



Inserting Safety Key

Figure 9

7. **Rewind Start:** Firmly hold the starter cord handle (A, Figure 10). Pull the starter cord slowly until resistance is felt, then pull rapidly.

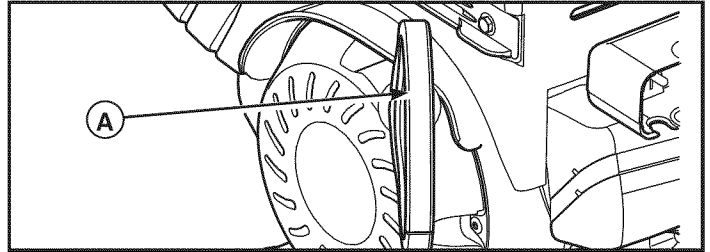
**WARNING:** Rapid retraction of the starter cord (kickback) will pull your hand and arm toward the engine faster than you can let go. Broken bones, fractures, bruises, or sprains could result. When starting engine, pull the starter cord slowly until resistance is felt and then pull rapidly to avoid kickback.

**NOTE: If the engine does not start after three attempts, see the Troubleshooting section in the Engine Manual.**

8. **Electric Start:** First connect the extension cord to the power cord receptacle and then into a wall receptacle. If additional extension cord is required, make sure it is three-wire.

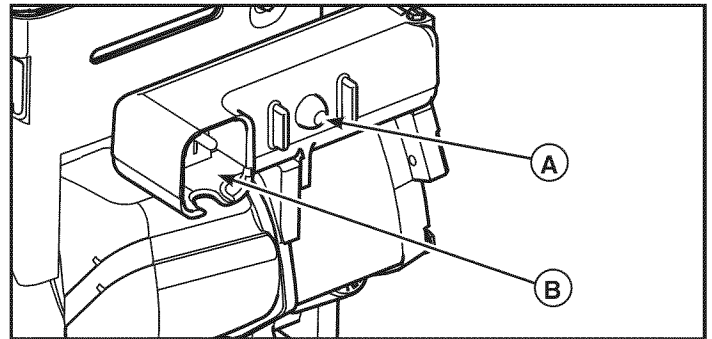
**WARNING:** If the extension cord is damaged, it must be replaced by the manufacturer (or its service agent) or a similarly qualified person to avoid a hazard.

9. **Electric Start:** Depress the starter push button (A, Figure 11). After you start the engine, first disconnect the extension cord from the wall receptacle and then from the power cord receptacle (B).



Starting with Cord Handle

Figure 10



Starting with Electric Start

Figure 11

**IMPORTANT:** To extend the life of the starter, use short starting cycles (five seconds maximum). Wait one minute between starting cycles.

**NOTE: If the engine does not start after three attempts, see the Troubleshooting section in the Engine Manual.**

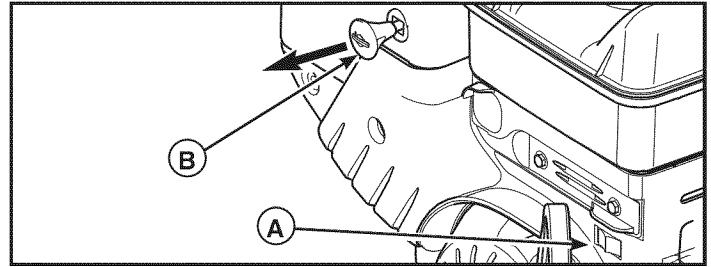
## STOP THE ENGINE

Before stopping the engine, idle for a few minutes to help dry off any moisture on the engine.

**WARNING:** Gasoline and vapors are extremely flammable and explosive. Fire or explosion can cause severe burns or death. **DO NOT** choke the carburetor to stop the engine.

1. Push the ON/OFF switch (A, Figure 12) to the OFF position.
2. Remove the safety key (B). Keep the safety key out of the reach of children.

**NOTE:** Do not lose the safety key. Keep the safety key in a safe place. The engine will not start without the safety/ignition key.



Stopping Engine

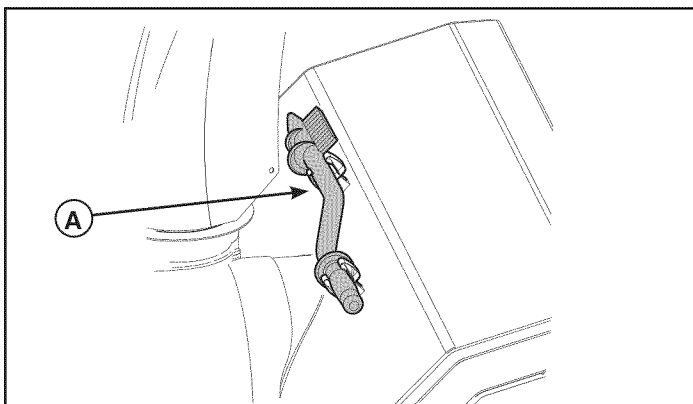
Figure 12

## CLEAR A CLOGGED DISCHARGE CHUTE

**DANGER:** Hand contact with the rotating impeller inside the discharge chute is the most common cause of injury associated with snowthrowers. Never clear or unclog discharge chute with your hands, or while engine is running. Fingers can quickly become caught and traumatic amputation or severe laceration can result.

- **SHUT OFF THE ENGINE!**
- Wait 10 seconds to be sure that the impeller blades have stopped rotating.
- Always use a clean-out tool, not your hands.

A clean-out tool (A, Figure 13) is attached to either the handle or the top of the auger housing. Use the clean-out tool to remove snow from the auger housing.



Clean-Out Tool

Figure 13

## OPERATING TIPS

1. Most efficient snowthrowing is accomplished when snow is removed immediately after it falls.
2. For complete snow removal, slightly overlap each swath previously taken.
3. Snow should be discharged downwind whenever possible.
4. For normal usage, set the skids 1/8 inch (3 mm) below the scraper bar. For extremely hard-packed snow surfaces, the skids may be adjusted upward to ensure cleaning efficiency.
5. On gravel or crushed rock surfaces, the skids should be set at 1-1/4 inch (32 mm) below the scraper bar (see **Adjust Skid Height** in the **Maintenance** section of this manual). Rocks and gravel must not be picked up and thrown by the machine.
6. After the snowthrowing job has been completed, allow the engine to idle for a few minutes, to melt snow and ice accumulated on the engine.
7. Clean the snowthrower thoroughly after each use.
8. Remove ice and snow accumulation and all debris from the entire snowthrower, and flush with water (if possible) to remove all salt or other chemicals. Wipe snowthrower dry.
9. Before starting snowthrower, always inspect augers and impeller for ice accumulation and/or debris, which could result in snowthrower damage.
10. Check oil level before every start. Make sure the oil is at the FULL mark on the oil fill cap/dipstick.

# MAINTENANCE

## MAINTENANCE CHART

SNOWTHROWER
<b>After Each Use</b>
Remove the snow and slush off snowthrower to prevent freezing of controls
<b>Every 8 Hours or Daily</b>
Perform snowthrower safety tests
<b>Every 25 Hours or Annually *</b>
Check tire pressure
Check snowthrower for loose hardware
<b>See Dealer Annually to</b>
Lubricate control levers and linkages
Lubricate deflector hinge
Lubricate deflector motor (if equipped)
Lubricate chute rotation gear (if equipped)

ENGINE
<b>First 5 Hours</b>
Change engine oil
<b>Every 8 Hours or Daily</b>
Check engine oil level
<b>Every 50 Hours or Annually *</b>
Change engine oil
Check muffler and muffler guard.
<b>See Dealer Annually to</b>
Replace spark plug
Check valve clearance

\* Not required unless there are problems with engine performance.

## EMISSIONS CONTROL STATEMENT

Maintenance, replacement, or repair of the emissions control devices and systems may be performed by any non-road engine repair establishment or individual. However, to obtain "no charge" emissions control service, the work must be performed by a factory authorized dealer. See the **Emissions Warranty** in the Engine Manual.

## ENGINE MAINTENANCE

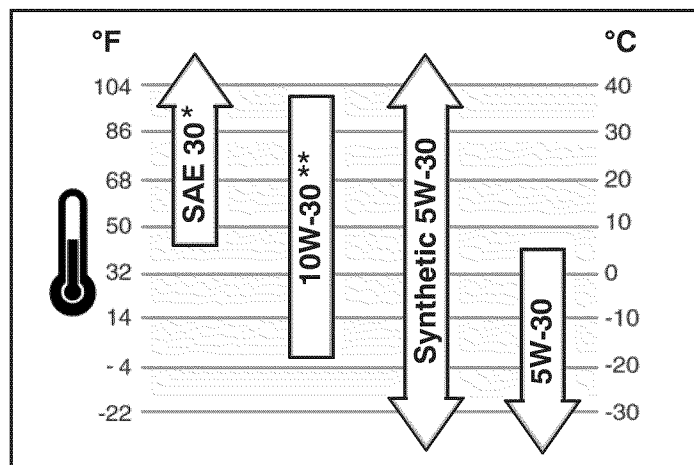
**Check Crankcase Oil Level** - Before starting engine and after each 8 hours of continuous use. Add the recommended motor oil as required.

**NOTE: Over filling the engine can affect performance. Tighten the oil fill cap securely to prevent leakage.**

**Change Oil** - Every 50 hours of operation or at least once a year, even if the snowthrower is not used for fifty hours. Use a clean, high quality detergent oil. Fill the crankcase to FULL line on dipstick (A, Figure 14). Be sure original container is marked: A.P.I. service "SG" or higher. Do not use SAE10W40 oil (as it may not provide proper lubrication). **See Chart for oil recommendations.**

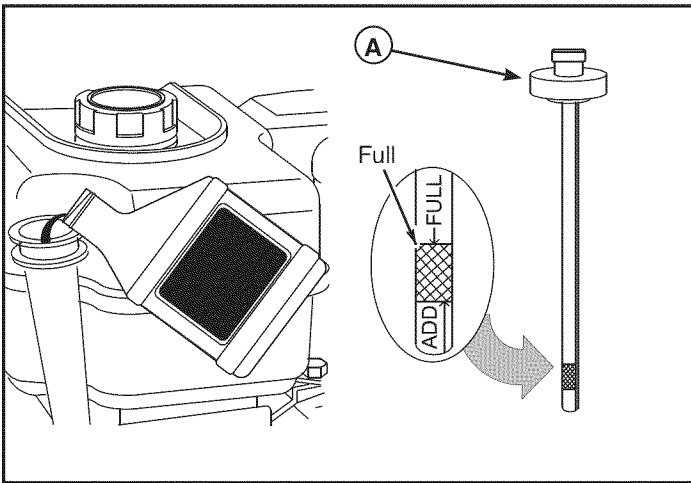
**Drain Oil** - Position snowthrower so that the oil drain plug (A, Figure 15) is lowest point on engine. When the engine is warm, remove oil drain plug and oil fill cap and drain oil into a suitable container.

Replace oil drain plug and tighten securely. Refill crankcase with the recommended motor oil.



\* Below 40°F (4°C) the use of SAE 30 will result in hard starting.

\*\* Above 80°F (27°C) the use of 10W-30 may cause increased oil consumption. Check oil level more frequently.



Check Crankcase Oil Level

Figure 14

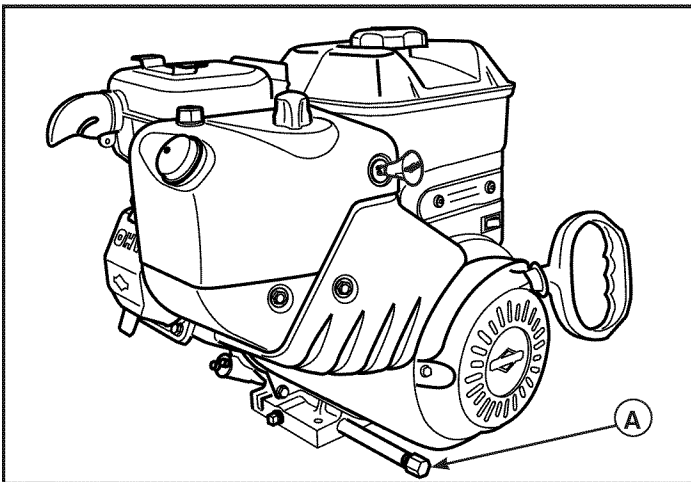
**To adjust skids, proceed as follows:**

1. Place a block (equal to height from ground desired) under scraper bar near but not under skid.
2. Loosen skid mounting nuts (A, Figure 16) and push the skid down (B) until it touches the ground. Retighten mounting nuts.
3. Set skid on other side at same height.

**NOTE:** Make sure that snowthrower is set at same height on both sides.



**WARNING:** Be certain to maintain proper ground clearance for your particular area to be cleared. Objects such as gravel, rocks, or other debris, if struck by the impeller, may be thrown with sufficient force to cause personal injury, property damage, or damage to the snowthrower.



Oil Drain Plug

Figure 15

**ADJUST SKID HEIGHT**

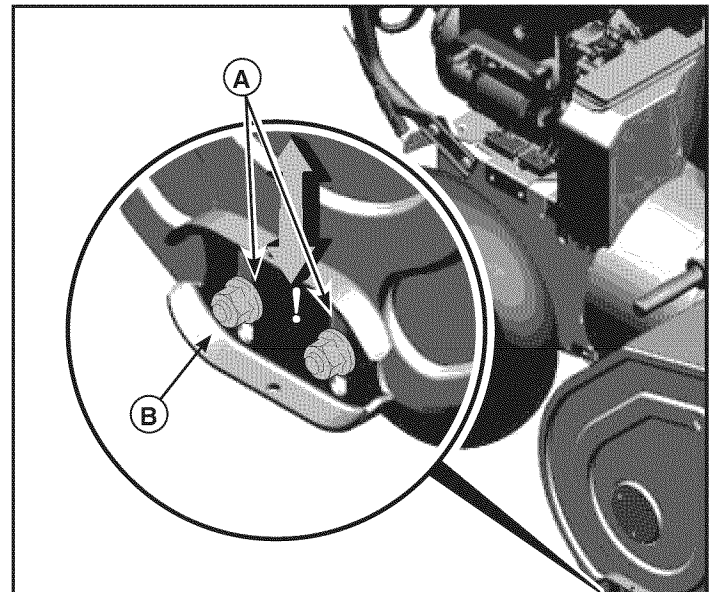


**WARNING:** Always turn unit off, remove ignition key, and disconnect the spark plug wire before making any repairs or adjustments.

This snowthrower is equipped with two height adjust skids, secured to the outside of the auger housing. These elevate the front of the snowthrower.

When removing snow from a hard surface area such as a paved driveway or walk, adjust the skids up to bring the front of the snowthrower down.

When removing snow from rock or uneven construction, raise the front of the snowthrower by moving the skids down. This will help to prevent rocks and other debris from being picked up and thrown by the augers.



Adjusting Skid Height

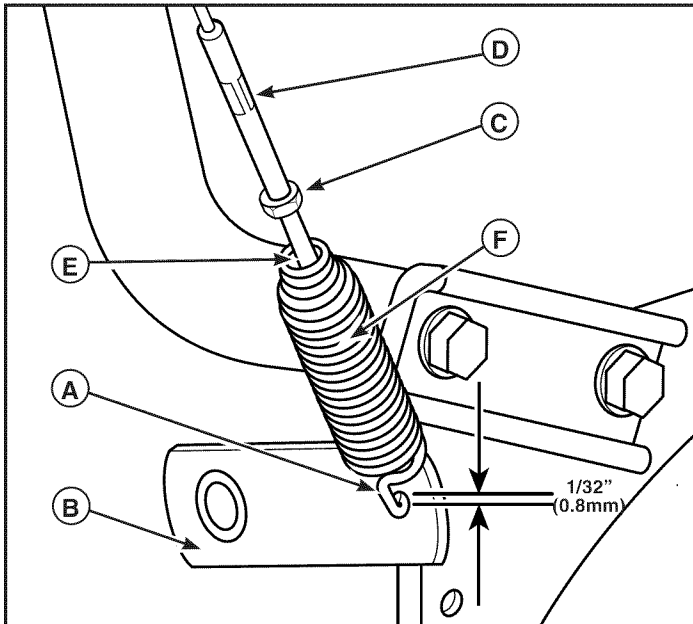
Figure 16

## AUGER CONTROL CABLE ADJUSTMENT



**WARNING:** Do not over-tighten, as this may lift the lever and cause the auger drive to be engaged without depressing the auger drive control.

1. With the auger control lever released, the hook (A, Figure 17) should barely touch the lever (B) without raising it. There can be a maximum of 1/32 in. (0.8 mm) clearance.
2. To adjust, loosen the nut (C) by holding the adjusting flats (D) and turning the nut. Then, turn the adjusting flats and hold the adjustment screw (E). The adjustment screw is a phillips screw and the head can be held or turned by inserting a screwdriver through the spring (F).
3. Hold the adjusting flats and tighten the nut.
4. Start the engine and check the auger. The auger must not be engaged unless the auger control lever is depressed.
5. With the engine running, fully depress the auger drive control lever. The auger should engage and run normally.



Adjusting Auger Control Cable

Figure 17



**WARNING:** The auger must stop within 5 seconds. If it does not, contact Sears Service.

6. Release the auger control lever.
7. If the auger does not operate properly, stop the engine and recheck the auger control cable adjustment.
8. If the drive linkage is properly adjusted, the tension of the auger drive belt may require an adjustment. See an authorized dealer.

## CHECK THE TIRES

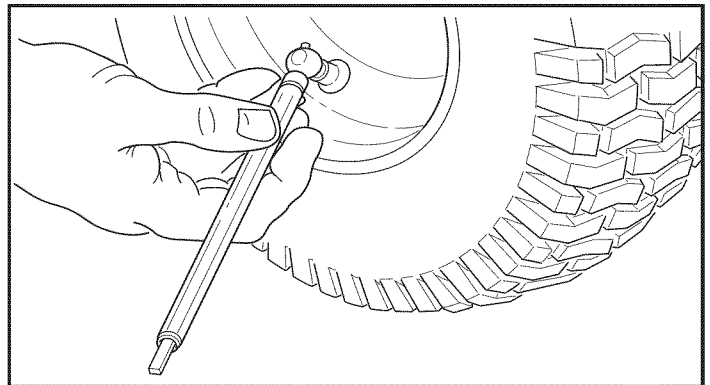
Check tires for damage. Check the air pressure in the tires with an accurate gauge (see Figure 18).



**CAUTION:** Avoid Injury! Explosive separation of tire and rim parts is possible when they are serviced incorrectly.

- Do not attempt to mount a tire without the proper equipment and experience to perform the job.
- Do not inflate the tires above the recommended pressure.
- Do not weld or heat a wheel and tire assembly. Heat can cause an increase in air pressure resulting in an explosion. Welding can structurally weaken or deform the wheel.
- Do not stand in front or over the tire assembly when inflating. Use appropriate tool that allows you to stand to one side.

**NOTICE:** Check side of tire for maximum tire pressure. DO NOT exceed maximum.



Checking Tire Air Pressure

Figure 18

## AUGER SHEAR PIN REPLACEMENT

The augers are secured to the auger shaft with special shear pins that are designed to break if an object becomes lodged in the auger housing. Use of a harder grade shear pin will reduce the protection provided by the shear pin.

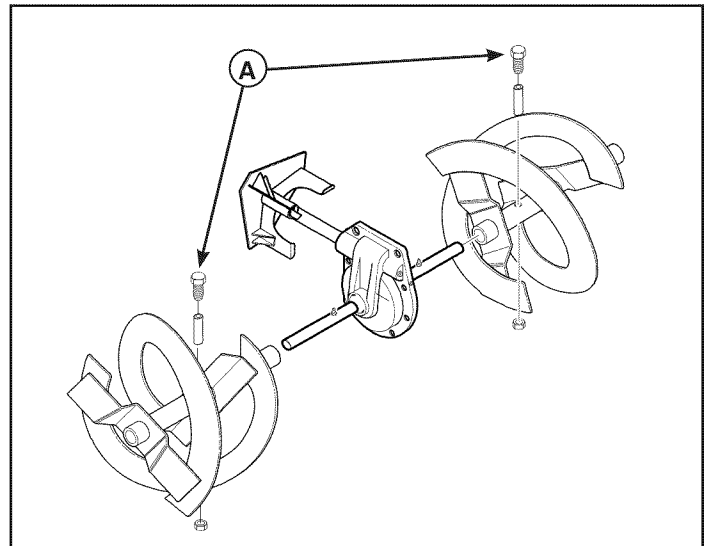
**WARNING:** Do not go near the discharge chute or auger when the engine is running. Do not run the engine if any cover or guard is removed.

Under most circumstances, if the auger strikes an object which could cause damage to the unit, the shear pin will break. This protects the gear box and other parts from damage.

The shear pins (**A**, Figure 19) are located on the auger shaft. Replace a broken shear pin as follows.

1. Tap out the broken shear pin with a pin punch.
2. Install a new shear pin and cotter pin. Bend the ends of the cotter pin down.

**IMPORTANT:** Do not replace shear pins with anything other than the correct grade replacement shear pin. Use of bolts, screws, or harder grade shear pins can result in equipment damage.



Replacing Broken Shear Pin

Figure 19

## STORAGE



**WARNING: Never store the engine, with fuel in the tank, indoors or in a poor ventilated enclosure where fuel fumes could reach an open flame, spark or pilot light as on a furnace, water heater, clothes dryer, etc.**

**Handle gasoline carefully. It is highly flammable and careless use could result in serious fire damage to your person and/or property.**

**Drain fuel into approved containers outdoors, away from open flame.**

If the snowthrower will be stored for thirty (30) days or more at the end of the snow season, the following steps are recommended to prepare your snowthrower for storage.

**NOTE: Gasoline must be removed or treated to prevent gum deposits from forming in the tank, filter, hose, and carburetor during storage.**

1. Remove gasoline, by running engine until tank is empty and engine stops. If you do not want to remove the gasoline, add fuel stabilizer to any gasoline left in the tank to minimize gum deposits and acids. If the tank is almost empty, mix stabilizer with fresh gasoline in a separate container and add some of the mixture to the tank. *Always follow instructions on stabilizer container. Then run engine at least 10 minutes after stabilizer is added to allow mixture to reach carburetor. Store snowthrower in safe place.*
2. You can help keep your engine (4-cycles only) in good operating condition by changing oil before storage.
3. Lubricate the piston/cylinder area. This can be done by first removing the spark plug and squirting clean engine oil into the spark plug hole. Then cover the spark plug hole with a rag to absorb oil spray. Next, rotate the engine by pulling the starter two or three times. Finally, reinstall spark plug and attach spark plug wire.
4. Thoroughly clean the snowthrower.
5. Lubricate all lubrication points (contact Sears Service).
6. Make sure all nuts, bolts, and screws are securely fastened. Inspect all visible moving parts for damage, breakage, and wear. Replace if necessary.
7. Touch up all rusted or chipped paint surfaces; sand lightly before painting.
8. Cover the bare metal parts of the snowthrower housing auger, and the impeller with rust preventative.
9. If possible, store your snowthrower indoors and cover it to give protection from dust and dirt.
10. On models with folding handles, loosen the knobs that secure the upper handle. Rotate the upper handle back.
11. If the machine must be stored outdoors, block up the snowthrower and ensure the entire machine is off the ground. Cover the snowthrower with a heavy tarpaulin.

## REMOVE FROM STORAGE

1. Put the upper handle in the operating position, tighten the knobs that secure the upper handle.
2. Fill the fuel tank with a fresh fuel.
3. Check the spark plug. Make sure the gap is correct. If the spark plug is worn or damaged, replace before using.
4. Make sure all fasteners are tight.
5. Make sure all guards, shields, and covers are in place.
6. Make sure all adjustments are correct.

# TROUBLESHOOTING

PROBLEM	LOOK FOR	REMEDY
<b>Auger does not stop within 5 seconds after right control lever is released.</b>	Free-Hand™ control is ACTIVE.	Release both auger control and traction/Free-Hand™ control levers to stop auger.
	Free-Hand™ control is not working correctly (fails Safety Test 3).	Contact Sears Service.
	Auger control cable out of adjustment (fails Safety Test 1).	Adjust auger control cable. Refer to “Cable Adjustment” in the <b>Maintenance</b> section of this manual. Make sure auger control passes Safety Test 1.
	Auger belt guide out of adjustment.	Contact Sears Service.
<b>Discharge chute or deflector does not work (electric).</b>	Electrical failure.	Contact Sears Service.
<b>Discharge chute or deflector does not work (remote-manual).</b>	Discharge chute or deflector out of adjustment or needs lubrication.	Contact Sears Service.
<b>Engine fails to start.</b>	Key is off.	Push key in to the ON position.
	Failure to prime a cold engine.	Press primer button twice and start.
	Fuel shut-off valve is CLOSED position (if equipped).	Turn valve to OPEN position.
	Out of fuel.	Fill fuel tank.
	Choke OFF - cold engine.	Turn choke ON, set throttle to FAST.
	Engine flooded.	Turn choke to OFF; try starting.
	No spark.	Contact Sears Service.
	Water in fuel, or old fuel.	Drain tank. (Dispose of fuel at an authorized hazardous waste facility.) Fill with fresh fuel.
<b>Engine starts hard or runs poorly.</b>	Fuel mixture too rich.	Move choke to OFF position.
	Spark plug faulty, fouled, or gapped incorrectly.	Contact Sears Service.
	Fuel cap vent is blocked.	Clear vent.
<b>Excessive vibration.</b>	Loose parts or damaged impeller/auger.	Stop engine immediately. Contact Sears Service.

PROBLEM	LOOK FOR	REMEDY
<b>Snowthrower forward and reverse motion does not stop when traction control lever is released.</b>	Traction control out of adjustment (fails Safety Test 2).	Contact Sears Service.
<b>Snowthrower veers to one side.</b>	Tire pressure not equal.	Check tire pressure.
	One wheel is set in free-wheeling mode. (Traction lock pin is in the OUTER hole.) Models with wheel pins or locks.	Make sure the left traction lock pin is in the INNER holes (to engage the traction drive).
<b>Scraper bar does not clean hard surface.</b>	Skid shoes improperly adjusted.	Adjust skid shoes as needed.
<b>Snowthrower fails to move at slow speeds.</b>	Traction control out of adjustment.	Move speed select lever one speed faster. If that doesn't work, see authorized dealer.
<b>Snowthrower fails to move forward or reverse at any speed.</b>	Drive belt loose or damaged.	Contact Sears Service.
	Traction control out of adjustment.	Contact Sears Service.
	Worn or damaged friction disc.	Contact Sears Service.
<b>Unit fails to discharge snow.</b>	Auger control cable out of adjustment.	Adjust auger control cable. Refer to "Cable Adjustment" in the <b>Maintenance</b> section of this manual.
	Auger drive belt loose or damaged.	Contact Sears Service.
	Broken shear pin.	Replace shear pin. Refer to "Auger Shear Pin Replacement" in the <b>Maintenance</b> section of this manual.
	Discharge chute clogged with snow.	Stop engine immediately. Always use the clean-out tool to clear a clogged discharge chute, not your hands. Clean discharge chute and inside of auger housing. Refer to "Warnings" in <b>Operator Safety</b> section.
	Foreign object lodged in auger.	Stop engine immediately. Always use the clean-out tool to clear a clogged chute, not your hands. Remove object from auger. Refer to "Warnings" in <b>Operator Safety</b> section.

# SPECIFICATIONS

## ENGINE:

<b>Brand</b>	Briggs & Stratton
<b>Model Series</b>	Snow Series™
<b>Gross Torque*</b>	9.0 T.P. @ 3060 rpm
<b>Type</b>	4-Cycle - OHV
<b>Displacement</b>	12.5 cu in. (205 cc)
<b>Starting System</b>	Recoil, 110V Electric with Cord
<b>Alternator</b>	9 Amp Reg.
<b>Oil Capacity</b>	20 oz (0,59 liters)
<b>Motor Oil</b>	Synthetic 5W30
<b>Fuel Tank Volume</b>	3.2 qts (3,0 liters)
<b>Spark Plug Gap</b>	0.030 in. (0,76 mm)
<b>Spark Plug, EMS "Q"</b>	691043
<b>Ignition System</b>	This spark plug ignition system complies with Canadian standard ICES-002.

## AUGER/IMPELLER:

<b>Clearing Width</b>	27 in. (68,6 cm)
<b>Intake Height</b>	19.5 in. (49,5 cm)
<b>Auger/Impeller Diameter</b>	12 in. (30 cm)
<b>Number of Impeller Blades</b>	3

## CHUTE:

<b>Chute Deflector</b>	Remote
<b>Chute Rotation</b>	Electric 200°

## DRIVE SYSTEM:

<b>Drive Type</b>	Friction Disc - Traction Lock Pin
<b>Drive Speeds</b>	6 Forward Speeds, 2 Reverse
<b>Tire Size</b>	16 x 4.8 in. (41 x 12 cm)
<b>Tire Inflation</b>	See side of tire for maximum tire pressure.

## Power Ratings

The gross power rating for individual gas engine models is labeled in accordance with SAE (Society of Automotive Engineers) code J1940 (Small Engine Power & Torque Rating Procedure), and rating performance has been obtained and corrected in accordance with SAE J1995 (Revision 2002-05). Torque values are derived at 3060 RPM; horsepower values are derived at 3600 RPM. The gross power curves can be viewed at [www.BRIGGSandSTRATTON.COM](http://www.BRIGGSandSTRATTON.COM). Net power values are taken with exhaust and air cleaner installed whereas gross power values are collected without these attachments. Actual gross engine power will be higher than net engine power and is affected by, among other things, ambient operating conditions and engine-to-engine variability. Given the wide array of products on which engines are placed, the gas engine may not develop the rated gross power when used in a given piece of power equipment. This difference is due to a variety of factors including, but not limited to, the variety of engine components (air cleaner, exhaust, charging, cooling, carburetor, fuel pump, etc.), application limitations, ambient operating conditions (temperature, humidity, altitude), and engine-to-engine variability. Due to manufacturing and capacity limitations, Briggs & Stratton may substitute an engine of higher rated power for this Series engine.

## Parts and Accessories

Contact Sears Service for details.

# WARRANTY

## CRAFTSMAN TWO YEAR FULL WARRANTY

FOR TWO YEARS from the date of purchase, this product is warranted against any defects in material or workmanship. Defective product will receive free repair or replacement if repair is unavailable.

For warranty coverage details to obtain free repair or replacement, visit the web site: [www.craftsman.com](http://www.craftsman.com).

This warranty is void if this product is ever used while providing commercial services or if rented to another person.

This warranty covers ONLY defects in material and workmanship. Warranty coverage does NOT include:

- Expendable items that can wear out from normal use within the warranty period, including but not limited to augers, auger paddles, drift cutters, skid shoes, shave plate, shear pins, spark plug, air cleaner, belts, and oil filter.
- Standard maintenance servicing, oil changes, or tune-ups.
- Tire replacement or repair caused by punctures from outside objects, such as nails, thorns, stumps, or glass.
- Tire or wheel replacement or repair resulting from normal wear, accident, or improper operation or maintenance.
- Repairs necessary because of operator abuse, including but not limited to damage caused by over-speeding the engine, or from impacting objects that bend the frame, auger shaft, etc.
- Repairs necessary because of operator negligence, including but not limited to, electrical and mechanical damage caused by improper storage, failure to use the proper grade and amount of engine oil, or failure to maintain the equipment according to the instructions contained in the operator's manual.
- Engine (fuel system) cleaning or repairs caused by fuel determined to be contaminated or oxidized (stale). In general, fuel should be used within 30 days of its purchase date.
- Normal deterioration and wear of the exterior finishes, or product label replacement.

This warranty gives you specific legal rights, and you may also have other rights which vary from state to state.

Sears Brands Management Corporation, Hoffman Estates, IL 60179

# REPAIR PROTECTION AGREEMENT

*Congratulations on making a smart purchase.* Your new Craftsman® product is designed and manufactured for years of dependable operation. But like all products, it may require repair from time to time. That's when having a Repair Protection Agreement can save you money and aggravation.

## **Here's what the Repair Protection Agreement\* includes:**

- ☑ **Expert service** by our 10,000 professional repair specialists
- ☑ **Unlimited service and no charge** for parts and labor on all covered repairs
- ☑ **Product replacement** up to \$1500 if your covered product can't be fixed
- ☑ **Discount of 10%** from regular price of service and related installed parts not covered by the agreement; also, 10% off regular price of preventive maintenance check
- ☑ **Fast help by phone** – we call it Rapid Resolution – phone support from a Sears representative. Think of us as a “talking owner’s manual.”

Once you purchase the Repair Protection Agreement, a simple phone call is all that it takes for you to schedule service. You can call anytime day or night, or schedule a service appointment online.

The Repair Protection Agreement is a risk-free purchase. If you cancel for any reason during the product warranty period, we will provide a full refund. Or, a prorated refund anytime after the product warranty period expires. Purchase your Repair Protection Agreement today!

**Some limitations and exclusions apply. For prices and additional information in the U.S.A. call 1-800-827-6655.**

**\*Coverage in Canada varies on some items. For full details call Sears Canada at 1-800-361-6665.**

### **Sears Installation Service**

*For Sears professional installation* of home appliances, garage door openers, water heaters, and other major home items, in the U.S.A. or Canada call **1-800-4-MY-HOME®**.



# Get it fixed, at your home or ours!

## Your Home

For troubleshooting, product manuals and expert advice:



[www.managemylife.com](http://www.managemylife.com)

For repair – **in your home** – of **all** major brand appliances, lawn and garden equipment, or heating and cooling systems, **no matter who made it, no matter who sold it!**

For the replacement parts, accessories and owner's manuals that you need to do-it-yourself.

For Sears professional installation of home appliances and items like garage door openers and water heaters.

**1-800-4-MY-HOME®** (1-800-469-4663)

Call anytime, day or night (U.S.A. and Canada)

[www.sears.com](http://www.sears.com)    [www.sears.ca](http://www.sears.ca)

## Our Home

For repair of carry-in items like vacuums, lawn equipment, and electronics, call anytime for the location of your nearest

**Sears Parts & Repair Service Center**

**1-800-488-1222** (U.S.A.)

[www.sears.com](http://www.sears.com)

**1-800-469-4663** (Canada)

[www.sears.ca](http://www.sears.ca)

To purchase a protection agreement on a product serviced by Sears:

**1-800-827-6655** (U.S.A.)

**1-800-361-6665** (Canada)

Para pedir servicio de reparación a domicilio, y para ordenar piezas:

**1-888-SU-HOGAR®**

(1-888-784-6427)

[www.sears.com](http://www.sears.com)

Au Canada pour service en français:

**1-800-LE-FOYER<sup>MC</sup>**

(1-800-533-6937)

[www.sears.ca](http://www.sears.ca)

The Sears logo, consisting of the word "sears" in a lowercase, sans-serif font.

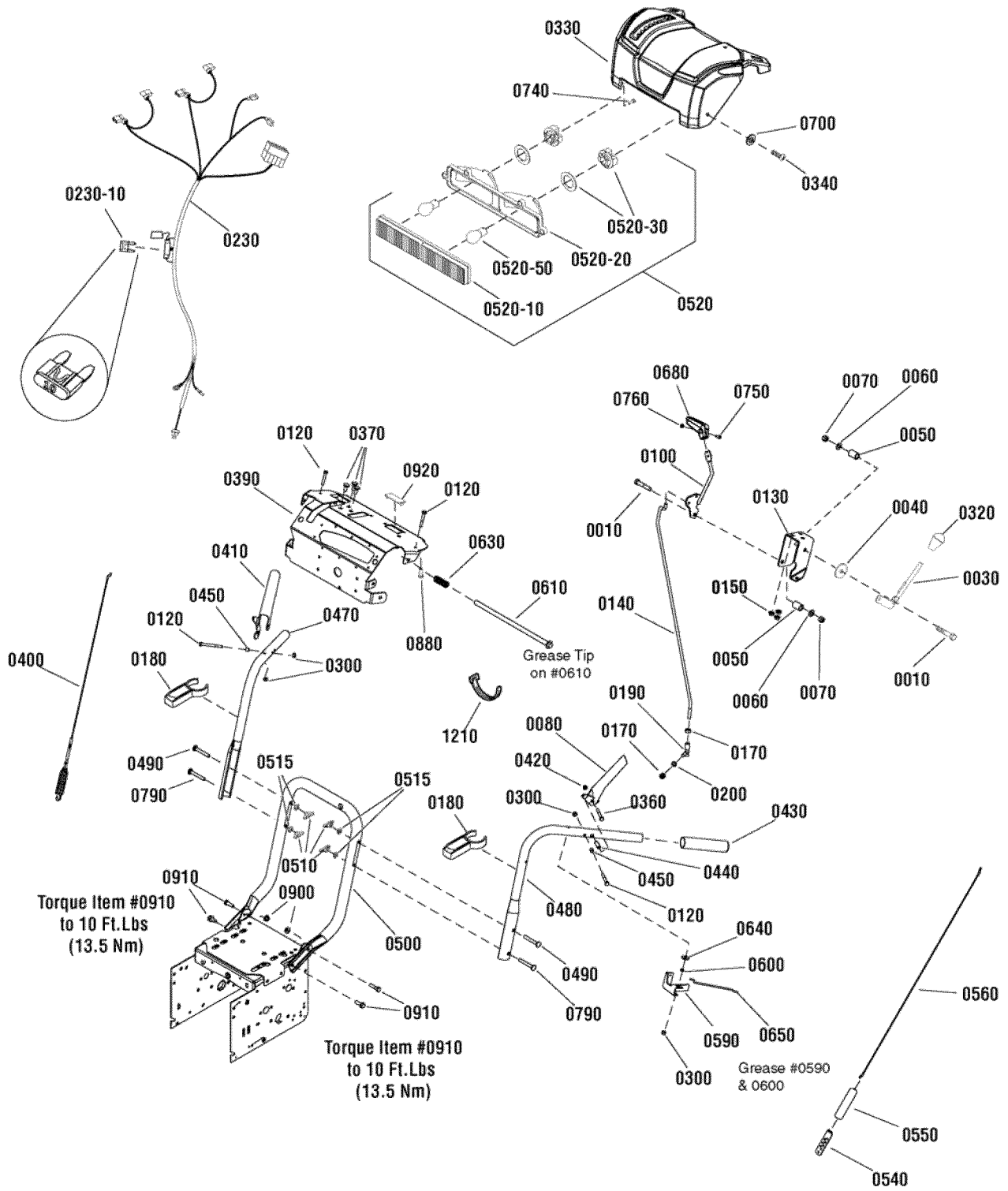
© Registered Trademark / <sup>TM</sup> Trademark of KCD IP, LLC in the United States, or Sears Brands, LLC in other countries

© Marca Registrada / <sup>TM</sup> Marca de Fábrica de KCD IP, LLC en Estados Unidos, o Sears Brands, LLC in otros países

<sup>MC</sup> Marque de commerce / <sup>MD</sup> Marque déposée de Sears Brands, LLC

# Repair Parts

NOTE: Unless noted otherwise,  
use the standard hardware torque  
specification chart.



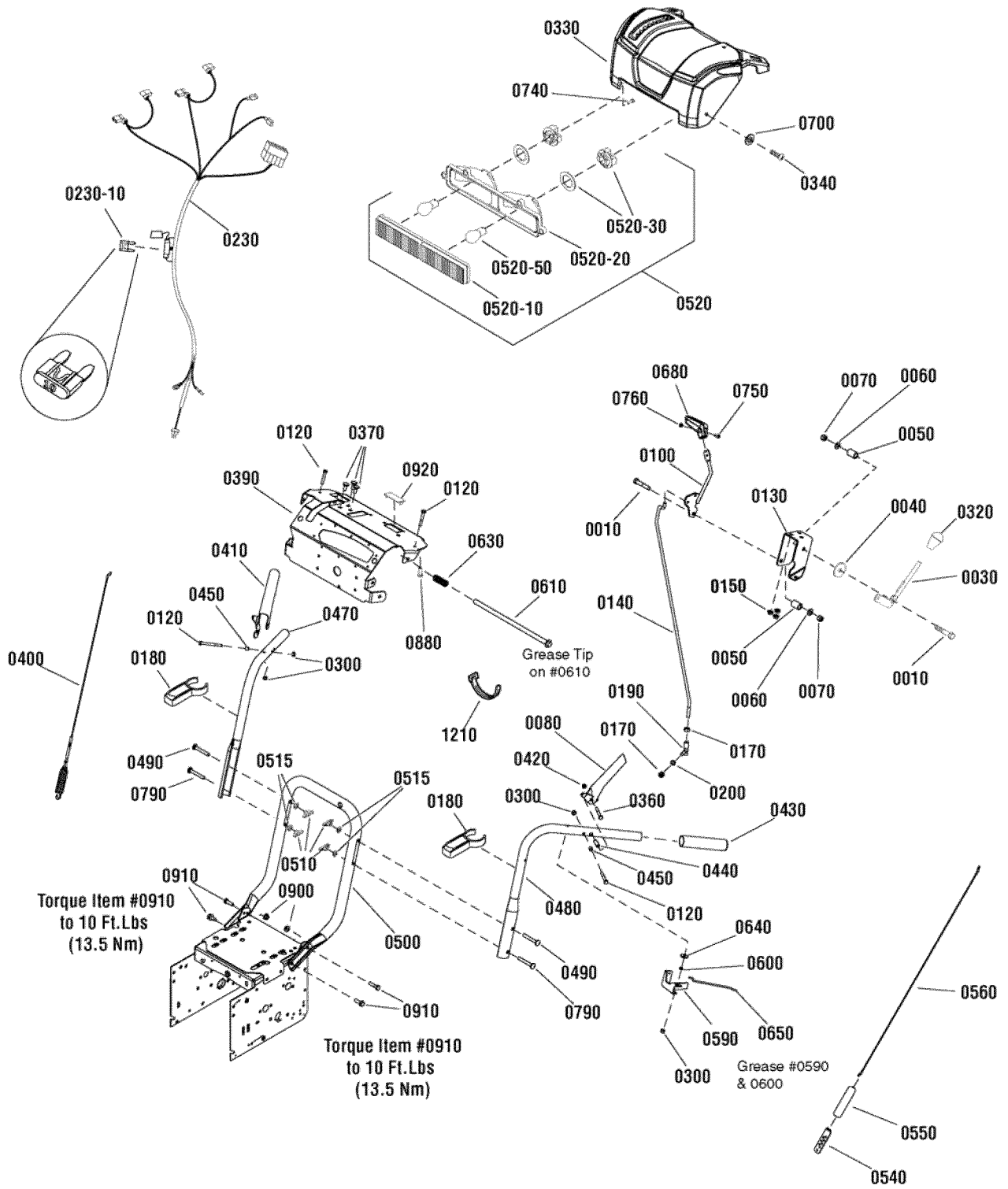
REF NO	PART NO.	QTY.	DESCRIPTION
0010	1923701SM	2	CAPSCREW, Hex Head, 3/8-16 x 2, G5
0030	1736192YP	1	LEVER, Deflector Control
0040	1924356SM	1	WASHER, 3/8
0050	50786MA	2	SPRING, 3/4"
0060	1918266SM	2	WASHER, 3/8
0070	1919439SM	2	NUT, Hex Lock, ESNA Light, 3/8-16
0080	1739782AYP	1	LEVER, Clutch, LH
0100	1736836YP	1	LEVER, Speed
0120	1921962SM	4	CAPSCREW, Hex Head, 1/4-20 x 1-3/4, G5
0130	1737684YP	1	BRACKET, Controls
0140	1751543YP	1	ROD, Speed Control
0150	1931277SM	3	NUT, Hex Flange, Whiz Lock, 5/16-18
0170	2820263SM	1	NUT, Hex, 5/16-24
0180	1739487YP	2	BRACKET, Mounting
0190	1739290YP	1	BALLJOINT
0200	1917356SM	1	LOCKWASHER, Spring, 5/16
0230	1750775YP	1	HARNES
0230-10	----	1	* FUSE, Mini, 10 Amp
0300	1920397SM	4	NUT, Hex Lock, ESNA Light, 1/4-20
0320	1732470SM	1	KNOB, 3/8-16
0330	1736951YP	1	DASH
0340	1960001SM	2	SCREW, Hex Washer Head, Plastite, 10-14 x 5/8
0360	1750554YP	2	BOLT, Shoulder, 10-24
0370	340720MA	3	BOLT, Carriage, 5/16-18 x 3/4
0390	1739500AYP	1	SUPPORT, Dash
0400	1737544YP	1	CABLE, Auger Drive
0410	1739783AYP	1	LEVER, Clutch, RH
0420	1933896SM	2	NUT, Hex Lock, Nylon Insert, 10-24
0430	1726317SM	2	GRIP, 1"Dia. X 5-5/8 Lg
0440	1736542YP	2	SPACER, Stepped
0450	1678392SM	2	SPACER, 1/4 ID x 3/8 OD x 5/16"
0470	1734587ASM	1	HANDLE, Upper, RH
0480	1734586ASM	1	HANDLE, Upper, LH
0490	1750299YP	2	BOLT, Carriage, Locking, 5/16-18 x 2-1/4
0500	1737274AYP	1	HANDLE, Lower
0510	7035744YP	2	KNOB, Wing, 5/16-18
0515	7090391SM	2	WASHER, Internal Tooth Lock, 5/16"
0520	1736176YP	1	HEADLIGHT ASSEMBLY
0520-10	----	1	LENS (Included in Ref. No. 0520)
0520-20	----	1	DEFLECTOR (Included in Ref. No. 0520)
0520-30	1736180YP	2	SOCKET & GASKET ASSEMBLY, Headlight (Included in Ref. No. 0520)
0520-50	----	2	* BULB, Light, 12V 15W, 1156 (Included in Ref. No. 0520)
0540	313441MA	1	BRACKET, Cable Adjusting
0550	308146MA	1	BOOT, Spring End Cover
0560	1502113MA	1	CABLE, Forward Drive

## Footnotes

Note\* See your local hardware store for replacement bulbs and fuses.

Note\* See your local hardware store for replacement bulbs.

NOTE: Unless noted otherwise,  
use the standard hardware torque  
specification chart.



**Handles & Controls Group**

CRAFTSMAN 27" 536.886180

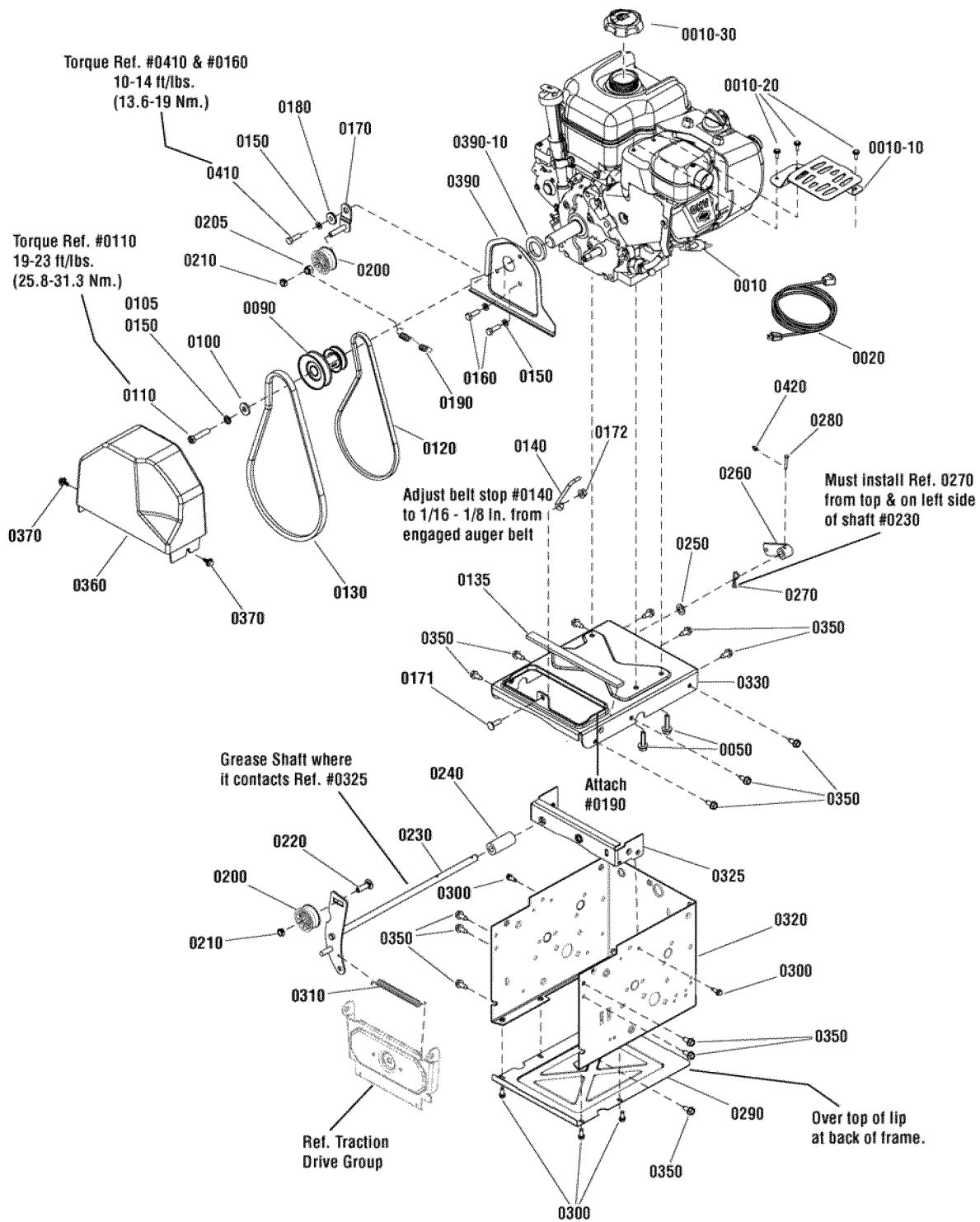
REF NO	PART NO.	QTY.	DESCRIPTION
0590	1733505ASM	1	BRACKET, Pivot, Free Hand
0600	1733095SM	1	SPACER, 1/4 ID x 3/8 OD x 1/8"
0610	1736363YP	1	ROD & SPRING ASSEMBLY
0630	2108360SM	1	SPRING, Compression, 2-1/4"
0640	1960353SM	1	WASHER, 1/4
0650	1736360YP	1	ROD, Hold Down
0680	1733192SM	1	KNOB, Speed
0700	1921319SM	2	WASHER, 1/4
0740	7091105YP	4	SCREW, Hex Washer Head, #10-16 x 1/2
0750	1960589SM	1	SCREW, Phillips, #10-24 x 3/4
0760	1933896SM	1	NUT, Hex Lock, Nylon Insert, 10-24
0790	1931338SM	2	BOLT, Carriage, Short Neck, 5/16-18 x 1-3/4, G5
0880	7091081SM	2	SCREW, Hex Washer, 1/4-15 x 3/4
0900	1960684SM	4	NUT, Hex KEPS, 5/16-18
0910	340720MA	4	BOLT, Carriage, 5/16-18 x 3/4
0920	1709188SM	1	PLUG
1210	7012080SM	4	CABLE TIE

**Footnotes**

Note\* See your local hardware store for replacement bulbs and fuses.

Note\* See your local hardware store for replacement bulbs.

NOTE: Unless noted otherwise, use the standard hardware torque specification chart.



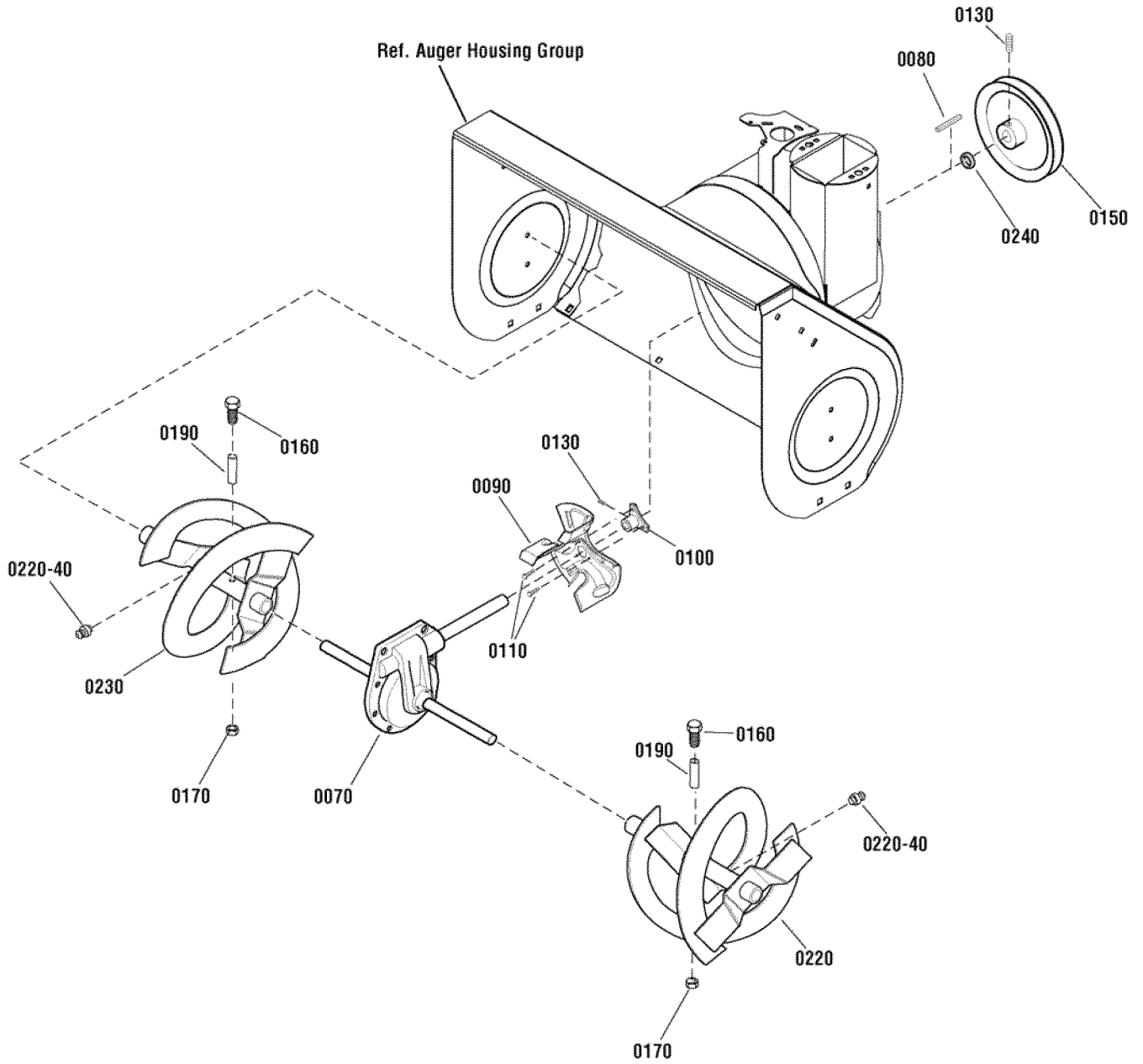
REF NO	PART NO.	QTY.	DESCRIPTION
0010	12D107-0159-E8	1	* ENGINE, 9TP Briggs & Stratton (Engine Model: 12D107-0159-E8)
0020	6219MA	1	CORD, Electric, 10FT 110V 3-Wire
0010-10	797003	1	GUARD, Muffler, Plate
0010-20	699854	3	SCREW, Muffler Guard
0010-30	792647	1	CAP, Fuel
0050	75246GS	4	SCREW, Hex Head, Trilobular, 3/8-16 x 1-1/4
0090	1739514YP	1	PULLEY ASSEMBLY
0100	1919381SM	1	WASHER, 5/16
0110	1441MA	1	BOLT, Hex, 5/16-24 x 1-3/4
0120	1733324SM	1	V-BELT, Traction Drive, 3L 33.13
0130	585416MA	1	BELT, Auger, V4L 38.10 MF 05-10
0135	1750314YP	1	SEAL, Strip
0140	1737377YP	1	STOP, Belt
0150	1917356SM	4	LOCKWASHER, Spring
0160	1921515SM	2	CAPSCREW, Hex Head, 5/16-24 x 3/4, G5
0170	1739846YP	1	BRACKET, Idler
0171	1931335SM	1	BOLT, Carriage, 5/16-18 x 1, G5
0172	1960684SM	1	NUT, Hex KEPS, 5/16-18
0180	1501065MA	1	BUSHING, Idler Bracket
0190	165X164MA	1	SPRING, Extension, Idler
0200	1502120MA	2	IDLER, Plastic Ball Bearing
0205	7091299SM	1	NUT, Nylock, 3/8-16
0210	1960251SM	2	NUT, Hex Centerlock Jam, 3/8-16
0220	585781MA	1	BOLT, Carriage, 3/8-16 x 1-1/4, G5
0230	1739574YP	1	IDLER, Auger
0240	1739964YP	1	SPACER, Auger Bracket
0250	1960027SM	1	WASHER, 1/2
0260	1733451SM	1	ARM, Control
0270	0031X6MA	1	PIN, Hair
0280	1736381YP	1	PIN, Clevis
0290	1737221AYP	1	PANEL, Bottom
0300	1927429SM	6	SCREW, Hex Washer Head, Taptite, 1/4-20 x 5/8
0310	165X159MA	1	SPRING, Extension, Auger, 5
0320	1739107BNYP	1	FRAME BOX
0325	1739093AYP	1	BRACKET, Auger and Traction Rod Mount
0330	1739450BNYP	1	PLATE, Engine
0350	1664847SM	19	CAPSCREW, Hex Washer Head, Taptite, 5/16-18 x 3/4
0360	1750551YP	1	COVER, Belt
0370	26X306MA	2	SCREW, Hex Washer Head, 1/4 x 3/4
0390	1733868ASM	1	WATER SHIELD
0390-10	1733898SM	1	SEAL, Foam
0410	910828MA	1	BOLT, Hex, 5/16-24 x 1
0420	7023590SM	1	COTTER PIN, 1/4

**Footnotes**

Note\* See your local Briggs & Stratton distributor for parts and service.



NOTE: Unless noted otherwise,  
use the standard hardware torque  
specification chart.

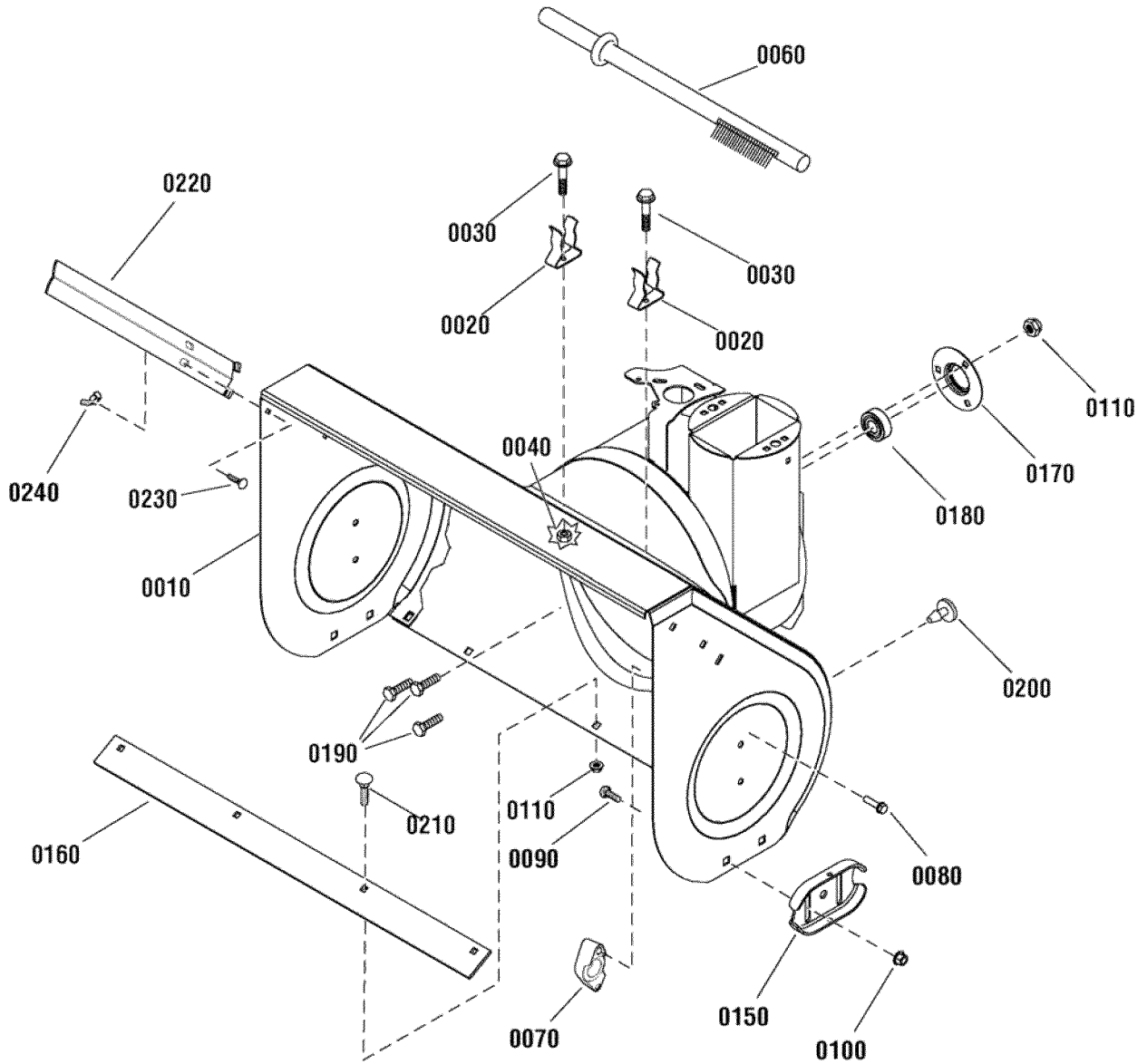


**Auger Drive Group****CRAFTSMAN 27" 536.886180**

<b>REF NO</b>	<b>PART NO.</b>	<b>QTY.</b>	<b>DESCRIPTION</b>
0070	1753073YP	1	GEAR CASE ASSEMBLY, 27"
0080	2001022MA	1	KEY, Square, 3/16 x 3/4
0090	1739094AYP	1	IMPELLER
0100	1739073YP	1	HUB, Impeller
0110	1930601SM	3	SCREW, Hex Washer Head, Taptite, 5/16-18 x 5/8
0130	7090848SM	3	SET SCREW, Socket Head, 5/16-18 x 1/2
0150	1501211MA	1	PULLEY
0160	9524MA	2	CAPSCREW, Hex Head, 1/4-20 x 1-3/4, G2
0170	73826MA	2	NUT, Hex Center Lock, 1/4-20
0190	3943MA	2	SPACER, 1/4 x 1/2
0220	1740736AYP	1	AUGER, LH, 27" (Included Ref No. 0220-40)
0230	1740737AYP	1	AUGER, RH, 27" (Included Ref No. 0220-40)
0220-40	10104MA	1	FITTING, Grease (Incl. Ref. Nos. 0220 & 0230)
0240	1501158MA	1	SPACER, Friction Pulley

**Footnotes**

NOTE: Unless noted otherwise,  
use the standard hardware torque  
specification chart.

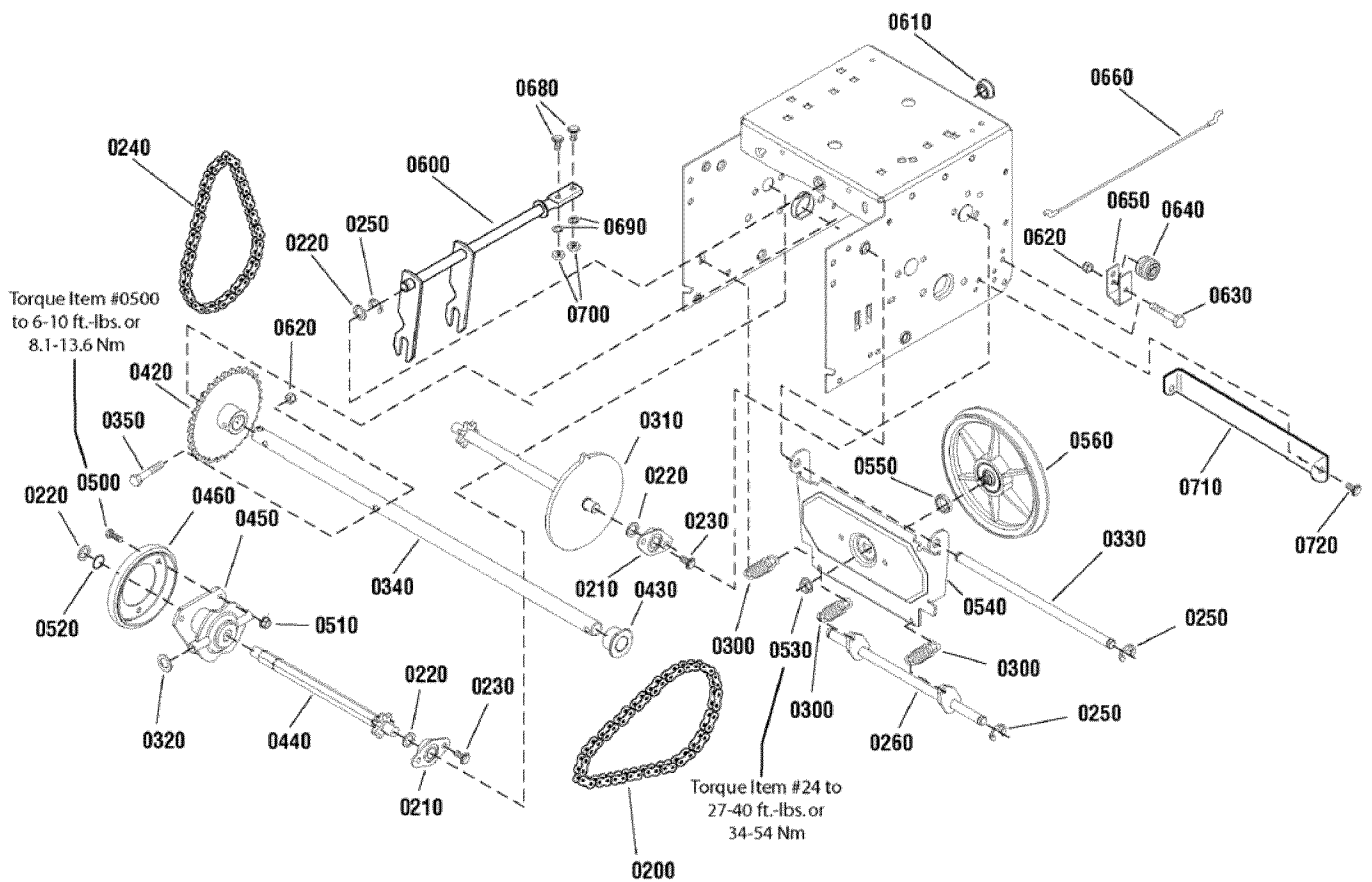


**Auger Housing Group****CRAFTSMAN 27" 536.886180**

<b>REF NO</b>	<b>PART NO.</b>	<b>QTY.</b>	<b>DESCRIPTION</b>
0010	1687668YP	1	AUGER HOUSING KIT, 27"
0020	1736620YP	2	CLIP, Retainer
0030	1960569SM	2	SCREW, Truss Head Torx, #10-24 x 3/8
0040	7091290SM	2	NUT, Nylock, 10 x 24
0060	1736094YP	1	BRUSH, Cleanout
0070	53757MA	2	BEARING, Auger Shaft
0080	25X021MA	4	SCREW, Hex Washer Head, 5/16-18 x 3/4
0090	7091547YP	4	BOLT, Carriage, 3/8-16 x 3/4 GR5
0100	7091619SM	4	NUT, Hex Flange, 3/8-16
0110	710026MA	7	NUT, Hex Flange, Serrated Lock, 5/16-18
0150	1727854ASM	2	SKID, Shoe Reversible
0160	1740745AYP	1	BLADE, Scraper, 27"
0170	582957YZMA	1	RETAINER, Ball Bearing
0180	582957YZMA	1	BEARING, Ball
0190	001X45MA	3	BOLT, Hex, 5/16-18 x 5/8
0200	760040MA	2	PLUG
0210	7090799SM	4	BOLT, Carriage, 5/16-18 x 5/8 GR5
0220	1733102ASM	2	DRIFT CUTTER
0230	340720MA	2	BOLT, Carriage, 5/16-18 x 3/4
0240	725347YP	2	NUT, Wing, 5/16-18

**Footnotes**

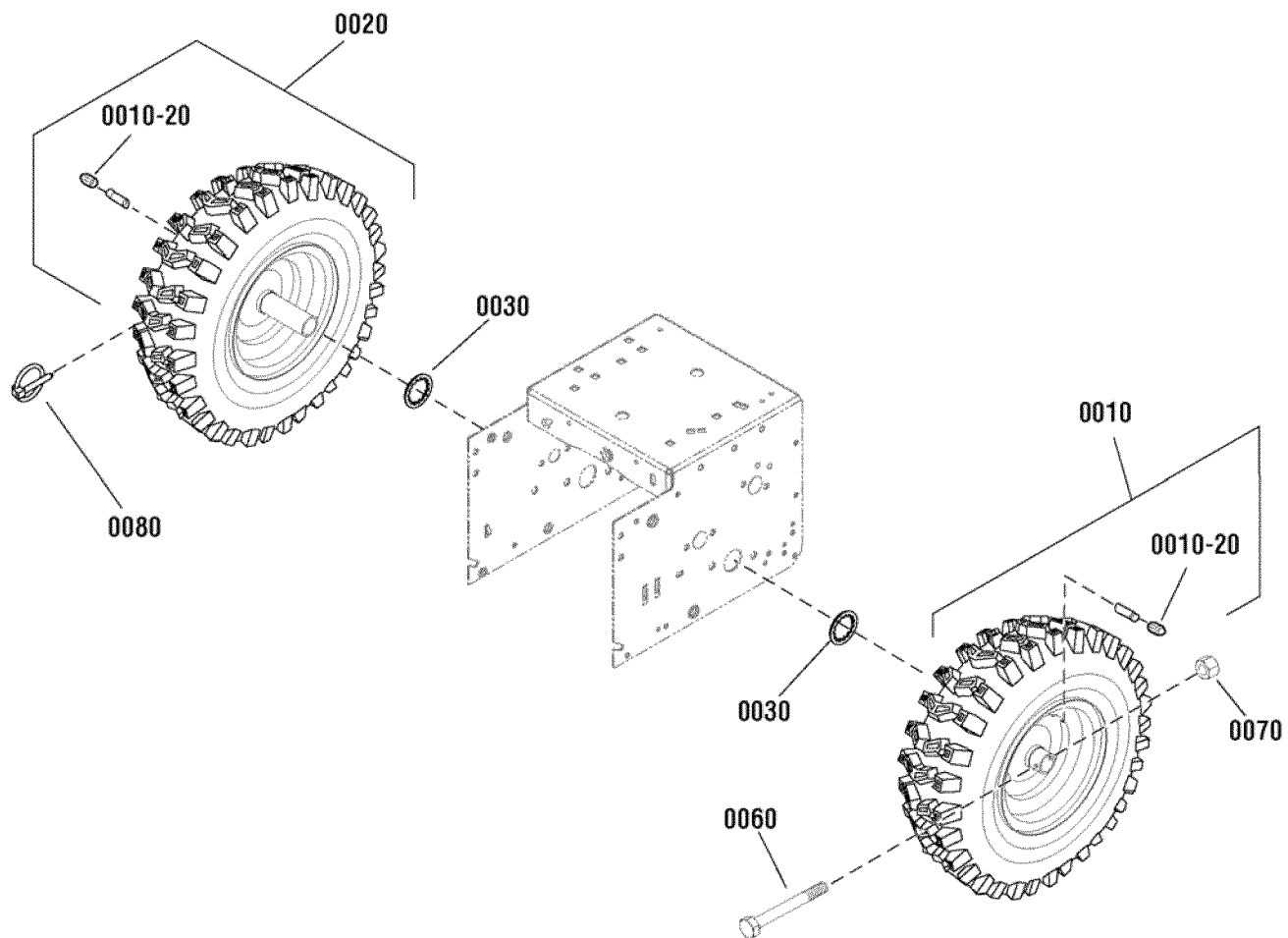
NOTE: Unless noted otherwise, use the standard hardware torque specification chart.



REF NO	PART NO.	QTY.	DESCRIPTION
0200	579851MA	1	CHAIN, Roller, #420 x 19.00
0210	334163MA	4	BEARING AND RETAINER ASSEMBLY
0220	579858MA	5	WASHER, Flat, 1/2
0230	1924856SM	8	SCREW, Hex Washer Head Taptite, 5/16-18 x 1/2
0240	579868MA	1	CHAIN, Roller, #420 x 18.00
0250	11X30MA	5	RETAINER, Ring, 7/16
0260	1502105YZMA	1	SPRING LINK ASSEMBLY
0300	1736469YP	3	SPRING, Extension
0310	1501090MA	1	SPROCKET, Set
0320	1960027SM	2	WASHER, 1/2
0330	1501092YZMA	1	AXLE, Swing Plate
0340	1501563YZMA	1	AXLE, 16"
0350	01X193MA	1	SCREW, 1/4 - 20 x 1-3/4
0420	1501089MA	1	SPROCKET, Axle
0430	1501114MA	2	BEARING, Axle
0440	1501100MA	1	HEX SHAFT & SPROCKET ASSEMBLY
0450	1739282YP	1	HUB, Friction Wheel & Bearing
0460	1501435MA	1	WHEEL, Friction Disc
0500	1921959SM	3	CAPSCREW, Hex Head 1/4-20 x 5/8 G5
0510	1928372SM	3	NUT, Hex KEPS 1/4-20
0520	1733326SM	1	RING, Retaining Extension
0530	15X114MA	1	NUT, Flange Lock, 3/8-24
0540	1501057YZMA	1	PLATE, Swinging
0550	1501158MA	1	SPACER, Friction Pulley
0560	1501115MA	1	FRICTION PULLEY ASSEMBLY
0600	1501110YZMA	1	ASSEMBLY, Speed Selector
0610	579944MA	1	BEARING, Flange
0620	1920397SM	2	NUT, Hex Lock ESNA Light 1/4-20
0630	1922837SM	1	CAPSCREW, Hex Head, 1/4-20 x 1-1/2 G5
0640	579860MA	1	SPOOL CABLE, Auger Control
0650	1750398YP	1	BRACKET, Cable Spool
0660	1750403YP	1	CABLE, Front Drive
0680	001X38MA	2	BOLT, Hex, 1/4-20 x 5/8
0690	1916964SM	2	LOCKWASHER, Spring, 1/4-20
0700	7091576SM	2	NUT, Hex, 1/4-20, G5
0710	1502030YZMA	1	BRACKET, Support
0720	1927429SM	2	CAPSCREW, Hex Washer Head, Taptite, 1/4-20 x 5/8

## Footnotes

NOTE: Unless noted otherwise,  
use the standard hardware torque  
specification chart.

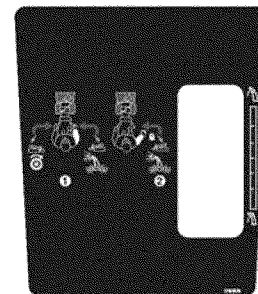
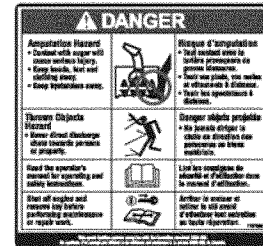
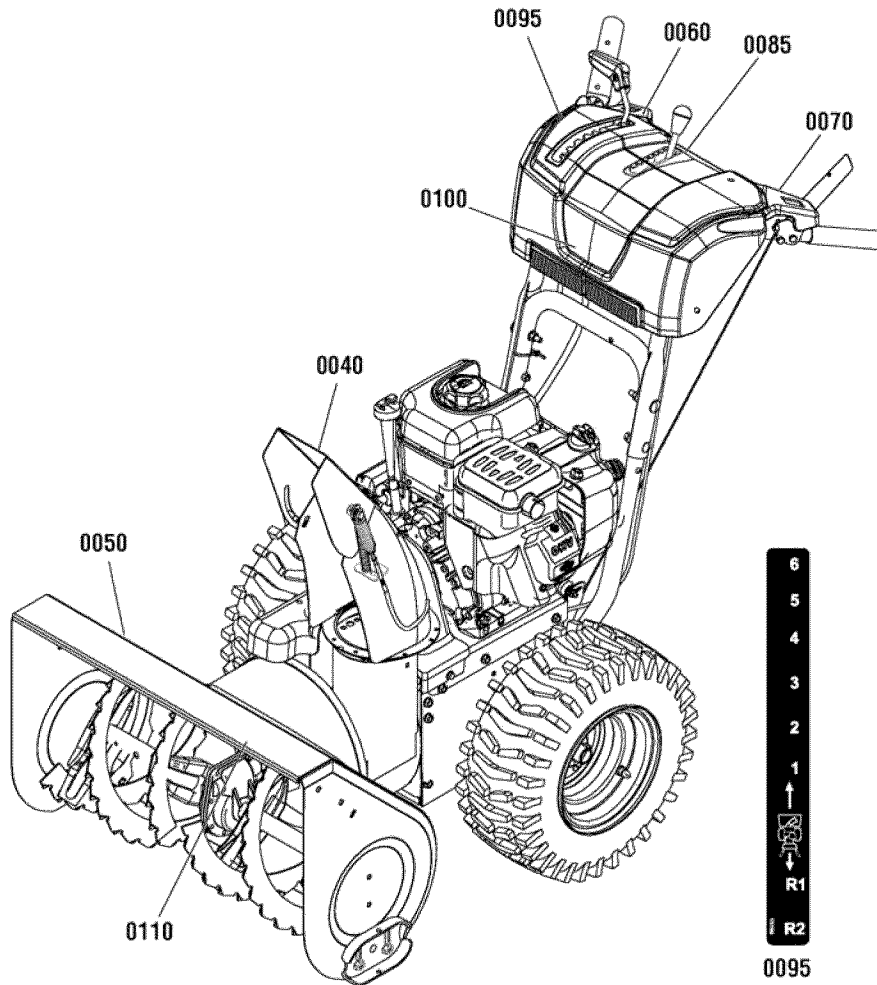


**Wheels & Tires Group****CRAFTSMAN 27" 536.886180**

<b>REF NO</b>	<b>PART NO.</b>	<b>QTY.</b>	<b>DESCRIPTION</b>
0010	1739926YP	1	WHEEL & TIRE ASSEMBLY, 16 x 4.8, P2-539, LH
0020	1739927YP	1	WHEEL & TIRE ASSEMBLY, 16 x 4.8, P2-539, RH
0010-20	2172353SM	1	VALVE STEM & CAP
0030	1657528SM	2	RING, Retaining, Self Lock, 3/4
0060	577015MA	1	BOLT, Hex, 1/4-20 x 1-3/4, G5
0070	15X145MA	1	NUT, Hex, Nylock, 1/4-20
0080	73842MA	1	PIN, Klik, 1/4 x 1-3/8

Footnotes

NOTE: Unless noted otherwise, use the standard hardware torque specification chart.



**Decals****CRAFTSMAN 27" 536.886180**

<b>REF NO</b>	<b>PART NO.</b>	<b>QTY.</b>	<b>DESCRIPTION</b>
0040	1737865YP	1	DECAL, Danger, Chute
0050	1737866YP	1	DECAL, Danger, Foot
0060	1753133YP	1	DECAL, Auger Control Symbols
0070	1753134YP	1	DECAL, Traction Control Symbols
0085	1737875YP	1	DECAL, Controls
0095	1738349YP	1	DECAL, Speed Control
0100	315879YP	1	DECAL, Craftsman Logo
0110	1753908YP	1	DECAL, Auger Housing, 27"

**Footnotes**



**Discharge Chute Group****CRAFTSMAN 27" 536.886180**

<b>REF NO</b>	<b>PART NO.</b>	<b>QTY.</b>	<b>DESCRIPTION</b>
0010	1728967SM	1	PINION
0030	1739621YP	3	SCREW, Button Head, Torx, M5 x .8 x 14
0035	7091552SM	3	WASHER, Flat, 1/4
0040	1925592SM	1	SCREW, Hex Washer Head, Taptite, 1/4-20 x 3/4
0050	1752877YP	1	COVER, Electric Chute Rotation
0060	7011938SM	3	RETAINER, Spout
0070	1960001SM	6	SCREW, Hex Washer Head, Plastite, 10-14 x 5/8
0080	1734647SM	1	SPRING, Compression, 6"
0090	1752240YP	1	SWITCH, Chute Rotation
0100	1750623YP	1	CABLE ASSEMBLY, Chute Deflector
0110	1932718SM	1	NUT, Push, 5/16
0130	1734708ASM	1	ROD, Spring Guide
0140	7012080SM	4	CABLE TIE
0150	1733601SM	2	DECAL, Hinge
0160	1737443AYP	1	CHUTE
0200	1739309YP	1	MOTOR, Chute Rotation
0230	1737465AYP	1	GEAR, Chute
0240	1737411YP	1	ADAPTER, Chute Ring
0250	02X101MA	4	BOLT, Carriage, 1/4-20 x 3/4
0260	1960685SM	4	NUT, Hex KEPS, 1/4-20
0400	1931333SM	1	BOLT, Carriage, Short Neck, 5/16-18 x 3/4, G5
0410	1739305YP	1	NUT, Hex Flange, ESNA, 5/16-18
0420	1739331YP	1	CLIP, Cable
0580	2860210SM	1	WASHER, Nylon

**Footnotes**



**Gear Case Assembly****CRAFTSMAN 27" 536.886180**

<b>REF NO</b>	<b>PART NO.</b>	<b>QTY.</b>	<b>DESCRIPTION</b>
0300	896MA	1	CASE, Gear, RH
0301	895MA	1	CASE, Gear, LH
0303	910828MA	7	BOLT, Hex, 5/16-24 x 1
0304	71100MA	8	NUT, Hex Flange, Serrated Lock, 5/16-24
0305	330434MA	1	CAPSCREW, Hex Head, 5/16-24
0306	53749MA	1	PLUG, Pipe
0310	780151MA	2	SEAL, Oil
0311	53743MA	2	BEARING, Sleeve, 1 x 1-1/4 x 1
0312	53748MA	2	WASHER, Flat, 1-1-1/2
0313	584514MA	1	SHAFT, Auger Out, 27"
0314	897MA	1	GASKET
0315	1752500YP	1	GEAR, Worm, 22T
0316	73905MA	1	KEY, Woodruff
0320	53737MA	1	RING, Quad
0321	583126MA	1	BEARING, Flange, 3/4 ID x 1-1/8 OD
0322	48275MA	1	WASHER, Thrust
0323	50684MA	1	BEARING, Roll Thrust, 3/4 ID x 1-1/4 OD
0324	48275MA	1	WASHER, Thrust
0326	50795MA	1	KEY, HI-PRO
0327	53732MA	1	WORMGEAR, 1-3/4 OD x 1-1/2"
0330	53731MA	1	BEARING, Sleeve, 3/4 ID x 7/8 OD
0340	1751535YP	1	SHAFT, Impeller
0380	1752515YP	1	RING, Retaining, 3/4

**Footnotes**

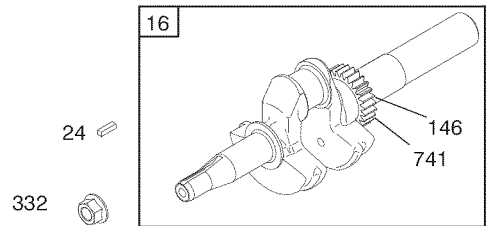
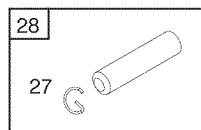
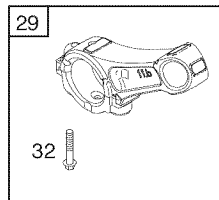
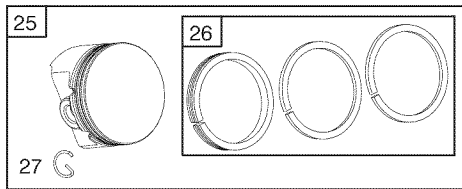
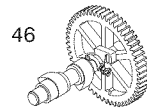
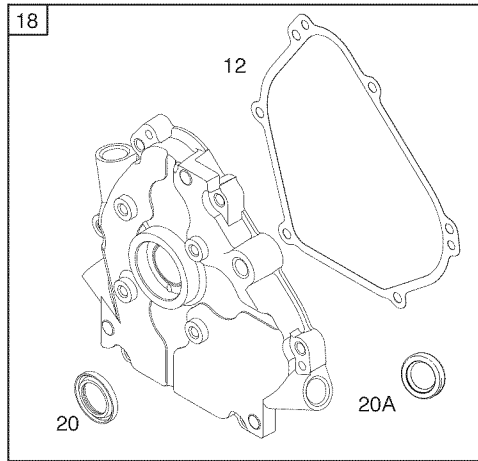
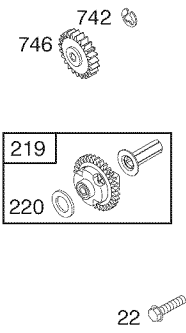
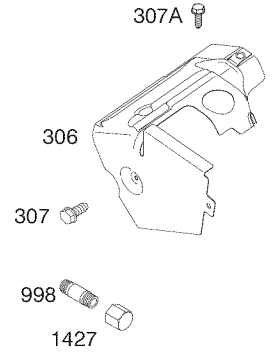
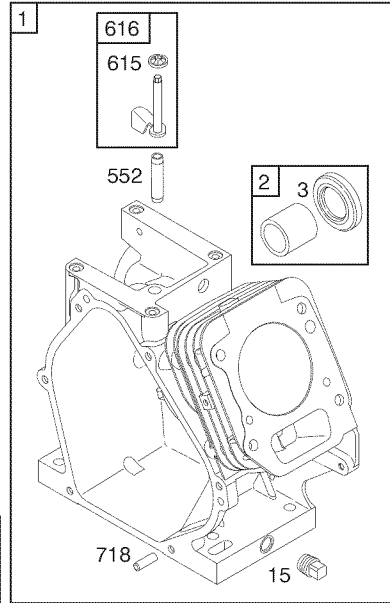
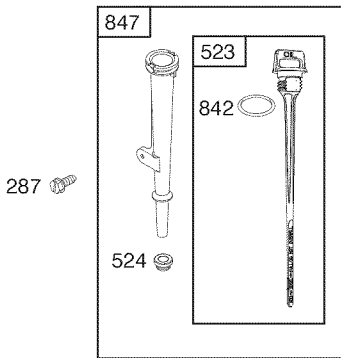
# 12D107-0159-E8

48 SHORT BLOCK

1058 OPERATOR'S MANUAL

1329 REPLACEMENT ENGINE

1330 REPAIR MANUAL



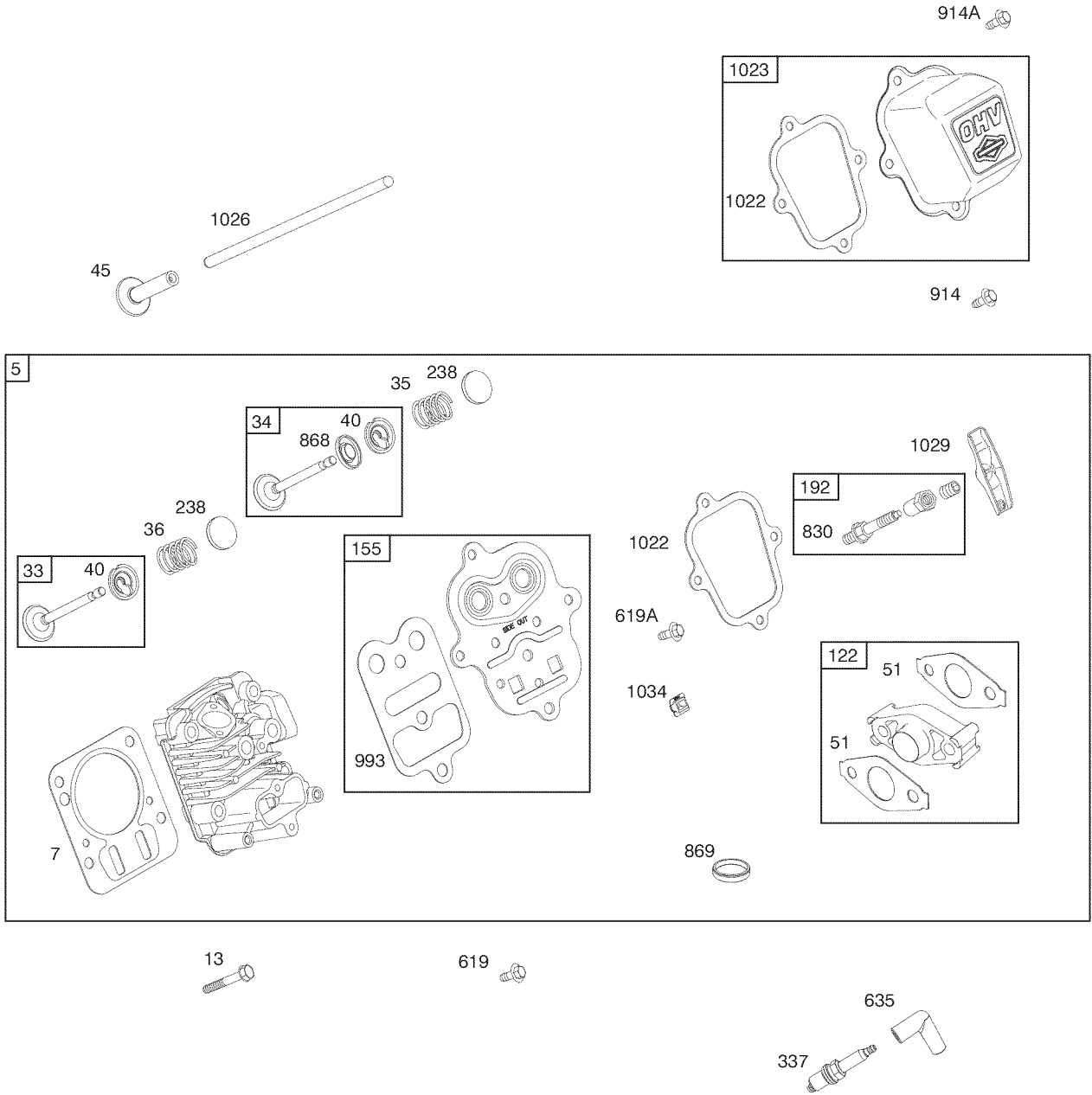
# 12D107-0159-E8

REF. NO.	PART NO.	DESCRIPTION	REF. NO.	PART NO.	DESCRIPTION	REF. NO.	PART NO.	DESCRIPTION	
1	699510	Cylinder Assembly	26	791969	Ring Set (Standard)	332	792723	Nut (Flywheel)	
2	796961	Kit-Bushing/Seal (Magneto Side)			----- <b>Note</b> -----	523	798469	Dipstick	
3	299819s	Seal-Oil			791324	Ring Set (.020" Oversize)	524	281370s	Seal-Dipstick Tube
12	699485	Gasket-Crankcase	27	691866	Lock-Piston Pin	552	692346	Bushing-Governor Crank	
15	691686	Plug-Oil Drain	28	499423	Pin-Piston	615	692576	Retainer-Governor Shaft	
16	797070	Crankshaft	29	798813	Rod-Connecting	616	692547	Crank-Governor	
18	699804	Cover-Crankcase	32	797437	Screw	718	690959	Pin-Locating	
20	692550	Seal-Oil (PTO Side)	46	693404	Camshaft	741	695087	Gear-Timing	
20A	694171	Seal-Oil (Generator Applications Only)	48	N/A	Short Block (Not Available At This Printing)	742	692564	Retainer-E Ring	
22	799318	Screw (Crankcase Cover/Sump)	146	690979	Key-Timing	746	790278	Gear-Idler	
24	222698s	Key-Flywheel (Aluminum)	219	693578	Gear-Governor	842	795015	Seal-O Ring (Dipstick Tube)	
25	795429	Piston Assembly (Standard)	220	691724	Washer (Governor Gear)	847	798468	Dipstick/Tube Assembly	
		----- <b>Note</b> -----	287	699629	Screw (Dipstick Tube)	998	696683	Pipe-Oil	
		795430	306	695710	Shield-Cylinder	1058	279128TRI	Operator's Manual	
		Piston Assembly (.020" Oversize)	307	699483	Screw (Cylinder Shield) (M4x11.1)	1329	N/A	Replacement Engine (Not Available At This Printing)	
			307A	790557	Screw (Cylinder Shield) (M4x16.6)	1330	272147	Repair Manual	
						1427	695757	Cap-Pipe	

Engine Gasket Set-Reference 358  
Carburetor Overhaul Kit-Reference 121

Valve Gasket Set-Reference 1095





# 12D107-0159-E8

REF. NO.	PART NO.	DESCRIPTION	REF. NO.	PART NO.	DESCRIPTION	REF. NO.	PART NO.	DESCRIPTION
5	797439	Head-Cylinder	122	795643	Spacer-Carburetor	869	691155	Seat-Valve
7	698210	Gasket-Cylinder Head	155	797442	Plate-Cylinder Head	914	699480	Screw
13	699482	Screw (Cylinder Head)	192	797440	Adjuster-Rocker Arm			(Rocker Cover)
33	499642	Valve-Exhaust	238	691300	Cap-Valve			(M6x15.8)
34	795443	Valve-Intake	337	691043	Plug-Spark	914A	797444	Screw
35	691304	Spring-Valve (Intake)	619	699481	Screw (Cylinder Head Plate)			(Rocker Cover)
36	691304	Spring-Valve (Exhaust)			(M6x15.8)	993	694088	Gasket-
40	692194	Retainer-Valve	619A	699230	Screw (Cylinder Head Plate)			Cylinder Head Plate
45	690977	Tappet-Valve			(M6x14.7)	1022	691890	Gasket-Rocker Cover
51	692555	Gasket-Intake (2 Required)	635	692076	Boot-Spark Plug	1023	499924	Cover-Rocker Arm
			830	797441	Stud-Rocker Arm	1026	790287	Rod-Push
			868	795440	Seal-Valve	1029	797443	Arm-Rocker
						1034	691343	Guide-Push Rod

Engine Gasket Set-Reference 358  
Carburetor Overhaul Kit-Reference 121

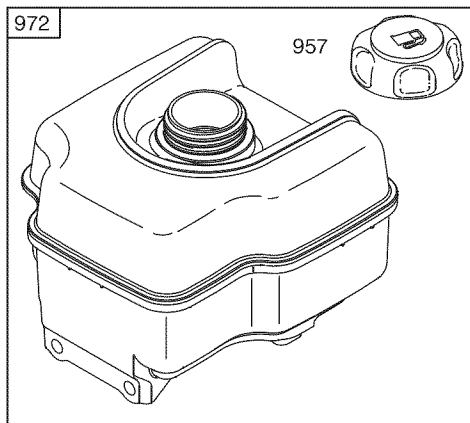
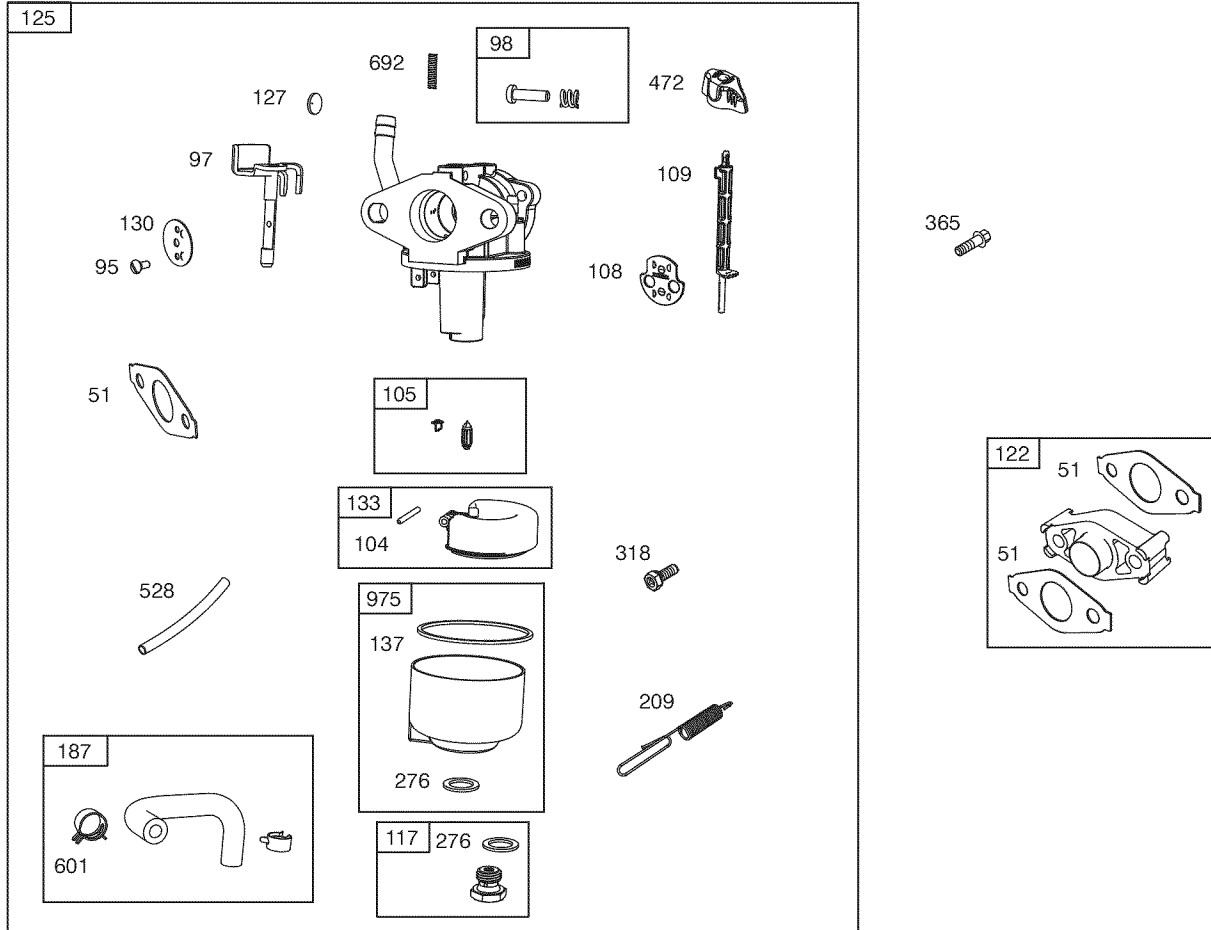
Valve Gasket Set-Reference 1095

MSC000484-5

Assemblies include all parts shown in frames.

12/06/2011

# 12D107-0159-E8



190 

# 12D107-0159-E8

REF. NO.	PART NO.	DESCRIPTION	REF. NO.	PART NO.	DESCRIPTION	REF. NO.	PART NO.	DESCRIPTION
51	692555	Gasket-Intake (2 Required)	127	797633	Plug-Welch	365	699484	Screw (Carburetor)
95	691636	Screw (Throttle Valve)	130	797630	Valve-Throttle	472	791948	Knob-Choke Shaft
97	797628	Shaft-Throttle	133	797136	Float-Carburetor	528	793006	Hose-Primer
98	797156	Kit-Idle Speed	137	798932	Gasket-Float Bowl	601	791850	Clamp-Hose (Green)
104	691242	Pin-Float Hinge	187	798907	Line-Fuel (Formed)	692	797624	Spring-Detent
105	797139	Valve-Float Needle	190	699220	Screw (Fuel Tank)	957	795027	Cap-Fuel Tank
108	796993	Valve-Choke	209	693206	Spring-Governor (Yellow)	972	694260	Tank-Fuel
109	791954	Shaft-Choke	276	797632	Washer-Sealing	975	798931	Bowl-Float
117	798930	Jet-Main (Standard)	318	798649	Screw (Mounting Bracket) M5x14)			
122	795643	Spacer-Carburetor						
125	798917	Carburetor						

Engine Gasket Set-Reference 358  
Carburetor Overhaul Kit-Reference 121

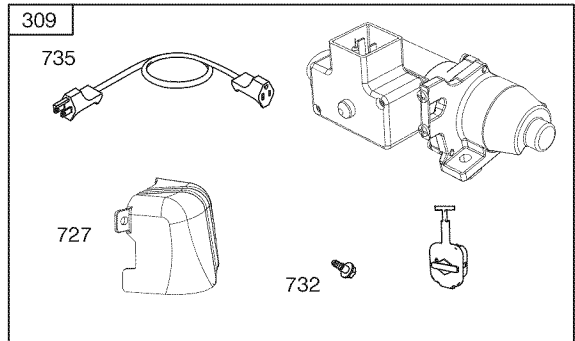
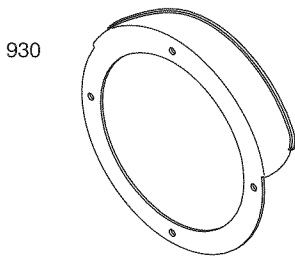
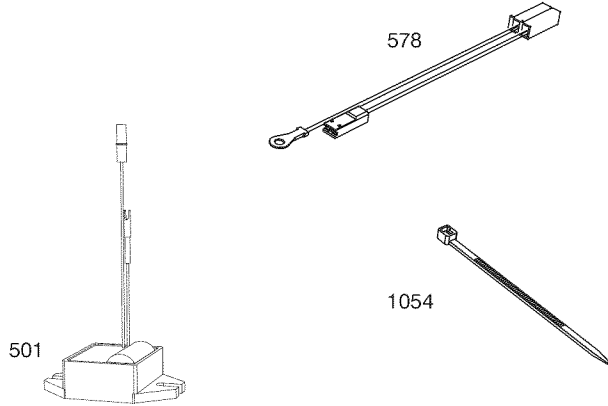
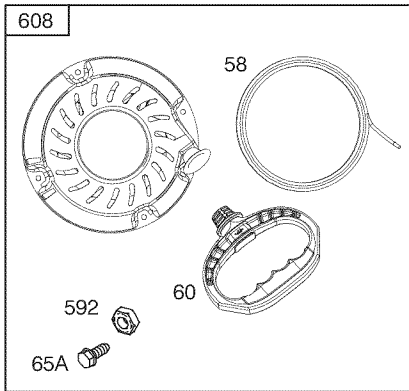
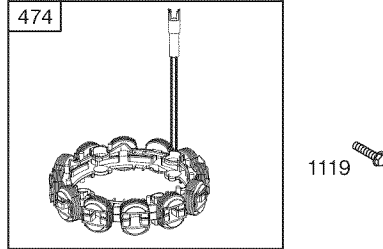
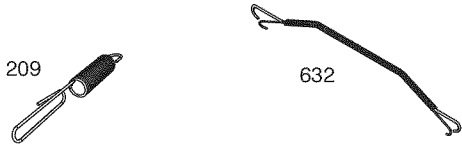
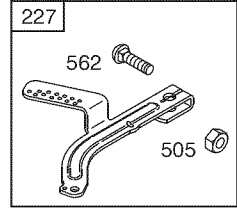
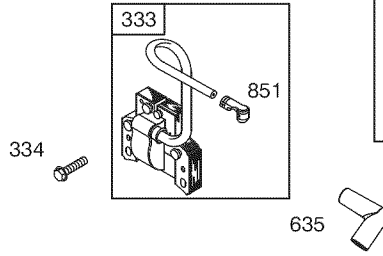
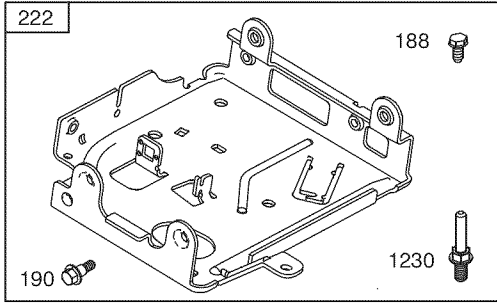
Valve Gasket Set-Reference 1095

MSC000484-7

*Assemblies include all parts shown in frames.*

12/06/2011

# 12D107-0159-E8



# 12D107-0159-E8

REF. NO.	PART NO.	DESCRIPTION	REF. NO.	PART NO.	DESCRIPTION	REF. NO.	PART NO.	DESCRIPTION
58	693389	Rope-Starter	474	797090	Alternator	727	698039	Cover-Starter Drive
60	699334	Grip-Starter Rope	493A	691117	Bracket-Mounting (Regulator)	732	699200	Screw (Starter Drive Cover)
65A	690837	Screw (Rewind Starter) (10-32x.27)	501	698315	Regulator	735	795901	Cord-Starter
188	699479	Screw (Control Bracket)	503	796239	Strap-Starter	813	690635	Clamp
190	699220	Screw (Fuel Tank)	505	691251	Nut (Governor Control Lever)	851	493880s	Terminal-Spark Plug
209	693206	Spring-Governor (Yellow)	562	691119	Bolt (Governor Control Lever)	930	696709	Guard-Rewind
222	793100	Bracket-Control	578	791956	Wire Assembly	1054	280275	Tie-Cable
227	794367	Lever- Governor Control	592	690800	Nut (Rewind Starter)	1119	699772	Screw (Alternator)
309	796238	Motor-Starter	608	797430	Starter-Rewind	1230	699847	Stud (Control Bracket)
318A	690297	Screw (Mounting Bracket) (1/4-20x.62)	632	692653	Spring/Link- Mechanical Governor			
333	796964	Armature-Magneto	635	692076	Boot-Spark Plug			
334	699477	Screw (Magneto Armature)	697	795026	Screw (Starter Motor)			

Engine Gasket Set-Reference 358  
Carburetor Overhaul Kit-Reference 121

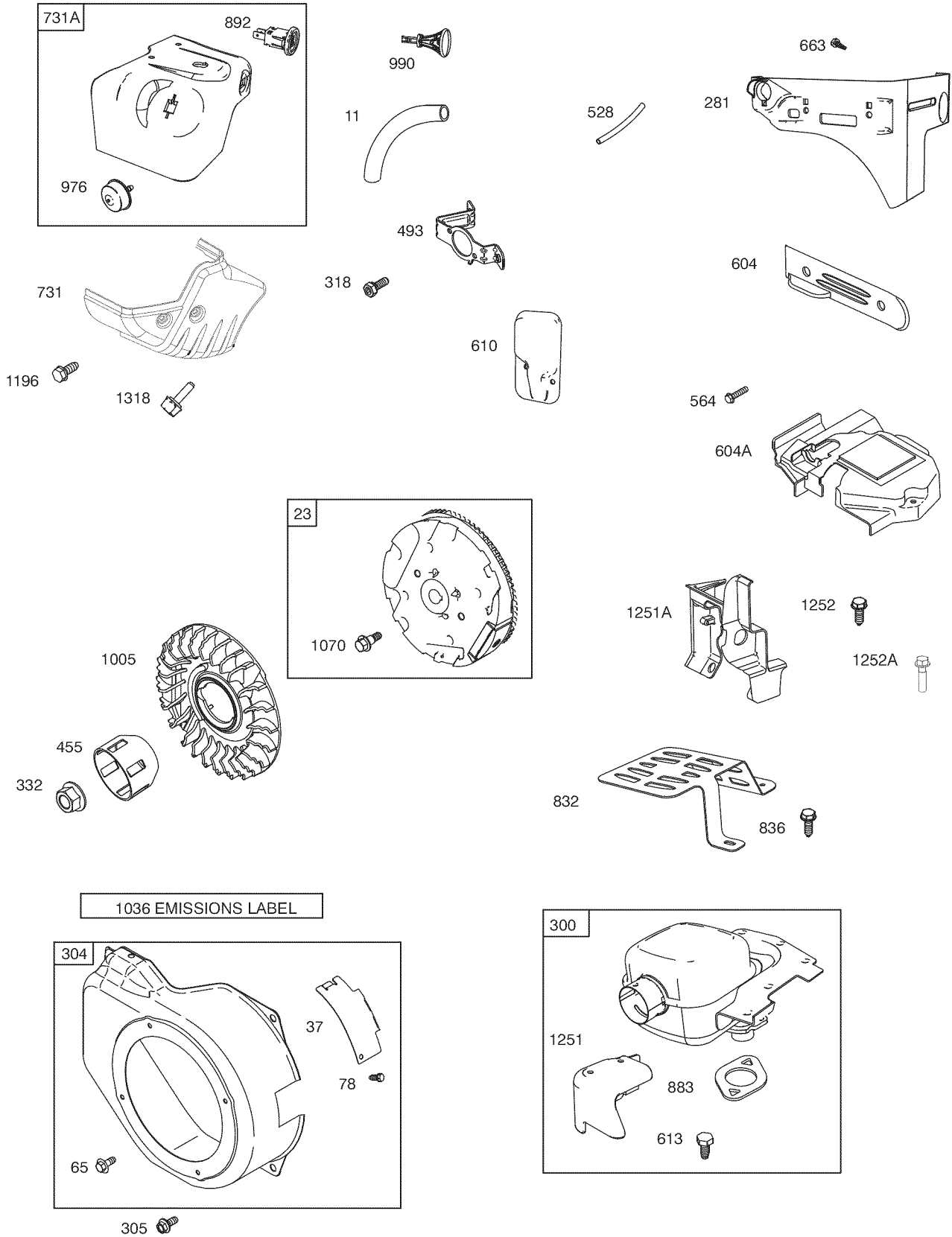
Valve Gasket Set-Reference 1095

MSC000484-9

Assemblies include all parts shown in frames.

12/06/2011

# 12D107-0159-E8



# 12D107-0159-E8

REF. NO.	PART NO.	DESCRIPTION	REF. NO.	PART NO.	DESCRIPTION	REF. NO.	PART NO.	DESCRIPTION
11	695745	Tube-Breather	455	797431	Cup-Flywheel	1036		Label-Emissions
23	798178	Flywheel	493	695744	Bracket-Mounting			(Available from a
37	699661	Guard-Flywheel	528	793006	Hose-Primer			Briggs & Stratton
65	699228	Screw	564	699854	Screw			Authorized Dealer)
		(Rewind Starter)			(Control Cover)	1070	699201	Screw
		(M5x6.3)	604	790473	Cover-Control			(Flywheel Fan)
78	699205	Screw	604A	793134	Cover-Control	1196	699854	Screw
		(Flywheel Guard)	610	794614	Arrestor-Intake			(Snow Hood)
281	793122	Panel-Control	613	791792	Screw	1251	796421	Shield-Snow
300	798173	Muffler			(Muffler)	1251A	790556	Shield-Snow
304	699598	Housing-Blower	663	699854	Screw	1252	699234	Screw
305	699480	Screw			(Control Panel)			(Snow Shield)
		(Blower Housing)	731	794589	Hood-Snow			(M5x11.1)
318	798649	Screw	731A	793643	Hood-Snow	1252A	699491	Screw
		(Mounting Bracket)	832	797003	Guard-Muffler			(Snow Shield)
		(M5x14)	836	699854	Screw			(M6x11)
		----- Note -----			(Muffler Guard)	1318	696692	Knob-Snow Hood
		798649 Screw	883	691893	Gasket-Exhaust			
		(Mounting Bracket)	892	791944	Switch-Key			
		(M5x12.3)	976	793382	Primer-Carburetor			
332	792723	Nut	990	794696	Key Set			
		(Flywheel)	1005	794273	Fan-Flywheel			

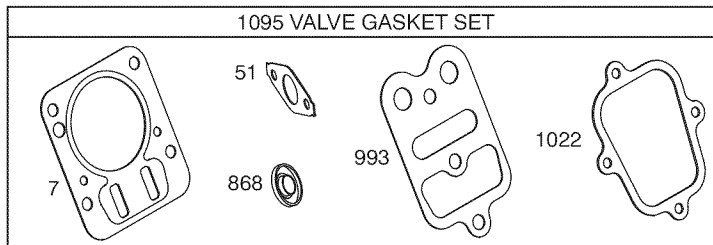
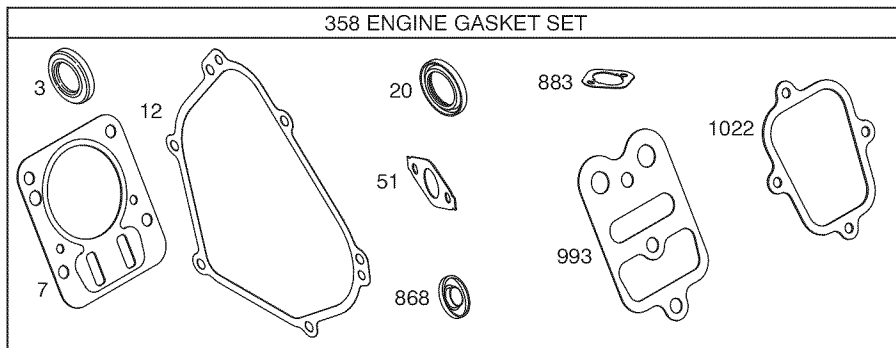
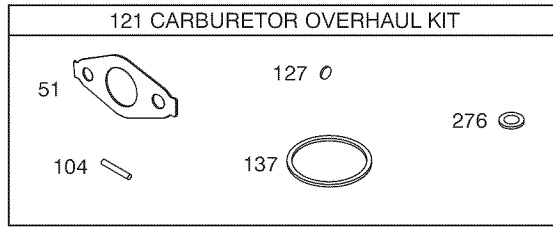
Engine Gasket Set-Reference 358  
Carburetor Overhaul Kit-Reference 121

Valve Gasket Set-Reference 1095

MSC000484-11

Assemblies include all parts shown in frames.

12/06/2011



# 12D107-0159-E8

REF. NO.	PART NO.	DESCRIPTION	REF. NO.	PART NO.	DESCRIPTION	REF. NO.	PART NO.	DESCRIPTION
3	299819s	Seal-Oil (Magneto Side)	104	691242	Pin-Float Hinge	868	795440	Seal-Valve
7	698210	Gasket-Cylinder Head	121	792006	Kit- Carburetor Overhaul	883	691893	Gasket-Exhaust
12	699485	Gasket-Crankcase	127	691739	Plug-Welch	993	694088	Gasket- Cylinder Head Plate
20	692550	Seal-Oil (PTO Side)	137	693981	Gasket-Float Bowl	1022	691890	Gasket-Rocker Cover
51	692555	Gasket-Intake (2 Required)	276	271716	Washer-Sealing	1095	791798	Gasket Set-Valve
			358	791797	Gasket Set-Engine			

Engine Gasket Set-Reference 358  
Carburetor Overhaul Kit-Reference 121

Valve Gasket Set-Reference 1095

MSC000484-13

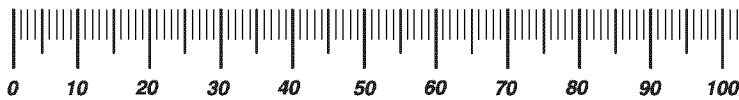
*Assemblies include all parts shown in frames.*

12/06/2011

# Hardware Identification & Torque Specifications

Torque Specification Chart								
FOR STANDARD METRIC MACHINE HARDWARE (Tolerance ± 20%)								
Property Class	5.6		8.8		10.9		12.9	
	Class 5.6		Class 8.8		Class 10.9		Class 12.9	
Size Of Hardware	in/lbs		in/lbs		in/lbs		in/lbs	
	ft/lbs	Nm.	ft/lbs	Nm.	ft/lbs	Nm.	ft/lbs	Nm.
M3	5.88	.56	13.44	1.28	19.2	1.80	22.92	2.15
M4	13.44	1.28	30.72	2.90	43.44	4.10	52.56	4.95
M5	26.4	2.50	60.96	5.75	5.97	8.10	7.15	9.7
M6	44.64	4.3	7.3	9.9	10.3	14	12.1	16.5
M7	5.2	7.1	12.1	16.5	16.9	23	19.9	27
M8	7.7	10.5	17.7	24	25	34	29	40
M10	15	21	35	48	50	67	59	81
M12	26	36	61	83	86.2	117	103	140
M14	42	58	101	132	136	185	162	220
M16	64	88	147	200	210	285	250	340
M18	89	121	202	275	287	390	346	470
M20	126	171	290	390	405	550	486	660
M22	169	230	390	530	559	745	656	890
M24	217	295	497	375	708	960	840	1140
M27	320	435	733	995	1032	1400	1239	1680
M30	435	590	995	1350	1401	1900	1681	2280
M33	590	800	1349	1830	1902	2580	2278	3090
M36	759	1030	1740	2360	2441	3310	2935	3980
M39	988	1340	2249	3050	3163	4290	3798	5150

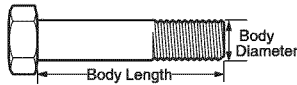
The guides and ruler furnished below are designed to help you select the appropriate hardware.



Nut, M8

Thread Diameter (mm)  
Inside Diameter (in)  
Threads per inch

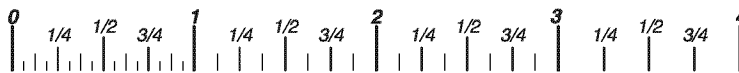
Nut, 1/2-16



Screw, M8- 1.25 x 25

Thread Diameter (mm)  
Body Diameter  
Distance between threads (mm)  
Threads per inch  
Body Length (mm)  
Body Length (in)

Screw, 1/2- 16 x 2



## Standard Hardware Sizing

When a washer or nut is identified as 1/2" (M8), this is the *Nominal size*, meaning the *inside diameter* is 1/2 inch (8mm metric thread diameter); If a second number is present it represents the *threads per inch* (distance between threads).

When bolt or capscrew is identified as 1/2 - 16 x 2" (M8 - 1.25 x 50 ), this means the *Nominal size*, or body diameter is 1/2 inch (8mm metric thread diameter), the second number, 16, represents the *threads per inch*, (1.25 thread diameter). The final number is the body length of the bolt or screw, 2 inches (50mm).

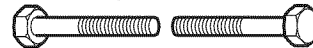
Torque Specification Chart						
FOR STANDARD MACHINE HARDWARE (Tolerance ± 20%)						
Hardware Grade	No Marks		SAE Grade 5		SAE Grade 8	
	SAE Grade 2		SAE Grade 5		SAE Grade 8	
Size Of Hardware	in/lbs		in/lbs		in/lbs	
	ft/lbs	Nm.	ft/lbs	Nm.	ft/lbs	Nm.
8-32	19	2.1	30	3.4	41	4.6
8-36	20	2.3	31	3.5	43	4.9
10-24	27	3.1	43	4.9	60	6.8
10-32	31	3.5	49	5.5	68	7.7
1/4-20	66	7.6	8	10.9	12	16.3
1/4-28	76	8.6	10	13.6	14	19.0
5/16-18	11	15.0	17	23.1	25	34.0
5/16-24	12	16.3	19	25.8	29	34.0
3/8-16	20	27.2	30	40.8	45	61.2
3/8-24	23	31.3	35	47.6	50	68.0
7/16-14	30	40.8	50	68.0	70	95.2
7/16-20	35	47.6	55	74.8	80	108.8
1/2-13	50	68.0	75	102.0	110	149.6
1/2-20	55	74.8	90	122.4	120	163.2
9/16-12	65	88.4	110	149.6	150	204.0
9/16-18	75	102.0	120	163.2	170	231.2
5/8-11	90	122.4	150	204.0	220	299.2
5/8-18	100	136	180	244.8	240	326.4
3/4-10	160	217.6	260	353.6	386	525.0
3/4-16	180	244.8	300	408.0	420	571.2
7/8-9	140	190.4	400	544.0	600	816.0
7/8-14	155	210.8	440	598.4	660	897.6
1-8	220	299.2	580	788.8	900	1,244.0
1-12	240	326.4	640	870.4	1,000	1,360.0

## NOTES

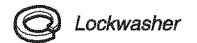
- These torque values are to be used for all hardware excluding: locknuts, self-tapping screws, thread forming screws, sheet metal screws and socket head setscrews.
- Recommended seating torque values for locknuts:
  - for prevailing torque locknuts - use 65% of grade5 torques.
  - for flange whizlock nuts and screws - use 135% of grade 5 torques.
- Unless otherwise noted on assembly drawings, all torque values must meet this specification.

## Common Hardware Types

Hex Head Capscrew

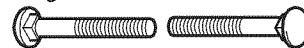


Washer



Lockwasher

Carriage Bolt



Hex Nut

## Wrench & Fastener Size Guide

1/4" Bolt or Nut Wrench—7/16"	5/16" Bolt or Nut Wrench—1/2"	3/8" Bolt or Nut Wrench—9/16"	7/16" Bolt or Nut Wrench (Bolt)—5/8" Wrench (Nut)—11/16"	1/2" Bolt or Nut Wrench—3/4"
M6 Bolt or Nut Wrench—10mm	M8 Bolt or Nut Wrench—13mm	M10 Bolt or Nut Wrench—17mm	M12 Bolt or Nut Wrench—19mm	M14 Bolt or Nut Wrench—22mm

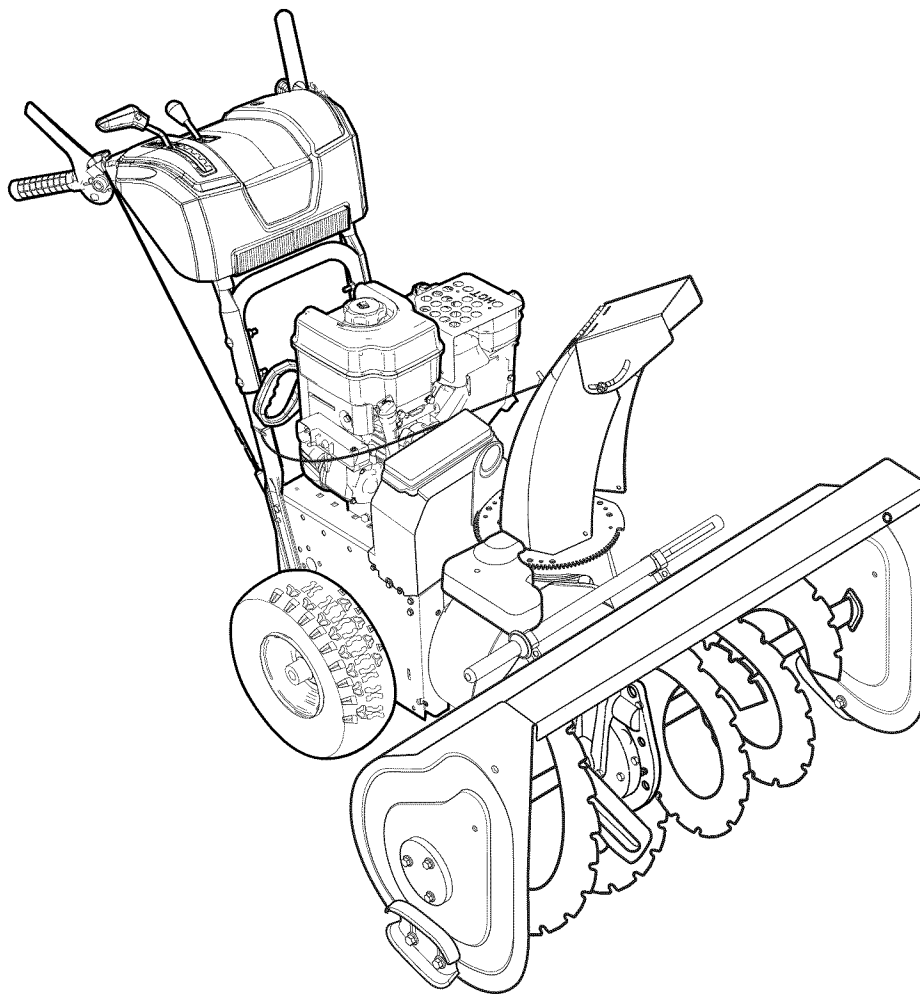
# Manual Del Dueño



## Lanzador de nieve de dos etapas

Nº de modelo

536.886180 (9.0 TP Briggs & Stratton con una ancho de separación de 27 pulgadas o 68 cm)



Si necesita realizar alguna pregunta sobre este producto, póngase en contacto con el **servicio de atención al cliente de Sears Craftsman** llamando al número **1-800-659-5917**.

Sears Brands Management Corporation, Hoffman Estates, IL 60179 EE. UU.  
Visite el sitio web de Craftsman: [www.craftsman.com](http://www.craftsman.com)



# ÍNDICE

Tapa delantera .....	1
Seguridad del operador.....	4
Características y controles .....	10
Funcionamiento.....	12
Pruebas de seguridad del quitanieves .....	12
Mantenimiento .....	19
Solución de problemas.....	24
Especificaciones .....	26
Garantía.....	27
Contrato de protección de reparaciones .....	28
Piezas de mantenimiento .....	PTS-1

## Información general

**Gracias** por haber adquirido este quitanieves CRAFTSMAN de alta calidad. Le agradecemos la confianza que ha depositado en la marca CRAFTSMAN. Cuando sea hecho funcionar y se realice su mantenimiento de conformidad con las instrucciones de este manual, su producto CRAFTSMAN le ofrecerá muchos años de funcionamiento fiable.

**Este manual contiene** información de seguridad para advertirle sobre los peligros y riesgos asociados con los lanzadores de nieve y cómo evitarlos. Este quitanieves está diseñado y destinado debe utilizarse para quitar nieve y no para ningún otro fin. Es importante que lea y entienda estas instrucciones con detenimiento antes de arrancar o poner en funcionamiento este equipo.

**Conserve estas instrucciones para futura referencia.**

## Datos de referencia del producto

Cuando se ponga en contacto con el distribuidor autorizado para pedir piezas de sustitución, reparaciones o información, DEBE tener disponibles estos números.

## Lanzadora de nieve

Número de Modelo \_\_\_\_\_

Revisión \_\_\_\_\_

Número de serie \_\_\_\_\_

## Motor

Número de Modelo \_\_\_\_\_

Revisión \_\_\_\_\_

Número de serie \_\_\_\_\_

Fecha de compra \_\_\_\_\_

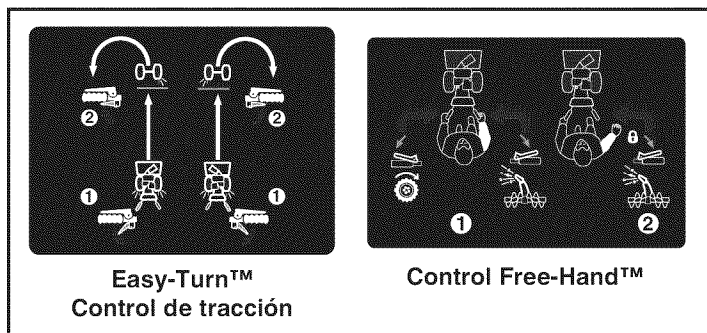
# SEGURIDAD DEL USUARIO

## Símbolos de peligro y significados

	Impulsor rotatorio		Fuego		Objetos tirados		Protección ocular
			Descarga eléctrica		Explosión		Piezas móviles
	Barrena rotatoria		Superficie caliente		Vapores tóxicos		Contragolpe
	Piezas giratorias		Distancia de seguridad		Protección para los oídos		Agentes químicos peligrosos
			Engranajes rotatorios				


## Símbolos de los controles del equipo


	Aceite		Lento		Encendido y apagado del motor				Manga de descarga
	Combustible		Rápido		Estrangulador-Puesta en marcha		Control de tracción		
	Corte del combustible		Embrague de barrena		Cebador del motor		Control del anillo sinfín		Deflector de manga
	Estrangulador apagado		Hacia delante		Marcha del motor				Empuñaduras climatizadas
	Estrangulador prendido		Neutro		Detención del motor		Arranque eléctrico		Bloqueo de rueda
	Parar		Marcha atrás						





NOTA: En el quitanieves no aparecerán todos los símbolos de los controles que se muestran en esta página. Consulte la sección *Características y controles* para ver los símbolos que correspondan.

## Símbolo de alerta de seguridad y palabras incluidas en señales

El símbolo de alerta de seguridad  y la palabra de señal (PELIGRO, ADVERTENCIA, PRECAUCIÓN o AVISO) se utilizan para indicar la probabilidad y la posible gravedad de las lesiones y/o los daños en el producto. Además, se puede usar un símbolo de peligro para representar el tipo de peligro.

 **PELIGRO** indica un peligro que, si no se evita, **ocasionará la muerte o una lesión grave.**

 **ADVERTENCIA** indica un peligro que, si no se evita, **podría ocasionar la muerte o una lesión grave.**

 **PRECAUCIÓN** indica un peligro que, si no se evita, **podría resultar en lesión menor o moderada.**

**AVISO** indica una situación que **puede provocar daños en el producto.**

### **ADVERTENCIA**

Algunos componentes de este producto y sus accesorios relacionados contienen sustancias químicas que el estado de California sabe que causan cáncer, defectos de nacimiento u otros daños reproductivos. Lávese las manos después de manejar la batería o sus accesorios.

### **ADVERTENCIA**

El escape del motor de este producto contiene sustancias químicas que el estado de California sabe que causan cáncer, defectos de nacimiento u otros daños reproductivos.

### **PELIGRO**

- El contacto con las manos con el impulsor giratorio dentro del conducto de descarga es la causa más común de lesiones asociadas a las lanzadoras de nieve.
- Esta lanzadora de nieve es capaz de amputar manos y pies y arrojar objetos. Lea y comprenda todas las instrucciones de seguridad que aparecen en este manual. Si no lo hace, es posible que pueda sufrir lesiones graves e incluso la muerte.

## Lea el manual



### **PELIGRO**

Lea, comprenda y siga todas las instrucciones que aparecen en el quitanieves y en el manual del operador antes de poner en funcionamiento esta unidad.

Si no lee detenidamente las instrucciones de seguridad que aparecen en este manual, podrá sufrir lesiones graves o incluso la muerte.

- Esté completamente familiarizado con los controles y el uso correcto de la lanzadora de nieve.
- Asegúrese de que tiene la capacitación necesaria antes de poner en funcionamiento el quitanieves.
- Sepa cómo parar la unidad y desactive los controles rápidamente.
- Nunca deje que nadie sin instrucción apropiada opere la lanzadora de nieve.
- Siga siempre las instrucciones que aparecen en el manual del operador si el quitanieves se va a almacenar durante un periodo de tiempo largo.
- Mantenga o cambie las etiquetas de instrucciones y de seguridad cuando sea necesario.
- Nunca intente realizar reparaciones mayores en esta lanzadora de nieve a no ser que tenga la capacitación necesaria. Si se llevan a cabo tareas de reparación incorrectas en el quitanieves, ello puede ocasionar un funcionamiento peligroso, daños en el equipo y la anulación de la garantía del producto.


## Manga de descarga



### **PELIGRO**

El conducto de descarga tiene un impulsor giratorio para lanzar la nieve. No limpie ni desatasque el conducto de descarga con las manos. Puede pillarse los dedos rápidamente en el impulsor. Utilice siempre una herramienta de limpieza. Si no sigue estas instrucciones de seguridad, podrá sufrir amputaciones traumáticas o graves laceraciones.


#### LIMPIAR UN CONDUCTO DE DESCARGA ATASCADO

 **PELIGRO:** El contacto con las manos con el impulsor giratorio dentro del conducto de descarga es la causa más común de lesiones asociadas a las lanzadoras de nieve. Nunca use sus manos para destapar la manga de descarga.


#### REALICE LAS SIGUIENTES INSTRUCCIONES:

1. APAGUE el motor.
2. Espere 10 segundos para asegurar que las aletas del impulsor hayan dejado de girar.
3. Use siempre una herramienta de limpieza general, no las manos.

## Funcionamiento y seguridad del equipo

	<p style="text-align: center;"><b>⚠ PELIGRO</b></p> <p>La lanzadora de nieve solamente es seguro dependiendo de cómo lo utilice el operador. Si se utiliza de manera incorrecta o si no se lleva a cabo un mantenimiento correcto, puede ser peligroso. Recuerde que usted es el responsable de su seguridad y de la de aquellos que le rodean.</p>
<ul style="list-style-type: none"> <li>• Mantenga el área de operación libre de personas, en especial de niños pequeños y mascotas.</li> <li>• Inspeccione a fondo el área donde se utilizará el quitanieves y retire todos los felpudos, trineos, tableros, cables y otros objetos extraños.</li> <li>• No ponga en funcionamiento el quitanieves sin llevar puesta ropa de abrigo adecuada.</li> <li>• Use calzado que mejore el equilibrio sobre superficies resbaladizas.</li> <li>• Tenga cuidado de no resbalarse o caerse, especialmente al dar marcha atrás.</li> <li>• Nunca opere la lanzadora de nieve sin buena visibilidad o luz. Siempre asegúrese de estar bien equilibrado y agárrese de las manijas firmemente.</li> <li>• No limpie la nieve a lo ancho de la cara de pendientes. Tenga extremo cuidado cuando cambie de dirección en pendientes. No intente limpiar laderas empinadas.</li> <li>• No sobrepase la capacidad de funcionamiento de la máquina intentando limpiar la nieve demasiado rápido.</li> <li>• Nunca opere la lanzadora de nieve a velocidades altas de transporte sobre superficies resbaladizas. Mire hacia atrás la lanzadora de nieve y tenga cuidado al desplazar el equipo marcha atrás.</li> <li>• No use la lanzadora de nieve en superficies sobre el nivel del suelo, tales como techos de casas, garajes, porches u otras estructuras o edificios de este tipo.</li> <li>• Estos operadores deberán evaluar su capacidad de operar la lanzadora de nieve de manera lo suficientemente segura como para evitar lesiones, en ellos mismos o en terceros.</li> <li>• La única finalidad de la lanzadora de nieve es retirar nieve. No utilice el quitanieves para ningún otro fin.</li> <li>• No transporte pasajeros.</li> <li>• Si golpea un objeto extraño, pare el motor, desconecte el cable en motores eléctricos, inspeccione detenidamente el quitanieves para comprobar si ha sufrido daños, y repare los daños antes de volver a arrancar y poner en funcionamiento el quitanieves.</li> <li>• Si el quitanieves vibra de manera anormal, APAGUE el motor. La vibración es, en general, advertencia de problemas. Vea a un concesionario autorizado, si necesario, para efectuar reparaciones.</li> <li>• En los modelos equipados con motores de arranque eléctricos, desconecte el cable de alimentación una vez que arranque el motor.</li> </ul>	


## Manipulación del combustible

	<p style="text-align: center;"><b>⚠ PELIGRO</b></p> <p>El combustible y sus vapores son extremadamente inflamables y explosivos. Manipule siempre el combustible extremando las precauciones.</p> <p>Si no sigue estas instrucciones de seguridad, es posible que se produzca un incendio o una explosión que podrían causar quemaduras graves o la muerte.</p>
<p><b>AL AGREGAR COMBUSTIBLE</b></p> <ul style="list-style-type: none"> <li>• Apague el motor y deje que se enfríe durante al menos 2 minutos antes de retirar la tapa de llenado y echar combustible.</li> <li>• Llene el tanque de combustible en exteriores en un área bien ventilada.</li> <li>• No llene demasiado el tanque de combustible. Para permitir que la gasolina se expanda, no lleve el depósito por encima de la parte inferior del cuello del tanque de combustible.</li> <li>• Mantenga el combustible alejado de chispas, llamas abiertas, pilotos, calor y otras fuentes de ignición.</li> <li>• Verifique las líneas de combustible, tapa y conectores a menudo, para constatar si presentan rajaduras o pérdidas. Cámbielas, si fuera necesario.</li> <li>• Use un recipiente de combustible aprobado.</li> <li>• Si se derrama combustible, espere hasta que se evapore para arrancar el motor.</li> </ul> <p><b>AL PONER EN MARCHA EL MOTOR</b></p> <ul style="list-style-type: none"> <li>• Asegúrese que la bujía, el silenciador, la tapa de llenado de combustible (si se tiene) y el filtro de aire estén colocados y fijos en su lugar.</li> <li>• No encienda el motor con la bujía desenchufada.</li> <li>• Si se derrama combustible, no intente arrancar el motor sino que debe alejar el quitanieves del área del derrame y evitar crear cualquier fuente de encendido hasta que se hayan disipado los vapores del combustible.</li> <li>• No cebe el motor en exceso. Siga las instrucciones para arrancar el motor que aparecen en este manual.</li> <li>• Si el motor se desborda, coloque el estrangulador (si se tiene) en la posición OPEN/RUN (ABRIR/MARCHA), coloque el acelerador en FAST (RÁPIDO) y gire el motor hasta que arranque.</li> </ul> <p><b>AL OPERAR EL EQUIPO</b></p> <ul style="list-style-type: none"> <li>• No incline el quitanieves con un ángulo que pueda hacer que el combustible se derrame.</li> <li>• No cebe el carburador para detener el motor.</li> <li>• Nunca ponga el motor en funcionamiento con el conjunto del filtro de aire (si lo tiene) o el filtro de aire (si lo tiene) quitados.</li> </ul> <p><b>CUÁNDO SE DEBE CAMBIAR EL ACEITE</b></p> <ul style="list-style-type: none"> <li>• Si extrae el aceite del tubo de aceite superior, el tanque de combustible debe estar vacío o es posible que se filtre combustible y que esto cause un incendio o una explosión.</li> </ul> <p><b>AL TRANSPORTAR EL EQUIPO</b></p> <ul style="list-style-type: none"> <li>• Transporte la unidad con el tanque VACÍO o hágalo con la válvula de cierre del combustible en la posición APAGADO.</li> </ul> <p><b>AL ALMACENAR GASOLINA O EL EQUIPO CON COMBUSTIBLE EN EL TANQUE</b></p> <ul style="list-style-type: none"> <li>• Almacene lejos de hornos, cocinas, calentadores de agua u otros aparatos con piloto u otra fuente de ignición, ya que pueden prender fuego a vapores del combustible.</li> </ul>	


## Piezas móviles

	<p align="center"><b>⚠ PELIGRO</b></p> <p>Mantenga alejados las manos, los pies y la ropa de las piezas giratorias. Las piezas giratorias pueden tocar o enredar las manos, pies, cabello, ropa o accesorios.</p> <p>Si no sigue estas instrucciones de seguridad, podrá sufrir amputaciones traumáticas o graves laceraciones.</p>
<ul style="list-style-type: none"> <li>• Siempre que limpie, repare o inspeccione el quitanieves, asegúrese de que el motor está APAGADO, que el cable de la bujía está desconectado y que todas las partes móviles están detenidas.</li> <li>• No coloque las manos o pies cerca o debajo de piezas giratorias. Manténgase lejos en todo momento de la apertura de descarga.</li> <li>• Nunca ponga en funcionamiento el quitanieves sin que las protecciones u otros dispositivos de seguridad apropiados estén colocados en su lugar y funcionen correctamente.</li> <li>• Nunca deje la lanzadora de nieve sin atención mientras el motor esté funcionando. Siempre desengrane los controles de barrena y tracción, apague el motor y retire las llaves.</li> <li>• Mantenga toda ropa floja lejos del frente de la lanzadora de nieve y la barrena. Bufandas, mitones, cordeles que cuelgan, ropa y pantalones anchos pueden atascarse rápidamente en el dispositivo giratorio, provocando una amputación. Recoja los cabellos largos y retire toda joya.</li> <li>• Opere la máquina algunos minutos después de lanzar nieve para evitar el congelamiento del colector/impulsor.</li> <li>• Desconecte la electricidad al colector/impulsor cuando la lanzadora de nieve sea transportada o no se esté utilizando.</li> </ul>	

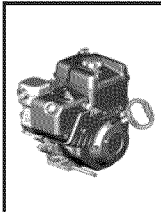
## Objetos tirados

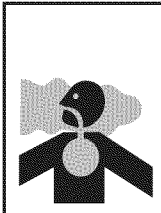
	<p align="center"><b>⚠ PELIGRO</b></p> <p>La barrena puede recoger objetos que luego serían arrojados por la manga. Nunca tire nieve hacia los transeúntes ni deje que haya personas delante del quitanieves. Si no lee detenidamente las instrucciones de seguridad, podrá sufrir lesiones graves o incluso la muerte.</p>
<ul style="list-style-type: none"> <li>• Lleve siempre gafas de seguridad o protección en los ojos durante el funcionamiento y mientras está ajustando o reparando la máquina.</li> <li>• Siempre esté conciente de la dirección en que se está lanzando la nieve. Peatones, mascotas o propiedad cercanos pueden sufrir daños a raíz de los objetos lanzados.</li> <li>• Esté conciente de su ambiente al operar la lanzadora de nieve. No pase por encima de materiales como gravilla, alfombras, periódicos, juguetes y piedras ocultos bajo la nieve, ya que pueden ser lanzados por el conducto o atascarse en el tornillo sinfín.</li> <li>• Tenga extremo cuidado al operar la máquina sobre caminos, entradas o calles de grava, o al cruzarlos.</li> <li>• Ajuste la altura de la caja del colector para limpiar superficies con grava o piedra triturada.</li> <li>• Nunca opere la lanzadora de nieve cerca de encerramientos de vidrio, automóviles, cuadros de ventana, puntos de descenso y lugares similares, sin ajustar el ángulo de la manga de descarga.</li> <li>• Familiarícese con el área en la que tiene planeado poner en funcionamiento el quitanieves. Marque los límites de los pasillos y los caminos.</li> </ul>	

## Niños




	<p align="center"><b>⚠ PELIGRO</b></p> <p>Pueden ocurrir accidentes trágicos si el operador no está atento a la presencia de niños. Los niños suelen sentirse atraídos a la unidad y a la actividad de operación. Nunca dé por supuesto que los niños se quedarán en el lugar donde los vio por última vez.</p>
<ul style="list-style-type: none"> <li>• Mantenga a los niños alejados mientras la máquina esté en funcionamiento. Los niños suelen sentirse atraídos por el equipo. Tenga en cuenta a todas las personas presentes.</li> <li>• Esté atento y apague el equipo si entran niños en la zona.</li> <li>• Nunca permita que niños hagan funcionar la unidad.</li> <li>• Tenga un especial cuidado al acercarse a esquinas ciegas, arbustos, árboles u otros objetos que puedan dificultar la visión. Es posible que haya niños cerca.</li> </ul>	

## Seguridad del motor

	<p align="center"><b>⚠ PELIGRO</b></p> <p>Para que el quitanieves funcione de manera segura, es necesario que el mantenimiento y reparación del motor se realice de la manera correcta. Si no lee detenidamente las instrucciones de seguridad que aparecen en este manual, podrá sufrir lesiones graves o incluso la muerte.</p>
<ul style="list-style-type: none"> <li>• Desengrane todos los embragues y coloque la transmisión en neutro antes de poner en marcha el motor.</li> <li>• Permita que el motor se ajuste a las temperaturas exteriores antes de eliminar nieve.</li> <li>• Utilice un enchufe de tres cables conectado a tierra para todos los quitanieves que estén equipados con motores de accionamiento eléctricos o con motores de arranque eléctrico.</li> </ul>	

	<p align="center"><b>⚠ PELIGRO</b></p> <p>El motor expulsa monóxido de carbono, y un gas venenoso, sin color y sin olor. Respirar monóxido de carbono puede causar náuseas, mareos o incluso la muerte.</p>
<ul style="list-style-type: none"> <li>• Arranque el motor y déjelo en marcha en exteriores.</li> <li>• No maneja el motor en recintos cerrados, incluso con las puertas y ventanas abiertas.</li> </ul>	

## Seguridad del motor (Continuación)

 	 <b>ADVERTENCIA</b>
	<p>El arranque del motor crea chispas. Las chispas pueden encender gases inflamables próximos. Podría resultar en explosión e incendio.</p>
<ul style="list-style-type: none"> <li>• Si hay una pérdida de gas natural o gas PL en el área, no ponga el motor en marcha.</li> <li>• No use líquidos de arranque presurizados, ya que los vapores son inflamables.</li> </ul>	

  	 <b>ADVERTENCIA</b>
	<p>El motor en marcha produce calor. Las piezas del motor, especialmente el silenciador, se vuelven sumamente calientes. Si no lee detenidamente las instrucciones de seguridad, es posible que sufra quemaduras térmicas graves con el contacto.</p>
<ul style="list-style-type: none"> <li>• Nunca toque un motor o silenciador caliente. Permita que el silenciador, el cilindro y las aletas del motor se enfríen antes de tocarlos.</li> <li>• Retire toda la suciedad del área del silenciador y del área del cilindro.</li> <li>• Instale y mantenga en buen estado de funcionamiento un dispositivo antichispas, antes de utilizar el equipo en tierras no mejoradas que contengan floresta, césped o maleza.</li> <li>• Constituye una infracción del artículo 4442 del California Public Resource Code utilizar u operar el motor en la proximidades de terrenos boscosos o de rastrojos o que estén cubiertos de hierba a menos que el sistema de escape esté equipado con un dispositivo antichispas, tal y como se define en la Sección 4442, que además se mantenga en un buen estado de funcionamiento. Otros estados o jurisdicciones federales pueden tener normas legales similares. Póngase en contacto con el fabricante original del equipo, el vendedor o el distribuidor para obtener un dispositivo antichispas para el sistema de escape instalado en este motor.</li> </ul>	

## Mantenimiento y almacenamiento

	 <b>ADVERTENCIA</b>
	<p>Este quitanieves debe mantenerse de manera adecuada para garantizar un rendimiento óptimo y un funcionamiento seguro. Si no lee detenidamente las instrucciones de seguridad que aparecen en este manual, podrá sufrir lesiones graves o incluso la muerte.</p>
<ul style="list-style-type: none"> <li>• Cuando esté realizando cualquier tipo de tarea de mantenimiento o reparación en el quitanieves, APAGUE el motor, desconecte el cable de la bujía y mantenga el cable lejos del enchufe para evitar que alguien arranque el motor de manera accidental.</li> <li>• Revise, con frecuencia, que los pernos de seguridad y otras piezas metálicas estén bien apretados para garantizar que el quitanieves esté en condiciones seguras de funcionamiento.</li> <li>• Mantenga las tuercas y tornillos apretados y mantenga la lanzadora de nieve en buenas condiciones.</li> <li>• Nunca fuerce los dispositivos de seguridad. Verifique periódicamente su correcto funcionamiento, y realice todas las reparaciones necesarias si no funcionan correctamente.</li> <li>• Los componentes están sujetos a desgaste, daños y deterioro. Verifique los componentes con frecuencia y reemplácelos por piezas recomendadas, cuando sea necesario.</li> <li>• Verifique el funcionamiento de los controles con frecuencia. Haga los ajustes y reparaciones necesarios.</li> <li>• Utilice solamente piezas de repuesto autorizadas por la fábrica o similares para las reparaciones.</li> <li>• Cumpla siempre con las especificaciones de fábrica en todas las configuraciones y ajustes.</li> <li>• Únicamente se deberán utilizar establecimientos autorizados para el mantenimiento y las reparaciones de mayor calado.</li> <li>• Use solo acoplamientos y accesorios aprobados por el fabricante (por ejemplo, pesos de rueda, contrapesos o cabinas).</li> <li>• Nunca intente realizar ajustes con el motor en marcha (excepto cuando así lo recomiende específicamente la empresa).</li> </ul>	

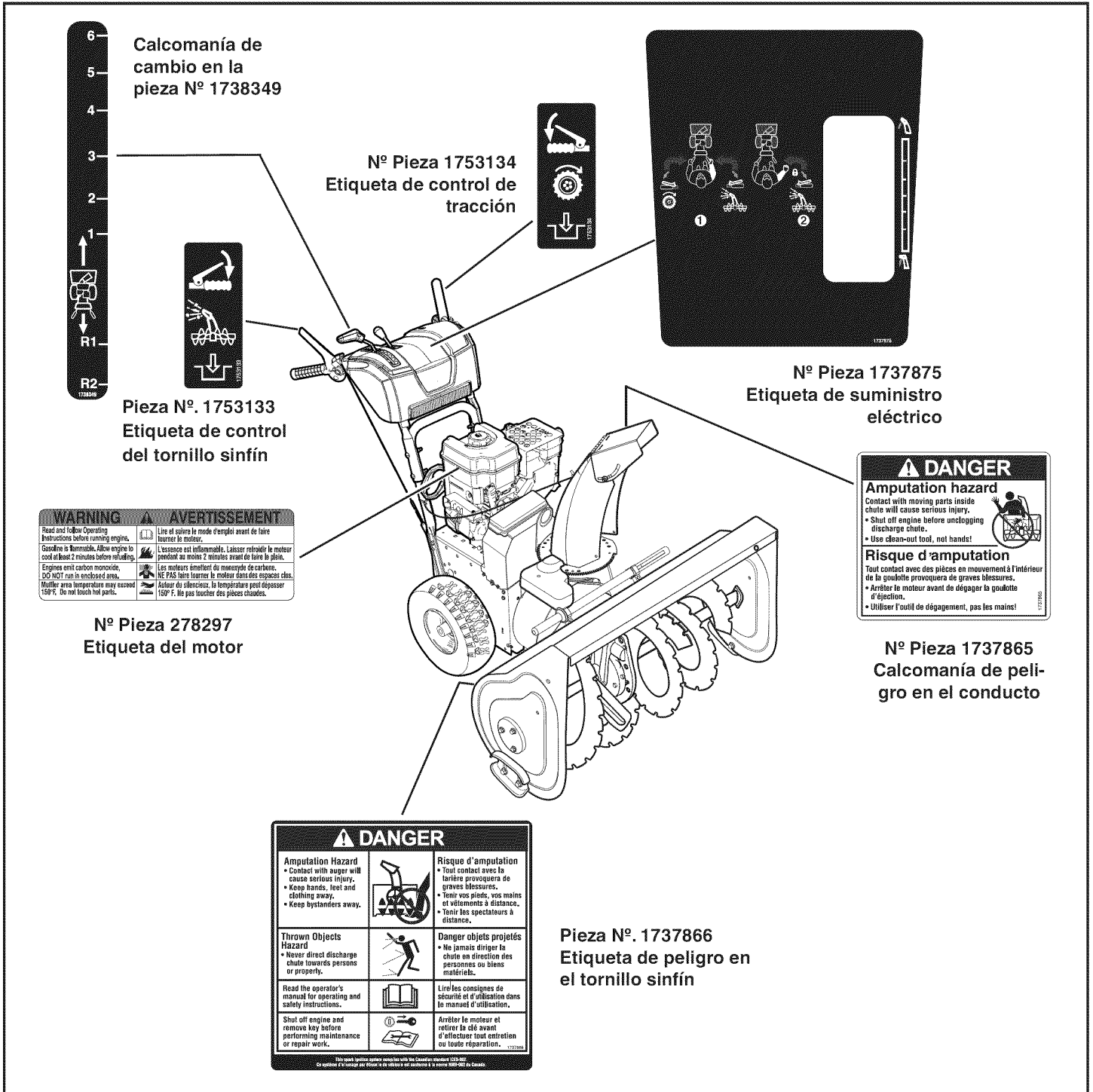


Busque este símbolo que indica precauciones de seguridad importantes. Este símbolo indica: "¡Atención! ¡Manténgase alerta! Su seguridad está en riesgo."



**WARNING:** Si alguna calcomanía de seguridad se desgasta o daña y no puede leerse, pida etiquetas de reemplazo a su concesionario local.

Antes de hacer funcionar la lanzadora de nieve, lea las calcomanías de seguridad como se muestra en la lanzadora de nieve. Las precauciones y advertencias son para su seguridad. Para evitar lesiones personales o daños a la lanzadora de nieve, comprenda y siga todas las calcomanías de seguridad.

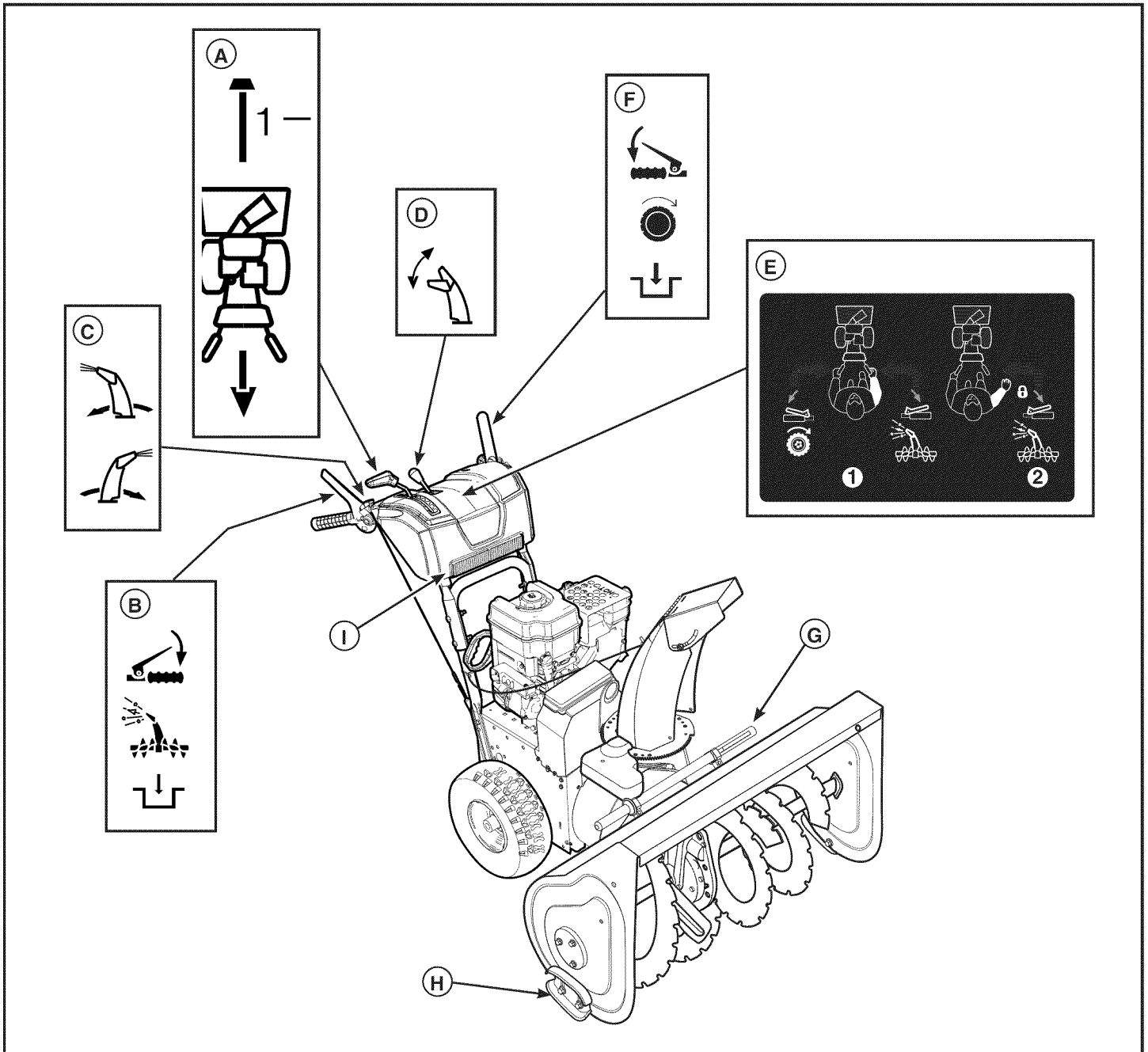


Calcomanías de seguridad

Figura 1



# CARACTERÍSTICAS Y CONTROLES



Controles del quitanieves

Figura 2

## CONTROLES DE LA LANZADORA DE NIEVE

**A. Palanca de selección de velocidad:** Permite que el operador use una de las seis (6) velocidades hacia adelante y una de las dos (2) velocidades de marcha atrás (consulte la figura 2). Para cambiar, mueva la palanca de selección de velocidad a la posición deseada.

**AVISO:** No mueva la palanca de selección de velocidad mientras el control de tracción esté acoplado. Esto puede producir daños graves al sistema de transmisión.

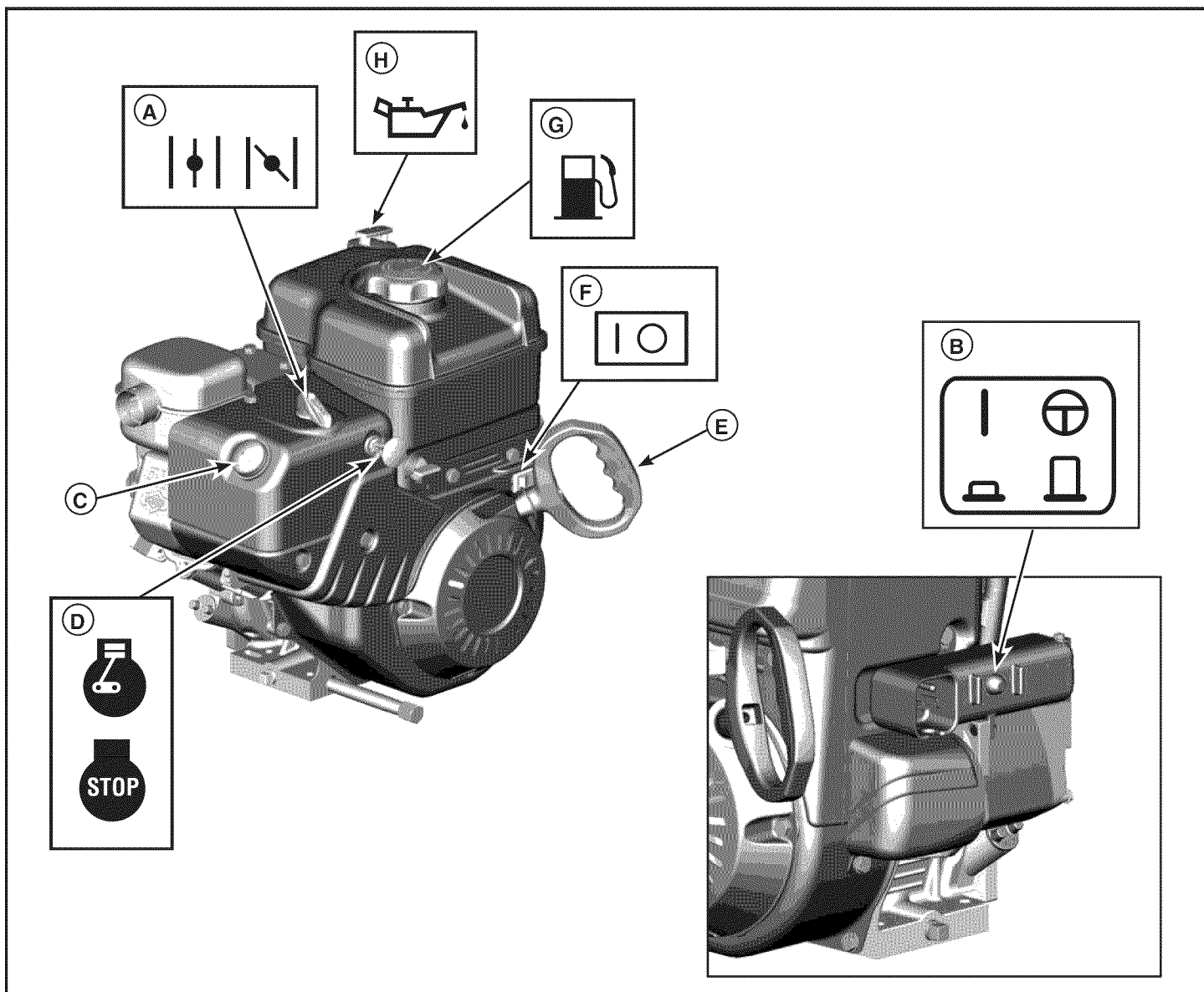
**B. Palanca de embrague de la transmisión del tornillo sinfín:** se usa para acoplar y desacoplar el tornillo sinfín y el impulsor. Presione hacia abajo para acoplar y suelte para desacoplar.

**C. Interruptor de rotación del conducto:** se utiliza para girar el conducto de descarga a la derecha o a la izquierda.

**D. Palanca del control del deflector:** se utiliza para controlar el ángulo del deflector del conducto (arriba o abajo).

**E. Control Free-Hand™:** una vez que se haya acoplado el control de tracción (mano izquierda) y el control del tornillo sinfín (mano derecha), el operador puede soltar la palanca de control del tornillo sinfín para utilizar el resto de controles.

**F. Palanca de control de la tracción:** se usa para impulsar el quitanieves hacia adelante o hacia atrás. Empuje hacia abajo para acoplar y suelte para desacoplar.



Controles del motor

Figura 3

#### CONTROLES DEL QUITANIEVES (Continuación)

- G. Herramienta de limpieza general:** se utiliza para sacar la nieve y los desechos del conducto de descarga y de la carcasa del tornillo sinfín.
- H. Zapatas:** se usan para ajustar la separación desde el suelo de la carcasa del tornillo sinfín.
- I. Foco delantero:** se utiliza para poner el funcionamiento el quitanieves cuando hay poca luz.

#### CONTROLES DEL MOTOR

- A. Botón del control del estrangulador:** se usa para arrancar el motor en frío (consulte la Figura 3).
- B. Botón de arranque eléctrico:** se usa para arrancar el motor usando el motor de arranque eléctrico.
- C. Botón cebador:** se usa para inyectar combustible directamente dentro del colector del carburador para garantizar el arranque rápido en climas fríos.

- D. Llave de seguridad:** se debe insertar para arrancar el motor. Sáquela para detener. No gire la llave de seguridad.
- E. Manilla del cable del motor de arranque:** se utiliza para arrancar el motor de manera manual.
- F. Interruptor principal de encendido/apagado:** se utiliza para arrancar y detener el motor.
- G. Tapa y tanque de combustible:** llene el tanque aproximadamente 1-1/2 pulgadas (38 mm) por debajo de la parte superior del cuello para permitir que el combustible se expanda.
- H. Tapa de llenado de aceite (Varilla medidora ampliada)**

# FUNCIONAMIENTO

## ANTES DE PONER EN FUNCIONAMIENTO EL QUITANIEVES

- Revise los sujetadores. Cerciórese de que todos los sujetadores estén ajustados.
- En los modelos con arranque eléctrico, la unidad se envió con el cable del motor de arranque enchufado dentro del motor. Antes del funcionamiento, desenchufe el cable del motor de arranque del motor.

NOTA: Esta lanzadora de nieve se envió CON ACEITE en el motor. Consulte las instrucciones que aparecen en la sección *Comprobar el aceite (Antes de arrancar el motor)* antes de poner en marcha el motor.



**WARNING:** El funcionamiento del quitanieves puede provocar que se metan objetos extraños a los ojos, lo que puede dañar gravemente la vista. Use siempre anteojos o viseras de seguridad antes de comenzar a operar la lanzadora de nieve. Se recomienda usar anteojos de seguridad estándar o mascarillas de seguridad de visión amplia sobre los anteojos.

## PRUEBAS DE SEGURIDAD DEL QUITANIEVES

### Prueba 1 - Tornillo sinfín/impulsor

- Suelte el control del tornillo sinfín (mano derecha).
- El tornillo sinfín/impulsor se detiene en 5 segundos.

### Prueba 2 - Transmisión de tracción

- Suelte el control de tracción (mano izquierda).
- El movimiento hacia delante/hacia atrás del quitanieves se detiene.

### Prueba 3 - Control Free-Hand (si tiene)

- Acople el control del tornillo sinfín y el control de tracción.
- Si suelta el control del tornillo sinfín inmediatamente después de que el control de tracción (a) detiene el tornillo sinfín/impulsor en menos de 5 segundos, y (b) detiene el movimiento hacia delante y marcha atrás del quitanieves.



**PELIGRO:** El conducto de descarga contiene un impulsor giratorio para quitar nieve. No limpie ni desatasque el conducto de descarga con las manos. Los dedos pueden quedar atrapados rápidamente y puede producirse una amputación o laceración grave. Utilice siempre una herramienta de limpieza general para limpiar o desatascar el conducto.



### WARNING:

- El contacto manual con el impulsor de giro que se encuentra dentro del conducto de descarga es la causa más común de lesiones asociadas a los quitanieves.
- Este quitanieves es capaz de amputar manos y pies y de lanzar objetos. Lea y comprenda todas las instrucciones de seguridad que aparecen en este manual. Si no sigue estas instrucciones, podrá sufrir lesiones graves o la muerte.

## PONER EN FUNCIONAMIENTO EL QUITANIEVES



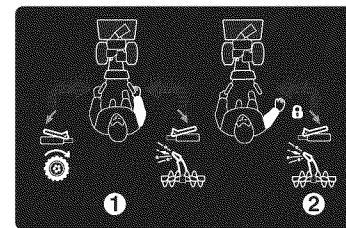
**PRECAUCIÓN:** Operación con una cabina para la nieve. El viento puede soplar devolviendo los gases del tubo de escape hacia el operador. Si huele a gas del tubo de escape, cambie la dirección de funcionamiento.

**AVISO:** No lance nieve hacia edificios debido a que se pueden lanzar objetos ocultos con fuerza suficiente para causar daños.

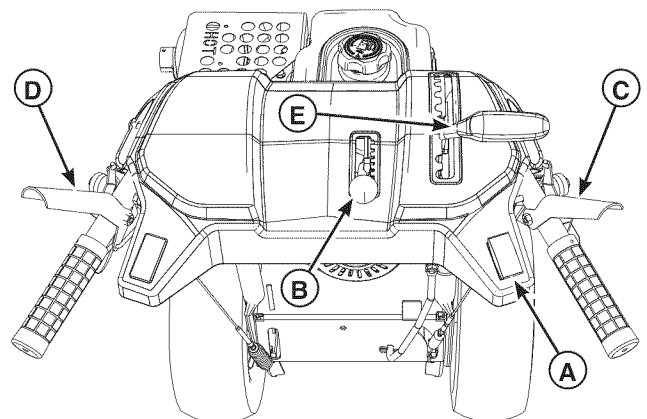
1. Arranque el motor Consulte *Arranque del motor* en esta sección.
2. Gire el interruptor de giro del conducto (A, Figura 4) a la posición ARRIBA/ABAJO para girar el conducto de descarga a la derecha o a la izquierda. Consulte *Conducto de descarga y deflector* en esta sección.



**PRECAUCIÓN:** Antes del funcionamiento, asegúrese de que en el área frente al quitanieves no haya transeúntes ni obstáculos.



Control Free-Hand™



Palancas de control

Figura 4

3. Empuje la palanca de control del deflector (**B**) hacia adelante o tire de ella hacia atrás para controlar el ángulo del deflector del conducto. Consulte **Conducto de descarga y deflector** en esta sección.
4. Presione totalmente y mantenga presionado el control del tornillo sinfín (**C**) para acoplar el giro del tornillo sinfín. Si se suelta la palanca de control del tornillo sinfín, se desacoplará el tornillo sinfín, a menos que se haya activado el control Free-Hand™.
5. Presione y mantenga presionada totalmente la palanca de control de tracción y el control Free-Hand™ (**D**) para acoplar la transmisión de la tracción y mover el quitanieves. Para desacoplar la transmisión, suelte por completo la palanca.
6. Cuando AMBAS palancas se presionan, se activa el control Free-Hand™. Esto le permite soltar la palanca de control del tornillo sinfín para utilizar el resto de controles. El tornillo sinfín continuará girando hasta que se suelte la palanca de control de tracción/Free-Hand™.

**NOTA: Siempre suelte la palanca de control de tracción antes de mover la palanca de selección de velocidad.**

7. Use la palanca de selección de velocidad (**E**) para seleccionar la velocidad de transmisión hacia delante. Fije la palanca de selección de velocidad en una de las siguientes posiciones, según lo determinen las condiciones de la nieve:
  - 1-2 Húmeda, pesada, fangosa, extra profunda
  - 3 Moderada
  - 4-5 Muy liviana
  - 6 Transportar

**NOTA: Cuando quite nieve húmeda y pesada, se recomienda que reduzca la velocidad de avance de la unidad, que se mantenga a toda marcha y que no se intente quitar la nieve de todo el ancho de la unidad.**

8. Para detener el movimiento hacia delante, suelte la palanca de control de la tracción (**D**).
9. Para mover el quitanieves hacia atrás, mueva la palanca de selección de velocidad hacia la posición inversa en primera o segunda y enganche la palanca de control de tracción.

## DETENCIÓN DEL QUITANIEVES

1. Suelte la palanca de control del tornillo sinfín (**C**, Figura 4)
2. Suelte la palanca de control de tracción (**D**).
3. Presione el interruptor de encendido/apagado (ON/OFF) (**A**, Figura 12) hacia la oposición OFF y saque la llave de seguridad (**B**).



**WARNING: Lea el manual del operador antes de poner en funcionamiento esta máquina. Esta máquina puede ser peligrosa si se usa sin cuidado.**

- Nunca ponga en funcionamiento la lanzadora de nieve sin todas las protecciones, tapas y defensas colocadas.
- Nunca descargue directamente hacia ventanas ni permita personas cerca de la máquina con el motor en marcha.
- Apague el motor siempre que deje la posición de operación.
- Desconecte la bujía antes de destapar la caja del impulsor o la manga de descarga, y antes de realizar reparaciones o ajustes.
- Cuando deje la máquina, quite la llave de seguridad. Para reducir el riesgo de incendio, mantenga la máquina limpia y libre de gasolina o aceite derramado y desechos.

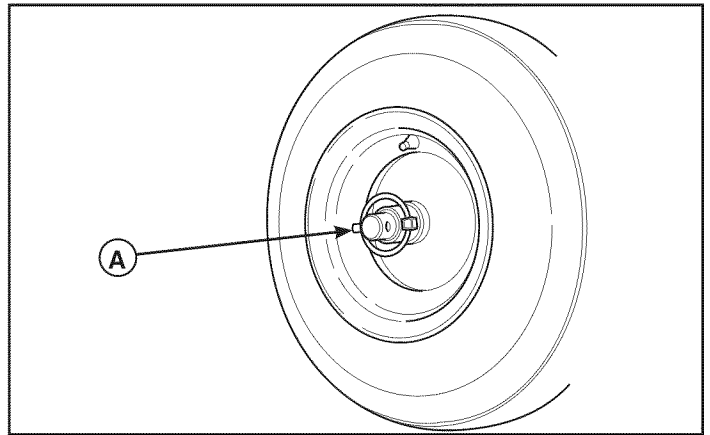


**WARNING: Nunca permita funcionar el motor en interiores o en áreas cerradas y con mala ventilación. Los gases del tubo de escape del motor contienen MONÓXIDO DE CARBONO, GAS INODORO y LETAL.**

- Mantenga las manos, los pies, el pelo y la ropa suelta lejos de las piezas móviles del motor y del quitanieves.
- La temperatura del silenciador o áreas cercanas puede ser superior a 150°F (66°C). Evite estas áreas.
- NO PERMITA que niños o adolescentes jóvenes operen la lanzadora de nieve o estén cerca de la misma cuando esté en funcionamiento.

## CLAVIJA DE BLOQUEO DE TRACCIÓN

La rueda de tracción derecha solamente se puede soltar utilizando la clavija de bloqueo (A, Figura 5). Esto permite que la unidad se mueva fácilmente con el motor apagado.



Clavija de bloqueo de tracción

Figura 5

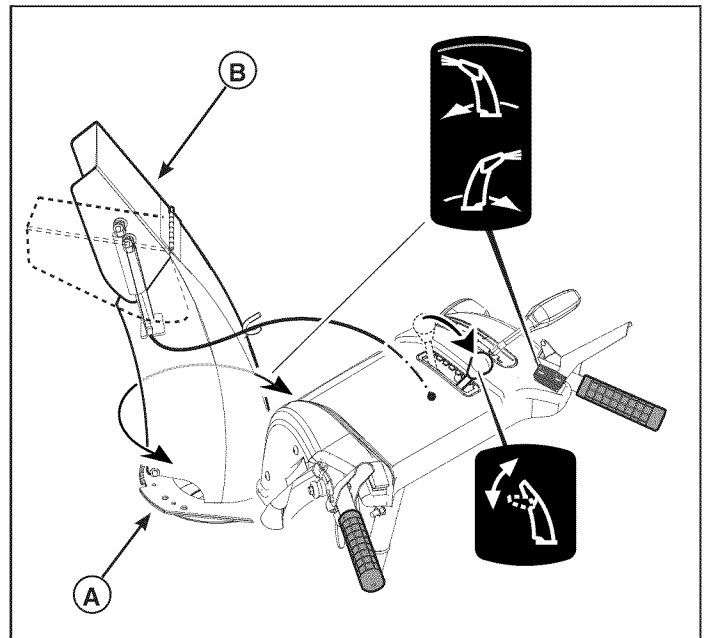
## CONDUCTO DE DESCARGA Y DEFLECTOR

### Giro del conducto de descarga (izquierda/derecha)

1. Presione el interruptor de giro del conducto a la posición ARRIBA y manténgalo pulsado para girar el conducto a la izquierda (A, Figura 6).
2. Después de obtener la posición deseada, libere el interruptor a la posición CENTRO para desconectar.
3. Pulse el interruptor a la posición ABAJO y manténgalo pulsado para girar el conducto a la derecha.

### Deflector del conducto (arriba/abajo)

1. Presione la palanca del control del deflector HACIA DELANTE para aumentar el flujo y la distancia (B, Figura 6).
2. Tire de la palanca del control del deflector hacia ATRÁS para reducir el flujo y la distancia.



Conducto de descarga y deflector

Figura 6

## REVISIÓN DEL ACEITE (ANTES DE ARRANCAR EL MOTOR)

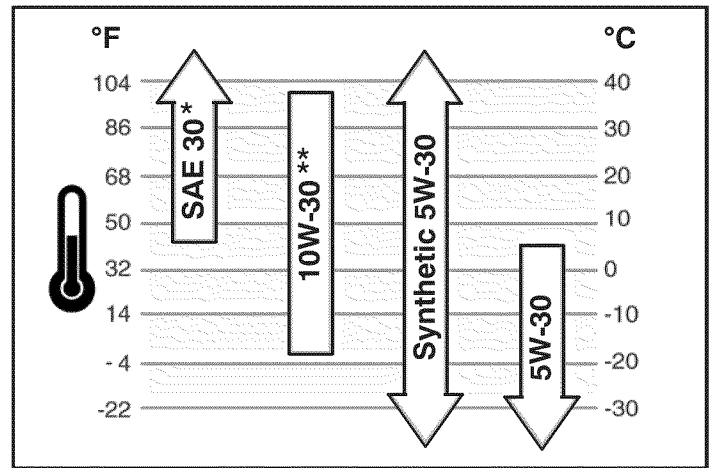
**NOTA:** El motor se envía de fábrica lleno de aceite. Compruebe el nivel de aceite. Agregue aceite si se necesita.

1. Cerciórese de que la unidad esté nivelada. Use aceite detergente de alta calidad clasificado "Para el servicio SG, SH, SJ, SL o superior".
2. Saque la tapa de llenado de aceite/varilla de nivel de aceite (A, Figura 7) y límpiela con un paño limpio.
3. Inserte la tapa de llenado de aceite/varilla medidora y gire hacia la derecha para apretar.
4. Retire la tapa de llenado de aceite/varilla medidora y verifique el aceite.

**NOTA:** No revise el nivel de aceite mientras esté en funcionamiento el motor.

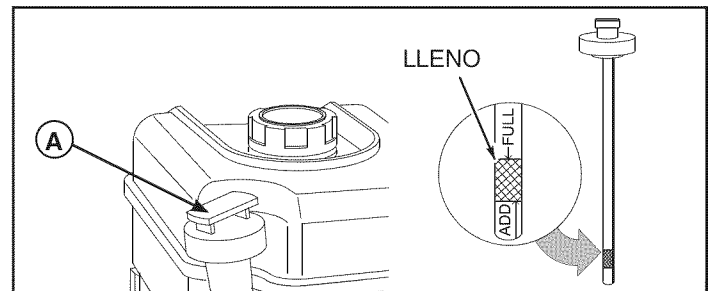
5. Si fuera necesario, añada aceite hasta que alcance la marca de LLENO en la tapa de llenado de aceite/varilla de nivel de aceite. No agregue demasiado aceite.
6. Apriete la tapa de llenado de aceite/varilla de nivel de aceite firmemente cada vez que revise el nivel de aceite.

**NOTA:** El aceite de motor sintético 5W30 se puede utilizar en todas las temperaturas. NO mezcle aceite con gasolina. Consulte la tabla para ver las recomendaciones de aceite.



\* Por debajo de 4 °C (40° F), el uso de SAE 30 se traducirá en un arranque difícil.

\*\* Por encima de 80°F (27°C), el uso de 10W-30 podrá ocasionar un aumento del consumo de aceite. Compruebe el nivel de aceite con frecuencia.



Revisión del aceite

Figura 7

## RECOMENDACIONES SOBRE COMBUSTIBLE

**El combustible debe cumplir los siguientes requisitos:**

- Gasolina fresca y sin plomo.
- Un mínimo de 87 octanos/87 AKI (91 RON). Para usos en altitudes altas, véase abajo.
- La gasolina con un máximo del 10% de etanol (gasohol) o un máximo del 15% de MTBE (acetato de metiléter de propilenglicol).

**AVISO:** No utilice gasolinas no homologadas, como es el caso de E85. No haga mezclas con las gasolina ni realice modificaciones en el motor para hacerlo funcionar con otros combustibles. Hacer tal cosa dañaría los componentes del motor y anularía la garantía del motor.

Para proteger el sistema de combustible de la formación de resinas, mezcle un estabilizador de combustible en el combustible. No todos los combustibles son iguales. Si tiene problemas durante el arranque o el funcionamiento, cambie de proveedor o marca de combustible. El funcionamiento de este motor con gasolina está certificado. El sistema de control de emisiones para este motor es EM (Modificaciones de motores).

### Altitud elevada

A altitudes superiores a los 1524 metros (5000 pies), se puede utilizar una gasolina de 85 octanos/85 AKI (89 RON). Para cumplir con la normativa sobre emisiones, es necesario realizar un ajuste en altitudes elevadas. Si pone en funcionamiento la máquina sin realizar este ajuste, el rendimiento de la máquina disminuirá, aumentará el consumo de combustible y aumentarán las emisiones. Consulte a un distribuidor autorizado de Briggs & Stratton para obtener información sobre el ajuste para altitudes altas.

No se recomienda hacer funcionar el motor con el kit para altitudes altas a altitudes inferiores a los 762 metros (2500 pies).

## AÑADIR COMBUSTIBLE



### **WARNING:**



**El combustible y sus vapores son extremadamente inflamables y explosivos.**



**El fuego o las explosiones pueden causar quemaduras graves o incluso la muerte.**

### **Cuando debe añadir combustible**

- Apague el motor y deje que el motor se enfríe durante al menos 2 minutos antes de retirar la tapa de llenado de combustible.
- Llene el tanque de combustible en exteriores en un área bien ventilada.
- No llene demasiado el tanque de combustible. Para permitir que el combustible se expanda, no lleve el depósito por encima de la parte inferior del cuello del tanque de combustible.
- Mantenga el combustible alejado de chispas, llamas abiertas, pilotos, calor y otras fuentes de ignición.
- Verifique las líneas de combustible, tanque, tapa y conectores a menudo, para constatar si presentan rajaduras o pérdidas. Cámbielas, si fuera necesario.
- Si se derrama combustible, espere hasta que se evapore para arrancar el motor.

1. Limpie el área de la tapa del tanque de combustible. Retire la tapa del depósito de combustible (**G**, Figura 3).
2. Llene el depósito de combustible con combustible. Para permitir que el combustible se expanda, no lleve el depósito por encima de la parte inferior del cuello del tanque de combustible.
3. Vuelva a instalar la tapa del combustible.

## PUESTA EN MARCHA DEL MOTOR

Asegúrese de que el aceite del motor se encuentre en la marca FULL (lleno) en la tapa de llenado de aceite/varilla medidora. El motor del quitanieves está equipado con un motor de arranque eléctrico de CA y un motor de arranque manual. Antes de arrancar el motor, asegúrese de haber leído la siguiente información.

Si se ahoga el motor, coloque el estrangulador en la posición OPEN/RUN (Abierto/Marcha) y encienda hasta que arranque el motor.



**WARNING: El motor de arranque eléctrico está equipado con un cable de alimentación eléctrica de tres cables y un enchufe diseñado para la corriente doméstica de CA. El cable de alimentación eléctrica debe estar conectado a tierra en forma apropiada en todo momento para evitar la posibilidad de descargas eléctricas que puedan causar lesiones al operador. Siga todas las instrucciones cuidadosamente, según se expone:**

**Asegúrese de que la casa tenga un sistema conectado a tierra de tres cables.**

**Si no está seguro, consulte con un electricista autorizado. Si la casa no tiene un sistema conectado a tierra de tres cables, no use este motor de arranque eléctrico bajo ninguna condición.**

**Si la casa tiene un sistema conectado a tierra de tres cables, pero no tiene un enchufe hembra de tres orificios para conectar el motor de arranque eléctrico, solicite a un electricista autorizado que instale un enchufe hembra de tres orificios.**



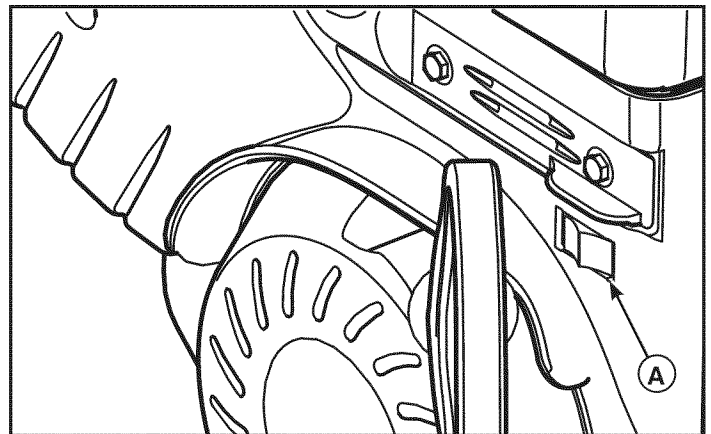
**WARNING: Para conectar el cable de alimentación eléctrica, siempre conecte el cable de alimentación primero a la caja del interruptor localizado en el motor y luego enchufe el otro extremo dentro del enchufe hembra de tres orificios conectado a tierra.**



**WARNING: Para desconectar el cable de alimentación, siempre desenchufe primero el extremo conectado al enchufe hembra de tres orificios conectado a tierra.**

### **Ajuste el motor de la siguiente forma:**

1. Compruebe el nivel de aceite. Consulte la sección **Revisar/ Agregar aceite** en el Manual del motor.
2. Asegúrese de que los controles de transmisión del equipo estén desenganchados.
3. Pulse el interruptor de APAGADO/ENCENDIDO (**A**, Figura 8) hasta la posición de APAGADO.



Arranque del motor **Figura 8**

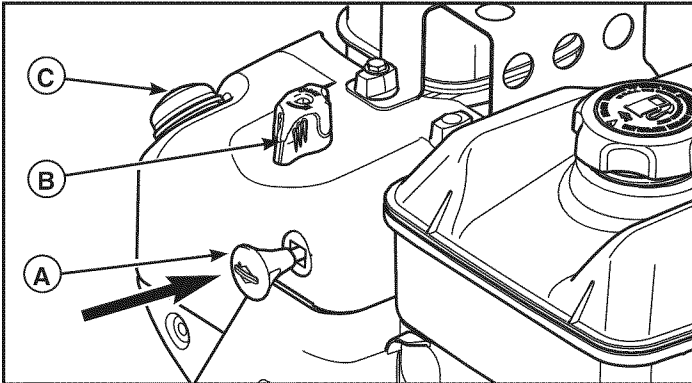
4. Inserte la llave de seguridad (A, Figura 9) en la ranura para llave de seguridad y muévala completamente a la posición marcha (RUN).
5. Gire lentamente el botón del estrangulador (B) en el sentido de las agujas del reloj si el motor está frío.

**NOTA:** No utilice el cebador para arrancar un motor caliente.

6. Presione el botón cebador (C) dos veces.

**NOTA:** No use el botón cebador para arrancar el motor caliente.

**NOTA:** Asegúrese de que el cable de extensión eléctrica se retire del enchufe.



Inserción de la llave de seguridad

Figura 9

7. **Rebobine el arranque:** Sostenga firmemente la manilla del cable del motor de arranque (A, Figura 10). Tire de la manilla del cable del motor de arranque lentamente hasta que sienta resistencia, luego tire rápidamente.



**WARNING:** La retracción rápida del cable del motor de arranque (retroceso) tirará de su mano y brazo hacia el motor más rápido de lo que usted lo pueda soltar. Esto puede producir huesos rotos, fracturas, contusiones o torceduras. Cuando arranque el motor, tire lentamente del cable de arranque hasta que sienta resistencia y empuje rápidamente para evitar el retroceso rápido.

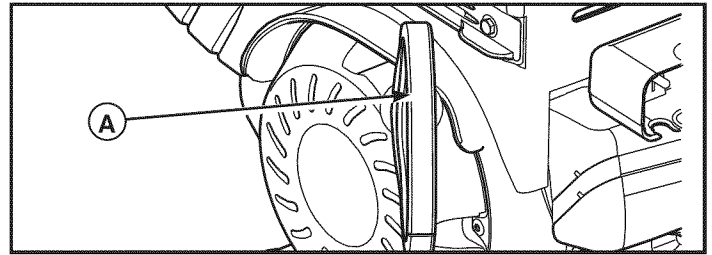
**NOTA:** Si el motor no arranca después de tres intentos, consulte la sección *Solución de problemas* en el Manual del motor.

8. **Arranque eléctrico:** Primero conecte el cable de la extensión al enchufe del cable de alimentación y luego en el enchufe de la pared. Si se requiere un cable de extensión adicional, asegúrese de que sea de tres cables.



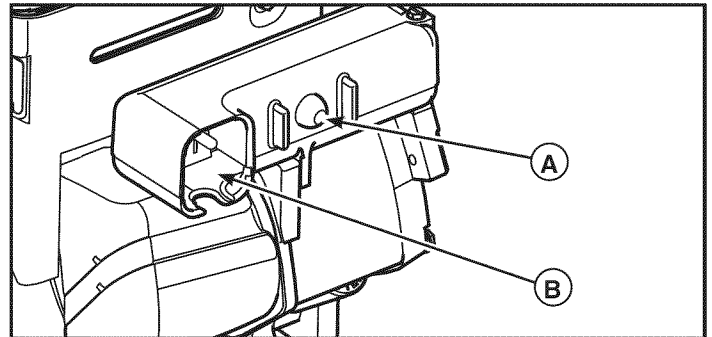
**WARNING:** Si el cable de extensión está dañado, el fabricante (o su agente de servicio) debe reemplazarlo o una persona calificada en forma similar para evitar peligros.

9. **Arranque eléctrico:** Presione el botón del motor de arranque (A, Figura 11). Después de arrancar el motor, primero desconecte el cable de la extensión desde el enchufe de la pared y luego desde el enchufe del cable de alimentación (B).



Arranque con la manilla del cable

Figura 10



Partida con arranque eléctrico

Figura 11

**IMPORTANTE:** Para extender la vida útil del motor de arranque, use ciclos cortos (máximo cinco segundos) de arranque. Espere un minuto entre los ciclos de arranque.

**NOTA:** Si el motor no arranca después de tres intentos, consulte la sección *Solución de problemas* en el Manual del motor.

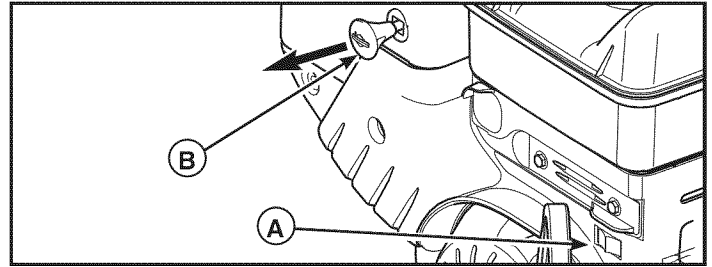
## DETENCIÓN DEL MOTOR

Antes de detener el motor, deje el motor al ralentí durante algunos minutos para ayudar a secar cualquier humedad en el motor.

**! VARNING:** La gasolina y sus vapores son extremadamente inflamables y explosivos. El fuego o las explosiones pueden causar quemaduras graves o incluso la muerte. NO ahogue el carburador para detener el motor.

1. Pulse el interruptor de APAGADO/ENCENDIDO (A, Figura 12) hasta la posición de ENCENDIDO.
2. Quite la llave de seguridad (B). Mantenga la llave de seguridad fuera del alcance de los niños.

**NOTA:** No pierda la llave de seguridad. Mantenga la llave de seguridad en un lugar seguro. El motor no arranca sin la llave de seguridad/encendido.



Detención del motor

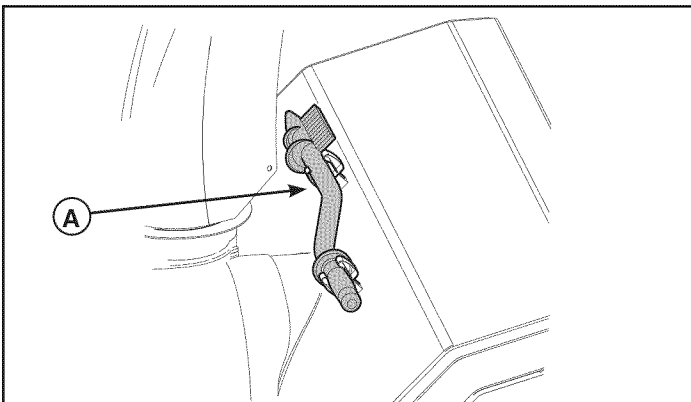
Figura 12

## DESPEJE DEL CONDUCTO DE DESCARGA ATASCADO

**! PELIGRO:** El contacto con las manos con el impulsor giratorio dentro del conducto de descarga es la causa más común de lesiones asociadas a las lanzadoras de nieve. Nunca despeje ni desatasque el conducto de descarga con las manos o mientras esté funcionando el motor. Los dedos pueden quedar atrapados rápidamente y puede haber una amputación o laceración grave.

- ¡APAGUE EL MOTOR!
- Espere 10 segundos para asegurarse de que las cuchillas del impulsor hayan dejado de girar.
- Use siempre una herramienta de limpieza general, no las manos.

Hay una herramienta de limpieza general (A, Figura 13) fijada a la manilla o a la parte superior de la carcasa del tornillo sinfín. Use la herramienta de limpieza para retirar la nieve de la caja de la barrena.



Herramienta de limpieza general

Figura 13

## CONSEJOS DE OPERACIÓN

1. So logra una operación más eficiente cuando se retira la nieve en seguida después de que ha caído.
2. Para lograr el retiro completo de nieve, traslape levemente cada camino que haya abierto previamente.
3. La nieve se debe descargar en la dirección del viento cada vez que sea posible.
4. Para uso normal, coloque las plataformas 1/8 de pulgada (3 mm) por debajo de la barra de raspado. Para superficies con nieve extremadamente compacta, se pueden ajustar los patines hacia arriba para garantizar la eficacia de la limpieza.
5. En superficies de grava o áridos machacados, se deben ajustar los patines a 32 mm (1-1/4 pulgada) debajo de la barra de la espátula (consulte **Ajuste de altura del patín** en la sección **Mantenimiento de este manual**). La máquina no debe recoger ni lanzar rocas ni grava.
6. Después de que se haya terminado el trabajo con la lanzadora de nieve, deje que el motor funcione en ralentí durante algunos minutos, para derretir la nieve y el hielo acumulados en el motor.
7. Limpie la lanzadora de nieve cuidadosamente después de cada uso.
8. Retire la acumulación de hielo y nieve, y todos los desechos de la lanzadora de nieve completa y enjuague con agua (si fuera posible) para retirar toda la sal u otros productos químicos. Seque la lanzadora de nieve con un paño.
9. Antes de arrancar la lanzadora de nieve, siempre inspeccione los tornillos sinfín y el impulsor para ver si hay acumulación de hielo o desechos, que pudiesen dañar la lanzadora de nieve.
10. Revise el nivel de aceite antes de cada arranque. Asegúrese de que el aceite de motor esté en la marca de LLENO en la tapa de llenado de aceite/varilla de nivel de aceite.

# MANTENIMIENTO

## TABLA DE MANTENIMIENTO

QUITANIEVES
<b>Después de cada utilización</b>
Quitar la nieve y el aguanieve del quitanieves para evitar que los controles se congelen
<b>Cada 8 horas o diariamente</b>
Llevar a cabo las pruebas de seguridad del quitanieves
<b>Cada 25 horas o anualmente *</b>
Verificar la presión de los neumáticos
Revisar el quitanieves para comprobar si tiene piezas sueltas
<b>Ponerse en contacto con el distribuidor anualmente para</b>
Lubricar las conexiones y las palancas de control
Lubricar la bisagra del deflector
Lubricar el motor del deflector (si tiene)
Lubricar el engranaje de rotación del conducto (si tiene)

MOTOR
<b>5 primeras horas</b>
Cambiar el aceite de motor
<b>Cada 8 horas o diariamente</b>
Comprobar el nivel de aceite del motor
<b>Cada 50 horas o anualmente *</b>
Cambiar el aceite de motor
Revisar el silenciador y la protección del silenciador.
<b>Ponerse en contacto con el distribuidor anualmente para</b>
Cambiar la bujía
Comprobar la separación de la válvula

\* No es necesario a menos que existan problemas con el rendimiento del motor.

## DECLARACIÓN SOBRE EL CONTROL DE EMISIONES

Cualquier establecimiento de reparación de motores que no esté en el camino o cualquier individuo pueden realizar el mantenimiento, reemplazo o reparación de los dispositivos y sistemas de control de emisiones. Sin embargo, para conseguir un servicio de control de emisiones "sin costo", un distribuidor autorizado de fábrica debe realizar el trabajo. Consulte la **Garantía de emisiones** en el Manual del motor.

## MANTENIMIENTO DEL MOTOR

**Revise el nivel de aceite del cárter:** antes de arrancar el motor y después de cada 8 horas de uso continuado. Agregue el aceite de motor recomendado, según sea necesario.

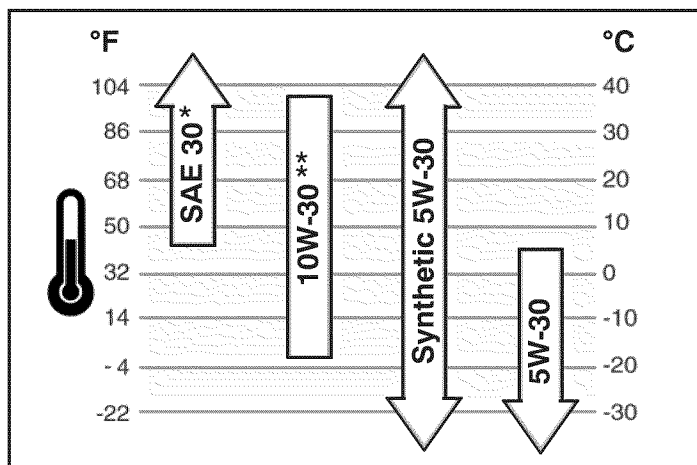
**NOTA: El llenado excesivo del motor puede afectar el rendimiento. Apriete bien la tapa de llenado de aceite para evitar filtraciones.**

**Cambie el aceite:** cada 50 horas de funcionamiento o al menos una vez al año, incluso si el quitanieves no se usa durante 50 horas. Use aceite detergente limpio de alta calidad. Llene el cárter hasta la línea LLENO (FULL) en la varilla de nivel de aceite (A, Figura 14). Asegúrese de que el recipiente original esté marcado: Servicio "SG" A.P.I. o superior. No use aceite SAE10W40 (debido que es posible que no proporcione la lubricación apropiada).

**Consulte la tabla para ver las recomendaciones de aceite.**

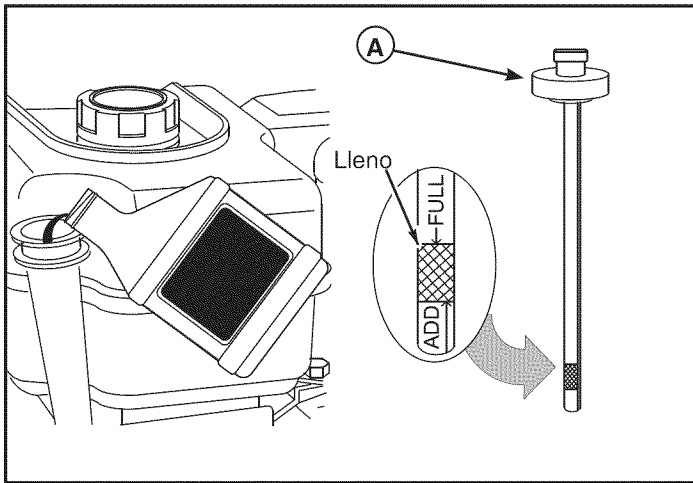
**Drene el aceite:** ponga el quitanieves de manera que el tapón de drenaje de aceite (A, Figura 15) quede en el punto más bajo del motor. Cuando el motor esté caliente, saque el tapón de drenaje de aceite y la tapa de llenado de aceite y drene el aceite en un recipiente apropiado.

Vuelva a poner el tapón de drenaje de aceite y apriételo firmemente. Vuelva a llenar el cárter con el aceite de motor recomendado.



\* Por debajo de 4 °C (40° F), el uso de SAE 30 se traducirá en un arranque difícil.

\*\* Por encima de 80°F (27°C), el uso de 10W-30 podrá ocasionar un aumento del consumo de aceite. Compruebe el nivel de aceite con frecuencia.



Revisión del nivel de aceite del cárter

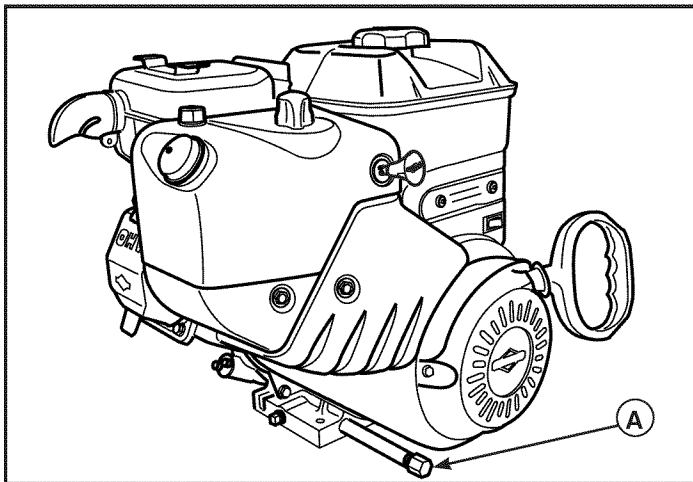
Figura 14

**Para ajustar las plataformas, haga lo siguiente:**

1. Coloque un bloque (con la altura desde el suelo deseada) bajo la barra de raspado, cerca pero no debajo de la plataforma.
2. Afloje las tuercas de montaje de la plataforma (**A**, Figura 16) y empuje la plataforma hacia abajo (**B**) hasta que toque el suelo. Vuelva a apretar las tuercas de montaje.
3. Ajuste el patín al otro lado a la misma altura.

**NOTA:** Asegúrese de que la lanzadora de nieve esté ajustada a la misma altura en ambos lados.

**! WARNING:** Asegúrese de mantener la separación apropiada desde el suelo para el área particular que va a despejar. Los objetos tales como grava, rocas u otros desechos, si se golpean con el impulsor, se pueden lanzar con suficiente fuerza para causar lesiones a personas, daños a la propiedad o daños a la lanzadora de nieve.



Tapón de drenaje de aceite

Figura 15

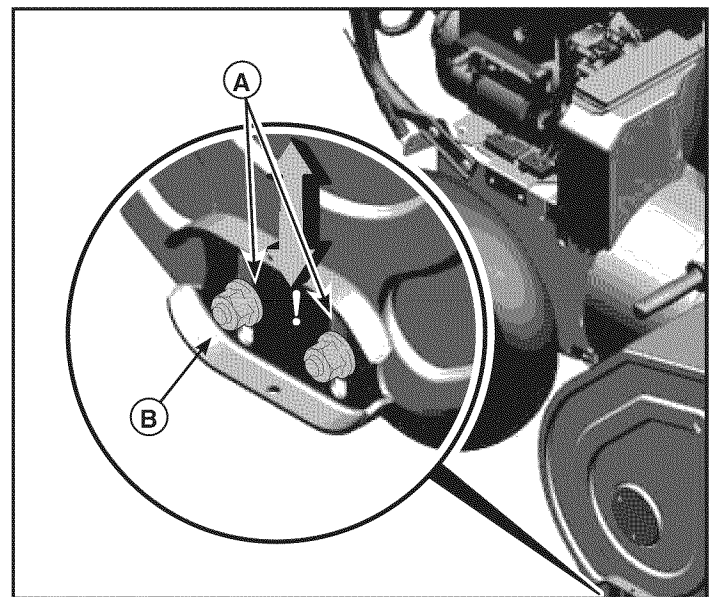
**AJUSTE LA ALTURA DE LA PLATAFORMA**

**! WARNING:** Siempre apague la unidad, saque la llave de encendido y desconecte el cable de la bujía antes de hacer las reparaciones o ajustes.

Esta lanzadora de nieve está equipada con dos plataformas de ajuste de altura, sujetas a la parte exterior de la caja de la barrena. Éstos elevan la parte delantera de la lanzadora de nieve.

Cuando saque la nieve desde un área de superficie dura tal como caminos o aceras pavimentadas, ajuste los patines hacia arriba para bajar la parte delantera de la lanzadora de nieve.

Cuando saque la nieve desde rocas o una construcción desnivelada, levante la parte delantera de la lanzadora de nieve moviendo los patines hacia abajo. Esto ayudará a evitar que las rocas y otros desechos sean recogidos y lanzados por los tornillos sinfín.



Ajuste de altura del patín

Figura 16

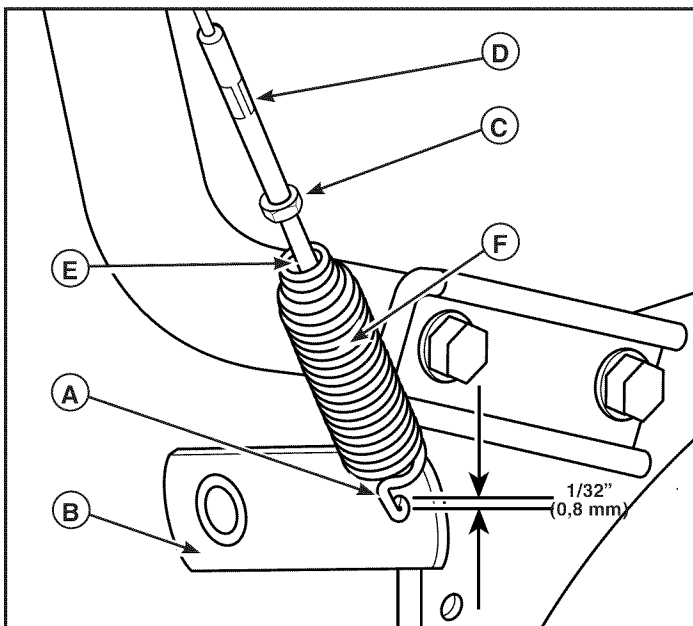


## AJUSTE AL CABLE DE IMPULSOR DEL TORNILLO SINFIN



**WARNING:** No apriete demasiado, debido a que esto puede levantar la palanca y hacer que la transmisión del tornillo sinfín se enganche sin presionar el control de transmisión del mismo.

1. Con la palanca de control de transmisión del tornillo sinfín desenganchada, el gancho (A, Figura 17) apenas debe tocar la palanca (B) sin levantarla. Puede haber un espacio libre máximo de 1/32" (0,8 mm).
2. Para ajustar, afloje la tuerca (C) sosteniendo las caras de ajuste (D) y girando la tuerca. Luego, gire las caras de ajuste y sostenga el tornillo de ajuste (E). El tornillo de ajuste es un tornillo phillips y se puede sujetar o girar la cabeza insertando un destornillador a través del resorte (F).
3. Sujete las caras de ajuste y apriete la tuerca.
4. Arranque el motor y revise el tornillo sinfín. El tornillo sinfín no debe estar enganchado a menos que se presione la palanca de control del tornillo sinfín.
5. Con el motor funcionando, presione completamente la palanca de control de transmisión del tornillo sinfín. Se debe enganchar el tornillo sinfín y hacer funcionar normalmente.



Ajuste del cable del control del tornillo sinfín

Figura 17



**WARNING:** El tornillo sinfín debe detenerse en 5 segundos. Si no es así, póngase en contacto con el servicio técnico de Sears.

6. Suelte la palanca de control del tornillo sinfín.
7. Si el tornillo sinfín no funciona correctamente, detenga el motor y vuelva a revisar el ajuste del cable de control del tornillo sinfín.
8. Si la conexión de transmisión está ajustada en forma apropiada, es posible que la tensión de la correa de transmisión del tornillo sinfín requiera ajustes. Consulte a un distribuidor autorizado.

## REVISIÓN DE LOS NEUMÁTICOS

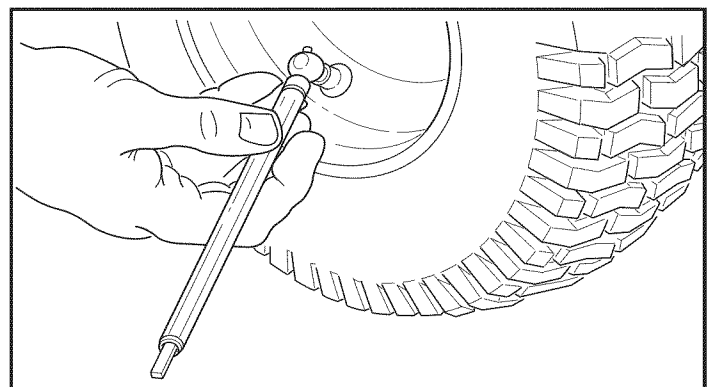
Revise si los neumáticos están dañados. Revise la presión del aire en los neumáticos con un manómetro de precisión (consulte la Figura 18).



**PRECAUCIÓN:** ¡Evite lesiones! Es posible que se produzca una separación explosiva de las piezas del neumático y del borde si las tareas de mantenimiento no se realizan de manera correcta.

- No intente montar un neumático sin contar con el equipo adecuado y si no tiene la experiencia necesaria para realizar la tarea.
- No infle los neumáticos por encima de la presión recomendada.
- No suelde ni caliente el conjunto de rueda y neumático. El calor puede aumentar la presión del aire provocando una explosión. La soldadura puede debilitar o deformar estructuralmente la rueda.
- No se pare frente ni sobre el conjunto del neumático cuando lo infle. Use la herramienta apropiada que le permita pararse a un costado.

**AVISO:** Verifique la presión máxima del neumático en la lateral del neumático. NO exceda el máximo.



Revisión de la presión de aire del neumático

Figura 18

## CAMBIO DE LOS PASADORES DE SEGURIDAD DEL TORNILLO SINFIN

Las barrenas están sujetas al eje de barrena con pernos de seguridad especiales diseñados para quebrarse si un objeto queda alojado en la caja de la barrena. El uso de un pasador de seguridad de más duro reducirá la protección proporcionada por el pasador de seguridad.



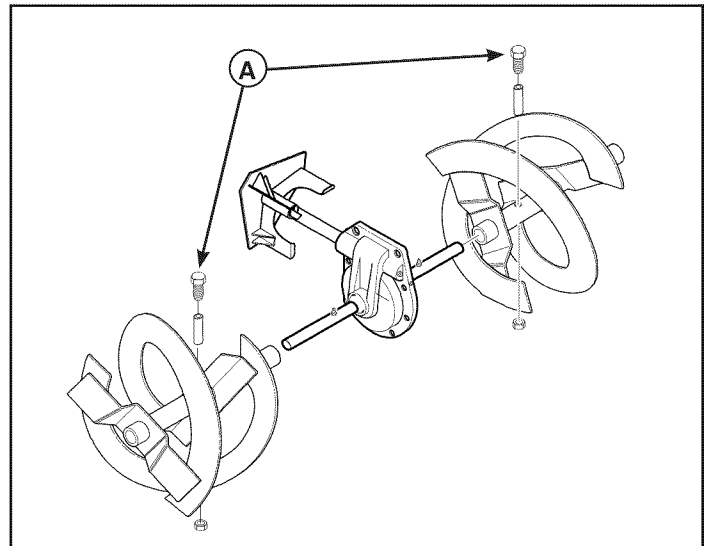
**WARNING: No se acerque a la tolva de descarga ni al tornillo sinfín cuando esté funcionando el motor. No haga funcionar el motor si se ha sacado alguna cubierta o protección.**

En la mayoría de las circunstancias, si la barrena golpea un objeto que podría dañar la unidad, el perno de seguridad se quebrará. Esto evita que se dañen la caja de cambios y otras piezas.

Los pasadores de seguridad (A, Figura 19) se encuentran en el eje del tornillo sinfín. Cambie el pasador de seguridad roto como sigue.

1. Retire el perno de seguridad quebrado, golpeándolo levemente con un punzón.
2. Instale un pasador de seguridad y un pasador de horquilla nuevos. Doble hacia abajo los extremos del pasador de horquilla.

**IMPORTANTE: No cambie los pasadores de seguridad por otros que no sean pasadores de seguridad de repuesto del grado correcto. El uso de pernos, tornillos o pasadores de seguridad de mayor grado pueden dañar el equipo.**



Cambio del pasador de seguridad roto

Figura 19

## ALMACENAMIENTO



**WARNING: Nunca guarde el motor, con combustible en el depósito, en interiores o en un lugar cerrado con mala ventilación donde los vapores del combustible pudiesen alcanzar alguna llama expuesta, chispa o luz piloto tal como la de hornos, calentadores de agua, secadoras de ropa, etc.**

**Manipule la gasolina con cuidado. Es altamente inflamable y su uso descuidado podría provocar daños graves por un incendio a su persona o a la propiedad.**

**Drene el combustible en el exterior en recipientes aprobados, lejos de llamas expuestas.**

Si se va a guardar el quitanieves durante treinta (30) días o más al final de la estación invernal, se recomiendan los siguientes pasos para prepararla para el almacenamiento.

**NOTA: Se debe retirar o tratar la gasolina para evitar que se formen depósitos de resina en el depósito, el filtro, la manguera y el carburador durante el almacenamiento.**

1. Saque la gasolina, haciendo funcionar el motor hasta que el depósito esté vacío y el motor se detenga. Si no desea retirar la gasolina, agregue estabilizador de combustible a toda gasolina que quede en el tanque para minimizar la formación de depósitos de goma y ácidos. Si el depósito de combustible está casi vacío, mezcle el estabilizador con gasolina nueva en un recipiente separado y agregue un poco de la mezcla al depósito. *Siga siempre las instrucciones sobre el recipiente del estabilizador. A continuación, ponga en funcionamiento el motor al menos 10 minutos después de que se añada el estabilizador para dejar que la mezcla llegue al carburador. Guarde el quitanieves en un lugar seguro.*
2. Usted puede mantener su motor (solo 4 ciclos) en buen estado de funcionamiento, cambiando el aceite antes de almacenarlo.
3. Lubrique el área del pistón/cilindro. Se puede hacer esto sacando primero la bujía y chorreando con aceite limpio de motor dentro del orificio de la bujía. Luego cubra el orificio de la bujía con un trapo para absorber el aceite rociado. Luego, gire el motor tirando del motor de arranque dos o tres veces. Finalmente, vuelva a instalar la bujía y fije el cable de la bujía.
4. Limpia la lanzadora de nieve a fondo.
5. Engrase todos los puntos de lubricación (póngase en contacto con el servicio de mantenimiento de Sears).

6. Asegúrese de que todas las tuercas, pernos y tornillos estén bien ajustados. Inspeccione todas las piezas móviles visibles para ver si hay daños, roturas y desgaste. Cámbielas, si fuera necesario.
7. Retoque todas las superficies de pintura oxidadas o astilladas; lije suavemente antes de pintar.
8. Cubra las piezas de metal sin protección del tornillo sinfín de la carcasa de la lanzadora de nieve y el impulsor con antioxidante.
9. Si fuera posible, almacene la lanzadora de nieve en interiores y cúbrala para protegerla del polvo y la suciedad.
10. En modelos con manillas plegables, suelte las perillas que fijan la manilla superior. Gire la manilla superior hacia atrás.
11. Si se debe guardar la máquina en el exterior, bloquee la lanzadora de nieve y asegúrese de que la máquina completa esté lejos del suelo. Cubra la lanzadora de nieve con una lona pesada.

## SACAR DEL ALMACENAMIENTO

1. Coloque la manija superior en la posición de funcionamiento, apriete las perillas que sujetan la manija superior.
2. Llene el depósito de combustible con combustible fresco.
3. Revise la bujía. Asegúrese de que el espacio esté correcto. Si la bujía está gastada o dañada, cámbiela antes de usar.
4. Cerciórese de que todos los sujetadores estén ajustados.
5. Asegúrese de que todos los protectores, pantallas y cubiertas estén en su lugar.
6. Asegúrese de que todos los ajustes estén correctos.

# RESOLUCIÓN DE PROBLEMAS

PROBLEMA	BUSQUE	SOLUCIÓN
<b>El tornillo sinfín no se detiene a los 5 minutos siguientes después de soltar la palanca de control derecha.</b>	El control Free-Hand™ está ACTIVO.	Suelte el control del tornillo sinfín y las palancas de los controles de tracción y Free-Hand™ para detener el tornillo sinfín.
	El control Free-Hand™ no funciona correctamente (fallo en la Prueba de seguridad 3).	Póngase en contacto con el servicio técnico de Sears.
	El cable del control del tornillo sinfín está desajustado (fallo en la Prueba de seguridad 1).	Ajuste el cable de control del tornillo sinfín. Consulte "Ajuste de cables" en la sección <b>Mantenimiento</b> de este manual. Asegúrese de que el tornillo sinfín pasa la Prueba de seguridad 1.
	La guía del cinturón del tornillo sinfín está fuera de sitio.	Póngase en contacto con el servicio técnico de Sears.
<b>El conducto de descarga o el deflector no funcionan (eléctrico).</b>	Fallo eléctrico.	Póngase en contacto con el servicio técnico de Sears.
<b>El conducto de descarga o el deflector no funcionan (remoto-manual).</b>	El conducto de descarga o el deflector están desajustados o es necesario lubricarlos.	Póngase en contacto con el servicio técnico de Sears.
<b>El motor falla al arrancar.</b>	La llave está en apagado.	Ponga la llave en posición ENCENDIDO.
	Error al cebar el motor en frío.	Presione el botón de cebado dos veces y arranque.
	La válvula de cierre de combustible se encuentra en la posición CERRADA (si tiene).	Gire la válvula hasta la posición ABIERTO.
	No hay combustible.	Llene el depósito de combustible.
	Cebador APAGADO - motor frío.	Encienda el cebador, ponga el acelerador en RÁPIDO.
	Motor ahogado.	Apague el cebador, vuelva a arrancar.
	No hay chispa.	Póngase en contacto con el servicio técnico de Sears.
	Agua en el combustible, o combustible viejo.	Drenar el depósito. (Tirar el combustible en un lugar de recogida de residuos peligrosos.) Llenar con combustible nuevo.
	Cable no enchufado o averiado (modelos con arranque eléctrico).	Enchufe el cable o cambie el cable defectuoso.
<b>E motor no arranca bien o no funciona bien.</b>	La mezcla de combustible es demasiado rica.	Mueva el cebador a posición APAGADO.
	La bujía es defectuosa, está dañada o mal colocada.	Póngase en contacto con el servicio técnico de Sears.
	La ventilación de la tapa del depósito está bloqueada.	Despeje la ventilación.
<b>Vibraciones excesivas.</b>	Piezas fojas o tornillo sinfín/impulsor dañado.	Detenga el motor inmediatamente. Póngase en contacto con el servicio técnico de Sears.

PROBLEMA	BUSQUE	SOLUCIÓN
El movimiento hacia atrás y hacia delante de la máquina quitadora de nieve no se detiene cuando se suelta la palanca de control de tracción.	El control de la tracción está desajustado (fallo en la Prueba de seguridad 2).	Póngase en contacto con el servicio técnico de Sears.
El lanzador de nieve se inclina hacia un lado.	La presión de los neumáticos no es igual.	Verificar la presión de los neumáticos.
	Una rueda está en modo sin tracción. (La clavija de bloqueo de tracción está en el agujero EXTERIOR). Modelos con bloqueos o clavijas en las ruedas.	Asegúrese de que la clavija de bloqueo de la tracción izquierda está en los agujeros INTERIORES (para acoplar la tracción).
La barra de rasqueta no limpia una superficie dura.	Las zapatas están mal ajustadas.	Ajuste las zapatas según sea necesario.
El quitanieves no se mueve a velocidades lentas.	El control de tracción no está bien ajustado.	Mueva la palanca de selección de velocidad a una velocidad superior. Si esto no funciona, póngase en contacto con su distribuidor autorizado.
El quitanieves no se mueve hacia adelante ni marcha atrás en ninguna velocidad.	Correa de transmisión floja o dañada.	Póngase en contacto con el servicio técnico de Sears.
	El control de tracción no está bien ajustado.	Póngase en contacto con el servicio técnico de Sears.
	Disco de fricción desgastado o dañado.	Póngase en contacto con el servicio técnico de Sears.
La unidad no descarga la nieve	El cable de control del tornillo sinfín no está ajustado correctamente.	Ajuste el cable de control del tornillo sinfín. Consulte "Ajuste de cables" en la sección <b>Mantenimiento</b> de este manual.
	Correa de transmisión de la barrena floja o dañada.	Póngase en contacto con el servicio técnico de Sears.
	Perno de seguridad quebrado.	Cambie el pasador de seguridad. Consulte "Cambio de los pasadores de seguridad del tornillo sinfín" en la sección <b>Mantenimiento</b> de este manual.
	El conducto de descarga se ha atascado con la nieve.	Detenga el motor inmediatamente. Utilice siempre la herramienta de limpieza general para limpiar el conducto de descarga atascado; no utilice nunca las manos. Limpie el conducto de descarga y el interior de la carcasa del tornillo sinfín. Consulte "Advertencias" en la sección <b>Seguridad del operador</b> .
	Objeto extraño alojado en la barrena.	Detenga el motor inmediatamente. Utilice siempre la herramienta de limpieza general para limpiar el conducto atascado; no utilice nunca las manos. Retire el objeto del tornillo sinfín. Consulte "Advertencias" en la sección <b>Seguridad del operador</b> .

# ESPECIFICACIONES

## MOTOR:

Marca	Briggs & Stratton
Modelo serie	Snow Series™
Fuerza de torsión bruta*	9.0 T.P. a 3060 rpm
Tipo	4 ciclos - OHV
Desplazamiento	12,5 cu in. (205 cc)
Sistema de arranque	Mediante cuerda, 110V eléctrico con cordón
Alternador	9 Amp Reg.
Capacidad de aceite	20 oz (0,59 litros)
Aceite para el motor	sintético 5W30
Volumen del depósito de combustible	3,2 qts (3,0 litros)
Abertura de la bujía	0,030 pulg. (0,76 mm)
Bujía, EMS "Q"	691043
Sistema de ignición	Este sistema de encendido de la bujía cumple con la norma canadiense ICES-002.

## TORNILLO SINFIN/IMPULSOR:

Ancho de separación	27 pulg. (68,6 cm)
Altura de entrada	19,5 pulg. (49,5 cm)
Diámetro de tornillo sinfín/impulsor	12 pulg. (30 cm)
Número de cuchillas del impulsor	3

## CONDUCTO:

Deflector del conducto	Remoto
Rotación del conducto	Electric 200SDgr

## SISTEMA DE TRANSMISIÓN:

Tipo de dirección	Disco de fricción - Pasador de sujeción de la tracción
Velocidades de propulsión	6 marchas hacia delante, 2 marchas hacia atrás
Tamaño del neumático	16 x 4,8 pulg. (41 x 12 cm)
Inflado del neumático	Consulte el lado del neumático para conocer el inflado máximo.

## Clasificación de la potencia del motor

La clasificación de potencia bruta para el modelo de motor de gasolina individual está etiquetada de acuerdo con el código J1940 (Small Engine Power & Torque Rating Procedure) de la SAE (Society of Automotive Engineers), y la clasificación de rendimiento ha sido obtenida y corregida de conformidad con SAE J1995 (Revisión 2002-05). Los valores de torsión se derivan a 3060 RPM. Los valores de los caballos de fuerza se derivan a 3600 RPM. Las curvas de potencia bruta se pueden ver en [www.BRIGGSandSTRATTON.COM](http://www.BRIGGSandSTRATTON.COM). Los valores de potencia neta se obtienen con el filtro de aire y la ventilación instalados mientras que los valores de la potencia bruta se reúnen sin estos accesorios instalados. La potencia bruta efectiva del motor será superior a la de la potencia del motor y se verá afectada por, entre otros elementos, las condiciones ambientales de funcionamiento y variabilidad entre motores. Dado el amplio conjunto de productos en que se colocan los motores, el motor de gasolina no desarrollará la potencia bruta clasificada cuando se utilice en un componente de equipamiento de motor determinado. Estas diferencias son debidas a una amplia variedad de factores, incluidos, sin exclusión de otros, diferentes componentes del motor (limpiadores de aire, tubos de escape, carga, refrigeración, carburador, bomba de combustible, etc.), limitaciones de aplicación, condiciones ambientales de funcionamiento (temperatura, humedad, altitud) y la variabilidad entre motores. Debido a las limitaciones de fabricación y capacidad, Briggs & Stratton podrá sustituir una mayor potencia clasificada para este motor de serie.

## Piezas y accesorios

Póngase en contacto con el servicio técnico de Sears si necesita más detalles.

# GARANTÍA

## GARANTÍA COMPLETA DE MANO DE OBRA DURANTE DOS AÑOS

DURANTE DOS AÑOS desde la fecha de compra, este producto tiene garantía ante cualquier defecto de material o mano de obra. Cualquier producto defectuoso será reparado de manera gratuita o será sustituido si no se puede reparar.

Para obtener más detalles sobre la cobertura de la garantía y sobre cómo obtener una reparación gratuita o un reemplazo, visite el sitio web. [www.craftsman.com](http://www.craftsman.com).

La garantía quedará nula en caso de que el producto se utilice para brindar un servicio con fines comerciales o en caso de que se la alquile a un tercero.

Esta garantía SOLAMENTE cubre defectos de material y fabricación. La cobertura de la garantía

NO incluye:

- Piezas sujetas a desgaste que puedan desgastarse como consecuencia del uso normal dentro del período de garantía, entre las que figura, entre otras: tornillos sinfín, paletas de tornillos sinfín, cortadores de desviación, zapatas, placa de corte, pasadores de seguridad, bujías, limpiadores de aire, correas y filtros de aceite.
  - Servicio de mantenimiento normal, cambios de aceite o puestas a punto.
  - Sustitución o reparación de neumáticos debido a pinchazos por objetos exteriores, como clavos, espinas, troncos cortados o cristales.
  - Sustitución o reparación de neumáticos o ruedas como consecuencia del desgaste, accidentes, o un mantenimiento o funcionamiento inadecuados.
  - Reparaciones necesarias debido al abuso del quitanieves por parte del operador, incluidos, entre otros, daños provocados por revolucionar en exceso el motor, o al impacto de objetos que doblan el armazón, el eje del tornillo sinfín, etc.
  - Las reparaciones que deban llevarse a cabo como consecuencia de la negligencia del operador, entre otros, el daño eléctrico y mecánico ocasionado por un almacenamiento inadecuado, el no uso de la cantidad y la calidad correcta de aceite para el motor, o el no mantenimiento del equipo de acuerdo con las instrucciones incluidas en el manual del usuario.
  - Reparaciones o limpiezas del motor (sistema de combustible) provocadas por combustible que se determine que está contaminado u oxidado (deteriorado). En general, se debe utilizar el combustible antes de que transcurran 30 días a partir de la fecha de compra.
  - Desgaste y deterioro normal de los acabados exteriores o sustitución de la etiqueta del producto.
- Esta Garantía le otorga derechos legales específicos, y Vd. puede ostentar otros derechos, que pueden variar de estado a estado.

Sears Brands Management Corporation, Hoffman Estates, IL 60179 EE. UU.

# CONTRATO DE PROTECCIÓN DE REPARACIÓN

*Felicitaciones por haber hecho una compra inteligente.* Los productos Craftsman® están diseñados y fabricados para tener muchos años de vida útil. Pero, como todo producto, es posible que haya que repararlo de vez en cuando. En esos casos es cuando firmar un Contrato de Protección de Reparación puede ahorrarle dinero y problemas.

**El Contrato de Protección de Reparación incluye lo siguiente:**

- ☑ **El servicio de expertos por parte de los 10.000 reparadores profesionales con los que contamos.**
- ☑ **Servicio ilimitado y repuestos y mano de obra sin cargo para todas las partes cubiertas.**
- ☑ **Reemplazo del producto de hasta US\$1500 en caso de que el producto no tenga arreglo.**
- ☑ **Descuento del 10 % en el precio normal del servicio y partes instaladas relacionadas que no cubra el acuerdo. 10% de descuento en el precio normal de las revisiones de mantenimiento preventivo.**
- ☑ **Ayuda al instante por teléfono:** lo llamamos "Solución rápida", ayuda telefónica de un representante de Sears. Es como si fuéramos un "Manual del usuario con audio".

Una vez que haya accedido al Contrato de protección de reparación, lo único que debe hacer para programar el servicio es realizar una llamada telefónica. Las líneas están disponibles las 24 horas, o puede programar una cita en línea.

El Contrato de Protección de Reparación es una compra libre de riesgo. Si, por cualquier motivo, cancela el Contrato durante el período de garantía, le devolveremos la totalidad del dinero. O un reembolso a prorrata en cualquier momento una vez finalizado el período de garantía. ¡Adquiera ya su Contrato de Protección de Reparación!

**Existen ciertas limitaciones y exclusiones. Para conocer los precios y obtener información adicional en los EE. UU., llame al 1-800-827-6655.**

**\*La cobertura en Canadá varía en algunos puntos. Para más detalles, póngase en contacto con Sears Canadá llamando al 1-800-361-6655.**

**Servicio de instalación de Sears**

*Para obtener la instalación profesional de artefactos domésticos, abrepuestas para garaje, calentadores de agua y otros dispositivos domésticos de Sears en los Estados Unidos o en Canadá, llame al 1-800-4-MY-HOME®.*







# Get it fixed, at your home or ours!

## Your Home

For troubleshooting, product manuals and expert advice:



[www.managemylife.com](http://www.managemylife.com)

For repair – **in your home** – of **all** major brand appliances, lawn and garden equipment, or heating and cooling systems, **no matter who made it, no matter who sold it!**

For the replacement parts, accessories and owner's manuals that you need to do-it-yourself.

For Sears professional installation of home appliances and items like garage door openers and water heaters.

**1-800-4-MY-HOME®** (1-800-469-4663)

Call anytime, day or night (U.S.A. and Canada)

[www.sears.com](http://www.sears.com)    [www.sears.ca](http://www.sears.ca)

## Our Home

For repair of carry-in items like vacuums, lawn equipment, and electronics, call anytime for the location of your nearest

**Sears Parts & Repair Service Center**

**1-800-488-1222** (U.S.A.)

[www.sears.com](http://www.sears.com)

**1-800-469-4663** (Canada)

[www.sears.ca](http://www.sears.ca)

To purchase a protection agreement on a product serviced by Sears:

**1-800-827-6655** (U.S.A.)

**1-800-361-6665** (Canada)

Para pedir servicio de reparación a domicilio, y para ordenar piezas:

**1-888-SU-HOGAR®**

(1-888-784-6427)

[www.sears.com](http://www.sears.com)

Au Canada pour service en français:

**1-800-LE-FOYER<sup>MC</sup>**

(1-800-533-6937)

[www.sears.ca](http://www.sears.ca)

The Sears logo, consisting of the word "sears" in a lowercase, sans-serif font.

© Registered Trademark / <sup>TM</sup> Trademark of KCD IP, LLC in the United States, or Sears Brands, LLC in other countries

© Marca Registrada / <sup>TM</sup> Marca de Fábrica de KCD IP, LLC en Estados Unidos, o Sears Brands, LLC in otros países

<sup>MC</sup> Marque de commerce / <sup>MD</sup> Marque déposée de Sears Brands, LLC

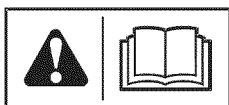
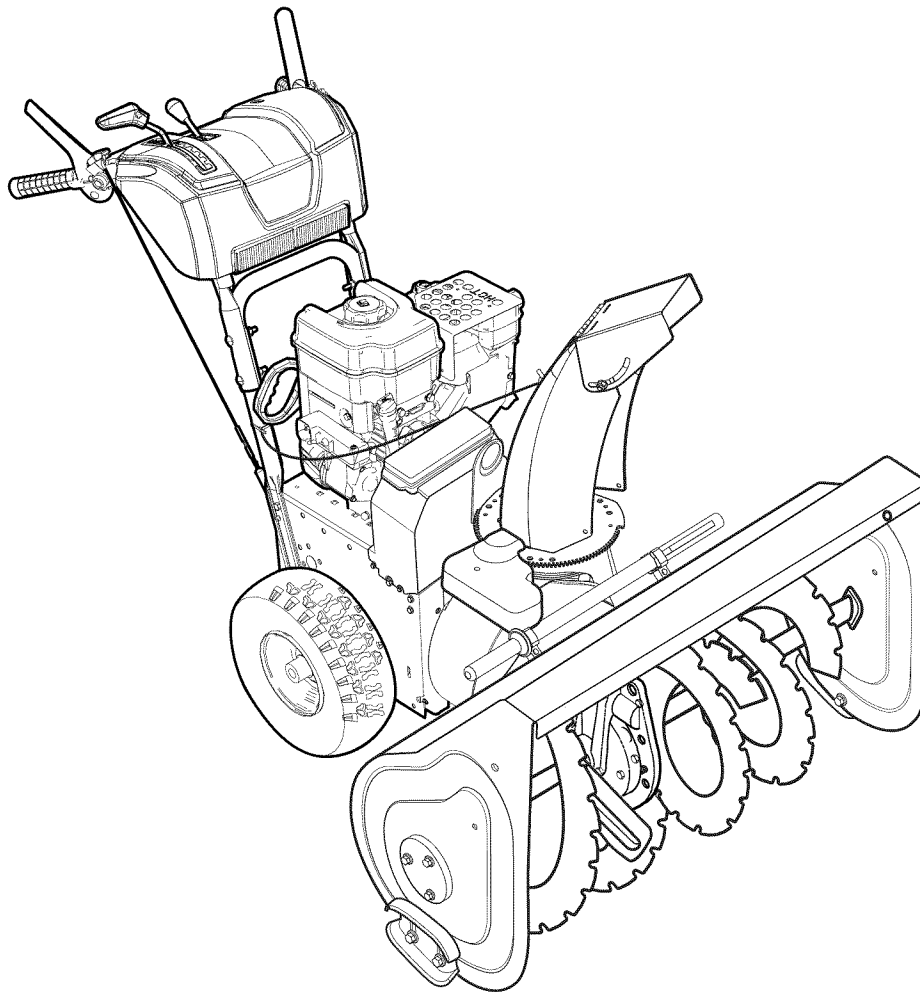
Manuel d'utilisation

**CRAFTSMAN®**

## Souffleuse à neige à deux temps

Modèle n°

536.886180 (Briggs & Stratton 9.0 TP, 69 cm (27 po) de largeur de déblayage)



Pour toute réponse à des questions sur ce produit, appeler l'assistance téléphonique Sears Craftsman au 1-800-659-5917.

Sears Brands Management Corporation, Hoffman Estates, IL 60179 États-Unis  
Visiter le site Web de Craftsman : [www.craftsman.com](http://www.craftsman.com)



# TABLE DES MATIÈRES

Carter avant .....	1
Sécurité de l'opérateur .....	4
Fonctions et commandes .....	10
Fonctionnement .....	12
Tests de sécurité de la souffleuse à neige .....	12
Entretien.....	19
Dépannage.....	24
Spécifications .....	26
Garantie.....	27
Contrat assurance-réparation .....	28
Pièces de rechange .....	PTS-1

## Généralités

**Nous vous remercions** d'avoir acheté cette souffleuse à neige CRAFTSMAN de qualité. Nous sommes heureux de la confiance que vous accordez à la marque CRAFTSMAN. S'il est utilisé et entretenu selon les instructions de ce manuel, votre produit CRAFTSMAN vous procurera de nombreuses années de service fiable.

**Ce manuel contient** des informations relatives à la sécurité afin que vous connaissiez les dangers et risques qui sont liés aux souffleuses à neige et la façon de les éviter. Cette souffleuse à neige est conçue à l'intention seulement pour souffler la neige et n'est pas pour autres intentions. Il est important que vous lisiez et compreniez ces instructions en profondeur avant de tenter de démarrer ou d'utiliser l'équipement. **Sauvegardez ces instructions pour votre référence.**

## Données de référence du produit

Quand vous contactez votre revendeur agréé pour des pièces détachées, une réparation ou des informations, vous DEVEZ être en possession de ces numéros.

## Souffleuse à neige

Numéro de modèle \_\_\_\_\_

Révision \_\_\_\_\_

Numéro de série \_\_\_\_\_

## Moteur

Numéro de modèle \_\_\_\_\_

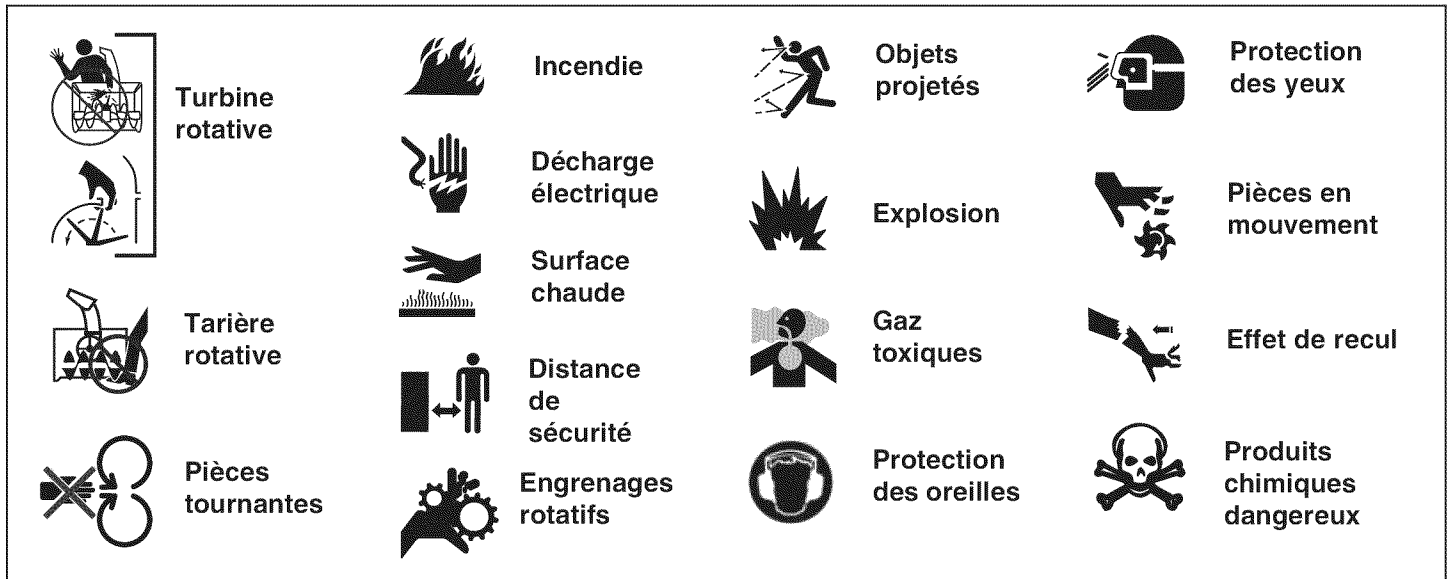
Révision : \_\_\_\_\_

Numéro de série \_\_\_\_\_

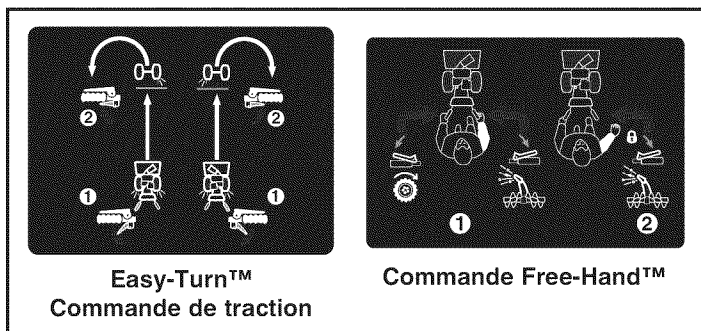
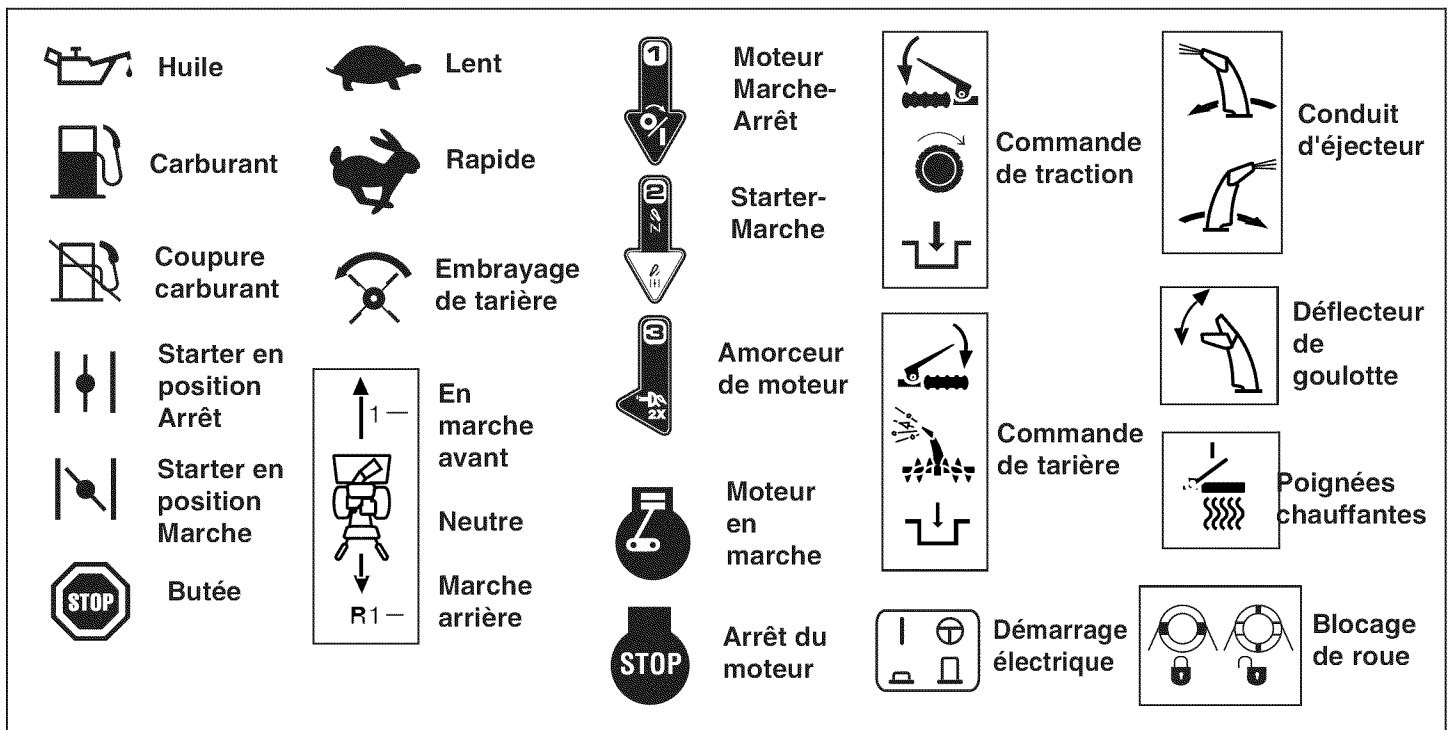
Date d'achat \_\_\_\_\_

# SÉCURITÉ DE L'OPÉRATEUR

## Symboles de risque et leur signification





## Symboles de contrôle sur l'équipement





REMARQUE : Les symboles de commande illustrés sur cette page n'apparaîtront pas tous sur votre souffleur à neige. Voir la section *Fonctions et commandes* pour les symboles qui s'appliquent.

## Symboles de sécurité et mots indicateurs

Le symbole d'alerte de sécurité  et mot de signalisation (DANGER, AVERTISSEMENT, MISE EN GARDE ou AVIS) sont utilisés pour indiquer la probabilité ou potentiel de la gravité de blessure corporelle et/ou dommage au produit. En outre, un symbole de danger peut être utilisé pour représenter le type de danger.

 **DANGER** indique un danger qui, si non évité, **résultera à la mort ou blessure grave.**

 **AVERTISSEMENT** indique un danger qui, si non évité, **peut résulter à la mort ou blessure grave.**

 **MISE EN GARDE** indique un danger qui, si non évité, **peut résulter à une blessure mineure.**

**REMARQUE** indique une situation qui **pourrait endommager l'équipement.**

### **AVERTISSEMENT**

Certains composants de cet équipement et de ses accessoires contiennent des produits chimiques reconnus dans l'état de Californie comme étant cause de cancer, d'anomalies congénitales ou d'autres effets néfastes sur la fonction de reproduction. Se laver les mains après manipulation. Se nettoyer les mains après la manipulation.

### **AVERTISSEMENT**

Les gaz d'échappement de ce moteur contiennent des substances chimiques pouvant causer des cancers, des malformations fœtales ou d'autres problèmes de fécondation.

### **DANGER**

- Le contact des mains avec la turbine rotative dans la goulotte d'éjection est la cause la plus courante de blessure associée aux souffleuses à neige.
- Cette souffleuse à neige est capable d'amputer les mains ou les pieds et de jeter des objets. Lire et observer toutes instructions de sécurité dans ce manuel. La faillite de le faire résultera à la mort ou blessure grave.

## Lecture du manuel



### **DANGER**

**Lire, comprendre et suivre toutes les instructions sur la souffleuse à neige dans le manuel de l'opérateur avant de faire fonctionner cette machine.**

**La faillite d'observer les instructions de sécurité dans ce manuel résultera à la mort ou blessure grave.**

- Soyez complètement familier avec les commandes et l'usage normal de la souffleuse à neige.
- S'assurer d'être bien entraîné avant de faire fonctionner la souffleuse à neige.
- Savoir arrêter la machine et débrayer rapidement les commandes.
- Ne jamais laisser une autre personne faire fonctionner la souffleuse à neige sans surveillance.
- Toujours suivre les instructions du manuel de l'utilisateur au cas où la souffleuse de neige aurait été remise pendant une période prolongée.
- Prendre soin des étiquettes de sécurité et d'instructions et les remplacer au besoin.
- Ne jamais tenter d'effectuer des réparations importantes sur la souffleuse à neige à moins d'avoir reçu une formation adéquate. L'entretien inadéquat de la souffleuse à neige peut résulter à un fonctionnement dangereux, dommage à l'équipement et l'invalidation de la garantie du produit.


## Conduit d'éjecteur



### **DANGER**

Le conduit d'éjection contient un impulseur rotatif pour éjecter la neige. Ne débouchez ou ne dégagez jamais le conduit d'éjection avec vos mains. Les doigts peuvent facilement être pris dans l'impulseur. Utilisez toujours un outil de nettoyage. La faillite d'observer ces instructions de sécurité résultera à une amputation traumatique ou dilacération grave.



#### **POUR DÉBLOQUER EN TOUTE SÉCURITÉ UNE GOULOTTE D'ÉJECTION BOUCHÉE**

 **DANGER** Le contact des mains avec l'impulseur rotatif dans le conduit d'éjection est la cause la plus commune des blessures associés avec des souffleuses à neige. N'utilisez jamais vos mains pour curer la goulotte d'éjection.




#### **SUIVEZ CES INSTRUCTIONS:**

1. Arrêter le moteur.
2. Attendez 10 secondes pour vous assurer que les lames de la turbine se soient arrêtées de tourner.
3. Utilisez toujours un outil de nettoyage et pas vos mains.

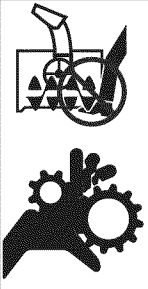
## Sécurité de l'équipement et de son fonctionnement

	 <b>DANGER</b>
<p>Cette souffleuse à neige est aussi sûre que son utilisateur puisse l'être. Si mal utilisé ou mal entretenu, ceci peut être dangereux. Souvenez-vous que vous êtes responsable pour votre sécurité et de ceux près de vous.</p>	
<ul style="list-style-type: none"><li>• Garder toutes les personnes, en particulier les enfants et les animaux de compagnie, à distance.</li><li>• Inspecter complètement l'endroit où la souffleuse à neige sera utilisée et enlever tous tapis d'accueils, les luges, les planches à neige, les cordons d'alimentation et autres corps étrangers.</li><li>• Ne pas faire fonctionner la souffleuse à neige sans porter des vêtements de neige convenables.</li><li>• Le port de chaussures améliorera la stabilité sur des surfaces glissantes.</li><li>• Utiliser des précautions pour éviter de glisser ou de tomber particulièrement lors du fonctionnement de la souffleuse à neige en marche arrière.</li><li>• Ne jamais utiliser la machine si la visibilité est mauvaise ou si la lumière est insuffisante. Toujours garder un bon équilibre et tenir fermement les poignées.</li><li>• Ne pas déblayer la neige de la surface des pentes. Utiliser une précaution extrême lors du changement de direction sur les pentes. Ne pas tenter de déblayer des pentes raides.</li><li>• Ne pas surcharger la capacité de la machine en essayant de déblayer la neige trop vite.</li><li>• Ne jamais déplacer rapidement la souffleuse à neige sur des surfaces glissantes. Regarder derrière la souffleuse à neige et faites preuve de prudence lors des marches arrière.</li><li>• Ne pas utiliser la souffleuse à neige sur des surfaces audessus du sol comme les toits des résidences, les garages, les vérandas ou toutes autres structures ou édifices.</li><li>• Les opérateurs doivent évaluer leur habilité de faire fonctionner la souffleuse à neige en toute sécurité suffisamment pour protéger eux-mêmes et les autres de blessures.</li><li>• La souffleuse à neige est conçue pour enlever la neige seulement. N'utilisez pas la souffleuse à neige pour toute autre raison.</li><li>• Ne pas transporter de passagers.</li><li>• Après avoir frappé un corps étranger, arrêter le moteur, déconnecter le cordon des moteurs électriques, inspecter complètement la souffleuse à neige pour aucun dommage, et réparer le dommage avant de recommencer et de faire fonctionner la souffleuse à neige.</li><li>• Si la souffleuse à neige secousse d'une manière anormale, arrêter le moteur. Toute vibration est généralement un avertissement de problème. Consulter un concessionnaire agréé si nécessaire pour des réparations.</li><li>• Pour des modèles munis avec des moteurs de démarrage électrique, débrancher le cordon d'alimentation après que le moteur est mis en marche.</li></ul>	


## Manipulation de carburant

 <b>DANGER</b>	 
<p>Le carburant et ses vapeurs sont extrêmement inflammables et explosifs. Toujours manipuler l'essence avec la plus grande des précautions. La faillite d'observer ces instructions de sécurité peut causer un feu ou explosion qui résultera à des brûlures graves ou la mort.</p>	
<b>LORS DE L'ADDITION DU CARBURANT</b> <ul style="list-style-type: none"><li>• Arrêter le moteur et laisser refroidir pour au moins 2 minutes avant d'enlever le bouchon de réservoir pour ajouter le carburant.</li><li>• Remplir le réservoir de carburant dehors ou dans un endroit bien ventilé.</li><li>• Ne pas remplir trop le réservoir de carburant. Pour permettre l'expansion de l'essence, ne pas remplir au-dessus le bas du cou du réservoir de carburant.</li><li>• Maintenez le carburant éloigné d'étincelles, de flammes nues, de veilleuses, de la chaleur ou d'autres sources d'allumage.</li><li>• Vérifier souvent les lignes de carburant, le bouchon et les accessoires pour fissures et fuites. Remplacer si nécessaire.</li><li>• Utiliser un réservoir de carburant approuvé.</li><li>• Si du carburant se répand, attendre jusqu'à ce qu'il s'évapore avant de démarrer le moteur.</li></ul>	
<b>MISE EN MARCHÉ DU MOTEUR</b> <ul style="list-style-type: none"><li>• S'assurer que la bougie, le pot d'échappement, le bouchon de réservoir de carburant et le filtre à air (si l'unité en est équipée) sont en place et attachés.</li><li>• Lorsque la bougie d'allumage est enlevée, ne pas mettre en marche le moteur.</li><li>• Si du carburant se répand, ne pas tenter de démarrer le moteur, mais éloigner la souffleuse à neige de la zone du déversement et éviter de créer toute source d'inflammation jusqu'à ce que les vapeurs de carburant se soient dissipées.</li><li>• Ne pas amorcer trop le moteur. Suivre les instructions dans ce manuel pour mettre le moteur en marche.</li><li>• Si le moteur est noyé, régler le volet de départ (si équipé) à la position OUVERT / MARCHÉ, démanéger l'accélérateur (si équipé) à la position VITE et mettre en marche le moteur.</li></ul>	
<b>LORS DU FONCTIONNEMENT D'ÉQUIPEMENT</b> <ul style="list-style-type: none"><li>• Ne pas faire basculer la souffleuse à neige au-delà d'un angle qui provoquerait le renversement du carburant.</li><li>• Ne pas étrangler le carburateur pour arrêter le moteur.</li><li>• Ne jamais faire fonctionner le moteur si l'épurateur d'air (si équipé) ou le filtre à air est enlevé.</li></ul>	
<b>LORS DU CHANGEMENT D'HUILE</b> <ul style="list-style-type: none"><li>• Si la vidange de l'huile est faite depuis la partie supérieure du tube de remplissage d'huile, le réservoir de carburant doit être vide, sinon une fuite de carburant peut être cause d'incendie ou d'explosion.</li></ul>	
<b>LORS DE LA TRANSPORTATION D'ÉQUIPEMENT</b> <ul style="list-style-type: none"><li>• Transporter lorsque le réservoir est VIDE, ou lorsque la soupape d'arrêt est fermée.</li></ul>	
<b>LORS DE L'ENTREPOSAGE D'ESSENCE OU D'ÉQUIPEMENT AVEC LE CARBURANT DANS LE RÉSERVOIR</b> <ul style="list-style-type: none"><li>• Entreposer loin des fournaies, des poêles, des chauffe-eaux ou autres appareils qui ont une flamme d'allumage ou autre source d'allumage qui peut allumer les vapeurs de carburant.</li></ul>	


## Pièces en mouvement

	<p style="text-align: center;"><b>! DANGER</b></p> <p><b>Garder les mains, les pieds et les vêtements loin des pièces rotatives. Les pièces rotatives peuvent contacter ou enchevêtrer les mains, les pieds, les cheveux, les vêtements ou accessoires.</b></p> <p><b>La faillite d'observer ces instructions de sécurité résultera à une amputation traumatique ou dilacération grave.</b></p>
<ul style="list-style-type: none"> <li>• Toutes les fois que vous nettoyez, réparez ou inspectez la souffleuse à neige, assurez-vous que le moteur soit ARRÊTÉ, que le câble de la bougie soit débranché et que toutes les pièces en mouvement soit arrêtées.</li> <li>• Ne pas mettre les mains ou les pieds à proximité ou sous les pièces rotatives. Toujours se tenir à l'écart de l'ouverture d'éjection.</li> <li>• Ne pas faire fonctionner la souffleuse à neige sans de protection approuvés et autres dispositifs de sécurité en place lors du fonctionnement.</li> <li>• Ne jamais laisser votre souffleuse à neige sans surveillance lorsque le moteur est en marche. Toujours débrayer les commandes de tarière et de traction, arrêter le moteur et retirer les clés.</li> <li>• Maintenir vos vêtements à l'écart du devant de la souffleuse à neige et de la tarière. Les foulards, les mitaines, les cordons pendantes, les vêtements lâches et pantalons peuvent rapidement être prises dans le dispositif rotatif et une amputation se produira. Attacher les cheveux longs et enlever les bijoux.</li> <li>• Faire tourner la machine quelques minutes après avoir déblayé la neige pour empêcher le collecteur ou la turbine de geler.</li> <li>• Débrayer la commande de l'ensemble de la tarière et de la turbine pour transporter la souffleuse à neige et lorsqu'elle n'est pas utilisée.</li> </ul>	

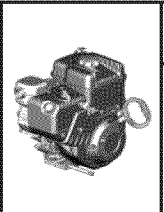
## Objets projetés

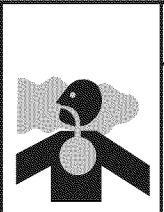
	<p style="text-align: center;"><b>! DANGER</b></p> <p><b>Les objets peuvent être ramassés par la tarière et projetés du conduit. Ne jamais jeter la neige vers les spectateurs et ne permettre à personne de se placer devant la souffleuse à neige. La faillite d'observer ces instructions de sécurité dans ce manuel résultera à la mort ou blessure grave.</b></p>
<ul style="list-style-type: none"> <li>• Portez toujours des lunettes de sécurité ou un masque de protection pendant l'utilisation et lors de réglages ou de réparations.</li> <li>• Être toujours attentif de la direction d'où la neige est éjectée. Les piétons tous près, les animaux domestiques ou les propriétés peuvent être endommagés par la projection des objets.</li> <li>• Être attentif de votre environnement pendant le fonctionnement de la souffleuse à neige. Ne passez pas par-dessus des éléments tels que du gravier, des tapis, des journaux, des jouets ou des roches cachées sous la neige, dans la mesure où ils peuvent être tous rejetés par la goulotte ou se bloquer dans la tarière.</li> <li>• Être très prudent lors du fonctionnement sur ou traversant les voies d'accès, les trottoirs ou les routes de gravel.</li> <li>• Régler la hauteur du carter de la tarière pour éviter tout contact avec les surfaces en gravier ou en pierre concassée.</li> <li>• Ne jamais utiliser la souffleuse à neige à proximité de vitres, de voitures, d'encadrements de soupirail, de stationnements ou autres sans réglage adéquat de l'angle du conduit d'éjection.</li> <li>• Familiarisez-vous avec l'endroit d'où vous planifiez de faire fonctionner la souffleuse à neige. Marquer les bornes des voies d'accès et des trottoirs.</li> </ul>	

## Enfants


	<p style="text-align: center;"><b>! DANGER</b></p> <p><b>Des accidents tragiques peuvent se produire lorsque l'opérateur n'est pas averti de la présence d'enfants. Les enfants sont souvent attirés par la machine et le soufflage de neige. Ne jamais supposer que les enfants resteront là où ils ont été vus pour la dernière fois.</b></p>
<ul style="list-style-type: none"> <li>• Garder les enfants éloignés de la zone pendant l'utilisation. Les enfants sont souvent attirés par l'équipement. Être attentif aux personnes présentes.</li> <li>• Faire preuve de vigilance et arrêter la machine si des enfants pénètrent dans la zone.</li> <li>• Ne jamais laisser les enfants se servir de la machine.</li> <li>• Faire preuve de prudence à l'approche d'angles morts, d'arbustes, d'arbres et d'autres objets susceptibles de masquer la vision. Les enfants peuvent être présents.</li> </ul>	

## Sécurité du moteur

	<p style="text-align: center;"><b>! DANGER</b></p> <p><b>Le fonctionnement sans danger de la souffleuse à neige demande un soin et entretien vigilant. La faillite d'observer les instructions de sécurité dans ce manuel résultera à la mort ou blessure grave.</b></p>
<ul style="list-style-type: none"> <li>• Débrayer toutes les manettes et passer au point mort avant de démarrer le moteur.</li> <li>• Laissez le moteur s'ajuster à la température extérieure avant de commencer de déblayer la neige.</li> <li>• Utiliser une fiche trifilaire mis à la terre pour toutes souffleuses à neige muni d'un moteur d'entraînement électrique ou d'un moteur de démarrage électrique.</li> </ul>	

	<p style="text-align: center;"><b>! DANGER</b></p> <p><b>Les moteurs émettent du monoxyde de carbone, un gaz toxique sans odeur ni couleur. Respirer du monoxyde de carbone peut provoquer des nausées, des évanouissements, voire même la mort.</b></p>
<ul style="list-style-type: none"> <li>• Démarrer le moteur et le faire fonctionner à l'extérieur.</li> <li>• Ne faites pas fonctionner le moteur dans un endroit enfermé, même si les portes ou les fenêtres sont ouvertes.</li> </ul>	

## Sécurité du moteur (suite)

 	 <b>AVERTISSEMENT</b>
	<p>La mise en marche du moteur crée une gerbe d'étincelles.</p> <p>L'étincelle peut mettre le feu au gaz inflammable tout près.</p> <p>Explosion et feu peu en résulter.</p>
<ul style="list-style-type: none"> <li>• Si il y a une fuite de pétrole liquéfié PL dans l'endroit où vous êtes, n'essayez pas de mettre le moteur en marche.</li> <li>• N'utilisez pas des fluides sous pression à cause des vapeurs sont inflammables.</li> </ul>	

  	 <b>AVERTISSEMENT</b>
	<p>Le mis en marche du moteur produit de la chaleur. Les pièce du moteur, en particulier le silencieux, devient extrêmement chaud.</p> <p>La faillite d'observer ces instruction de sécurité peut résulter à des brûlures thermiques graves au contact.</p>
<ul style="list-style-type: none"> <li>• Ne jamais toucher un moteur ou un silencieux chaud. Laisser le silencieux, le cylindre de moteur et les ailettes refroidir avant de toucher.</li> <li>• Enlever tous débris de la section du silencieux et de la section du cylindre.</li> <li>• Installer et entretenir en bon état le pare-étincelles avant d'utiliser l'équipement sur une terre brute de couverture de forêt, de gazon ou de brousse.</li> <li>• L'utilisation ou le fonctionnement du moteur sur des terrains forestiers, broussailleux ou herbeux constituent une violation de la Section 4442 du Code des ressources publiques de Californie, à moins que le système d'échappement ne soit équipé d'un pare-étincelles, comme le définit la Section 4442, maintenu en bon état de marche. D'autres états ou juridictions fédérales peuvent avoir des lois similaires. Contactez le fabricant, détaillant ou revendeur d'origine de la machine pour obtenir un pare-étincelles conçu pour le système d'échappement installé sur ce moteur.</li> </ul>	

## Entretien et remisage

	 <b>AVERTISSEMENT</b>
	<p>Cette souffleuse à neige doit être proprement entretenue pour assurer un fonctionnement et une performance en toute sécurité. La faillite d'observer les instructions de sécurité dans ce manuel peut résulter à la mort ou une blessure grave.</p>
<ul style="list-style-type: none"> <li>• Lors de tout entretien ou réparation sur la souffleuse à neige, arrêtez le moteur, débranchez le fil de bougie et gardez-le éloigné de la bougie pour empêcher quiconque de démarrer accidentellement le moteur.</li> <li>• Vérifier le bon serrage des boulons d'obtuteur et autres quincailleries à des intervalles réguliers afin d'assurer le bon état de fonctionnement de la souffleuse à neige.</li> <li>• Conserver les écrous et boulons bien serrés et la souffleuse à neige en bon état de marche.</li> <li>• Ne jamais altérer les dispositifs de sécurité. Vérifier régulièrement leur bon fonctionnement et réparer le cas échéant.</li> <li>• Les composantes sont soumises à l'usure, aux dommages et à la détérioration. Vérifier fréquemment les composants et remplacer les pièces recommandés au besoin.</li> <li>• Vérifier fréquemment le fonctionnement des commandes. Ajuster et réparer le cas échéant.</li> <li>• Lors de réparations, utiliser uniquement des pièces de rechange d'origine homologuées ou identiques.</li> <li>• Toujours se conformer aux spécifications d'usine sur tous les paramètres et réglages.</li> <li>• Seuls les centres de service homologués doivent être utilisés pour effectuer les entretiens et réparations importants.</li> <li>• Utilisez seulement des accessoires approuvés par le fabricant (telles que les masses pour roues et les masses d'équilibrage).</li> <li>• Ne jamais essayer de faire des ajustements pendant que le moteur est en marche ( à l'exception de la recommandation spécifique du fabricant).</li> </ul>	

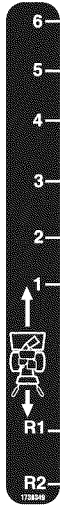


Ce symbole indique des consignes de sécurité importantes. Ce symbole indique : « Attention ! Faites attention ! Votre sécurité est en jeu. »



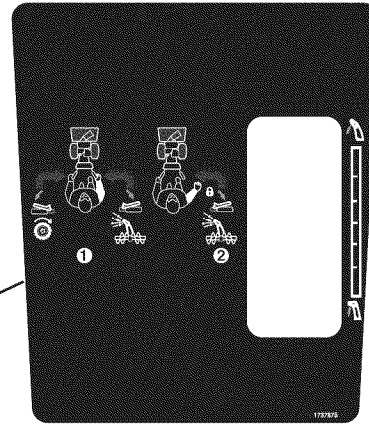
**AVERTISSEMENT :** Si n'importe quelle décalcomanie de sécurité devient usée ou endommagée et ne peut être lu, commandez des décalcomanies de remplacement de votre concessionnaire agréé.

Avant de mettre en marche votre souffleuse à neige, lisez les décalcomanies de sécurité sur votre souffleuse à neige. Les précautions et les avertissements sont pour votre sécurité. Pour éviter tout dommage corporel ou dégât de votre souffleuse à neige, lisez attentivement les décalcomanies de sécurité et suivez les instructions.



Pièce N° 1738349 Étiquette autocollante de grille de vitesse

Pièce No. 1753134 Décal. de la commande de traction



Pièce No. 1737875 Décal. tableau de bord



Pièce N° 1753133 Étiquette autocollante de commande de tarière

<b>WARNING</b>	<b>AVERTISSEMENT</b>
Read and follow Operating Instructions before running engine.	Lire et suivre le mode d'emploi avant de faire tourner le moteur.
Gasoline is flammable. Allow engine to cool at least 2 minutes before refueling.	L'essence est inflammable. Laisser refroidir le moteur pendant au moins 2 minutes avant de faire le plein.
Engines emit carbon monoxide. DO NOT run in enclosed areas.	Les moteurs émettent du monoxyde de carbone. NE PAS faire tourner le moteur dans des espaces clos.
Muffler area temperature may exceed 150°F. Do not touch hot parts.	Autour du silencieux, la température peut dépasser 150°F. Ne pas toucher des pièces chaudes.

Pièce No. 278297 Étiquette autocollante de moteur

<b>⚠ DANGER</b>
<b>Amputation hazard</b>
Contact with moving parts inside chute will cause serious injury.
• Shut off engine before unclogging discharge chute.
• Use clean-out tool, not hands!
<b>Risque d'amputation</b>
Tout contact avec des pièces en mouvement à l'intérieur de la goulotte provoquera de graves blessures.
• Arrêter le moteur avant de dégager la goulotte d'éjection.
• Utiliser l'outil de dégagement, pas les mains!

Pièce No. 1737865 Décal. danger du conduit

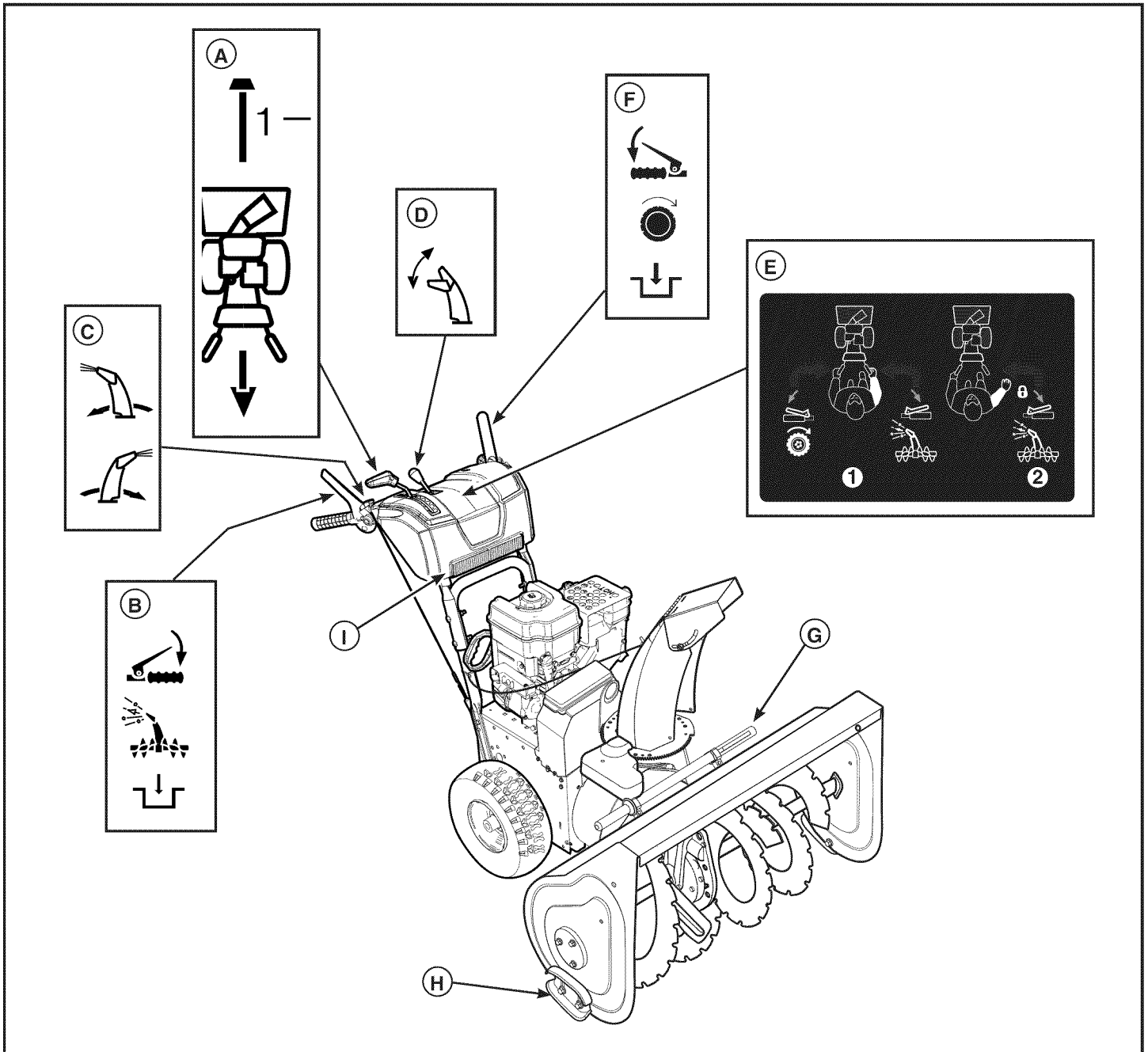
<b>⚠ DANGER</b>	
<b>Amputation Hazard</b>	<b>Risque d'amputation</b>
• Contact with auger will cause serious injury.	• Tout contact avec la tarière provoquera de graves blessures.
• Keep hands, feet and clothing away.	• Tenir vos pieds, vos mains et vêtements à distance.
• Keep bystanders away.	• Tenir les spectateurs à distance.
<b>Thrown Objects Hazard</b>	<b>Danger objets projetés</b>
• Never direct discharge chute towards persons or property.	• Ne jamais diriger la chute en direction des personnes ou biens matériels.
<b>Read the operator's manual for operating and safety instructions.</b>	<b>Lire/les consignes de sécurité et d'utilisation dans le manuel d'utilisation.</b>
<b>Shut off engine and remove key before performing maintenance or repair work.</b>	<b>Arrêter le moteur et retirer la clé avant d'effectuer tout entretien ou toute réparation.</b>

Réf. 1737866 Étiquette Danger Tarière

Autocollants de sécurité

Figure 1

# FONCTIONS ET COMMANDES



Commandes de souffleuse à neige

Figure 2

## COMMANDES DE LA SOUFFLEUSE À NEIGE

**A. Levier de sélection de vitesse** — Permet à l'utilisateur d'utiliser une des six (6) vitesses en marche avant et une des deux (2) vitesses en marche arrière (voir Figure 2). Pour changer de vitesse, déplacer le levier à une position désirée.

**AVIS: Ne pas déplacer le levier de sélection de vitesse pendant que la commande de traction est embrayée. Ceci peut résulter à un dommage grave au système d'entraînement.**

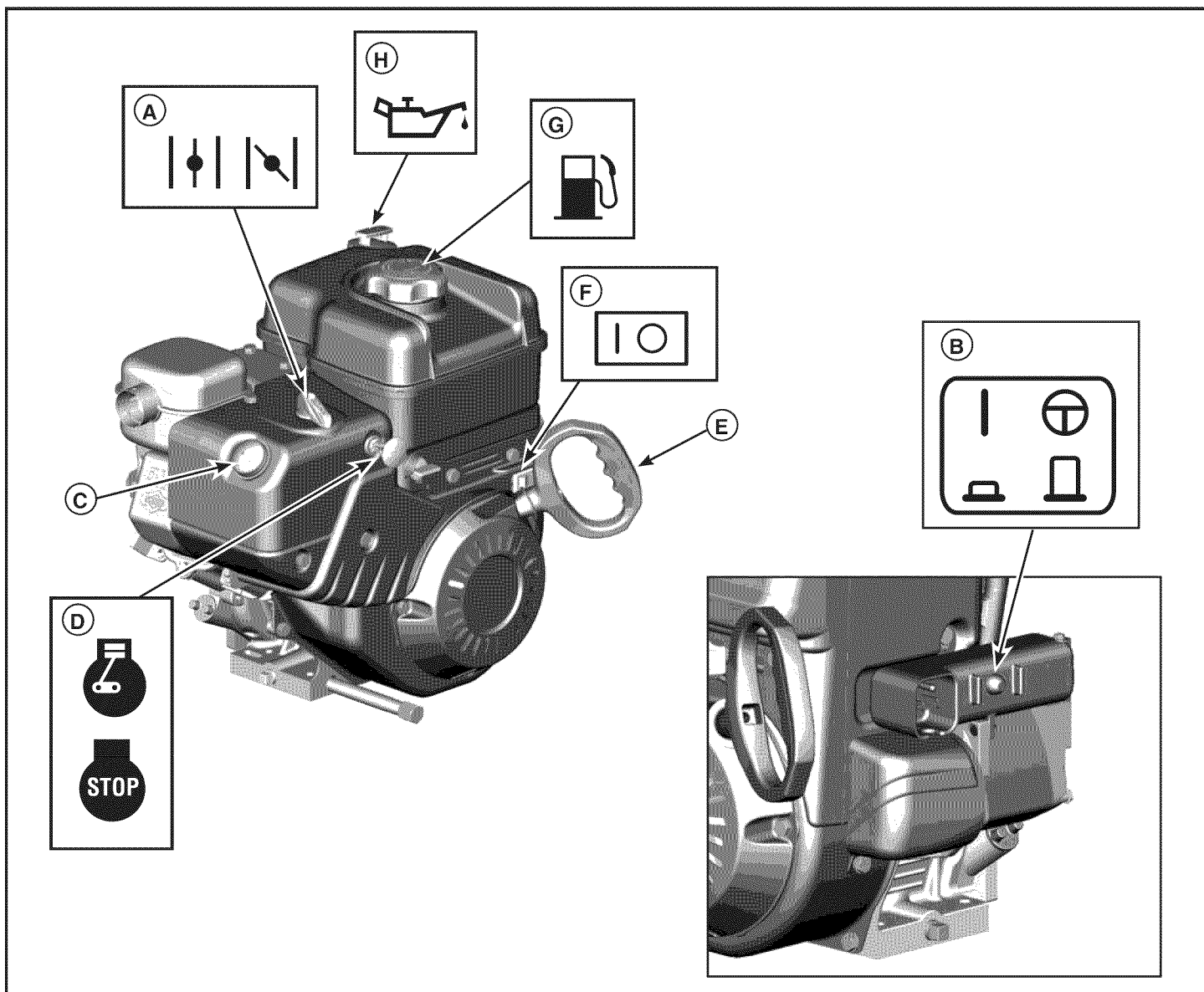
**B. Levier de commande de tarière** — Utilisé pour embrayer et débrayer la tarière et la turbine. Pour embrayer, appuyez, pour débrayer, relâchez.

**C. Commutateur de rotation de goulotte** — Utilisé pour faire pivoter la goulotte d'éjection vers la gauche ou la droite.

**D. Levier de commande de déflecteur** — Utilisé pour contrôler l'angle du déflecteur de goulotte (en haut ou en bas).

**E. Commande Free Hand™** — Une fois que la commande de traction (à gauche) et que la commande de tarière sont embrayées, permet à l'utilisateur de relâcher le levier de commande de tarière pour utiliser d'autres commandes.

**F. Levier de commande de traction** — Utilisé pour propulser la souffleuse à neige en marche avant ou arrière. Appuyer pour embrayer, relâcher pour débrayer.



Commandes de moteur

Figure 3

#### COMMANDES DE SOUFFLEUSE À NEIGE (suite)

- G. Outil de nettoyage** — Utilisé pour retirer la neige et les débris de la goulotte d'éjection et du carter de tarière.
- H. Patin** — Utilisé pour régler le dégagement au sol du carter de tarière.
- I. Phare** — Utilisé pour faire fonctionner la souffleuse à neige dans des conditions d'éclairage médiocre.

#### COMMANDES DU MOTEUR

- A. Bouton de commande de starter** — Utilisé pour démarrer le moteur à froid (voir Figure 3).
- B. Bouton de démarrage électrique** — Utilisé pour démarrer le moteur à l'aide du démarreur électrique.
- C. Bouton d'amorceur** — Utilisé pour injecter directement le carburant dans le manifold du carburateur et assurer des démarrages rapides par temps froid.

- D. Clé de sécurité** — Doit être insérée pour démarrer le moteur. Retirez pour arrêter. Ne tournez pas la clé de sécurité.
- E. Poignée de corde du démarreur** — Utilisée pour le démarrage manuel du moteur.
- F. Bouton MARCHÉ/ARRÊT** — Utilisé pour démarrer et arrêter le moteur.
- G. Réservoir de carburant et bouchon** Remplir le réservoir de carburant jusqu'à environ 38 mm (1-1/2 po) en-dessous de la partie supérieure du col pour faciliter l'expansion du carburant.
- H. Bouchon d'huile de remplissage (jauge d'huile allongé)**

# FUNCTIONNEMENT

## AVANT DE METTRE EN MARCHÉ LA SOUFFLEUSE À NEIGE

- Vérifier les attaches. Assurez-vous que les pièces de fixation sont serrées.
- Sur les modèles à démarrage électrique, la machine a été expédiée avec le fil du démarreur enfilé dans le moteur. Avant de la faire fonctionner, débranchez le fil du démarreur du moteur.

**REMARQUE :** Cette souffleuse à neige a été expédiée AVEC DE L'HUILE dans le moteur. Voir les instructions *Vérifier l'huile (avant de démarrer le moteur)* dans cette section avant de démarrer le moteur.



**AVERTISSEMENT :** Le fonctionnement de la souffleuse à neige peut résulter à des projections des corps étrangers aux yeux, ce qui peut résulter à un dommage grave à l'œil. Portez toujours des lunettes de sécurité ou des écrans protecteurs avant de commencer le fonctionnement de la souffleuse à neige. Nous recommandons des lunettes de sécurité de norme ou un masque de sécurité à vue large par-dessus les lunettes.

## TESTS DE SÉCURITÉ DE LA SOUFFLEUSE À NEIGE.

### Test 1 - Tarière/turbine

- Débrayez la commande de tarière (à droite).
- La tarière/turbine s'arrête en moins de 5 secondes

### Test 2 - Entraînement de traction

- Débrayez la commande de traction (à gauche).
- La souffleuse à neige en marche avant/arrière s'arrête.

### Test 3 - Commande Free-Hand (si la machine en est équipée)

- Embrayez la commande de tarière et la commande de traction.
- Le débrayage de la commande de tarière immédiatement suivi par celui de la commande de traction (a) arrête la tarière/turbine en moins de 5 secondes et (b) arrête la marche avant/arrière de la souffleuse à neige.



**Danger :** Le conduit d'éjection contient un impulseur rotatif pour éjecter la neige. Ne débouchez ou ne dégager jamais le conduit d'éjection avec vos mains. Les doigts peuvent facilement être pris piège et une amputation traumatique ou dilacération grave en résultera. Utilisez toujours un outil de nettoyage pour déboucher ou dégager le conduit d'éjection.



### AVERTISSEMENT :

- Mettre les mains en contact avec la turbine à l'intérieur de la goulotte d'éjection est la cause la plus commune des blessures associées aux souffleuses à neige.
- Cette souffleuse à neige est capable d'amputer les mains ou les pieds et de projeter des objets. Lire et observer toutes les instructions de sécurité dans ce manuel. Ne pas les observer pourrait entraîner de graves blessures, voire même la mort.

## METTRE EN MARCHÉ LA SOUFFLEUSE À NEIGE



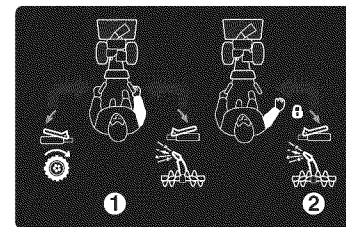
**MISE EN GARDE :** Fonctionnement avec une couverture de protection de neige. Le vent, en soufflant, peut renvoyer des gaz d'échappement en direction de l'utilisateur. Si vous vous apercevez d'une odeur de gaz, changez la direction de la fonction de la souffleuse.

**AVIS :** Ne rejetez pas la neige en direction d'un bâtiment, des objets enfouis pouvant être jetés avec suffisamment de force pour causer des dégâts.

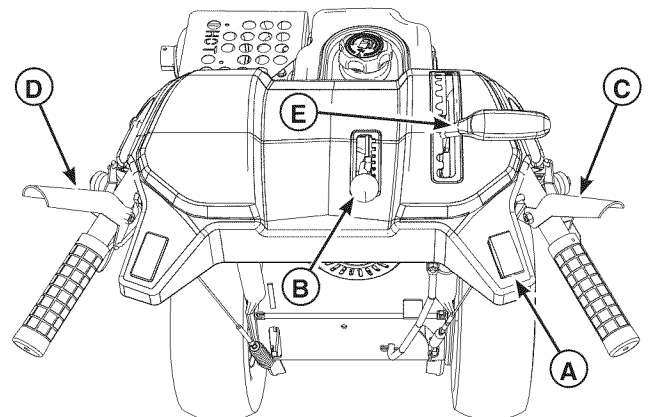
1. Démarrer le moteur. Voir *Démarrer le moteur* dans cette section.
2. Appuyez sur le commutateur du conduit de rotation (A, figure 4) à la position HAUT/BAS pour tourner le conduit d'éjection à la droite ou la gauche. Voir *Goulotte d'éjection et déflecteur* dans cette section.



**MISE EN GARDE :** Avant de faire fonctionner, assurez-vous que l'endroit devant la souffleuse à neige est dégagé d'obstacles ou de personnes.



Commande Free-Hand™



Leviers de commande

Figure 4

3. Appuyez sur le levier de commande du déflecteur (**B**) vers l'avant ou l'arrière pour contrôler l'angle du conduit de déflecteur. Voir **Goulotte d'éjection et déflecteur** dans cette section.
4. Appuyez complètement sur le levier de commande de tarière (**C**) pour embrayer la rotation de tarière. Relâcher le levier de commande de tarière fera débrayer la tarière – à moins que la commande Free-Hand™ n'ait été désactivée.
5. Appuyez à fond sur le levier de commande de traction et de Free-Hand™ en ne le relâchant pas (**D**) pour embrayer le disque de traction et commencer à faire avancer la souffleuse à neige. Pour débrayer l'entraînement de traction, relâchez complètement le levier.
6. Quand on appuie sur LES DEUX leviers, la commande Free-Hand™ est activée. Ceci vous permet de relâcher le levier de commande de la tarière pour utiliser les autres commandes. La tarière va continuer de tourner jusqu'à ce que le levier d'entraînement de commande de traction Free-Hand™ manuelle soit relâché.

**REMARQUE : Relâchez toujours le levier de commande de traction avant de déplacer le levier de sélecteur de vitesse.**

7. Utilisez le levier de sélection de vitesse (**E**) pour choisir la vitesse d'entraînement vers l'avant. Réglez le levier du sélecteur de vitesse à une position selon les conditions d'enneigement :
  - 1-2 Mouillante, lourde, fondante, très profonde
  - 3 Modéré
  - 4-5 Très légère
  - 6 Transport

**REMARQUE : Lorsque vous dégarez de la neige lourde et trempée, il est recommandé que la vitesse d'avancement de la machine soit réduite, que le plein régime soit maintenu et qu'aucune tentative ne soit faite pour dégager la neige dans la pleine largeur de la machine.**

8. Pour arrêter la marche avant, relâchez le levier de commande de traction (**D**).
9. Pour faire reculer la souffleuse à neige, enclenchez le levier de sélection de vitesse sur la marche arrière en première ou en seconde et embrayez le levier de commande de traction.

## ARRÊTEZ LA SOUFFLEUSE À NEIGE

1. Relâcher le levier de commande de tarière (**C**, Figure 4).
2. Relâchez le levier de commande de traction (**D**).
3. Appuyez l'interrupteur MARCHE/ARRÊT (**A**, figure 12) à la position OFF (arrêt) et retirez la clé de sécurité (**B**).



**AVERTISSEMENT : Lisez le manuel de l'utilisateur avant d'utiliser la machine. Cette machine peut être dangereuse si utilisée d'une manière négligente.**

- N'utilisez jamais la souffleuse à neige sans que les protections, caches et éléments protecteurs soient en place.
- Veuillez ne pas projeter la neige vers les fenêtres ou permettre les spectateurs près de la machine pendant son fonctionnement.
- Arrêter le moteur lorsque vous éloigner de la machine.
- Déconnectez la bougie d'allumage avant de débloquer le boîtier d'impulseur ou le conduit d'éjection et avant de faire de la réparation ou des ajustements.
- Lorsque vous éloigner de la machine, enlevez la clé de sécurité. Pour réduire le risque d'incendie, gardez la machine propre et dégagée de gaz renversé, d'huile et d'autres débris.

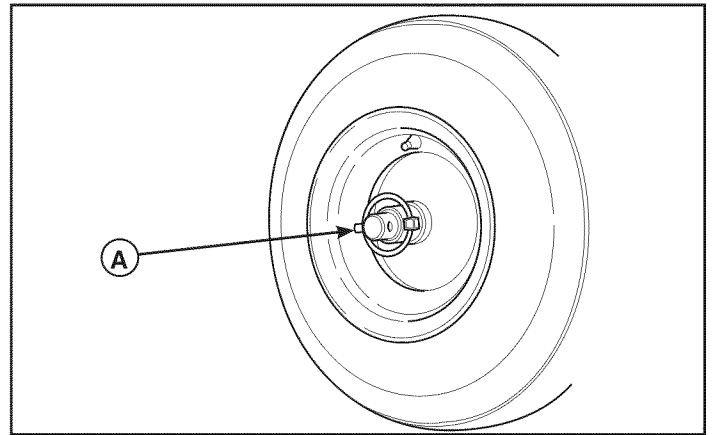


**AVERTISSEMENT : Ne faites pas fonctionner le moteur à l'intérieur ou dans un endroit enfermé et mal ventilé. Les gaz d'échappement du moteur contiennent du MONOXYDE DE CARBONE, un GAZ INODORE et MORTEL.**

- Gardez les mains, les pieds, les cheveux, et vêtements lâches loin des pièces amovibles du moteur et de la souffleuse à neige.
- La température du silencieux et les endroits tout près peuvent excéder 66°C (150°F). Évitez ces endroits.
- NE PERMETTEZ PAS les enfants ou les jeunes adolescents de faire fonctionner ou d'être près de la souffleuse à neige pendant son fonctionnement.

## GOUILLE DE VERROUILLAGE DE TRACTION

La roue de traction droite peut être complètement relâchée en utilisant la goupille de verrouillage (A, Figure 5). Ceci permet de facilement déplacer l'unité avec le moteur à l'arrêt.



Goupille de verrouillage de traction

Figure 5

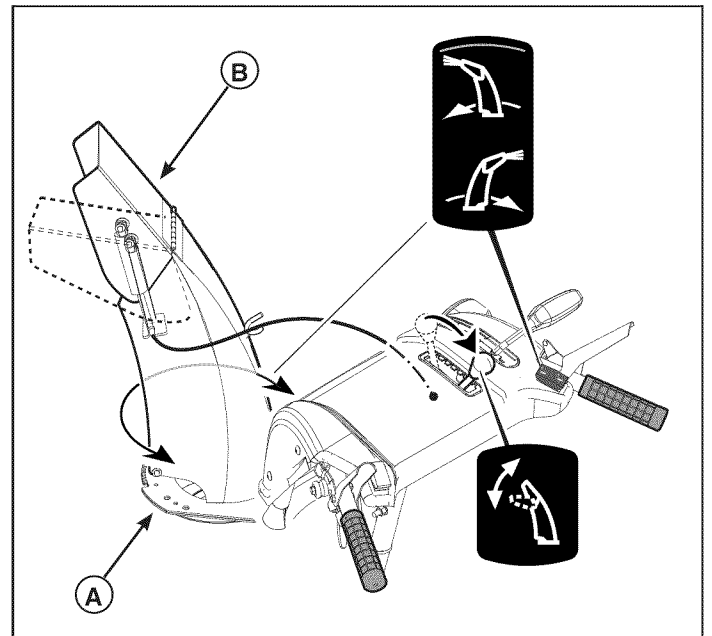
## CONDUIT D'ÉJECTION ET DÉFLECTEUR

### La rotation du conduit d'éjection (gauche/droit)

1. Appuyez le commutateur de rotation du conduit à la position UP (haut) et maintenez pour tourner le conduit vers la gauche (A, Figure 6).
2. Une fois que la position voulue est obtenue, relâchez le commutateur pour le mettre sur la position CENTRE, à l'arrêt.
3. Appuyez le commutateur à la position BAS et maintenez pour tourner dans le sens des aiguilles d'une montre.

### Défecteur de goulotte (En haut/en bas)

1. Appuyez le levier de commande du déflecteur vers l'AVANT pour vous donner un plus grand décharge et une plus grande distance (B, Figure 6).
2. Retirez le levier de commande du déflecteur pour vous donner une plus petite décharge et moins de distance.



Goulotte d'éjection et déflecteur

Figure 6

## VÉRIFICATION DE L'HUILE (AVANT DE MÊTRE EN MARCHE LE MOTEUR)

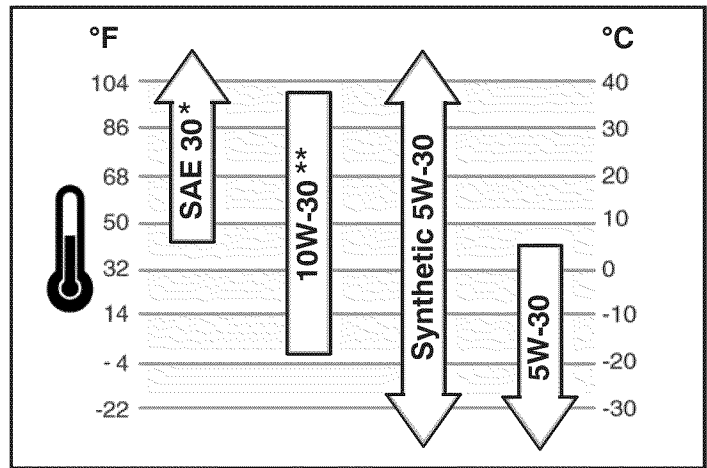
**REMARQUE :** Le moteur a été exédié de l'usine rempli d'huile. Veuillez vérifier le niveau d'huile. Ajouter de l'huile si nécessaire.

1. S'assurer que la machine est nivelée. Utilisez une huile détergente de haute qualité classée « SF, SH, SJ, SL » ou supérieure.
2. Retirez le bouchon/jauge d'huile (A, Figure 7) et essuyez avec un chiffon propre.
3. Insérez le bouchon/jauge d'huile et tournez-le dans le sens des aiguilles d'une montre pour le resserrer.
4. Retirez le bouchon/jauge d'huile et vérifiez l'huile.

**REMARQUE :** Ne vérifiez pas le niveau d'huile pendant le fonctionnement du moteur.

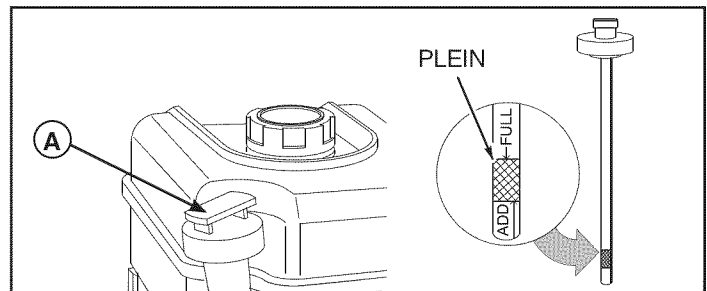
5. Si nécessaire, ajoutez de l'huile jusqu'à la marque PLEIN du jauge d'huile / bouchon d'huile. Ne pas ajouter trop d'huile.
6. Resserrez bien le bouchon/jauge d'huile chaque fois que vous vérifiez le niveau d'huile.

**REMARQUE :** L'huile synthétique 5W30 pour moteur est acceptable pour toutes températures. NE PAS mélanger l'huile avec l'essence. Veuillez voir le tableau pour recommandations d'huile.



\* En-dessous de 40° F (4° C), il sera difficile de démarrer le SAE 30.

\*\* Au-dessus 27°C (80°F) l'utilisation de 10W-30 peut causer une augmentation de consommation d'huile. Vérifiez le niveau d'huile plus fréquemment.



Vérifier l'huile

Figure 7

## RECOMMANDATIONS CONCERNANT LE CARBURANT

**Le carburant doit répondre aux critères suivants :**

- Essence sans plomb, propre et fraîche.
- Au minimum 87 octanes/87 AKI (91 RON). Utilisation en haute altitude, voir ci-dessous.
- De l'essence contenant jusqu'à 10 % d'éthanol (carburol) ou jusqu'à 15 % d'éther méthyl-tertiobutylique est acceptable.

**AVIS :** Ne pas utiliser d'essences non approuvées telles que l'E85 Ne pas mélanger de l'huile avec l'essence ou modifier le moteur afin qu'ils puissent utiliser des carburants alternatifs. Ceci endommagera les composants du moteur et ce dernier ne sera plus sous garantie.

Pour empêcher que de la gomme ne se forme dans le circuit d'alimentation, mélanger un stabilisateur de carburant à l'essence. Tous les carburants ne sont pas identiques. Si des problèmes

de démarrage ou de performance se produisent, changer de fournisseur de carburant ou changer de marque. Ce moteur est certifié pour fonctionner à l'essence. Le système de contrôle des émissions pour ce moteur est EM (Modifications du moteur).

### Haute altitude

À des altitudes supérieures à 1 524 mètres (5 000 pieds), de l'essence d'au minimum 85 octanes/85 AKI (89 RON) est acceptable. Pour rester en conformité avec les normes d'émissions, un réglage pour les hautes altitudes est nécessaire. Faire fonctionner le moteur sans ce réglage donnera lieu à des performances moindres, une consommation de carburant supérieure et une augmentation des émissions. Consultez un revendeur agréé Briggs & Stratton Authorized pour avoir des informations sur les réglages de haute altitude.

Il n'est pas recommandé de faire fonctionner le moteur à des altitudes inférieures à 762 mètres (2 500 pieds) avec le kit haute altitude.

## AJOUTER DU CARBURANT



### AVERTISSEMENT :



**Le carburant et ses vapeurs sont extrêmement inflammables et explosifs.**



**Un incendie ou une explosion peut provoquer des brûlures graves voire la mort.**

### LORS DE L'ADDITION DU CARBURANT

- Arrêter le moteur et le laisser refroidir au moins 3 minutes avant de retirer le bouchon de réservoir.
- Remplir le réservoir de carburant à l'extérieur ou dans un local extrêmement bien ventilé.
- Ne pas trop remplir le réservoir. Pour permettre à l'essence de se détendre, ne pas dépasser pas la base du col du réservoir de carburant en le remplissant.
- Maintenez le carburant éloigné d'étincelles, de flammes nues, de veilleuses, de la chaleur ou d'autres sources d'allumage.
- Vérifiez les conduits d'essence, le réservoir, le bouchon du réservoir et les raccords pour y détecter toute fissure ou fuite. Remplacer si nécessaire.
- Si du carburant se répand, attendre jusqu'à ce qu'il s'évapore avant de démarrer le moteur.

1. Nettoyez la zone autour du bouchon de réservoir en enlevant toute la poussière et les débris. Retirez le bouchon du réservoir (**G**, Figure 3).
2. remplissez le réservoir de carburant avec du carburant. Pour permettre à l'essence de se détendre, ne pas dépasser pas la base du col du réservoir de carburant en le remplissant.
3. Replacer le bouchon du réservoir.

## MISE EN MARCHÉ DU MOTEUR

Assurez-vous que l'huile du moteur atteigne la marque PLEIN sur le bouchon/jauge d'huile. Le moteur de la souffleuse à neige est équipé d'un démarreur électrique sur courant alternatif et d'un démarreur manuel. Avant de mettre en marche le moteur, assurez-vous de bien lire le renseignement suivant.

Si le moteur es noyé, réglez le volet de départ à la position OUVERT/MARCHE et continuez d'essayer de mettre le moteur en marche.



**AVERTISSEMENT :** Le démarreur électrique est muni avec un cordon d'alimentation avec une fiche trifilaire conçu pour fonctionner à partir d'un CA de maison. Le cordon d'alimentation doit être mis à la terre en tout temps pour éviter la possibilité de choc électrique qui peut causer une blessure à l'opérateur. Suivez attentivement les instructions suivantes:

Assurez-vous que votre maison a un système trifilaire mis à la terre.

Si vous n'êtes pas certain, demandez un électricien licencié. Si votre maison n'a pas un système trifilaire mis à la terre, n'utilisez pas un démarreur électrique sous cette condition.

Si votre maison a un système trifilaire mis à la terre mais une prise de courant trifilaire n'est pas disponible pour connecter le démarreur électrique, ayez une prise trifilaire installée par un électricien licencié.



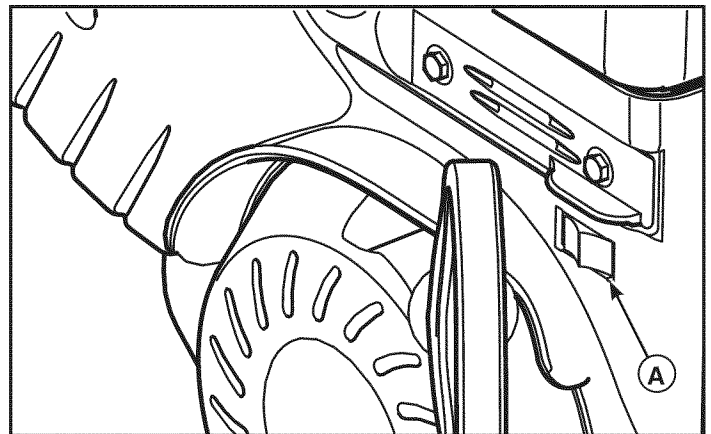
**AVERTISSEMENT :** Pour connecter le cordon d'alimentation, connectez toujours le cordon d'alimentation premièrement au boîtier d'interrupteur situé sur le moteur et puis branchez l'autre bout dans une prise trifilaire mise à la terre.



**AVERTISSEMENT :** Pour déconnecter le cordon d'alimentation, débranchez toujours le bout branché dans la prise trifilaire mise à la terre premièrement.

Suivez les directives suivant pour mettre en marche le moteur:

1. Contrôler le niveau d'huile. Voir la section **Vérifier/ajouter de l'huile** dans le manuel du moteur.
2. S'assurer de débrayer les commandes d'entraînement de l'équipement.
3. Appuyez sur le bouton MARCHE/ARRÊT (**A**, Figure 8) pour le mettre sur la position MARCHE.



Démarrage du moteur

Figure 8

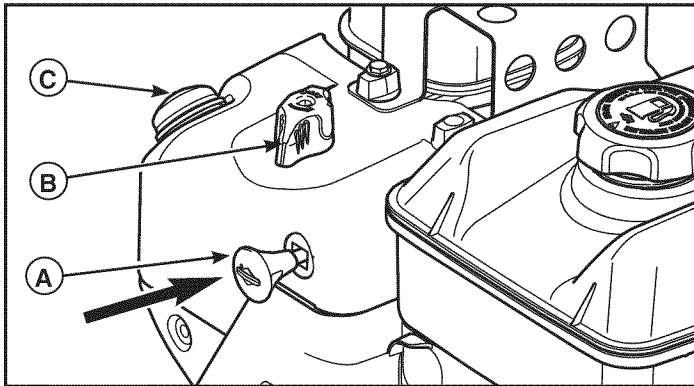
4. Insérez la clé de sécurité (A, figure 9) dans la rainure de clavette et poussez complètement dans la position MARCHÉ.
5. Tournez le bouton du volet de départ (B) complètement de rotation droite lorsque le moteur est froid.

**REMARQUE : Ne pas utiliser le starter pour faire démarrer un moteur chaud.**

6. Poussez le bouton d'amorceur (C) deux fois.

**REMARQUE : Ne pas utiliser l'amorceur pour faire démarrer un moteur chaud.**

**REMARQUE : Assurez-vous que le cordon de raccordement électrique est sorti de la prise de courant.**



Insérez la clé de sécurité

Figure 9

7. **Démarrage rembobinage :** Maintenez fermement la poignée de corde du démarreur (A, Figure 10). Tirer la manette de cordon de démarreur lentement jusqu'à ce qu'une résistance se produise, puis tirer rapidement.

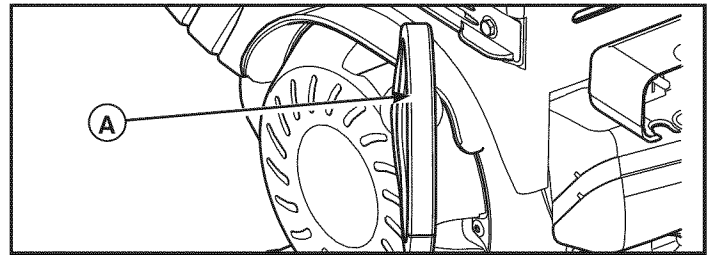
**AVERTISSEMENT :** Une rétraction rapide du cordon de démarreur (effet de rebond) tirera la main ou le bras de l'opérateur vers le moteur plus rapidement que l'on ne peut relâcher le cordon de démarreur. Des os cassés, des fractures, des blessures, ou des foulures peuvent en résulter. Lors du démarrage du moteur, tirer lentement le cordon du démarreur jusqu'à ce qu'une résistance se produise et tirer ensuite rapidement pour éviter tout effet de rebond.

**REMARQUE :** Si après trois tentatives, le moteur ne démarre pas, consulter la section *Dépannage* dans le manuel du moteur.

8. **Démarrage électrique :** Connecter d'abord la rallonge à la prise du cordon d'alimentation et ensuite dans une prise murale. Si un autre cordon de raccordement est nécessaire, assurez-vous qu'il est trifilaire.

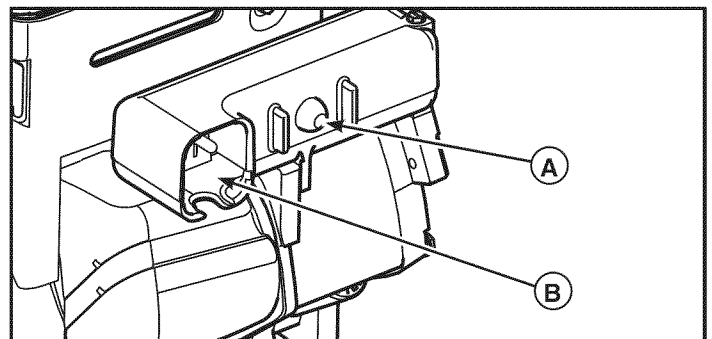
**AVERTISSEMENT :** Si le cordon de raccordement est endommagé, il doit être remplacé par le fabricant (ou son agent agréé) ou par une personne qualifiée pour éviter le danger.

9. **Démarrage électrique :** Appuyez sur le bouton-poussoir du démarreur (A, Figure 11). Après la mise en marche du moteur, déconnectez premièrement le cordon de raccordement de la prise murale et après de la prise du cordon d'alimentation (B).



Démarrage à l'aide de la poignée du cordon

Figure 10



Démarrage à l'aide du démarreur électrique

Figure 11

**IMPORTANT :** Pour prolonger la durée de vie du démarreur, utiliser des cycles de démarrage courts (cinq secondes maximum). Attendre une minute entre les cycles de démarrage.

**REMARQUE :** Si après trois tentatives, le moteur ne démarre pas, consulter la section *Dépannage* dans le manuel du moteur.

## ARRÊTER LE MOTEUR

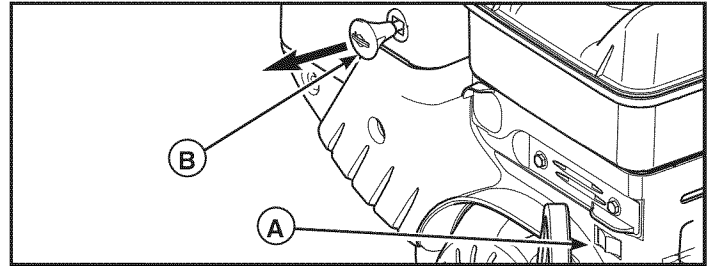
Avant d'arrêter le moteur, faites-le tourner au ralenti pendant quelques minutes pour faciliter le séchage de toute humidité sur le moteur.



**AVERTISSEMENT : L'essence et les vapeurs sont extrêmement inflammables et explosifs. Un incendie ou une explosion peut provoquer des brûlures graves voire la mort. N'éteignez pas le carburateur pour arrêter le moteur.**

1. Appuyez sur le bouton MARCHÉ/ARRÊT (A, Figure 12) pour le mettre sur la position ARRÊT.
2. Enlevez la clé de sécurité (B). Gardez la clé de sécurité hors de la portée des enfants.

**REMARQUE : Ne perdez pas la clé de sécurité. Gardez la clé de sécurité dans un endroit sûr. Le moteur ne fonctionnera pas sans la clé de sécurité.**



Arrêt du moteur

Figure 12

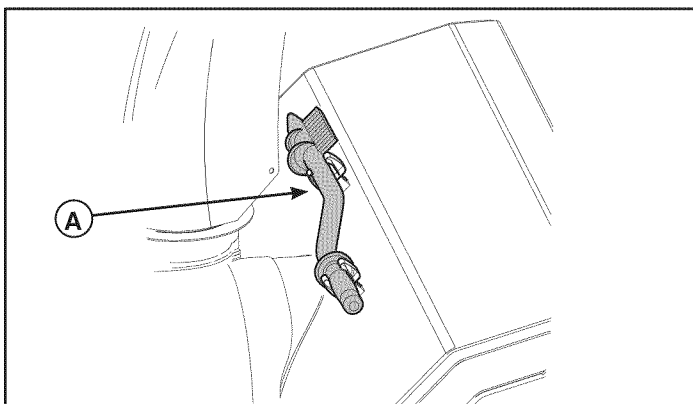
## DÉGAGEMENT DE L'ÉJECTEUR BLOQUÉ



**Danger : Le contact des mains avec la turbine rotative dans la goulotte d'éjection est la cause la plus courante de blessure associée aux souffleuses à neige. Ne dégager ou débloquent jamais le conduit d'éjection avec vos mains ou pendant la mise en marche du moteur. Les doigts peuvent facilement être pris piège et une amputation traumatique ou dilacération grave en résultera.**

- **ARRÊTEZ LE MOTEUR !**
- **Attendez 10 secondes pour être certain que les ailettes de l'impulseur ont arrêté de tourner.**
- **Utilisez toujours un outil de nettoyage, non vos mains.**

Un outil de nettoyage (A, Figure 13) est attaché soit à la poignée soit en haut du carter de la tarière. Utilisez l'outil de nettoyage pour retirer la neige du carter de la tarière.



Outil de nettoyage

Figure 13

## TRUCS DE FONCTIONNEMENT

1. L'enlèvement efficace de la neige est accomplie lorsque la neige est enlevé immédiatement après la tombé.
2. Pour l'enlèvement complète de la neige, veuillez recouvrir partiellement la section traitée,
3. La neige devrait être déchargée au sens de vent lorsque possible.
4. Pour usage normal, baissez les patins à 3 mm (1/8 po) sous la barre de raclage. Pour des surfaces de neige extrêmement compacte, les patins peuvent être ajustés plus haut pour assurer un nettoyage efficace.
5. Sur des surfaces en gravier ou en gravillons, les patins devraient être réglés à 32 mm (1-1/4 po) du dessous de la barre de raclage (voir **Réglez la hauteur des patins** dans la section **Maintenance** de ce manuel). Les pierres et le gravel ne doivent pas être ramassés et projetés par la machine.
6. Après l'enlèvement de la neige est accomplie, laissez le moteur reposer pour quelques minutes, pour fondre la neige et la glace accumulés sur le moteur.
7. Nettoyez la souffleuse à neige complètement après chaque usage.
8. Enlevez l'accumulation de la glace et de la neige et tous débris de la souffleuse à neige entièrement et nettoyez à grande eau (si possible) pour enlever tous sel ou autres produits chimiques. Essuyez la souffleuse à neige.
9. Avant de commencer la souffleuse à neige, inspectez toujours la tarière et l'impulseur pour accumulation de glace et/ou débris qui peut résulter au dommage à la souffleuse à neige.
10. Vérifiez à chaque fois le niveau d'huile avant la mise en marche. Assurez-vous que l'huile est à la marque PLEIN sur le bouchon d'huile/jauge d'huile.

# ENTRETIEN

## TABLEAU DE MAINTENANCE

SOUFFLEUSE À NEIGE
<b>Après chaque utilisation</b>
Retirez la neige et débourbez la souffleuse à neige pour éviter le gel des commandes
<b>Toutes les 8 heures ou chaque jour</b>
Effectuez les tests de sécurité de la souffleuse à neige
<b>Toutes les 25 heures ou chaque année *</b>
Vérification de la pression des pneus
Vérifiez la souffleuse à neige pour qu'il n'y ait pas d'éléments desserrés
<b>Voir le concessionnaire chaque année pour</b>
Lubrifiez les leviers de contrôle et la tringlerie
Lubrifiez les charnières de déflecteur
Lubrifiez le moteur de déflecteur (si la machine en est équipée)
Lubrifiez l'engrenage de rotation de goulotte (si la machine en est équipée)

MOTEUR
<b>Premières 5 heures</b>
Changement de l'huile moteur
<b>Toutes les 8 heures ou chaque jour</b>
Contrôler le niveau d'huile moteur
<b>Toutes les 50 heures ou chaque année *</b>
Changement de l'huile moteur
Vérifiez le silencieux et le protecteur de silencieux
<b>Voir le concessionnaire chaque année pour</b>
Changer la bougie d'allumage
Vérifiez le dégagement de la valve

\* Non nécessaire à moins qu'il y ait des problèmes de performance de moteur.

## DÉCLARATION SUR LE CONTRÔLE DES ÉMISSIONS

La maintenance, le remplacement ou la réparation des dispositifs et systèmes de contrôle des émissions peuvent être effectués par tout établissement de réparation de moteurs non-routiers ou particulier. Cependant, pour obtenir un service après-vente « gratuit » du contrôle des émissions, le travail doit être effectué par un revendeur agréé de l'usine. Voir la section **Garantie concernant le contrôle des émissions** dans le manuel du moteur.

## MAINTENANCE DU MOTEUR

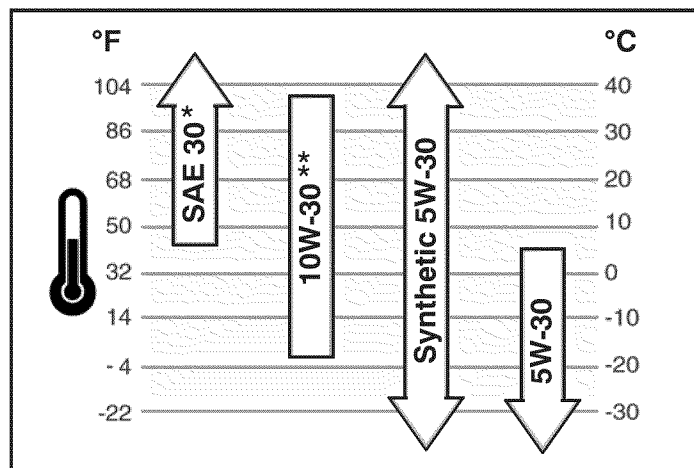
**Vérifiez le niveau d'huile du carter de moteur** - Avant de démarrer le moteur et après 8 heures d'utilisation continue. Ajoutez l'huile de moteur recommandé au besoin.

**REMARQUE : Trop remplir le moteur peut affecter la performance. Serrez bien le bouchon d'huile pour empêcher l'échappement.**

**Changer l'huile** - Toutes les 50 heures de fonctionnement ou au moins une fois par an, même si la souffleuse à neige a été utilisée moins de 50 heures. Utilisez de l'huile détergente propre de haute qualité. Remplissez le carter moteur à la ligne PLEIN du jauge d'huile (A, figure 14). Assurez-vous que le contenu original et marqué: A.P.I qualité "SG" ou plus haut N'utilisez pas de l'huile SAE10W40 (car la lubrification n'est peut-être pas suffisante). **Veillez voir le tableau pour recommandations d'huile.**

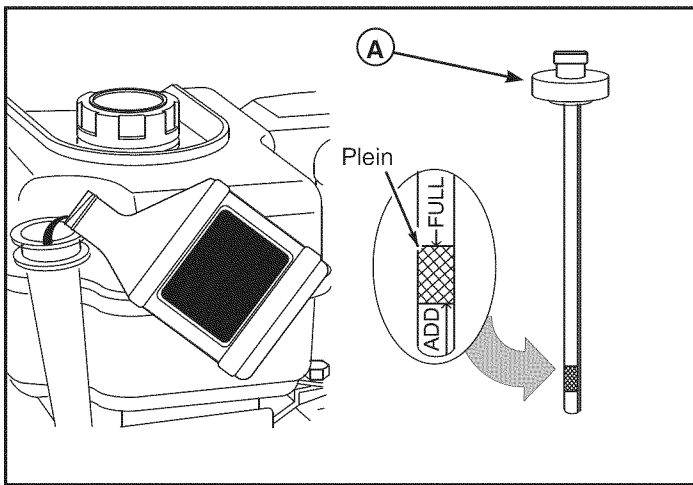
**Vidanger l'huile** - Positionner la souffleuse à neige de telle sorte que le bouchon de vidange d'huile (A, Figure 15) soit le point le plus bas du moteur. Lorsque le moteur est chaud, enlevez le bouchon de vidange d'huile et le bouchon d'huile et videz l'huile dans un récipient approprié.

Remplacez le bouchon de vidange d'huile et serrez solidement. Remplissez le carter moteur avec de l'huile de moteur recommandé.



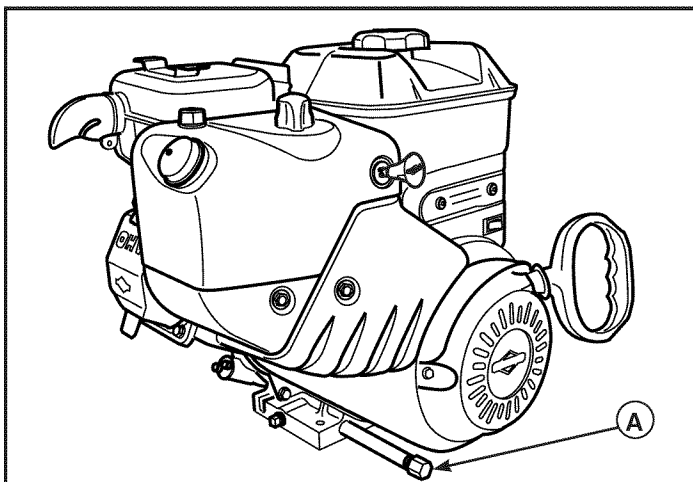
\* En-dessous de 40° F (4° C), il sera difficile de démarrer le SAE 30.

\*\* Au-dessus 27°C (80°F) l'utilisation de 10W-30 peut causer une augmentation de consommation d'huile. Vérifiez le niveau d'huile plus fréquemment.



Vérifier le niveau d'huile du carter de moteur

Figure 14



Bouchon de vidange d'huile

Figure 15

## RÉGLAGE DE LA HAUTEUR DES PATINS



**AVERTISSEMENT :** Coupez toujours la machine, enlevez la clé de contact et déconnectez le fil de bougie d'allumage avant de procéder à toute réparation ou réglage.

Cette souffleuse à neige est munie avec deux patins ajustables pour hauteur, attachés à l'extérieur du boîtier de la tarière. Ceux-ci élèvent le devant de la souffleuse à neige.

Lors de l'enlèvement de la neige d'une surface dure tels que les voies d'accès ou les trottoirs pavés, ajuster les patins vers le haut pour incliner le devant de la souffleuse à neige vers le bas.

Lors de l'enlèvement de la neige d'un endroit rocheux et non nivelé, élever le devant de la souffleuse à neige en déplaçant les patins vers le bas. Ceci aidera à empêcher les pierres et les autres débris d'être ramassés et rejetés par les tarières.

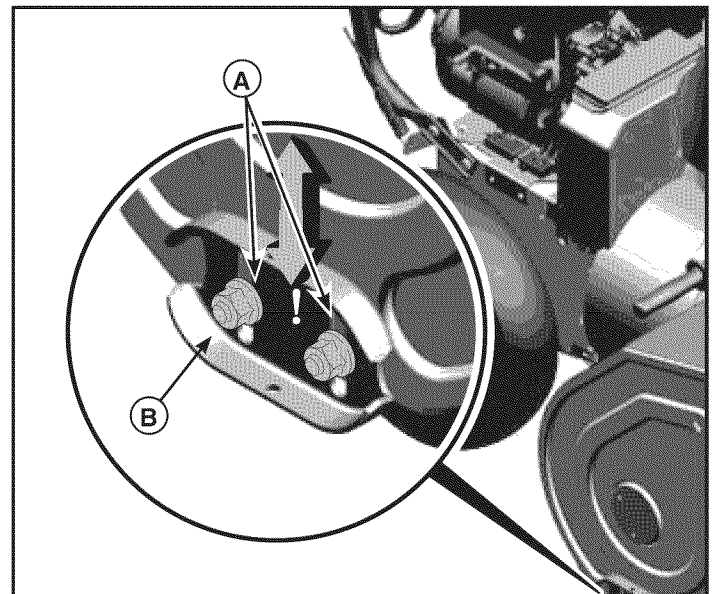
**Pour ajuster les patins, procédez comme suit:**

1. Placez un block (égal à la hauteur du sol désiré) sous la barre de raclage près, mais pas sous le patin.
2. Desserrez les écrous de montage de patin (A, Figure 16) et poussez le patin vers le bas (B) jusqu'à ce qu'il touche le sol. Resserrez les écrous de montage.
3. Placez le patin de l'autre côté à la même hauteur.

**REMARQUE :** Assurez-vous que la souffleuse à neige est à la même hauteur des deux côtés.



**AVERTISSEMENT :** Assurez-vous de bien maintenir un déblaiement d'un espace pour votre section en particulier. Les objets tels que le gravier, les pierres, ou les autres débris, si frappés par l'impulseur, peuvent être projetés avec une force suffisamment pour causer des blessures personnelles, des dommages aux propriétés ou du dommage à la souffleuse à neige.



Régler la hauteur des patins

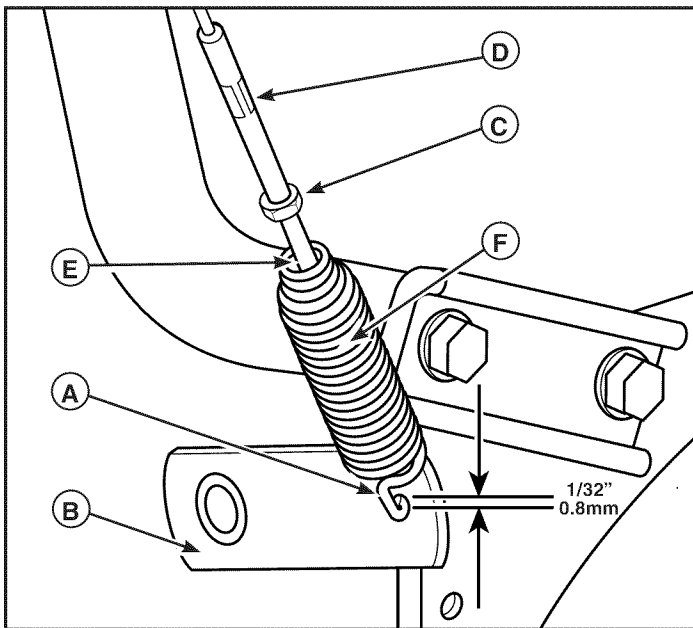
Figure 16

## RÉGLAGE DU CÂBLE DE LA TARIÈRE



**AVERTISSEMENT :** Ne resserrer pas trop, car ceci peut lever le levier et causer l'entraînement de la tarière à être embrayé sans la dépression de la commande de la tarière d'entraînement.

1. Le levier de la tarière relâché, le crochet ((A, Figure 17) devrait à peine toucher le levier (B) sans le lever. Il peut avoir un maximum de 0,8 mm (1/32 po) d'espace libre.
2. Pour ajuster, desserrer l'écrou (C) en maintenant les méplats d'ajustement (D) et en tournant l'écrou. Après, tournez les méplats d'ajustement et tenez l'écrou d'ajustement (E). La vis de réglage est une vis cruciforme et sa tête peut être tenue ou tournée en insérant un tournevis dans le ressort (F).
3. Tenir les méplats d'ajustement et serrer l'écrou.
4. Mise en marche du moteur et vérification de la tarière. La tarière ne doit pas être embrayée à moins que le levier de commande de la tarière est abaissé.
5. Avec le moteur en marche, abaissez complètement le levier d'entraînement de commande de la tarière. La tarière devrait être embrayée et en fonction normale.



Réglage du câble de commande de tarière

Figure 17



**AVERTISSEMENT :** La tarière doit s'arrêter dans les 5 secondes. Si ce n'est pas le cas, consultez un revendeur agréé.

6. Relâcher le levier de commande de tarière.
7. Si la tarière ne fonctionne pas convenablement, arrêtez le moteur et vérifiez une nouvelle fois le réglage du câble de commande de tarière.
8. Si la tringlerie d'entraînement est bien ajustée, la tension de la courroie d'entraînement de la tarière requiers possiblement un ajustement. Consulter un revendeur agréé.

## VÉRIFIER LES PNEUS

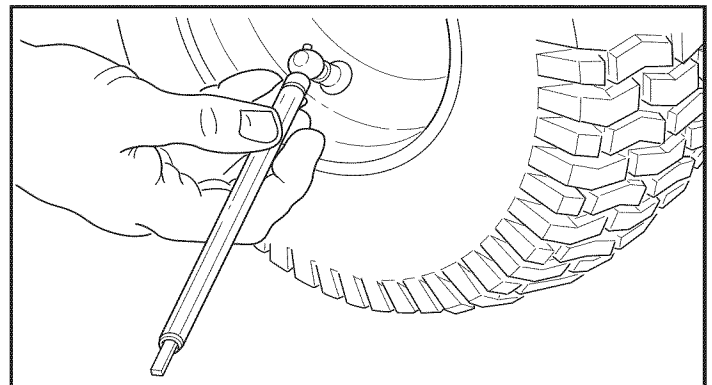
Vérifiez l'état des pneus. Vérifiez la pression d'air des pneus avec un jauge (veuillez voir figure 18).



**MISE EN GARDE :** Évitez les blessures! Les pièces des pneus et des jantes risquent de se séparer en provoquant une explosion lorsqu'elles sont mal entretenues.

- Ne pas tenter de monter un pneu sans avoir l'outillage nécessaire et l'expérience requise pour accomplir la tâche.
- Ne gonflez pas les pneus plus que la pression recommandée.
- Ne soudez ou ne chauffez pas la roue complète. La chaleur peut entraîner une augmentation de la pression d'air et déclencher une explosion. La soudure peut faiblir ou déformer la structure de la roue.
- Ne restez pas devant ou sur l'assemblage de pneu lors du gonflage. Utilisez des outils appropriés qui vous permet de tenir debout latéralement.

**AVIS :** Vérifiez le flanc du pneu pour connaître la pression d'air maximum. Veuillez NE PAS dépasser la limite.



Vérification de la pression d'air des pneus

Figure 18

## REPLACEMENT DE LA GOUPILLE DE CISAILLEMENT POUR TARIÈRE

Les tarières sont fixées à l'arbre de la tarière avec des goupilles spéciaux de cisaillement qui sont conçues pour briser si un objet devient pris dans le boîtier de la tarière. L'utilisation d'une goupille de cisaillement d'une bonne qualité réduira la nécessité de protection de la goupille de cisaillement.



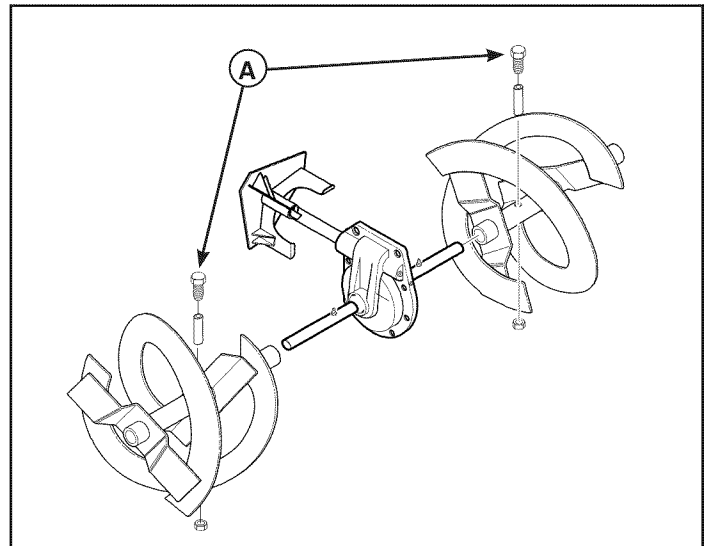
**AVERTISSEMENT : Ne pas s'approcher de la goulotte d'éjection ou de la tarière lorsque le moteur tourne. Ne faites pas fonctionner le moteur si n'importe quel couvercle ou capot est enlevé.**

Dans la plupart des circonstances, si la tarière frappe un objet qui peut causer un dommage à l'appareil, la goupille de cisaillement brisera. Ceci protège le boîtier d'engrenage et les autres pièces du dommage.

Les goupilles de cisaillement (**A**, Figure 19) sont situées sur l'arbre de la tarière. Remplacez une goupille de cisaillement cassée selon les directives qui suivent.

1. Frappez la goupille cassée de son logement avec une chasse-goupille.
2. Installez une nouvelle goupille de cisaillement et clavette. Recourbez les bouts de la clavette.

**IMPORTANT : Ne remplacez pas les goupilles de cisaillement avec autres types que ceux de qualités correctes. L' utilisation des boulons, des vis, ou des goupilles de cisaillement de qualité plus dur peut résulter à un dommage à l'équipement.**



Remplacement de goupille de cisaillement cassée **Figure 19**

## ENTREPOSAGE



**AVERTISSEMENT : N'entreposez pas le moteur, avec carburant dans le réservoir, à l'intérieur ou dans un endroit enfermé et mal ventilé où les vapeurs du carburant peuvent atteindre une flamme nue, une étincelle ou une flamme d'allumage comme une fournaise, une chauffe-eau, une sècheuse, etc.**

**Manipuler l'essence avec prudence. Il est très inflammable et l'utilisation négligente peut résulter à un dommage à votre personne et/ou propriété provenant d'un feu.**

**Videz le carburant dans des récipients approuvés à l'extérieur, loin d'une flamme nue.**

Si la souffleuse à neige doit être remise pendant trente (30) jours ou plus à la fin de la saison des neiges, les mesures suivantes sont recommandées pour les préparatifs de remisage de votre souffleuse à neige.

**REMARQUE : L'essence doit être enlevé ou traité pour empêcher la gomme de former dans le réservoir, le filtre, le tuyau, et le carburateur pendant l'entreposage.**

1. Enlevez l'essence en laissant le moteur fonctionner jusqu'à ce que le réservoir est vide et le moteur arrête. Si vous ne voulez pas enlever l'essence, ajoutez du stabilisateur d'essence à l'essence dans le réservoir pour minimiser le dépôt de la gomme et acides. Si le réservoir est presque vide, mélangez le stabilisateur avec de l'essence frais dans un récipient séparé et ajoutez du mélange au réservoir. *Suivez toujours les instructions sur le récipient du stabilisateur. Puis faites fonctionner le moteur au moins 10 minutes après que le stabilisateur est ajouté pour permettre le mélange d'atteindre le carburateur. Remiser la souffleuse à neige dans un endroit sûr.*
2. Vous pouvez aider votre moteur (4-cycles seulement) dans une bonne condition de fonctionnement en changeant l'huile avant l'entreposage.
3. Lubrifiez la section du piston/cylindre. Ceci peut être accomplie en enlevant premièrement la bougie d'allumage et injecter de l'huile propre dans le trou du bougie. Puis couvrir le trou de la bougie d'allumage avec un linge pour absorber les gouttelettes d'huile. Après, faites tourner le moteur en tirant le démarreur deux ou trois fois. Finalement, réinstallez la bougie d'allumage et attachez le fil de bougie.
4. Nettoyez complètement la souffleuse à neige.
5. Lubrifier tous les points de lubrification (contacter la Maintenance Sears).

6. S'assurer que tous les écrous, les boulons et les vis sont fixés solidement. Inspecter toutes les pièce amovibles pour dommage, brisure et usure. Remplacer si nécessaire.
7. Retoucher toutes les surfaces rouillées ou écaillées; ponçer légèrement avant de peindre.
8. Couvrir les pièces nues de métal du boîtier de la tarière de la souffleuse à neige, et de l'impulseur avec un antirouille.
9. Si possible, entreposez votre souffleuse à neige à l'intérieur et couvrez-la pour protection contre la poussière et la saleté.
10. Sur des modèles avec des guidons repliables, désérrez les boutons fixés au guidon supérieur. Retournez le guidon supérieur.
11. Si la machine doit être entreposée à l'extérieur, emboîtez la souffleuse à neige et assurez que la machine entière ne touche pas le sol. Couvrez la souffleuse à neige avec une toile épaisse.

## ENLÈVEMENT DE L'ENTREPOSAGE

1. Mettez la poignée supérieure en position de marche, resserrez les boutons attachant la poignée supérieure.
2. Remplir le réservoir de carburant avec du carburant récemment acheté.
3. Vérifiez la bougie d'allumage. Assurez-vous que l'écartement soit correct. Si la bougie est usée ou endommagée, remplacez-la avant toute utilisation.
4. S'assurer de bien serrer toutes les fixations.
5. S'assurer que les protections, les éléments protecteurs et les carters soient en place.
6. Assurez-vous que tous les réglages soient les bons.

# DÉPANNAGE

PROBLÈME	CAUSE	SOLUTION
<b>la tarière s'arrête dans les 5 secondes suivant le relâchement du levier de commande droit.</b>	La commande Free-Hand™ est ACTIVE.	Relâcher à la fois la commande de tarière et les leviers de commande de traction Free-Hand™ pour arrêter la tarière.
	La commande Free-Hand™ ne fonctionne pas correctement (ne réussit pas à passer le test de sécurité 3).	Contactez la Maintenance Sears.
	Câble de commande de tarière déréglé (ne réussit pas à passer le test de sécurité 1).	Régalez le câble de commande de tarière. Se reporter à « Réglage du câble » dans la section <b>Maintenance</b> de ce manuel. Assurez-vous que la commande de tarière passe avec succès le test de sécurité 1.
	Rouleau de guidage de la courroie de transmission de la vis déréglé.	Contactez la Maintenance Sears.
<b>La goulotte d'éjection ou le déflecteur ne fonctionne pas (commande électrique).</b>	Panne électrique.	Contactez la Maintenance Sears.
<b>La goulotte d'éjection ou le déflecteur ne fonctionne pas (commande à distance-manuelle).</b>	La goulotte d'éjection ou le déflecteur sont déréglés ou nécessitent d'être lubrifiés.	Contactez la Maintenance Sears.
<b>Le moteur ne réussit pas à démarrer.</b>	La clé manque.	Tournez la clé sur la position MARCHÉ.
	Impossibilité de démarrer au starter un moteur froid.	Appuyez deux fois sur le bouton d'amorce et démarrez.
	La soupape d'arrêt de carburant est sur la position FERMÉ (si la machine en est équipée).	Tourner la soupape sur la position OUVERT.
	Panne de carburant.	Remplir le réservoir de carburant.
	Starter sur ARRÊT - moteur froid.	Tourner le starter sur MARCHÉ, régler la manette de gaz sur RAPIDE.
	Moteur noyé.	Tournez le starter sur ARRÊT; essayez de démarrer.
	Pas d'étincelle.	Contactez la Maintenance Sears.
	Eau dans le carburant ou carburant usagé.	Vider le réservoir. (Se débarrasser du carburant dans un dépôt de déchets dangereux). Remplir avec du carburant frais.
	Cordon électrique non branché ou mauvais fonctionnement (modèles à démarrage électrique).	Brancher le cordon électrique ou le remplacer s'il est défectueux.
<b>Moteur démarre difficilement ou ne fonctionne pas bien.</b>	Mélange trop riche.	Tournez le starter sur la position ARRÊT.
	Bougie défectueuse, encrassée ou dont l'écartement des électrodes est mal réglé.	Contactez la Maintenance Sears.
	La calotte d'aération est bloquée.	Dégager les orifices de ventilation.
<b>Vibrations excessives.</b>	Pièces détachées ou turbine/tarière endommagée.	Arrêter immédiatement le moteur. Contacter la Maintenance Sears.

PROBLÈME	CAUSE	SOLUTION
<b>La souffleuse à neige en marche avant ou arrière ne s'arrête pas quand le levier de commande de traction est débrayé.</b>	Commande de traction déréglée (ne réussit pas à passer le test de sécurité 2).	Contactez la Maintenance Sears.
<b>La souffleuse à neige tire d'un côté.</b>	Pression des pneus inégale.	Vérifier la pression des pneus.
	Une roue est réglée sur le mode roue-libre. (La goupille de verrouillage de traction est dans le trou EXTÉRIEUR). Modèles équipés de goupilles ou de blocages de roue.	Assurez-vous que la goupille de verrouillage de traction gauche soit bien dans les trous INTÉRIEURS (pour embrayer l'entraînement de traction).
<b>La barre-grattoir ne nettoie pas les surfaces en dur.</b>	Patins mal réglés.	Régalez le cas échéant les patins.
<b>La fraiseuse à neige ne réussit pas à se déplacer à faible vitesse.</b>	La commande de traction est déréglée.	Amener le levier de sélection de vitesse sur la vitesse supérieure. Si rien ne change, consulter un revendeur agréé.
<b>La souffleuse à neige ne réussit pas à se déplacer en marche avant ou arrière, quelle que soit la vitesse.</b>	Courroie d'entraînement lâche ou bien endommagée.	Contactez la Maintenance Sears.
	La commande de traction est déréglée.	Contactez la Maintenance Sears.
	Disque de friction usé ou endommagé.	Contactez la Maintenance Sears.
<b>La machine refuse d'éjecter la neige.</b>	Câble de commande de tarière déréglé.	Régalez le câble de commande de tarière. Se reporter à « Réglage du câble » dans la section <b>Maintenance</b> de ce manuel.
	Courroie d'entraînement de tarière lâche ou bien endommagée.	Contactez la Maintenance Sears.
	Goupille de cisaillement cassée.	Remplacer la goupille de cisaillement. Se reporter à « Remplacement de la goupille de cisaillement de tarière » dans la section <b>Maintenance</b> de ce manuel.
	Goulotte d'éjection obstruée par de la neige.	Arrêtez immédiatement le moteur. Toujours utiliser un outil de nettoyage pour déboucher une goulotte d'éjection obstruée, et non les mains. Nettoyer la goulotte d'éjection et l'intérieur du carter de tarière. Se reporter à « Avertissements » dans la section <b>Sécurité de l'utilisateur</b> .
	Objet étranger logé dans la tarière.	Arrêtez immédiatement le moteur. Toujours utiliser un outil de nettoyage pour déboucher une goulotte d'éjection obstruée, et non les mains. Retirer l'objet de la tarière. Se reporter à « Avertissements » dans la section <b>Sécurité de l'utilisateur</b> .

# SPÉCIFICATIONS

## MOTEUR :

<b>Marque</b>	Briggs & Stratton
<b>Série de modèle</b>	Snow Series™
<b>Couple de serrage*</b>	9.0 T.P. à 3 060 tr/min
<b>Type</b>	4-cycle - OHV
<b>Cylindrée</b>	205 cm <sup>3</sup> (12.5 po <sup>3</sup> )
<b>Démarrage du système</b>	Lanceur électrique 110 V avec cordon
<b>Alternateur Régulateur 9 A</b>	
<b>Capacité d'huile</b>	0,59 litre (20 oz)
<b>Huile moteur</b>	Synthétique 5W30
<b>Volume du réservoir de carburant</b>	3,0 litres (3 pintes)
<b>Entrefer de la bougie d'allumage</b>	0.030 in. (0,76 mm)
<b>Bougie d'allumage, EMS « Q »</b>	691043
<b>Système d'allumage</b>	Ce système de bougie d'allumage est conforme à la norme canadienne NMB-002.

## TARIÈRE / IMPULSEUR :

<b>Largeur de nettoyage</b>	68,6 cm (27 po)
<b>Hauteur d'admission</b>	49,5 cm (19,5 po)
<b>Diamètre de la tarière / impulseur</b>	30 cm (12 po)
<b>Nombre d'ailettes de l'impulseur</b>	3

## GOULOTTE :

<b>Déflexeur de goulotte</b>	Télécommandé
<b>Rotation de goulotten</b>	Électrique, 200SDgr

## SYSTÈME D'ENTRAÎNEMENT :

<b>Type d'entraînement</b>	Disque de friction – Goupille de verrouillage de traction
<b>Vitesses d'entraînement</b>	6 vitesses avant, 2 marche arrière
<b>Dimension des pneus</b>	41 x 12 cm (16 x 4,8 po)
<b>Pression des pneus</b>	Voir la pression maximale sur le flanc du pneu.

## Puissances nominales

Les étiquettes de puissance nominale brute pour les modèles de moteurs à essence individuels répondent au code J1940 (Small Engine Power & Torque Rating Procedure) de la SAE (Society of Automotive Engineers) ; et la performance nominale a été obtenue et corrigée conformément à SAE J1995 (Révision 2002-05). Les valeurs de couple sont dérivées à 3 060 tr/min ; les valeurs de puissance sont dérivées à 3 600 tr/min. Les courbes de puissance brute peuvent être consultées sur le site [www.BRIGGSand-STRATTON.COM](http://www.BRIGGSand-STRATTON.COM). Les valeurs données pour la puissance nette sont mesurées avec l'échappement ou le filtre à air installé tandis que les valeurs données pour la puissance brute sont recueillies sans ces accessoires. La puissance brute du moteur sera plus élevée que la puissance nette du moteur et elle affectée, entre autres, par les conditions atmosphériques de fonctionnement et les variations entre les moteurs. Étant donné la gamme étendue de produits sur lesquels les moteurs sont placés, il se peut que le moteur à essence ne développe pas la puissance nominale brute quand il est utilisé sous une version spécifique d'alimentation électrique. Cette différence est due à différents facteurs, y compris, mais sans toutefois s'y limiter, la diversité des composants du moteur (filtre à air, échappement, chargement, refroidissement, carburateur, pompe à carburant, etc.), la limite des applications, les conditions atmosphériques de fonctionnement (température, humidité, altitude) et les variations entre les moteurs. En raison des limites de fabrication et de capacité, Briggs & Stratton peut substituer un moteur d'une puissance nominale supérieure pour le moteur de cette série.

## Pièces et accessoires

Contactez la Maintenance Sears pour des détails.

# GARANTIE

## GARANTIE TOTALE DE DEUX ANS CRAFTSMAN

PENDANT DEUX ANS à compter de la date d'achat, le présent produit est garanti contre tout vice de fabrication ou de matière. Tout produit défectueux bénéficiera d'une réparation gratuite ou sera remplacé si aucune réparation n'est possible.

Pour le détail de la couverture au titre de la garantie pour bénéficier d'une réparation gratuite ou d'un produit de remplacement, visiter le site Web : [www.craftsman.com](http://www.craftsman.com).

La présente garantie est annulée si le présent produit est utilisé à des fins commerciales ou bien s'il est loué à une autre personne.

La présente garantie couvre UNIQUEMENT les vices de fabrication ou de matière. La couverture de garantie n'inclut PAS :

- Les éléments déployables pouvant s'user normalement au cours de la période de garantie, y compris mais sans toutefois s'y limiter les tarières, les pales de tarière, les coupe-congères, les patins, la plaque de coupe à ras, les goupilles de cisaillement, la bougie d'allumage, le filtre à air, les courroies, et enfin l'huile filtre.
- Les entretiens programmés, les changements d'huile, ou les réglages.
- Le remplacement de pneus ou la réparation de crevaisons dues à des objets étrangers, tels que clous, épines, racines ou verre.
- Le remplacement d'un pneu ou d'une roue en raison d'une usure normale, d'un accident ou d'une utilisation ou d'une maintenance inappropriée.
- Les réparations nécessaires dues à une utilisation abusive, y compris mais sans toutefois s'y limiter tout dommage provoqué par le surrégime du moteur, ou par l'impact d'objets ayant déformé le châssis, l'arbre de tarière, etc.
- Les réparations nécessaires dues à la négligence de l'utilisateur, y compris mais sans toutefois s'y limiter tout dommage électrique ou mécanique résultant d'un remisage inapproprié, de l'utilisation d'une huile d'une qualité non préconisée ou d'une quantité d'huile moteur inadéquate, ou bien le non-respect des instructions de maintenance du matériel conformément à ce qui est indiqué dans le manuel de l'utilisateur.
- Le nettoyage ou les réparations du moteur (circuit du carburant) résultant de carburant contaminé ou oxydé (éventé). En général, le carburant doit être utilisé dans les 30 jours suivant la date d'achat.
- La détérioration et l'usure normale des peintures et vernis extérieurs ou le remplacement de l'étiquette du produit. La présente garantie vous offre des droits juridiques spécifiques et il se peut que vous ayez d'autres droits qui varient d'un État à l'autre.

Sears Brands Management Corporation, Hoffman Estates, IL 60179

# CONTRAT ASSURANCE-RÉPARATION

*Nous vous félicitons pour avoir fait le bon choix lors de votre achat.*

Votre produit Craftsman® neuf est conçu et fabriqué pour vous procurer des années de service fiable. Mais comme tous les produits, il se peut qu'il nécessite éventuellement une réparation. C'est pour cela que le contrat assurance-réparation peut vous faire économiser de l'argent et vous éviter des déboires.

## **Voici ce que le contrat assurance-réparation inclut :**

- ☑ **Un service d'expert** fourni par nos 10 000 professionnels spécialistes de la réparation
- ☑ **Des interventions illimitées et gratuites** pour les pièces et la main-d'œuvre rentrant dans le cadre de la couverture du contrat
- ☑ **Le remplacement du produit** à concurrence de 1 500 \$ si votre produit couvert par le contrat ne peut pas être réparé
- ☑ **Une remise de 10 %** sur le tarif standard des interventions ainsi que sur les pièces associées non couvertes par le contrat. Également 10 % de remise sur le tarif standard des vérifications de maintenance préventive
- ☑ **Assistance téléphonique rapide** – nous l'appelons « Résolution rapide » et elle est assurée par un représentant de Sears. Considérez-nous tout simplement comme un « manuel de l'utilisateur parlant ».

Une fois que vous achetez le contrat assurance-réparation, un simple coup de fil suffit pour que nous prenions rendez-vous pour une intervention. Vous pouvez appeler à toute heure du jour ou de la nuit, ou bien programmer en ligne un rendez-vous pour une intervention.

Le contrat assurance-réparation est un achat sans risque. Si vous l'annulez pour quelque raison que ce soit pendant la période de garantie du produit, nous vous rembourserons en totalité. Ou bien, nous vous rembourserons au prorata et à tout moment une fois que la période de garantie a expiré. Achetez dès aujourd'hui votre contrat assurance-réparation !

**Certaines restrictions et exclusions s'appliquent. Pour des prix et des informations supplémentaires, aux États-Unis, appelez le 1-800-827-6655.**

**\*La couverture au Canada varie pour certains articles. Pour de plus amples détails, appelez Sears Canada au 1-800-361-6665.**

## **Service d'installation Sears**

*Pour toute installation professionnelle par Sears d'appareils ménagers, d'ouvre-porte de garage, de chauffe-eau ou de tout autre produit ménager majeur, aux États-Unis ou au Canada, appelez le 1-800-4-MY-HOME®.*







# Get it fixed, at your home or ours!

## Your Home

For troubleshooting, product manuals and expert advice:



[www.managemylife.com](http://www.managemylife.com)

For repair – **in your home** – of **all** major brand appliances, lawn and garden equipment, or heating and cooling systems, **no matter who made it, no matter who sold it!**

For the replacement parts, accessories and owner's manuals that you need to do-it-yourself.

For Sears professional installation of home appliances and items like garage door openers and water heaters.

**1-800-4-MY-HOME®** (1-800-469-4663)

Call anytime, day or night (U.S.A. and Canada)

[www.sears.com](http://www.sears.com)    [www.sears.ca](http://www.sears.ca)

## Our Home

For repair of carry-in items like vacuums, lawn equipment, and electronics, call anytime for the location of your nearest

**Sears Parts & Repair Service Center**

**1-800-488-1222** (U.S.A.)

[www.sears.com](http://www.sears.com)

**1-800-469-4663** (Canada)

[www.sears.ca](http://www.sears.ca)

To purchase a protection agreement on a product serviced by Sears:

**1-800-827-6655** (U.S.A.)

**1-800-361-6665** (Canada)

Para pedir servicio de reparación a domicilio, y para ordenar piezas:

**1-888-SU-HOGAR®**

(1-888-784-6427)

[www.sears.com](http://www.sears.com)

Au Canada pour service en français:

**1-800-LE-FOYER<sup>MC</sup>**

(1-800-533-6937)

[www.sears.ca](http://www.sears.ca)

The Sears logo, consisting of the word "sears" in a lowercase, sans-serif font.

® Registered Trademark / <sup>TM</sup> Trademark of KCD IP, LLC in the United States, or Sears Brands, LLC in other countries

® Marca Registrada / <sup>TM</sup> Marca de Fábrica de KCD IP, LLC en Estados Unidos, o Sears Brands, LLC in otros países

<sup>MC</sup> Marque de commerce / <sup>MD</sup> Marque déposée de Sears Brands, LLC