



ELECTRIC DRYER  
USE & CARE GUIDE

SECADORA ELÉCTRICA  
MANUAL DE USO Y CUIDADO

SECHE-LINGE ELECTRIQUE  
GUIDE D'UTILISATION ET D'ENTRETIEN

ASCIUGATRICE ELETTRICA  
ISTRUZIONI PER L'USO E LA MANUTENZIONE

# TABLE OF CONTENTS

<b>DRYER SAFETY</b> .....	4	Install Leveling Legs.....	13	Cycles.....	17
<b>DRYER DISPOSAL</b> .....	6	Connect Vent.....	13	Drying Rack Option.....	18
<b>INSTALLATION INSTRUCTIONS</b> .....	6	Level Dryer.....	13	<b>DRYER CARE</b> .....	<b>18</b>
Tools and Parts.....	6	Reverse Door Swing (Optional).....	13	Cleaning the Dryer Location.....	18
Location Requirements.....	7	Complete Installation.....	14	Cleaning the Lint Screen.....	18
Electrical Requirements.....	8	<b>DRYER USE</b> .....	<b>15</b>	Cleaning the Dryer Interior.....	19
Venting Requirements.....	9	Starting Your Dryer.....	15	Removing Accumulated Lint.....	19
Plan Vent System.....	11	Drying, Cycle and Temperature Tips.....	16	Vacation and Moving Care.....	19
Install Vent System.....	12	Dryer Symbols.....	16	<b>TROUBLESHOOTING</b> .....	<b>20</b>
				<b>ASSISTANCE OR SERVICE</b> .....	<b>21</b>

# ÍNDICE

<b>SEGURIDAD DE LA SECADORA</b> .....	22	Instalación de las patas niveladoras.....	31	Ciclos.....	35
<b>ELIMINACIÓN DE LA SECADORA</b> .....	24	Conexión del conducto de escape.....	31	Opción de estante de secado.....	36
<b>INSTRUCCIONES DE INSTALACIÓN</b> .....	24	Nivelación de la secadora.....	31	<b>CUIDADO DE LA SECADORA</b> .....	<b>37</b>
Herramientas y piezas.....	24	Cómo invertir el sentido de apertura de la puerta (opcional).....	31	Limpieza del lugar donde está la secadora.....	37
Requisitos de ubicación.....	25	Complete la instalación.....	32	Limpieza del filtro de pelusa.....	37
Requisitos eléctricos.....	26	<b>USO DE LA SECADORA</b> .....	<b>33</b>	Limpieza del interior de la secadora.....	37
Requisitos de ventilación.....	27	Puesta en marcha de su secadora.....	33	Eliminación de pelusa acumulada.....	38
Planificación del sistema de ventilación.....	29	Consejos para secado, ciclos y temperatura.....	34	Cuidado para las vacaciones y la mudanza.....	38
Instalación del sistema de ventilación.....	30	Símbolos de la secadora.....	34	<b>SOLUCIÓN DE PROBLEMAS</b> .....	<b>38</b>
				<b>AYUDA O SERVICIO TÉCNICO</b> .....	<b>40</b>

## TABLE DES MATIERES

<b>ECURITE DU SECHE-LINGE.....</b>	<b>41</b>	Installation des pieds de nivellement.....	50	Option grille de séchage.....	55
<b>MISE AU REBUT DU SECHE-LINGE .....</b>	<b>43</b>	Raccordement du conduit d'évacuation.....	50	<b>ENTRETIEN DU SECHE-LINGE .....</b>	<b>56</b>
<b>INSTRUCTIONS D'INSTALLATION .....</b>	<b>43</b>	Mise à niveau du sèche-linge .....	50	Nettoyage de l'emplacement du sèche-linge .....	56
Outillage et pièces .....	43	Inversion du sens d'ouverture de la porte (facultatif).....	50	Nettoyage du filtre à charpie.....	56
Exigences d'emplacement.....	44	Achever l'installation.....	51	Nettoyage de l'intérieur du sèche-linge.....	57
Spécifications électriques.....	45	<b>UTILISATION DE LA SÈCHEUSE.....</b>	<b>52</b>	Enlever la charpie accumulée.....	57
Exigences concernant l'évacuation .....	46	Mise en marche du sèche-linge.....	52	Précautions à prendre pour les vacances et avant un déménagement .....	57
Planification du système d'évacuation .....	47	Conseils pour séchage, programmes et température.....	53	<b>DEPANNAGE .....</b>	<b>58</b>
Installation du système d'évacuation.....	49	Symboles du sèche-linge .....	53	<b>ASSISTANCE OU REPARATION .....</b>	<b>60</b>
		Description des programmes.....	54		

## INDICE

<b>SICUREZZA DELL'ASCIUGATRICE.....</b>	<b>61</b>	Installare i piedini di livellamento.....	70	Cicli .....	74
<b>SMALTIMENTO DELL'ASCIUGATRICE.....</b>	<b>63</b>	Allacciatura Sfiatoio.....	70	Opzione Stendino.....	74
<b>ISTRUZIONI INSTALLAZIONE .....</b>	<b>64</b>	Posizionamento Asciugatrice.....	70	<b>CURA DELL'ASCIUGATRICE.....</b>	<b>75</b>
Attrezzi e Pezzi .....	64	Invertire l'apertura dello sportello di Carico (Opzionale). 71		Pulire l'area intorno all'asciugatrice.....	75
Esigenze di Collocazione .....	64	Termine Installazione .....	71	Pulire il Filtro per Pelucchi.....	75
Requisiti Elettrici .....	66	<b>USO DELL'ASCIUGATRICE.....</b>	<b>72</b>	Pulizia all'interno dell'asciugatrice .....	76
Requisiti Evacuazione .....	67	Avvio dell'Asciugatrice.....	72	Rimozione Pelucchi Accumulati.....	76
Schema Sistema di Scarico.....	68	Consigli per Asciugatura, Cicli e Temperature.....	73	Precauzioni Assenze o Traslochi.....	76
Installazione sistema di evacuazione .....	70	Simboli dell'Asciugatrice .....	73	<b>MALFUNZIONAMENTO .....</b>	<b>77</b>
				<b>ASSISTENZA O MANUTENZIONE .....</b>	<b>79</b>

# DRYER SAFETY

## Your safety and the safety of others are very important.

We have provided many important safety messages in this manual and on your appliance. Always read and obey all safety messages.



This is the safety alert symbol.

This symbol alerts you to potential hazards that can kill or hurt you and others.

All safety messages will follow the safety alert symbol and either the word "DANGER" or "WARNING."

These words mean:

**⚠ DANGER**

You can be killed or seriously injured if you don't immediately follow instructions.

**⚠ WARNING**

You can be killed or seriously injured if you don't follow instructions.

All safety messages will tell you what the potential hazard is, tell you how to reduce the chance of injury, and tell you what can happen if the instructions are not followed.

## IMPORTANT SAFETY INSTRUCTIONS

**WARNING:** To reduce the risk of fire, electric shock, or injury to persons when using the dryer, follow basic precautions, including the following:

- Read all instructions before using the dryer.
- Gas dryers should only be installed in a room if the room meets the appropriate ventilation requirements specified in the national installation regulations. Make sure the room containing the dryer has an adequate air supply for gas combustion and/or drying operation. A window or equivalent means of ventilation must be opened in the room when the dryer is in use (an equivalent form of opening includes an adjustable louvre, hinged panel, or other means of ventilation that opens directly to outside air).
- Keep a minimum clearance of 10 cm (4 in.) between the rear of the dryer and any wall.
- The operation of this appliance may affect the operation of other types of gas appliances which take their air supply for safe combustion from the same room. There has to be adequate ventilation to replace exhausted air and thus avoid the back-flow of gases into the room from appliances burning other fuels, including open fires, when operating the tumble dryer. If in doubt, consult the appliance manufacturers.
- Do not obstruct the air supply to the dryer (see Installation Instructions for minimum clearances).
- Do not place items exposed to cooking oils in your dryer. Items contaminated with cooking oils may contribute to a chemical reaction that could cause a load to catch fire.

**SAVE THESE INSTRUCTIONS**

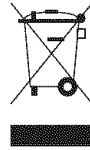
## IMPORTANT SAFETY INSTRUCTIONS

- Items that have been soiled with substances such as cooking oil, acetone, alcohol, petrol, kerosene, spot removers, turpentine, waxes and wax removers should be washed in hot water with an extra amount of detergent before being dried in the dryer. These items may give off vapours that could ignite or explode.
- Do not allow children to play on or in the dryer. Close supervision of children is necessary when the dryer is used near children.
- Before the dryer is removed from service or discarded, remove the doors to the drying compartment.
- Do not reach into the dryer if the drum is moving. A door switch is fitted for your safety.
- Do not install or store the dryer where it will be exposed to the weather.
- Do not tamper with controls.
- Do not continue to use this appliance if it appears to be faulty.
- Do not repair or replace any part of the dryer or attempt any maintenance unless specifically recommended in this Use and Care Guide. Repairs and servicing should only be carried out by competent service personnel.
- Do not use fabric softeners or products to eliminate static unless recommended by the manufacturer of the fabric softener or product. Follow their instructions.
- Clean dryer lint screen before or after each load. Do not operate dryer without lint screen in place.
- Keep area around the exhaust and inlet openings and adjacent surrounding areas free from the accumulation of lint, dust, and dirt.
- The interior of the dryer and exhaust vent should be cleaned periodically by qualified service personnel.
- See Installation Instructions for earthing instructions.
- If the supply cord is damaged, it must be replaced by the manufacturer or its' service agent or a similarly qualified person in order to avoid hazard.
- Do not dry unwashed items in this dryer.
- Items such as foam rubber (latex foam), shower caps, waterproof textiles, rubber backed articles and clothes or pillows fitted with foam rubber pads should not be dried in the dryer.
- The final part of a tumble dryer cycle occurs without heat (cool down cycle) to ensure that the items are left at a temperature that ensures the items will not be damaged.

**WARNING:** Never stop a tumble dryer cycle before the end of the drying cycle unless all items are quickly removed and spread out so that the heat is dissipated.

**SAVE THESE INSTRUCTIONS**

# DRYER DISPOSAL



This appliance is marked according to the European directive 2002/ 96/ EC on Waste Electrical and Electronic Equipment (WEEE).

By ensuring this product is disposed of correctly, you will help avoid potential negative consequences for the environment and human health, which could otherwise be caused by inappropriate waste handling of this product.

The symbol on the product, or on the documents accompanying the product, indicates that this appliance may not be treated as household waste. Instead it shall be handed over to the applicable collection point for the recycling of electrical and electronic equipment.

Disposal must be carried out in accordance with local environmental regulations for waste disposal.

For more detailed information about treatment, recovery and recycling of this product, please contact your local city office, your household waste disposal service or the shop where you purchased the product.

# INSTALLATION INSTRUCTIONS

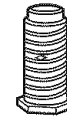
## Tools and Parts

Gather the required tools and parts before starting installation. Read and follow the instructions provided with any tools listed here.

- Flat-blade screwdriver
- #2 Phillips screwdriver
- Adjustable wrench that opens to 2.54 cm (1") or hex-head socket wrench (for adjusting dryer feet)
- Tin snips (new vent installations)
- Level
- Vent clamps
- Caulking gun and compound (for installing new exhaust vent)
- Tape measure

### Parts supplied

Remove parts packages from dryer drum. Check that all parts are included.




4 Leveling legs

### Parts needed

Check local codes. Check existing electrical supply and venting. See "Electrical Requirements" and "Venting Requirements" before purchasing parts.

## Location Requirements

**⚠ WARNING**



**Explosion Hazard**

**Keep flammable materials and vapors, such as gasoline, away from dryer.**

**Place dryer at least 18 inches (46 cm) above the floor for a garage installation.**

**Failure to do so can result in death, explosion, or fire.**

### You will need

- A location that allows for proper exhaust installation. See “Venting Requirements.”
- A separate 30-amp circuit.
- An earthed electrical outlet located within 61 cm (2 ft) of either side of the dryer. See “Electrical Requirements.”
- A sturdy floor to support the total weight (dryer and load) of 90.7 kg (200 lbs). The combined weight of a companion appliance should also be considered.
- A level floor with a maximum slope of 2.5 cm (1") under entire dryer. (If slope is greater than 2.5 cm [1"], install Extended Dryer Feet kit, Part Number 279810.) Clothes may not tumble properly and models with automatic sensor cycles may not operate correctly if dryer is not level.

Do not operate your dryer at temperatures below 7°C (45°F). At lower temperatures, the dryer might not shut off at the end of an automatic cycle. Drying times can be extended.

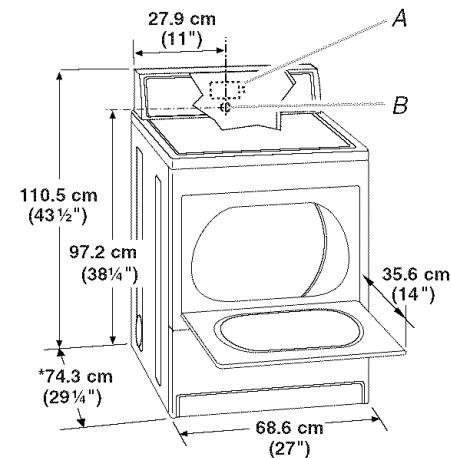
The dryer must not be installed or stored in an area where it will be exposed to water and/or weather.

Check code requirements. Some codes limit, or do not permit, installation of the dryer in garages, closets, mobile homes or sleeping quarters. Contact your local building inspector.

### Installation Clearances

The location must be large enough to allow the dryer door to open fully.

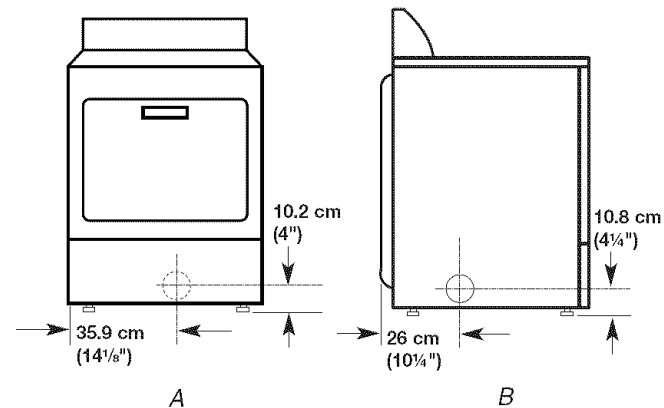
### Dryer Dimensions



A. Terminal block cover  
B. Power supply cord/cable strain relief

\*Most installations require a minimum 12.7 cm (5") clearance behind the dryer for the exhaust vent with elbow. See “Venting Requirements.”

### Exhaust dimensions

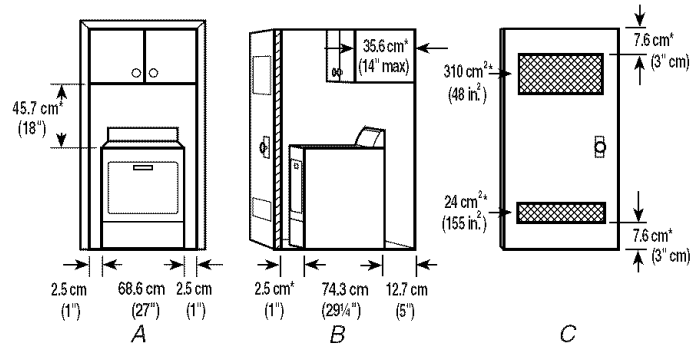


A. Back exhaust  
B. Left or right side exhaust

## Installation spacing for recessed area or closet installation

The following spacing dimensions are recommended for this dryer. This dryer has been tested for spacing of 0 cm (0") clearance on the sides and rear. Recommended spacing should be considered for the following reasons:

- Additional spacing should be considered for ease of installation and servicing.
- Additional clearances might be required for wall, door and floor moldings.
- Additional spacing should be considered on all sides of the dryer to reduce noise transfer.
- For closet installation, with a door, minimum ventilation openings in the top and bottom of the door are required. Louvered doors with equivalent ventilation openings are acceptable.
- Companion appliance spacing should also be considered.



A. Recessed area  
B. Side view - closet or confined area  
C. Closet door with vents

\*Additional spacing recommended

## Electrical Requirements

**IMPORTANT:** Observe all governing codes and ordinances.

### It is your responsibility

- To contact a qualified electrical installer to assure that the electrical installation is adequate and is in conformance with all local codes and ordinances.
- To supply the required 2 wire, single phase, 230 volt, 50 Hz., AC only electrical supply on a separate 30-amp circuit. A time-delay fuse or circuit breaker is recommended. Connect to an individual branch circuit.

**NOTE:** In accordance with the European EMC Directive (89/336/EEC) the maximum electricity supply system impedance to which the electric dryer should be connected is declared to be 0.302 Ohm + j0.189 Ohm.

**⚠ WARNING**

**Electrical Shock Hazard**

**Electrical earthing is required on this dryer.**

**Do not earth to a gas pipe.**

**Do not change the power supply cord plug. If it does not fit the outlet, have a proper outlet installed by a qualified electrician.**

**Do not have a fuse in the neutral or earthing circuit.**

**Do not use an extension cord with this dryer.**

**Check with a qualified electrician to be sure the dryer is properly earthed.**

**Do not connect plug end of power supply cord into a live receptacle before connecting power supply cord to dryer terminal block.**

**Do not reuse old power supply cord.**

**Failure to follow these instructions could result in death, fire, or serious injury.**

- To minimize possible shock hazard, the cord must be plugged into a mating receptacle. Be sure wall receptacle is within reach of dryer's final location.

- Plug supply cord into an earthed outlet. It should be connected to an electrical supply socket at the voltage shown on the rating plate. The minimum supply fuse capacity should be 16A. The dryer must be positioned so that the plug is accessible. If the fitted plug is not used, the electrical connection must be carried out by a competent electrician in accordance with local or national codes.
- If the supply cord is damaged, it must be replaced with a specially terminated cord by an authorized service agent or a similarly competent person.
- Do not use an adapter.
- If codes permit and an additional earth bond wire is used, it is recommended that a competent electrician determine that the earth bond plate is adequate.

For information on ordering parts, see "Assistance or Service."

### EARTHING INSTRUCTIONS

- For an earthed, cord-connected dryer:  
This dryer must be earthed. In the event of malfunction or breakdown, earthing will reduce the risk of electric shock by providing a path of least resistance for electric current. The plug must be plugged into an appropriate outlet that is properly installed and earthed in accordance with all local codes and ordinances.

**WARNING:** Improper connection of the equipment-earthing conductor can result in a risk of electric shock. Check with a qualified electrician or service representative or personnel if you are in doubt as to whether the dryer is properly earthed. Do not modify the plug provided with the dryer: if it will not fit the outlet, have a proper outlet installed by a qualified electrician.

**SAVE THESE INSTRUCTIONS**

## Venting Requirements

### **⚠ WARNING**



#### Fire Hazard

- Use a heavy metal vent.**
- Do not use a plastic vent.**
- Do not use a metal foil vent.**
- Failure to follow these instructions can result in death or fire.**

**WARNING:** To reduce the risk of fire, this dryer **MUST BE EXHAUSTED OUTDOORS.**

**IMPORTANT:** Observe all governing codes and ordinances.

The dryer exhaust must not be connected into any gas vent, chimney, wall, ceiling or a concealed space of a building.

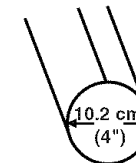
#### If using an existing vent system

- Clean lint from the entire length of the system and make sure exhaust hood is not plugged with lint.
- Replace any plastic or metal foil vent with rigid or flexible heavy metal vent.
- Review Vent system chart. Modify existing vent system if necessary to achieve the best drying performance.

#### If this is a new vent system

##### Vent material

- Use a heavy metal vent. Do not use plastic or metal foil vent.
- 10.2 cm (4") heavy metal exhaust vent and clamps must be used.



10.2 cm (4") heavy metal exhaust vent

Vent products can be purchased from your dealer or by calling Maytag Services. For more information, see the "Assistance or Service" section.

### Rigid metal vent

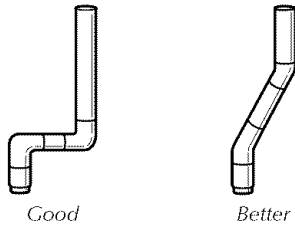
- For best drying performance, rigid metal vents are recommended.
- Rigid metal vent is recommended to avoid crushing and kinking.

### Flexible metal vent

- Flexible metal vents are acceptable only if accessible for cleaning.
- Flexible metal vent must be fully extended and supported when the dryer is in its final location.
- Remove excess flexible metal vent to avoid sagging and kinking that may result in reduced airflow and poor performance.
- Do not install flexible metal vent in enclosed walls, ceilings or floors.

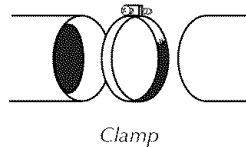
### Elbows

45° elbows provide better airflow than 90° elbows.



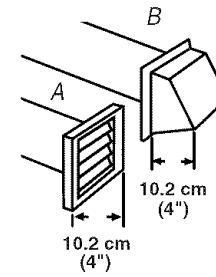
### Clamps

- Use clamps to seal all joints.
- Exhaust vent must not be connected or secured with screws or other fastening devices that extend into the interior of the duct. Do not use duct tape.



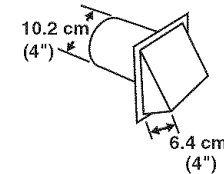
### Exhaust

Recommended hood styles are shown here.



A. Louvered hood style  
B. Box hood style

The angled hood style (shown here) is acceptable.



- An exhaust hood should cap the vent to keep rodents and insects from entering the home.
- Exhaust hood must be at least 30.5 cm (12") from the ground or any object that may be in the path of the exhaust (such as flowers, rocks or bushes, snow line, etc.).
- Do not use an exhaust hood with a magnetic latch.

#### Improper venting can cause moisture and lint to collect indoors, which may result in:

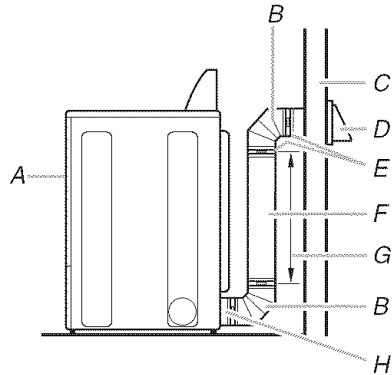
- Moisture damage to woodwork, furniture, paint, wallpaper, carpets, etc.
- Housecleaning problems and health problems.

# Plan Vent System

## Choose your exhaust installation type

### Recommended exhaust installations

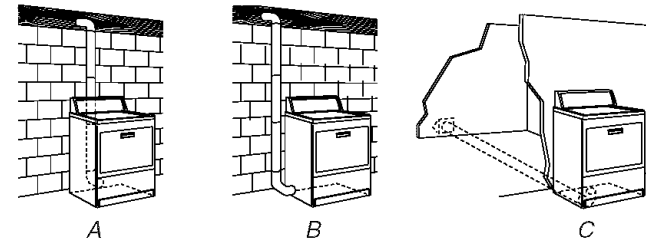
Typical installations vent the dryer from the rear of the dryer. Other installations are possible.



- A. Dryer
- B. Elbow
- C. Wall
- D. Exhaust hood
- E. Clamps
- F. Rigid metal or flexible metal vent
- G. Vent length necessary to connect elbows
- H. Exhaust outlet

### Optional exhaust installations

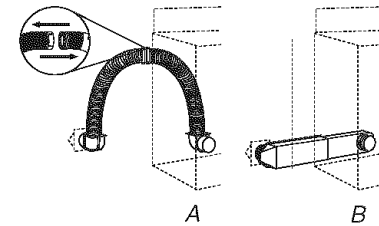
This dryer can be converted to exhaust out the right side, left side, or through the bottom. If you prefer, you may contact your local dealer to have the dryer converted.



- A. Standard rear offset exhaust installation
- B. Left or right side exhaust installation
- C. Bottom exhaust installation

### Alternate installations for close clearances

Venting systems come in many varieties. Select the type best for your installation. Two close-clearance installations are shown. Refer to the manufacturer's instructions.



- A. Over-the-top installation (also available with one offset elbow)
- B. Periscope installation

## WARNING



### Fire Hazard

Cover unused exhaust holes with the following kit:

279818 (white)

Contact your local dealer.

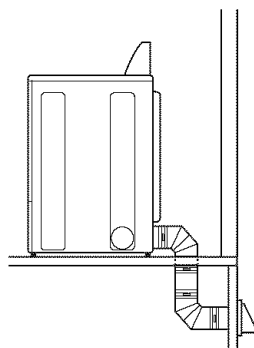
Failure to follow these instructions can result in death, fire, electrical shock, or serious injury.

**NOTE:** The following kits for close clearance alternate installations are available for purchase. To order, please see the "Assistance or Service" section.

- Over-the-Top Installation:  
Part Number 4396028
- Periscope Installation (For use with dryer vent to wall vent mismatch):  
Part Number 4396037 - 0 cm (0") to 45.72 cm (18") mismatch  
Part Number 4396011 - 45.72 cm (18") to 73.66 cm (29") mismatch  
Part Number 4396014 - 73.66 cm (29") to 127 cm (50") mismatch

### Special provisions for mobile home installations

The exhaust vent must be securely fastened to a noncombustible portion of the mobile home structure and must not terminate beneath the mobile home. Terminate the exhaust vent outside.



### Determine vent path

- Select the route that will provide the straightest and most direct path outdoors.
- Plan the installation to use the fewest number of elbows and turns.
- When using elbows or making turns, allow as much room as possible.
- Bend vent gradually to avoid kinking.
- Use the fewest 90° turns possible.

### Determine vent length and elbows needed for best drying performance

- Use the Vent system chart below to determine type of vent material and hood combinations acceptable to use.

**NOTE:** Do not use vent runs longer than those specified in the Vent system chart. Exhaust systems longer than those specified will:

- Shorten the life of the dryer.
- Reduce performance, resulting in longer drying times and increased energy usage.

The Vent system chart provides venting requirements that will help to achieve the best drying performance.

### Vent system chart

**NOTE:** Side and bottom exhaust installations have a 90° turn inside the dryer. To determine maximum exhaust length, add one 90° turn to the chart.

Number of 90° turns or elbows	Type of vent	Box or louvered hoods	Angled hoods
0	Rigid metal	20m (64 ft)	17.7 m (58 ft)
	Flexible metal	11m (36 ft)	8.5 m (28 ft)
1	Rigid metal	16.5 m (54 ft)	14.6 m (48 ft)
	Flexible metal	9.4 m (31 ft)	7 m (23 ft)
2	Rigid metal	13.4 m (44 ft)	11.6 m (38 ft)
	Flexible metal	8.2 m (27 ft)	5.8 m (19 ft)
3	Rigid metal	10.7 m (35 ft)	8.8 m (29 ft)
	Flexible metal	7.6 m (25 ft)	5.2 m (17 ft)
4	Rigid metal	8.2 m (27 ft)	6.4 m (21 ft)
	Flexible metal	7 m (23 ft)	4.6 m (15 ft)

### Install Vent System

1. Install exhaust hood. Use caulking compound to seal exterior wall opening around exhaust hood.
2. Connect vent to exhaust hood. Vent must fit inside exhaust hood. Secure vent to exhaust hood with 10.2 cm (4") clamp.
3. Run vent to dryer location. Use the straightest path possible. See "Determine vent path" in "Plan Vent System." Avoid 90° turns. Use clamps to seal all joints. Do not use duct tape, screws or other fastening devices that extend into the interior of the vent to secure vent.

## Install Leveling Legs

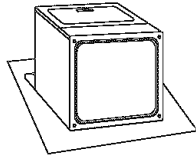
### **⚠ WARNING**

#### **Excessive Weight Hazard**

**Use two or more people to move and install dryer.**

**Failure to do so can result in back or other injury.**

1. To protect the floor, use a large, flat piece of cardboard from the dryer carton. Place cardboard under the entire back side of the dryer.
2. Firmly grasp the body of the dryer (not the top or console panel). Gently lay the dryer on the cardboard. See illustration.



3. Examine the leveling legs. Find the diamond marking.



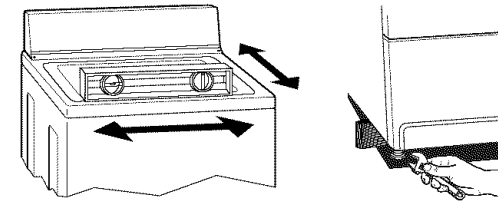
4. Screw the legs into the leg holes by hand. Use a wrench to finish turning the legs until the diamond marking is no longer visible.
5. Place a carton corner post from dryer packaging under each of the 2 dryer back corners. Stand the dryer up. Slide the dryer on the corner posts until it is close to its final location. Leave enough room to connect the exhaust vent.

## Connect Vent

1. Using a 10.2 cm (4") clamp, connect vent to exhaust outlet in dryer. If connecting to existing vent, make sure the vent is clean. The dryer vent must fit over the dryer exhaust outlet and inside the exhaust hood. Check that the vent is secured to exhaust hood with a 10.2 cm (4") clamp.
2. Move dryer into its final location. Do not crush or kink vent.
3. (On gas models) Check that there are no kinks in the flexible gas line.
4. Once the exhaust vent connection is made, remove the corner posts and cardboard.

## Level Dryer

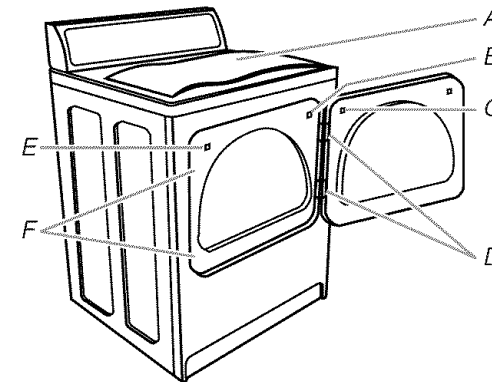
Check the levelness of the dryer. Check levelness first side to side, then front to back.



If the dryer is not level, prop up the dryer using a wood block. Use a wrench to adjust the legs up or down and check again for levelness.

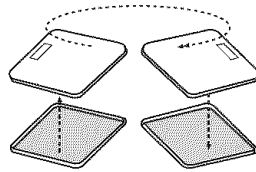
## Reverse Door Swing (Optional)

You can change your door swing from a right-side opening to a left-side opening, if desired.

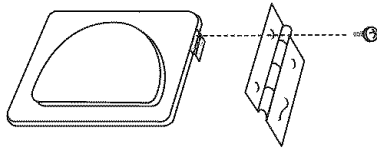


1. Place towel (A) on top of dryer to protect surface.
2. Open dryer door. Remove bottom screws from cabinet side of hinges (D). Loosen (do not remove) top screws from cabinet side of hinges.
3. Lift door until top screws in cabinet are in large part of hinge slot. Pull door forward off screws. Set door (handle side up) on top of dryer. Remove top screws from cabinet.

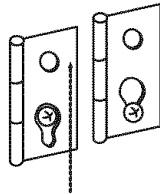
4. Remove screws attaching hinges to door.
5. Remove screws at top, bottom and side of door (4 screws). Holding door over towel on dryer, grasp sides of outer door and gently lift to separate it from inner door. Do not pry apart with putty knife. Do not pull on door seal or plastic door catches.
6. Be certain to keep cardboard spacer centered between doors. Reattach outer door panel to inner door panel so handle is on the side where hinges were just removed.



7. Attach door hinges to dryer door so that the larger hole is at the bottom of the hinge.



8. Remove door strike (E) from cabinet. Use a small, flat-blade screwdriver to gently remove 4 hinge hole plugs (F) on left side of cabinet. Insert plugs into hinge holes on right side of cabinet.
9. Insert screws into bottom holes on left side of cabinet. Tighten screws halfway. Position door so large end of door hinge slot is over screws. Slide door up so screws are in bottom of slots. Tighten screws. Insert and tighten top screws in hinges.



10. Remove door strike plug (B). Insert the door strike you removed in Step 8 into hole and secure with screw. Insert door strike plug into original door strike hole and secure with screw.
11. Close door and check that door strike aligns with door catch (C). If it is needed, slide door catch left or right within slot to adjust alignment.

## Complete Installation

1. Check that all parts are now installed. If there is an extra part, go back through the steps to see which step was skipped.
2. Check that you have all of your tools.
3. Dispose of/recycle all packaging materials.
4. Check the dryer's final location. Be sure the vent is not crushed or kinked.
5. Check that the dryer is level. See "Level Dryer."
6. Plug into a grounded 2 prong outlet. Turn on power.
7. Remove the blue protective film on the console and any tape remaining on the dryer.
8. Read "Dryer Use."
9. Wipe the dryer drum interior thoroughly with a damp cloth to remove any dust.
10. Set the dryer on a full heat cycle (not an air cycle) for 20 minutes and start the dryer.

### If the dryer will not start, check the following:

- Controls are set in a running or "On" position.
- Start button has been pushed firmly.
- Dryer is plugged into an outlet and/or electrical supply is on.
- Household fuse is intact and tight, or circuit breaker has not tripped.
- Dryer door is closed.

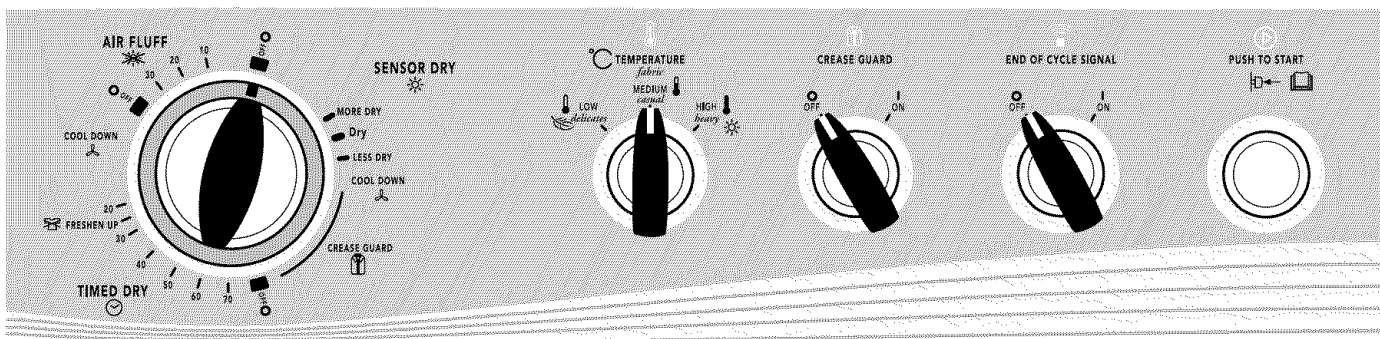
11. When the dryer has been running for 5 minutes, open the dryer door and feel for heat. If you feel heat, cancel cycle and close the door.

### If you do not feel heat, turn off the dryer and check the following:

- Check that the fuse is intact and tight, or that the circuit breaker has not tripped. If the problem continues, contact a qualified technician.

**NOTE:** You may notice a burning odor when the dryer is first heated. This odor is common when the heating element is first used. The odor will go away.

# DRYER USE



ENGLISH

## Starting Your Dryer

### ⚠ WARNING



#### Explosion Hazard

Keep flammable materials and vapors, such as gasoline, away from dryer.

Do not dry anything that has ever had anything flammable on it (even after washing).

Failure to follow these instructions can result in death, explosion, or fire.

### ⚠ WARNING



#### Fire Hazard

No washer can completely remove oil.

Do not dry anything that has ever had any type of oil on it (including cooking oils).

Items containing foam, rubber, or plastic must be dried on a clothesline or by using an Air Cycle.

Failure to follow these instructions can result in death or fire.

**WARNING:** To reduce the risk of fire, electric shock, or injury to persons, read the IMPORTANT SAFETY INSTRUCTIONS before operating this appliance.

This book covers several different models. Your dryer may not have all of the cycles and features described.

Before using your dryer, wipe the dryer drum with a damp cloth to remove dust from storing and shipping.

1. Clean lint screen before each load. See "Cleaning the Lint Screen."
2. Load clothes loosely into the dryer and close the door. Do not pack the dryer. Allow space for clothes to tumble freely.

3. Turn the Cycle Control knob to the recommended cycle for the type of load being dried. Use the Energy Preferred setting (\*) to dry most heavy to medium-weight fabrics.
4. If your dryer has a Temperature selector, set it to the recommended setting for the type of fabric being dried. See "Cycles" for temperature suggestions. On some models, temperature is included in the cycle selections.
5. (OPTIONAL) Your dryer may have a WRINKLE PREVENT feature selector. When you are unable to remove a load from the dryer as soon as it stops, wrinkles can form. This feature periodically tumbles, rearranges and fluffs the load without heat to help smooth out wrinkles.
6. (OPTIONAL) Your dryer may have an END OF CYCLE SIGNAL. The signal is helpful when drying items that should be removed from the dryer as soon as it stops.

- On some models, the volume of the End of Cycle signal can be adjusted. Turn the selector to the desired volume.
  - On other models, the End of Cycle signal is part of the Start button and is selectable. Turn the START button to ON or OFF. The signal will sound only if the selector is set to On.
7. Select the desired Option. See “Cycles.”
  8. If desired, add fabric softener sheet. Follow instructions on the package.
  9. Push the START button.

### How Automatic Drying Works

When you are using the Auto Moisture Sensing Cycle, the dryness of the load is determined by two metal strips (sensors) located on the inside of the dryer. The metal strips help “feel” the amount of moisture left in the clothes as they tumble. When moisture is left in the clothes, the Cycle Control knob will not advance. As clothes begin to dry, the amount of water left in the clothes decreases, and the timer advances through the remainder of the cycle. When the selected dryness level is reached, the dryer goes into a cool down period of up to 10 minutes.

### Stopping and Restarting

You can stop your dryer anytime during a cycle.

#### To stop your dryer

Open the dryer door or turn the Cycle Control knob to OFF.

**NOTE:** The Cycle Control knob should point to an Off area when the dryer is not in use.

#### To restart your dryer

1. Close the door.
2. Select a new cycle and temperature (if desired).
3. Push the START button.

## Drying, Cycle and Temperature Tips

Select the correct cycle and temperature for your load.

Cool Down tumbles the load without heat during the last few minutes of all cycles to make the load easier to handle.

### Drying tips

- Follow care label directions when they are available.
- If desired, add a fabric softener sheet. Follow package instructions.
- Remove the load from the dryer as soon as tumbling stops, to reduce wrinkling. This is especially important for permanent press, knits and synthetic fabrics.

















### Cycle and temperature tips

- Dry most loads using the Energy Preferred setting, if available on your dryer.
- Use a High heat setting for drying heavyweight items such as towels and work clothes.
- Use a Medium heat setting for drying medium-weight items such as sheets, underwear, permanent press fabrics and some knits.
- Use a Low heat setting for drying lightweight items such as lingerie, blouses, dresses and some knits.
- Use a no-heat (air) setting for rubber, plastic or heat-sensitive fabrics.
- Line dry bonded or laminated fabrics.

**NOTE:** If you have questions about drying temperatures for various loads, refer to the care label directions. If you are unsure of the temperature to select for a load, select a lower setting rather than a higher setting.






## Dryer Symbols

The control panel of your dryer contains symbols. Refer to the chart below for a definition of those symbols.

Temperature Selector	
 Low Heat	 Medium Heat
	 High Heat
Start Button	
	
End of Cycle Signal Selector	
 End of Cycle Signal On	 End of Cycle Signal Off
Cycle Control Knob	
Automatic Drying Cycles	
 Heavyweight Items	 Cupboard Dry Plus
 Cupboard Dry	 Cotton
 Synthetics/Permanent Press	 Quick Dry
 Delicates	 Cool Down
 Iron Dry	 Machine Off

**Cycle Control Knob**

 **Timed Drying Cycle**

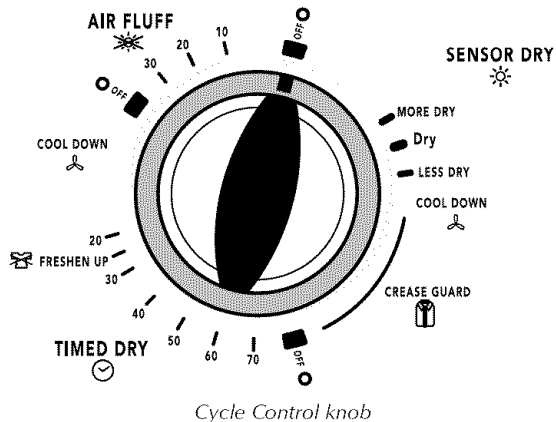
70.....20 Minutes of heated drying		Damp Dry
 Iron Dry		Cool Down
 Machine Off		Read Operators Manual

 **Air Dry Cycle**

30.....10 Minutes of no-heat drying		Machine Off
-------------------------------------	---	-------------

**Cycles**

This manual covers several different models. Your dryer may vary from the model shown and may not have all of the cycles and features described.



Cycle Control knob

**Auto Sense Dry Cycle**

Use your Auto Sense Dry cycle to dry most loads. Your dryer has a control that senses the moisture level in the load and shuts off when the load reaches the selected dryness. Select the temperature from the temperature selector based on the fabrics in your load.

After drying a load in the Auto Sense Dry cycle, check the dryness.

If the load is drier than you like, select a setting closer to Less Dry the next time you dry a similar load.

If a load is not as dry as you like, complete drying using a timed cycle. Select a setting closer to Very Dry the next time you dry a similar load.

**NOTE:** Drying time varies with an Auto Sense Dry cycle. The type of fabric, the size of the load, and the dryness selected affect drying time. See “Drying, Cycle, and Temperature Tips.”

**Timed Dry cycle(s)**

Select the correct Timed Dry setting and temperature for your load.

Use a longer Timed Dry setting for heavyweight and bulky items, such as bedspreads and work clothes, or large loads that require a long drying time. Set the temperature selector, if available, to High Heat.

Use a shorter Timed Dry setting for lightweight items such as lingerie or knits. Set the temperature selector, if available, based on the fabrics in your load.

**No Heat Fluff cycles**

Use the No Heat Fluff cycle for items that require drying without heat such as rubber, plastic or heat-sensitive fabrics. Set the Cycle Control knob to No Heat Fluff. This chart shows examples of items that can be dried using the No Heat Fluff cycle.

Type of Load	No Heat Fluff cycle*
Foam rubber—pillows, padded bras, stuffed toys	20 - 30
Plastic—Shower curtains, tablecloths	20 - 30
Rubber-backed rugs	40 - 50
Olefin, polypropylene, sheer nylon	10 - 20

\*(Minutes). Reset cycle to complete drying if needed.

**When using No Heat Fluff**

- Check that coverings are securely stitched.
- Shake and fluff pillows by hand periodically during cycle.
- Dry item completely. Foam rubber pillows are slow to dry.

## Drying Rack Option

Use the Drying Rack to dry items such as sweaters and pillows without tumbling. The drum turns, but the rack does not move.

If your model does not have a drying rack, you may be able to purchase one for your model. To find out whether your model allows drying rack usage and for information on ordering, please refer to the front page of the manual or contact the dealer from whom you purchased your dryer.

**NOTE:** The rack must be removed for normal tumbling. Do not use the automatic cycle with the drying rack.

### To use the drying rack

1. Place drying rack in dryer.

**Style 1:** Your drying rack has front legs. Slide rear pegs into the dimples on the back wall of the dryer. Lower the front legs to rest on the dryer opening.

**Style 2:** Your drying rack does not have front legs. Do not remove the lint screen. Slide drying rack over the bottom of the dryer door opening. Push down to secure rack on frame.

2. Put wet items on top of rack, leaving space between items. Do not allow items to hang over the edge of the rack. Close the door.
3. Select a timed drying cycle and temperature, or an air cycle. Items containing foam, rubber, or plastic must be dried on a clothesline or by using an air cycle. Refer to the following table.
4. Start the dryer. Reset cycle to complete drying, if needed.


Rack Dry	Cycle	Temp	Time
Washable wool items (block to shape, lay flat on rack)	Timed Drying	Low	60 min.
Stuffed toys/pillows (cotton or polyester filled)	Timed Drying	Low	60 min.
Stuffed toys/pillows Foam rubber filled	Air (no heat)	N/A	90 min.

## DRYER CARE

### Cleaning the Dryer Location

Keep dryer area clear and free from items that would obstruct the flow of combustion and ventilation air.

**⚠ WARNING**



**Explosion Hazard**

**Keep flammable materials and vapors, such as gasoline, away from dryer.**

**Place dryer at least 18 inches (46 cm) above the floor for a garage installation.**

**Failure to do so can result in death, explosion, or fire.**

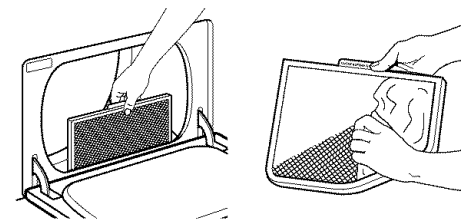
### Cleaning the Lint Screen

#### Every load cleaning

The lint screen is located in the door of the dryer. Clean it before each load. A screen blocked by lint can increase drying time.

#### To clean

1. Pull the lint screen straight up. Roll lint off the screen with your fingers. Do not rinse or wash screen to remove lint. Wet lint is hard to remove.



2. Push the lint screen firmly back into place.

#### IMPORTANT:

- Do not run the dryer with the lint screen loose, damaged, blocked, or missing. Doing so can cause overheating and damage to both the dryer and fabrics.
- If lint falls off the screen into the dryer during removal, check the exhaust hood and remove the lint. See "Checking Your Vent."

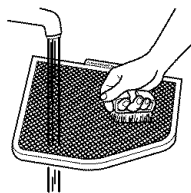
**As needed cleaning**

Laundry detergent and fabric softener residue can build up on the lint screen. This buildup can cause longer drying times for your clothes, or cause the dryer to stop before your load is completely dry. The screen is probably clogged if lint falls off the screen.

Clean the lint screen with a nylon brush every 6 months or more frequently if it becomes clogged due to a residue buildup.

**To wash**

1. Roll lint off the screen with your fingers.
2. Wet both sides of lint screen with hot water.
3. Wet a nylon brush with hot water and liquid detergent. Scrub lint screen with the brush to remove residue buildup.



4. Rinse screen with hot water.
5. Thoroughly dry lint screen with a clean towel. Replace screen in dryer.

---

## Cleaning the Dryer Interior

**To clean dryer drum**

1. Make a paste with powdered laundry detergent and very warm water.
2. Apply paste to a soft cloth.

**OR**

Apply a liquid, nonflammable household cleaner to the stained area and rub with a soft cloth until all excess dye is removed.

3. Wipe drum thoroughly with a damp cloth.
4. Tumble a load of clean cloths or towels to dry drum.

**NOTE:** Garments that contain unstable dyes, such as denim blue jeans or brightly colored cotton items, may discolor the dryer interior. These stains are not harmful to your dryer and will not stain future loads of clothes. Dry unstable dye items inside out to avoid transfer of dye.

---

## Removing Accumulated Lint

**From Inside the Dryer Cabinet**

Lint should be removed every 2 years, or more often, depending on dryer usage. Cleaning should be done by a qualified person.

**From the Exhaust Vent**

Lint should be removed every 2 years, or more often, depending on dryer usage.

---

## Vacation and Moving Care

**Vacation care**

Operate your dryer only when you are at home. If you will be on vacation or not using your dryer for an extended period of time, you should:

1. Unplug dryer or disconnect power.
2. Clean lint screen. See "Cleaning the Lint Screen."

**Moving care**

1. Unplug the power supply cord.
2. Make sure leveling legs are secure in dryer base.
3. Use masking tape to secure dryer door.

# TROUBLESHOOTING

First try the solutions suggested here and possibly avoid the cost of a service call...

## Dryer Operation

### Dryer will not run

- **Has a household fuse blown, or has a circuit breaker tripped?**  
Check that the fuse is intact and tight, or that a circuit breaker has not tripped. If the problem continues, contact a qualified technician.
- **Is the correct power supply available?**  
Electric dryers require 230 volt power supply. Check with a qualified electrician.
- **Was a regular fuse used?**  
Use a time-delay fuse.
- **Is the dryer door firmly closed?**
- **Was the Start button firmly pressed?**

### No heat

- **Has a household fuse blown, or has a circuit breaker tripped?**  
Check that the fuse is intact and tight, or that a circuit breaker has not tripped. If the problem continues, contact a qualified technician.

### Unusual sounds

- **Has the dryer had a period of non-use?**  
If the dryer hasn't been used for a while, there may be a thumping sound during the first few minutes of operation.
- **Is a coin, button, or paper clip caught between the drum and front or rear of the dryer?**  
Check the front and rear edges of the drum for small objects. Clean out pockets before laundering.
- **Are the four legs installed, and is the dryer level front to back and side to side?**  
The dryer may vibrate if not properly installed. See the Installation Instructions.
- **Is the clothing knotted or balled up?**  
When balled up, the load will bounce, causing the dryer to vibrate. Separate the load items and restart the dryer.

### Timer does not noticeably advance


- **Is the dryer set to Timed or Air Dry?**  
The timer moves slowly and continuously for the time setting.
- **Is the dryer set to Automatic Drying?**  
The timer moves only when the clothing is mostly dry. See "How Automatic Drying Works" in "Dryer Use."

## Dryer Results

### Clothes are not drying satisfactorily, drying times are too long, or load is too hot

- **Is the lint screen clogged with lint?**  
Lint screen should be cleaned before each load.

**⚠ WARNING**



**Fire Hazard**

**Use a heavy metal vent.**

**Do not use a plastic vent.**

**Do not use a metal foil vent.**

**Failure to follow these instructions can result in death or fire.**

- **Is the exhaust vent or outside exhaust hood clogged with lint, restricting air movement?**  
Run the dryer for 5-10 minutes. Hold your hand under the outside exhaust hood to check air movement. If you do not feel air movement, clean exhaust system of lint or replace exhaust vent with heavy metal or flexible metal vent. See the Installation Instructions.
- **Are fabric softener sheets blocking the grille?**  
Use only one fabric softener sheet, and use it only once.
- **Is the exhaust vent the correct length?**  
Check that the exhaust vent is not too long or has too many turns. Long venting will increase drying times. See the Installation Instructions.
- **Is the exhaust vent diameter the correct size?**  
Use 10.2 cm (4") diameter vent material.

## ⚠ WARNING



### Explosion Hazard

Keep flammable materials and vapors, such as gasoline, away from dryer.

Place dryer at least 18 inches (46 cm) above the floor for a garage installation.

Failure to do so can result in death, explosion, or fire.

- **Is the dryer located in a room with temperature below 7°F (45°C)?**  
Proper operation of dryer cycles requires temperatures above 7°F (45°C).
- **Is the dryer located in a closet?**  
Closet doors must have ventilation openings at the top and bottom of the door. Sides and front of dryer require a minimum of 2.5 cm (1") of airspace, and the rear of the dryer requires 12.7 cm (5"). See the Installation Instructions.
- **Has an air dry cycle been selected?**  
Select the right cycle for the types of garments being dried.
- **Is the load too large and heavy to dry quickly?**  
Separate the load to tumble freely.

### Cycle time too short

## ⚠ WARNING

### Excessive Weight Hazard

Use two or more people to move and install dryer.

Failure to do so can result in back or other injury.

- **Is the automatic cycle ending early?**  
The load may not be contacting the sensor strips. Level the dryer.  
Change the dryness level setting on Automatic Cycles. Increasing or decreasing the dryness level will change the amount of drying time in a cycle.

### Lint on load

- **Is the lint screen clogged?**  
Lint screen should be cleaned before each load.

### Stains on load or drum

- **Was dryer fabric softener properly used?**  
Add dryer fabric softener sheets at the beginning of the cycle. Fabric softener sheets added to a partially dried load can stain your garments.  
Drum stains are caused by dyes in clothing (usually blue jeans). This will not transfer to other clothing.

### Loads are wrinkled

- **Was the load removed from dryer at the end of the cycle?**
- **Was the dryer overloaded?**  
Dry smaller loads that can tumble freely.

### Odors

- **Have you recently been painting, staining or varnishing in the area where your dryer is located?**  
If so, ventilate the area. When the odors or fumes are gone from the area, rewash and dry the clothing.
- **Is the dryer being used for the first time?**  
The new electric heating element may have an odor. The odor will be gone after the first cycle.

## ASSISTANCE OR SERVICE

Before calling for assistance or service, please check "Troubleshooting." It may save you the cost of a service call. If you still need help, contact the dealer from whom you purchased the dryer, or a Maytag designated service company.

When calling, please know the purchase date and the complete model and serial number of your appliance. This information will help us to better respond to your request.

### If you need replacement parts

If you need to order replacement parts, we recommend that you only use FSP®. FSP® replacement parts will fit right and work right because they are made with the same precision used to build every new MAYTAG® appliance.

### To locate FSP® replacement parts in your area:

Contact the dealer from whom you purchased the dryer, or a Whirlpool designated service company.

# SEGURIDAD DE LA SECADORA

## Su seguridad y la seguridad de los demás es muy importante.

Hemos incluido muchos mensajes importantes de seguridad en este manual y en su electrodoméstico. Lea y obedezca siempre todos los mensajes de seguridad.



Este es el símbolo de advertencia de seguridad.

Este símbolo le llama la atención sobre peligros potenciales que pueden ocasionar la muerte o una lesión a usted y a los demás.

Todos los mensajes de seguridad irán a continuación del símbolo de advertencia de seguridad y de la palabra "PELIGRO" o "ADVERTENCIA". Estas palabras significan:

**▲ PELIGRO**

**Si no sigue las instrucciones de inmediato, usted puede morir o sufrir una lesión grave.**

**▲ ADVERTENCIA**

**Si no sigue las instrucciones, usted puede morir o sufrir una lesión grave.**

Todos los mensajes de seguridad le dirán el peligro potencial, le dirán cómo reducir las posibilidades de sufrir una lesión y lo que puede suceder si no se siguen las instrucciones.

## INSTRUCCIONES IMPORTANTES DE SEGURIDAD

**ADVERTENCIA:** A fin de reducir el riesgo de incendio, descarga eléctrica o de daño a las personas que usen la secadora, deben seguirse las precauciones básicas, incluidas las siguientes:

- Lea todas las instrucciones antes de usar la secadora.
- Las secadoras a gas deberán ser instaladas en una habitación solamente si la misma satisface los requisitos adecuados de ventilación especificados en las normas nacionales de instalación. Asegúrese de que la habitación donde esté la secadora tenga un buen suministro de aire para la combustión de gas y/o el funcionamiento de la secadora. Cuando la secadora se esté usando deberá abrirse una ventana o algún medio de ventilación equivalente en la habitación donde esté en uso (entre las formas de apertura equivalentes se incluyen una persiana ajustable, panel con bisagras u otro medio de ventilación que se abra directamente al aire exterior).
- Mantenga un espacio mínimo de por lo menos 10 cm. (4 pulgadas) entre la parte posterior de la secadora y cualquier pared.
- El funcionamiento de este aparato puede afectar al funcionamiento de otros tipos de aparatos a gas que obtienen el suministro de aire para la combustión segura desde la misma habitación. Debe haber una ventilación adecuada para reemplazar el aire de salida y de esta manera evitar el retorno de flujo de gases en la habitación proveniente de aparatos que quemen otros combustibles, incluyendo fuegos abiertos, cuando haga funcionar la secadora con rotación. Si tiene dudas, consulte a los fabricantes de los electrodomésticos.
- No obstruya el suministro de aire a la secadora (vea las Instrucciones de instalación para los espacios mínimos).

**GUARDE ESTAS INSTRUCCIONES**

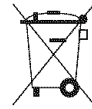
## INSTRUCCIONES IMPORTANTES DE SEGURIDAD

- No coloque los objetos expuestos a aceite para cocinar en su secadora. Los objetos contaminados con aceites para cocinar pueden contribuir a una reacción química que podría causar que una carga se inflame.
- Los artículos que se hayan ensuciado con sustancias tales como aceite de cocina, acetona, alcohol, gasolina, queroseno, quitamanchas, aguarrás, ceras y quita cera, deberán lavarse en agua caliente con una cantidad extra de detergente antes de secarse en la secadora. Estos artículos pueden despedir vapores que pueden encenderse o causar una explosión.
- No permita que jueguen los niños sobre o dentro de la secadora. Es necesaria la cuidadosa vigilancia de los niños cada vez que se use la secadora cerca de ellos.
- Quite la puerta de la secadora del compartimiento de secado antes de ponerla fuera de funcionamiento o de descartarla.
- No introduzca las manos en la secadora cuando el tambor está en movimiento. Para su seguridad se ha encajado un interruptor de puerta.
- No instale o almacene esta secadora donde estará expuesta a la intemperie.
- No trate de forzar los controles.
- No continúe usando este aparato si parece estar defectuoso.
- No repare o reemplace ninguna pieza de la secadora ni trate de repararla a menos que esto se recomiende específicamente en este Manual de uso y cuidado. La reparación y el servicio deben ser hechos solamente por personal de servicio competente.
- No utilice suavizantes de telas o productos para eliminar la electricidad estática de las prendas a menos que lo recomiende el fabricante del suavizante de telas o del producto en uso. Siga sus instrucciones.
- Limpie el filtro de pelusa antes o después de cada carga. No ponga a funcionar la secadora sin el filtro de pelusa en su lugar.
- Mantenga el área alrededor de la apertura de ventilación y entrada y las áreas adyacentes a esta apertura sin pelusa, polvo o tierra.
- La parte interior de la secadora y el conducto de escape se deben limpiar periódicamente. Esta limpieza la debe llevar a cabo un representante de servicio calificado.
- Vea las instrucciones de instalación para los requisitos de conexión a tierra.
- Si se ha dañado el cable de suministro de energía, deberá ser reemplazado por el fabricante, el agente de servicio o una persona similarmente calificada con el fin de evitar riesgos.
- No seque en esta secadora artículos que no hayan sido lavados.
- Los artículos tales como gomaespuma (espuma de látex), gorros de baño, telas resistentes al agua, artículos con reverso de goma y prendas o almohadas rellenas de gomaespuma, no deberán secarse en la secadora.
- La parte final de un ciclo de rotación en la secadora ocurre sin calor (ciclo de enfriamiento) para asegurarse de que los artículos se dejen a una temperatura que asegure que no se dañarán.

**ADVERTENCIA:** Nunca detenga una secadora que esté girando antes de que se termine el ciclo de secado, a menos que todos los artículos se hayan sacado y separado, para que se disipe el calor.

**GUARDE ESTAS INSTRUCCIONES**

# ELIMINACIÓN DE LA SECADORA



Este electrodoméstico está marcado de acuerdo con la directiva europea 2002/96/EC sobre Residuos de Equipos Eléctricos y Electrónicos (Waste Electrical and Electronic Equipment - WEEE).

Asegurándose de que este producto será eliminado correctamente, usted ayudará a prevenir consecuencias negativas potenciales para el medio ambiente y la salud humana, que podrían causarse por el manejo inapropiado de este producto.

El símbolo sobre el producto, o en los documentos que acompañan al producto, indica que este electrodoméstico no puede tratarse como basura doméstica. Contrariamente, deberá ser entregado al punto de recogida aplicable para el reciclado de equipos eléctricos y electrónicos.

La eliminación debe llevarse a cabo de acuerdo con las regulaciones ambientales locales para la eliminación de basura.

Para información más detallada acerca del tratamiento, recuperación y reciclado de este producto, por favor, contacte su oficina municipal local, su servicio de eliminación de basura doméstica o la tienda donde compró el producto.

# INSTRUCCIONES DE INSTALACIÓN

## Herramientas y piezas

Reúna las herramientas y piezas necesarias antes de comenzar la instalación. Lea y siga las instrucciones provistas con cualquiera de las herramientas nombradas a continuación.

- Destornillador de hoja plana
- Destornillador Phillips #2
- Llave de tuercas ajustable que se abra a 2,5 cm (1") o una llave de cubo de cabeza hexagonal (para regular las patas de la secadora)
- Tijeras cortachapas (instalaciones del nuevo conducto de escape)
- Nivel
- Abrazaderas para conducto
- Pistola y masilla (para instalar el nuevo conducto de escape)
- Cinta para medir

### Piezas suministradas

Retire los paquetes de piezas del tambor de la secadora. Verifique que estén todas las piezas.



4 patas niveladoras

### Piezas necesarias

Verifique los códigos locales; verifique el suministro eléctrico existente y la ventilación. Vea "Requisitos eléctricos" y "Requisitos de ventilación" antes de comprar las piezas.

## Requisitos de ubicación

**⚠ ADVERTENCIA**



**Peligro de Explosión**

**Mantenga los materiales y vapores inflamables, como la gasolina, lejos de la secadora.**

**Coloque la secadora a un mínimo de 46 cm sobre el suelo para la instalación en un garaje.**

**No seguir estas instrucciones puede ocasionar la muerte, explosión o incendio.**

### Usted necesitará

- Una ubicación que permita una instalación adecuada del conducto de escape. Consulte “Requisitos de ventilación”.
- Un circuito separado de 30 amperios.
- Un enchufe con conexión a tierra ubicado a unos 61 cm (2 pies) de cualquiera de los lados de la secadora. Vea “Requisitos eléctricos”.
- Un suelo resistente para soportar la secadora con un peso total (secadora y carga) de 90,7 kg (200 lbs). También se debe considerar el peso de otro electrodoméstico que le acompañe.
- Un suelo nivelado con una inclinación máxima de 2,5 cm (1") debajo de la secadora. (Si la inclinación es mayor que 2,5 cm [1"], instale el Juego de extensión de patas de la secadora, Pieza No. 279810.) La ropa quizás no rote adecuadamente y los modelos con ciclos del sensor automático posiblemente no funcionen debidamente si la secadora no está nivelada.

No ponga a funcionar su secadora a temperaturas inferiores a 7°C (45°F). A temperaturas inferiores, es posible que la secadora no se apague al final de un ciclo automático. Los tiempos de secado pueden prolongarse.

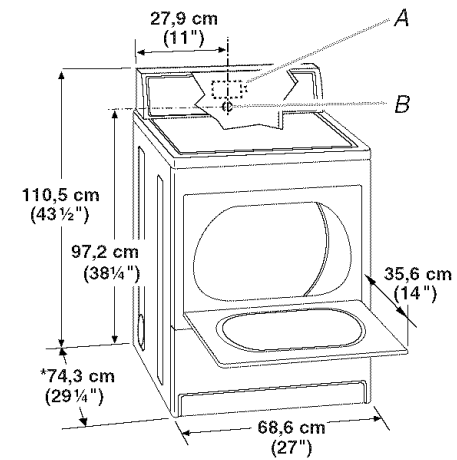
No debe instalarse ni guardarse la secadora en un área en donde pueda estar expuesta al agua y/o a la intemperie.

Verifique los requisitos de los códigos. Algunos códigos limitan, o no permiten, la instalación de la secadora en garajes, armarios, casas rodantes o en dormitorios. Póngase en contacto con el inspector de construcciones de su localidad.

### Espacios para la instalación

La ubicación debe ser lo suficientemente amplia para poder abrir completamente la puerta de la secadora.

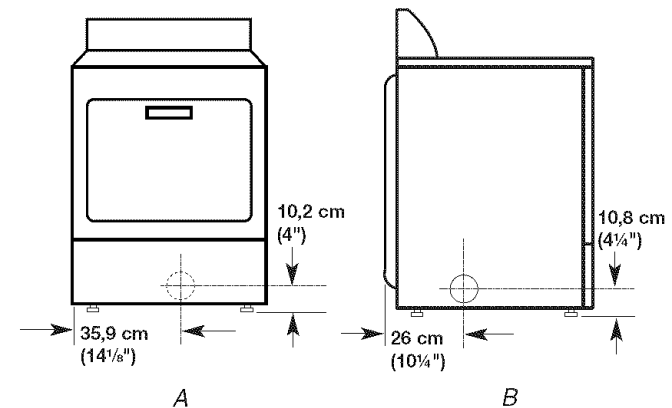
### Dimensiones de la secadora



A. Tapa del bloque de terminal  
B. Protector del cable de suministro eléctrico

\*La mayoría de las instalaciones requieren un espacio mínimo de 12,7 cm (5") detrás de la secadora para acomodar el conducto de escape con codo. Vea “Requisitos de ventilación”.

### Espacio para la ventilación

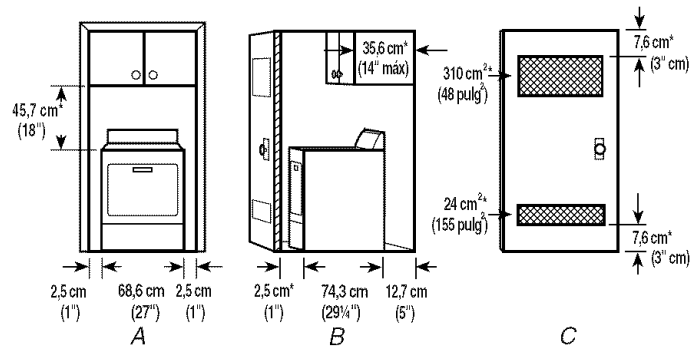


A. Ventilación en la parte posterior  
B. Ventilación lateral a la izquierda o a la derecha

### Espacio para la instalación en un lugar empotrado o en un armario

Se recomiendan las siguientes medidas de espacio para esta secadora. Esta secadora ha sido puesta a prueba para espacios de 0 cm (0") en los costados y en la parte posterior. El espacio recomendado debe ser considerado por los siguientes motivos:

- Debe considerarse el espacio adicional para facilitar la instalación y el servicio técnico.
- Se podrían necesitar espacios libres adicionales para las molduras de la pared, puerta y suelo.
- Se debe considerar agregar espacio adicional en todos los lados de la secadora para reducir la transferencia de ruido.
- Para la instalación en armario, con una puerta, se requieren aperturas de ventilación mínimas en la parte superior e inferior de la puerta. Se aceptan puertas tipo persianas con aperturas de ventilación equivalentes.
- También se debe considerar espacio adicional para otro electrodoméstico que le acompañe.



A. Lugar empotrado

B. Vista lateral - armario o lugar confinado

C. Puerta del armario con orificios de ventilación

\*Espacio adicional recomendado

## Requisitos eléctricos

**IMPORTANTE:** Observe todos los códigos y reglamentos aplicables.

### Usted es responsable de

- Ponerse en contacto con un instalador eléctrico calificado para asegurarse de que la instalación eléctrica sea adecuada y de conformidad con todos los códigos y ordenanzas locales.
- Proveer el suministro eléctrico requerido de 2 alambres, monofásico, de 230 voltios, 50 Hz, CA solamente, en un circuito separado de 30 amperios. Se recomienda un fusible retardado o un cortacircuitos. Conecte la secadora a un circuito derivado individual.

**NOTA:** De acuerdo a la Directiva EMC Europea (89/336/EEC) la impedancia del sistema de suministro de electricidad máxima a la cual la secadora eléctrica debe estar conectada es 0,302 Ohm + j0,189 Ohm.

## ⚠ ADVERTENCIA



### Peligro de descarga eléctrica

Se requiere una conexión eléctrica a tierra para esta secadora.

No realice la conexión a tierra conectando con una tubería de gas.

No cambie la clavija del cable de suministro de energía. Si no cabe en el enchufe, contrate a un electricista calificado para instalar un enchufe adecuado.

No tenga un fusible en el circuito neutro o de conexión a tierra.

No use un cable eléctrico de extensión con esta secadora.

Compruebe con un electricista calificado que la secadora está conectada a tierra como es debido.

No conecte el extremo de la clavija del cable de suministro eléctrico a un enchufe activado, antes de conectar el cable de suministro eléctrico al terminal de la secadora.

No vuelva a usar un cable de suministro eléctrico viejo.

No seguir estas instrucciones puede ocasionar la muerte, incendio o lesiones graves.

- Para reducir al mínimo el peligro de posibles descargas eléctricas, el cable debe ser enchufado en un enchufe apropiado. Cerciórese que haya un enchufe de pared dentro del alcance de la ubicación final de la secadora.
- Enchufe el cable de suministro en un enchufe con conexión a tierra. Deberá ser conectado a un enchufe de suministro eléctrico con el voltaje que se muestra en la placa de clasificación. La capacidad mínima del fusible de suministro deberá ser de 16A. La secadora deberá colocarse de manera que el enchufe esté accesible. Si no se usa el enchufe provisto, la conexión eléctrica deberá llevarse a cabo por parte de un electricista capacitado, según los códigos locales o nacionales.

- Si se ha dañado el cable de suministro, deberá reemplazarse con un cable especialmente terminado, por parte de un agente de servicio autorizado u otra persona similarmente calificada.
- No use un adaptador.
- Si los códigos lo permiten y se emplea una ligadura de conexión a tierra adicional, es recomendable que un electricista competente determine si la trayectoria de conexión a tierra de la placa es adecuada.

Para obtener información sobre la compra de piezas, vea la sección “Ayuda o servicio técnico”.

### INSTRUCCIONES DE PUESTA A TIERRA

- Para la conexión de una secadora mediante cable eléctrico conectado a tierra:  
Esta secadora debe estar conectada a tierra. En el caso de funcionamiento defectuoso o avería, la conexión a tierra reducirá el riesgo de descarga eléctrica al proporcionar una vía de menor resistencia para la corriente eléctrica. La clavija del cable de suministro eléctrico debe conectarse a un enchufe apropiado, que esté debidamente instalado y conectado a tierra de acuerdo con todos los códigos y ordenanzas locales.

**ADVERTENCIA:** La conexión inadecuada del conductor a tierra del equipo puede provocar riesgo de descarga eléctrica. Si no está seguro de que la conexión a tierra de la secadora es la adecuada, verifíquela con un electricista o representante o personal de servicio cualificado. No modifique la clavija del cable de suministro eléctrico provisto con la secadora: si no cabe en el enchufe, contrate a un electricista cualificado para instalar un enchufe adecuado.

**GUARDE ESTAS INSTRUCCIONES**

## Requisitos de ventilación

### ⚠ ADVERTENCIA



#### Peligro de Incendio

**Use un conducto de escape de metal pesado.**

**No use un conducto de escape de plástico.**

**No use un conducto de escape de aluminio.**

**No seguir estas instrucciones puede ocasionar la muerte o incendio.**

**ADVERTENCIA:** Para reducir el riesgo de incendio, esta secadora DEBE TENER SALIDA DE VENTILACIÓN AL EXTERIOR.

**IMPORTANTE:** Observe todas las normas y ordenanzas vigentes.

El conducto de escape de la secadora no debe conectarse en ningún conducto de escape de gas, chimenea, pared, techo o el espacio oculto de un edificio.

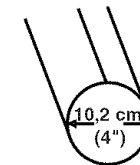
#### Si usa un sistema de ventilación existente

- Limpie la pelusa que está en toda la longitud del sistema y asegúrese de que la capota de ventilación no esté obstruida con pelusa.
- Reemplace cualquier conducto de escape de plástico o de hoja de metal por uno de metal pesado rígido o flexible.
- Vuelva a consultar el cuadro del sistema de ventilación. Modifique el sistema de ventilación existente si fuera necesario para lograr el mejor rendimiento de la secadora.

#### Si éste es un nuevo sistema de ventilación

##### Material de ventilación

- Use un conducto de escape de metal pesado. No use conducto de escape de plástico o de hoja de metal.
- Se debe usar un conducto de escape de metal pesado de 10,2 cm (4") y abrazaderas.



Conducto de escape de metal pesado de 10,2 cm (4")

Los productos de ventilación pueden adquirirse con su distribuidor o llamando a Maytag Services. Para más información, vea la sección "Ayuda o servicio técnico".

### Conducto de escape de metal rígido

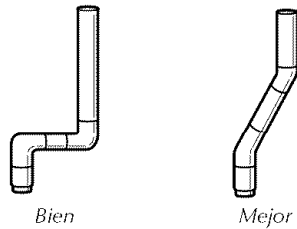
- Para un óptimo rendimiento de secado, se recomiendan conductos de escape de metal rígido.
- Se recomienda el conducto de escape de metal rígido para evitar que se aplaste o se tuerza.

### Conducto de escape de metal flexible

- Los conductos de escape de metal flexible son aceptables únicamente si se puede acceder a los mismos para limpiarlos.
- El conducto de escape de metal flexible debe extenderse y sostenerse por completo cuando la secadora está en su ubicación final.
- Quite el exceso del conducto de metal flexible para evitar que se doble y se tuerza, lo cual podría dar lugar a una reducción del flujo de aire y a un rendimiento insuficiente.
- No instale el conducto de escape de metal flexible en paredes, techos o suelos confinados.

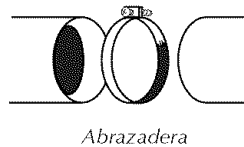
### Codos

Los codos de 45° proveen un mejor flujo de aire que los codos de 90°.



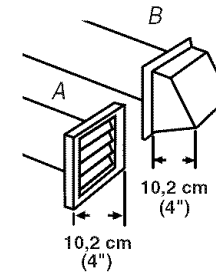
### Abrazaderas

- Utilice abrazaderas para sellar todas las juntas.
- No debe conectarse ni asegurarse el conducto de escape con tornillos ni con ningún otro dispositivo de sujeción que se extienda hacia el interior de dicho conducto. No utilice cinta adhesiva.



### Ventilación

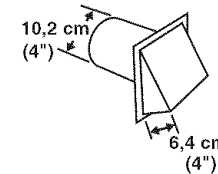
Los estilos recomendados de capotas de ventilación se ilustran aquí.



A. Estilo de capota con ventilación tipo persiana

B. Estilo de capota con ventilación tipo caja

El estilo de capota de ventilación angular (que se ilustra aquí) es aceptable.



- Una capota de ventilación debe tapar el conducto de escape para evitar la entrada de roedores e insectos a la casa.
- La capota de ventilación debe estar por lo menos a 30,5 cm (12") de distancia del suelo o de cualquier objeto que pudiese estar en el trayecto del conducto de escape (como flores, rocas o arbustos, límite de nieve, etc.).
- No use capotas de ventilación con pestillos magnéticos.

**La ventilación inadecuada puede ocasionar la acumulación de humedad y pelusa en la casa, lo cual puede dar como resultado:**

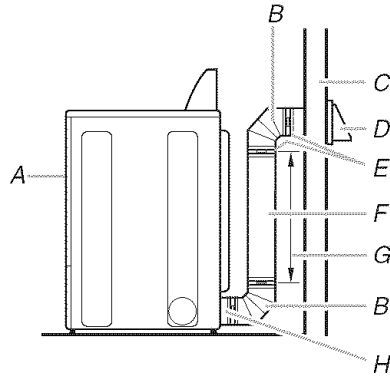
- Daños de humedad en la carpintería, muebles, pintura, empapelado, alfombras, etc.
- Problemas en la limpieza de la casa y de salud.

# Planificación del sistema de ventilación

## Seleccione su tipo de instalación de ventilación

### Instalaciones recomendadas de escape

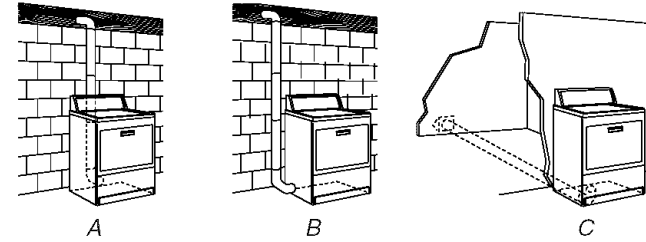
Las instalaciones típicas tienen la ventilación en la parte posterior de la secadora. Otras instalaciones son posibles.



- |                          |  |
|--------------------------|--|
| A. Secadora              | F. Conducto de metal rígido o de metal flexible                      |
| B. Codo                  | G. Longitud necesaria del conducto de escape para conectar los codos |
| C. Pared                 | H. Salida de ventilación   |
| D. Capota de ventilación |  |
| E. Abrazaderas           |  |

### Instalaciones opcionales de escape

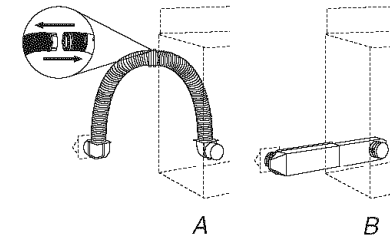
El sistema de ventilación de esta secadora puede modificarse hacia el lado derecho, el lado izquierdo o por la parte inferior. Si lo prefiere, póngase en contacto con su distribuidor local para hacer convertir su secadora.



- A. Instalación estándar con ventilación en la parte posterior y desviación  
 B. Instalación de ventilación lateral a la izquierda o a la derecha  
 C. Instalación con ventilación inferior

### Instalaciones alternas para espacios limitados

Los sistemas de ventilación vienen en una amplia gama. Seleccione el tipo más apropiado para su instalación. A continuación se ilustran dos tipos de instalación para espacios limitados. Consulte las instrucciones del fabricante.



- A. Instalación en la parte superior (también está disponible con un codo de desviación)  
 B. Instalación de periscopio

**NOTA:** Se pueden adquirir los siguientes juegos para instalaciones alternas en espacios limitados. Para pedir las piezas, vea la sección "Ayuda o servicio técnico".

- Instalación en la parte superior:  
Pieza número 4396028
- Instalación de periscopio (Para usar si hay discordancia entre el conducto de escape de la pared y el conducto de ventilación de la secadora):  
Pieza número 4396037 - Discordancia de 0 cm (0") a 45,72 cm (18").  
Pieza número 4396011 - Discordancia de 45,72 cm (18") a 73,66 cm (29").  
Pieza número 4396014 - Discordancia de 73,66 cm (29") a 127 cm (50").

## ⚠ ADVERTENCIA



### Peligro de Incendio

**Cubra los orificios de escape no usados con el juego siguiente:**

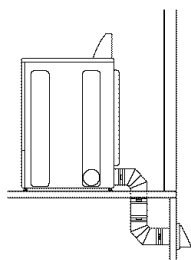
**279818 (blanco)**

**Póngase en contacto con su distribuidor local.**

**No seguir estas instrucciones puede ocasionar la muerte, incendio, descarga eléctrica, o lesiones graves.**

## Previsiones especiales para las instalaciones en casas rodantes

El conducto de escape deberá sujetarse firmemente en un lugar no inflamable de la estructura de la casa rodante y no debe terminar debajo de la casa rodante. El conducto de escape debe terminar en el exterior.



### Determinación de la vía del conducto de escape

- Seleccione la vía que proporcione el trayecto más recto y directo al exterior.
- Planifique la instalación a fin de usar el menor número posible de codos y vueltas.
- Cuando use los codos o haga vueltas, deje todo el espacio que sea posible.
- Doble el conducto gradualmente para evitar torceduras.
- Use la menor cantidad posible de vueltas de 90°.

### Determinación de la longitud del conducto de escape y de los codos necesarios para obtener un óptimo rendimiento de secado

- Use el cuadro del sistema de ventilación a continuación para determinar el tipo de material para conducto y la combinación de capota aceptable a usar.

**NOTA:** No use tendidos de conducto de escape más largos que los especificados en el cuadro del sistema de ventilación. Los sistemas de ventilación más largos que los especificados:

- Acortarán la vida de la secadora.
- Reducirán el rendimiento, dando lugar a tiempos de secado más largos y un aumento en el consumo de energía.

El cuadro del sistema de ventilación indica los requisitos de ventilación que le ayudarán a alcanzar el mejor rendimiento de secado.

## Cuadro del sistema de ventilación

**NOTA:** Las instalaciones de ventilación laterales e inferiores tienen una vuelta de 90° dentro de la secadora. Para determinar la longitud máxima de ventilación, agregue una vuelta de 90° al cuadro.

No. de vueltas de 90° o codos	Tipo de conducto	Capotas de ventilación de caja o tipo persianas	Capotas angulares
0	Metal rígido	20 m (64 pies)	17,7 m (58 pies)
	Metal flexible	11 m (36 pies)	8,5 m (28 pies)
1	Metal rígido	16,5 m (54 pies)	14,6 m (48 pies)
	Metal flexible	9,4 m (31 pies)	7 m (23 pies)
2	Metal rígido	13,4 m (44 pies)	11,6 m (38 pies)
	Metal flexible	8,2 m (27 pies)	5,8 m (19 pies)
3	Metal rígido	10,7 m (35 pies)	8,8 m (29 pies)
	Metal flexible	7,6 m (25 pies)	5,2 m (17 pies)
4	Metal rígido	8,2 m (27 pies)	6,4 m (21 pies)
	Metal flexible	7 m (23 pies)	4,6 m (15 pies)

## Instalación del sistema de ventilación

1. Instale la capota de ventilación. Emplee una masilla para sellar la apertura de la pared externa alrededor de la capota de ventilación.
2. Conecte el conducto de escape a la capota de ventilación. El conducto de escape debe encajar dentro de la capota de ventilación. Asegure el conducto de escape a la capota de ventilación con una abrazadera de 10,2 cm (4").
3. Extienda el conducto de escape a la ubicación de la secadora. Use la trayectoria más recta posible. Vea "Determinación de la vía del conducto de escape" en "Planificación del sistema de ventilación". Evite giros de 90°. Use abrazaderas para sellar todas las juntas. No use cinta adhesiva para conductos, tornillos ni otros dispositivos de fijación que se extiendan dentro del conducto de escape, para fijar el mismo.

## Instalación de las patas niveladoras

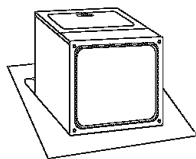
### **⚠️ ADVERTENCIA**

#### **Peligro de Peso Excesivo**

**Son necesarias dos o más personas para mover e instalar la secadora.**

**No seguir esta instrucción puede ocasionar una lesión en la espalda u otro tipo de lesiones.**

1. Para proteger el suelo, use un pedazo de cartón grande y plano del embalaje de la secadora. Coloque el cartón debajo de todo el borde posterior de la secadora.
2. Sujete con firmeza el cuerpo de la secadora (no la parte superior o el panel de la consola). Coloque la secadora cuidadosamente sobre el cartón. Vea la ilustración.



3. Examine las patas niveladoras. Localice la marca en forma de diamante.



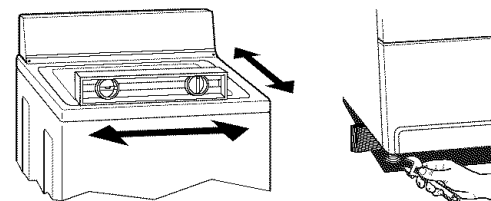
4. Atornille con la mano las patas en los orificios de las patas. Use una llave inglesa para terminar de atornillar las patas hasta que la marca en forma de diamante no quede visible.
5. Coloque un esquinale de cartón del embalaje de la secadora debajo de cada una de las 2 esquinas posteriores de la secadora. Ponga la secadora de pie. Deslice la secadora sobre los postes esquinales hasta que quede cerca de su ubicación final. Deje suficiente espacio para conectar el conducto de escape.

## Conexión del conducto de escape

1. Usando una abrazadera de 10,2 cm (4"), conecte el conducto de escape a la salida de aire de la secadora. Si se conecta a un conducto de escape existente, asegúrese de que el mismo esté limpio. El conducto de escape de la secadora debe encajar sobre la salida de aire de la secadora y dentro de la capota de ventilación. Cerciérese de que el conducto de escape esté asegurado a la capota de ventilación con una abrazadera de 10,2 cm (4").
2. Mueva la secadora a su posición final. No aplaste ni retuerza el conducto de escape.
3. (En modelos a gas) Asegúrese de que no hayan torceduras en la línea de gas flexible.
4. Una vez que la conexión del conducto de escape esté lista, quite los esquinales y el cartón.

## Nivelación de la secadora

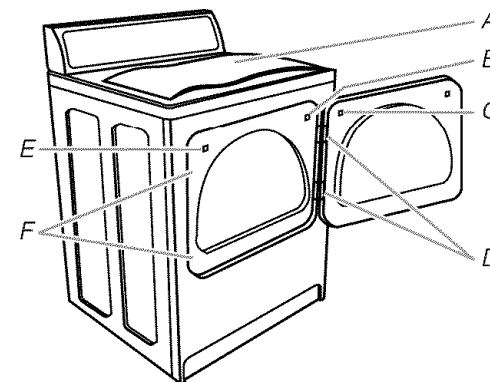
Revise la nivelación de la secadora. Verifique primero de lado a lado y luego del frente hacia atrás.



Si la secadora no está nivelada, apunte la secadora, usando un bloque de madera. Use una llave inglesa para regular las patas hacia arriba o hacia abajo y verifique nuevamente si la secadora está nivelada.

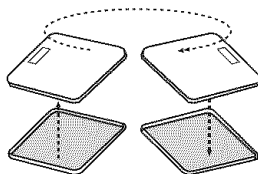
## Cómo invertir el sentido de apertura de la puerta (opcional)

Si lo desea, puede cambiar el sentido de apertura de la puerta del lado derecho al lado izquierdo.

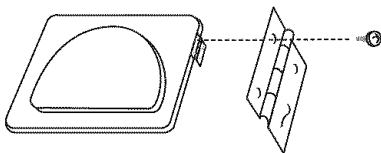


1. Coloque una toalla (A) encima de la secadora para proteger la superficie.
2. Abra la puerta de la secadora. Extraiga los tornillos inferiores de las bisagras del lado del cuerpo (D). Afloje (no extraiga) los tornillos superiores de las bisagras del lado del cuerpo.
3. Levante la puerta hasta que los tornillos superiores del cuerpo estén en la parte grande de la ranura de la bisagra. Tire de la puerta hacia adelante para separarla de los tornillos. Coloque la puerta (con el lado de la manilla hacia arriba) encima de la secadora. Extraiga los tornillos superiores del cuerpo.
4. Extraiga los tornillos que unen las bisagras con la puerta.
5. Extraiga los tornillos en la parte superior, inferior y lateral de la puerta (4 tornillos). Sosteniendo la puerta sobre la toalla en la secadora, sujete los costados de la parte exterior de la puerta y levante cuidadosamente para separarla de la parte interior de la puerta. No los separe utilizando una espátula. No tire del burlete de la puerta ni de los ganchos plásticos de la misma.

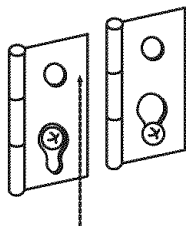
6. Asegúrese de mantener los espaciadores de cartón centrados entre las puertas. Vuelva a unir el panel exterior de la puerta al panel interior de la misma de manera que la manilla se encuentre en el lado de donde se acaban de extraer las bisagras.



7. Fije las bisagras de la puerta a la puerta de la secadora de manera que el orificio más grande quede en la parte inferior de la bisagra.



8. Extraiga el tope de la puerta (E) del cuerpo. Use un destornillador pequeño de hoja plana para quitar cuidadosamente los 4 tapones para los orificios de la bisagra (F) que se encuentran al lado izquierdo del cuerpo. Introduzca los tapones en los orificios de la bisagra en el lado derecho del cuerpo.
9. Introduzca los tornillos en los orificios inferiores en el lado izquierdo del cuerpo. Atorníllelos por la mitad. Coloque la puerta de tal forma que el extremo grande de la ranura de la bisagra esté sobre los tornillos. Deslice la puerta hacia arriba para que los tornillos estén en la parte de abajo de las ranuras. Apriete los tornillos. Introduzca y apriete los tornillos superiores en las bisagras.



10. Extraiga el tapón del tope de la puerta (B). Introduzca el tope de la puerta que usted quitó en el paso 8 en el orificio, y asegúrelo con un tornillo. Introduzca el tapón del tope de la puerta en el orificio original del tope de la puerta y asegúrelo con un tornillo.
11. Cierre la puerta y asegúrese de que el tope de la misma esté alineado con el gancho de la puerta (C). Si es necesario, deslice el gancho de la puerta hacia la izquierda o derecha dentro de la ranura a fin de ajustar la alineación.

## Complete la instalación

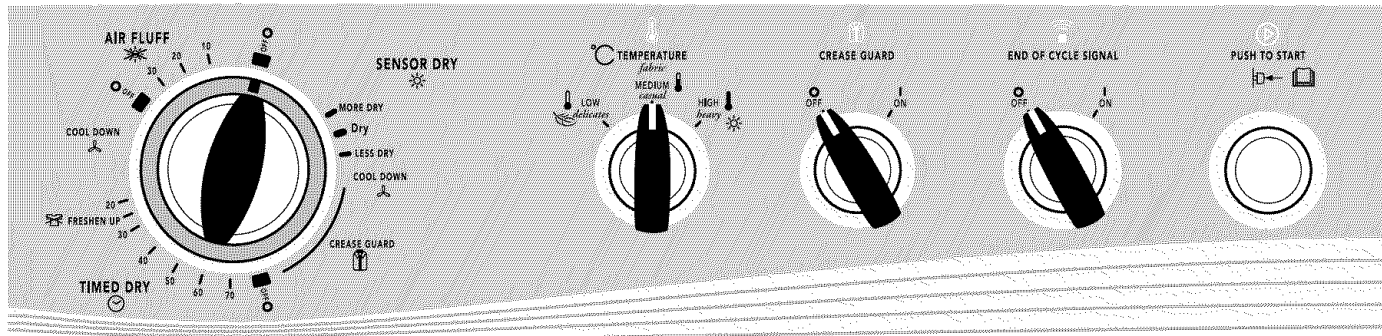
1. Compruebe que todas las piezas estén instaladas. Si hay alguna pieza extra, vuelva a revisar todos los pasos para ver cuál se omitió.
2. Verifique si tiene todas las herramientas.
3. Deshágase de todos los materiales de embalaje o recíclelos.
4. Revise la ubicación final de la secadora. Asegúrese de que el conducto de escape no esté aplastado o retorcido.
5. Verifique si la secadora está nivelada. Vea “Nivelación de la secadora”.
6. Conecte la secadora a un enchufe con dos orificios y conexión a tierra. Encienda la secadora.
7. Quite la película protectora azul que está en la consola y cualquier cinta adhesiva que haya quedado en la secadora.
8. Lea “Uso de la secadora”.
9. Limpie el interior del tambor de la secadora meticulosamente con un paño húmedo para quitar residuos de polvo.
10. Fije la secadora en un ciclo completo de calor (no en un ciclo de aire) por 20 minutos y póngala en marcha.

### Si la secadora no funciona, revise lo siguiente:

- Que los controles estén fijados en una posición de funcionamiento o encendido (“On”).
  - Que se haya presionado con firmeza el botón de puesta en marcha.
  - Que la secadora esté conectada a un enchufe y/o el suministro de energía eléctrica esté encendido.
  - Que el fusible de la casa esté intacto y ajustado, o que no se haya disparado el cortacircuitos.
  - Que la puerta de la secadora esté cerrada.
11. Después de que la secadora haya estado funcionando durante 5 minutos, abra la puerta y fíjese si está caliente. Si siente calor, cancele el ciclo y cierre la puerta.
- ### Si no está caliente, apague la secadora y revise lo siguiente:
- Compruebe que el fusible de la casa esté intacto y ajustado, o que no se haya disparado el cortacircuitos. Si el problema continúa, póngase en contacto con un técnico cualificado.

**NOTA:** Cuando la secadora se caliente por primera vez quizás sienta un olor a quemado. Este olor es común cuando se usa por primera vez el elemento de calefacción. El olor desaparecerá.

# USO DE LA SECADORA



## Puesta en marcha de su secadora

### ⚠ ADVERTENCIA



#### Peligro de Explosión

Mantenga los materiales y vapores inflamables, tales como la gasolina, alejados de la secadora.

No seque ningún artículo que haya tenido alguna vez cualquier sustancia inflamable (aún después de lavarlo).

No seguir estas instrucciones puede ocasionar la muerte, explosión o incendio.

### ⚠ ADVERTENCIA



#### Peligro de Incendio

Ninguna lavadora puede eliminar completamente el aceite.

No seque ningún artículo que haya tenido alguna vez cualquier tipo de aceite (incluyendo los aceites de cocina).

Los artículos que contengan espuma, hule o plástico deben secarse en un tendedero o usando un Ciclo de Aire.

No seguir estas instrucciones puede ocasionar la muerte o incendio.

**ADVERTENCIA:** A fin de reducir el riesgo de incendio, de descarga eléctrica o de daños personales, lea las INSTRUCCIONES IMPORTANTES DE SEGURIDAD antes de operar el aparato.

Este manual cubre varios modelos diferentes. Puede ser que su secadora no cuente con todos los ciclos y características descritos.

Antes de usar la secadora, limpie el tambor de la misma con un paño húmedo para quitar el polvo que se acumuló durante el almacenaje y envío.

1. Limpie el filtro de pelusa antes de cada carga. Vea "Limpieza del filtro de pelusa".
2. Coloque la ropa en la secadora de modo suelto y cierre la puerta. No llene en exceso la secadora. Deje suficiente espacio para que la ropa rote con libertad.
3. Gire el mando de Control de ciclos al ciclo recomendado para el tipo de carga que se va a secar. Use el ajuste Ahorro de energía (Energy Preferred) (\*) para secar la mayoría de las telas pesadas y de peso mediano.

4. Si su secadora tiene un selector de Temperatura, fíjelo en el ajuste recomendado para el tipo de tela que se va a secar. Vea “Ciclos” para sugerencias de temperatura. En algunos modelos, la temperatura se incluye en la selección de ciclos.
5. (OPCIONAL) Su secadora puede tener un selector para la característica Protector antiarrugas (WRINKLE PREVENT). Si no es posible retirar la carga de la secadora tan pronto como ésta se detenga, se pueden formar arrugas. Esta característica periódicamente da vueltas, acomoda y ahueca la ropa sin calor para ayudar a alisar las arrugas.
6. (OPCIONAL) Su secadora puede tener una Señal de fin de ciclo (END OF CYCLE SIGNAL). Esta señal es útil cuando se sequen artículos que deben sacarse de la secadora tan pronto como se detenga.
  - En algunos modelos se puede ajustar el volumen de la señal de fin de ciclo. Gire el selector al volumen deseado.
  - En otros modelos, la señal de fin de ciclo forma parte del botón Inicio (Start) y se puede seleccionar. Gire el botón START a Puesta en marcha (ON) o Apagado (OFF). La señal sonará sólo cuando el selector se fije en ON.
7. Seleccione la Opción deseada. Vea “Ciclos”.
8. Si desea, agregue una hoja de suavizante de telas. Siga las instrucciones del paquete.
9. Oprima el botón de START.

### Cómo funciona el secado automático

Cuando usa el Ciclo de detección automática de la humedad, el secado de la carga es determinado por dos bandas metálicas (sensores) ubicadas en el interior de la secadora. Las bandas metálicas ayudan a “sentir” la cantidad de humedad que queda en las prendas cuando pasan por las mismas. Cuando queda humedad en las prendas, el mando de control de ciclos no avanzará. A medida que las prendas comienzan a secarse, la cantidad de agua restante en las prendas disminuye y el temporizador avanza en lo que queda del ciclo. Cuando se haya alcanzado el nivel de sequedad seleccionado, la secadora entrará en un período de enfriamiento de hasta 10 minutos.

### Para detener y volver a poner en marcha

Usted puede detener su secadora en cualquier momento durante un ciclo.

### Para detener su secadora

Abra la puerta de la secadora o gire el mando de Control de Ciclos a OFF.

**NOTA:** El mando de Control de Ciclos debe apuntar hacia el área de Apagado cuando la secadora no está en uso.

### Para volver a poner en marcha su secadora

1. Cierre la puerta.
2. Seleccione un nuevo ciclo y temperatura (si lo desea).
3. Oprima START.

## Consejos para secado, ciclos y temperatura

Seleccione el ciclo y temperatura correctos para su ropa.

El ciclo de Cool Down (enfriamiento) hace rotar la ropa sin agregar calor durante los últimos minutos de todos los ciclos para facilitar su manipulación.

### Consejos de secado

- Siga las instrucciones de cuidado de la etiqueta siempre que estén disponibles.
- Si desea, agregue una hoja de suavizante de telas. Siga las instrucciones del paquete.
- Saque la carga de ropa de la secadora tan pronto como se detenga la rotación para evitar que las prendas se arruguen. Esto es de singular importancia para las prendas de planchado permanente, tejidos de punto y fibras sintéticas.

### Consejos de temperatura y de ciclos

- Seque la mayoría de sus cargas de ropa usando el Energy Preferred Automatic Setting ( \* ) (programa automático de ahorro de energía), si está disponible en su secadora.
- Use un programa High Heat (calor alto) para secar prendas pesadas tales como toallas y ropa de trabajo.
- Use un programa Medium Heat (calor medio) para secar prendas de peso medio tales como sábanas, ropa interior, tejidos de planchado permanente y algunos tejidos de punto.
- Use un programa Low Heat (calor bajo) para secar prendas de peso ligero tales como lencería, blusas, vestidos y algunos tejidos de punto.
- Use un programa de Aire sin Calor para artículos de goma, plástico o tejidos sensibles al calor.
- Seque en el tendedero los tejidos laminados o tratados.

**NOTA:** Si tiene preguntas respecto a la temperatura de secado para las diversas cargas de ropa, tome como referencia las instrucciones de cuidado de las etiquetas. Si tiene duda respecto a la temperatura que debe seleccionar para una carga de ropa, elija el programa más bajo en vez del programa más alto.

## Símbolos de la secadora

El panel de control de su secadora contiene símbolos. Consulte la tabla a continuación para la definición de esos símbolos.



Selector de temperatura



Calor bajo



Calor medio



Calor alto



Botón de inicio

## Selector de Señal de fin de ciclo



Señal de fin de ciclo encendida



Señal de fin de ciclo apagada

## Perilla de control de ciclos

### Ciclos de secado automático



Artículos pesados



Secado intenso en el armario



Secado en el armario



Algodón



Sintéticos/Planchado permanente



Secado rápido



Artículos delicados



Enfriamiento



Secado con plancha



Máquina apagada



### Ciclo de secado programado

70.....20 Minutos de secado con calor



Semi seco



Secado con plancha



Enfriamiento



Máquina apagada



Lea el Manual del usuario



### Ciclo de secado al aire

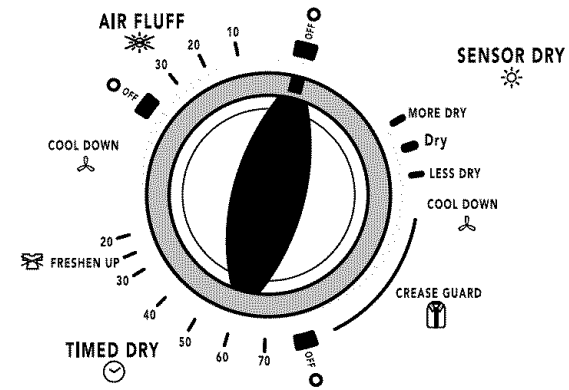
30....10 Minutos de secado sin calor



Máquina apagada

## Ciclos

Este manual cubre varios modelos diferentes. Es posible que su secadora no sea como el modelo mostrado y que no tenga todos los ciclos y ajustes descritos.



Control de Ciclos

### Ciclo Automático

Use su Ciclo Automático para secar la mayoría de las cargas. La secadora posee un control que detecta el nivel de humedad en la carga y se apaga cuando la carga alcanza el grado de sequedad seleccionado. Coloque el selector de temperatura según el tipo de prendas que tiene en su carga.

Después de secar una carga en cualquiera de los ciclos automáticos, revise el grado de sequedad.

Si la carga está más seca de lo que a usted le gustaría, seleccione un ajuste más cercano a Menos Seco la próxima vez que seque una carga similar.

Si una carga no está lo suficientemente seca como a usted le gustaría, termine de secarla usando un Ciclo Normal por Tiempo. Seleccione un ajuste más cercano a Muy Seco la próxima vez que seque una carga similar.

**NOTA:** El tiempo de secado varía con un ciclo automático. El tipo de tela, tamaño de la carga y el grado de sequedad elegido afectan al tiempo de secado. Consulte "Consejos de secado, ciclos y temperatura".

### Ciclo(s) de secado programado (Timed Drying)

Seleccione el ajuste de secado programado y la temperatura correctos para su carga.

Use un ajuste de Secado programado (Timed Drying) más largo para prendas muy pesadas o voluminosas, tales como edredones y ropa de trabajo o cargas de ropa voluminosas que requieren un tiempo de secado prolongado. Fije el selector de temperatura, si está disponible, en Calor alto (High Heat).

Use un ajuste de Secado programado (Timed Drying) más corto para prendas de peso ligero, tales como lencería o tejidos de punto. Seleccione el selector de temperatura, si está disponible, basado en los tejidos que tenga la carga.

### Air Fluff o Air Dry cycles (ciclo de Secado sin calor o por aire)

Use el Air Fluff o Air Dry (ciclo de secado sin calor o por aire) para prendas que requieren secado sin calor, tales como prendas de goma, plástico y tejidos sensibles al calor. Fije el botón de Control de Ciclos en Air Fluff o Air Dry (ciclo de secado sin calor o por aire). Este cuadro muestra ejemplos de artículos que pueden secarse usando el ciclo de Secado sin calor o por aire.

Tipo de carga	Ciclo de Secado sin calor o por aire*
Gomaespuma - almohadas, sujetadores con relleno, juguetes de peluche	20 - 30
Plástico - cortinas de ducha, manteles	20 - 30
Goma - alfombras con reverso de goma	40 - 50
Olefina, polipropileno, nailon diáfano	10 - 20

\*(Minutos). De ser necesario, vuelva a seleccionar el ciclo para terminar de secar.

### Siempre que use el Ciclo de Secado sin calor o por aire

- Compruebe que las cubiertas estén debidamente cosidas.
- Sacuda y ahueque las almohadas a mano periódicamente durante el ciclo.
- Seque la prenda por completo. Las almohadas de gomaespuma tardan en secar.

### Opción de estante de secado

Use el estante de secado para secar artículos tales como suéters y almohadas sin rotación. El tambor gira, pero el estante no se mueve.

Si su modelo no tiene un estante de secado, usted puede comprar uno para su modelo. Mire la portada del manual o póngase en contacto con el distribuidor donde compró su secadora para saber si puede usar un estante de secado con su modelo, y para recibir información sobre cómo encargarlo.

**NOTA:** Usted deberá quitar el estante para un secado normal con rotación. No use ciclos automáticos con el estante de secado.

### Para usar el estante de secado

1. Coloque el estante de secado en la secadora.

**Estilo 1:** Su estante de secado tiene patas frontales. Deslice las espigas traseras dentro de las hendiduras que están en la pared posterior de la secadora. Baje las patas frontales para que descansen en la apertura de la secadora.

**Estilo 2:** Su estante de secado no tiene patas frontales. No quite el filtro de pelusa. Deslice el estante de secado encima de la parte inferior de la apertura de la puerta de la secadora. Empuje hacia abajo para asegurar el estante en el marco.

2. Ponga los artículos mojados sobre el estante de secado, dejando espacio entre ellos. No permita que los artículos cuelguen del borde del estante de secado. Cierre la puerta.
3. Seleccione el ciclo programado de tiempo y de temperatura, o un ciclo de aire. Los artículos que contengan goma espuma, hule o plástico deben secarse en un tendedero o usando un ciclo de aire. Consulte el cuadro a continuación.
4. Ponga la secadora en marcha. Si lo necesita, vuelva a fijar el ciclo para completar el secado.


Secado con estante	Ciclo	Temp.	Tiempo
Artículos lavables de lana (déles forma y extiéndalos en sentido plano en el estante)	Secado programado	Baja	60 min.
Juguetes de peluche/ almohadas (con relleno de algodón o fibra de poliéster)	Secado programado	Baja	60 min.
Juguetes de peluche/almohadas Rellenos con hule espuma	Aire (sin calor)	N/A	90 min.

# CUIDADO DE LA SECADORA

## Limpieza del lugar donde está la secadora

Mantenga el área donde está la secadora despejada y libre de artículos que pudieran obstruir el flujo de aire para la combustión y la ventilación.

**⚠ ADVERTENCIA**



**Peligro de Explosión**

**Mantenga los materiales y vapores inflamables, como la gasolina, lejos de la secadora.**

**Coloque la secadora a un mínimo de 46 cm sobre el suelo para la instalación en un garaje.**

**No seguir estas instrucciones puede ocasionar la muerte, explosión o incendio.**

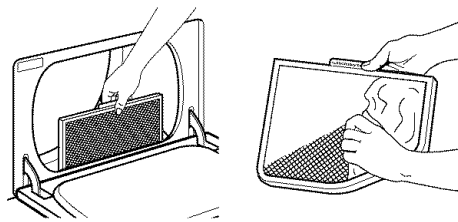
## Limpieza del filtro de pelusa

### Limpieza en cada carga

El filtro de pelusa está localizado en la parte inferior del marco de la puerta de la secadora. Límpielo antes del secado de cada carga. Un filtro obstruido con pelusa puede aumentar el tiempo de secado.

### Para limpiar

1. Tire del filtro de pelusa directamente hacia arriba. Quite la pelusa enrollándola con los dedos. No lave ni enjuague el filtro para quitar la pelusa. La pelusa mojada es difícil de quitar.



2. Empuje el filtro firmemente hasta que quede en su lugar.

### IMPORTANTE:

- No ponga a funcionar la secadora con el filtro de pelusa flojo, dañado, obstruido o sin él. El hacerlo puede causar un sobrecalentamiento y dañar tanto la secadora como las prendas.
- Si al quitar la pelusa del filtro ésta cae dentro de la secadora, revise la capota de ventilación y quite la pelusa. Vea "Revisión de su Ventilación".

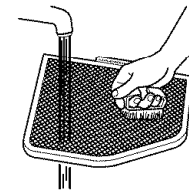
### Limpieza periódica

Los residuos de detergente y suavizante de telas pueden acumularse en el filtro de pelusa. Esta acumulación puede dar lugar a períodos más prolongados de secado de su ropa, o causar que la secadora se detenga antes de que su ropa esté completamente seca. El filtro está probablemente obstruido si la pelusa se cae del mismo.

Lave el filtro de pelusa con un cepillo de nailon cada 6 meses o con más frecuencia si se obstruye debido a la acumulación de residuos.

### Para lavar

1. Quite la pelusa enrollándola con los dedos.
2. Moje ambos lados del filtro de pelusa con agua caliente.
3. Moje un cepillo de nailon con agua caliente y detergente líquido. Friegue el filtro de pelusa con el cepillo para quitar la acumulación de residuos.



4. Enjuague el filtro con agua caliente.
5. Seque minuciosamente el filtro de pelusa con una toalla limpia. Vuelva a colocar el filtro en la secadora.

## Limpieza del interior de la secadora

### Para limpiar el tambor de la secadora

1. Haga una pasta con detergente en polvo y agua tibia.
2. Aplique la pasta a un paño suave.

**O**

Aplique un producto de limpieza líquido no inflamable en el área manchada y frote con un paño suave hasta quitar todo el exceso de tinte.

3. Limpie el tambor minuciosamente con un paño húmedo.
4. Seque una carga de ropa o toallas limpias para secar el tambor.

**NOTA:** Las prendas de colores que destiñen tales como vaqueros o artículos de algodón de colores vivos, pueden teñir el interior de la secadora. Estas manchas no dañan su secadora ni mancharán las cargas futuras de ropa. Seque los artículos de colores que destiñen al revés para evitar la transferencia del tinte.

## Eliminación de pelusa acumulada

### En el interior del cuerpo de la secadora

Según el uso de la secadora, se debe quitar la pelusa cada 2 años, o con más frecuencia. La limpieza deberá efectuarla una persona calificada.

### En el conducto de escape

Según el uso de la secadora, se debe quitar la pelusa cada 2 años, o con más frecuencia.

## Cuidado para las vacaciones y la mudanza

### Cuidado para las vacaciones

Ponga la secadora a funcionar sólo cuando esté en casa. Si va a salir de vacaciones o no va a usar su secadora por un tiempo prolongado, usted deberá:

1. Desenchufar la secadora o desconectar el suministro de energía.
2. Limpiar el filtro de pelusa. Vea “Limpieza del filtro de pelusa”.

### Cuidado para la mudanza

1. Desenchufe el cable de suministro de energía.
2. Asegúrese de que las patas niveladoras estén fijadas en la base de la secadora.
3. Use cinta adhesiva para asegurar la puerta de la secadora.

# SOLUCIÓN DE PROBLEMAS

Pruebe primero las soluciones aquí sugeridas y posiblemente se evite el costo de una visita de servicio técnico...

## Funcionamiento de la secadora

### La secadora no funciona

- **¿Se quemó un fusible de la casa o se ha disparado un cortacircuitos?**  
Compruebe que el fusible esté intacto y ajustado, o que no se haya disparado el cortacircuitos. Si el problema continúa, llame a un electricista.
- **¿Es el suministro de energía el correcto?**  
Las secadoras eléctricas requieren un suministro eléctrico de 230 voltios. Verifíquelo con un electricista calificado.
- **¿Se usó un fusible regular?**  
Use un fusible retardado.
- **¿Está cerrada con firmeza la puerta de la secadora?**
- **¿Se oprimió con firmeza el botón de Puesta en marcha?**

### Sin calor

- **¿Se ha quemado un fusible de la casa o se ha disparado el cortacircuitos?**  
Compruebe que el fusible esté intacto y ajustado, o que no se haya disparado el cortacircuitos. Si el problema continúa, llame a un electricista.

### Sonidos raros

- **¿Ha estado la secadora sin uso por una temporada?**  
Si no se ha usado la secadora por una temporada, es posible que se escuche un sonido fuerte durante los primeros minutos de funcionamiento.
- **¿Hay una moneda, botón o sujetapapeles entre el tambor y la parte frontal o trasera de la secadora?** Revise los bordes frontales y traseros del tambor para verificar si hay objetos pequeños. Vacíe los bolsillos antes del lavado.
- **¿Están las cuatro patas instaladas y está la secadora nivelada de frente hacia atrás y de lado a lado?**  
La secadora puede vibrar si no está instalada adecuadamente. Vea las Instrucciones de instalación.
- **¿Las prendas están enredadas o hechas un ovillo?**  
Si la carga está hecha un ovillo, rebotará haciendo vibrar a la secadora. Separe los artículos de la carga y reinicie la secadora.

### El temporizador no avanza


- **¿Se ha ajustado la secadora en secado programado o al aire (Timed o Air Dry)?**  
El temporizador se mueve lenta y continuamente durante el ajuste de tiempo.
- **¿Se ha ajustado la secadora a Secado automático (Automatic Drying)?**  
El temporizador solamente se mueve cuando las prendas están casi secas. Vea “Cómo funciona el secado automático” en “Uso de la secadora”.

## Rendimiento de la secadora

Las prendas no se secan satisfactoriamente, los tiempos de secado son demasiado largos, o la carga está demasiado caliente

- **¿Está el filtro de pelusa obstruido con pelusa?**  
El filtro de pelusa debe ser limpiado antes de cada carga.

**⚠ ADVERTENCIA**



**Peligro de Incendio**

Use un conducto de escape de metal pesado.  
No use un conducto de escape de plástico.  
No use un conducto de escape de aluminio.  
No seguir estas instrucciones puede ocasionar la muerte o incendio.

- **¿Está obstruido con pelusa el conducto de escape o la capota de ventilación exterior, restringiendo el flujo del aire?** Ponga a funcionar la secadora unos 5 a 10 minutos. Ponga su mano debajo de la capota de ventilación exterior, para verificar el movimiento del aire. Si no lo siente, limpie la pelusa del sistema de ventilación o reemplace el conducto de escape con uno de metal pesado o de metal flexible. Vea las Instrucciones de instalación.
- **¿Están las hojas del suavizante de telas bloqueando la rejilla?**  
Use únicamente una hoja del suavizante de telas y úsela una sola vez.
- **¿Tiene el conducto de escape el largo correcto?**  
Revise el conducto de escape para verificar que no sea demasiado largo o no dé demasiadas vueltas. Un conducto de ventilación largo aumentará el tiempo de secado. Vea las Instrucciones de instalación.
- **¿Es el diámetro del conducto de escape del tamaño correcto?**  
Use un material de ventilación de 10,2 cm (4") de diámetro.

**⚠ ADVERTENCIA**



**Peligro de Explosión**

Mantenga los materiales y vapores inflamables, como la gasolina, lejos de la secadora.  
Coloque la secadora a un mínimo de 46 cm sobre el suelo para la instalación en un garaje.  
No seguir estas instrucciones puede ocasionar la muerte, explosión o incendio.

- **¿Está la secadora ubicada en una habitación cuya temperatura está debajo de 7°C (45°F)?**  
El funcionamiento apropiado de los ciclos de la secadora requiere temperaturas superiores a 7°C (45°F).
- **¿Está la secadora ubicada en un armario?**  
Las puertas del armario deben tener aperturas de ventilación en la parte superior e inferior de la puerta. La parte lateral y anterior de la secadora necesitan un mínimo de 1" (2,5 cm) de espacio y la parte trasera necesita 5" (12,7 cm). Vea las Instrucciones de instalación.
- **¿Se ha seleccionado un ciclo de secado al aire?** Seleccione el ciclo correcto para el tipo de prendas que se estén secando.
- **¿Es la carga demasiado voluminosa y pesada para secarse con rapidez?**  
Separe la carga de modo que pueda rotar libremente.

El tiempo del ciclo es demasiado corto

**⚠ ADVERTENCIA**

**Peligro de Peso Excesivo**

Son necesarias dos o más personas para mover e instalar la secadora.  
No seguir esta instrucción puede ocasionar una lesión en la espalda u otro tipo de lesiones.

- **¿Está terminando más rápido el ciclo automático?**  
Quizás la carga no está haciendo contacto con las bandas del detector. Nivele la secadora.  
Cambie el ajuste del nivel de secado en ciclos automáticos. Aumentar o disminuir el nivel de secado cambiará la cantidad de tiempo de secado en un ciclo.

---

## Pelusa en la ropa

---

- **¿Está obstruido el filtro de pelusa?**  
El filtro de pelusa debe ser limpiado antes de cada carga.

---

## Manchas en la carga o en el tambor

---

- **¿Se ha empleado adecuadamente el suavizante de telas?**  
Agregue hojas de suavizante de telas al comienzo del ciclo. Las hojas del suavizante de telas que se agregan a una carga parcialmente seca pueden manchar las prendas.  
Las manchas en el tambor están causadas por los tintes en las prendas (habitualmente los pantalones vaqueros). Esto no se transferirá a otras prendas.

---

## Ropa arrugada

---

- **¿Se ha sacado la ropa de la secadora al final del ciclo?**
- **¿Se ha sobrecargado la secadora?**  
Seque cargas más pequeñas que puedan rotar con libertad.

---

## Olores

---

- **¿Ha estado pintando, tiñendo o barnizando recientemente el área donde se encuentra la secadora?**  
De ser así, ventile el área. Cuando los olores o humos se hayan esfumado del área, vuelva a lavar y secar la ropa.
- **¿Se está usando la secadora por primera vez?**  
El nuevo elemento calentador eléctrico puede emitir un olor. El olor desaparecerá después del primer ciclo.

---

# AYUDA O SERVICIO TÉCNICO

Antes de solicitar ayuda o servicio técnico, por favor consulte la sección “Solución de problemas”. Esto le podría ahorrar el costo de una visita de servicio técnico. Si considera que aún necesita ayuda, póngase en contacto con el establecimiento distribuidor donde ha adquirido la secadora o con una compañía de servicio técnico designada por Maytag.

Cuando llame, tenga a mano la fecha de compra y el número completo del modelo y de la serie de su electrodoméstico. Esta información nos ayudará a atender mejor a su pedido.

### Si necesita piezas de repuesto

Si necesita pedir piezas de repuesto, recomendamos que use únicamente piezas especificadas de fábrica FSP®. Estas piezas encajarán bien y funcionarán bien ya que están confeccionadas con la misma precisión empleada en la fabricación de cada electrodoméstico nuevo de Maytag®.

### Para conseguir las piezas de repuesto FSP® en su localidad:

Póngase en contacto con el establecimiento distribuidor donde compró la secadora, o con una compañía de servicio técnico designada por Whirlpool.

# SECURITE DU SECHE-LINGE

## Votre sécurité et celle des autres est très importante.

Nous donnons de nombreux messages de sécurité importants dans ce manuel et sur votre appareil ménager. Assurez-vous de toujours lire tous les messages de sécurité et de vous y conformer.



Voici le symbole d'alerte de sécurité.

Ce symbole d'alerte de sécurité vous signale les dangers potentiels de décès et de blessures graves à vous et à d'autres.

Tous les messages de sécurité suivront le symbole d'alerte de sécurité et le mot "DANGER" ou "AVERTISSEMENT". Ces mots signifient :

**⚠ DANGER**

Risque possible de décès ou de blessure grave si vous ne suivez pas immédiatement les instructions.

**⚠ AVERTISSEMENT**

Risque possible de décès ou de blessure grave si vous ne suivez pas les instructions.

Tous les messages de sécurité vous diront quel est le danger potentiel et vous disent comment réduire le risque de blessure et ce qui peut se produire en cas de non-respect des instructions.

## IMPORTANTES INSTRUCTIONS DE SECURITE

**AVERTISSEMENT :** Pour réduire le risque d'incendie, de choc électrique ou de blessure lors de l'utilisation du sèche-linge, il convient d'observer certaines précautions élémentaires dont les suivantes :

- Lire toutes les instructions avant d'utiliser le sèche-linge.
- Les sèche-linge à gaz doivent être installés dans une pièce uniquement si celle-ci respecte les exigences d'évacuation appropriées spécifiées dans les règlements nationaux d'installation. S'assurer que la pièce où se trouve le sèche-linge dispose d'un apport d'air adéquat pour la combustion du gaz et/ou le séchage. Une fenêtre ou une ouverture équivalente doit être ouverte dans la pièce durant l'utilisation du sèche-linge (une forme d'ouverture équivalente comprend une persienne réglable, un panneau articulé ou un autre dispositif de ventilation qui s'ouvre directement vers l'extérieur).
- Maintenir un dégagement minimum de 10 cm entre l'arrière du sèche-linge et tout mur.
- Le fonctionnement de cet appareil peut affecter le fonctionnement d'autres types d'appareils alimentés au gaz qui obtiennent leur apport d'air pour une combustion sûre dans la même pièce. Il doit y avoir une évacuation adéquate pour remplacer l'air évacué et éviter ainsi le refoulement de gaz dans la pièce en provenance d'autres appareils alimentés par d'autres carburants, y compris les feux, lorsqu'on fait fonctionner le sèche-linge à rotation. En cas de doute, consulter les fabricants des appareils.
- Ne pas obstruer l'apport d'air au sèche-linge (voir les instructions d'installation pour les dégagements minimums).

**CONSERVER CES INSTRUCTIONS**

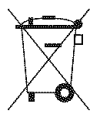
## IMPORTANTES INSTRUCTIONS DE SECURITE

- Ne pas placer des articles exposés aux huiles de cuisson dans votre sèche-linge. Les articles contaminés par des huiles de cuisson peuvent contribuer à une réaction chimique qui pourrait entraîner l'embrasement de la charge.
- Les articles comportant des taches d'huile de cuisson, d'acétone, d'alcool, de pétrole, de kérosène, de produit détachant, de térébenthine, de cire ou de décapant pour cire doivent être lavés à l'eau chaude avec un supplément de détergent avant d'être séchés dans le sèche-linge. Ces articles sont susceptibles de dégager des vapeurs qui pourraient s'enflammer ou exploser.
- Ne pas permettre à des enfants de jouer sur ou à l'intérieur du sèche-linge. Une surveillance étroite est nécessaire lorsque le sèche-linge est utilisé près d'eux.
- Avant de retirer le sèche-linge du service ou de le jeter, enlever la porte du compartiment de séchage.
- Ne pas mettre la main dans le sèche-linge si le tambour est en mouvement. L'appareil est muni d'un interrupteur de porte pour votre sécurité.
- Ne pas installer ni entreposer le sèche-linge où il sera exposé aux intempéries.
- Ne pas jouer avec les commandes.
- Ne pas continuer d'utiliser cet appareil s'il semble défectueux.
- Ne pas réparer ni remplacer une pièce du sèche-linge ou essayer d'en faire l'entretien à moins d'une recommandation spécifique dans le guide d'utilisation et d'entretien. Seul un personnel de service compétent doit effectuer les réparations et l'entretien.
- Ne pas utiliser un produit assouplissant de tissu ou des produits pour éliminer la statique à moins qu'ils ne soient recommandés par le fabricant du produit assouplissant de tissu ou du produit pour éliminer la statique. Suivre leurs instructions.
- Nettoyer le filtre à charpie avant et après chaque charge. Ne pas faire fonctionner le sèche-linge sans filtre à charpie.
- S'assurer que les ouvertures d'évacuation et d'entrée d'air et les abords immédiats sont libres de toute accumulation de charpie, de poussière et de saleté.
- Un nettoyage périodique de l'intérieur du sèche-linge et du conduit d'évacuation doit être effectué par une personne qualifiée.
- Voir les instructions d'installation pour les exigences de liaison de l'appareil à la terre.
- Si le cordon d'alimentation est endommagé, il doit être remplacé par le fabricant, son agent de service ou une personne aux qualifications similaires afin d'écartier tout danger.
- Ne pas faire sécher d'articles non lavés dans ce sèche-linge.
- Les articles tels que le caoutchouc mousse (mousse de latex), les bonnets de douche, les textiles imperméabilisés, les articles avec endos de caoutchouc et les vêtements ou oreillers rembourrés avec matelassage en mousse ne doivent pas être séchés dans le sèche-linge.
- La partie finale du programme de séchage par culbutage a lieu sans chaleur (programme de refroidissement) pour que les articles soient laissés à une température qui ne risque pas de les endommager.

**AVERTISSEMENT :** Ne jamais arrêter un sèche-linge en phase de culbutage avant la fin du programme de séchage, à moins de retirer les articles rapidement et de les étendre afin de dissiper la chaleur.

**CONSERVER CES INSTRUCTIONS**

## MISE AU REBUT DU SECHE-LINGE



Le marquage de l'appareil est conforme à la directive européenne 2002/ 96/ EC sur les équipements électroniques et électriques, pour gestion des déchets.

En veillant à l'élimination correcte de ce produit, vous éviterez d'éventuelles conséquences néfastes pour l'environnement et la santé humaine qui peuvent être associées au traitement inapproprié de ce produit lorsqu'il a été mis au rebut.

Le symbole figurant sur le produit ou dans les documents qui accompagnent le produit indique que cet appareil ne doit pas être traité comme déchet ménager; on doit plutôt le remettre à un centre de collecte spécialisé pour le recyclage des équipements électriques et électroniques.

L'élimination de ce produit après mise au rebut doit être effectuée conformément aux prescriptions de la réglementation locale de protection de l'environnement.

Pour l'information détaillée concernant le traitement, le recyclage et la récupération de ce produit, contacter la municipalité locale, le service d'élimination des déchets ménagers, ou le commerçant qui a vendu le produit.

## INSTRUCTIONS D'INSTALLATION

### Outillage et pièces

Rassembler les outils et pièces nécessaires avant de commencer l'installation. Lire et suivre les instructions fournies avec les outils indiqués ici.

- Tournevis à lame plate
- Tournevis Phillips n° 2
- Clé à molette avec ouverture jusqu'à 2,54 cm (1") ou clé à douille hexagonale (pour ajuster les pieds du sèche-linge)
- Cisaille de ferblantier (pour l'installation d'un nouveau conduit)
- Niveau
- Clapets d'évacuation
- Pistolet à calfeutrage et composé de calfeutrage (pour l'installation d'un nouveau circuit d'évacuation)
- Mètre ruban

### Pièces fournies

Retirer les sachets de pièces du tambour du sèche-linge. Vérifier que toutes les pièces de la liste sont présentes.



4 pieds de nivellement

### Pièces nécessaires

Consulter les codes locaux. Vérifier l'alimentation électrique et le circuit d'évacuation existants. Voir "Spécifications électriques" et "Exigences concernant l'évacuation" avant d'acheter les pièces.

## Exigences d'emplacement

### ⚠ AVERTISSEMENT



#### Risque d'explosion

Garder les matières et les vapeurs inflammables, telle que l'essence, loin du sèche-linge.

Placer le sèche-linge au moins 46 cm au-dessus du plancher pour une installation dans un garage.

Le non-respect de ces instructions peut causer un décès, une explosion ou un incendie.

#### On a besoin de

- Un emplacement avec un conduit d'évacuation à proximité. Voir "Exigences concernant l'évacuation".
- Un circuit séparé de 30 ampères.
- Une prise électrique avec liaison à la terre située à moins de 61 cm (2 pi) de l'un des côtés du sèche-linge. Voir "Spécifications électriques".
- Un plancher robuste capable de supporter un poids total (sèche-linge et charge) de 90,7 kg (200 lb). Le poids combiné d'un appareil voisin doit également être pris en compte.
- Un plancher horizontal avec une pente maximale de 2,5 cm (1") sous le sèche-linge. (Si la pente est supérieure à 2,5 cm [1"], installer l'ensemble de pieds longs n° de pièce 279810.) Si le sèche-linge n'est pas de niveau, le linge peut ne pas culbutter convenablement et les programmes commandés par des détecteurs automatiques peuvent ne pas fonctionner correctement.

Ne pas faire fonctionner le sèche-linge à une température inférieure à 7°C (45°F). A des températures inférieures, le sèche-linge risque de ne plus s'arrêter à la fin d'un programme automatique. Les temps de séchage risquent alors d'augmenter.

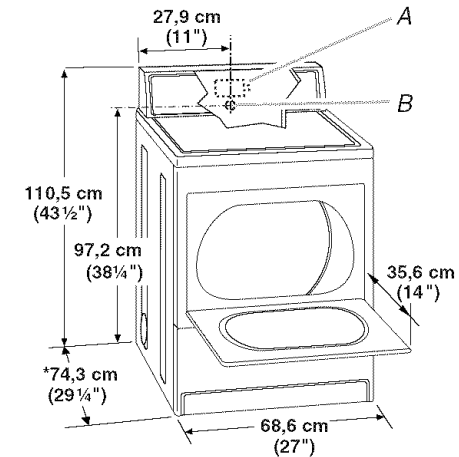
Le sèche-linge ne doit pas être installé ou entreposé dans un endroit où il sera exposé à l'eau et/ou aux intempéries.

Vérifier les règlements locaux. Certains codes limitent ou n'autorisent pas l'installation des sèche-linge dans un garage, un placard, une maison mobile ou une chambre à coucher. Communiquer avec l'inspecteur des bâtiments local.

#### Dégagements de séparation à respecter

L'emplacement doit être assez grand pour permettre d'ouvrir complètement la porte du sèche-linge.

#### Dimensions du sèche-linge

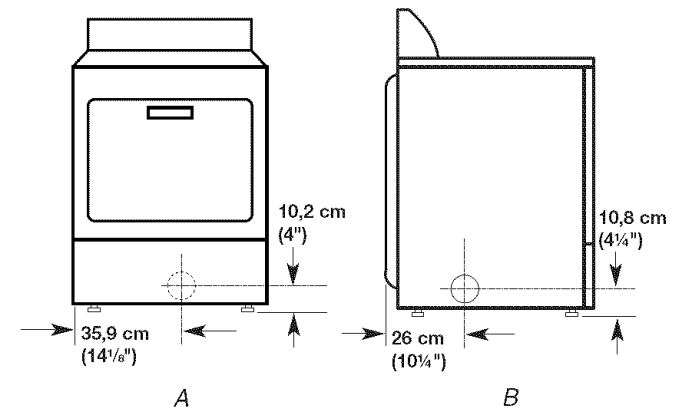


A. Couverture du boîtier de connexion

B. Bride de serrage du cordon/câble d'alimentation

\*La plupart des installations requièrent un espace minimum de 12,7 cm (5") derrière le sèche-linge pour le conduit d'évacuation avec coude. Voir "Exigences concernant l'évacuation".

#### Dimensions pour l'évacuation



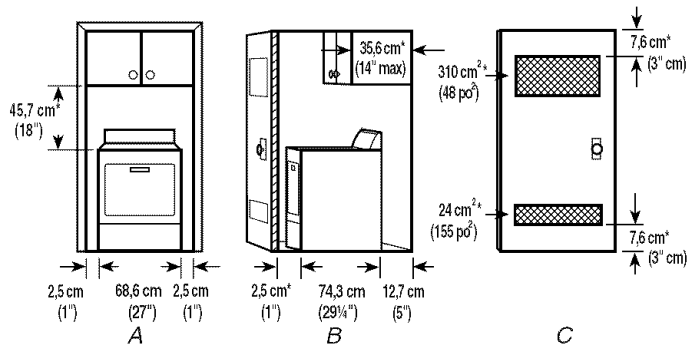
A. Evacuation à l'arrière

B. Evacuation du côté gauche ou droit

### Espacement minimum pour une installation dans un encastrément ou dans un placard

On recommande les dimensions d'espacement suivantes pour ce sèche-linge. Ce sèche-linge a été testé pour une installation avec dégagement de 0 cm (0") sur les côtés et à l'arrière. L'espacement recommandé doit être considéré pour les raisons suivantes :

- On prévoira un peu plus d'espace pour faciliter l'installation et l'entretien.
- Un espace supplémentaire peut être requis pour les moulures de porte et de plancher et pour les plinthes.
- Un espace supplémentaire de tous les côtés du sèche-linge est recommandé pour réduire le transfert du bruit.
- Si une porte de placard est installée (pour une installation encastrée), on doit prévoir des orifices d'entrée d'air en haut et en bas de la porte. Les portes à claire-voie offrant une surface équivalente de passage de l'air sont acceptables.
- Il faut aussi prendre en compte l'espace requis entre les appareils voisins.



A. Encastrement

B. Vue latérale - placard ou endroit exigu

C. Porte du placard avec orifices d'entrée d'air

\*Espacement supplémentaire requis

## Spécifications électriques

**IMPORTANT :** Observer les dispositions de tous les codes et règlements en vigueur.

### C'est à l'utilisateur qu'incombe la responsabilité de

- Contacter un installateur qualifié pour s'assurer que l'installation électrique est appropriée et conforme à tous les codes et règlements locaux.
- S'assurer que l'appareil est alimenté uniquement par un circuit monophasé à 2 fils de 230 V CA, 50 Hz, sur un circuit séparé de 30 ampères. On recommande d'utiliser un fusible ou un disjoncteur temporisé. On recommande également que cet appareil soit alimenté par un circuit indépendant.

**REMARQUE :** Conformément aux dispositions de la directive européenne EMC (89/336/EEC), l'impédance maximale du réseau d'alimentation électrique auquel le sèche-linge électrique doit être connecté est de 0,302 Ohm + j0,189 Ohm.

## AVERTISSEMENT



### Risque de choc électrique

**Ce sèche-linge doit être relié à la terre.**

**Ne pas utiliser une tuyauterie de gaz pour le raccordement à la terre.**

**Ne pas changer la prise du cordon d'alimentation. Si elle ne correspond pas à la prise de sortie, faire installer la prise appropriée par un électricien qualifié.**

**Ne pas avoir de fusible dans le circuit neutre ou de liaison à la terre.**

**Ne pas utiliser un câble de rallonge avec ce sèche-linge.**

**Consulter un électricien qualifié pour s'assurer que le sèche-linge est correctement relié à la terre.**

**Ne pas connecter le cordon d'alimentation à une prise sous tension avant de le connecter au boîtier de connexion du sèche-linge.**

**Ne pas réutiliser un cordon d'alimentation usagé.**

**Le non-respect de ces instructions peut causer un décès, un incendie ou une blessure grave.**

- Pour minimiser les risques de choc électrique, le cordon d'alimentation électrique doit être branché sur une prise de courant appropriée. Veiller à ce que la prise murale se trouve à proximité de l'emplacement définitif du sèche-linge.
- Brancher le cordon d'alimentation dans une prise reliée à la terre. Il doit être connecté à une prise de courant correspondant au voltage indiqué sur la plaque signalétique. La capacité minimale du fusible d'alimentation doit être de 16 A. Le sèche-linge doit être installé de façon à ce que la prise soit accessible. Si la prise correspondante n'est pas utilisée, la connexion électrique doit être effectuée par un électricien compétent conformément aux codes locaux et nationaux.
- Si le cordon d'alimentation est endommagé, il doit être remplacé par un cordon à embout spécifique par un agent d'entretien autorisé ou une personne compétente similaire.
- Ne pas utiliser un adaptateur.
- Si les codes le permettent et si on utilise un conducteur distinct de liaison à la terre, il est recommandé qu'un électricien qualifié vérifie la qualité de la liaison à la terre.

Pour plus d'informations sur la commande de pièces, voir la section "Assistance ou réparation".

## INSTRUCTIONS DE LIAISON À LA TERRE

- Pour un sèche-linge relié à la terre et connecté par un cordon :

Ce sèche-linge doit être relié à la terre. En cas d'anomalie de fonctionnement ou de panne, la liaison à la terre réduira le risque de choc électrique en offrant au courant électrique un itinéraire d'évacuation de moindre résistance.

La fiche doit être branchée sur une prise de courant appropriée qui est bien installée et reliée à la terre conformément à tous les codes et règlements locaux.

**AVERTISSEMENT :** Un raccordement inapproprié du conducteur de liaison à la terre peut causer un risque de choc électrique. En cas de doute concernant la liaison à la terre du sèche-linge, consulter un électricien qualifié, un agent ou personnel d'entretien. Ne pas modifier la fiche fournie avec le sèche-linge; si elle ne s'adapte pas à la prise, faire installer une prise appropriée par un électricien qualifié.

**CONSERVEZ CES INSTRUCTIONS**

## Exigences concernant l'évacuation

### **⚠ AVERTISSEMENT**



#### Risque d'incendie

**Utiliser un conduit d'évacuation en métal lourd.**

**Ne pas utiliser un conduit d'évacuation en plastique.**

**Ne pas utiliser un conduit d'évacuation en feuille de métal.**

**Le non-respect de ces instructions peut causer un décès ou un incendie.**

**AVERTISSEMENT :** Pour réduire le risque d'incendie, ce sèche-linge doit EVACUER L'AIR A L'EXTERIEUR.

**IMPORTANT :** Observer les dispositions de tous les codes et règlements en vigueur.

Le conduit d'évacuation du sèche-linge ne doit pas être connecté à une évacuation de gaz, une cheminée, un mur, un plafond ou un vide de construction.

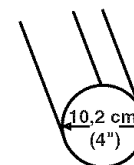
## En cas d'utilisation du système d'évacuation existant

- Eliminer la charpie sur toute la longueur du système et veiller à ce que le clapet de décharge ne soit pas obstrué par une accumulation de charpie.
- Remplacer tout conduit de plastique ou de feuille métallique par un conduit de métal lourd rigide ou souple.
- Examiner le tableau de longueur du conduit d'évacuation. Apporter les modifications nécessaires au système d'évacuation pour atteindre le meilleur rendement de séchage.

## En cas de nouveau système d'évacuation

### Matériel pour l'évacuation

- Utiliser un conduit d'évacuation en métal lourd. Ne pas utiliser un conduit de plastique ou en feuille métallique.
- Utiliser un conduit d'évacuation en métal lourd de 10,2 cm (4") et des brides de serrage.



Conduit d'évacuation en métal lourd de 10,2 cm (4")

On peut se procurer les produits d'évacuation auprès du marchand ou en téléphonant à Maytag Services. Pour plus de renseignements, voir la section "Assistance ou réparation".

### Conduit métallique rigide

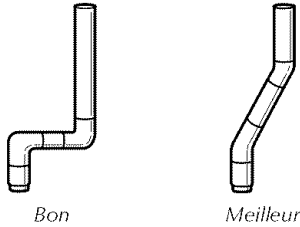
- Pour un meilleur rendement de séchage, on recommande d'utiliser des conduits métalliques rigides.
- On recommande d'utiliser un conduit métallique rigide pour réduire les risques d'écrasement et de déformation.

### Conduit métallique flexible

- Les conduits métalliques flexibles sont acceptables seulement dans la mesure où ils sont accessibles en vue du nettoyage.
- Un conduit métallique flexible doit être totalement déployé et soutenu lorsque le sèche-linge est à sa position finale.
- Enlever tout excès de conduit flexible pour éviter tout affaissement ou déformation susceptible de réduire la capacité d'évacuation et le rendement.
- Ne pas installer le conduit métallique flexible dans les cavités fermées des murs, plafonds ou planchers.

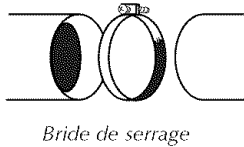
## Coudes

Les coudes à 45° permettent une meilleure circulation de l'air que les coudes à 90°.



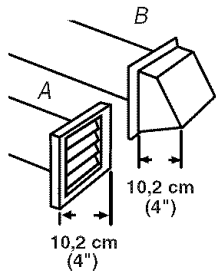
## Brides de serrage

- Utiliser des brides pour sceller tous les joints.
- Le conduit d'évacuation ne doit pas être connecté ou fixé avec des vis ou avec tout autre dispositif de serrage qui se prolonge à l'intérieur du conduit. Ne pas utiliser de ruban adhésif pour conduit.



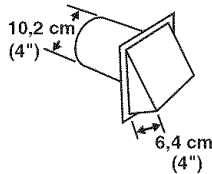
## Evacuation

Les styles de clapets recommandés sont illustrés ci-dessous.



A. Clapet à persiennes  
B. Clapet de type boîte

Le clapet incliné de type boîte ci-dessous est acceptable.



- Terminer le conduit d'évacuation par un clapet de décharge pour empêcher les rongeurs et insectes d'entrer dans l'habitation.

- Le clapet de décharge doit être situé à au moins 30,5 cm (12") au-dessus du sol ou de tout autre objet susceptible de se trouver sur le trajet de l'air humide rejeté (par exemple, fleurs, roches ou arbustes, limite de la neige, etc.).
- Ne pas utiliser un clapet d'évacuation à fermeture magnétique.

**Une mauvaise évacuation de l'air peut causer de l'humidité et une accumulation de charpie à l'intérieur de la maison, ce qui peut provoquer :**

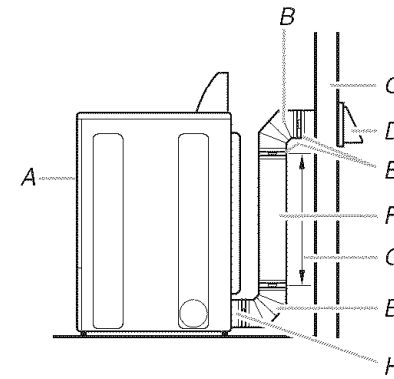
- Dommages par l'humidité aux boiseries, meubles, peinture, papier-peint, tapis, etc.
- Problèmes de nettoyage dans la maison et problèmes de santé.

## Planification du système d'évacuation

### Choisir un type de système d'évacuation

### Installations d'évacuation recommandées

Les installations typiques consistent à acheminer le conduit d'évacuation à l'arrière du sèche-linge. D'autres installations sont possibles.



A. Sèche-linge  
B. Coude  
C. Mur  
D. Clapet de décharge  
E. Brides  
F. Conduit métallique rigide ou souple  
G. Longueur de conduit nécessaire pour raccorder les coudes  
H. Bouche de décharge

## Installations facultatives d'évacuation

Ce sèche-linge peut être converti pour un système d'évacuation par le côté droit, le côté gauche ou par la base. Contactez votre marchand local pour faire convertir le sèche-linge.

**⚠ AVERTISSEMENT**



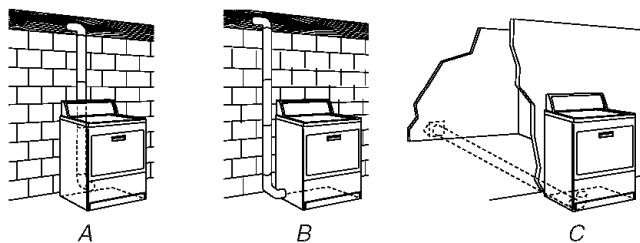
**Risque d'incendie**

**Recouvrir tous les orifices d'évacuation non utilisés avec la trousse suivante :**

**279818 (blanche)**

**Contactez votre marchand local.**

**Le non-respect de ces instructions peut causer un décès, un incendie, un choc électrique ou une blessure grave.**



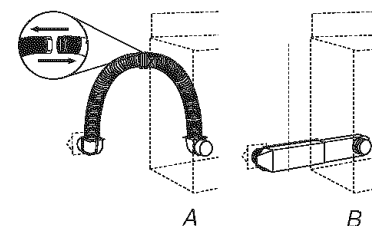
A. Acheminement standard décalé du conduit d'évacuation par l'arrière

B. Acheminement du conduit d'évacuation par la gauche ou par la droite

C. Acheminement du conduit d'évacuation par le bas

## Autres installations où le dégagement est réduit

Il existe de nombreux types de systèmes d'évacuation. Choisir le type qui convient le mieux à l'installation. Deux installations à dégagement réduit sont illustrées. Voir les instructions du fabricant.



A. Installation au-dessus du sèche-linge (aussi disponible avec un coude décalé)

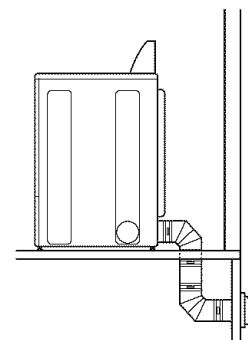
B. Installation de périscope

**REMARQUE :** On peut acheter les trouses suivantes pour les installations où le dégagement est réduit. Veuillez consulter la section "Assistance ou réparation" pour commander.

- Installation au-dessus du sèche-linge :  
Pièce numéro 4396028
- Installation de périscope (pour l'utilisation en cas de non-concordance de la bouche de décharge du sèche-linge avec le clapet) :  
Pièce numéro 4396037 - 0 cm (0") à 45,72 cm (18") de décalage  
Pièce numéro 4396011 - 45,72 cm (18") à 73,66 cm (29") de décalage  
Pièce numéro 4396014 - 73,66 cm (29") à 127 cm (50") de décalage

## Dispositions spéciales pour les installations dans une maison mobile

Le système d'évacuation doit être solidement fixé à une section non combustible de la structure de la maison mobile et ne doit pas se terminer en dessous de la maison mobile. Faire en sorte que le système d'évacuation se termine à l'extérieur.



## Déterminer l'itinéraire d'acheminement du conduit

- Choisir l'itinéraire d'acheminement vers l'extérieur qui sera le plus direct et le plus rectiligne.
- Planifier l'installation pour introduire le nombre minimal de coudes et de changements de direction.
- Si des coudes ou des changements de direction sont utilisés, prévoir autant d'espace que possible.
- Plier le conduit graduellement pour éviter de le déformer.
- Utiliser le moins possible de changements de direction à 90°.

## Déterminer la longueur du conduit et les coudes nécessaires pour la meilleure performance de séchage

- Utiliser le tableau des systèmes d'évacuation ci-dessous pour déterminer le type de matériel à utiliser pour le conduit et les combinaisons de clapet acceptables.

**REMARQUE :** Ne pas utiliser un conduit de longueur supérieure à la valeur spécifiée dans le tableau des systèmes d'évacuation. Si la longueur du circuit est supérieure à la valeur spécifiée dans le tableau, on observera :

- Une réduction de la durée de vie du sèche-linge.
- Une réduction du rendement, avec temps de séchage plus longs et une plus grande consommation d'énergie.

Le tableau des systèmes d'évacuation fournit les exigences d'évacuation qui vous aideront à atteindre la meilleure performance de séchage.

## Tableau des systèmes d'évacuation

**REMARQUE :** Les installations d'évacuation du conduit par le côté ou par le bas comportent un changement de direction à 90° à l'intérieur du sèche-linge. Pour établir la longueur maximale du conduit, ajouter un changement de direction à 90° au tableau.

Nombre de changements de direction à 90° ou coudes	Type de conduit	Clapets de type boîte ou à persiennes	Clapets inclinés
0	Métallique rigide	20 m (64 pi)	17,7 m (58 pi)
	Métallique souple	11 m (36 pi)	8,5 m (28 pi)
1	Métallique rigide	16,5 m (54 pi)	14,6 m (48 pi)
	Métallique souple	9,4 m (31 pi)	7 m (23 pi)
2	Métallique rigide	13,4 m (44 pi)	11,6 m (38 pi)
	Métallique souple	8,2 m (27 pi)	5,8 m (19 pi)
3	Métallique rigide	10,7 m (35 pi)	8,8 m (29 pi)
	Métallique souple	7,6 m (25 pi)	5,2 m (17 pi)
4	Métallique rigide	8,2 m (27 pi)	6,4 m (21 pi)
	Métallique souple	7 m (23 pi)	4,6 m (15 pi)

## Installation du système d'évacuation

1. Installer le clapet d'évacuation. Utiliser du composé de calfeutrage pour sceller l'ouverture murale à l'extérieur autour du clapet d'évacuation.
2. Raccorder le conduit d'évacuation au clapet. Le conduit doit être inséré à l'intérieur du clapet. Fixer ensemble le conduit et le clapet avec une bride de serrage de 10,2 cm (4").
3. Acheminer le conduit d'évacuation jusqu'à l'emplacement du sèche-linge. Utiliser l'itinéraire le plus rectiligne possible. Voir "Déterminer l'itinéraire d'acheminement du conduit" dans "Planification du système d'évacuation". Éviter les changements de direction à 90°. Utiliser des brides de serrage pour sceller tous les joints. Ne pas utiliser de ruban adhésif pour conduit, des vis ou autres dispositifs de fixation qui se prolongent à l'intérieur du conduit pour fixer celui-ci.

## Installation des pieds de nivellement

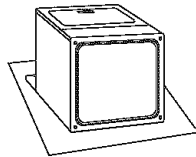
### **AVERTISSEMENT**

#### Risque du poids excessif

Utiliser deux ou plus de personnes pour déplacer et installer le sèche-linge.

Le non-respect de cette instruction peut causer une blessure au dos ou d'autre blessure.

1. Pour protéger le sol, utiliser un grand morceau de l'emballage en carton du sèche-linge. Placer le carton sous le bord arrière du sèche-linge.
2. Saisir fermement le sèche-linge par la caisse (ni par le dessus ni par le panneau de commande). Déposer délicatement le sèche-linge sur le carton. Voir l'illustration.



3. Examiner les pieds de nivellement. Trouver le symbole de repérage (losange).



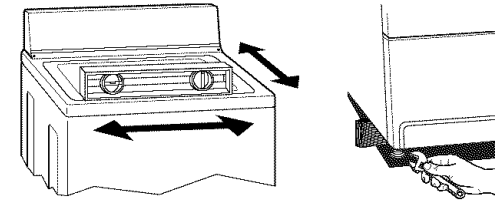
4. Engager manuellement les vis des pieds dans les trous. Utiliser une clé à molette pour visser les pieds jusqu'à ce que le symbole de repérage (losange) ne soit plus visible.
5. Placer une cornière de carton provenant de l'emballage du sèche-linge sous chacun des 2 coins arrière du sèche-linge. Redresser le sèche-linge. Faire glisser le sèche-linge sur les cornières près de son emplacement définitif. Laisser suffisamment d'espace pour connecter le conduit d'évacuation.

## Raccordement du conduit d'évacuation

1. A l'aide d'une bride de serrage de 10,2 cm (4"), relier le conduit d'évacuation à la bouche d'évacuation du sèche-linge. Si on utilise un système d'évacuation existant, s'assurer qu'il est propre. Le conduit d'évacuation du sèche-linge doit être fixé sur la bouche d'évacuation du sèche-linge et dans le clapet d'évacuation. S'assurer que le conduit d'évacuation est fixé au clapet d'évacuation à l'aide d'une bride de serrage de 10,2 cm (4").
2. Placer le sèche-linge à son emplacement final. Ne pas écraser ni déformer le conduit d'évacuation.
3. (Sur les modèles à gaz) Vérifier que le tuyau de gaz flexible n'est pas déformé ou écrasé.
4. Une fois que le conduit d'évacuation est raccordé, retirer les cornières et le carton.

## Mise à niveau du sèche-linge

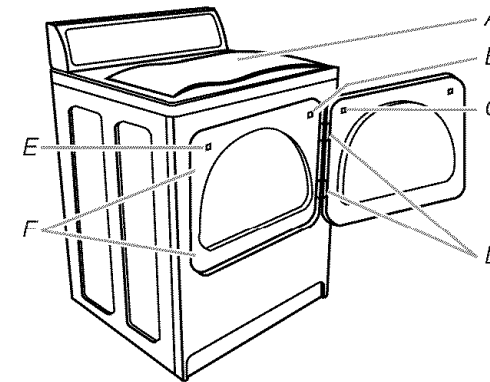
Contrôler l'aplomb du sèche-linge. Contrôler l'aplomb tout d'abord transversalement, puis dans le sens avant/arrière.



Si le sèche-linge n'est pas de niveau, le déposer sur un bloc de bois. Utiliser une clé à molette pour ajuster les pieds vers le haut ou vers le bas, et vérifier à nouveau s'il est de niveau.

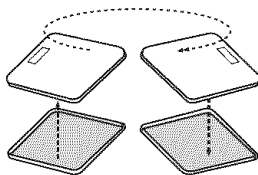
## Inversion du sens d'ouverture de la porte (facultatif)

On peut changer l'ouverture de la porte du côté droit au côté gauche si désiré.

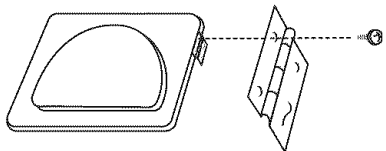


1. Placer une serviette (A) sur le sèche-linge pour protéger la surface.
2. Ouvrir la porte du sèche-linge. Oter les vis inférieures fixant les charnières (D) sur la caisse. Desserrer (sans les ôter) les vis supérieures fixant les charnières sur la caisse.
3. Soulever la porte suffisamment pour que les vis supérieures de la caisse se trouvent dans la partie élargie des trous des charnières. Tirer la porte vers l'avant pour la dégager des vis. Placer la porte (poignée vers le haut) sur le dessus du sèche-linge. Oter les vis supérieures de la caisse.
4. Enlever les vis qui fixent les charnières sur la porte.
5. Enlever les vis au sommet, en bas et sur le côté de la porte (4 vis). En tenant la porte au-dessus de la serviette sur le sèche-linge, saisir les côtés de la section externe de la porte et soulever prudemment pour la séparer de la section interne de la porte. Ne pas essayer de séparer les deux sections avec un couteau à mastic. Ne pas tirer sur le joint de la porte ou sur les loquets de plastique de la porte.

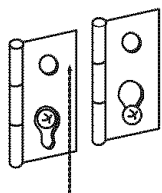
6. Veiller à maintenir la plaque de carton d'espacement centrée entre les deux sections de la porte. Réassembler la section externe et la section interne de la porte de telle manière que la poignée soit orientée du côté où les charnières viennent d'être enlevées.



7. Fixer les charnières de porte à la porte du sèche-linge de façon à ce que le trou le plus gros se trouve dans la partie inférieure de la charnière.



8. Enlever la gâche de la porte (E) de la caisse. Utiliser un petit tournevis à lame plate pour ôter soigneusement 4 bouchons d'obturation (F) du côté gauche de la caisse. Insérer les bouchons dans les trous de charnière du côté droit de la caisse.
9. Insérer les vis dans les trous inférieurs du côté gauche de la caisse. Serrer les vis à moitié. Placer la porte de telle sorte que la partie élargie du trou de charnière se trouve au-dessus des vis. Glisser la porte vers le haut de telle sorte que les vis se trouvent au bas des fentes. Serrer les vis. Insérer les vis supérieures dans les charnières et les serrer.



10. Enlever le bouchon d'obturation de la gâche de la porte (B). Insérer dans le trou la gâche qui a été enlevée à l'étape 8; fixer la gâche avec la vis. Insérer le bouchon d'obturation dans le trou d'où la gâche avait été initialement extraite; fixer le bouchon avec la vis.
11. Fermer la porte; vérifier que la gâche de la porte est alignée avec le loquet (C). Au besoin, déplacer la gâche de la porte vers la gauche ou vers la droite dans son logement pour ajuster l'alignement.

## Achever l'installation

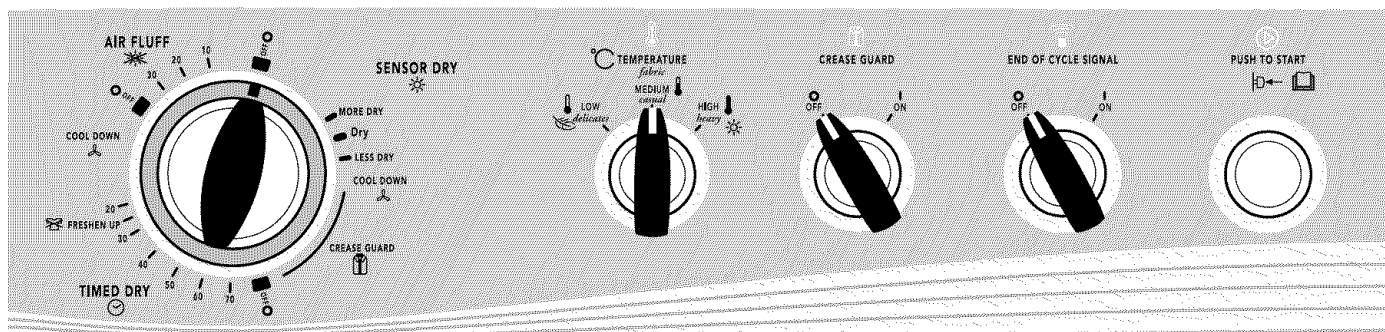
1. Vérifier que toutes les pièces sont installées. S'il reste une pièce, passer en revue les différentes étapes pour découvrir laquelle aurait été oubliée.
2. S'assurer d'avoir tout l'outillage nécessaire.
3. Jeter ou recycler tout le matériel d'emballage.
4. Vérifier l'emplacement définitif du sèche-linge. S'assurer que le conduit d'évacuation n'est pas écrasé ou déformé.
5. Vérifier que le sèche-linge est de niveau. Voir "Mise à niveau du sèche-linge".
6. Brancher sur une prise à 2 alvéoles reliée à la terre. Mettre le courant.
7. Retirer la pellicule de protection bleue sur le panneau de commande et le ruban resté sur le sèche-linge.
8. Lire "Utilisation du sèche-linge".
9. Essuyer soigneusement le tambour du sèche-linge avec un chiffon humide pour éliminer toute trace de poussière.
10. Régler le sèche-linge sur un programme de séchage complet (pas le programme de séchage sans chaleur) de 20 minutes et mettre le sèche-linge en marche.

### Si le sèche-linge ne démarre pas, vérifier ce qui suit :

- Les commandes sont réglées à la position de marche ou "On".
  - Le bouton Start (mise en marche) a été enfoncé fermement.
  - Le sèche-linge est branché sur une prise reliée à la terre.
  - L'alimentation électrique est connectée.
  - Les fusibles du domicile sont intacts et serrés, ou le disjoncteur n'est pas déclenché.
  - La porte du sèche-linge est fermée.
11. Après 5 minutes de fonctionnement, ouvrir la porte du sèche-linge et voir s'il y a de la chaleur. En cas de chaleur, annuler le programme et fermer la porte.
- ### Si aucune chaleur n'est perceptible, désactiver le sèche-linge et vérifier ce qui suit :
- Vérifier que les fusibles du domicile sont intacts et serrés ou que le disjoncteur n'est pas déclenché. Si le problème persiste, contacter un électricien qualifié.

**REMARQUE :** Il est possible que le sèche-linge dégage une odeur de brûlé lors du chauffage initial. Cette odeur est normale lorsque l'élément chauffant est utilisé pour la première fois. L'odeur disparaîtra.

# UTILISATION DE LA SÈCHEUSE



## Mise en marche du sèche-linge

### ⚠ AVERTISSEMENT



#### Risque d'explosion

Garder les matières et les vapeurs inflammables, telle que l'essence, loin du sèche-linge.

Ne pas faire sécher un article qui a déjà été touché par un produit inflammable (même après un lavage).

Le non-respect de ces instructions peut causer un décès, une explosion ou un incendie.

### ⚠ AVERTISSEMENT



#### Risque d'incendie

Aucun lave-linge ne peut complètement enlever l'huile.

Ne pas faire sécher des articles qui ont été salis par tout genre d'huile (y compris les huiles de cuisson).

Les articles contenant mousse, caoutchouc ou plastique doivent être séchés sur une corde à linge ou par le programme de séchage à l'air.

Le non-respect de ces instructions peut causer un décès ou un incendie.

**AVERTISSEMENT :** Pour réduire le risque d'incendie, de choc électrique ou de blessures corporelles, lire les IMPORTANTES INSTRUCTIONS DE SECURITE avant de faire fonctionner cet appareil.

Ce manuel couvre plusieurs modèles différents. Votre modèle peut ne pas avoir tous les programmes ou caractéristiques décrits.

Avant d'utiliser l'appareil, essayer le tambour du sèche-linge avec un linge humide pour enlever la poussière accumulée au cours de l'entreposage et de l'expédition.

1. Nettoyer le filtre à charpie avant chaque charge. Voir "Nettoyage du filtre à charpie".

2. Charger les vêtements sans les tasser dans le sèche-linge et fermer la porte. Ne pas surcharger le sèche-linge. Prévoir suffisamment d'espace pour que les vêtements puissent culbuter librement.
3. Tourner le bouton de commande de programme au programme recommandé pour le type de charge que vous séchez. Utiliser le réglage Energy Preferred [éconergique (\*)] pour sécher la plupart des tissus lourds et de poids moyen.
4. Si votre sèche-linge possède un sélecteur de température, le régler à la position recommandée pour le type de tissu à sécher. Voir "Descriptions des programmes du sèche-linge" (feuille séparée) pour des suggestions sur la température. Sur certains modèles, la température fait partie des sélections de programme.

5. (OPTION) Votre sèche-linge peut être muni d'un sélecteur pour la caractéristique WRINKLE PREVENT (antifroissement). Lorsqu'on ne peut pas enlever une charge du sèche-linge dès qu'il s'arrête, des faux plis peuvent se former. Cette caractéristique fournit un culbutage à intervalles, réarrange et aère les charges sans chauffage pour éviter les faux plis.
6. (OPTION) Votre sèche-linge peut être muni d'un END OF CYCLE SIGNAL (signal de fin de programme). Le signal est utile lorsque vous faites sécher des articles qui doivent être enlevés du sèche-linge aussitôt qu'il s'arrête.
  - Sur certains modèles, le volume du signal de fin de programme peut être ajusté. Tourner le bouton sélecteur au volume désiré.
  - Sur d'autres modèles, le signal de fin de programme fait partie du bouton de mise en marche et peut être sélectionné. Tourner le bouton START (mise en marche) à ON (marche) ou OFF (arrêt). Le signal sera entendu seulement si le bouton sélecteur est réglé à ON.
7. Sélectionner l'option désirée. Voir "Descriptions des programmes".
8. Ajouter une feuille d'assouplissant de tissus, si désiré. Suivre les instructions sur l'emballage.
9. Appuyer sur le bouton START (mise en marche).

### Fonctionnement du programme de séchage automatique

Lors de l'utilisation du programme Auto Moisture Sensing (détection automatique de l'humidité), le degré de séchage de la charge est déterminé par deux bandes métalliques (capteurs) situées à l'intérieur du sèche-linge. Les bandes métalliques aident à "sentir" la quantité d'humidité restant dans les vêtements au moment de leur passage. S'il reste de l'humidité dans les vêtements, le bouton de commande de programme n'avance pas. Au fur et à mesure du séchage, la quantité d'eau restant dans les vêtements diminue et la minuterie avance pour la suite du programme. Lorsque le degré de séchage sélectionné est atteint, le sèche-linge passe à une période de refroidissement d'une durée pouvant aller jusqu'à 10 minutes.

### Arrêt et remise en marche

On peut arrêter le sèche-linge à tout moment au cours d'un programme.

### Pour arrêter le sèche-linge

Ouvrir la porte du sèche-linge ou tourner le bouton de commande de programme à OFF.

**REMARQUE :** Le bouton de commande de programme doit pointer vers une zone d'arrêt Off quand le sèche-linge n'est pas utilisé.

### Pour remettre le sèche-linge en marche

1. Fermer la porte.
2. Sélectionner un nouveau programme et une nouvelle température (si désiré).
3. Appuyer sur le bouton START (mise en marche).

## Conseils pour séchage, programmes et température

Choisir le programme et la température corrects pour votre charge.

La période de Cool Down (refroidissement) fait culbuter la charge sans chaleur au cours des quelques dernières minutes de tous les programmes, ce qui permet de saisir les charges plus facilement.

### Conseils de séchage

- Suivre les directives sur l'étiquette lorsqu'elles sont disponibles.
- Ajouter une feuille d'assouplissant de tissus, si désiré. Suivre les instructions sur l'emballage.
- Enlever la charge du sèche-linge aussitôt que le culbutage cesse pour réduire le froissement. Cette action est particulièrement importante pour les tissus sans repassage, tricotés et tissus synthétiques.

### Conseils pour les programmes et la température

- Faire sécher la plupart des charges en utilisant le réglage Energy Preferred (éconergique) si disponible sur votre sèche-linge.
- Utiliser un réglage de High Heat (chaleur élevée) pour sécher les articles lourds tels que les serviettes et les vêtements de travail.
- Utiliser un réglage de Medium Heat (chaleur moyenne) pour sécher les articles moyennement lourds tels que draps, sous-vêtements, tissus sans repassage et certains tricotés.
- Utiliser un réglage de Low Heat (chaleur basse) pour sécher les articles légers tels que la lingerie, chemisiers, robes et certains tricotés.
- Utiliser un réglage sans chaleur (air) pour le caoutchouc, le plastique ou les tissus sensibles à la chaleur.
- Sécher sur une corde à linge les tissus doublés ou superposés.

**REMARQUE :** Si vous avez des questions au sujet des températures de séchage pour diverses charges, se référer aux directives sur l'étiquette du produit. Si vous éprouvez une incertitude à l'égard du choix d'une température pour une charge, choisir le réglage plus bas plutôt que le réglage plus élevé.

## Symboles du sèche-linge

Le panneau de commande du sèche-linge comporte divers symboles. Consulter le tableau ci-dessous pour la définition de ces symboles.



Sélecteur de température



Chaleur basse



Chaleur moyenne



Chaleur élevée



Bouton de mise en marche

## Sélecteur du signal de fin de programme



Signal de fin de programme -  
marche



Signal de fin de programme -  
arrêt

## Bouton de commande de programme

### Programmes de séchage automatique



Articles épais



Séchage - prêt à ranger Plus



Séchage - prêt à ranger



Coton



Synthétiques/Sans repassage



Séchage rapide



Délicats



Refroidissement



Séchage pour repassage



Arrêt machine



### Programmes de séchage minuté

70.....20 Minutes de séchage avec chaleur



Séchage humide



Séchage pour repassage



Refroidissement



Arrêt machine



Lire le Manuel de l'utilisateur



### Programme de séchage à l'air

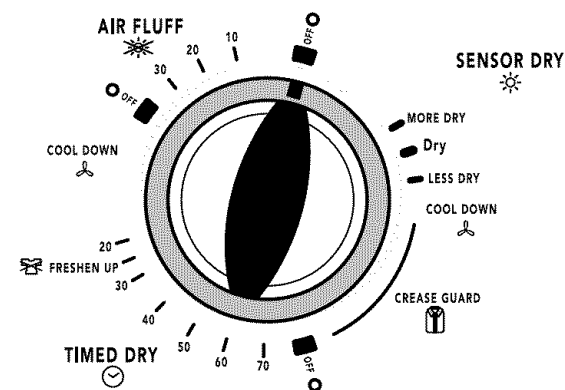
30.....10 Minutes de séchage sans chaleur



Arrêt machine

## Description des programmes

Ce manuel couvre plusieurs modèles différents. Votre sèche-linge peut différer du modèle illustré et ne pas avoir tous les programmes et caractéristiques décrits.



Bouton de réglage de programme

### Programme de séchage à détection automatique (Auto Sense)

Utiliser ce programme pour sécher la plupart des charges. La commande détecte le niveau d'humidité dans la charge et arrête le sèche-linge lorsque la charge atteint le degré de séchage choisi. Sélectionner la température au moyen du sélecteur de température en fonction des tissus dans la charge.

Vérifier le degré de séchage après avoir fait sécher une charge avec ce programme.

Si la charge est plus sèche que désiré, sélectionner un réglage plus proche de Moins sec la prochaine fois que vous séchez une charge similaire.

Si la charge n'est pas aussi sèche que désiré, terminer le séchage par un programme minuté. Sélectionner un réglage plus proche de Très sec la prochaine fois que vous séchez une charge similaire.

**REMARQUE :** La durée de séchage varie avec un programme automatique. Le type de tissu, la quantité de la charge et le degré de séchage choisi affectent la durée de séchage. Voir "Conseils pour séchage, programmes et températures".

### Programme(s) de séchage minuté (Timed Dry)

Sélectionner un réglage et une température de séchage minuté corrects pour votre charge.

Utiliser un programme de séchage minuté plus long pour les articles lourds et encombrants, tels que les couvre-lit et les vêtements de travail, ou les grosses charges qui demandent un temps de séchage prolongé. Régler le bouton de commande de la température, si disponible, à High Heat (chaleur élevée).

Utiliser un programme de séchage minuté plus court pour les articles légers, tels que la lingerie et les tricotés. Régler le bouton de commande de la température, si disponible, en fonction des tissus de votre charge.

## Programmes No Heat Fluff (duvetage ou séchage à l'air)

Utiliser le programme No Heat Fluff pour les articles qui demandent un séchage sans chaleur tels que le caoutchouc, le plastique ou les tissus sensibles à la chaleur. Régler le bouton de commande de programme à No Heat Fluff. Ce tableau montre des exemples d'articles qui peuvent être séchés avec le programme de duvetage ou séchage à l'air.

Type de charge	Programme de duvetage ou séchage à l'air*
Caoutchouc mousse - oreillers, soutiens-gorge et jouets rembourrés	20 à 30
Plastique - rideaux de douche, nappes de table	20 à 30
Tapis à endos de caoutchouc	40 à 50
Oléfine, polypropylène, nylon diaphane	10 à 20

\*(Minutes). Remettre le programme en marche pour terminer le séchage au besoin.

### Lors de l'utilisation du programme No Heat Fluff

- Vérifier que les recouvrements sont bien cousus.
- Secouer et faire bouffer les oreillers à la main périodiquement pendant le programme.
- Sécher l'article complètement. Les oreillers en caoutchouc mousse sont lents à sécher.

## Option grille de séchage

Utiliser la grille de séchage pour sécher sans culbutage les articles tels que les pullovers et oreillers. Le tambour tourne, mais la grille ne bouge pas.

Si votre modèle n'a pas de grille de séchage, vous pouvez en acheter une. Pour savoir si votre modèle permet l'utilisation d'une grille de séchage et pour obtenir des informations sur les commandes, veuillez consulter la première page de votre manuel ou contacter le vendeur chez qui vous avez acheté votre sèche-linge.

**REMARQUE :** La grille doit être enlevée pour le culbutage normal. Ne pas utiliser le programme automatique avec la grille de séchage.

## Utilisation de la grille de séchage

1. Placer la grille de séchage dans le sèche-linge.

**Style 1 :** Votre grille de séchage est munie de pieds à l'avant. Glisser les chevilles à l'arrière dans les alvéoles sur la paroi arrière du sèche-linge. Abaisser les pieds à l'avant pour qu'ils reposent sur l'ouverture du sèche-linge.

**Style 2 :** Votre grille de séchage n'est pas munie de pieds à l'avant. Ne pas retirer le filtre à charpie. Glisser la grille de séchage par dessus le bas de l'ouverture de la porte du sèche-linge. Appuyer sur la grille pour la fixer en place sur le cadre.

2. Placer les articles mouillés sur la grille de séchage. Laisser de l'espace entre les articles. Ne pas laisser d'article pendre par-dessus le bord de la grille. Fermer la porte.
3. Sélectionner un programme de séchage minuté et une température ou un programme de séchage à l'air. Les articles contenant mousse, caoutchouc ou plastique doivent être séchés sur une corde à linge ou par le programme de séchage à l'air. Se référer au tableau suivant.
4. Mettre le sèche-linge en marche. Régler de nouveau le programme pour terminer le séchage, si nécessaire.


Séchage sur grille	Programme	Temp.	Durée
Articles en laine lavables (remettre en forme et étaler à plat sur la grille)	Séchage minuté	Basse	60 min.
Jouets rembourrés ou oreillers (garnis de coton ou de polyester)	Séchage minuté	Basse	60 min.
Jouets rembourrés ou oreillers (rembourrage en caoutchouc mousse)	Air (sans chaleur)	N/A	90 min.

# ENTRETIEN DU SÈCHE-LINGE

## Nettoyage de l'emplacement du sèche-linge

Eviter de laisser des éléments qui pourraient obstruer le débit de combustion et empêcher une bonne ventilation autour du sèche-linge.

**⚠ AVERTISSEMENT**



**Risque d'explosion**

**Garder les matières et les vapeurs inflammables, telle que l'essence, loin du sèche-linge.**

**Placer le sèche-linge au moins 46 cm au-dessus du plancher pour une installation dans un garage.**

**Le non-respect de ces instructions peut causer un décès, une explosion ou un incendie.**

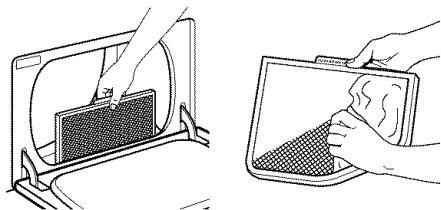
## Nettoyage du filtre à charpie

### Nettoyage avant chaque charge

Le filtre à charpie est situé dans la porte du sèche-linge. Nettoyer le filtre avant le séchage de chaque charge. Un filtre obstrué par la charpie peut augmenter le temps de séchage.

### Nettoyage

1. Tirer le filtre à charpie vers le haut. Rouler la charpie avec les doigts pour l'enlever. Ne pas rincer ni laver le filtre pour enlever la charpie. La charpie mouillée s'enlève difficilement.



2. Pousser le filtre à charpie fermement pour le remettre en place.

### IMPORTANT :

- Ne pas faire fonctionner le sèche-linge avec un filtre à charpie dégagé, endommagé, bloqué ou manquant. Une telle action peut causer un échauffement ou endommager le sèche-linge et les tissus.
- Si de la charpie tombe du filtre dans le sèche-linge lors de son enlèvement, vérifier le clapet d'évacuation et le débarrasser de la charpie accumulée. (Voir "Vérification du conduit d'évacuation".)

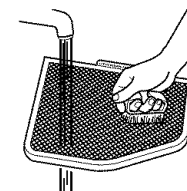
### Nettoyage au besoin

Les résidus de détergents et d'assouplissants de tissus peuvent s'accumuler sur le filtre à charpie. Cette accumulation peut causer des temps de séchage prolongés pour votre linge, ou causer un arrêt du sèche-linge avant que la charge soit complètement sèche. Le filtre est probablement obstrué si de la charpie tombe du filtre.

Nettoyer le filtre à charpie avec une brosse en nylon tous les 6 mois ou plus souvent s'il devient obstrué à la suite d'une accumulation de résidus.

### Lavage

1. Rouler la charpie avec les doigts pour l'enlever.
2. Mouiller les deux côtés du filtre à charpie avec de l'eau chaude.
3. Mouiller une brosse en nylon avec de l'eau chaude et du détergent liquide. Frotter le filtre avec la brosse en nylon pour enlever l'accumulation de résidus.



4. Rincer le filtre à l'eau chaude.
5. Sécher à fond le filtre à charpie avec une serviette propre. Replacer le filtre dans le sèche-linge.

---

## Nettoyage de l'intérieur du sèche-linge

### Nettoyage du tambour du sèche-linge

1. Préparer une pâte avec un détergent à lessive en poudre et de l'eau très chaude.
2. Appliquer la pâte sur un linge doux.

**OU**

Verser un nettoyant liquide domestique ininflammable sur la surface tachée et frotter avec un linge doux jusqu'à ce que toute la teinture qui reste soit enlevée.

3. Essuyer complètement le tambour avec un linge humide.
4. Faire culbuter une charge de linge ou de serviettes propres pour sécher le tambour.

**REMARQUE :** Les vêtements contenant des teintures instables, tels que jeans en denim ou articles en coton de couleur, peuvent décolorer l'intérieur du sèche-linge. Ces taches ne sont pas nuisibles à votre sèche-linge et ne tacheront pas les vêtements dans les charges futures. Faire sécher les articles fabriqués d'une teinture instable en les tournant à l'envers pour empêcher le transfert de la teinture.

---

## Enlever la charpie accumulée

### À l'intérieur de la caisse du sèche-linge

Il faut retirer la charpie tous les 2 ans ou plus souvent, selon l'utilisation du sèche-linge. Le nettoyage doit être effectué par une personne qualifiée.

### Dans le conduit d'évacuation

Il faut retirer la charpie tous les 2 ans ou plus souvent, selon l'utilisation du sèche-linge.

---

## Précautions à prendre pour les vacances et avant un déménagement

---

### Période de vacances

On ne doit faire fonctionner le sèche-linge que lorsqu'on est présent sur place. Si l'utilisateur doit partir en vacances ou n'utilise pas le sèche-linge pendant une période prolongée, il convient d'exécuter les opérations suivantes :

1. Débrancher le sèche-linge ou déconnecter la source de courant électrique.
2. Laver le filtre à charpie.

---

### Précautions à prendre avant un déménagement

1. Débrancher le sèche-linge ou déconnecter la source de courant électrique.
2. Veiller à ce que les pieds de nivellement soient fixés solidement à la base du sèche-linge.
3. Utiliser du ruban masque pour fixer la porte du sèche-linge.

# DEPANNAGE

Essayer d'abord les solutions suggérées ici, ce qui vous évitera peut-être le coût d'une visite d'entretien...

## Fonctionnement du sèche-linge

### Le sèche-linge ne fonctionne pas

- **Un fusible est-il grillé ou un disjoncteur s'est-il déclenché?**  
Vérifier que le fusible est intact et serré ou que le disjoncteur n'est pas déclenché. Si le problème persiste, appeler un électricien.
- **Une alimentation électrique correcte est-elle disponible?**  
Les sèche-linge électriques nécessitent une alimentation électrique de 230 V. Vérifier avec un électricien qualifié.
- **A-t-on utilisé un fusible ordinaire?**  
Utiliser un fusible temporisé.
- **La porte du sèche-linge est-elle bien fermée?**
- **Le bouton de mise en marche est-il bien enfoncé ?**

### Absence de chaleur

- **Un fusible est-il grillé ou un disjoncteur s'est-il déclenché?**  
Vérifier que le fusible est intact et serré ou que le disjoncteur n'est pas déclenché. Si le problème persiste, appeler un électricien.

### Bruits inhabituels

- **Le sèche-linge est-il resté hors service pendant un certain temps?**  
Si le sèche-linge n'a pas été utilisé depuis quelques temps, il est possible qu'il émette des bruits saccadés au cours des premières minutes de fonctionnement.
- **Une pièce de monnaie, un bouton ou un trombone sont-ils coincés entre le tambour et l'avant ou l'arrière du sèche-linge?**  
Vérifier les bords avant et arrière du tambour pour voir si de petits objets y sont coincés. Vider les poches avant de faire la lessive.
- **Les quatre pieds sont-ils installés et le sèche-linge est-il de niveau de l'avant vers l'arrière et transversalement?**  
Le sèche-linge peut vibrer s'il n'est pas correctement installé. Voir les Instructions d'installation.
- **Les vêtements sont-ils emmêlés ou en boule?**  
Une charge en boule rebondit, ce qui fait vibrer le sèche-linge. Séparer les articles de la charge et remettre le sèche-linge en marche.

### La minuterie ne progresse pas visiblement

- **Séchage minuté ou séchage à l'air?**  
La minuterie progresse lentement et de façon continue au cours de la durée réglée.
- **Séchage automatique?**  
La minuterie ne progresse que lorsque le linge est pratiquement sec. Voir "Fonctionnement du programme de séchage automatique" dans "Utilisation du sèche-linge".

## Résultats du sèche-linge

### Le séchage des vêtements n'est pas satisfaisant, les durées de séchage sont trop longues, la charge est trop chaude

- **Le filtre à charpie est-il obstrué de charpie?**  
Le filtre à charpie doit être nettoyé avant chaque charge.

## ⚠ AVERTISSEMENT



### Risque d'incendie

Utiliser un conduit d'évacuation en métal lourd.

Ne pas utiliser un conduit d'évacuation en plastique.

Ne pas utiliser un conduit d'évacuation en feuille de métal.

Le non-respect de ces instructions peut causer un décès ou un incendie.

- **Le conduit d'évacuation ou le clapet d'évacuation à l'extérieur est-il obstrué de charpie, restreignant le mouvement de l'air?**  
Faire fonctionner le sèche-linge pendant 5 à 10 minutes. Tenir la main sous le clapet d'évacuation à l'extérieur pour vérifier le mouvement de l'air. Si vous ne ressentez pas de l'air en mouvement, nettoyer le système d'évacuation ou remplacer le conduit d'évacuation par un conduit en métal lourd ou flexible en métal. Voir les Instructions d'installation.

- **Des feuilles d'assouplissant de tissus bloquent-elles la grille de sortie?**  
Utiliser seulement une feuille d'assouplissant par charge et ne l'utiliser qu'une seule fois.
- **Le conduit d'évacuation a-t-il la longueur appropriée?**  
Vérifier que le conduit d'évacuation n'est pas trop long ou ne comporte pas trop de changements de direction. Un long conduit augmentera les durées de séchage. Voir les Instructions d'installation.
- **Le diamètre du conduit d'évacuation a-t-il la taille correcte?**  
Utiliser un composant de 10,2 cm (4") de diamètre.

**⚠ AVERTISSEMENT**



**Risque d'explosion**

**Garder les matières et les vapeurs inflammables, telle que l'essence, loin du sèche-linge.**

**Placer le sèche-linge au moins 46 cm au-dessus du plancher pour une installation dans un garage.**

**Le non-respect de ces instructions peut causer un décès, une explosion ou un incendie.**

- **Le sèche-linge se trouve-t-il dans une pièce où la température ambiante est inférieure à 7°C (45°F)?**  
Le bon fonctionnement des programmes du sèche-linge nécessite une température ambiante supérieure à 7°C (45°F).
- **Le sèche-linge est-il installé dans un placard?**  
Les portes du placard doivent comporter des ouvertures d'aération au sommet et en bas de la porte. Un espace minimum de 2,5 cm (1") est nécessaire sur les côtés et à l'avant du sèche-linge, et un espace de 12,7 cm (5") est nécessaire à l'arrière du sèche-linge. Voir les Instructions d'installation.
- **A-t-on sélectionné un programme de séchage à l'air?**  
Choisir le bon programme pour les types de vêtements à sécher.
- **La charge est-elle trop grosse et trop lourde pour sécher rapidement?**  
Séparer la charge pour qu'elle culbute librement.

## Temps de programme trop court

**⚠ AVERTISSEMENT**

**Risque du poids excessif**

**Utiliser deux ou plus de personnes pour déplacer et installer le sèche-linge.**

**Le non-respect de cette instruction peut causer une blessure au dos ou d'autre blessure.**

- **Le programme automatique se termine-t-il trop tôt?**  
La charge n'est peut-être pas en contact avec les bandes de détection. Régler le niveau du sèche-linge.  
  
Modifier le réglage du degré de séchage pour les programmes automatiques. L'augmentation ou la diminution du degré de séchage modifiera la durée de séchage d'un programme.

## Charpie sur la charge

- **Le filtre à charpie est-il obstrué?**  
Nettoyer le filtre à charpie avant chaque charge.

## Taches sur la charge ou sur le tambour

- **L'assouplissant de tissus pour sèche-linge a-t-il été utilisé correctement?**  
Ajouter les feuilles d'assouplissant de tissus au début du programme. Les feuilles d'assouplissant de tissus ajoutées à une charge partiellement sèche peuvent tacher les vêtements.  
  
Les taches sur le tambour sont dues aux teintures contenues dans les vêtements (les jeans en général). Il n'y aura pas de transfert sur les autres vêtements.

## Charges froissées

- **La charge a-t-elle été retirée du sèche-linge à la fin du programme?**
- **Le sèche-linge a-t-il été surchargé?**  
Faire sécher de plus petites charges qui peuvent culbutter librement.

## Odeurs

- **Avez-vous récemment employé peinture, teinture ou vernis dans la pièce où est installé votre sèche-linge?**  
Si c'est le cas, aérer la pièce. Une fois les odeurs ou émanations disparues, laver et sécher à nouveau les vêtements.
- **Le sèche-linge est-il utilisé pour la première fois?**  
Le nouvel élément de séchage électrique peut émettre une odeur. L'odeur disparaîtra après le premier programme.

## ASSISTANCE OU REPARATION

Avant de faire un appel pour assistance ou réparation, veuillez vérifier la section "Dépannage". Cette vérification peut vous faire économiser le coût d'une visite de réparation. Si vous avez encore besoin d'aide, contactez le revendeur chez qui vous avez acheté le sèche-linge ou une entreprise de réparation désignée par Maytag.

Lors d'un appel, veuillez connaître la date d'achat et les numéros de modèle et de série complets de votre appareil. Ces renseignements nous aideront à mieux répondre à votre demande.

### **Si vous avez besoin de pièces de rechange**

Si vous avez besoin de commander des pièces de rechange, nous vous recommandons d'utiliser seulement les pièces de rechange FSP®. Les pièces de rechange FSP® conviendront et fonctionneront parfaitement car elles sont fabriquées avec la même précision utilisée pour chaque nouvel appareil MAYTAG®.

### **Pour vous procurer des pièces de rechange FSP® dans votre région :**

Contactez le revendeur chez qui vous avez acheté le sèche-linge ou une entreprise de réparation désignée par Whirlpool.

# SICUREZZA DELL'ASCIUGATRICE

## La vostra sicurezza e la sicurezza degli altri sono molto importanti.

In questo manuale sono contenuti molti importanti messaggi di sicurezza e sull'elettrodomestico. Leggere e seguire sempre tutti i messaggi di sicurezza.



Questo è il simbolo di pericolo per la sicurezza.

Questo simbolo avverte della presenza di possibili pericoli che possono uccidere o ferire voi o altre persone.

Tutti i messaggi di sicurezza seguiranno il simbolo di pericolo per la sicurezza nonché la parola "PERICOLO" o la parola "AVVERTENZA".

Queste parole significano:

**⚠ PERICOLO**

Esiste il pericolo di morte o grave infortunio se non si seguono immediatamente le istruzioni.

**⚠ AVVERTENZA**

Esiste il pericolo di morte o grave infortunio se non si seguono le istruzioni.

Tutti i messaggi di sicurezza indicano quale sia il possibile pericolo, come ridurre la possibilità di infortunio e cosa può capitare se non si seguono le istruzioni.

## IMPORTANTI ISTRUZIONI SULLA SICUREZZA

**ATTENZIONE:** Per ridurre il rischio di incendi, scosse elettriche o infortuni a persone durante l'uso dell'asciugatrice, seguire le precauzioni di base, incluse le seguenti:

- Leggere tutte le istruzioni prima di usare l'asciugatrice.
- Le asciugatrici a gas devono essere installate solo in stanze dotate dei requisiti necessari di aerazione specificati nelle norme nazionali di installazione. Assicurarsi che nella stanza in cui si trova l'asciugatrice ci sia un ricambio d'aria adeguato alla combustione del gas e/o per le operazioni di asciugatura. Durante il funzionamento dell'asciugatrice nella stanza ci deve essere una finestra aperta o un altro sistema di aerazione simile (come una feritoia regolabile, un pannello incernierato o un altro mezzo di aerazione che si apra direttamente verso l'esterno).
- Mantenere una distanza minima di 10 cm fra il retro dell'asciugatrice e qualsiasi parete.
- Il funzionamento di questo elettrodomestico può avere degli effetti sul funzionamento di altri elettrodomestici a gas che utilizzano l'aria della stessa stanza per una combustione sicura. Durante l'uso dell'asciugatrice è necessario che vi sia un'aerazione adeguata per ridurre l'aria viziata e quindi evitare il riflusso nella stanza di gas provenienti da elettrodomestici che bruciano altri carburanti, incluse le fiamme libere. In caso di dubbio, consultare i costruttori degli elettrodomestici.
- Non ostruire l'aerazione nell'asciugatrice (vedere "Istruzioni d'installazione" per le distanze minime).

**CONSERVARE QUESTE ISTRUZIONI**

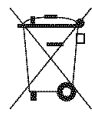
## IMPORTANTI ISTRUZIONI SULLA SICUREZZA

- Non mettere nell'asciugatrice oggetti che sono stati in contatto con oli da cucina. Gli oggetti unti con oli da cucina possono contribuire ad una reazione chimica che potrebbe provocare un incendio nel carico.
- I capi che sono stati sporcati con sostanze come olio da cucina, acetone, alcool, benzina, cherosene, smacchiatori, trementina, cere e prodotti per la rimozione della cera devono essere lavati in acqua calda con una quantità maggiore di detersivo prima di essere messi nell'asciugatrice. Questi oggetti possono emanare vapori che potrebbero originare un incendio o esplodere.
- Non permettere ai bambini di giocare sopra o dentro l'asciugatrice. È necessario sorvegliare attentamente i bambini se si trovano vicino all'asciugatrice in funzione.
- Prima di spostare l'asciugatrice per eseguirne la manutenzione o lo smaltimento, rimuovere lo sportello di accesso del vano di asciugatura.
- Non inserire le mani nell'asciugatrice se il tamburo è in movimento. Per sicurezza, è stato installato un interruttore sullo sportello.
- Non installare o collocare l'asciugatrice in un luogo esposto alle intemperie.
- Non manomettere i comandi.
- Non continuare ad usare l'elettrodomestico se lo stesso sembra essere danneggiato.
- Non riparare o sostituire parti dell'asciugatrice a meno che ciò non sia consigliato specificamente nella Guida all'Uso ed alla Manutenzione. Le riparazioni e la manutenzione devono essere eseguite solamente da personale competente.
- Non usare ammorbidenti o altri prodotti antistatici a meno che non sia consigliato dai produttori dell'ammorbidente o del prodotto. Seguire le loro istruzioni.
- Pulire il filtro per pelucchi prima o dopo ogni carico. Non utilizzare l'asciugatrice senza il filtro per pelucchi.
- Mantenere l'area intorno alle aperture di scarico e di imbocco, nonché le zone circostanti, sgombrare dall'accumulo di pelucchi, polvere e sporcizia.
- L'interno dell'asciugatrice e lo scarico vanno puliti periodicamente da personale di manutenzione qualificato.
- Vedere le Istruzioni di Installazione per le istruzioni sulla messa a terra.
- Se il cavo di alimentazione è danneggiato, per evitare pericoli dovrà essere sostituito dal costruttore o da un suo tecnico o altra persona ugualmente qualificata.
- Non asciugare oggetti non lavati.
- I capi come la gommapiuma o (lattice), cuffie da doccia, tessuti impermeabili, articoli foderati di gomma e gli indumenti o i cuscini imbottiti in gommapiuma non devono essere asciugati nell'asciugatrice.
- La fase finale del ciclo di asciugatura avviene senza calore (periodo di raffreddamento) per garantire che i capi rimangano a una temperatura tale da non poter essere rovinati.

**ATTENZIONE:** Non interrompere mai il ciclo di un'asciugatrice prima della fine del ciclo a meno che tutti i capi non vengano rimossi rapidamente e stesi fuori in modo da non essere squalciti.

**CONSERVARE QUESTE ISTRUZIONI**

## SMALTIMENTO DELL'ASCIUGATRICE



Questo elettrodomestico è stato contrassegnato in ottemperanza alla Direttiva Europea 2002/ 96/ EC sulle Attrezzature Elettriche ed Elettroniche da Smaltire (WEEE).

Assicurarsi che questo prodotto venga eliminato correttamente, in modo da evitare possibili conseguenze dannose per l'ambiente e la salute umana, che potrebbero altrimenti sorgere dalla gestione errata dello smaltimento dell'elettrodomestico stesso.

Il simbolo sul prodotto, o sui documenti che lo accompagnano, indica che questo elettrodomestico non deve essere trattato come un rifiuto domestico. Deve, al contrario, essere consegnato al punto di raccolta previsto per il riciclaggio di attrezzature elettriche ed elettroniche.

L'eliminazione deve essere eseguita in ottemperanza alle norme ambientali sullo smaltimento dei rifiuti.

Per ulteriori informazioni dettagliate sul trattamento, il recupero ed il riciclaggio di questo prodotto, si prega di contattare l'ufficio municipale più vicino, il servizio di smaltimento dei rifiuti domestici o il negozio dove è stato acquistato questo prodotto.

# ISTRUZIONI INSTALLAZIONE

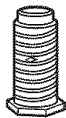
## Attrezzi e Pezzi

Assemblare tutti gli attrezzi richiesti e i pezzi necessari prima di iniziare l'installazione. Leggere e seguire le istruzioni fornite con tutti gli attrezzi elencati qui sotto.

- Cacciavite a lama piatta
- #2 Cacciavite a stella
- Chiave inglese regolabile con apertura fino a 2.54 cm. (1 in.) o chiave inglese a tubo testa esagonale (per regolare i piedini dell'asciugatrice).
- Forbici per lamiere (allacciamento nuovo scarico)
- Livella
- Pinze scarico
- Pistola per tubi e sigillante (per installazione nuovo scarico)
- Nastro centimetrato.

## Pezzi forniti

Rimuovere l'involucro dal cestello dell'asciugatrice. Controllate che tutte i pezzi siano inclusi.



4 Piedini regolabili

## Pezzi necessari

Verificare i codici. Controllare la fornitura elettrica e lo scarico esistente. Vedere la sezione "Requisiti Elettrici" e "Requisiti Ventilazione" prima di acquistare dei pezzi.

## Esigenze di Collocazione

### ⚠ AVVERTENZA



#### Pericolo di Esplosione

**Tenere i materiali ed i vapori infiammabili, come la benzina, lontano dall'asciugatrice.**

**Collocare l'asciugatrice almeno 46 cm sopra il pavimento in caso di installazione in garage.**

**La non ottemperanza a queste istruzioni potrebbe provocare la morte, un'esplosione o un incendio.**

## Sono necessari

- Una posizione che consente un allacciamento adeguato dello scarico. Vedere "Requisiti Evacuazione".
- Un circuito separato da 30-amp.
- Una presa elettrica messa a terra situata entro 61 cm. (2 ft.) da entrambi i lati dell'asciugatrice. Vedere "Requisiti Elettrici".
- Un pavimento solido per sostenere il peso totale (asciugatrice e carico) di 90.7 Kg (200 lb). Si dovrebbe prendere in conto anche il peso di eventuali altri apparecchi.
- Un pavimento piano con una pendenza massima di 2.5 cm. (1 in.) sotto l'intera asciugatrice (se la pendenza è superiore ai 2.5 cm. (1 in.), utilizzare il kit di piedini regolabili, il pezzo numero 279810). Se l'asciugatrice non è in posizione orizzontale, il carico non può girare facilmente ed i modelli che prevedono cicli con sensore automatico non possono funzionare correttamente.

Non avviare l'asciugatrice ad una temperatura inferiore a 7°C (45°F). Ad una temperatura inferiore, l'asciugatrice potrebbe non spegnersi alla fine di un ciclo automatico. Il tempo di asciugatura potrebbe allungarsi.

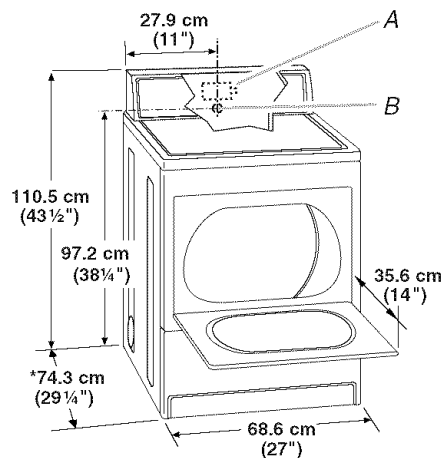
L'asciugatrice non può essere installata o posizionata in un luogo esposto all'acqua e/o alle intemperie.

Controllare i requisiti di codice. Alcuni codici limitano, o non consentono, l'installazione dell'asciugatrice in garage, armadi, roulotte o dormitori. Contattate il vostro ispettore edile locale.

## Spazi per l'installazione

L'asciugatrice deve essere collocata in un locale abbastanza ampio tale da consentire un'apertura completa dello sportello.

## Dimensioni asciugatrice

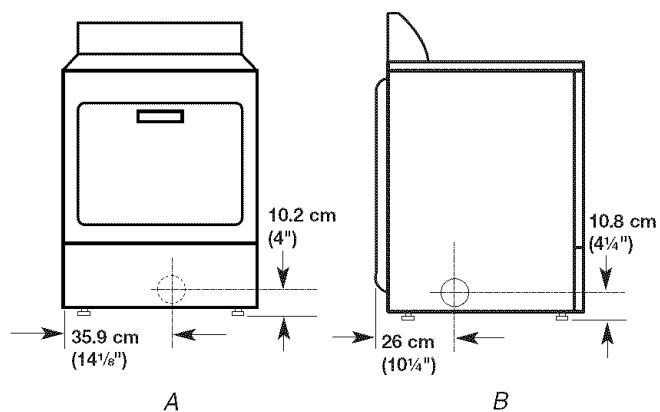


A. Coperchio morsetteria

B. Supporto di arrotolamento cordone/cavo di alimentazione

\*La maggior parte delle installazioni richiede una distanza minima di 12.7 cm. (5 in.) dietro l'asciugatrice per lo scarico a gomito. Vedere "Requisiti Evacuazione".

## Dimensioni scarico



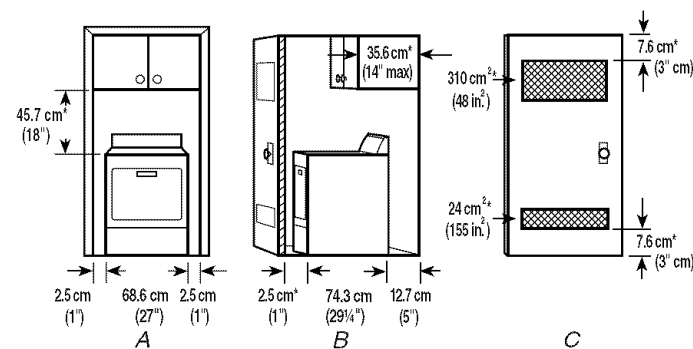
A. Retro dello scarico

B. Lato destro e sinistro scarico

## Lo spazio di installazione per una zona ad angolo o installazione in un armadio

Per questa asciugatrice si consiglia lo spazio delle dimensioni seguenti. L'asciugatrice è stata collaudata ad una distanza di 0 cm (0 in.) dai lati e dalla parte di dietro. Uno spazio ulteriore deve essere preso in conto per i motivi seguenti:

- Si consiglia di prevedere uno spazio ulteriore per una installazione ed un'assistenza più comoda.
- Degli spazi supplementari potrebbero essere necessari per il muro, la porta e il cornicione.
- Si consiglia di prevedere uno spazio ulteriore da tutti i lati dell'asciugatrice per attutire il rumore.
- Per l'installazione ad incasso, con uno sportello, è necessario un minimo di ventilazione nelle aperture sopra e sotto lo sportello.
- Tenere conto anche dello spazio necessario per un ulteriore elettrodomestico.



A. Incassata

B. Vista laterale - zona chiusa o ristretta

C. Porta chiusa con prese d'aria

\*Spazio aggiuntivo richiesto

## Requisiti Elettrici


**IMPORTANTE:** Osservare tutti i codici e le normative nazionali.

### E' di vostra responsabilità

- Mettersi in contatto con un installatore qualificato per assicurare che l'installazione elettrica sia adeguata e in conformità con tutti i codici e le normative locali.
- Fornire il 2 cavi richiesti, monofase, 230 volt, 50 hertz, su una alimentazione elettrica AC su un circuito separato 30-amp. E' raccomandato inoltre un fusibile ad azione ritardata o un interruttore automatico. Connettere ad un ramo separato del circuito.

**NOTA:** In conformità con la direttiva Europea (89/336/EEC) l'impedenza massima del sistema d'alimentazione a cui l'asciugatrice è connessa dovrebbe essere di 0.302 Ohm + j0.189 Ohm.

**⚠ AVVERTENZA**



**Pericolo di Scossa**

**È necessaria la messa a terra di questa asciugatrice.**

**Non sostituire la spina elettrica. Se la spina non combacia con la presa elettrica, far installare una presa adatta da un elettricista qualificato.**

**Non installare fusibili nel circuito neutro o di messa a terra.**

**Non usare una prolunga con questa asciugatrice.**

**Consultare un elettricista qualificato per assicurarsi che l'asciugatrice sia messa a terra correttamente.**

**Non inserire la spina in una presa elettrica alimentata prima di avere collegato il cavo di alimentazione con la morsettiera.**

**Non riusare la spina vecchia.**

**L'inottemperanza a queste istruzioni può causare morte, incendio, o un grave infortunio.**

- Per minimizzare il rischio di scossa, il cavo deve essere inserito in una presa femmina. Assicurarsi che la presa a muro arrivi fino alla posizione finale dell'asciugatrice.

- Inserire il cavo dell'alimentazione in una presa a terra. Dovrebbe essere collegata ad una presa la cui tensione è indicata sulla targhetta. Il voltaggio minimo del fusibile dovrebbe essere 16A. L'asciugatrice deve essere posizionata in modo che la spina sia accessibile. Se non si utilizza la presa giusta, il collegamento elettrico deve essere effettuato da un elettricista competente in conformità con i codici locali o nazionali.
- Se il cavo di alimentazione è danneggiato, dovrà essere sostituito con un cavo appositamente predisposto da un professionista autorizzato o persona avente competenze simili.
- Non usare un adattatore.
- Se i codici lo consentono e si usa una messa a terra in più, si raccomanda che un elettricista competente verifichi la correttezza della messa a terra.

Per informazioni sui pezzi di ricambio, vedere "Assistenza e Servizi."

### ISTRUZIONI PER LA MESSA A TERRA

- Per un'asciugatrice già messa a terra e collegata con la spina:

Questa asciugatrice deve essere messa a terra. In caso di malfunzionamento o guasto, la messa a terra ridurrà il rischio di scossa elettrica offrendo minore resistenza alla corrente elettrica. La spina deve essere inserita in una presa correttamente installata e messa a terra secondo tutte le norme ed i codici vigenti.

**AVVERTENZA:** il collegamento errato del cavo di messa a terra può causare una scossa elettrica. Consultare un elettricista o un tecnico qualificato se si hanno dei dubbi sulla messa a terra dell'asciugatrice. Non modificare la spina fornita con l'asciugatrice: se la spina non entra nella presa, chiedere ad un elettricista qualificato di installare una presa corretta.

**CONSERVARE QUESTE ISTRUZIONI**

## Requisiti Evacuazione

**⚠ AVVERTENZA**



**Pericolo d'Incendio**

**Usare uno scarico d'aria in metallo pesante**

**Non usare uno scarico d'aria in plastica**

**Non usare uno scarico d'aria in lamina di metallo.**

**La non ottemperanza a queste istruzioni potrebbe provocare la morte o un incendio.**

**ATTENZIONE:** per ridurre il rischio di incendio, l'asciugatrice DEVE SCARICARE ALL'ESTERNO.

**IMPORTANTE:** Osservare i codici e le normative nazionali.

Lo scarico dell'asciugatrice non deve essere connesso nello sfiatoio del gas, del camino, nella parete, soffitto o nello spazio chiuso di un immobile.

### Se si usa un sistema di evacuazione già esistente

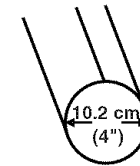
- Togliere i pelucchi dall'intera lunghezza del sistema e assicurarsi che la cappa dello scarico non sia otturata dai pelucchi.
- Sostituire lo sfiatoio in metallo sottile o plastica con uno sfiatoio in metallo pesante rigido o flessibile.
- Schema Sistema di Evacuazione. Modificare il sistema di evacuazione esistente se necessario per utilizzare al meglio l'asciugatrice.

### Se si usa un nuovo sistema di evacuazione

#### Materiale per lo scarico

- Usare uno sfiatoio in metallo rigido. Non usare uno sfiatoio in metallo leggero.

- Si deve usare uno sistema di evacuazione in metallo pesante da 10.2 cm. (4 in.) e dei morsetti.



sistema di evacuazione in metallo pesante da 10.2 cm. (4 in.)

I prodotti per lo sfiatoio possono essere acquistati dal vostro rivenditore chiamando Maytag Services. Per maggiori informazioni, consultare la sezione "Assistenza o Manutenzione".

#### Sfiatoio in metallo rigido

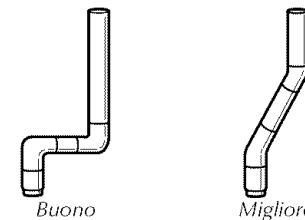
- Per un migliore funzionamento, si consiglia uno sfiatoio in metallo rigido.
- Si preferisce uno sfiatoio in metallo rigido per evitare che venga schiacciato o piegato.

#### Sfiatoio in metallo flessibile

- Uno sfiatoio in metallo flessibile è ammesso se è facilmente accessibile per essere pulito.
- Uno sfiatoio in metallo flessibile deve essere completamente esteso e mantenuto una volta che l'asciugatrice è nel suo alloggiamento definitivo.
- Rimuovere il flessibile di scarico in eccesso per evitare che si incurvi o schiacci provocando un'aerazione ridotta e delle prestazioni limitate.
- Non installare lo sfiatoio flessibile in una parete chiusa, nel soffitto o pavimento.

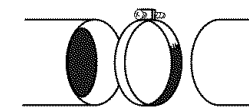
#### Gomiti

Dei gomiti a 45° forniscono un flusso d'aria migliore che i gomiti a 90°.



#### Fascette di Serraggio

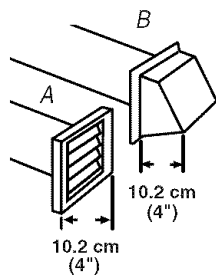
- Usare delle fascette di Serraggio per sigillare bene tutte le giunture.
- Lo sfiatoio non deve essere connesso o fissato con delle viti o un altro dispositivo di fissaggio che arrivano fino all'interno del condotto. Non usare nastro adesivo.



Morsetto

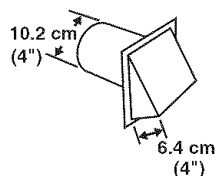
## Condotto di scarico

Si raccomandano i seguenti tipi di cappe..



A. Cappa a persiana  
B. Cappa chiusa a cassa

Tipo di cappa ad angolo (mostrata qui sotto) consentita..



- La cappa dello scarico dovrebbe ricoprire lo sfiatatoio per impedire a roditori e insetti di entrare in casa.
- La cappa dello scarico deve essere ad una distanza da terra di almeno 30.5 cm. (12 in.) o da ogni oggetto che può trovarsi sul percorso dello scarico (come fiori, rocce o cespugli, linea della neve, ecc.).
- Non usare una serratura magnetica per la chiusura dello scarico..

### Una ventilazione impropria può causare l'accumulazione di umidità e pelucchi nella stanza, provocando:

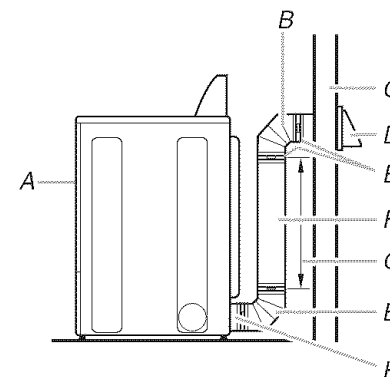
- Danni di umidità al legno, ai mobili, alla vernice, alla carta da parati, ai tappeti, ecc.
- Problemi nel pulire la casa e problemi di salute.

## Schema Sistema di Scarico

### Scegliere il vostro tipo di allacciamento dello scarico

#### Installazioni raccomandate

Gli allacciamenti dello sfiatatoio si effettuano di regola sul retro dell'asciugatrice. Sono possibili anche altri allacciamenti.



A. Asciugatrice  
B. Gomito  
C. Parete  
D. Cappa scarico  
E. Fascette di Serraggio  
F. Sfiatatoio di metallo o di metallo flessibile  
G. Lunghezza dello sfiatatoio necessaria per collegare i gomiti  
H. Uscita scarico

#### Installazioni opzionali per lo scarico

Quest'asciugatrice può essere montata con uno scarico sul lato destro, sinistro, o nella parte di sotto. Se preferite, potete contattare il vostro rivenditore di zona per modificare l'asciugatrice.

## AVVERTENZA

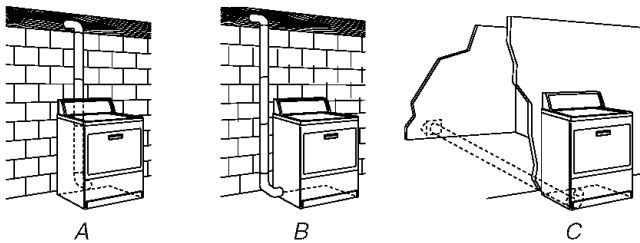


### Pericolo di Incendio

Coprire gli altri orifizi di scarico con il seguente kit:  
279818 (bianco)

Contattare il rivenditore locale.

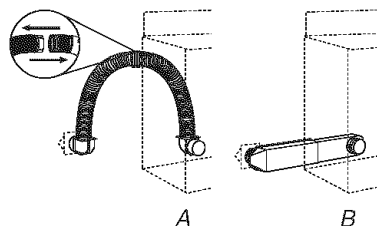
L'inottemperanza a queste istruzioni può causare morte, incendio, scossa elettrica o grave infortunio.



A. Installazione standard dello scarico sul retro  
 B. Installazione dello scarico lato sinistro o destro  
 C. Installazione dello scarico nella parte di sotto

### Allacciamenti alternativi per spazi chiusi

I sistemi di evacuazione possono essere diversi. Selezionare il tipo più adatto per la vostra installazione. Nell'immagine sono mostrati due tipi di allacciamenti in spazi chiusi. Riferirsi alle istruzioni del costruttore.



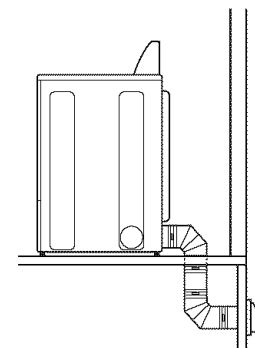
A. Allacciamento consigliato (disponibile solo con sezione a gomito)  
 B. Allacciamento a periscopio

**NOTA:** Sono in vendita i seguenti kit per gli allacciamenti alternativi in spazi chiusi. Vedere la sezione "Assistenza o Manutenzione" per ordinare.

- Allacciamento consigliato:  
 Pezzo Numero 4396028
- Allacciamento periscopio (Per uso con scarico dell'asciugatrice abbinato a scarico a muro):  
 Pezzo Numero 4396037 - da 0 cm. (0 in.) a 45.72 cm. (18 in.) abbinato  
 Pezzo Numero 4396011 - da 45.72 cm. (18 in.) a 73.66 cm. (29 in.) abbinato  
 Pezzo Numero 4396014 - da 73.66 cm. (29 in.) a 127 cm. (50 in.) abbinato

### Forniture speciali per allacciamenti su mobil-home

Lo scarico deve essere fissato saldamente ad una parte non combustibile della struttura del mobil-home e non deve terminare al di sotto del mobil-home. Fate terminare lo scarico all'esterno.



### Determinare il percorso dello scarico

- Selezionare l'itinerario che consentirà il percorso esterno più dritto e diretto.
- Progettare l'allacciamento per usare il minor numero possibile di gomiti e di curve.
- Quando si usano dei gomiti o si fanno delle curve, cercando di avere quanto più spazio possibile.
- Curvare lo scarico gradualmente per evitare di piegarlo.
- Usare il meno possibile di curve a 90°.

### Determinare la lunghezza dello scarico e i gomiti necessari per ottenere le migliori prestazioni di asciugatura

- Usare lo schema del sistema di sotto per determinare il tipo di materiale per lo scarico e le combinazioni di cappa convenienti per l'uso.

**NOTE:** Non usare un percorso di scarico più lungo di quello specificato nello schema del sistema di Evacuazione. I sistemi di scarico più lunghi di quelli specificati potrebbero:

- Diminuire la durata di vita dell'asciugatrice.
- Ridurre le prestazioni, allungare i tempi di asciugatura e aumentare il consumo di energia elettrica.

Lo schema del sistema di Scarico indica i requisiti che vi aiuteranno a trarre il massimo delle prestazioni dall'Asciugatrice.

### Schema sistema di scarico

**NOTA:** Le installazioni laterali e di sotto dello scarico hanno una curva di 90° all'interno dell'asciugatrice. Per determinare la lunghezza massima dello scarico, aggiungere una curva di 90° al progetto.

Numero di curve o gomiti a 90°	Tipo di scarico	Cappa chiusa a cassa o a persiana	Cappa ad angolo
0	Metallo rigido	20m (64 ft.)	17.7 m (58 ft.)
	Metallo flessibile	11m (36 ft.)	8.5 m (28 ft.)
1	Metallo rigido	16.5 m (54 ft.)	14.6 m (48 ft.)
	Metallo flessibile	9.4 m (31 ft.)	7 m (23 ft.)
2	Metallo rigido	13.4 m (44 ft.)	11.6 m (38 ft.)
	Metallo flessibile	8.2 m (27 ft.)	5.8 m (19 ft.)
3	Metallo rigido	10.7 m (35 ft.)	8.8 m (29 ft.)
	Metallo flessibile	7.6 m (25 ft.)	5.2 m (17 ft.)
4	Metallo rigido	8.2 m (27 ft.)	6.4 m (21 ft.)
	Metallo flessibile	7 m (23 ft.)	4.6 m (15 ft.)

## Installazione sistema di evacuazione

1. Installare la cappa dello scarico. Usare la pistola per tubi e composto per sigillare l'apertura esterna della parete intorno al cappuccio dello scarico.
2. Collegare il condotto alla cappa dello scarico. Il condotto deve entrare all'interno della cappa dello scarico. Fissare il condotto alla cappa dello scarico con il morsetto di 10,2 cm. (4 in.).
3. Mettere lo sfiatatoio nell'alloggio dell'asciugatrice. Utilizzare il percorso più diretto possibile. Vedere "Determinare il percorso dello scarico" nello "Schema sistema di Scarico." Evitare curve a 90°. Utilizzare delle fascette di serraggio per sigillare tutte le giunture. Non usare nastro adesivo per elettricisti, viti o altri strumenti di fissazione che arrivano fino all'interno dello scarico d'aria per fissare quest'ultimo.

## Installare i piedini di livellamento

### ⚠ AVVERTENZA

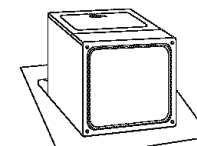
#### Pericolo di Peso Eccessivo

Avvalersi di due o più persone per spostare ed installare l'asciugatrice.

L'inottemperanza a questa avvertenza può causare infortuni alla schiena o altri incidenti.

1. Per proteggere il pavimento, usare un pezzo di cartone grande e piatto preso dall'imballaggio dell'asciugatrice. Disporre il cartone sotto tutto il lato posteriore dell'asciugatrice.

2. Afferrare bene l'asciugatrice (non dall'alto del pannello di comandi). Posare delicatamente l'asciugatrice sul cartone. Vedere la figura.



3. Verificare i piedini di livellamento. Trovare l'impronta della losanga.



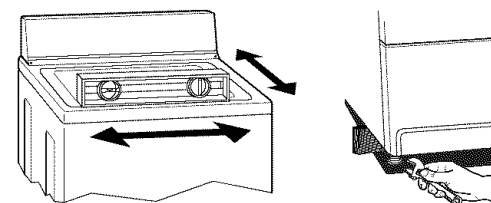
4. Avvitare i piedini nei loro fori manualmente. Utilizzare una chiave inglese per completare l'avvitamento dei piedini fino a che la losanga non sia più visibile.
5. Disporre un angolo del cartone dell'imballaggio dell'asciugatrice sotto ogni spigolo di dietro dell'asciugatrice. Sollevare l'asciugatrice. Far scivolare l'asciugatrice nell'angolo fino a che non sia vicina alla postazione finale. Lasciare lo spazio sufficiente per collegare lo scarico.

## Allacciatura Sfiatatoio

1. Con un morsetto di 10.2 cm. (4 in.), collegare lo sfiatatoio allo sbocco dell'evacuazione dell'asciugatrice. Se connesso allo sfiatatoio già esistente, assicurarsi che quest'ultimo sia pulito. Lo sfiatatoio dell'asciugatrice deve adattarsi all'uscita dello scarico e entrare nella sua cappa. Controllare che lo sfiatatoio sia fissato alla cappa dello scarico con un morsetto di 10.2 cm. (4 in.).
2. Spostare l'asciugatrice nella sua collocazione finale. Non schiacciare né piegare lo scarico.
3. (Modelli a gas) Controllare che il tubo flessibile del gas non sia schiacciato.
4. Una volta che lo scarico è connesso, rimuovere i montanti angolari e il cartone.

## Posizionamento Asciugatrice

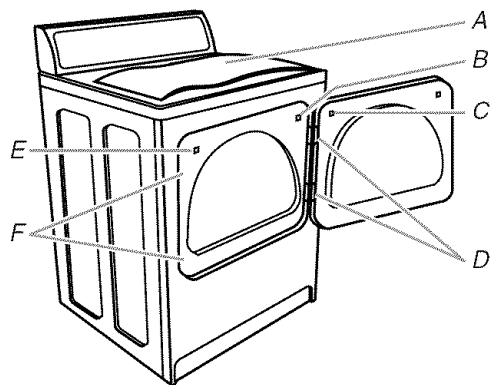
Verificare che l'asciugatrice sia dritta. Assicurarsi che l'asciugatrice sia livellata prima lateralmente, poi davanti e dietro.



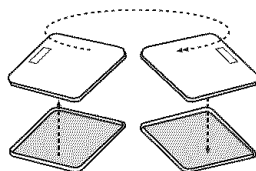
Se l'asciugatrice non è dritta, sollevarla poggiandola su un pezzo di legno. Usare una chiave inglese per regolare i piedini in su o in giù e verificare ancora il livello.

## Invertire l'apertura dello sportello di Carico (Opzionale)

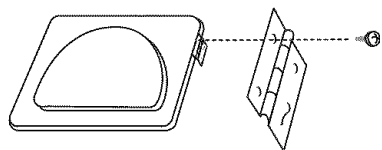
Se volete, potete cambiare l'apertura dello sportello di caricamento del bucato da destra a sinistra.



1. Sistemare un panno (A) sulla parte superiore dell'asciugatrice per proteggere la superficie.
2. Aprire lo sportello dell'asciugatrice. Rimuovere le viti inferiori dal lato dell'alloggio con le cerniere. (D). Allentare (non rimuovere) le viti superiori dell'alloggio dal lato delle cerniere.
3. Far scivolare lo sportello fino a che le viti superiori dell'alloggio siano dalla parte larga della cerniera. Tirate lo sportello in avanti allontanandolo dalle viti. Sistemare lo sportello (con la maniglia verso l'alto) sulla parte alta dell'asciugatrice. Rimuovere le viti superiori dall'alloggio.
4. Rimuovere le viti che mantengono le cerniere dello sportello.
5. Rimuovere le viti in alto, in basso e ai lati dello sportello (4 viti). Tenendo lo sportello su un panno sull'asciugatrice, afferrare il pannello esterno dello sportello a separarlo delicatamente dal pannello interno. Non forzare da un lato con una spatola. Non tirare sulla guaina dello sportello o sui ganci in plastica.
6. Accertarsi di conservare un cartone di spessore tra i pannelli. Riattaccare il pannello esterno dello sportello a quello interno in modo che la maniglia sia dal lato in cui le cerniere sono state appena rimosse.

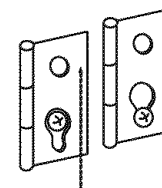


7. Attaccare le cerniere dello sportello allo sportello stesso in modo che il foro grande sia nella parte di sotto della cerniera.



8. Rimuovere l'attacco dello sportello (E) dall'alloggio. Usare un cacciavite piatto piccolo per rimuovere delicatamente i 4 cappucci dei fori delle cerniere (F) sul lato sinistro dell'alloggio. Inserire i cappucci nei fori della cerniera sul lato destro dell'alloggio.

9. Inserire le viti nei fori del basso sul lato sinistro dell'alloggio. Stringere le viti a metà. Posizionare lo sportello in modo che la parte larga della scanalatura della cerniera della porta sia sopra le viti. Far scivolare lo sportello verso l'alto in modo che le viti siano nella parte bassa della scanalatura. Stringere le viti. Inserire e stringere le viti superiori nelle cerniere.



10. Rimuovere il cappuccio dell'attacco dello sportello(B). Inserire l'attacco dello sportello rimosso nel passo 8 nel foro e fissarlo con le viti. Inserire il cappuccio dell'attacco nel foro dell'attacco originale dello sportello e assicurarne con le viti.
11. Chiudere lo sportello e verificare che l'attacco dello sportello sia allineato con il gancio dello sportello.(C). Se non è il caso, far scivolare il gancio a sinistra e a destra all'interno della fessura per allinearli.

## Termine Installazione

1. Controllare che tutte le parti siano installate. Se ci sono ulteriori pezzi, rivedere i passaggi precedenti per verificare se sono state saltate delle fasi.
2. Verificare di avere tutti gli attrezzi.
3. Smaltire/riciclare tutto il materiale da imballaggio.
4. Controllare la collocazione finale dell'asciugatrice. Assicurarsi che lo scarico non sia schiacciato o piegato.
5. Controllare che l'asciugatrice sia dritta. Vedere "Posizionamento Asciugatrice."
6. Inserire una presa a terra a 2 poli. Accendere l'alimentazione.
7. Rimuovere la pellicola protettiva blu sulla sezione comandi e il nastro adesivo rimanente dall'asciugatrice.
8. Leggere "Uso dell'Asciugatrice."
9. Pulire accuratamente l'interno del cestello dell'asciugatrice con un panno umido per rimuovere la polvere.
10. Regolare l'asciugatrice su un ciclo completo a caldo (non un ciclo ad aria) per 20 minuti ed avviarla.

### Se l'asciugatrice non si avvia, controllare come di seguito:

- Che la manopola sia sulla posizione "On".
- Che il tasto di Avvio sia stato ben premuto.
- Che l'asciugatrice sia collegata ad una presa e/o ad una alimentazione.
- Che il fusibile domestico sia intatto e ben fissato, o che l'interruttore di circuito non sia scattato.
- Che lo sportello dell'asciugatrice sia chiuso.

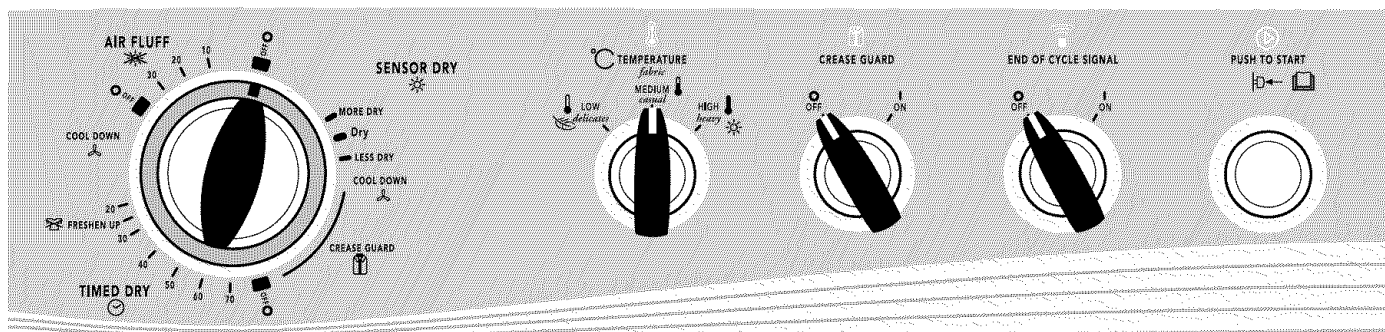
11. Dopo che l'asciugatrice è in funzione da 5 minuti, aprire lo sportello e verificare il livello di calore. In caso di calore, annullare il ciclo e chiudere lo sportello.

### Se non c'è calore, spegnere l'asciugatrice e verificare:

- Che il fusibile sia intatto e ben fissato, o che l'interruttore di circuito non sia scattato. Se il problema persiste, contattare un tecnico qualificato.

**NOTA:** Potreste sentire un odore di bruciato quando l'asciugatrice è riscaldata per la prima volta. Questo odore è normale quando l'elemento riscaldato viene usato per la prima volta. L'odore ha tendenza a sparire.

# USO DELL'ASCIUGATRICE



## Avvio dell'Asciugatrice

### ⚠ AVVERTENZA



#### Pericolo di Esplosione

Tenere i materiali ed i vapori infiammabili, come la benzina, lontano dall'asciugatrice.

Non asciugare gli indumenti che sono venuti a contatto con del materiale infiammabile (anche dopo essere stati lavati).

La non ottemperanza a queste istruzioni potrebbe provocare la morte, un'esplosione o un incendio.

### ⚠ AVVERTENZA



#### Pericolo d'incendio

Nessuna lavatrice può rimuovere completamente l'olio.

Non asciugare gli articoli che sono venuti a contatto con qualsiasi tipo di olio (inclusi oli da cucina).

Gli articoli che contengono piuma, gomma o plastica devono essere asciugati su uno stendino o usando un Ciclo ad Aria.

La non ottemperanza a queste istruzioni potrebbe provocare la morte o un incendio.

**AVVERTENZA:** per ridurre il rischio di incendio, scossa, o infortunio a persone, leggere le IMPORTANTI ISTRUZIONI DI SICUREZZA prima di mettere in funzione l'apparecchio.

Questo manuale concerne diversi modelli. Probabilmente il vostro modello di asciugatrice non è dotato di tutti i cicli e caratteristiche descritti.

Prima di usare l'asciugatrice, asciugare il cestello con uno straccio umido per rimuovere la polvere accumulata o formata durante il trasporto.

1. Pulire il filtro prima di ogni carico. Vedere "Pulire il filtro pelucchi".
2. Caricare l'asciugatrice lasciando dello spazio e chiudere lo sportello. Non sovraccaricarla. Lasciare dello spazio per permettere al carico di girare facilmente.
3. Posizionare la Manopola di Controllo Ciclo sul ciclo consigliato per il tipo di carico da asciugare. Usare la regolazione di Energia Preferita (\*) per asciugare i capi di pesantezza media.
4. Se la vostra asciugatrice ha un selettore di Temperatura, selezionare l'impostazione consigliata per il tipo di tessuti da asciugare. Vedere "Cicli" per dei consigli sulla temperatura. Per alcuni modelli, la temperatura è prevista nella selezione del ciclo.
5. (OPZIONALE) La vostra asciugatrice potrebbe avere un selettore della funzione PREVENZIONE PIEGHE. Se non si rimuove il carico dall'asciugatrice non appena termina il ciclo, i capi possono sguaiarsi. Questa funzione centrifuga, riordina e gonfia periodicamente il carico senza aria calda per togliere le pieghe.

6. (OPZIONALE) La vostra asciugatrice potrebbe avere un SEGNALE DI FINE CICLO. Questo segnale è utile quando i capi che si stanno asciugando dovrebbero essere rimossi appena l'asciugatrice si ferma.
  - Su alcuni modelli, il volume e il segnale di FINE CICLO possono essere modificati. Ruotare il selettore sul volume desiderato.
  - Su altri modelli, il segnale di FINE CICLO è incluso nella manopola di avvio ed è selezionabile. Ruotare il pulsante AVVIO su ON o OFF. Il segnale verrà emesso soltanto se il selettore è impostato su On.
7. Selezionare l'Opzione desiderata. Vedere "Cicli."
8. Se si preferisce, aggiungere un foglio di ammorbidente. Seguire le istruzioni sulla confezione.
9. Premere il tasto START (Avvio).

### Come funziona l'asciugatrice automatica

Quando si usa il Ciclo Automatico Sensore Umidità, l'asciugatura del carico è determinata da due strisce metalliche (sensori) situate all'interno dell'asciugatrice. Le strisce metalliche "rilevano" la quantità di umidità rimasta nei capi man mano che questi ruotano. Finché sarà rilevata dell'umidità nei capi, la Manopola di Selezione non avanzerà. Man mano che il carico comincia ad asciugarsi, la quantità di acqua restante si riduce, ed il timer avanza per continuare il ciclo. Una volta che i capi sono asciutti, l'asciugatrice inizia un periodo di raffreddamento della durata massima di 10 minuti.

### Arresto e Riavvio

È possibile bloccare l'asciugatrice in qualsiasi momento durante un ciclo.

### Per bloccare l'asciugatrice

Aprire lo sportello della stessa oppure girare la manopola di Selezione Ciclo su OFF.

**NOTA:** la manopola di Selezione Ciclo dovrebbe puntare su un programma di arresto (OFF) quando l'asciugatrice non è più in funzione.

### Per riavviare l'asciugatrice

1. Chiudere lo sportello.
2. Selezionare un'altra temperatura ed un nuovo ciclo (se si desidera).
3. Premere il tasto START (Avvio).

## Consigli per Asciugatura, Cicli e Temperature

Selezionare il ciclo e la temperatura adatti per il carico.

Il Raffreddamento fa girare il carico senza calore durante gli ultimi minuti di tutti i cicli al fine di rendere i capi più facili da maneggiare.

### Consigli per l'asciugatura

- Seguire le istruzioni di lavaggio indicate sull'etichetta, se disponibili.
- Se si desidera, aggiungere un foglio di ammorbidente in tessuto. Seguire le istruzioni sulla confezione.
- Per ridurre le pieghe, rimuovere il carico dall'asciugatrice appena la cestello si ferma, Questo è particolarmente importante per i capi che non si stirano, in lana ed i sintetici.

### Consigli per i cicli e le temperature

- Asciugate la maggior parte dei carichi usando la regolazione di Energia Preferita, se disponibile sulla vostra asciugatrice.

- Selezionare un programma a Temperatura Alta per asciugare i capi pesanti come gli asciugamani e gli abiti da lavoro.
- Selezionare un programma a Temperatura Media per asciugare i capi di peso medio come le lenzuola, la biancheria, i tessuti delicati ed alcune maglie.
- Selezionare un programma a Temperatura Bassa per asciugare capi di peso leggero, come la biancheria intima, le camicette, gli abiti da sera ed alcune maglie.
- Selezionare un programma senza calore (aria) per la gomma, la plastica o i capi sensibili al calore
- Asciugare stesi i tessuti incollati ed i tessuti laminati.

**NOTA:** in caso di dubbi sulle temperature di asciugatura per i vari bucati, fare riferimento alle indicazioni sull'etichetta. Se non si è sicuri della temperatura da selezionare per un bucato, è preferibile selezionare un programma a bassa temperatura piuttosto che alta.

## Simboli dell'Asciugatrice

Il pannello di controllo dell'asciugatrice contiene alcuni simboli. Leggere la tabella qui sotto per una definizione dei medesimi.



### Manopola di selezione della Temperatura



Bassa Temperatura



Media Temperatura



Alta Temperatura



### Tasto di Avvio

### Manopola di selezione del Segnale di Fine Ciclo



Segnale di Fine Ciclo Acceso



Segnale di Fine Ciclo Spento

### Manopola di selezione Ciclo

#### Cicli di Asciugatura Automatica



Articoli pesanti



Asciugati pronti per l'armadio



Asciugati pronti per l'armadio



Cotone



Sintetici/Da non stirare



Asciugatura Veloce



Delicati




Raffreddamento

## Manopola di selezione Ciclo

 Pronti per la stiratura  Macchina spenta


## Ciclo di Asciugatura a Timer

70.....20 Minuti di asciugatura a caldo  Asciugatura umida

 Pronti per la stiratura  Raffreddamento

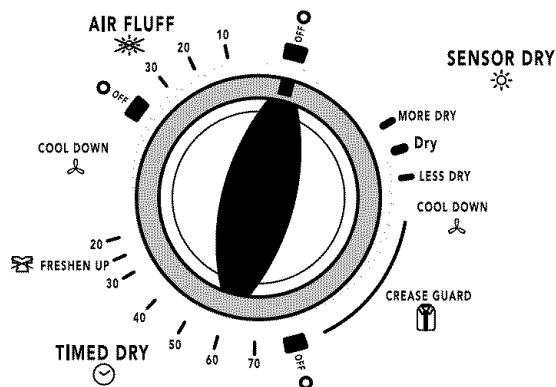
 Macchina spenta  Leggere il manuale dell'utente

## Ciclo di Asciugatura ad Aria

30.....10 Minuti di asciugatura senza calore  Macchina spenta

## Cicli

Questo manuale concerne diversi modelli. La vostra asciugatrice potrebbe non avere tutti i cicli e le caratteristiche descritte.



Manopola Controllo Ciclo

### Ciclo di Asciugatura Auto Regolato

Usare il Ciclo Auto Regolato per asciugare la maggior parte dei carichi. L'asciugatrice è dotata di un controllo che rileva il livello di umidità nel bucato e la spegne quando quest'ultimo ha raggiunto il livello di asciugatura selezionato. Selezionare la temperatura con la manopola di selezione in base ai tessuti nel bucato.

Dopo avere asciugato il bucato con il ciclo Auto Regolato, controllare l'asciugatura.

Se il carico è più asciutto di quanto desiderato, selezionare un programma meno asciutto la prossima volta che si asciuga un carico simile.

Se un carico non è asciutto come si desidera, completare l'asciugatura usando un Ciclo Programmato.

**NOTE:** Il tempo di asciugatura varia con un ciclo di asciugatura Auto Regolato. Il tipo di tessuto, la taglia dei capi, e l'asciugatura selezionata influiscono sul tempo di asciugatura. Vedere "Consigli per l'Asciugatura, i Cicli e le Temperature".

### Ciclo (i) di Asciugatura Programmato (i)

Selezionare la giusta impostazione del Tempo di asciugatura e la temperatura per il carico.

Selezionare un'asciugatura lunga per capi pesanti e grandi, come le coperte e gli abiti da lavoro, oppure per i capi grandi che richiedono un tempo più lungo di asciugatura. Selezionare Temperatura Alta, se possibile.

Usare un Ciclo di Asciugatura breve per gli articoli leggeri come la biancheria intima o le maglie. Selezionare la temperatura in base ai tessuti nel carico, se possibile.

### Cicli No Heat Fluff (Delicato freddo)

Usare il ciclo Delicato freddo per gli articoli che richiedono un'asciugatura senza calore, come la gomma, la plastica ed i tessuti sensibili al calore. Selezionare la manopola del ciclo Delicato freddo. La tabella illustra degli esempi di articoli che possono essere asciugati usando il Ciclo Delicato freddo.

Tipo di Bucato	Ciclo Delicato freddo*
Gommapiuma - cuscini, reggiseni imbottiti, giocattoli di peluche	20 - 30
Plastica - tende per la doccia, tovaglie	20 - 30
Tappeti - fondo in gomma	40 - 50
Olefina, polipropilene, nylon trasparente	10 - 20

\*(Minuti). Resettare il ciclo per completare l'asciugatura, se necessario.

### Quando si usa il ciclo Delicato freddo

- Controllare che le coperte siano correttamente cucite.
- Agitare e gonfiare i cuscini a mano periodicamente durante il ciclo.
- Asciugare completamente ogni capo di bucato. I cuscini di gommapiuma si asciugano lentamente.

## Opzione Stendino

Usare lo stendino per asciugare alcuni capi come maglioni e cuscini senza centrifuga. Il tamburo gira, ma lo stendino non si muove.

Se la vostra asciugatrice non è dotata di stendino, potete acquistarne uno per il vostro modello. Per sapere se il vostro modello supporta lo stendino per asciugare e per informazioni sull'ordine, riferirsi alla copertina del manuale o contattare il venditore dal quale avete acquistato l'asciugatrice.

**NOTA:** In caso di normale centrifuga rimuovere lo stendino. Non usare cicli automatici con lo stendino.

### Per usare lo stendino

1. Mettere lo stendino nell'asciugatrice.

**Modello 1:** Il vostro stendino è dotato di gambe frontali. Far scivolare le gambe nelle fessure della parte posteriore dell'asciugatrice. Abbassare le gambe anteriori per sistemarlo sull'apertura dell'asciugatrice.

**Modello 2:** Il vostro stendino non è dotato di piedi frontali. Non rimuovere il filtro per pelucchi. Inserire lo stendino sulla parte di sotto dell'apertura dello sportello. Spingere in basso per fissare lo stendino nel suo alloggio.

2. Sistemare i capi bagnati sullo stendino, lasciando dello spazio tra gli stessi. Non lasciar penzolare i capi fuori dal bordo dello stendino. Chiudere lo sportello.

3. Selezionare un ciclo ed una temperatura per l'asciugatura temporizzata, o un ciclo ad aria. Gli articoli che contengono spugna, gomma o plastica devono essere asciugati su un filo oppure usando un ciclo ad aria. Riferirsi alla tabella seguente.
4. Avvio dell'asciugatrice. Resettare il ciclo per completare l'asciugatura, se necessario.

Asciugatura con stendino	Ciclo	Temp	Durata
Capi in lana lavabili (Metterli in forma e disporli sullo stendino)	tempo programmato	Bassa	60 min.
Peluche/cuscini (imbottiti in cotone o poliestere)	tempo programmato	Bassa	60 min.
Peluche/cuscini (imbottiti in Gommapiuma)	Aria (non calda)	N/A	90 min.

## CURA DELL'ASCIUGATRICE

### Pulire l'area intorno all'asciugatrice

Mantenere l'area intorno all'asciugatrice sgombra e libera da oggetti che possano ostruire il flusso della combustione e l'aerazione.

#### **AVVERTENZA**



#### Pericolo di Esplosione

Tenere i materiali ed i vapori infiammabili, come la benzina, lontano dall'asciugatrice.

Collocare l'asciugatrice almeno 46 cm sopra il pavimento in caso di installazione in garage.

La non ottemperanza a queste istruzioni potrebbe provocare la morte, un'esplosione o un incendio.

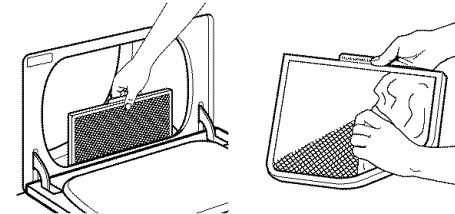
### Pulire il Filtro per Pelucchi

#### Pulizia dopo ogni carico

Il filtro per pelucchi si trova nello sportello dell'asciugatrice. Pulire il filtro prima di ogni carico. Un filtro bloccato dai pelucchi può far aumentare il tempo di asciugatura.

#### Per pulire

1. Tirare fuori il filtro per pelucchi dritto verso l'alto. Arrotolare i pelucchi e rimuoverli dal filtro con le dita. Non sciacquare o lavare il filtro per rimuovere i pelucchi. I pelucchi bagnati sono più difficili da rimuovere.



2. Rimettere a posto il filtro per pelucchi.

#### IMPORTANTE:

- Non azionare l'asciugatrice se il filtro per pelucchi è allentato, danneggiato, bloccato o assente. L'azionamento in queste condizioni può provocare un surriscaldamento e danni sia all'asciugatrice che ai capi.
- Se i pelucchi cadono dal filtro ed entrano nell'asciugatrice durante la rimozione, controllare la cappa di scarico e rimuovere i pelucchi. Vedere "Controllare lo Scarico d'aria".

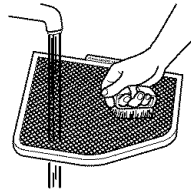
## Pulizia secondo il bisogno

I detersivi e gli ammorbidenti possono accumularsi nel filtro per pelucchi. Questo accumulo può prolungare i tempi di asciugatura per i capi, o causare un arresto dell'asciugatrice prima che il carico sia completamente asciutto. In caso di fuoriuscita dei pelucchi dal filtro, quest'ultimo è probabilmente intasato.

Pulire il filtro con una spazzola di nylon ogni sei mesi o più spesso se comincia ad intasarsi a causa di un accumulo di residui.

### Lavaggio

1. Arrotolare i pelucchi e rimuoverli dal filtro con le dita.
2. Bagnare entrambi i lati del filtro con acqua calda.
3. Bagnare una spazzola di nylon con acqua calda e detersivo liquido. Strofinare il filtro con la spazzola per rimuovere i residui accumulatisi.



4. Sciacquare il filtro con acqua calda.
5. Asciugare completamente il filtro con un asciugamani pulito. Sostituire il filtro nell'asciugatrice.

## Pulizia all'interno dell'asciugatrice

### Per pulire il cestello dell'asciugatrice

1. Formare una pasta con un detersivo in polvere per tessuti ed acqua molto calda.
2. Applicare la pasta su un panno morbido.

#### OPPURE

Applicare un liquido non-infiammabile per la pulizia della casa sulla zona macchiata e strofinare con un panno morbido fino a quando il colore in eccesso non sia stato rimosso.

3. Asciugare a fondo il cestello con un panno umido.
4. Asciugare con la centrifuga un carico di panni o asciugamani puliti per asciugare il cestello.

**NOTE:** gli indumenti che scoloriscono come i jeans o gli indumenti di cotone con colori vivi, possono scolorirsi all'interno dell'asciugatrice. Queste macchie non sono dannose per l'asciugatrice e non macchieranno i successivi carichi. Asciugare i capi che scoloriscono al rovescio per evitare il trasferimento di colori.

## Rimozione Pelucchi Accumulati

### Dall'interno del vano dell'asciugatrice

I pelucchi devono essere rimossi ogni 2 anni, o più spesso, a seconda dell'uso dell'asciugatrice. La pulizia deve essere eseguita da un professionista.

### Dallo scarico dell'aria

I pelucchi devono essere rimossi ogni 2 anni, o più spesso, a seconda dell'uso dell'asciugatrice.

## Precauzioni Assenze o Traslochi

### Precauzioni in caso di assenza

Azionare l'asciugatrice solo quando si è in casa. In caso di assenza, o se non si intende usare l'asciugatrice per un lungo periodo di tempo, è necessario:

1. Staccare la spina dell'asciugatrice o interrompere l'alimentazione.
2. Pulire il filtro pelucchi. Vedere "Pulire il filtro pelucchi".

### Precauzioni in caso di spostamenti

1. Staccare la spina di alimentazione.
2. Assicurarsi che i piedi di livellamento siano stabili alla base dell'asciugatrice.
3. Usare nastro adesivo per chiudere bene lo sportello dell'asciugatrice.

# MALFUNZIONAMENTO

Provare prima le soluzioni suggerite di seguito per evitare il costo di un intervento tecnico...

## Funzionamento Asciugatrice

### L'asciugatrice non funziona

- **È scoppiato un fusibile in casa, oppure è scattato un interruttore di circuito?**  
Assicurarsi che il fusibile sia intatto e ben fissato, o che l'interruttore di circuito non sia scattato. Se il problema persiste, contattare un tecnico qualificato.
- **L'alimentazione disponibile è quella giusta?**  
Le asciugatrici elettriche hanno bisogno di un'alimentazione a 240 Volt. Chiedere ad un tecnico qualificato.
- **È stato usato un fusibile normale?**  
Usare un fusibile ritardato.
- **Lo sportello dell'asciugatrice è chiuso correttamente?**
- **Il tasto Start (Avvio) è stato ben premuto?**

### Assenza di calore

- **È scoppiato un fusibile in casa, oppure è scattato un interruttore di circuito?**  
Assicurarsi che il fusibile sia intatto e ben fissato, o che l'interruttore di circuito non sia scattato. Se il problema persiste, contattare un tecnico qualificato.

### Rumori insoliti

- **L'asciugatrice è rimasta inutilizzata per un certo periodo di tempo?**  
Se l'asciugatrice non è stata utilizzata per un po' di tempo, potrebbero sentirsi dei tonfi durante i primi minuti di funzionamento.
- **C'è una moneta, un bottone o una graffetta intrappolata fra il cestello e la parte anteriore o posteriore dell'asciugatrice?**  
Controllare il bordo anteriore e posteriore del cestello per verificare che non vi siano dei piccoli oggetti. Pulire tutte le tasche prima di azionare.
- **I quattro piedini sono state installati e l'asciugatrice è allo stesso livello davanti, dietro, a destra e a sinistra?**  
L'asciugatrice può vibrare se non è stata correttamente installata. Vedere le Istruzioni d'Installazione.
- **I capi sono appallottolati o annodati?**  
Se i capi sono appallottolati, il carico può rimbalzare, facendo vibrare l'asciugatrice. Separare gli articoli e riavviare l'asciugatrice.

### Il timer non sembra avanzare

- **L'asciugatrice è stata impostata con il Timer o l'asciugatura ad Aria?**  
Il timer si muove lentamente e interrottamente tramite la manopola di selezione.
- **L'asciugatrice è stata impostata con l'Automatic Drying (Asciugatura Automatica)?**  
Il timer si muove solo quando i vestiti sono quasi del tutto asciutti. Vedere "Come Funziona il Rilevamento Automatico dell'Umidità" in "Uso dell'Asciugatrice"

## Risultati dell'asciugatura

**Il carico non si asciuga in maniera soddisfacente, i tempi di asciugatura sono troppo lunghi, o il carico è troppo caldo.**

- **Il filtro per pelucchi è pieno?**  
Il filtro per pelucchi va pulito prima di ogni carico.

**⚠ AVVERTENZA**



**Pericolo d'Incendio**

**Usare uno scarico d'aria in metallo pesante**

**Non usare uno scarico d'aria in plastica**

**Non usare uno scarico d'aria in lamina di metallo.**

**La non ottemperanza a queste istruzioni potrebbe provocare la morte o un incendio.**

- **Lo scarico d'aria o la cappa di scarico sono intasati dai pelucchi, e questo limita l'aerazione?**  
Avviare l'asciugatrice per 5-10 minuti. Mettere la mano sotto la fuoriscita di aria della cappa di scarico per controllare il movimento dell'aria. Se non si sente alcuno spostamento d'aria, pulire il sistema di scarico dei pelucchi o sostituire lo scarico d'aria con uno scarico in metallo pesante o flessibile. Consultare le Istruzioni d'installazione.
- **Vi sono fogli di ammorbidente che bloccano la griglia?**  
Usare un solo foglio di ammorbidente, ed una volta sola.

- **Lo scarico d'aria è della lunghezza giusta?**  
Controllare che lo scarico d'aria non sia troppo lungo o abbia troppi gomiti. Uno scarico d'aria troppo lungo può far aumentare i tempi di asciugatura. Vedere le Istruzioni d'installazione.
- **Il diametro dello scarico d'aria è della dimensione giusta?**  
Usare uno scarico di diametro di 10.2 cm. (4 in.).

**⚠ AVVERTENZA**



**Pericolo di Esplosione**

**Tenere i materiali ed i vapori infiammabili, come la benzina, lontano dall'asciugatrice.**

**Collocare l'asciugatrice almeno 46 cm sopra il pavimento in caso di installazione in garage.**

**La non ottemperanza a queste istruzioni potrebbe provocare la morte, un'esplosione o un incendio.**

- **L'asciugatrice è situata in una stanza con una temperatura inferiore ai 7° C (45° F)?**  
Per un corretto funzionamento dei cicli di asciugatura, è necessario mantenere la temperatura al di sopra dei 7° C (45° F).
- **L'asciugatrice è incassata in un armadio?**  
Le porte dell'armadio devono avere aperture di aerazione sopra e sotto lo sportello. I lati e il davanti dell'asciugatrice devono avere un minimo di 2.5 cm. (1 in.) di spazio, e di 12.7 cm. (5 in.) dietro. Vedere le Istruzioni d'installazione.
- **È stato selezionato un ciclo di asciugatura ad aria?**  
Selezionare il ciclo giusto per i tipi di vestiti da asciugare.
- **Il carico è troppo grande e pesante per asciugarsi velocemente?**  
Separare il carico in modo che i capi possano girare facilmente.

## Durata del ciclo troppo corta

### ⚠ AVVERTENZA

#### Pericolo di Peso Eccessivo

**Avvalersi di due o più persone per spostare ed installare l'asciugatrice.**

**L'inottemperanza a questa avvertenza può causare infortuni alla schiena o altri incidenti.**

- **Il ciclo automatico è finito troppo presto?**  
Il carico non riesce a toccare le strisce del sensore. Raddrizzare l'asciugatrice.  
  
Cambiare l'impostazione del livello di asciugatura dei Cicli Automatici. L'aumento o la diminuzione del livello di asciugatura cambierà la quantità di tempo di asciugatura del ciclo.

## Pelucchi nel carico

- **Il filtro per pelucchi è intasato?**  
Il filtro per pelucchi va pulito prima di ogni carico.

## Macchie sul carico o sul cestello

- **L'ammorbidente è stato usato correttamente?**  
Aggiungere i fogli di ammorbidente all'inizio del ciclo. I fogli di ammorbidente aggiunti ad un bucato parzialmente asciutto possono macchiare i vestiti.  
  
Le macchie sul cestello sono causate dai colori dei vestiti (di solito i jeans). Queste macchie non si trasferiranno sugli altri indumenti.

## Gli indumenti sono sgualciti.

- **Il carico è stato tolto dall'asciugatrice al termine del ciclo?**
- **L'asciugatrice è stata sovraccaricata?**  
Asciugare carichi inferiori che possano girare facilmente nel cestello.

## Odori

- **Recentemente avete pittato, fatto delle macchie o verniciato nelle vicinanze dell'asciugatrice?**  
Se sì, areare la zona. Una volta che gli odori o i vapori sono spariti dalla zona, lavare e asciugare nuovamente il carico.
- **L'asciugatrice è stata usata per la prima volta?**  
Il nuovo elemento di riscaldamento elettrico potrebbe emanare un odore. L'odore tende a scomparire dopo il primo ciclo.

## ASSISTENZA O MANUTENZIONE

Prima di contattare l'assistenza tecnica o il supporto, consultare la sezione "Malfunzionamento". Potrebbe evitarvi il costo della chiamata all'assistenza. Se avete ancora bisogno di aiuto, mettetevi in contatto con il rivenditore dal quale avete acquistato l'asciugatrice, o l'assistenza Whirlpool.

Quando chiamate, vi preghiamo di indicare la data dell'acquisto, il modello completo ed il numero di serie del vostro elettrodomestico. Queste informazioni ci aiuteranno a rispondere meglio alle vostre richieste.

### **Se avete bisogno di pezzi di ricambio**

Se avete bisogno di pezzi di ricambio, vi raccomandiamo di usare solo FSP®. I pezzi di ricambio di FSP® saranno più adatti e funzioneranno meglio in quanto fabbricati con la stessa precisione usata per costruire ogni nuovo elettrodomestico WHIRLPOOL®.

### **Per trovare i pezzi di ricambio FSP® nella vostra zona:**

Contattare il rivenditore dal quale avete acquistato il vostro elettrodomestico, o un'azienda di assistenza tecnica autorizzata da Whirlpool.

**W10127856A**

© 2007

All rights reserved.

Todos los derechos reservados.

Tous droits réservés.

Tutti i diritti riservati

MAYTAG and the "M" Symbol are registered trademarks of Maytag Limited.

MAYTAG y el símbolo "M" son marcas registradas de Maytag Limited.

MAYTAG et le symbole "M" sont des marques déposées de Maytag Limited.

MAYTAG e il simbolo "M" sono dei marchi depositati di Maytag Limited.

All other marks are trademarks of Maytag Corporation or its related companies.

Todas las otras marcas son marcas de comercio de Maytag Corporation o sus compañías asociadas.

Toutes les autres marques sont des marques de commerce de Maytag Corporation ou de ses compagnies affiliées.

Tutti gli altri marchi sono dei marchi di commercio di Maytag Corporation o delle società collegate.

5/07

Printed in U.S.A.

Impreso en EE.UU.

Imprimé aux É.-U.

Impresso in U.E.

