

OPERATOR'S MANUAL

Battery-Powered Lithium-Ion Zero-Turn Tractor Lapbar Steering & Drive Controls

EnglishPage 2
Spanish (Español)Page 31

Record Product Information

Before setting up and operating your new tractor, please locate the model plate on the equipment and record the information in the provided area to the right. You can locate the model plate by lifting up the seat and looking under the seat pan. This information will be necessary, should you seek technical support via our web site, Customer Support, or with a local authorized service center.

Model Number

3	4			A	2	C	S				
---	---	--	--	---	---	---	---	--	--	--	--

Serial Number

--	--	--	--	--	--	--	--	--	--	--	--

⚠ WARNING

Read and follow all safety rules and instructions in this manual before attempting to operate this machine.

Failure to comply with these instructions may result in personal injury - SAVE THESE INSTRUCTIONS.

⚠ WARNING

CALIFORNIA PROPOSITION 65

Cancer and Reproductive Harm – www.P65Warnings.ca.gov.

NOTE: This Operator's Manual covers several models. Features may vary by model. Not all features in this manual are applicable to all models and the model depicted may differ from yours.



SAFE OPERATION PRACTICES

⚠ WARNING



This symbol points out important safety instructions which, if not followed, could endanger the personal safety and/or property of yourself and others. Read and follow all instructions in this manual before attempting to operate this tractor. Failure to comply with these instructions may result in personal injury.

When you see this symbol, **HEED ITS WARNING!**

⚠ DANGER

This tractor was built to be operated according to the safe operation practices in this manual. As with any type of power equipment, carelessness or error on the part of the operator can result in serious injury. This tractor is capable of amputating fingers, hands, toes and feet and throwing debris. Failure to observe the following safety instructions could result in serious injury or death.

Lithium-Ion Battery System

Servicing requires extreme care and knowledge of the system and must be performed only by a qualified service technician. For repair or service take the tractor to your nearest authorized service dealer. Always use original equipment manufacturer's (OEM) replacement parts when servicing.

GENERAL INFORMATION

1. Read, understand, and follow all instructions on the tractor and in the manual(s) before attempting to assemble and operate. Keep this manual in a safe place for future and regular reference and for ordering replacement parts.
2. Be familiar with all controls and their proper operation. Know how to stop the tractor and disengage them quickly.
3. Never allow children under 14 years of age to operate this tractor. Children 14 and over should read and understand the instructions and safe operation practices in this manual and on the tractor and should be trained and supervised by an adult.
4. Never allow adults to operate this tractor without proper instruction.
5. If situations occur which are not covered in this manual, use care and good judgment. Contact your customer service representative for assistance.
6. According to the U.S. Consumer Products Safety Commission (CPSC) and the U.S. Environmental Protection Agency (EPA), this product has an estimated useful life of seven (7) years, under ordinary use conditions. At the end of its useful life, have the product inspected annually to ensure all mechanical and safety systems are operating properly, safely, and are not worn excessively. Failure to do so may result in accident, injury, or death.
2. To help avoid blade contact or a thrown object injury, keep bystanders, helpers, children and pets at least 75 feet (23 meters) from the tractor while it is in operation. Keep bystanders, children and pets inside during operation. Stop tractor if anyone enters the area.
3. Be aware of the tractor discharge direction and do not point it at anyone.
4. Always wear safety glasses or safety goggles during operation and while performing an adjustment or repair to protect your eyes. Thrown objects which ricochet can cause serious injury to the eyes.
5. Wear sturdy, rough-soled work shoes and close-fitting slacks and shirts. Loose fitting clothes, jewelry and long hair can be caught in movable parts. Never operate this tractor in bare feet or sandals.
6. Do not charge or operate the tractor in the rain or wet conditions.
7. Use only accessories and attachments approved for this tractor by the tractor manufacturer. Read, understand and follow all instructions provided with the approved accessory or attachment.

OPERATING

PREPARATION BEFORE OPERATING

1. Thoroughly inspect the area where the tractor is to be used. Remove all stones, sticks, wire, bones, toys, and other foreign objects which could be tripped over or picked up and thrown by the blade(s). Thrown objects can cause serious personal injury.
2. Set the parking brake before attempting to start the tractor.
3. Plan your mowing pattern to avoid discharge of material toward roads, sidewalks, bystanders and the like. Also, avoid discharging material against a wall or obstruction which may cause discharged material to ricochet back toward the operator.

SAFE OPERATION PRACTICES

- In case of a system fault or a complete loss of battery power, the tractor on a hill can freewheel. Depress the brake pedal to maintain control and stop the tractor. Restart the tractor. If the system fault problem persists, contact your authorized service dealer.
- Do not put hands or feet near rotating parts or under the cutting deck. Contact with the blade(s) can amputate hands and feet.
- Watch for holes, ruts, bumps, rocks, or other hidden objects. Uneven terrain could overturn the tractor. Tall grass can hide obstacles.
- Check overhead clearances carefully before driving under low hanging tree branches, wires, door openings etc., where the operator may be struck or pulled from the tractor, which could result in serious injury.
- Never leave a running tractor unattended. Always turn off blade(s), set parking brake, press Start/Stop button, and remove key before dismounting.
- Turn off blade(s), set parking brake, press Start/Stop button and wait until the blade(s) come to a complete stop before removing grass catcher, emptying grass, unlogging chute, removing any grass or debris, or making any adjustments.
- Your tractor is designed to cut normal residential grass of a height no more than 10" (25.4 cm). Do not attempt to mow through unusually tall, dry grass (e.g., pasture) or piles of dry leaves. Dry grass or leaves may contact hot surfaces and/or build up on the tractor deck presenting a potential fire hazard.
- Turn off blade(s) before traveling in reverse. Back up slowly. Always look down and behind before and while backing to avoid a back-over accident.
- Never carry passengers.
- Stay at least 10 feet (3 meters) from drop-offs, ditches, embankments or the edge of water. The tractor could suddenly turn over if a wheel is over the edge of a cliff, ditch, or if an edge caves in.
- A missing or damaged chute deflector, mulch plug or entire grass catcher can cause blade contact or thrown object injuries.
- Do not operate the tractor without the chute deflector, mulch plug or entire grass catcher in its proper place.
- Use extra care with grass catchers or other attachments. These can change the stability of the tractor. Always follow the attachment manufacturer's instructions.
- Stop the blade(s) when crossing gravel drives, walks, or roads and while not cutting grass.
- Watch for traffic when operating near or crossing roadways. This tractor is not intended for use on any public roadway.
- Mow only in daylight or good artificial light.
- Do not operate the tractor while under the influence of alcohol or drugs.
- Slow down before turning. Operate the tractor smoothly. Avoid erratic operation and excessive speed.
- Motors may become hot and can cause serious burn injuries. Do not touch. Allow the tractor to cool for five minutes before attempting any service.
- Do not turn off tractor and freewheel downhill. Over-speeding may cause the operator to lose control of the tractor resulting in serious injury or death.

CHILDREN

- Tragic accidents can occur if the operator is not alert to the presence of children. Children are often attracted to the tractor and the mowing activity. They do not understand the dangers. Never assume that children will remain where you last saw them.
- Keep bystanders, children and pets inside while the tractor is in operation under watchful care of a responsible adult other than the operator. Stop tractor if anyone enters the area.
- Never carry children, even with the blade(s) shut off. They may fall off and be seriously injured or interfere with safe tractor operation. Children who have been given rides in the past could suddenly appear in the mowing area for another ride and be run over or backed over by the tractor.
- Be alert and turn tractor off if a child or bystander enters the area.
- To avoid back-over accidents, always look behind and down for small children.
- Use extreme care when approaching blind corners, doorways, shrubs, trees or other objects that may block your vision of a child who may run into the path of the tractor.
- Never allow children under 14 years of age to operate this tractor. Children 14 and over should read and understand the instructions and safe operation practices in this manual and on the tractor and should be trained and supervised by an adult.
- Do not allow any child to joy ride on the tractor. The tractor is not a toy or a go-cart. Warn your children that the tractor can be dangerous and they must stay away from it at all times.
- Keep children away from hot or running tractor. They can suffer burns from a hot motors.
- Remove key when tractor is unattended to prevent unauthorized operation. Make certain the key is inaccessible to small children.

SAFE OPERATION PRACTICES

SLOPE OPERATION

1. Slopes are a major factor related to loss of control and tip-over accidents which can result in severe injury or death. All slopes require extra caution. If you cannot back up the slope or if you feel uneasy on it, do not mow or drive on it.
2. For your safety, measure any slope before using the tractor on the sloped area. Use a slope measuring device in addition to the slope gauge included as part of this manual to measure slopes before operating this tractor on a sloped or hilly area. Smart phone applications can be also utilized to measure slopes. If the slope is greater than 15 degrees (25%) as shown on the slope gauge or a slope measuring device, do not operate this tractor on that area or serious injury could result.
3. Do not mow on slopes greater than 15 degrees (25%).
4. Do not mow up or down slopes, only mow across slopes that are less than 15 degrees (25%). Use low speeds and avoid sudden turns.
5. Do not mow on wet grass. Reduced traction could cause sliding or a loss of control.
6. Do not operate tractor under any conditions where traction, steering or stability is in question. Tires could slide even if the wheels are stopped.
7. Avoid starting and stopping on slopes. Avoid making sudden changes in speed or direction. Make turns slowly and gradually.
8. Use extra care while operating tractor with grass catcher or other attachment(s). They can affect the stability of the tractor. Do not use grass catcher on slopes greater than 10 degrees (17%).
9. Do not try to stabilize the tractor by putting your foot on the ground.
10. Keep all movement on the slopes slow and gradual. Do not make sudden changes in speed or direction. Rapid acceleration could cause the front of the tractor to lift and rapidly roll over backwards, which could cause serious injury or death.
11. Do not turn off tractor and freewheel downhill. Over-speeding may cause the operator to lose control of the tractor resulting in serious injury or death.

HAULING

1. Use properly secured full width ramps for loading and unloading a tractor for transport.
2. Use extra care when loading or unloading the tractor into a trailer or truck. This tractor should not be driven up or down ramp(s), because the tractor could tip over, causing serious personal injury. The tractor must be pushed manually on ramp(s) to load or unload properly.
3. Raise the deck to the highest position for loading clearance.
4. Do not tow this tractor, damage to the drive motors can occur.

TOWING

1. Do not tow a load that exceeds 250 lbs (113 kg) rolling weight and never exceed 50 lbs (22 kg) tongue weight.
2. Do not attach towed equipment except at the hitch point of the tractor.
3. Never allow children or others in or on towed equipment.
4. Do not tow on slopes greater than 5 degrees (9%). On slopes, the weight of the towed equipment may cause loss of traction and loss of control and/or the ability to stop.
5. Always use extra caution when towing with a tractor capable of making tight turns (e.g. "zero-turn" tractor). Make wide turns to avoid jack-knifing.
6. Travel slowly and allow extra distance to stop.

SERVICE

1. Keep tractor in good working order. Do not use the tractor until worn or damaged parts are replaced.
2. Tractor blades are sharp. Wrap the blade or wear gloves, and use extra caution when servicing them.
3. Remove the key and store the tractor indoors when not in use. Allow the tractor to cool at least five minutes before charging or storing.
4. Before cleaning, repairing, or inspecting, make certain the blade(s) and all moving parts have stopped. Turn off tractor and remove the key.
5. Check to make sure the blades come to complete stop in not more than (5) five seconds after disengaging the blade disengagement control per interval in the Maintenance Schedule. Measure the stopping time with a stop watch. If the blades do not stop completely in less than five seconds, your tractor should be serviced professionally by an authorized dealer.
6. Check the safety interlock system per the interval in the Maintenance Schedule for proper function, as described later in this manual. If the safety interlock system does not function properly, have your tractor serviced professionally by an authorized dealer.
7. Never tamper with the safety interlock system or other safety devices. Check their proper operation regularly.
8. Check the blade(s) mounting bolt torque in accordance to the Maintenance Schedule in this manual. Also, visually inspect blade(s) for damage (e.g., excessive wear, bent, cracked). Replace the blade(s) with the original equipment manufacturer's (O.E.M.) blade(s) only.
9. Use of service parts which do not meet the original equipment specifications may lead to improper performance and compromise safety.
10. Keep all nuts, bolts and screws tight to be sure the equipment is in safe working condition. Review the Maintenance Schedule chart in this manual for service interval information.

SAFE OPERATION PRACTICES

11. After striking a foreign object, stop the tractor, push the Start/Stop button, and remove the key. Thoroughly inspect the tractor for any damage. Repair the damage before operating.
12. To reduce fire hazard, keep the motor(s) free of grass, leaves and debris build-up. Follow the post operation tractor care instructions in the Service and Maintenance section.
13. Check brake operation frequently as it is subjected to wear during normal operation. Adjust and service as required.
14. Never attempt to make adjustments or repairs to the tractor without removing the key.
15. Maintain or replace safety and instruction labels, as necessary.

GENERAL ELECTRIC SAFETY

1. Do not expose the tractor to rain or wet conditions.
2. Do not service the tractor or handle electrical components with wet hands.
3. Do not operate the tractor in the rain, in wet conditions or on wet surfaces.
4. To reduce the risk of electric shock, avoid body contact with grounded conductors, such as metal pipes or wire fences.
5. Do not operate the tractor in explosive atmospheres, such as in the presence of flammable liquids, gases or dust.
6. For protection against risk of injury or electric shock, do not replace blown fuses. Your tractor should be serviced professionally by an authorized dealer.
7. Never douse or hose the tractor with water. Avoid getting any liquid in the motors and electrical connections. Clean the tractor after each use. Refer to Service and Maintenance. Do not use solvents or strong detergents.

BATTERY CHARGER SAFETY

WARNING

Only use an OEM battery charger to charge the batteries in this tractor. DO NOT attempt to charge any other batteries with the battery charger specific to this tractor. Other types of batteries may burst, causing fire, personal injury or property damage.

1. Recharge only with the charger specified by the manufacturer. A charger that is suitable for one type of battery may create a risk of fire when used with another battery.
2. Do not use the charger in the rain, wet locations or in the presence of flammable liquids or gasses.
3. A nameplate on the charger indicates the voltage used. Never connect the charger to an AC voltage that differs from this voltage.
4. An extension cord should not be used unless absolutely necessary. Use of an improper extension cord could result in a risk of fire, electric shock or electrocution.

5. Do not use multiple extension cords.
6. Make sure the extension cord is heavy enough to carry the current drawn by the charger. An undersized extension cord will cause a drop in line voltage, resulting in a loss of power and overheating. If in doubt, use the next heavier gauge cord. The smaller the gauge number, the heavier the cord.

MINIMUM WIRE SIZE FOR EXTENSION CORDS FOR 120 VOLT APPLIANCES USING 0-6 AMPS

Cord Length (ft.)	25	50	100	150
Wire Size (AWG)	16	16	16	14

7. Make sure the cords are in good condition. Inspect the battery charger power cord and extension cord periodically. Look closely for deterioration, cuts or cracks in the insulation. If either cord is damaged in any manner while plugged in, disconnect the cord from both the outlet and the charger. Do not use a damaged cord. Damaged cords should be repaired or replaced.
8. Do not abuse cords. Never pull or carry the charger by a cord. Keep cords away from heat, oil, water, sharp edges, and moving objects. Always grasp the plug when disconnecting a cord.
9. Never modify a plug, cord or outlet in any way.
10. Ground Fault Circuit Interrupter (GFCI) protection should be provided on the circuit(s) or outlet(s) to be used with this charger. For an extra measure of safety, use receptacle (outlet) with built-in GFCI protection.
11. Do not place the battery charger where cords might be stepped on, tripped over or subjected to damage.
12. Keep the battery charger and cords in a cool and dry area.
13. Keep the battery charger and cords away from all liquids.
14. Do not allow small metal items or material such as steel wool, aluminum foil or other foreign particles into the charger port.
15. Do not probe the charger with conductive material. There is a risk of electric shock.
16. Do not cover the battery charger. The battery charger may overheat.
17. Do not allow the battery or battery charger to overheat. If they are warm, allow them to cool down. Only charge batteries in temperatures between 32° and 104° F (0° and 40° C).

SAFE OPERATION PRACTICES

BATTERY SAFETY

1. Do not expose the battery to fire or to temperatures over 140° F (60° C). Doing so could cause an explosion.
2. Handle battery with care. Do not short the battery with conductive materials, such as rings, bracelets, keys, etc. Shorting the battery may cause personal injury, damage to the battery or a fire.
3. Do not attempt to charge a cracked or damaged battery.
4. Do not use or charge a wet battery or a battery that shows any evidence of corrosion.
5. Do not use a damaged or modified battery. Doing so could result in a fire, explosion or personal injury.
6. Do not dispose of the battery in a fire. The cell may explode. Contact your local authorized service dealer for proper battery recycling.
7. Exercise care in handling batteries in order not to short the battery with conductive materials such as rings, bracelets, and keys. The battery or conductor may be hot and cause burns.

WARNING

The battery may present a risk of fire or chemical burn if misused. Do not disassemble, overheat or incinerate the battery.

Leakage from the battery may occur under extreme usage, charging or temperature conditions or if the battery is damaged, crushed or punctured. This leakage indicates a failure of the battery and the battery should be properly disposed of by an authorized service dealer.

If the battery leakage gets on your skin or eyes, follow these steps:

- Immediately wash the skin and flush the eyes with cool water for at least 20 minutes and seek immediate medical attention.
- Contents of open battery cells may cause respiratory irritation. Provide fresh air. If symptom persist, seek medical attention.
- Ventilate the room and vacate the area if smoke and gases are present. Gas and smoke in a confined area will present a potential health risk.
- If the leakage gets on your clothing or shoes, remove, isolate and wash the contaminated clothing thoroughly.

SLOPE GAUGE (BACK COVER)

WARNING




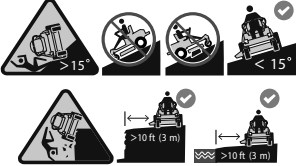



Slopes are a major factor related to tip-over and roll-over accidents which can result in severe injury or death. All slopes require extra caution. If you feel uneasy on the slope, do not mow it. Do not mow on slopes greater than 15 degrees (25%). Only mow across slopes, never mow up and down slopes.

USE THE SLOPE GAUGE ON THE BACK COVER AS SHOWN TO DETERMINE IF A SLOPE IS TOO STEEP FOR SAFE OPERATION! To check the slope, proceed as follows:


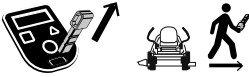

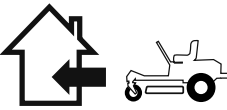

1. Open manual to page and fold along the dashed line.
2. Locate a vertical object on or behind the slope (e.g. a pole, building, fence, tree, etc.)
3. Align either side of the slope gauge with the object.
4. Adjust gauge up or down until the left corner touches the slope.
5. If there is a gap below the gauge, the slope is too steep for safe operation.

SAFETY SYMBOLS

This page depicts and describes safety symbols that MAY appear on this mower. Read, understand, and follow all instructions on the mower before attempting to assemble and operate.

Symbol	Description
 <p data-bbox="234 447 413 475">OPESymbol.com</p>	<p>WARNING – READ THE OPERATOR’S MANUAL(S) Read, understand and follow all the safety rules and instructions in the manual(s) and on the tractor before attempting to operate this tractor. Failure to comply with this information may result in personal injury or death. Keep this manual in a safe location for future and regular reference. Using a Smart Phone, scan the QR code symbol to learn more information concerning the warnings contained on this tractor. You can also go to www.OPESymbol.com for more information.</p>
	<p>DANGER — AVOID THROWN OBJECTS INJURY Keep helpers at least 75’ (23 meters) from machine during operation. Remove all stones, sticks, wire, bones, toys, and other foreign objects which could be picked up and thrown by the blade(s). Do not operate the tractor without the discharge cover or entire grass catcher in its proper place.</p>
	<p>WARNING — AVOID CHILD BACKOVER/RUNOVER/BLADE INJURY To avoid back-over accidents, always look behind and down for small children. Never carry children, even with the blade(s) shut off. Keep bystanders, children and pets inside during operation under the watchful care of a responsible adult other than the operator. Stop tractor if anyone enters the area.</p>
	<p>WARNING – AVOID TIP-OVER/ROLL-OVER INJURY Do not operate machine on a slope greater than 15° (25%). Do not mow up or down slopes, only mow across slopes that are less than 15 degrees (25%). Use low speeds and avoid sudden turns on slopes. Stay at least 10 feet (3 meters) from drop-offs, ditches, embankments or the edge of water.</p>
	<p>WARNING — ELECTRIC SHOCK Do not charge tractor in rain or wet locations. Do not operate tractor in rain. Never douse or hose the tractor with water.</p>
	<p>WARNING – AVOID AMPUTATION INJURY Do not put hands or feet near or under the cutting deck. Contact with the blade(s) can amputate hands and feet.</p>
	<p>WARNING – AVOID AMPUTATION INJURY Do not put hands or feet near rotating parts or under the cutting deck. Contact with the blade(s) can amputate hands and feet. Ensure that all safety devices (guards, shields, switches, etc.) are in place and working. Belt and/or blade spindle contact can crush or injure body parts.</p>

SAFETY SYMBOLS

Symbol	Description
	<p>WARNING – AVOID CRUSH/PINCH POINT INJURY Read, understand and follow all the safety rules and instructions in the manual(s) and on the tractor before attempting to service this tractor. For foot lift models only, the deck lift system is spring-assisted and under tension. Always use the provided multi-tool to secure the lift system in the locked position before attempting to remove the mower deck.</p>
	<p>WARNING – REMOVE KEY Always turn off blade(s), move the drive control levers outward into park position, stop engine and remove key before dismounting. If you are leaving the tractor unattended, always remove the key to prevent unauthorized use by children or others.</p>
	<p>WARNING – CHARGING THE TRACTOR Read, understand and follow all the safety rules and instructions in the manual(s) and on the tractor before attempting to charge this tractor. Do not charge tractor in rain or wet locations. Do not operate tractor in rain.</p>
	<p>WARNING — STORE TRACTOR INDOORS Store tractor indoors at all times when not in use.</p>
	<p>DANGER — DO NOT SERVICE Many components on this tractor should only be serviced by an authorized service dealer. Read this Operator's Manual before attempting to service this tractor.</p>

⚠ WARNING

Your Responsibility—Restrict the use of this power machine to persons who read, understand and follow the warnings and instructions in this manual and on the machine - **SAVE THESE INSTRUCTIONS!**

ASSEMBLY

NOTE: Reference to right and left hand side of the tractor is observed from the operating position.

NOTE: Some components may come already assembled. If they are already assembled, skip ahead to the next step.

Manually Moving the Tractor

⚠ CAUTION

Never tow your tractor. Towing the tractor with the rear wheels on the ground may cause severe damage to the drive motors.

The tractor can be moved as long as the parking brake is not set. The tractor can be pushed slowly.

Install Hitch (If Necessary)

1. Locate Hitch (a) and install on the rear of the frame using the two hex washer screws (b) provided (Figure 1).

NOTE: Hitch and hex washer screws will be in the hardware pack.

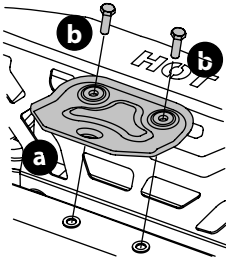


Figure 1

Reposition Upper Hoop (If necessary)

The upper hoop may be positioned down for shipping purposes:

1. Remove the two hex washer screws (a) partially installed on the frame (Figure 2).
2. Rotate the upper hoop (b) into position (Figure 2).
3. Secure hoop in place with the hex washer screws removed in step 1. Torque the hex washer screws to 179-219 in-lbs (20-25 N-m).

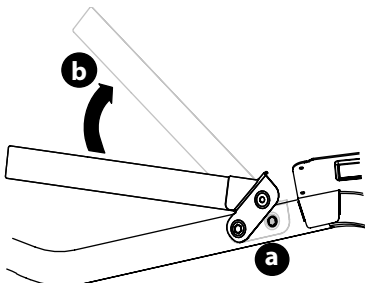


Figure 2

Install Operator's Seat

KNOB ADJUST OR LEVER ADJUST

1. Cut any straps securing the seat assembly to the tractor. Remove all packing material.

NOTE: Be careful not to cut the seat wiring harness.

2. Install the seat onto the seat pan (a) using hardware provided.

- For a Knob Adjust seat: insert bolts (b) in the rear holes and lock washer (c) and knobs (d) in the front. Tighten securely (Figure 3).
- For a Lever Adjust seat: use flange lock nuts (a) and flat washers (b) (Figure 4).

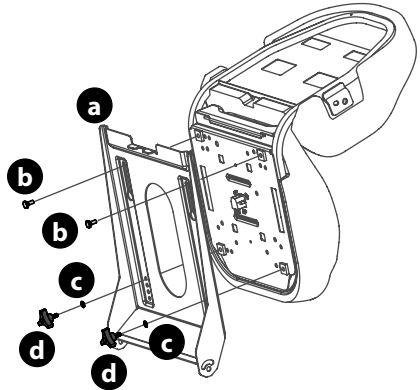


Figure 3

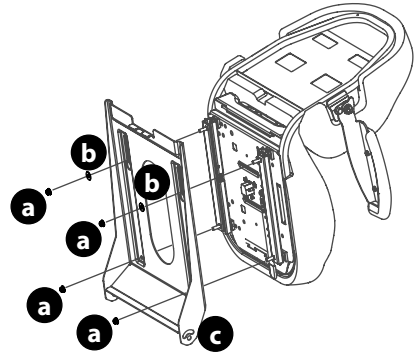


Figure 4

ASSEMBLY

- If necessary, securely connect the seat switch wiring harness (a) to the seat switch (b) (Figure 5). Secure excess wire away from pinch points before continuing.

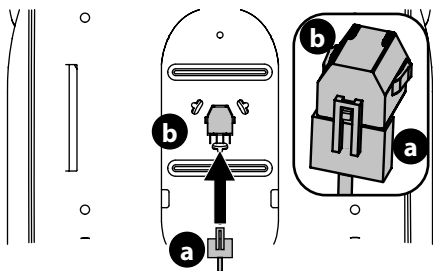


Figure 5

NOTE: The tractor will not operate without the seat switch wiring harness connected.

Position Lapbar Drive Control Levers

The lapbar drive control levers can be adjusted up/down and forward/backward for the operator's comfort. Three height positions are available and/or levers can be rotated forward or rearward using the knob.

TO ADJUST THE LAPBAR DRIVE CONTROL LEVER HEIGHT:

- Remove the two carriage screws (a) and two flange lock nuts (b) that secure the lapbar drive control lever (c) to the upper handle adjuster (d) (Figure 6).

NOTE: The multi-tool (if equipped) can be used to make this adjustment.

- Move the lapbar drive control lever into one of the three available heights and secure in place with the carriage screws and flange lock nuts (Figure 6).

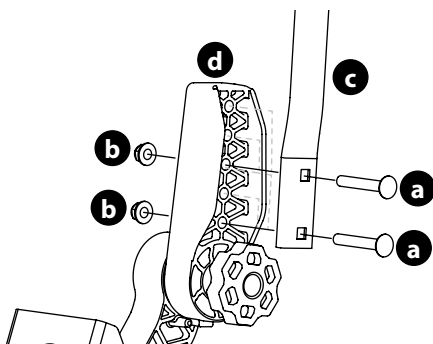


Figure 6

TO ADJUST THE LAPBAR DRIVE CONTROL LEVERS FORWARD/REARWARD:

- Rotate the knob (a) counter-clockwise to loosen the knob (a) (Figure 7).
- Lift and rotate the lapbar drive control lever into the desired position.

- Rotate the knob clockwise to secure the lapbar drive control lever into position (Figure 7).

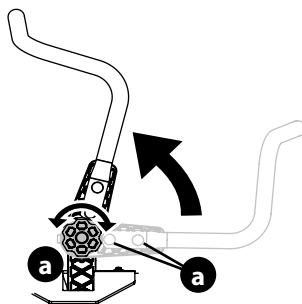


Figure 7

- If the lapbars do not line up after making the knob adjustment, loosen nuts (b), align lapbars and retighten nuts. Once this fine adjustment is made, the lapbars will align when using the knob adjustment (Figure 7).

Lower Discharge Chute Deflector

⚠ WARNING

Never operate the cutting deck without the chute deflector installed and in the down position.

ATTACHING THE CHUTE DEFLECTOR (IF NECESSARY)

- If necessary, remove the keys attached with a zip tie to the chute bracket.
- Align the two chute deflector mounting holes (a) with the to deck mounting holes (b).
- Using two carriage bolts (c) and two flange nuts (d), secure the chute deflector to the deck (Figure 8). Tighten to 170-200 in-lbs (18.5-23 N-m) (Figure 8). Skip ahead to Setting Deck Wheels.

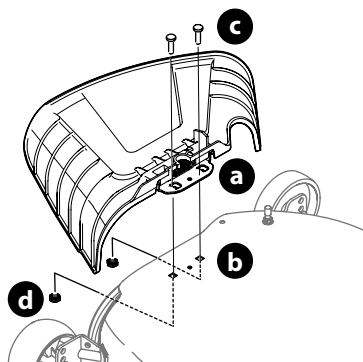


Figure 8

ASSEMBLY

REMOVING THE STOP BRACKET (IF NECESSARY)

1. If the chute is shipped attached and with a stop bracket holding the chute upright, the stop brackets must be removed prior to operating the tractor.
2. Holding the chute deflector fully upward, remove the stop bracket. Lower the chute deflector and discard the stop bracket (Figure 9).

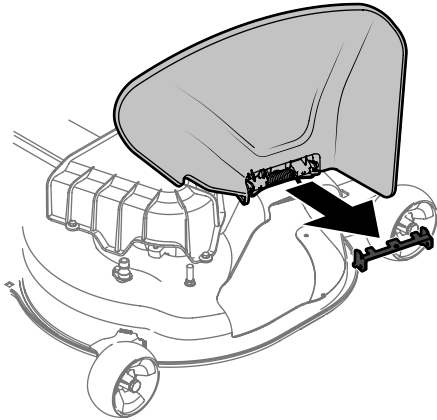


Figure 9

Setting Deck Wheels (If equipped)

NOTE: The deck wheels are an anti-scalp feature of the deck and are not designed to support the weight of the cutting deck.

1. Move the tractor to a level surface, preferably pavement.
2. Check tire pressure, adjust, if necessary. See tire side wall for proper tire pressure.
3. Make sure the deck is level side-to-side and properly pitched. See the Service and Maintenance section for deck leveling information and instructions.
4. Place deck lift lever or knob in the desired mowing height position and lower deck.
5. Check the wheels for contact or excessive clearance with the surface below.

NOTE: The deck wheels should have between $\frac{1}{4}$ " (6.35mm) and $\frac{1}{2}$ " (12.7mm) clearance above the ground.

6. Remove the lock nut (a) gauge wheel (b) and shoulder screw (c) from the deck (Figure 10).
7. Insert the shoulder screw into one of four index holes on deck wheel bracket. Allow a $\frac{1}{4}$ - $\frac{1}{2}$ " (6.35-12.7 mm) clearance between the ground and gauge wheel.
8. Note the index hole used on previously adjusted wheel. Repeat adjustment on opposite side to align both gauge wheels.

NOTE: Refer to Adjusting the Deck section of this manual for more detail.

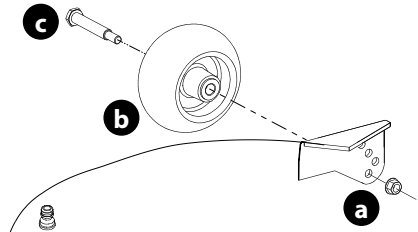


Figure 10

Checking Tire Pressure

See the tire sidewall for the proper inflation pressure. Proper inflation pressure should be maintained at all times.

Charging the Battery

⚠ WARNING

California Proposition 65: Cancer and reproductive harm — www.P65Warnings.ca.gov.

The battery contains corrosive fluid and toxic material — **HANDLE WITH CARE.** Keep away from children. Do not puncture, disassemble, mutilate, or incinerate. Explosive gases could be vented during charging or discharging. Charge in a well ventilated area, away from sources of ignition.

Recharge only with the charger provided with this tractor. A charger that is not suitable for this tractor may damage the batteries or create the risk of fire.

Do not charge or operate the tractor in the rain or in wet conditions.

Refer to the manual packed with your battery charger for further information and instructions on charging the battery. The charging port on the tractor is located on the left side of the dash.

To charge the battery:

1. Lift the charging port cover (a) (Figure 11).
2. Insert the charging cord (b) into the charging port (c) (Figure 11).
3. Plug charger power cord into wall receptacle (outlet).

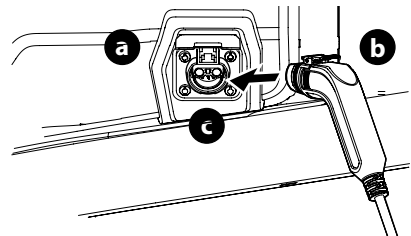


Figure 11

ASSEMBLY

NOTE: It will take approximately 4 hours to fully charge the battery.

NOTE: The battery icon on the Vehicle Control Module (VCM) will blink continuously when charging and the LCD display will display percentage of charge. The battery is completely charged when the battery icon is solid and the LCD displays 100%.

NOTE: When the charging cord is plugged into the tractor and not yet plugged into the wall, the battery icon will illuminate continuously until the cord is plugged into the wall.

If at any time your charger displays a fault while charging your battery, follow these procedures:

1. Power off the tractor.
2. Unplug the charging cord from the tractor.
3. Unplug the charger power cord from the power source.
4. Plug the charger power cord back into the power source.
5. Plug the charging cord back into the tractor.
6. If the fault persists contact qualified service personnel.

NOTE: Rechargeable batteries degrade with time and use. The battery may eventually need to be replaced. To have the battery replaced, contact your authorized Service Dealer.

NOTE: Using old or faulty battery could cause a system fault that results in loss of power.

BATTERY CHARGING TIPS

- The battery should be fully charged before the initial use.
- The battery should be fully charged after each use. Storing the battery in a discharged state could reduce performance.
- The battery will turn off automatically after a complete charge.
- It will take approximately 4 hours to fully charge the battery. Leaving the battery connected to the charger for more than 4 hours will not damage the battery.
- The battery does not develop a memory and does not need to be fully discharged before recharging.
- Always disconnect battery charger (or extension cord, if used) from the electrical receptacle (outlet) first, then disconnect the charging cord from the charging port.
- Never charge a frozen battery.
- It is recommended that the tractor be charged once every month during off-season storage.

Adjusting the Seat

⚠ WARNING

Before operating the tractor, make sure the seat is engaged in the seat-stop. Engage the parking brake. Stand behind the tractor and pull back on seat until it clicks into place.

KNOB ADJUST

1. Remove the knobs (a).
2. Slide the seat up or down into the desired position.
3. Replace the knobs into one of the four hole settings and tighten securely (Figure 12).

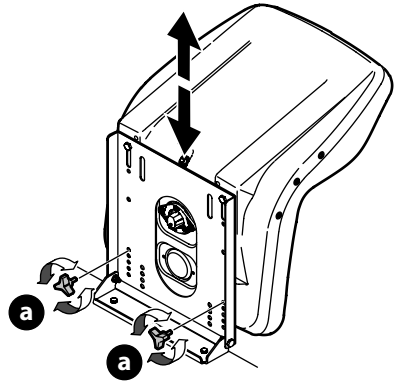


Figure 12

LEVER ADJUST

1. Push left and hold the seat adjustment lever to adjust the seat position.
2. Slide seat forward or rearward to desired position.
3. Release the adjustment lever. Ensure seat is locked into position before operation (Figure 13).

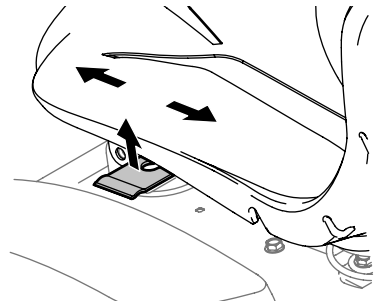


Figure 13

OPERATION

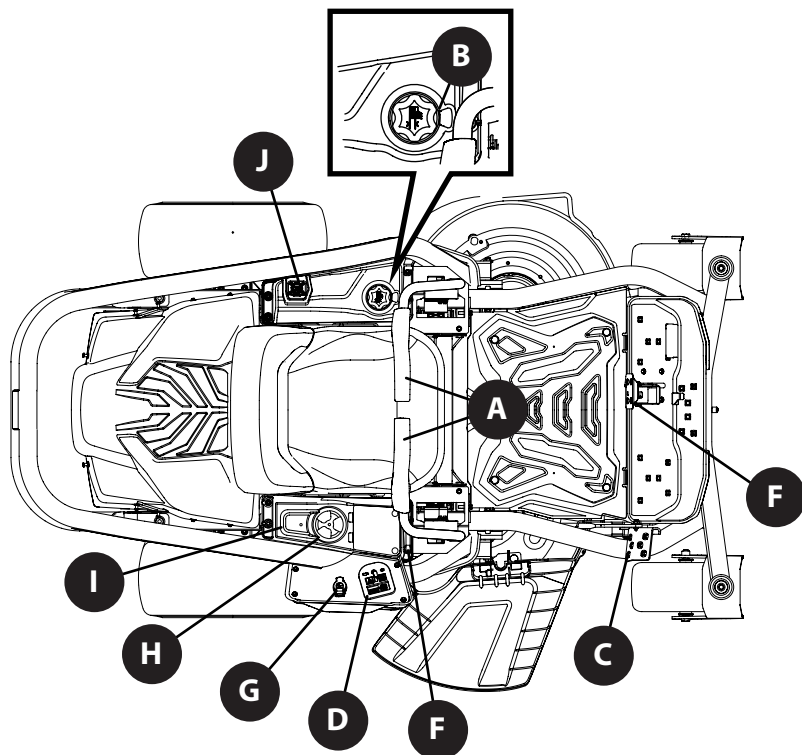


Figure 14

A. LAPBAR DRIVE CONTROL LEVERS

The RH (Right Hand) and LH (Left Hand) lapbar drive control levers are located on each side of the operator's seat. The hinged levers pivot outward to permit the operator to sit in the seat, or dismount. To start the tractor, the lapbar drive control levers must be fully out and in park position.

Each drive control lever controls the respective motor. Consequently, these levers control all of the tractors movement. Driving and steering using these control levers is quite different from a conventional tractor and will take practice to master. Refer to Practice Operation section for further instructions.

B. DECK HEIGHT INDEX KNOB

Each rotation represents a $\frac{1}{4}$ " (6.35 mm) change in deck height. Positions range from 1" (2.5 cm) to 4- $\frac{1}{2}$ " (11.4 cm) at the highest point.

C. DECK LIFT PEDAL (IF EQUIPPED)

The deck lift pedal is located on the front, right corner of the platform. The pedal is used in conjunction with the deck lift knob (if equipped) to raise and lower the mowing deck. Push forward on the deck lift pedal, rotate the deck lift knob to the desired height and release the deck lift pedal.

OPERATION

D. VEHICLE CONTROL MODULE (VCM)

⚠ WARNING

Never leave a running tractor unattended. Always disengage PTO, set parking brake, stop tractor and remove the key to prevent unintended starting.

The vehicle control module (VCM) is located on the right console.

The VCM (Figure 15) is the location of several control buttons for your tractor. The VCM includes the START/STOP button, PTO (blades ON/OFF) button, Eco Mode Button, Headlight Button, Low Drive Speed Button, LCD Screen and the Battery Level Indicator.

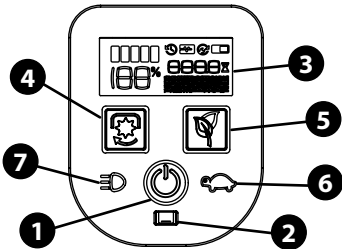


Figure 15

⚠ WARNING

Prior to operating the tractor, refer to both Safety Interlock Switches and Starting The Tractor in the Operation section of this manual for detailed instructions regarding the VCM and operating the tractor.

1. Start/Stop Button - Located on the VCM, the start/stop button is used to start and stop the tractor. While active, the start/stop button indicator ring is illuminated blue.



2. Key Switch - The key switch is located in the center of the VCM and powers the VCM when the key is fully inserted. The tractor cannot be started unless the key is fully inserted and the START/STOP button is depressed. Removing the key turns the tractor off (Figure 16).

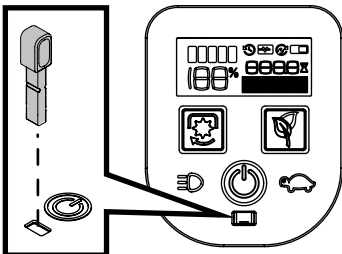


Figure 16

3. LCD Screen & Battery Level Indicator - Located on the VCM, the LCD display & battery level indicator are used to provide instructions, warnings and information about your tractor systems and the battery level of your tractor.

4. PTO (Blades ON/OFF) Button - Located on the VCM, the PTO button is used to operate the blades. To engage the cutting deck (blades ON), press and hold the PTO button for one second. The yellow indicator light around the PTO button is ON. Pressing the PTO button again will disengage the cutting deck (Blades OFF). The yellow indicator light around the PTO button is OFF.



5. Eco Mode Button - Eco mode slightly reduces blade speed to battery run time of the tractor in areas of low grass load.



6. Low Drive Speed Button - Low Drive Speed Button will limit to the ground speed to ~50% scaled over the full travel of the lap bars. This mode is typically used when loading the tractor on a trailer or navigating through tight spaces.



7. Headlight Button - Located on the VCM the headlight button is used to turn the headlights on or off.



E. MULTI-TOOL (IF EQUIPPED)

The multi-tool (a) is located on the front of the right console (Figure 17). The multi-tool (a) can be used as a deck lift lockout, to remove the footpan bolt, adjust the height of the lapbar drive control levers, drive control lever stop adjustment and can be used as a removal tool with the 1/2" socket end. See the Service and Maintenance section for more information on multi-tool (a) usage.

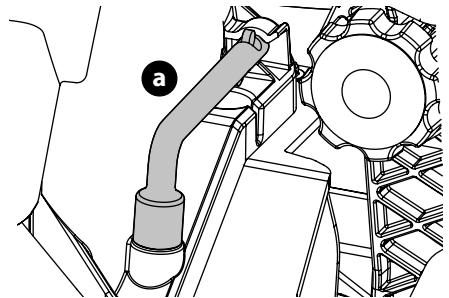


Figure 17

OPERATION

F. BRAKE PEDAL

The brake pedal is located in the center of the tractor, in front of the floor pan. The brake pedal can be used for stopping the tractor or setting the parking brake.

Setting The Parking Brake

1. Push the brake pedal (a) all the way forward and to the right (Figure 18).
2. Rotate the brake pedal pad (b) forward to engage the parking brake latch (c).
3. Ensure the brake pedal is fully engaged with the parking brake latch.
4. To disengage the parking brake, push the brake pedal forward and rotate the pedal back.

NOTE: The brake pedal must be fully depressed to start the tractor. Refer to Safety Interlock Switches for more information.

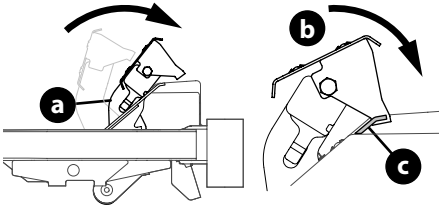


Figure 18

G. USB CHARGING PORTS (IF EQUIPPED)

If equipped, a pair of USB power sources are located to the right of the operator's seat. The two USB ports are both rated 2.1A. The ports can be used to charge your phone or power up other USB devices.



H. CUP HOLDER

The cup holder is located to the right of the operator's seat.

I. STORAGE TRAY

The storage tray is located to the right of the operator's seat.

J. CHARGING PORT

The charging port is located to the left of the operator's seat. To access the charging port, lift up on the charging port cover.

⚠ WARNING

Do not have any devices plugged into your USB charging port when starting the tractor. Doing so may cause damage to your device.

K. SEAT ADJUSTMENT LEVER (NOT SHOWN/IF EQUIPPED)

The seat adjustment lever is located under the seat. The seat adjustment lever allows for adjustment forward or backward of the operator's seat. Refer to the Assembly & Set-Up section for instructions on adjusting the seat position.

Note: If your tractor is not equipped with a seat adjustment lever, it can be adjusted using the knobs on the underside of the seat. Refer to the Assembly & Set-Up section for instruction on adjusting the seat.

Operation

Safety Interlock System

⚠ WARNING

Do not operate the tractor if the safety interlock system is malfunctioning. This system was designed for your safety and protection.

This tractor is equipped with a safety interlock system for the protection of the operator. If the interlock system should ever malfunction, do not operate the tractor. Contact an authorized service dealer.

- The safety interlock system prevents the operator from turning the tractor ON unless the operator is in the seat with the lapbar drive control levers fully out and in the park position.
- The tractor will not operate with the charger cord plugged into the charging port and/or the charging port cover open or removed.
- The tractor will automatically shut off the blade(s) and drive motors if the operator leaves the seat.

CHECKING THE SAFETY INTERLOCK CIRCUITS

- With the tractor running, move both lapbar drive control levers fully inward in the neutral position. Lift upward from the operator's seat; the tractor should stop.
- With both lapbar drive control levers fully outward and the parking brake engaged, press the PTO button to engage the blades. Lift upward from the operator's seat; the tractor should stop.

OPERATION

Starting the Tractor

1. Unplug the charging cord (if necessary) (Figure 19). If the cord is still plugged in a reminder will display on the VCM when the key switch is turned on.

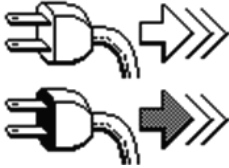


Figure 19

2. Sit in the operator's seat. Fully insert the key into the key switch.
3. Set the lapbar drive control levers fully out (Figure 20).

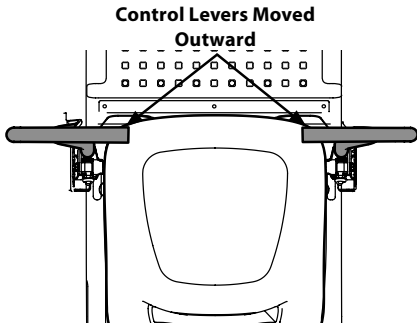


Figure 20

4. Push brake pedal in.
5. Press the start/stop button down until you hear two beeps.

NOTE: The VCM and drive motors are now activated and the tractor is ready to be operated.

6. Disengage the parking brake when ready to move the tractor.

Stopping the Tractor

⚠ WARNING

If you strike a foreign object, stop the tractor, and remove the key. Thoroughly inspect the tractor for any damage. Repair the damage before restarting and operating.

1. Move both lapbar drive control levers to the neutral position to stop the motion of the tractor.
2. If the cutting deck is engaged (blades ON), press the PTO button to disengage the blades (blades OFF).
3. Set the lapbar drive control levers fully out.

4. Use the deck lift knob/pedal to raise the deck to its highest position.
5. Engage the park brake.
6. Press the start/stop button (you will hear one beep).
7. Remove the key to prevent unauthorized use by children or others.

Driving the Tractor

⚠ WARNING

Keep all movement of the lapbar drive control levers slow and smooth. Abrupt movement of the control levers can affect the stability of the tractor and could cause the tractor to flip over, which may result in serious injury or death to the operator.

1. Adjust the operator's seat to the most comfortable position that allows you to operate the controls. See seat adjustment in the Assembly section.
2. Move the RH and LH lapbar drive control levers inward to the neutral position (Figure 21) and disengage the parking brake.

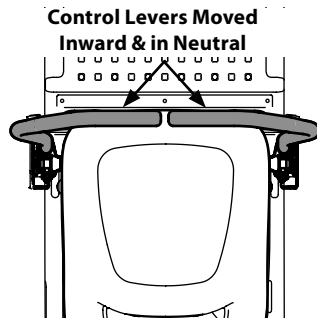


Figure 21

NOTE: Lapbar drive control levers must be moved fully inward and the park brake disengaged before driving the tractor. Parking the tractor on uneven terrain or a hill may cause the brakes to bind and not release fully.

NOTE: If the lap bar drive control levers are not even in the neutral position, refer to Maintenance & Adjustments for instructions to adjust the lapbar drive control levers so that they are even.

⚠ WARNING

Always maintain a firm grip on the control levers. DO NOT release the control levers to slow or stop the tractor; move levers to neutral position using your hands.

3. To drive the tractor, firmly grasp the respective lapbar drive control levers with your right and left hands and continue with Driving the Tractor Forward in the next section.

OPERATION

Driving the Tractor Forward

1. Slowly and evenly move both lapbar drive control levers forward. The tractor will start to move forward (Figure 22).

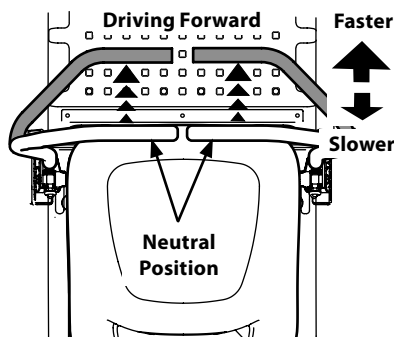


Figure 22

2. As the lapbar drive control levers are pushed farther forward the speed of the tractor will increase.
3. To slow the tractor move the drive controls lever rearward to attain the desired speed, or move the lapbar drive control levers to the neutral position to stop the tractor.

Turning the Tractor While Driving Forward

⚠ WARNING

Sharp turns can affect control of the tractor. ALWAYS slow the tractor before making sharp turns.

To turn the tractor while driving forward, move the lapbar drive control levers as necessary so that one drive control lever is rearward of the other. The tractor will turn in the direction of the rearward drive control lever.

1. To turn to the left, move the left drive control lever rearward of the right drive control lever (Figure 23).

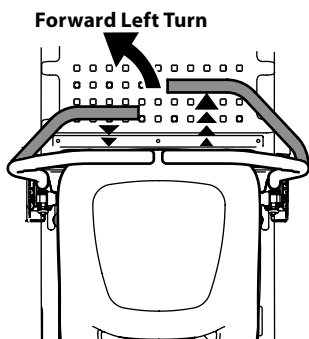


Figure 23

2. To turn to the right, move the right drive control lever rearward of the left lever (Figure 24).

Forward Right Turn

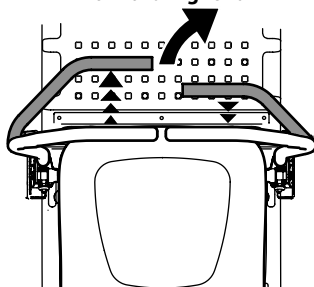


Figure 24

3. The greater the distance between the two levers, the sharper the tractor will turn.
4. To execute a "pivot turn," move the turn side drive control lever to the neutral position, while moving the other control lever forward.

NOTE: Making a "pivot turn" on grass will greatly increase the potential for defacement of the turf.

Driving the Tractor in Reverse

⚠ WARNING

Always look behind and down on both sides of the tractor before backing up. Always look behind while traveling in the reverse direction. Mowing in reverse is not recommended.

1. Slowly and evenly move both lapbar drive control levers rearward. The tractor will start to move in the reverse direction (Figure 25).

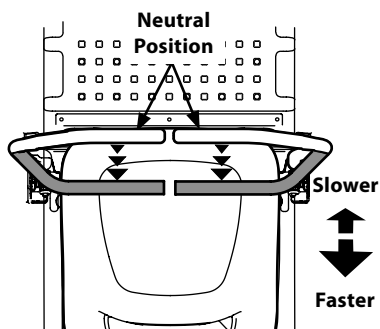


Figure 25

2. As the lapbar drive control levers are pushed farther rearward the speed of the tractor will increase.
3. To slow the tractor move the lapbar drive control levers forward to attain the desired speed, or move the lapbar drive control levers to the neutral position to stop the tractor.

OPERATION

Turning While Driving Rearward

To turn the tractor while driving rearward, move the lapbar drive control levers as necessary so that one drive control lever is forward of the other. The tractor will turn in the direction of the forward lapbar drive control lever.

1. To turn to the left while traveling in reverse, move the left drive control lever forward of the right drive control lever (Figure 26).

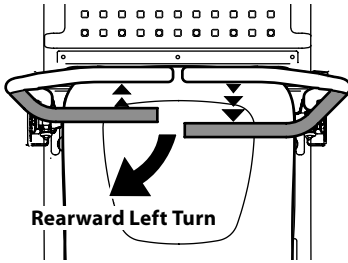


Figure 26

2. To turn to the right while traveling in reverse, move the right drive control lever forward of the left drive control lever (Figure 27).

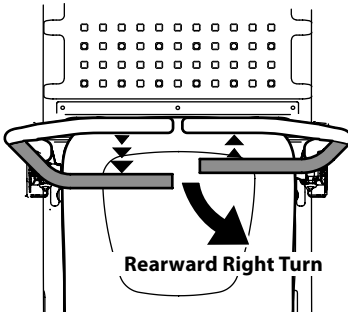


Figure 27

NOTE: The greater the distance between the two lapbar drive control levers, the sharper the tractor will turn.

3. To execute a "pivot turn," move the turn side drive control lever to the neutral position, while moving the other drive control lever rearward.

NOTE: Making a "pivot turn" on grass will greatly increase the potential for defacement of the turf.

Executing a Zero Turn

1. Stop the forward or reverse motion of the tractor by moving the two lapbar drive control levers to neutral
2. To turn clockwise, move the left lapbar drive control lever forward while simultaneously moving the right lapbar drive control lever rearward (Figure 28).

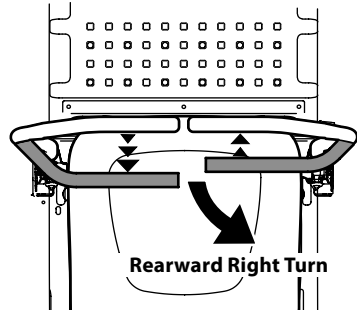


Figure 28

3. To turn counterclockwise, move the lapbar right drive control lever forward while simultaneously moving the left lapbar drive control lever rearward (Figure 29).

Counterclockwise Zero Turn

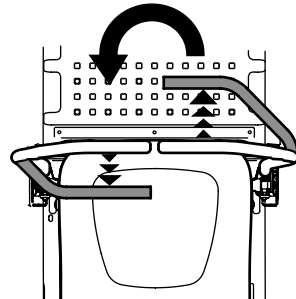


Figure 29

OPERATION

Operating the PTO

To operate the PTO (Blades ON/OFF) proceed as follows:

Press the PTO button for one second. When activated the yellow indicator light under the PTO button is ON (Blades ON). Press the PTO button again for one second, green indicator light is OFF (Blades OFF).

Mowing

WARNING

To help avoid blade contact or a thrown object injury, keep bystanders, helpers, children and pets at least 75 feet (23 meters) from the tractor while it is in operation. Keep bystanders, children and pets inside during operation. Stop tractor if anyone enters the area.

Plan your mowing pattern to avoid discharge of materials toward roads, sidewalks, bystanders and the like. Also, avoid discharging material against a wall or obstruction which may cause discharged material to ricochet back toward the operator.

The following information will be helpful when using the cutting deck with your tractor:

1. Do not mow or drive at high ground speed, especially if a mulch kit or grass collector is installed.
2. For best results it is recommended that the first two laps be cut clockwise with the discharge facing towards the center of your lawn. After the first two laps, reverse the direction to discharge to the outside for the balance of cutting. This will give a better appearance to the lawn.
3. Do not cut the grass too short. Short grass invites weed growth and yellows quickly in dry weather.
4. Under heavier conditions it may be necessary to go back over the cut area a second time to get a clean cut.
5. Do NOT attempt to mow heavy brush and weeds and grass taller than 10" (25.4 cm). Your tractor is designed to mow lawns, NOT clear brush.

SERVICE AND MAINTENANCE

⚠ WARNING

Before inspecting, cleaning or servicing the tractor, power off the tractor and remove the key.

Follow the maintenance schedule given below. This chart describes service guidelines only. Use the Service Log column to keep track of completed maintenance tasks. **Contact an authorized service dealer to schedule a service.**

IMPORTANT: Bring the battery charger when arriving at your authorized service dealer for any scheduled service.

⚠ DANGER

The electrical components on this tractor are not serviceable. Please contact an authorized service dealer for any service needs.

Have your tractor serviced by qualified service personnel using only identical replacement parts. This will ensure that the safety of the tractor is maintained.

NOTE: At relevant service intervals on start-up, service minders will be displayed on the VCM. To clear service minders press the low drive speed (Turtle) button. (S02) shown for example.



	Prior to Use	After First Five Hours (S01)	Every Five Hours (S02)	Every 10 Hours (S03)	Every 25 Hours (S04)	Every 50 Hours (S05)	Every 100 Hours (S06)	Prior to Storing
Clean Top and Underside of Deck	✓							✓
Check/Clean Around fuses, Wiring and Wiring Harnesses	✓							✓
Check/Clean Around Transmission and Axle	✓							✓
Clean Tractor	✓							
Lube Front Rims					✓			✓
Lube Pedal Pivot Points, Parking Brake and Lift Linkage				✓				✓
Check Tire Pressure/Inflate to Sidewall Specification	✓		✓					
Check Deck Level/Pitch/Adjust as needed					✓			✓
Check Blade(s)/Sharpen or Replace as Needed	✓			✓				✓
Charge Battery	✓							✓
Check Safety Interlock System				✓				
Check Tractor Blade Stop Time				✓				
Check Blade Mount Bolt Torque (Tighten to 450-600 in-lbs (51.9-67.8 N-m))		✓				✓		✓
Sharpen Blades				✓				
Check That All Hardware is in Place and Secure				✓			✓	

SERVICE AND MAINTENANCE

Post-Operation Tractor Care

After each operation of the tractor, the following procedures should be implemented to extend the life of your tractor and ensure safe operating conditions.

⚠ DANGER

Failure to follow these recommendations may result in serious injury to yourself or others and may cause damage to the tractor.

CLEANING THE UNDERSIDE OF THE DECK

⚠ WARNING

To prevent serious injury, do not use water to clean the tractor, battery or battery charger. Do not use strong detergents. Household cleaners that contain aromatic oils such as pine and lemon, and solvents such as kerosene, can damage plastic.

The underside of tractor deck should be cleaned after each use as grass clippings, leaves, dirt and other debris will accumulate. This accumulation of grass clippings, etc., is undesirable as it will promote rust and corrosion.

1. Remove any buildup of grass, leaves and debris on or around the deck motors and underside of the tractor (DO NOT USE WATER). Wipe the tractor clean with a dry cloth.

Important: Do not use a pressure washer or garden hose to clean your tractor. These may cause damage to electric components or the electric motor. The use of water will result in shortened life and reduce serviceability.

CLEANING THE TRACTOR

⚠ WARNING

If the tractor has been recently run, metal surfaces will be hot and can cause burns to the skin. Let the tractor cool for at least five minutes. Exercise caution to avoid burns.

Your tractor should be cleaned after each use and under certain conditions, i.e. dry conditions and/or mulching situations, additional cleaning may be necessary.

One of the best ways to keep your tractor running efficiently and to reduce fire risk is to regularly remove debris buildup from the tractor. Follow the recommendations below and contact your authorized dealer with any questions.

- Allow the tractor to cool in an open area before cleaning.
- Do not use water on any part of the tractor (Figure 30). Doing so can cause damage to the tractor's electrical components and motors. The use of compressed air and/or leaf blower or a brush, damp sponge or rag will help keep the tractor clean.
- Clean around fuses and wiring harnesses.
- Clean the top of the tractor deck.

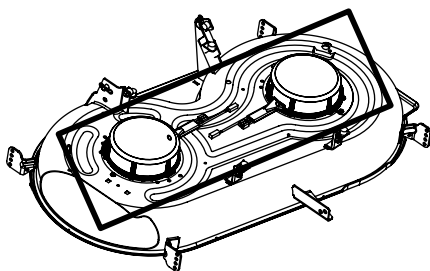


Figure 30

- Clean around and near the transmission and axle (Figure 31).

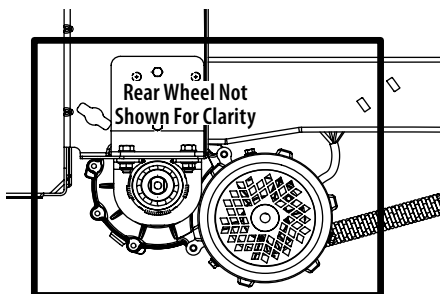


Figure 31

- Debris can accumulate anywhere on the tractor, especially on horizontal surfaces. Additional cleaning may be necessary when mowing in dry conditions or when mulching.
- Excess lubrication can become collection sites for debris. Immediate repair and cleaning up excess lubrication can help reduce fire hazards.
- In addition to cleaning the tractor before operating and storing, do not attempt to mow unusually tall grass (10" (25.4cm) or higher), dry grass (e.g., pasture) or piles of dry leaves. Dry grass or leaves may build up on the tractor deck presenting a potential fire hazard.

SERVICE AND MAINTENANCE

Maintenance

REMOVING THE FLOOR PANEL (IF EQUIPPED)

⚠ WARNING

Do not operate tractor with floor panel removed.

The floor panel can be removed for maintenance, service and cleaning. To remove the floor panel:

1. Using the multi-tool (if equipped) or a 1/2" socket, remove the hex screw (a) that secures the floor panel in place (Figure 32).
2. Carefully lift the rear of the floor panel.
3. Slide the floor panel rearward to free the front of the floor panel.
4. Lift the floor panel off the tractor.

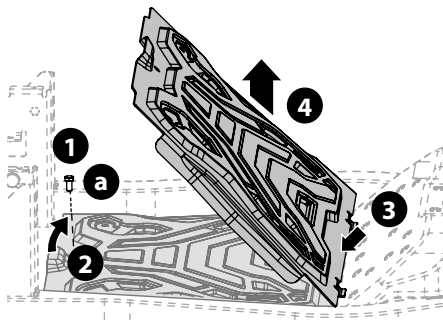


Figure 32

5. To reinstall the floor panel, carefully put the floor panel back in place and reinstall the hex screw removed in step 1. Torque to 108-132 in-lbs (12-15 N-m).

LUBRICATION

⚠ WARNING

Before lubricating, repairing, or inspecting, always disengage PTO, set parking brake, stop the tractor and remove key to prevent unintended starting.

- Using a quality lubricating oil, lubricate all lubrication points. Refer to maintenance schedule chart located in this manual for proper service intervals.

TIRES

Keep the tires inflated to the recommended pressures. Improper inflation will shorten the tire service life. See the tire side wall for proper inflation pressures. Refer to maintenance schedule chart located in this manual for proper service intervals.

Observe the following guidelines:

- Do not inflate a tire above the maximum pressure shown on the sidewall of the tire.
- Do not reinflate a tire that has been run flat or seriously under inflated. Have it inspected and serviced by a qualified tire mechanic.

Adjustments

ADJUSTING DECK LIFT PEDAL

The deck lift pedal can be adjusted to operator preference.

1. Set the deck to the transport position.
2. Remove the hex bolt, washer and hex nut near the center of the pedal assembly (Figure 33).

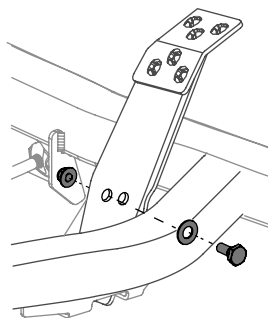


Figure 33

3. Position the pedal to the optimal position based on user preference (Figure 34).

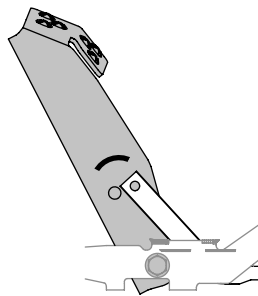


Figure 34

4. Reinstall the hardware previously removed and torque the nut to 28-35 ft-lbs (38-47 N-m).

SERVICE AND MAINTENANCE

Deck Leveling

If the cutting deck appears to be mowing unevenly, leveling adjustments can be performed.

⚠ WARNING

If the tractor has been recently run, the engine, muffler and surrounding metal surfaces will be very hot and can cause burns to the skin. Let the engine cool for at least five minutes. Exercise caution to avoid burns.

LEVELING THE DECK (SIDE-TO-SIDE)

1. Place the deck lift handle or deck lift knob in a middle mowing position and rotate both outside blades so that they are perpendicular with the tractor.
2. Measure the distance from the outside of the left blade tip to the ground and the distance from the outside of the right blade tip to the ground. Both measurements taken should be equal. If they're not, proceed to the next step.
3. Locate the adjustment bolts (a) on the left and right side of the deck (Figure 35).

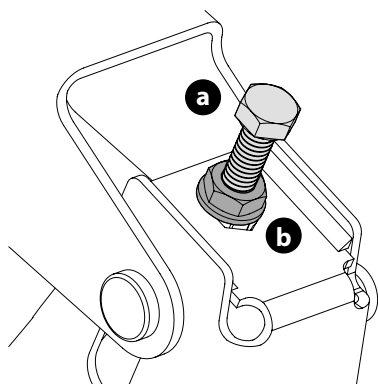


Figure 35

4. Loosen, but do not remove, the jam nuts (b) on the adjustment bolt. Adjust either the right or left adjustment bolt up or down as necessary until the side-to-side heights are equal.

NOTE: Continue to check the front-to-back leveling as you make the side-to-side adjustment as the side-to-side adjustment can affect the front-to-back level. If necessary, adjust front-to-back as instructed previously.

5. When proper adjustment is achieved, re-tighten the jam nuts (b). Tighten to 200 ft-lbs (22.5 N-m).

LEVELING THE DECK (PITCH/FRONT-TO-REAR)

The front of the deck should be between 1/16-1/4" (2-6 mm) lower than the rear of the deck. Adjust if necessary as follows:

1. Park the tractor on a firm, level surface and place the deck lift handle or deck lift knob in a middle position.
2. Rotate the blade nearest the discharge chute so that it is parallel with the tractor.
3. Measure the distance from the front of the blade tip to the ground and the rear of the blade tip to the ground. The first measurement taken should be between 1/16-1/4" (2-6 mm) less than the second measurement.
4. Determine the approximate distance necessary for proper adjustment and proceed, if necessary.
5. To raise the front of the deck, remove the end cap, loosen the outer jam nut (a) then tighten (thread inward) the inner nut (b) against the front hanger bracket. When proper adjustment is achieved, re-tighten the outer jam nut (a) and replace the end cap (Figure 36).

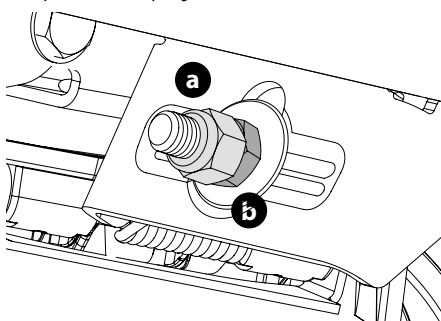


Figure 36

6. To lower the front of the deck, remove the end cap, loosen the outer jam nut (a) then loosen (thread outward) the inner nut (b), away from the front hanger bracket. When proper adjustment is achieved, re-tighten the outer jam nut (a) to 57 ft-lbs. (77.28 N-m) and replace the end cap.

ADJUSTING THE DECK WHEELS

⚠ WARNING

Keep hands and feet away from the discharge opening of the cutting deck.

NOTE: The deck wheels are an anti-scalp feature of the deck and are not designed to support the weight of the cutting deck. The deck wheels should be approximately 1/4-1/2" (6.35-12.7 mm) above the ground when the deck is set in the desired height setting. To adjust the deck wheels see the Assembly section for instructions.

SERVICE AND MAINTENANCE

LAPBAR DRIVE CONTROL LEVER STOP ADJUSTMENT

When the lapbar drive control levers are both fully extended forward to the full-speed position and the tractor drifts left or right, the lapbar drive control lever stop adjustment can be adjusted to sync the wheel speeds. To perform the adjustment, proceed as follows:

1. Identify the side that the tractor is drifting to and adjust the opposite lapbar drive control lever. If the tractor drifts right, adjust the left lapbar drive control lever down (decrease speed) and vice versa.
2. Locate the lapbar drive control lever stop adjustment bolts (a) on the front of the seat frame (Figure 37).

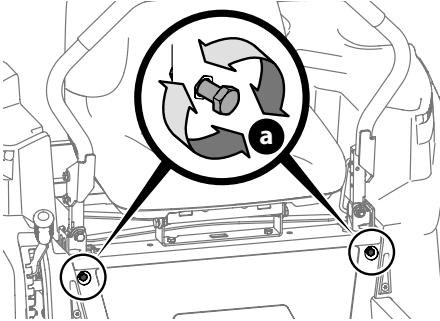


Figure 37

NOTE: The multi-tool (if equipped) can be used to make this adjustment.

3. To decrease the forward speed, turn the lapbar drive control lever stop adjustment bolts (a) clockwise. To increase the forward speed, turn the lapbar drive control lever stop adjustment bolts (a) counter-clockwise. Turn the lapbar drive control lever stop adjustment bolts (a) in the necessary direction 1/4-turn at a time. After turning the lapbar drive control lever stop adjustment bolts (a), check the adjustment by driving the tractor.
4. Continue the adjustment until the wheel speeds are in sync and the tractor drives straight with the drive control levers fully extended forward in the full-speed position.

NOTE: Make sure the bolts extend through the nuts on the frame to engage the locking feature.

Seat Adjustment

Refer to the Assembly section of this manual for seat adjustment

instructions.

Service

DECK REMOVAL

Remove the tractor deck from the tractor as follows:

1. Power off the tractor, remove the key from the key switch, and engage the parking brake.
 - a. Use the deck lift pedal and deck height index knob to lower the deck into the lowest position and use the multi-tool (a) to lock the deck lift components in place (Figure 38).

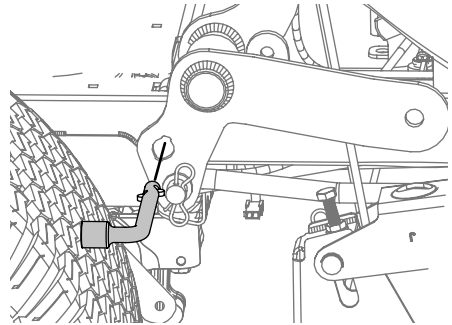


Figure 38

WARNING

The deck lift on tractors with the deck lift knob is spring-assisted and under tension. Injury can occur if spring-assisted deck lift is released suddenly. Always use the multi-tool to secure the deck lift in place.

SERVICE AND MAINTENANCE

2. Disconnect the deck motor(s) from the adapters on the underside of the tractor. Rotate the connectors 1/4-turn counterclockwise and pull down (Figure 39).

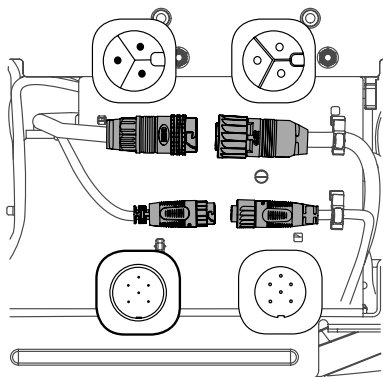


Figure 39

3. Remove the two bow-tie pins (b) from the clevis pins (c) that secure the lift link brackets (d) to the rear deck lift brackets (e) on the deck (Figure 40). Remove the clevis pins (c).

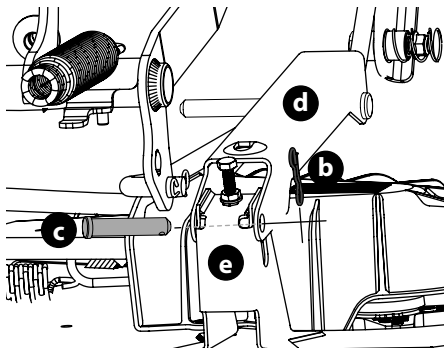


Figure 40

4. Remove the third bow-tie pin (f) from the clevis pin (g) that secures the front deck control rod (h) to the front deck lift bracket (i) (Figure 41). Remove the clevis pin (g).

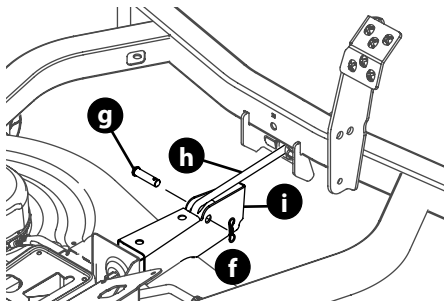


Figure 41

5. Carefully maneuver the deck out from beneath the tractor.

Deck Installation

Install the deck on the tractor as follows:

1. Carefully maneuver the deck under the tractor from the right side, lining up the deck hanger brackets and the deck lift arms on deck lift rod/deck release pin tractors and align the lift link brackets and front deck control rod with the deck lift brackets on three-pin tractors.
2. Once the deck is under the tractor, move the deck lift pedal and deck height index knob to the lowest mowing position.
NOTE: To line the brackets up properly, it may be necessary to place a small block of wood under each side of the deck.
3. Reinstall the applicable deck lift hardware for your tractor.
4. Connect the deck motors with the adapters on the underside of the tractor and rotate 1/4 turn clockwise to secure.
5. Remove multi-tool from the deck lift components.

Blades

⚠ WARNING

Power off the tractor and remove the key before removing the cutting blade(s) for sharpening or replacement. Protect your hands by using heavy gloves when grasping the blade.

Periodically inspect the blade and/or deck motor casting for cracks or damage, especially after you've struck a foreign object. Do not operate the tractor until damaged components are replaced.

The cutting blades must be kept sharp at all times. Sharpen the cutting edges of the blades evenly so that the blades remain balanced and the same angle of sharpness is maintained.

If the cutting edge of a blade has already been sharpened many times, or if any metal separation is present, it is recommended that new blades be installed. New blades are available at your authorized dealer.

The blades may be removed as follows:

1. Remove the deck from beneath the tractor, (refer to Deck Removal) then gently flip the deck over to expose its underside.
2. Loosen the hex nut (a) securing the blade (b). A block of wood (c) may be placed between the deck housing and the cutting edge of the blade (b) to help in breaking loose the hex nut (a) securing the blade (Figure 42).

SERVICE AND MAINTENANCE

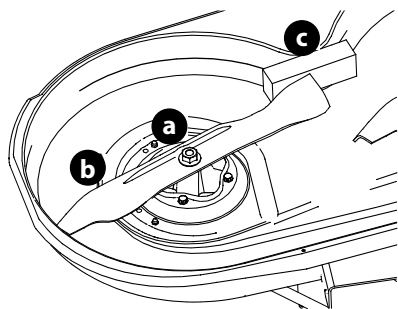


Figure 42

3. When reinstalling the blades, be sure they are installed so that the wings are pointing upward toward the top of the deck.
4. Tighten the hex nuts (a) to 450 - 600 in.-lbs. (50.8-67.8 N-m).
5. Reinstall the deck (refer to Deck Installation).

Off-Season Storage

STORING THE TRACTOR

- Allow the tractor to cool in an open area before storing.
- Do not park the tractor near any flammable materials (wood, cloth or chemicals) or any open flames or other potential source of ignition (furnace, water heater or any other type of heater).
- Remove all combustible materials from the tractor before storing. Empty cargo boxes, grass catchers or containers.

REMOVING THE TRACTOR FROM STORAGE

1. Fully charge the battery and inflate the tires to the recommended pressures.
2. Drive the tractor without a load to make certain all the tractor systems are functioning properly.

BATTERY STORAGE

1. The battery should be stored with a full charge. A discharged battery can freeze faster than a charged battery in cold temperatures.
2. The battery charger should remain connected to the charging port on the tractor when not in use.
3. If keeping the charger connected during off-season storage is not possible, the battery should be fully charged once every month.

NOTE: It will take approximately 4 hours to fully charge the battery. Leaving the battery connected to the charger for more than 4 hours will not damage the battery.

4. Battery should not be kept in a discharged state. Permanent damage to the battery can occur.
5. Fully recharge the battery before returning to service.

Battery Disposal

DISPOSING OF DAMAGED OR WORN-OUT BATTERY

WARNING

The following toxic and corrosive material is used in this battery: LITHIUM-ION, a toxic material.

Do not use broken or cracked batteries, even if there is no leakage. Replace damaged or worn-out batteries with new batteries. DO NOT ATTEMPT TO REPAIR BATTERIES! Repair attempts may result in severe personal injury, due to explosion or electrical shock.

To avoid personal injury and damage to the environment:


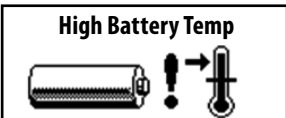
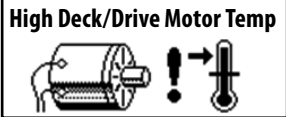
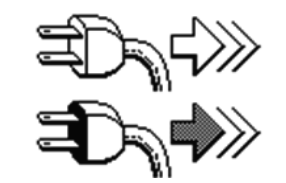

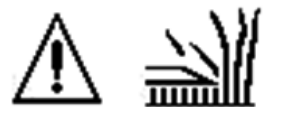
- Do not attempt to remove or destroy any of the battery components. Do not open or mutilate the battery. If a leak develops, released electrolytes are corrosive and toxic. Do not get the solution in your eyes or on your skin, and do not swallow it.
- Do not dispose of the battery in the regular household trash.
- Do not dispose of the battery in a fire. The cell may explode.
- Do not dispose of the battery where it will become part of any waste landfill or municipal solid waste stream.
- Contact your local authorized service dealer for proper battery recycling.

SERVICE AND MAINTENANCE

PROBLEM	CAUSE	REMEDY
Tractor stopped or will not start or error code is present	1. Electrical system fault	1. Shut off and restart tractor. If problem persists, contact an authorized service dealer.
Excessive Vibration	1. Blade loose or unbalanced 2. Cutting blade damaged, unbalanced or bent.	1. Tighten cutting blade and deck spindle. 2. Replace the blade.
Uneven Cut	1. Uneven tire pressure 2. Deck not properly leveled 3. Cutting blade dull or damaged	1. Check and correct tire pressure in all four tires. 2. Perform side-to-side and front-to-rear deck adjustment. 3. Sharpen or replace cutting blade.
Tractor will not mulch grass	1. Wet grass 2. Excessively high grass 3. Dull blade	1. Do not mulch when grass is wet. 2. Mow once at a high cutting height, then mow again at desired height or make a narrower cutting swath. 3. Sharpen or replace blade.
The blades do not rotate /blades stopped	1. Overload 2. Low battery	1. Allow deck motor(s) to cool/raise deck height. 2. Return home, plug into charger.
The blade(s) stopped when traveling in reverse	1. Blade(s) stopped	1. Restart blade(s) (PTO).
Reduced Speed	1. Low drive speed mode is on 2. Low battery 3. Overload	1. Press the low drive speed button to disengage low drive speed mode. 2. Charge battery as instructed in the battery charger manual. 3. Raise the deck.

SERVICE AND MAINTENANCE



















General LCD Screen Messages

MESSAGE	DESCRIPTION
	<p>Battery Temperature Low: Move the tractor to a warm location and allow the battery to warm. If problem persists contact qualified service personnel.</p>
<p>High Battery Temp</p>  <p>High Deck/Drive Motor Temp</p> 	<p>High Temperature: Power off, let the tractor cool and restart tractor. If problem persists contact qualified service personnel.</p>
	<p>Unplug Cord/ Close Charge Port Door: Prior to powering on and operating the tractor, cord must be unplugged and charge port door closed securely.</p>
	<p>Cruise Control ON: Cruise control is set when icon is displayed.</p>
	<p>Cut Deck Overload: The deck and drive shut off. Power off the tractor, clean under the deck as instructed in the Post-Operation Tractor Care section and restart the tractor. Raise the deck and/or cut at a slower pace. If problem persists contact qualified service personnel.</p>

SERVICE AND MAINTENANCE

Faults

Faults are displayed as four digit codes with the first number (after "E") relating to the affected subsystem. These faults may shut off the deck and drive or the entire tractor. If these occur, power off the tractor and allow it cool, then restart the tractor. If these faults persist, contact qualified service personnel.

CODE	DESCRIPTION
 E1__ 	All VCM Related Faults
 E2__ 	Left Deck Motor Faults/Single Deck Motor Faults
 E3__ 	Right Deck Motor Faults (If equipped)
 E4__ 	Center Deck Motor Faults (If equipped)
 E5__ 	Left Drive Motor Faults/Single Drive Motor Faults
 E6__ 	Right Drive Motor Faults
 E7__ 	Battery Faults
 E8__ 	Battery Faults
 E9__ 	Battery Faults

MANUAL DEL OPERADOR

Tractor de radio cero con baterías de ión de litio Dirección con barra de seguridad y controles de transmisión

Inglés (English) Página 2
EspañolPágina 31

Registro de Información del Producto

Antes de configurar y hacer funcionar su tractor nuevo, por favor localice la placa de modelo en el equipo y registre la información en el espacio de la derecha. Para encontrar la placa de modelo, eleve el asiento y mire en la parte inferior de la bandeja del asiento. Necesitará esta información si tiene que solicitar soporte técnico a través de nuestro sitio web, el Departamento de Atención al Cliente, o de un distribuidor local de servicio autorizado.

Número de modelo

3	4				A	2	C	S				
---	---	--	--	--	---	---	---	---	--	--	--	--

Número de serie

--	--	--	--	--	--	--	--	--	--	--	--	--

ADVERTENCIA

Lea y cumpla todas las reglas e instrucciones de seguridad de este manual antes de intentar operar esta máquina.

Si no sigue estas instrucciones, se pueden provocar lesiones personales - GUARDE ESTAS INSTRUCCIONES.

ADVERTENCIA

PROPOSICIÓN 65 DE CALIFORNIA

Cáncer y Daños Reproductivos – www.P65Warnings.ca.gov.

NOTA: Este Manual del Operador corresponde a varios modelos. Las características pueden variar según los modelos. No todas las características que se incluyen en este manual se aplican a todos los modelos y el modelo que se ilustra aquí puede diferir del suyo.

PRÁCTICAS DE OPERACIÓN SEGURAS

⚠ ADVERTENCIA



Este símbolo indica instrucciones de seguridad importantes que, de no seguirse, pueden poner en peligro su seguridad personal y/o material y la de otras personas. Lea y cumpla todas las instrucciones de este manual antes de intentar hacer funcionar este tractor. Si no sigue estas instrucciones, se pueden provocar lesiones personales. Cuando vea este símbolo,

¡PRESTE ATENCIÓN A LA ADVERTENCIA!

⚠ PELIGRO

Este tractor fue diseñado para ser utilizado respetando las prácticas de operación seguras que figuran en este manual. Al igual que con cualquier tipo de equipo motorizado, un descuido o error por parte del operador puede producir lesiones graves. Este tractor es capaz de amputar dedos, manos y pies y de arrojar residuos. De no respetar las instrucciones de seguridad siguientes, se pueden ocasionar lesiones graves o la muerte.

Sistema de la Batería de Ion de Litio

Cualquier tarea de servicio requiere sumo cuidado y conocimiento del sistema y debe ser realizado únicamente por un técnico de servicio calificado. Para reparar su tractor, diríjase a su distribuidor de servicio autorizado más cercano. Cuando realice el servicio, debe usar siempre piezas de reemplazo del fabricante del equipo original (OEM).

INFORMACIÓN GENERAL

1. Lea, entienda y cumpla todas las instrucciones incluidas en el tractor y en los manuales antes de intentar armar la unidad y utilizarla. Guarde este manual en un lugar seguro para consultas futuras y periódicas, así como para solicitar repuestos.
2. Familiarícese con todos los controles y su correcto funcionamiento. Sepa cómo detener el tractor y desactivar los controles rápidamente.
3. No permita nunca que los niños menores de 14 años utilicen este tractor. Los niños de 14 años en adelante deben leer y entender las instrucciones y las medidas de seguridad contenidas en este manual y sobre el tractor, y deben ser entrenados y supervisados por un adulto.
4. Nunca permita que los adultos operen este tractor sin recibir antes la instrucción apropiada.
5. Si se presentan situaciones que no están previstas en este manual, tenga cuidado y use el sentido común. Póngase en contacto con su representante de atención al cliente para obtener ayuda.
6. De conformidad con la Comisión de Seguridad de Productos para el Consumidor de los Estados Unidos (CPSC) y la Agencia de Protección Ambiental de los Estados Unidos (EPA), este producto tiene una vida útil estimada de siete (7) años, en condiciones normales de uso. Al final de su vida útil, se deberá solicitar una inspección del producto anualmente a fin de asegurarse de que todos los sistemas mecánicos y de seguridad funcionen adecuadamente, de manera segura y no estén excesivamente desgastados. Si no lo hace, puede ocasionar accidentes, lesiones o la muerte.
2. Para ayudar a evitar el contacto con las cuchillas o una lesión por algún objeto que sea arrojado, mantenga a personas, ayudantes, niños y mascotas alejados al menos 75 pies (23 metros) del tractor mientras está en funcionamiento. Mantenga a las personas, los niños y las mascotas en interiores durante el funcionamiento. Detenga el tractor si alguien entra en la zona.
3. Esté atento a la dirección de la descarga del tractor y no apunte a nadie.
4. Para protegerse los ojos, utilice siempre anteojos o antiparras de seguridad durante la operación o mientras realiza ajustes o reparaciones. Los objetos arrojados que rebotan pueden producir lesiones graves en los ojos.
5. Utilice zapatos de trabajo resistentes, de suela fuerte, y pantalones y camisas ajustados. Las ropas sueltas, las alhajas y el cabello largo pueden engancharse en las piezas móviles. Nunca haga funcionar este tractor si está descalzo o con sandalias.
6. No cargue ni haga funcionar el tractor bajo la lluvia o en condiciones húmedas.
7. Use solo aditamentos o accesorios aprobados para este tractor por el fabricante del tractor. Lea, comprenda y siga todas las instrucciones incluidas con el accesorio o acople aprobado.

FUNCIONAMIENTO

1. Los datos estadísticos muestran que los conductores mayores de 65 años se ven implicados en un alto porcentaje de lesiones relacionadas con tractores. Estos operadores deben evaluar su capacidad para operar el tractor en forma suficientemente segura para protegerse a ellos mismos y a los demás contra lesiones graves.
2. Aplique el freno de mano antes de intentar encender el tractor.

PREPARATIVOS ANTERIORES AL USO

1. Revise minuciosamente el área donde se va a usar el tractor. Saque todas las piedras, palos, cables, huesos, juguetes y otros objetos extraños con los que podría tropezar o que podrían ser arrojados por la cuchilla. Los objetos arrojados por la máquina pueden producir lesiones personales graves.

PRÁCTICAS DE OPERACIÓN SEGURAS

- Planifique el patrón de corte, para evitar que la descarga de materiales se dirija hacia caminos, aceras, observadores, etc. Evite además descargar material contra una pared u obstrucción, ya que esto podría hacer rebotar el material descargado contra el operador.
- En caso de falla en un sistema o pérdida completa de energía de la batería, el tractor podría deslizarse por la cuesta sin control. Presione el pedal de freno para mantener el control y detener el tractor. Vuelva a encender el motor. Si la falla del sistema persiste, póngase en contacto con su distribuidor de servicio autorizado.
- No ponga las manos ni los pies cerca de las piezas rotatorias ni debajo de la plataforma de corte. El contacto con la(s) cuchilla(s) puede amputar manos y pies.
- Esté atento a los hoyos, surcos, baches, rocas, u otros objetos ocultos. El terreno desnivelado puede hacer que vuelque el tractor. El césped alto puede ocultar obstáculos.
- Revise la holgura superior antes de conducir debajo de ramas bajas de árboles, cables, cerramientos de puertas, etc., donde el operador puede golpearse o ser tirado del tractor, lo que podría resultar en lesiones graves.
- Nunca deje un tractor en funcionamiento sin vigilancia. Siempre apague las cuchillas, aplique el freno de mano, presione el botón Encendido/Detención y retire la llave antes de bajar del tractor.
- Apague las cuchillas, coloque el freno de mano, presione el botón de Encendido/Detención y espere hasta que la(s) cuchilla(s) se detenga(n) por completo antes de retirar el colector de recortes de césped, vaciar los recortes, desbloquear la tolva, retirar cualquier residuo o desecho, o realizar cualquier ajuste.
- Su tractor fue diseñado para cortar césped residencial normal, con una altura no mayor de 10" (25.4 cm). No intente cortar césped demasiado crecido, seco (como un pastizal) ni pilas de hojas secas. El césped o las hojas que están secos pueden entrar en contacto con superficies calientes y/o acumularse en la plataforma del tractor presentando un potencial peligro de incendio.
- Apague las cuchillas antes de desplazarse marcha atrás. Retroceda lentamente. Siempre mire hacia abajo y hacia atrás antes y mientras retrocede para evitar accidentes en retroceso.
- Nunca lleve pasajeros.
- Manténgase a por lo menos 10 pies (3 metros) de barrancos, zanjas o terraplenes o del borde del agua. El tractor puede volcarse repentinamente si una de las ruedas pasa el borde de un acantilado o zanja o si se desmorona un borde.
- Si falta o está dañado un deflector del canal, una clavija para abono o colector de césped podría causar lesiones por contacto con la cuchilla u objetos arrojados.
- No opere el tractor si no está el deflector del canal, la clavija para abono o el colector de césped completo en su lugar correspondiente.
- Tenga mucho cuidado con los colectores de césped y otros accesorios. Pueden modificar la estabilidad del tractor. Siga siempre las instrucciones del fabricante del accesorio.
- Detenga la(s) cuchilla(s) cuando cruce caminos de gravilla, senderos o caminos y cuando no esté cortando el césped.
- Vigile el tránsito vehicular cuando esté operando cerca de caminos o en cruces. Este tractor no se ha diseñado para el uso en la vía pública.
- Úsela solamente con luz natural o con buena luz artificial.
- No haga funcionar el tractor si se encuentra bajo los efectos del alcohol o las drogas.
- Reduzca la velocidad antes de girar. Opere el tractor suavemente. Evite que funcione de manera errática y a excesiva velocidad.
- Los motores pueden calentarse y provocar quemaduras graves. No los toque. Deje que se enfríe el tractor durante cinco minutos antes de intentar cualquier tarea de mantenimiento.
- No apague el tractor y no se desplace cuesta abajo sin control. El exceso de velocidad podría hacer que el operador pierda el control del tractor ocasionando lesiones graves e incluso la muerte.

NIÑOS

- Se pueden producir accidentes trágicos si el operador no está alerta a la presencia de niños. Por lo general, los niños se sienten atraídos por el tractor y su actividad. Los niños no son conscientes de los peligros. Nunca asuma que los niños permanecerán donde los vio por última vez.
- Mantenga a los observadores, los niños y las mascotas en interiores mientras el tractor está funcionando bajo la atenta supervisión de un adulto responsable que no sea el operador. Detenga el tractor si alguien entra en la zona.
- Nunca transporte niños, ni siquiera con las cuchillas desactivadas. Podrían caerse y resultar gravemente heridos o interferir con la operación segura del tractor. Los niños que ya hubieran sido transportados en ocasiones anteriores podrían aparecer repentinamente en la zona de corte para otra vuelta y ser atropellados o también podrían ser arrollados al dar marcha atrás con el tractor.
- Esté alerta y apague el tractor si un niño o un observador ingresa al área.
- Para evitar accidentes al retroceder, siempre mire hacia atrás y hacia abajo para ver si hay niños.
- Tenga mucho cuidado al aproximarse a esquinas ciegas, puertas, arbustos, árboles u otros objetos que puedan obstaculizarle la vista de un niño que pudiese correr al encuentro del tractor.
- No permita nunca que los niños menores de 14 años utilicen este tractor. Los niños de 14 años en adelante deben leer y entender las instrucciones y las medidas de seguridad contenidas en este manual y sobre el tractor, y deben ser entrenados y supervisados por un adulto.

PRÁCTICAS DE OPERACIÓN SEGURAS

- No permita que se transporte a ningún niño por diversión en el tractor. El tractor no es un juguete ni un carro de paseo. Advértalos a sus hijos que el tractor puede ser peligroso y que deben mantenerse alejados de él en todo momento.
- Mantenga a los niños alejados del tractor si el motor está caliente o en funcionamiento. Pueden sufrir quemaduras con los motores calientes.
- Retire la llave cuando el tractor quede sin vigilancia para evitar el funcionamiento no autorizado. Asegúrese de que la llave quede fuera del alcance de niños pequeños.
Operación en pendientes
 - Las pendientes son un factor importante en los accidentes ocasionados por pérdida de control y vuelcos que pueden causar lesiones graves o la muerte. Todas las pendientes requieren precaución extra. Si no puede retroceder por la pendiente o si no se siente seguro, no realice ningún corte o no se desplace sobre ella.
 - Para su seguridad, mida las pendientes antes de usar el tractor en el lugar inclinado. Use un dispositivo de medición de pendientes además del indicador de pendiente que se incluye como parte de este manual para medir las pendientes antes de operar este tractor sobre una zona inclinada o con pendientes. Para medir las pendientes, también se pueden usar aplicaciones de teléfonos inteligentes. Si la pendiente es de más de 15 grados (25%) según figure en el indicador de pendiente o un dispositivo de medición de pendientes, no haga funcionar este tractor en ese sector pues podría causar lesiones graves.
 - No corte el césped en pendientes de más de 15° (25%).
 - No corte el césped subiendo o bajando pendientes, solo hágalo de forma transversal a las pendientes que son de menos de 15° (25%). Utilice las velocidades bajas y evite los giros bruscos.
 - No corte el césped húmedo. La reducción de la tracción puede causar derrapes o pérdidas del control.
 - No opere el tractor en ninguna condición en la que se comprometan la tracción, la dirección o la estabilidad. Los neumáticos podrían deslizarse incluso si las ruedas están detenidas.
 - Evite arrancar y parar en una pendiente. Evite hacer cambios repentinos de velocidad o dirección. Haga los giros de forma lenta y gradual.
 - Tenga mucho cuidado al operar este tractor con el colector de césped y otros accesorios. Pueden comprometer la estabilidad del tractor. No utilice el colector de césped en pendientes superiores a 10 grados (17%).
 - No intente estabilizar el tractor poniendo el pie en el suelo.
 - Haga que todos los movimientos en las pendientes sean lentos y graduales. No realice cambios bruscos de velocidad o dirección. La aceleración repentina podría hacer que el frente del tractor se levantara y volcara rápidamente hacia atrás, lo que podría producir lesiones graves o la muerte.
- No apague el tractor y no se desplace cuesta abajo sin control. El exceso de velocidad podría hacer que el operador pierda el control del tractor, y esto puede causar lesiones graves e incluso la muerte.

TRANSPORTE

- Utilice rampas de ancho total bien sujetas para cargar y descargar un tractor para el transporte.
- Tenga mucho cuidado al cargar o descargar el tractor en un remolque o camión. Este tractor no debe conducirse subiendo o bajando rampas, ya que el tractor podría volcar y provocar lesiones personales graves. El tractor se debe empujar a mano en rampas para cargarlo o descargarlo correctamente.
- Eleve la plataforma hasta la posición más alta para tener separación para la carga.
- No remolque este tractor pues podrían dañarse los motores.

REMOLQUE

- No remolque cargas que superen las 250 libras (113 kg) de peso de arrastre y nunca supere las 50 libras (22 kg) de peso sobre el punto de enganche.
- No acople equipo remolcado excepto en el punto de enganche del tractor.
- Nunca permita que los niños y otras personas se suban a equipos remolcados.
- No remolque en pendientes de más de 5 grados (9%). En las pendientes, el peso del equipo remolcado puede causar pérdida de tracción y pérdida de control, y/o de la capacidad para detenerse.
- Siempre tenga mucho cuidado al remolcar con un tractor capaz de hacer giros cerrados (por ejemplo, tractor de radio cero). Realice giros amplios para el acodillamiento.
- Desplácese lentamente y deje distancia adicional para detenerse.

SERVICIO

- Mantenga el tractor en buen estado de funcionamiento. No use el tractor hasta que se reemplacen las piezas desgastadas o dañadas.
- Las cuchillas del tractor son afiladas. Envuelva la cuchilla o utilice guantes y extreme las precauciones cuando les haga mantenimiento.
- Quite la llave y guarde el tractor bajo techo cuando no lo use. Deje que el tractor se enfríe por lo menos cinco minutos antes de cargarlo o guardarlo.
- Antes de limpiar, reparar o inspeccionar, compruebe que la(s) cuchilla(s) y todas las piezas móviles se hayan detenido. Apague el tractor y quite la llave.

PRÁCTICAS DE OPERACIÓN SEGURAS

5. Controle que las cuchillas se detengan completamente en no más de cinco (5) segundos después de desactivar el control de desactivación de las cuchillas según el intervalo que figura en el Cronograma de Mantenimiento. Mida el tiempo hasta la detención con un cronómetro. Si las cuchillas no se detienen completamente en menos de cinco segundos, su tractor debe ser reparado por un profesional en un distribuidor de servicio autorizado.
6. Controle el sistema de interbloqueo de seguridad, según el intervalo del Cronograma de Mantenimiento para un funcionamiento correcto, tal como se describe más adelante en este manual. Si el sistema de enclavamiento de seguridad no funciona correctamente, lleve su tractor a hacerle un servicio profesional por un distribuidor autorizado.
7. Nunca altere el sistema de interbloqueo de seguridad u otros dispositivos de seguridad. Compruebe regularmente que funcionen correctamente.
8. Controle el ajuste del perno de montaje de las cuchillas de acuerdo con el Cronograma de Mantenimiento que figura en este manual. Además, inspeccione visualmente las cuchillas para detectar la presencia de daños (por ejemplo: desgaste excesivo, abolladuras, rajaduras). Reemplace las cuchillas por cuchillas de los fabricantes del equipo original (O.E.M.) únicamente.
9. El uso de piezas que no cumplen con las especificaciones del equipo original puede resultar en rendimiento inadecuado y poner en peligro la seguridad.
10. Mantenga todos los pernos, tuercas y tornillos bien ajustados para asegurarse que la máquina se encuentra en condiciones seguras de operación. Revise la tabla del Programa de Mantenimiento que figura en este manual para obtener información sobre el intervalo de servicio.
11. Después de golpear un objeto extraño, detenga el tractor, presione el botón de Encendido/Detención y quite la llave. Revise el tractor cuidadosamente para detectar daños. Repare los daños antes de ponerlo en funcionamiento.
12. Para reducir la posibilidad de incendio, quite del motor cualquier acumulación de césped, hojas y otros desechos. Siga las instrucciones para el cuidado del tractor posterior al funcionamiento que figuran en la sección Servicio y Mantenimiento.
13. Controle el funcionamiento del freno con frecuencia, ya que está sujeto a desgaste durante el funcionamiento normal. Realice el ajustes y servicio que sean necesarios
14. Nunca intente realizar ajustes o reparaciones al tractor sin antes retirar la llave.
15. Mantenga o reemplace las etiquetas de seguridad e instrucciones según sea necesario.
4. Para reducir el riesgo de descarga eléctrica, evite el contacto del cuerpo con elementos conductores con puesta a tierra, por ejemplo, caños metálicos o cercos de alambre.
5. No utilice el tractor en atmósferas explosivas, por ejemplo, en presencia de líquidos, gases o polvo inflamables.
6. Para protegerse del riesgo de lesiones o descargas eléctricas, no reemplace fusibles que hayan saltado. Su tractor debe ser revisado por un profesional en un distribuidor autorizado.
7. Nunca empape o moje su motor con una manguera. Evite el ingreso de líquidos en el motor y las conexiones eléctricas. Limpie el tractor después de cada uso. Consulte Servicio y Mantenimiento. No utilice solventes o detergentes fuertes.

SEGURIDAD DEL CARGADOR DE BATERÍAS

ADVERTENCIA

Únicamente utilice un cargador de batería del OEM para cargar las baterías de este tractor. No intente cargar otras baterías con el cargador de baterías específico de este tractor. Otros tipos de baterías podrían explotar, causar incendios, lesiones personales o daños materiales.

1. Recargue las baterías únicamente con el cargador especificado por el fabricante. Un cargador que resulta adecuado para un solo tipo de batería podría causar riesgo de incendio si se lo usa con otra batería.
2. No utilice el cargador bajo la lluvia, en lugares húmedos o en presencia de líquidos o gases inflamables.
3. El cargador tiene una placa de identificación que indica el voltaje utilizado. Nunca conecte el cargador a un voltaje de CA que difiera de este voltaje.
4. No utilice un cable prolongador salvo que sea absolutamente necesario. El uso de un cable prolongador inadecuado puede generar riesgo de incendio, descarga eléctrica o electrocución.
5. No utilice cables prolongadores múltiples.
6. Asegúrese de que el cable prolongador sea suficientemente grueso como para transportar la corriente que toma el cargador. Si el cable prolongador es de calibre inferior al requerido se producirá una caída del voltaje de línea y esto dará lugar a pérdida de potencia y sobrecalentamiento. Si está en duda, utilice cable del calibre más grueso siguiente. A menor número de calibre, mayor grosor de cable.

TAMAÑO MÍNIMO DEL CABLE PARA CABLES PROLONGADORES DE ARTEFACTOS DE 120 VOLTIOS QUE USAN 0-6 AMPERIOS

Longitud del cable (pies)	25	50	100	150
Calibre (AWG)	16	16	16	14

7. Asegúrese de que los cables estén en buenas condiciones. Revise el cable de alimentación del cargador de la batería y el cable prolongador periódicamente. Observe detenidamente para ver si hay deterioro, cortes o grietas en el aislamiento. Si cualquiera de los cables se daña de algún modo cuando está enchufado, desconecte el cable del tomacorriente y del cargador. No utilice un cable dañado. Los cables dañados se deben reparar o cambiar.

SEGURIDAD ELÉCTRICA EN GENERAL

1. No exponga el tractor a la lluvia o a condiciones húmedas.
2. No realice ningún servicio al tractor ni manipule componentes eléctricos con las manos húmedas.
3. No utilice el tractor bajo la lluvia, en condiciones húmedas ni en superficies mojadas.

PRÁCTICAS DE OPERACIÓN SEGURAS

- No use los cables en forma inadecuada. Nunca arrastre ni lleve el cargador tirando del cable. Mantenga los cables lejos de fuentes de calor, aceite, agua, bordes filosos y objetos en movimiento. Para desconectar un cable, agarre siempre el enchufe.
- No modifique nunca un enchufe, un cable ni un tomacorriente de ninguna manera.
- En el(los) circuito(s) o tomacorriente(s) que se usarán con este cargador siempre se debe suministrar protección con un Interruptor de Circuito por Falla a Tierra (GFCI). Para proporcionar una medida adicional de seguridad, utilice tomacorrientes con protección GFCI incorporada.
- No coloque el cargador de baterías en lugares donde se puedan pisar los cables, tropezar con ellos o pudieran dañarse.
- Guarde el cargador de baterías y los cables en un área fresca y seca.
- Guarde el cargador de baterías y los cables lejos de cualquier líquido.
- No permita que se introduzcan objetos metálicos pequeños ni materiales, por ejemplo, lana de acero, lámina de aluminio ni otras partículas extrañas en el puerto del cargador.
- No pruebe el cargador con material conductor. Existe el riesgo de descarga eléctrica.
- No cubra el cargador de baterías. El cargador de baterías se puede sobrecalentar.
- No permita que la batería o el cargador de baterías se sobrecalienten. Si se calientan, deje que los mismos se enfríen. Cargue las baterías únicamente en temperaturas que se encuentren entre 32° y 104°F (0° y 40°C).

SEGURIDAD DE LAS BATERÍAS

- No exponga la batería al fuego o temperaturas superiores a 140° F (60° C). Ello podría provocar una explosión.
- Manipule la batería con cuidado. No cortocircuite la batería con materiales conductores, por ejemplo, anillos, pulseras, llaves, etc. Si se cortocircuita la batería, pueden resultar lesiones personales, daños a la batería o un incendio.
- No intente cargar una batería que esté fisurada o dañada.
- No utilice ni cargue una batería que esté húmeda o que muestre indicios de corrosión.
- No utilice una batería dañada o modificada. Ello podría provocar un incendio, explosión o lesiones personales.
- No arroje la batería al fuego. La celda puede explotar. Póngase en contacto con su distribuidor de servicio autorizado para el correcto reciclado de la batería.
- Tenga cuidado al manipular baterías de modo de no cortocircuitarlas con materiales conductores como anillos, pulseras y llaves. La batería o elementos conductor podrían estar calientes y provocar quemaduras.

⚠ ADVERTENCIA

La batería puede generar riesgo de incendio o quemadura química si se la usa incorrectamente. No desarme, sobrecaliente ni incinere la batería.

En condiciones de uso, carga o temperaturas extremas o si la batería está dañada, abollada o pinchada, podrían producirse fugas de la batería. Estas fugas indican que la batería está fallada y debe ser desechada correctamente por un distribuidor de servicio autorizado.

Si la fuga de la batería entra en contacto con su piel o sus ojos siga los siguientes pasos:

- Lave la piel inmediatamente y enjuague los ojos con agua fría al menos por 20 minutos y busque atención médica de inmediato.
- El contenido de los elementos de las baterías abiertas podría causar irritación respiratoria. Proporcione aire fresco. Si el síntoma persiste, busque atención médica.
- Ventile la sala y vacíe el área si hay presencia de humo y de gases. La presencia de gas y de humo en un área cerrada presentará un riesgo de salud potencial.
- Si la fuga entra en contacto con su vestimenta o calzado, quítese los mismos, aísle y lave la vestimenta contaminada a fondo.

INDICADOR DE PENDIENTE (CUBIERTA POSTERIOR)

⚠ ADVERTENCIA

Las pendientes son un factor importante relacionado con accidentes por tumbos y vuelcos que pueden producir lesiones graves o la muerte. Todas las pendientes requieren precaución extra. Si no se siente seguro en una pendiente, no corte el césped. No corte el césped en pendientes de más de 15° (25%). Siempre corte el césped de forma transversal a la pendiente, nunca hacia arriba y hacia abajo.




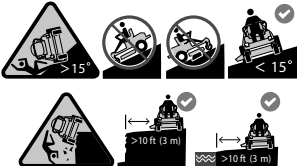


PARA DETERMINAR SI UNA PENDIENTE ES DEMASIADO EMPINADA Y EVITAR RIESGOS, USE EL INDICADOR DE PENDIENTE QUE APARECE EN LA CUBIERTA POSTERIOR COMO SE MUESTRA.

Para comprobar la pendiente, proceda de la siguiente manera:







- Abra el manual en la página y dóblela por la línea de puntos.
- Ubique un objeto vertical que esté sobre la pendiente o detrás de la misma (por ejemplo, un poste, un edificio, un cerco, un árbol, etc.)
- Alinee cualquiera de los lados del indicador de pendiente con el objeto.
- Ajuste el indicador hacia arriba o abajo hasta que la esquina izquierda toque la pendiente.
- Si hay una separación por debajo del indicador, significa que la pendiente es demasiado empinada para una operación segura.

SÍMBOLOS DE SEGURIDAD

Esta página En esta página, se presentan y describen los símbolos de seguridad que PUEDEN aparecer en esta cortadora de césped. Lea, comprenda y siga todas las instrucciones que aparecen sobre la cortadora de césped antes de intentar armarla y hacerla funcionar.

Símbolo	Descripción
 <p data-bbox="234 454 404 479">OPESymbol.com</p>	<p data-bbox="551 264 911 289">ADVERTENCIA: LEA LOS MANUALES DEL OPERADOR</p> <p data-bbox="551 294 993 545">Lea, comprenda y siga todas las normas y las instrucciones de seguridad que se incluyen en el manual y sobre el tractor antes de intentar utilizarlo. Si no cumple con lo que indica esta información, se pueden provocar lesiones personales o la muerte. Conserve este manual en un lugar seguro para usarlo como referencia futura habitual. Con un teléfono inteligente, escanee el símbolo del código de QR para obtener más información sobre las advertencias incluidas en este tractor. También puede visitar www.OPESymbol.com para obtener más información.</p>
	<p data-bbox="551 569 922 594">PELIGRO: EVITE LESIONES POR OBJETOS ARROJADOS</p> <p data-bbox="551 599 971 801">Indique a los asistentes que permanezcan al menos a 75' (23 metros) del tractor mientras está en funcionamiento. Saque todas las piedras, palos, cables, huesos, juguetes y demás objetos extraños que puedan ser recogidos y arrojados por la(s) cuchilla(s). Nunca opere el tractor si no está bien colocada la cubierta de descarga o si no está instalado el colector de césped completo en el lugar que corresponde.</p>
	<p data-bbox="551 834 966 883">ADVERTENCIA: EVITE LESIONES EN NIÑOS AL RETROCEDER/ POR ATROPELLO/POR CONTACTO CON LAS CUCHILLAS</p> <p data-bbox="551 888 993 1065">Para evitar accidentes al retroceder, siempre mire hacia atrás y hacia abajo por si hay niños. Nunca transporte niños, ni siquiera con las cuchillas desactivadas. Mantenga a los observadores, los niños y las mascotas en interiores durante la operación bajo la atenta supervisión de un adulto responsable que no sea el operador. Detenga el tractor si alguien entra en la zona.</p>
	<p data-bbox="551 1098 873 1123">ADVERTENCIA: EVITE LESIONES POR VUELCOS</p> <p data-bbox="551 1128 993 1296">No utilice esta máquina en una pendiente mayor de 15° (25%). No corte el césped subiendo o bajando pendientes, solo hágalo de forma transversal a las pendientes que son de menos de 15° (25%). Utilice las velocidades bajas y evite los giros bruscos en las pendientes. Manténgase a por lo menos 10 pies (3 metros) de barrancos, zanjas o terraplenes o del borde del agua.</p>
	<p data-bbox="551 1329 819 1354">ADVERTENCIA: DESCARGA ELÉCTRICA</p> <p data-bbox="551 1359 988 1428">No cargue el tractor bajo la lluvia o en lugares húmedos. No haga funcionar el tractor bajo la lluvia. Nunca empape o moje su motor con una manguera.</p>
	<p data-bbox="551 1453 895 1478">ADVERTENCIA: EVITE LESIONES DE AMPUTACIÓN</p> <p data-bbox="551 1483 982 1552">No ponga las manos ni los pies cerca o debajo de la plataforma de corte. El contacto con la(s) cuchilla(s) puede amputar manos y pies.</p>

SÍMBOLOS DE SEGURIDAD

Símbolo	Descripción
	<p>PELIGRO: EVITE LESIONES DE AMPUTACIÓN No coloque las manos ni los pies cerca de piezas que giran ni debajo de la plataforma de corte. El contacto con la(s) cuchilla(s) puede amputar manos y pies. Compruebe que todos los dispositivos de seguridad (protecciones, escudos, interruptores, etc.) estén en su lugar y funcionando. El contacto con las correas y/o el husillo de las cuchillas puede aplastar o lesionar partes del cuerpo.</p>
	<p>ADVERTENCIA: EVITE LAS LESIONES POR PUNTOS DE APLASTAMIENTO/COMPRESIÓN: Lea, entienda y cumpla todas las reglas e instrucciones de seguridad que se incluyen en el manual y en el tractor antes de intentar realizar el mantenimiento de este tractor. Para los modelos de elevación con el pie únicamente, el sistema de elevación de la plataforma se acciona por resorte y bajo tensión. Utilice siempre la herramienta para usos múltiples provista para fijar el sistema de elevación en la posición de bloqueo antes de intentar extraer la plataforma de la cortadora de césped.</p>
	<p>ADVERTENCIA: QUITE LA LLAVE Apague siempre las cuchillas, mueva las palancas de control de la transmisión hacia afuera a la posición de freno de mano, pare el motor y saque la llave antes de bajarse. Si va a dejar el tractor sin supervisión, saque siempre la llave para evitar que niños u otras personas utilicen el tractor sin autorización.</p>
	<p>ADVERTENCIA: CARGA DEL TRACTOR Lea, entienda y cumpla todas las reglas e instrucciones de seguridad que se incluyen en el manual y en el tractor antes de intentar realizar el mantenimiento de este tractor. NO cargue el tractor en medio de la lluvia o en ubicaciones húmedas. No haga funcionar el tractor bajo la lluvia.</p>
	<p>ADVERTENCIA: GUARDE EL TRACTOR BAJO TECHO Siempre cuando el tractor bajo techo cuando no esté en uso.</p>
	<p>PELIGRO: NO REALICE EL SERVICIO Muchos componentes de este tractor deben ser reparados únicamente por un distribuidor de servicio autorizado. Antes de intentar realizar un servicio a este tractor, lea el Manual del Operador.</p>

⚠ ADVERTENCIA

Su Responsabilidad: Sólo permita que usen esta máquina eléctrica las personas que lean, comprendan y respeten las advertencias e instrucciones que aparecen en este manual y en la máquina - ¡GUARDE ESTAS INSTRUCCIONES!

MONTAJE

NOTA: Las referencias a los lados derecho e izquierdo del tractor se hacen observando la máquina desde la posición de operación.

NOTA: algunos componentes pueden venir previamente ensamblados. Si ya están ensamblados, continúe con el siguiente paso.

Movimiento Manual del Tractor

⚠ PRECAUCIÓN

Nunca remolque su tractor. Si se remolca el tractor con las ruedas traseras apoyadas en el suelo se pueden causar daños graves a los motores de impulsión.

El tractor puede ser movido siempre que el freno de mano no esté activado. Se puede empujar el tractor lentamente.

Instale el enganche (si fuera necesario)

1. Para sacar la cubierta de la correa saque los dos tornillos de arandela hexagonal (a) y el tornillo de seguridad hexagonal (b) que la sujetan al bastidor (Figura 1).

NOTA: El enganche y los tornillos de arandela hexagonal estarán en el paquete de elementos de ferretería.

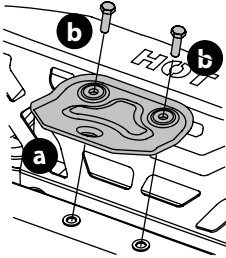


Figura 1

Reubique el aro superior (si fuera necesario)

El aro superior se puede ubicar hacia abajo para fines de envío:

1. Extraiga los dos tornillos de arandela hexagonal (a) que están instalados parcialmente en el bastidor (Figura 2).
2. Gire el aro superior (b) hasta que quede en su posición (Figura 2).
3. Sujete el aro en su lugar con los tornillos de arandela hexagonal que extrajo en el paso 1. Ajuste los tornillos de arandela hexagonal hasta 179-219 pulgadas-libras (20-25 N-m).

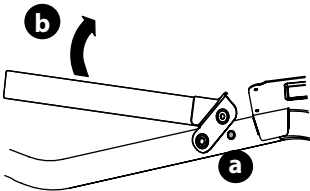


Figura 2

Instale el asiento del operador

AJUSTE DE PERILLA O AJUSTE DE PALANCA

1. Corte cualquier tira que sujete el conjunto del asiento al tractor. Extraiga todo el material de embalaje.

NOTA: Tenga cuidado de no cortar el arnés de cables del asiento.

2. Instale el asiento en la bandeja del asiento (a) usando los herrajes proporcionados.

- Para un asiento de ajuste mediante perillas: Inserte los pernos (b) en los orificios traseros y trabe la arandela (c) y las perillas (d) en el frente. Apriete bien (Figura 3).
- Para un asiento palanca de ajuste del asiento: use las contratruercas (a) and flat washers (b) (Figura 4).

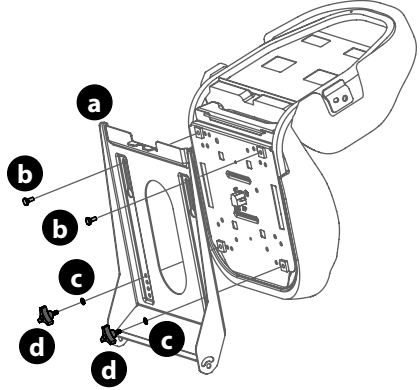


Figura 3

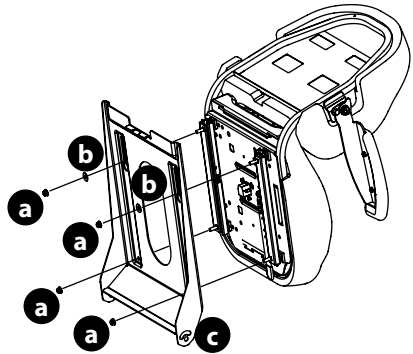


Figura 4

- Si es necesario, conecte el mazo de cables del interruptor del asiento (a) al interruptor del asiento (b), como se muestra en la (Figura 5). Sujete el cable sobrante alejado de los puntos de apriete antes de continuar.

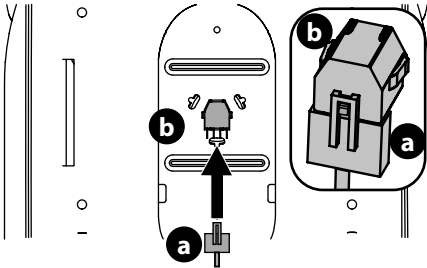


Figura 5

Nota: El tractor no funcionará sin estar conectado el arnés de cables del interruptor del asiento.

Ubique en posición las palancas de control de la transmisión de la barra de seguridad ("lapbar")

Estas palancas se pueden ajustar hacia arriba/abajo y adelante/atrás para comodidad del operador. Están disponibles tres posiciones de altura y/o las palancas se pueden girar hacia adelante o atrás usando la perilla.

PARA AJUSTAR LA ALTURA DE LA PALANCA DE CONTROL DE LA TRANSMISIÓN:

- Extraiga los dos tornillos de carro (a) y las dos tuercas de seguridad con reborde (b) que sujetan la palanca de control de la transmisión (c) hasta el regulador de la manija superior (d) (Figura 6).

NOTA: Para hacer este ajuste, se puede usar la herramienta para usos múltiples (si se incluye).

- Mueva la palanca de control de la transmisión hasta una de las tres alturas disponibles y sujétela en su lugar con los tornillos del carro y las tuercas de seguridad con reborde (Figura 6).

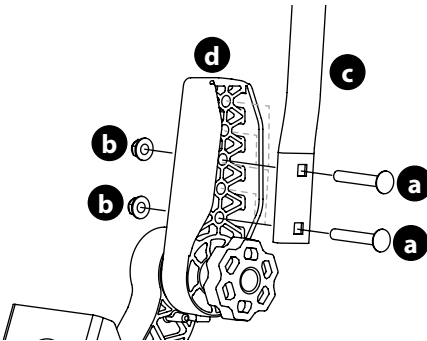


Figura 6

PARA AJUSTAR LA ALTURA DE LA PALANCA DE CONTROL DE LA TRANSMISIÓN HACIA ADELANTE/ATRÁS:

- Gire la perilla (a) en el sentido contrario a las agujas del reloj para aflojar la (Figura 7).
- Eleve y gire la palanca de control de la transmisión hasta la posición deseada.
- Gire la perilla en el sentido de las agujas del reloj para asegurar la palanca de control de la transmisión en su posición (Figura 7).

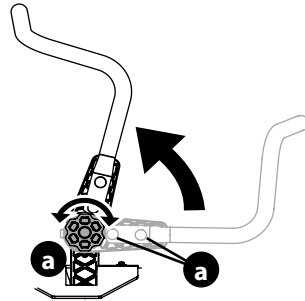


Figura 7

- Si las barras de seguridad no se alinean después de realizar el ajuste de las perillas, afloje las tuercas (b), alinee las barras de seguridad y vuelva a ajustar las tuercas. Una vez realizado este ajuste fino, las barras de seguridad se alinearán cuando se utilice el ajuste de la perilla (Figura 7).

Baje el deflector del canal de la plataforma

⚠ ADVERTENCIA

Nunca opere la plataforma sin el deflector del canal instalado y en posición baja.

SUJECIÓN DEL DEFLECTOR DEL CANAL DE DESCARGA (SI ES NECESARIO)

- Si es necesario, retire la chaveta que está sujeta con una unión con cierre al soporte del canal.
- Alinee los dos orificios de montaje del deflector del canal (a) con los orificios de montaje de la plataforma (b).
- Con dos pernos de carro (c) y dos tuercas de brida (d), fije el deflector de la tolva a la plataforma (Figura 8). Ajuste a 170-200 in-lb (18,5-23 N-m) (Figura 8). Continúe con "Ajuste de las ruedas de la plataforma".

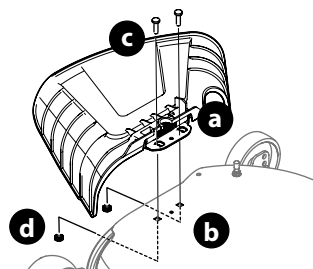


Figura 8

MONTAJE

EXTRACCIÓN DEL SOPORTE DE TOPE (SI ES NECESARIO)

- Si el canal se envía adjunto y con un soporte de tope que lo sostiene en posición vertical, se deben quitar los soportes de tope antes de utilizar el tractor.
- Sujete el deflector del canal completamente hacia arriba, extraiga el soporte de tope. Baje el deflector del canal y deseche el soporte de tope (Figura 9).

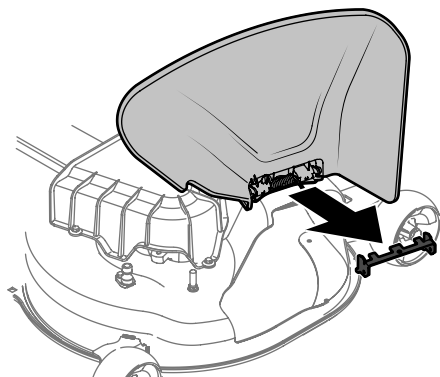


Figura 9

Instalación de las ruedas de la plataforma (si se incluyen)

NOTA: Las ruedas de la plataforma constituyen un mecanismo para el cuidado del césped y no fueron diseñadas para soportar el peso de la plataforma de corte.

- Mueva el tractor a una superficie nivelada, preferentemente pavimentada.
- Controle la presión de los neumáticos, ajuste si es necesario. Consulte la pared lateral de los neumáticos para averiguar las presiones de inflado adecuadas.
- Asegúrese de que la plataforma esté nivelada de un lado a otro, y adecuadamente inclinada. Consulte información e instrucciones sobre nivelado de la cubierta en la sección Servicio y Mantenimiento.
- Coloque la palanca de elevación de la plataforma en la posición deseada de altura de corte.
- Controle si las ruedas están en contacto con la superficie de abajo o si hay una separación excesiva.

NOTA: las ruedas de la plataforma deben tener entre $\frac{1}{4}$ " (6,35 mm) y $\frac{1}{2}$ " (12,7 mm) de separación del suelo.

- Extraiga la tuerca de seguridad (a), la rueda de calibración (b) y el tornillo con reborde (c) de la plataforma (Figura 10).
- Inserte el tornillo con reborde en uno de los cuatro orificios de posicionamiento del soporte de la rueda de la plataforma. Deje un espacio de $\frac{1}{4}$ a $\frac{1}{2}$ " (de 6,35 a 12,7 mm) entre el suelo y la rueda de calibración.
- Observe el orificio de posicionamiento de la rueda que se acaba de ajustar anteriormente. Repita el ajuste en el lado contrario para alinear ambas ruedas de calibración.

NOTA: consulte la sección Ajuste de la plataforma en este manual para encontrar más información.

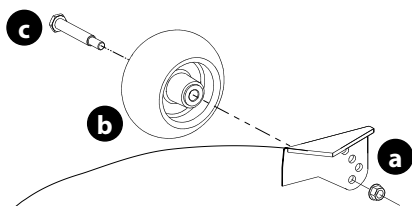


Figura 10

Control de la presión de los neumáticos

Consulte los laterales de los neumáticos para averiguar la presión de inflado adecuada. La presión de inflado adecuada debe mantenerse en todo momento.

Carga de la batería

⚠ ADVERTENCIA

Proposición 65 de California: Cáncer y daños reproductivos – www.P65Warnings.ca.gov.

La batería contiene fluido corrosivo y material tóxico; **TENGA MUCHO CUIDADO.** Mantener fuera del alcance de los niños. No perforo, desensamble, mutilo o prenda fuego. Durante la carga o descarga se podrían emitir gases explosivos. Cárguela en un área bien ventilada, lejos de fuentes de combustión.

Recárguela únicamente con el cargador que se incluye con este tractor. Un cargador no apto para este tractor podría dañar las baterías o provocar riesgo de incendio.

No cargue ni haga funcionar el tractor bajo la lluvia o en condiciones húmedas.

Consulte más información e instrucciones sobre cómo cargar la batería en el manual que se incluye con su cargador de batería. El puerto de carga del tractor se ubica en el lado izquierdo del tablero.

Para cargar la batería:

- Levante la tapa del puerto de carga (a) (Figura 11).
- Inserte el cable de carga (b) en el puerto de carga (c) (Figura 11).
- Enchufe el cable de alimentación del cargador en el tomacorriente de pared.

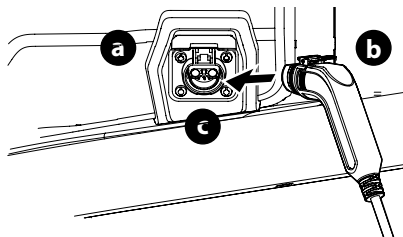


Figura 11

MONTAJE

NOTA: Lleva aproximadamente 4 horas cargar por completo la batería.

NOTA: El icono de batería del Módulo de Control del Vehículo (VCM) parpadeará ininterrumpidamente cuando la batería se esté cargando y la pantalla de LCD mostrará el porcentaje de carga. La batería estará completamente cargada cuando todas las luces verdes estén iluminadas y la pantalla LCD muestre 100 %.

NOTA: Cuando el cable de carga se enchufa en el tractor y todavía no está enchufado en la pared, las luces LED estarán continuamente iluminadas hasta que el cable se enchufe en la pared.

Si en algún momento su cargador indica una falla mientras está cargando su batería, siga estos procedimientos:

1. Interrumpa la alimentación del tractor.
2. Desenchufe el cable de carga del tractor.
3. Desconecte el cable del cargador de la fuente de alimentación.
4. Vuelva a conectar el cable del cargador a la fuente de alimentación.
5. Vuelva a enchufar el cable de carga en el tractor.
6. Si la falla persiste, contáctese con personal de servicio calificado.

NOTA: Las baterías recargables se degradan con el tiempo y el uso. Es posible que en algún momento deba reemplazar la batería. Para reemplazar la batería, contáctese con su distribuidor de servicio autorizado.

NOTA: El uso de una batería vieja o defectuosa podría producir una falla del sistema, y esto puede resultar en una pérdida de alimentación.

CONSEJOS PARA LA CARGA DE LA BATERÍA

- La batería se debe cargar completamente antes del primer uso.
- La batería se debe cargar completamente después de cada uso. Guardar la batería descargada podría reducir el rendimiento.
- La batería se apagará automáticamente después de una carga completa.
- Lleva aproximadamente 4 horas cargar por completo la batería. Dejar la batería conectada al cargador por más de 4 horas no daña la batería.
- La batería no desarrolla memoria y no es necesario que esté totalmente descargada antes de recargarla.
- Siempre desconecte primero el cargador de la batería (o el cable de extensión, si se usa) del tomacorriente eléctrico, luego desconecte el cable de carga cargador desde el puerto de carga.
- Nunca cargue una batería congelada.
- Se recomienda cargar el tractor una vez cada al mes durante su almacenamiento fuera de temporada.

Ajuste del Asiento

⚠ ADVERTENCIA

Antes de hacer funcionar el tractor, compruebe que el asiento esté enganchado en el tope del asiento. Aplique el freno de mano. Párese detrás del tractor y tire del asiento hacia atrás hasta que encaje en su lugar haciendo clic.

AJUSTE MEDIANTE PERILLA

10. Extraiga las perillas (a).
11. Deslice el asiento hacia arriba o abajo hasta la posición deseada.
12. Vuelva a colocar las perillas en uno de los cuatro ajustes de los orificios y ajústelas bien (Figura 12).

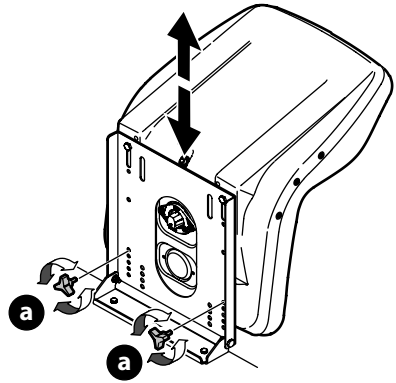


Figura 12

PALANCA DE AJUSTE

13. Para ajustar la posición del asiento, empuje la palanca de ajuste del asiento hacia la izquierda y manténgala en esa posición.
14. Deslice el asiento hacia adelante o atrás hasta la posición deseada.
15. Suelte la palanca de ajuste. Asegúrese de que el asiento esté fijo en su posición antes de utilizar el tractor (Figura 13).

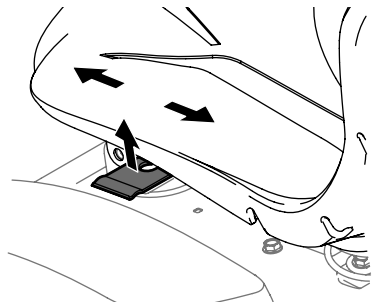


Figura 13

FUNCIONAMIENTO

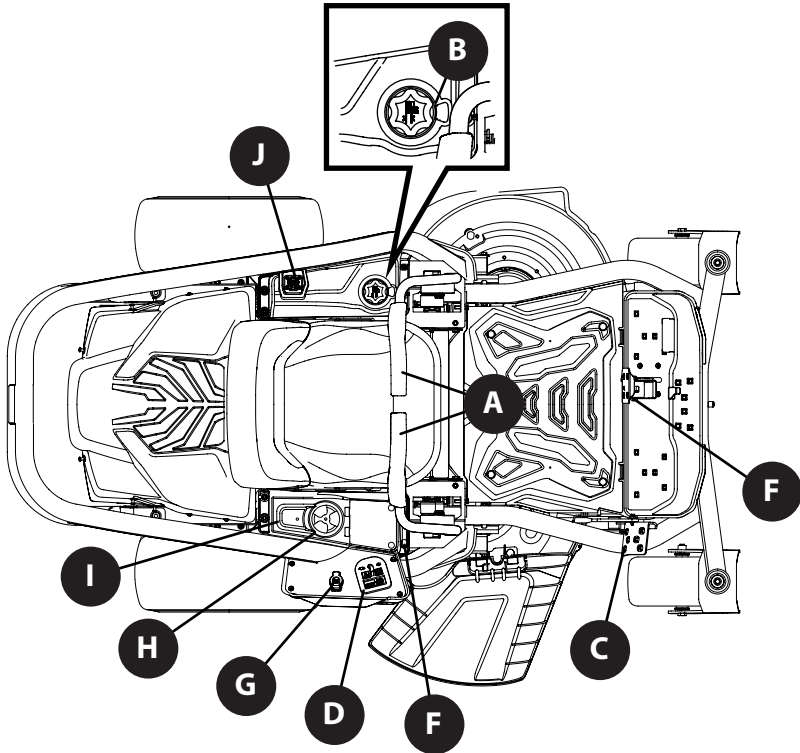


Figura 14

A. PALANCAS DE CONTROL DE LA TRANSMISIÓN

Las palancas de control de la transmisión del lado derecho (RH) y lado izquierdo (LH) se encuentran a cada lado del asiento del operador. Las palancas con bisagras se articulan hacia afuera para permitirle al operador sentarse en el asiento o bajarse. Para arrancar el tractor, las palancas de control de la transmisión deben estar completamente hacia afuera y en la posición de estacionamiento.

Cada palanca de control de la transmisión controla el motor respectivo. En consecuencia, estas palancas controlan todos los movimientos del tractor. La conducción del tractor y la realización de maniobras con estas palancas de control difieren mucho de las funciones respectivas de los tractores convencionales, y es necesario practicar para poder dominar las mismas. Consulte la sección Funcionamiento de Práctica para obtener más instrucciones.

B. PERILLA DE POSICIONAMIENTO DE LA ALTURA DE LA PLATAFORMA

Cada rotación representa un cambio de 1/4 in (6,35 mm) en la altura de la plataforma. Las posiciones varían de 1" (2,5 cm) a 4-1/2" (11,4 cm) en el punto más alto.

C. PEDAL DE ELEVACIÓN DE LA PLATAFORMA (SI ESTÁ EQUIPADA)

El pedal de elevación de la plataforma está ubicado en el vértice delantero derecho de la plataforma. El pedal se usa junto con la perilla de elevación de la plataforma (si está equipada) para subir y bajar la plataforma de corte. Oprima hacia adelante el pedal de elevación de la plataforma, gire la perilla de elevación de la plataforma hasta la altura deseada y suelte el pedal de elevación de la plataforma.

FUNCIONAMIENTO

D. MÓDULO DE CONTROL DEL VEHÍCULO (VCM)

⚠ ADVERTENCIA

Nunca deje un tractor en funcionamiento sin vigilancia. Siempre desconecte la toma de fuerza (PTO), ponga el freno de mano, pare el motor y retire la llave, para evitar que el motor arranque accidentalmente.

El módulo de control del vehículo (VCM) está del lado derecho del tablero.

El VCM (Figura 15) es el lugar donde están ubicados diversos botones de control para su tractor. El VCM incluye el botón ENCENDIDO/DETENCIÓN, el botón PTO (ENCENDIDO/APAGADO de cuchillas), el botón Modo Eco, el botón Faro Delantero, el botón Control de Velocidad Baja, la Pantalla LCD y el Indicador de Nivel de Batería.

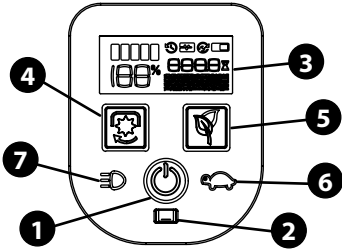



Figura 15

⚠ ADVERTENCIA

Antes de operar el tractor, consulte los Interruptores de interbloqueo de seguridad y Arranque del tractor en la sección Operación de este manual para obtener instrucciones detalladas sobre el VCM y el funcionamiento del tractor.

- 1. Botón de encendido/apagado:** Ubicado en el VCM, el botón de encendido/detención se usa para encender y detener el tractor. Mientras está activo, el anillo indicador del botón de encendido/apagado se ilumina en color azul. 
- 2. Interruptor de llave:** El interruptor de llave se encuentra en la parte inferior del VCM y enciende el VCM cuando la llave está totalmente insertada. El tractor únicamente se encenderá si la llave está totalmente insertada y el botón ENCENDIDO/APAGADO está presionado. Al quitar la llave, el tractor se apaga (Figura 16).

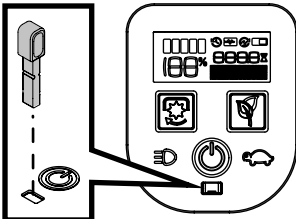



Figura 16


3. Pantalla LCD e indicador de nivel de batería:

Ubicados en el VCM la pantalla LCD y el indicador de nivel de la batería se usan para enviar instrucciones, advertencias e información sobre los sistemas de su tractor y el nivel de batería de su tractor.


4. Botón PTO (encendido/apagado de cuchillas) -

Ubicado en el VCM, el botón PTO usa para hacer funcionar las cuchillas. Para activar la plataforma de corte (cuchillas ON), presione el botón PTO por un segundo. Si la luz indicadora amarilla alrededor del botón PTO está activada, presione el botón PTO para desactivar las cuchillas (cuchillas desactivadas) de la plataforma. La luz indicadora amarilla alrededor del botón PTO está apagada. 

5. Botón de modo Eco: El modo Eco reduce levemente

la velocidad de la cuchilla según el tiempo de batería restante para el funcionamiento del tractor en áreas de baja carga de césped. 

6. Botón de velocidad baja: Pulse el botón de velocidad

baja para limitar la velocidad de desplazamiento al ~50% s sobre el desplazamiento total de las barras de seguridad. Este modo se utiliza típicamente cuando se carga o se descarga este accesorio en un remolque o se recorren espacios reducidos. 

7. Botón de faros delanteros: Ubicado en el VCM, el botón de faros delanteros se utiliza para encender o apagar los faros delanteros.

E. HERRAMIENTA PARA USOS MÚLTIPLES (SI ESTÁ EQUIPADA)

La herramienta para usos múltiples (a) está ubicada en el frente de la consola derecha (Figura 17). La herramienta para usos múltiples (a) se puede usar como bloqueo de elevación de la plataforma, para extraer el perno de la bandeja, ajustar la altura de las palancas de control de la transmisión de barras de seguridad, ajustar la detención de las palancas de control de la transmisión y se puede usar como herramienta de extracción con la llave de cubo de 1/2". Consulte más información sobre la herramienta para usos múltiples (a) en la sección Servicio y Mantenimiento.

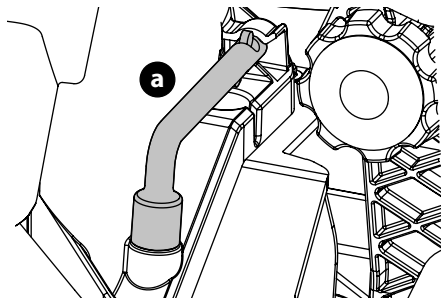


Figura 17

FUNCIONAMIENTO

F. PEDAL DE FRENO

El pedal de freno está ubicado en el centro del tractor, frente a la bandeja del piso. El pedal de freno se puede usar para detener el tractor o para colocar el freno de mano.

Accionamiento del freno de mano.

Presione a fondo el pedal de freno (a) y hacia la derecha (Figura 18).

Gire el pedal de freno (b) para permitir que el freno de mano se accione (c).

Asegúrese de que el pedal de freno esté conectado completamente con el sujetador del freno de estacionamiento.

Para liberar el freno de mano, presione el pedal de freno hacia adelante y gire el pedal de nuevo.

NOTA: el pedal de freno debe estar totalmente presionado para encender el motor. Consulte más información en Interruptores de Interbloqueo de Seguridad.

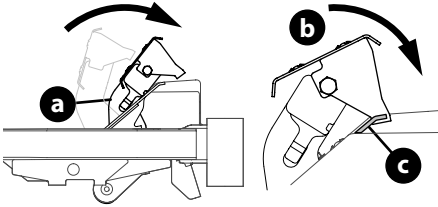


Figura 18

G. PUERTOS DE CARGA USB (SI SE INCLUYEN)

Si se incluyen, a la derecha del asiento del operador, hay un par de fuentes de conexión USB. Los dos puertos USB tienen 2.1A. Los puertos se pueden usar para cargar su teléfono u otros dispositivos USB.



H. PORTAVASOS

El portavasos está ubicado a la izquierda del asiento del operador.

I. BANDEJA DE ALMACENAMIENTO

La bandeja de almacenamiento está ubicada a la derecha del asiento del operador.

J. PUERTO DE CARGA

El puerto de carga está ubicado a la izquierda del asiento del operador. Para acceder al puerto de carga, levante la tapa del puerto de carga.

K. PALANCA DE AJUSTE DEL ASIENTO (NO SE MUESTRA/SI ESTÁ EQUIPADO)

La palanca de ajuste del asiento está ubicada debajo del asiento. La palanca de ajuste del asiento permite el ajuste del asiento del operador hacia adelante o hacia atrás. Consulte la sección Montaje y Configuración para ver instrucciones sobre el ajuste de la posición del asiento.

Nota: si su tractor no cuenta con una palanca de ajuste del asiento, se puede ajustar usando las perillas de la parte inferior del asiento. Consulte la sección Montaje y Configuración para ver instrucciones sobre el ajuste del asiento.

Funcionamiento

Sistema de Enclavamiento de Seguridad

⚠ ADVERTENCIA

No opere el tractor si el sistema de enclavamiento de seguridad funciona mal. Este sistema fue diseñado para brindarle seguridad y protección.

Este tractor está equipado con un sistema de enclavamiento de seguridad para protección del operador. Si el sistema de enclavamiento funciona mal, no se debe hacer funcionar el tractor. Comuníquese con un distribuidor de servicio autorizado.

- El dispositivo de bloqueo de seguridad evita que el operador ENCIENDA el tractor, a menos que el operador esté en el asiento con las palancas de control de la transmisión completamente hacia afuera y en la posición de estacionamiento.
- El tractor no se pondrá en funcionamiento si el cable del cargador está enchufado en el puerto de carga y/o si la tapa del puerto de carga está abierta o quitada.
- Si el operador abandona el asiento, el tractor desconectará automáticamente las cuchillas y los motores de impulsión.

CONTROL DE LOS CIRCUITOS DEL ENCLAVAMIENTO DE SEGURIDAD

- Con el tractor en funcionamiento, mueva las dos palancas de control de la transmisión totalmente hacia adentro, hasta la posición de punto muerto. Levante hacia arriba desde el asiento del operador; el tractor debería detenerse.
- Con las dos palancas de control de la transmisión totalmente hacia afuera y el freno de mano accionado, pulse el botón de la PTO para conectar las cuchillas. Levante hacia arriba desde el asiento del operador; el tractor debería detenerse.

⚠ ADVERTENCIA

Cuando esté encendiendo el motor no tenga ningún dispositivo enchufado en el puerto de carga USB. Ello podría dañar su dispositivo.

FUNCIONAMIENTO

Encendido del tractor

1. Desenchufe el cable de carga (si fuera necesario) (Figura 19). Si el cable sigue enchufado, aparecerá un recordatorio en la pantalla del VCM cuando se encienda el interruptor de llave.

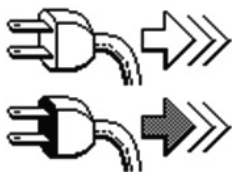


Figura 19

2. Siéntese en el asiento del operador. Inserte la llave de encendido en el interruptor de llave.
3. Ajuste las palancas de control de la transmisión completamente hacia afuera (Figura 20).

Palancas de control colocadas Hacia afuera

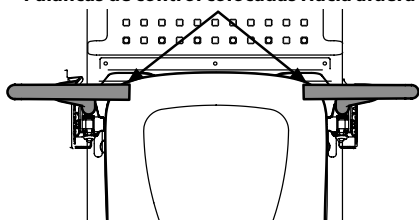


Figura 20

4. Empuje el pedal de freno hacia adentro.
5. Presione el botón de encendido/detención hasta que escuche dos bips.

NOTA: el VCM y los motores de impulsión ya están activados y el tractor está listo para empezar a funcionar.

6. Desenganche el freno de mano cuando esté listo para mover el tractor.

Detención del Tractor

⚠ ADVERTENCIA

Si golpea un objeto extraño, detenga el motor y saque la llave. Revise el tractor cuidadosamente para detectar daños. Repare el daño antes de volver a arrancar y hacer funcionar el tractor.

1. Mueva las dos palancas de control de la transmisión a la posición de punto muerto para detener el movimiento del tractor.
2. Si la plataforma de corte está activada (cuchillas ACTIVADAS), presione el botón PTO para desactivar las cuchillas (cuchillas DESACTIVADAS).
3. Coloque las palancas de control de la transmisión completamente hacia afuera.
4. Use la palanca o el pedal de elevación de la plataforma para levantar la misma a su posición más alta.

5. Aplique el freno de mano.
6. Presione el botón de encendido/detención (se escuchará un bip).
7. Quite la llave para impedir el uso no autorizado por parte de niños u otras personas.

Conducción del tractor

⚠ ADVERTENCIA

Todos los movimientos de las palancas de control de la transmisión deben ser lentos y suaves. El movimiento abrupto de las palancas de control puede afectar la estabilidad del tractor y podría hacer que el tractor vuelque, con el resultado de lesiones graves o incluso la muerte del operador.

1. Ajuste el asiento del operador a la posición más cómoda que le permita operar los controles. Consulte la forma de hacerlo en la sección MONTAJE.
2. Mueva las palancas de control de la transmisión del lado derecho y del lado izquierdo (Figura 21) y libere el freno de mano.

Palancas de control colocadas hacia adentro y en posición de punto muerto

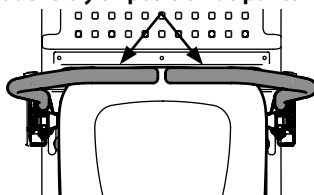


Figura 21

NOTA: La palanca de control de la transmisión se debe mover totalmente hacia adentro, y se debe liberar el freno de mano antes de conducir el tractor. Si estaciona el tractor en un terreno desparejo o en una colina, esto puede hacer que los frenos se agarren y no se suelten por completo.

NOTA: si las palancas de control de la transmisión no están parejas en la posición de punto muerto, consulte la sección Mantenimiento y Ajustes para obtener instrucciones sobre la forma de ajustar las palancas de control de la transmisión para que queden parejas.

⚠ ADVERTENCIA

Siempre sujete las palancas de control con firmeza. NO suelte las palancas de control para desplazarse más despacio o para detener el tractor; lleve las palancas a la posición de punto muerto con las manos.

3. Para conducir el tractor, tome firmemente las palancas de control de la transmisión respectivas con las manos derecha e izquierda y proceda con Conducción del Tractor Marcha Adelante, según las instrucciones de la siguiente sección.

FUNCIONAMIENTO

Conducción del tractor hacia adelante

1. Mueva las palancas de control de la transmisión de forma lenta y pareja hacia adelante. El tractor comenzará a desplazarse hacia adelante (Figura 22).

Conducción en Marcha Adelante

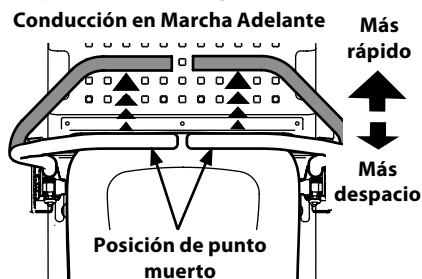


Figura 22

2. A medida que las palancas de control de la transmisión se empujan más hacia adelante, aumenta la velocidad del tractor.
3. Para que el tractor se desplace más lentamente, mueva la palanca de control de la transmisión hacia atrás hasta alcanzar la velocidad deseada, o coloque las palancas de control de la transmisión en la posición de punto muerto para detener el tractor.

Giro con el tractor en marcha adelante

⚠ ADVERTENCIA

Los giros bruscos pueden afectar el control del tractor. Conduzca SIEMPRE el tractor lentamente antes de realizar giros bruscos.

Para que el tractor gire mientras se desplaza hacia adelante, mueva las palancas de control de la transmisión según sea necesario para que una palanca de control de la transmisión quede más atrás que la otra. El tractor girará en la dirección de la palanca de control de la transmisión marcha atrás.

1. Para girar a la izquierda, mueva la palanca de control de la transmisión del lado izquierdo hacia atrás respecto de la palanca de control de la transmisión derecha (Figura 23).

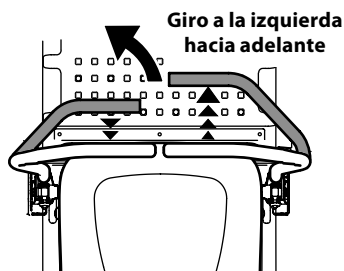


Figura 23

2. Para girar a la derecha, mueva la palanca de control de la transmisión derecha hacia atrás respecto de la palanca izquierda (Figura 24).

Giro a la derecha hacia adelante

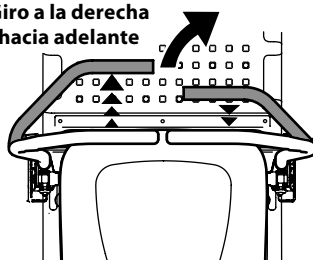


Figura 24

3. Cuanto mayor sea la distancia entre las dos palancas, más cerrado será el giro que dará el tractor.
4. Para realizar un "giro de pivote", mueva la palanca de control de la transmisión del lado de giro a la posición de punto muerto, mientras mueve la otra palanca de control hacia adelante.

NOTA: Los "giros de pivote" sobre el pasto aumentan significativamente el potencial de que se deteriore el césped.

Conducción del tractor en marcha atrás

⚠ ADVERTENCIA

Siempre mire hacia atrás y hacia abajo a ambos lados del tractor antes de desplazarse marcha atrás. Siempre mire hacia atrás cuando se desplaza en marcha atrás. No se recomienda cortar el césped en marcha atrás.

1. Mueva las dos palancas de control de la transmisión de forma lenta y pareja hacia atrás. El tractor comenzará a moverse marcha atrás (Figura 25).

Posición de punto muerto

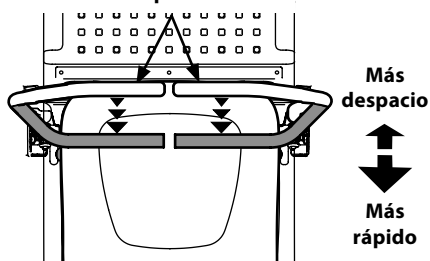


Figura 25

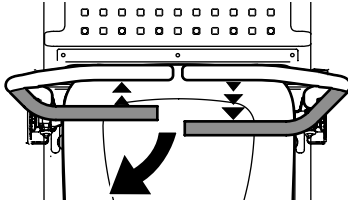
2. A medida que las palancas de control de la transmisión se empujan más hacia atrás, aumenta la velocidad del tractor.
3. Para que el tractor se desplace más lentamente, mueva las palancas de control de la transmisión hacia adelante hasta alcanzar la velocidad deseada, o coloque las palancas de control de transmisión en la posición de punto muerto para detener el tractor.

FUNCIONAMIENTO

Realizar un giro mientras se conduce marcha atrás

Para que el tractor gire mientras se desplaza hacia atrás, mueva las palancas de control de la transmisión según sea necesario para que una palanca de control de la transmisión quede más adelante que la otra. El tractor girará en la dirección de la palanca de control de la transmisión de marcha hacia adelante.

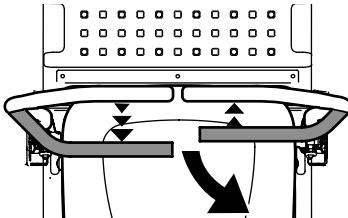
1. Para girar a la izquierda mientras se desplaza marcha atrás, mueva la palanca de control del lado izquierdo hacia adelante respecto de la palanca derecha (Figura 26).



Giro a la izquierda hacia atrás

Figura 26

2. Para girar a la derecha mientras se desplaza marcha atrás, mueva la palanca de control del lado derecho hacia adelante respecto de la palanca de control de la transmisión izquierda (Figura 27).



Giro a la derecha hacia atrás

Figura 27

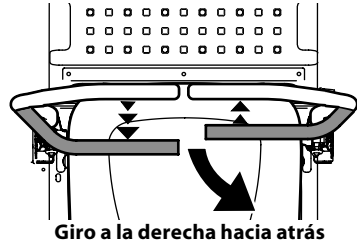
NOTA: Cuanto mayor sea la distancia entre las dos palancas de control de la transmisión, más cerrado será el giro que dará el tractor.

3. Para realizar un "giro de pivote", mueva la palanca de control de la transmisión del lado de giro a la posición de punto muerto, mientras mueve la otra palanca de control de la transmisión hacia atrás.

NOTA: Los "giros de pivote" sobre el pasto aumentan significativamente el potencial de que se deteriore el césped.

Giro de radio cero

1. Detenga el movimiento del tractor hacia adelante o hacia atrás colocando las dos palancas de control de la transmisión en punto muerto.
2. Para girar en el sentido de las agujas del reloj, mueva la palanca de control de la transmisión izquierda hacia adelante mientras mueve simultáneamente la palanca de control de la transmisión derecha hacia atrás (Figura 28).



Giro a la derecha hacia atrás

Figura 28

3. Para girar en sentido contrario a las agujas del reloj, mueva la palanca de control de la transmisión derecha hacia adelante mientras mueve simultáneamente la palanca de control de la transmisión izquierda hacia atrás (Figura 29).

Giro de radio cero hacia la izquierda

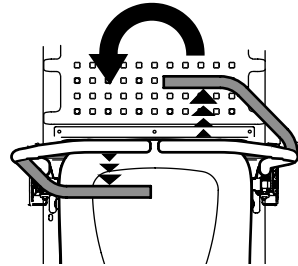


Figura 29

FUNCIONAMIENTO

Funcionamiento de la Toma de Fuerza (PTO)

Para hacer funcionar la PTO (ENCENDIDO/APAGADO de cuchillas), proceda de la siguiente manera:

Presione el botón PTO durante un segundo. Al activarse, la luz indicadora amarilla que está debajo del botón PTO estará encendida (cuchillas ACTIVADAS). Vuelva a presionar el botón PTO durante un segundo, y la luz indicadora verde se apagará (cuchillas DESACTIVADAS).

Corte de césped

⚠ ADVERTENCIA

Para ayudar a evitar el contacto con las cuchillas o una lesión por algún objeto que sea arrojado, mantenga a personas, ayudantes, niños y mascotas alejados al menos 75 pies (23 metros) del tractor mientras está en funcionamiento. Mantenga a las personas, los niños y las mascotas en interiores durante el funcionamiento. Detenga el tractor si alguien entra en la zona.

Planifique el patrón de corte, para evitar que la descarga de materiales se dirija hacia caminos, aceras, observadores, etc. Evite además descargar material contra una pared u obstrucción, ya que esto podría hacer rebotar el material descargado contra el operador.

La siguiente información será de utilidad cuando use la plataforma de corte con su tractor:

1. No corte ni conduzca a alta velocidad absoluta, especialmente si tiene instalado un kit de abono o un colector de césped.
2. Para obtener los mejores resultados, se recomienda que las primeras dos vueltas se corten en sentido de las agujas del reloj con la descarga mirando hacia el centro de su jardín. Después de las dos primeras vueltas, cambie la dirección para arrojar la descarga hacia afuera, para equilibrar el corte. Esto otorgará un mejor aspecto al césped.
3. No corte el césped demasiado corto. El césped corto es propicio para el crecimiento de malezas y se pone amarillo rápidamente cuando escasea la lluvia.
4. En terrenos difíciles, puede resultar necesario pasar por segunda vez el tractor cortacésped sobre el área ya cortada, para obtener un corte más prolijo.
5. NO intente cortar malezas o césped de una altura superior a 10" (25.4 cm). El tractor fue diseñado para cortar el césped, NO para podar malezas.

SERVICIO Y MANTENIMIENTO

⚠ ADVERTENCIA

Antes de inspeccionar, limpiar o reparar el tractor, apáguelo y retire la llave.

Siga el cronograma de mantenimiento que se presenta a continuación. En esta tabla sólo se describen pautas de servicio. Utilice la columna Registro de Servicio para hacer el seguimiento de las tareas de mantenimiento completadas. Póngase en contacto con un distribuidor de servicio autorizado para programar un servicio.

IMPORTANTE: Lleve el cargador de la batería cuando vaya a su distribuidor autorizado para cualquier servicio programado.

⚠ PELIGRO

Los componentes eléctricos de este tractor no pueden repararse. Por favor, contáctese con un distribuidor autorizado para cualquier necesidad de servicio o reparación.

Haga reparar su tractor por personal calificado utilizando únicamente piezas idénticas. Esto protegerá la seguridad del tractor.

NOTA: A intervalos de servicio relevantes, se mostrarán avisadores de servicio en el VCM durante el encendido. Para borrar los avisadores de servicio, pulse el botón de velocidad baja (tortuga). (S02) se muestra como ejemplo.



	Antes del uso	Después de las primeras cinco horas (S01)	Cada cinco horas (S02)	Cada 10 horas (S03)	Cada 25 horas (S04)	Cada 50 horas (S05)	Cada 100 horas (S06)	Antes del almacenamiento
Limpie la parte superior y la parte inferior de la plataforma	✓							✓
Verifique/limpie alrededor de los fusibles, el cableado y los arneses de cables	✓							✓
Verifique/limpie alrededor de la transmisión y del eje	✓							✓
Limpie el tractor	✓							
Lubrique las llantas delanteras					✓			✓
Lubrique los puntos de pivote de los pedales, freno de mano y varillaje de elevación				✓				✓
Verifique la presión de los neumáticos/ infle de acuerdo con la especificación que figura en los laterales de las ruedas	✓		✓					
Verifique el nivel/inclinación de la plataforma/Ajuste según sea necesario					✓			✓
Revise las cuchillas/afíle o reemplace según sea necesario	✓			✓				✓
Cargue la batería	✓							✓
Controle el sistema de enclavamiento de seguridad				✓				
Verifique el tiempo de detención de las cuchillas del tractor				✓				
Revise el par de ajuste del perno del montaje de la hoja (ajuste con un par de 450-600 pulg./libras (51,9 a 68 Nm))		✓				✓		✓
Afíle las cuchillas				✓				
Compruebe que todos los elementos de ferretería estén en su lugar y asegurados				✓			✓	

SERVICIO Y MANTENIMIENTO

Cuidado del Tractor Posterior al Funcionamiento

Cada vez que se utilice el tractor, se deben implementar los siguientes procedimientos para extender su vida útil y garantizar condiciones de operación seguras.

⚠ PELIGRO

Si no se siguen estas recomendaciones, usted u otras personas podrían sufrir lesiones graves, o se podría dañar el tractor.

LIMPIEZA DE LA PARTE INFERIOR DE LA PLATAFORMA

⚠ ADVERTENCIA

Para evitar lesiones graves, no use agua para limpiar el tractor, la batería o el cargador de la batería. No utilice detergentes fuertes. Los productos de limpieza para el hogar que contienen aceites aromáticos como pino y limón, y los disolventes como el queroseno, pueden dañar el plástico.

Debe limpiar la parte inferior de la plataforma del tractor después de cada uso ya que se acumulan recortes de césped, hojas, suciedad y otros desechos. Esta acumulación de recortes de césped, etc. no es aconsejable porque produce óxido y corrosión.

1. Quite cualquier acumulación de césped, hojas y desechos que haya sobre los motores de la plataforma o alrededor de estos y en la parte inferior del tractor (NO USE AGUA). Limpie el tractor con un paño seco.

Importante: No utilice una lavadora a presión o manguera de jardín para limpiar su tractor. Pueden ocasionar daño a los componentes eléctricos, o al motor eléctrico. El uso de agua acortará la vida útil de la máquina y reducirá su capacidad de servicio.

LIMPIEZA DEL TRACTOR

⚠ ADVERTENCIA

Si el tractor ha estado en funcionamiento recientemente, el motor, las superficies metálicas circundantes estarán calientes y pueden causar quemaduras en la piel. Deje que el motor se enfríe durante al menos cinco minutos. Tenga precaución para evitar quemaduras.

El tractor se debe limpiar después de cada uso y bajo ciertas condiciones; es decir, en condiciones secas y/o cuando se haga abono, podría ser necesario realizar limpiezas adicionales.

Una de las mejores maneras de mantener el funcionamiento eficiente de su tractor y reducir el riesgo de incendio es eliminar regularmente la acumulación de desechos del tractor. Siga las recomendaciones a continuación y contacte a su distribuidor autorizado si tiene alguna pregunta.

- Deje que el tractor se enfríe en un área abierta antes de limpiarlo.

- No utilice agua sobre ninguna parte del tractor (Figura 30). Ello podría dañar los componentes eléctricos y los motores del tractor. Podrá mantener el tractor limpio mediante el uso de aire comprimido y/o soplador de hojas o cepillo, esponja húmeda o trapo.
- Limpie alrededor de fusibles y arneses de cables.
- Limpie la parte superior de la plataforma del tractor.

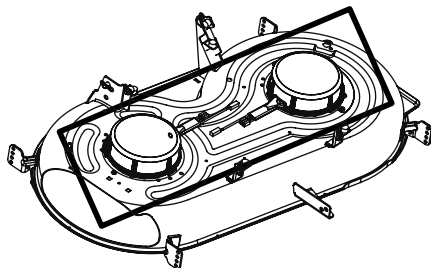


Figura 30

- Limpie alrededor y cerca de la transmisión y del eje (Figura 31).



Figura 31

- Se pueden acumular residuos en cualquier parte del tractor, especialmente en superficies horizontales. Puede ser necesario realizar una limpieza adicional cuando corte césped en condiciones secas o cuando haga abono.
- Una lubricación excesiva podría propiciar la acumulación de desechos. La reparación inmediata y la eliminación de lubricación excesiva pueden ayudar a reducir los riesgos de incendio.
- Además de limpiar el tractor antes de utilizarlo y antes de guardarlo, no intente cortar césped demasiado crecido (de 10" (25.4 cm) o más de altura), seco (como un pastizal) o pilas de hojas secas. El césped o las hojas que están secos podrían acumularse sobre la plataforma del tractor presentando un potencial peligro de incendio.

SERVICIO Y MANTENIMIENTO

Mantenimiento

EXTRACCIÓN DEL PANEL DEL PISO (SI ESTÁ EQUIPADO)

⚠ ADVERTENCIA

No opere el tractor si se extrajo el panel del piso.

El panel del piso se puede quitar para realizar tareas de mantenimiento, reparaciones y limpieza. Para extraer el panel del piso (Figura 32):

1. Con una herramienta para usos múltiples (si está equipada) o una llave de cubo de 1/2", extraiga el tornillo de cabeza hexagonal (a) que sujeta el panel del piso en su lugar.
2. Levante con cuidado la parte trasera del panel del piso.
3. Para liberar el frente del panel del piso, deslícelo hacia atrás.
4. Levante el panel del piso para quitarlo del tractor.

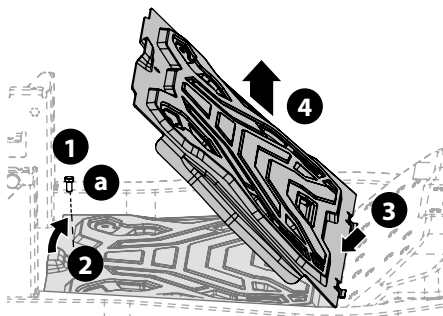


Figura 32

5. Para colocar el panel del piso nuevamente en el tractor, vuelva a colocarlo con atención en su lugar y reinstale el tornillo de cabeza hexagonal que se extrajo en el paso 1. Ajuste hasta 108-132 pulgadas-libras (12-15 N-m).

LUBRICACIÓN

⚠ ADVERTENCIA

Antes de lubricar, reparar o inspeccionar, desconecte siempre la toma de fuerza (PTO), ponga el freno de mano, pare el tractor y retire la llave, para evitar el encendido accidental del motor.

- Con un aceite lubricante de buena calidad, lubrique todos los puntos de lubricación. Consulte la tabla del Programa de Mantenimiento que figura en este manual para conocer los intervalos de mantenimiento adecuados.

NEUMÁTICOS

Mantenga los neumáticos inflados a las presiones recomendadas. El inflado inadecuado de un neumático reduce su vida útil. Consulte los laterales de los neumáticos para averiguar las presiones de inflado adecuadas. Consulte la tabla del Programa de Mantenimiento que figura en este manual para conocer los intervalos de mantenimiento adecuados.

Respete las siguientes pautas:

- No infle los neumáticos por encima de la presión máxima que se muestra en el lateral del neumático.
- No vuelva a inflar un neumático que se ha utilizado desinflado o desinflado en extremo. Un gomero calificado debe inspeccionar y reparar el neumático.

Ajustes

AJUSTE DEL PEDAL DE ELEVACIÓN DE LA PLATAFORMA

El pedal de elevación de la plataforma se puede ajustar según la preferencia del operador.

1. Coloque la plataforma en la posición de transporte.
2. Quite el perno hexagonal, la arandela y la tuerca hexagonal cerca del centro del montaje del pedal (Figura 33).

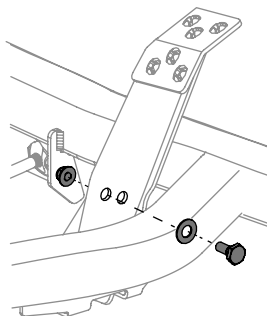


Figura 33

3. Ubique el pedal en la posición óptima según la preferencia del usuario (Figura 34).

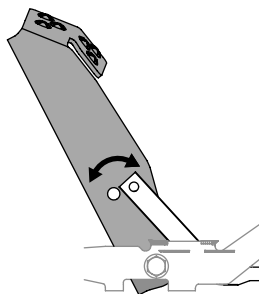


Figura 34

4. Reinstale los elementos de ferretería extraídos anteriormente y ajuste la tuerca con un par de 28-35 ft-lbs (38 a 47 Nm).

SERVICIO Y MANTENIMIENTO

Nivelación de la Plataforma

Si la plataforma de corte estuviera realizando el corte de césped de forma despareja, pueden realizarse ajustes de nivelación.

⚠ ADVERTENCIA

Si el tractor ha estado en funcionamiento recientemente, el motor, el silenciador y las superficies metálicas circundantes estarán muy calientes y pueden causar quemaduras en la piel. Deje que el motor se enfríe durante al menos cinco minutos. Tenga precaución para evitar quemaduras.

NIVELACIÓN DE LA PLATAFORMA (DE LADO A LADO)

1. Coloque la manija de elevación de la plataforma o la perilla de elevación de la plataforma en la posición intermedia de corte y gire ambas cuchillas exteriores para que queden perpendiculares al tractor.
2. Mida la distancia desde la parte externa de la punta de la cuchilla izquierda hasta el piso, y desde la parte externa de la punta de la cuchilla derecha hasta el piso. Las dos mediciones obtenidas deben ser iguales. Si no lo son, prosiga al paso siguiente.
3. Ubique los pernos de ajuste (a) del lado izquierdo y derecho de la plataforma (Figura 35).

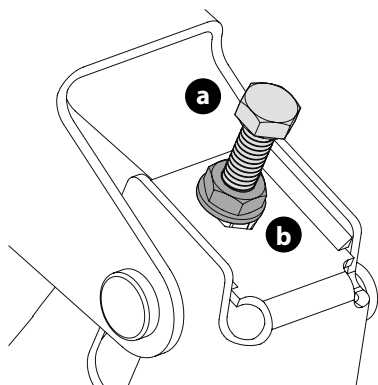


Figura 35

4. Afloje pero no extraiga las contratuercas (b) en el perno de ajuste. Ajuste el perno de ajuste derecho o izquierdo arriba o abajo según sea necesario hasta que la altura de un lado a otro sea equivalente.

NOTA: Siga verificando la nivelación de adelante hacia atrás a medida que realiza el ajuste de un lado a otro, ya que este ajuste puede afectar la nivelación de adelante hacia atrás. Si fuera necesario, ajuste la nivelación de adelante hacia atrás como se indicó previamente.

5. Cuando se logra el ajuste correcto, vuelva a apretar la contratuerca (b). Ajuste hasta 200 ft-lb (22,5 N-m).

NIVELACIÓN DE LA PLATAFORMA (INCLINACIÓN/DE ADELANTE HACIA ATRÁS)

El frente de la plataforma debe estar entre 1/16-1/4" (2-6 mm) más abajo que la parte trasera de la plataforma. De ser necesario, realice un ajuste de la siguiente manera:

1. Estacione el tractor sobre una superficie firme y nivelada, y coloque la manija de elevación de plataforma o la perilla de elevación de la plataforma en una posición intermedia.
2. Rote la cuchilla lo más cerca posible del canal de descarga de manera que esté en paralelo con el tractor.
3. Mida la distancia desde la parte delantera de la punta de la cuchilla hasta el suelo, y desde la parte posterior de la punta de la cuchilla hasta el suelo. La primera medición tomada debe ser entre 1/16-1/4" (2-6 mm) menos que la segunda medición.
4. Determine la distancia aproximada necesaria para un ajuste adecuado y, de ser necesario, proceda.
5. Para elevar el frente de la plataforma, extraiga la tapa de extremo, afloje la contratuerca exterior (a) y apriete (rosca hacia adentro) la tuerca interior (b) contra la ménsula de suspensión delantera. Una vez alcanzado el ajuste adecuado, vuelva a ajustar la contratuerca exterior (a) y vuelva a colocar la tapa de extremo (Figura 36).

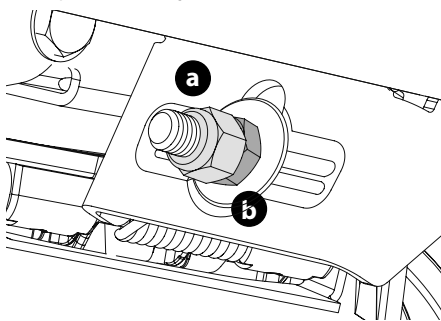


Figura 36

6. Para bajar el frente de la plataforma, extraiga la tapa de extremo, afloje la contratuerca exterior (a) y afloje (rosca hacia afuera) la tuerca interior (b) alejándola de la ménsula de suspensión delantera. Cuando se logre el ajuste correcto, vuelva a apretar la contratuerca externa (a) hasta 57 pies-libras. (77,28 N-m) y vuelva a colocar la tapa de extremo.

SERVICIO Y MANTENIMIENTO

AJUSTE DE LAS RUEDAS DE LA PLATAFORMA

⚠ ADVERTENCIA

Mantenga las manos y los pies alejados de la abertura de descarga de la plataforma de corte.

NOTA: Las ruedas de la plataforma constituyen un mecanismo para el cuidado del césped y no fueron diseñadas para soportar el peso de la plataforma de corte. Las ruedas de la plataforma deben estar aproximadamente 1/4" a 1/2" (6,35 a 12,7 mm) por encima del suelo cuando la plataforma se fija en el valor de altura deseado. Para ajustar las ruedas de la plataforma, consulte las instrucciones en la sección Montaje.

AJUSTE DE DETENCIÓN DE LAS PALANCAS DE CONTROL DE LA TRANSMISIÓN DE BARRAS DE SEGURIDAD

Cuando ambas palancas de control de la transmisión estén completamente extendidas hacia adelante hasta la posición de velocidad máxima y el tractor se desplaza a la derecha o a la izquierda, se puede regular el ajuste de detención de las palancas de control de la transmisión para sincronizar las velocidades de las ruedas. Para realizar el ajuste proceda de la siguiente manera:

1. Identifique el lado hacia el que se desplaza el tractor y ajuste la palanca de control de la transmisión del lado contrario. Si el tractor se desplaza hacia la derecha, ajuste la palanca de control de la transmisión izquierda hacia abajo (reduzca la velocidad) y viceversa.
2. Ubique los pernos del ajuste de detención de las palancas de control de la transmisión de barras de seguridad (a) que están en el frente del marco del asiento (Figura 37).

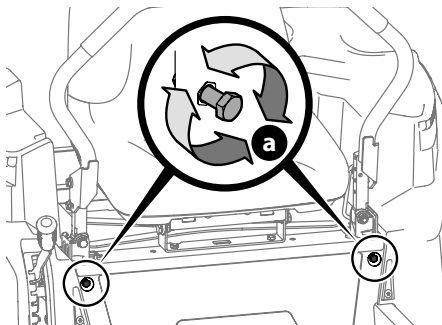


Figura 37

NOTA: Para hacer este ajuste, se puede usar la herramienta para usos múltiples (si se incluye).

3. Para reducir la velocidad de avance, gire los pernos del ajuste de detención de las palancas de control de la transmisión de barras de seguridad (a) en el sentido de las agujas del reloj. Para incrementar la velocidad de avance, gire los pernos de ajuste de detención de las palancas de control de la transmisión (a) en el sentido contrario a las agujas del reloj. Gire los pernos de ajuste de detención de las palancas de control de la transmisión (a) en la dirección necesaria 1/4 de giro por vez. Después de girar los pernos de ajuste de detención de las palancas de control de la transmisión (a), compruebe el ajuste manejando el tractor.

4. Continúe el ajuste hasta que las velocidades de las ruedas estén sincronizadas y el tractor circule en línea recta con las palancas de control de la transmisión completamente extendidas hacia adelante en la posición de velocidad máxima.

NOTA: compruebe que los pernos se extiendan a través de las tuercas del bastidor para activar la función de bloqueo.

Ajuste del Asiento

Consulte en la sección Montaje de este manual las instrucciones para el ajuste del asiento.

Servicio

RETIRO DE LA PLATAFORMA

Retire la plataforma de corte del tractor de la siguiente forma:

1. Apague el motor, saque la llave del interruptor de llave y aplique el freno de mano.
 - a. Utilice el pedal de elevación de la plataforma y la perilla de elevación de la plataforma para colocar la plataforma en su posición más baja y utilice la herramienta para usos múltiples para trabar los componentes de elevación de la plataforma en su lugar (Figura 38).

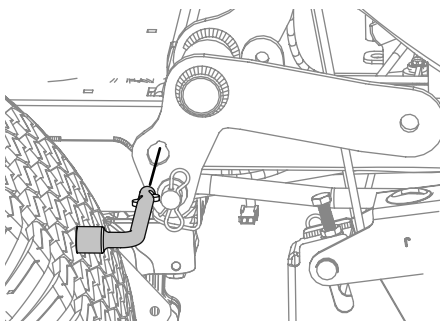


Figura 38

⚠ ADVERTENCIA

La elevación de la plataforma en los tractores con la perilla de elevación de plataforma se acciona con resorte y bajo tensión. Pueden ocurrir lesiones si la elevación de la plataforma accionada por resorte se suelta repentinamente. Use siempre la herramienta para usos múltiples para sujetar la elevación de la plataforma en su lugar.

2. Desconecte el motor de la plataforma de los adaptadores que se encuentran en la parte inferior del tractor. Gire los conectores 1/4 de vuelta en sentido contrario a las agujas del reloj y tire hacia abajo (Figura 39).

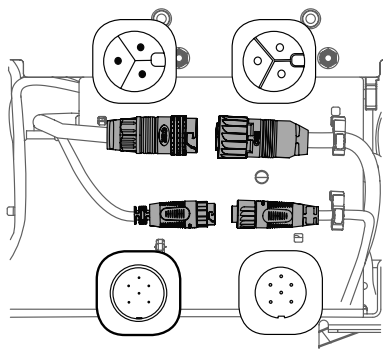


Figura 39

- Extraiga los dos pasadores con unión curva (b) de los pasadores de horquilla (c) que sujetan los soportes del varillaje de elevación (d) a los soportes traseros de elevación de la plataforma (e) en la plataforma (Figura 40). Extraiga los pasadores de horquilla (c).

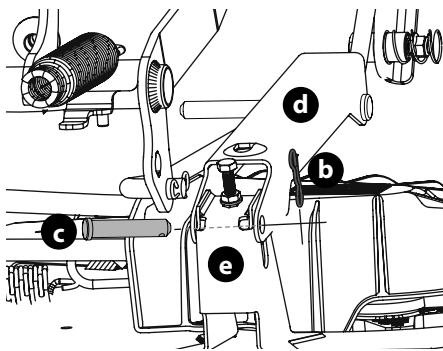


Figura 40

- Extraiga el tercer pasador con unión curva (f) del pasador de horquilla (g) que sujeta la varilla de control de la plataforma delantera (h) al soporte delantero de elevación de la plataforma (i) (Figura 41). Extraiga los pasadores de horquilla (g).

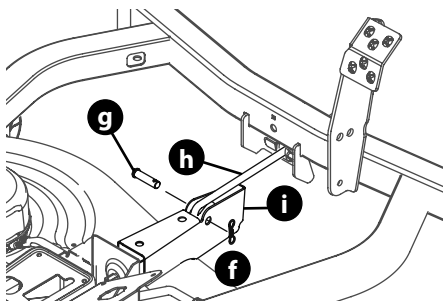


Figura 41

- Maniobre con atención la plataforma para sacarla de debajo del tractor.

Instalación de la Plataforma

Instale la plataforma sobre el tractor de la siguiente forma:

- Maniobre con atención la plataforma debajo del tractor desde el lado derecho, alineando las ménsulas de suspensión de la plataforma y los brazos de elevación de la plataforma en tractores con varilla de elevación de la plataforma/pasador de liberación de la plataforma, y alinee los soportes del varillaje de elevación y la varilla de control de la plataforma delantera con los soportes de elevación de la plataforma en tractores con tres pasadores.
- Una vez que la plataforma esté debajo del tractor, mueva el pedal de elevación de la plataforma a la posición de corte más baja.

NOTA: Para que los soportes se alineen adecuadamente puede ser necesario colocar un bloque de madera pequeño debajo de cada lado de la plataforma.

- Vuelva a instalar los elementos de ferretería aplicables del sistema de elevación de la plataforma del tractor.
- Conecte los motores de la plataforma con los adaptadores de la parte inferior del tractor y gire los adaptadores 1/4 de vuelta en sentido contrario a las agujas del reloj para asegurarlos.
- Quite la herramienta múltiple de los componentes de elevación de la plataforma.

Cuchillas

⚠ ADVERTENCIA

Apague el tractor y quite la llave antes de extraer la(s) cuchilla(s) de corte para su afilado o reemplazo. Proteja sus manos utilizando guantes reforzados cuando sujete las cuchillas.

Inspeccione periódicamente la cuchilla y/o el motor de la plataforma en busca de rajaduras o daños, especialmente después de golpear un objeto extraño. No haga funcionar el tractor hasta después de haber reemplazado los componentes dañados.

Las cuchillas de corte deben estar siempre afiladas. Afile los bordes de corte de las cuchillas de forma pareja de modo que las cuchillas queden balanceadas y se mantenga el mismo ángulo de filo.

Si el borde de corte de una cuchilla ya se ha afilado muchas veces, o si hay alguna separación en el metal, se recomienda instalar cuchillas nuevas. El distribuidor autorizado le puede proveer cuchillas nuevas.

Las cuchillas se pueden sacar de la siguiente manera:

- Extraiga la plataforma de la parte inferior del tractor, (consulte la sección Extracción de la plataforma); luego voltee con delicadeza la plataforma para dejar al descubierto su parte inferior.

SERVICIO Y MANTENIMIENTO

- Afloje la tuerca hexagonal (a) que sujeta la cuchilla (b). Se puede colocar un bloque de madera (c) entre el alojamiento de la plataforma y el borde de corte de la cuchilla (b) para ayudar a aflojar la tuerca hexagonal (a) que fija la cuchilla (Figura 42).

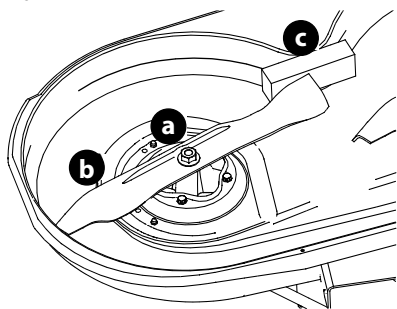


Figura 42

- Cuando reinstale las cuchillas, asegúrese de que se instalen de modo que las aletas se orienten hacia arriba hacia la parte superior de la plataforma.
- Ajuste las tuercas hexagonales (a) a 450-600 pies-libras. (50,8-67,8 N-m).
- Reinstale la plataforma (consulte Instalación de la plataforma).

Almacenamiento Fuera de Temporada

ALMACENAMIENTO DEL TRACTOR

- Deje que el tractor se enfríe en un área abierta antes de almacenarlo.
- No estacione el tractor cerca de cualquier material inflamable (madera, ropa o productos químicos) o de llamas abiertas o cualquier otra fuente potencial de ignición (hornos, calentadores de agua u otros tipos de calefactores).
- Quite todos los materiales combustibles del tractor antes de guardarlo. Vacíe las cajas de carga y los colectores o contenedores de césped.

RETIRO DEL TRACTOR DEL LUGAR DE GUARDA

- Cargue totalmente la batería e infle los neumáticos a la presión recomendada.
- Conduzca el tractor sin carga para estar seguro de que todos los sistemas del tractor funcionan correctamente.

ALMACENAMIENTO DE LA BATERÍA

- La batería debe guardarse con carga completa. Una batería descargada puede congelarse más rápidamente que una batería cargada en temperaturas frías.
- El cargador de la batería debe permanecer conectado en el puerto de carga cuando no está en uso.
- Si no fuera posible mantener el cargador conectado durante el tiempo de almacenamiento fuera de temporada, se debe cargar la batería por completo una vez al mes.

NOTA: Lleva aproximadamente 4 horas cargar por completo la batería. Dejar la batería conectada al cargador por más de 4 horas no daña la batería.

- La batería no debe dejarse descargada. Ello podría ocasionar un daño permanente a la batería.
- Recargue totalmente la batería antes de volver a poner el tractor en servicio.

Eliminación de la Batería

ELIMINACIÓN DE BATERÍAS DAÑADAS O AGOTADAS

⚠ ADVERTENCIA

Esta batería contiene el siguiente material tóxico y corrosivo: ION DE LITIO, un material tóxico.

No use baterías rotas o con grietas, aun cuando no tengan pérdidas. Cambie las baterías dañadas o agotadas por baterías nuevas. ¡NO INTENTE REPARAR LAS BATERÍAS! Los intentos de reparación pueden producir lesiones personales graves debido a explosión o descarga eléctrica.

Para evitar lesiones personales y daños ambientales:








- No intente retirar ni destruir ningún componente de la batería. No abra ni rompa la batería. Si se produce una pérdida, los electrolitos emitidos son corrosivos y tóxicos. No deje que la solución entre en contacto con sus ojos o su piel y no trague solución.
- No arroje la batería junto con la basura domiciliar normal.
- No arroje la batería al fuego. La celda puede explotar.
- No elimine la batería en un lugar donde pase a ser parte de algún relleno sanitario o de los desechos sólidos municipales.
- Póngase en contacto con su distribuidor de servicio autorizado para el correcto reciclado de la batería.

SERVICIO Y MANTENIMIENTO

PROBLEMA	CAUSA	SOLUCIÓN
El tractor se detuvo o no arranca, o no se muestra el código de error.	1. Falla en el sistema eléctrico	1. Apague y vuelva a encender el tractor. Si el problema persiste, comuníquese con un distribuidor de servicio autorizado.
Demasiada vibración	1. La cuchilla está floja o desbalanceada 2. Cuchilla de corte dañada, desbalanceada o doblada.	1. Apriete la cuchilla de corte y el husillo de la plataforma. 2. Reemplace la cuchilla.
Corte irregular	1. Presión de neumáticos desigual 2. Plataforma nivelada incorrectamente 3. Cuchilla de corte desafilada o dañada	1. Verifique y corrija la presión de los cuatro neumáticos. 2. Haga un ajuste de la plataforma de adelante hacia atrás. 3. Afile o cambie la cuchilla de corte.
Tractor no abona el césped	1. Césped húmedo 2. Césped demasiado alto 3. Cuchilla desafilada	1. No procese abono cuando el césped está mojado. 2. Corte una vez a una altura de corte elevada y luego vuelva a realizar el corte a la altura deseada, o siga una ruta de corte más estrecha. 3. Afile o cambie la cuchilla.
Las cuchillas no giran/se detuvieron	1. Sobrecarga 2. Batería baja	1. Deje que el motor de la plataforma se enfríe/eleve la altura de la plataforma. 2. Regrese al hogar; conéctela al cargador.
Las cuchillas se detuvieron durante el desplazamiento marcha atrás	3. Las cuchillas se detuvieron	4. Vuelva a encender las cuchillas (PTO)
Velocidad reducida	1. El modo de baja velocidad está activado. 2. Batería baja 3. Sobrecarga	1. Pulse el botón de velocidad baja para desconectar el modo de baja velocidad. 2. Cargue la batería según las instrucciones del manual del cargador de la batería. 3. Levante la cubierta.

SERVICIO Y MANTENIMIENTO












Mensajes de la pantalla LCD general

MENSAJE	DESCRIPCIÓN
	<p>Baja Temperatura de Batería: Mueva el tractor a un lugar cálido y deje que la batería se caliente. Si el problema persiste, póngase en contacto con personal de servicio calificado.</p>
<p>Alta Temperatura de Batería</p>  <p>Alta Temperatura de Plataforma /Motor de Transmisión</p> 	<p>Alta Temperatura: Apague el tractor, deje que se enfríe y vuelva a encenderlo. Si el problema persiste, póngase en contacto con personal de servicio calificado.</p>
 	<p>Desenchufe el cable/Cierre la puerta del puerto de carga: Antes de encender y hacer funcionar el tractor, se debe desenchufar el cable y cerrar correctamente la puerta del puerto de carga.</p>
	<p>Control de velocidad crucero ENCENDIDO: El control de velocidad crucero está activado cuando el icono aparece en pantalla.</p>
	<p>Sobrecarga en Plataforma de Corte: Plataforma y transmisión apagadas. Apague el tractor, limpie debajo de la plataforma como se indica en la sección Cuidado del Tractor Posterior al Funcionamiento, y vuelva a encender el tractor. Eleve la plataforma y/o corte a ritmo más lento. Si el problema persiste, póngase en contacto con personal de servicio calificado.</p>

SERVICIO Y MANTENIMIENTO

Fallas

Las fallas se muestran como códigos de cuatro dígitos correspondiendo el primer número (después de la "E") al subsistema afectado. Estas fallas podrían interrumpir el funcionamiento de la plataforma o transmisión o de todo el tractor. En ese caso, apague el tractor y deje que se enfríe antes de volver a encenderlo. Si estas fallas persisten, comuníquese con personal de servicio calificado.

CÓDIGO	DESCRIPCIÓN
 E1__ 	Todas las fallas relacionadas con el VCM
 E2__ 	Fallas en Motor de Plataforma Izquierda/Fallas en Motor de Plataforma Única
 E3__ 	Fallas en Motor de Plataforma Derecha (si se incluye)
 E4__ 	Fallas en Motor de Plataforma Central (si se incluye)
 E5__ 	Fallas en Motor de Transmisión Izquierda/Fallas en Motor de Transmisión Única
 E6__ 	Fallas en Motor de Transmisión Derecha
 E7__ 	Fallas de batería
 E8__ 	Fallas de batería
 E9__ 	Fallas de batería

SLOPE GAUGE (INDICADOR DE PENDIENTE)

