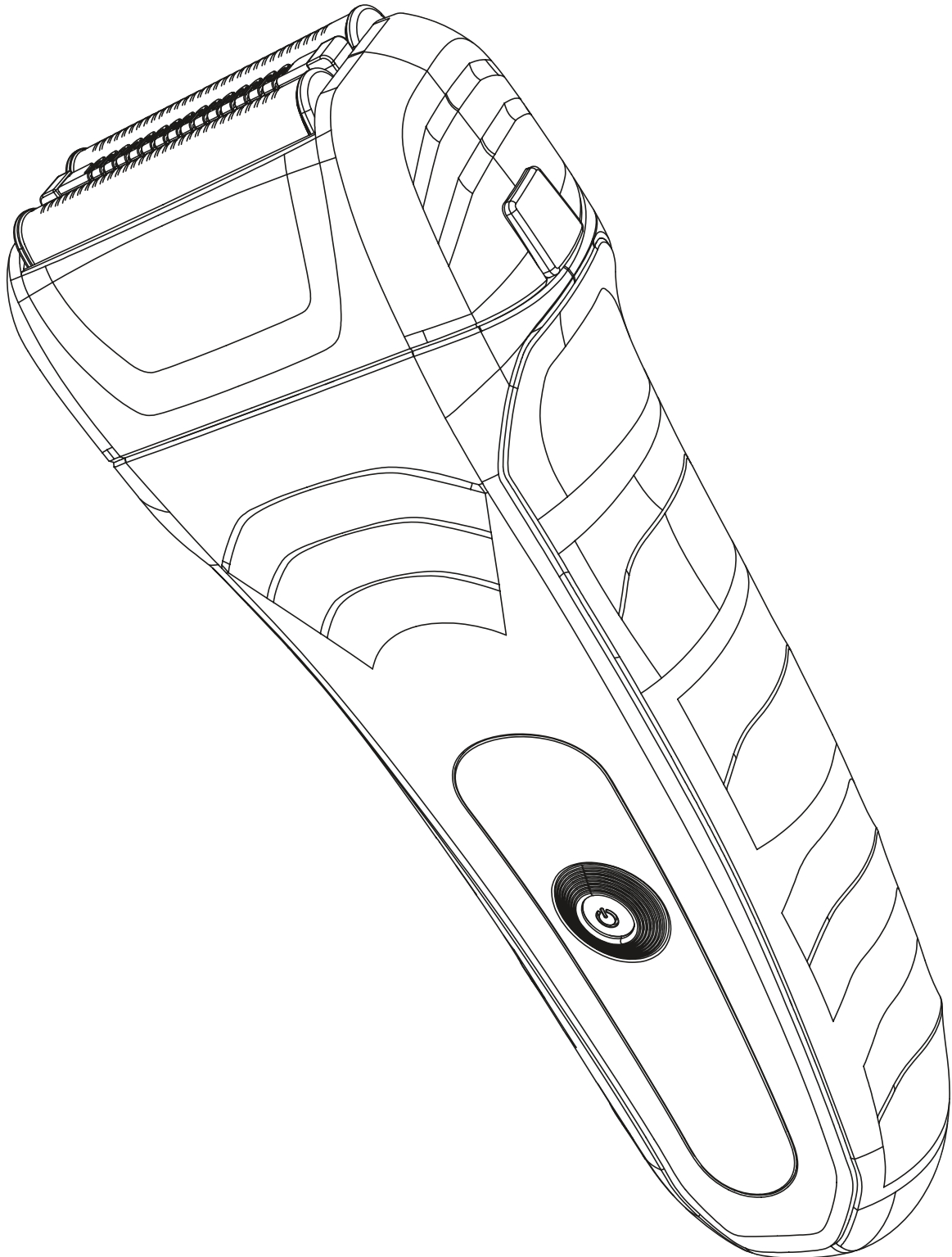




WahlUSA.com



Operating Instructions for 07061 Series Shavers

Instrucciones de Funcionamiento para Rasuradoras Serie 07061

5-YEAR LIMITED WARRANTY

Valid in U.S.A. Only

If your Wahl product fails to operate satisfactorily within five (5) years from the date of original purchase or receipt as a gift, Wahl will, at our option, repair or replace the product and return it to you FREE OF CHARGE. **Do not return this product to store where purchased.** Products needing repair under this warranty should be returned with postage pre-paid to the following address or call 1-800-767-9245 for assistance:

Wahl Clipper Corp.

Attn: Repair Department

3001 Locust Street

Sterling, Illinois 61081

When mailing, please include a note describing the defect and the date of original purchase or receipt as a gift. Products out of warranty will be repaired at our standard repair charges.

This warranty does not cover products damaged by:

1. Modification or repair by anyone other than Wahl Clipper Corporation or a Wahl authorized service center;
2. Commercial (non-consumer) use or unreasonable use.

This warranty gives you specific legal rights, and you may also have other rights which vary from state to state. No other written express warranty is given. No responsibility is assumed for incidental or consequential damages of any type or for the use of unauthorized attachments. Some states may not allow the exclusion or limitation of incidental or consequential damages, so the limitation may not apply to you. Warranty valid in U.S.A. only. Outside U.S.A., check with store for Wahl authorized distributor's warranty.

For more information or Product Registration, visit WahlUSA.com

© 2019 Wahl Clipper Corporation

Part No. 91590-301

Printed in China

SAVE THESE INSTRUCTIONS

For Household Use Only

LITHIUM-ION BATTERY REPLACEMENT, SHAVER DISPOSAL AND RECYCLING:

- For battery replacement send the entire, intact shaver unit to:
Wahl Annex 3001 North Locust, P.O. Box 578, Sterling, IL 61081
- Do not attempt to remove the battery. Lithium-Ion batteries can explode, catch fire, and/or cause burns if disassembled, damaged, or exposed to water or high temperatures.
- If you choose not to replace the battery, the entire, intact shaver unit must be disposed. Do not attempt to remove the battery for disposal. Lithium-Ion batteries may be subject to local disposal regulations. Many locations prohibit disposal in standard waste receptacles. Check your local laws and regulations.
- For recycling contact a government recycling agency, waste disposal service, retailer, or visit online recycling sources, such as www.batteryrecycling.com or www.rbrc.org.

TIPS FOR FIRST-TIME USERS

If you are using an electric shaver for the first time, your skin will probably need to condition itself to this new shaving technique. Start on the easiest part of the face first, usually the smooth portion of the face below the ear. Shave with a light touch and use your Wahl shaver exclusively for three to four weeks, or longer if you have sensitive skin or if your whiskers grow at different angles in certain areas. **Initially your shaves may not be as close as you would like, and your skin may become a bit irritated.** But if you stick with it, you will eventually get great shaves.

If you go several days without shaving and your beard gets a bit long, use the pop-up trimmer to go over your beard, catching all the longer hairs and setting up the remaining stubble for the foil to shave smooth and clean.

If you have been using another type of electric shaver before, there may also be a period of conditioning prior to receiving maximum results.

QUICK TIPS & HANDY REMINDERS

1. If you are a first-time electric shaver user, or changing from another brand, there will be a 2 to 3 week (or less) adjustment period while your face and beard adapts to the new foil.
2. When you open your package, charge your shaver for 1 hour before the first shave or until charging is complete.
3. Replace the foil head and cutter bars every 12 months or if foils are damaged. Replacement foils can be ordered at <https://home.wahl.com>.
4. Be sure to clean the shaver, cutter bars and foil after every three or four shaves.
5. Use the pop-up long-hair trimmer to snip stray hairs.
6. Keep using and both your face and beard will adapt to the shaver.

TRAVEL LOCK

The Wahl 07061 Series Shaver comes with an electronic travel lock to avoid accidental activation while transporting.

Hold power button down for 3 seconds to engage travel lock.

Hold power button down for 3 seconds to disengage travel lock.

When travel lock is active, pressing the power button will cause the LED(s) to flash for 1 second.

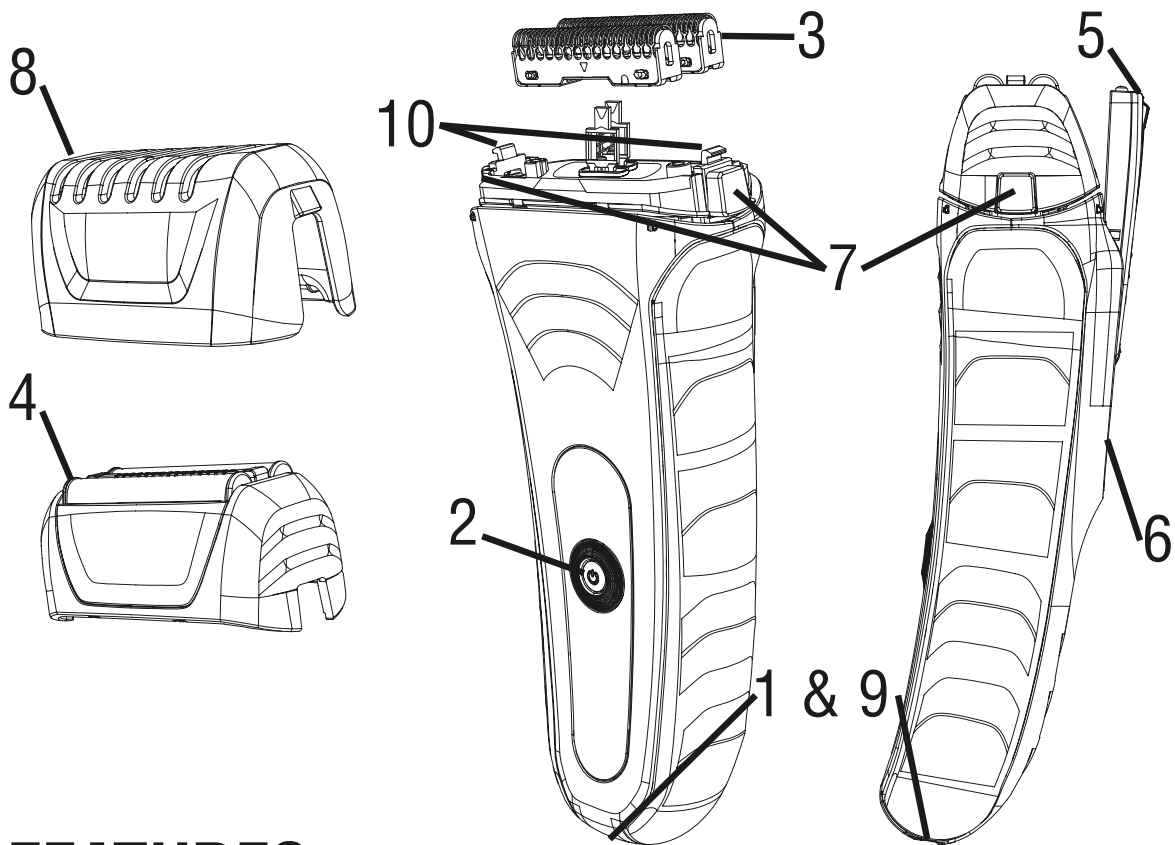
NOTE: The shaver can be charged even if the travel lock is engaged. When travel lock is active, and the shaver is charged then is disconnected from the transformer, the travel lock will be disengaged.

WET/DRY USE

NOTE: Do not submerge shaver in more than 3 feet of water or for more than 30 minutes to prevent water ingress into the electronics. Warranty is void if shaver is submerged beyond these limitations.

The Wahl shaver is designed to be water resistant and shower proof. This lets you use your Wahl shaver in the shower or at the sink without worry and makes it easy to clean under running water.

NOTE: The shaver is for wet/dry use. The shaver will not run while the cord is attached for safety.



FEATURES

- | | |
|-----------------------------|-------------------------------|
| 1. Socket | 6. Long-Hair Trimmer Switch |
| 2. On/Off Switch | 7. Shaver Head Release Button |
| 3. Cutter Bar Assembly | 8. Foil Guard |
| 4. Flex Foil Head | 9. Charger Contacts |
| 5. Long-Hair Pop-Up Trimmer | 10. Spring Clips |

Note: Remove LED label before first use.



This symbol, located on the shaver, represents that the shaver is suitable for use in the bath and shower.

CHARGING OPERATION

The shaver cannot be overcharged, so you may charge it as often as desired. However, periodic recharging of the shaver, rather than continuous recharging, will prolong battery life.

MODELS WITH 1 LED

Charge when shaver seems to lose power or run slower. The charging LED will light up while charging. LED will turn off when charging is complete.

MODELS WITH 2 LEDS

The red LED will flash for one second when turning off the shaver when it is time to charge (below 10%).

The blue LED will light up while charging. LED will turn off when charging is complete.

MODELS WITH 5 LEDS

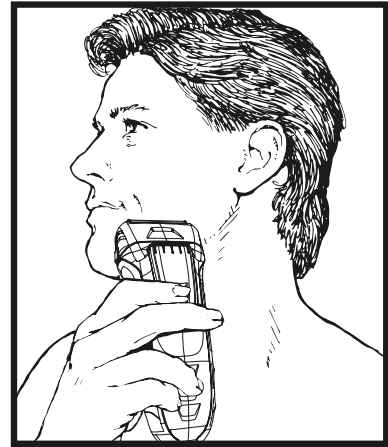
The LED meter will show the amount of charge left on the shaver. The fewer lights that are lit, the lower the charge on the battery is.

The red LED will flash for one second when turning off the shaver when it is time to charge (below 10%).

While charging, the LED meter will show the progression of charging. All LEDs will turn off when charging is complete.

SHAVING PROCEDURES FOR FAST, CLOSE SHAVES

We suggest that you thoroughly cleanse and completely dry your skin prior to shaving. For maximum speed and efficiency, hold the shaver so that both screens are in contact with the skin. When shaving the upper lip or neck, hold shaver so that the uppermost screen is in contact with skin.

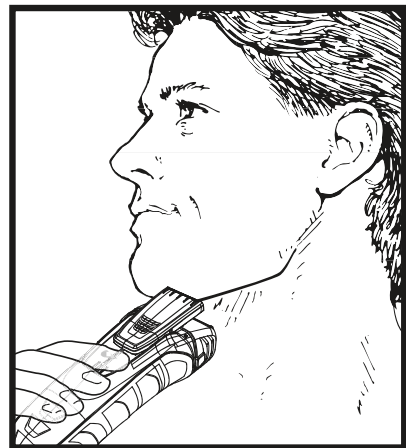


Shave both with and against the grain of the beard, and stretch the skin taut in the path of the shaver. Guide the dual foil heads **gently** back and forth, primarily against the grain of the beard. **Do not press screen heads hard against face.** Heavy scrubbing action with the shaver could damage the foil and will not result in a closer shave.

Always replace the foil guard to protect the delicate dual foil heads when shaver is off.

SHAVING HEAVY BEARD GROWTH

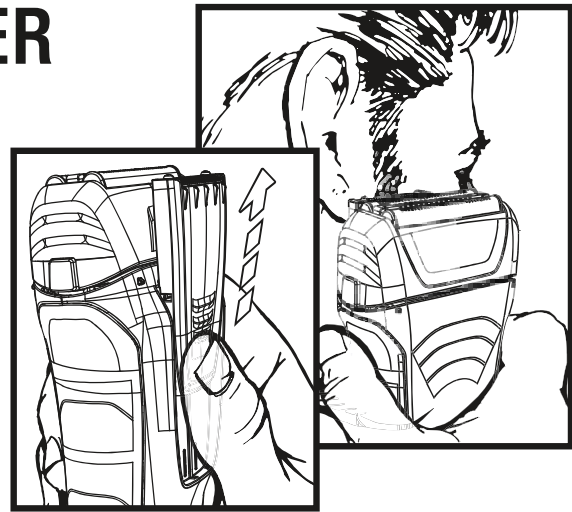
Begin shaving in a less dense area of the beard. Move the shaver in a circular motion on a small area of the face (this picks up the hairs that grow in all directions). When you see that this small area is shaved clean, gradually move into a new area while still using the circular motion. Continue this motion, one small section at a time, until entire face is shaved.



If your beard has more than 3 days of growth, use the pop-up long-hair trimmer to cut the beard down to about a one-day growth before using the shaver foil.

LONG-HAIR TRIMMER OPERATION

Your shaver features a special long-hair trimmer located on the back of the shaver which telescopes up from the foil head for precise and easy trimming of sideburns, beards or mustaches, and for removing long hairs from the neck. And, as mentioned earlier, it can be used to “knock down” heavy beard growth prior to shaving with the foil.



To use, remove foil guard and simply push the long-hair trimmer Switch in an upward motion until trimmer slides (clicks) into position. Push On/Off switch. Then begin trimming/styling.

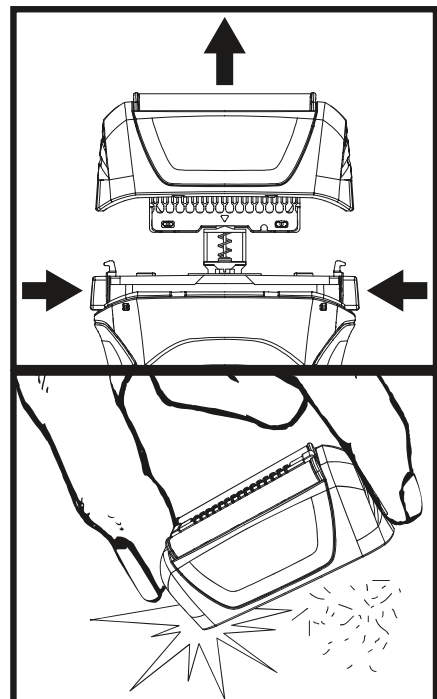
CLEANING AND MAINTENANCE SHAVER HEAD CARE

For maximum performance, we recommend you clean your shaver after every few shaves. **If using shaving cream or gel, rinse with warm water after every use.** Any servicing, other than replacement of foil head and cutter bars, should be performed by an authorized Wahl Shaver Service Center or Wahl Clipper Corporation (see Warranty for mailing address information).

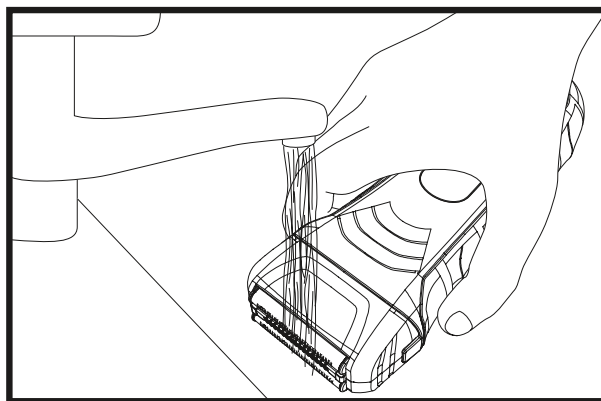
To clean, turn shaver “OFF” and remove the foil head by pushing the shaver head release buttons on the sides of the shaver and lifting the foil head upward.

Lightly tap the open side of the foil head on a hard surface to remove the majority of loose stubble particles. **Be careful not to tap foil.**

For easy cleaning, you may rinse your shaver with water. While the foils can be rinsed, we recommend removing the foil



head, and rinsing the cutter bars. This will allow any hairs still on the cutter bars to be washed away. Leaving the foil head on while rinsing makes it more difficult for hairs to be washed clean.



TO REMOVE CUTTER BAR

Turn shaver off. Remove the foil head and, holding the shaver in one hand, gently pull up on cutter bar. Be sure your thumb and first finger are positioned at each end of the cutter bar.

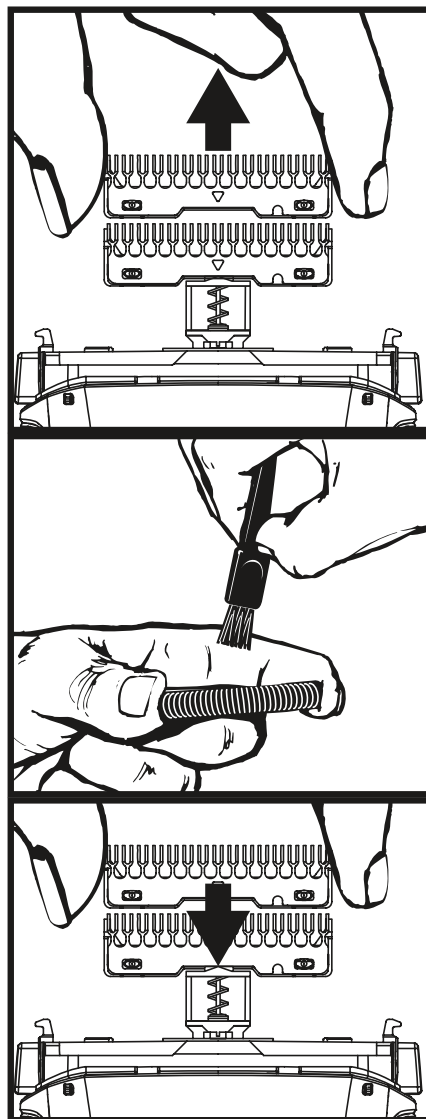
Warning: Handle cutting components with care to avoid personal injury.

NOTE: If you do not hold the cutter bar as shown, brushing the blades could result in damage to the assembly.

When the foil head and cutter bars are removed from the shaver, an alternate cleaning method is to rinse them under running water. Simply let them air dry.

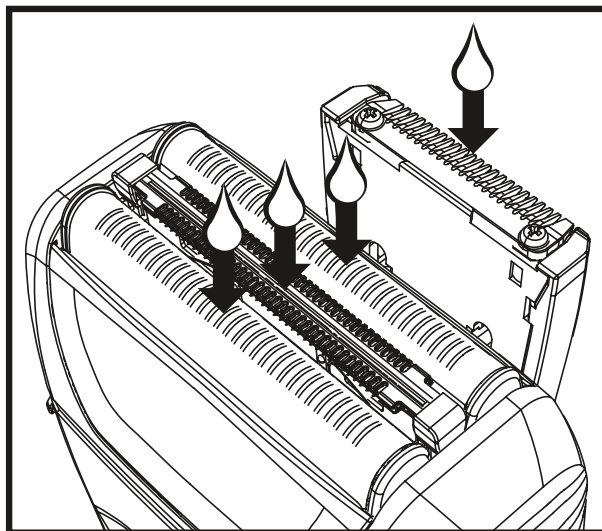
After cleaning, replace the cutter bars by pressing down gently. Carefully replace the foil head, snapping it into place.

From time to time, depending on the density of your beard, you will need to replace the cutters and foils. If you notice that it is taking you longer to shave, or if your face starts to feel some irritation, or if the foil seems to become warm to the touch, it is probably time to replace the cutters and foils. Replace the cutters and foils only with WAHL parts (Yellow: 7045-100, Silver: 7045-400, Black Chrome: 7045-700).



CLEANING & OILING FOILS

Clean with the included brush. For best results, put one or two drops of Wahl Clipper oil on the foils and pop-up trimmer blades only when necessary, or approximately once a month. Motor bearings are permanently lubricated—do not attempt to oil.



When oiling your foils, turn the shaver “ON - I,” hold the unit with the blades facing DOWN and squeeze one or two drops of oil onto the blades. Keep the unit on for ten seconds. Wipe off excess oil with soft cloth.

NOTICE—DO NOT OVER OIL!

Excessive oiling or application of liquids will cause damage if allowed to seep back into motor.

FOIL & BLADE CARE

Shaver blades have precision-hardened, ground and lapped cutting teeth. Foils, cutter bar, and blades should be handled carefully and never bumped or used to cut dirty or abrasive material.

STORAGE

Before storing your shaver, use the cleaning brush to whisk any loose hairs from the unit, foils, cutter bar, and blades. Store unit in such a manner so that blades are protected from damage.

When the shaver is not in use, the shaver foil/blade guard attachment should be in place to protect the blades.

This appliance should be stored in a manner where it is not subjected to crushing, heating above 100°C (212°F), or incineration.

CORD CARE

The cord should not be used to pull the shaver. Freedom of movement needs to be maintained. Care should be used to keep the cord untwisted and undamaged.

When stored, the cord should be coiled and replaced neatly in its original package or storage pouch.

SERVICE AND REPAIR

If you have problems with your shaver, send it prepaid with a note explaining the problem to:

Wahl Clipper Corporation
Attn: Repair Department
3001 Locust Street
Sterling, IL 61081
Telephone (800) 767-9245

For products purchased outside the United States, contact your distributor.

60 Day Money Back Guarantee!

If for any reason within 60 days of purchase of your Wahl® shaver you are not satisfied with your shaver and would like a refund, just return your shaver, together with the sales receipt, to the retailer from whom you purchased it. Wahl will reimburse all retailers who accept shavers within 60 days of purchase. If you have any questions regarding this money-back guarantee, please call 1-800-767-9245 in the United States.

GUARDE ESTAS INSTRUCCIONES Solamente Para Uso Residencial CAMBIO DE LA PILA DE LITIO ION, DESECHO DE LA RASURADORA Y RECICLAJE:

- Para cambiar la pila, envíele toda la rasuradora intacta a: Wahl Annex 3001 North Locust, P.O. Box 578, Sterling, IL 61081
- No intente sacar la pila. Las pilas de litio ion pueden explotar, incendiarse o causar quemaduras si se desarman, se dañan o las exponen al agua o altas temperaturas.
- Si decide no cambiar la pila, debe desechar toda la rasuradora. No intente sacar la pila para desecharla. Las pilas de litio ion están sujetas a reglamentos de desechos locales. Muchos lugares prohíben el desecho en recipientes de basura corrientes. Consulte las leyes y reglamentos locales.
- Para el reciclaje, contacte a la agencia de reciclaje gubernamental, el servicio de basuras, el comerciante minorista o las fuentes de reciclaje en línea, tal como www.batteryrecycling.com o www.rbr.org.

USO MOJADO Y SECO

NOTA: No sumerja la rasuradora en más de 3 pies (91 cm) de agua durante más de 30 minutos para evitar que el agua llegue a los componentes electrónicos. La garantía quedará anulada si la rasuradora se sumerge más allá de este límite.

La rasuradora Wahl está diseñada para ser a prueba de agua y de duchas. Esto le permite utilizar su rasuradora Wahl en la ducha o en el lavabo sin preocupaciones, y facilita su limpieza bajo agua corriente.

NOTA: La rasuradora es para uso mojado y seco. La rasuradora no funcionará mientras el cable está conectado, para mayor seguridad.

CONSEJOS PARA USAR POR PRIMERA VEZ

Si es la primera vez que va a utilizar una rasuradora eléctrica, probablemente necesitará acondicionar la piel para esta nueva técnica de rasurar. Empiece en la parte más fácil de rasurar de su rostro, generalmente en la parte de su cara debajo de su oído. Rasúrese con gentileza y use exclusivamente su rasuradora por tres o cuatro semanas, o por más tiempo si su piel es sensible o si su pelo facial crece en diferente dirección en ciertas partes de su rostro. **Al principio sus rasuradas no serán tan perfectas como lo desearía, y la piel puede irritarse un poco.** Sin embargo, al continuar usando la rasuradora, obtendrá en el tiempo indicado unas rasuradas perfectas.

Si ha dejado pasar varios días sin rasurarse y si su barba está un poco larga, use la recortadora oculta para rebajar todos los pelos más largos y permitirle después al cabezal que corra suavemente y obtener una rasurada limpia.

Si anteriormente ha usado otro tipo de rasurada eléctrica, es posible que tenga que transcurrir un cierto período de acondicionamiento antes de obtener los mejores resultados.

CONSEJOS RÁPIDOS Y COSAS PARA RECORDAR

1. Si es la primera vez que utiliza una rasuradora eléctrica, o ha utilizado una rasuradora eléctrica de otra marca, su cara y su barba necesitarán de un período de ajuste de 2 a 3 semanas (o menos) para adaptarse al nuevo cabezal.
2. Cuando abra el empaque, cargue su rasuradora por un hora antes de utilizarla por primera vez o hasta la carga es completo.
3. Cambie el cabezal con lámina y las barras cortadoras cada 12 meses o si la lámina está dañada. Puede ordenar láminas de repuesto en <https://home.wahl.com>.
4. Asegúrese de limpiar la rasuradora, el ensamblaje de la barra cortadora y el cabezal cada tres o cuatro rasuradas.
5. Utilice la recortadora para cortar los cabellos largos.
6. Siga utilizando la rasuradora y se dará cuenta como su rostro y su barba se adaptan a la rasuradora.

SEGURO DE VIAJE

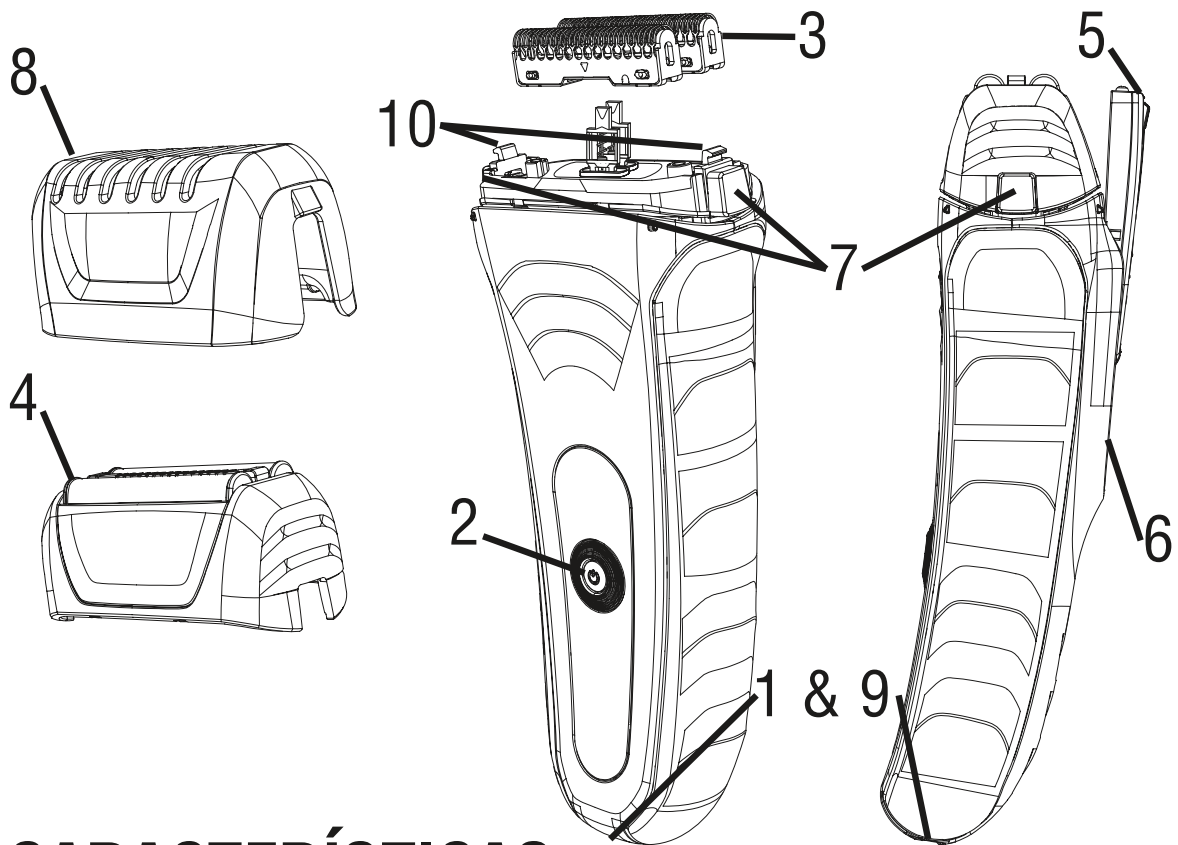
La rasuradora Serie 07061 de Wahl incluye un seguro electrónico de viaje que evita que se encienda accidentalmente mientras se transporta.

Mantenga oprimido el botón de encendido durante 3 segundos para activar el seguro de viaje.

Mantenga oprimido el botón de encendido durante 3 segundos para desactivar el seguro de viaje.

Cuando el seguro de viaje esté activo, oprimir el botón de encendido hará que los LED parpadeen por 1 segundo.

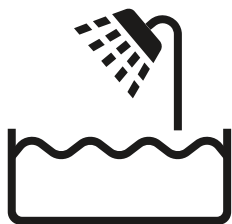
NOTA: El rastrillo se puede cargar incluso si el seguro de viaje está activado. Cuando el seguro de viaje está activado, y el rastrillo está cargado, entonces se desconecta del transformador y el seguro de viaje se desactiva.



CARACTERÍSTICAS

- | | |
|---|---|
| 1. Enchufe | 6. Interruptor de Abrir y Cerrar la Recortadora de Pelos Largos |
| 2. Interruptor de Encendido/ Apagado (On/Off) | 7. Botón de Desenganche del Cabezal de la Rasuradora |
| 3. Ensamblaje de la Barra Cortadora | 8. Protector del Cabezal |
| 4. Cabezal Flex Foil | 9. Contactos del Cargador |
| 5. Recortadora de Pelos Largos | |

Nota: Quite la etiqueta del LED antes de usarla por primera vez.



Este símbolo, que se encuentra en la rasuradora, indica que es apta para su uso en el baño y en la ducha.

CÓMO RECARGAR LA RASURADORA

No es posible cargar la rasuradora en exceso por lo que puede cargarla tanto como lo desee. Sin embargo, recargando la rasuradora periódicamente, en vez de continuamente, prolongará la vida útil de su batería.

MODELOS CON 1 LED

Cargue cuando la rasuradora parezca perder la potencia o funcionar más lento. El LED de carga se encenderá mientras se carga. El LED se apagará cuando la carga esté completa.

MODELOS CON 2 LED

El LED rojo parpadeará por un segundo al apagar la rasuradora cuando necesite carga (debajo del 10%).

El LED azul se encenderá mientras está cargando. El LED se apagará cuando la carga esté completa.

MODELOS CON 5 LED

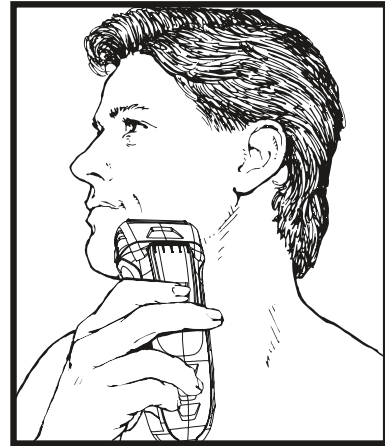
El medidor con LED mostrará la cantidad de carga que le queda a la rasuradora. Mientras menos luces tenga encendidas, menos carga tiene la batería.

El LED rojo parpadeará por un segundo al apagar la rasuradora cuando necesite carga (debajo del 10%).

Mientras se carga, el medidor con LED mostrará el avance de la carga. Todos los LED se apagarán cuando la carga esté completa.

MÉTODO PARA LOGRAR UN RASURADO RÁPIDO Y AL RAS

Sugerimos que limpie y seque por completo su piel antes de rasurarse. Para lograr máxima velocidad y eficiencia, sujete la rasuradora de modo que ambas rejillas estén en contacto con la piel. Cuando se rasura por encima del labio superior o en el cuello, sujete la rasuradora de modo que la rejilla superior esté en contacto con la piel.

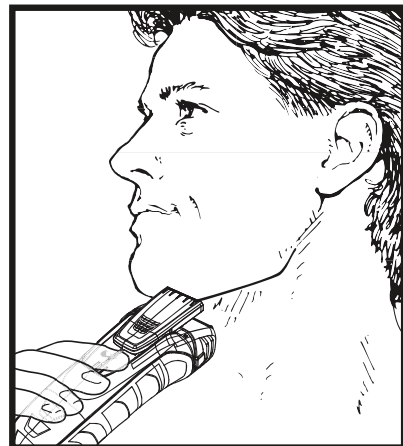


Rasúrese la barba tanto en el sentido de su crecimiento como en sentido contrario, y estire la piel antes de pasar la máquina. Mueva **suavemente** los cabezales dobles a uno y otro lado, principalmente en contra del sentido de crecimiento de la barba. **No presione las rejillas contra su cara.** Presionar demasiado la afeitadora puede dañar la hoja, lo cual afectaría la afeitada.

Coloque siempre el protector de la hoja para evitar daños a los cabezales dobles cuando la rasuradora esta apagado.

RASURADO DE BARBAS POBLADAS

Empiece rasúrandose la zona de la barba que esté menos poblada. Mueva la rasuradora en forma circular en una pequeña zona de la cara (esto para cortar los pelos que crecen en diferentes direcciones). Cuando se haya rasurado completamente esta zona pequeña, mueva la rasuradora gradualmente a una zona nueva sin abandonar el movimiento circular.



Siga avanzando en pequeñas áreas hasta terminar de rasurar toda su cara.

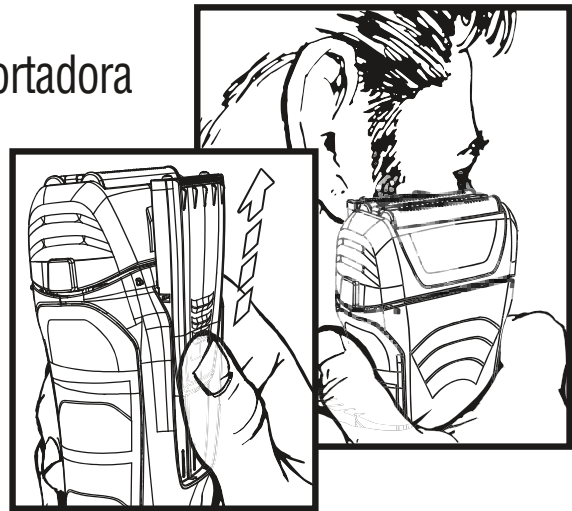
Si ha dejado crecer la barba por más de 3 días, use primero la recortadora de pelo largo para reducir el tamaño de la barba hasta que parezca como si fuera de un solo día de crecimiento, antes de pasar las hojas.

OPERACIÓN DE LA RECORTADORA DE-PELOS LARGOS

Su rasuradora cuenta con una recortadora especial de pelo largo que se encuentra en la parte trasera de la rasuradora y que se proyecta hacia arriba desde el cabezal con lámina para recortar con precisión y facilidad las patillas, barbas o bigotes, y para eliminar cabellos largos del cuello. Además, según

se mencionó anteriormente, se puede usar para rebajar la barba espesa antes de rasurarse con el cabezal.

Para usarla, quite el protector de la hoja y simplemente empuje hacia arriba el interruptor de la recortadora de pelo largo hasta que la misma quede en posición (se escuchará un “clic”). Ponga el interruptor en la posición de Encendido. Después empiece a recortar y dar forma.



LIMPIEZA Y MANTENIMIENTO CUIDADO DEL CABEZAL DE LA AFEITADORA

Para un máximo rendimiento, recomendamos que limpie la rasuradora regularmente después de usarla unas cuantas veces.

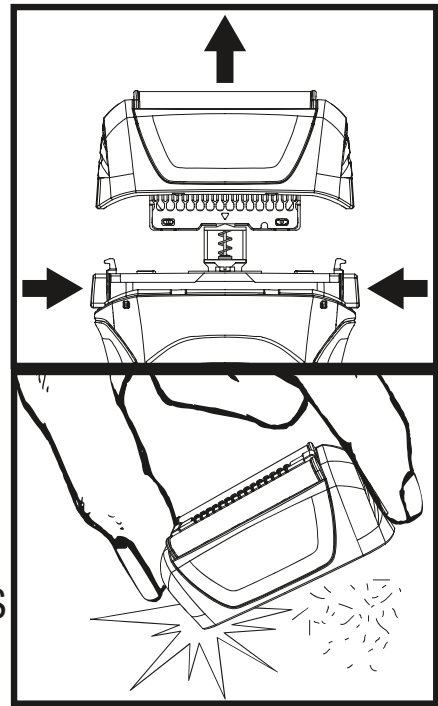
Si utiliza crema o gel de afeitar, enjuague con agua tibia después de cada uso. Cualquier otro tipo de servicio, que no sea el reemplazo del cabezal foil y las barras cortadoras, debe ser llevado a cabo por un Centro de Servicio autorizado para las Rasuradoras de Wahl, o por Wahl Clipper Corporation (en la garantía encontrará la dirección correspondiente).

Para limpiar la rasuradora, apáguela (coloque el interruptor en Off) y quite el cabezal foil empujando los botones de desenganche del mismo a unos lados de la rasuradora y moviendo hacia arriba el cabezal de la hoja.

Golpee ligeramente el lado abierto del cabezal foil contra una

superficie dura para expulsar la mayoría de los residuos capilares. **Tenga cuidado de no golpear la hoja.**

Para limpiar con más facilidad, puede enjuagar su rasuradora con agua. Aunque las láminas pueden enjuagarse, recomendamos quitar el cabezal con lámina y enjuagar las barras cortadoras. Esto permitirá eliminar todos los cabellos que sigan en las barras cortadoras. Si deja el cabezal con lámina puesto mientras enjuaga, será más difícil que se eliminen los cabellos.

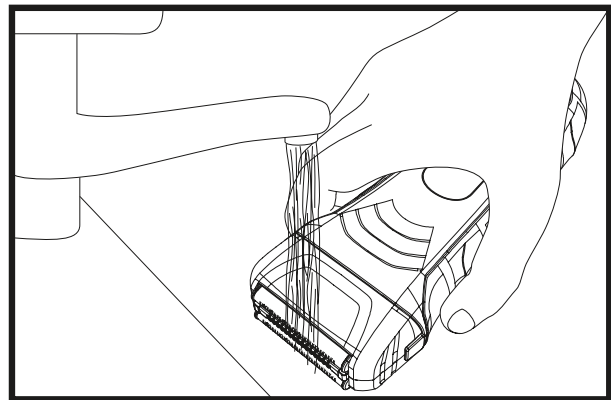


PARA REMOVER EL ENSAMBLAJE DE LA BARRA CORTADORA

Apague la rasuradora. Retire el cabezal de la hoja y, mientras sostiene la afeitadora con una mano, levante cuidadosamente la barra de la cortadora. Asegúrese de sujetarlo colocando el pulgar y el índice a ambos extremos de la barra cortadora.

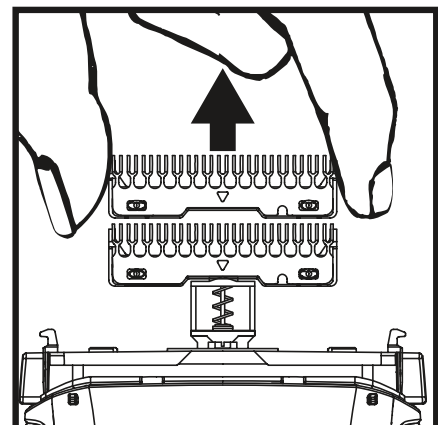
Advertencia: Maneje los componentes de corte con cuidado para evitar lesiones.

NOTA: Si no sujeta la barra cortadora según se indica, puede causar daños a la misma al cepillar las hojas.



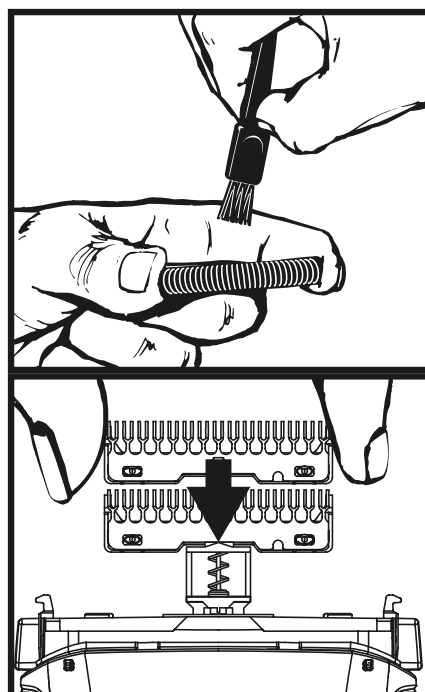
Cuando el cabezal foil y las barras cortadoras se han quitado de la rasuradora, pueden ser enjuagados con agua bajo la llave, esto le da una alternativa de limpieza. Después déjelos secar al aire libre.

Después de limpiar la rasuradora, vuelva a poner las barras cortadoras apretándolas suavemente hacia abajo.



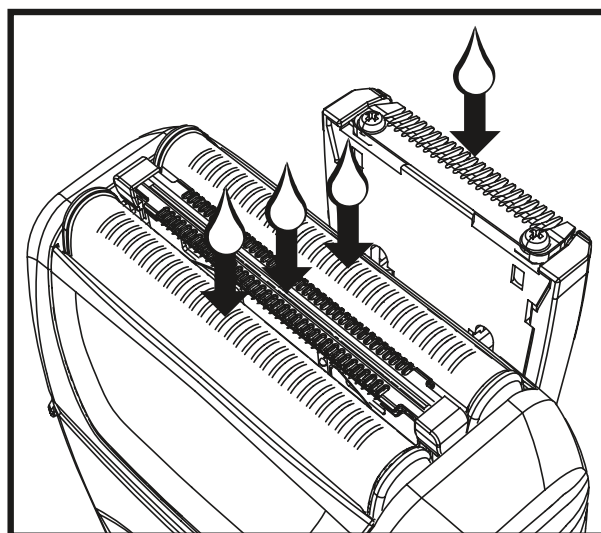
Instale con cuidado el cabezal foil encájandolo a presión.

Después de un período de uso, y dependiendo de la densidad de su barba, usted necesitará reemplazar la barra cortadora y los cabezales. Si usted nota que le toma más tiempo el rasurarse, o si su cara se irrita, o si el cabezal se calienta, es probable que necesite reemplazar la barra cortadora y los cabezales. Solamente utilice piezas WAHL (Amarillo: 7045-100, Plateado: 7045-400, Negro Cromado: 7045-700).



LIMPIEZA & LUBRICACIÓN DE LÁMINAS

Límpielas con el cepillo incluido. Para lograr resultados óptimos, coloque una o dos gotas de aceite para cortadora de Wahl en las láminas y las cuchillas de recorte emergentes solo cuando sea necesario o aproximadamente una vez al mes. Los cojinetes del motor están lubricados permanentemente. No trate de lubricarlos.



Cuando lubrique sus láminas, coloque el rastrillo en posición de encendido (“ON – I”), sostenga la unidad con las cuchillas mirando hacia ABAJO y escurra una o dos gotas de aceite en las cuchillas. Mantenga la unidad encendida durante diez segundos. Limpie el exceso de aceite con un paño suave.

AVISO: ¡NO LUBRIQUE EXCESIVAMENTE!

La lubricación o aplicación de líquidos excesiva causará daños si se deja que se filtre y llegue al motor.

CUIDADO DE LA LÁMINA Y LAS CUCHILLAS

Las hojas de la rasuradora tienen dientes de corte endurecidos con precisión, rectificadas y pulidas. La lámina, la barra cortadora y las cuchillas deben manipularse con cuidado y nunca deben golpearse o usarse para cortar material sucio o abrasivo.

ALMACENAMIENTO

Antes de guardar la rasuradora, use el cepillo de limpieza para retirar cualquier vello suelto de la unidad, las láminas, la barra cortadora y las cuchillas. Guarde la unidad de tal manera que las hojas estén protegidas contra los daños.

Cuando la rasuradora no esté en uso, el accesorio protector de láminas y cuchillas de la rasuradora debe estar colocados de forma que se protejan las cuchillas.

Este aparato se debe guardar de manera que no sea sometido a aplastamiento, calentamiento a más de 100°C (212°F) o incineración.

CUIDADO DEL CABLE

No utilice el cable para tirar de la rasuradora. Es necesario mantener la libertad de movimiento. Mantenga el cable libre de torceduras. Cuando guarde la rasuradora, el cable debe estar amarrado y colocado en su paquete original o bolsa.

SERVICIO Y REPARACIÓN

Si tiene problemas con la rasuradora, envíela con franqueo prepagado y una nota explicando el problema a:

Wahl Clipper Corporation
Attn: Repair Department
3001 Locust Street • P.O. Box 578
Sterling, IL 61081
Teléfono (800) 767-9245

Para productos comprados fuera de Estados Unidos, póngase en contacto con su distribuidor.

GARNATÍA 60 DIAS PARA DEVOLUCIÓN DE SU DINERO

Si por cualquier razón entre los 60 días de la compra de su rasuradora de Wahl no está satisfecho con su compra y desea una devolución de su dinero, regrese la recortadora junto con su recibo de compras a la tienda donde lo compro. Wahl reembolsará a las tiendas quienes acepta las rasuradoras entre los 60 días de su compra. Si tiene preguntas tocantes esta Garantía, por favor llámanos al 1-800-767-9245 en los Estados Unidos.

GARANTÍA LIMITADA DE 5 AÑOS

Válida en EE. UU. Solamente

Si su producto Wahl no funciona de forma satisfactoria durante un período de cinco (5) años contados a partir de la fecha original de compra o de recibirlo como regalo, Wahl reparará o reemplazará el producto a su criterio y se lo devolverá SIN CARGO. **No devuelva este producto a la tienda donde fue adquirido.** Los productos que necesiten ser reparados conforme a esta garantía deben enviarse con franqueo pagado a la siguiente dirección o llame al

1-800-767-9245 para obtener asistencia:

Wahl Clipper Corp.

Attn: Repair Department

3001 Locust Street

Sterling, Illinois 61081

Cuando envíe un correo, incluya una nota que describa el defecto y la fecha original en que se compró o se recibió como regalo. Los productos fuera de garantía se repararán aplicando nuestros cargos de reparación estándar.

Esta garantía no cubre los productos dañados por las siguientes causas:

1. Modificación o reparación efectuada por otra persona que no pertenezca a Wahl Clipper Corporation ni a un centro de servicio autorizado por Wahl;
2. Uso comercial (no de consumidor) o no razonable.

Esta garantía le otorga derechos legales específicos y usted también puede tener otros derechos que varían en cada estado. No se otorga ninguna otra garantía explícita por escrito. No se asume responsabilidad alguna por daños indirectos o consecuentes de cualquier tipo, ni por el uso de accesorios no autorizados. Algunos estados pueden prohibir la exclusión o la limitación de daños indirectos o consecuentes, de modo que esta limitación puede no aplicarse a su caso. Garantía sólo válida en EE. UU. Fuera de EE. UU., consulte en la tienda sobre la garantía del distribuidor autorizado de Wahl.

Para mas informacion o Registracion de Producto
visite **WahlUSA.com**