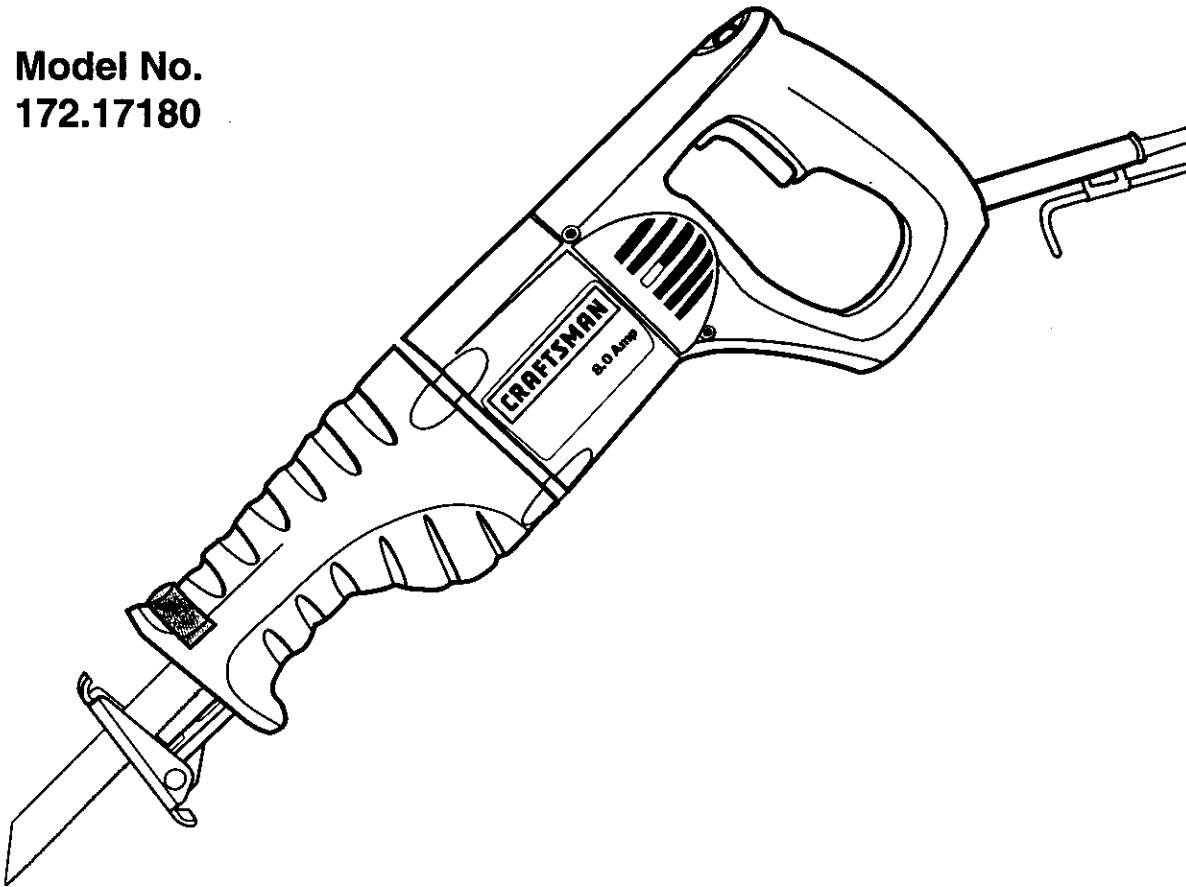


Owner's Manual

CRAFTSMAN®

Reciprocating Saw Variable Speed Double Insulated

Model No.
172.17180



CAUTION: Read, understand and follow all Safety Rules and Operating Instructions in this manual before using this product.

- SAFETY
- OPERATION
- MAINTENANCE
- ESPAÑOL, PGS. 00-00

Sears, Roebuck and Co., Hoffman Estates, IL 60179 U.S.A.

TABLE OF CONTENTS

Warranty.....	Page 2
Safety Instructions.....	Pages 3-7
Safety Symbols.....	Page 7
Description.....	Page 8
Operation.....	Pages 8- 11
Maintenance.....	Pages 12-13
Accessories.....	Page 13
Service Numbers.....	Back Cover

FULL ONE YEAR WARRANTY ON CRAFTSMAN RECIPROCATING SAW

If this CRAFTSMAN Reciprocating Saw fails to give complete satisfaction within one year from the date of purchase, **RETURN IT TO THE NEAREST SEARS STORE IN THE UNITED STATES**, and Sears will replace it, free of charge. If this CRAFTSMAN Reciprocating Saw is used for commercial or rental purposes, this warranty applies for only 90 days from the date of purchase.

This warranty gives you specific legal rights, and you may also have other rights which vary from state to state.

Sears, Roebuck and Co., Dept. 817 WA, Hoffman Estates, IL 60179

SAVE THESE INSTRUCTIONS!
READ ALL INSTRUCTIONS!

SAFETY INSTRUCTIONS

⚠ WARNING: BE SURE to read and understand all instructions. Failure to follow all instructions listed below may result in electric shock, fire and/or serious personal injury.

WORK AREA SAFETY

1. **ALWAYS keep your work area clean and well lit.** Cluttered benches and dark areas invite accidents.
2. **DO NOT operate power tools in explosive atmospheres, such as in the presence of flammable liquids, gases, or dust.** Power tools create sparks which may ignite the dust or fumes.
3. **ALWAYS keep bystanders, children, and visitors away while operating a power tool.** Distractions can cause you to lose control.

ELECTRICAL SAFETY

1. **Double insulated tools are equipped with a polarized plug (one blade is wider than the other.) This plug will fit in a polarized outlet only one way. If the plug does not fit fully in the outlet, reverse the plug. If it still does not fit, contact a qualified electrician to install a polarized outlet. Do not change the plug in any way.**
2. Double insulation eliminates the need for the three wire grounded power cord and grounded power supply system. Applicable only to Class II (double insulated) tools.
3. Before plugging in the tool, **BE SURE** that the outlet voltage supplied is within the voltage marked on the tool's data plate. **DO NOT** use "AC only" rated tools with a DC power supply.
4. **ALWAYS avoid body contact with grounded surfaces, such as pipes, radiators, ranges and refrigerators.** There is an increased risk of electric shock if your body is grounded.
5. **If operating the power tool in damp locations is unavoidable, ALWAYS use a Ground Fault Circuit Interrupter to supply power to your tool. ALWAYS wear electrician's rubber gloves and footwear in damp conditions.**
6. **DO NOT expose power tools to rain or wet conditions.** Water entering a power tool will increase the risk of electric shock.
7. **DO NOT abuse the cord. NEVER use the cord to carry the tools or pull the plug from the outlet. Keep cord away from heat, oil, sharp edges or moving parts. Replace damaged cords immediately.** Damaged cords increase the risk of electric shock.

SAFETY INSTRUCTIONS cont.

ELECTRICAL SAFETY cont.

8. When operating a power tool outside, **ALWAYS** use an outdoor extension cord marked "W-A" or "W." These cords are rated for outdoor use and reduce the risk of electric shock.

NOTE: The extension cord must have adequate wire size AWG (American Wire Gauge) for safe, efficient use. Smaller gauge wires, have greater capacity (16 gauge wire has more capacity than 18 gauge wire).


PERSONAL SAFETY

1. **ALWAYS** stay alert, watch what you are doing and use common sense when operating a power tool. **DO NOT** use tool while tired or under the influence of drugs, alcohol, or medication. A moment of inattention while operating power tools may result in serious personal injury.
2. **ALWAYS** dress properly. **DO NOT** wear loose clothing or jewelry. Pull back long hair. Keep your hair, clothing, and gloves away from moving parts. Loose clothes, jewelry, or long hair can be caught in moving parts.
3. **ALWAYS** avoid accidental starting. **BE SURE** switch is in the "Off" position before plugging in. **DO NOT** carry tools with your finger on the switch. Carrying tools with your finger on the switch or plugging in tools that have the switch in the "On" position invites accidents.
4. **ALWAYS** remove adjusting keys or wrenches before turning the tool on. A wrench or a key that is left attached to a rotating part of the tool may result in personal injury.
5. **DO NOT** overreach. **ALWAYS** keep proper footing and balance at all times. Proper footing and balance enables better control of the tool in unexpected situations.
6. **ALWAYS** use safety equipment. Always wear eye protection. Dust mask, non-skid safety shoes, hard hat, or hearing protection must be used for appropriate conditions

SAFETY INSTRUCTIONS cont.

TOOL USE AND CARE SAFETY

1. **ALWAYS use clamps or other practical ways to secure and support the workpiece to a stable platform.** Holding the work by hand or against your body is unstable and may lead to loss of control.
2. **DO NOT force tool. Use the correct tool and blade for your application.** The correct tool and blade will do the job better and safer at the rate for which it is designed.
3. **DO NOT use tool if switch does not turn it “On” or “Off”.** Any tool that cannot be controlled with the switch is dangerous and must be repaired.
4. **ALWAYS disconnect the plug from the power source before making any adjustments, changing accessories, or storing the tool.** Such preventive safety measures reduce the risk of starting the tool accidentally.
5. **ALWAYS store idle tools out of reach of children and other untrained persons.** Tools are dangerous in the hands of untrained users.
6. **ALWAYS maintain tools with care. Keep cutting tools sharp and clean.** Properly maintained tools with sharp cutting edges are less likely to bind and are easier to control.
7. **ALWAYS check for misalignment or binding of moving parts, breakage of parts, and any other condition that may affect the tool’s operation. If damaged, have the tool serviced before using.** Many accidents are caused by poorly maintained tools.

 **WARNING:** USE OF ACCESSORIES THAT ARE NOT RECOMMENDED FOR USE WITH THIS TOOL MAY CREATE A HAZARDOUS CONDITION.

8. **ALWAYS use only accessories that are recommended for this tool.** Accessories that may be suitable for one tool can become hazardous when used on another tool.

SAFETY INSTRUCTIONS cont.

SERVICE SAFETY

- 1. If any part of this saw is missing or should break, bend, or fail in any way; or should any electrical component fail to perform properly: ALWAYS shut off the power switch and remove the saw plug from the power source and have the missing, damaged or failed parts replaced BEFORE resuming operation.**
- 2. Tool service must be performed only at a Sears Service Center.** Service or maintenance performed by unqualified personnel could result in a risk of injury.

ADDITIONAL SPECIFIC SAFETY RULES

- 1. Know your power tool. Read operator's manual carefully. Learn the applications and limitations, as well as the specific potential hazards related to this tool.** Following this rule will reduce the risk of electric shock, fire or serious injury.
- 2. ALWAYS hold tool by insulated gripping surfaces when performing an operation where the cutting tool may contact hidden wiring or its own cord.** Contact with a "live" wire will make the exposed metal parts of the tool "live" and shock the operator.
- 3. ALWAYS keep your hands away from cutting area. DO NOT reach under the material being cut because the nearness of the blade to your hand is hidden from your sight.**
- 4. DO NOT use dull or damaged blades.** Bent blades can break easily, or cause kickback.
- 5. ALWAYS wear safety glasses or eye shields when using this saw. ALWAYS wear a dust mask or respirator for applications which generate dust.**
- 6. ALWAYS protect your lungs. Wear a face mask or dust mask if the operation is dusty.** Following this rule will reduce the risk of serious personal injury.
- 7. ALWAYS protect your hearing. Wear hearing protection during extended periods of operation.** Following this rule will reduce the risk of serious personal injury.
- 8. ALWAYS inspect and remove all nails from lumber before sawing.** Following this rule will reduce the risk of serious personal injury.
- 9. SAVE THESE INSTRUCTIONS. Refer to them frequently and use them to instruct others who may use this tool. If someone borrows this tool, make sure they have these instructions also.**

SAFETY INSTRUCTIONS cont.

ADDITIONAL SPECIFIC SAFETY RULES cont.

⚠ WARNING: Some dust particles created by power sanding, sawing, grinding, drilling and other construction jobs contain chemicals known to cause cancer, birth defects or other reproductive harm. Some examples of these chemicals are:

- Lead from lead-based paints.
- Crystalline silica from bricks and cement and other masonry products.
- Arsenic and chromium from chemically-treated lumber.

Your risk from these exposures varies, depending upon how often you do this type of work. To reduce your exposure to these chemicals:

- Work in a well-ventilated area.
- Work with approved safety equipment, such as those dust masks that are specially designed to filter out microscopic particles.



⚠ WARNING: The operation of any saw can result in foreign objects being thrown into your eyes, which can result in severe eye damage. Before beginning power tool operation, **ALWAYS** wear safety goggles or safety glasses with side shield and a full face shield when needed. We recommend a Wide Vision Safety Mask for use over eyeglasses or standard safety glasses with side shield, both available at Sears Retail Stores.

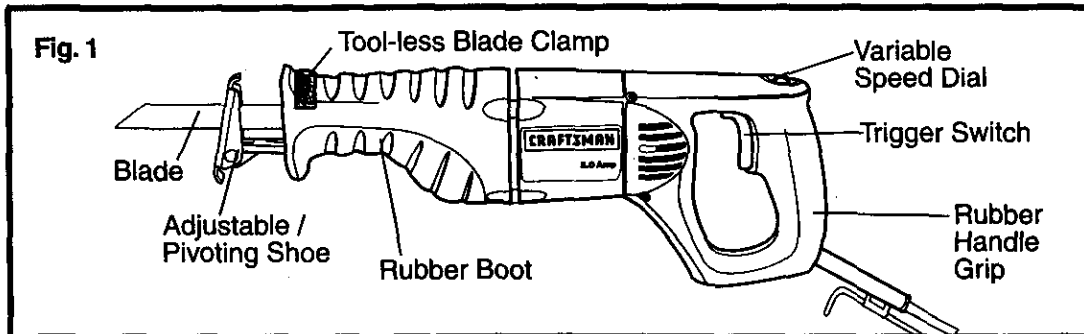
The label on your tool may include the following symbols.

V.....	Volts
A.....	Amperes
Hz.....	Hertz
W.....	Watts
min.....	Minutes
~	Alternating current
====	Direct current
no	No-load speed
☐	Class II construction
.../min.....	Revolutions or reciprocation per minute
⚠	Indicates danger, warning caution. It means attention!!! Your safety is involved.

IMPORTANT! READ ALL INSTRUCTIONS

DESCRIPTION

Your 8.0-amp reciprocating saw has many built-in convenience features for fast, efficient cutting. These features include a variable speed dial that allows you to change the speeds for cutting a variety of materials. An adjustable/pivoting shoe for maximum control in a variety of cuts and an easy-to-grip rubber boot. The tool-less blade clamp has easy lever action for extra fast blade changes.



PRODUCT SPECIFICATIONS

Input	8.0 Amps
Blade Stroke	1 ¹ / ₈ in.
Blade Type	1/2 in. Universal Shank
Rating	120 volts, 60 Hz AC
No-load Speeds	0 to 2400 SPM

OPERATION

Before attempting to use any tool, be sure to familiarize yourself with all the operating features and safety instructions.

⚠ WARNING: IF ANY PARTS ARE MISSING, DO NOT OPERATE THIS SAW UNTIL THE MISSING PARTS ARE REPLACED. FAILURE TO DO SO COULD RESULT IN POSSIBLE SERIOUS PERSONAL INJURY.

⚠ CAUTION: DO NOT let familiarity with your saw make you careless. Remember that a careless fraction of a second is sufficient to cause severe injury.

⚠ CAUTION: ALWAYS wear eye protection while operating this power tool.

USING THE VARIABLE SPEED DIAL

Variable speed provides increased cutting versatility. Simply rotate the dial from the slowest setting (1) to the highest setting (6) depending upon the material being cut.

OPERATION cont.

Choosing the Correct Speed

The speed you use will depend on the type of materials that you are cutting:

1. Use high speeds for cutting wood.
2. Medium speed is best for non-ferrous materials.
3. Low speed is recommended for cutting metal.

NOTE: Material thickness and blade selection will also affect your speed selection. As a general rule, as the material thickness increases, the speed should be slower.

⚠ CAUTION: Use a very slow speed when beginning a cut. Then increase speed once the cut is started. Prolonged use at a very slow speed may damage your saw.

BLADE INSTALLATION AND REMOVAL

This saw is designed to use all 1/2-in. universal shank blades.

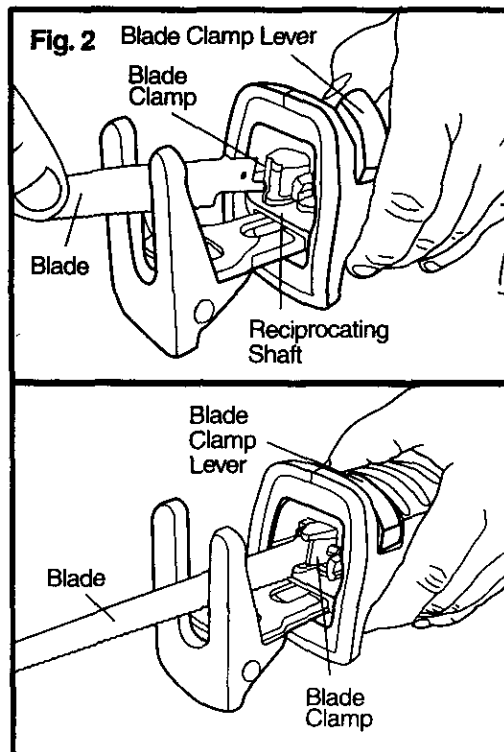
⚠ WARNING: To prevent personal injury, **ALWAYS** disconnect the plug from power source **BEFORE** assembling parts, making adjustments or changing blades.

To Install Blade (Figure 2)

1. Disconnect saw from power source.
2. If necessary, extend the adjustable/pivoting shoe away from the blade clamp for easier access.
3. Push blade clamp lever up with your thumb, as shown
4. Insert the blade into the saw's blade clamp and make sure that blade attaches to the blade nub inside clamp.
5. Push down blade clamp lever to make sure blade is locked securely in place.

To Remove Blade

1. Disconnect saw from power source.
2. If necessary, extend the adjustable/pivoting shoe away from the blade clamp for easier access.
3. Push blade clamp up with your thumb.
4. Pull the blade out of the blade clamp.



OPERATION cont.

THE SLIDING / PIVOTING SHOE (Figure 3)

The shoe slides in or out to adjust the depth of cut to material being cut for maximum control and longer blade life.

To Slide Shoe In or Out: (See Fig. 3)

1. Use the Allen wrench (included) to loosen the 2 screws on bottom of saw housing.
2. Slide shoe in or out to the depth of cut that you desire and retighten both screws.

NOTE: The shoe also pivots to provide maximum control against the surface being cut.

To Pivot Shoe: (See Fig. 3)

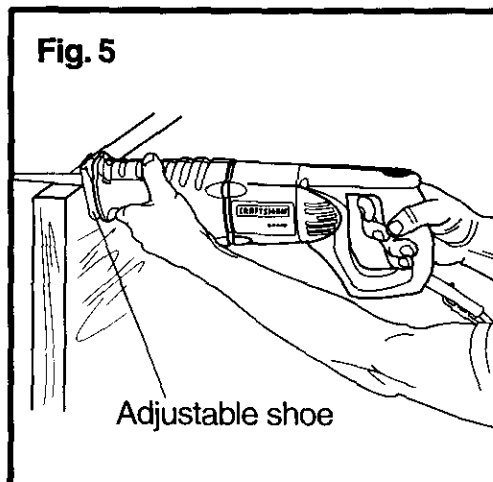
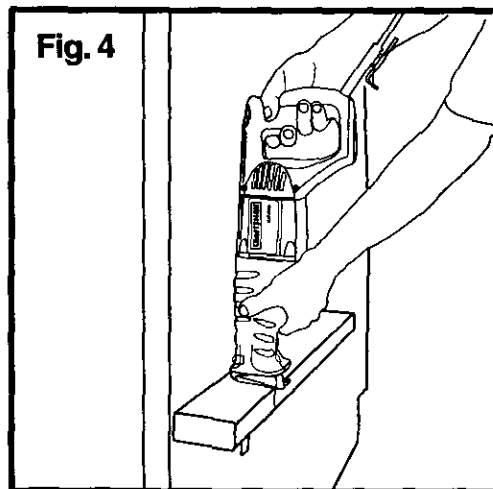
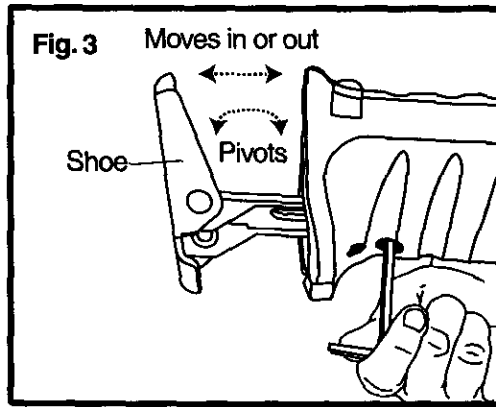
1. Firmly hold saw and then pivot shoe to desired position.

FLUSH CUTTING (Figure 4)

1. Use the blade installed teeth up. The compact design of the motor housing and the adjustable/pivoting shoe on this saw allows you to make extremely close cuts in floors, corners and other extremely tight areas.
2. To obtain the maximum flush cutting capability of this saw, make sure that the shoe is in its closest position to the saw housing. And the teeth of the blade are facing as close as possible to the work surface.

WOOD CUTTING (Figure 5)

1. **ALWAYS** clamp the workpiece down to prevent it from slipping.
2. Place the adjustable shoe and the blade lightly against the surface to be cut.
3. Turn on saw and allow it to come to full speed before applying pressure to the workpiece.
4. **ALWAYS** hold the saw firmly with both hands while cutting. Whenever possible, hold the adjustable shoe firmly against the material to be cut. This will prevent the saw from jumping or vibrating and help minimize blade breakage.



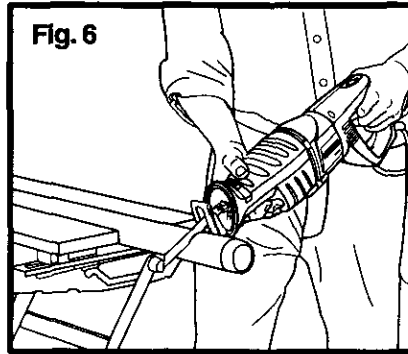
NOTE: Wear gloves if cutting for long periods.

OPERATION cont.

METAL CUTTING (Figure 6)

This saw has different metal cutting capacities depending upon the type of blade being used and metal being cut.

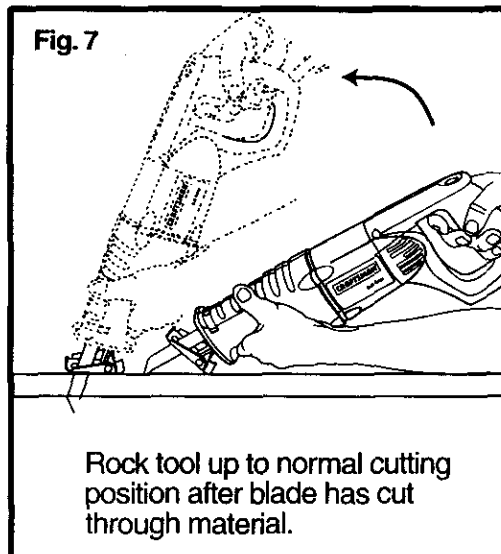
1. **ALWAYS** clamp the work down to prevent it from slipping.
2. Use a finer blade for ferrous metals and a coarse blade for non-ferrous metals.
3. When cutting thin gauge sheet metals, **ALWAYS** clamp wood on both sides of the sheet. This will give you a clean cut without excess vibration or tearing of the metal.
4. **DO NOT** force the cutting blade. Forcing the blade will reduce blade life and cause the blade to break.



NOTE: We recommend that you spread a thin film of oil or other coolant along the line of cut ahead of the saw. This will allow easier operation and help extend blade life. When cutting aluminum, use kerosene.

POCKET CUTTING: Wood Only (Figure 7)

1. Measure the surface area to be cut and mark it clearly using a pen, pencil or chalk.
2. Install a pocket cutting blade into saw.
3. Tip the saw backwards until the back edge of the adjustable shoe is resting on the work surface.
4. To avoid breaking the blade, start the saw and use the slowest speed to begin the cut. Then gradually increase the speed as you start to cut.
5. Hold the saw handle firmly and begin to make a slow, deliberate upward swing with the handle of the saw.
6. The blade will begin to feed into the material.
7. **ALWAYS** be sure that the blade is completely through the material before continuing with the pocket cut.



NOTE: In areas where blade visibility is limited, use the edge of the saw guard as a guide.

MAINTENANCE

SERVICE

⚠ WARNING: Preventive maintenance performed by unauthorized personnel may result in misplacing of internal wires and components, which could cause a serious hazard.

1. Tool service **MUST BE** performed only by a Sears Service Center. Service or maintenance performed by unqualified personnel could result in a risk of injury.

IMPORTANT NOTE: All service that requires opening the saw should only be performed at a Sears Service Center.

2. When servicing a tool, **ALWAYS** use only identical replacement parts. Follow instructions in the Maintenance Section of this manual. Use of unauthorized parts or failure to follow Maintenance Instructions may create a risk of electric shock or injury.

TOOL LUBRICATION

Your CRAFTSMAN Reciprocating Saw has been properly lubricated and is ready to use.

1. In two to six months, depending on use, take your tool to the nearest Sears Service Center for a complete cleaning, inspection and lubrication.
2. Tools used constantly on production jobs will need lubrication more often.
3. Tools that haven't been used for long periods of time should be lubricated before you use them.


WHEN SERVICING, USE ONLY IDENTICAL REPLACEMENT PARTS

⚠ WARNING: To avoid accidents, **ALWAYS** disconnect the tool from the power source **BEFORE** cleaning or performing any maintenance.

MAINTENANCE cont.

CLEANING

 **WARNING:** To avoid accidents, **ALWAYS** disconnect the tool from the power source **BEFORE** cleaning or performing any maintenance.

 **CAUTION:** Certain cleaning agents and solvents cause damage to the plastic parts. These include gasoline, carbon tetrachloride, chlorinated cleaning solvents, ammonia and household detergents that contain ammonia.

1. Use a clean cloth to remove dirt, carbon dust, etc.
2. Electric tools are subject to accelerated wear and possible premature failure when they are used to work on fiber glass boats, sports cars, etc. The fiber glass chips and grindings are highly abrasive to electrical tool parts, such as bearings, brushes, commutators, etc. Consequently, it is not recommended that this tool be used for extended work on fiber glass. During any use on fiber glass, it is extremely important that the tool is cleaned frequently with compressed air.

 **WARNING:** **ALWAYS** wear safety goggles when cleaning tools with compressed air.

IMPORTANT:

To assure product **SAFETY** and **RELIABILITY**, repairs, maintenance and adjustment **MUST** be performed by a Sears Service Center.

ACCESSORIES

The following recommended accessories are currently available at your local Sears Store.

BLADES

Sears has a large selection of reciprocating saw blades in a variety of lengths and teeth per inch that are ideal for a wide variety of cutting needs. Choose blades for cutting wood only, blades for metal cutting only and general-purpose blades that cut wood or metal.

EXTENSION CORDS

Sears offers a large selection of extension cords that help extend your working range.

 **WARNING:** The use of attachments or accessories that are not recommended might be dangerous.

Manual del propietario

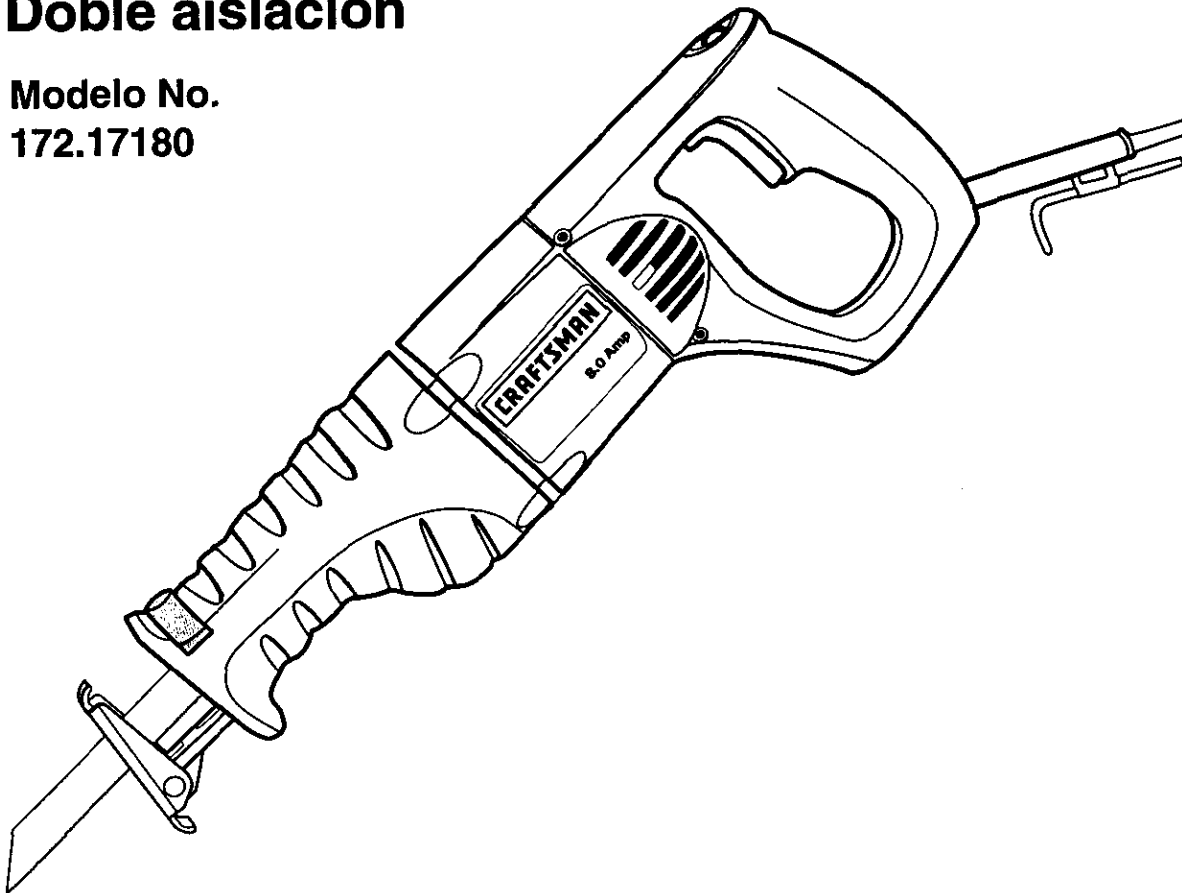
CRAFTSMAN®

Sierra de Movimiento Alternativo

Velocidad variable

Doble aislación

Modelo No.
172.17180



PRECAUCIÓN: Lea, comprenda y siga las reglas de seguridad e instrucciones operativas de este manual, antes de usar el producto.

- SEGURIDAD
- OPERACIÓN
- MANTENIMIENTO

Sears, Roebuck and Co., Hoffman Estates, IL 60179 EE.UU.

TABLA DE CONTENIDOS

Garantía.....	Página	16
Instrucciones de Seguridad.....	Páginas	17-21
Símbolos de Seguridad.....	Página	21
Descripción.....	Página	22
Funcionamiento.....	Páginas	22-25
Mantenimiento.....	Páginas	26-27
Accesorios.....	Página	27
Números de Servicio.....	Contraportada	

UN AÑO DE GARANTÍA SOBRE LA SIERRA DE MOVIMIENTO ALTERNATIVO CRAFTSMAN.

Si esta sierra de movimiento alternativo Craftsman dejara de proporcionar completa satisfacción dentro del año a partir de la fecha de su compra, **DEVUÉLVALA AL COMERCIO SEARS MÁS CERCANO A SU DOMICILIO DENTRO DE LOS ESTADOS UNIDOS**, y Sears la reemplazará libre de costos. Si esta sierra de movimiento alternativo Craftsman fuera utilizada para propósitos comerciales o de alquiler, esta garantía solo tendrá validez por 90 días a partir de la fecha de compra.

Esta garantía le otorga derechos legales específicos y aún podrá usted tener otros derechos que podrían variar entre estados.

Sears, Roebuck and Co. Dep. 817WA. Hoffman Estates, IL 60179.

¡CONSERVE ESTAS INSTRUCCIONES!
¡LEA TODAS LAS INSTRUCCIONES!

INSTRUCCIONES DE SEGURIDAD

⚠ ADVERTENCIA: ASEGURESE de leer y comprender todas las instrucciones. El incumplimiento de todas las instrucciones siguientes podría producir un choque eléctrico, incendio y/o lesiones personales graves.

SEGURIDAD DEL AREA DE TRABAJO

1. **SIEMPRE** mantenga el lugar de trabajo limpio y bien iluminado. Los bancos de trabajo desordenados y mal iluminados favorecen los accidentes.
2. **NO** utilice las herramientas eléctricas en una atmósfera explosiva, tal como en presencia de líquidos inflamables, gases o polvo. Las herramientas eléctricas crean chispas que pueden inflamar el polvo o los vapores.
3. **SIEMPRE** mantenga a los espectadores, niños o visitantes a una distancia prudente cuando esté utilizando una herramienta eléctrica. Las distracciones pueden hacerle perder el control.

SEGURIDAD ELECTRICA

1. Las herramientas con aislamiento doble están equipadas con un enchufe polarizado (una hoja de contacto es más ancha que la otra.) Este enchufe puede ponerse en un tomacorriente polarizado en una sola dirección. Si el enchufe no calza bien en el tomacorriente, invierta el enchufe. Si todavía no calza, contacte a un electricista calificado para que instale un tomacorriente adecuado. **NO** modifique el enchufe de ninguna manera.
2. El aislamiento doble elimina la necesidad del cordón eléctrico trifilar puesto a tierra y del sistema de alimentación de energía puesto a tierra. Esto se aplica sólo a las herramientas de Clase II (de doble aislamiento)
3. Antes de enchufar la herramienta, **ASEGURESE** que el interruptor de voltaje corresponde al indicado en la placa de información de la herramienta. **NO USE** "CA solamente" en herramientas que dicen CC.
4. **SIEMPRE** evite el contacto del cuerpo con las superficies puestas a tierra tales como tuberías, radiadores, cocinas y refrigeradores. Existe mayor riesgo de sufrir choque eléctrico si su cuerpo está a tierra.
5. Si no puede evitar usar su herramienta en lugares húmedos, **SIEMPRE** use un Interruptor de Circuito de Falla a Tierra para proporcionar energía a su herramienta. En ambientes húmedos use siempre guantes de electricista y calzado.
6. **NO** exponga las herramientas eléctricas a la lluvia ni a ambientes húmedos. Cuando entra agua a una herramienta eléctrica, se aumenta el riesgo de sufrir un choque eléctrico.
7. **NO** abuse del cordón eléctrico. **NUNCA** transporte la herramienta por el cordón ni tire del cordón para desenchufarla. Mantenga el cordón alejado del calor, del aceite, bordes afilados o piezas móviles. **Reemplace inmediatamente los cordones eléctricos dañados.** Los cordones dañados aumentan el riesgo de sufrir un choque eléctrico.

INSTRUCCIONES DE SEGURIDAD cont.

SEGURIDAD ELECTRICA cont.

8. Cuando utilice una herramienta eléctrica al aire libre, **SIEMPRE** use un cordón de extensión marcado "W-A" o "W". Estos cordones están aprobados para uso al aire libre y reducen el riesgo de choque eléctrico.

NOTA: El cordón de extensión debe tener el tamaño de alambre adecuado AWG (American Wire Gauge) para uso eficiente y seguro. Los alambres de calibre más pequeño tienen mayor capacidad (el alambre de calibre 16 tiene más capacidad que el alambre de 18).

SEGURIDAD PERSONAL

1. **SIEMPRE** Manténgase alerta, observe lo que está haciendo y use sentido común cuando esté usando una herramienta. **NO USE** la herramienta cuando esté cansado o bajo la influencia de drogas, alcohol o medicamentos. Un momento de distracción cuando está trabajando con las herramientas eléctricas, puede ocasionar una lesión personal grave.
2. **SIEMPRE** vístase adecuadamente. **NO** use ropas sueltas o joyas. **Amárrese el cabello largo. Mantenga su cabello, ropas y guantes alejados de las piezas móviles.** Las ropas sueltas, las joyas o el cabello largo pueden quedar atrapados en las piezas móviles.
3. **SIEMPRE** evite la puesta en marcha accidental. **ASEGURESE** de que el interruptor esté en posición "Off" (Apagado) antes de enchufarla. **NO** transporte las herramientas con su dedo en el interruptor. Si transporta las herramientas con su dedo en el interruptor o si enchufa las herramientas que tengan el interruptor en la posición "On" (Encendido) se favorecen los accidentes.
4. **SIEMPRE** saque las llaves de ajuste o llaves inglesas antes de poner en marcha la herramienta. Si se deja una llave inglesa o una llave de ajuste en una pieza móvil de la herramienta, se puede producir una lesión personal.
5. **NO** use la herramienta a una distancia demasiado alejada. **Mantenga SIEMPRE un buen equilibrio y una posición firme.** El buen equilibrio y la posición firme permiten un mejor control de la herramienta en situaciones imprevistas.
6. **SIEMPRE** use equipo de seguridad. Use **SIEMPRE** lentes protectores. Se debe usar máscaras contra el polvo, zapatos de seguridad antirresbaladizos, casco de seguridad o protección auditiva de acuerdo con las circunstancias.

INSTRUCCIONES DE SEGURIDAD cont.

USO Y CUIDADO DE LAS HERRAMIENTAS DE SEGURIDAD

- 1. SIEMPRE use mordazas u otro método práctico para asegurar y apoyar la pieza de trabajo en una plataforma estable.** Si sujeta el trabajo con la mano o contra su cuerpo queda inestable y puede conducir a la pérdida de control.
- 2. NO fuerce la herramienta. Use la herramienta apropiada para el trabajo.** La herramienta correcta hará el trabajo mejor y de manera más segura, a la velocidad para la cual fue diseñada.
- 3. NO use la herramienta si el interruptor no funciona debidamente.** Es peligroso si la herramienta no puede ser controlada con el interruptor y por lo tanto debe ser reparada.
- 4. SIEMPRE desenchufe la herramienta antes de hacer algún ajuste, cambiar accesorios o guardarla.** Estas medidas preventivas de seguridad reducen el riesgo de que la herramienta se ponga en marcha accidentalmente.
- 5. SIEMPRE guarde las herramientas lejos del alcance de los niños y de otras personas inexpertas.** Las herramientas son peligrosas en manos de personas inexpertas.
- 6. SIEMPRE mantenga bien cuidadas las herramientas. Las herramientas cortantes deben mantenerse afiladas y limpias.** Las herramientas que se mantienen bien cuidadas y bien afiladas tienen menos probabilidad de atascarse y se pueden controlar más fácilmente.
- 7. SIEMPRE verifique si hay piezas desalineadas o atascadas, si hay piezas quebradas o si existe cualquier otra situación que pueda afectar el funcionamiento de la herramienta.** Si la herramienta está dañada, debe repararse antes de usarla nuevamente. Muchos accidentes son causados debido al mal estado de las herramientas.

 **ADVERTENCIA:** EL USO DE ACCESORIOS NO RECOMENDADOS PARA SER USADOS CON ESTA HERRAMIENTA PUEDEN CREAR UNA SITUACION PELIGROSA

- 8. SIEMPRE use solamente los accesorios recomendados por el fabricante para su modelo.** Los accesorios adecuados para una herramienta, pueden ser peligrosos si se utilizan en otra herramienta.

INSTRUCCIONES DE SEGURIDAD cont.

SERVICIO TECNICO SEGURO

- 1. Si falta o se rompe, se dobla o falla alguna pieza de esta sierra o si alguno de los componentes eléctricos no funciona en forma debida, SIEMPRE apague el interruptor, desenchufe la sierra de la fuente de alimentación y haga reemplazar la piezas faltantes, dañadas o defectuosas ANTES de volver a ponerla en funcionamiento.**
- 2. La reparación de la herramienta debe ser efectuada solamente en un Centro de Servicio Sears.** La reparación o mantenimiento efectuado por personal no especializado puede causar una lesión.

REGLAS DE SEGURIDAD ADICIONALES ESPECIFICAS

- 1. Conozca su herramienta. Lea cuidadosamente el manual del usuario. Aprenda sus aplicaciones y limitaciones así como también los riesgos potenciales específicos relacionados con esta herramienta.** Si se cumple esta regla se reducirá el riesgo de un choque eléctrico, incendio o lesión grave.
- 2. SIEMPRE sostenga la herramienta por la superficie de sujeción aislada cuando la herramienta de corte pueda tener contacto con alambrado escondido o con su propio cordón.** Si la herramienta tiene contacto con un alambre bajo "tensión" las piezas de metal expuestas de la herramienta también quedarán bajo "tensión" y el operador puede sufrir un choque eléctrico.
- 3. SIEMPRE mantenga sus manos alejadas del área donde está cortando.** No trate de alcanzar el material cortado porque mientras más se acerca su mano a la hoja, se aleja de su vista.
- 4. NO use hojas en malas condiciones.** Las hojas dobladas pueden romperse o devolverse con facilidad.
- 5. Use SIEMPRE lentes protectores o pantallas de seguridad cuando use esta sierra. SIEMPRE use una mascarilla para el polvo o respirador para las aplicaciones que producen polvo.**
- 6. SIEMPRE proteja sus pulmones. Utilice una máscara contra el polvo si la operación de corte va a despedir mucho polvo.** El cumplimiento de esta regla reducirá el riesgo de sufrir una lesión personal grave.
- 7. SIEMPRE proteja su audición. Utilice protección para los oídos durante períodos prolongados de funcionamiento.** El cumplimiento de esta regla reducirá el riesgo de sufrir una lesión personal grave.
- 8. SIEMPRE inspeccione y saque todos los clavos de la madera antes de usar la sierra.** El cumplimiento de esta regla reducirá el riesgo de sufrir una lesión personal grave.
- 9. CONSERVE ESTAS INSTRUCCIONES. Consúltelas con frecuencia y úselas para ayudar a otros que puedan usar esta herramienta. Si usted presta esta herramienta a otra persona, entregue también las instrucciones.**

INSTRUCCIONES DE SEGURIDAD cont.

REGLAS DE SEGURIDAD ADICIONALES ESPECIFICAS cont.

⚠ ADVERTENCIA: Algunas partículas de polvo creadas al lijar con una herramienta, moler, taladrar y hacer otros trabajos de construcción contienen químicos que se sabe pueden producir cáncer, defectos al nacer u otros daños reproductivos. Algunos ejemplos de estos químicos son:

- Plomo de las pinturas a base de plomo.
- Sílice cristalino a partir de ladrillos y cemento y otros productos de albañilería.
- Arsénico y cromo a partir de maderas tratadas con químicos

Su riesgo a estas exposiciones varía, dependiendo de la frecuencia con que hace este tipo de trabajo. Para reducir su exposición a estos químicos:

- Trabaje en un área bien ventilada.
- Trabaje con equipo de seguridad aprobado, como por ejemplo máscaras para polvo diseñadas específicamente para filtrar las partículas microscópicas.



⚠ ADVERTENCIA!: La utilización de cualquier sierra puede causar la proyección de objetos extraños a sus ojos, lo cual puede ocasionar daños oculares severos. Antes de comenzar a usar la herramienta mecánica, **SIEMPRE** use sus lentes protectores o pantallas de seguridad con protección lateral y una máscara completa cuando sea necesario. Recomendamos una Máscara de Visión Amplia para usar sobre sus lentes protectores o lentes de seguridad estándar, con protección lateral, disponible en los Almacenes Sears.

La etiqueta en su herramienta puede incluir los siguientes símbolos.

V.....	Voltios
A.....	Amperios
Hz.....	Hertz
W.....	Watts
min.....	Minutos
~.....	Corriente Alterna
====.....	Corriente Continua
no.....	Velocidad sin carga
☐.....	Construcción Clase II
.../min.....	Revoluciones o Golpes por Minuto
OPM.....	Orbitas por Minuto
⚠.....	Indica peligro, advertencia o atención. Puede usarse conjuntamente con otros símbolos o pictogramas.

¡IMPORTANTE! ¡LEA TODAS LAS INSTRUCCIONES!

DESCRIPCION

Su sierra alternativa de 8 amps. has many built-in convenience features for fast, efficient cutting. These features include a variable speed dial that allows you to change the speeds for cutting a variety of materials. An adjustable/pivoting shoe for maximum control in a variety of cuts and an easy-to-grip rubber boot. La abrazadera de la hoja no necesita herramienta, gracias a la fácil acción de palanca, lo cual permite cambios extra rápidos de las hojas.



ESPECIFICACIONES DEL DEL PRODUCTO

Alimentación	8 Amps.
Largo de la carrera	1/8 pulg.
Tipo de hoja	1/2 pulg. vástago universal
Potencia nominal	120 voltios, 60 Hz CA
Velocidad sin carga	0 to 2400 CPM

FUNCIONAMIENTO

Antes de tratar de usar cualquier herramienta, familiarícese con todas las características de funcionamiento y con las instrucciones de seguridad.

⚠ ADVERTENCIA: SI FALTA CUALQUIERA DE LAS PIEZAS, NO HAGA FUNCIONAR ESTA SIERRA HASTA QUE LAS PIEZAS FALTANTES NO HAYAN SIDO REEMPLAZADAS. DE LO CONTRARIO SE PUEDE CAUSAR UNA POSIBLE LESION PERSONAL GRAVE.

⚠ ATENCION: NO permita que su familiaridad con la sierra interfiera con su atención y prudencia. Recuerde que un descuido de una fracción de segundo puede causar una lesión grave.

⚠ CUIDADO: SIEMPRE use protección para los ojos mientras usa esta herramienta

USO DEL SELECTOR DE VELOCIDAD VARIABLE

La velocidad variable ofrece mayor versatilidad de corte. Simplemente gire el selector desde el ajuste más bajo (1) al ajuste más alto (6) dependiendo del material que está siendo cortado.

FUNCIONAMIENTO cont.

Selección de la velocidad correcta

La velocidad usada dependerá del tipo de materiales que está usando:

1. Use velocidades altas para cortar madera.
2. El uso de velocidad media para materiales no ferrosos es la más adecuada.
3. La velocidad baja se recomienda para cortar metal.

NOTA: El grosor del material y la selección de la hoja afectarán la selección de la velocidad. Como regla general, si el grosor del material aumenta, la velocidad debe disminuir / o ser más baja.

⚠ CUIDADO: Use la velocidad más baja cuando empiece un corte. Después aumente la velocidad una vez que inicie el corte. El uso prolongado a una velocidad muy baja puede dañar su sierra.

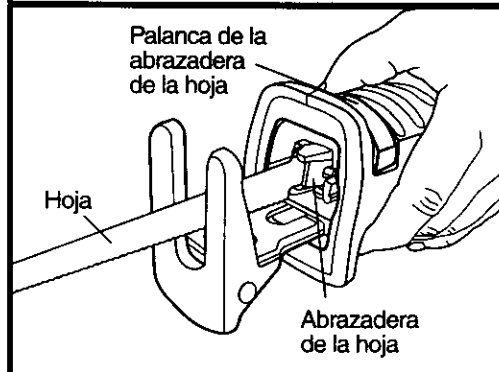
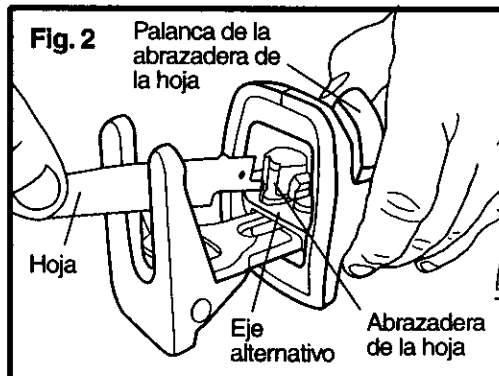
SACADO E INSTALACION DE LA HOJA

Esta sierra está diseñada para usarse con todas las hojas U-Shank de pulgada.

⚠ ADVERTENCIA: Para prevenir lesiones personales, **SIEMPRE** desenchufe **ANTES** de montar repuestos, hacer ajustes o cambiar hojas.

Para instalar la hoja (Figura 2)

1. Desenchufe la sierra.
2. Si es necesario, extienda el patín ajustable/pivoteante alejándolo de la abrazadera de la hoja para facilitar el acceso.
3. Empuje la palanca de la abrazadera de la hoja hacia arriba con el pulgar.
4. Inserte la hoja en la abrazadera y asegúrese de que quede instalada en el soporte de la hoja dentro de la abrazadera.
5. Empuje hacia abajo la palanca de la abrazadera para comprobar que la hoja quede asegurada en su lugar.



Para retirar la hoja

1. Desenchufe la sierra.
2. Si es necesario, extienda el patín ajustable/pivoteante alejándolo de la abrazadera de la hoja para facilitar el acceso.
3. Empuje la palanca de la abrazadera de la hoja hacia arriba con el pulgar.
4. Tire de la hoja para sacarla fuera de la abrazadera.

FUNCIONAMIENTO cont.

DEL PATIN GIRATORIO DESLIZANTE (Figura 3)

El patín se desliza hacia afuera o hacia adentro para ajustarse a la profundidad del corte a fin de cortar con el máximo de control y alargar la vida de la hoja.

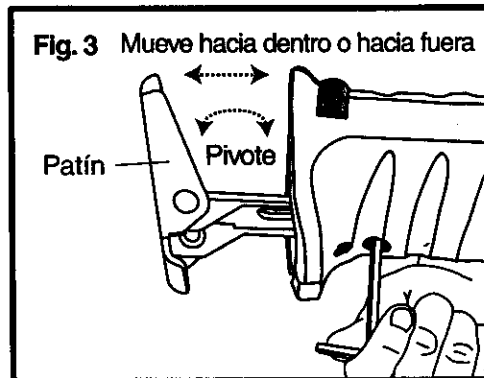
Deslizar el Patín Hacia Dentro y Hacia Fuera (Ver figura 3)

1. Use la llave Allen () para aflojar los 2 tornillos de la parte inferior de la caja de la sierra.
2. Deslice el patín hacia adentro o hacia afuera hasta la profundidad de corte deseada y vuelva a apretar ambos tornillos.

NOTA: El patín también gira para proveer control máximo en la superficie que se está cortando.

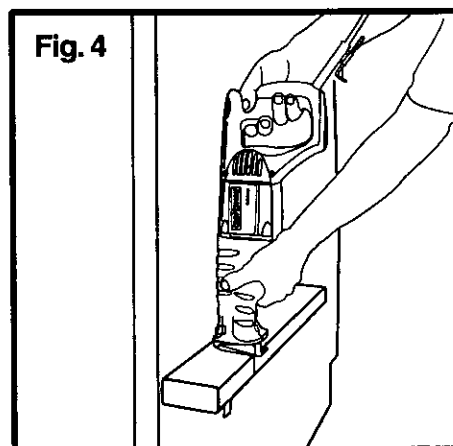
Para Hacer Girar el Patín: (Ver figura 3)

1. Sujete la sierra con firmeza para después hacer girar el patín a la posición deseada.



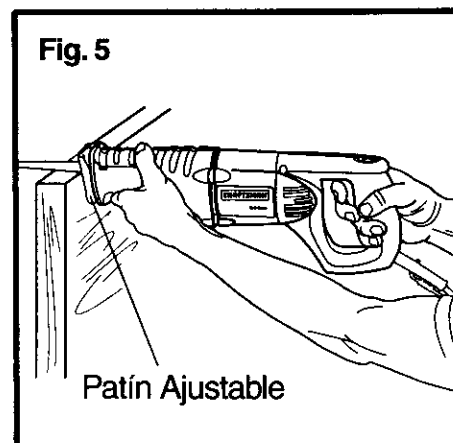
CORTE AL RAS (Figura 4)

1. El diseño compacto de la caja del motor y el patín ajustable/pivotante de esta sierra le permiten ejecutar cortes muy cercanos en pisos, esquinas y otras áreas muy estrechas.
2. Para obtener la máxima capacidad de corte al ras de esta sierra, asegúrese de que el patín esté en su posición más cercana a la caja de la sierra y que los dientes de la hoja queden dirigidos tanto como sea posible hacia la superficie de trabajo.



CORTE DE MADERA (Figura 5)

1. **SIEMPRE** ponga una mordaza en la pieza de trabajo para evitar que se resbale.
2. Coloque el patín ajustable y la hoja levemente contra la superficie a cortar.
3. Encienda la sierra y permita que alcance la máxima velocidad antes de aplicar presión a la pieza de trabajo.
4. **SIEMPRE** sostenga firmemente la sierra con ambas manos mientras corta. Siempre que sea posible, sostenga firmemente el patín ajustable contra el material a cortar. Esto evitará que la sierra salte o vibre y se reducirá a un mínimo la posibilidad de que la hoja se rompa.



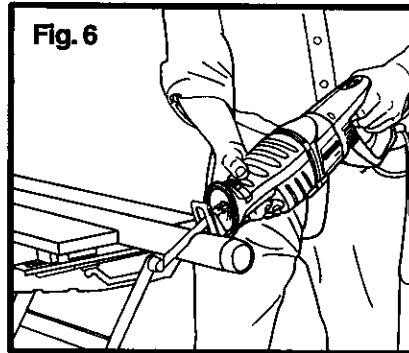
NOTA: Use guantes si va a cortar con la sierra durante períodos prolongados.

FUNCIONAMIENTO cont.

CORTE DE METALES (Figura 6)

Esta sierra tiene diferentes capacidades para cortar metales dependiendo del tipo de hoja que se está usando y del metal que se está cortando.

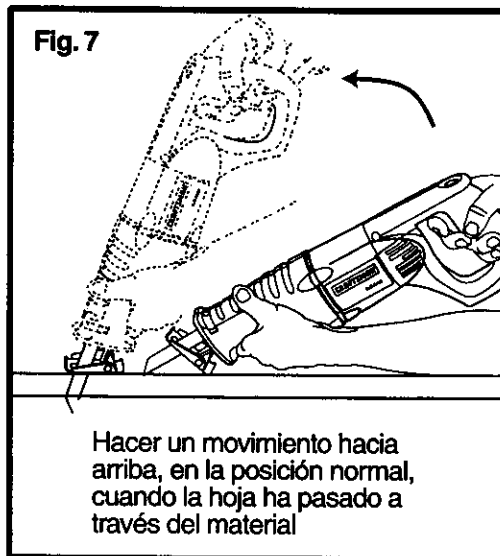
1. **SIEMPRE** use mordazas con su trabajo par evitar que se resbale.
2. Use una hoja más fina para metales ferrosos y una hoja más gruesa para metales no ferrosos.
3. Al cortar laminas delgadas de metal, **SIEMPRE** ponga madera en ambos lados de las lámina, esto resultará en un buen corte sin el exceso de vibración o desgarre del metal.
4. **NO** fuerce la hoja. Si fuerza la hoja durará menos y puede romperse.



NOTA: Le recomendamos que aplique una película delgada de aceite o un líquido refrigerante a lo largo de la línea de corte de la sierra. Esto le permitirá usarla más fácilmente y le ayudará que le dure más la hoja. Al cortar aluminio use kerosene.

CORTE DE BOLSILLOS: Sólo en Madera (Figura 7)


1. Mida la superficie a ser cortada y márquela claramente utilizando un lapicero, lápiz o tiza.
2. Instale una hoja para corte de bolsillos en la sierra.
3. Inclíne la sierra hacia atrás hasta que el borde trasero del patín ajustable descansa sobre la superficie de trabajo.
4. Para evitar romper la hoja, encienda la sierra y use la velocidad más baja para empezar a cortar. Después aumente la velocidad en forma gradual mientras empieza a cortar.
5. Sujete el mango de la sierra con firmeza y empiece a hacer un movimiento lento, hacia arriba con el mango de la sierra.
6. La hoja empezará a avanzar en el material.
7. **SIEMPRE** asegúrese que la hoja ha pasado a través del material antes de continuar con el corte de bolsillo.



NOTA: En áreas donde la visibilidad de la hoja es limitada, use el lado de la cubierta de la sierra como guía.

MANTENIMIENTO

SERVICIO

 **ADVERTENCIA:** El mantenimiento preventivo realizado por personal no autorizado puede resultar en que alambres internos y componentes sean puestos en forma equivocada, ocasionando una situación de peligro.

1. La reparación de las herramientas **DEBE SER** efectuada solamente por el Centro de Servicio Sears u otro personal calificado. La reparación o mantenimiento efectuado por personal no especializado puede causar una lesión personal

NOTA IMPORTANTE: Todo servicio que requiere abrir la sierra debe ser realizado en un Centro de Servicio Técnico Sears.

2. Cuando efectúe reparaciones a una herramienta, use **SIEMPRE** sólo repuestos legítimos. Siga las instrucciones indicadas en la sección Mantenimiento de este manual. El uso de piezas no autorizadas o el incumplimiento de las instrucciones de mantenimiento, puede crear un riesgo de choque eléctrico o lesiones.

LUBRICACION DE LA HERRAMIENTA

Su Sierra Alternativa CRAFTSMAN ha sido lubricada en forma adecuada y está lista para ser usada.

1. Dentro de 6 meses, dependiendo del uso, lleve su herramienta al Centro de Servicio Técnico Sears más cercano para una limpieza, inspección y lubricación completa.
2. Las herramientas usadas constantemente en trabajos de producción necesitarán lubricación más a menudo.
3. Las herramientas que no hayan sido usadas por periodos largos de tiempo deben lubricarse antes de ser usadas.

CUANDO REALICE REPARACIONES USE SOLO PIEZAS LEGITIMAS.

 **ADVERTENCIA:** Para evitar accidentes, **SIEMPRE** desenchufe la herramienta **ANTES** de limpiarla o hacerle mantenimiento.

MANTENIMIENTO cont.

LIMPIEZA

⚠ ADVERTENCIA: Para evitar accidentes, **SIEMPRE** desenchufe la herramienta **ANTES** de limpiarla o hacerle mantenimiento.

⚠ PRECAUCION: Ciertos agentes de limpieza y solventes pueden dañar las piezas plásticas. Estos incluyen gasolina, tetracloruro de carbón, solventes de limpieza a base de cloro, amoníaco y detergente doméstico con amoníaco.

1. Use paños limpios para sacar la suciedad, polvo de carbón, etc.
2. Las herramientas eléctricas se desgastan más rápidamente y pueden fallar prematuramente si se usan en embarcaciones de fibra de vidrio y carros deportivo, etc. Las astillas de la fibra de vidrio y residuos son altamente abrasivos para las piezas de las herramientas eléctricas, como son cojinetes, cepillos y conmutadores, etc. Por lo tanto, no se recomienda usar esta herramienta durante largo tiempo en trabajos con fibra de vidrio. Durante el uso con fibra de vidrio, es muy importante que la herramienta se limpie frecuentemente con aire comprimido.

⚠ ADVERTENCIA: **SIEMPRE** use lentes protectores de seguridad cuando limpie las herramientas con aire comprimido.

IMPORTANTE:

Para asegurar la seguridad y confiabilidad del producto, reparaciones, mantenimiento y ajustes deben ser realizados en el Centro de Servicio Técnico de Sears.

ACCESORIOS

Los siguientes accesorios recomendados están disponibles actualmente en su Almacén Sears.

HOJA

Sears tiene una gran selección de hojas de sierras alternativas en una variedad de largos y dientes por pulgada que son ideales para un sinnúmero de necesidades de cortes. Hojas para cortar madera solamente, hojas para cortar metal solamente y hojas para usos generales que cortan madera o metal.

CORDONES DE EXTENSION

Sears ofrece una gran selección de cordones de extensión que ayudan a prolongar el alcance útil.

⚠ ADVERTENCIA: El uso de accesorios o piezas que se acoplan, no recomendadas puede ser peligroso.

Your Home

**For repair in your home of all major brand appliances,
lawn and garden equipment, or heating and cooling systems,
no matter who made it, no matter who sold it!**

For the replacement parts, accessories and
owner's manuals that you need to do-it-yourself.

For Sears professional installation of home appliances
and items like garage door openers and water heaters.

1-800-4-MY-HOME® Anytime, day or night
(1-800-469-4663) (U.S.A. and Canada)
www.sears.com www.sears.ca

Our Home

For repair of carry-in products like vacuums, lawn equipment,
and electronics, call or go on-line for the nearest
Sears Parts and Repair Center.

1-800-488-1222 Anytime, day or night (U.S.A. only)
www.sears.com

To purchase a protection agreement (U.S.A.) or maintenance
agreement (Canada) on a product serviced by Sears:

1-800-827-6655 (U.S.A.) **1-800-361-6665** (Canada)

Para pedir servicio de reparación
a domicilio, y para ordenar piezas:

1-888-SU-HOGARSM
(1-888-784-6427)

Au Canada pour service en français:

1-800-LE-FOYER^{MC}
(1-800-533-6937)
www.sears.ca

SEARS

© Sears, Roebuck and Co.

® Registered Trademark / TM Trademark / SM Service Mark of Sears, Roebuck and Co.

® Marca Registrada / TM Marca de F. brica / SM Marca de Servicio de Sears, Roebuck and Co.

^{MC} Marque de commerce / ^{MD} Marque déposée de Sears, Roebuck and Co.