



WATERPROOF 3W LED SPOTLIGHT INSTRUCTION MANUAL



Intertek

Catalog Number FL3WBD

Thank you for choosing Black & Decker!
Go to www.baccusglobal.com
to register your new product.

PLEASE READ BEFORE RETURNING THIS PRODUCT FOR ANY REASON:

If you have a question or experience a problem with your purchase, go to
[HTTP://WWW.BACCUSGLOBAL.COM](http://www.baccusglobal.com)
for instant answers 24 hours a day.

If you can't find the answer or do not have access to the internet,
call 1-877-571-2391 from 9 a.m. to 5 p.m. EST, Mon. – Fri. to speak with an agent.
Please have the catalog number available when you call.

SAVE THIS MANUAL FOR FUTURE REFERENCE.

Cat. # FL3WBD
Copyright © 2013 Baccus Global LLC

July 2013
Printed in China

This device complies with part 15 of the FCC rules. Operation is subject to the following two conditions: (1) this device may not cause harmful interference, and (2) this device must accept any interference received, including interference that may cause undesired operation.

This equipment has been tested and found to comply with the limits for a Class B digital device, pursuant to part 15 of the FCC Rules. These limits are designed to provide reasonable protection against harmful interference in a residential installation. This equipment generates, uses and can radiate radio frequency energy and, if not installed and used in accordance with the instructions, may cause harmful interference to radio communications. However, there is no guarantee that interference will not occur in a particular installation. If equipment does cause harmful interference to radio or television reception, which can be determined by turning the equipment off and on, the user is encouraged to try to correct the interference by one or more of the following measures:

- Reorient or relocate the receiving antenna.
- Increase the separation between equipment and receiver.
- Connect the equipment into an outlet on a circuit different from that to which the receiver is connected.
- Consult the dealer or an experienced radio/TV technician for help.

Changes or modifications not approved by the party responsible for compliance could void user's authority to operate the equipment.

READ ALL INSTRUCTIONS

⚠ WARNING: Read all instructions before operating spotlight. Failure to follow all instructions listed below may result in electric shock, fire and/or serious injury.

SAFETY GUIDELINES / DEFINITIONS

⚠ DANGER: Indicates an imminently hazardous situation which, if not avoided, will result in death or serious injury.

⚠ WARNING: Indicates a potentially hazardous situation which, if not avoided, could result in death or serious injury.

⚠ CAUTION: Indicates a potentially hazardous situation which, if not avoided, may result in minor or moderate injury.

CAUTION: Used without the safety alert symbol indicates potentially hazardous situation which, if not avoided, may result in property damage.

RISK OF UNSAFE OPERATION. When using tools or equipment, basic safety precautions should always be followed to reduce the risk of personal injury. Improper operation, maintenance or modification of tools or equipment could result in serious injury and property damage. There are certain applications for which tools and equipment are designed. Manufacturer strongly recommends that this product NOT be modified and/or used for any application other than for which it was designed. Read and understand all warnings and operating instructions before using any tool or equipment.

IMPORTANT SAFETY INSTRUCTIONS

⚠ WARNING: This product or its power cord contains lead, a chemical known to the State of California to cause cancer and birth defect or other reproductive harm. Wash hands after handling.

INSTRUCTIONS PERTAINING TO RISK OF FIRE, ELECTRIC SHOCK, OR INJURY TO PERSONS

⚠ WARNING – WHEN USING ELECTRICAL APPLIANCES, BASIC PRECAUTIONS SHOULD ALWAYS BE FOLLOWED, INCLUDING THE FOLLOWING:

- To reduce the risk of injury, close supervision is necessary when the spotlight is used near children.
- Use only attachments recommended or sold by the manufacturer.

⚠ WARNING: TO REDUCE THE RISK OF ELECTRIC SHOCK:

- Charge indoors only. Do not expose chargers to water or any other liquid.
- Use only the charger supplied by the manufacturer to recharge.
- When an extension cord is used:

- The marked rating of the detachable power supply cord or extension cord should be at least as great as the electrical rating of this appliance.
- The cord should be arranged so that it will not drape over the countertop or tabletop where it can be tripped over, snagged, or pulled on unintentionally (especially by children).
- The extension cord should be kept dry and off the ground.

⚠ WARNING: FIRE HAZARD: Keep spotlight lamp away from materials that may burn.

⚠ CAUTION: TO REDUCE THE RISK OF INJURY OR PROPERTY DAMAGE:

- 3W LED gets hot quickly. Do not touch hot lens, guard or enclosure.
- Never place the light face down on any surface when lit, charging or not in use. Never store the light face down on any surface.
- Never look directly into the light or shine the light into another person's eyes.
- Keep sharp objects away from lens — it can crack or break.
- Do not expose this unit to extremely high temperatures.
- Do not drop or throw spotlight. It contains a nickel metal hydride rechargeable battery pack.
- Use only with AC or DC charging adapters that are provided with unit. Plug in the charging adapter at the spotlight first, then plug into the charging source.
- Do not overcharge: Recharge up to 5 hours maximum.
- After charging/recharging, disconnect charging adapter or extension cord and wait 5 minutes before use.
- Do not crush, cut, pull or expose charging adapter cords to extreme heat.
- Position charging adapter cords so they do not become entangled or become a safety hazard. Keep charging adapter cords away from sharp edges.
- Do not open body casing. There are no user-serviceable parts inside.
- Do not operate the spotlight without the lens in place.
- To reduce risk of damage to electric plug and cord, pull by plug rather than cord when disconnecting.
- Do not attempt to charge the unit if the charger is damaged – return the charger to manufacturer for repair or replacement.

INSTRUCTIONS PERTAINING TO WATERPROOF SPOTLIGHTS

The rubber “O” ring acts to preserve the waterproof qualities of the spotlight. The “O” ring contacts the end cap to prevent water from entering the gap. An undamaged rubber “O” ring, rubber bezel and lens, and proper sealing of the end cap before use are very important.

⚠ CAUTION: TO REDUCE THE RISK OF PROPERTY DAMAGE:

- Attempting to remove the rubber “O” ring; use of the unit with a damaged “O” ring, rubber bezel or lens; improper sealing of the waterproof end cap; and/or submerging this unit in depths greater than 6 feet may cause the unit to no longer be waterproof. Do not submerge the unit if these conditions exist or the unit could sustain permanent damage.
- Submerging this unit in depths greater than 6 feet and/or operating it in water temperature other than between 41°F and 104°F (5°C and 40°C) could result in leakage, warping or malfunction, causing permanent damage to the spotlight.

SAVE THESE INSTRUCTIONS

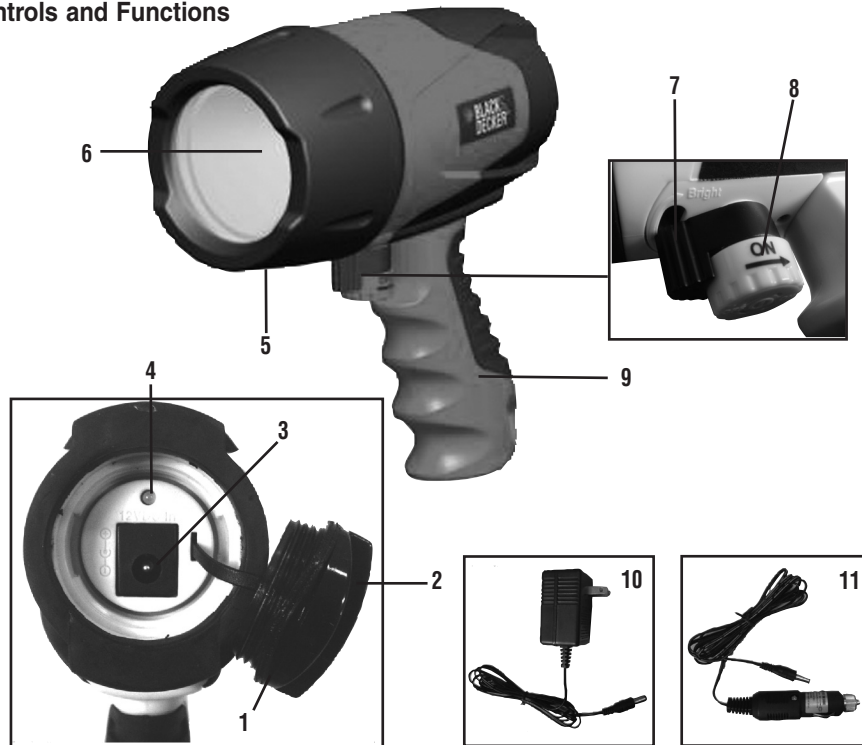
INTRODUCTION

Congratulations on purchasing your new spotlight. **Read this Instruction Manual and follow the instructions carefully before using your new spotlight.**

FEATURES

- Waterproof in depths of up to 6'
- Ultra-bright 3 watt LED beam with Dimmer Selector Knob
- Safety cap protects 12 Volt DC Charging Port
- Comfortable pistol grip
- Battery/Charge Status LED Indicator
- Rechargeable, maintenance-free NIMH battery
- Optional 12 volt DC charging adapter available

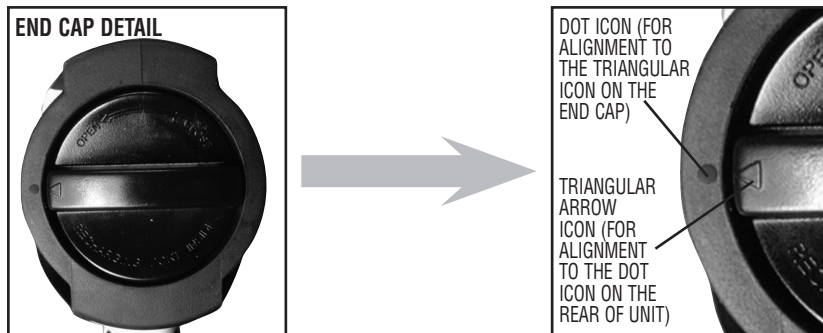
Controls and Functions



1. Rubber "O" ring
2. Translucent waterproof end cap (see detailed view on page 5)
3. 12 volt DC charging port (for use with 120 volt AC charger and 12 volt DC charger)
4. Battery/charge status LED indicator
5. Rubber bezel
6. 6.3 watt LED bulb
7. Dimmer selector knob
8. On/off power knob
9. Grip handle
10. 120 volt AC charger
11. 12 volt DC charger (optional accessory)

READING THE BATTERY/CHARGE STATUS LED INDICATOR

The battery and charging status LED indicator is located directly above the 12 volt DC charging port under the waterproof end cap on the back of the unit.



It lights or flashes in three colors to indicate the following:

When charging:

Green & Red (flashing alternately): Battery is overheated due to extensive use or recharging. The charging process will stop at this stage and will automatically resume after a cool down period of several minutes.

Green: Battery is in a fully charged state.

Orange: Battery is in a partially charged state.

Red: Battery needs to be recharged.

When operating:

Green: Battery is operating at full voltage.

Orange: Battery is operating at partial voltage.

Red: Battery is operating at low voltage, and should be recharged.

Red (flashing): Battery is operating at extremely low voltage. The built-in low voltage protection has activated and the unit will automatically shut down (after sounding several "beeps"). The unit must be recharged immediately.

When using the dimmer selector:

Green (flashing): The light is adjusting to dimmer setting.

Red (flashing): The light is adjusting to brighter setting.

CHARGING/RECHARGING THE SPOTLIGHT

This unit is shipped in a partially charged state. Charge unit after purchase and BEFORE first use using either the 120 volt AC charger or the optional 12 volt DC charger for approximately 3-5 hours. Charge after each use until the battery/charge status LED indicator lights green.

IMPORTANT: When the unit is not in use, we recommend that the battery is charged at least every 30 days.

⚠ CAUTION: TO REDUCE THE RISK OF PROPERTY DAMAGE:

- Make sure the unit is thoroughly dry before charging or recharging. If the unit has been submerged, wipe it dry with a soft cloth before opening the end cap. If water leaks into the charging port, the unit can sustain permanent damage.
- Never place the light face down on any surface when charging.
- Failure to keep the battery charged will cause permanent damage and result in poor performance.

Charging/recharging using the 120 volt AC charger

- Make sure the spotlight is turned off by rotating the on/off power knob to the furthest position clockwise.
- Unscrew (counterclockwise) the waterproof end cap on the back of the unit and remove it.
- Insert the barrel connector of the AC charger into the 12 volt DC charging port on the back of the unit. Insert the plug end into a (powered) standard North American 120 volt 60Hz outlet.
- Charge until the battery/charge status LED indicator lights green (approximately 3-5 hours).
- Replace the end cap on the unit, screwing clockwise until the triangular arrow on the end cap is pointing to the dot icon on the rear of unit. Make sure it fits securely, but do NOT overtighten.

Charging/recharging using the 12 volt DC charger (optional accessory)

- Make sure the spotlight is turned off by rotating the on/off power knob to the furthest position clockwise.
- Unscrew (counterclockwise) the waterproof end cap on the back of the unit and remove it.
- Plug the barrel tip of the supplied 12 volt DC charger into the 12 volt DC charging port.
- Insert the 12 volt DC plug end into the accessory outlet of your vehicle or other 12 volt DC power source.
- Charge until the green battery status LED lights (approximately 3-5 hours). DO NOT CHARGE FOR LONGER THAN 5 HOURS USING THIS METHOD.
- Replace the end cap on the unit, screwing clockwise until the triangular arrow on the end cap is pointing to the dot icon on the rear of unit. Make sure it fits securely, but do NOT overtighten.

Note: When using a vehicle's 12 volt DC accessory outlet as a charging source, be aware that some vehicles require you to turn on the ignition to power the accessory outlet.

⚠ WARNING: TO AVOID THE RISK OF PROPERTY DAMAGE:

NEVER CONNECT THE UNIT TO A POSITIVE GROUNDED VEHICLE.

- The 12 Volt DC Adapter must only be connected to batteries with a nominal output voltage of 12 volts. The unit will not operate from a 6 volt battery and will sustain permanent damage if connected to a 24 volt battery.

IMPORTANT NOTES:

- If either of the chargers is plugged into the spotlight while it is operating, the unit will not charge. The unit will begin charging once the spotlight is turned off.
- If either of the chargers is plugged into the spotlight while the built-in low voltage protection is activated, the unit will automatically turn off and begin charging.
- If the on/off power knob is turned on when charging, the spotlight may not operate until the charger is disconnected and the spotlight is turned off, then on again.
- Once the unit begins charging, the spotlight will not operate until the charger is disconnected.
- When the battery/charge status LED indicator lights green, a “beep” will sound to indicate the charging process is completed.

OPERATING INSTRUCTIONS

IMPORTANT NOTE: When either charger is plugged into the 12 volt DC port, the unit is in charging mode. The spotlight will not run with either of the chargers plugged in.

⚠ CAUTION: TO REDUCE THE RISK OF PROPERTY DAMAGE:

- Never operate this spotlight unless the rubber “O” ring, rubber bezel and lens are intact and properly seated; and the waterproof end cap is securely in place.
- Never operate the spotlight in areas with high strength magnetic fields, such as in the vicinity of AC power generator, etc.
- Never operate this spotlight at depths greater than 6 feet.
- Never operate this spotlight in water temperatures other than between 41°F and 104°F (5°C and 40°C).
- This spotlight is designed to operate for up to one hour under water.

Operating the spotlight

1. Disconnect from charger.
2. The on/off power knob is located in the front of the handle of the spotlight and underneath the dimmer selector knob.
3. To turn on the spotlight, rotate the on/off power knob to the furthest position counterclockwise.
4. To turn off the spotlight, rotate the on/off power knob to the furthest position clockwise.

Note: The battery/charge status LED indicator will light in one of three colors (as described in the “Reading the Battery/Charge Status LED” section) to indicate the battery status. It is visible through the translucent waterproof end cap.

Using the dimmer selector

The dimmer selector knob that adjusts the light intensity is located above the on/off power knob. Push and turn it to the left, then hold for 2 seconds to select a brighter setting. Push and turn it to the right, then hold for 2 seconds to select a dimmer setting.* A “beep” will sound twice when the spotlight has been adjusted to its minimum (dimkest) and maximum (brightest) settings.

* The battery/charge status LED indicator will flash red to indicate the light is adjusting to a brighter setting or flash green to indicate the light is adjusting to a dimmer setting.

On a single charge, the spotlight will provide steady illumination for approximately 10 hours on its minimum (dimkest) setting; approximately 1 hour on its maximum (brightest) setting.

IMPORTANT: To avoid sustaining damage, this spotlight should not be used under water for any longer than one hour.

TROUBLESHOOTING

Problem	Solution
The battery/charge status indicator LED does not light when charging	<ol style="list-style-type: none"> 1. The battery is in overheat protection after extensive use. Allow the spotlight to cool down for several minutes before recharging. 2. The spotlight will not charge when operating. Make sure the spotlight is turned off. 3. Check connection to the 12 volt DC charging port. 4. Check connection to AC or DC power source. 5. Confirm there is a functioning AC or DC current.

Problem	Solution
Unit will not operate	<ol style="list-style-type: none"> 1. The battery is in overheat protection after fully charging or recharging. Allow the spotlight to cool down for several minutes before operating. 2. The spotlight will not operate when charging. Be sure all adapters are disconnected before spotlight use. 3. The battery may be completely discharged. Charge the unit following the directions. 4. If the spotlight does not operate after recharging as directed, contact manufacturer at 877-571-2391.

CARE AND MAINTENANCE

Make sure the unit is thoroughly dry before storage. If the unit has been submerged, wipe it dry with a soft cloth.

If the unit gets dirty, gently clean the outer surfaces of the spotlight unit with a soft cloth moistened with a mild solution of water and detergent.

There are no user-replaceable parts. Periodically inspect the condition of adapters, connectors and wires. Contact manufacturer to replace any components that have become worn or broken.

All batteries lose energy from self-discharge over time and more rapidly at higher temperatures. When the unit is not in use, we recommend that the battery is charged at least every 30 days.

Battery replacement/disposal

BATTERY REPLACEMENT

The battery should last the service life of the unit. Service life is dependent on a number of factors including but not limited to the number of recharge cycles, and proper care and maintenance of the battery by the end user. Contact manufacturer for any information you may need.

SAFE BATTERY DISPOSAL

This unit contains a nickel metal hydride rechargeable battery pack, which must be disposed of properly when it will no longer retain a charge. Recycling is required, contact your local authority for information. Failure to comply with local, state and federal regulations can result in fines, or imprisonment.

Contact your local waste management authority to dispose of this product.

⚠ WARNINGS:

- Do not dispose of the battery in fire as this may result in an explosion.
- Before disposing of the battery, protect exposed terminals with heavy-duty electrical tape to prevent shorting (shorting can result in injury or fire).
- Do not expose battery to fire or intense heat as it may explode.

12 volt DC charger plug fuse replacement

The fuse in the plug end of the 12 volt DC charger protects the adapter’s charging circuit. If the 120 volt AC charger operates, but the DC charging adapter does not, then this fuse may be opened (blown).

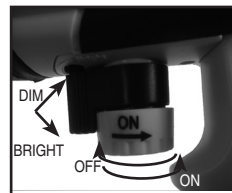
To replace the fuse:

1. Unscrew the end cap of the DC plug (counterclockwise).
2. Remove spring center contact and fuse.
3. Check fuse with a continuity checker.
4. If blown, locate a replacement 5 amp/250 volt fuse.
5. Replace the fuse, spring, contact and end cap.
6. Screw end cap clockwise until it is finger tight – DO NOT OVER-TIGHTEN.
7. Test for proper operation of the 12 Volt DC Charging Adapter.

ACCESSORIES

Recommended accessories for use with this unit may be available from the manufacturer. If you need assistance regarding accessories, please contact manufacturer at 1-877-571-2391.

⚠ WARNING: The use of any accessory not recommended for use with this appliance could be hazardous.



SERVICE INFORMATION

Whether you need technical advice, repair, or genuine factory replacement parts, contact the manufacturer at 1-877-571-2391.

FULL ONE-YEAR WARRANTY

The manufacturer warrants this product against defects in materials and workmanship for a period of ONE (1) YEAR from the date of retail purchase by the original end-user purchaser ("Warranty Period").

If there is a defect and a valid claim is received within the Warranty Period, the defective product can be replaced or repaired in the following ways: (1) Return the product to the manufacturer for repair or replacement at manufacturer's option. Proof of purchase may be required by manufacturer. (2) Return the product to the retailer where product was purchased for an exchange (provided that the store is a participating retailer). Returns to retailer should be made within the time period of the retailer's return policy for exchanges only (usually 30 to 90 days after the sale). Proof of purchase may be required. Please check with the retailer for their specific return policy regarding returns that are beyond the time set for exchanges.

This warranty does not apply to accessories, bulbs, fuses and batteries; defects resulting from normal wear and tear, accidents; damages sustained during shipping; alterations; unauthorized use or repair; neglect, misuse, abuse; and failure to follow instructions for care and maintenance for the product.

This warranty gives you, the original retail purchaser, specific legal rights and you may have other rights which vary from state to state or province to province. This product is not intended for commercial use.

Please complete the Product Registration Card and return within 30 days from purchase of the product to: Baccus Global LLC, 595 S. Federal Highway, Suite 210, Boca Raton, FL 33432. **Baccus Global LLC, toll-free number: 1-877-571-2391.**

SPECIFICATIONS

Spotlight

Bulb: 3 watt LED bulb
Battery: Maintenance-free, NiMH, 7.2 volt, 700 mAh

120 volt AC charger

Charger: ETL Listed Class 2, 12 volts DC (500mA)

Optional 12 volt DC charger

Voltage: 12 volts DC
Fuse: 5 A/250 V

Imported by Baccus Global LLC, 595 S. Federal Highway, Suite 210, Boca Raton, FL 33432
www.Baccusglobal.com 1-877-571-2391

BLACK & DECKER®

MANUAL DE INSTRUCCIONES DE LA LINTERNA DE 3W LED IMPERMEABLE



Intertek

Número de catálogo FL3WBD

¡Gracias por elegir Black & Decker!

**Visite www.baccusglobal.com
para registrar su nuevo producto.**

LEA EL MANUAL ANTES DE DEVOLVER ESTE PRODUCTO POR CUALQUIER MOTIVO:

Si tiene una consulta o algún inconveniente con su producto, visite
[HTTP://WWW.BACCUSGLOBAL.COM](http://WWW.BACCUSGLOBAL.COM)

para obtener respuestas instantáneas las 24 horas del día.

Si no encuentra la respuesta o no tiene acceso al Internet, llame al 1-877-571-2391 de
Lunes a Viernes de 9 a.m. a 5 p.m. hora del este para hablar con un agente.

Cuando llame, tenga a mano el número de catálogo.

CONSERVE ESTE MANUAL PARA FUTURAS CONSULTAS.

Nº de Catálogo: FL3WBD
Derechos Reservados © 2013 Baccus Global

Julio 2013
Impreso en China

Este dispositivo cumple con la parte 15 de las normas de la Comisión Federal de Comunicaciones de Estados Unidos (FCC). La operación está sujeta a las dos condiciones siguientes: (1) este dispositivo no puede causar interferencia perjudicial y (2) este mecanismo debe aceptar cualquier interferencia recibida, incluida la interferencia que puede provocar una operación no deseada.

Este equipo ha sido probado y se encontró que cumple con los límites para dispositivo digital Clase B, según la parte 15 de las normas de la FCC. Estos límites están diseñados para brindar protección razonable contra interferencia perjudicial en una instalación residencial. Este equipo genera, usa y puede irradiar energía en frecuencia de radio y si no se instala y se usa de acuerdo con las instrucciones, puede provocar interferencia perjudicial en las comunicaciones de radio. Sin embargo, no hay garantía de que la interferencia no ocurra en una instalación en particular. Si el equipo provoca interferencia perjudicial en la recepción de radio o televisión, lo que se puede determinar al apagar y encender el equipo, el usuario debe tratar de corregir la interferencia mediante una o más de las siguientes medidas:

- Cambiar la orientación o la ubicación de la antena de recepción.
- Aumentar la separación entre el equipo y el receptor.
- Conectar el equipo a un tomacorriente sobre un circuito diferente de aquel al que está conectado el receptor.
- Consultar al vendedor o pedir la ayuda de un técnico en radio y televisión con experiencia.

Los cambios o las modificaciones no aprobados por el partido responsable de conformidad podían anular la autoridad del usuario para funcionar el equipo.

LEA LAS INSTRUCCIONES

⚠ **ADVERTENCIA:** Lea todas las instrucciones antes de operar la linterna. El incumplimiento de todas las instrucciones enumeradas a continuación puede provocar una descarga eléctrica, un incendio o lesiones graves.

NORMAS DE SEGURIDAD / DEFINICIONES

⚠ **PELIGRO:** Indica una situación de peligro inminente que, si no se evita, provocará la muerte o lesiones graves.

⚠ **ADVERTENCIA:** Indica una situación de peligro inminente que, si no se evita, provocará la muerte o lesiones graves.

⚠ **PRECAUCIÓN:** Indica una situación de peligro potencial que, si no se evita, puede provocar lesiones leves o moderadas.

PRECAUCIÓN: Utilizado sin el símbolo de alerta de seguridad indica una situación de peligro potencial que, si no se evita, puede provocar daños a la propiedad.

RIESGO DE OPERACIÓN INSEGURA. Cuando se utilizan herramientas o equipos, siempre se deben respetar las precauciones de seguridad para reducir el riesgo de lesiones personales. La operación, el mantenimiento o la modificación incorrectos de herramientas o equipos pueden provocar lesiones graves y daños a la propiedad. Las herramientas y los equipos están diseñados para determinados usos. Fabricante recomienda encarecidamente que NO se modifique este producto y que NO se utilice para ningún otro uso que aquél para el que fue diseñado. Lea y comprenda todas las instrucciones operativas y las advertencias antes de utilizar cualquier herramienta o equipo.

INSTRUCCIONES IMPORTANTES DE SEGURIDAD

⚠ **ADVERTENCIA:** Este producto o su cable de alimentación contiene plomo, una sustancia química reconocida por el Estado de California como causante de cáncer, defectos de nacimiento u otros problemas reproductivos. Lávese las manos después de utilizarlo.

INSTRUCCIONES QUE PERTENECEN AL RIESGO DEL FUEGO, DE LA DESCARGA ELÉCTRICA, O DE LESIÓN A LAS PERSONAS

⚠ **ADVERTENCIA – AL USAR ELECTRODOMÉSTICOS, LAS PRECAUCIONES BÁSICAS SE DEBEN SEGUIR SIEMPRE, INCLUYENDO EL SIGUIENTE:**

- Para reducir el riesgo de lesiones, se recomienda la supervisión de la linterna cuando se utiliza cerca de niños.
- Utilice solamente los accesorios recomendados o vendidos por el fabricante.

⚠ **ADVERTENCIA: PARA REDUCIR EL RIESGO DE DESCARGA ELÉCTRICA:**

- Cargue bajo techo solamente. No exponga los cargadores al agua o cualquier otro líquido.
- Utilice solamente el cargador suministrado por el fabricante para recargar.

- Cuando se utiliza un cable de extensión:
 - El calibre marcado en el cable de suministro eléctrico desmontable o el cable de extensión debe ser por lo menos tan grande como la clasificación eléctrica del aparato.
 - El cable debe acomodarse de modo que no cuelgue del mostrador o mesa donde se pueda tropezar con él, enganchar, o jalar involuntariamente (especialmente los niños).
 - El cable de extensión se debe mantener seco y sobre tierra.

⚠ **ADVERTENCIA: RIESGO DE INCENDIO:** Guarde la linterna lejos de materiales que pueden quemar.

⚠ **PRECAUCIÓN: PARA REDUCIR EL RIESGO DE LESIONES O DAÑOS A LA PROPIEDAD:**

- El LED de 3 Vatios se rápidamente. No toque el lente, el protector o el recinto caliente.
- Nunca coloque la luz encendida hacia abajo en cualquier superficie, cargando o si no está en uso. Nunca almacene la luz hacia abajo sobre cualquier superficie.
- Nunca mire directamente a la luz ni la apunte directamente a los ojos de otra persona.
- Proteja el lente contra objetos agudos. Puede agrietarse o romperse.
- No exponga esta unidad a temperaturas extremadamente altas.
- No tire ni deje caer la linterna. Contiene una batería recargable de metal hidruro de níquel.
- Use sólo los adaptadores CA o CC que vienen con esta unidad. Primero, conecte el adaptador de carga al reflector y después conéctelo a la fuente de carga.
- No sobrecargue: Recargue hasta 5 horas de máximo.
- Después de cargar/recargar, desconecte el adaptador de recarga o extensión eléctrica y espere 5 minutos antes usar la linterna.
- No aplaste, corte, hale o exponga los cables del adaptador de carga al calor extremo.
- Coloque los cables del adaptador de carga de manera que no se enreden o se conviertan en un peligro de seguridad. Mantenga los cables del adaptador de carga alejados de bordes afilados.
- No abra la cubierta de la linterna. No contiene piezas que el usuario pueda reparar.
- No funcione la linterna sin el lente en el lugar.
- Para reducir el riesgo de daños al enchufe o al cable eléctrico, tire por el enchufe más bien que por el cable al desconectar del cargador de CA de 120 voltios.
- No intente cargar la unidad si se daña el cargador - devuelva el cargador al fabricante para la reparación o el reemplazo.

INSTRUCCIONES REFERENTE A LINTERNAS IMPERMEABLES

La junta tórica de goma actúa para preservar la impermeabilidad de la linterna. La superficie del anillo "O" hace contacto para evitar la entrada de agua. Una junta tórica, el bisel de goma y el lente, y un cierre apropiado de la tapa de extremo antes de usar es muy importantes.

⚠ **PRECAUCIÓN: PARA REDUCIR EL RIESGO DE DAÑOS A LA PROPIEDAD:**

- El intentar quitar la junta tórica; uso de la unidad sin una junta tórica, el bisel de goma o el lente dañado; lacre incorrecto de la tapa de extremo impermeable; y/o sumergir esta unidad en mayores de 6 pies de profundidad puede hacer que la unidad deje de ser impermeable. No sumerja la unidad si existen estas condiciones o la unidad podría sostener daño permanente.
- Sumergir esta unidad en profundidades superiores a 6 pies y / o utilizarla en temperaturas del agua que no sea entre 41 ° F y 104 ° F (5 ° C y 40 ° C) podría dar lugar a fugas, deformación o mal funcionamiento, causando daños permanentes en la linterna.

CONSERVE ESTAS INSTRUCCIONES

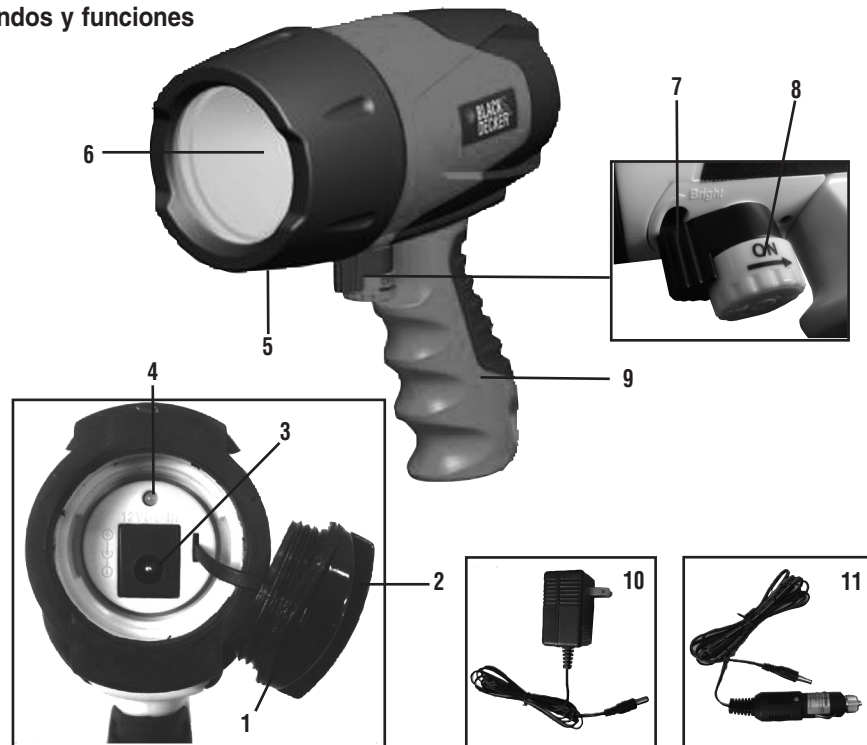
INTRODUCCIÓN

Felicitaciones por adquirir su nueva linterna. Lea el manual de instrucción y siga las instrucciones cuidadosamente antes de utilizar su nueva linterna.

CARACTERÍSTICAS

- Resistente al agua a profundidades de hasta 6 ‘
- Rayo de luz ultra-brillante de 3 vatios LED con regulador de intensidad
- La tapa de seguridad protege el puerto de carga de la CC de 12 voltios
- Mango de pistola cómodo
- Indicador LED del estado de la batería/carga
- Batería recargable y sin necesidad de mantenimiento de NIMH
- Adaptador de carga opcional de la CC de 12 voltios disponible

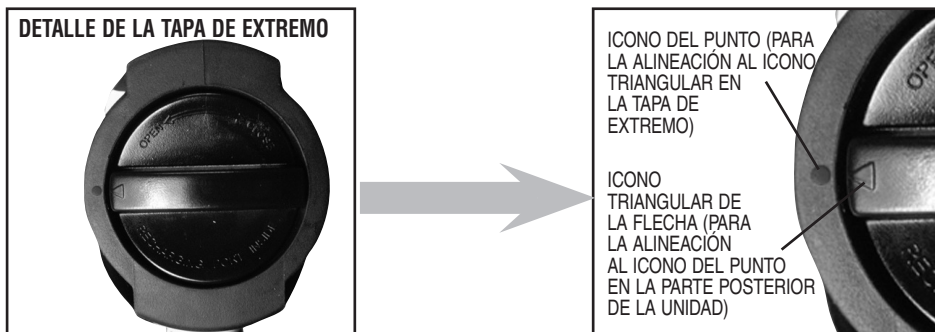
Mandos y funciones



1. Junta tórica de goma
2. Tapa de extremo impermeable translúcido (véase la ilustración detallada en la página 9)
3. Puerto de recarga de la CC de 12 voltios (para usar con cargador de la CA de 120 voltios y cargador de la CC de 12 voltios)
4. Indicador LED del estado de la batería/carga
5. Bisel de goma
6. Bulbo de 3 vatios LED
7. Regulador de intensidad
8. Perilla con./desc. de la energía
9. Agarre mango
10. Cargador de la CA de 120 voltios
11. Cargador de la CC de 12 voltios (accesorio opcional)

CÓMO LEER EL INDICADOR LED DEL ESTADO DE LA BATERÍA/CARGA

La batería y el indicador de carga del estado LED está situada directamente sobre el puerto de carga de la CC de 12 voltios debajo de la tapa de extremo impermeable en la parte posterior de la unidad.



ICONO DEL PUNTO (PARA LA ALINEACIÓN AL ICONO TRIANGULAR EN LA TAPA DE EXTREMO)

ICONO TRIANGULAR DE LA FLECHA (PARA LA ALINEACIÓN AL ICONO DEL PUNTO EN LA PARTE POSTERIOR DE LA UNIDAD)

Se enciende o destella en tres colores para indicar lo siguiente:

Cuando la unidad está cargando:

Verde y rojo (que destellan alternativamente): La batería está recalentada debido al uso extenso o a la recarga. El proceso de carga parará en esta etapa y reanudará automáticamente después de unos minutos.

Verde: La batería está en un estado completamente cargado.

Naranja: La batería está en un estado parcialmente cargado.

Rojo: La batería necesita ser recargada.

Cuando la unidad está funcionando:

Verde: La batería está funcionando en el voltaje completo.

Naranja: La batería está funcionando en el voltaje parcial.

Rojo (sólido): La batería está funcionando en la baja tensión, y debe ser recargada.

Rojo (el destellar): La batería está funcionando en la tensión muy baja. La protección incorporada de la baja tensión ha activado y la unidad cerrará automáticamente (después de sonar varias "señales sonoras"). La unidad se debe recargar inmediatamente.

Al usar el selector más débil:

Verde (el destellar): La luz está ajustando a un ajuste más débil.

Rojo (el destellar): La luz está ajustando a un ajuste más brillante.

CARGA Y RECARGA DE LA REFLECTOR

Esta unidad se envía en un estado parcialmente cargado. Cargue esta unidad después de compra y ANTES del primer uso usando el cargador de la CA de 120 voltios o el cargador opcional de la CC de 12 voltios por aproximadamente 3-5 horas. Cargue después de cada uso hasta que el Indicador LED del estado de la batería/carga encienda verde.

IMPORTANTE: Cuando la unidad no esté en uso, recomendamos cargar la batería al menos cada 30 días.

⚠ PRECAUCIÓN: PARA REDUCIR EL RIESGO DE DAÑOS A LA PROPIEDAD:

- Cerciórese de que la unidad se encuentra seca antes de cargar o de recargar. Si se ha sumergido la unidad, límpiese y seque con un paño suave antes de abrir la tapa de extremo. Si el agua entra en el puerto de carga, la unidad puede sostener daño permanente.
- Nunca coloque la luz hacia abajo en cualquier superficie cuando se carga.
- Si no se mantiene la batería cargada puede causar daños permanentes y resultar en un pobre rendimiento.

Carga/recarga desde una fuente de 120 voltios CA

- Cerciórese de que la linterna esté apagada girando la perilla con./desc. de la energía a la posición más a la derecha.
- Desatornille (a la izquierda) la tapa de extremo impermeable en la parte posterior de la unidad y quítelo.
- Inserte el conector de barril del cargador de la CA en el puerto de carga de la CC de 12 voltios en la parte posterior de la unidad. Inserte el extremo del enchufe en el enchufe estándar de voltio 60Hz de a (accionada) norteamericano 120.
- Cargue hasta que el indicador LED del estado de la batería/carga encienda el verde (aproximadamente 3-5 horas).
- Sustituya la tapa de extremo en la unidad, atornillando a la derecha hasta que la flecha triangular en la tapa de extremo esté señalando al icono del punto en la parte posterior de la unidad. Cerciórese de que quepa con seguridad, pero que NO apriete demasiado.

Carga/recarga desde una fuente de 12 voltios CC (accesorio opcional)

- Cerciórese de que la linterna esté apagada girando la perilla con./desc. de la energía a la posición más a la derecha.
- Desatornille (a la izquierda) la tapa de extremo impermeable en la parte posterior de la unidad y quítelo.
- Enchufe la punta tubular metálica del adaptador de 12 voltios CC al puerto de recarga de 12 voltios CC.
- Introduzca el tomacorriente de 12 voltios al enchufe para accesorios de su vehículo o a cualquier otra fuente de alimentación de 12 voltios.
- Cargue hasta que el indicador LED del estado de la batería/carga se encienda el verde (aproximadamente de 3-5 horas). NUNCA CARGUE LA UNIDAD POR MÁS DE 5 HORAS USANDO ESTE METODO.

- Substituya la tapa de extremo en la unidad, atornillando a la derecha hasta que la flecha triangular en la tapa de extremo esté señalando al icono del punto en la parte posterior de la unidad. Cerciórese de que quepa con seguridad, pero que NO apriete demasiado.

Nota: Cuando utilice el enchufe para accesorios de 12 voltios de un vehículo como fuente de carga, preste atención a que algunos vehículos requieren que se encienda la marcha para alimentar el enchufe de accesorios.

⚠ ADVERTENCIA: PARA EVITAR EL RIESGO DE DAÑOS A LA PROPIEDAD:

• NUNCA CONECTE LA UNIDAD A UN VEHÍCULO POSITIVO TIERRA.

- El adaptador de 12 voltios CC sólo se debe conectar a baterías con un voltaje nominal de 12 voltios. La unidad no funcionará con una batería de 6 voltios y sufrir daños permanentes si se conecta a una batería de 24 voltios.

NOTAS IMPORTANTES:

- Si cualquiera de los cargadores se conecta en la linterna mientras que está funcionando, la unidad no cargará. La unidad comenzará a cargar una vez que se apaga la linterna.
- Si cualquiera de los cargadores se conecta en la linterna mientras que se activa la protección incorporada de la baja tensión, la unidad apagará automáticamente y comenzará a cargar.
- Si se gira la perilla con./desc. de la energía en al cargar, la linterna puede no funcionar hasta que el cargador sea desconectado y se apaga el proyector, entonces encendido otra vez.
- Una vez que la unidad comienza a cargar, la linterna no funcionará hasta que el cargador sea desconectado.
- Cuando el indicador LED del estado de la batería/carga se encienda el verde, una "señal sonora" sonará indicar que el proceso de carga está terminado.

INSTRUCCIONES PARA EL FUNCIONAMIENTO

NOTA IMPORTANTE: Cuando cualquier cargador se conecta en el puerto de la CC de 12 voltios, la unidad está en modo de carga. La linterna no funcionará con tampoco de los cargadores enchufados.

⚠ PRECAUCIÓN: PARA REDUCIR EL RIESGO DE DAÑOS A LA PROPIEDAD:

- Nunca funcione esta linterna a menos que junta tórica, el bisel de goma y el lente estén intactos y se asienten correctamente; y la tapa de extremo impermeable está con seguridad en el lugar.
- Nunca funcione el proyector en áreas con campos magnéticos de alta resistencia, por ejemplo en la vecindad del generador de la CA etc.
- Nunca sumergir y operar esta linterna a profundidades mayores de 6 pies.
- Nunca funcione esta linterna en temperaturas del agua con excepción entre de 41°F y de 104°F (5°C y 40°C).
- Esta linterna está diseñada para funcionar durante un máximo de una hora bajo el agua.

Funcionamiento de la linterna

1. Desconectar del cargador.
2. La perilla con./desc. de la energía es localizado en el frente del mango de la linterna y debajo la perilla de o regulador de intensidad
3. Para encender la linterna, gire la perilla con./desc. de la energía a la posición más a la izquierda.
4. Para apagar la linterna, gire el encendido / apagado botón de encendido en la posición más hacia la derecha.

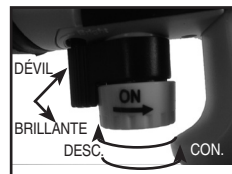
Nota: El Indicador LED del estado de la batería/carga se encenderá en uno de tres colores (según lo descrito en la sección titulada "Cómo leer el Indicador LED del estado de la batería/carga") para indicar el estado de la batería. Es visible a través de la tapa de extremo impermeable translúcido.

Usando la perilla de intensidad

La perilla de intensidad del selector que ajusta la intensidad de luz se establece sobre la perilla con./desc. de la energía. Empújela y dé vuelta al izquierdo, después sosténgase por 2 segundos para seleccionar un ajuste más brillante. Empújelo y dé vuelta al derecho, después el asimiento por 2 segundos para seleccionar un ajuste más dévil.* Una "señal sonora" sonará dos veces cuando el proyector se ha ajustado a su mínimo (más dévil) y a los ajustes (más brillantes) máximos.

* El indicador LED del estado de la batería/carga destellará rojos para indicar que la luz está ajustando a un ajuste más brillante o verde del flash para indicar la luz está ajustando a un ajuste más dévil.

En una sola carga, la linterna proporcionará la iluminación constante por aproximadamente 10 horas en su ajuste (más dévil) mínimo; aproximadamente 1 hora en su ajuste (más brillante) máximo.



IMPORTANTE: Para evitar y sufrir daños, esta linterna no se debe utilizar bajo el agua por más tiempo de una hora.

DETECCIÓN DE PROBLEMAS

Problema	Solución
Durante la carga no se enciende el indicador LED del estado de la batería/carga	<ol style="list-style-type: none"> 1. La batería está en la protección del sobrecalentamiento después de uso extenso. Permita que el proyector se refresque abajo por varios minutos antes de recargar. 2. La linterna no carga al funcionar. Cerciórese de que la linterna esta apagado. 3. Verifique la conexión al puerto de carga de 12 Voltios CC. 4. Verifique la conexión a la fuente de alimentación CA o CC. 5. Confirme que hay corriente CA o CC .
La unidad no funciona	<ol style="list-style-type: none"> 1. La batería está en la protección del sobrecalentamiento después completamente de cargar o de recargar. Permita que el proyector se refresque abajo por varios minutos antes de funcionar. 2. La linterna no funciona mientras se está cargando. Asegúrese que todos los adaptadores están desconectados antes de usar la linterna. 3. La batería puede estar descargada por completo. Cargue la unidad siguiendo las instrucciones. 4. Si la linterna no funciona después de recargar como se indica, contacto fabricante en 877-571-2391.

CUIDADO Y MANTENIMIENTO

Cerciórese de que la unidad esté completamente seca antes de almacenaje. Si se ha sumergido la unidad, límpiela seca con un paño suave.

Si la unidad se ensucia, limpie las superficies exteriores con cuidado. Utilice una tela suave humedecida con una mezcla diluida de agua y detergente.

No hay piezas sustituibles por el usuario. Periódicamente inspeccione la condición de adaptadores, conectores y alambres. Contacte el fabricante para sustituir los componentes que han pasado a ser gastado o rotas.

Con el tiempo, todas las baterías pierden energía debido a la descarga automática y con mayor rapidez en ambientes con temperaturas elevadas. Cuando la unidad no esté en uso, recomendamos cargar la batería al menos cada 30 días.

Reemplazo/desecho de la batería

REEMPLAZO DE LA BATERÍA

La batería debe durar la vida útil de la unidad. La vida de servicio depende en un número de factores, incluyendo pero no limitado al número de ciclos de recarga, y el cuidado y mantenimiento adecuado de la batería por el usuario. Comuníquese con el fabricante para cualquier información que pueda necesitar.

ELIMINACIÓN DE LA BATERÍA

Esta unidad contiene un paquete de la batería recargable de hidruro de metal de níquel, de que debe ser dispuesto correctamente cuando no conserva más una carga. Se requiere reciclado (comuníquese con su autoridad local para más información). El incumplimiento de las reglamentaciones locales, estatales y federales pueden provocar multas o penas de prisión.

Contacte la autoridad local de recolección de basura para disponer de este producto.

⚠ ADVERTENCIAS:

- No deseche la batería en el fuego ya que puede ocasionar una explosión.
- Antes de desechar la batería, proteja las terminales descubiertas con cinta eléctrica para trabajos pesados. De esta manera previene cortos circuitos (los cortos circuitos pueden ocasionar lesiones e incendios).
- No exponga la batería al fuego o al calor extremo ya que puede explotar.



Reemplazo del fusible del enchufe del adaptador de carga de 12 voltios CC

El fusible que está en la toma CC protege el circuito de carga del adaptador de recarga. Si el recargador CA opera pero el adaptador de carga CC no, el fusible puede estar abierto.

Para substituir el fusible:

1. Destornille la tapa trasera del enchufe de CC (en sentido contrario a las manecillas del reloj).
2. Retire el resorte central de contacto y el fusible.
3. Inspeccione el fusible con un control de continuidad.
4. En caso de estar quemado, busque un fusible de reemplazo de 5 amp/250 voltios.
5. Coloque el fusible, el resorte de contacto y el cobertor posterior.
6. Atornille la tapa trasera en sentido de las manecillas del reloj hasta que esté apretado. NO LO APRIETE DEMASIADO.
7. Asegúrese que el adaptador de carga CC esté funcionando de forma correcta.

ACCESORIOS

Accesorios recomendados para uso con esta unidad puede ser disponibles a través del fabricante. Si necesita ayuda con respecto a los accesorios, por favor póngase en contacto con el fabricante al 1-877-571-2391.

⚠ **ADVERTENCIA:** El uso de cualquier accesorio no recomendado para el uso con esta unidad podría ser peligroso.

INFORMACIÓN DE SERVICIO

Si usted necesita asesoramiento técnico, reparación, o partes genuinas del fabricante, póngase en contacto con el fabricante al 1-877-571-2391.

UN AÑO DE GARANTÍA LIMITADA

El fabricante garantiza este producto contra defectos de materiales y mano de obra durante un período de UN (1) AÑO a partir de la fecha de compra del producto por el comprador usuario final ("Período de Garantía"). Si hay un defecto y una reclamación válida se recibe dentro del período de garantía, el producto defectuoso puede ser reemplazado o reparado en el las siguientes maneras: (1) Devuelva el producto al fabricante para reparación o reemplazo, a opción del fabricante. La prueba de compra puede ser requerida por el fabricante. (2) Devuelva el producto a la tienda donde el producto fue comprado para un intercambio (siempre y cuando se trate de un minorista participante). Devoluciones al minorista deben hacerse dentro del plazo de póliza de devoluciones del minorista para intercambios solamente (por lo general 30 a 90 días después de la fecha de compra). La prueba de compra puede ser requerida por el minorista. Por favor consulte la póliza de devoluciones del minorista sobre devoluciones que están fuera del plazo establecido para intercambios.

Esta garantía no se aplica a los accesorios, bombillos, fusibles y baterías; defectos a consecuencias de desgaste normal; accidentes; daños y perjuicios sufridos durante el envío y manejo, alteraciones, reparaciones o uso no autorizado, negligencia, abuso, y si no se siguen instrucciones para el cuidado y mantenimiento del producto.

Esta garantía le otorga al comprador usuario final, derechos legales específicos y usted puede tener otros derechos que varían de estado a estado o de provincia a provincia. Este producto no está diseñado para uso comercial.

Por favor completar la tarjeta de registro del producto dentro de un plazo de 30 días a partir de la fecha de compra y remitir a: Baccus Global LLC, 595 S. Federal Highway, Suite 210, Boca Raton, FL 33432. **Baccus Global LLC, número de teléfono gratuito: 1-877-571 2391.**

REEMPLAZO GRATUITO DE LAS ETIQUETAS DE ADVERTENCIA: Si sus etiquetas de advertencia se vuelven ilegibles o faltan, llame al 1-877-571-2391 para un reemplazo gratis.

ESPECIFICACIONES

Reflector

Bombillo: Bombillo de 3 vatios LED
Bateria: Sin necesidad de mantenimiento, NiMH,
7.2 voltios, 700 mAh

Cargador de la CA de 120 voltios

Cargador: ETL clase 2 listado, 12 voltios de CC (500mA)
Voltaje de funcionamiento: 12 voltios de CC

Cargador opcional de la CC de 12 voltios

Voltaje: 12 voltios CC
Fusible: 5 A/250 V

Importados por Baccus Global LLC, 595 S. Federal Highway, Suite 210, Boca Raton, FL 33432
www.Baccusglobal.com 1-877-571-2391