

6-Gallon 3.5 HP Wet/Dry Vacuum	Page	2
Aspirateur Eau/Poussière 3,5 HP 6 Gallons.	Page	10
Aspiradora en Seco/Mojado de 6 Galones y 3.5 HP	Página	19

B09T3XGCCF

Table of Contents

1. Important Safety Instructions	3
1.1 Polarization Instruction	3
1.2 Servicing of Double-Insulated Appliances	3
1.3 Blower function safety	3
2. Intended Use	3
3. Before First Use	3
4. Product Description	4
5. Setup	5
5.1 Attaching casters	5
5.2 Attaching handle	5
5.3 Attaching the dust bag	5
5.4 Locking/unlocking the motor unit from the container	5
5.5 Attaching/detaching the filter	6
5.6 Attaching/detaching the foam filter	7
5.7 Connecting the hose and attachments	7
6. Operation	8
6.1 Switching on/off	8
6.2 Suction control	8
6.3 Dry vacuuming	8
6.4 Wet vacuuming	8
6.5 Blower function	8
7. Cleaning and Maintenance	8
7.1 Emptying the container	8
7.2 Cleaning the standard cartridge filter	8
7.3 Cleaning the foam filter	8
7.4 Storage	8
7.5 Maintenance	8
7.6 Replacement parts	9
8. Specifications	9
9. Frequently Asked Questions	9
10. Feedback and Help	9

1. IMPORTANT SAFETY INSTRUCTIONS



Read these instructions carefully and retain them for future use. If this appliance is passed to a third party, then these instructions must be included.

When using electrical appliances, basic safety precautions should always be followed including the following:

READ ALL INSTRUCTIONS BEFORE USING THIS APPLIANCE

⚠ WARNING Risk of damage and injury.

To reduce the risk of electric shock - Unplug before cleaning or servicing.

⚠ WARNING Risk of damage and injury.

Do not expose to rain. Store indoors.

⚠ CAUTION Risk of damage and injury.

To reduce the risk of injury from moving parts - Unplug before servicing

WARNING - To reduce the risk of fire, electric shock or injury:

- ▶ Do not leave appliance when plugged in. Unplug from outlet when not in use and before servicing.
- ▶ Do not allow to be used as a toy. Close attention is necessary when used by or near children.
- ▶ Use only as described in this manual. Use only manufacturer's recommended attachments.
- ▶ Do not use with damaged cord or plug. If appliance is not working as it should, has been dropped, damaged, left outdoors or dropped into water, return it to a service center.
- ▶ Do not pull or carry by cord, use cord as a handle, close a door on cord, or pull cord around sharp edges or corners. Do not run appliance over cord. Keep cord away from heated surfaces.
- ▶ Do not unplug by pulling on cord. To unplug, grasp the plug, not the cord.
- ▶ Do not handle plug or appliance with wet hands.
- ▶ Do not put any object into openings. Do not use with any opening blocked; keep free of dust, lint, hair, and anything that may reduce air flow.
- ▶ Keep hair, loose clothing, fingers, and all parts of body away from openings and moving parts.
- ▶ Turn off all controls before unplugging.
- ▶ Use extra care when cleaning on stairs.
- ▶ Do not use to pick up flammable or combustible liquids, such as gasoline, or use in areas where they may be present.
- ▶ This appliance is provided with double insulation. Use only identical replacement parts. See instructions for Servicing of Double-Insulated Appliances.
- ▶ Do not pick up anything that is burning or smoking, such as cigarettes, matches, or hot ashes.
- ▶ Do not use without dust bag and/or filters in place.
- ▶ To reduce the risk of electric shock, use only with an extension cord intended for outdoor use, such as SJW or SJTW.
- ▶ Make sure your extension cord is in good condition and is the correct size for your appliance. Below shows the correct size to use depending on cord length and nameplate ampere rating. If in doubt, use the next heavier gauge. The smaller the gauge number, the heavier the cord. An undersized extension cord will cause a drop in line voltage resulting in loss of power and overheating.

		Length of extension cord			
		25' (7.5 m)	50' (15.25 m)	100' (30.5 m)	150' (45.7 m)
120 V					
Ampere rating		A.W.G. wire size			
More than	Not more than				
0	6	18	16	16	14
6	10	18	16	14	12
10	12	16	16	14	12
12	16	14	12	Not recommended	

- ▶ Do not remove the guarding of the moving parts.

SAVE THESE INSTRUCTIONS

1.1 Polarization Instruction

To reduce the risk of electric shock, this appliance has a polarized plug (one blade is wider than the other). This plug will fit in a polarized outlet only one way. If the plug does not fit fully in the outlet, reverse the plug. If it still does not fit, contact a qualified electrician to install the proper outlet. Do not change the plug in any way.

1.2 Servicing of Double-Insulated Appliances

This product is double-insulated, eliminating the need for a separate grounding system. Use only identical replacement parts. Read the instructions for servicing double-insulated wet/dry vacuums before servicing.

A double-insulated appliance is marked with one or more of the following: the words "DOUBLE INSULATION" or "DOUBLE INSULATED." or the double insulation symbol (square within a square).



CAUTION

Do not vacuum drywall dust or fireplace soot or ash with standard wet/dry filter. This is a very fine dust which will not be captured by the filter and may cause damage to the motor. When vacuuming fine dust, use a fine dust filter (sold separately).

In a double-insulated appliance, two systems of insulation are provided instead of grounding. No grounding means is provided on a double-insulated appliance, nor should a means for grounding be added to the appliance. Servicing a double-insulated appliance requires extreme care and knowledge of the system, and should be done only by qualified service personnel. Replacement parts for a double-insulated appliance must be identical to the parts they replace.

Do not use without filters in place.

1.3 Blower function safety

- ▶ Wear a mask when using the appliance for blower function.
- ▶ Always wear safety goggles complying with ANSI Z87.1 or CSAZ94.3 when using the appliance.



2. Intended Use

- ▶ This product is intended for picking up wet and dry materials only.
- ▶ This product is intended for household use only.

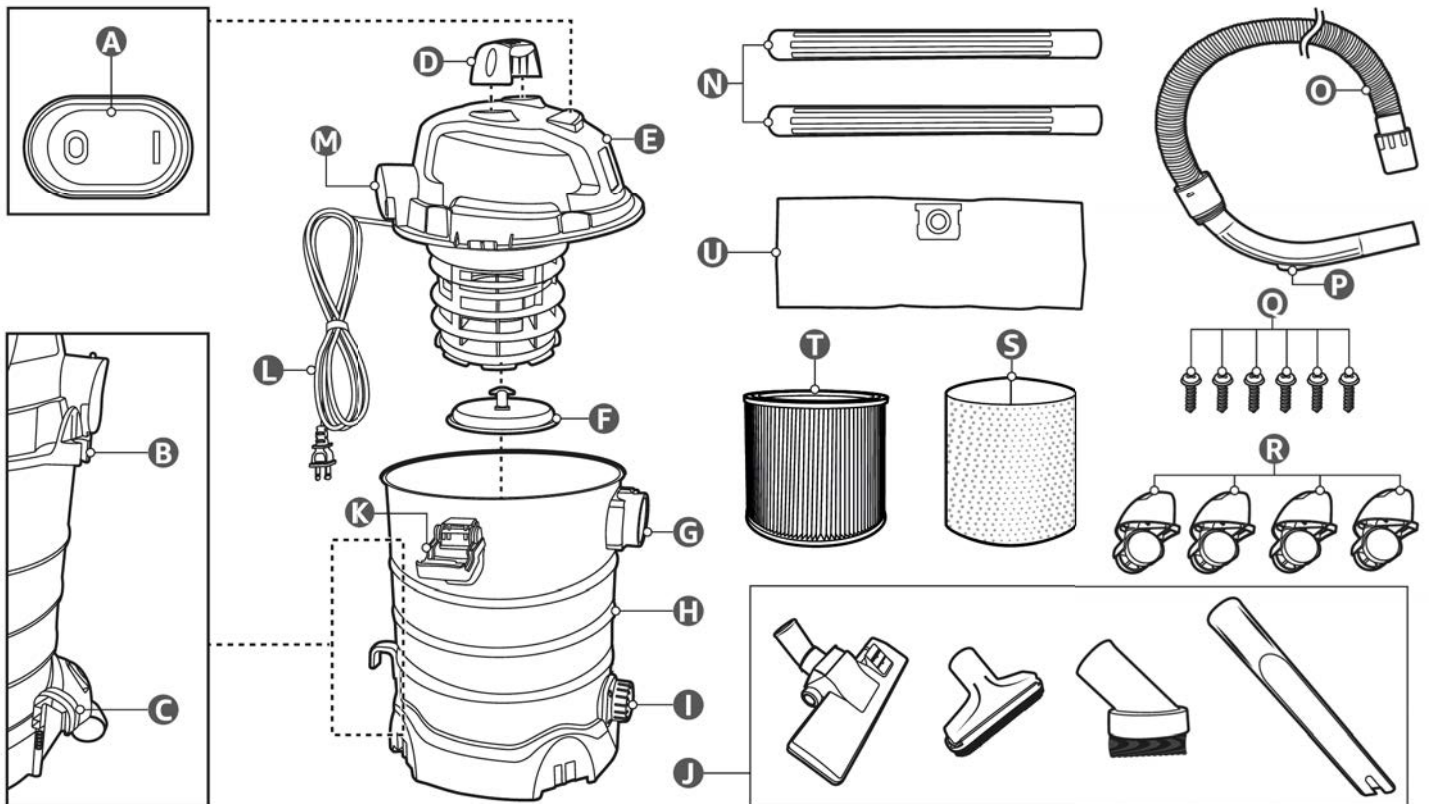
3. Before First Use

⚠ DANGER Risk of suffocation!

Keep any packaging materials away from children and pets – these materials are a potential source of danger, e.g. suffocation.

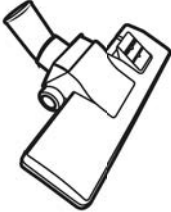





- ▶ Remove all the packing materials.
- ▶ Remove and review all components before assembly. Some parts are packed inside the container (H).
- ▶ Check the product for transport damages.
- ▶ Before connecting the product to the power supply, check that the power supply voltage and current rating corresponds with the power supply details shown on the product rating label.

4. Product Description



- A** I/O switch
- B** Cord storage
- C** Cord storage hook
- D** Handle
- E** Motor unit
- F** Locking cover
- G** Dry/wet hose intake
- H** Container
- I** Drain cap
- J** Attachments
- K** Latch

- L** Power cord with plug
- M** Air outlet
- N** Extension tube x2
- O** Hose
- P** Suction power control
- Q** Screw x6
- R** Caster x4
- S** Foam filter
- T** Standard cartridge filter
- U** Dust bag (disposable)

Attachment	Intended for
 <p>Multi-surface floor nozzle</p>	 Tiles, wooden floors, linoleum
	 Rugs, carpets
 <p>Round dust brush</p>	Removes dust and tiny pieces of fabric from crevices, corners, cracks and other places hard to reach, ideal for the grating in a car
 <p>Crevice nozzle</p>	Crevices, corners, cracks and other places hard to reach or as a wet nozzle for sucking up spilled liquids
 <p>Utility nozzle with brush attachment</p>	Rugs, sofas, pillows and upholstery in general

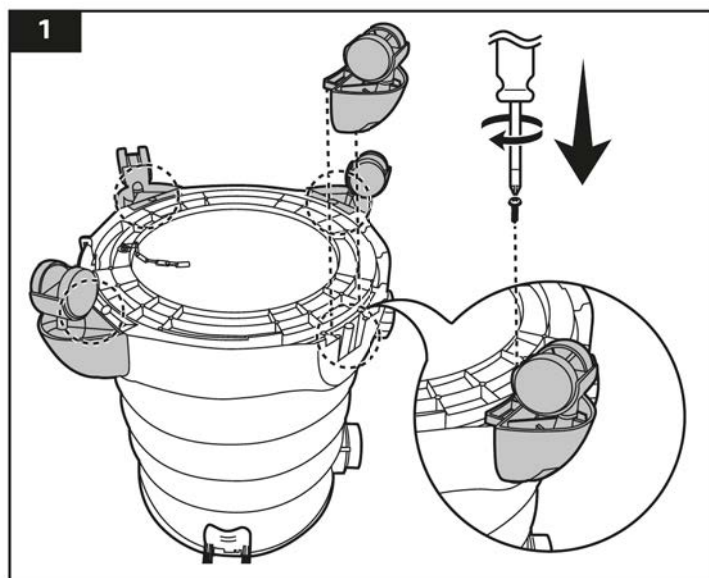
5. Setup

CAUTION Risk of damage and injury.

When changing the filters or shifting the function of the product, ensure that the product is unplugged when changing the set up of the product.

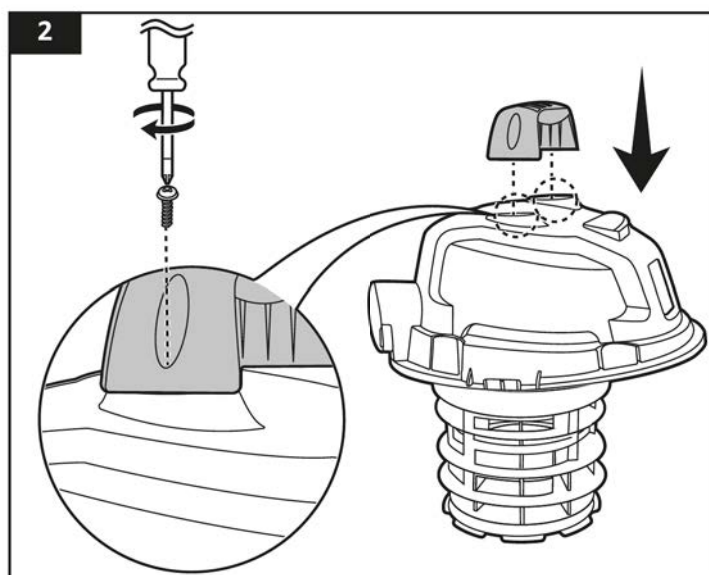
5.1 Attaching casters

1. Slide the casters (R) onto the base of the container (H) (Fig. 1).
2. Using a screwdriver, attach the casters (R) with 4 screws (Q) (Fig. 1).



5.2 Attaching handle

1. Fit the handle (D) onto the motor unit (E) (Fig. 2).
2. Using a screwdriver, attach the handle (D) with 2 screws (Q) (Fig. 2).

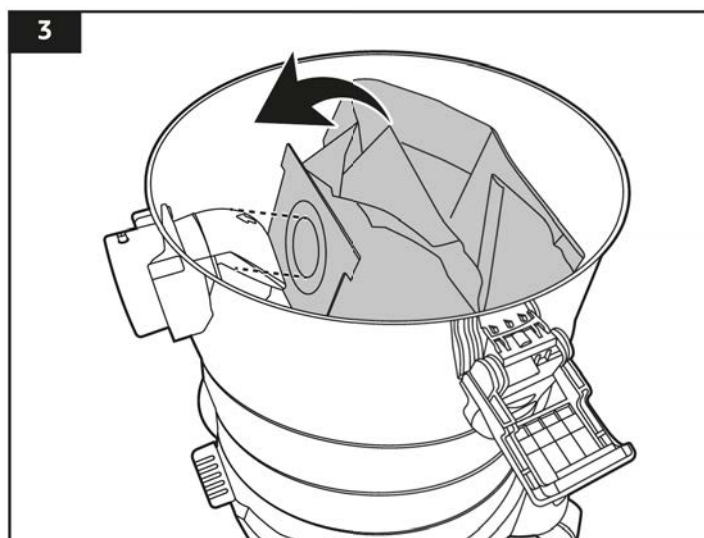


5.3 Attaching the dust bag

NOTICE

- ▶ Install the dust bag (U) when dry vacuuming fine dust, such as dust from cement, soot and plaster. Such dust particles are too fine to be used with only the standard cartridge filter (T). There is a risk of such dust particles getting into the motor unit (E) and damaging it.
- ▶ Take precaution to not damage the dust bag (U).

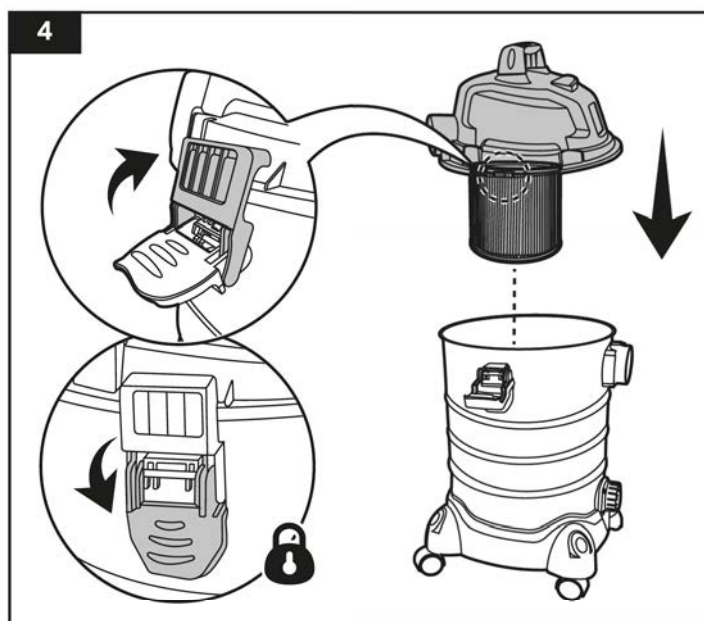
For improved dust filtering, install the dust bag (U) on the inside part of the dry/wet hose intake (G) (Fig. 3).



5.4 Locking/unlocking the motor unit from the container

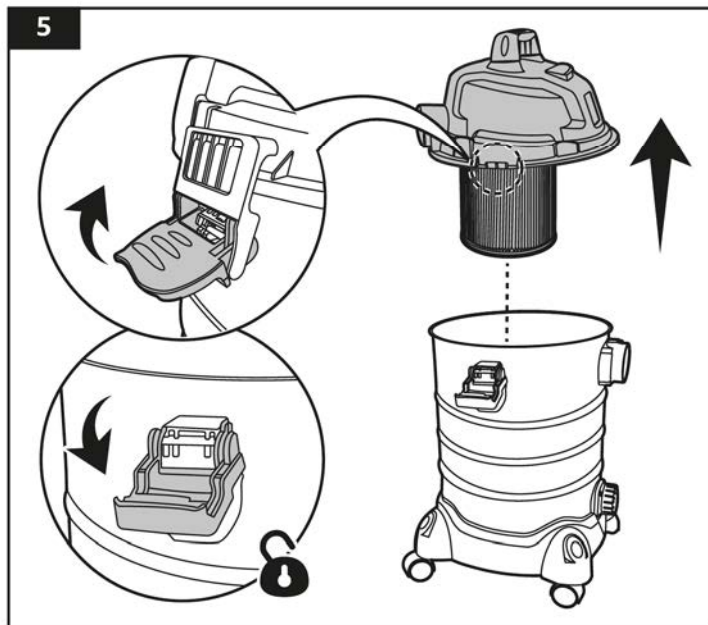
5.4.1 Locking

1. Place the motor unit (E) on top of the container (H), aligning the sides together (Fig. 4).
2. Hinge the latches (K) to the grooves of the motor unit (E), then push down to lock (Fig. 4).



5.4.2 Unlocking

Lift up the lower flaps of the latches (K) to unlock the motor unit (E) from the container (H) (Fig. 5).

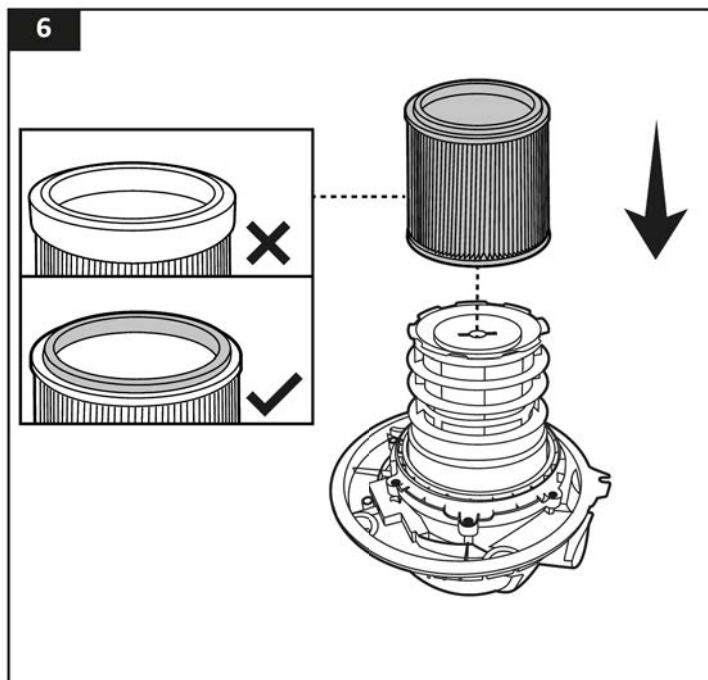


5.5 Attaching/detaching the filter

NOTICE The standard cartridge filter (T) is for dry vacuuming only.

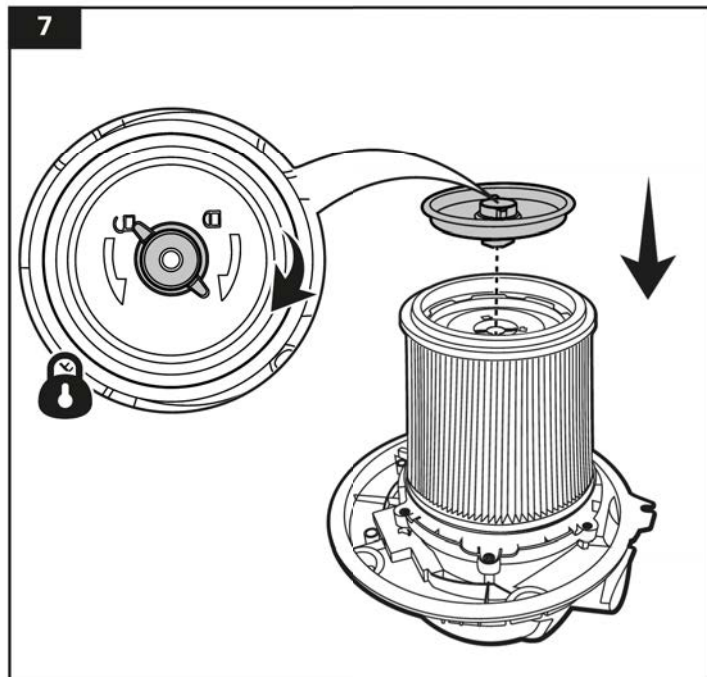
5.5.1 Attaching

1. Place the motor unit (E) upside down on a flat, even surface.
2. Push the standard cartridge filter (T) onto the motor unit (E) (Fig. 6). The end of the standard cartridge filter (T) with the rubber seal should face upwards.



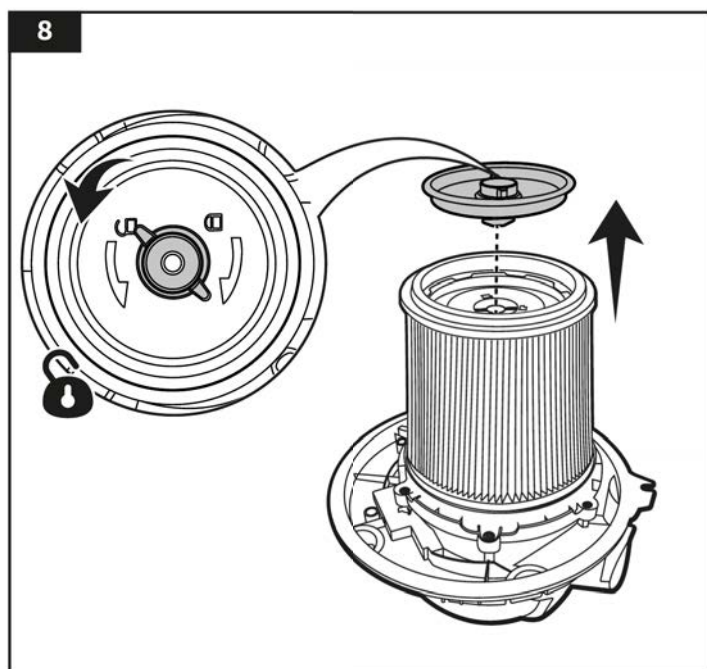
3. Place on the locking cover (F) (Fig. 7).

4. Rotate the knob on the locking cover (F) clockwise to secure in place (Fig. 7).



5.5.2 Detaching

1. Place the motor unit (E) upside down on a flat, even surface.
2. Rotate the knob on the locking cover (F) counter-clockwise to unlock (Fig. 8).
3. Take off the locking cover (F) (Fig. 8).



4. Pull the filter (T) out from the motor unit (E).

5.6 Attaching/detaching the foam filter

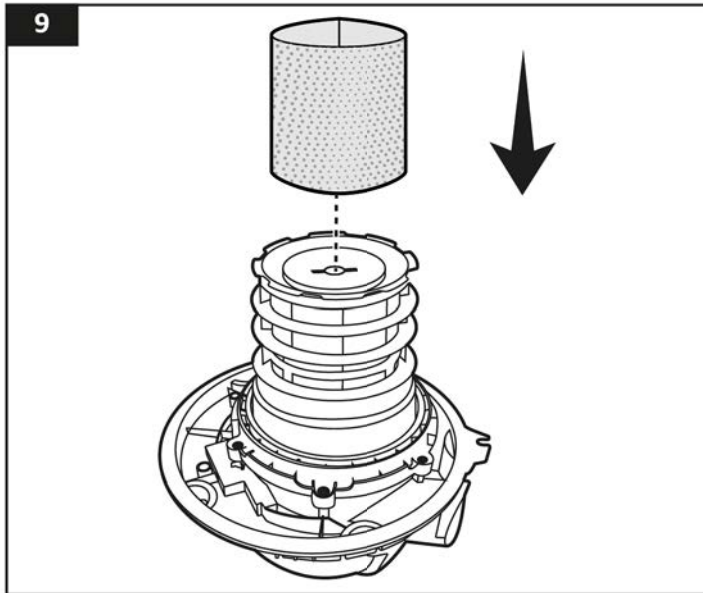
CAUTION

Take precaution when inserting the foam filter (S) onto the motor unit (E). The material is fragile and tight fitting.

NOTICE The foam filter (S) is for wet vacuuming only.

5.6.1 Attaching

1. Place the motor unit (E) upside down on a flat, even surface.
2. Attach the foam filter (S) onto the motor unit (E) (Fig. 9).



3. Check that the foam filter (S) fully wraps around the cage area of the motor unit (E).

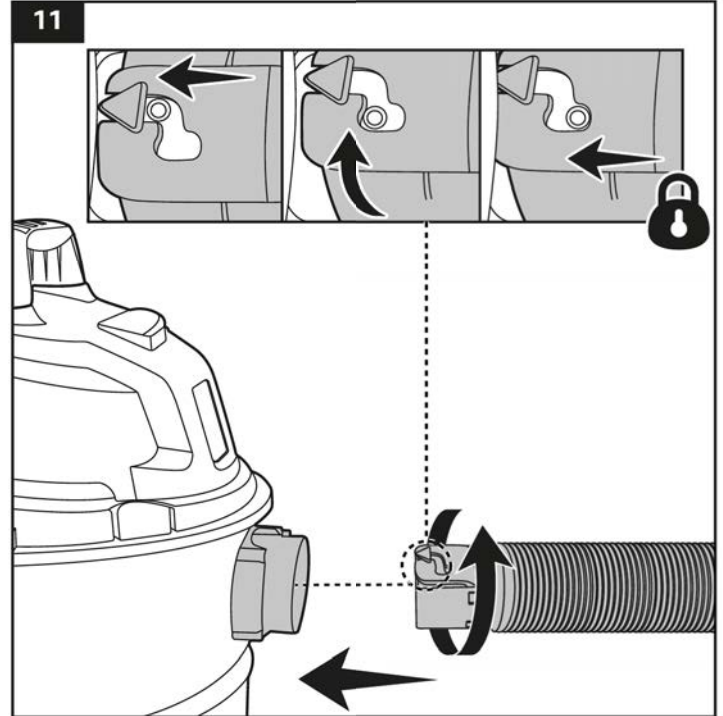
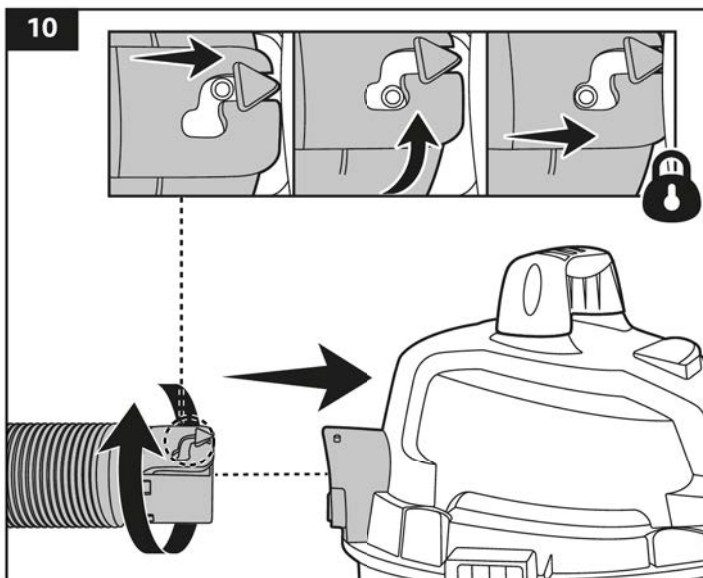
5.6.2 Detaching

1. Place the motor unit (E) upside down on a flat, even surface.
2. Take off the foam filter (S) from the motor unit (E).

5.7 Connecting the hose and attachments

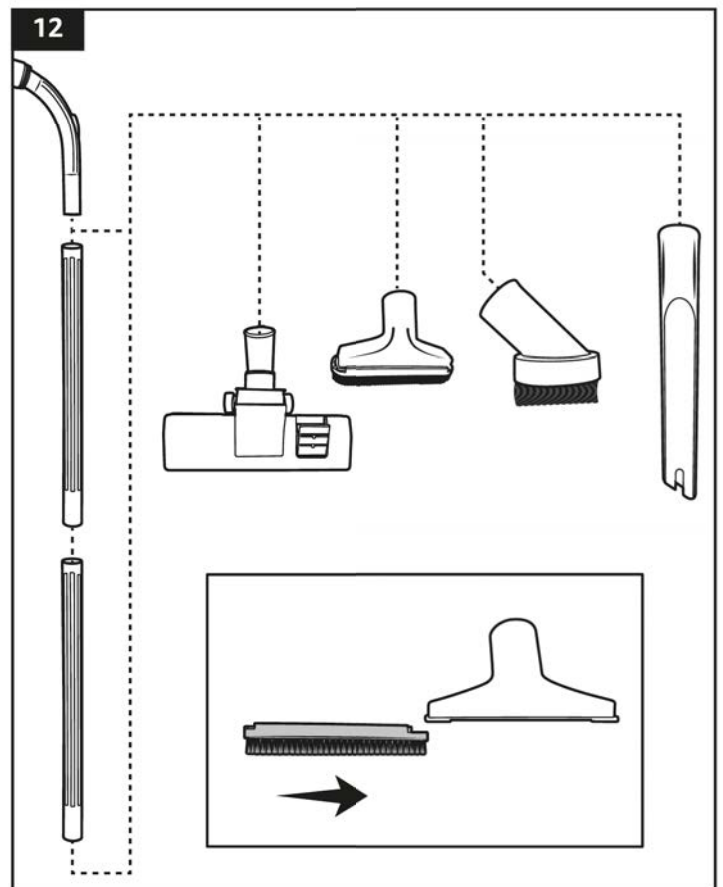
1. Connect the wide end of the hose (O) to the desired hose intake (G/M) then rotate it clockwise to lock into place.

- A) Blower function: air outlet (M) (Fig. 10).
- B) Dry/wet vacuuming: dry/wet hose intake (G) (Fig. 11).



NOTICE To take off the hose (O), reverse the steps needed to attach it.

2. Connect an extension tube (N) and/or an attachment (J) to the other end of the hose (O) as desired (Fig. 12).



6. Operation

⚠ WARNING Risk of explosion and fire hazard!

Never vacuum asbestos, flammable fluids, such as petrol, oil, solvents, etc. Do not operate near flammable fluids or gas. Never vacuum fluids or material hotter than 60 °C, such as cigarettes, matches or hot ashes, etc.

6.1 Switching on/off

1. Connect the plug (L) to a suitable outlet.
2. To switch the product on, set the I/O switch (A) to I.
3. To switch off, set the I/O switch (A) to O. Unplug the product from the outlet.

6.2 Suction control

Use the suction power control (P) on the hose (O) to adjust the suction power. Open to lower suction power and close to increase suction power.

6.3 Dry vacuuming

NOTICE Risk of product damage! Never dry vacuum without the standard cartridge filter (T) installed.

6.4 Wet vacuuming

NOTICE Risk of product damage! Never wet vacuum without the foam filter (S) installed.

- ▶ When vacuuming large quantities of liquids, do not immerse the nozzle fully in the liquid. Leave a gap at the tip of the nozzle opening to allow air inflow.
- ▶ The product is fitted with a float that stops the suction action when the container reaches its maximum capacity. Notice that there is an increase in motor noise. When this happens:
 1. Set the I/O switch (A) to O position.
 2. Disconnect from outlet, unscrew the drain cap (I).
 3. Drain the liquid into a suitable receptacle or drain.
- ▶ After wet vacuuming:
 1. Set the I/O switch (A) to O position and disconnect from outlet.
 2. Unscrew the drain cap (I) to empty the container (H).
 3. Clean and dry the inside and outside before storage.

6.5 Blower function

⚠ CAUTION Risk of injury!

When using as blower, direct air discharge only at work area. Do not use as a sprayer. Do not direct air at bystanders. Keep children away when blowing. Wear a dust mask if blowing create dust that might be inhaled.

NOTICE

- ▶ It is recommended to use safety goggles while using blower function to prevent debris from being blown or ricocheting into eyes.
- ▶ The blower function can be used to blow out dust from behind the furniture, from inside the AV/appliances housings (through vent holes) and to clean out blocked hose.

7. Cleaning and Maintenance

⚠ WARNING Risk of electric shock!

- ▶ To prevent electric shock, unplug the product before cleaning.
- ▶ During cleaning do not immerse the electrical parts of the product in water or other liquids. Never hold the product under running water.

7.1 Emptying the container

When suction power decreases, it might mean that the container (H) is full.

- ▶ For dry vacuuming disposal, take the motor unit (E) off from the container (H). Then dispose of the contents into a suitable receptacle.
- ▶ When the dust bag (U) is full, dispose of the full one and replace it with a new dust bag (U).
- ▶ For wet vacuuming disposal, unscrew the drain cap (I) to empty the container (H) into a suitable receptacle or drain.

7.2 Cleaning the standard cartridge filter

NOTICE Check the standard cartridge filter (T) for tears or small holes. A small hole can let dust pass through and damage the motor unit. Do not use a standard cartridge filter (T) with holes or tear; replace it immediately.

1. Take off the standard cartridge filter (T) from the motor unit (E).
2. Tap the standard cartridge filter (T) over the bin to remove dust. Never do this in indoor living areas.
3. After drying, reattach the standard cartridge filter (T) to the motor unit (E).

NOTICE Risk of product damage! Do not clean the standard cartridge filter (T) in a washing machine.

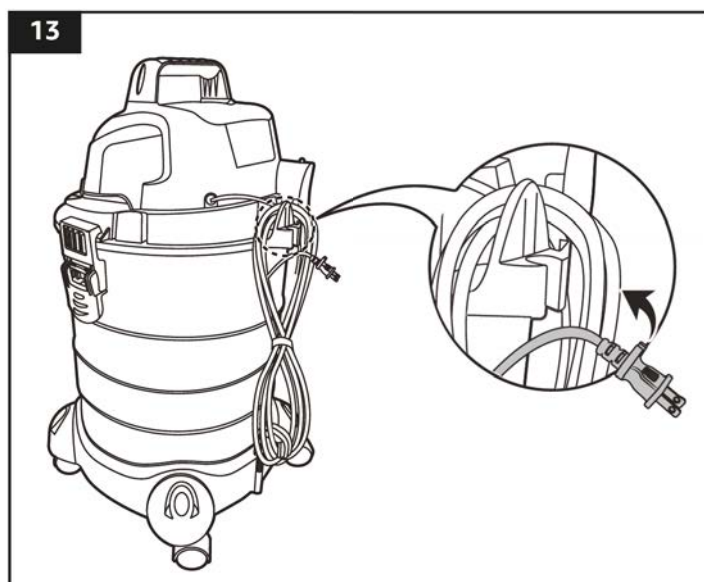
7.3 Cleaning the foam filter

1. Take off the foam filter (S) from the motor unit (E).
2. Wash and rinse the filter with water and mild detergent then let it air dry thoroughly.
3. After drying, reattach the foam filter (S) to the motor unit (E).

NOTICE Risk of product damage! Do not clean the foam filter (S) in a washing machine.

7.4 Storage

- ▶ The extension tubes (N) and the attachments (J) can be attached on the accessory storage on the casters (R) or on the motor unit (E).



- ▶ Roll up the power cable (L) into a loop bundle by winding it onto the cord storage (B) and cord storage hook (C) (Fig. 13).
- ▶ The hose materials are plastic. Do not store in areas with hot temperature.

7.5 Maintenance

- ▶ Any other servicing than mentioned in this manual should be performed by a professional repair center.


7.6 Replacement parts

⚠ CAUTION Risk of injury!

Using parts that are not compatible with the tool may cause accidents that can result in serious injury.

Description	Model no. or Specification
Foam filter	B09HXPD5RT/VFF5

8. Specifications

Model number	VQ607SFD
Rated voltage	120 V AC, 60 Hz
Rated current input	7 A
Suction power	47 water lift (in)
Protection class	Double insulated 
Peak horsepower ¹	3.5 HP
Tank size ²	6 gallons (22.7 L)
Cord length	12" (3.6 m)
Hose diameter	1.25" (3.2 cm)
Net weight	approx. 13.7 lbs (6.2 kg)
Dimensions (W x H x D)	approx. 14.8 x 13.1 x 20.6" (37.5 x 33.3 x 52.3 cm)

²"Tank Size" refers to the actual tank volume, and does not reflect capacity available during operation.

¹"Peak Horsepower" is a term used in the wet-dry vac industry for consumer comparison purposes. It does not denote the operational horsepower output of a wet-dry vac, but rather the horsepower output of a motor, including the motor's inertial contribution, achieved in laboratory testing. In actual use, motors do not operate at the peak horsepower shown.

9. Frequently Asked Questions

Problem	Solution
The product does not switch on.	Check if the plug is connected to the outlet. Use voltage tester to verify if the outlet is powered.
Intermittent on/off of the product.	The power cord connection may have loosened from accidental tugging over time. Contact a professional repair center.
Weak suction power.	<ul style="list-style-type: none"> ▶ Check if the hose, extension tube or any of the attachments are obstructed. ▶ The filter/foam filter is clogged. Remove and clean the filter/foam filter. ▶ The container is full. Empty the container.
Motor is abnormally noisy.	<ul style="list-style-type: none"> ▶ Stop using the product immediately. ▶ Check if the hose, extension tube or any of the attachments are obstructed. ▶ The container has reached its maximum capacity and the float stopped the suction action. Empty the container. ▶ If the above solutions does not work, contact a professional repair center.
Dust comes out from the motor unit.	<ul style="list-style-type: none"> ▶ The filter is not installed. Install the filter. ▶ The filter is clogged or damaged. ▶ Clean or replace with a new filter.

10. Feedback and Help

We would love to hear your feedback. To ensure we are providing the best customer experience possible, please consider writing a customer review.

Scan QR Code below with your phone camera or QR reader:



If you need help with your Amazon Basics product, please use the website or number below.

 amazon.com/gp/help/customer/contact-us

 +1 877-485-0385

Table des Matières

1. Consignes de Sécurité Importantes	11
1.1 Instructions relatives à la polarisation	11
1.2 Réparation ou Entretien des Appareils à Double Isolation	11
1.3 Sécurité de la fonction de soufflage	11
2. Utilisation Prévue	12
3. Avant la Première Utilisation	12
4. Description du produit	12
5. Installation	13
5.1 Fixation des roulettes	13
5.2 Fixation du manche	13
5.3 Fixation du sac à poussière	14
5.4 Verrouillage/déverrouillage du bloc moteur du contenant	14
5.5 Fixation/détachement du filtre	14
5.6 Fixation/détachement du filtre en mousse	15
5.7 Raccordement du tuyau et des accessoires	15
6. Utilisation	16
6.1 Mise sous/hors tension	16
6.2 Commande d'aspiration	16
6.3 Aspiration de déchets secs	16
6.4 Aspiration de déchets humides	16
6.5 Fonction de souffleur	17
7. Nettoyage et Entretien	17
7.1 Vidange du contenant	17
7.2 Nettoyage du filtre à cartouche ordinaire	17
7.3 Nettoyage du filtre en mousse	17
7.4 Rangement	17
7.5 Entretien	17
7.6 Pièces de rechange	17
8. Caractéristiques	18
9. Foire Aux Questions	18
10. Vos Avis et Aide	18

1. CONSIGNES DE SÉCURITÉ IMPORTANTES



Veillez lire attentivement les présentes instructions et les conserver afin de pouvoir vous y référer ultérieurement. En cas de cession de cet appareil à un tiers, les présentes instructions doivent également y être jointes.

Lorsque vous utilisez des appareils électriques, il convient de toujours respecter les consignes de sécurité élémentaires suivantes :

VEUILLEZ LIRE L'INTÉGRALITÉ DES CONSIGNES AVANT D'UTILISER CET APPAREIL

⚠ AVERTISSEMENT Risques d'endommagement et de blessures.

Afin de réduire tout risque d'électrocution, débranchez l'appareil avant de procéder à son nettoyage ou d'effectuer dessus tous travaux de réparation ou d'entretien.

⚠ AVERTISSEMENT Risques d'endommagement et de blessures.

Ne pas exposer l'appareil à la pluie. Rangez l'appareil à l'intérieur.

⚠ ATTENTION Risques d'endommagement et de blessures.

Afin de réduire tout risque de blessures causées par des pièces mobiles, débranchez l'appareil avant d'effectuer dessus tous travaux de réparation ou d'entretien

AVERTISSEMENT : Afin de réduire tout risque d'incendie, d'électrique ou de blessures :

- ▶ Ne pas laisser l'appareil lorsqu'il est branché. Débranchez-le de la prise de courant lorsque vous ne l'utilisez pas et avant d'effectuer dessus tous travaux de réparation ou d'entretien.
- ▶ Ne pas autoriser l'utilisation de l'appareil en guise de jouet. Il convient d'exercer une étroite surveillance lorsque l'appareil est utilisé par des enfants ou en présence de ceux-ci.
- ▶ Utilisez cet appareil exclusivement ainsi que décrit dans le présent manuel. Utilisez exclusivement des accessoires recommandés par le fabricant.
- ▶ Ne pas l'utiliser avec un cordon endommagé ou une fiche endommagée. En cas de dysfonctionnement de l'appareil, s'il est tombé, s'il a été endommagé, s'il est resté à l'extérieur ou s'il est tombé dans de l'eau, retournez-le dans un centre de services.
- ▶ Ne pas tirer ni porter l'appareil à l'aide du cordon. Ne pas utiliser celui-ci en guise de poignée ou pour fermer une porte, ni l'enrouler autour de bords coupants ou d'arêtes vives. Ne pas faire passer l'appareil par dessus le cordon. Maintenez le cordon à l'écart des surfaces chaudes.
- ▶ Ne pas débrancher en tirant sur le cordon. Pour débrancher, saisissez la fiche, pas le cordon.
- ▶ Ne pas manipuler la fiche ou l'appareil avec les mains mouillées.
- ▶ N'insérer aucun objet dans les ouvertures. Ne pas utiliser l'appareil si des ouvertures sont obstruées. Faites en sorte que celles-ci soient exemptes de poussières, de peluches, de cheveux ou de poils et de tout autre élément susceptible de réduire la circulation de l'air.
- ▶ Maintenez vos cheveux, vêtements amples, doigts et toutes parties du corps à l'écart des orifices et des pièces mobiles.
- ▶ Désactivez toutes les commandes avant de débrancher l'appareil.
- ▶ Faites particulièrement preuve de vigilance lorsque vous effectuez des travaux de nettoyage dans les escaliers.
- ▶ Ne pas utiliser cet appareil pour ramasser des liquides inflammables ou combustibles, notamment de l'essence, ni l'utiliser dans des endroits où ceux-ci peuvent être présents.
- ▶ Cet appareil est doté d'une double isolation. Utilisez exclusivement des pièces de rechange identiques aux pièces d'origine. Voir les instructions relatives à la Réparation ou à l'Entretien des Appareils à Double Isolation.
- ▶ Ne pas utiliser cet appareil pour récupérer des objets en combustion ou fumants, notamment cigarettes, allumettes ou cendres chaudes.
- ▶ Ne pas utiliser cet appareil sans le sac à poussière et/ou des filtres en place.
- ▶ Afin de réduire tout risque d'électrocution, utilisez exclusivement un cordon prolongateur conçu pour une utilisation en extérieur, notamment le modèle SJW ou SJTW.

- ▶ Assurez-vous que votre cordon prolongateur est en bon état et que son calibre est adapté à votre appareil. Le tableau ci-dessous indique le calibre correct à utiliser en fonction de la longueur du cordon et de l'ampérage indiqué sur la plaque signalétique. En cas de doute, utilisez le calibre immédiatement supérieur. Plus le numéro de calibre est petit, plus le cordon est lourd. Un cordon prolongateur de calibre insuffisant risque d'entraîner une baisse de la tension du réseau, ce qui peut entraîner perte de puissance et surchauffe.

		Longueur du cordon prolongateur			
		25 pi (7,5 m)	50 pi (15,25 m)	100 pi (30,5 m)	150 pi (45,7 m)
120 V					
Ampérage		Calibre du fil A.W.G.			
Supérieur à	Pas plus de				
0	6	18	16	16	14
6	10	18	16	14	12
10	12	16	16	14	12
12	16	14	12	Déconseillé	

- ▶ Ne pas retirer le dispositif de protection des pièces mobiles.

CONSERVEZ LES PRÉSENTES INSTRUCTIONS

1.1 Instructions relatives à la polarisation

Afin de réduire tout risque d'électrocution, cet appareil comporte une fiche polarisée (une lame est plus large que l'autre). Il n'existe qu'une seule façon d'insérer la fiche dans une prise polarisée. Si la fiche ne s'insère pas entièrement dans la prise, inversez-la. Si la fiche ne s'insère toujours pas correctement, contactez un électricien qualifié afin qu'il installe une prise de courant adaptée. Ne pas modifier la fiche de quelque façon que ce soit.

1.2 Réparation ou Entretien des Appareils à Double Isolation

Ce produit est doté d'une double isolation, ce qui élimine la nécessité d'un système de mise à la terre distinct. Utilisez exclusivement des pièces de rechange identiques aux pièces d'origine. Veuillez lire les instructions de réparation ou d'entretien des aspirateurs eau/poussière à double isolation avant de procéder à leur réparation ou entretien.

Un appareil à double isolation porte l'une ou plusieurs des mentions suivantes : les termes « DOUBLE ISOLATION » ou « À DOUBLE ISOLATION » ou le symbole de double isolation (un carré dans un carré).



ATTENTION

Ne pas aspirer de la poussière de cloison sèche ou de la suie ou des cendres de cheminée à l'aide d'un filtre pour déchets humides/secs ordinaire. Il s'agit d'une poussière très fine qui n'est pas captée par le filtre et qui risque d'endommager le moteur. Lorsque vous aspirez de la poussière fine, utilisez un filtre à poussières fines (vendu séparément).

Dans un appareil à double isolation, deux systèmes d'isolation sont prévus en lieu et place de la mise à la terre. Aucun dispositif de mise à la terre n'est prévu sur un appareil à double isolation, et aucun dispositif de mise à la terre ne doit être ajouté à l'appareil. L'entretien d'un appareil à double isolation nécessite un soin extrême et une connaissance du système, et doit être effectué exclusivement par du personnel d'entretien qualifié. Les pièces de rechange d'un appareil à double isolation doivent être identiques aux pièces qu'elles remplacent.

Ne pas utiliser le produit sans des filtres en place.

1.3 Sécurité de la fonction de soufflage

- ▶ Portez un masque lorsque vous utilisez l'appareil pour la fonction de soufflage.
- ▶ Portez toujours des lunettes de sécurité conformes à la norme ANSI Z87.1 ou CSAZ94.3 lorsque vous utilisez cet appareil.



2. Utilisation Prévue

- ▶ Ce produit est conçu pour ramasser des matériaux secs et humides exclusivement.
- ▶ Ce produit est conçu pour un usage domestique exclusivement.

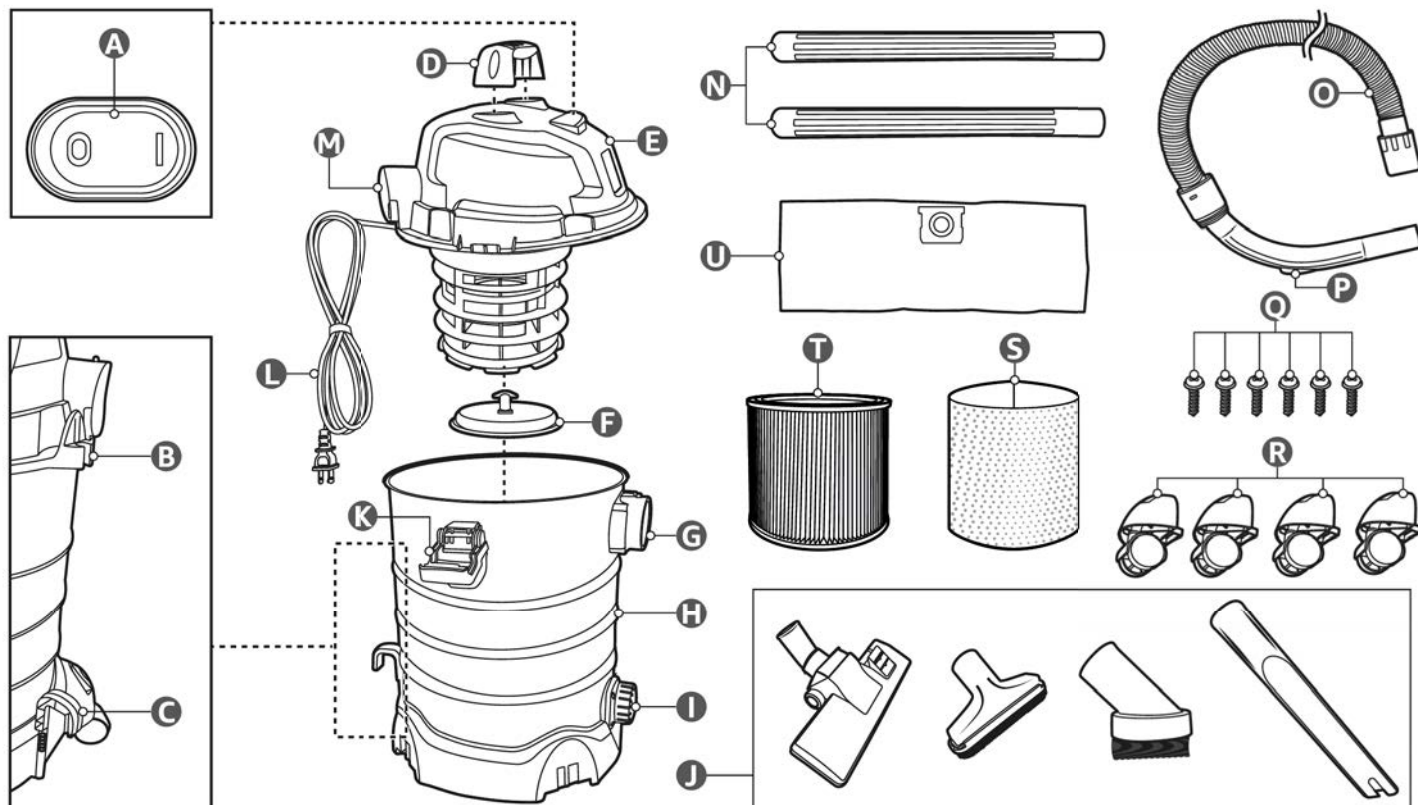
3. Avant la Première Utilisation

⚠ DANGER Risques d'étouffement!

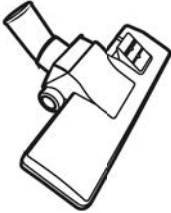





Conservez tous les matériaux d'emballage hors de la portée des enfants et des animaux familiers : ces matériaux constituent une source de danger potentiel, p. ex. étouffement.

- ▶ Retirez-en tous les matériaux d'emballage.
- ▶ Retirez, puis examinez l'état de tous les composants avant de procéder au montage du produit. Certaines pièces sont emballées à l'intérieur du contenant (H).
- ▶ Vérifiez l'état du produit afin de déceler des dommages éventuels dus au transport.
- ▶ Avant de brancher le produit à l'alimentation électrique, assurez-vous que la tension d'alimentation et le courant nominal correspondent aux caractéristiques d'alimentation indiquées sur la plaque signalétique du produit.

4. Description du produit



- | | |
|--|---|
| A Commutateur I/O | L Cordon d'alimentation muni d'une fiche |
| B Rangement du cordon | M Sortie d'air |
| C Crochet de rangement du cordon | N Tube de rallonge x 2 |
| D Manche | O Tuyau |
| E Bloc moteur | P Commande de la puissance d'aspiration |
| F Couvercle de verrouillage | Q Vis x 6 |
| G Entrée du tuyau pour déchets secs/humides | R Roulette x 4 |
| H Contenant | S Filtre en mousse |
| I Bouchon de vidange | T Filtre à cartouche ordinaire |
| J Accessoires | U Sac à poussière (jetable) |
| K Loquet | |

Accessoire		Conçu pour
Suceur de planchers multi-surfaces		 Carreaux, planchers en bois, linoléum
		 Tapis, moquettes
Brosse à dépeussier ronde		Permet d'éliminer la poussière et les petits morceaux de tissu des interstices, coins, fissures et tous autres endroits difficiles à atteindre, idéal pour la grille d'une voiture
Suceur pour interstices		Interstices, coins, fissures et tous autres endroits difficiles à atteindre ou en guise de suceur de déchets humides pour aspirer des liquides renversés
Suceur à usages multiples avec brosse		Tapis, canapés, oreillers et tissus d'ameublement en général

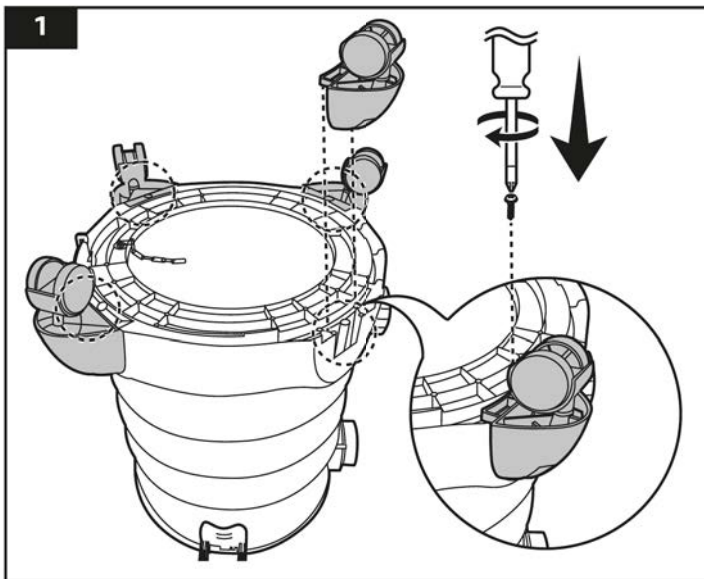
5. Installation

⚠ ATTENTION Risques d'endommagement et de blessures.

Lorsque vous remplacez les filtres ou modifiez la fonction du produit, assurez-vous que le produit est débranché lors de la modification de la configuration du produit.

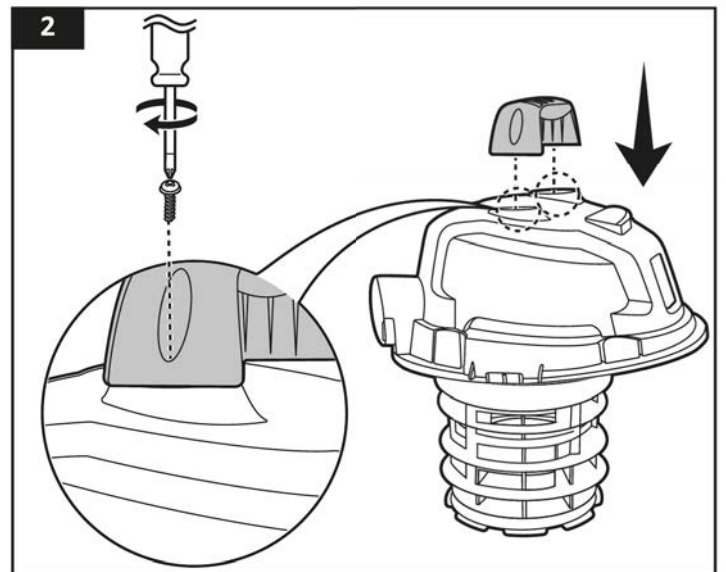
5.1 Fixation des roulettes

1. Faites glisser les roulettes (R) sur le fond du contenant (H) (Ill. 1).
2. À l'aide d'un tournevis, fixez les roulettes (R) avec 4 vis (Q) (Ill. 1).



5.2 Fixation du manche

1. Fixez le manche (D) sur le bloc moteur (E) (Ill. 2).
2. À l'aide d'un tournevis, fixez le manche (D) avec 2 vis (Q) (Ill. 2).

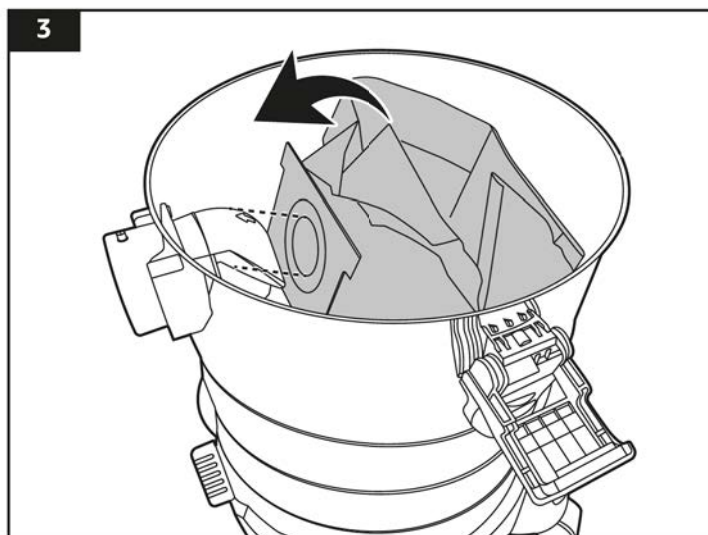


5.3 Fixation du sac à poussière

REMARQUE

- ▶ Installez le sac à poussière (U) lorsque vous aspirez à sec de la poussière fine, notamment la poussière de ciment, de suie et de plâtre. Ces particules de poussière sont trop fines pour être utilisées exclusivement avec le filtre à cartouche ordinaire (T). Ces particules de poussière risquent de pénétrer dans le bloc moteur (E) et de l'endommager.
- ▶ Faites preuve de précaution afin de ne pas endommager le sac à poussière (U).

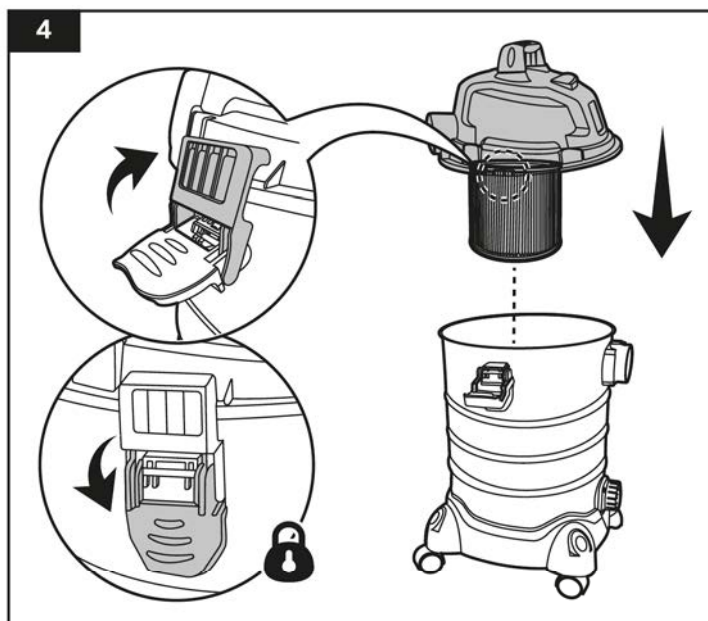
Pour améliorer le filtrage de poussières, installez le sac à poussière (U) sur la partie intérieure de l'entrée du tuyau pour déchets secs/humides (G) (Ill. 3).



5.4 Verrouillage/déverrouillage du bloc moteur du contenant

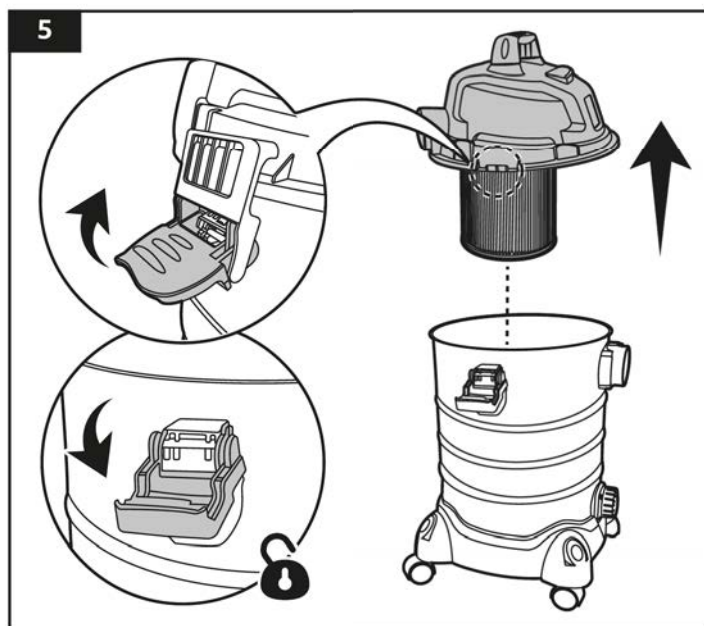
5.4.1 Verrouillage

1. Placez le bloc moteur (E) sur la partie supérieure du contenant (H), en alignant les côtés ensemble (Ill. 4).
2. Faites pivoter les loquets (K) vers les rainures du bloc moteur (E), puis appuyez dessus pour les verrouiller (Ill. 4).



5.4.2 Déverrouillage

Soulevez les rabats inférieurs des loquets (K) pour déverrouiller le bloc moteur (E) du contenant (H) (Ill. 5).

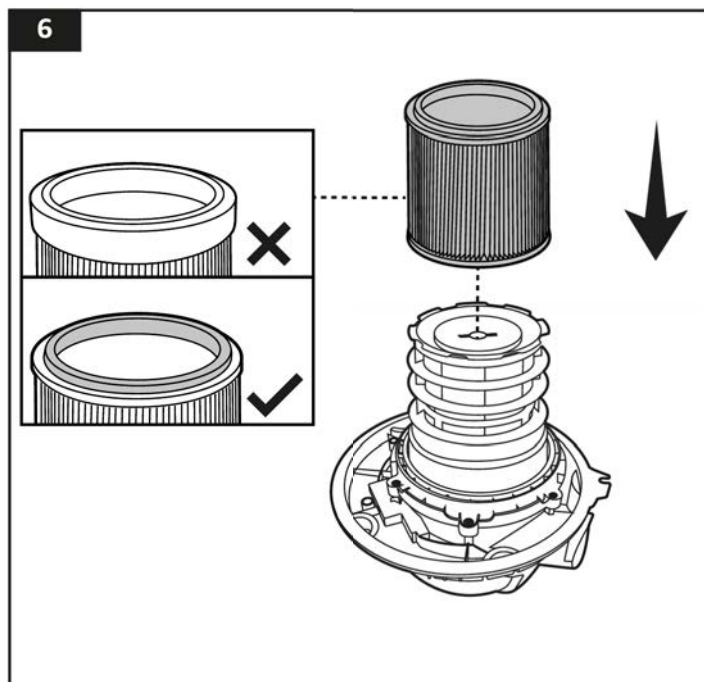


5.5 Fixation/détachement du filtre

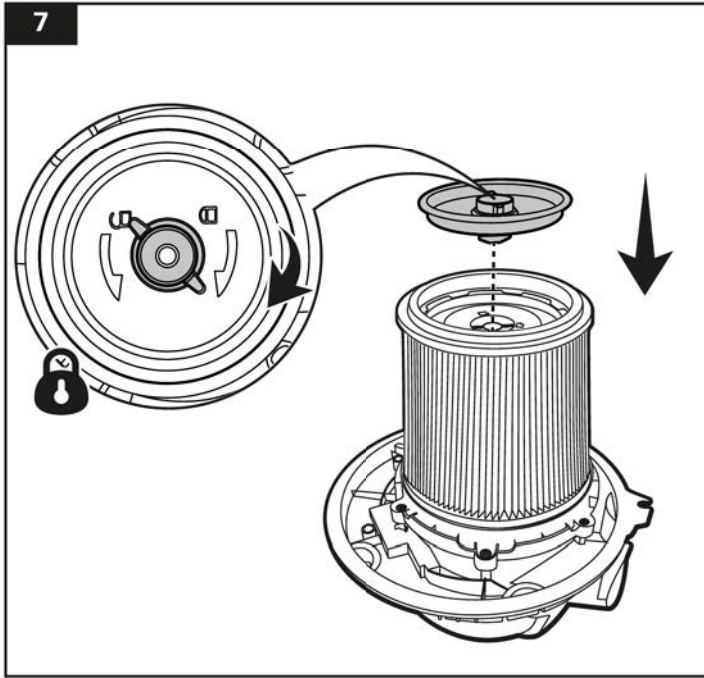
REMARQUE Le filtre à cartouche ordinaire (T) est conçu pour l'aspiration de déchets secs exclusivement.

5.5.1 Fixation

1. Placez le bloc moteur (E) à l'envers sur une surface plane et unie.
2. Enfoncez le filtre à cartouche ordinaire (T) sur le bloc moteur (E) (Ill. 6). L'extrémité du filtre à cartouche ordinaire (T) avec le joint en caoutchouc doit être orientée vers le haut.

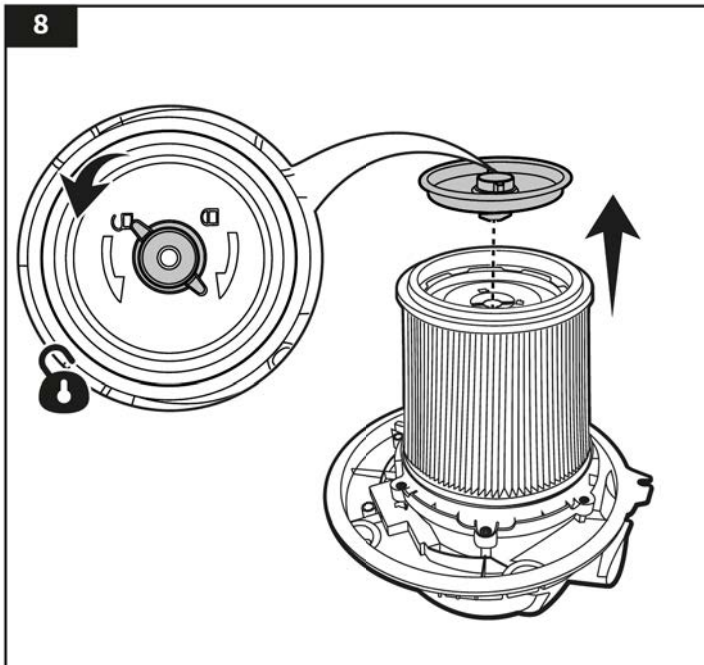


- Placez le couvercle de verrouillage (F) (Ill. 7).
- Tournez le bouton du couvercle de verrouillage (F) dans le sens des aiguilles d'une montre pour le fixer en place (Ill. 7).



5.5.2 Détachement

- Placez le bloc moteur (E) à l'envers sur une surface plane et unie.
- Tournez le bouton du couvercle de verrouillage (F) dans le sens inverse des aiguilles d'une montre pour le déverrouiller (Ill. 8).
- Retirez le couvercle de verrouillage (F) (Ill. 8).



- Tirez le filtre (T) hors du bloc moteur (E).

5.6 Fixation/détachement du filtre en mousse

ATTENTION

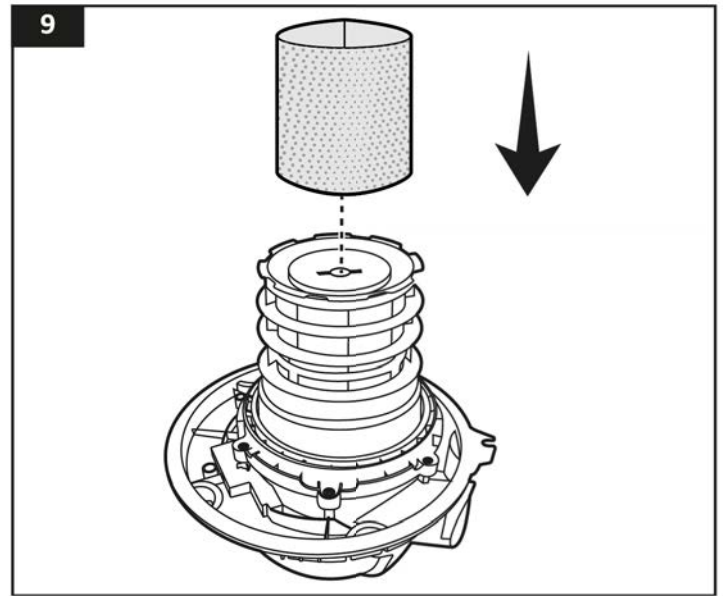
Faites preuve de précaution lorsque vous insérez le filtre en mousse (S) sur le bloc moteur (E). Le matériau est fragile et hermétique.

REMARQUE

Le filtre en mousse (S) est conçu pour l'aspiration de déchets humides exclusivement.

5.6.1 Fixation

- Placez le bloc moteur (E) à l'envers sur une surface plane et unie.
- Fixez le filtre en mousse (S) sur le bloc moteur (E) (Ill. 9).



- Assurez-vous que le filtre en mousse (S) enveloppe complètement la surface de la cage du bloc moteur (E).

5.6.2 Détachement

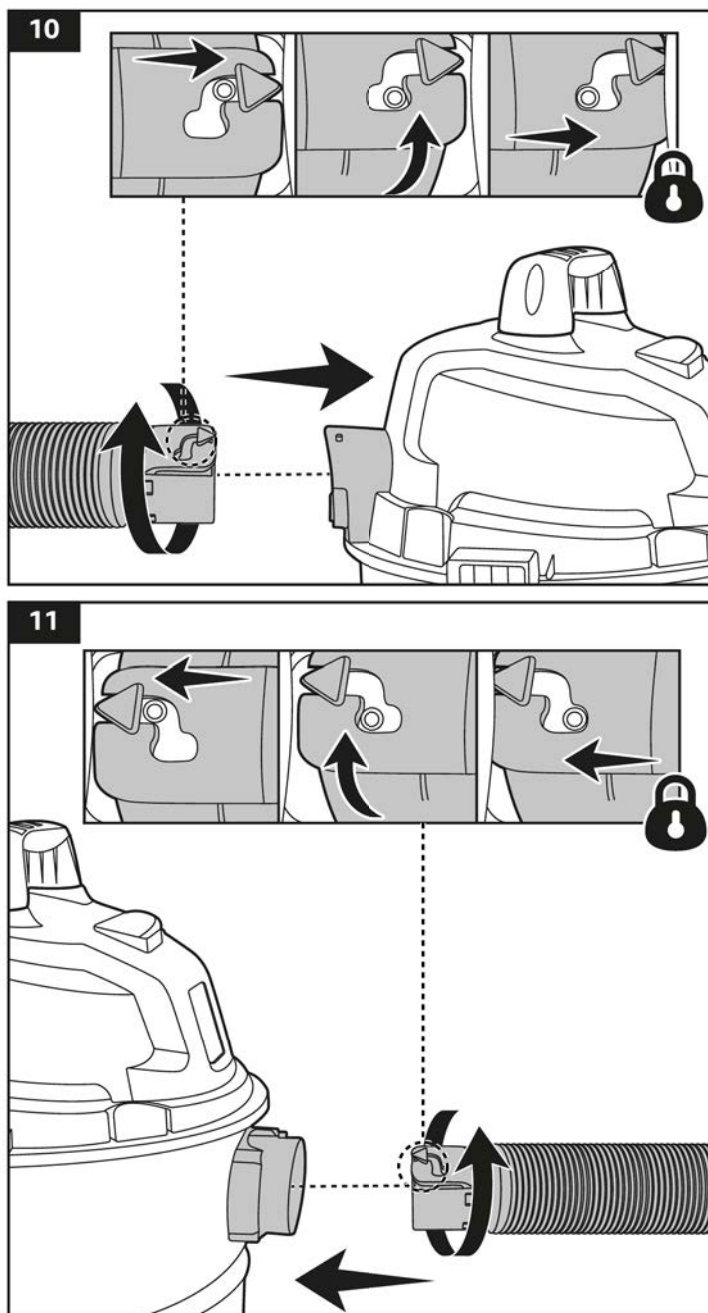
- Placez le bloc moteur (E) à l'envers sur une surface plane et unie.
- Retirez le filtre en mousse (S) du bloc moteur (E).

5.7 Raccordement du tuyau et des accessoires

- Raccordez l'extrémité large du tuyau (O) à la prise d'air souhaitée (G/M) puis tournez-la dans le sens des aiguilles d'une montre pour la verrouiller.

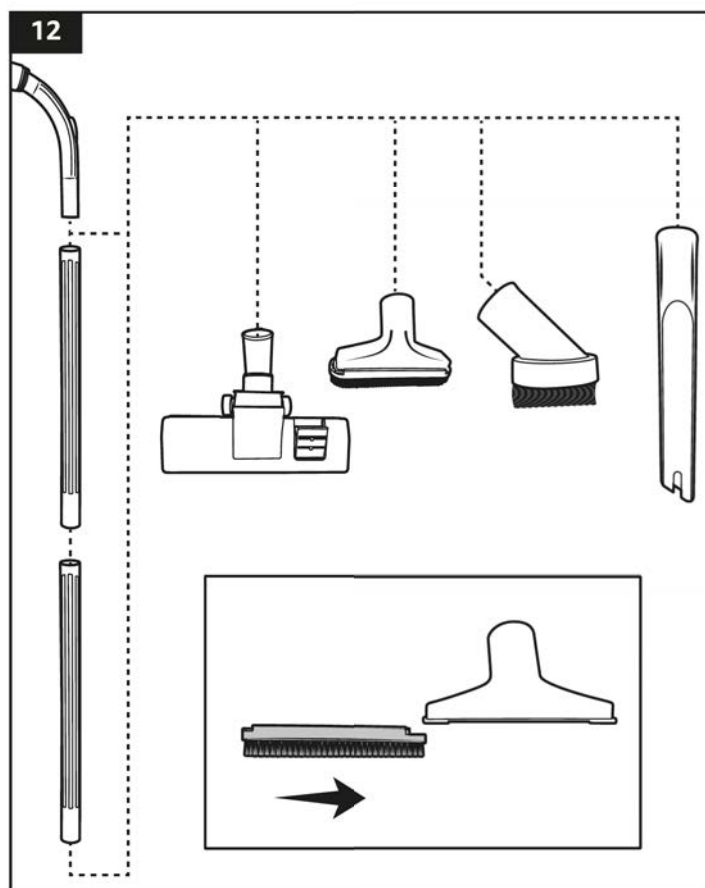
A) Fonction de souffleur : sortie d'air (M) (Ill. 10).

B) Aspiration de déchets secs/humides : entrée du tuyau pour déchets secs/humides (G) (Ill. 11).



REMARQUE Pour retirer le tuyau (O), inversez l'exécution des étapes nécessaires pour le fixer.

2. Raccordez un tube de rallonge (N) et/ou un accessoire (J) à l'autre extrémité du tuyau (O), selon vos besoins (Ill. 12).



6. Utilisation

⚠ AVERTISSEMENT Risques d'explosion et d'incendie!

Ne jamais aspirer de l'amiante, des fluides inflammables, notamment de l'essence, de l'huile, des solvants, etc. Ne pas utiliser l'appareil à proximité de fluides ou de gaz inflammables. Ne jamais aspirer de liquides ou de matériaux dont la température est supérieure à 60 °C, notamment cigarettes, allumettes ou cendres chaudes, etc.

6.1 Mise sous/hors tension

1. Branchez la fiche (L) à une prise de courant appropriée.
2. Pour mettre sous tension le produit, positionnez le commutateur I/O (A) sur I.
3. Pour mettre hors tension le produit, positionnez le commutateur I/O (A) sur O. Débranchez le appareil de la prise de courant.

6.2 Commande d'aspiration

Utilisez la commande de puissance d'aspiration (P) sur le tuyau (O) pour régler la puissance d'aspiration. Ouvrez-la pour réduire la puissance d'aspiration et fermez-la pour augmenter la puissance d'aspiration.

6.3 Aspiration de déchets secs

REMARQUE Risques d'endommagement du produit! Ne jamais aspirer des déchets secs sans le filtre à cartouche ordinaire (T) installé.

6.4 Aspiration de déchets humides

REMARQUE Risques d'endommagement du produit! Ne jamais aspirer des déchets humides sans le filtre en mousse (S) installé.

- Lorsque vous aspirez de grandes quantités de liquides, ne pas plonger complètement le suceur dans le liquide. Laissez un espace à l'extrémité de l'ouverture du suceur pour permettre l'entrée d'air.
- Le produit est équipé d'un flotteur qui interrompt l'aspiration lorsque le contenant atteint sa capacité maximale. Remarquez qu'il y a une augmentation du bruit du moteur. Lorsque cela se produit :

1. Positionnez le commutateur I/O (A) sur **O**.
2. Débranchez l'appareil de la prise de courant, puis dévissez le bouchon de vidange (I).
3. Videz le liquide dans un récipient ou un tuyau d'évacuation approprié.

- Après aspiration de déchets humides :

1. Positionnez le commutateur I/O (A) sur **O**, puis débranchez l'appareil de la prise de courant.
2. Dévissez le bouchon de vidange (I) pour vider le contenant (H).
3. Nettoyez et séchez l'intérieur et l'extérieur de l'appareil avant de le ranger.

6.5 Fonction de souffleur

ATTENTION Risques de blessures!

En cas d'utilisation en guise de souffleur, dirigez le jet d'air uniquement vers la zone de travail. Ne pas utiliser en guise de pulvérisateur. Ne pas diriger l'air vers les passants. Maintenez les enfants éloignés lorsque vous soufflez. Portez un masque anti-poussière si le soufflage crée des poussières susceptibles d'être inhalées.

REMARQUE

- Nous vous recommandons de porter des lunettes de sécurité lors de l'utilisation de la fonction de soufflage afin d'éviter que des débris ne soient projetés ou ne ricochent dans les yeux.
- La fonction de soufflage peut être utilisée pour souffler la poussière derrière les meubles, à l'intérieur des boîtiers des appareils audiovisuels (par les trous d'aération) et pour nettoyer des tuyaux obstrués.

7. Nettoyage et Entretien

AVERTISSEMENT Risques d'électrocution!

- Afin de prévenir tout risque d'électrocution, débranchez le produit avant de procéder à son nettoyage.
- Pendant le nettoyage, ne pas plonger les composants électriques du produit dans l'eau ou dans tout autre liquide. Ne jamais tenir le produit sous l'eau courante.

7.1 Vidange du contenant

Lorsque la puissance d'aspiration diminue, cela peut signifier que le contenant (H) est plein.

- Pour éliminer les déchets issus de l'aspiration de déchets secs, retirez le bloc moteur (E) du contenant (H). Jetez-en ensuite le contenu dans un récipient approprié.
- Lorsque le sac à poussière (U) est plein, jetez-le et remplacez-le par un sac à poussière (U) neuf.
- Pour éliminer des déchets issus de l'aspiration de déchets humides, dévissez le bouchon de vidange (I) afin de vider le contenant (H) dans un récipient ou un tuyau d'évacuation approprié.

7.2 Nettoyage du filtre à cartouche ordinaire

REMARQUE Assurez-vous que le filtre à cartouche ordinaire (T) ne présente aucune déchirure ni aucun petit trou. Un petit trou peut laisser passer la poussière et endommager le bloc moteur. Ne pas utiliser un filtre à cartouche ordinaire (T) présentant des trous ou des déchirures ; remplacez-le immédiatement.

1. Retirez le filtre à cartouche ordinaire (T) du bloc moteur (E).

2. Tapotez le filtre à cartouche ordinaire (T) au-dessus de la poubelle pour éliminer toute la poussière. Ne jamais faire cela dans les espaces d'habitation.
3. Après séchage, fixez à nouveau le filtre à cartouche ordinaire (T) sur le bloc moteur (E).

REMARQUE Risques d'endommagement du produit! Ne pas nettoyer le filtre à cartouche ordinaire (T) dans une machine à laver.

7.3 Nettoyage du filtre en mousse

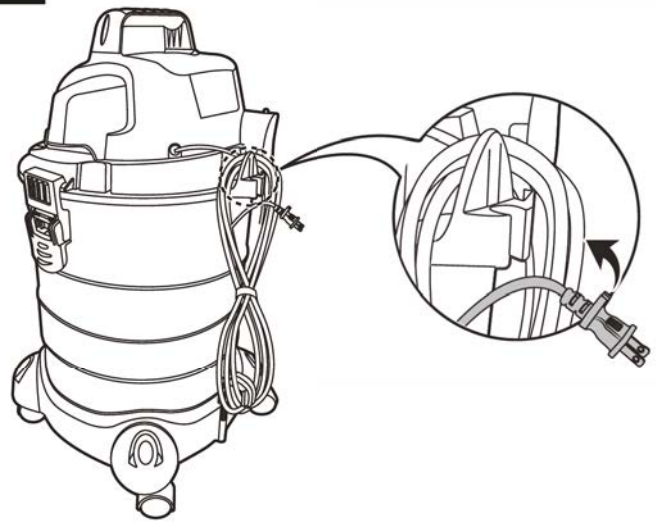
1. Retirez le filtre en mousse (S) du bloc moteur (E).
2. Lavez, puis rincez le filtre avec de l'eau et un détergent doux, puis laissez-le sécher à l'air libre.
3. Après séchage, remettez le filtre à cartouche ordinaire (T) sur le bloc moteur (E).

REMARQUE Risques d'endommagement du produit! Ne pas nettoyer le filtre en mousse (S) dans une machine à laver.

7.4 Rangement

- Les tubes de rallonge (N) et les accessoires (J) peuvent être fixés sur l'emplacement de rangement des accessoires sur les roulettes (R) ou sur le bloc moteur (E).

13



- Enroulez le câble d'alimentation (L) en un faisceau de boucles en l'enroulant sur l'emplacement de rangement du cordon (B) et le crochet de rangement du cordon (C) (Ill. 13).
- Les matériaux des tuyaux sont en plastique. Ne pas ranger dans des endroits où la température est élevée.

7.5 Entretien

- Tous travaux de réparation ou d'entretien autres que ceux mentionnés dans le présent manuel doivent être effectués par un centre de réparation professionnel.


7.6 Pièces de rechange

ATTENTION Risques de blessures!

L'utilisation de pièces qui ne sont pas compatibles avec l'outil peut provoquer des accidents pouvant entraîner des blessures graves.

Description	Numéro ou caractéristiques du modèle
Filtre en mousse	B09HXP5D5RT/VFF5

8. Caractéristiques

Numéro du modèle	VQ607SFD
Tension nominale	120 V CA, 60 Hz
Courant d'entrée nominal	7 A
Puissance d'aspiration	47 po (retrait d'eau)
Classe de protection	À Double isolation 
Puissance de pointe ¹	3,5 HP
Grandeur du réservoir ²	6 gallons (22,7 litres)
Longueur du cordon	12 po (3,6 m)
Diamètre du tuyau	1,25 po (3,2 cm)
Poids net	env. 13,7 lb (6,2 kg)
Dimensions (L x H x P)	env. 14,8 x 13,1 x 20,6 po (37,5 x 33,3 x 52,3 cm)

²« La grandeur du réservoir » désigne le volume réel du réservoir et ne reflète pas la capacité disponible en cours de fonctionnement.

¹ « La puissance de pointe » est un terme utilisé dans le secteur des aspirateurs d'atelier secs et humides à des fins de comparaison par les consommateurs. Il ne s'agit pas de la puissance opérationnelle d'un aspirateur eau/poussière, mais plutôt de la puissance d'un moteur, y compris la contribution inertielle du moteur, obtenue lors d'essais en laboratoire. En utilisation réelle, les moteurs ne fonctionnent pas à la puissance de pointe indiquée.

9. Foire Aux Questions

Problème	Solution
Impossible de mettre le produit sous tension.	Assurez-vous que la fiche est correctement branchée à la prise de courant. Utilisez un testeur de tension afin de vérifier si la prise de courant est sous tension.
Mise sous/hors tension intermittente du produit.	Le branchement du cordon d'alimentation peut s'être desserré suite à une traction accidentelle au fil du temps. Contactez un centre de réparation professionnel.
Faible puissance d'aspiration.	<ul style="list-style-type: none"> ▶ Vérifiez si le tuyau, le tube de rallonge ou l'un des accessoires ne sont pas obstrués. ▶ Le filtre/filtre en mousse est obstrué. Retirez, puis nettoyez le filtre/filtre en mousse. ▶ Le contenant est plein. Videz le contenant.
Le moteur est anormalement bruyant.	<ul style="list-style-type: none"> ▶ Cessez immédiatement d'utiliser le produit. ▶ Vérifiez si le tuyau, le tube de rallonge ou l'un des accessoires ne sont pas obstrués. ▶ Le contenant a atteint sa capacité maximale et le flotteur a interrompu toute aspiration. Videz le contenant. ▶ Si les solutions ci-dessus ne fonctionnent pas, contactez un centre de réparation professionnel.
De la poussière sort du bloc moteur.	<ul style="list-style-type: none"> ▶ Le filtre n'est pas installé. Installez le filtre. ▶ Le filtre est obstrué ou endommagé. ▶ Nettoyez-le ou remplacez-le par un filtre neuf.

10. Vos Avis et Aide

Nous serions ravis de connaître votre avis. Afin de nous assurer de fournir la meilleure expérience client possible, veuillez considérer la rédaction d'un commentaire client.



amazon.com/review/review-your-purchases#

Si vous avez besoin d'assistance concernant votre produit Amazon Basics, veuillez consulter le site web suivant.



amazon.ca/gp/help/customer/contact-us

Tabla de contenido

1. Instrucciones de Seguridad Importantes	20
1.1 Instrucción de polarización	20
1.2 Reparación de electrodomésticos con aislación doble	20
1.3 Seguridad de la función sopladora	20
2. Uso Previsto	20
3. Antes de usar por primera vez	20
4. Descripción del producto	21
5. Instalación	22
5.1 Instalación de las ruedas	22
5.2 Instalación de la empuñadura	22
5.3 Instalación de la bolsa para polvo	23
5.4 Bloqueo/desbloqueo de la unidad motriz del contenedor	23
5.5 Instalación/extracción del filtro	23
5.6 Instalación/extracción del filtro de espuma	24
5.7 Conexión de la manguera y accesorios	24
6. Funcionamiento	25
6.1 Encendido/apagado	25
6.2 Control de succión	25
6.3 Aspirado en seco	25
6.4 Aspirado en mojado	25
6.5 Función de sopladora	25
7. Limpieza y mantenimiento	25
7.1 Vaciado del contenedor	26
7.2 Limpieza del filtro de cartucho estándar	26
7.3 Limpieza del filtro de espuma	26
7.4 Almacenamiento	26
7.5 Mantenimiento	26
7.6 Piezas de repuesto	26
8. Especificaciones	26
9. Preguntas frecuentes	26
10. Comentarios y Ayuda	26

1. INSTRUCCIONES DE SEGURIDAD IMPORTANTES



Lea atentamente estas instrucciones y guárdelas para usarlas más adelante. En caso de entregar este electrodoméstico a un tercero, también se deben incluir estas instrucciones.

Al usar electrodomésticos, se deben seguir siempre las precauciones de seguridad básicas, las cuales incluyen lo siguiente:

LEA TODAS LAS INSTRUCCIONES ANTES DE USAR ESTE ELECTRODOMÉSTICO

⚠️ ADVERTENCIA Riesgo de daños y lesiones.

Para reducir el riesgo de descarga eléctrica, desconecte antes de limpiar o reparar.

⚠️ ADVERTENCIA Riesgo de daños y lesiones.

No exponer a la lluvia. Almacene en interiores.

⚠️ PRECAUCIÓN Riesgo de daños y lesiones.

Para reducir el riesgo de lesiones provocadas por las piezas móviles, desconecte antes de realizar reparaciones

ADVERTENCIA: para reducir el riesgo de incendio, descarga eléctrica o lesiones:

- No deje el electrodoméstico conectado, sino que desconéctelo del tomacorriente cuando no esté en uso y antes de repararlo.
- No lo use como juguete. Se debe prestar atención cada vez que el electrodoméstico sea usado por niños o cerca de ellos.
- Use sólo como se indica en este manual. Use solo los accesorios recomendados por el fabricante.
- No utilice si el cable o enchufe están dañados. Si el electrodoméstico no funciona como debería, se ha caído, dañado, dejado en exteriores o caído al agua, llévelo a un centro de servicio.
- No tire ni transporte desde el cable, no use el cable como manilla, no cierre la puerta apretando el cable ni pase el cable sobre bordes afilados o esquinas. No haga funcionar el electrodoméstico sobre el cable. Mantenga el cable alejado de superficies calientes.
- No lo desenchufe al jalar el cable. Para desconectarlo, tire del enchufe, no del cable.
- No manipule el enchufe o electrodoméstico con las manos mojadas.
- No coloque objetos en las aberturas. No use con las aberturas bloqueadas; mantenga libre de polvo, pelusas, pelos y cualquier elemento que pueda reducir el flujo de aire.
- Mantenga el pelo, prendas sueltas, dedos y partes del cuerpo alejadas de las aberturas y piezas móviles.
- Apague todos los controles antes de desconectar.
- Tenga especial cuidado al limpiar en escaleras.
- No use para aspirar líquidos combustibles o inflamables, como gasolina, ni la use en áreas donde puedan estar presentes.
- Este electrodoméstico posee doble aislación. Utilice únicamente piezas de repuesto idénticas a las originales. Consulte las instrucciones de Reparación de electrodoméstico con doble aislación.
- No aspire nada que esté ardiendo o humeando, como cigarrillos, cerillos o cenizas calientes.
- No usar sin la bolsa para polvo o filtros sin instalar.
- Para reducir el riesgo de descarga eléctrica, utilice solo un cable de extensión hecho para uso en exteriores, como SJW o SJTW.
- Asegúrese de que su cable de extensión esté en buen estado y de que sea del tamaño correcto para su electrodoméstico. A continuación se indica el tamaño correcto, dependiendo del largo del cable y clasificación de amperaje de la placa. Si tiene dudas, utilice el calibre más alto siguiente. Mientras más pequeño sea el número del calibre, más pesado es el cable. Un cable de extensión de tamaño menor provocará una baja en el voltaje y tanto pérdida de energía como sobrecalentamiento.

		Largo del cable de extensión			
120 V		25 pies (7.5 m)	50 pies (15.25 m)	100 pies (30.5 m)	150 pies (45.7 m)
Amperaje		Tamaño A.W.G. del cable			
Más de	No más de				
0	6	18	16	16	14
6	10	18	16	14	12
10	12	16	16	14	12
12	16	14	12	No recomendado	

- No saque la protección de las piezas móviles.

GUARDE ESTAS INSTRUCCIONES

1.1 Instrucción de polarización

Para reducir el riesgo de descarga eléctrica, este electrodoméstico tiene un enchufe polarizado (una punta es más ancha que la otra). Este enchufe entra en tomacorriente polarizado solo de una manera. Si el enchufe no entra del todo en el tomacorriente, inviértalo. Si aún no calza, contacte a un electricista calificado para que instale el tomacorriente adecuado. No cambie el enchufe de ninguna forma.

1.2 Reparación de electrodomésticos con aislación doble

Este producto tiene aislación doble, lo que elimina la necesidad de un sistema de conexión a tierra separado. Utilice únicamente piezas de repuesto idénticas a las originales. Lea las instrucciones de reparación de aspiradoras en seco/mojado con aislación doble primero.

Un electrodoméstico con aislación doble tiene una o más de las siguientes marcas: las palabras "DOBLE AISLACIÓN", "AISLACIÓN DOBLE" o el símbolo de aislación doble (un cuadrado dentro de otro cuadrado).



PRECAUCIÓN

No aspire polvo de yeso-cartón, cenizas u hollín de chimeneas con el filtro para seco/mojado estándar. Este polvo es muy fino y el filtro no lo capturará, por lo que podría producir daños al motor. Al aspirar polvo fino, use un filtro para polvo fino (se vende por separado).

En un electrodoméstico con doble aislación se incluyen dos sistemas de aislamiento en lugar de una conexión a tierra. No se incluyen medios de conexión a tierra en un electrodoméstico con doble aislación, ni tampoco es necesario instalar algún tipo de conexión a tierra en el mismo. La reparación de un electrodoméstico con doble aislación requiere de extremo cuidado y conocimientos del sistema, por lo que solo se debe realizar mediante personal de servicio calificado. Las piezas de repuesto de un electrodoméstico con doble aislación deben ser idénticas a las piezas originales que están reemplazando.

No usar sin los filtros.

1.3 Seguridad de la función sopladora

- Use una máscara al utilizar la función sopladora del electrodoméstico.
- Al usar el electrodoméstico, utilice siempre antiparras de seguridad que cumplan con la norma ANSI Z87.1 o CSAZ94.3.



2. Uso Previsto

- Este producto está hecho para aspirar solo materiales secos y mojados.
- Este producto está hecho solo para uso doméstico.

3. Antes de usar por primera vez

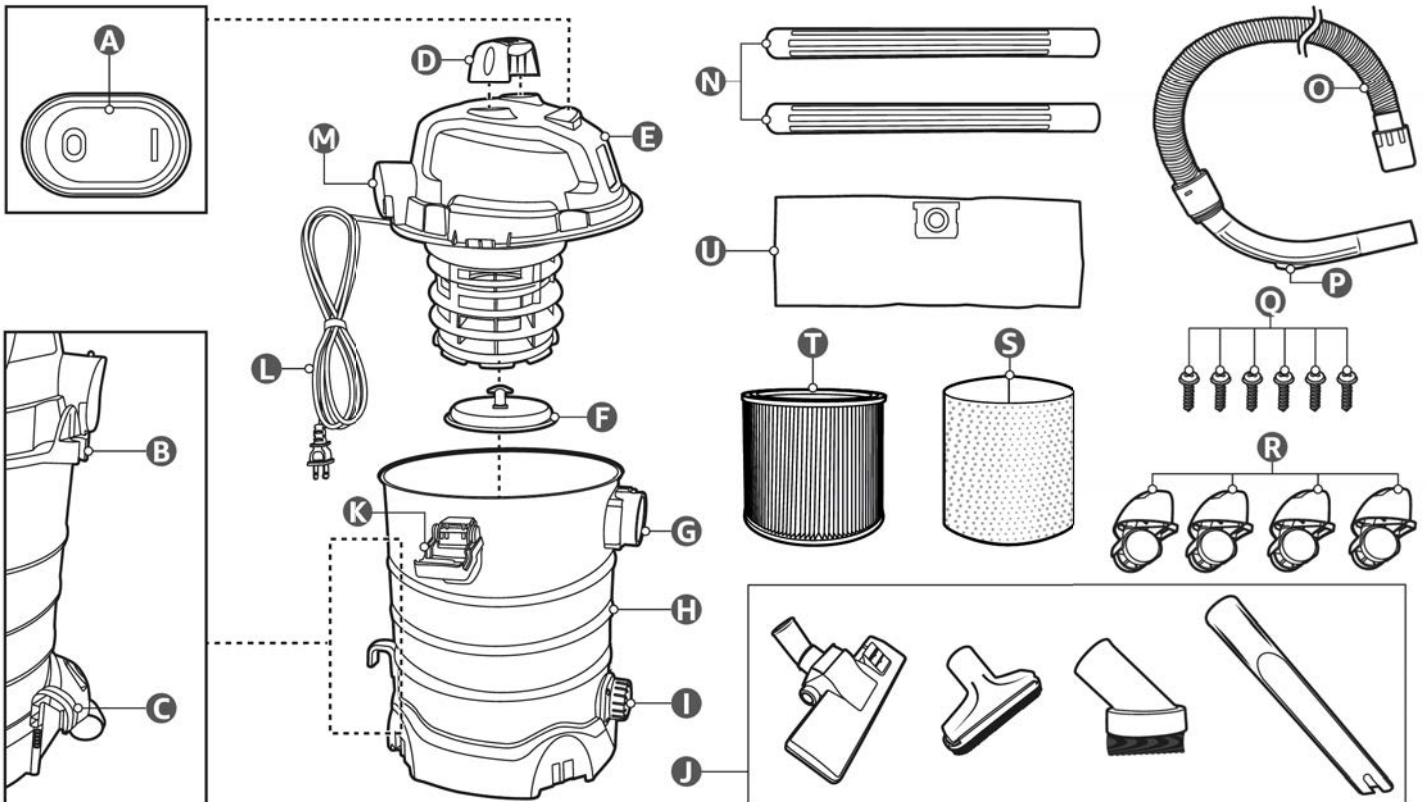
⚠️ PELIGRO ¡Riesgo de asfixia!

Mantenga los materiales de empaque lejos de los niños y mascotas, ya que estos materiales son una posible fuente de peligro (asfixia).

- Saque todos los materiales del empaque.
- Saque y revise todos los componentes antes de ensamblar el producto. Algunas piezas están dentro del contenedor (H).
- Revise que el producto no haya sufrido daños durante su transporte.

- Antes de conectar el producto al suministro de alimentación, revise que el voltaje y la clasificación de la corriente concuerden con los detalles indicados en la etiqueta de clasificación del producto.

4. Descripción del producto



- A** Interruptor I/O
- B** Almacenamiento del cable
- C** Gancho de almacenamiento del cable
- D** Empuñadura
- E** Unidad motriz
- F** Cubierta de bloqueo
- G** Entrada de la manguera para seco/mojado
- H** Contenedor
- I** Tapa de drenaje
- J** Accesorios
- K** Pestillo

- L** Cable de alimentación con enchufe
- M** Salida de aire
- N** Tubo de extensión x2
- O** Manguera
- P** Control de la potencia de succión
- Q** Tornillo x 6
- R** Rueda x4
- S** Filtro de espuma
- T** Filtro de cartucho estándar
- U** Bolsa para polvo (desechable)

Accesorio	Hecho para
Boquilla para pisos multisuperficie	Baldosas, pisos de madera, linóleo
Cepillo para polvo redondo	Quita el polvo y trozos pequeños de tela de hendiduras, esquinas, grietas y otros lugares difíciles de alcanzar; ideal para limpiar un automóvil
Boquilla para hendiduras	Hendiduras, esquinas, grietas y otros lugares de difícil acceso o como boquilla para succionar líquidos derramados
Boquilla utilitaria con cepillo accesorio	Alfombras, sofás, cojines y tapicería en general

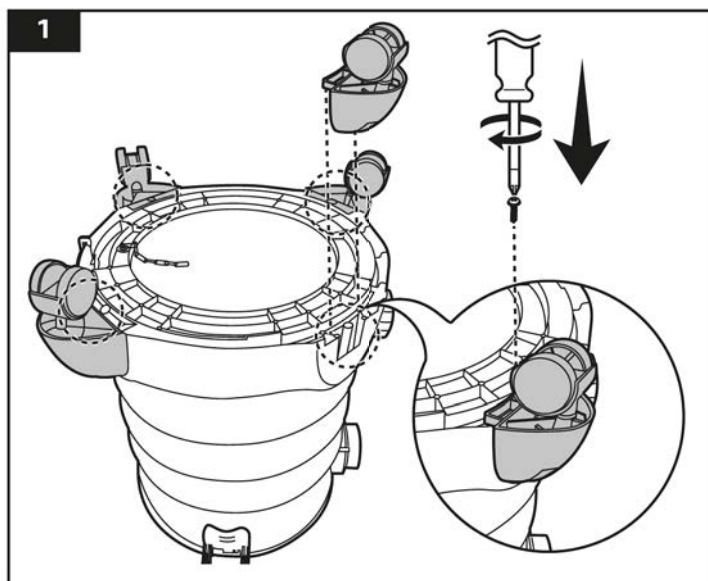
5. Instalación

⚠ PRECAUCIÓN Riesgo de daños y lesiones.

Al cambiar filtros o de función del producto, asegúrese de que esté desconectado al cambiar sus ajustes.

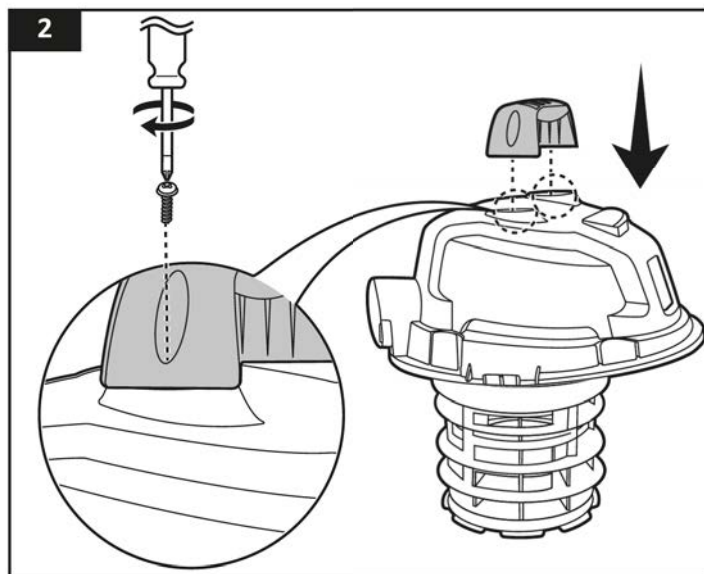
5.1 Instalación de las ruedas

1. Deslice las ruedas (R) hacia la base del contenedor (H) (Fig. 1).
2. Usando un destornillador, fije las ruedas (R) con 4 tornillos (Q) (Fig. 1).



5.2 Instalación de la empuñadura

1. Coloque la empuñadura (D) en la unidad motriz (E) (Fig. 2).
2. Usando un destornillador, fije la empuñadura (D) con 2 tornillos (Q) (Fig. 2).

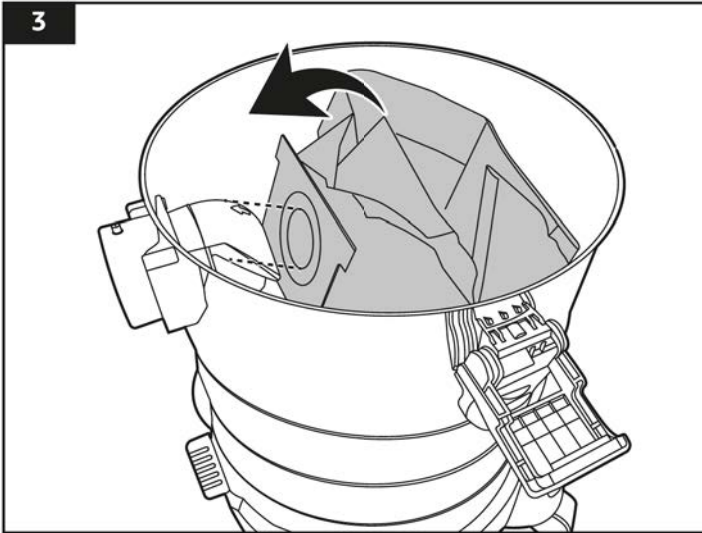


5.3 Instalación de la bolsa para polvo

AVISO

- ▶ Instale la bolsa de polvo (U) cuando aspire en seco polvo fino, como polvo de cemento, cenizas o polvos de yeso-cartón. Tales partículas son demasiado finas como para usar el filtro de cartucho estándar (T). Existe un riesgo de que tales partículas de polvo entren a la unidad motriz (E) y la dañen.
- ▶ Tenga cuidado de no dañar la bolsa de polvo (U).

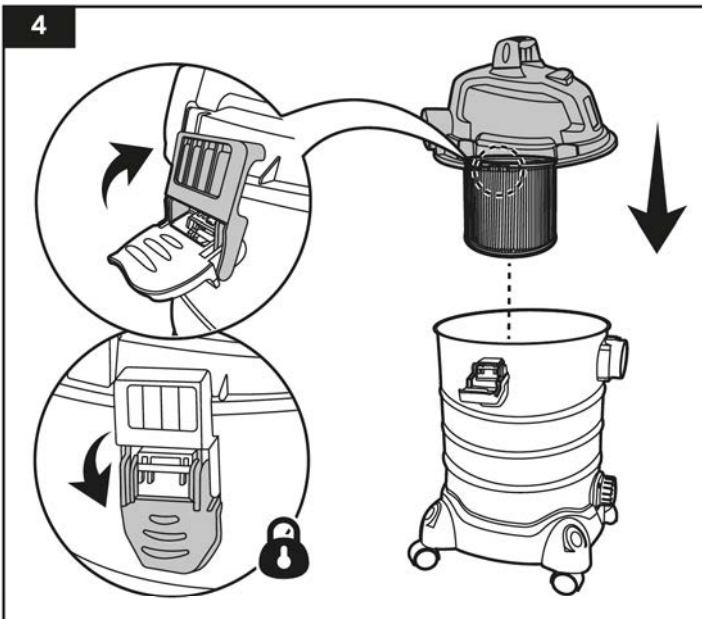
Para mejorar el filtrado de polvo, instale la bolsa de polvo (U) en la parte interna de la entrada de la manguera para seco/mojado (G) (Fig. 3).



5.4 Bloqueo/desbloqueo de la unidad motriz del contenedor

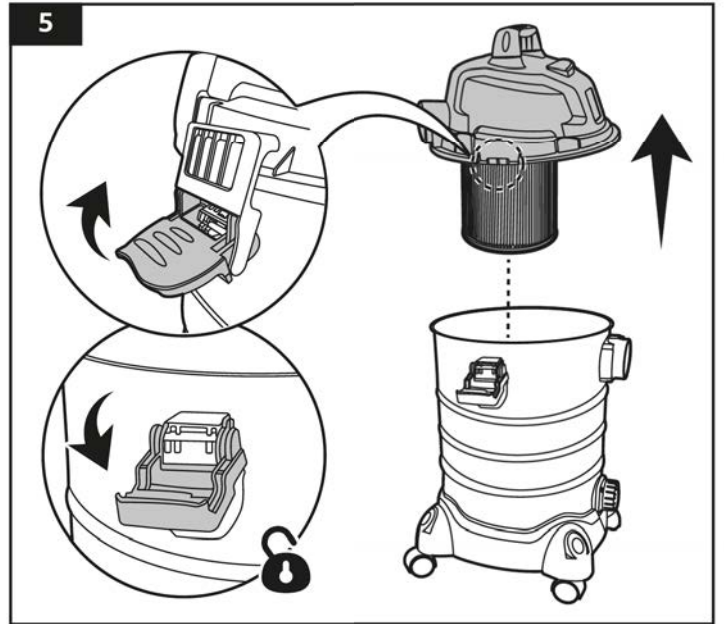
5.4.1 Bloqueo

1. Coloque la unidad motriz (E) sobre el contenedor (H), alineando los costados entre sí (Fig. 4).
2. Mueva los pestillos (K) hacia las ranuras de la unidad motriz (E) y luego presione para bloquear (Fig. 4).



5.4.2 Desbloqueo

Levante las pestañas inferiores de los pestillos (K) para desbloquear la unidad motriz (E) del contenedor (H) (Fig. 5).

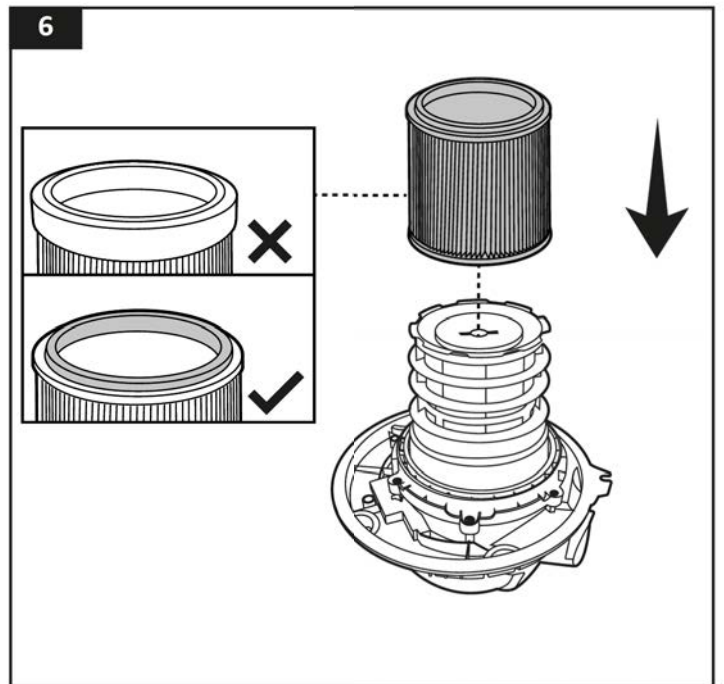


5.5 Instalación/extracción del filtro

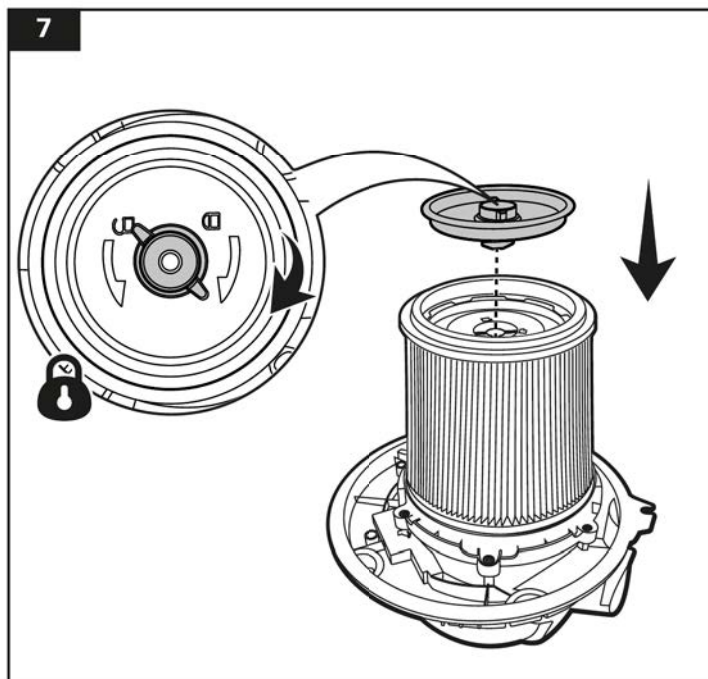
AVISO El filtro de cartucho estándar (T) es solo para aspirar en seco.

5.5.1 Instalación

1. Coloque la unidad motriz (E) boca abajo sobre una superficie plana y nivelada.
2. Empuje el filtro de cartucho estándar (T) hacia la unidad motriz (E) (Fig. 6). El extremo del filtro de cartucho estándar (T) con el sello de goma debe quedar hacia arriba.

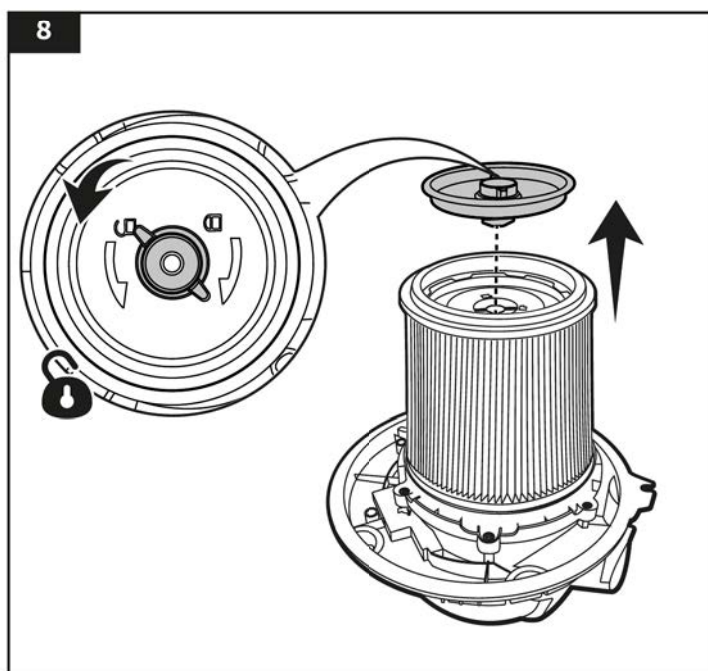


- Coloque la cubierta de bloqueo (F) (Fig. 7).
- Gire la perilla de la cubierta de bloqueo (F) hacia la derecha para fijar en posición (Fig. 7).



5.5.2 Extracción

- Coloque la unidad motriz (E) boca abajo sobre una superficie plana y nivelada.
- Gire la perilla de la cubierta de bloqueo (F) hacia la izquierda para desbloquear (Fig. 8).
- Saque la cubierta de bloqueo (F) (Fig. 8).



- Saque el filtro (T) de la unidad motriz (E).

5.6 Instalación/extracción del filtro de espuma

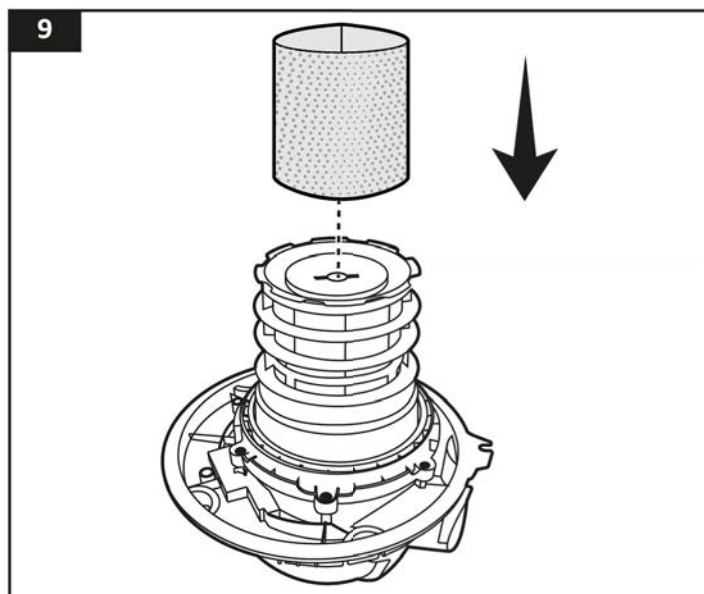
PRECAUCIÓN

Tenga precaución al insertar el filtro de espuma (S) en la unidad motriz (E). El material es frágil y de calce ajustado.

AVISO El filtro de espuma (S) es solo para aspirar en mojado.

5.6.1 Instalación

- Coloque la unidad motriz (E) boca abajo sobre una superficie plana y nivelada.
- Instale el filtro de espuma (S) en la unidad motriz (E) (Fig. 9).



- Compruebe que el filtro de espuma (S) envuelva completamente el área de la caja de la unidad motriz (E).

5.6.2 Extracción

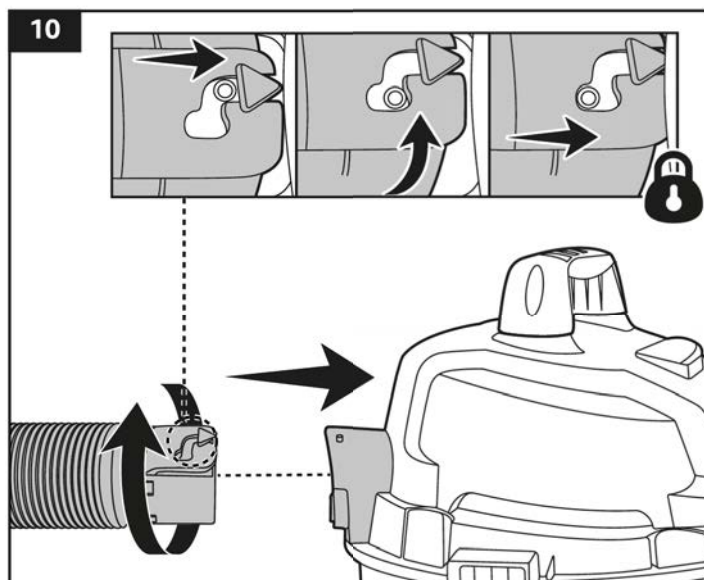
- Coloque la unidad motriz (E) boca abajo sobre una superficie plana y nivelada.
- Quite el filtro de espuma (S) de la unidad motriz (E).

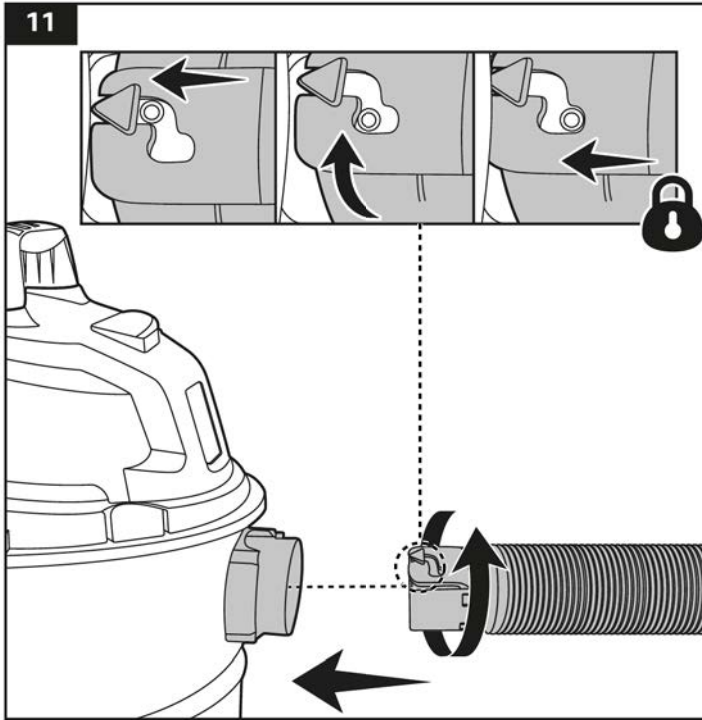
5.7 Conexión de la manguera y accesorios

- Conecte el extremo ancho de la manguera (O) a la entrada de la manguera (G/M) deseada y gire hacia la derecha para bloquearlo en posición.

A) Función sopladora: salida de aire (M) (Fig. 10).

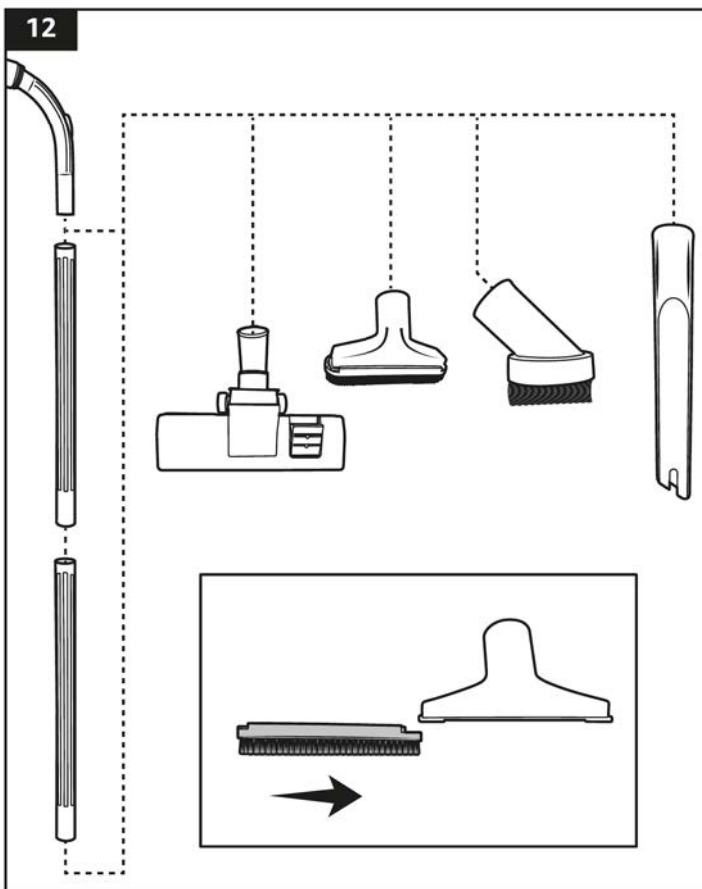
B) Aspirado en seco/mojado: entrada de la manguera para seco/mojado (G) (Fig. 11).





AVISO Para extraer la manguera (O), invierta los pasos necesarios para instalarla.

2. Conecte un tubo de extensión (N) o accesorio (J) al otro extremo de la manguera (O) según desee (Fig. 12).



6. Funcionamiento

⚠ ADVERTENCIA ¡Riesgo de explosión e incendio!

Jamás aspire asbestos, líquidos inflamables, como petróleo, aceite, solventes, etc. No usar cerca de líquidos o gases inflamables. Jamás aspire líquidos o materiales calientes a más de 60 °C, como cigarrillos, cerillos o cenizas calientes, etc.

6.1 Encendido/apagado

1. Conecte el enchufe (L) a un tomacorriente apto.
2. Para encender el producto, coloque el interruptor I/O (A) en la posición I.
3. Para apagar, coloque el interruptor I/O (A) en la posición O. Desconecte el producto del tomacorriente.

6.2 Control de succión

Use el control de la potencia de succión (P) de la manguera (O) para ajustar la potencia de succión. Abra para reducir la potencia de succión y cierre para aumentarla.

6.3 Aspirado en seco

AVISO ¡Riesgo de daños al producto! Jamás aspire en seco sin el filtro de cartucho estándar (T) instalado.

6.4 Aspirado en mojado

AVISO ¡Riesgo de daños al producto! Jamás aspire en mojado sin el filtro de espuma (S) instalado.

- ▶ Al aspirar grandes cantidades de líquido, no sumerja la boquilla completamente en el líquido. Deje una brecha en la punta de la abertura de la boquilla para permitir que entre aire.
- ▶ El producto posee un flotador que detiene la succión cuando el contenedor se llena. Tenga en cuenta que el motor hará más ruido. Cuando esto ocurra:

1. Mueva el interruptor I/O (A) hacia la posición O.
2. Desconecte del tomacorriente y desatornille la tapa de drenaje (I).
3. Drene el líquido en un receptáculo o drenaje adecuado.

- ▶ Después de aspirar en mojado:

1. Mueva el interruptor I/O (A) hacia la posición O y desconecte del tomacorriente.
2. Saque la tapa de drenaje (I) para vaciar el contenedor (H).
3. Limpie y seque tanto el interior como el exterior antes de almacenar.

6.5 Función de sopladora

⚠ PRECAUCIÓN ¡Riesgo de lesión!

Al usar como sopladora, descargue el aire directamente solo en el área de trabajo. No lo use como rociadora. No dirija el aire hacia personas. Mantenga a los niños alejados al usar como sopladora. Use una máscara antipolvo si el uso del producto genera polvos que podrían inhalarse.

AVISO

- ▶ Se recomienda usar antiparras de seguridad al utilizar la función de sopladora, a fin de evitar que sedimentos salgan expelidos hacia los ojos.

- ▶ La función de sopladora se puede usar para sacar el polvo de detrás de los muebles, desde el interior de carcasas de electrodomésticos o sistemas de video y para desbloquear mangueras bloqueadas.

7. Limpieza y mantenimiento

⚠ ADVERTENCIA ¡Riesgo de descarga eléctrica!

- ▶ Para evitar descargas eléctricas, desenchufe el equipo antes de limpiarlo.
- ▶ Durante la limpieza, no sumerja las piezas eléctricas del producto en agua u otros líquidos. Jamás coloque el producto bajo un flujo de agua.

7.1 Vaciado del contenedor

Cuando la potencia de succión disminuya, significa que el contenedor (H) está lleno.

- ▶ Para desechar lo aspirado al operar en seco, saque la unidad motriz (E) del contenedor (H). Deseche el contenido en un receptáculo adecuado.
- ▶ Cuando la bolsa de polvo (U) se llene, deseche la que esté llena y cámbiela por una nueva bolsa de polvo (U).
- ▶ Para desechar lo aspirado al operar en mojado, saque la tapa de drenaje (I) para vaciar el contenedor (H) en un receptáculo o drenaje adecuado.

7.2 Limpieza del filtro de cartucho estándar

AVISO Compruebe que el filtro de cartucho estándar (T) no tenga desgarros u orificios pequeños. Un pequeño orificio puede dejar pasar el polvo y dañar la unidad motriz. No use un filtro de cartucho estándar (T) con orificios o desgarros. En caso de tener estos daños, reemplácelo inmediatamente.

1. Quite el filtro de cartucho estándar (T) de la unidad motriz (E).
2. Golpee el filtro de cartucho estándar (T) sobre el basurero para quitar el polvo. Jamás haga esto en espacios interiores habitados.
3. Después de secarlo, reinstale el filtro de cartucho estándar (T) en la unidad motriz (E).

AVISO ¡Riesgo de daños al producto! No limpie el filtro de cartucho estándar (T) en una lavadora.

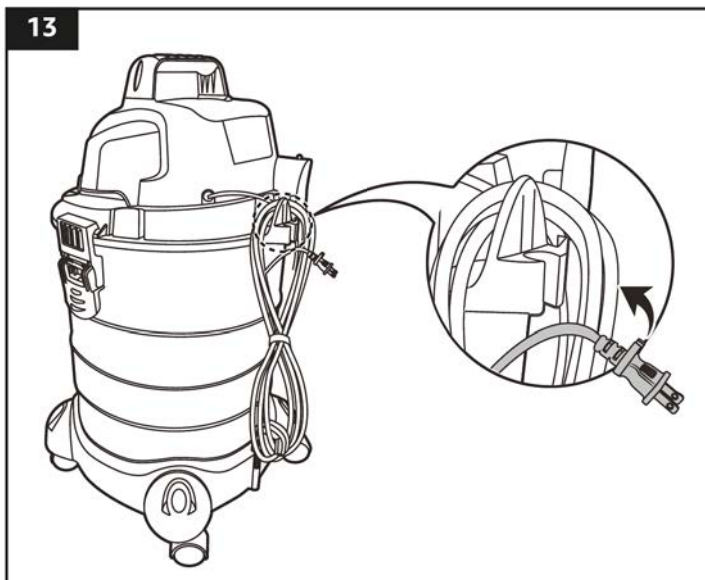
7.3 Limpieza del filtro de espuma

1. Quite el filtro de espuma (S) de la unidad motriz (E).
2. Lave y enjuague el filtro con agua y un detergente suave; luego, déjelo secar por completo.
3. Después de secarlo, reinstale el filtro de espuma (S) en la unidad motriz (E).

AVISO ¡Riesgo de daños al producto! No limpie el filtro de espuma (S) en una lavadora.

7.4 Almacenamiento

- ▶ Los tubos de extensión (N) y accesorios (J) se pueden colocar en el espacio de almacenamiento para accesorios de las ruedas (R) o en la unidad motriz (E).



- ▶ Enrolle el cable de alimentación (L) de forma circular colocándolo alrededor del almacenamiento del cable (B) y gancho de almacenamiento del cable (C) (Fig. 13).
- ▶ Los materiales de la manguera son plásticos. No almacene en áreas con altas temperaturas.

7.5 Mantenimiento

- ▶ Cualquier otra reparación aparte de las mencionadas en este manual se deberá realizar en un centro de reparación profesional.

7.6 Piezas de repuesto

⚠ PRECAUCIÓN ¡Riesgo de lesión!

Usar piezas no compatibles con la herramienta puede provocar accidentes que pueden generar lesiones graves.

Descripción	Número de modelo o especificación
Filtro de espuma	B09HXPD5RT/VFF5

8. Especificaciones

Número de modelo	VQ607SFD
Tensión nominal	120 V CA, 60 Hz
Corriente de entrada nominal	7 A
Potencia de succión	47 de bombeo de agua (pulgadas)
Clase de protección	Aislación doble
Caballos de fuerza máximos ¹	3.5 HP
Tamaño del tanque ²	6 galones (22.7 L)
Largo del cable	12 pulgadas (3.6 m)
Diámetro de la manguera	1.25 pulgadas (3.2 cm)
Peso neto	aprox. 13.7 lbs. (6.2 kg)
Dimensiones (An x Al x Pr)	aprox. 14.8 x 13.1 x 20.6 pulgadas (37.5 x 33.3 x 52.3 cm)

²“Tamaño del tanque” se refiere al volumen del tanque y no refleja la capacidad disponible durante el funcionamiento.

¹ “Caballos de fuerza máximos” es un término que se utiliza en la industria de aspiradoras en seco-mojado para propósitos de comparación. No denota la potencia en caballos de fuerza de una aspiradora, sino más bien la potencia en caballos de fuerza de un motor, incluida la contribución inercial del motor, lograda en pruebas de laboratorio. En el uso real, los motores no funcionan a la potencia máxima indicada.

9. Preguntas frecuentes

Problema	Solución
El producto no enciende.	Revise que el enchufe esté conectado a un tomacorriente. Use un voltímetro para comprobar que el tomacorriente tiene energía.
Encendido/apagado del producto.	La conexión del cable de alimentación podría haberse soltado tras tirones accidentales con el tiempo. Contacte a un centro de reparación profesional.
Baja potencia de succión.	<ul style="list-style-type: none"> ▶ Compruebe que la manguera, tubo de extensión y accesorios no estén obstruidos. ▶ El filtro/filtro de espuma está tapado. Saque y limpie el filtro/filtro de espuma. ▶ El contenedor está lleno. Vacíe el contenedor.
El motor está anormalmente ruidoso.	<ul style="list-style-type: none"> ▶ Deje de usar el producto inmediatamente. ▶ Compruebe que la manguera, tubo de extensión y accesorios no estén obstruidos. ▶ El contenedor alcanzó su máxima capacidad y el flotador detuvo la succión. Vacíe el contenedor. ▶ Si las soluciones anteriores no funcionan, contacte a un centro de reparación profesional.
Cae polvo desde la unidad motriz.	<ul style="list-style-type: none"> ▶ El filtro no está instalado. Instale el filtro. ▶ El filtro está tapado o dañado. ▶ Limpie o reemplace con un filtro nuevo.

10. Comentarios y Ayuda

Nos encantaría conocer su opinión. Para obtener la mejor experiencia posible, le agradeceremos que escriba una opinión del cliente.

amazon.com.mx/review/review-your-purchases#

Si necesita ayuda con su producto Amazon Basics, utilice el siguiente sitio web.

amazon.com.mx/gp/help/customer/contact-us

amazon basics

amazon.com/AmazonBasics

MADE IN CHINA
FABRIQUÉ EN CHINE
HECHO EN CHINA

V01-07/22