

# Operator's Manual

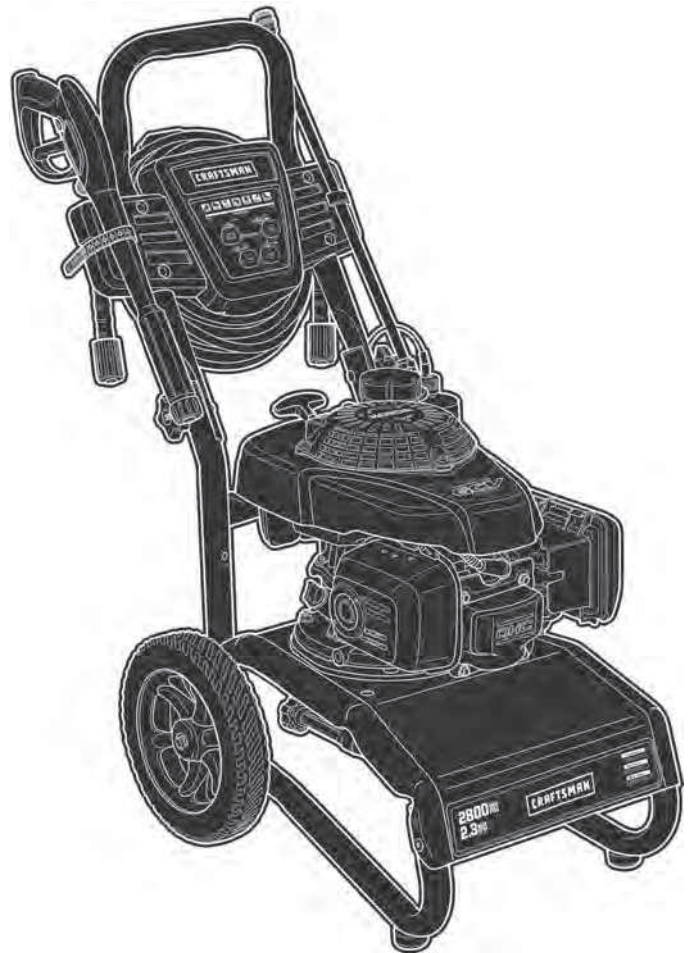
# CRAFTSMAN®

2800 MAX PSI\*

2.3 MAX GPM

## PRESSURE WASHER

Model No. 580.754911



**PRESSURE WASHER  
CUSTOMER HELPLINE  
1-800-222-3136**

**HOURS: Mon. - Fri. 8 a.m. to 5 p.m. (CT)**



### WARNING

Before using this product, read this manual and follow all Safety Rules and Operating Instructions.



### ADVERTENCIA

Antes de utilizar el producto, lea este manual y siga todas las Reglas de Seguridad e Instrucciones de Uso.

- Safety
- Assembly
- Operation
- Maintenance
- Parts
- Español, p. 34

\* This pressure washer is rated in accordance to the Pressure Washer Manufacturers Association (PWMA) standard PW101-2010 (Testing and Rating Performance of Pressure Washers).

\* Esta limpiadora a presión está clasificada conforme a la norma PW101-2010 (comprobación y clasificación de rendimiento de limpiadoras a presión) de la Asociación de fabricantes de bombas a presión (Pressure Washer Manufacturers Association, PWMA).

**Sears Brands Management Corporation, Hoffman Estates, IL 60179 U.S.A.**

**Visit our Craftsman website: [www.craftsman.com](http://www.craftsman.com)**

Part No. 80013355 Draft - (01/14/2015)

# TABLE OF CONTENTS

WARRANTY . . . . .	2	STORAGE . . . . .	22-23
REPAIR PROTECTION AGREEMENT . . . . .	2	TROUBLESHOOTING . . . . .	24
SAFETY RULES . . . . .	3-5	REPLACEMENT PARTS . . . . .	25-31
FEATURES AND CONTROLS . . . . .	6	EMISSION CONTROL WARRANTY . . . . .	32-33
ASSEMBLY . . . . .	7-10	ESPAÑOL . . . . .	34-59
OPERATION . . . . .	11-15	HOW TO ORDER PARTS . . . . .	BACK PAGE
SPECIFICATIONS . . . . .	16		
MAINTENANCE . . . . .	17-21		

## WARRANTY

### CRAFTSMAN LIMITED WARRANTY

FOR TWO YEARS from the date of sale, this product is warranted against defects in material or workmanship. WITH PROOF OF SALE, a defective product will receive free repair or replacement at option of seller.

For warranty coverage details to obtain free repair or replacement, visit the web page: [www.craftsman.com/warranty](http://www.craftsman.com/warranty)

This warranty covers ONLY defects in material and workmanship. Warranty coverage does NOT include:

- Expendable items that can wear out from normal use within the warranty period, such as spray guns, hoses, nozzle extensions, nozzles, spray tips, filters or spark plugs.
- Product damage resulting from user attempts at product modification or repair or caused by product accessories.
- Repairs necessary because of accident or failure to operate or maintain the product according to all supplied instructions.
- Preventive maintenance, or repairs necessary due to improper fuel mixture, contaminated or stale fuel.

This warranty is void if this product is ever used while providing commercial services or if rented to another person.

This warranty gives you specific legal rights, and you may also have other rights which vary from state to state.

**Sears Brands Management Corporation, Hoffman Estates, IL 60179**

## REPAIR PROTECTION AGREEMENT

*Congratulations on making a smart purchase.*

Your new Craftsman® product is designed and manufactured for years of dependable operation. But like all products, it may require repair from time to time. That's when having a Repair Protection Agreement can save you money and aggravation.

**Here's what the Repair Protection Agreement\* includes:**

- **Expert service** by our 10,000 professional repair specialists
- **Unlimited service and no charge** for parts and labor on all covered repairs
- **Product replacement** up to \$1500 if your covered product can't be fixed
- **Discount of 25%** from regular price of service and related installed parts not covered by the agreement; also, 25% off regular price of preventive maintenance check
- **Fast help by phone** – we call it Rapid Resolution – phone support from a Sears representative. Think of us as a “talking owner's manual”.

Once you purchase the Repair Protection Agreement, a simple phone call is all it takes for you to schedule service. You can call anytime day or night, or schedule a service appointment online.

The Repair Protection Agreement is a risk-free purchase. If you cancel for any reason during the product warranty period, we will provide a full refund. Or, a prorated refund anytime after the product warranty period expires. Purchase your Repair Protection Agreement today!

**Some limitations and exclusions apply. For prices and additional information in the U.S.A. call 1-800-827-6655.**

**\* Coverage in Canada varies on some items. For full details, call Sears Canada at 1-800-361-6665.**

### Sears Installation Service

*For Sears professional installation* of home appliances, garage door openers, water heaters, and other major home items, in the U.S.A. or Canada call **1-800-4-MY-HOME®**.



# SAFETY RULES



Read this manual carefully and become familiar with your pressure washer. Know its applications, its limitations, and any hazards involved.

## Important Safety Information

### Safety Symbols and Meanings



Operator's Manual



Toxic Fumes



Electrical Shock



Slippery Surface



Fall



Fluid Injection



Fire



Explosion



Kickback



Projectile



Moving Parts



Flying Objects



Chemical Burn



Hot Surface

⚠ The safety alert symbol indicates a potential personal injury hazard. A signal word (DANGER, WARNING, or CAUTION) is used with the alert symbol to designate a degree or level of hazard seriousness. A safety symbol may be used to represent the type of hazard. The signal word *NOTICE* is used to address practices not related to personal injury.

⚠ **DANGER** indicates a hazard which, if not avoided, *will* result in death or serious injury.

⚠ **WARNING** indicates a hazard which, if not avoided, *could* result in death or serious injury.

⚠ **CAUTION** indicates a hazard which, if not avoided, *could* result in minor or moderate injury.

**NOTICE** address practices not related to personal injury.

⚠ **WARNING** The engine exhaust from this product contains chemicals known to the State of California to cause cancer, birth defects, or other reproductive harm.

⚠ **WARNING** This product contains lead and lead compounds, known to the State of California to cause birth defects or other reproductive harm. *Wash your hands after handling this product.*

⚠ **WARNING** POISONOUS GAS HAZARD.



Engine exhaust contains carbon monoxide, a poisonous gas that could kill you in minutes. You CANNOT smell it, see it, or taste it. Even if you do not smell exhaust fumes, you could still be exposed to carbon monoxide gas. Some chemicals or detergents could be harmful if inhaled or ingested, resulting in death, serious injury, nausea, fainting or poisoning.

- Operate this product ONLY outside far away from windows, doors and vents to reduce the risk of carbon monoxide gas from accumulating and potentially being drawn towards occupied spaces.
- Install battery-operated carbon monoxide alarms or plug-in carbon monoxide alarms with battery back-up according to the manufacturer's instructions. Smoke alarms cannot detect carbon monoxide gas.
- DO NOT run this product inside homes, garages, basements, crawlspaces, sheds, or other partially-enclosed spaces even if using fans or opening doors and windows for ventilation. Carbon monoxide can quickly build up in these spaces and can linger for hours, even after this product has shut off.
- ALWAYS place this product downwind and point the engine exhaust away from occupied spaces.

If you start to feel sick, dizzy, or weak while using this product, get to fresh air RIGHT AWAY. See a doctor. You may have carbon monoxide poisoning.


- Use a respirator or mask whenever there is a chance that vapors may be inhaled when using chemicals.
- Read all instructions with mask so you are certain the mask will provide the necessary protection against inhaling harmful vapors when using chemicals.

⚠ **WARNING** Chemical Burn Hazard.




Chemicals could cause burns resulting in death or serious injury.


- DO NOT use caustic liquid with pressure washer.
- Use ONLY pressure washer safe detergents/soaps. Follow all manufacturers instructions.

 **WARNING** Starter cord kickback (rapid retraction) will pull hand and arm toward engine faster than you can let go which could cause broken bones, fractures, bruises, or sprains resulting in serious injury.


- NEVER pull starter cord without first relieving spray gun pressure.
- When starting engine, pull cord slowly until resistance is felt and then pull rapidly to avoid kickback.
- After each starting attempt, where engine fails to run, always point spray gun in safe direction, press red button and squeeze spray gun trigger to release high pressure.
- Firmly grasp spray gun with both hands when using high pressure spray to avoid injury when spray gun kicks back.

 **WARNING** Risk of electrocution. Contact with power source could cause electric shock or burn resulting in death or serious injury.

- NEVER spray near power source.

 **WARNING** The high pressure stream of water that this equipment produces could cut through skin and its underlying tissues, resulting in serious injury and possible amputation. Spray gun traps high water pressure, even when engine is stopped and water is disconnected, which could result in serious injury.

- If cut by fluid, call physician immediately. DO NOT treat as a simple cut.
- DO NOT allow CHILDREN to operate pressure washer.
- NEVER repair high pressure hose. Replace it.
- NEVER repair leaking connections with sealant of any kind. Replace o-ring or seal.
- NEVER connect high pressure hose to nozzle extension.
- Keep high pressure hose connected to pump and spray gun while system is pressurized.
- ALWAYS point spray gun in safe direction, press red button and squeeze spray gun trigger to release high pressure, every time you stop engine.
- NEVER aim spray gun at people, animals, or plants.
- DO NOT secure spray gun in open position.
- DO NOT leave spray gun unattended while machine is running.
- NEVER use a spray gun which does not have a trigger lock or trigger guard in place and in working order.
- Always be certain spray gun, nozzles and accessories are correctly attached.

 **WARNING** Fuel and its vapors are extremely flammable and explosive which could cause burns, fire or explosion resulting in death or serious injury.

**WHEN ADDING OR DRAINING FUEL**

- Turn pressure washer engine OFF and let it cool at least 2 minutes before removing fuel cap. Loosen cap slowly to relieve pressure in tank.
- Fill or drain fuel tank outdoors.
- DO NOT overfill tank. Allow space for fuel expansion.
- If fuel spills, wait until it evaporates before starting engine.
- Keep fuel away from sparks, open flames, pilot lights, heat, and other ignition sources.
- Check fuel lines, tank, cap and fittings frequently for cracks or leaks. Replace if necessary.
- DO NOT light a cigarette or smoke.

**WHEN STARTING EQUIPMENT**

- Ensure spark plug, muffler, fuel cap, and air cleaner are in place.
- DO NOT crank engine with spark plug removed.

**WHEN OPERATING EQUIPMENT**


- DO NOT operate this product inside any building, carport, porch, mobile equipment, marine applications, or enclosure.
- DO NOT tip engine or equipment at angle which causes fuel to spill.
- DO NOT spray flammable liquids.

**WHEN TRANSPORTING, MOVING OR REPAIRING EQUIPMENT**

- Transport/move/repair with fuel tank EMPTY or with fuel shutoff valve OFF (0).
- DO NOT tip engine or equipment at angle which causes fuel to spill.
- Disconnect spark plug wire.

**WHEN STORING FUEL OR EQUIPMENT WITH FUEL IN TANK**

- Store away from furnaces, stoves, water heaters, clothes dryers, or other appliances that have pilot light or other ignition source because they could ignite fuel vapors.

 **WARNING** Exhaust heat/gases could ignite combustibles, structures or damage fuel tank causing a fire, resulting in death or serious injury.

Contact with muffler area could cause burns resulting in serious injury.

- DO NOT touch hot parts and AVOID hot exhaust gases.
- Allow equipment to cool before touching.
- Keep at least 5 ft. (1.5 m) of clearance on all sides of pressure washer including overhead.
- It is a violation of California Public Resource Code, Section 4442, to use or operate the engine on any forest-covered, brush-covered, or grass-covered land unless the exhaust system is equipped with a spark arrester, as defined in Section 4442, maintained in effective working order. Other states or federal jurisdictions may have similar laws.

Contact the original equipment manufacturer, retailer, or dealer to obtain a spark arrester designed for the exhaust system installed on this engine.

- Replacement parts must be the same and installed in the same position as the original parts.

**⚠ WARNING** Use of pressure washer could create puddles and slippery surfaces causing you to fall resulting in death or serious injury.



Kickback from spray gun could cause you to fall resulting in death or serious injury.

- Operate pressure washer from a stable surface.
- The cleaning area should have adequate slopes and drainage to reduce the possibility of a fall due to slippery surfaces.
- Be extremely careful if you must use the pressure washer from a ladder, scaffolding, or any other similar location.
- Firmly grasp spray gun with both hands when using high pressure spray to avoid injury when spray gun kicks back.

**⚠ WARNING** Unintentional sparking could cause fire or electric shock resulting in death or serious injury.



**WHEN ADJUSTING OR MAKING REPAIRS TO YOUR PRESSURE WASHER**

- Disconnect the spark plug wire from the spark plug and place the wire where it cannot contact spark plug.

**WHEN TESTING FOR ENGINE SPARK**

- Use approved spark plug tester.
- DO NOT check for spark with spark plug removed.

**⚠ WARNING** Starter and other rotating parts could entangle hands, hair, clothing, or accessories resulting in serious injury.



- NEVER operate pressure washer without protective housing or covers.
- DO NOT wear loose clothing, jewelry or anything that could be caught in the starter or other rotating parts.
- Tie up long hair and remove jewelry.

**⚠ WARNING** Risk of eye or bodily injury. Spray could splash back or propel objects resulting in serious injury.



- Always wear indirect vented (chemical splash) safety goggles marked to comply with ANSI Z87.1 when using or in vicinity of this equipment.
- NEVER substitute safety glasses or dry-condition goggles for indirect vented safety goggles.
- Always wear protective clothing such as a long-sleeved shirt, long pants and close-toed shoes.
- NEVER operate pressure washer when barefoot or wearing sandals or shorts.

**⚠ CAUTION** Excessively high operating speeds could result in minor injury.

Excessively low speeds impose a heavy load.

- DO NOT tamper with governor spring, links or other parts to increase engine speed. Pressure washer supplies correct rated pressure and flow when running at governed speed.
- DO NOT modify pressure washer in any way.

**NOTICE** High pressure spray could damage fragile items including glass.

- DO NOT point spray gun at glass when using red (0°) spray tip.
- NEVER aim spray gun at plants.

**NOTICE** Improper treatment of pressure washer could damage it and shorten its life.

- If you have questions about intended use, ask dealer or contact qualified service center.
- NEVER operate units with broken or missing parts, or without protective housing or covers.
- DO NOT by-pass any safety device on this machine.
- DO NOT tamper with governed speed.
- DO NOT operate pressure washer above rated pressure.
- DO NOT modify pressure washer in any way.
- Before starting pressure washer in cold weather, check all parts of the equipment to be sure ice has not formed there.
- NEVER move machine by pulling on hoses. Use handle provided on unit.
- This equipment is designed to be used with Sears authorized parts **ONLY**. If equipment is used with parts that DO NOT comply with minimum specifications, user assumes all risks and liabilities.

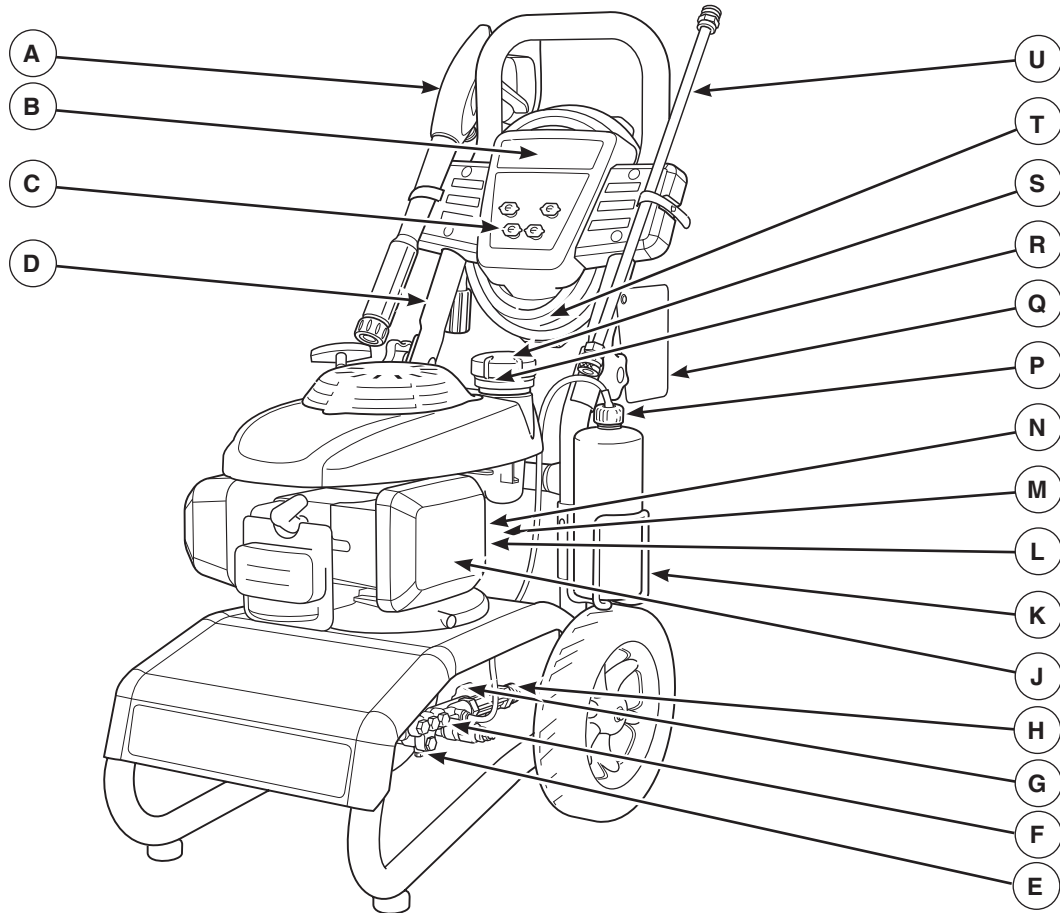
# FEATURES AND CONTROLS

## KNOW YOUR PRESSURE WASHER



**Read the Operator's Manual and safety rules before operating your pressure washer.**

Compare the illustrations with your pressure washer to familiarize yourself with the locations of various controls and adjustments. Save this manual for future reference.



**A - Spray Gun** — Controls the application of water onto cleaning surface with trigger device. Includes trigger lock.

**B - Accessory Tray** — Provides convenient storage for accessories, such as gun, nozzle extension, etc.

**C - Spray Tips** — Detergent, 0°, 15° and 40°: for various high pressure cleaning applications.

**D - Fold Down Handle** — Handle and accessory tray fold flat atop cold engine for space-saving storage.

**E - Automatic Cool Down System** — Cycles water through pump when water reaches 125°-155°F. Warm water will discharge from pump onto ground. This system prevents internal pump damage.

**F - Pump** — Develops high pressure.

**G - Water Inlet** — Connection for garden hose.

**H - High Pressure Outlet** — Connection for high pressure hose.

**J - Air Filter** — Protects engine by filtering dust and debris out of intake air.

**K - Bottle Bracket** — Cleaning solution bottle fits in wire form bracket here. Concentrate bottle not included.

**L - Fuel Valve** — Used to turn fuel supply on and off to engine.

**M - Choke Rod** — Prepares a cold engine for starting.

**N - Engine Switch** — Sets engine in starting mode for recoil starter and stops a running engine.

**P - Project Pro® Perfect Mix™ Siphon** — Mixes concentrate with pressure washer spray.

**Q - Warning/Operating Instructions Tag** — Identifies hazards and proper procedure to start/stop pressure washer.

**R - Recoil Starter** — Used for starting the engine manually.

**S - Fuel Tank** — Fill tank with regular unleaded fuel. Always leave room for fuel expansion.

**T - High Pressure Hose** — Connect one end to water pump and the other end to spray gun.

**U - Nozzle Extension with Quick Connect** — Allows you to switch between four different spray tips.

### Items Not Shown:

**Oil Fill/Dipstick** — Check, add and drain engine oil here.

**Identification Label** — Provides model and serial number of pressure washer. Please have these readily available if calling for assistance.

# ASSEMBLY

Your pressure washer requires some assembly and is ready for use only after it has been properly serviced with the recommended oil and fuel.

**If you have any problems with the assembly of your pressure washer, please call the pressure washer helpline at 1-800-222-3136.**

## UNPACK THE PRESSURE WASHER

1. Remove everything from carton except pressure washer.
2. Open carton completely by cutting each corner from top to bottom.
3. Remove pressure washer from carton.

## CARTON CONTENTS

Check all contents. If any parts are missing or damaged, call the pressure washer helpline at **1-800-222-3136**.

- Main Unit
- Handle
- Accessory Tray with Hose Wrap
- High Pressure Hose
- Spray Gun
- Nozzle Extension with Quick Connect Fitting
- Oil Pouch
- Bottle Bracket Wireform
- Perfect Mix™ Siphoning Unit/Hose
- Parts Bag (which includes the following):
  - Operator's Manual
  - Owner's Registration Card
  - Bag containing 4 Multi-Colored Quick Connect Spray Tips
  - Rubber straps (2)
  - Handle Fastening Hardware Kit (which includes):
    - Handle Bolts (2)
    - Carriage Bolt (1)
    - Plastic Knobs for Handle (2)
    - Plastic Knob (1)
    - Tree Clips (4)

Become familiar with each piece before assembling the pressure washer. Identify all contents with the illustration on page 6. If any parts are missing or damaged, call the pressure washer helpline at **1-800-222-3136**.

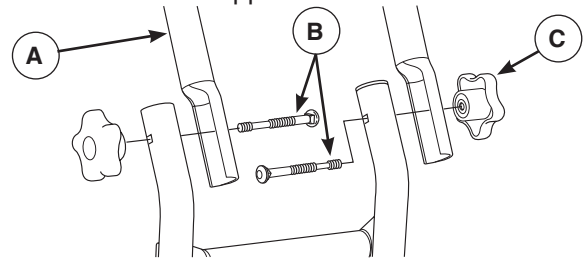
## ASSEMBLING PRESSURE WASHER

Your Craftsman pressure washer will need assembly before operation:

1. Fill out and send in registration card.
2. Attach handle and accessory tray.
3. Connect detergent siphon hose to pump.
4. Add oil to engine crankcase.
5. Add fuel to fuel tank.
6. Connect pressure hose to spray gun and pump.
7. Connect water supply to pump.
8. Attach nozzle extension to spray gun.
9. Select/attach quick connect spray tip to nozzle extension.

### Attach Handle and Accessory Tray

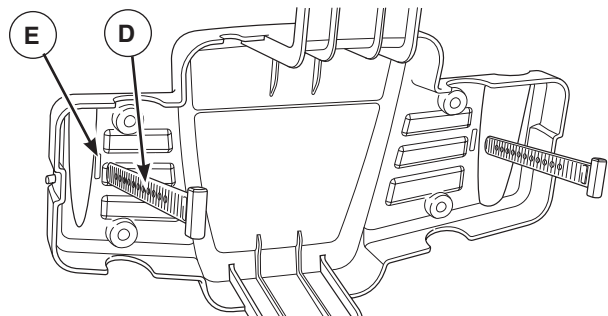
1. Place handle (A) onto handle supports connected to main unit. Make sure holes in handle align with holes on handle supports.



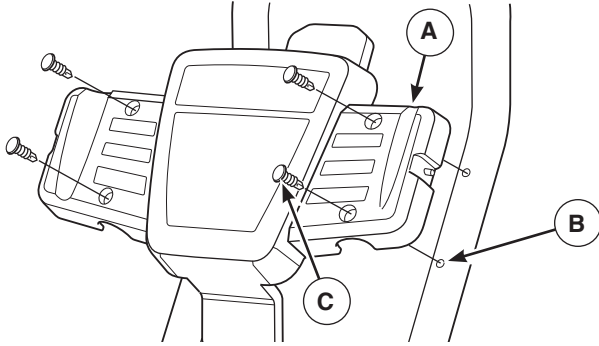
2. Insert handle carriage bolts (B) through holes from inside of unit and attach a plastic knob (C) from outside of unit. Tighten by hand.

**NOTICE** By loosening both knobs to the middle section of the attachment bolt, the upper handle can fold forward to store flat atop the cold engine. **DO NOT** fold the handle down while the engine is hot.

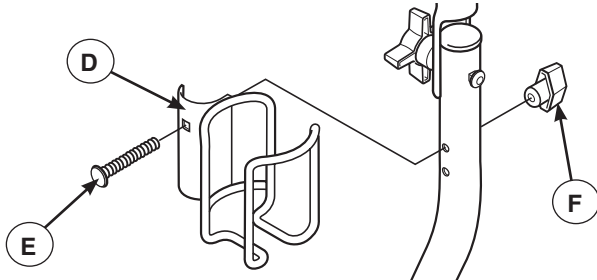
3. Insert rubber straps (D) through slots (E) in back of accessory tray and pull tight from front.



- Place accessory tray (A) over holes (B) on handle (viewing from front of unit). Push the tree clips (C) into the holes until they sit flat against the accessory tray.



- Insert multi-colored quick connect spray tips and other supplied accessories in spaces provided in accessory tray. See *How to Use Accessory Tray*.
- Attach bottle bracket (D) to handle with carriage bolt (E) and black plastic knob (F). Tighten by hand.

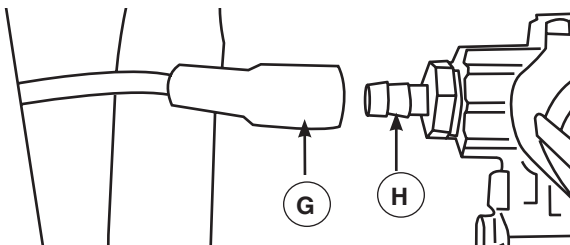


## Project Pro® Perfect Mix™ Soap System

The pressure washer is equipped with a detergent siphoning hose.

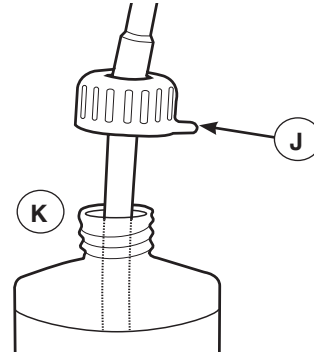
### Attach Project Pro® Perfect Mix™ Siphon to Pump

Attach the tube end of the blue Perfect Mix™ Siphon (G) to the barbed tube fitting (H) on the pump.



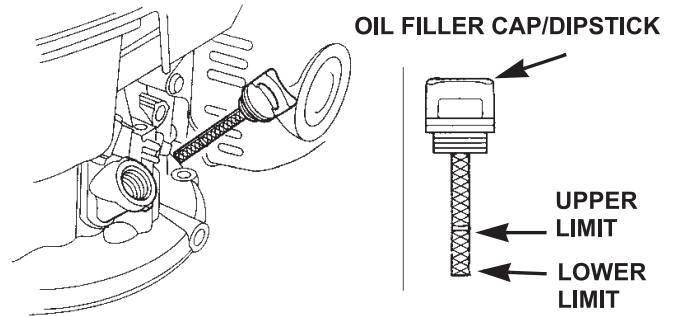
### Attach Perfect Mix™ Detergent Siphon to Concentrate Bottle

Place Perfect Mix™ bottle (not included) in the wire-form bracket on the handle. Remove cap from bottle and insert the Perfect Mix™ Siphon (J). Screw the siphon unit to the top of the bottle (K). Use the clip on the cap (J) to snap siphon to wire form bracket when siphon is not in a concentrate bottle.



### Add Engine Oil

- Place pressure washer on a flat, level surface.
- Clean area around oil fill and remove oil fill cap/dipstick.



- Using oil funnel (optional), slowly pour contents of supplied oil into oil fill opening, frequently checking oil level. **DO NOT OVERFILL.**

**NOTICE** Improper treatment of pressure washer could damage it and shorten its life.

- DO NOT attempt to crank or start the engine before it has been properly serviced with the recommended oil. This could result in an engine failure.
- Replace oil fill cap/dipstick and fully tighten.

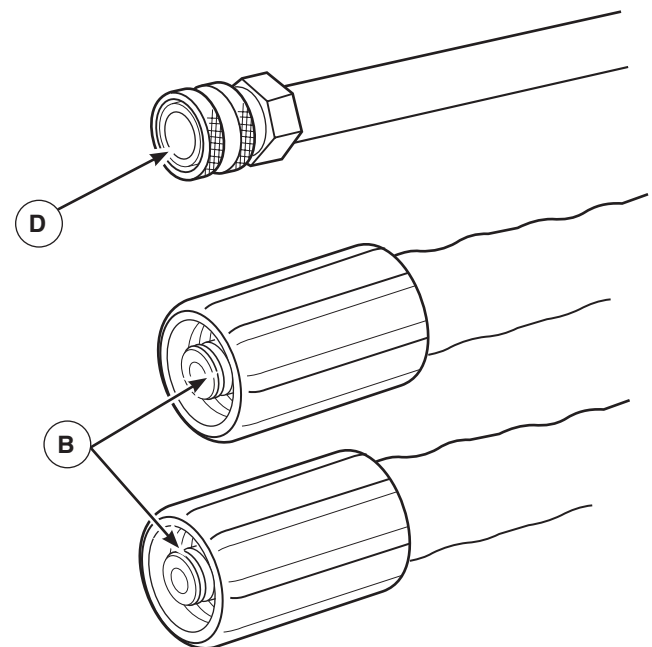
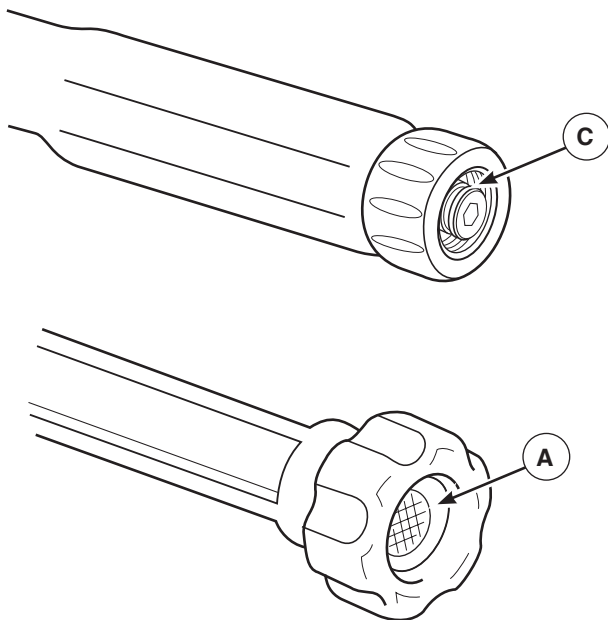
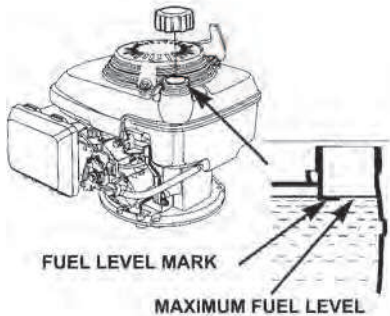
## Add Fuel

**WARNING** Fuel and its vapors are extremely flammable and explosive which could cause burns, fire or explosion resulting in death or serious injury.



### WHEN ADDING FUEL

- Turn pressure washer engine OFF and let it cool at least 2 minutes before removing fuel cap. Loosen cap slowly to relieve pressure in tank.
  - Fill fuel tank outdoors.
  - DO NOT overfill tank. Allow space for fuel expansion.
  - If fuel spills, wait until it evaporates before starting engine.
  - Keep fuel away from sparks, open flames, pilot lights, heat, and other ignition sources.
  - Check fuel lines, tank, cap and fittings frequently for cracks or leaks. Replace if necessary.
  - DO NOT light a cigarette or smoke.
1. Use clean, fresh, regular unleaded fuel with a minimum of 86 octane with equipment. DO NOT mix oil with fuel.
  2. Place pressure washer on a level surface. Clean area around fuel fill cap, remove cap.
  3. Slowly add regular unleaded fuel to bottom of fuel level limit in neck of fuel tank. Be careful not to overfill.



4. Install fuel cap and allow any spilled fuel to evaporate before starting engine.

**CAUTION!** Alcohol-blended fuels (called gasohol, ethanol or methanol) can attract moisture, which leads to separation and formation of acids during storage. Acidic gas can damage the fuel system of an engine while in storage.

To avoid engine problems, the fuel system should be emptied before storage of 30 days or longer. Drain the fuel tank, start the engine and let it run until the fuel lines and carburetor are empty. Use fresh fuel next season. See *Storage* for additional information.

NEVER use engine or carburetor cleaner products in the fuel tank as permanent damage may occur.

## Lubricate O-Rings

Lubrication of o-rings is extremely important for installation and operation. The use of a lubricant (petroleum or synthetic grease) during assembly helps seat o-rings properly and provides an improved seal. It also helps protect the o-ring from damage by abrasion, pinching or cutting and extends the life of the o-ring.

**NOTICE** ALWAYS apply a small amount of lubricant on o-rings prior to assembling the garden hose to the pump (A), high pressure hose (B), spray gun (C), and nozzle extension (D).

**Lubricate all connections shown below, following these instructions:**

1. Inspect and clean connecting surfaces prior to lubrication and assembly.
2. Use lubricants sparingly during assembly; a light film is all that is required.
3. Use a small brush or cotton swab to apply grease directly to o-rings where they are not accessible (QC fitting, M22 fitting).

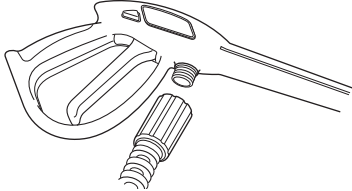
## Connect Hose and Water Supply to Pump

**NOTICE** DO NOT run the pump without the water supply connected and turned on.

- Damage to equipment resulting from failure to follow this instruction will void warranty.

**NOTICE** Remove and discard the shipping caps from the pump's high pressure outlet and water inlet before attaching hoses.

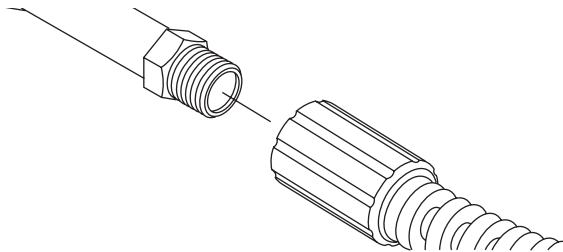
1. Uncoil high pressure hose and attach one end of hose to base of spray gun. Tighten by hand.



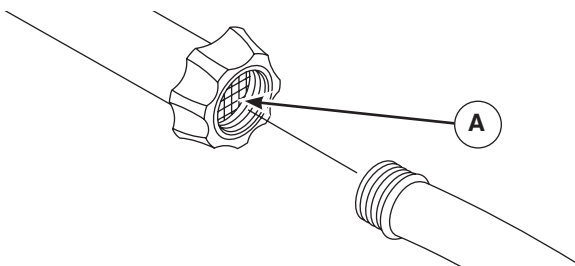
**WARNING** The high pressure stream of water that this equipment produces could cut through skin and its underlying tissues, resulting in serious injury and possible amputation.

- NEVER connect high pressure hose to nozzle extension.
- Keep high pressure hose connected to pump and spray gun while system is pressurized.
- Always be certain spray gun, nozzles and accessories are correctly attached.

2. Attach other end of high pressure hose to high pressure outlet on pump. Tighten by hand.



3. Before connecting garden hose to water inlet, inspect inlet screen (A). Clean screen if it contains debris or have it replaced if damaged. **DO NOT run pressure washer if inlet screen is damaged or missing.**



4. Run water through garden hose for 30 seconds to flush it of debris. Turn off water.

**NOTICE** DO NOT siphon standing water for the water supply. Use ONLY cold water (less than 100°F).

5. Connect garden hose (not to exceed 50 feet in length) to water inlet. Tighten by hand.

**NOTICE** Using a One Way Valve (vacuum breaker or check valve) at pump inlet could cause pump or inlet connector damage.

- There MUST be at least ten feet of unrestricted garden hose between the pressure washer inlet and any device, such as a vacuum breaker or check valve.
- Damage to equipment resulting from failure to follow this instruction will void warranty.

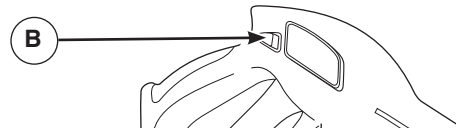
**WARNING** Risk of eye injury.



Spray could splash back or propel objects resulting in serious injury.

- Always wear indirect vented (chemical splash) safety goggles marked to comply with ANSI Z87.1 when using or in vicinity of this equipment.
- NEVER substitute safety glasses or dry-condition goggles for indirect vented safety goggles.

6. Turn ON the water, press red button (B) on the gun and squeeze the trigger to purge the pump system of air and impurities.



## Checklist Before Starting Engine

Review the unit to ensure you have performed all of the following:

1. Be sure to read *Safety Rules* and *Operation* sections before using the pressure washer.
2. Make sure handle is in place and secure.
3. Check that oil has been added to proper level in engine crankcase.
4. Add proper fuel to fuel tank.
5. Check for proper hose connections (high pressure and water supply) and that there are no kinks, cuts, or damage to the high pressure hose.
6. Provide proper water supply (not to exceed 100°F).

# OPERATION

## HOW TO USE YOUR PRESSURE WASHER

If you have any problems operating your pressure washer, please call the pressure washer helpline at 1-800-222-3136.

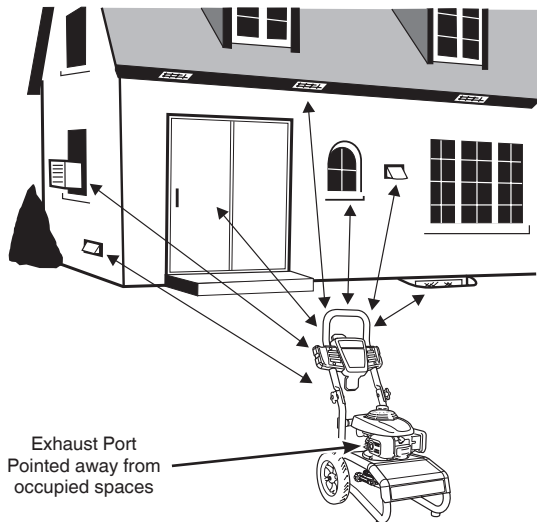
### Pressure Washer Location

#### Carbon Monoxide Poisoning

**⚠ WARNING POISONOUS GAS HAZARD.** Engine exhaust contains carbon monoxide, a poisonous gas that could kill you in minutes. You CANNOT smell it, see it, or taste it. Even if you do not smell exhaust fumes, you could still be exposed to carbon monoxide gas.

- Operate this product ONLY outside far away from windows, doors and vents to reduce the risk of carbon monoxide gas from accumulating and potentially being drawn towards occupied spaces.
- Install battery-operated carbon monoxide alarms or plug-in carbon monoxide alarms with battery back-up according to the manufacturer's instructions. Smoke alarms cannot detect carbon monoxide gas.
- DO NOT run this product inside homes, garages, basements, crawlspaces, sheds, or other partially-enclosed spaces even if using fans or opening doors and windows for ventilation. Carbon monoxide can quickly build up in these spaces and can linger for hours, even after this product has shut off.
- ALWAYS place this product downwind and point the engine exhaust away from occupied spaces.

If you start to feel sick, dizzy, or weak while using this product, get to fresh air RIGHT AWAY. See a doctor. You may have carbon monoxide poisoning.



#### Risk of Fire Clearances

**⚠ WARNING** Exhaust heat/gases could ignite combustibles, structures or damage fuel tank causing a fire, resulting in death or serious injury.

- Keep at least 5 ft. (1.5 m) clearance on all sides of pressure washer including overhead.

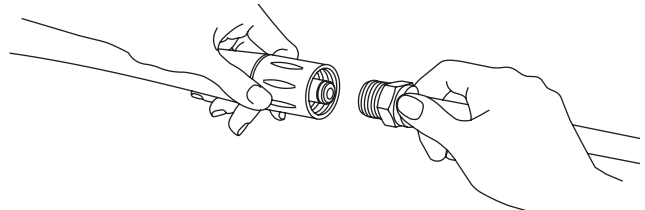
### To Start Your Pressure Washer

To start your engine-powered pressure washer for the first time, follow these instructions step-by-step. This information also applies whenever you start the engine after you have let the pressure washer sit idle for at least a day.

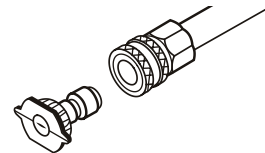
1. Place pressure washer outside near an water source capable of supplying water at a flow rate greater than 3.3 gallons per minute and no less than 20 PSI at pressure washer end of garden hose.
2. Check that high pressure hose is tightly connected to spray gun and pump. See *Assembly* for illustrations.
3. Make sure unit is in a level position.
4. Connect garden hose to water inlet on pressure washer pump.

**NOTICE** DO NOT run the pump without the water supply connected and turned on.

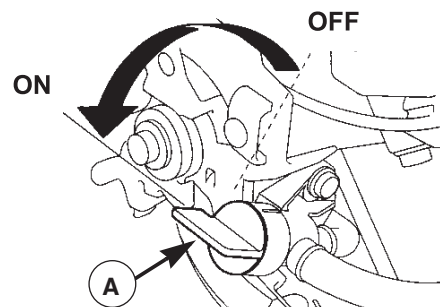
- Damage to equipment resulting from failure to follow this instruction will void warranty.
5. Turn ON the water, press red button on the gun and squeeze the trigger to purge the pump system of air and impurities.
  6. Attach nozzle extension to spray gun. Tighten by hand.



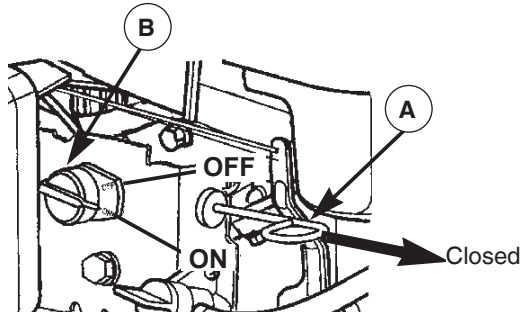
7. Choose spray tip you want to use, pull back on collar of nozzle extension, insert spray tip and release collar. Tug on spray tip to make sure it is securely in place. See *How to Use Spray Tips*.



8. Turn fuel valve (A) to "On" position.



9. Pull choke rod (A) to “Closed” position.



**NOTICE** For a warm engine, be sure the choke rod (A) is in the “Open” position.

10. Move engine stop switch (B) to “On” position.

**NOTICE** Before starting the pressure washer, be sure you are wearing safety goggles as described below.

**WARNING** Risk of eye injury.  
Spray could splash back or propel objects resulting in serious injury.

- Always wear indirect vented (chemical splash) safety goggles marked to comply with ANSI Z87.1 when using or in vicinity of this equipment.
- NEVER substitute safety glasses or dry-condition goggles for indirect vented safety goggles.

11. When starting engine, position yourself as recommended and grasp starter grip handle and pull slowly until you feel some resistance. Then pull rapidly to start engine.



**WARNING** Starter cord kickback (rapid retraction) will pull hand and arm toward engine faster than you can let go which could cause broken bones, fractures, bruises, or sprains resulting in serious injury.

- NEVER pull starter cord without first relieving spray gun pressure.
- When starting engine, pull cord slowly until resistance is felt and then pull rapidly to avoid kickback.
- After each starting attempt, where engine fails to run, always point spray gun in safe direction, press red button and squeeze spray gun trigger to release high pressure.
- Firmly grasp spray gun with both hands when using high pressure spray to avoid injury when spray gun kicks back.

12. Return recoil starter slowly. DO NOT let rope “snap back” against starter.

13. When engine starts, slowly move choke rod to “Open” position as engine warms. If engine falters, move choke rod to “Closed” position, then to “Open” position.

**WARNING** The high pressure stream of water that this equipment produces could cut through skin and its underlying tissues, resulting in serious injury and possible amputation. Spray gun traps high water pressure, even when engine is stopped and water is disconnected, which could result in serious injury.

- DO NOT allow CHILDREN to operate pressure washer.
- Keep high pressure hose connected to pump and spray gun while system is pressurized.
- NEVER aim spray gun at people, animals, or plants.
- DO NOT secure spray gun in open position.
- DO NOT leave spray gun unattended while machine is running.
- NEVER use a spray gun which does not have a trigger lock or trigger guard in place and in working order.
- Always be certain spray gun, nozzles and accessories are correctly attached.

**WARNING** Exhaust heat/gases could ignite combustibles, structures or damage fuel tank causing a fire, resulting in death or serious injury.

Contact with muffler area could cause burns resulting in serious injury.

- DO NOT touch hot parts and AVOID hot exhaust gases.
- Allow equipment to cool before touching.
- Keep at least 5 ft. (1.5 m) of clearance on all sides of pressure washer including overhead.
- It is a violation of California Public Resource Code, Section 4442, to use or operate the engine on any forest-covered, brush-covered, or grass-covered land unless the exhaust system is equipped with a spark arrester, as defined in Section 4442, maintained in effective working order. Other states or federal jurisdictions may have similar laws.

Contact the original equipment manufacturer, retailer, or dealer to obtain a spark arrester designed for the exhaust system installed on this engine.

- Replacement parts must be the same and installed in the same position as the original parts.

## How to Stop Your Pressure Washer

1. Release spray gun trigger and let engine idle for two minutes.
2. Move engine stop switch to “Off” position.
3. ALWAYS point spray gun in a safe direction, push red button and squeeze spray gun trigger to release retained high water pressure.

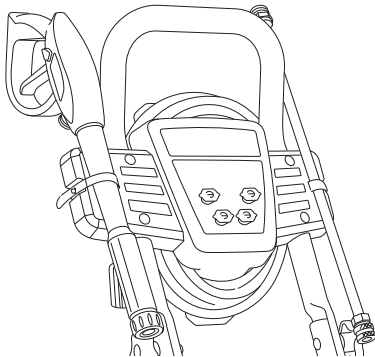
**⚠ WARNING** The high pressure stream of water that this equipment produces could cut through skin and its underlying tissues, resulting in serious injury and possible amputation. Spray gun traps high water pressure, even when engine is stopped and water is disconnected, which could result in serious injury.

- Keep high pressure hose connected to pump and spray gun while system is pressurized.
- ALWAYS point spray gun in safe direction, press red button and squeeze spray gun trigger to release high pressure, every time you stop engine.

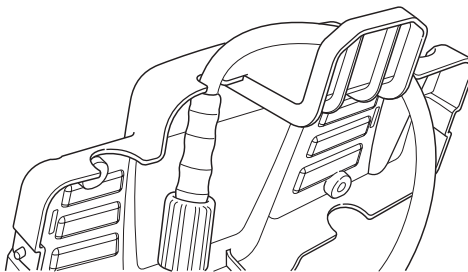
## How to Use Accessory Tray

The unit is equipped with an accessory tray with places to store your spray gun, nozzle extension, high pressure hose and quick connect spray tips.

1. Place spray gun in wide groove on accessory tray as shown. Pull rubber strap tight around spray gun and place hole in strap over tab on accessory tray.



2. Place nozzle extension in narrow groove on accessory tray. Pull rubber strap tight around nozzle extension and place hole in strap over tab on accessory tray.
3. Insert multi-colored spray tips in holes provided on front of accessory tray.
4. Place one end of high pressure hose in groove at top of accessory tray and wrap high pressure hose around hooks as shown.



## How to Use Spray Tips

The quick-connect on the nozzle extension allows you to switch between four different quick connect spray tips. Spray tips can be changed while pressure washer is running once spray gun trigger is locked. The spray tips vary the spray pattern as shown.

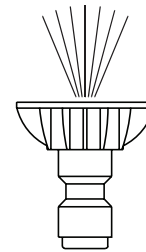
### Follow these instructions to change spray tips:

1. Pull back collar on quick-connect and pull current spray tip off. Store spray tips in holder provided on the accessory tray.

**⚠ WARNING** The high pressure stream of water that this equipment produces could cut through skin and its underlying tissues, resulting in serious injury and possible amputation.

- NEVER change spray tips without the trigger locked on the spray gun.
- DO NOT twist spray tips while spraying.

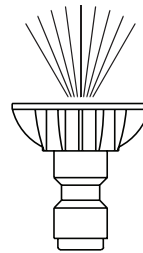
2. Select desired spray tip:



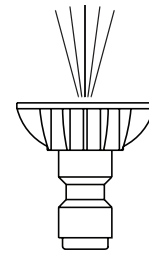
### Low Pressure

Black  
Use to apply detergent

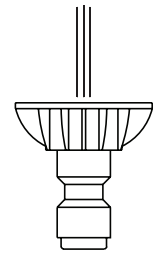
### High Pressure



40° White  
2400 PSI  
2.3 GPM



15° Yellow  
2600 PSI  
2.2 GPM



0° Red  
2800 PSI  
2.1 GPM

- For delicate rinse, for gentle cleaning of cars trucks, boats, RV's, patio furniture, lawn equipment, etc., select white 40° spray tip.
- For general rinsing, ideal for most all purpose cleaning such as home siding, brick patios, wood decks, driveways and sidewalks, garage floors, etc., select yellow 15° spray tip.

- For maximum rinsing, for stubborn or hard to reach surface such as second story surfaces, paint removal, oil stains, rust removal or other stubborn substances (tar, gum, grease, wax, etc.), select red 0° spray tip.
  - To apply detergent, applies project specific cleaners to help break down stubborn dirt and grime on a variety of surfaces, select black detergent spray tip.
3. Pull back on collar, insert new spray tip and release collar. Tug on spray tip to make sure it is securely in place.

### Usage Tips

- For most effective cleaning, keep spray tip from 8 to 24 inches (20 to 61 cm) away from cleaning surface.
- If you get spray tip too close, especially using a high pressure spray tip, you may damage surface being cleaned.
- Do Not get closer than 6 inches (15 cm) when cleaning tires.

## Cleaning and Applying Detergent



**WARNING** Chemical Burn Hazard.  
Chemicals could cause burns resulting in death or serious injury.

- DO NOT use caustic liquid with pressure washer.
- Use ONLY pressure washer safe detergents/soaps. Follow all manufacturers instructions.

### To apply detergent, follow these steps:

To apply undiluted detergent using the blue Perfect Mix™ siphon, follow these steps:

1. Review use of spray tips.
2. Attach Perfect Mix™ siphon hose to pump and Perfect Mix™ concentrate bottle.

**NOTICE** Use standard detergent siphon hose & filter kit, available at Sears retail item 75180, to apply standard detergents. Detergent siphon hose & filter kit is available as an optional accessory. It is not included with the pressure washer.

**NOTICE** Contact with the hot muffler could damage detergent siphoning tube.

- When inserting the siphon into a detergent solution bottle, route the tube so as to keep it from inadvertently contacting the hot muffler.

3. Make sure black detergent spray tip is installed.

**NOTICE** Detergent cannot be applied with the high pressure spray tips (White, Yellow or Red).

4. Make sure garden hose is connected to water inlet. Check that high pressure hose is connected to spray gun and pump. Turn on water.

**NOTICE** You must attach all hoses before you start the engine.

- Starting the engine without all the hoses connected and without the water turned ON could damage the pump.
- Damage to equipment resulting from failure to follow this instruction will void warranty.

5. Start engine following instructions *How to Start Your Pressure Washer*.
6. Apply detergent to a dry surface, starting at lower portion of area to be washed and work upward, using long, even, overlapping strokes.
7. Allow detergent to “soak in” for 3-5 minutes before washing and rinsing. Reapply as needed to prevent surface from drying. DO NOT allow detergent to dry on (prevents streaking).

## Pressure Washer Rinsing

### For Rinsing:

1. Remove black detergent spray tip from nozzle extension.
2. Select and install desired high pressure spray tip following instructions *How to Use Spray Tips*.
3. Keep the spray gun a safe distance from the area you plan to spray.



**WARNING** Kickback from spray gun could cause you to fall resulting in death or serious injury.



- Operate pressure washer from a stable surface.
  - Be extremely careful if you must use the pressure washer from a ladder, scaffolding, or any other similar location.
  - Firmly grasp spray gun with both hands when using high pressure spray to avoid injury when spray gun kicks back.
4. Apply a high pressure spray to a small area, then check the surface for damage. If no damage is found, it is okay to continue cleaning.
  5. Start at the top of the area to be rinsed, working down with same overlapping strokes as you used for washing and applying detergent.

## Automatic Cool Down System (Thermal Relief)

If you run the engine on your pressure washer for 3-5 minutes without pressing the trigger on the spray gun, circulating water in the pump can reach temperatures above 125°F. The system engages to cool the pump by **discharging the warm water onto the ground**.

# SPECIFICATIONS

## Pressure Washer Specifications

Max Outlet Pressure . . . . . 2,800 PSI\*@2.1 GPM  
Max Flow Rate . . . . . 2,400 PSI@2.3 GPM\*  
Detergent Mix . . . . . Use as directed  
Water Supply Temperature . . . . . Not to exceed 100°F

## Engine Specifications

Bore . . . . . 2.5 in. (64 mm)  
Stroke . . . . . 2.0 in. (50 mm)  
Displacement . . . . . 9.8 cu. in. (161 cc)  
Spark Plug  
Resistor . . . . . NGK BPR6ES  
Set Gap To: . . . . . 0.028-0.031 in (0.70-0.80 mm)  
Intake Valve Clearance . . . . . 0.15 ± 0.04 mm (cold)  
Exhaust Valve Clearance . . . . . 0.20 ± 0.04 mm (cold)  
Fuel Capacity . . . . . 0.29 Gallons (1.1 l)

\* This pressure washer is rated in accordance to the Pressure Washer Manufacturers Association (PWMA) standard PW101-2010 (Testing and Rating Performance of Pressure Washers).



# MAINTENANCE

## OWNER'S RESPONSIBILITIES

Follow the hourly or calendar intervals, whichever occurs first. More frequent service is required when operating in adverse conditions noted below.

<b>First 5 Hours</b>
<ul style="list-style-type: none"><li>• Change engine oil</li></ul>
<b>Every 8 Hours or Daily</b>
<ul style="list-style-type: none"><li>• Check/clean water inlet screen<sup>1</sup></li><li>• Check high pressure hose</li><li>• Check detergent siphoning hose</li><li>• Check spray gun and assembly for leaks</li><li>• Clean debris</li><li>• Check engine oil level</li></ul>
<b>Every 25 Hours</b>
<ul style="list-style-type: none"><li>• Clean engine air cleaner<sup>2</sup></li></ul>
<b>Every 50 Hours</b>
<ul style="list-style-type: none"><li>• Change engine oil<sup>2</sup></li></ul>
<b>Every 100 Hours</b>
<ul style="list-style-type: none"><li>• Check/adjust spark plug</li><li>• Inspect muffler and spark arrester</li><li>• Check/adjust idle speed<sup>3</sup></li><li>• Check/adjust valve clearance<sup>3</sup></li><li>• Clean fuel tank &amp; filter<sup>3</sup></li></ul>
<b>Every 250 Hours</b>
<ul style="list-style-type: none"><li>• Clean combustion chamber<sup>3</sup></li></ul>
<b>Every 150 Hours</b>
<ul style="list-style-type: none"><li>• Replace engine air cleaner</li><li>• Replace spark plug</li></ul>
<b>Every 2 Years</b>
<ul style="list-style-type: none"><li>• Check fuel tube<sup>3</sup> (Replace if necessary)</li></ul>

<sup>1</sup> Clean if clogged. Replace if perforated or torn.

<sup>2</sup> Service more often under dirty or dusty conditions.

<sup>3</sup> These items should be serviced by your servicing dealer.

## General Recommendations

Regular maintenance will improve the performance and extend the life of the pressure washer. See any Sears or other qualified service dealer for service.

The pressure washer warranty does not cover items that have been subjected to operator abuse or negligence. To receive full value from the warranty, the operator must maintain pressure washer as instructed in this manual including proper storage as detailed in *Storage*.

Some adjustments will need to be made periodically to properly maintain your pressure washer.

All service and adjustments should be made at least once each season. Follow the requirements in the *Maintenance Schedule* chart above.

**NOTICE** Once a year you should clean or replace the spark plug and replace the air filter. A new spark plug and clean air filter assure proper fuel-air mixture and help your engine run better and last longer.

## Pump Oil

DO NOT attempt any oil maintenance on this pump. The pump is pre-lubricated and sealed from the factory, requiring no additional maintenance for the life of the pump.

## Emissions Control

**Maintenance, replacement, or repair of the emissions control devices and systems may be performed by any non-road engine repair establishment or individual.** However, to obtain "no charge" emissions control service, the work must be performed by a factory authorized dealer. See the *Emissions Warranty*.

## Before Each Use

1. Check engine oil level.
2. Clean debris.
3. Check water inlet screen for damage.
4. Check high pressure hose for leaks.
5. Check gun and nozzle extension for leaks.
6. Purge pump of air and contaminants.

## PRESSURE WASHER MAINTENANCE

### Clean Debris

Daily or before use, clean accumulated debris from pressure washer. Keep linkage, spring and controls clean. Keep area around and behind muffler free from any combustible debris. Inspect cooling air slots and openings on the pressure washer. These openings must be kept clean and unobstructed.

Pressure washer parts should be kept clean to reduce the risk of overheating and ignition of accumulated debris.

- Use a damp cloth to wipe exterior surfaces clean.

**NOTICE** Improper treatment of pressure washer could damage it and shorten its life.

- DO NOT insert any objects through cooling slots.


- Use a soft bristle brush to loosen caked on dirt, oil, etc.
- Use a vacuum cleaner to pick up loose dirt and debris.

### Check and Clean Inlet Screen

Examine garden hose inlet screen. Clean if it is clogged or replace if it is torn.

## Check High Pressure Hose

High pressure hoses can develop leaks from wear, kinking, or abuse. Inspect hose before each use. Check for cuts, leaks, abrasions, bulging of cover, or damage or movement of couplings. If any of these conditions exist, replace hose immediately.

-  **WARNING** The high pressure stream of water that this equipment produces could cut through skin and its underlying tissues, resulting in serious injury and possible amputation.
- NEVER repair high pressure hose. Replace it.
  - Replacement hose rating MUST equal or exceed maximum pressure rating of unit.


## Check Detergent Siphoning Tube

Examine the filter on detergent tube (if equipped) and clean if clogged. The tube should fit tightly on the barbed fitting. Examine the tube for leaks or tears. Replace the filter or tube if either is damaged.


## Detergent Siphoning Check Ball

Occasionally check ball in detergent siphoning system may become stuck from storage, dried soap, or minerals in water. The check ball can be freed by performing the following:

**NOTICE** Before performing this procedure, be sure you are wearing safety goggles as described below.

-  **WARNING** Risk of eye injury. Spray could splash back or propel objects resulting in serious injury.
- Always wear indirect vented (chemical splash) safety goggles marked to comply with ANSI Z87.1 when using or in vicinity of this equipment.
  - NEVER substitute safety glasses or dry-condition goggles for indirect vented safety goggles.

1. Shut off engine and turn off water supply.
2. ALWAYS point spray gun in a safe direction, press red button and squeeze spray gun trigger to release retained high water pressure.

-  **WARNING** The high pressure stream of water that this equipment produces could cut through skin and its underlying tissues, resulting in serious injury and possible amputation. Spray gun traps high water pressure, even when engine is stopped and water is disconnected, which could result in serious injury.
- Keep high pressure hose connected to pump and spray gun while system is pressurized.
  - ALWAYS point spray gun in safe direction, press red button and squeeze spray gun trigger to release high pressure, every time you stop engine.

3. Remove detergent siphoning hose from barbed fitting on pump.
4. Using a firm, blunt object 7/64" in diameter or smaller, by at least 1" long, such as an Allen wrench, slowly insert the object into the barbed fitting until you meet resistance. This resistance is the check ball.

5. Slowly push down until you feel the ball move slightly, push no more than 1/8". Slight pressure may be required to free the ball.
6. Repeat steps 4 and 5 if necessary.
7. Reinstall detergent siphoning hose onto barb fitting.
8. Treat with PumpSaver as described in *Protecting the Pump* during storage to prevent reoccurrence.


## Check Spray Gun

Examine hose connection to spray gun and make sure it is secure. Test trigger by pressing it and making sure it springs back into place when you release it. Do not depress red button and test trigger. You should not be able to press trigger. Replace spray gun immediately if it fails any of these tests.

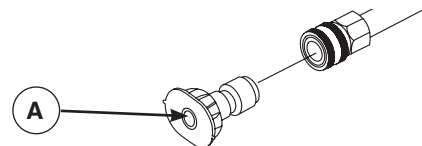
## Spray Tip Maintenance

A pulsing sensation felt while squeezing the spray gun trigger may be caused by excessive pump pressure. The principal cause of excessive pump pressure is a spray tip clogged or restricted with foreign materials, such as dirt, etc. To correct the problem, immediately clean the spray tip following these instructions:

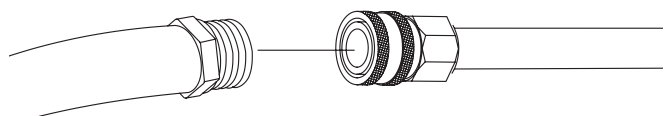
1. Shut off engine and turn off water supply.
2. ALWAYS point spray gun in a safe direction, press red button and squeeze spray gun trigger to release retained high water pressure.

-  **WARNING** The high pressure stream of water that this equipment produces could cut through skin and its underlying tissues, resulting in serious injury and possible amputation. Spray gun traps high water pressure, even when engine is stopped and water is disconnected, which could result in serious injury.
- Keep high pressure hose connected to pump and spray gun while system is pressurized.
  - ALWAYS point spray gun in safe direction, press red button and squeeze spray gun trigger to release high pressure, every time you stop engine.

3. Remove spray tip from end of nozzle extension.
4. Use a small paper clip to free any foreign material clogging or restricting spray tip (A).



5. Remove nozzle extension from spray gun.
6. Using a garden hose, remove additional debris by back flushing water through nozzle extension. Back flush between 30 to 60 seconds.




7. Reinstall spray tip into nozzle extension.
8. Reconnect nozzle extension to spray gun.
9. Make sure garden hose is connected to water inlet. Check that high pressure hose is connected to spray gun and pump. Turn on water.
10. Start engine following instructions *How to Start Your Pressure Washer*.
11. Test pressure washer by operating with each quick connect spray tip.

### O-Ring Maintenance

Purchase an O-Ring Repair Kit, Sears item 75116, at your local Sears or by calling **1-888-331-4569** or online at [www.sears.com](http://www.sears.com). It is not included with the pressure washer. This kit includes replacement o-rings and a water inlet filter. Refer to the instruction sheet provided in the kit to service your unit's o-rings.



**⚠ WARNING** The high pressure stream of water that this equipment produces could cut through skin and its underlying tissues, resulting in serious injury and possible amputation.



- NEVER repair leaking connections with sealant of any kind. Replace o-ring or seal.

### ENGINE MAINTENANCE

**⚠ WARNING** Unintentional sparking could cause fire or electric shock resulting in death or serious injury.

**WHEN ADJUSTING OR MAKING REPAIRS TO YOUR PRESSURE WASHER**

- Disconnect the spark plug wire from the spark plug and place the wire where it cannot contact spark plug.

**WHEN TESTING FOR ENGINE SPARK**

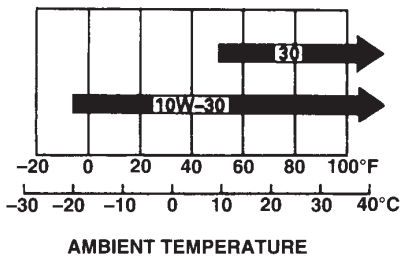
- Use approved spark plug tester.
- DO NOT check for spark with spark plug removed.

### Oil

#### Oil Recommendations

**NOTICE** When adding oil to the engine crankcase, use only high quality 4-stroke automotive detergent oil rated with API service classification SJ or SL rated SAE 10W-30 weight. DO NOT use special additives.

1. Choose a viscosity according to table below.

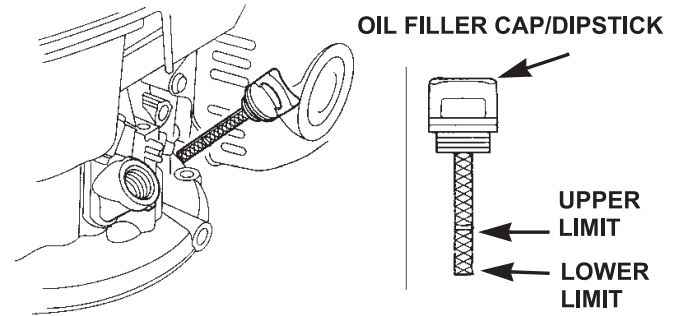


**NOTICE** Other viscosities shown in the chart may be used when the average temperature in your area is within the recommended range.

### Checking Oil Level

Oil level should be checked prior to each use or at least every 8 hours of operation. Keep oil level maintained.

1. Place pressure washer on a level surface and clean area around oil dipstick.
2. Remove oil dipstick and wipe dipstick with clean cloth. Insert and remove dipstick without screwing it into the filler neck.
3. Verify oil is at upper limit mark on dipstick. Replace and tighten dipstick.



### Add Engine Oil

1. Place pressure washer on a flat, level surface.
2. Clean area around oil fill and remove oil fill cap/dipstick.
3. Check oil level as described in *Checking Oil Level*.
4. If needed, slowly pour oil into oil fill opening. Pause to permit oil to settle. Fill to upper limit mark on dipstick. DO NOT overfill.

**NOTICE** Overfilling with oil could cause the engine to not start, or hard starting.

- DO NOT overfill.
- If over the FULL mark on dipstick, drain oil to reduce oil level to FULL mark on dipstick.

5. Replace oil fill cap/dipstick and fully tighten.

### Changing Engine Oil

If you are using your pressure washer under extremely dirty or dusty conditions, or in extremely hot weather, change oil more often.

**⚠ CAUTION** Avoid prolonged or repeated skin contact with used motor oil.

- Used motor oil has been shown to cause skin cancer in certain laboratory animals.
- Thoroughly wash exposed areas with soap and water.



KEEP OUT OF REACH OF CHILDREN.  
DON'T POLLUTE. CONSERVE  
RESOURCES. RETURN USED OIL TO  
COLLECTION CENTERS.



**Change oil while engine is still warm from running, as follows:**

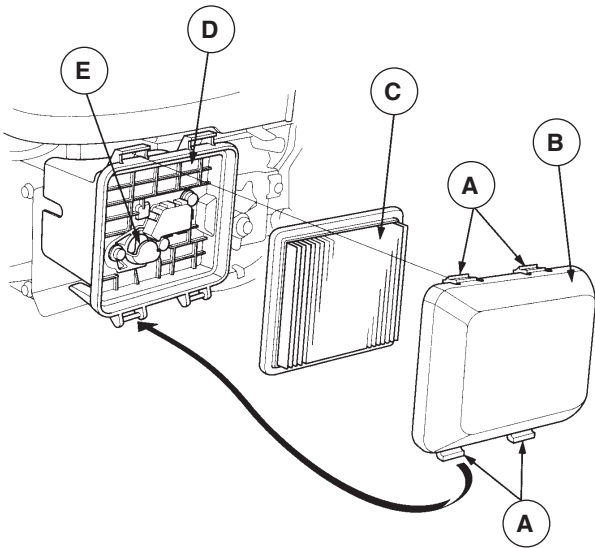
1. Drain fuel tank by running pressure washer until fuel tank is empty.
2. Disconnect spark plug wire and keep it away from spark plug.
3. Clean area around oil fill, remove oil fill cap/ dipstick. Wipe dipstick clean.
4. Tip your pressure washer toward the oil fill neck to drain oil into a suitable container. When crankcase is empty, return pressure washer to upright position.
5. Slowly pour recommended oil (approximately 18 oz.) into oil fill opening. Pause to permit oil to settle. Fill to upper limit mark on dipstick.
6. Replace and tighten dipstick.
7. Wipe up any remaining oil.
8. Reconnect spark plug wire to spark plug.

**Service Air Cleaner**

Your engine will not run properly and may be damaged if you run it with a dirty air cleaner. Service more often if operating under dirty or dusty conditions. Replacements are available at your local Sears service center.

**To service the air cleaner, follow these steps:**

1. Press latch tabs (A) on top of air cleaner cover (B), and remove cover.



2. Carefully remove air cleaner (C) from base (D).
3. Clean air cleaner by tapping it several times on a hard surface to remove dirt, or blow compressed air (not to exceed 30 psi) through air cleaner from clean side that faces engine.

**NOTICE** NEVER try to brush off dirt. Brushing will force dirt into the fibers.

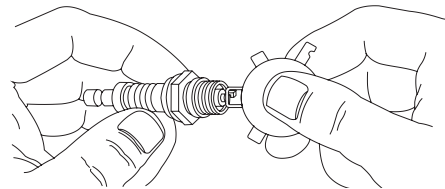
4. Wipe dirt from air cleaner body and cover using a moist rag. Be careful to prevent dirt from entering air duct (E) that leads to the carburetor.
5. Install clean (or new) air cleaner in base. Air cleaner must fit securely in base.
6. Reinstall air cleaner cover.

**NOTICE** You can purchase new air filter elements by calling 1-888-331-4569.

**Service Spark Plug**

Changing the spark plug will help your engine to start easier and run better.

1. Disconnect the cap from the spark plug and clean area around spark plug.
2. Remove and inspect spark plug.
3. Replace spark plug if electrodes are worn, or if insulator is cracked or chipped.
4. For replacement, use recommended spark plug, NGK BPR6ES.
5. Check electrode gap with wire feeler gauge and set gap at 0.028-0.031 inches (0.70-0.80 mm), if necessary.



- 6A. When reinstalling original spark plug, tighten 1/8-1/4 turn after the spark plug seats to compress the washer.
- 6B. When installing new spark plug, tighten 1/2 turn after the spark plug seats to compress the washer.
7. Attach the spark plug cap to the spark plug.

**NOTICE** You can purchase a new spark plug by calling 1-888-331-4569.

**Carburetor**

If you think your carburetor needs adjusting, see your nearest Sears service center. Engine performance may be affected at altitudes above 5000 feet. For operation at higher elevations, contact your nearest Sears service center.



## Inspect Muffler and Spark Arrester

Inspect the muffler for cracks, corrosion, or other damage. Remove the spark arrester, if equipped, and inspect for damage or carbon blockage. If replacement parts are required, make sure to use only original equipment replacement parts.

**⚠ WARNING** Exhaust heat/gases could ignite combustibles, structures or damage fuel tank causing a fire, resulting in death or serious injury.

Contact with muffler area could cause burns resulting in serious injury.

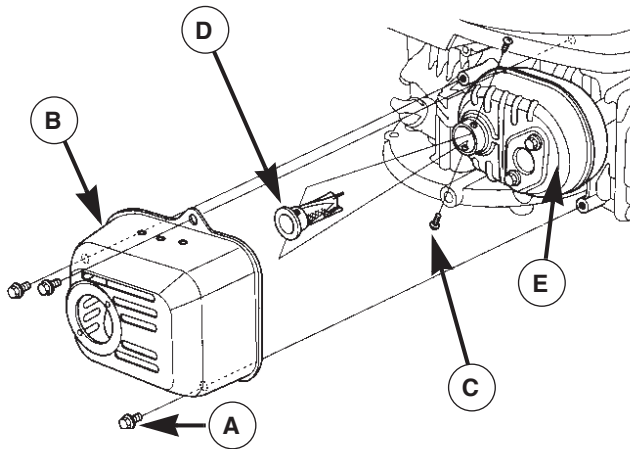
- DO NOT touch hot parts and AVOID hot exhaust gases.
- Allow equipment to cool before touching.
- Keep at least 5 ft. (1.5 m) of clearance on all sides of pressure washer including overhead.
- It is a violation of California Public Resource Code, Section 4442, to use or operate the engine on any forest-covered, brush-covered, or grass-covered land unless the exhaust system is equipped with a spark arrester, as defined in Section 4442, maintained in effective working order. Other states or federal jurisdictions may have similar laws.

Contact the original equipment manufacturer, retailer, or dealer to obtain a spark arrester designed for the exhaust system installed on this engine.

- Replacement parts must be the same and installed in the same position as the original parts.

### Clean and inspect the spark arrester as follows:

1. Remove the three 6 mm bolts (A) from the muffler protector (B), and remove the muffler protector.



2. Remove the two special screws (C) from the spark arrester, and remove the spark arrester (D) from muffler (E).
3. Use a brush to remove carbon deposits from the spark arrester screen. Be careful not to damage the screen.

**NOTICE** Replace spark arrester if it has breaks or holes.

4. Install clean (or new) spark arrester in reverse order of removal.

## AFTER EACH USE

Water should not remain in the unit for long periods of time. Sediments or minerals can deposit on pump parts and “freeze” pump action. Follow these procedures after every use:

1. Shut off engine, turn off water supply, point gun in a safe direction, press red button and squeeze trigger to relieve trapped pressure and let engine cool.

**⚠ WARNING** The high pressure stream of water that this equipment produces could cut through skin and its underlying tissues, resulting in serious injury and possible amputation.

Spray gun traps high water pressure, even when engine is stopped and water is disconnected, which could result in serious injury.

- Keep high pressure hose connected to pump and spray gun while system is pressurized.
- ALWAYS point spray gun in safe direction, press red button and squeeze spray gun trigger to release high pressure, every time you stop engine.

2. Disconnect hose from spray gun and high pressure outlet on pump. Drain water from hose, gun, and nozzle extension. Use a rag to wipe off the hose.
3. Empty pump of all pumped liquids by pulling recoil handle about 6 times. This should remove most liquid in pump.
4. Coil high pressure hose on hose wrap provided on accessory tray.
5. Store unit in a clean, dry area.
6. If storing for more than 30 days see *Long Term Storage* on next page.

**⚠ WARNING** Fuel and its vapors are extremely flammable and explosive which could cause burns, fire or explosion resulting in death or serious injury.

### WHEN STORING FUEL OR EQUIPMENT WITH FUEL IN TANK

- Store away from furnaces, stoves, water heaters, clothes dryers, or other appliances that have pilot light or other ignition source because they could ignite fuel vapors.

# STORAGE

## WINTER STORAGE

**NOTICE** You must protect your unit from freezing temperatures.

- Failure to do so will permanently damage your pump and render your unit inoperable.
- Freeze damage is not covered under warranty.

### To protect the unit from freezing temperatures:

1. Follow steps 1-4 in the previous section *After Each Use*.
2. Use pump saver, available at Sears, item 74403, to treat pump. This minimizes freeze damage and lubricates pistons and seals.
3. If pump saver is not available, connect a 3-foot section of garden hose to water inlet adapter. Pour RV-antifreeze (antifreeze without alcohol) into hose. Pull recoil handle twice. Disconnect 3-foot hose.
4. Store unit in a clean, dry area.

## LONG TERM STORAGE

If you do not plan to use the pressure washer for more than 30 days, you must prepare the engine and pump for long term storage.

It is important to prevent gum deposits from forming in essential fuel system parts such as the carburetor, fuel filter, fuel hose or tank during storage. Also, experience indicates that alcohol-blended fuels (called gasohol, ethanol or methanol) can attract moisture, which leads to separation and formation of acids during storage. Acidic gas can damage the fuel system of an engine while in storage.

### Protect Fuel System

#### Fuel Additive:

If adding a fuel additive, fill the fuel tank with fresh fuel. If only partially filled, air in the tank will promote fuel deterioration during storage.

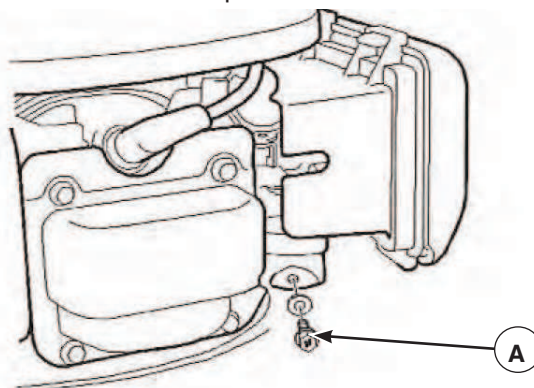
- Add fuel additive following manufacturer's instructions.
- Make sure you have water supply to pump inlet connected and turned ON.
- Run the engine outdoors for several minutes to be sure that treated fuel has replaced the untreated fuel in the carburetor.

If fuel additive is not used, remove all fuel from tank and run engine until it stops from lack of fuel.

### Draining Fuel Tank and Carburetor:

If fuel additive is not used, remove all fuel from tank and carburetor.

- Place an approved fuel container below carburetor and use a funnel to avoid spilling fuel.
- Remove carburetor drain bolt (A), then move fuel valve lever to "On" position.



- After all fuel has drained into container, reinstall drain bolt. Tighten both securely.

### Change Engine Oil

While engine is still warm, drain oil from crankcase. Refill with recommended grade. See *Changing Engine Oil*.

### Oil Cylinder Bore

- Remove spark plug. Squirt about a tablespoon of clean engine oil into the cylinder. Cover spark plug hole with rag. Pull recoil handle slowly to distribute oil. Avoid spray from spark plug hole.
- Install spark plug. DO NOT connect spark plug wire.

## Protect Pump

To protect the pump from damage caused by mineral deposits or freezing, use PumpSaver, Sears item 74403, to treat pump. This prevents freeze damage and lubricates pistons and seals.

**NOTICE** PumpSaver is available as an optional accessory. It is not included with the pressure washer. Contact your local Sears service center to purchase PumpSaver.

**NOTICE** You must protect your unit from freezing temperatures.

- Failure to do so will permanently damage your pump and render your unit inoperable.
- Freeze damage is not covered under warranty.

To use PumpSaver, make sure the pressure washer is turned off and disconnected from supply water. Read and follow all instructions and warnings given on the PumpSaver container.

## Other Storage Tips

1. DO NOT store fuel from one season to another unless it has been treated as described in *Protect Fuel System*.
2. Replace fuel container if it starts to rust. Rust and/or dirt in fuel can cause problems if it's used with this unit.
3. Cover unit with a suitable protective cover that does not retain moisture.



**WARNING** Storage covers could cause a fire resulting in death or serious injury.



- DO NOT place a storage cover over a hot pressure washer.
- Let equipment cool for a sufficient time before placing the cover on the equipment.

4. Store unit in a clean and dry area.

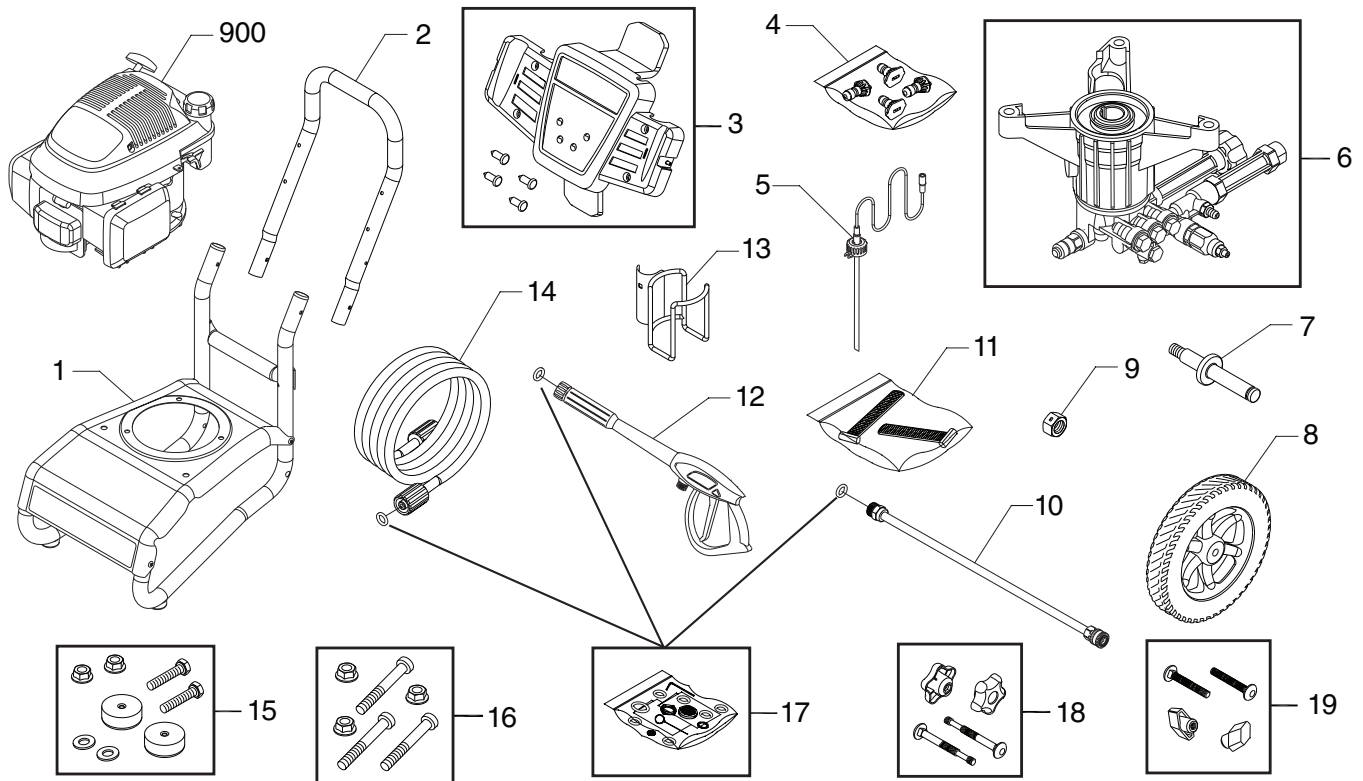
# TROUBLESHOOTING

Problem	Cause	Correction
<p><b>Pump has following problems: failure to produce pressure, erratic pressure, chattering, loss of pressure, low water volume.</b></p>	<ol style="list-style-type: none"> <li>1. Low pressure spray tip installed.</li> <li>2. Water inlet is blocked.</li> <li>3. Inadequate water supply.</li> <li>4. Inlet hose is kinked or leaking.</li> <li>5. Clogged inlet hose strainer.</li> <li>6. Water supply is over 100°F.</li> <li>7. High pressure hose is blocked or leaks.</li> <li>8. Spray gun leaks.</li> <li>9. Spray tip is obstructed.</li> <li>10. Pump is faulty.</li> </ol>	<ol style="list-style-type: none"> <li>1. Replace with high pressure spray tip.</li> <li>2. Clear inlet.</li> <li>3. Provide adequate water flow.</li> <li>4. Straighten inlet hose, patch leak.</li> <li>5. Check and clean inlet hose strainer.</li> <li>6. Provide cooler water supply.</li> <li>7. Clear blocks in outlet hose.</li> <li>8. Replace spray gun.</li> <li>9. Clean spray tip.</li> <li>10. Contact Sears service facility.</li> </ol>
<p><b>Detergent fails to mix with spray.</b></p>	<ol style="list-style-type: none"> <li>1. Detergent siphoning tube is not submerged.</li> <li>2. Detergent siphoning tube is clogged or cracked.</li> <li>3. High pressure spray tip installed.</li> <li>4. Detergent siphoning check ball stuck.</li> </ol>	<ol style="list-style-type: none"> <li>1. Insert detergent siphoning tube into detergent.</li> <li>2. Clean or replace detergent siphoning tube.</li> <li>3. Replace with low pressure spray tip.</li> <li>4. Free detergent siphoning check ball.</li> </ol>
<p><b>Engine will not start; starts and runs rough or shuts down during operation.</b></p>	<ol style="list-style-type: none"> <li>1. Fuel valve is in “<b>Off</b>” position.</li> <li>2. Engine stop switch in “<b>Off</b>” position.</li> <li>3. Low oil level.</li> <li>4. Dirty air cleaner.</li> <li>5. Out of fuel.</li> <li>6. Stale fuel.</li> <li>7. Spark plug wire not connected to spark plug.</li> <li>8. Bad spark plug.</li> <li>9. Water in fuel.</li> <li>10. Overchoking.</li> <li>11. Excessively rich fuel mixture.</li> <li>12. Intake valve stuck open or closed.</li> <li>13. Engine has lost compression.</li> </ol>	<ol style="list-style-type: none"> <li>1. Turn fuel valve to “<b>On</b>” position.</li> <li>2. Place engine stop switch in “<b>On</b>” position.</li> <li>3. Fill crankcase to proper level.</li> <li>4. Clean or replace air cleaner.</li> <li>5. Fill fuel tank.</li> <li>6. Drain fuel tank; fill with fresh fuel.</li> <li>7. Connect wire to spark plug.</li> <li>8. Replace spark plug.</li> <li>9. Drain fuel tank; fill with fresh fuel.</li> <li>10. Open choke fully and crank engine.</li> <li>11. Contact Sears service facility.</li> <li>12. Contact Sears service facility.</li> <li>13. Contact Sears service facility.</li> </ol>
<p><b>Engine lacks power.</b></p>	<p>Dirty air filter.</p>	<p>Replace air filter.</p>
<p><b>Engine “hunts” or falters.</b></p>	<p>Choke is opened too soon.</p>	<p>Move choke to halfway position until engine runs smoothly.</p>



# PARTS

## CRAFTSMAN 2800 PSI Pressure Washer 580.754911 Main Unit — Exploded View and Parts List



Item	Part #	Description
1	704064	BASE
2	314787BNGS	HANDLE
3	319236GS	BILLBOARD
	B1797GS	CLIP
4	704973	KIT-QC NOZZLE
	195983AKGS	NOZZLE-QC YELLOW
	195983AAGS	NOZZLE-QC RED
	195983ZGS	NOZZLE-QC WHITE
	198841GS	NOZZLE-QC BLACK
5	204658GS	HOSE-CHEMICAL
6	704667	PUMP
7	315134GS	AXLE
8	314165GS	WHEEL
9	703347	NUT
10	706595	EXTENSION-QC
11	317099GS	KIT-STRAP
12	319853GS	GUN
13	206566GS	WIREFORM
14	196006GS	HOSE
15	192310GS	MOUNT-VIBRATION
16	315033GS	KIT-HARDWARE PUMP MOUNTING
17	705001	KIT-O-RING
18	205910GS	KIT-HANDLE
19	B2203GS	KIT-HANDLE
900	NSP	ENGINE (GCV160LAON5RB+) (see pages 27-31)

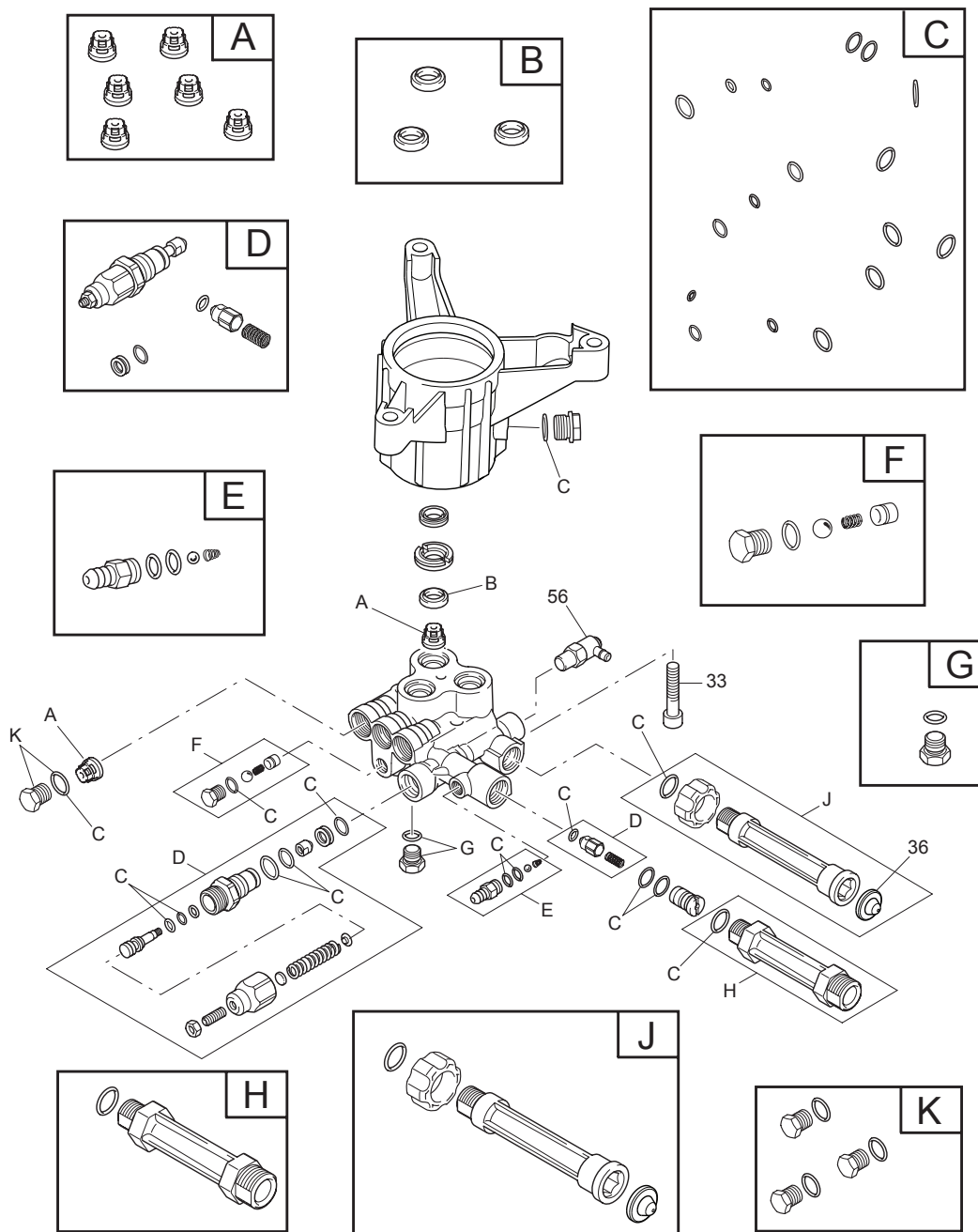
### Parts Not Illustrated

Part #	Description
23139DGS	KEY
704293	E-RING
319068GS	OIL
189332GS	PLUG-HOLE
208538GS	DECAL-WARNING SPARK
705752	TAG-WARNING

### Optional Accessories Not Illustrated

Sears Item #	Description
75187	Garden Hose Quick Connector
75197	Accessory Quick Connector
75122	30' Replacement Hose
75116	O Ring Repair Kit
75129	Turbo Nozzle
75121	25' Extension Hose
75247	Surface Cleaner
74403	Pump Saver
74404	PerfectMix™ Multi-Purpose and Vehicle Cleaner
74405	PerfectMix Degreaser Cleaner
74406	PerfectMix Mold and Mildew Cleaner

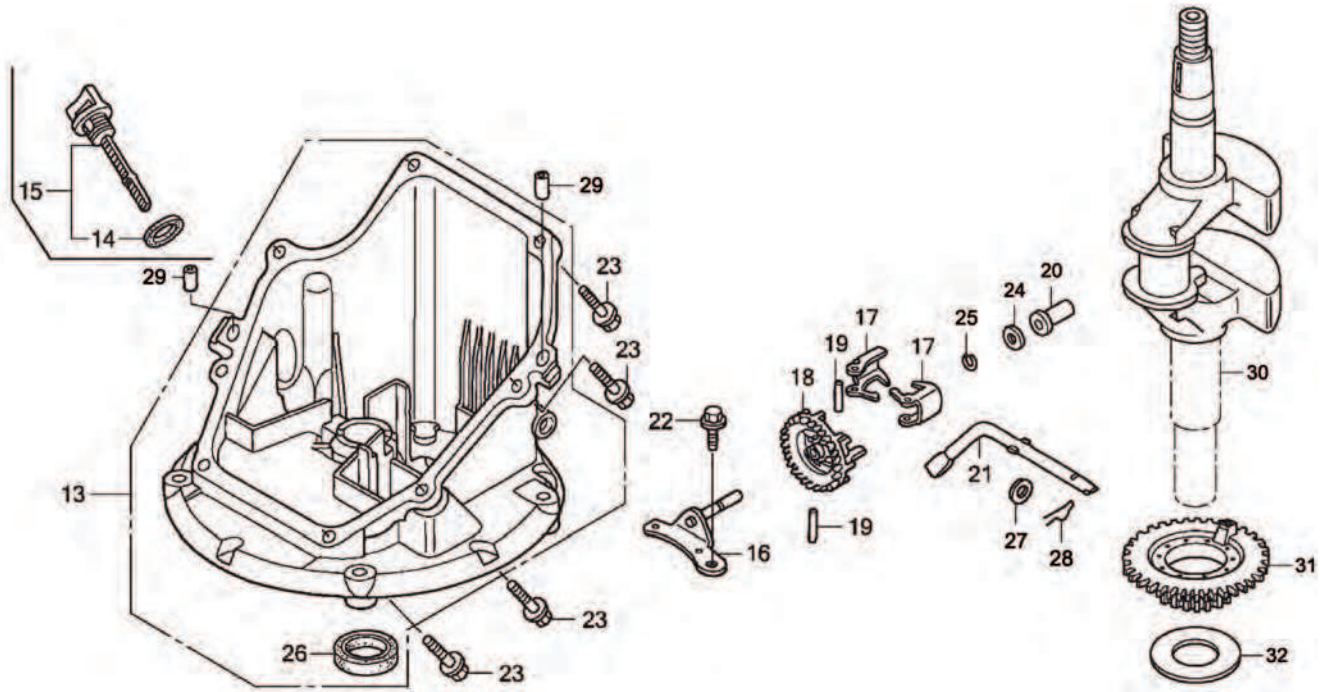
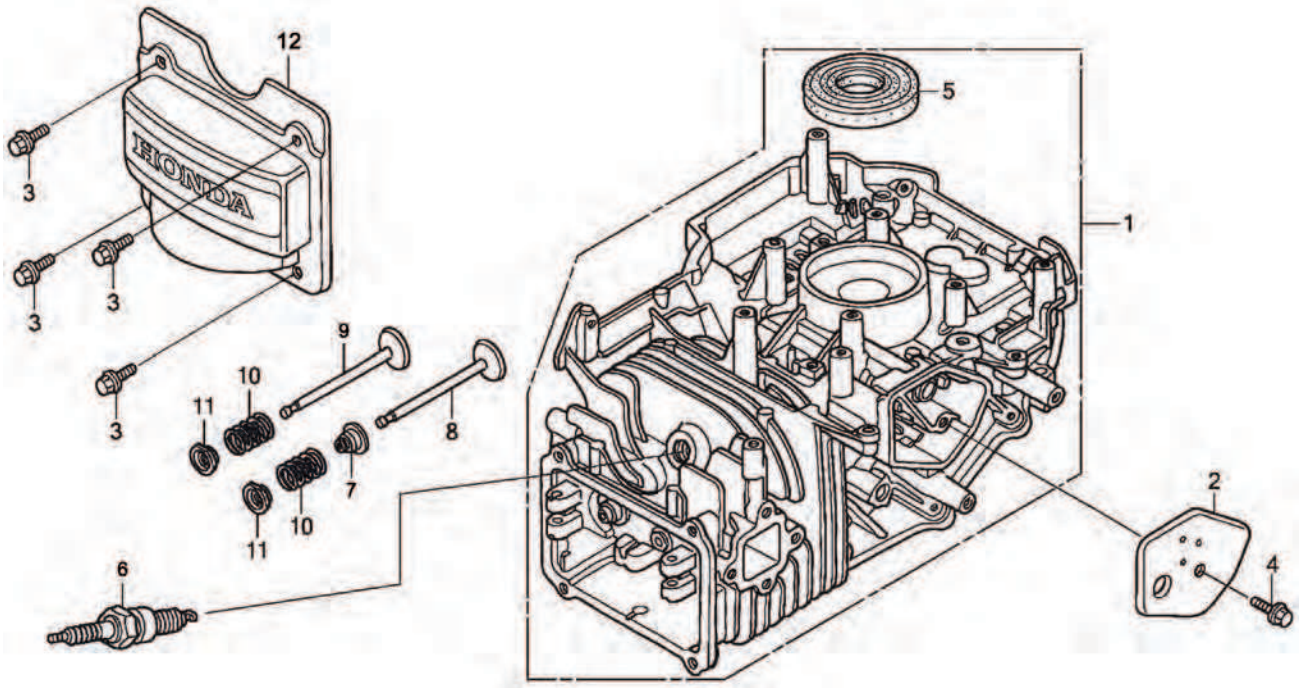
# CRAFTSMAN 2800 PSI Pressure Washer 580.754911 Pump — Exploded View and Parts List



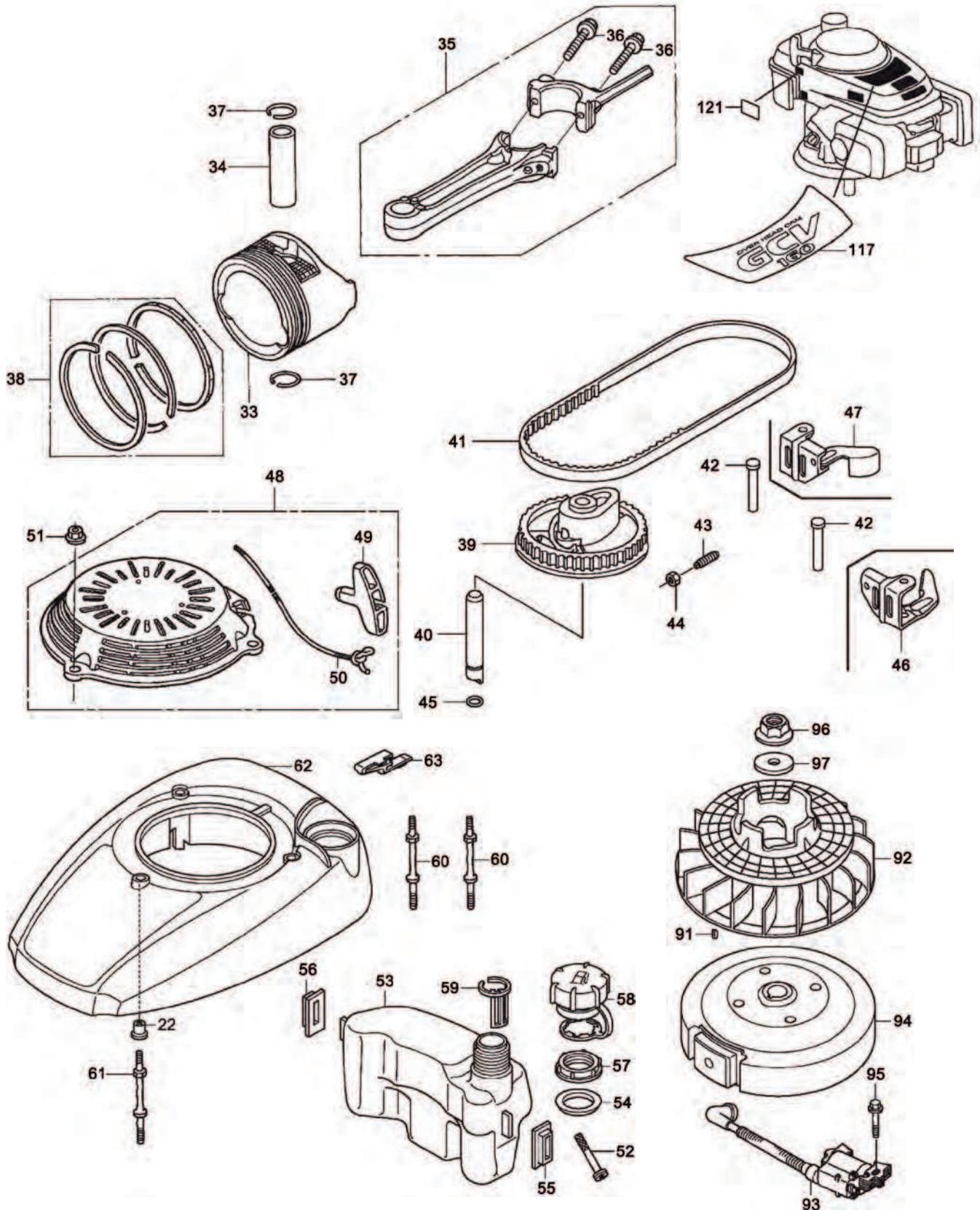
Item	Part #	Description
33	200275GS	SCREW
36	B2384GS	FILTER-GARDEN HOSE
56	208673GS	VALVE-THERMO RELIEF
A	317897GS	KIT-CHECK VALVE
B	200345GS	KIT-WATER SEAL
C	319404GS	KIT-O-RING
D	706610	KIT-UNLOADER
E	317787GS	KIT-CHEMICAL INJ
F	200349GS	KIT-EASY START
G	200350GS	SCREW-GRUB
H	201497GS	FITTING
J	201496GS	KIT-WATER INLET
K	317056GS	KIT-PLUG

**Optional Accessories Not Illustrated**  
 74403 Pump Saver  
 75127 Pump Oil

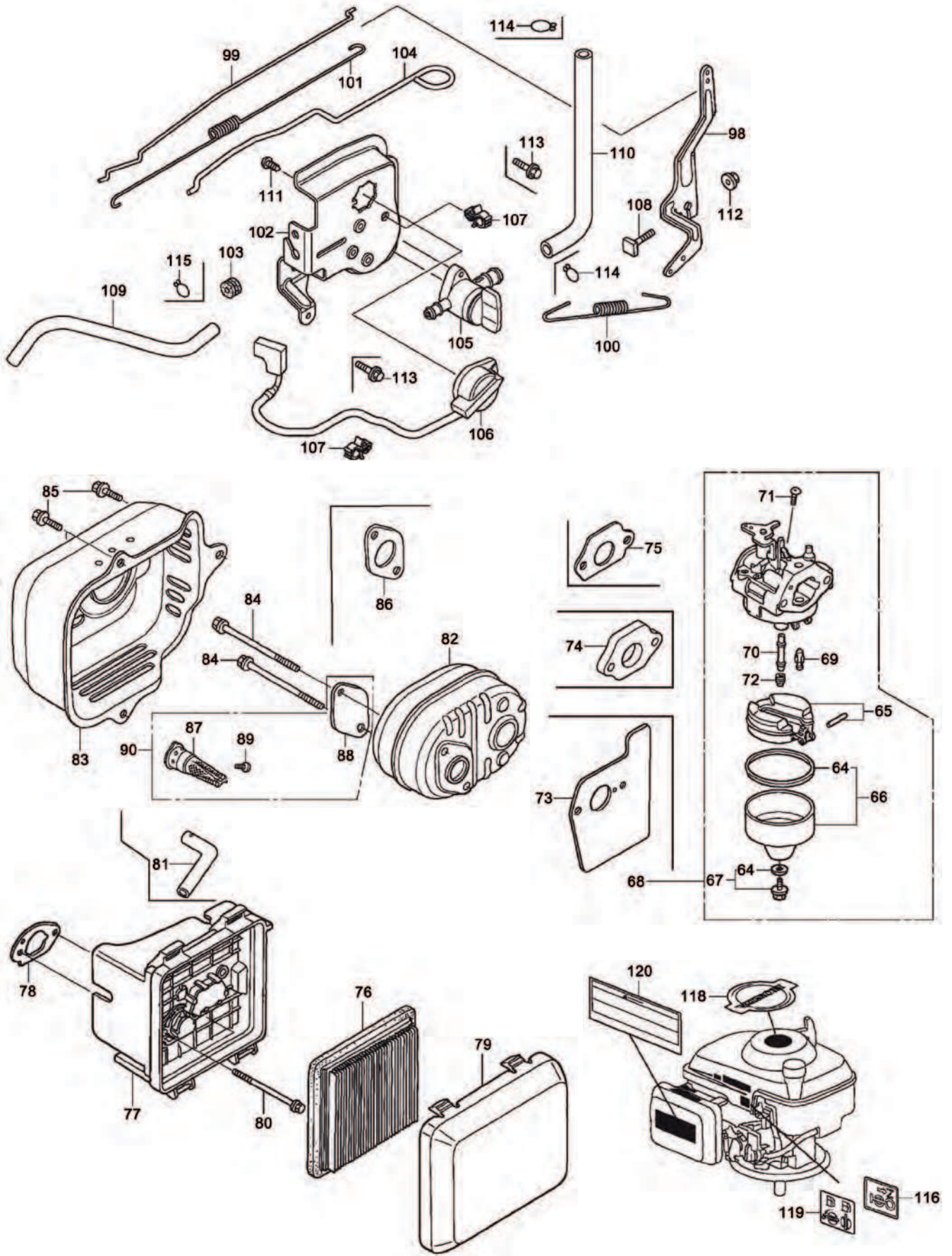
# ENGINE, Honda, GCV160LA0N5BR – Exploded View



# ENGINE, Honda, GCV160LA0N5BR – Exploded View



ENGINE, Honda, GCV160LA0N5BR – Exploded View



## ENGINE, Honda, GCV160LA0N5BR – Parts List

Item	Part #	Description
1	12000-Z8B-900	CYLINDER ASSY.
2	12355-ZL8-000	COVER, BREATHER (BREATHER VALVE ASSY.)
3	90013-883-000	BOLT, FLANGE (6X12) (CT200)
4	90014-952-000	BOLT, FLANGE (6X14) (CT200)
5	91201-ZL8-003	OIL SEAL (25.4X62X6)
6	98079-56846	SPARK PLUG (BPR6ES) (NGK)
7	12209-Z8B-003	SEAL, VALVE STEM
8	14711-Z0J-800	VALVE, IN
9	14721-Z8B-000	VALVE, EX. (C8E)
10	14751-ZL8-000	SPRING, VALVE
11	14771-Z0J-000	RETAINER, VALVE SPRING
12	12311-Z8B-000	COVER, HEAD
13	11300-ZM0-V31	PAN ASSY., OIL
14	15625-Z2L-801	GASKET, OIL FILLER CAP
15	15650-Z0L-000	GAUGE ASSY., OIL LEVEL
16	16508-Z8B-003	SHAFT, GOVERNOR HOLDER
17	16511-ZL8-000	WEIGHT, GOVERNOR
18	16512-ZM0-000	HOLDER, GOVERNOR WEIGHT
19	16513-ZE1-000	PIN, GOVERNOR WEIGHT
20	16531-ZE1-000	SLIDER, GOVERNOR
21	16541-Z8B-000	SHAFT, GOVERNOR ARM
22	90014-952-000	BOLT, FLANGE (6X14) (CT200)
23	90121-952-000	BOLT, FLANGE (6X25) (CT200)
24	90451-ZE1-000	WASHER, THRUST (6MM)
25	90602-ZE1-000	CLIP, GOVERNOR HOLDER
26	91202-ZM0-V31	OIL SEAL (28X41.25X6) (NOK)
27	94101-06800	WASHER, PLAIN (6MM)
28	94251-08000	PIN, LOCK (8MM)
29	90701-Z8B-000	PIN, DOWEL (8X20)
30	13311-Z8B-910	CRANKSHAFT
31	13621-Z8B-900	PULLEY, TIMING BELT DRIVE
32	90402-ZL8-000	WASHER, THRUST
33	13101-Z8B-820	PISTON
34	13111-Z8B-000	PIN, PISTON
35	13200-Z0J-000	ROD ASSY., CONNECTING
36	90006-Z8B-000	BOLT, CONNECTING ROD
37	90551-ZE0-000	CLIP, PISTON PIN (13MM)
38	13010-Z0L-014	RING SET, PISTON (STD.) (TEIKOKU)
39	14320-Z8D-000	PULLEY, CAMSHAFT
40	14324-Z8B-000	SHAFT, CAM PULLEY
41	14400-Z8B-003	BELT, TIMING (84HU6 G-200)
42	14461-ZL8-000	SHAFT, ROCKER ARM
43	90012-333-000	SCREW, TAPPET ADJUSTING
44	90206-001-000	NUT, TAPPET ADJUSTING
45	91301-ZM0-V31	O-RING (6.8X1.9) (ARAI)
46	14431-Z0J-000	ARM, IN. VALVE ROCKER
47	14441-Z0J-000	ARM, EX. VALVE ROCKER
48	28400-Z8D-911ZB	STARTER ASSY., RECOIL *NH1* (SHORT ROPE) (BLACK)
49	28461-ZL8-003	GRIP, STARTER
50	28462-ZL8-003	ROPE, RECOIL STARTER
51	90201-ZM0-000	NUT, FLANGE (6MM)
52	16952-Z8B-000	FILTER, FUEL
53	17511-Z8B-800	TANK, FUEL
54	17514-Z0L-000	SEAL, FUEL FILLER NECK
55	17532-Z8B-800	RUBBER A, TANK MOUNTING
56	17533-Z8B-800	RUBBER B, TANK MOUNTING
57	17534-Z0L-000	NUT, TANK MOUNTING
58	17620-Z0J-800	CAP ASSY., FUEL TANK
59	17636-Z0L-010	GAUGE, FUEL LEVEL
60	90043-Z8D-010	BOLT, STUD (FAN COVER)
61	90043-Z8B-910	BOLT, STUD (FAN COVER)
62	19611-Z8B-910ZB	COVER, FAN *NH1* (BLACK)
63	17516-Z8B-900ZD	CLIP, TANK MOUNTING *NH1* (BLACK)
64	16010-883-015	GASKET SET

## ENGINE, Honda, GCV160LA0N5BR – Parts List

Item	Part #	Description
65	16013-ZL1-003	FLOAT SET
66	16015-Z0L-881	CHAMBER SET, FLOAT (CARBURETOR NO.)
67	16028-ZE0-005	SCREW SET
	16028-ZK7-S91	SCREW SET
68	16100-Z8B-911	CARBURETOR ASSY. (BB76B A)
69	16155-ZM0-013	VALVE, FLOAT (CARBURETOR NO.)
70	16166-Z8B-901	NOZZLE, MAIN
71	93500-05006-0H	SCREW, PAN (5X6)
72	99101-124-0550	JET, MAIN (#55) (CARBURETOR NO.)
	99101-124-0580	JET, MAIN (#58) (CARBURETOR NO.)
	99101-124-0600	JET, MAIN (#60) (CARBURETOR NO.)
73	19651-Z0L-000	GUIDE, AIR
74	16211-Z8B-910	INSULATOR, CARBURETOR
75	16212-Z8B-900	GASKET, INSULATOR
76	17211-Z8B-901	ELEMENT, AIR CLEANER
77	17221-Z8B-900	HOUSING, AIR CLEANER
78	17228-Z8B-900	GASKET, AIR CLEANER
79	17231-Z0L-050	COVER, AIR CLEANER
80	90003-Z8B-900	BOLT, SPECIAL (6MM)
81	15721-Z8B-900	TUBE, BREATHER
82	18310-Z0Y-000	MUFFLER
83	18321-Z0L-010	PROTECTOR, MUFFLER
84	90004-ZL8-000	BOLT, FLANGE (6X79) (CT200)
85	90013-883-000	BOLT, FLANGE (6X12) (CT200)
86	18381-ZL8-305	GASKET, MUFFLER
87	18350-ZL8-000	ARRESTER, SPARK
88	18356-ZL8-000	PLATE, ARRESTER NUMBER
89	90055-ZE1-000	SCREW, TAPPING (4X6)
90	06180-Z0J-000	ARRESTER KIT, SPARK
91	13331-357-000	KEY, SPECIAL WOODRUFF (25X18)
92	19511-Z8B-900	FAN, COOLING
93	30500-Z8B-911	COIL ASSY., IGNITION (PHELON)
94	31110-Z8B-911	FLYWHEEL (KOKUSAN)
95	90018-ZE1-000	BOLT, FLANGE (6X23) (CT200)
96	90201-Z0T-800	NUT, SPECIAL (14MM)
97	90401-Z8B-900	WASHER (14X45)
98	16551-ZM0-010	ARM, GOVERNOR
99	16555-Z0L-801	ROD, GOVERNOR
100	16561-Z8B-010	SPRING, GOVERNOR
101	16562-ZM0-000	SPRING, THROTTLE RETURN
102	16581-Z8D-000	BASE, CONTROL
103	16613-893-000	GROMMET, CHOKE ROD
104	16674-Z8D-800	ROD, CHOKE
105	16950-Z0Y-003	PETCOCK ASSY
106	35120-Z8B-911	SWITCH ASSY., ENGINE STOP
107	51125-Z0L-003	HOLDER, WIRE (FASTEX)
108	90015-ZE5-010	BOLT, GOVERNOR ARM
109	16840-Z8D-900	TUBE, FUEL (4.5X140)
110	91427-Z8D-901	TUBE, FUEL (7.3X145) (NA USE ALT:17700-Z8D-900)
111	93913-25220	SCREW, TAPPING (5X12) (PO)
112	94050-06000	NUT, FLANGE (6MM)
113	90014-952-000	BOLT, FLANGE (6X14) (CT200)
114	95002-02130	CLIP, TUBE (B12.5)
115	95002-50000	CLIP, TUBE (C9)
116	87528-ZL8-000	MARK, CHOKE
117	87101-Z8B-910	MARK, EMBLEM
118	87169-Z8E-000	MARK, RECOIL COVER
119	87524-Z8B-000	MARK, FUEL PETCOCK CAUTION
120	87516-Z0J-000	MARK, OPERATOR CAUTION (ENGLISH)
121	87114-ZH7-821	LABEL, WARNING (NOT CERTIFIED FOR SALE) (NOT CERTIFIED FOR SALE)

# EMISSION CONTROL SYSTEM WARRANTY

## California, U.S. EPA, and Sears Emissions Control Warranty Statement

### Your Warranty Rights And Obligations

The California Air Resources Board, U.S. EPA, and Sears Brands Management Corporation, U.S.A. (Sears) are pleased to explain the emissions control system warranty on your 2014-2016 engine/equipment. In California, new small off-road engines and large spark ignited engines less than or equal to 1.0 liter must be designed, built, and equipped to meet the State's stringent anti-smog standards. Sears must warrant the emissions control system on your engine/equipment for the periods of time listed below provided there has been no abuse, neglect, or improper maintenance of your engine/equipment.

Your exhaust emissions control system may include parts such as the carburetor or fuel injection system, ignition system, and catalytic converter. Also included may be hoses, belts, connectors, sensors, and other emissions-related assemblies. Your evaporative emission control system may include parts such as: carburetors, fuel tanks, fuel lines, fuel caps, valves, canisters, filters, vapor hoses, clamps, connectors, and other associated components.

Where a warrantable condition exists, Sears will repair your engine/equipment at no cost to you including diagnosis, parts, and labor.

### Manufacturer's Warranty Coverage:

Small off-road engines and large spark ignited engines less than or equal to 1.0 liter, and any related emissions components of the equipment, are warranted for two years, or for the time period listed in the respective engine or product warranty statement, whichever is greater. If any emissions-related part on your engine/equipment is defective, the part will be repaired or replaced by Sears.

### Owner's Warranty Responsibilities:

- As the engine/equipment owner, you are responsible for the performance of the required maintenance listed in your Operator's Manual. Sears recommends that you retain all receipts covering maintenance on your engine/equipment, but Sears cannot deny warranty solely for the lack of receipts or your failure to ensure the performance of all scheduled maintenance.
- As the engine/equipment owner, you should however be aware that Sears may deny you warranty coverage if your engine/equipment or a part has failed due to abuse, neglect, improper maintenance, or unapproved modifications.
- You are responsible for presenting your engine/equipment to a Sears distribution center, servicing dealer, or other equivalent entity, as applicable, as soon as a problem exists. The warranty repairs should be completed in a reasonable amount of time, not to exceed 30 days. If you have any questions regarding your warranty rights and responsibilities, you should contact Sears at (800) 469-4663 (in USA) or [www.craftsman.com/warranty](http://www.craftsman.com/warranty).

### Sears Emissions Control Warranty Provisions

The following are specific provisions relative to your Emissions Control Warranty Coverage. It is in addition to the engine warranty for non-regulated engines found in the Operator's Manual.

#### 1. Warranted Emissions Parts

Coverage under this warranty extends only to the parts listed below (the emissions control systems parts) to the extent these parts were present on the engine and/or supplied fuel system.

##### a. Fuel Metering System

- Cold start enrichment system (soft choke)
- Carburetor or fuel injection system
- Oxygen sensor
- Electronic control unit
- Fuel pump module
- Fuel line, fuel line fittings, clamps
- Fuel tank, cap and tether
- Carbon canister

##### b. Air Induction System

- Air cleaner
- Intake manifold
- Purge and vent line

##### c. Ignition System

- Spark plug(s)
- Magneto ignition system

##### d. Catalyst System

- Catalytic converter
- Exhaust manifold
- Air injection system or pulse valve

##### e. Miscellaneous Items Used in Above Systems

- Vacuum, temperature, position, time sensitive valves and switches
- Connectors and assemblies

#### 2. Length of Coverage

Coverage is for a period of two years from the date of original purchase, or for the period listed in the respective engine or product warranty statement, whichever is greater. Sears warrants to the original purchaser and each subsequent purchaser that the engine is designed, built, and equipped so as to conform with all applicable regulations adopted by the Air Resources Board; that it is free from defects in material and workmanship that could cause the failure of a warranted part; and that is identical in all material respects to the engine described in the manufacturer's application for certification. The warranty period begins on the date the engine is originally purchased.

The warranty on emissions-related parts is as follows:

- Any warranted part that is not scheduled for replacement as required maintenance in the Operator's Manual supplied, is warranted for the warranty period stated above. If any such part fails during the period of warranty coverage, the part will be repaired or replaced by Sears at no charge to the owner. Any such part repaired or replaced under the warranty will be warranted for the remaining warranty period.
  - Any warranted part that is scheduled only for regular inspection in the Operator's Manual supplied, is warranted for the warranty period stated above. Any such part repaired or replaced under warranty will be warranted for the remaining warranty period.
  - Any warranted part that is scheduled for replacement as required maintenance in the Operator's Manual supplied, is warranted for the period of time prior to the first scheduled replacement point for that part. If the part fails prior to the first scheduled replacement, the part will be repaired or replaced by Sears at no charge to the owner. Any such part repaired or replaced under warranty will be warranted for the remainder of the period prior to the first scheduled replacement point for the part.
  - Add-on or modified parts that are not exempted by the Air Resources Board may not be used. The use of any non-exempted add-on or modified parts by the owner will be grounds for disallowing a warranty claim. The manufacturer will not be liable to warrant failures of warranted parts caused by the use of a non-exempted add-on or modified part.
3. Consequential Coverage  
Coverage shall extend to the failure of any engine components caused by the failure of any warranted emissions parts.
4. Claims and Coverage Exclusions  
Warranty claims shall be filed according to the provisions of the engine warranty policy. Warranty coverage does not apply to failures of emissions parts that are not original equipment parts or to parts that fail due to abuse, neglect, or improper maintenance as set forth in the engine warranty policy. Sears is not liable for warranty coverage of failures of emissions parts caused by the use of add-on or modified parts.

### **Look For Relevant Emissions Durability Period and Air Index Information On Your Small Off-Road Engine Emissions Label**

Engines that are certified to meet the California Air Resources Board (CARB) small off-road Emissions Standard must display information regarding the Emissions Durability Period and the Air Index. Sears makes this information available to the consumer on our emissions labels. The engine emissions label will indicate certification information.

The **Emissions Durability Period** describes the number of hours of actual running time for which the engine is certified to be emissions compliant, assuming proper maintenance in accordance with the Operator's Manual. The following categories are used:

**Moderate:** Engines at or less than 80 cc displacement are certified to be emissions compliant for 50 hours of actual engine running time. Engines greater than 80 cc displacement are certified to be emissions compliant for 125 hours of actual engine running time.

**Intermediate:** Engines at or less than 80 cc displacement are certified to be emissions compliant for 125 hours of actual engine running time. Engines greater than 80 cc displacement are certified to be emissions compliant for 250 hours of actual engine running time.

**Extended:** Engines at or less than 80 cc displacement are certified to be emissions compliant for 300 hours of actual engine running time. Engines greater than 80 cc displacement are certified to be emissions compliant for 500 hours of actual engine running time.

For example, a typical walk-behind lawn mower is used 20 to 25 hours per year. Therefore, the **Emissions Durability Period** of an engine with an **intermediate** rating would equate to 10 to 12 years.

Engines are certified to meet the United States Environmental Protection Agency (USEPA) Phase 2 or Phase 3 emissions standards. The Emissions Compliance Period referred to on the Emissions Compliance label indicates the number of operating hours for which the engine has been shown to meet Federal emissions requirements.

For engines at or less than 80 cc displacement:

Category C = 50 hours, Category B = 125 hours, Category A = 300 hours

For engines greater than 80 cc displacement and less than 225 cc displacement:

Category C = 125 hours, Category B = 250 hours, Category A = 500 hours

For engines of 225 cc or more displacement:

Category C = 250 hours, Category B = 500 hours, Category A = 1000 hours

# TABLA DE CONTENIDOS

GARANTIA . . . . .	34	ESPECIFICACIONES . . . . .	48
CONTRATO DE PROTECCIÓN PARA REPARACIONES	34	MANTENIMIENTO . . . . .	49-54
REGLAS DE SEGURIDAD . . . . .	35-37	ALMACENAMIENTO . . . . .	55-56
CARACTERÍSTICAS Y CONTROLES . . . . .	38	REPARACION DE DAÑOS REPUESTOS . . . . .	57
MONTAJE . . . . .	39-42	GARANTIA DEL CONTROL DE EMISIONES . . . . .	58-59
OPERACION . . . . .	43-47	COMO ORDENAR PARTES . . . . .	PAGINA POSTERIOR

## GARANTIA

### GARANTÍA LIMITADA CRAFTSMAN

DURANTE DOS AÑOS a partir de la fecha de venta, este producto está garantizado contra defectos en materiales o mano de obra. CON COMPROBANTE DE COMPRA, un producto defectuoso será reparado o reemplazado gratis a discreción del vendedor.

Para detalles sobre la cobertura de la garantía para obtener reparación o reemplazo gratis, visite la página web: [www.craftsman.com/warranty](http://www.craftsman.com/warranty)

Esta garantía SOLAMENTE cubre defectos de materiales y mano de obra. La cobertura de la garantía NO incluye:

- Artículos consumibles que puedan desgastarse con el uso normal dentro del período de garantía, tales como pistolas rociadoras, mangueras, extensiones de boquillas, boquillas, puntas rociadoras, filtros o bujías.
- Daños al producto que sean resultado de intentos de usuario de modificar o reparar el producto, o que sean causados por accesorios para el producto.
- Reparaciones necesarias debido a accidentes o a que la operación o mantenimiento del producto no se ha realizado de acuerdo con las instrucciones proporcionadas.
- Mantenimiento preventivo o reparaciones necesarias debido a mezcla inapropiada de combustible, combustible contaminado o combustible viejo.

Esta garantía queda anulada si se utiliza este producto al proveer servicios comerciales o si se lo alquila a otra persona.

Esta garantía le otorga derechos legales específicos y usted también podría tener otros derechos que varían de estado en estado.

**Sears Brands Management Corporation, Hoffman Estates, IL 60179**

## CONTRATO DE PROTECCIÓN PARA REPARACIONES

*Felicidades por realizar una compra inteligente.*

Su nuevo producto Craftsman® está diseñado y fabricado para funcionar de manera fiable durante muchos años. Pero como todos los productos, es posible que requiera reparación ocasionalmente. Es en esos momentos, tener un contrato de protección para reparaciones puede ahorrarle dinero y molestias.

**A continuación se menciona lo que el contrato de protección para reparaciones\* contempla:**

- **Servicio experto** de nuestros 10.000 especialistas profesionales en reparación.
- **Servicio ilimitado y sin costo** en partes y mano de obra en todas las reparaciones incluidas en la cobertura.
- **Cambio del producto** por hasta \$1.500 si el producto incluido en la cobertura no se puede reparar.
- **Un 25% de descuento** en el precio normal de servicio y en partes instaladas relacionadas no incluidas en la cobertura del contrato; asimismo, un 25% de descuento en el precio normal de revisiones de mantenimiento preventivo.
- **Ayuda telefónica rápida.** Nuestro servicio de Solución rápida consiste en apoyo telefónico por un representante de Sears. Piense que somos un "manual del usuario parlante".

Una vez que adquiera el contrato de protección para reparaciones, sólo tiene que hacer una sencilla llamada telefónica para programar un servicio. Puede llamar a cualquier hora del día o la noche, o programar una cita de servicio en línea.

El contrato de protección para reparaciones es una compra segura. Si lo cancela por cualquier motivo durante el período de garantía del producto, le reembolsaremos el total de su dinero o una parte proporcional en cualquier momento posterior al vencimiento del período de garantía del producto. Adquiera hoy su contrato de protección para reparaciones.

**Aplican algunas limitaciones y exclusiones. Para conocer precios y obtener información adicional en EE. UU., llame al 1-800-827-6655.**

**\* La cobertura en Canadá varía en determinados artículos. Para obtener todos los detalles, comuníquese a Sears Canadá al 1-800-361-6665.**

**Servicio de instalación de Sears**

*Para solicitar un servicio de instalación por parte de un profesional de Sears para aparatos domésticos, puertas automáticas de garajes, calentadores de agua y otros artículos domésticos importantes en EE. UU. o Canadá, comuníquese al 1-800-4-MY-HOME®.*

# REGLAS DE SEGURIDAD



Lea este manual minuciosamente y conozca a fondo las partes y el funcionamiento de su máquina limpiadora a presión. Conozca sus aplicaciones, sus limitaciones y los peligros involucrados.

## Información importante de seguridad

### Símbolos sobre la seguridad y significados



Manual del Operario



Gases Tóxicos



Descarga Eléctrica



Superficies Resbalosas



Inyección Líquida



Partes en Movimiento



Caer



Superficie Caliente



Proyectil



Objetos Voladores



Fuego



Explosión



Quemadura Química



Contragolpe

⚠ El símbolo de alerta de seguridad indica un posible riesgo para su integridad física. Se utiliza una palabra de señalización (PELIGRO, ADVERTENCIA o PRECAUCIÓN) junto con el símbolo de alerta para designar un grado o nivel de gravedad de riesgo. Se puede utilizar un símbolo de seguridad para representar el tipo de riesgo. La palabra de señalización AVISO se utiliza para hacer referencia a una práctica no relacionada con una lesión física.

⚠ **PELIGRO** indica un riesgo que, de no evitarse, *provocará* la muerte o lesiones de gravedad.

⚠ **ADVERTENCIA** indica un riesgo que, de no evitarse, *podría* provocar la muerte o lesiones de gravedad.

⚠ **PRECAUCIÓN** indica un riesgo que, de no evitarse, *podría* provocar lesiones leves o moderadas.

**AVISO** hace referencia a una práctica no relacionada con una lesión física.

⚠ **ADVERTENCIA** El escape del motor de este producto contiene elementos químicos reconocidos en el Estado de California por producir cáncer, defectos de nacimiento u otros daños de tipo reproductivo.

⚠ **ADVERTENCIA** Este producto contiene plomo y compuestos de plomo declarados causantes de malformaciones y otros defectos congénitos por el Estado de California. *Lávese las manos después de manipular este producto.*

⚠ **ADVERTENCIA** Riesgo de electrocución. El contacto con los cables eléctricos podría provocar electrocución y quemaduras que pueden provocar lesiones graves o la muerte.

- NUNCA rocíe cerca de una fuente de energía eléctrica.

⚠ **ADVERTENCIA PELIGRO DE GAS VENENOSO.**



Los gases del escape del motor contienen monóxido de carbono, un gas venenoso que podría matarlo en minutos. NO tiene olor, color ni sabor. Aun si no puede oler los vapores del escape, podría estar expuesto al gas de monóxido de carbono. La inhalación o ingestión de algunas sustancias químicas o detergentes puede ser peligroso y provocar lesiones graves, náuseas, desmayos, envenenamiento o la muerte.

- Utilice este producto ÚNICAMENTE a la intemperie, lejos de ventanas, puertas y ventilaciones para reducir el riesgo de que el gas de monóxido de carbono se acumule y entre en los espacios habitados.
- Instale alarmas para detectar monóxido de carbono operadas con baterías o enchufables con baterías de repuesto de acuerdo con las instrucciones del fabricante. Las alarmas de humo no pueden detectar el gas de monóxido de carbono.
- NO utilice este producto dentro de casas, garajes, sótanos, entresuelos, cobertizos o en otros espacios parcialmente cerrados, aún si utiliza ventiladores o deja las puertas y ventanas abiertas para favorecer la ventilación. El monóxido de carbono puede acumularse rápidamente en estos espacios y perdurar ahí durante horas, aun después de que este producto se haya apagado.
- SIEMPRE coloque este producto en dirección del viento y dirija el escape del motor en sentido contrario a los espacios habitados.

Si comienza a sentirse mal, mareado o débil cuando use este producto, busque aire puro DE INMEDIATO. Acuda a un médico. Es posible que se haya envenenado con monóxido de carbono.

- Utilice un respirador o una máscara cada vez que exista la posibilidad de inhalar vapores al utilizar sustancias químicas.
- Lea todas las instrucciones de la máscara para comprobar si proporciona la protección necesaria contra la inhalación de vapores nocivos cuando se utilicen sustancias químicas.

**⚠ ADVERTENCIA** El retroceso (repliegue rápido) del cable del arrancador impedirá que el usuario suelte el cable a tiempo y tirará de su mano y brazo hacia el motor, lo que podría provocar fracturas, contusiones o esguinces; así como lesiones graves.



- NUNCA tire del cable del arrancador sin eliminar previamente la presión de la pistola rociadora.
- Cuando arranque el motor, tire lentamente del cable hasta sentir una resistencia y, a continuación, tire rápidamente de él para evitar su retroceso.
- Después de cada intento de arranque, cuando el motor no consiga arrancar, apunte con la pistola rociadora hacia una dirección segura, pulse el botón rojo y apriete el gatillo para descargar la presión.
- Sujete firmemente la pistola rociadora con ambas manos cuando aplique un rociado a alta presión para evitar lesiones cuando se produzca el retroceso de la pistola.

**⚠ ADVERTENCIA** Los gases y el calor de escape podrían inflamar los materiales combustibles y las estructuras o dañar el depósito de combustible y provocar incendios, así como lesiones graves o incluso la muerte.



El contacto con la zona del silenciador podría producir quemaduras y lesiones graves.

- NO toque las superficies calientes y evite los gases del escape a alta temperatura.
- Permita que el equipo se enfríe antes de tocarlo.
- Deje un espacio mínimo de 1.5 m (5 pies) alrededor del limpiadora a presión, incluida la parte superior.
- Utilizar el motor en un terreno boscoso, con maleza o cubierto de hierba constituye una infracción al Código de recursos públicos de California, a menos que el sistema de escape esté equipado con una pantalla apagachispas, de acuerdo a la definición de la Sección 4442, que se mantenga en buenas condiciones de funcionamiento. En otros estados o jurisdicciones federales puede haber leyes similares en vigor. Póngase en contacto con el fabricante, el vendedor o el distribuidor del equipo original para obtener una pantalla apagachispas diseñada para el sistema de escape instalado en este motor.
- Las piezas de recambio deben ser las mismas que las piezas originales y estar instaladas en la misma posición.

**⚠ ADVERTENCIA** El arrancador y otras piezas rotativas podrían enredarse en las manos, el pelo, la ropa u otros accesorios, y provocar lesiones graves.



- NUNCA utilice la limpiadora a presión sin sus carcasas o tapas de protección.
- NO utilice ropa suelta, joyas ni objetos que podrían quedar atrapados en el arrancador o en otras piezas rotativas.
- Ate para arriba el pelo largo y quite la joyería.

**⚠ ADVERTENCIA** El combustible y sus vapores son extremadamente inflamables y explosivos, lo que podría provocar quemaduras, incendios o explosiones; así como lesiones graves o incluso la muerte.



#### **CUANDO ANADA COMBUSTIBLE O VACÍE EL DEPÓSITO**

- DETENGA el motor del limpiadora a presión y déjelo enfriar durante al menos 2 minutos antes de quitar el tapón de combustible. Afloje la tapa lentamente para dejar que la presión salga del tanque.
- Llene o vacíe el depósito de combustible a la intemperie.
- NO llene demasiado el tanque. Permita al menos espacio para la expansión del combustible.
- Si se ha derramado combustible, espere a que se evapore antes de arrancar el motor.
- Mantenga la gasolina alejada de chispas, llamas abiertas, pilotos, calor y otras fuentes de ignición.
- Compruebe frecuentemente que las líneas de combustible, el tanque, el tapón y los accesorios no estén rotos o tengan fugas. Cámbielos si es necesario.
- NO encienda un cigarrillo o fume.

#### **CUANDO PONGA EN FUNCIONAMIENTO EL EQUIPO**

- Compruebe que la bujía, el silenciador, el tapón del depósito de combustible y el filtro de aire están instalados.
- NO arranque el motor sin la bujía instalada.

#### **CUANDO OPERE EL EQUIPO**

- NO utilice este producto en el interior de un edificio, cochera, porche, equipo móvil, taller de aplicaciones navales o recinto.
- NO incline el motor o el equipo, de tal manera que la gasolina se pueda derramar.
- NO rocíe líquidos inflamables.

#### **AL TRANSPORTAR, MOVER O REPARAR EQUIPO**

- Transporte, mover o repare el equipo con el tanque de combustible vacío, o con la válvula para apagar el combustible, posición OFF (0).
- NO incline el motor o el equipo, de tal manera que la gasolina se pueda derramar.
- Desconecte el cable de la bujía.

#### **CUANDO ALMACENE O GUARDE EL EQUIPO CON COMBUSTIBLE EN EL TANQUE**

- Manténgalo alejado de calderas, estufas, calentadores de agua, secadoras de ropa u otros aparatos que utilicen llama piloto u otras fuentes de ignición que podrían inflamar los vapores de combustible.

**⚠ ADVERTENCIA** El uso de una limpiadora a presión podría producir charcos y superficies resbaladizas que provoquen que se caiga y sufra lesiones graves o que se muera.



El retroceso de la pistola rociadora podría provocar caídas con lesiones graves o la muerte.

- Utilice la limpiadora a presión desde una superficie estable.
- El área de limpieza deberá tener inclinaciones y drenajes adecuados para disminuir la posibilidad de caídas debido a superficies resbalosas.
- Extreme las precauciones si necesita utilizar la limpiadora a presión desde una escalera, un andamio u otro lugar similar.
- Sujete firmemente la pistola rociadora con ambas manos cuando aplique un rociado a alta presión para evitar lesiones cuando se produzca el retroceso de la pistola.

**⚠ ADVERTENCIA** Peligro de quemadura química.



Las sustancias químicas podrían provocar quemaduras, así como lesiones graves o incluso la muerte.

- NO use líquido cáustico con la limpiadora a presión.
- Use **EXCLUSIVAMENTE** detergentes o jabones especiales para la limpiadora a presión. Siga todas las instrucciones del fabricante.

**⚠ ADVERTENCIA** El chorro de agua a alta presión que este equipo produce podría atravesar la piel y los tejidos subcutáneos, que podrían provocar lesiones graves y la posible amputación de un miembro.



La pistola rociadora retiene agua a alta presión incluso con el motor parado y el agua desconectada; esto podría provocar lesiones graves.

- En caso de que algún líquido le cause una cortadura, llame al médico de inmediato. NO la trate como una cortadura común.
- NO permita en ningún momento que NIÑOS operen la máquina limpiadora a presión.
- NUNCA repare la manguera de alta presión. Reemplacela.
- NUNCA utilice ningún tipo de sellador para reparar una fuga en una conexión. Sustituya la junta tórica o la junta.
- NUNCA conecte la manguera de alta presión al prolongador de la boquilla.
- Mantenga conectada la manguera a la máquina o a la pistola de rociado cuando el sistema esté presurizado.
- SIEMPRE que pare el motor, apunte con la pistola rociadora hacia una dirección segura, pulse el botón rojo y apriete el gatillo para descargar la presión.
- NUNCA apunte la pistola a la gente, animales o plantas.
- NO fije la pistola rociadora en la posición abierta.
- NO abandone la pistola rociadora cuando la máquina esté en funcionamiento.
- NUNCA utilice una pistola rociadora cuyo seguro o protección para el gatillo no esté en perfecto estado de funcionamiento.
- Asegúrese en todo momento de conectar correctamente la pistola rociadora, las boquillas y los accesorios.

**⚠ ADVERTENCIA** Las chispas involuntarias podrían provocar incendios o electrocución que pueden provocar lesiones graves o la muerte.



**CUANDO AJUSTE O HAGA REPARACIONES A SU MÁQUINA LIMPIADORA A PRESIÓN**

- Siempre desconecte el alambre de la bujía y colóquelo donde no pueda entrar en contacto con la bujía.

**CUANDO PRUEBE LA BUJÍA DEL MOTOR**

- Utilice un comprobador de bujías homologado.
- NO compruebe la chispa sin la bujía instalada.

**⚠ ADVERTENCIA** Riesgo de lesiones en los ojos o el cuerpo. El agua rociada podría salpicar o propulsar objetos, lo que puede provocar lesiones graves.



- Cuando utilice este equipo o esté cerca de él, siempre use gafas de seguridad con ventilación indirecta (contra salpicaduras de productos químicos) marcadas para cumplir con ANSI Z87.1.
- NUNCA se ponga gafas de seguridad ni gafas para entornos secos como sustituto de las gafas de seguridad con ventilación indirecta.
- Siempre utilice ropa de protección como una camisa de manga larga, pantalones largos y zapatos cerrados.
- NUNCA ponga en funcionamiento la limpiadora a presión cuando esté descalzo, lleve sandalias o pantalones cortos.

**⚠ PRECAUCIÓN** Las velocidades de funcionamiento excesivamente altas podrían provocar lesiones leves.

Las velocidades excesivamente bajas incrementan la carga de trabajo.

- NO intente alterar el resorte, las conexiones y otras partes del regulador para incrementar la velocidad del motor. La limpiadora a presión ejerce la presión y el flujo nominales correctos cuando funciona a una velocidad controlada.
- NO modifique al limpiadora a presión en ninguna forma.

**AVISO** El rociado de alta presión podría dañar objetos frágiles, incluido el vidrio.

- NO dirija la pistola rociadora hacia un cristal cuando utilice la punta de rociado de roja de 0°.
- NUNCA apunte la pistola a plantas.

**AVISO** Un tratamiento inadecuado de la limpiadora a presión podría dañarla y acortar su vida útil.

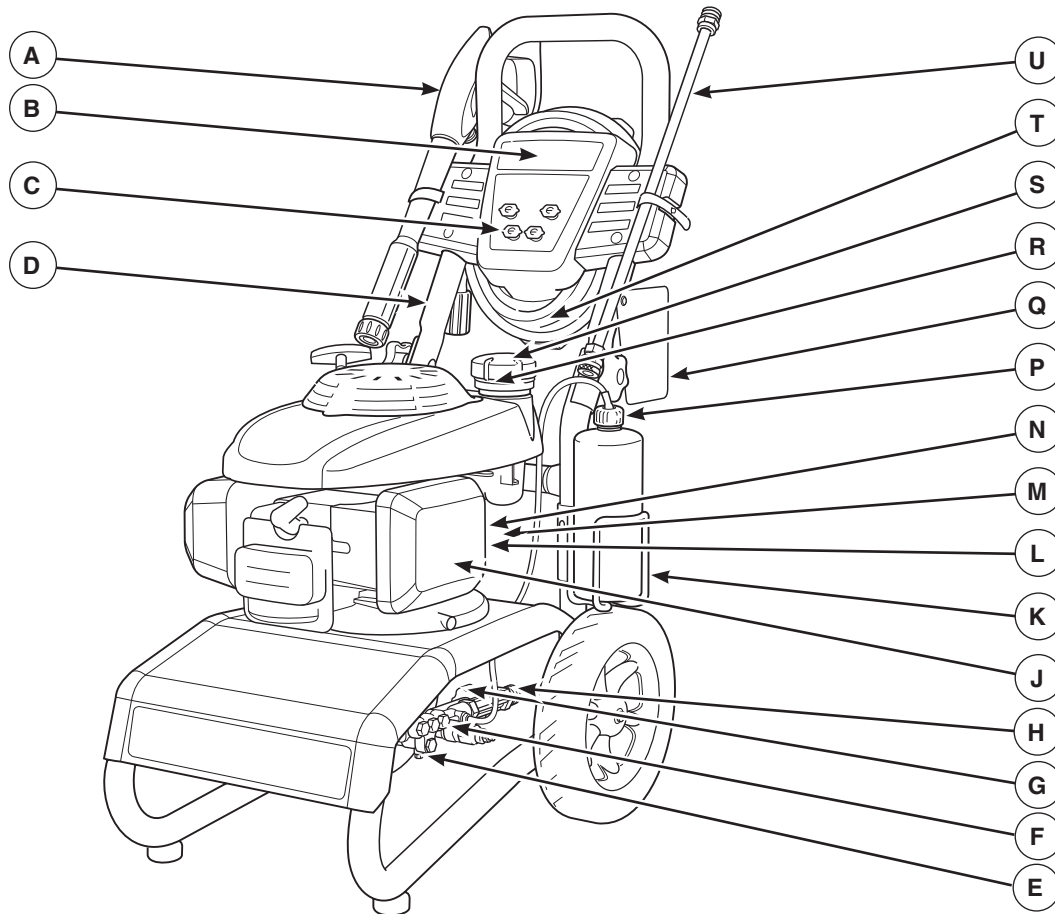
- Si usted tiene alguna pregunta acerca de las finalidades de uso del limpiadora a presión, pregúntele a su concesionario o contacte el distribuidor de servicio autorizado.
- NUNCA deberán ser operadas las unidades con partes rotas o ausentes, o sin la caja o cubiertas de protección.
- NO eluda ningún dispositivo de seguridad de esta máquina.
- NO intente alterar la velocidad controlada.
- NO utilice la limpiadora a presión por encima de su presión nominal.
- NO haga ninguna modificación en la limpiadora a presión.
- Antes de poner en marcha la máquina limpiadora a presión en clima frío, revise todas las partes del equipo y asegúrese de que no se haya formado hielo sobre ellas.
- NUNCA mueva la máquina halando la manguera de alta presión. Utilice la manija que viene con la unidad.
- El equipo de alta presión está diseñado para ser utilizado **UNICAMENTE** con las partes autorizadas Sears. Si utiliza este equipo con partes que no cumplan con las especificaciones mínimas, el usuario asume todos los riesgos y responsabilidades.

# CARACTERÍSTICAS Y CONTROLES

## CONOZCA SU MAQUINA LIMPIADORA A PRESIÓN



Lea el Manual del Operario y las reglas de seguridad antes de poner en marcha su sistema de limpieza. Compare las ilustraciones con su sistema de limpieza para familiarizarse con las ubicaciones de los diferentes controles y ajustes. Guarde este manual para referencias futuras.



- A - Pistola de rociado** — Controla la aplicación de agua sobre la superficie de limpieza con el gatillo. Incluye cerrojo de seguridad.
- B - Bandeja de accesorios** — Permite almacenar cómodamente los accesorios de serie.
- C - Puntas de Rociado** — Detergente, 0°, 15° y 40°: para diferentes alta presión aplicaciones de limpieza.
- D - Asa plegable** — El asa y la bandeja de accesorios se pliegan sobre el motor cuando está frío para reducir el espacio necesario para el almacenamiento.
- E - Automático se enfría sistema** — Los ciclos regan por bomba cuando agua alcanza 125°-155°F. Entibiar agua descargará de la bomba en el suelo. Este sistema previene el daño interno de bomba.
- F - Bomba** — Desarrolla alta presión de agua.
- G - Entrada de agua** — Conexión para la manguera de jardín.
- H - Toma de alta presión** — Conexión para la manguera de alta presión.
- J - Filtro de aire** — El elemento de filtro tipo seco limita la cantidad de suciedad y polvo que se introduce en el motor.
- K - Soporte para botella** — La botella de solución limpiadora se adapta a la forma del soporte de alambre. Botella con concentrado no incluida.
- L - Válvula de combustible** — Permite abrir y cerrar la alimentación de combustible al motor.

- M - Varilla del estrangulador** — Usada para arranque de motores fríos.
  - N - Conmutador de parada** — Coloca el motor en modo de arranque para el arrancador de retroceso y detiene el motor en funcionamiento.
  - P - Manguera de inyección Project Pro® Perfect Mix™** — Mezcla el concentrado con el rociado de la limpiadora a presión.
  - Q - Etiqueta de advertencia e instrucciones** — Identifica los riesgos e indica el procedimiento adecuado de puesta en marcha o de parada de la limpiadora a presión.
  - R - Arrancador de retroceso** — Usado para arrancar el motor manualmente.
  - S - Tanque del combustible** — Llene el tanque con gasolina regular sin contenido de plomo en este punto. Siempre habitación de hoja para la expansión del combustible.
  - T - Manguera de Alta Presión** — Conecte un extremo a la pistola de rociado y el otro extremo a la toma de alta presión.
  - U - Extensión de la boquilla con conector rápido** — Le permite usar cuatro puntas de rociado diferentes.
- No mostrado:**  
**Tapa del depósito del aceite** — Llene el motor con aceite aquí.  
**Etiqueta de identificación** — Proporciona el modelo y el número de serie de limpiadora a presión. Tenga por favor estos prontamente disponible cuándo llamar para la ayuda.

# MONTAJE

Su limpiadora a presión requiere de cierto ensamble y estará lista para ser usado únicamente después de haber depositado el combustible y el aceite recomendado.

**Si tiene problemas con el ensamble de su máquina limpiadora a presión, llame a la línea de ayuda de la máquina limpiadora a presión al 1-800-222-3136.**

## Desembale la limpiadora a presión

1. Saque todo el contenido de la caja de cartón, a excepción de la limpiadora a presión.
2. Abra completamente la caja de cartón cortando cada una de sus esquinas de arriba abajo.
3. Saque la limpiadora a presión de la caja de cartón.

## Contenido de la caja

Revise el contenido de la caja. Si alguna de las partes no está presente o está dañada, llame a la línea de ayuda de la máquina limpiadora a presión al 1-800-222-3136.

- La unidad principal
- Manubrio
- Bandeja de accesorios con abrazadera para manguera
- La manguera de alta presión
- Pistola de rociado
- Extensión de la boquilla con conector rápido
- Puch de aceite para motor
- Soporte para botella
- Manguera de sifón del detergente de ProjectPro® Perfect Mix™
- Bolsa de partes (incluye los elementos descritos a continuación)
  - Manual del operador
  - Tarjeta de la matrícula
  - Correas de goma (2)
  - Bolsa con 4 boquilla de conexiones rápidas multicolores
  - Piezas para la manubrio (incluye lo siguiente):
    - Pernos para manubrio (2)
    - Pernos de cabeza redonda (1)
    - Perilla plástica para manubrio (2)
    - Perilla Plástica (1)
    - Pinzas de árbol (4)

Familiarícese con cada parte antes de ensamblar la máquina limpiadora a presión. Compare el contenido con la ilustración de la página 38. Si alguna de la partes no está presente o se encuentra dañada, llame a la línea de ayuda de la máquina limpiadora a presión al 1-800-222-3136.

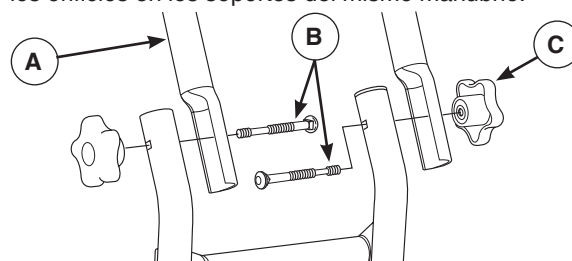
## MONTAJE DEL LIMPIADORA A PRESIÓN

Usted deberá llevar a cabo los siguientes procedimientos antes de poner en funcionamiento su limpiadora a presión:

1. Llene y mande en tarjeta de matrícula.
2. Conecte manubrio y bandeja de accesorios.
3. Conecte la manguera de sifón del detergente a la bomba.
4. Añada aceite al motor.
5. Añada gasolina al tanque de combustible.
6. Conecte manguera a alta presión a pistola rociadora y a bomba.
7. Conecte el suministro de agua a bomba.
8. Conecte boquilla la extensión al pistola rociadora.
9. Selecto/conecta rápido conecta punta de rociado a la extensión de la boquilla.

## Conecte el Manubrio y Bandeja de Accesorios

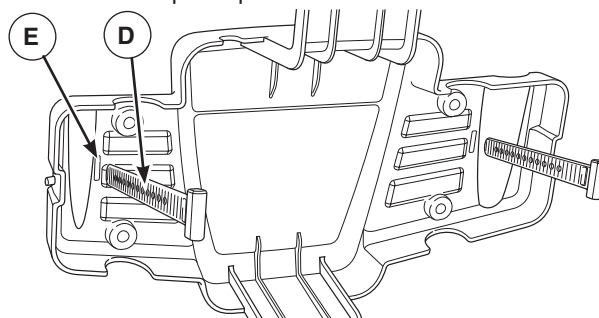
1. Coloque el manubrio (A) sobre los soportes del mismo que ya están adheridos a la unidad principal. Asegúrese de que los orificios en el manubrio estén alineados con los orificios en los soportes del mismo manubrio.



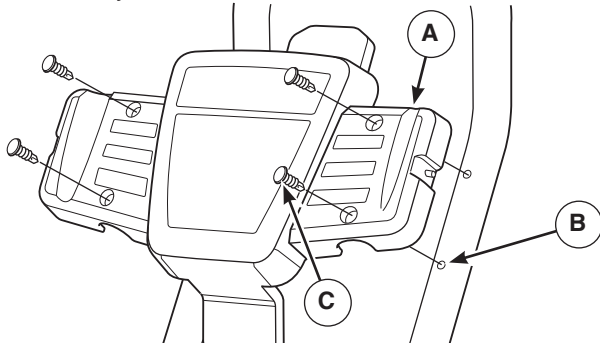
2. Inserte los pernos de cabeza redonda (B) del asa en los orificios desde el interior de la unidad y coloque un pomo de plástico (C) desde la parte exterior. Apriete a mano.

**AVISO** Si se aflojan los dos pomos de la parte intermedia del perno de sujeción, el asa superior se puede plegar sobre el motor cuando está frío. **NO** pliegue el asa si el motor está caliente.

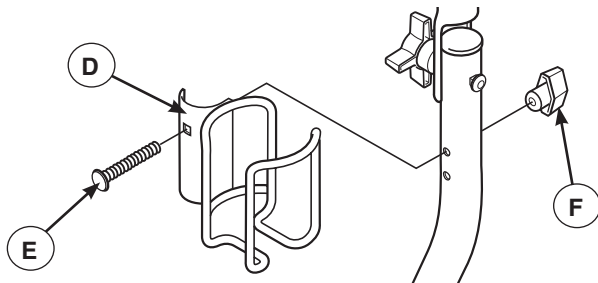
3. Inserte las correas de goma (D) a través de las ranuras (E) en la parte trasera de la bandeja de accesorios y tire firmemente por la parte frontal.



- Coloque la bandeja de accesorios (A) sobre los orificios (B) del manubrio (vista desde la parte detrás de la unidad). Presione las pinzas de árbol (C) para introducir las en los orificios hasta que queden a nivel con la bandeja de accesorios.



- Inserte los accesorios suministrados en los espacios correspondientes en la bandeja de accesorios. Consulte *Cómo Usar la Bandeja de Accesorios*.
- Fije los soportes para botellas (D) al asa con pernos de cabeza redonda (E) y pomos de plástico negro (F). Apriete a mano.

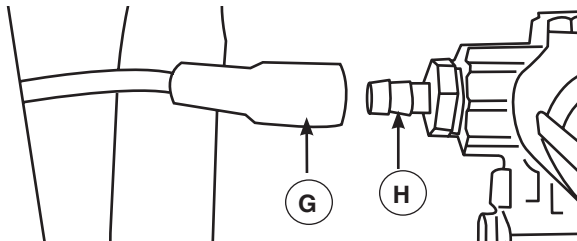


## Project Pro® Perfect Mix™ Jabón sistema

La limpiadora a presión está equipada con una manguera de inyección de detergente.

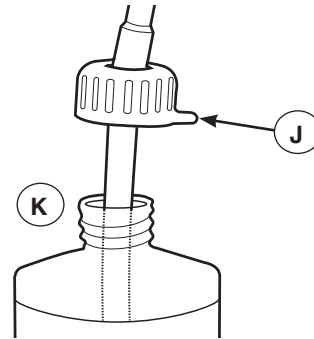
### Conecte el sistema de inyección Project Pro® Perfect Mix a la bomba

Conecte el extremo de la manguera del sistema de inyección Project Pro® Perfect Mix (G) al acoplamiento dentado de la manguera (H) de la bomba.



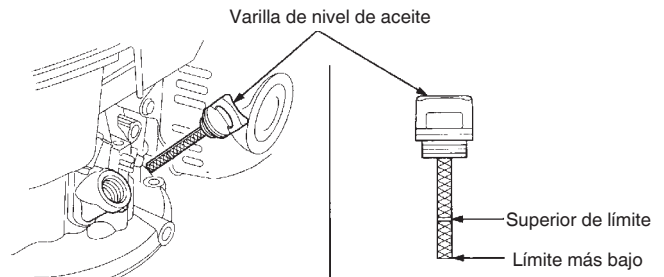
### Conecte el sistema de inyección de detergente Perfect Mix™ a la botella de concentrado

Coloque la botella de Project Pro® Perfect Mix™ (no incluida) en el soporte de alambre del asa. Quite el tapón de la botella e inserte el sistema de inyección Project Pro® Perfect Mix™ (J). Enrosque la unidad de inyección a la parte superior de la botella (K). Utilice el clip del tapón (J) para encajar el sistema de inyección en el soporte de alambre cuando no esté en una botella de concentrado.



### Agregue aceite de motor

- Coloque la limpiadora a presión en una superficie plana y nivelada.
- Limpie la zona de alrededor del orificio de llenado de aceite y quite el tapón.
- Con un embudo para aceite (opcional), vierta lentamente el contenido del aceite suministrado por el orificio de llenado, verificando con frecuencia el nivel de aceite. **NO AÑADA ACEITE EN EXCESO.**



**AVISO** El tratamiento inadecuado del limpiadora a presión puede dañarlo y acortar su vida productiva.

- NO procure acodar ni empezar el motor antes ha sido atendido a apropiadamente con el aceite recomendado. Esto podría provocar una avería en el motor.
- Vuelva a colocar el tapón y apriételo firmemente.

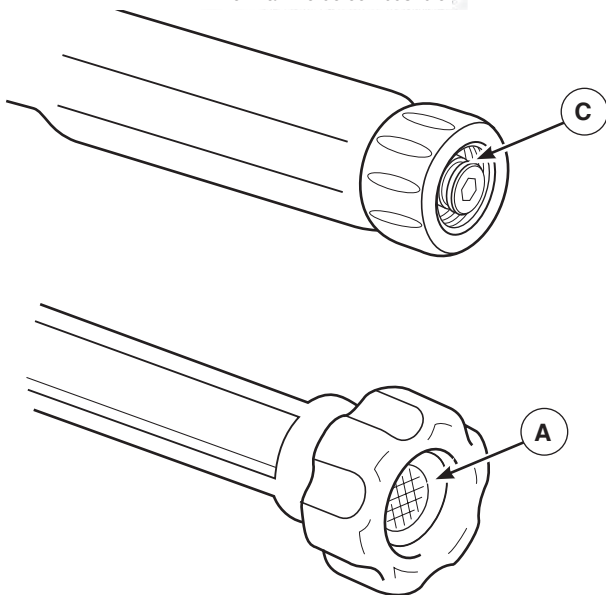
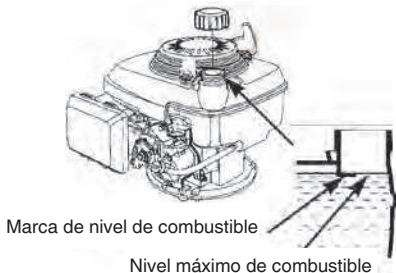
## Agregue gasolina

**⚠ ADVERTENCIA** El combustible y sus vapores son extremadamente inflamables y explosivos, lo que podría provocar quemaduras, incendios o explosiones; así como lesiones graves o incluso la muerte.

### CUANDO ANADA COMBUSTIBLE EL DEPÓSITO

- DETENGA el motor del limpiadora a presión y déjelo enfriar durante al menos 2 minutos antes de quitar el tapón de combustible. Afloje la tapa lentamente para dejar que la presión salga del tanque.
- Llene el depósito de combustible a la intemperie.
- NO llene demasiado el tanque. Permita al menos espacio para la expansión del combustible.
- Si se ha derramado combustible, espere a que se evapore antes de arrancar el motor.
- Mantenga la gasolina alejada de chispas, llamas abiertas, pilotos, calor y otras fuentes de ignición.
- Compruebe frecuentemente que las líneas de combustible, el tanque, el tapón y los accesorios no estén rotos o tengan fugas. Cámbielos si es necesario.
- NO encienda un cigarrillo o fume.

1. Utilice gasolina normal sin plomo, limpia y nueva con un mínimo de 86 octanos. NO mezcle aceite con combustible.
2. Limpie el área alrededor de la tapa de llenado del combustible, retire la tapa.
3. Añada lentamente gasolina normal sin plomo hasta la parte inferior de la marca de límite de nivel de la boca del depósito de combustible. No añada combustible en exceso.



4. Instale la tapa del tanque de combustible y limpie la gasolina que se haya derramado.

**¡PRECAUCIÓN!** Los combustibles con mezcla de alcohol (gasohol, etanol o metanol) pueden atraer la humedad y provocar la separación y formación de ácidos durante el almacenamiento. Los gases ácidos pueden dañar el circuito de combustible y el motor durante el almacenamiento.

Para evitar este tipo de problemas, vacíe el circuito de combustible cuando vaya a almacenar la unidad durante 30 días o más. Vacíe el depósito de combustible, arranque el motor y déjelo funcionar hasta que los conductos de combustible y el carburador queden vacíos. Utilice combustible nuevo la próxima temporada. Para obtener más información al respecto, consulte *Almacenamiento*.

NUNCA utilice productos limpiadores para motores o carburadores en el depósito de combustible, ya que podrían provocar daños permanentes.

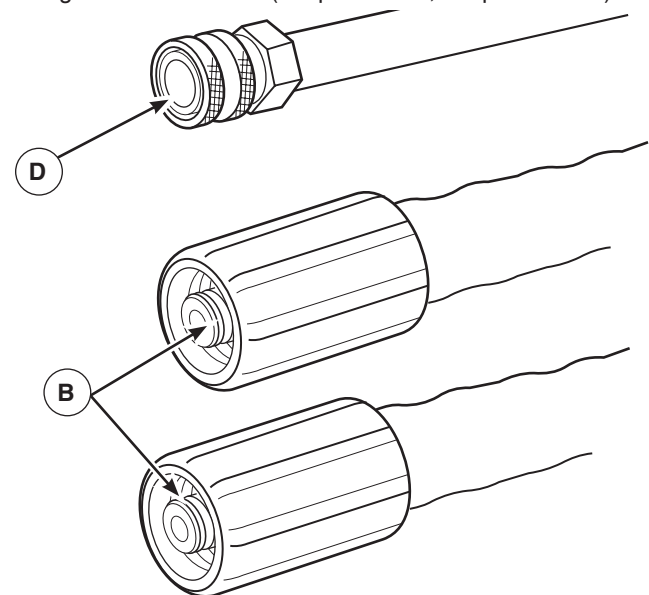
## Lubrique las juntas tóricas

La lubricación de las juntas tóricas es extremadamente importante para la instalación y operación. El uso de un lubricante (petróleo o grasa sintética) durante el montaje es de utilidad para que las juntas tóricas se asienten adecuadamente y el sellado quede mejor. También ayuda a proteger la junta tórica contra daños por abrasión, pinchazos o cortes, y extiende su duración.

**AVISO** SIEMPRE aplique una pequeña cantidad de lubricante en las juntas tóricas antes de montar la manguera de jardín a la bomba (A), manguera a alta presión (B), la pistola rociadora (C), y el prolongador de la boquilla (D).

### Lubrique todas las conexiones se muestra a continuación, siguiendo estas instrucciones:

1. Revise y limpie las superficies de conexión antes de la lubricación y el montaje.
2. Utilice los lubricantes con moderación durante el montaje; sólo se requiere una capa ligera.
3. Cuando no tenga acceso a las juntas tóricas, utilice un cepillo pequeño o torunda de algodón para aplicarles la grasa directamente (adaptador QC, adaptador M22).



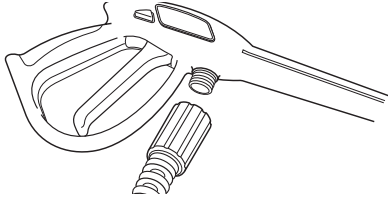
## Conecte la manguera y el suministro de agua a la bomba

**AVISO** NO haga funcionar la bomba si no tiene el suministro conectado y abierto.

- El daño a la limpiadora a presión, resultado de la desatención a esta precaución, no será cubierto por la garantía.

**AVISO** Antes de conectar las mangueras, retire y deseche los tapones de transporte de la salida de alta presión y de la entrada de agua de la bomba.

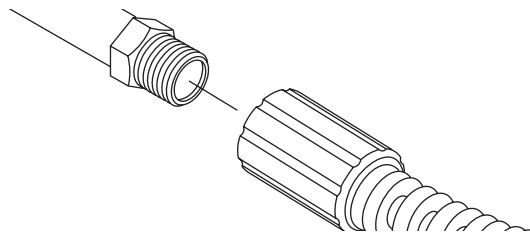
1. Retroceda la manguera a alta presión y conecte a la base de la pistola rociadora. Apriete con la mano.



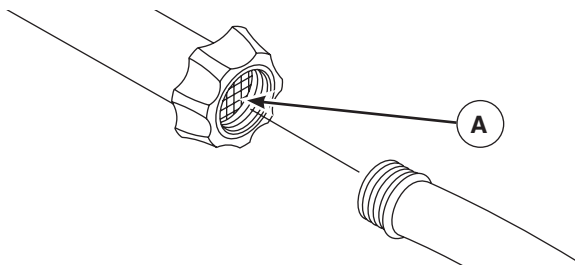
**⚠ ADVERTENCIA** El chorro de agua a alta presión que este equipo produce podría atravesar la piel y los tejidos subcutáneos, que podrían provocar lesiones graves y la posible amputación de un miembro.

- NUNCA conecte la manguera de alta presión al prolongador de la boquilla.
- Mantenga conectada la manguera a la máquina o a la pistola de rociado cuando el sistema esté presurizado.
- Asegúrese en todo momento de conectar correctamente la pistola rociadora, las boquillas y los accesorios.

2. Conecte el otro extremo de la manguera a alta presión, a la salida de alta presión de la bomba. Apriete con la mano.



3. Antes de que conecte la manguera de jardín a la entrada de agua, inspeccione el colador de la entrada (A). Limpie el colador si tiene residuos o solicite su remplazo si está dañado. **NO haga funcionar la limpiadora a presión si el filtro de entrada falta o está dañado.**



4. Haga correr el agua a través de la manguera de su jardín por 30 segundos para limpiar cualquier escombros que se encuentre en ella. Desconecte el agua.

**AVISO** Hace NO agua de parar de siphon para el abastecimiento de agua. Use agua SOLO fría (menos que 38°C).

**AVISO** El uso de una válvula unidireccional (igualador de presión o válvula de retención) en la entrada de la bomba podría producir daños en la bomba o en el conector de entrada.

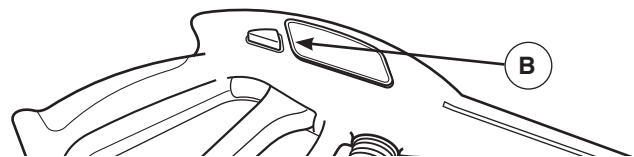
- DEBE haber un mínimo de 3 metros (10 pies) de manguera de riego libre entre la entrada de la limpiadora a presión y cualquier dispositivo, como un igualador de presión o una válvula de retención).
  - El daño a la limpiadora a presión, resultado de la desatención a esta precaución, no será cubierto por la garantía.
5. Conecte la manguera de jardín (no exceder 50 pies en la longitud) a la entrada del agua. Apriete con la mano.

**⚠ ADVERTENCIA** Riesgo de lesiones oculares.

**⚠** El agua rociada podría salpicar o propulsar objetos, lo que puede provocar lesiones graves.

- Cuando utilice este equipo o esté cerca de él, siempre use gafas de seguridad con ventilación indirecta (contra salpicaduras de productos químicos) marcadas para cumplir con ANSI Z87.1.
- NUNCA se ponga gafas de seguridad ni gafas para entornos secos como sustituto de las gafas de seguridad con ventilación indirecta.

6. ABRA el agua, apunte con la pistola hacia una dirección segura presione el seguro (botón rojo) (B) y apriete el gatillo para eliminar el aire y las impurezas del sistema de bombeo.



## Lista de revision previa al arranque del motor

Revise la unidad para asegurarse que ha llevado a cabo los siguientes procedimientos:

1. Asegúrese de leer las secciones *Reglas de Seguridad* y *Operación* antes de usar el limpiadora a presión.
2. Revise que los sujetadores del carrete de la manguera estén apretados.
3. Revise que haya sido depositado aceite y esté al nivel correcto en la caja del cigüeñal del motor.
4. Deposite la gasolina adecuada en el tanque del combustible.
5. Revise que todas las conexiones de las mangueras (alta presión y suministro de agua) estén apretadas correctamente y que no existan dobleces, cortes o daño de la manguera de alta presión.
6. Proporcione el suministro de agua adecuado (que no exceda los 38°C).

# OPERACION


## COMO USAR SU LIMPIADORA A PRESIÓN

Si tiene problemas con el funcionamiento de su máquina limpiadora a presión, por favor llame a la línea de ayuda de la máquina limpiadora a presión al **1-800-222-3136**.

### Ubicación del limpiadora a presión

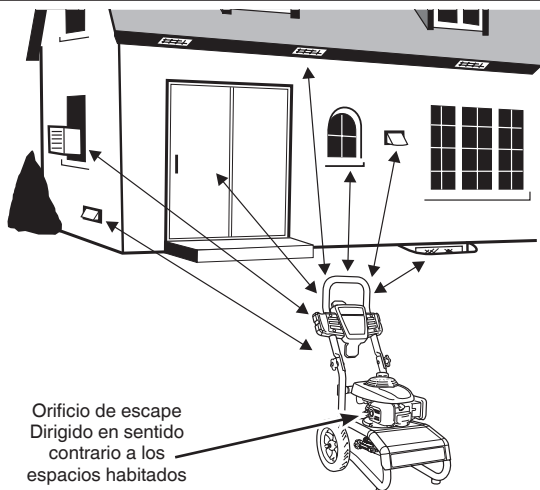
#### Envenenamiento con monóxido de carbono

##### **ADVERTENCIA PELIGRO DE GAS VENENOSO.**


 Los gases del escape del motor contienen monóxido de carbono, un gas venenoso que podría matarlo en minutos. **NO** tiene olor, color ni sabor. Aun si no puede oler los vapores del escape, podría estar expuesto al gas de monóxido de carbono.

- Utilice este producto ÚNICAMENTE a la intemperie, lejos de ventanas, puertas y ventilaciones para reducir el riesgo de que el gas de monóxido de carbono se acumule y entre en los espacios habitados.
- Instale alarmas para detectar monóxido de carbono operadas con baterías o enchufables con baterías de repuesto de acuerdo con las instrucciones del fabricante. Las alarmas de humo no pueden detectar el gas de monóxido de carbono.
- **NO** utilice este producto dentro de casas, garajes, sótanos, entresuelos, cobertizos o en otros espacios parcialmente cerrados, aún si utiliza ventiladores o deja las puertas y ventanas abiertas para favorecer la ventilación. El monóxido de carbono puede acumularse rápidamente en estos espacios y perdurar ahí durante horas, aun después de que este producto se haya apagado.
- **SIEMPRE** coloque este producto en dirección del viento y dirija el escape del motor en sentido contrario a los espacios habitados.

Si comienza a sentirse mal, mareado o débil cuando use este producto, busque aire puro **DE INMEDIATO**. Acuda a un médico. Es posible que se haya envenenado con monóxido de carbono.



#### Espacio sin riesgo de incendios

 **ADVERTENCIA** Los gases y el calor de escape podrían inflamar los materiales combustibles y las estructuras o dañar el depósito de combustible y provocar incendios, así como lesiones graves o incluso la muerte.

- Deje un espacio mínimo de 1.5 m (5 pies) alrededor del limpiadora a presión, incluida la parte superior.

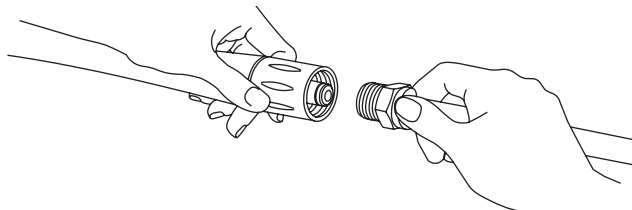
### Para poner en marcha el limpiadora a presión

Para darle arranque a su limpiadora a presión movido a motor por primera vez, siga estas instrucciones paso a paso. Esta información acerca de la puesta en marcha inicial también es válida para cuando vaya a darle arranque al motor después de haberlo dejado la máquina limpiadora a presión fuera de funcionamiento por lo menos un día.

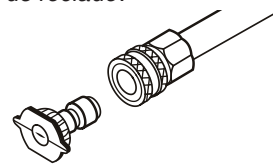
1. Coloque la máquina limpiadora a presión en un área cercana a una suministro de agua exterior capaz de abastecer agua a un volumen mayor de 3.3 galones por minuto en no menos que 20 PSI en el fin de arandela de presión de la manga del jardín.
2. Revise que la manguera de alta presión se encuentre conectada firmemente a la pistola de rociado y a la bomba. *Vea Montaje.*
3. Asegúrese que la unidad esté nivelada.
4. Conecte la manguera de jardín a la entrada del agua. Apriétela con la mano.

**AVISO** **NO** haga funcionar la bomba si no tiene el suministro conectado y abierto.

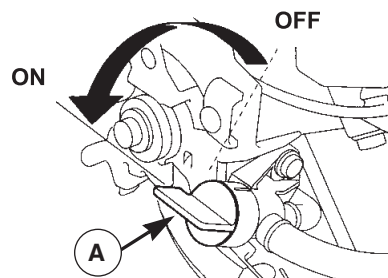
- El daño a la limpiadora a presión, resultado de la desatención a esta precaución, no será cubierto por la garantía.
5. Abra el agua, apunte con la pistola hacia una dirección segura presione el seguro (botón rojo) y apriete el gatillo para eliminar el aire y las impurezas del sistema de bombeo.
  6. Conecte la extensión de la boquilla a la pistola rociadora. Apriétela con las manos.



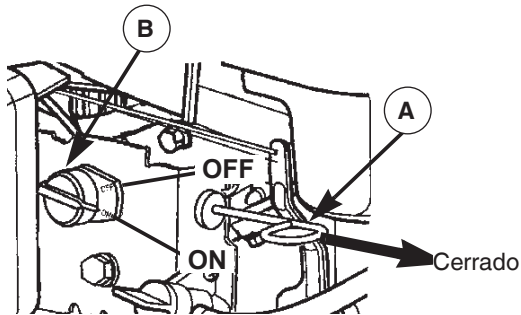
7. Elija la punta de rociado que desee usar, tire hacia atrás del anillo del prolongador de la boquilla, inserte la punta de rociado y suelte el anillo. Tire de la punta de rociado para comprobar que está bien montada. Consulte *Cómo usar de puntas de rociado.*



8. Gire la válvula del combustible (A) a la posición "On".



9. Tire de la varilla del estrangulador (A) hasta la posición "Cerrado" ("Closed").



**AVISO** En el caso de que el motor esté caliente, asegúrese de que la varilla del estrangulador se encuentre en la posición "Abierto" ("Open").

10. Sitúe el conmutador de parada del motor (B) en la posición "On".

**AVISO** Antes de arrancar la limpiadora a presión, asegúrese de ponerse gafas de seguridad como se describe a continuación.

**⚠ ADVERTENCIA** Riesgo de lesiones oculares.



El agua rociada podría salpicar o propulsar objetos, lo que puede provocar lesiones graves.

- Cuando utilice este equipo o esté cerca de él, siempre use gafas de seguridad con ventilación indirecta (contra salpicaduras de productos químicos) marcadas para cumplir con ANSI Z87.1.
- NUNCA se ponga gafas de seguridad ni gafas para entornos secos como sustituto de las gafas de seguridad con ventilación indirecta.

11. Cuando arranque el motor, colóquese en la posición que se recomienda a continuación. Sujete la manija y hale ligeramente la manija del arranque hasta que sienta cierta resistencia. Después hálela rápidamente.



**⚠ ADVERTENCIA** El retroceso (repliegue rápido) del cable del arrancador impedirá que el usuario suelte el cable a tiempo y tirará de su mano y brazo hacia el motor, lo que podría provocar fracturas, contusiones o esguinces; así como lesiones graves.

- NUNCA tire del cable del arrancador sin eliminar previamente la presión de la pistola rociadora.
- Cuando arranque el motor, tire lentamente del cable hasta sentir una resistencia y, a continuación, tire rápidamente de él para evitar su retroceso.
- Después de cada intento de arranque, cuando el motor no consiga arrancar, apunte con la pistola rociadora hacia una dirección segura, pulse el botón rojo y apriete el gatillo para descargar la presión.
- Sujete firmemente la pistola rociadora con ambas manos cuando aplique un rociado a alta presión para evitar lesiones cuando se produzca el retroceso de la pistola.

12. Jale la cuerda de arranque lentamente. NO permita que la cuerda regrese bruscamente en contra del arrancador.

13. Cuando el motor arranque, mueva lentamente la varilla del estrangulador hasta la posición "Abierto" ("Open") a medida que el motor se calienta. Si el motor falla, mueva la varilla del estrangulador a la posición "Cerrado" ("Closed") y, después, a la posición "Abierto" ("Open").

**⚠ ADVERTENCIA** El chorro de agua a alta presión que este equipo produce podría atravesar la piel y los tejidos subcutáneos, que podrían provocar lesiones graves y la posible amputación de un miembro.

La pistola rociadora retiene agua a alta presión incluso con el motor parado y el agua desconectada; esto podría provocar lesiones graves.

- NO permita en ningún momento que NIÑOS operen la máquina limpiadora a presión.
- Mantenga conectada la manguera a la máquina o a la pistola de rociado cuando el sistema esté presurizado.
- NUNCA apunte la pistola a la gente, animales o plantas.
- NO fije la pistola rociadora en la posición abierta.
- NO abandone la pistola rociadora cuando la máquina esté en funcionamiento.
- NUNCA utilice una pistola rociadora cuyo seguro o protección para el gatillo no esté en perfecto estado de funcionamiento.
- Asegúrese en todo momento de conectar correctamente la pistola rociadora, las boquillas y los accesorios.

**⚠ ADVERTENCIA** Los gases y el calor de escape podrían inflamar los materiales combustibles y las estructuras o dañar el depósito de combustible y provocar incendios, así como lesiones graves o incluso la muerte.



El contacto con la zona del silenciador podría producir quemaduras y lesiones graves.

- NO toque las superficies calientes y evite los gases del escape a alta temperatura.
- Permita que el equipo se enfríe antes de tocarlo.
- Deje un espacio mínimo de 1.5 m (5 pies) alrededor del limpiadora a presión, incluida la parte superior.
- Utilizar el motor en un terreno boscoso, con maleza o cubierto de hierba constituye una infracción al Código de recursos públicos de California, a menos que el sistema de escape esté equipado con una pantalla apagachispas, de acuerdo a la definición de la Sección 4442, que se mantenga en buenas condiciones de funcionamiento. En otros estados o jurisdicciones federales puede haber leyes similares en vigor. Póngase en contacto con el fabricante, el vendedor o el distribuidor del equipo original para obtener una pantalla apagachispas diseñada para el sistema de escape instalado en este motor.
- Las piezas de recambio deben ser las mismas que las piezas originales y estar instaladas en la misma posición.

### Cómo detener su limpiadora a presión

1. Suelte el gatillo de la pistola rociadora y deje funcionar el motor al ralentí durante dos minutos.
2. Sitúe el conmutador de parada del motor en la posición "Off".
3. SIEMPRE fusil de punto en una dirección segura, presione el seguro (botón rojo) y el disparador del fusil del rocío del estrujón para liberar la presión retenida de la pleamar.

**⚠ ADVERTENCIA** El chorro de agua a alta presión que este equipo produce podría atravesar la piel y los tejidos subcutáneos, que podrían provocar lesiones graves y la posible amputación de un miembro.



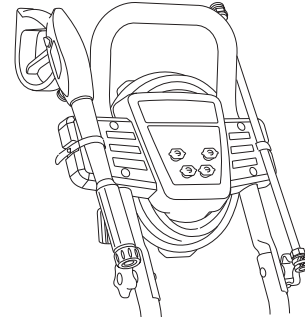
La pistola rociadora retiene agua a alta presión incluso con el motor parado y el agua desconectada; esto podría provocar lesiones graves.

- Mantenga conectada la manguera a la máquina o a la pistola de rociado cuando el sistema esté presurizado.
- SIEMPRE que pare el motor, apunte con la pistola rociadora hacia una dirección segura, pulse el botón rojo y apriete el gatillo para descargar la presión.

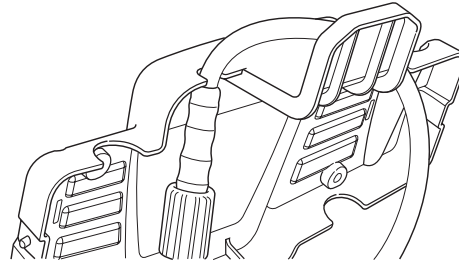
### Cómo usar la bandeja de accesorios

La unidad está equipada con una bandeja de accesorios con habitáculos para guardar la pistola rociadora, la manguera de alta presión, el prolongador de la boquilla y las puntas de rocío.

1. Pase la pistola rociadora por la ranura de la bandeja de accesorios según se muestra. Tire de la correa de goma firmemente alrededor de la pistola rociadora y coloque el orificio de la correa sobre la lengüeta en la bandeja de accesorios.



2. Pase el prolongador de la boquilla por la ranura de la bandeja de accesorios según se muestra. Tire de la correa de goma firmemente alrededor del prolongador de la boquilla y coloque el orificio de la correa sobre la lengüeta en la bandeja de accesorios.
3. Inserte las puntas de rociado de colores en los orificios al frente de la bandeja de accesorios.
4. Coloque un extremo de la manguera de alta presión en la ranura en la parte superior de la bandeja de accesorios y enrolle la manguera de alta presión alrededor de los ganchos, como se muestra.



### Cómo usar las puntas de rocío

La conexión rápida de la extensión para boquillas le permite usar cuatro puntas de rocío diferentes. Siempre que esté activado el seguro del gatillo de la pistola rociadora, se pueden cambiar las puntas de rociado con la limpiadora a presión en funcionamiento. Las puntas de rocío tienen diferentes patrones de rociado como se ilustra a continuación.

#### Para cambiar las puntas de rocío:

1. Desplace hacia atrás el anillo del conector rápido y tire de las puntas de rocío. Guarde las puntas de rocío en el soporte de la bandeja de accesorios.

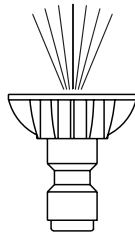
**⚠ ADVERTENCIA** El chorro de agua a alta presión que este equipo produce podría atravesar la piel y los tejidos subcutáneos, que podrían provocar lesiones graves y la posible amputación de un miembro.



- NUNCA cambie los puntas de rocío sin activar el seguro del gatillo de la pistola rociadora.
- NO tuerza puntas de rocío al rociar.

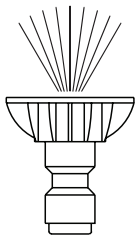
2. Seleccione la punta de rociado deseada:

### La Presión Baja

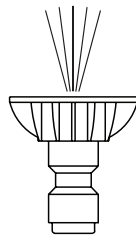


Negra  
Usada para aplicar  
detergentes

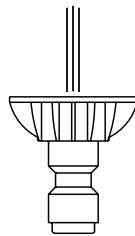
### La Presión Alta



40° Blanca  
2400 PSI  
2.3 GPM



15° Amarilla  
2600 PSI  
2.2 GPM



0° Roja  
2800 PSI  
2.1 GPM

- Para un enjuagado suave, para una limpieza suave de coches/camiones, barcos, RVs, muebles de jardín, cortacéspedes, etc., seleccione la punta de rociado blanca de 40°.
  - Para un enjuagado general, idóneo para la mayoría de las limpiezas, como revestimientos exteriores, patios de ladrillo, suelos de madera, entradas, aceras, suelos de garaje, etc., seleccione la punta de rociado amarilla de 15°.
  - Para un enjuagado de máxima potencia, para superficies rebeldes o de difícil acceso, como superficies de plantas altas, eliminación de pintura, manchas de aceite, eliminación de óxido u otras sustancias difíciles (alquitrán, resina, grasa, cera, etc.), seleccione la punta de rociado roja de 0°.
  - Para aplicar productos detergentes o limpiadores específicos que ayuden a descomponer la suciedad rebelde en distintas superficies, seleccione la punta de rociado de detergente negra.
3. Desplace hacia atrás el anillo, inserte la nueva punta de rociado y suelte el anillo. Tire de la punta de rociado para comprobar que está bien montada.

#### Uso inclina

- Para una limpieza más efectiva, mantenga la boquilla de rociado de 20 a 61 cm (8 a 24 pulgadas) de la superficie de limpieza.
- Si coloca la boquilla de rociado demasiado cerca podría dañar la superficie, especialmente cuando esté usando el modo de alta presión.
- NO coloque la boquilla a menos de 15 cm (6 pulgadas) cuando esté limpiando llantas.

## Limpieza y aplicación del detergente

**⚠ ADVERTENCIA** Peligro de quemadura química.



Las sustancias químicas podrían provocar quemaduras, así como lesiones graves o incluso la muerte.

- NO use líquido cáustico con la limpiadora a presión.
- Use EXCLUSIVAMENTE detergentes o jabones especiales para la limpiadora a presión. Siga todas las instrucciones del fabricante.

#### Para aplicar el detergente, siga los siguientes pasos:

Siga estos pasos para aplicar detergente sin diluir con el sistema de inyección azul Perfect Mix™:

1. Revise el uso de las puntas de rocío.
2. Conecte la manguera de inyección Perfect Mix™ a la bomba y a la botella de concentrado Perfect Mix™.

**AVISO** Use el juego de manguera de inyección de detergente estándar y filtro, disponible en Sears con número de producto 75180, para aplicar detergentes comunes. El juego de manguera de inyección de detergente y filtro está disponible como un accesorio opcional, no está incluido en la limpiadora a presión.

**AVISO** El contacto con el silenciador a alta temperatura podría producir daños en el tubo de inyección de detergente.

- Cuando coloque el filtro en la botella del detergente, coloque el tubo de manera que no entre en contacto accidentalmente con el silenciador caliente.

3. Asegúrese de que la puntas de rocío negra esté instalada en la extensión para boquillas.

**AVISO** NO se puede aplicar detergente con las puntas de rocío de alta presión (Blanca, Amarilla o Roja).

4. Asegúrese de que la manguera del jardín está conectada a la entrada de agua. Compruebe que la manguera de alta presión está conectada a la pistola rociadora y a la bomba. Abra la alimentación de agua.

**AVISO** Usted deberá conectar todas las mangueras antes de darle arranque al motor.

- Si pone en marcha el motor sin haber conectado previamente todas las mangueras y sin haber ABIERTO el grifo, la bomba podría averiarse.
- El daño a la limpiadora a presión, resultado de la desatención a esta precaución, no será cubierto por la garantía.

5. Marche el motor siguiendo las instrucciones de la sección *Cómo poner en funcionamiento la limpiadora a presión*.

6. Aplique el detergente sobre la superficie seca, comenzando en la parte inferior del área y dirigiéndose hacia arriba, utilizando movimientos largos, parejos y superpuestos.

7. Permita que el detergente "penetre" de 3 a 5 minutos antes de enjuagar. Vuelva a aplicarlo cuando sea necesario para evitar que la superficie se seque. NO permita que el detergente se seque. Si permite que el detergente se seque, la superficie podría quedar con manchas.

## Enjuague de la máquina limpiadora a presión

**Después de haber aplicado el detergente, refriegue la superficie y enjuágela de la siguiente manera:**

1. Retire la punta de rocío negra para detergente de la extensión para boquillas o retire la cepillos de la pistola rociadora.
2. Seleccione e instale la puntas de rocío de alta presión que desee siguiendo las instrucciones de *Cómo Usar las Puntas de Rocío*.
3. Mantenga la pistola de rociado a una distancia segura del área que planea rociar.



**ADVERTENCIA** El retroceso de la pistola rociadora podría provocar caídas con lesiones graves o la muerte.

- Utilice la limpiadora a presión desde una superficie estable.
  - Extreme las precauciones si necesita utilizar la limpiadora a presión desde una escalera, un andamio u otro lugar similar.
  - Sujete firmemente la pistola rociadora con ambas manos cuando aplique un rociado a alta presión para evitar lesiones cuando se produzca el retroceso de la pistola.
4. Aplique un rociado de alta presión en un área pequeña, después revise si la superficie presenta daños. Si no encuentra daños, puede continuar con el trabajo de limpieza.
  5. Comience en la parte superior del área que va a enjuagar, dirigiéndose hacia abajo con los mismos movimientos superpuestos que utilizó para el limpieza.

## Sistema de enfriamiento automático (alivio térmico)

El agua que circula dentro de la bomba puede alcanzar temperaturas entre los 125°-155°F si hace funcionar el motor de su máquina limpiadora a presión de 3 a 5 minutos sin oprimir el gatillo de la pistola de rociado. El sistema de enfriamiento automático se activa a esta temperatura y enfría la bomba descargando agua caliente en el piso, evitando así el daño interno de la bomba.

# ESPECIFICACIONES

## ESPECIFICACIONES DEL PRODUCTO

### Especificaciones de la máquina limpiadora a presión

Presión de salida máxima . . . . . 2800 PSI\*  
Caudal máximo . . . . . 2.3 GPM  
Mezcla de químicos . . . . . Use según instrucciones  
Temperatura del suministro de agua . . . . . Que no exceda los 38°C

### Especificaciones del motor

Diámetro de camisa . . . . . 64 mm (2,5 pulgadas)  
Carrera . . . . . 50 mm (2,0 pulgadas)  
Desplazamiento . . . . . 161 cc (9,8 pulgadas)  
Bujía  
    Tipo: . . . . . NGK BPR6ES  
    Calibrar Separación a: . . . . . 0,70-0,80 mm (0,028-0,031 pulgadas)  
Admisión . . . . . 0,15 ± 0,04 mm frío  
Escape . . . . . 0,20 ± 0,04 mm frío  
Capacidad de Gasolina . . . . . 1,1 l (0,29 galons)

\* Esta limpiadora a presión está clasificada conforme a la norma PW101-2010 (comprobación y clasificación de rendimiento de limpiadoras a presión) de la Asociación de fabricantes de bombas a presión (Pressure Washer Manufacturers Association, PWMA).



# MANTENIMIENTO

## RECOMENDACIONES GENERALES

### Plan de mantenimiento

Siga los intervalos de horas o de calendario, los que sucedan antes. Si opera en condiciones adversas (señaladas más abajo) es necesario un mantenimiento más frecuente.

<b>Primeras Cinco (5) Horas</b>
<ul style="list-style-type: none"><li>• Cambie el aceite del motor</li></ul>
<b>Cada 8 horas ó diario</b>
<ul style="list-style-type: none"><li>• Revise/limpie el filtro de la entrada de agua<sup>1</sup></li><li>• Revise la manguera de alta presión</li><li>• Revise la manguera del detergente</li><li>• Revise la pistola aspersora y verifique que no haya fugas en el ensamblaje</li><li>• Limpie los residuos</li><li>• Compruebe el nivel de aceite</li></ul>
<b>Cada 25 horas</b>
<ul style="list-style-type: none"><li>• Limpie el filtro de aire<sup>2</sup></li></ul>
<b>Cada 50 horas</b>
<ul style="list-style-type: none"><li>• Cambie el aceite del motor<sup>2</sup></li></ul>
<b>Cada 100 horas</b>
<ul style="list-style-type: none"><li>• Compruebe y ajuste la bujía</li><li>• Inspeccione el silenciador y la pantalla apagachispas</li><li>• Compruebe y ajuste el ralentí<sup>3</sup></li><li>• Compruebe y ajuste de holgura de las válvulas<sup>3</sup></li><li>• Limpie el depósito de combustible y el filtro<sup>3</sup></li></ul>
<b>Cada 250 horas</b>
<ul style="list-style-type: none"><li>• Limpie la cámara de combustión<sup>3</sup></li></ul>
<b>Cada 150 horas</b>
<ul style="list-style-type: none"><li>• Sustituya el filtro de aire</li><li>• Sustituya la bujía</li></ul>
<b>Cada 2 años</b>
<ul style="list-style-type: none"><li>• Compruebe el tubo de combustible<sup>3</sup> (sustituir si es necesario)</li></ul>

<sup>1</sup> Limpiar si está obstruido. Reemplazar si está perforado o roto.

<sup>2</sup> Servicio más a menudo bajo condiciones de suciedad o polvo.

<sup>3</sup> Para reparar estos elementos, acuda al servicio técnico de su distribuidor.

### Recomendaciones generales

El mantenimiento periódico mejorará el rendimiento y prolongará la vida útil del limpiadora a presión. Si necesita asistencia, consulte con un distribuidor de Sears o con otro distribuidor cualificado.

La garantía de la máquina limpiadora a presión NO cubre los elementos que han sido sujetos a abuso o negligencia por parte del operador. Para hacer válida la cobertura total de la garantía, el operador deberá mantener la lavadora de presión tal y como se indica en el manual, incluyendo su adecuado almacenamiento, como se describe en la sección *Almacenamiento en el Invierno y Almacenamiento prolongado*.

**AVISO** Una vez al año, usted deberá limpiar o reemplazar la bujía y el filtro de aire. Una bujía nueva y un filtro de aire limpio garantizan una mezcla de combustible-aire adecuada y le ayuda a su motor a funcionar mejor y a tener una vida útil más prolongada.

### Bomba de aceite

NO realice ninguna operación de mantenimiento con el aceite de la bomba. La bomba se suministra prelubricada y sellada en fábrica, y no requiere lubricación adicional durante su vida útil.

### Control de emisiones

**Cualquier establecimiento o individuo especializado en la reparación de motores que no sean de automoción puede encargarse del mantenimiento, la sustitución y la reparación de los dispositivos y sistemas de control de emisiones.** No obstante, para realizar la revisión gratuita de control de emisiones, deberá acudir a un distribuidor autorizado por el fabricante. Véase *Garantía de emisiones*.

### Antes de cada uso

1. Revise el nivel de aceite del motor.
2. Limpie los residuos.
3. Revise si existen daños en el colador de la entrada de agua.
4. Revise si existen daños en el manguera del detergente.
5. Revise si existen fugas en el conjunto de la extensión para boquillas y pistola.
6. Elimine el aire y los contaminantes de la bomba.

# MANTENIMIENTO DE LA MAQUINA LIMPIADORA A PRESIÓN

## Limpie los residuos

Limpie a diario, o antes de cada uso, los residuos acumulados en el limpiadora a presión. Mantenga limpias las conexiones, los muelles y los mandos. Limpie todo resto de combustible de la zona que rodea al silenciador y de detrás del mismo. Inspeccione las ranuras para aire de enfriamiento y la apertura del limpiadora a presión. Estas aperturas deberán mantenerse limpias y despejadas.

Mantenga limpios los componentes del limpiadora a presión para reducir el riesgo de sobrecalentamiento e ignición de los residuos acumulados.

- Utilice un trapo húmedo para limpiar las superficies exteriores.

**AVISO** El tratamiento inadecuado del limpiadora a presión puede dañarlo y acortar su vida productiva.


- NO inserte cualquier objeto a través de las ranuras de enfriamiento.
- Puede usar un cepillo de cerdas suaves para retirar la suciedad endurecida, aceite, etc.
- Puede usar una máquina aspiradora para eliminar suciedad y residuos sueltos.

## Revise y limpie el colador de entrada

Examine el colador de entrada de la manguera de jardín. Límpielo si está tapado o rémplacelo si está roto.

## Revise la manguera de alta presión

Las mangueras de alta presión pueden desarrollar fugas debido al desgaste, dobleces o abuso. Revise la manguera antes de cada uso. Revise si existen cortes, fugas, abrasiones, levantamiento de la cubierta, daño o movimiento de los acoplamientos. Si existe cualquiera de estas condiciones, rémplacela inmediatamente.

 **ADVERTENCIA** El chorro de agua a alta presión que este equipo produce podría atravesar la piel y los tejidos subcutáneos, que podrían provocar lesiones graves y la posible amputación de un miembro.

- NUNCA repare la manguera de alta presión. Rémplacela.
- La capacidad de la manguera DEBE ser igual o superar la presión nominal máxima de la unidad.


## Chequee el tubo de sifón del detergente

Examine el filtro en el tubo del detergente (si está equipado) y límpielo si se encuentra sucio. El tubo debería quedar apretado en la pieza. Examine el tubo para ver si existe cualquier tipo de goteo o está roto. Rémplacelo el tubo si alguno de ellos se encuentra dañado

## Bola de retención de inyección de detergente


En ocasiones, la bola de retención se atasca en el sistema de inyección de detergente cuando ha pasado almacenado o por acumulación de jabón seco o minerales en el agua. La bola de retención se puede desatascar mediante los siguientes pasos:

**AVISO** Antes de realizar este procedimiento, asegúrese de usar gafas de seguridad como se describe abajo.

 **ADVERTENCIA** Riesgo de lesiones oculares. El agua rociada podría salpicar o propulsar objetos, lo que puede provocar lesiones graves.

- Cuando utilice este equipo o esté cerca de él, siempre use gafas de seguridad con ventilación indirecta (contra salpicaduras de productos químicos) marcadas para cumplir con ANSI Z87.1.
- NUNCA se ponga gafas de seguridad ni gafas para entornos secos como sustituto de las gafas de seguridad con ventilación indirecta.

1. Apague el motor y apague el suministro de agua.
2. Apunte SIEMPRE con la pistola rociadora hacia una dirección segura, pulse el botón rojo y apriete el gatillo para descargar el agua a alta presión restante.

 **ADVERTENCIA** El chorro de agua a alta presión que este equipo produce podría atravesar la piel y los tejidos subcutáneos, que podrían provocar lesiones graves y la posible amputación de un miembro. La pistola rociadora retiene agua a alta presión incluso con el motor parado y el agua desconectada; esto podría provocar lesiones graves.

- Mantenga conectada la manguera a la máquina o a la pistola de rociado cuando el sistema esté presurizado.
- SIEMPRE que pare el motor, apunte con la pistola rociadora hacia una dirección segura, pulse el botón rojo y apriete el gatillo para descargar la presión.

3. Retire la manguera de inyección de detergente del acoplamiento dentado de la bomba.
4. Inserte suavemente un objeto sólido sin punta de 2,7 mm (7/64 pulg.) de diámetro o más pequeño, pero de por lo menos 2,54 cm (1 pulg.) de largo, como una llave Allen, en el acoplamiento dentado hasta encontrar resistencia. Esta resistencia es la bola de retención.
5. Empuje hacia abajo lentamente hasta sentir que la bola se mueve ligeramente, no empuje más de 3,1 cm (1/8 pulg.). Tal vez sea necesario ejercer un poco de presión para desatascar la bola.
6. Repita los pasos 4 y 5, si es necesario.
7. Vuelva a colocar la manguera de inyección de detergente en el acoplamiento dentado.
8. Dé tratamiento con PumpSaver como se describe en *Protección de la bomba* durante el almacenamiento para evitar que esto vuelva a ocurrir.

## Revise la pistola rociadora

Examine la conexión de la manguera con la pistola rociadora y asegúrese de que es correcta. Pruebe el gatillo apretando el botón rojo para asegurarse de que el gatillo vuelve a su posición original cuando se suelta. No debe ser posible apretar el gatillo sin apretar el botón rojo. Cambie inmediatamente la pistola rociadora si falla cualquiera de estas pruebas.

## Mantenimiento de las puntas de rocío

Si siente una sensación pulsante al momento de apretar el gatillo de la pistola rociadora, puede que sea causada por la presión excesiva en la bomba. La causa principal de la presión excesiva en la bomba es cuando la punta de rocío se encuentra atascada o tapada con materiales extraños, tales como tierra, etc. Para corregir el problema, limpie inmediatamente la punta de rocío siguiendo las instrucciones siguientes:

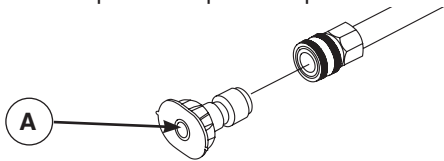
1. Apague el motor y el suministro de agua.
2. SIEMPRE apunte la pistola rociadora hacia una dirección segura, oprima el botón rojo y apriete el gatillo de la pistola rociadora para liberar la presión.

**⚠ ADVERTENCIA** El chorro de agua a alta presión que este equipo produce podría atravesar la piel y los tejidos subcutáneos, que podrían provocar lesiones graves y la posible amputación de un miembro.

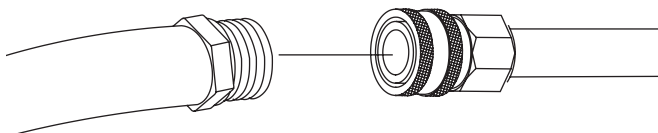
La pistola rociadora retiene agua a alta presión incluso con el motor parado y el agua desconectada; esto podría provocar lesiones graves.

- Mantenga conectada la manguera a la máquina o a la pistola de rociado cuando el sistema esté presurizado.
- SIEMPRE que pare el motor, apunte con la pistola rociadora hacia una dirección segura, pulse el botón rojo y apriete el gatillo para descargar la presión.

3. Remueva la punta de rocío del extremo de la extensión para boquillas.
4. Use un sujetapapeles pequeño para liberar cualquier material extraño que esté tapando la punta de rocío (A).



5. Retire la extensión para boquillas de la pistola.
6. Usando una manguera de jardín, remueva cualquier desecho adicional, poniendo agua en la extensión de la boquilla. Haga esto en un intervalo de 30 a 60 segundos.



7. Instale de nuevo la punta de rocío en la extensión.
8. Conecte de nuevo la extensión de la boquilla a la pistola rociadora.

9. Asegúrese de que la manguera de jardín está conectada a la entrada de agua. Compruebe que la manguera de alta presión está conectada a la pistola rociadora y a la bomba. Abra la entrada de agua.
10. Encienda el motor siguiendo las instrucciones de la sección *Cómo arrancar su limpiadora a presión*.
11. Pruebe la limpiadora a presión haciendo funcionar cada una de las puntas de rocío de conexión rápida que vienen con la limpiadora a presión.

## Mantenimiento de los anillos 'o'

Compre una O-Juego de Reparación de Anillo, número de catálogo 75116, en sus Sears locales o llamando **1-888-331-4569** o en línea en [www.sears.com](http://www.sears.com). No se incluye con la arandela de la presión. Este juego incluye los anillos del reemplazo O y de filtro de cala de agua. Refiérase a la hoja de la instrucción proporcionada en el juego para atender a su unidad/los anillos de s O.

**⚠ ADVERTENCIA** El chorro de agua a alta presión que este equipo produce podría atravesar la piel y los tejidos subcutáneos, que podrían provocar lesiones graves y la posible amputación de un miembro.

- NUNCA utilice ningún tipo de sellador para reparar una fuga en una conexión. Sustituya la junta tórica o la junta.

## MANTENIMIENTO DEL MOTOR

**⚠ ADVERTENCIA** Las chispas involuntarias podrían provocar incendios o electrocución que pueden provocar lesiones graves o la muerte.

### CUANDO AJUSTE O HAGA REPARACIONES A SU MÁQUINA LIMPIADORA A PRESIÓN

- Siempre desconecte el alambre de la bujía y colóquelo donde no pueda entrar en contacto con la bujía.

### CUANDO PRUEBE LA BUJÍA DEL MOTOR

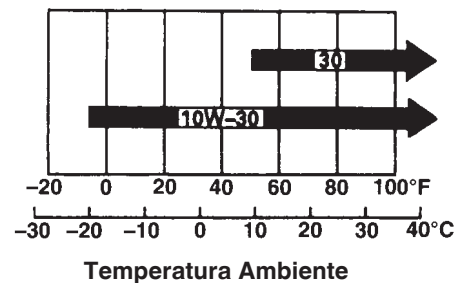
- Utilice un comprobador de bujías homologado.
- NO compruebe la chispa sin la bujía instalada.

## Aceite

### Recomendaciones sobre el aceite

**AVISO** Cuando añada aceite al cárter del motor, utilice sólo aceite detergente de automoción para motores de cuatro tiempos de alta calidad con clasificación de servicio API SJ o SL y viscosidad SAE 10W-30. NO utilice aditivos especiales.

1. Seleccione una viscosidad de acuerdo a la tabla siguiente.

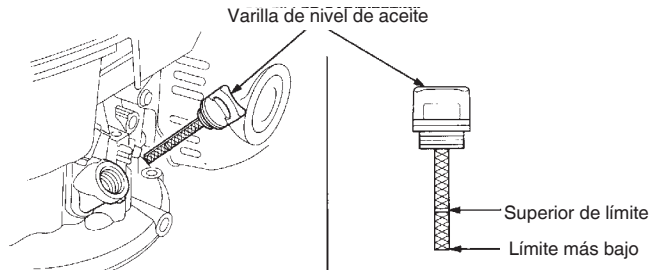


**AVISO** Las otras viscosidades que se indican en la tabla se pueden utilizar siempre que la temperatura media de su zona esté dentro de los límites recomendados.

### Comprobación del nivel de aceite

Compruebe el nivel de aceite antes de cada uso o cada 5 horas de funcionamiento, como mínimo. Rellene si es necesario.

1. Sitúe el limpiadora a presión en una superficie plana y limpie la zona de alrededor del tapón de llenado de aceite.
2. Quite la varilla de nivel de aceite y límpiela con un trapo limpio. Introduzca la varilla de nivel de aceite y sáquela sin enroscarla en la boca de llenado.
3. Compruebe que el aceite hasta la marca superior de límite de la varilla de medición. Instale el varilla de medición, apriete firmemente.



### Adición de aceite del motor

1. Coloque el limpiadora a presión sobre una superficie nivelada.
2. Limpie la zona de alrededor del tapón de llenado de aceite y quite la varilla de nivel de aceite.
3. Compruebe el nivel de aceite tal como se indica en la sección *Comprobación del nivel de aceite*.
4. Si es necesario, vierta lentamente aceite en la abertura de llenado. Haga pausas para permitir que el aceite se deposite. Llene hasta el marca superior de límite de la varilla de medición. NO llene excesivamente.

**AVISO** El llenado de aceite en exceso podría impedir el arranque del motor o provocar dificultades de arranque.

- NO llene en exceso.
- Si el nivel de aceite está por encima de la marca FULL (LLENO) de la varilla, vacíe aceite para reducir el nivel hasta la marca FULL (LLENO) de la varilla.

5. Instale el varilla de medición, apriete firmemente.

### Cambio de Aceite del Motor

Si está utilizando su generador bajo condiciones de extrema suciedad o polvo, o en un clima demasiado caliente, haga el cambio de aceite más frecuentemente.

**PRECAUCIÓN** Evite el contacto prolongado o repetido de piel con aceite usado de motor.

- El aceite usado del motor ha sido mostrado al cancer de la piel de la causa en ciertos animales del laboratorio.
- Completamente lavado expuso áreas con el jabón y el agua.



MANTENER FUERA DEL ALCANCE DE LOS NIÑOS. NO CONTAMINE. CONSERVE LOS RECURSOS. DEPOSITE EL ACEITE USADO EN UN PUNTO DE RECOGIDA.

### Cambie el aceite cuando el motor siga estando caliente después de haber funcionado:

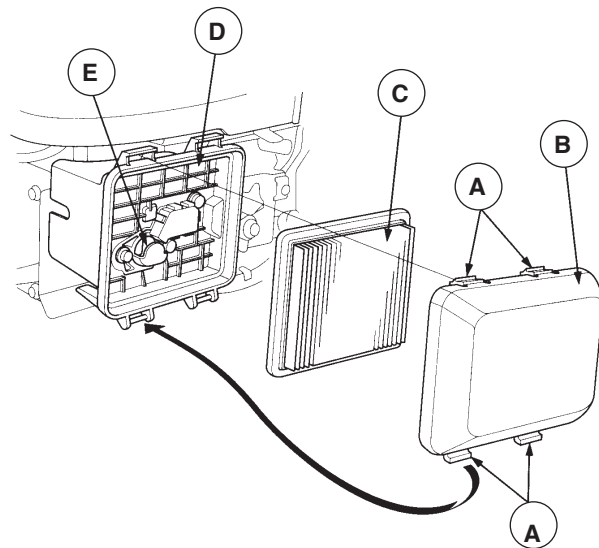
1. Drene el tanque del combustible haciendo funcionar la máquina limpiadora a presión hasta que el tanque esté vacío.
2. Desconecte alambre de bujía y lo mantiene lejos del bujía.
3. Limpie el área alrededor de la abertura para llenado de aceite, retire la varilla de medición. Limpie la varilla de medición.
4. Incline su máquina limpiadora a presión para drenar el aceite a través del orificio de llenado en un recipiente adecuado asegurándose de inclinar la unidad hacia el lado opuesto de la bujía. Cuando la caja del cigüeñal esté vacía, vuelva a colocar la máquina limpiadora a presión en posición vertical.
5. Vierta lentamente unos aproximadamente 0,5 litros (18 onzas) de aceite por el orificio. Llene hasta el marca superior de límite de la varilla de medición.
6. Instale la varilla de medición, apriete firmemente.
7. Limpie los residuos de aceite.
8. Conecte de nuevo alambre de bujía al bujía.

### Servicio del depurador de aire

Su motor no funcionará adecuadamente y puede dañarse si usted lo hace funcionar con un depurador de aire sucio. Suministre servicio más frecuentemente si la unidad funciona bajo condiciones de mucha suciedad o polvo. Los repuestos se encuentran disponibles en su centro de servicio local Sears.

**Para dar servicio al filtro de aire, siga los pasos que se detallan a continuación:**

1. Presione las lengüetas de retención (A) de la parte superior de la tapa del filtro de aire (B) y quite la tapa.



2. Extraiga con cuidado el filtro de aire (C) de la base (D).
3. Limpie el filtro de aire golpeándolo suavemente varias veces contra una superficie dura para eliminar la suciedad. Como alternativa, puede soplar aire comprimido (a no más de 30 psi) a través del filtro desde el lado limpio (el que está orientado al motor).

**AVISO** NUNCA elimine la suciedad con un cepillo. El uso de un cepillo insertaría la suciedad en las fibras.

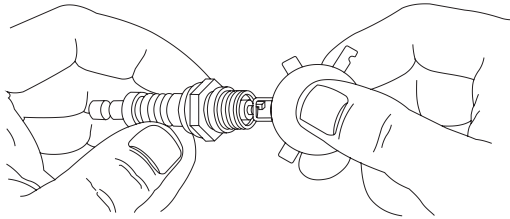
4. Limpie la suciedad del cuerpo y la tapa del filtro de aire con un trapo húmedo. Hágalo con cuidado para evitar que la suciedad penetre en el conducto de aire (E) que va al carburador.
5. Instale un filtro de aire limpio (o nuevo) en la base. El filtro de aire debe encajar bien en la base.
6. Vuelva a colocar la tapa del filtro de aire.

**AVISO** Usted puede comprar los elementos del filtro de aire nuevos llamando al **1-888-331-4569**.

## Reemplace la bujía

Cambiar la bujía ayudará a su motor a arrancar más fácilmente y funcionar mejor.

1. Retire el capuchón de la bujía y limpie la zona circundante.
2. Retire y revise la bujía.
3. Cambie la bujía si los electrodos están picados o quemados o si la porcelana está agrietada.
4. Sustituya la bujía por otra nueva, modelo recomendado: NGK PBR6ES.
5. Revise la separación del electrodo con un calibrador de alambre y ajuste la separación a 0.028-0.031 pulgadas (0.70-0.80 mm), si es necesario.



- 6A. Cuando vuelva a montar la bujía original, apriete 1/8-1/4 de vuelta después de que la bujía se asiente para comprimir la arandela.
- 6B. Cuando vuelva a montar la bujía nuevos, apriete 1/2 de vuelta después de que la bujía se asiente para comprimir la arandela.
7. Vuelva a colocar el capuchón de la bujía.

**AVISO** Puede adquirir nuevos bujía al número telefónico **1-888-331-4569**.

## Carburador

Si usted cree que su carburador necesita ajuste, visite su centro de servicio Sears más cercano. El funcionamiento del motor podría resultar afectado a altitudes por encima de 5000 pies. Para operaciones a elevaciones mayores, póngase en contacto con el centro de servicio Sears más cercano.

## Inspeccione el silenciador y la pantalla apagachispas

Inspeccione que el silenciador no presente fisuras, corrosión u otros daños. Desmonte la pantalla apagachispas, si cuenta con una, y verifique que no presente daños ni obstrucción por carbón. En caso de que se necesiten piezas de recambio, asegúrese de usar solamente piezas de recambio originales para el equipo.

**AVISO** Para obtener el número de parte llame al **1-888-331-4569**.

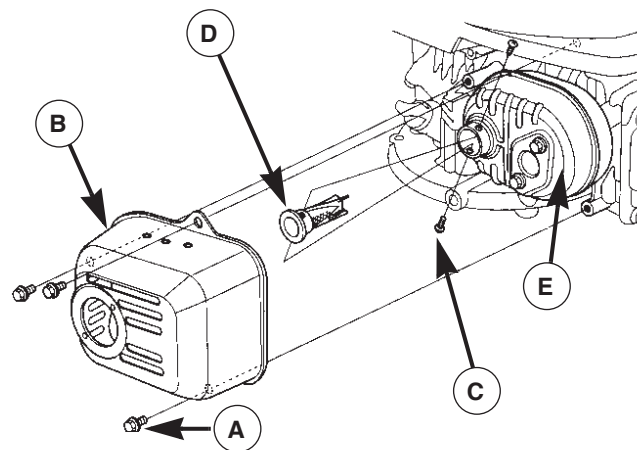
**⚠ ADVERTENCIA** Los gases y el calor de escape podrían inflamar los materiales combustibles y las estructuras o dañar el depósito de combustible y provocar incendios, así como lesiones graves o incluso la muerte.

El contacto con la zona del silenciador podría producir quemaduras y lesiones graves.

- NO toque las superficies calientes y evite los gases del escape a alta temperatura.
- Permita que el equipo se enfríe antes de tocarlo.
- Deje un espacio mínimo de 1.5 m (5 pies) alrededor del limpiadora a presión, incluida la parte superior.
- Utilizar el motor en un terreno boscoso, con maleza o cubierto de hierba constituye una infracción al Código de recursos públicos de California, a menos que el sistema de escape esté equipado con una pantalla apagachispas, de acuerdo a la definición de la Sección 4442, que se mantenga en buenas condiciones de funcionamiento. En otros estados o jurisdicciones federales puede haber leyes similares en vigor. Póngase en contacto con el fabricante, el vendedor o el distribuidor del equipo original para obtener una pantalla apagachispas diseñada para el sistema de escape instalado en este motor.
- Las piezas de recambio deben ser las mismas que las piezas originales y estar instaladas en la misma posición.

## Limpie e inspeccione el apagachispas de la siguiente manera:

1. Quite los tres pernos de 6 mm (A) del protector del silenciador (B) y retire el protector.



2. Quite los dos tornillos especiales (C) de la pantalla apagachispas y retire la pantalla (D) de silenciador (E).

3. Utilice un cepillo para eliminar los depósitos de carbonilla de la pantalla apagachispas. Tenga cuidado de no dañar la pantalla.

**AVISO** Sustituya la pantalla apagachispas si está rota o perforada.

4. Instale la pantalla apagachispas limpia (o nueva) siguiendo el orden inverso al de desmontaje.

## DESPUES DE CADA USO

No deberá haber agua en la unidad por largos períodos de tiempo. Los sedimentos de minerales se pueden depositar en partes de la bomba y “congelar” su funcionamiento. Lleve a cabo estos procedimientos después de cada uso:

1. Pare el motor, cierre la alimentación de agua, apunte con la pistola rociadora hacia una dirección segura, pulse el botón rojo y apriete el gatillo para descargar la presión. Deje enfriar el motor.



**ADVERTENCIA** El chorro de agua a alta presión que este equipo produce podría atravesar la piel y los tejidos subcutáneos, que podrían provocar lesiones graves y la posible amputación de un miembro. La pistola rociadora retiene agua a alta presión incluso con el motor parado y el agua desconectada; esto podría provocar lesiones graves.

- Mantenga conectada la manguera a la máquina o a la pistola de rociado cuando el sistema esté presurizado.
- SIEMPRE que pare el motor, apunte con la pistola rociadora hacia una dirección segura, pulse el botón rojo y apriete el gatillo para descargar la presión.

2. Desconecte manga del fusil del rocío y salida alta de presión en la bomba. Desagüe agua de la manga, del fusil, y de la extensión de boquilla. Use un harapo para quitar la manga.
3. Saque todos los líquidos de la bomba halando la manija de retroceso aproximadamente 6 veces. Esto deberá evacuar la mayoría del líquido de la bomba.
4. Enrolle la manguera y cuélguela del gancho situado en el bandeja de accesorios.
5. Almacene la unidad en una área limpia y seca.
6. Si planea almacenar la unidad por más de 30 días, vea la sección *Almacenamiento Prolongado* en próxima página.



**ADVERTENCIA** El combustible y sus vapores son extremadamente inflamables y explosivos, lo que podría provocar quemaduras, incendios o explosiones; así como lesiones graves o incluso la muerte.

### CUANDO ALMACENE O GUARDE EL EQUIPO CON COMBUSTIBLE EN EL TANQUE

- Manténgalo alejado de calderas, estufas, calentadores de agua, secadoras de ropa u otros aparatos que utilicen llama piloto u otras fuentes de ignición que podrían inflamar los vapores de combustible.

# ALMACENAMIENTO

## ALMACENAMIENTO PARA INVIERNO

**AVISO** Usted deberá proteger su unidad de las temperaturas de congelamiento.

- Si no lo hace, dañará permanentemente la bomba y la unidad no podrá funcionar.
- La garantía no cubre el daño de la unidad ocasionado por congelamiento.

### Para proteger la unidad de las temperaturas de congelamiento:

1. Siga los pasos 1-4 en la sección previa *Después de Cada Uso*.
2. Utilice un protector de bomba, disponible en Sears con el número de catálogo 74403 para cuidar la bomba. Aquél protege a la unidad contra el congelamiento y lubrica tanto los pistones como los empaques.
3. Si el protector de bomba no está disponible, conecte un tramo de 3 pies de manguera de jardín a la entrada de agua. Vierta anticongelante RV (anticongelante sin alcohol) en la manguera. Jale la manija de arranque dos veces. Desconecte después la manguera de 3 pies.
4. Almacene la unidad en una área limpia y seca.

## ALMACENAMIENTO PROLONGADO

Si usted no planea usar la máquina limpiadora a presión por más de 30 días, deberá preparar el motor para un almacenamiento prolongado.

Es importante evitar la formación de depósitos de goma en las partes esenciales del sistema del combustible tales como carburador, filtro del combustible, manguera o tanque del combustible durante el almacenamiento. También, la experiencia indica que los combustibles con mezclas de alcohol (llamados gasohol, etanol o metanol) pueden atraer la humedad, lo que lleva a la separación y formación de ácidos durante el almacenamiento. La gasolina ácida puede dañar el sistema del combustible de un motor durante el almacenamiento.

## Proteja el sistema de combustible

### Aditivo para Combustible:

Si va a usar aditivo para combustible, llene el tanque de combustible con gasolina fresca. Si el tanque está parcialmente lleno, el aire del tanque va a promover el deterioro del combustible durante el almacenamiento. El motor y el combustible pueden ser almacenados hasta 24 meses con aditivo.

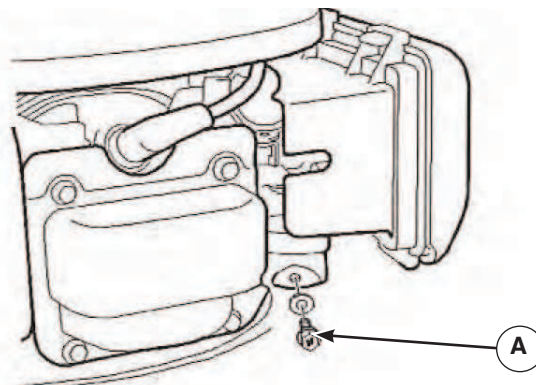
- Deposite el aditivo para combustible siguiendo las instrucciones del fabricante.
- Asegúrese de tener conectado y ABIERTO el suministro de agua a la entrada de la bomba.
- Ponga en funcionamiento el motor en un área descubierta por varios minutos para asegurarse de que la gasolina tratada ha remplazado la gasolina no tratada del carburador.

Si no usa aditivo para combustible, retire todo el combustible del tanque y haga funcionar el motor hasta que se detenga por falta de combustible.

### Vaciado del depósito de combustible y del carburador:

Si no utiliza aditivos para el combustible, vacíe todo el combustible del depósito y el carburador.

- Coloque un recipiente homologado bajo el carburador y utilice un embudo para no derramar el combustible.
- Quite el tornillo de vaciado del carburador (A) y sitúe la palanca de la válvula de combustible en la posición "On".



- Una vez vaciado todo el combustible, vuelva a montar el tornillo de vaciado y apriételes bien.

## Cambio de aceite

Con el motor todavía caliente, drene el aceite de la caja del cigüeñal. Vuelva a llenarlo con el grado de aceite recomendado. Vea *Cambio de Aceite del Motor* en la sección *Mantenimiento del Motor*.

## Aceite el diámetro interior del cilindro

- Retire la bujía. Rocíe aproximadamente un cucharón de aceite limpio para motor dentro del cilindro. Cubra el orificio de la bujía con un trapo. Hale la manija de retroceso lentamente para distribuir el aceite. Evite el rociado del orificio de la bujía.
- Instale la bujía. No conecte el alambre de la bujía.

## Protección de la bomba

Para proteger la bomba frente a los daños que causan los depósitos minerales o la congelación, use PumpSaver, número de catálogo 74403, para cuidar la bomba. Esto evita los daños derivados de la congelación y lubrica los pistones y las juntas.

**AVISO** El PumpSaver están disponible sólo como un accesorio opcional. NO es incluido con la arandela de la presión. Avise el más cercano servicio autorizado central para comprar PumpSaver.

**AVISO** Usted deberá proteger su unidad de las temperaturas de congelamiento.

- Si no lo hace, dañará permanentemente la bomba y la unidad no podrá funcionar.
- La garantía no cubre el daño de la unidad ocasionado por congelamiento.

Al uso el PumpSaver, cerciórese la arandela de la presión se apaga y desconecta del agua del suministro. Lea y siga todas instrucciones y las advertencias dadas en el contenedor de PumpSaver.

## Otras sugerencias para el almacenamiento

1. NO guarde combustible de una temporada a otra a menos que lo haya tratado como se indica en la sección *Proteja el Sistema de Combustible*.
2. Reemplace la caneca de gasolina si comienza a oxidarse. El óxido y/o la suciedad en la gasolina le causará problemas.
3. Cubra su unidad con una cubierta de protección adecuada que no retenga humedad.



**ADVERTENCIA** Las fundas para almacenamiento podrían provocar incendios y producir lesiones graves o incluso la muerte.

- NO coloque una cubierta encima de un limpiadora a presión caliente.
- Deje que la unidad se enfríe lo suficientemente antes de que le coloque la cubierta.

4. Almacene la unidad en un área limpia y seca.

# REPARACION DE DAÑOS

Problema	Causa	Solución
<b>La bomba presenta los siguientes problemas: no produce presión o produce una presión errada, traqueteo, pérdida de presión, bajo volumen de agua.</b>	<ol style="list-style-type: none"> <li>1. Está usando la puntas de rocío de baja presión (negra).</li> <li>2. La entrada de agua está bloqueada.</li> <li>3. Suministro de agua inadecuado.</li> <li>4. La manguera de entrada está doblada o presenta fugas.</li> <li>5. El colador de la manguera de la entrada de agua está tapado.</li> <li>6. El suministro de agua está por encima de los 100°F.</li> <li>7. La manguera de alta presión está bloqueada o presenta fugas.</li> <li>8. La pistola presenta fugas.</li> <li>9. La punta de rocío está obstruida.</li> <li>10. Bomba defectuosa.</li> </ol>	<ol style="list-style-type: none"> <li>1. Cambie la puntas de rocío a una de las puntas de rocío de alta presión.</li> <li>2. Limpie la entrada.</li> <li>3. Proporcione flujo de agua adecuado.</li> <li>4. Estire la manguera de entrada, coloque un parche en la fuga.</li> <li>5. Revise y limpie el colador de la manguera de entrada.</li> <li>6. Proporcione suministro de agua más fría.</li> <li>7. Retire las obstrucciones de la manguera de salida.</li> <li>8. Reemplace la pistola.</li> <li>9. Limpie la punta de rocío.</li> <li>10. Póngase en contacto con el centro de servicio Sears.</li> </ol>
<b>El detergente no se mezcla con el rociado.</b>	<ol style="list-style-type: none"> <li>1. El tubo de succión de detergente no está sumergido.</li> <li>2. El filtro de químicos está tapado.</li> <li>3. Está usando la puntas de rocío de alta presión.</li> <li>4. Bola de retención de inyección de detergente pegado.</li> </ol>	<ol style="list-style-type: none"> <li>1. Coloque el tubo de succión de detergente en el detergente.</li> <li>2. Limpie o reemplace el filtro/tubo de succión de detergente.</li> <li>3. Use la puntas de rocío de baja presión (negra).</li> <li>4. Libre bola de retención de inyección de detergente.</li> </ol>
<b>El motor no arranca, arranca y funciona mal o apaga durante la operación.</b>	<ol style="list-style-type: none"> <li>1. Válvula del combustible en posición "Off".</li> <li>2. Conmutador de parada del motor posicioando en "Off".</li> <li>3. Bajo nivel de aceite.</li> <li>4. Depurador de aire sucio.</li> <li>5. Sin gasolina.</li> <li>6. Gasolina vieja.</li> <li>7. El alambre de la bujía no está conectado a la bujía.</li> <li>8. Bujía mala.</li> <li>9. Agua en la gasolina.</li> <li>10. Estrangulación excesiva o inundado.</li> <li>11. Mezcla de combustible demasiado rica.</li> <li>12. Válvula de entrada trabada en la posición abierta o cerrada.</li> <li>13. El motor ha perdido compresión.</li> </ol>	<ol style="list-style-type: none"> <li>1. Gire la válvula del combustible a la posición "On".</li> <li>2. Coloque del conmutador de parada del motor en "On".</li> <li>3. Llene la caja del cigüeñal hasta el nivel correcto.</li> <li>4. Limpie o reemplace el depurador de aire.</li> <li>5. Llene el tanque de combustible.</li> <li>6. Drene el tanque de gasolina; llénelo con combustible fresco.</li> <li>7. Conecte el alambre a la bujía.</li> <li>8. Reemplace la bujía.</li> <li>9. Drene el tanque de gasolina; llénelo con combustible fresco.</li> <li>10. Abra el cebador por completo y haga girar el motor.</li> <li>11. Póngase en contacto con el centro de servicio Sears.</li> <li>12. Póngase en contacto con el centro de servicio Sears.</li> <li>13. Póngase en contacto con el centro de servicio Sears.</li> </ol>
<b>El motor no tiene fuerza.</b>	Filtro de aire sucio.	Reemplace el filtro de aire.
<b>El motor intenta estabilizarse o su funcionamiento no es constante.</b>	Cebador abierto demasiado rápido.	Mueva el cebador a la posición intermedia hasta que el motor funcione normalmente.

# GARANTÍA DEL SISTEMA DE CONTROL DE EMISIONES

## Declaración de la garantía de control de emisiones de la EPA de California, EE. UU. y Sears

### Derechos y obligaciones de la garantía

La Junta de Recursos del Aire de California, la EPA de los EE.UU y Sears Brands Management Corporation, U.S.A. (Sears) explican a continuación la garantía del sistema de control de emisiones de su motor/equipo 2014-2016. En California, los nuevos motores pequeños todo terreno y los motores grandes encendidos por chispa de 1 litro o menos deben estar diseñados, construidos y equipados para cumplir con las estrictas normas anticontaminación del estado. Sears debe garantizar el sistema de control de emisiones en su motor/equipo por los períodos que se indican a continuación, siempre que no haya habido abuso, descuido o mantenimiento inapropiado en su motor/equipo.

El sistema de control de emisiones de escape puede incluir piezas como el carburador o el sistema de inyección de combustible, el sistema de ignición y el convertidor catalítico. También puede incluir mangueras, correas, conectores, sensores y otros conjuntos relacionados con las emisiones. Su sistema de control de emisiones evaporativas puede incluir piezas como: carburadores, tanques de combustible, mangueras de combustible, tapas de combustible, válvulas, depósitos, filtros, mangueras de vapor, abrazaderas, conectores y otros componentes asociados.

Si se cumplen las condiciones de la garantía, Sears reparará su motor/equipo sin costo alguno, incluido el diagnóstico, las piezas y la mano de obra.

### Cobertura de la garantía del fabricante:

Los motores pequeños todo terreno y los motores grandes encendidos por chispa de 1 litro o menos, y cualquier componente del equipo relacionado con las emisiones, tienen una garantía de dos años o del período que se indica en la respectiva declaración de garantía del motor o producto, lo que dure más. Si alguna pieza del motor/equipo de Sears relacionada con las emisiones estuviera defectuosa, Sears la reparará o sustituirá.

### Responsabilidades de la garantía del propietario:

- Como propietario del motor/equipo, usted es responsable de llevar a cabo todas las operaciones de mantenimiento que se enumeran en el Manual del operador. Sears recomienda conservar todos los recibos relativos al mantenimiento del motor/equipo, pero no puede denegar la garantía basándose únicamente en la falta de recibos o en la imposibilidad por parte de usted de asegurar la realización de todas las tareas de mantenimiento programadas.
- Sin embargo, como propietario del motor/equipo, debe ser consciente de que Sears puede denegar la cobertura de la garantía si el motor/equipo o una pieza fallan debido a uso indebido, descuido, un mantenimiento inadecuado o modificaciones no autorizadas.
- Usted es responsable de presentar su motor/equipo a un centro de distribución de Sears, distribuidor autorizado de servicio u otra entidad equivalente, según corresponda, en el momento en que surja un problema. Las reparaciones cubiertas por la garantía se llevarán a cabo en un plazo razonable no superior a 30 días. En caso de que tenga preguntas sobre los derechos y responsabilidades relativos a la garantía, debe ponerse

en contacto con Sears llamando al (800) 469-4663 (en los EE. UU.) o en [www.craftsman.com/warranty](http://www.craftsman.com/warranty).

### Disposiciones de la garantía de control de emisiones de Sears

A continuación se detallan las disposiciones específicas relacionadas con la cobertura de la garantía de control de emisiones. Se añaden a la garantía de motores de Sears para motores no regulados que figura en el Manual del operador.

1. Piezas con garantía relacionadas con el sistema de emisiones  
La cobertura de esta garantía se extiende únicamente a las piezas listadas abajo (piezas de los sistemas de control de emisiones) en la medida en que estas piezas hayan estado presentes en el motor y/o el sistema de combustible suministrado.
  - a. Sistema de medición de combustible.
    - Sistema de enriquecimiento de arranque en frío (estrangulador electrónico).
    - Carburador o sistema de inyección de combustible.
    - Sensor de oxígeno.
    - Unidad de control electrónico.
    - Módulo de la bomba de combustible.
    - Tubo de combustible, acoplamientos del tubo de combustible, abrazaderas.
    - Tanque de combustible, tapón y traba.
    - Depósito de carbono.
  - b. Sistema de inducción de aire.
    - Purificador de aire.
    - Colector de admisión.
    - Conducto de vaciado y ventilación.
  - c. Sistema de ignición.
    - Bujías.
    - Sistema de ignición magnético.
  - d. Sistema catalizador.
    - Convertidor catalítico.
    - Colector de escape.
    - Sistema de inyección de aire o válvula de impulso.
  - e. Varios componentes usados en los sistemas anteriores.
    - Válvulas e interruptores de vacío, temperatura, posición y sensibles al tiempo.
    - Conectores y unidades.
2. Duración de la cobertura.  
La cobertura tiene una duración de dos años a partir de la fecha de la compra original o durante el período que se indica en la declaración de garantía respectiva del motor o producto, lo que dure más. Sears le garantiza al comprador original y a cada comprador posterior que el motor está diseñado, construido y equipado conforme a todas las normativas vigentes adoptadas por la Junta de Recursos del Aire; que no tiene defectos de materiales ni de mano de obra que pudieran provocar la falla de una pieza cubierta por la garantía; y que es idéntico en todos los aspectos materiales al motor descrito en la aplicación de certificación del fabricante. El período de garantía comienza en la fecha de adquisición original del motor.

La garantía sobre las piezas relacionadas con las emisiones es la siguiente:

- Todas las piezas cubiertas por la garantía que no se deban sustituir como parte del programa de mantenimiento obligatorio detallado en el Manual del operador entregado quedarán cubiertas por la garantía durante el período especificado anteriormente. Si alguna de estas piezas falla durante el período de cobertura de la garantía, deberá ser reparada o sustituida por Sears sin cargo alguno para el propietario. Las piezas que se reparen o sustituyan en virtud de la garantía estarán cubiertas por esta durante el período de garantía restante.
  - Todas las piezas cubiertas por la garantía que sólo se deban inspeccionar periódicamente según el Manual del operador entregado quedarán cubiertas por la garantía durante el período especificado anteriormente. Las piezas que se reparen o sustituyan en virtud de la garantía estarán cubiertas por esta durante el período de garantía restante.
  - Las piezas cubiertas por la garantía que se deban sustituir como parte del programa de mantenimiento obligatorio detallado en el Manual del operador entregado quedarán cubiertas por la garantía hasta el momento en que se indique que es necesario hacer la primera sustitución. Si la pieza falla antes de la fecha de la primera sustitución, será reparada o sustituida por Sears sin cargo alguno para el propietario. Las piezas que se reparen o sustituyan en virtud de la garantía estarán cubiertas por la garantía durante el período de garantía hasta llegar a la fecha de la primera sustitución.
  - No se podrán utilizar piezas complementarias o modificadas no exentas por la Junta de Recursos del Aire. El uso de cualquier pieza complementaria o modificada no exenta por parte del propietario dará lugar a la anulación de la garantía. El fabricante no será responsable de extender garantía por fallas de piezas cubiertas por la garantía que se deban al uso de una pieza complementaria o modificada no exenta.
3. Cobertura consecucional  
La cobertura se extenderá hasta la falla de cualquiera de los componentes del motor ocasionada por la falla de piezas relacionadas con el sistema de emisiones cubiertas por la garantía.
4. Reclamos y exclusiones de la cobertura  
Los reclamos de garantía se cumplimentarán según las disposiciones de la póliza de garantía para motores de Sears. La cobertura no es válida para las fallas de las piezas relacionadas con el sistema de emisiones que no sean originales de Sears ni para las fallas causadas por el uso indebido, negligencia o mantenimiento inadecuado, conforme a las disposiciones de la póliza de garantía para motores de Sears. Sears no será responsable de la garantía por fallas de piezas relacionadas con el sistema de emisiones provocadas por el uso de piezas complementarias o modificadas.

### **Busque el período de durabilidad de emisiones y la información del índice de aire pertinentes en la etiqueta de emisiones de su motor pequeño todo terreno.**

Los motores con certificación de cumplimiento de la normativa sobre emisiones para motores pequeños todo terreno de la Junta de Recursos del Aire de California (California Air Resources Board, CARB) deben mostrar información sobre el período de durabilidad de las emisiones y el índice de aire. Sears ofrece esta información al consumidor en las etiquetas de emisiones. La etiqueta de emisiones del motor contiene la información de certificación.

El **período de durabilidad de las emisiones** indica la cantidad de horas durante las cuales el motor puede funcionar cumpliendo las normas sobre emisiones, siempre que se realicen las operaciones de mantenimiento adecuadas de acuerdo con el Manual del operador. Se utilizan las siguientes categorías:

**Moderado:** Motores con una cilindrada de 80 cc o menos cuentan con certificación de conformidad de emisiones para 50 horas de tiempo de funcionamiento efectivo del motor. Motores con una cilindrada superior a 80 cc cuentan con certificación de conformidad de emisiones para 125 horas de tiempo de funcionamiento efectivo del motor.

**Intermedio:** Motores con una cilindrada de 80 cc o menos cuentan con certificación de conformidad de emisiones para 125 horas de tiempo de funcionamiento efectivo del motor. Motores con una cilindrada superior a 80 cc cuentan con certificación de conformidad de emisiones para 250 horas de tiempo de funcionamiento efectivo del motor.

**Extendido:** Motores con una cilindrada de 80 cc o menos cuentan con certificación de conformidad de emisiones para 300 horas de tiempo de funcionamiento efectivo del motor. Motores con una cilindrada superior a 80 cc cuentan con certificación de conformidad de emisiones para 500 horas de tiempo de funcionamiento efectivo del motor.

Por ejemplo, un cortacésped con operador a pie se suele utilizar entre 20 y 25 horas al año. Por lo tanto, el **período de durabilidad de las emisiones** de un motor con clasificación **intermedia** equivaldría a entre 10 y 12 años.

Los motores cuentan con la certificación de cumplimiento de la fase 2 o 3 de las normativas sobre emisiones de la Agencia de Protección Ambiental de los Estados Unidos (United States Environmental Protection Agency, USEPA). El período de cumplimiento de la normativa sobre emisiones que figura en la etiqueta de cumplimiento de emisiones indica la cantidad de horas de funcionamiento durante las cuales el motor ha demostrado cumplir los requisitos federales sobre emisiones.

Para motores con una cilindrada de 80 cc o menos:  
Categoría C = 50 horas, Categoría B = 125 horas, Categoría A = 300 horas

Para motores con una cilindrada superior a 80 cc y menor de 225 cc:  
Categoría C = 125 horas, Categoría B = 250 horas, Categoría A = 500 horas

Para motores con una cilindrada de 225 cc o más:  
Categoría C = 250 horas, Categoría B = 500 horas, Categoría A = 1000 horas

# CRAFTSMAN®

**Product questions or problems?**

# 1-888-331-4569

## Customer Care Hot Line

**Get answers to questions, troubleshoot problems,  
order parts, or schedule repair service.**

Para respuestas a preguntas o problemas, y ordenar  
piezas o pedir servicio para la reparación de su equipo.

**To help us help you, register your product at [www.craftsman.com/registration](http://www.craftsman.com/registration)**

Para poderte ayudar mejor, registra tu producto en [www.craftsman.com/registration](http://www.craftsman.com/registration)

**Join the Craftsman Club today!**

# CRAFTSMAN® CLUB

**[www.craftsman.com/signup](http://www.craftsman.com/signup)**

**Receive exclusive member benefits including special pricing and offers,  
project sharing, expert advice, and SHOP YOUR WAY REWARDS!**

Como miembro exclusivo, recibe diversos beneficios como ofertas, precios especiales, proyectos nuevos, consejos de expertos y nuestro programa de puntos SHOP YOUR WAY REWARDS!

© Registered Trademark / ™ Trademark of KCD IP, LLC in the United States, or Sears Brands, LLC in other countries  
© Marca Registrada / ™ Marca de Fábrica de KCD IP, LLC en Estados Unidos, o Sears Brands, LLC in otros países