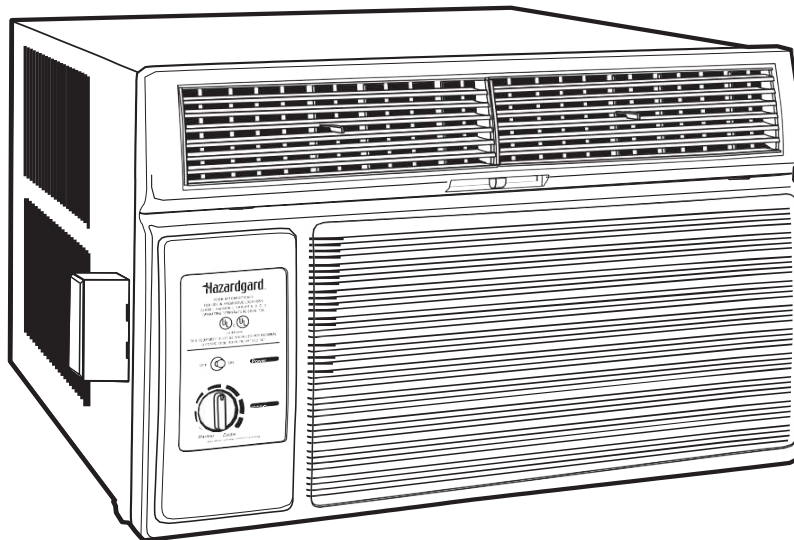




Hazardgard® Hazardous Location Room Air Conditioner



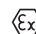
Equipment is certified in accordance with:

ISA 12.12.01 and NFPA 70-10
(National Electric Code)

Article 501
Class I , Div. 2 Groups A,B,C,& D

Article 505
Class I , Zone 2, Groups IIA IIB + H and IIC

240/220 V, 50 HZ :SH20*
230/208V : SH15, SH20
230/208V, 60 HZ ; 240/220V, 50 HZ : SH 24*

ATEX*
CE  II 3 G Ex nA nC IIC T4 Gc
DEMKO 15 ATEX 1364X

IECEX*
Ex nA nC IIC T Gc IECEX UL15.0051X
8° C ≤ Tamb ≤ 55° C




Table of Contents

Operation and Care Instructions

Your Safety and the safety of others	2
General Instructions	3
Filter Information	4
Special Features	5
Control Panel.....	5
Underwriters Laboratories	6

Installation Instructions

Electrical Requirements	7
Installation Hardware	8
Unpacking the Unit.....	9-10
Outdoor / Indoor Clearances.....	11
Through-the-Wall	12-14
Sash Window	15-20
Chassis Wiring and Preparation	21-24
Chassis Installation	25-26
Maintenance Checklist.....	27
WARRANTY.....	28

	 WARNING	 ADVERTENCIA	 AVERTISSEMENT
THINK SAFETY FIRST	Do not remove, disable or bypass this unit's safety devices. Doing so may cause, fire, injuries or death.	No eliminar, desactivar o pasar por alto los dispositivos de seguridad de la unidad. Si lo hace podría producirse fuego, lesiones o muerte.	Ne pas supprimer, désactiver ou contourner cette l'unité des dispositifs de sécurité. Faire vous risqueriez de provoquer, le feu, les blessures ou la mort.
	Do not open when an explosive atmosphere is present.	No abra cuando se encuentre en una atmósfera explosiva.	Ne pas ouvrir lorsque une atmosphère explosive est présente.
	Do not separate when energized.	No separar cuando se encuentre bajo tensión.	Ne pas séparer sous tension.
	To avoid the buildup of electrostatic charge, regularly clean the unit with a damp cloth.	Para evitar la acumulación de cargas electrostáticas, limpie regularmente la unidad con un paño húmedo.	Pour éviter l'accumulation de charges électrostatiques, nettoyer régulièrement l'appareil avec un chiffon humide.

Congratulations!

Thank you for your decision to purchase the Friedrich Hazardgard (Hazardous Duty Room Air Conditioner). Your new Friedrich has been carefully engineered and manufactured to give you many years of dependable, efficient operation, maintaining a comfortable temperature and humidity level. Many extra features have been built into your unit to assure quiet operation, the greatest circulation of cool, dry air, and the most economic operation.

General Instructions

This Installation and Operation Manual has been designed to insure maximum satisfaction in the performance of your unit. For years of trouble-free service, please follow the installation instructions closely. We cannot overemphasize the importance of proper installation. We have added new information to the basic instructions to help you achieve proper installation.



WARNING

Refrigeration system under high pressure.

Do not puncture, heat, expose to flame or incinerate.

Only certified refrigeration technicians should service this equipment.

R410A systems operate at higher pressures than R22 equipment. Appropriate safe service and handling practices must be used.

Only use gauge sets designed for use with R410A. Do not use standard R22 gauge sets.



WARNING

Please read this manual thoroughly prior to equipment installation or operation.

It is the installer's responsibility to properly apply and install the equipment. Installation must be in conformance with the NFPA 70-2008 National Electric Code or current edition, International Mechanic Code 2009 or current edition and any other applicable local or national codes.

Failure to do so can result in property damage, personal injury or death.

Here are some suggestions to help you use your new Friedrich most efficiently:

1. Carefully read and follow the installation instructions.
2. Make sure the unit is the right capacity for the area to be cooled. An undersized unit makes the unit work too hard, using more electricity than needed and increases wear. An oversized unit will cycle on and off too rapidly, and therefore cannot control humidity very well.
3. When you first turn on your Friedrich, set the thermostat to its coldest position to cool the room. When the desired temperature is reached, turn the thermostat control toward the "warmer" position until you hear a click and the compressor goes off. The thermostat will then cycle the compressor to maintain the selected temperature.
4. Clean the filter frequently (See Filter Information)
5. Do not block the air flow to and from the unit. Make sure the louvers are directed to give even distribution of air throughout the room. Caution: If air directed into a restricted area such as a corner, this may cause the unit to cycle on and off rapidly, which could damage your unit.
6. A dirty filter or improperly set controls can affect the cooling ability of the unit.
7. If cooling is weak and you have verified that the filter is clean and the controls are properly set, the unit may be low on refrigerant, and you should call your Friedrich service provider to check the unit.
8. Keep blinds, shades and drapes closed on the sunny side of the room being cooled.
9. Proper room insulation helps your unit maintain the desired inside temperature.
10. Whenever possible, shade west-facing windows with awnings, trees, or window tinting.
11. Keep window treatments away from the unit to provide free air flow.

Your safety and the safety of others are very important.

We have provided many important safety messages in this manual and on your appliance. Always read and obey all safety messages.



This is a safety Alert symbol. This symbol alerts you to potential hazards that can kill or hurt you and others.

All safety messages will follow the safety alert symbol with the word "WARNING" or "CAUTION". These words mean:

WARNING

Indicates a hazard which, if not avoided, can result in severe personal injury or death and damage to product or other property.

CAUTION

Indicates a hazard which, if not avoided, can result in personal injury and damage to product or other property.

All safety messages will tell you what the potential hazard is, tell you how to reduce the chance of injury, and tell you what will happen if the instructions are not followed.

NOTICE

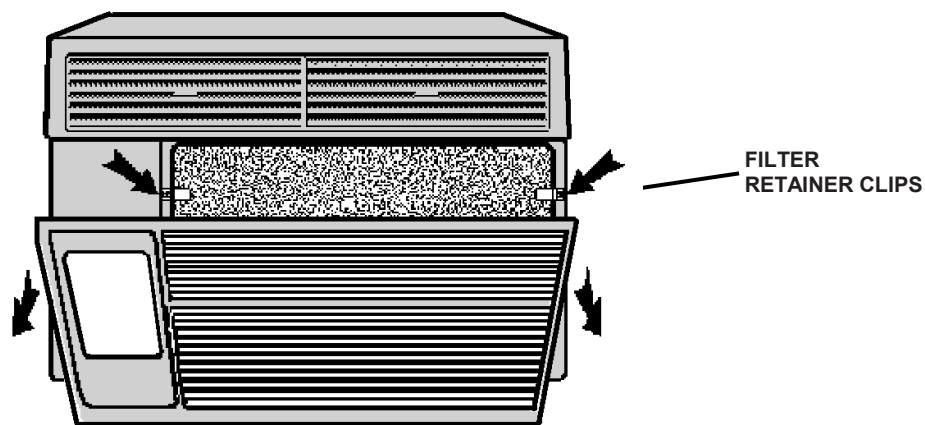
Indicates property damage can occur if instructions are not followed

Filter Information

The filter in your Friedrich removes dust, pollen and other impurities from the air as they are drawn through the unit. The filter is permanent and reusable, and has a germicidal treatment which is not affected by periodic washing.

A clogged, dirty filter reduces the air flow through the unit and reduces its efficiency. You should check the filter every seven to ten days, depending on the amount your unit is used. Clean the filter regularly

Figure 1



The filter can be removed for cleaning by opening the front of the unit and releasing the filter from its retaining clips.

Hazardgard Special Features

- Permanent Split-Capacitor, totally enclosed fan motor to assure efficient operation even under adverse electrical conditions.
- Motor has a special stainless steel shaft to resist corrosion and a hermetically sealed overload for arc-free operation.
- High capacity compressor with internal hermetically sealed overload.
- Contains transient voltage suppressor to protect controls against transient voltage spikes. Provides solid state switches for arc-free operation.
- Hot gas bypass low ambient control to permit operation without freezing at outdoor ambient temperatures as low as 45°F (7°C).
- IP44 Environmentally sealed electrical components protect against ingress of moisture (ATEX & IECEx)
- Polyester powder finish, oven-baked for an attractive, long-lasting finish
- Copper tubing/aluminum hydrophilic coated fin coils
- Galvanized steel cabinet and base pan, all bonderized.
- Slide-out chassis for easy installation in window or through-the-wall.
- Extra insulation inside, including completely insulated plenum chamber for quieter, more efficient cooling.
- Entire unit test run in environmental chamber before crating.
- Eight-way air flow control for uniform circulation
- Condensate drain with exclusive mosquito trap.
- 15amp or 20amp circuit with time-delay fuse required. Accommodates direct wiring.
- Long lasting 3/8" (10mm) thick air filter, germicidally treated, easily removed for cleaning

Friedrich Air Conditioning quality has been proven by more than 30 years of successful experience from the Gulf of Mexico to the searing sands of the Arabian Desert.

Control Panel

Function Control (Power)

This switch is a double pole, single throw toggle switch.

ON - Turns everything on.

OFF - Turns everything off.

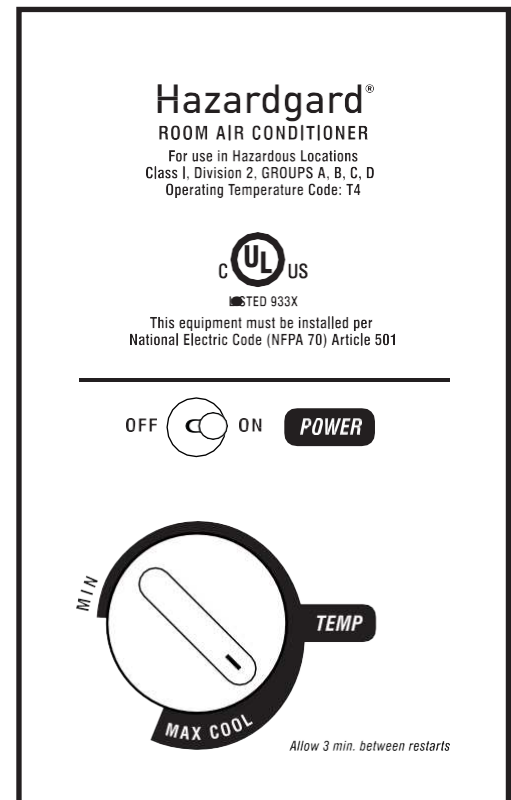
WARNING POWER MUST BE DISCONNECTED AT CIRCUIT BREAKER/FUSE BEFORE SERVICING!

Temperature Control

The knob at the bottom is the thermostat which is a cross ambient type used to maintain the desired comfort level. The thermostat reacts only to a change in temperature at the bulb location - turn the knob clockwise to set cooler, counter-clockwise for warmer.

Friedrich leads with the first UL Listed Room Air Conditioners designed to cool living quarters and other enclosures situated in hazardous locations where specific volatile flammable liquids or gases are handled or used with enclosed containers or systems.

Friedrich Hazardgard room air conditioners are designed to meet the National Electrical Code, Article 500 requirements for Class I, Division 2, Groups A,B,C,D Hazardous locations, CERTIFIED BY UNDERWRITERS LABORATORIES FOR USE IN CLASS 1, DIVISION 2, GROUPS A,B,C,D HAZARDOUS LOCATIONS.



ATEX & IECX Standards Specific to Models SH20N50AT & SH24N20AT

SH20N50AT and SH24N20AT Adhere to the following certifications:

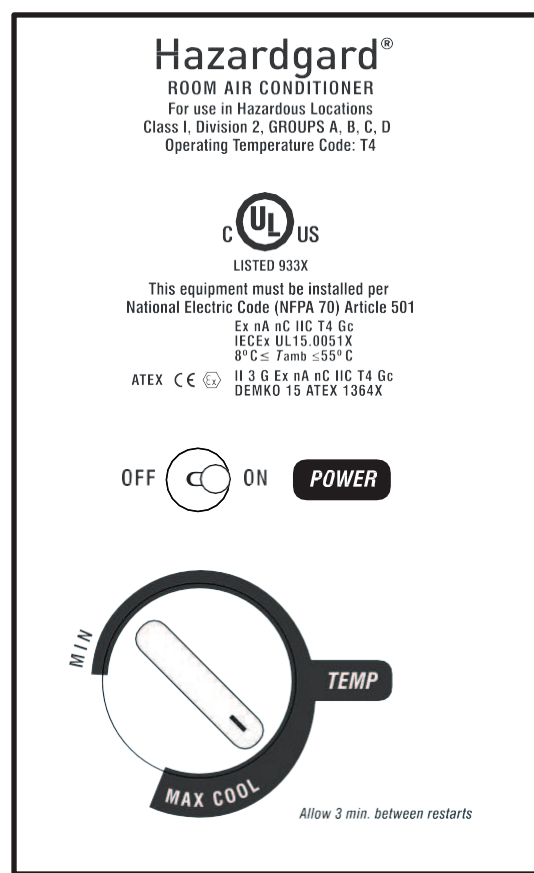
CERTIFIED PER STD. NO. ANSI/ISA 12.12.01,2013
 PER STD. NO. IEC 60079-0, 6th Edition PER STD. NO. IEC 60079-15, 4th Edition
 PER STD. NO. CAN/CSA C22.2 NO. 213-M1987
 PER STD. NO. CENELEC EN 60079-0: 2012 + A11: 2013
 PER STD. NO. CENELEC EN 60079-15: 2010

CERTIFICATION DEMKO 15 ATEX 1364X II 3 G Ex nA nC IIC T4 Gc
 IECEX UL15.0051X DEMKO 15 ATEX 1364X

SH20N50AT & SH24N20AT Specific Conditions of Use:

- Provision shall be made to prevent the rated voltage being exceeded by the transient disturbances of more than 140% of the peak rated voltage..
- The equipment must be installed only for use in locations providing adequate protection against the entry of solid foreign objects or water capable of impairing safety.
- Only permanently wired cables may enter the cable glands. The user shall provide for the required strain relief.
- Degree of protection will be safeguarded only when sealing and cable entry fittings are properly fitted. The Manufacturer's instructions must be followed.
- Cable Glands shall be mounted into the enclosure in such a way that they are mechanically protected against impact force.
- To avoid the buildup of electrostatic charge, regularly clean the unit with a damp cloth.
- The appliance is not to be used by persons (including children) with reduced physical, sensory or mental capabilities, or lack of experience and knowledge, unless they have been given supervision or instruction. Children to be supervised not to play with the appliance.

The following additional previous editions of Standards noted under the "Standards" section of this Certificate where applied to integral Components as itemized below. There are no significant safety related changes between these previous editions and the editions noted under the "Standards" section.	
Junction Box, Part No. 25. 10 16 08, manufactured by Rose.	IEC 60079-7:2006-07, IEC 60079-31:





Friedrich Part No. 618-226-66

NOTICE: To maintain IP44 protection, the Hazardgard unit must be installed in accordance to the installation instructions stated in this document.

Installation Instructions

Models SH15, SH20 and SH24

NOTE: THIS MANUAL INCLUDES INSTALLATION INSTRUCTIONS FOR BOTH WINDOW MOUNT AND THROUGH- THE WALL INSTALLATIONS

⚠ WARNING	
	
Explosion Hazard	Electrical Shock Hazard
Electrically connect unit in accordance with NEC Code Article 501. Failure to do so can result in death, explosion, fire or electrical shock	

Electrical Requirements

ALL FIELD WIRING MUST MEET THE REQUIREMENTS OF THE NATIONAL ELECTRICAL CODE (ANSI/NFPA 70) ARTICLE 501.

THE FIELD-PROVIDED CIRCUIT PROTECTION DEVICE (HACR CIRCUIT BREAKER OR TIME DELAY FUSE) MUST NOT EXCEED THE AMPACITY INDICATED ON THE PRODUCT NAMEPLATE.

IMPORTANT: Before you begin the actual installation of your air conditioner, check local electrical codes and the information below.

Your power supply must be the same A.C. voltage and frequency (hertz) as marked on the name plate located on the chassis. Only alternating current (A.C.), no direct current (D.C.), can be used.

An overloaded circuit will invariably cause malfunction or failure of the air conditioner; therefore, it is extremely important that the electrical power is adequate. Consult your dealer or power company if in doubt.

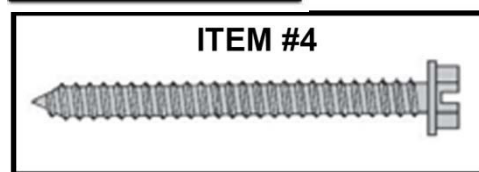
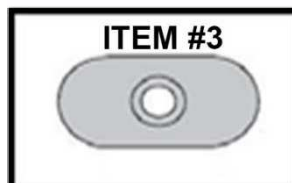
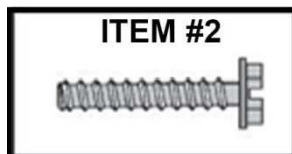
The following instructions are for HAZARDGARD models and cabinet sizes listed below.

GROUPS	CABINET SIZE (H x W X D)
SMALL CHASSIS SH15	15 15/16" x 25 15/16" x 27 3/8" (405 mm x 660 mm x 695 mm)
MEDIUM CHASSIS SH20, SH 24	17 15/16" x 25 15/16" x 27 3/8" (455 mm x 660 mm x 695 mm)

Model Number	Plug Type	Circuit Rating Time Delay Fuse
SH15	Junction Box	250V-15 Amp
SH20, SH24	Junction Box	250V-15 Amp, 250V-20 Amp

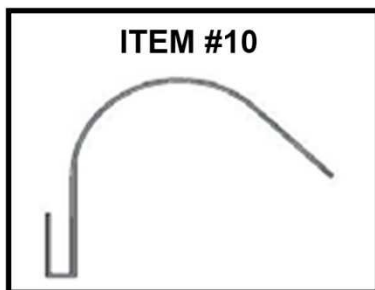
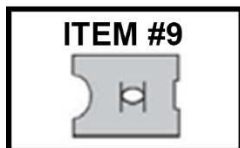
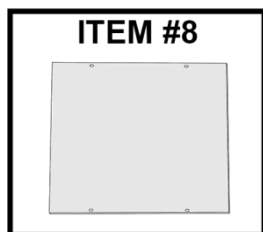
Window Mount Installation Hardware

ITEM No.	DESCRIPTION	QTY.
SHELL MOUNTING PARTS		
1	SUPPORT BRACKET	2
2	SCREW, 10 - 24 x 1" HEX HEAD	4
3	10 - 24 FLAT WELDNUT	4
4	SCREW, SHEET METAL #12A x 2"	7
WINGBOARD ANGLE MOUNTING		
5	WINGBOARD ANGLE, TOP	1
6	WINGBOARD ANGLE, SIDE	2
7	SCREW, SHEET METAL #8A x 3/8"	2
WINGBOARD MOUNTING PARTS		
8	WINGBOARD (MASONITE)	1
9	J TYPE SPEED NUT	4
10	WINGBOARD CLIP (SPRING STEEL)	4
11	SCREW, #8A x 1/2" PHILLIPS TRUSS HD.	4
WINDOW SEALING		
12	WINDOW SEAL GASKET (DARK FOAM)	1

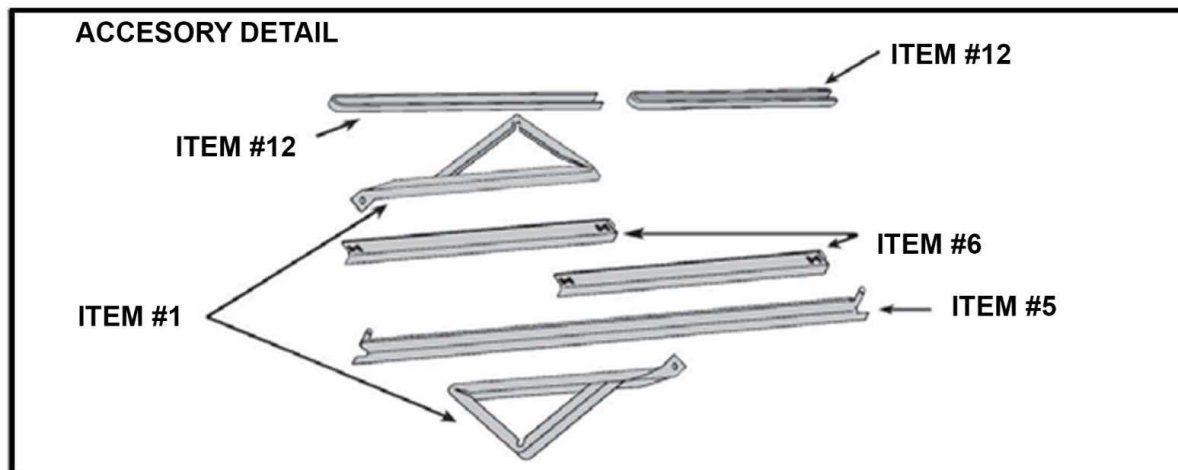


ITEM #5 SEE ACCESSORY DETAIL IMAGE

ITEM #6 SEE ACCESSORY DETAIL IMAGE

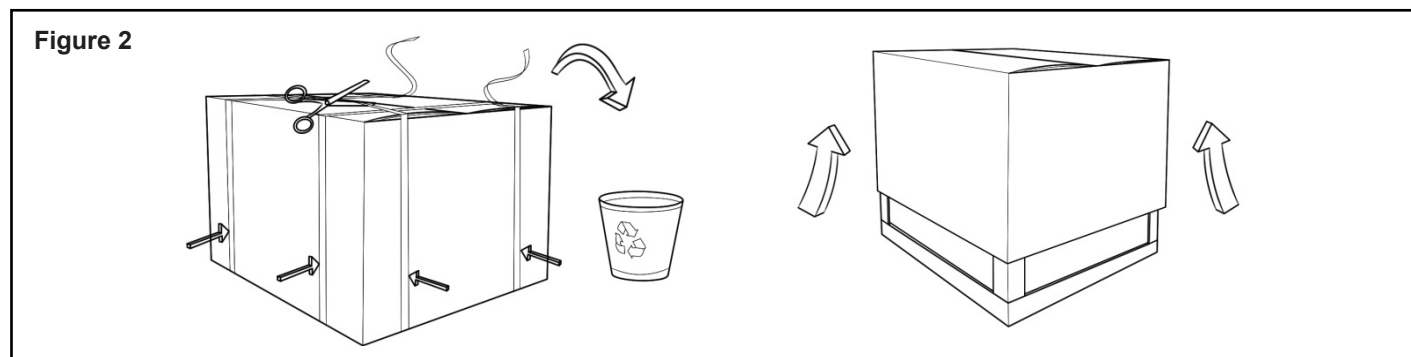


ITEM #12 SEE ACCESSORY DETAIL IMAGE



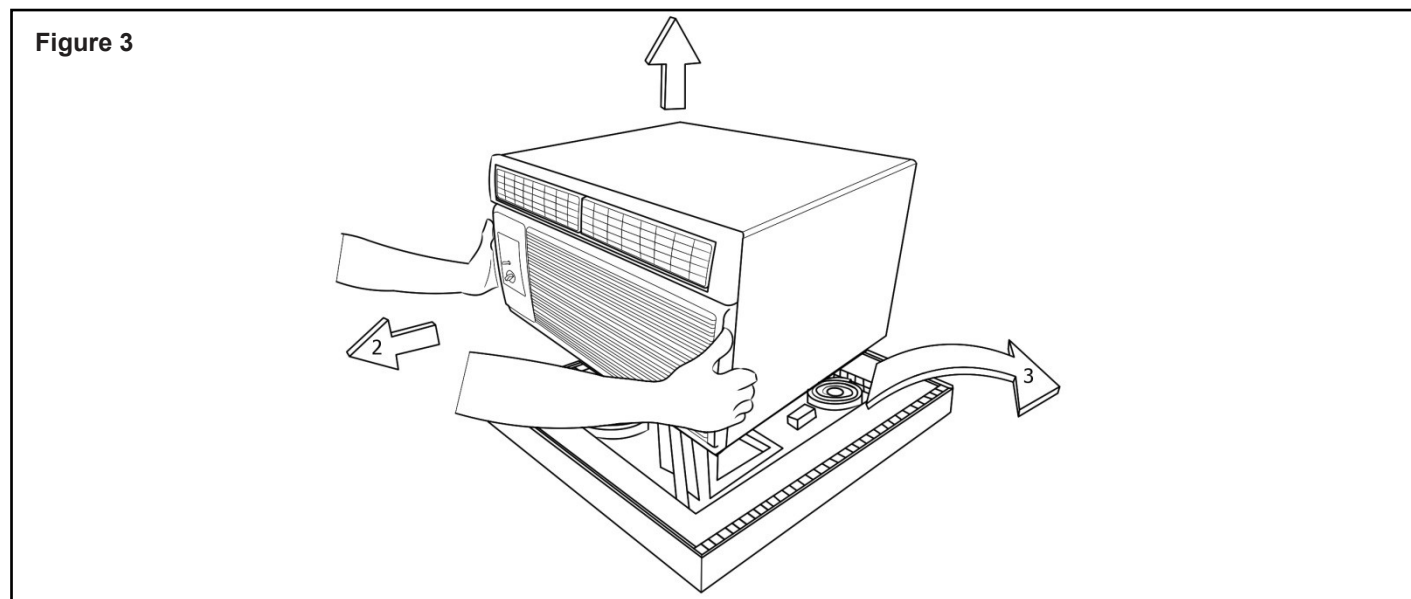
Unpacking The Unit

STEP 1 Cut the packing straps and remove box pulling it up, remove corner-post and protective packing, conserve the fiberboard wing board in a safe place, it will be used later.

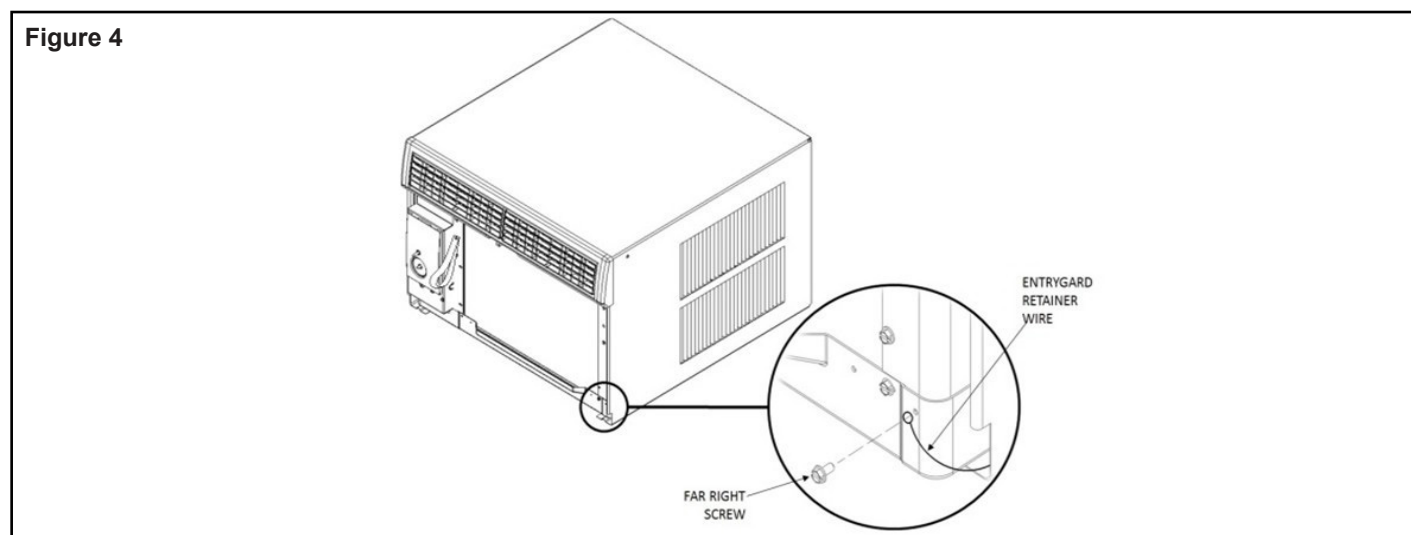


STEP 2 Remove decorative plastic return air grille to a safe area away from the unit.

STEP 3 Remove the installation hardware, two gaskets from beneath the unit, and place them in a safe area away from the unit.

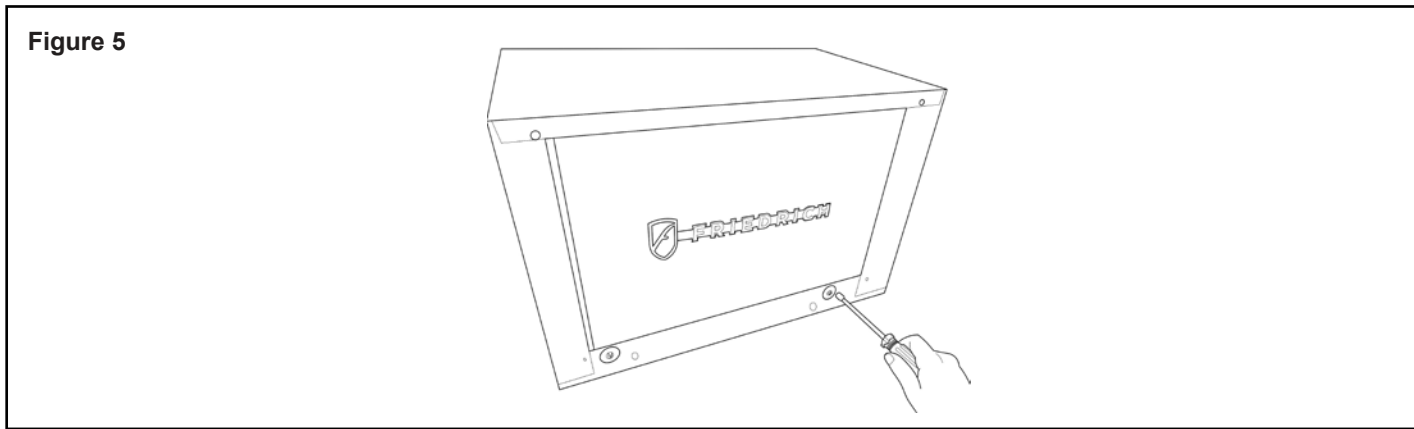


STEP 4 Remove the chassis retainer by removing the far right screw in the basepan (see Figure 4); save this screw to reattach the chassis retainer after installation.

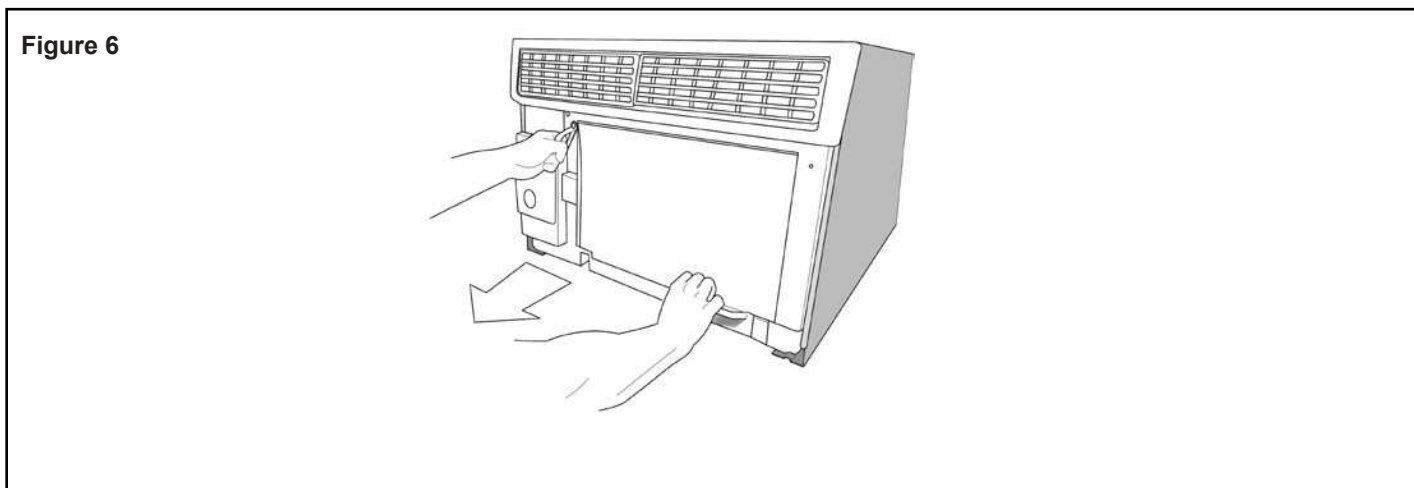


Unpacking The Unit

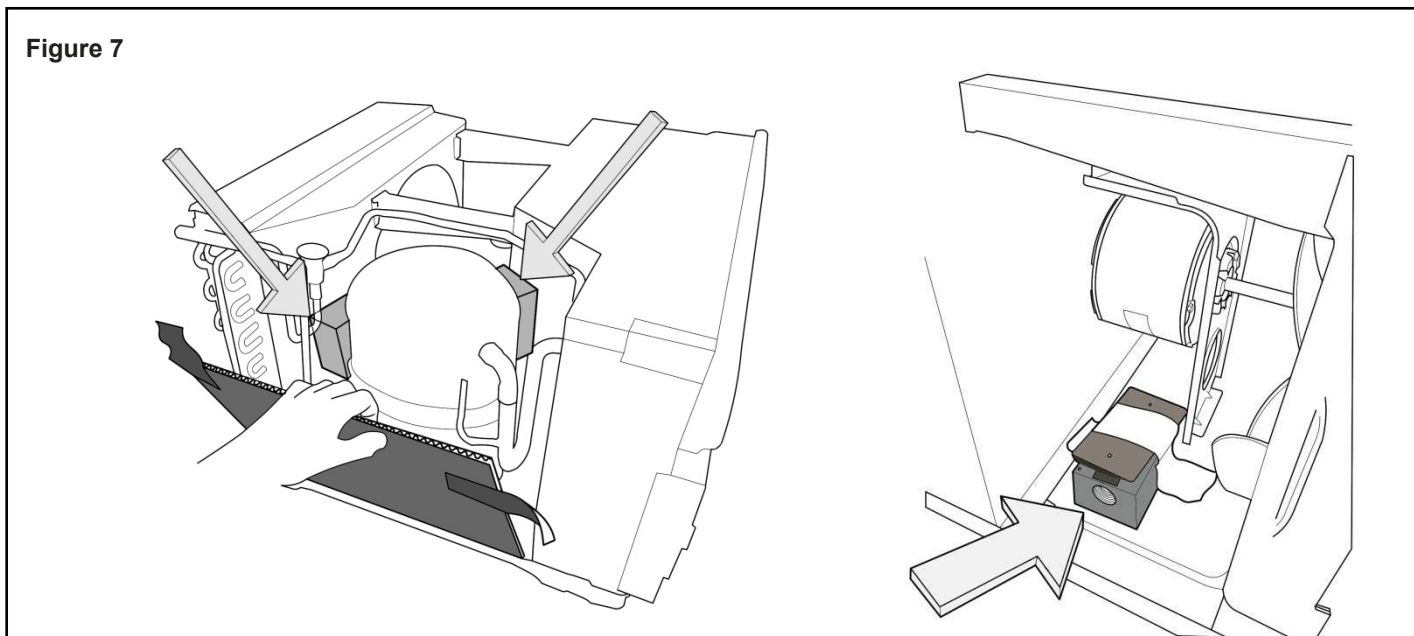
STEP 5 Remove and discard the two retainer screws and plastic bushings located at the rear of the unit. (Figure 5)



STEP 6 While an assistant holds the cabinet stationary, use the hand pull at the front of the base pan (see Figure 6) to pull the chassis out of the cabinet.



STEP 7 Remove white foam blocks used to restrain the compressor during shipment. Also remove junction box from under fan motor.



Installation: Outdoor/Indoor Clearances

Figure 8

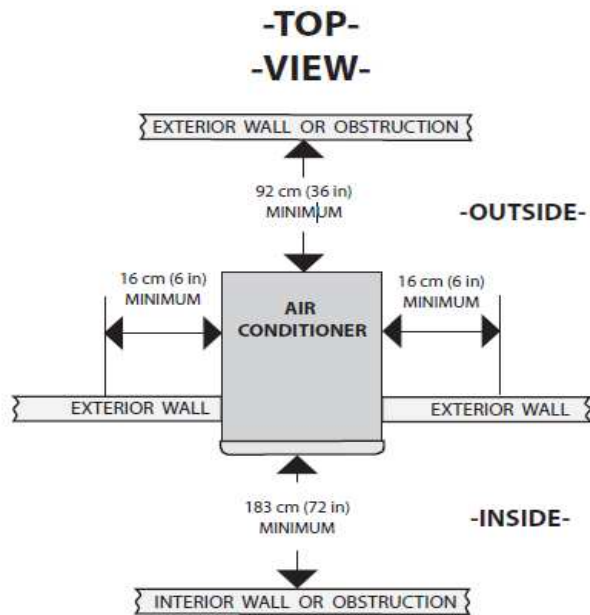
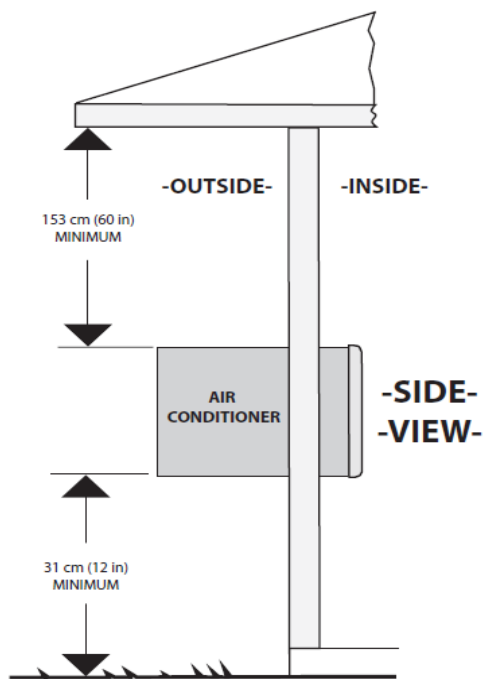


Figure 9



Shell Installation: Through-the-wall Installations (as unit is shipped)

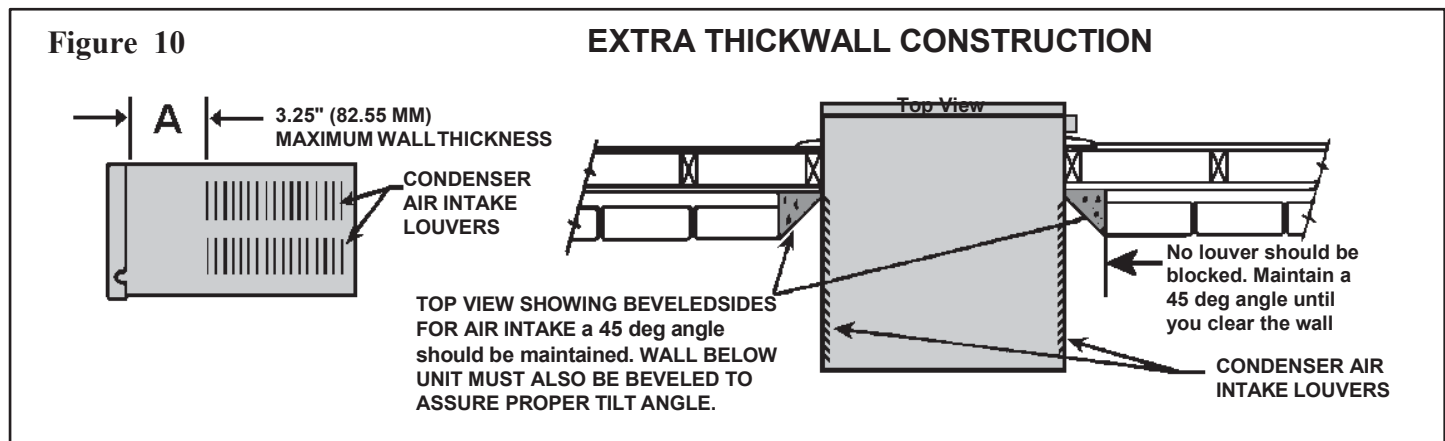
	WARNING
Falling Object Hazard	
Not following Installation Instructions for mounting your air conditioner can result in property damage, injury, or death.	
	

Wall Preparation

The maximum wall thickness permissible without special construction is determined by the model size to be installed. THE OUT-SIDE CABINET CONDENSER AIR INTAKE LOUVERS MUST NOT BE BLOCKED BY EXTENDING INSIDE THE WALL AREA. Observe the maximum wall thickness shown as dimension "A" in (Figure 10).

Special Instructions For Extra Thick Walls

For installation in walls exceeding the maximum thickness shown as dimension A, the following suggested construction may apply. (See Figure 10).

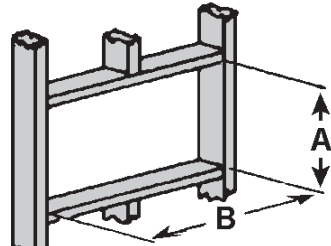


STEP 1 CHECKING WIRING AND PLUMBING: Check all wiring and plumbing inside and outside the wall to be sure none will be broken where the hole is to be cut.

STEP 2 HOLE CONSTRUCTION: Depending on the size of the unit to be installed, layout the hole dimensions in accordance with the chart below (See Figure 11). Cut and frame in the hole to the finished dimensions. Use 2" x 4" material for framing and follow the suggested typical installations in (Figure 12, 13 or 14 on Page 13).

NOTE: IF THE WALL CONSTRUCTION IS TYPICAL FRAME OR 2 X 4 STUDDING WITH BRICK OR STONE VENEERS, LOCATE THE HOLE NEXT TO ONE OF THE STUDS. FOR MASONRY, CONCRETE OR CINDER BLOCK WALLS, LOCATE THE HOLE FOR CONVENIENCE.

Figure 11



HOLE SIZE REQUIREMENTS

FINISHED DIMENSION	SH15 CHASSIS	SH20, SH24 CHASSIS
A	16-3/16"	18-3/16"
B	26-3/16"	26-3/16"

NOTE: THESE DIMENSIONS ARE FOR FINISHED HOLE SIZE

Figure 12

FRAME WALL CONSTRUCTION

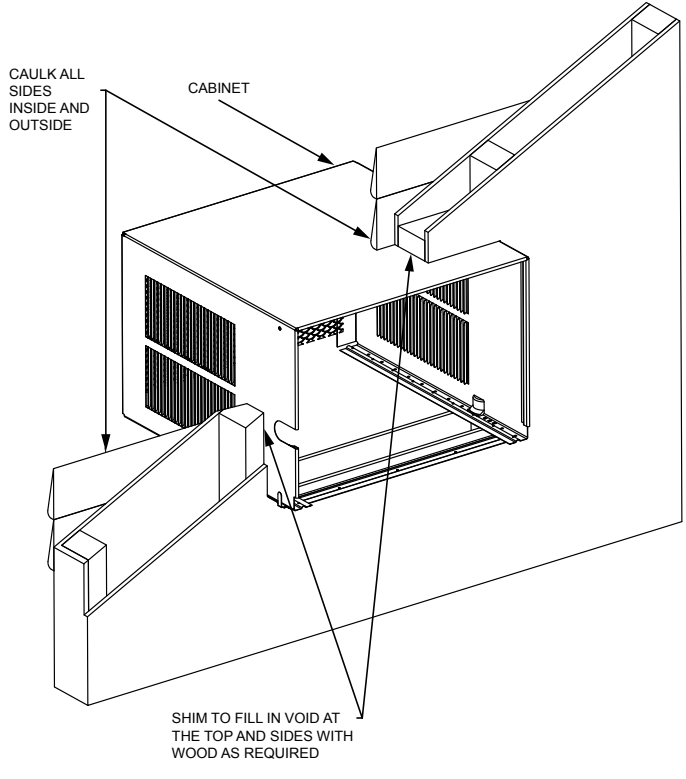


Figure 13

BRICK VENEER CONSTRUCTION

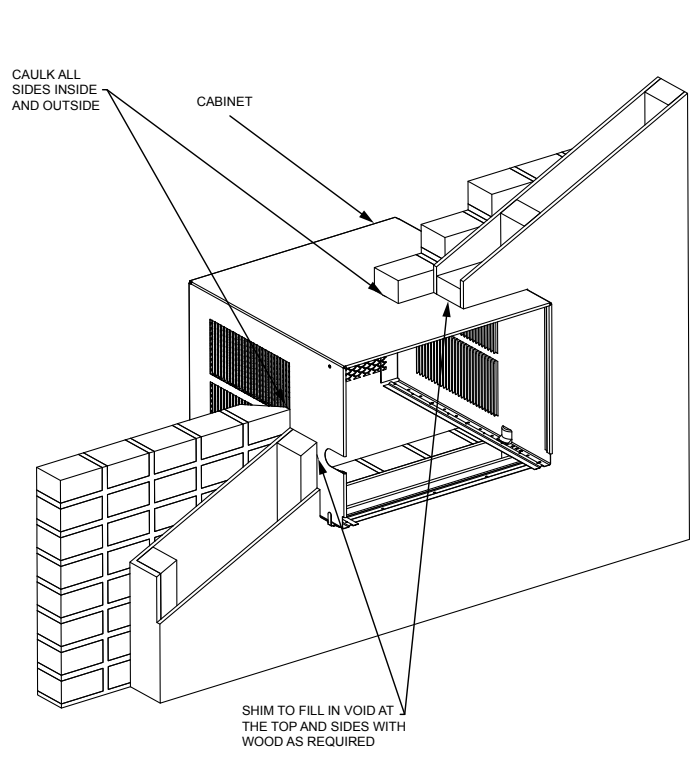
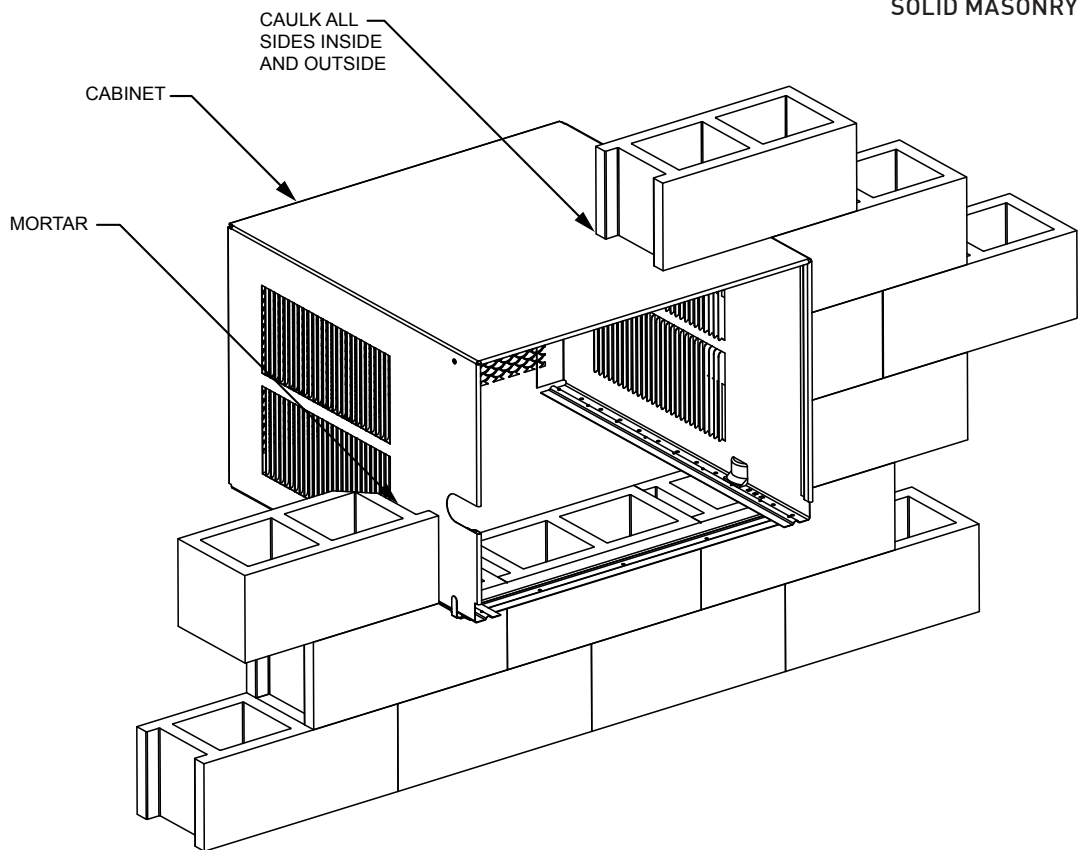


Figure 14

SOLID MASONRY CONSTRUCTION

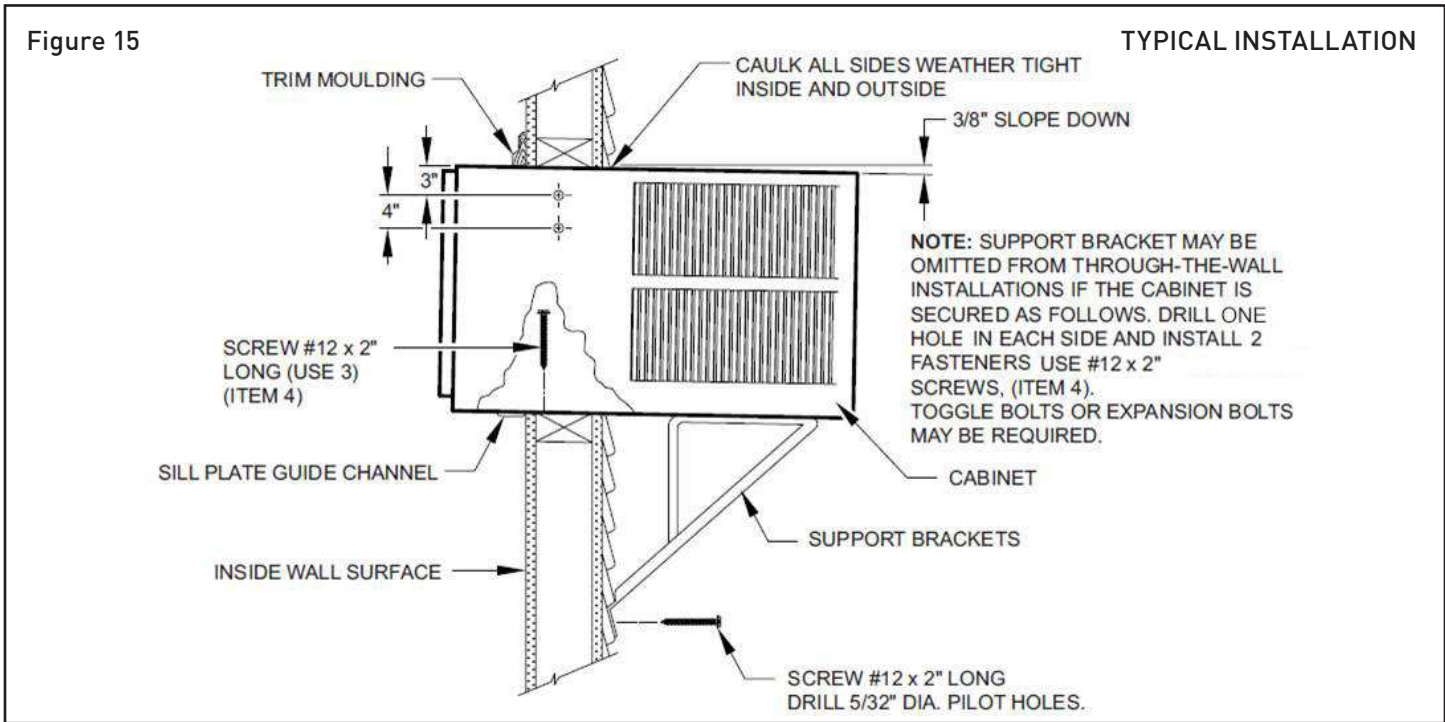


STEP 3 Slide the cabinet into the hole far enough to allow the guide-channel of the sill plate to contact the inside wall surface (See Figure 15).

STEP 4 Drill three (3) 5/32" diameter pilot holes through holes in sill-plate into the framing and install three (3) #12 x 2" long screws (Item #4) (See Figure15).

NOTICE

Instructions for mounting sleeve with slope must be observed to prevent entry of water into room. Potential property damage can occur if instructions are not followed.



NOTE: ALTERNATE FASTENERS WHICH MAY BE USED FOR SECURING THE SILL PLATE IN THE WALL, AND THE SUPPORT BRACKETS TO THE OUTSIDE WALL ARE NOT FURNISHED, BUT ARE AVAILABLE AT A LOCAL HARDWARE STORE.



MOLLY OR TOGGLE BOLT



EXPANSION ANCHOR BOLT

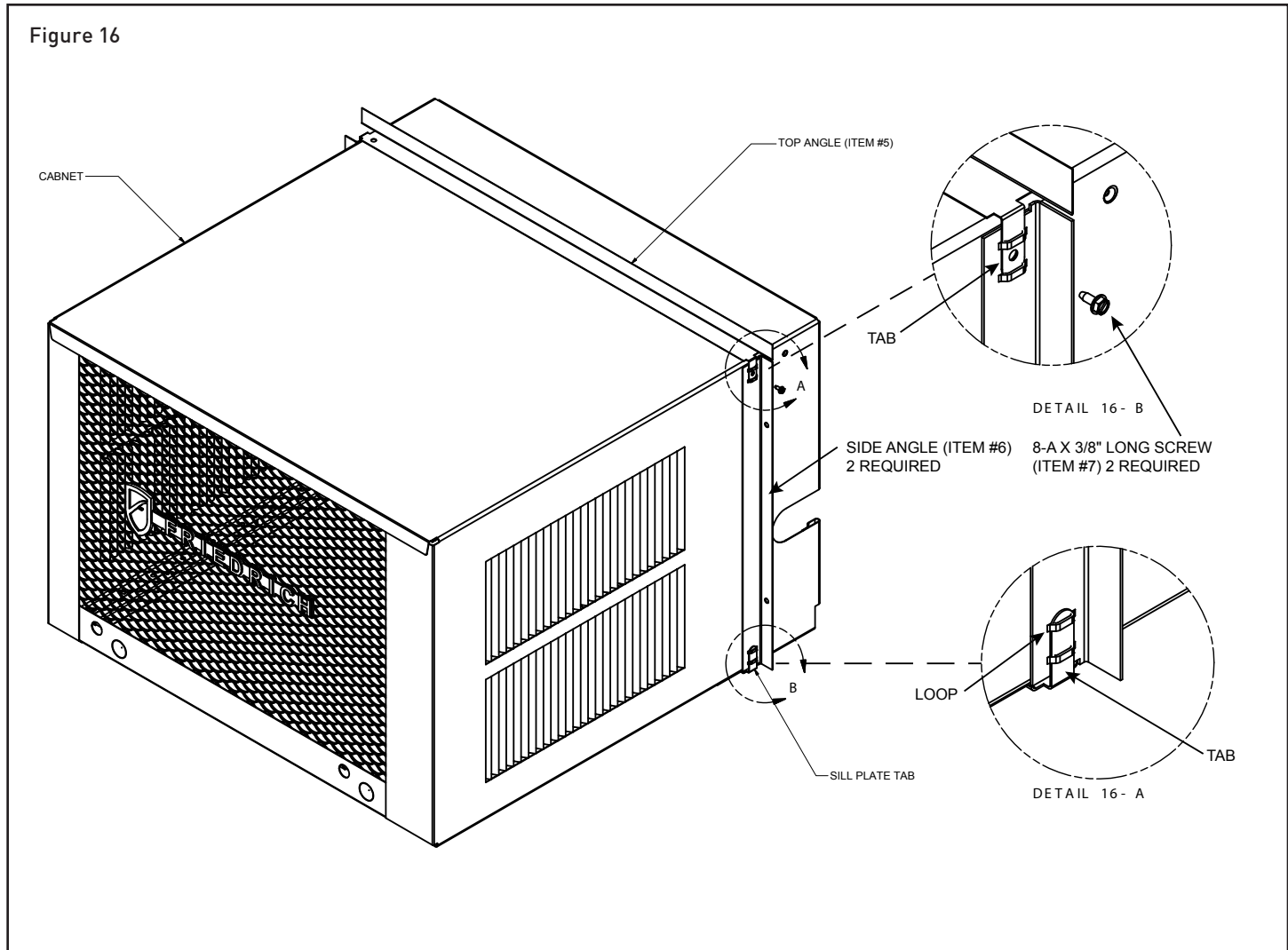
STEP 5 Drill two (2) 5/32" (4 mm) dia. pilot holes in each side at the locations shown (Figure 15) and install four (4) #12 x 2" screws (Item #4). If the hole construction in Step 2 provides a sturdy mount with solid vertical studs, no support brackets are required. The installation must support the weight of the unit plus an additional weight of 400 pounds (185 kg) on the rear of the cabinet. The support brackets may be used for through-the-wall installations as shown in (Figure 15), for additional support.

STEP 6 If desired, trim around the cabinet on the room side with a suitable frame molding furnished by the installer (See Figure 15).

STEP 7 Skip to chassis wiring and preparation on page 21 for Non ATEX or page 23 for ATEX and IECEx.

Shell (Cabinet) Preparation for Installation

- STEP 1 Remove still plate and bend the taps up and reinstall. See (DETAIL 16-A).
- STEP 2 Take the side angles (item #6) and engage its loops in the tabs (both sides) of the sill plate. (DETAIL 16-A).
- STEP 3 Take the top Flange (item #5) and engage its tabs in the top loops of the side flanges (DETAIL 16-B).
- STEP 4 Install two (2) screws (Item #7) to secure the top angle tabs and the side angle in the side of the cabinet (Detail 16-B).



Shell Installation: Sash Window Installations

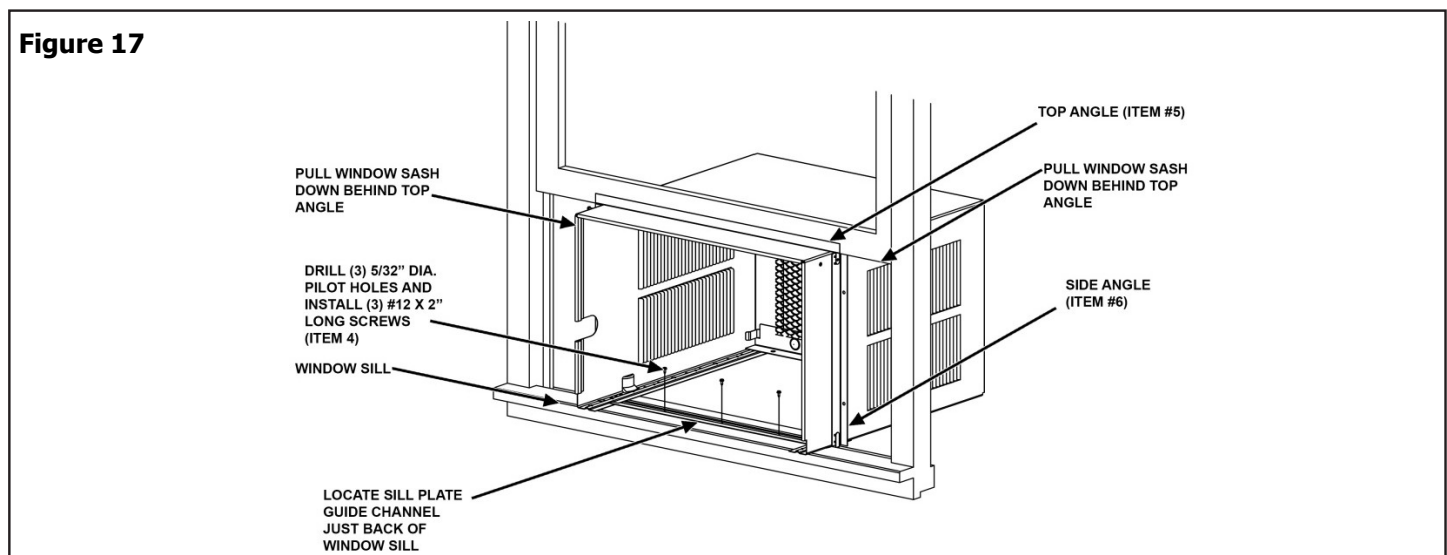
⚠ WARNING

Falling Object Hazard

Not following Installation Instructions for mounting your air conditioner can result in property damage, injury, or death.

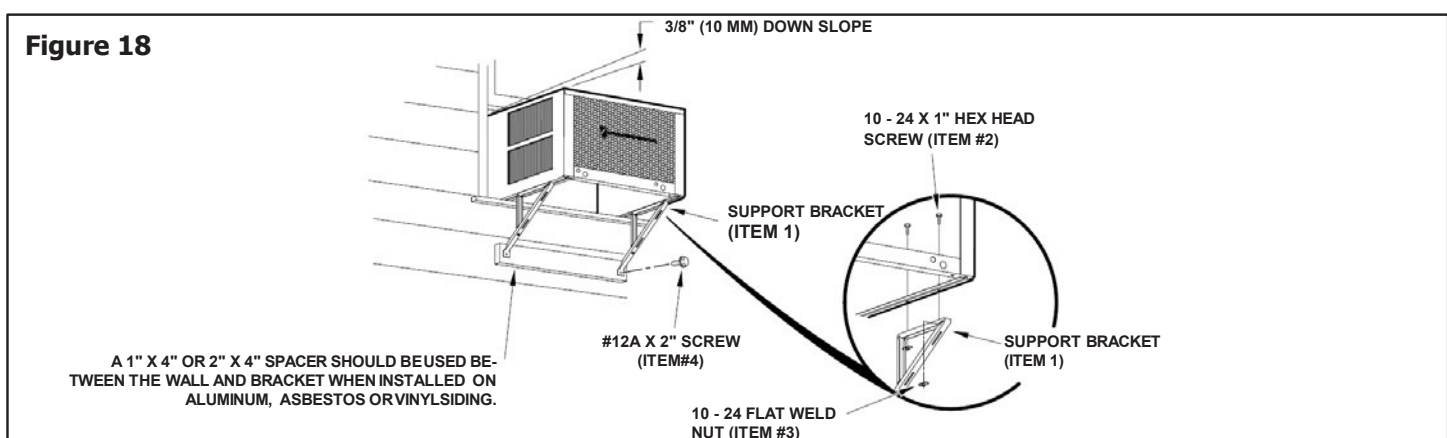


- STEP 1 Check the window sill and frame to be sure they are in good condition and firmly anchored to the wall. Repair if necessary.
- STEP 2 **CABINET MOUNTING:** Raise the lower window sash 1/4" more than the height of the cabinet. Carefully slide the cabinet through the open window until the sill plate channel rests behind the window sill and the top support angle (Item #5) rests against the window (See Figure 17). Center the cabinet side to side and drill three (3) 5/32" diameter pilot holes into the window sill using the holes in the cabinet sill plate as a guide. Install three (3) #12A x 2" long screws (Item #4) (See Figure 17).



- STEP 3 **OUTSIDE SUPPORT MOUNTING:** Assemble the support brackets (Item #1) to the bottom rails of the cabinet with four (4) 10-24 1" long screws (Item #2) and four (4) 10-24 flat nuts (Item #3). Adjust the support brackets to bring the bottom pads in contact with the wall surface. (See Figure 18.)

A 1" x 4" or 2" x 4" SPACER SHOULD BE USED BETWEEN THE WALL AND THE SUPPORT BRACKETS WHEN INSTALLED ON ALUMINUM OR VINYL SIDING). Drill 5/32" (4 mm) diameter pilot holes, and secure the brackets to the wall with two (2) #12A x 2" long screws (Item #4). Adjust the support brackets to provide an approximate 3/8" (10 mm) down slope towards the outside for drainage. Tighten all screws. (See Figure 18).



Typical Installation: Sill Plate

The illustrations below show a standard frame construction installation as well as some suggested ways of adapting the support bracket to thick walls and large brick ledges.

NOTICE

Instructions for mounting sleeve with slope must be observed to prevent entry of water into room.

Failure to follow instructions can result in property damage.

Figure 19

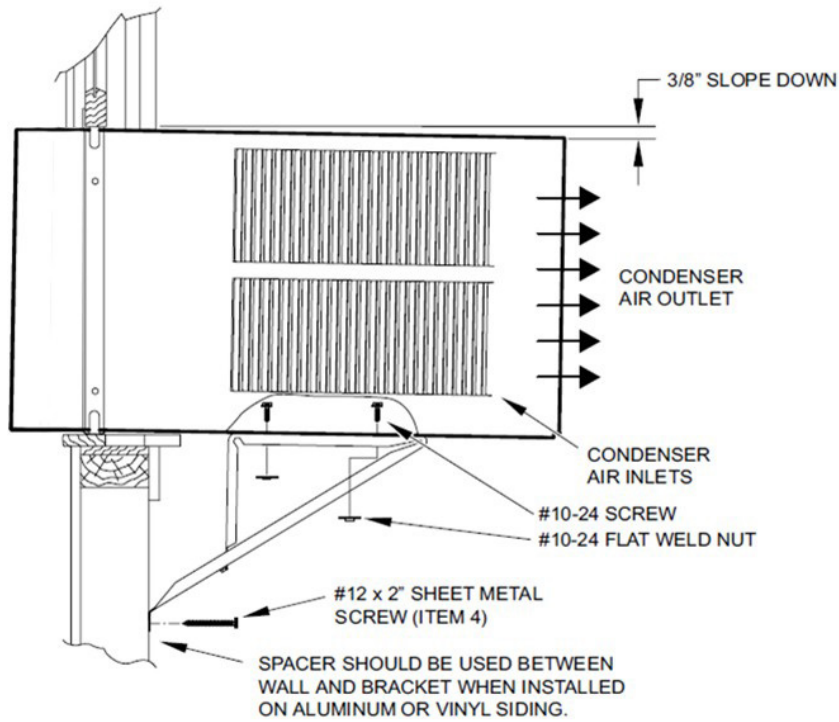
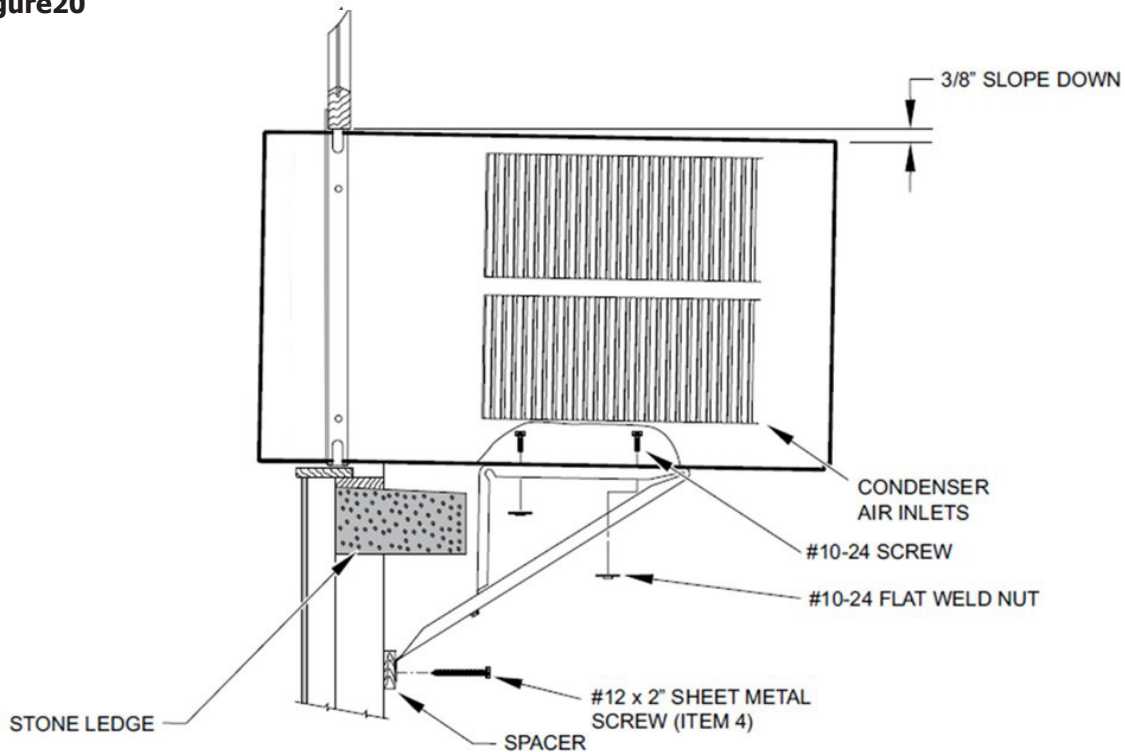


Figure 20



Typical Installation: Sill Plate (cont.)

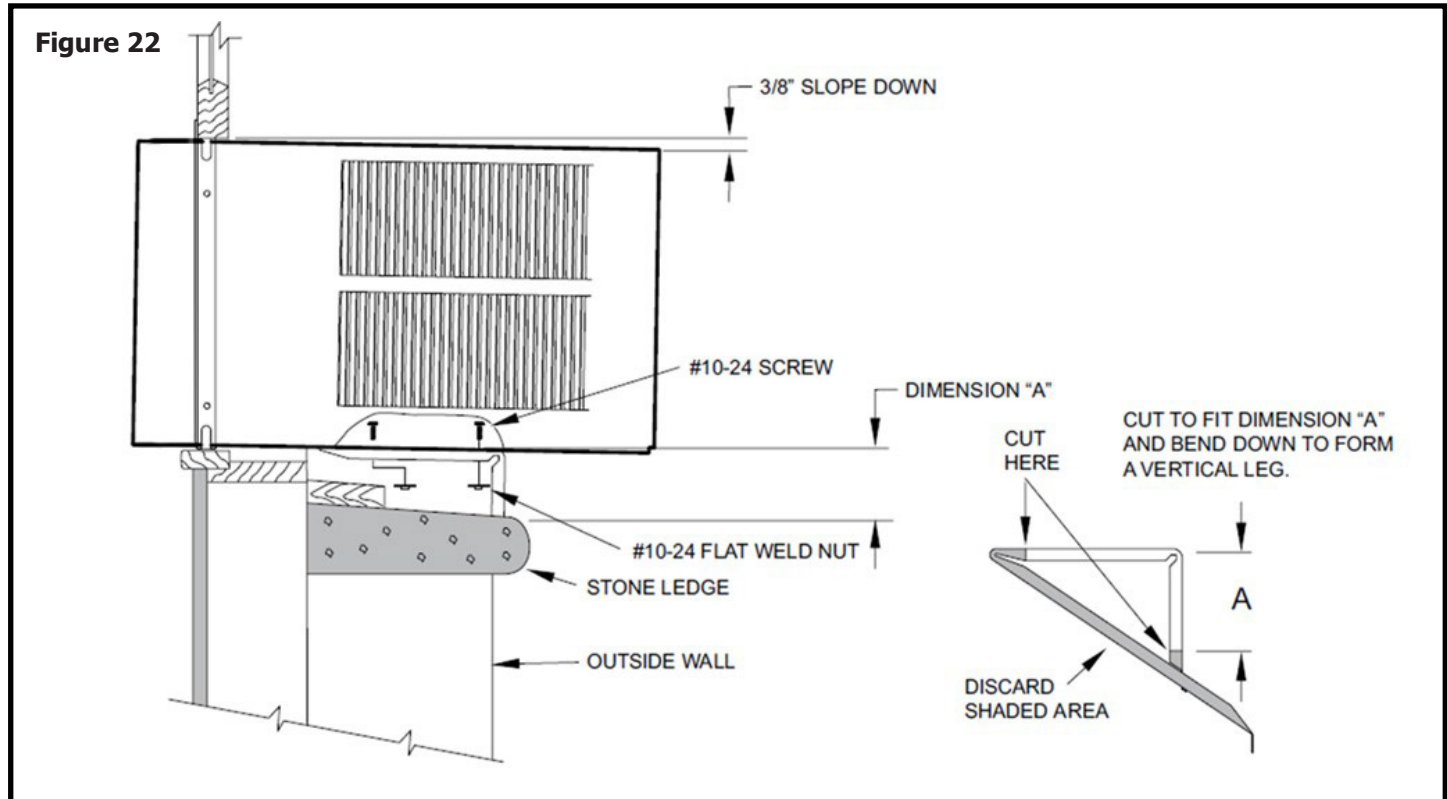
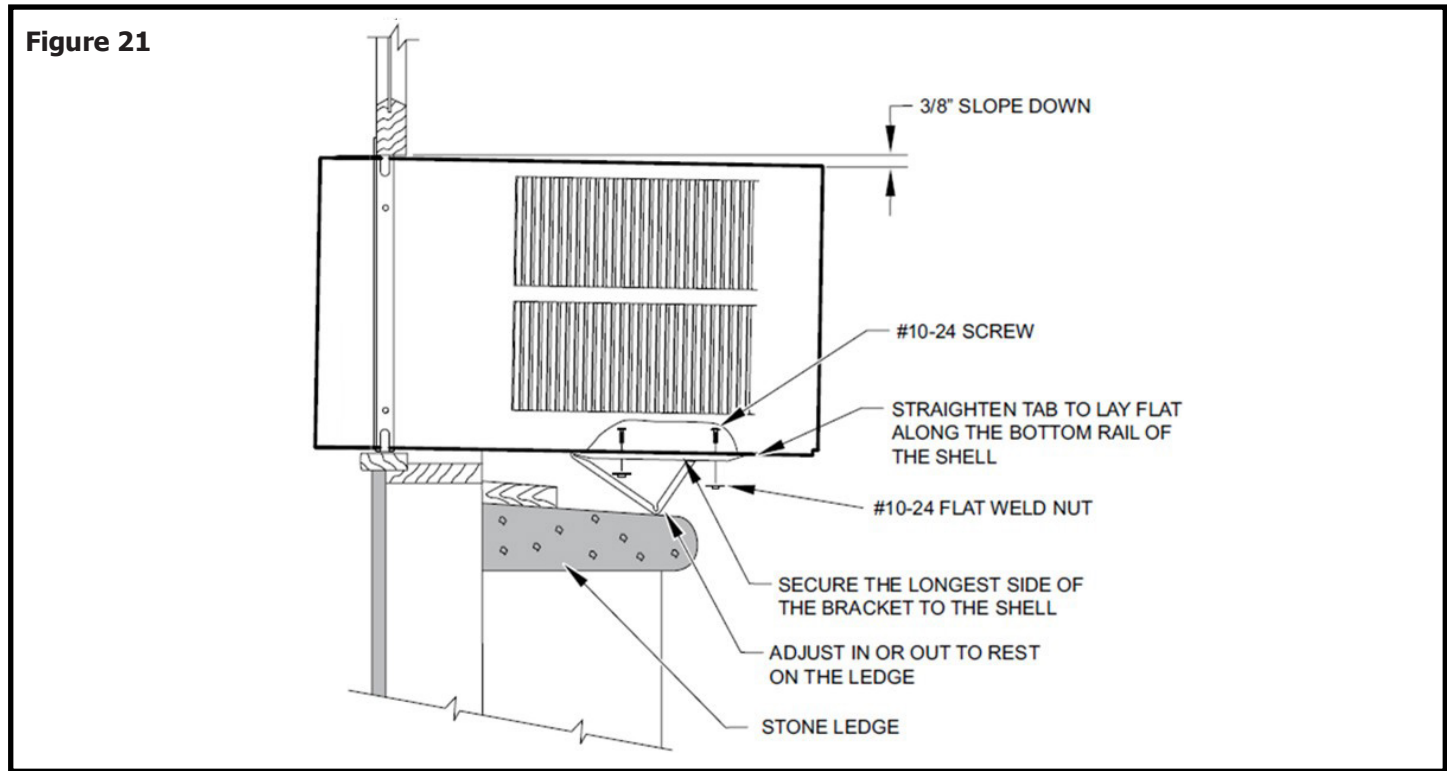
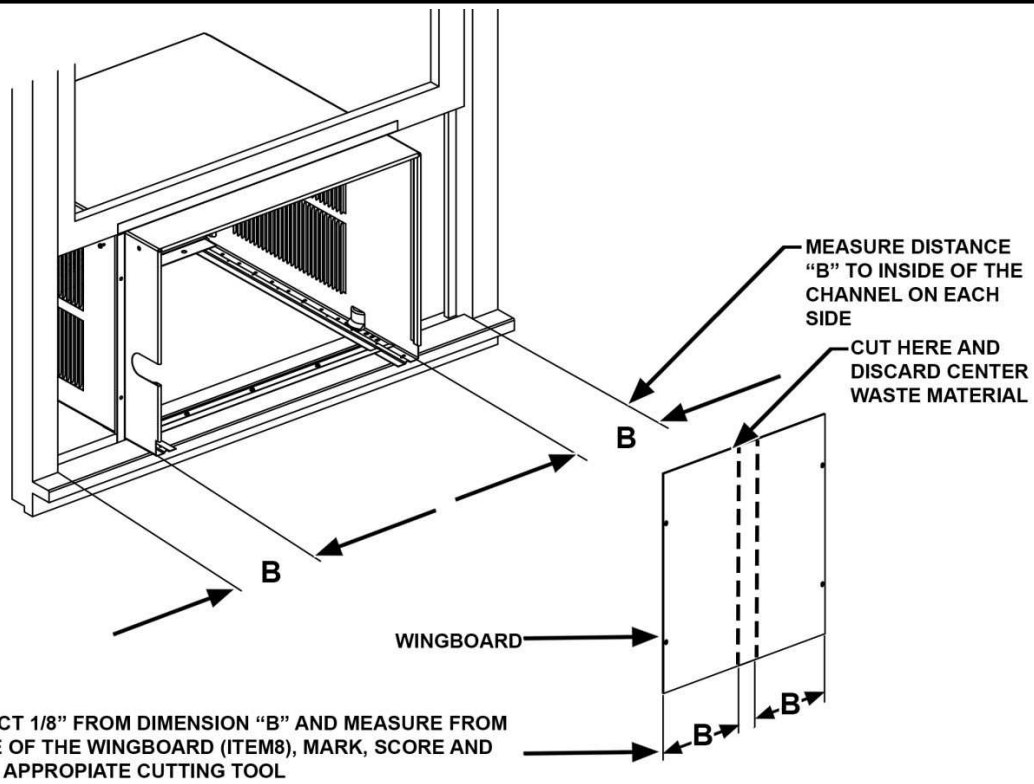


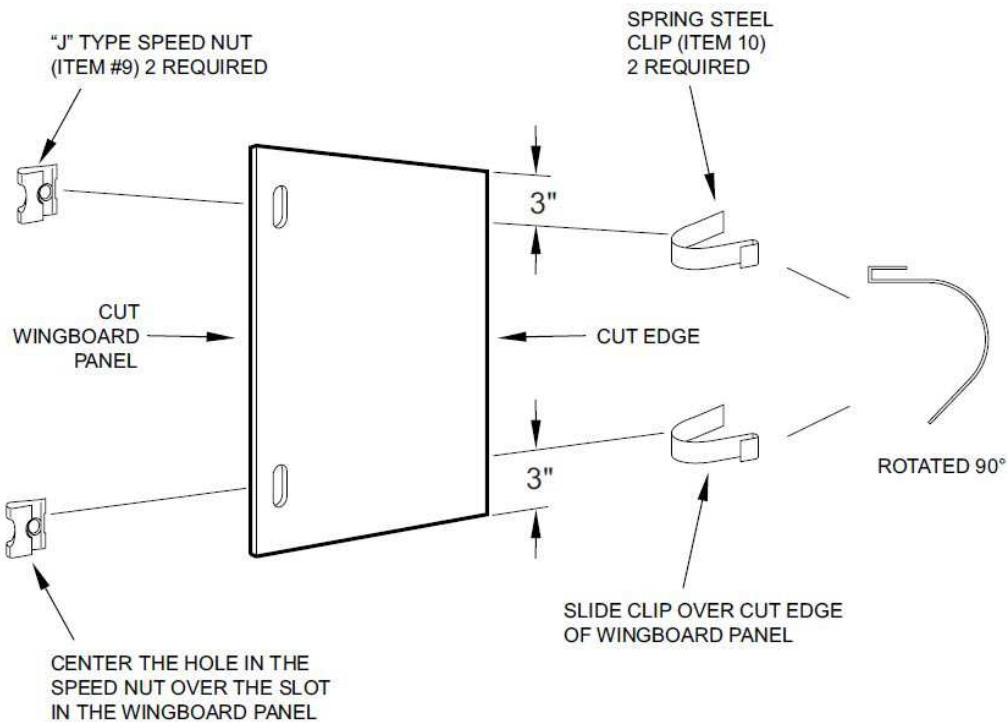
Figure 23



STEP 4 CUT WINGBOARD PANELS: Measure and cut the wingboard panels from the supplied masonite (Item #8) to fit the spaces between the side window channels and the sides of the cabinet (See Figure 23).

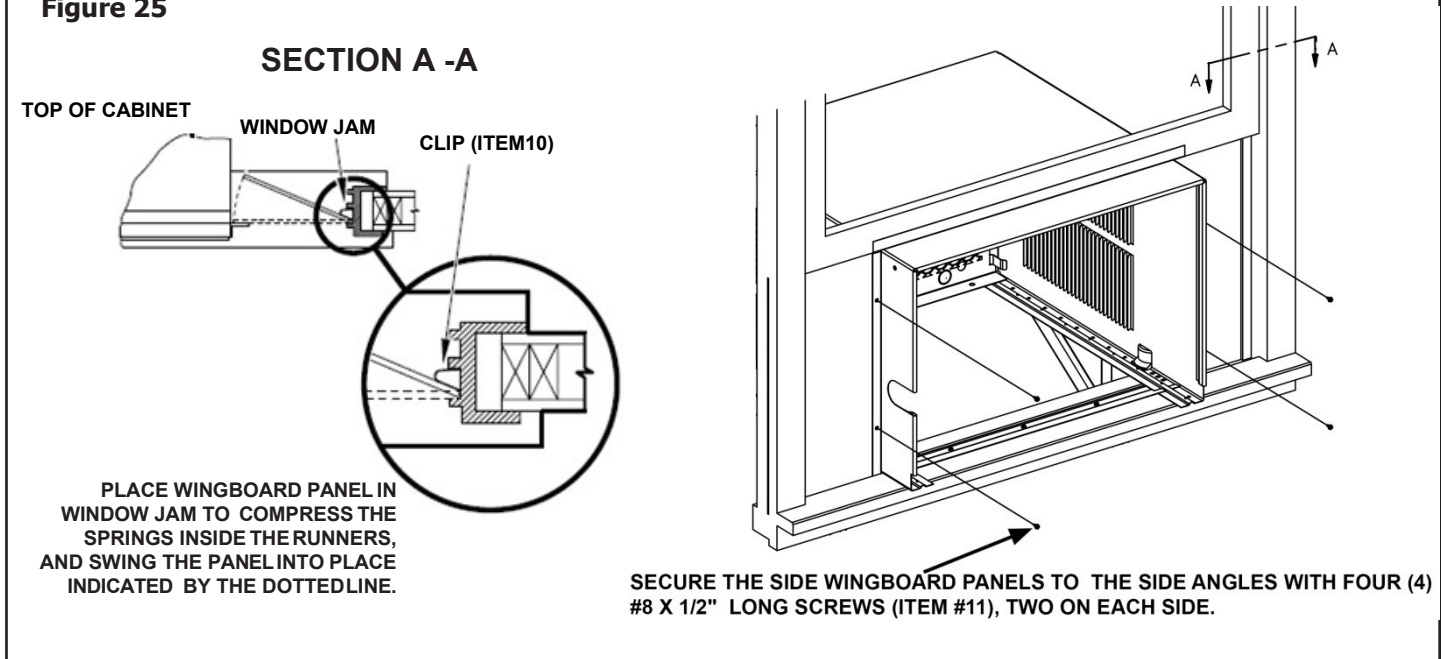
NOTE: AFTER CUTTING PANELS, MAKE A TRIAL TEST TO SEE IF THEY FIT THE SPACE WITH ABOUT 1/8" CLEARANCE BEFORE GOING TO STEP 5.

Figure 24



STEP 5 ASSEMBLE CLIPS TO WINGBOARD PANELS: Assemble "J" type speed nuts (Item #9) and spring steel clips (Item #10) to the edges of the cut wingboard panels (See Figure 24).

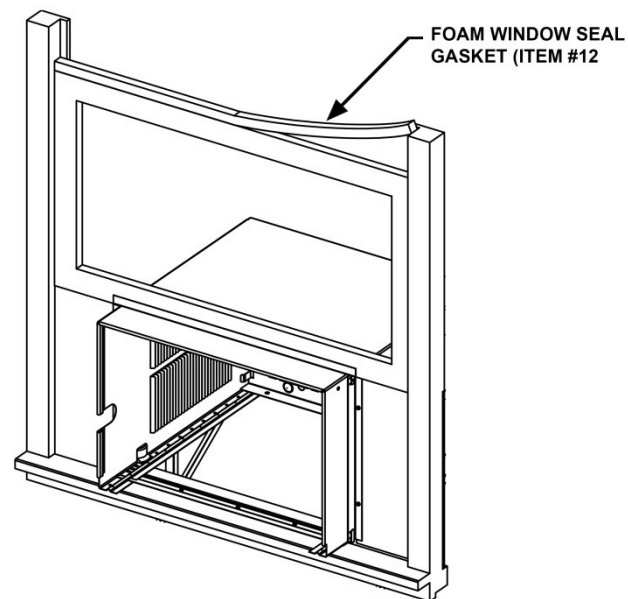
Figure 25



STEP 6 INSTALL SIDE WINGBOARD PANELS: Be sure that the cabinet has been secured to the window sill and the outside support brackets have been installed as shown in (Figures 19 and 20) on Page 17. Raise the window sash and install the right and left side wingboard panels (See Figure 25).

STEP 7 INSTALL WINDOW SEALING GASKETS: Measure and cut the dark foam window seal gasket (Item#12) and install it between the upper glass panel and the top part of the lower sash (Figure 26).

Figure 26



NOTE FOR REASONS OF SECURITY, THE CUSTOMER MUST PROVIDE A MEANS OF PREVENTING THE WINDOW FROM OPENING.

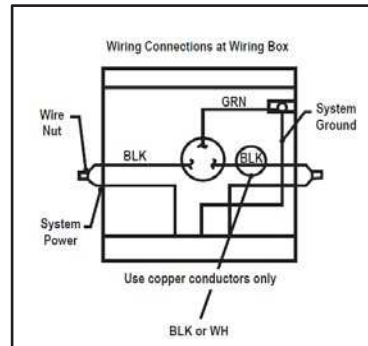
STEP 8 When possible, caulk the outside of the installation with industrial type caulking to prevent air and water leaks.

STEP 9 Skip to chassis wiring and preparation on page 21 for Non ATEX or page 23 for ATEX and IECEx.

Chassis Wiring and Preparation (Non ATEX)

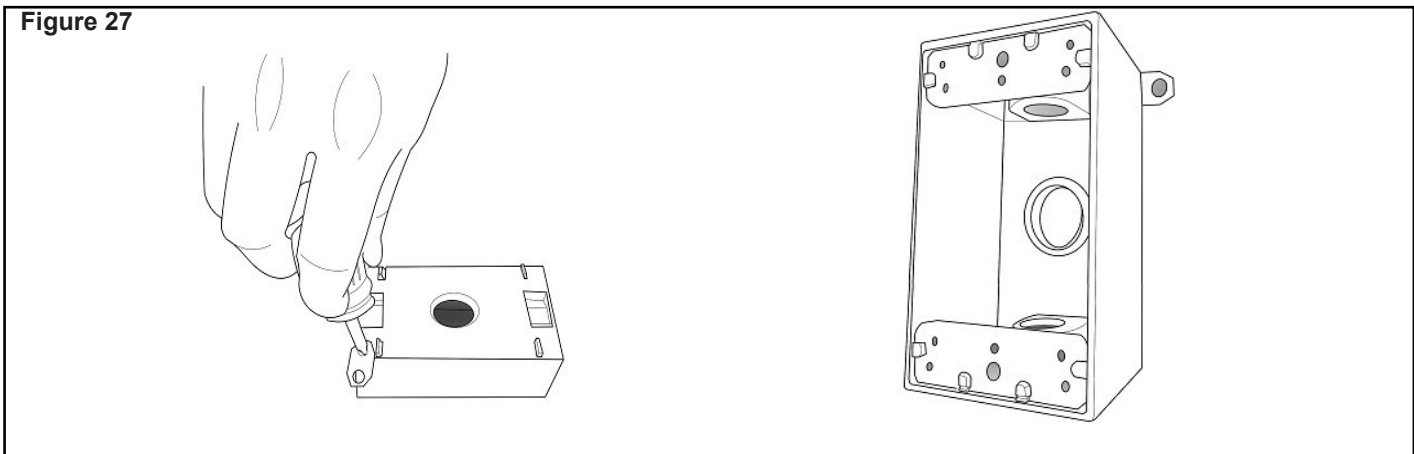
PROVIDED HARDWARE

- 1 JUNCTION BOX
- 2 MOUNTING LEGS
- 2 LEG SCREWS
- 2 HOLE COVERS
- 1 STAINLESS STEEL GROUND SCREW
- 2 SCREWS
- 1 SHEET METAL SCREW



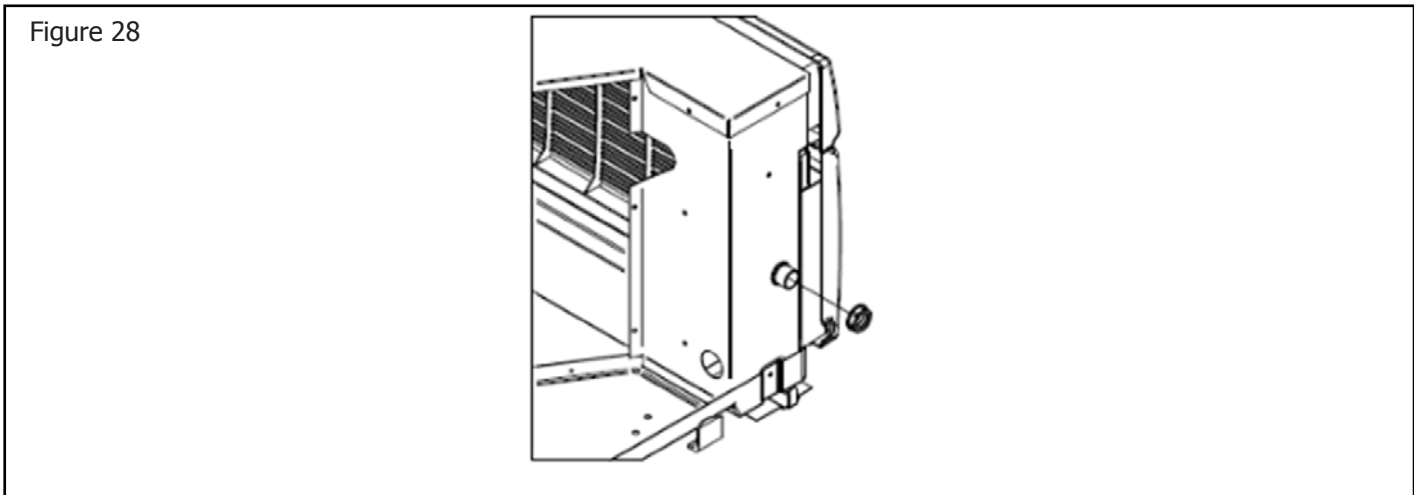
STEP1 Remove the junction box, cover and screws from the shipping position underneath the fan motor (See Figure 7). Install one junction box mounting leg in the upper left position facing the rear of the junction box. (Figure 27)

Figure 27



STEP2 Remove and discard the threaded bushing wire protector from the conduit connector on the side panel of the control compartment. Install field supplied cable gland as required. Strip the wires approximately 1/2 inch (13 mm).

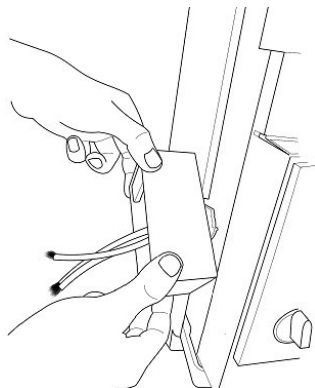
Figure 28



Chassis Wiring and Preparation

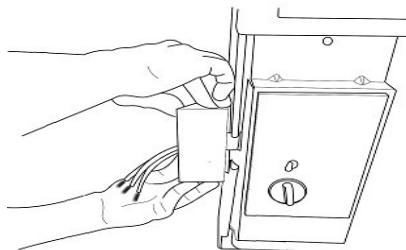
STEP 3 Insert all wires into the rear of the junction box and thread the box onto the threaded bushing until tight.

Figure 29



STEP 4 Back off clockwise until the junction box is vertical with the mounting leg at the upper-right position facing the box opening. Be sure that the shell can slide between this box and the chassis.

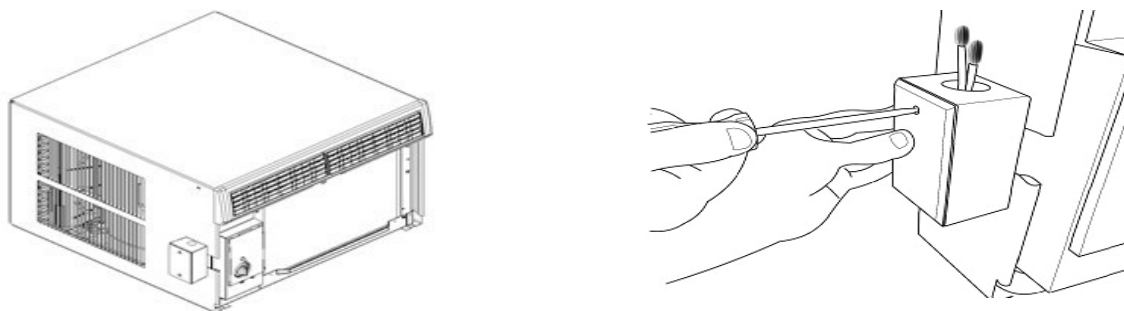
Figure 30



STEP 5 Insert the unit in the shell see Page 25 for help, be sure that the shell can slide between junction box and the chassis.

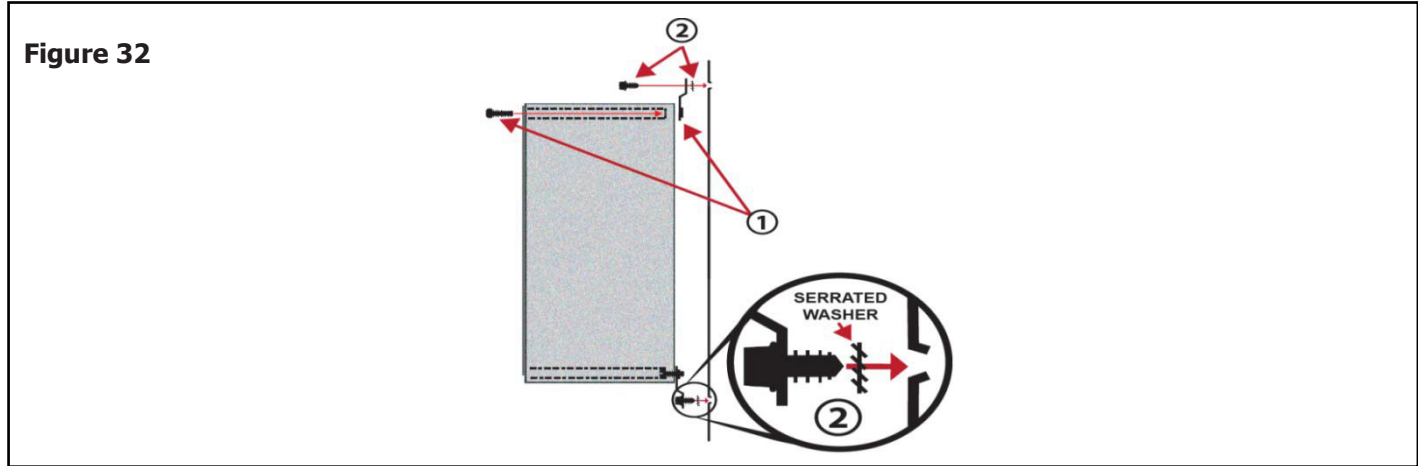
NOTE: Field wiring conductors to be copper and a minimum of 12 AWG. Complete junction box wiring and cover to prevent ingress from dust and moisture. All wiring connections to the junction box are to be made with cable glands.

Figure 31



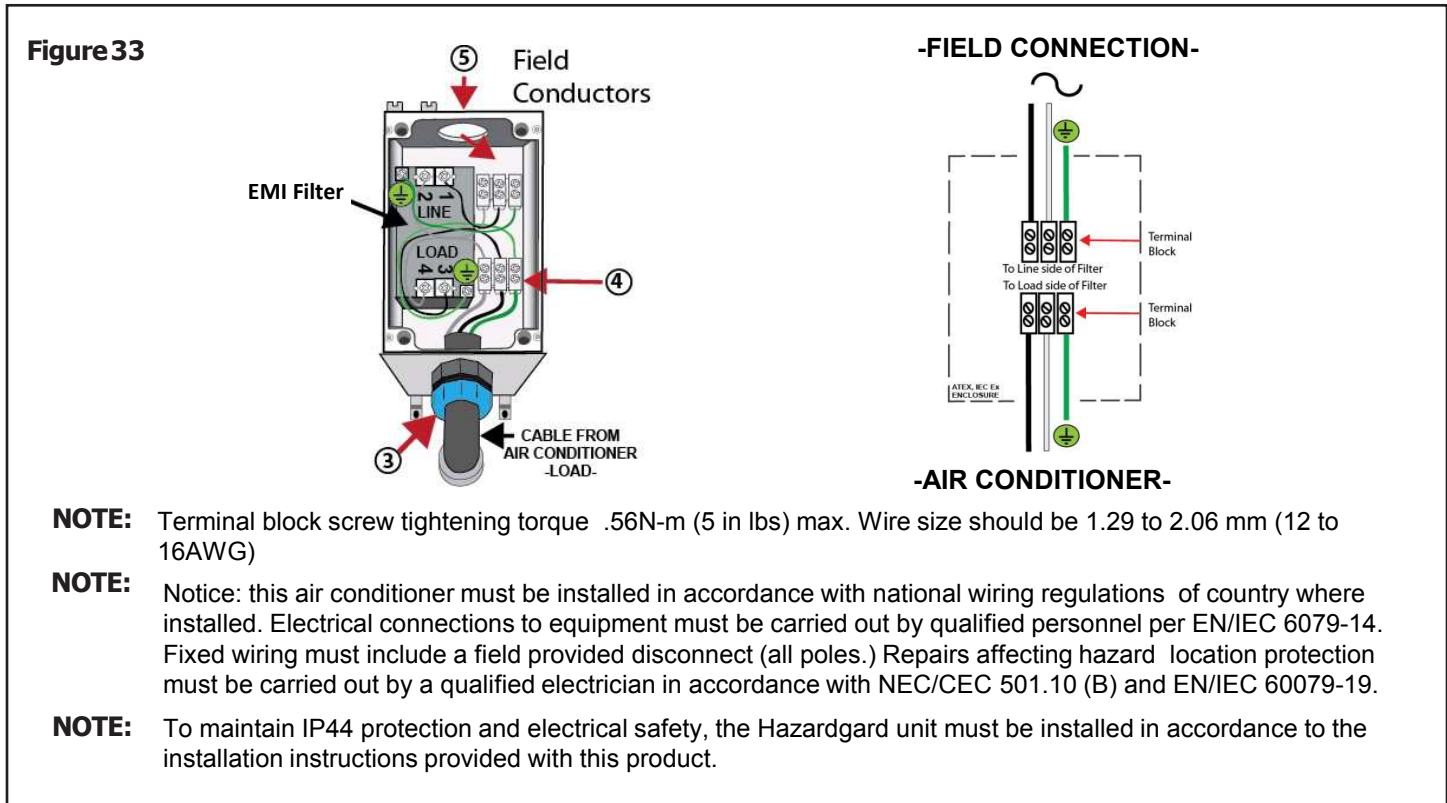
Chassis Wiring and Preparation (ATEX & IECEx Models)

STEP1 Remove the junction box from the shipping position underneath the fan motor (Figure 7). Install junction box mounting legs to back of the junction box using 4 provided machine screws (Figure 32-1). Mount junction box to provided holes on side of air conditioner sleeve using 4 provided sheet metal screws and 4 serrated washers. Ensure serrated washers are between legs of junction box and painted metal sleeve (figure 32-2).



STEP 2 Proceed to make the STEP 1 of the Chassis Installation (see page 25) then come back to STEP 3

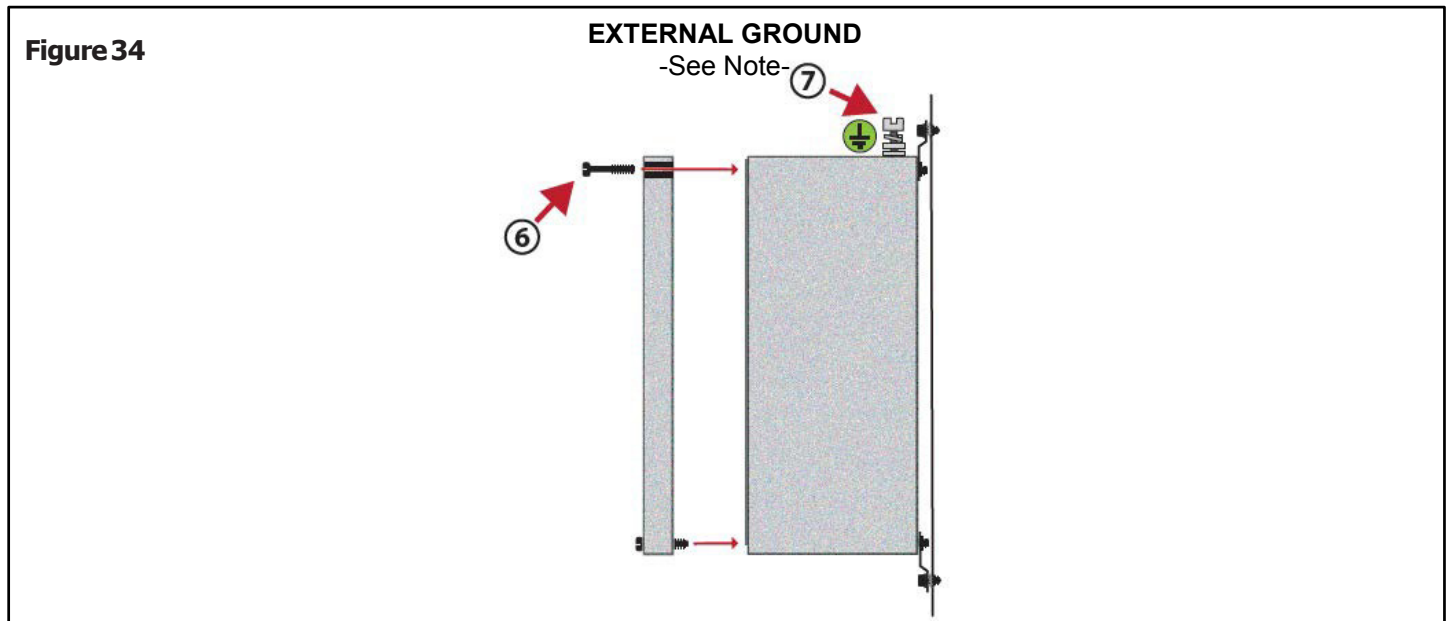
STEP 3 Insert air conditioner’s electric cable through provided cable gland on bottom of electrical junction box and tighten cable gland nut (see Item 3) torque to 15 N-m, 106 in-lbs. Strip the three electrical conductors approximately 6.35 mm (1/4 inch) install under provided terminal block LINE terminals and tighten (Item 4). Fixed field wiring must include a field provided disconnect (all poles). Provide fixed field wiring conductors and cable gland with a minimum IP44 rating. Connect wiring conductors under provided terminal block LOAD terminals and tighten (Item 5). Field conductors to be copper and a minimum 1.29 to 2.06 mm (16 to 12 AWG). Ensure both LINE, LOAD and GROUNDs are adequately secured to provided termination points.



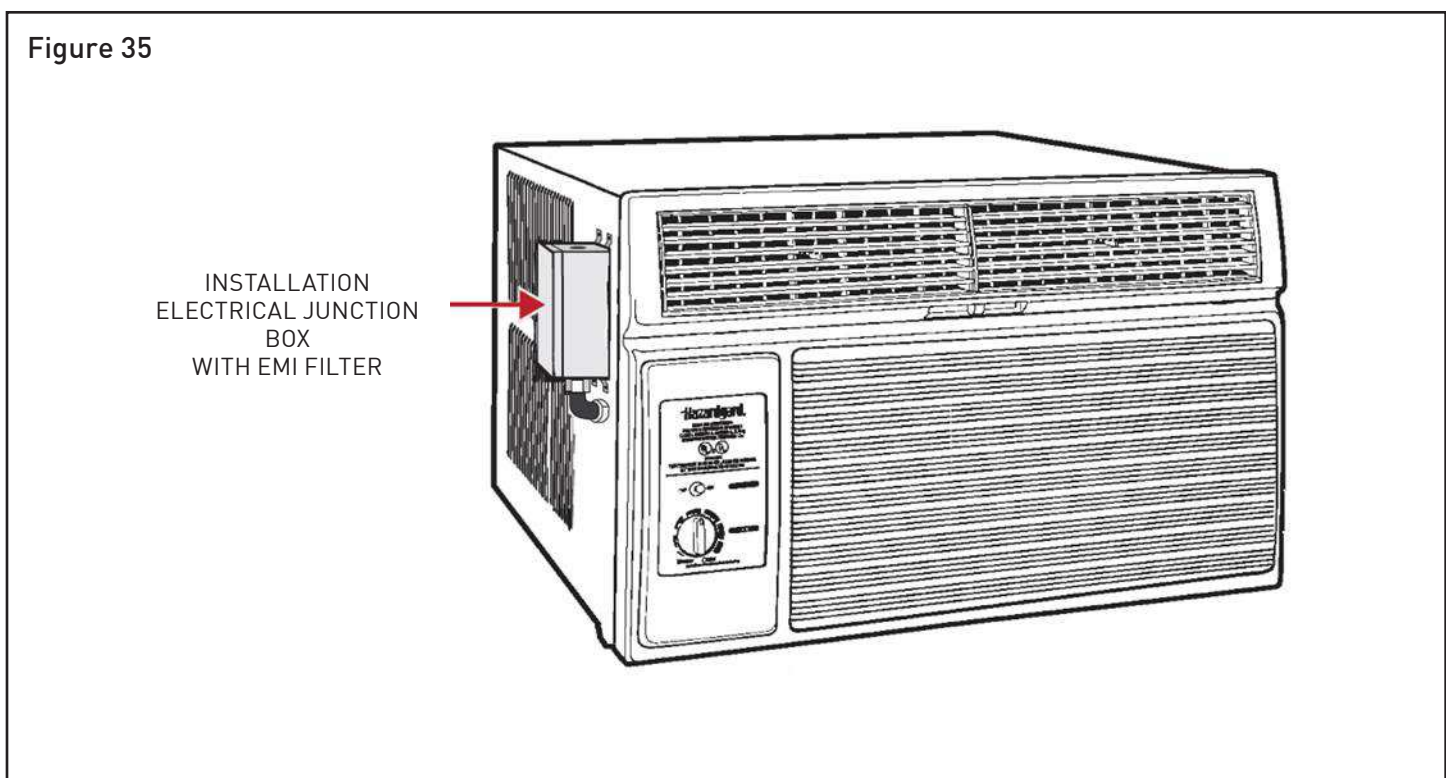
Chassis Wiring and Preparation (ATEX & IECEx Models)

STEP 4 Complete junction box wiring, cover and tighten cover screws (Figure 34-6) to prevent ingress from dust and moisture.
NOTE: Per EN/IEC 60079-0, external grounding or earthing may be necessary.

If required, use provided external ground clamp which can accept two cables of up to 6mm (Figure34-7).



NOTE: This air conditioner shall be installed in accordance with national wiring regulations of the country where installed. Electrical connections to equipment must only be carried out by qualified personnel per NEC/CEC 501.10 (B) EN/IEC 60079-14. Repairs affecting hazard location protection must be carried out by a qualified electrician in accordance with NEC/CEC 501.10 (B) EN/IEC 60079-19.



Chassis Installation

STEP1 Slide the chassis into the cabinet stopping approximately 3” from full insertion. Stuff the chassis seal gasket (Item #12) one inch deep between the chassis and the cabinet (Figure 36). Begin at either bottom corner and go up the side, across the top, and down the opposite side. Make sure that the gasket is behind the conduit connector (furthest from you). Push the chassis into the shell the remaining distance so that the plastic front shrouds the front edge of the shell. Fasten the junction box mounting foot to the shell with the sheet metal screw.

If chassis seal gasket is not installed, the operation of the unit will be negatively affected. Also, the operation noise and outside noise will be amplified.

CAUTION

Excessive Weight Hazard

Use two or more people when installing your air conditioner. Failure to do so can result in back or other injury.

CAUTION



Cut/Sever

Although great care has been taken to minimize sharp edges in the construction of your unit, use gloves or other hand protection when handling unit. Failure to do so can result in minor to moderate personal injury.

WARNING



Explosion Hazard



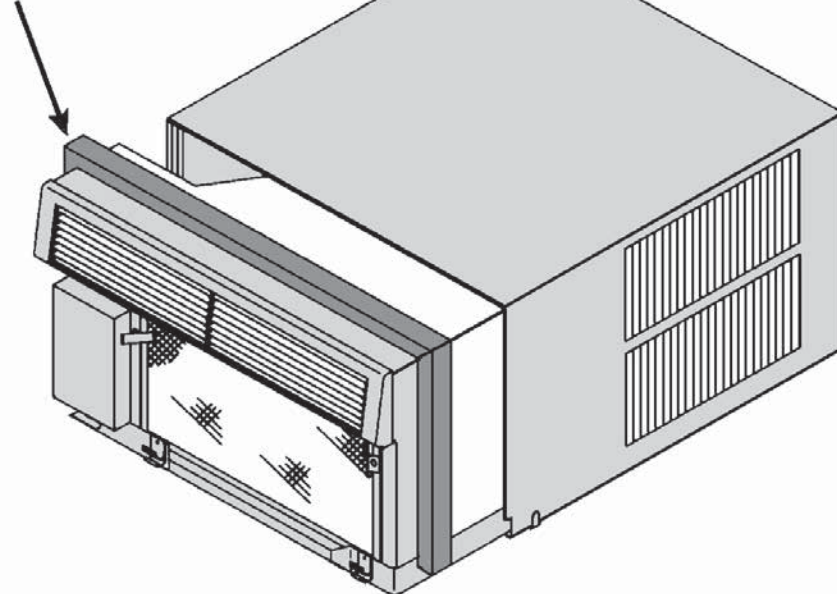
Electrical Shock Hazard

Electrically connect unit in accordance with NEC Code Article 501. Failure to do so can result in death, explosion, fire, or electrical shock.

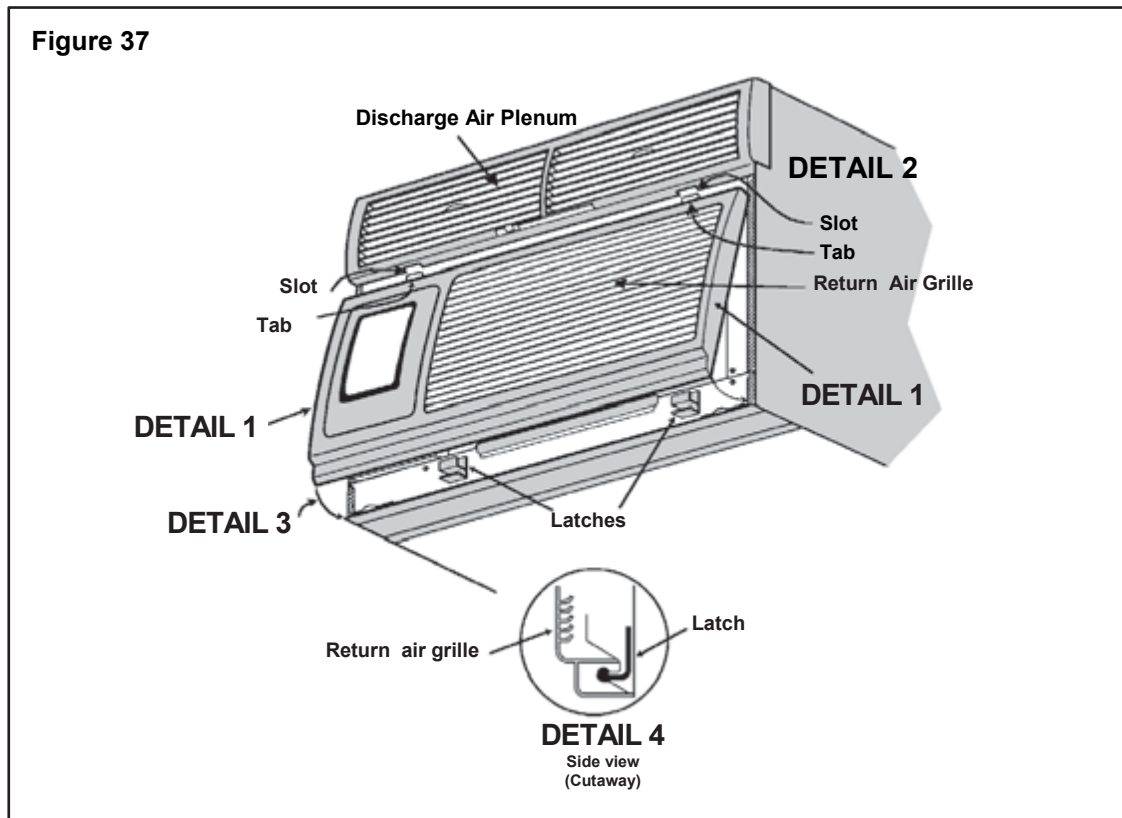
NOTE: Field wiring must be provided to this junction box in accordance with NATIONAL ELECTRIC CODE (NFPA 70, 2008 or current edition) ARTICLE 501. Field and equipment grounds are to be terminated at the post in the junction box with the green screw provided. Equipment power leads are to be connected with the field supply by means of wire nuts (not provided). Install the gasket and cover plate onto the junction box.

Figure 36

CHASSIS SEAL GASKET



STEP 2 Be sure that the filter is in place then install the return air grille (Figure 37). The top of the return air grille can be butted against the bottom of the discharge plenum. Snap the grille into place by pushing the grille up and onto the unit's latches at the bottom. (See Detail 37-4).



STEP 3 You have completed your installation. Conduct a review of your installation to insure that the unit is safely and securely installed.

End of Life

Customers are advised to ensure that the unit is disposed of in accordance with federal, state and local guidelines of their country. Contact your municipal department of public works to inquire about the procedures for collecting and disposing of refrigerated appliances / air conditioners in your neighborhood.

Maintenance Checklist

Won't Cool

If the unit operates, but doesn't cool, check to see that the controls are properly set. Inspect the filter and if needed, clean it thoroughly. Check to see if the chassis seal gasket is installed (refer to installation instructions).

Won't Run

If the unit does not operate at all, check that the power supply connections are present and tight. Check for blown fuses or tripped circuit breakers. Replace blown fuses with the proper size time-delay fuse. The nameplate on the unit shows the proper fuse size. After restoring power, wait three minutes before restarting the unit.

Inside Coil Freezes Up

Your Friedrich Hazardgard is designed not to freeze with outdoor temperatures as low as 45°F (7°C). Freezing should only occur when the outside air is damp and below 45°F (7°C). If the indoor coil should ice over while cooling, set the thermostat to the warmest position until the ice is gone. Setting the thermostat to a slightly warmer position will probably keep ice from forming on the coil. A dirty filter will contribute to coil icing.

Cleaning

The front grille of your Friedrich, as well as the complete cabinet may be cleaned with warm water and a mild detergent. The coils and base pan should be cleaned periodically for the most efficient operation. We suggest you call your Friedrich dealer for this service.

Lubrication

Fan motors are factory lubricated and sealed. No lubrication is required.



Friedrich Air Conditioning Company
10001 Reunion Place, Suite 500
San Antonio, TX 78216
800.541.6645
www.friedrich.com

HAZARDGARD[®] ROOM AIR CONDITIONERS LIMITED WARRANTY

LIMITED ONE YEAR PARTS WARRANTY

1. Limited warranty – One year. Friedrich warrants that it will provide a replacement for any part of this HazardGard Room Air Conditioner found defective in material or workmanship for a period of one (1) year from the date of original purchase.

2. Limited warranty – One year. The Friedrich warranty also covers the cost of labor for repairing any compressor, condenser, evaporator or inter-connecting tubing found defective within the warranty period, providing the unit is returned to an authorized Friedrich Repair Station located within the Continental United States.

The Friedrich warranty does not cover:

(1) Any charges for removal, transportation or reinstallation of the unit; (2) the cost of labor to replace parts other than those described above; and (3) does not apply to any HazardGard Room Air Conditioner that has been subject to (a) accident, misuse, flood, fire, or neglect; (b) repairs or alterations outside of the Friedrich Authorized Dealer or Service Center so as to affect adversely its performance and reliability; or (c) any repairs or servicing as a result of using parts not sold or approved by Friedrich.

LIMITATIONS: This warranty is a LIMITED warranty. Anything in the warranty notwithstanding, IMPLIED WARRANTIES FOR PARTICULAR PURPOSE AND MERCHANTABILITY SHALL BE LIMITED TO THE DURATION OF THE EXPRESS WARRANTY. MANUFACTURER EXPRESSLY DISCLAIMS AND EXCLUDES ANY LIABILITY FOR CONSEQUENTIAL OR INCIDENTAL DAMAGES FOR BREACH OF ANY EXPRESSED OR IMPLIED WARRANTY.

Performance of Friedrich's Warranty obligation is limited to one of the following methods:

1. Repair of the unit
2. A refund to the customer for the prorated value of the unit based upon the remaining warranty period of the unit.
3. Providing a replacement unit of equal value

The method of fulfillment of the warranty obligation is at the sole discretion of Friedrich Air Conditioning.

(11-10)



Friedrich Air Conditioning Company
10001 Reunion Place, Suite 500
San Antonio, TX 78216
800.541.6645
www.friedrich.com

INTERNATIONAL LIMITED WARRANTY

TERMS OF LIMITED WARRANTY

Friedrich Air Conditioning Co. warrants to the original purchaser that this Friedrich Air Conditioner is free from defects as to material and workmanship.

This Warranty pertains to such manufacturing defects as may develop through normal usage and is in effect for a period of 12 months from date of installation or 18 months from the original date of purchase (date of invoice), whichever date shall occur first. The Company's obligation under this Warranty is limited to furnishing (FOB San Antonio, Texas – no freight allowed), at its option, either a suitable replacement part or a remanufactured part or assembly for the sole purpose of replacing any part or parts which may be defective. All such warranty claims shall be directed through an authorized Friedrich Distributor/Dealer. Friedrich reserves the right to have the defective part returned to Friedrich for examination at the customer's expense.

This Warranty does not apply to air filters, fuses, cabinet enclosures, refrigerant charge, and damage to any part resulting from installation not in accordance with manufacturer's recommendations; nor does it apply to exterior finishes, except where examination discloses that same was defective at the time of initial shipment. This Warranty also does not apply to a Friedrich Air Conditioner, or any part thereof, which has been subject to misuse, neglect, alteration, accident, flood, fire, or Act of God. No warranty shall apply if the product has been used on electrical circuits of voltage and cycle characteristics other than specified on the model and serial number plate.

GENERAL TERMS

The furnishing of replacement parts as described above shall constitute complete fulfillment of all obligations with respect to the Friedrich Air Conditioner. Under no circumstances does Friedrich assume any responsibility for service, labor costs, or transportation charges. THESE WARRANTIES ARE GIVEN IN LIEU OF ALL OTHER WARRANTIES, EXPRESS OR IMPLIED, INCLUDING THE IMPLIED WARRANTIES OF MERCHANTABILITY OR FITNESS FOR A PARTICULAR PURPOSE.



Friedrich Air Conditioning LLC
10001 Reunion Place, Suite 500
San Antonio, Texas 78216
800.541.6645
www.friedrich.com

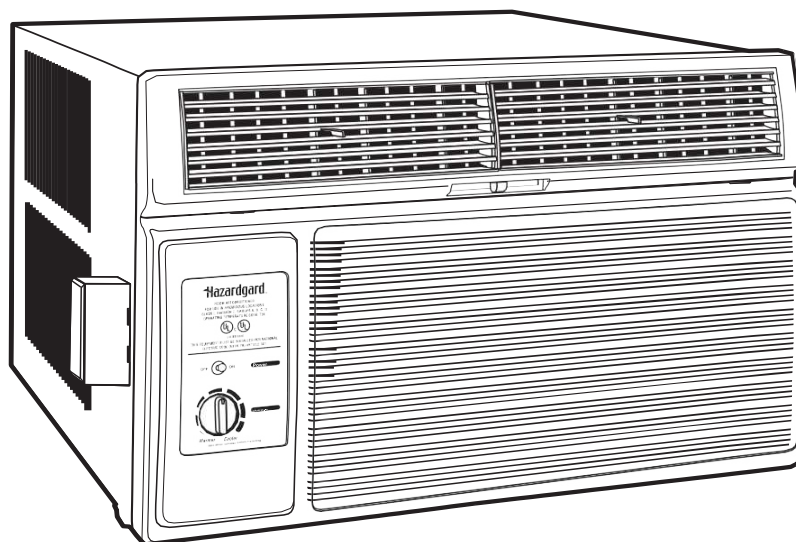
Printed in Mexico

93031008_00



Hazardgard®

Unidad de aire acondicionado para uso en lugares peligrosos



El equipo está certificado conforme a:

ISA 12.12.01 y NFPA 70-10
(National Electric Code)

Artículo 501
Clase I, División 2 Grupos A, B, C y D

ATEX*
CE Ex II 3 G Ex nA nC IIC T4 Gc
DEMKO 15 ATEX 1364X

Artículo 505
Clase I, Zona 2, Grupos IIA IIB + H y IIC

IECEX*
Ex nA nC IIC T Gc IECEX UL15.0051X
8 °C ≤ Tamb ≤ 55 °C

240 V-220 V, 50 Hz: SH20*
230 V-208 V: SH15, SH20
230 V-208 V, 60 Hz ; 240 V-220 V, 50 Hz: SH 24*




Índice

Instrucciones de uso y mantenimiento

Su seguridad y la de los demás	2
Instrucciones generales	3
Información sobre el filtro.....	4
Características especiales.....	5
Panel de control	5
Underwriters Laboratories.....	6

Instrucciones de instalación

Requisitos eléctricos	7
Equipo de instalación.....	8
Desembalaje de la unidad.....	9-10
Espacios interiores y exteriores.....	11
En la pared	12-14
Bastidor de la ventana	15-20
Cableado y preparación del chasis.....	21-24
Instalación del chasis	25-26
Lista de control de mantenimiento.....	27
GARANTÍA.....	28

	 WARNING	 ADVERTENCIA	 AVERTISSEMENT
LA SEGURIDAD ANTE TODO	Do not remove, disable or bypass this unit's safety devices. Doing so may cause, fire, injuries or death.	No extraer, desactivar o eliminar los dispositivos de seguridad de la unidad ya que puede dar lugar a incendios, lesiones o incluso la muerte.	Ne pas supprimer désactiver ou contourner les dispositifs de sécurité de cet appareil. Faire cela risque de causer un incendie, des blessures ou un décès.
	Do not open when an explosive atmosphere is present.	No abrir la unidad en presencia de una atmósfera explosiva.	Ne pas ouvrir lorsqu'une atmosphère explosive est présente.
	Do not separate when energized.	No mover la unidad cuando está enchufada.	Ne pas séparer sous tension.
	To avoid the buildup of electrostatic charge, regularly clean the unit with a damp cloth.	Para evitar la acumulación de carga electrostática, limpiar con frecuencia la unidad con un paño húmedo.	Pour éviter l'accumulation de charges électrostatiques, nettoyer régulièrement l'appareil avec un chiffon humide.

Felicitaciones

Gracias por la compra de la unidad de aire acondicionado Friedrich Hazardgard para uso en lugares peligrosos. Su nueva unidad Friedrich ha sido cuidadosamente diseñada y fabricada para brindarle muchos años de funcionamiento confiable y eficiente, a fin de mantener un nivel agradable de temperatura y humedad. Se han incorporado en la unidad muchas características adicionales para garantizar un funcionamiento silencioso y económico con una mayor circulación de aire seco y fresco.

Instrucciones generales

Este manual de instalación y uso ha sido pensado para garantizar la máxima satisfacción en cuanto al rendimiento de la unidad. Para alcanzar años de uso sin problemas, siga atentamente las instrucciones de instalación. No podemos dejar de destacar la importancia de una instalación adecuada. Hemos añadido información nueva en las instrucciones básicas para que pueda realizar una instalación correcta.



ADVERTENCIA

Sistema de refrigeración a alta presión

No perforar, calentar, exponer a las llamas o incinerar.

Solo los técnicos de refrigeración certificados pueden realizar el mantenimiento de este equipo.

Los sistemas R410A funcionan a presiones más altas que los equipos R22. Deben utilizarse prácticas de mantenimiento y manipulación seguras y adecuadas.

Solo utilizar el conjunto de manómetros diseñado para los sistemas R410A. No utilizar el conjunto de manómetros estándar de los equipos R22.



ADVERTENCIA

Leer todo el manual antes de instalar o hacer funcionar el equipo.

Es responsabilidad del instalador utilizar e instalar de manera correcta el equipo. La instalación deberá realizarse conforme al National Electric Code NFPA 70-2008 o última versión, al International Mechanic Code 2009 o última versión y a cualquier otro código local o nacional vigente.

De lo contrario, pueden producirse daños en la propiedad, lesiones personales o incluso la muerte.

Algunas sugerencias para usar la nueva unidad Friedrich de manera más eficiente:

1. Lea y siga atentamente las instrucciones de instalación.
2. Asegúrese de que la unidad tenga la capacidad adecuada para el lugar que desea refrigerar. Si la capacidad es demasiado baja, la unidad trabajará sobrecargada, consumirá más electricidad y se desgastará más. Si la capacidad es demasiado alta, la unidad se encenderá y apagará muchas veces y no podrá, en consecuencia, controlar muy bien la humedad.
3. Cuando encienda su unidad Friedrich por primera vez, coloque el termostato en la temperatura más fría para refrigerar la habitación. Una vez alcanzada la temperatura deseada, gire el control del termostato hacia una temperatura más templada hasta escuchar un clic y que el compresor se apaga. Luego, el termostato hará funcionar el compresor para mantener la temperatura seleccionada.
4. Limpie el filtro con frecuencia (consulte el apartado "Información sobre el filtro").
5. No obstruya el flujo de aire desde y hacia la unidad. Asegúrese de que las rejillas estén dirigidas de tal forma que suministren una distribución de aire uniforme en toda la habitación. Precaución: Es posible que la unidad se dañe si el aire se dirige a una zona restringida como una esquina ya que, en este caso, el equipo se encenderá y apagará con rapidez una y otra vez.
6. Un filtro sucio o el ajuste incorrecto de los controles pueden afectar la capacidad de refrigeración de la unidad.
7. Si la refrigeración es deficiente y ha verificado que el filtro está limpio, y que el ajuste de los controles es el correcto, es posible que a la unidad le falte refrigerante y deba llamar a un prestador de mantenimiento de Friedrich.
8. Mantenga las persianas y cortinas bajas en el lado soleado de la habitación que debe refrigerarse.
9. La aislación adecuada de la habitación ayuda a la unidad a mantener la temperatura interior deseada.
10. De ser posible, utilice toldos, árboles o filtros para proteger del sol a las ventanas que dan hacia el oeste.
11. Mantenga las persianas y las cortinas lejos de la unidad para que el aire fluya sin problemas.

Su seguridad y la de los demás son muy importantes.

Hemos incluido muchos mensajes importantes de seguridad en este manual y en su unidad. Siempre lea y respete todos los mensajes de seguridad.



Este es el símbolo de alerta de seguridad que le advierte sobre posibles peligros que pueden herir o matar a usted o a los demás.

Todos los mensajes de seguridad estarán al lado del símbolo correspondiente con la palabra "ADVERTENCIA" o "PRECAUCIÓN". Significado de estas palabras:



ADVERTENCIA

Indica un peligro que, de no evitarse, puede provocar lesiones personales graves o la muerte, además de daños en el producto y otros bienes.



PRECAUCIÓN

Indica un peligro que, de no evitarse, puede provocar lesiones personales, además de daños en el producto y otros bienes.

Todos los mensajes de seguridad le informarán cuál es el peligro potencial, cómo reducir las posibilidades de lesiones y qué ocurrirá si no siguen las instrucciones.

AVISO

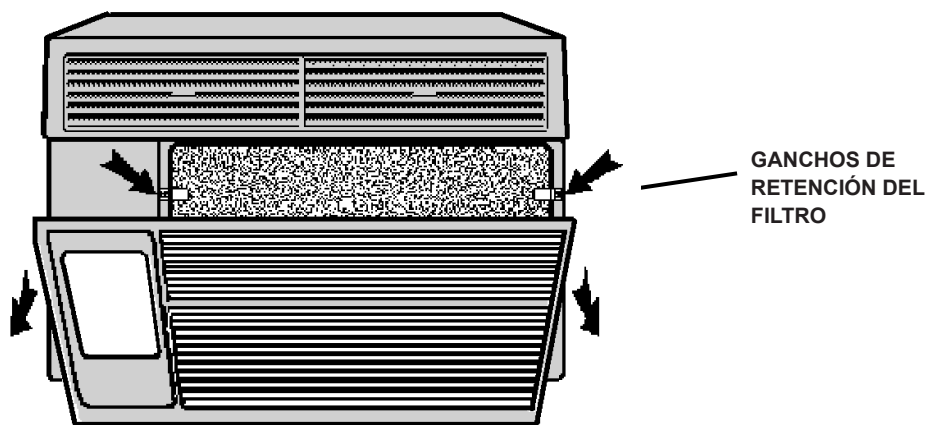
Indica que pueden producirse daños a la propiedad si no se siguen las instrucciones.

Información sobre el filtro

El filtro de su unidad Friedrich elimina el polvo, el polen y otras impurezas del aire a medida que son aspirados por el equipo. El filtro es permanente, reutilizable y tiene un tratamiento germicida que no se ve afectado por el lavado frecuente.

Un filtro sucio y obstruido reduce el flujo de aire a través de la unidad y disminuye su eficiencia. Deberá examinar el filtro cada siete a diez días según la frecuencia de uso de la unidad. Limpie el filtro periódicamente.

Figura 1



El filtro se puede sacar para su limpieza. Para ello, abra la parte frontal de la unidad y libere el filtro de los ganchos de retención.

Características especiales del modelo Hazardgard


- Motor del ventilador totalmente sellado y con capacitores de separación permanente para garantizar un funcionamiento eficiente, incluso en condiciones eléctricas adversas.
- El motor tiene un eje especial de acero inoxidable para evitar la corrosión y un control de sobrecarga herméticamente sellado para un funcionamiento sin problemas.
- Compresor de alta capacidad con un control de sobrecarga interno herméticamente sellado.
- Incluye un supresor de tensiones transitorias para proteger los controles contra picos momentáneos de tensión. Ofrece interruptores de estado sólido para un funcionamiento sin problemas.
- Control para el desvío de gas caliente, cuando la temperatura ambiente es baja, para que la unidad pueda funcionar sin congelarse a temperaturas de hasta 45 °F (7 °C).
- Componentes eléctricos con sellado ambiental IP44 que los protegen contra el ingreso de humedad (ATEX y IECEx).
- Revestimiento en polvo de poliéster, horneado para un acabado atractivo y duradero.
- Serpentes de cobre con aletas hidrófilas revestidas en aluminio.
- Gabinete de acero galvanizado y bandeja base bonderizados.
- Chasis deslizable para una fácil instalación en ventanas o paredes.
- Aislamiento interior extra, que incluye una cámara impelente completamente aislada, para una refrigeración más silenciosa y eficiente.
- Prueba completa de la unidad en una cámara ambiental antes de ser embalada.
- Control del flujo de aire de ocho posiciones para una circulación uniforme.
- Drenaje de condensación con una exclusiva barrera contra mosquitos.
- Se requiere un circuito de 15 A a 20 A con un fusible de acción retardada. Compatible con una instalación eléctrica directa.
- Filtro de aire de 3/8 in (10 mm) de espesor de larga duración, con tratamiento germicida y que se puede extraer con facilidad para su limpieza.

La calidad de las unidades de aire acondicionado Friedrich ha sido demostrada con más de 30 años de experiencias exitosas, desde el Golfo de México hasta las abrasadoras arenas del desierto árabe.

Panel de control

Control de encendido (alimentación)

Este interruptor es un interruptor de palanca bipolar y unidireccional.

 **ADVERTENCIA** ON (encendido): enciende todo el sistema.
OFF (apagado): apaga todo el sistema.

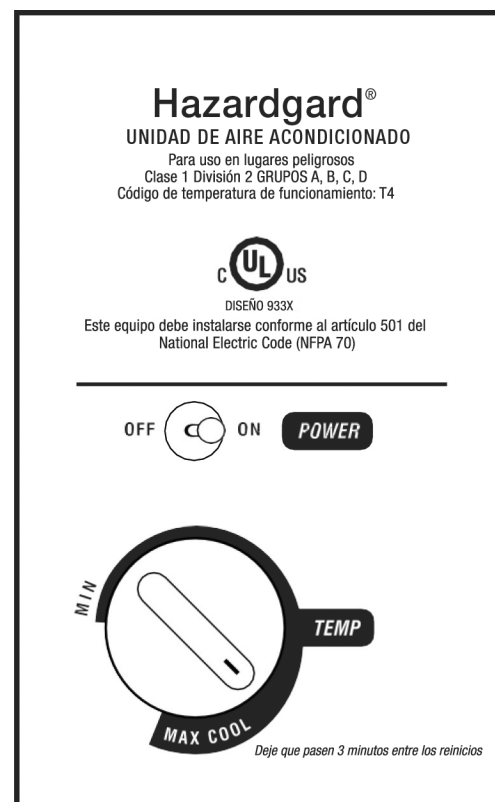
ANTES DE REALIZAR EL MANTENIMIENTO DE LA UNIDAD, DEBERÁ INTERRUMPIR-SE EL SUMINISTRO ELÉCTRICO EN EL FUSIBLE/INTERRUPTOR AUTOMÁTICO.

Control de temperatura

El control giratorio que se encuentra en la parte inferior es un termostato del tipo de ambiente cruzado que se utiliza para mantener el nivel de confort deseado. El termostato reacciona solo ante cambios de temperatura cerca del foco: gire el control en sentido horario para enfriar más el ambiente y en sentido opuesto para calentarlo más.

Friedrich es líder en la fabricación de unidades de aire acondicionado con clasificación UL diseñadas para enfriar espacios habitables y otros recintos situados en lugares peligrosos donde se manipulan o utilizan líquidos o gases inflamables volátiles en contenedores o sistemas cerrados.

Las unidades de aire acondicionado Friedrich Hazardgard han sido diseñadas para satisfacer los requisitos del artículo 500 del National Electrical Code para lugares peligrosos de la Clase I, División 2, Grupos A, B, C y D. CERTIFICADAS POR UNDERWRITERS LABORATORIES PARA USAR EN LUGARES PELIGROSOS CLASE 1, DIVISIÓN 2, GRUPOS A, B, C Y D.



Normas ITEX y ATEX específicas para los modelos SH20N50AT y SH24N20AT

Los modelos SH20N50AT y SH24N20AT se adhieren a las siguientes certificaciones:

CERTIFICADO CONFORME A LA NORMA N.º ANSI/ISA 12.12.01, 2013
 CONFORME A LA NORMA N.º IEC 60079-0, 6.ª edición CONFORME A LA NORMA N.º IEC 60079-15, 4.ª edición
 CONFORME A LA NORMA N.º CAN/CSA C22.2 N.º 213-M1987
 CONFORME A LA NORMA N.º CENELEC EN 60079-0: 2012 + A11: 2013
 CONFORME A LA NORMA N.º CENELEC EN 60079-15: 2010

CERTIFICACIÓN DEMKO 15 ATEX 1364X II 3 G Ex nA nC IIC T4 Gc
 IECEX UL15.0051X DEMKO 15 ATEX 1364X

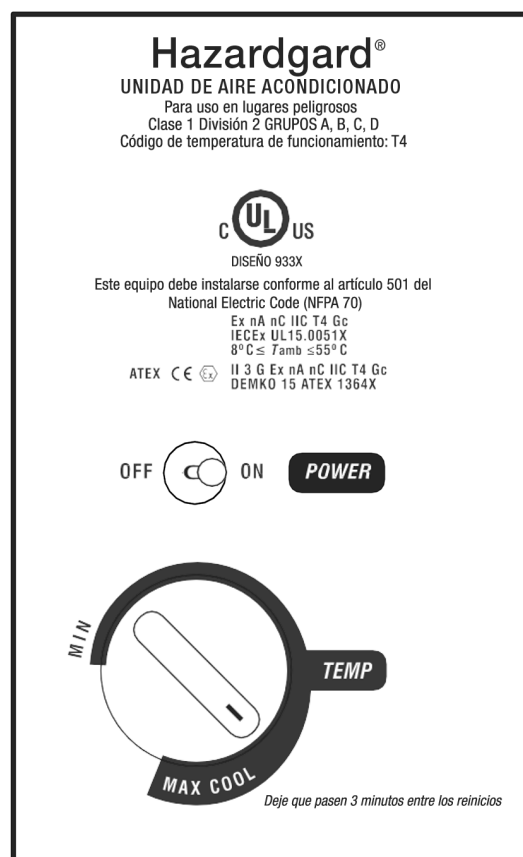
SH20N50AT Y SH24N20AT

Condiciones específicas de uso:

- Deben tomarse los recaudos necesarios para evitar que, debido a las perturbaciones transitorias, la tensión nominal supere en un 140 % su valor máximo.
- El equipo deberá instalarse en lugares que cuenten con una protección adecuada que impida la entrada de objetos extraños sólidos o agua, lo cual puede afectar la seguridad.
- Los prensacables deben utilizarse solo con el cableado fijo. El usuario deberá suministrar el alivio de presión requerido.
- Se garantizará el grado de protección solo cuando los accesorios de sellado y de entrada de cables estén correctamente instalados. Se deben seguir las instrucciones del fabricante.
- Los prensacables deberán montarse en la carcasa de tal manera que queden protegidos mecánicamente contra las fuerzas de impacto.
- Para evitar la acumulación de carga electrostática, limpie con frecuencia la unidad con un paño húmedo.
- Las personas de cualquier edad, con capacidades físicas, sensoriales o mentales reducidas; o que carezcan de experiencia o conocimientos; no deben usar esta unidad, a menos que cuenten con la supervisión o indicación de otra persona. Debe controlarse que los niños no jueguen con el equipo.

Las siguientes ediciones anteriores de Normas, que se indican en la sección "Normas" de este Certificado, se aplican a los componentes que se detallan a continuación. No existen cambios significativos relacionados con el tema de la seguridad entre estas ediciones anteriores y las ediciones que figuran en la sección "Normas".

Caja de conexiones, Pieza N.º 25. 10 16 08, fabricado por Rose.	IEC 60079-7:2006-07, IEC 60079-31:
--	------------------------------------



Fridrich Part No. 618-226-66

AVISO: Para mantener la protección IP44, la unidad Hazardgard debe instalarse de acuerdo con las instrucciones de instalación indicadas en este documento.

Instrucciones de instalación

Modelos SH15, SH20 y SH24

NOTA: ESTE MANUAL INCLUYE LAS INSTRUCCIONES PARA LA INSTALACIÓN TANTO DEL MODELO PARA MONTAJE EN VENTANA COMO PARA MONTAJE EN PARED

ADVERTENCIA



Riesgo de explosión



Riesgo de descarga eléctrica

Conecte la unidad al sistema eléctrico conforme al artículo 501 del NEC. De lo contrario, pueden producirse muertes, explosiones, incendios o descargas eléctricas.

Requisitos eléctricos

TODO EL CABLEADO DE LA RED ELÉCTRICA DEBERÁ SATISFACER LOS REQUISITOS DEL ARTÍCULO 501 DEL NATIONAL ELECTRICAL CODE (ANSI/NFPA 70).

EL DISPOSITIVO DE PROTECCIÓN PARA EL CIRCUITO QUE SE SUMINISTRA (INTERRUPTOR AUTOMÁTICO HACR O FUSIBLE DE ACCIÓN RETARDADA) NO DEBE TENER UN AMPERAJE SUPERIOR AL INDICADO EN LA PLACA DE IDENTIFICACIÓN DEL PRODUCTO.

IMPORTANTE Antes de comenzar con la instalación del aire acondicionado, consulte los códigos eléctricos locales y la información que se detalla a continuación.

El suministro eléctrico deberá tener el mismo voltaje de CA y la misma frecuencia en Hz que los valores que figuran en la placa de identificación del chasis. Debe utilizarse siempre corriente alterna (CA) y nunca corriente continua (CC).

Un circuito sobrecargado inevitablemente provocará que el aire acondicionado no funcione correctamente o falle. Por este motivo, es sumamente importante que el suministro eléctrico sea el adecuado. En caso de dudas, consulte a su distribuidor o a la empresa de energía.

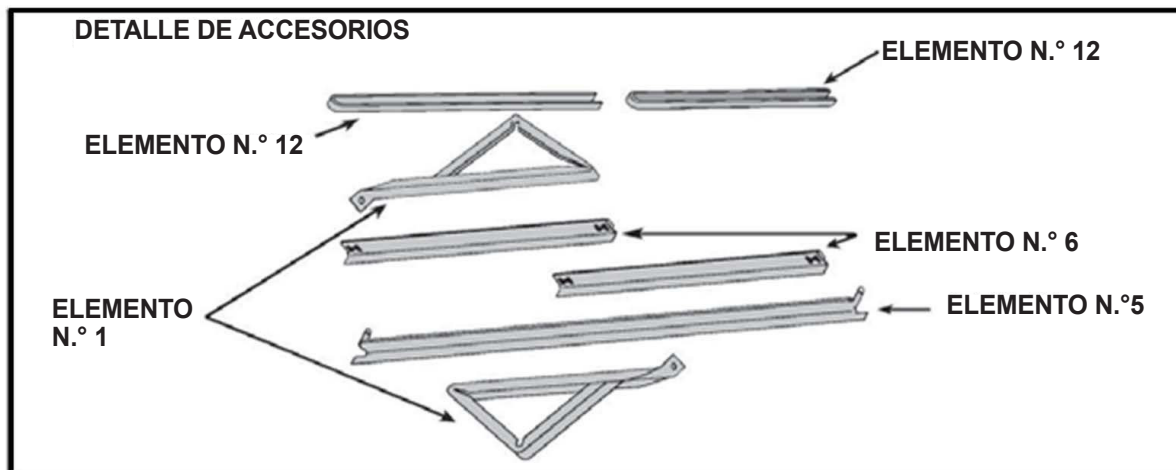
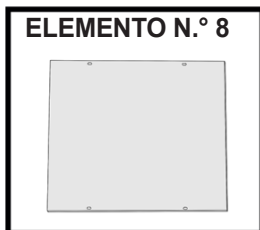
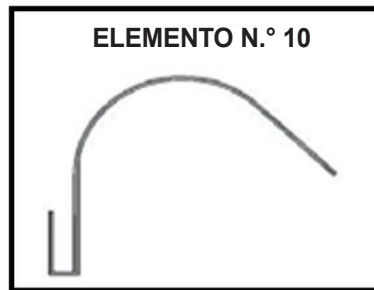
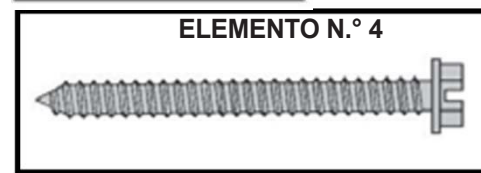
Las siguientes instrucciones son para los modelos HAZARDGARD y los tamaños de gabinetes que se detallan a continuación:

GRUPOS	TAMAÑO DEL GABINETE (ANCH. x ALT. X PROF.)
CHASIS PEQUEÑO SH15	15 15/16 in x 25 15/16 in x 27 3/8 in (405 mm x 660 mm x 695 mm)
CHASIS MEDIANO SH20, SH24	17 15/16 in x 25 15/16 in x 27 3/8 in (455 mm x 660 mm x 695 mm)

Número de modelo	Tipo de enchufe	Valor nominal del fusible de acción retardada
SH15	Caja de conexiones	250 V - 15 A
SH20, SH24	Caja de conexiones	250 V - 15 A, 250 V - 20 A

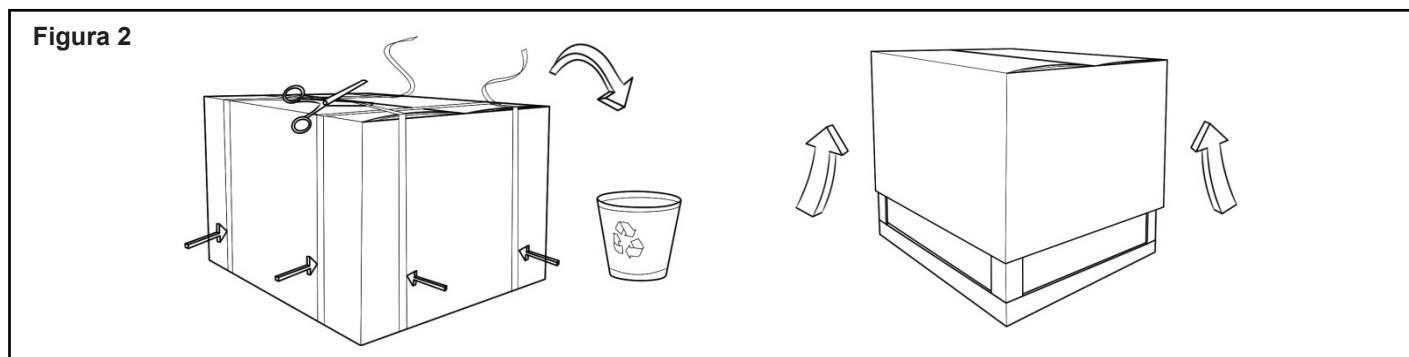
Equipo de instalación para montaje en ventana

ELE- MENTO N.º	DESCRIPCIÓN	CANTI- DAD
PIEZAS DE MONTAJE DEL ARMAZÓN		
1	SOPORTE ANGULAR	2
2	TORNILLO 10-24 DE 1 in (25 mm) CON CABEZA HEXAGONAL	4
3	TUERCA SOLDADA PLANA 10-24	4
4	TORNILLOS METÁLICOS N.º 12A de 2 in (51 mm)	7
ÁNGULO DE MONTAJE DEL PANEL DE ALAS		
5	ÁNGULO DEL PANEL DE ALAS, SUPERIOR	1
6	ÁNGULO DEL PANEL DE ALAS, LATERAL	2
7	TORNILLO METÁLICO N.º 8A de 3/8 in	2
PIEZAS DE MONTAJE DEL PANEL DE ALAS		
8	PANEL DE ALAS (MASONITA)	1
9	TUERCA DE APRIETE RÁPIDO TIPO J	4
10	SUJETADOR DE PANEL DE ALAS (RESORTE DE ACERO)	4
11	TORNILLO N.º 8A de 1/2 in CERCHA DE CABEZA PHILLIPS	4
SELLADO DE VENTANA		
12	EMPAQUETADURA DE SELLADO DE VENTANA (ESPUMA NEGRA)	1



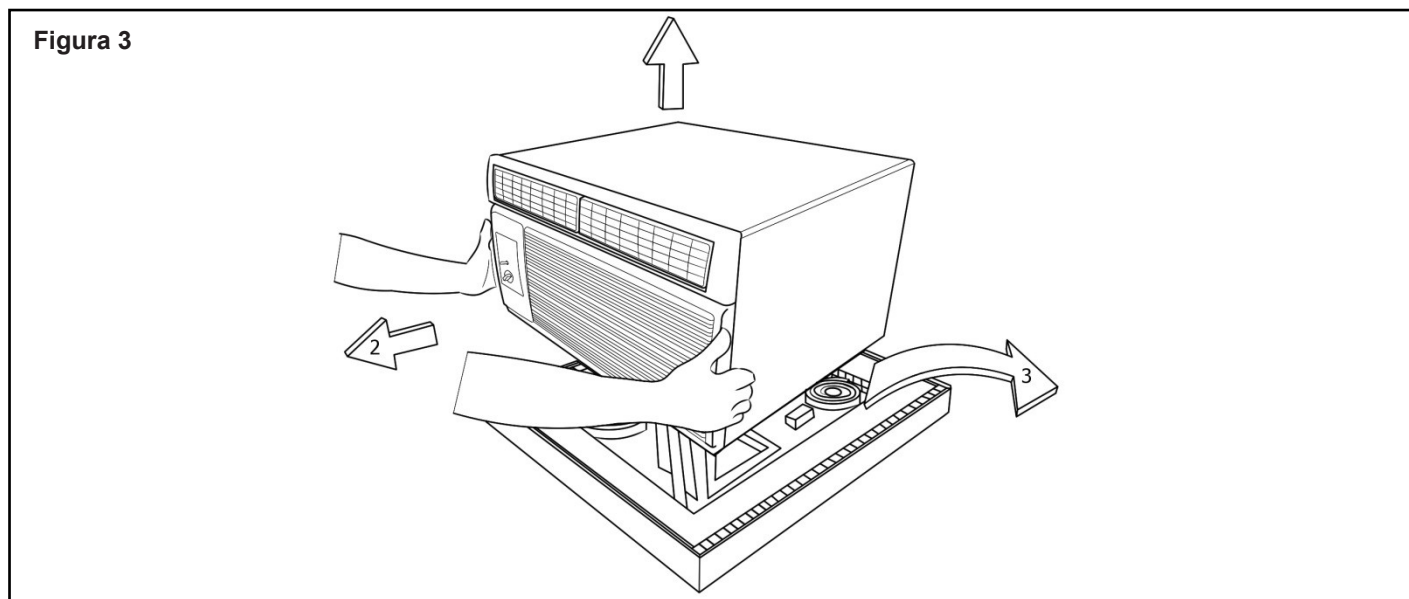
Desembalaje de la unidad

PASO 1 Corte las cintas de embalaje y deslice la caja hacia arriba para quitarla. Quite el poste de la esquina y el embalaje protector. Conserve el ala lateral de fibra en un lugar seguro (la usaremos más tarde).

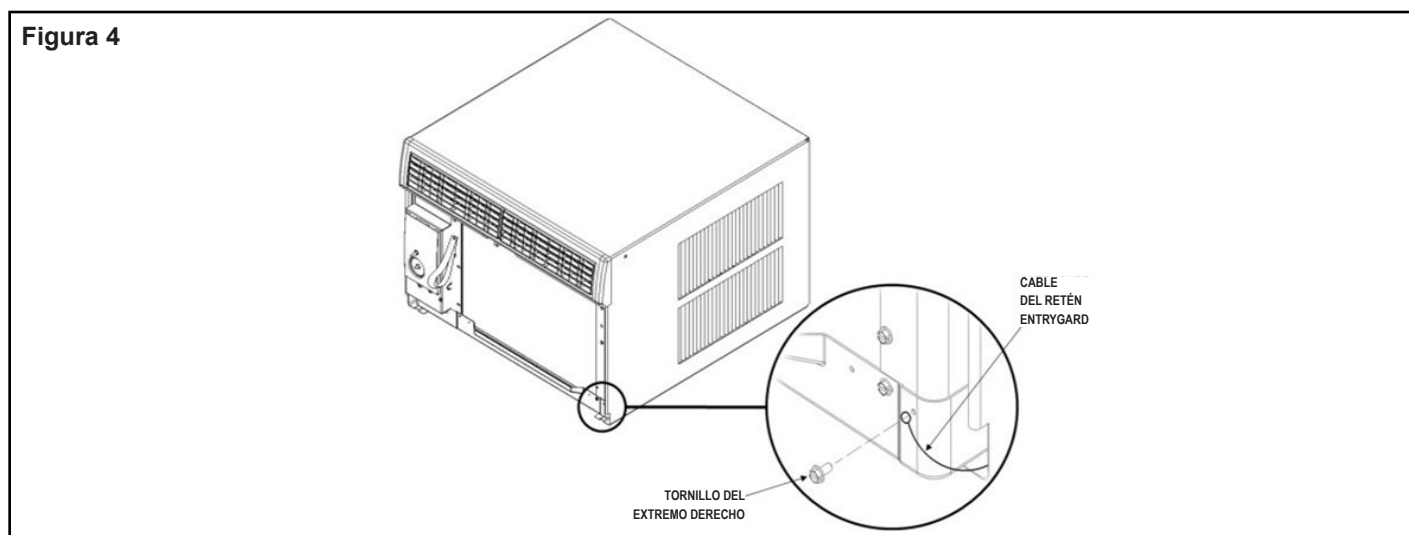


PASO 2 Retire la rejilla de aire de retorno decorativa plástica y manténgala en un lugar seguro, alejado de la unidad.

PASO 3 Retire el equipo de instalación y las dos juntas que se encuentran debajo de la unidad. Manténgalos en un lugar seguro, alejados de la unidad.



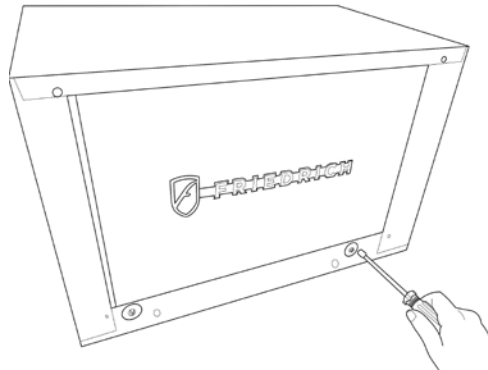
PASO 4 Extraiga el tornillo del extremo derecho de la base (vea la figura 4) para retirar el retén del chasis. Guarde este tornillo para volver a colocar el retén del chasis después de la instalación.



Desembalaje de la unidad

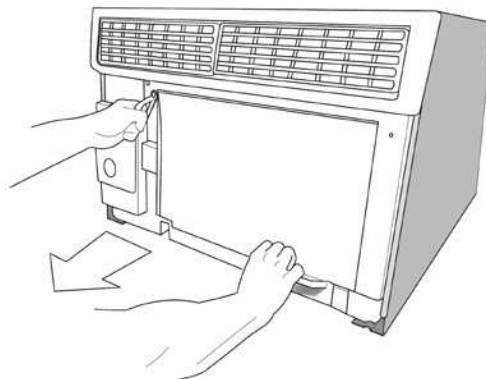
PASO 5 Retire y descarte los dos tornillos de fijación y los casquillos plásticos que se encuentran en la parte trasera de la unidad. (Figura 5)

Figura 5



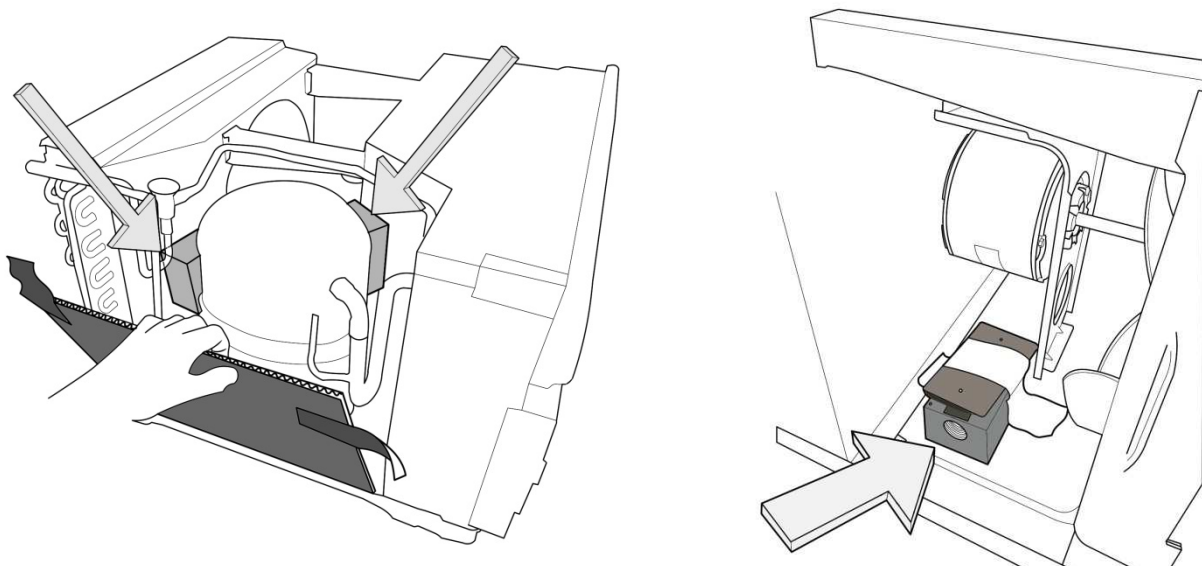
PASO 6 Mientras un ayudante sostiene el gabinete, utilice la manija de la parte frontal de la bandeja base (vea la figura 6) para extraer el chasis del gabinete.

Figura 6



PASO 7 Retire los bloques de espuma que inmovilizan el compresor durante el transporte de la unidad. Retire además, la caja de conexiones que se encuentra debajo del motor del ventilador.

Figura 7



Instalación: espacios interiores y exteriores

Figura 8

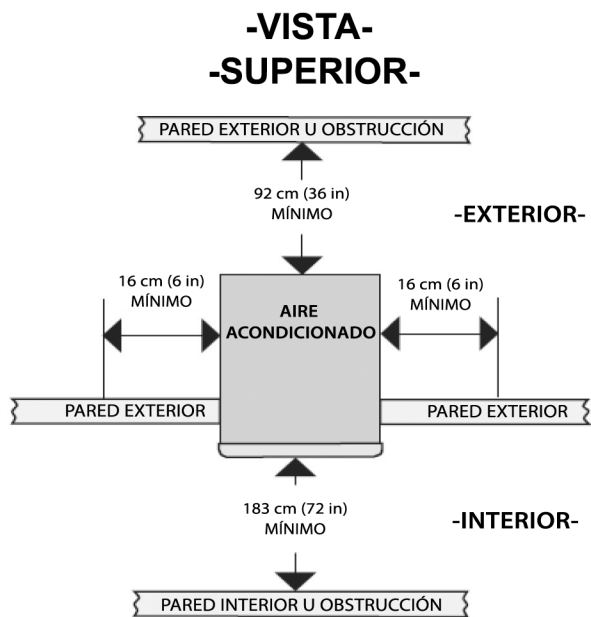
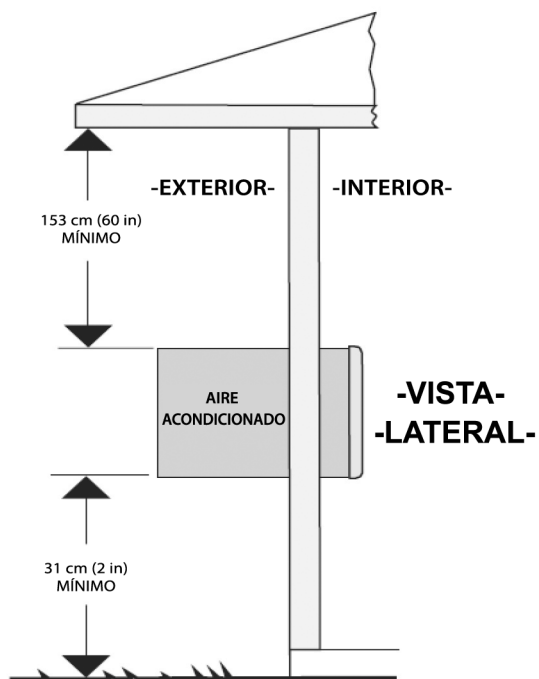


Figura 9



Instalación del armazón: instalaciones de pared (tal como viene la unidad de fábrica)

⚠ ADVERTENCIA

Riesgo de caída de objetos

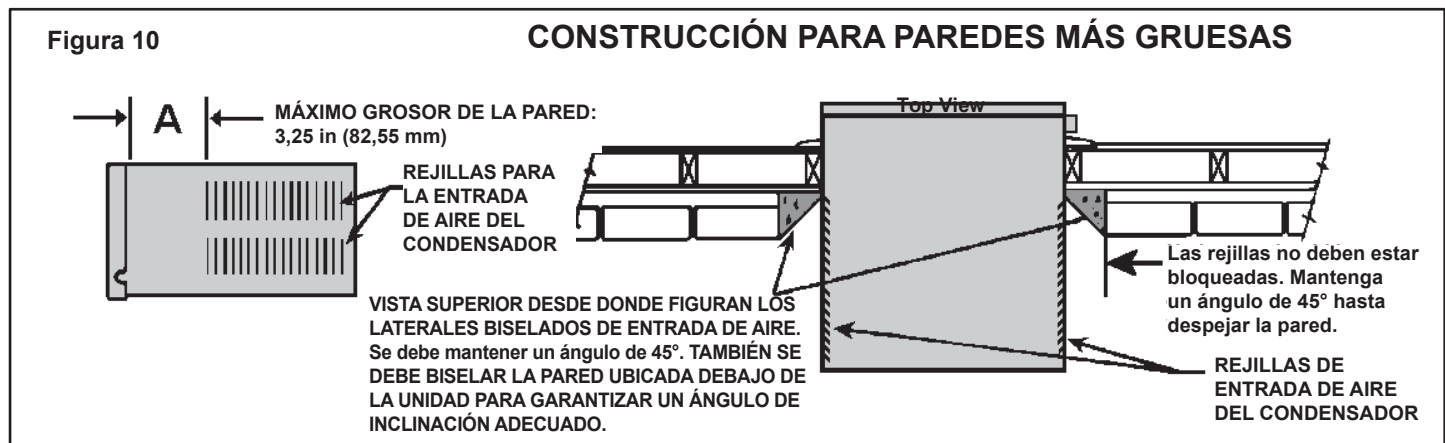
Si no se siguen las instrucciones de instalación para el montaje del aire acondicionado, pueden producirse daños en la propiedad, lesiones o muertes.

Preparación de la pared

El grosor máximo admisible de la pared, sin que se necesite recurrir a una construcción especial, viene determinado por el tamaño del modelo que se debe instalar. LAS REJILLAS DE ENTRADA DE AIRE EXTERIOR DEL CONDENSADOR DEL GABINETE NO DEBEN ESTAR BLOQUEADAS POR LA PARED. Fíjese en el grosor máximo de la pared mostrado como la dimensión "A" de la figura 10.

Instrucciones especiales para paredes más gruesas

Para la instalación en paredes que exceden el grosor máximo representado por la dimensión A, se sugiere la siguiente construcción. (Vea la figura 10).



PASO 1 VERIFICACIÓN DE CABLEADO Y TUBERÍAS: Verifique el cableado y las tuberías dentro y fuera de la pared para asegurarse de no dañarlos al realizar el hueco.

PASO 2 REALIZACIÓN DEL HUECO: Según el tamaño de la unidad que se instalará, realice el hueco de acuerdo con las dimensiones que figuran en el siguiente cuadro (vea la figura 11). Marque y realice el hueco según las dimensiones indicadas. Use un material de 2 in x 4 in para marcarlo y siga las recomendaciones de instalación típicas que aparecen en las figuras 12, 13 o 14 en la página 13.

NOTA: SI LA CONSTRUCCIÓN DE LA PARED ES UN MARCO TÍPICO O UNA PLANCHA DE LADRILLO O DE PIEDRA CON PRISIONEROS DE 2 X 4, REALICE EL HUECO CERCA DE UNO DE LOS PRISIONEROS. EN CASO DE QUE SE TRATE DE PAREDES DE MAMPOSTERÍA, HORMIGÓN O LADRILLO DE ESCORIA, REALICE EL HUECO DONDE CREA CONVENIENTE.

Figura 11 REQUISITOS DE TAMAÑOS DE LOS HUECOS

DIMENSIÓN TERMINADA	SH15 CHASIS	CHASIS SH20, SH24
A	16-3/16 in	18-3/16 in
B	26-3/16 in	26-3/16 in

NOTA: ESTAS SON LAS DIMENSIONES DEL HUECO TERMINADO

Figura 12

REALIZACIÓN DE MARCO EN LA PARED

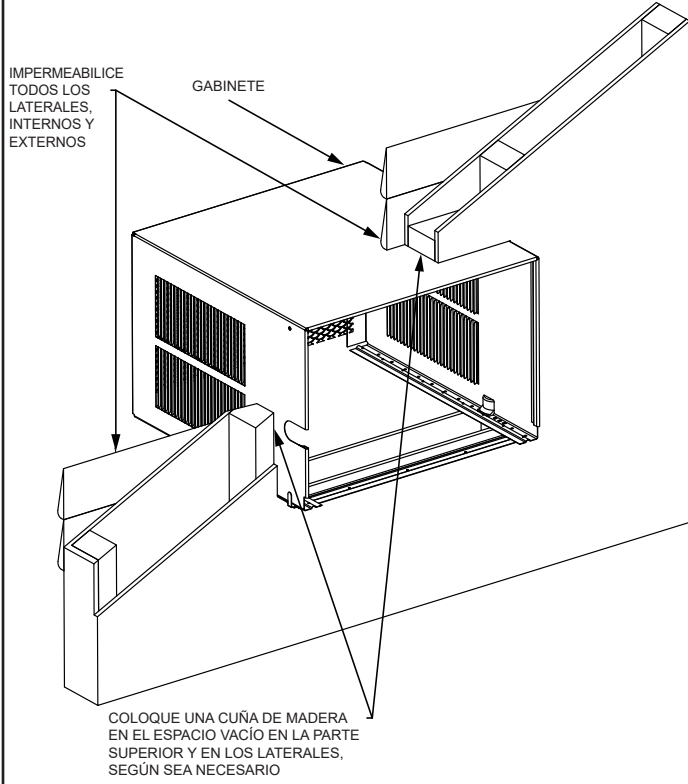


Figura 13

CONSTRUCCIÓN DE PLANCHAS DE LADRILLO

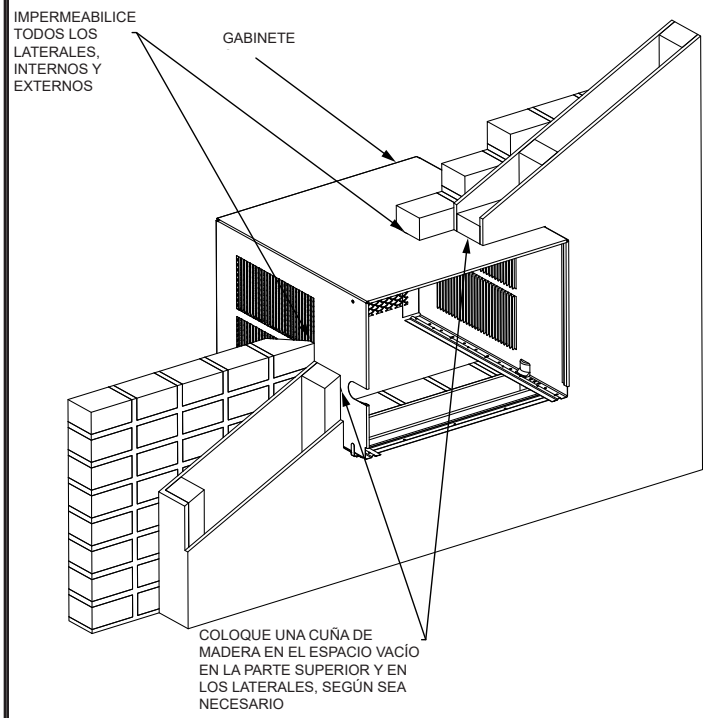
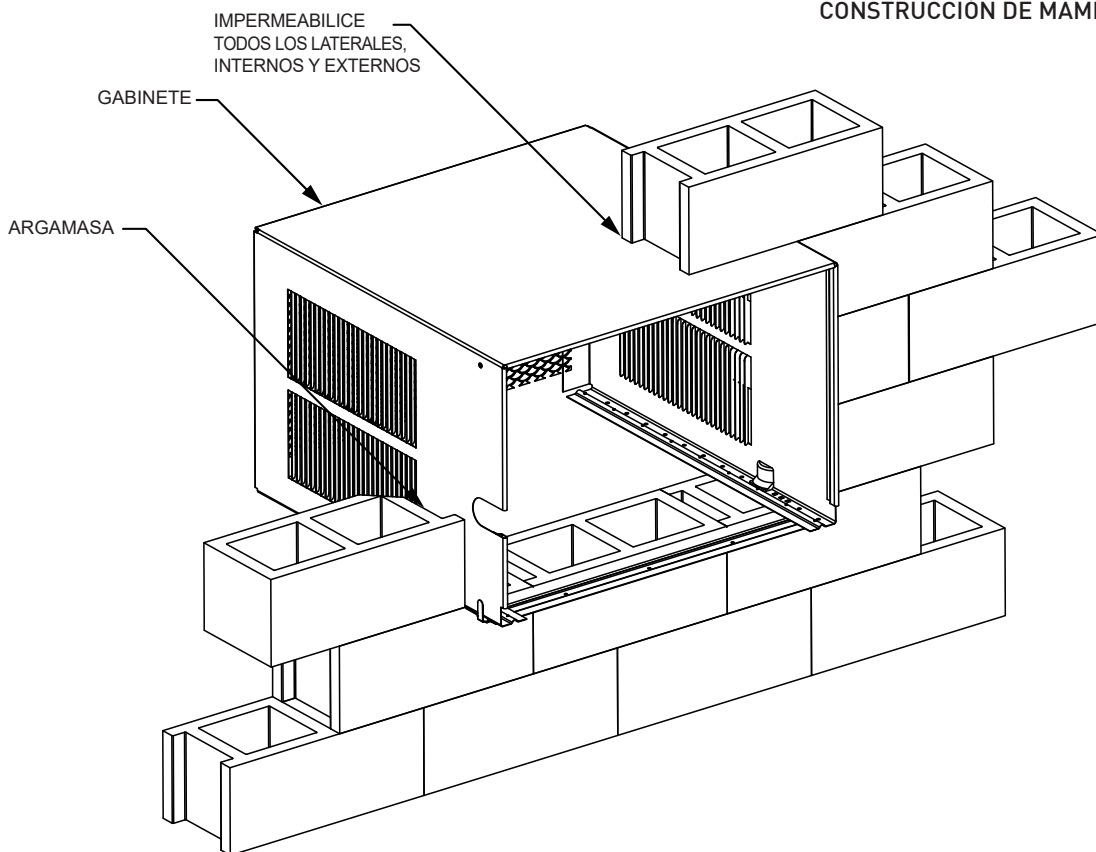


Figura 14

CONSTRUCCIÓN DE MAMPOSTERÍA SÓLIDA

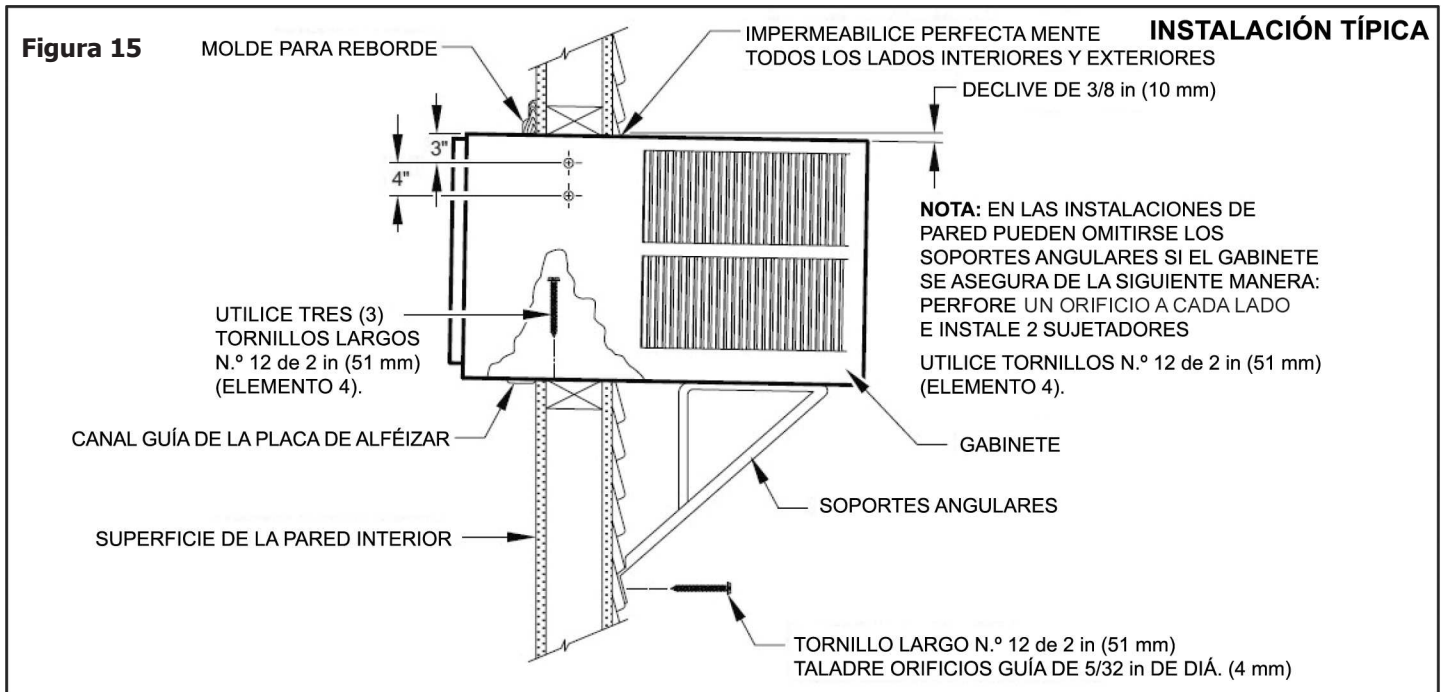


PASO 3 Deslice el gabinete por el hueco lo más que pueda para permitir que el canal guía de la placa de alféizar entre en contacto con la superficie de la pared interna (vea la figura 15).

PASO 4 Perfore tres (3) orificios piloto de 5/32 in de diámetro a través de los orificios de la placa de alféizar hasta el marco y coloque tres (3) tornillos largos n.º 12 de 2 in (elemento 4) (vea la figura 15).

AVISO

Se deben seguir las instrucciones de montaje del manguito con declive para evitar el ingreso de agua a la sala. Indica que pueden producirse daños a la propiedad si no se siguen las instrucciones



NOTA: SE PUEDEN UTILIZAR OTROS SUJETADORES PARA FIJAR LA PLACA DE ALFÉIZAR A LA PARED. LOS SOPORTES DE LA PARED EXTERIOR NO ESTÁN INCLUIDOS, PERO SE PUEDEN ADQUIRIR EN UNA FERRETERÍA LOCAL.



PERNO DE EXPANSIÓN O PERNO ARTICULADO



PERNO DE ANCLAJE DE EXPANSIÓN

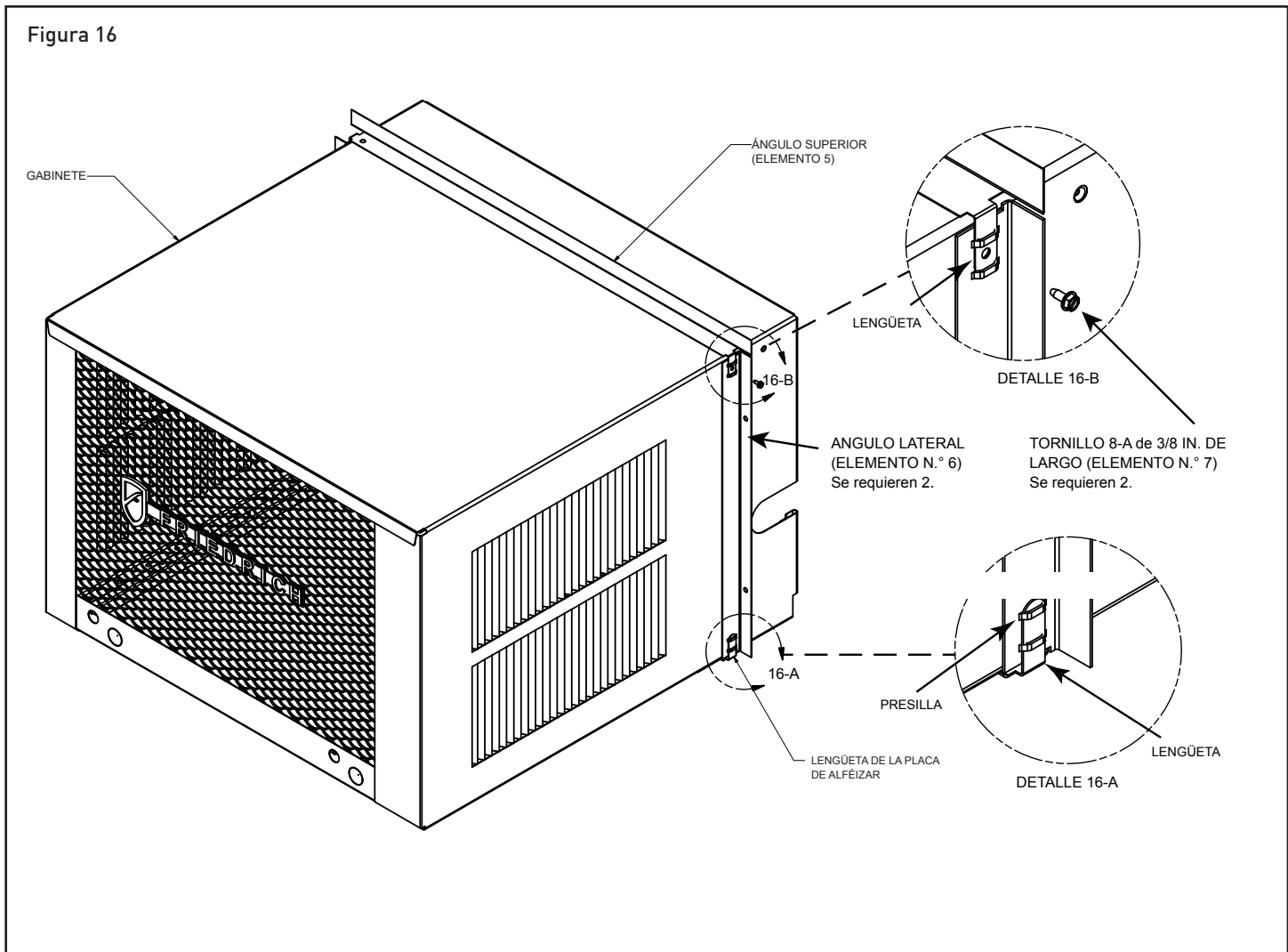
PASO 5 Perfore dos (2) orificios piloto de 5/32 in (4 mm) de diámetro de cada lado en las ubicaciones que se muestran (figura 15) e instale cuatro (4) tornillos n.º 12 de 2 in (elemento 4). Si la realización del hueco en el paso 2 permite un montaje fuerte con prisioneros verticales sólidos, no se necesitan soportes. La instalación debe soportar el peso de la unidad más un peso adicional de 400 lb (185 kg) en la parte posterior del gabinete. Los soportes pueden usarse para las instalaciones a través de la pared, como se muestra en la figura 15, para brindar soporte adicional.

PASO 6 Si lo desea, haga un corte alrededor del gabinete del lado de la sala con la moldura de marco adecuada que proporciona el instalador (vea la figura 15).

PASO 7 Pase al cableado y preparación del chasis que figuran en la página 21 para los modelos que no son ATEX o en la página 23 para los modelos ATEX e IECEx.

Preparación del armazón (gabinete) para su instalación

- PASO 1 Quite la placa de alféizar y doble las lengüetas hacia arriba y vuelva a instalarla. Vea el DETALLE 16-A.
- PASO 2 Tome los ángulos laterales (elemento 6) y conecte los bucles en las lengüetas (ambos lados) de la placa de alféizar. (DETALLE 16-A).
- PASO 3 Tome la brida superior (elemento 5) y conecte las lengüetas en los bucles superiores de las bridas laterales (DETALLE 16-B).
- PASO 4 Instale dos (2) tornillos (elemento 7) para fijar las lengüetas del ángulo superior y el ángulo lateral del lado del gabinete (DETALLE 16-B).



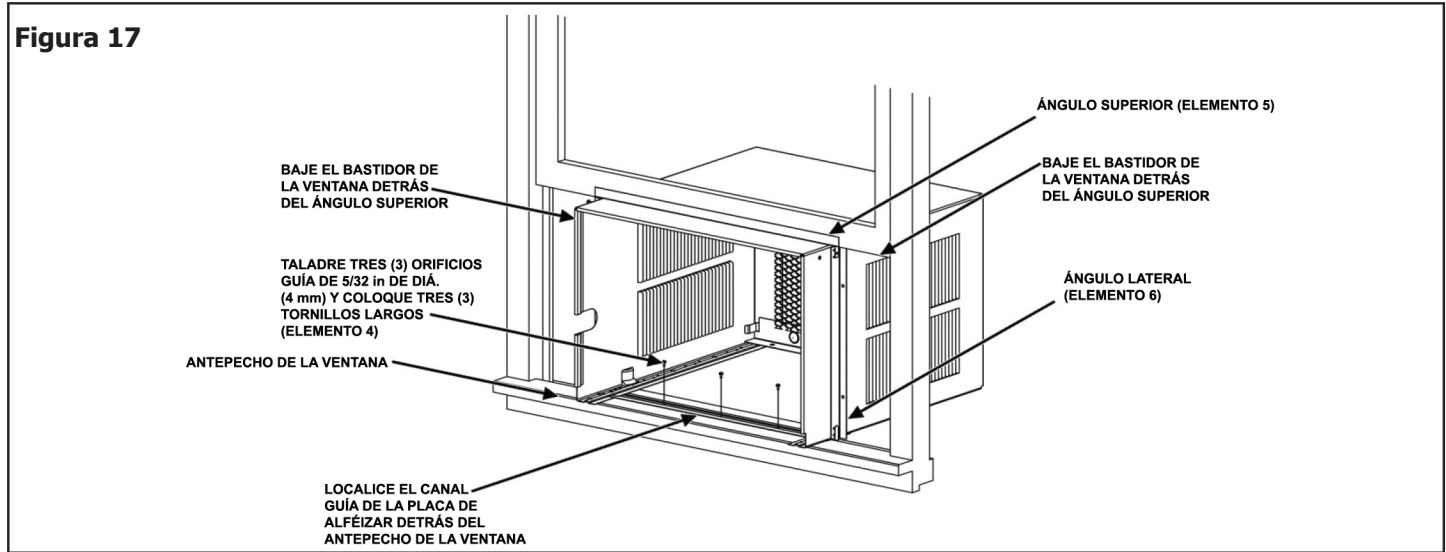
Instalación del armazón: instalación del bastidor de la ventana

⚠️ ADVERTENCIA

Riesgo de caída de objetos

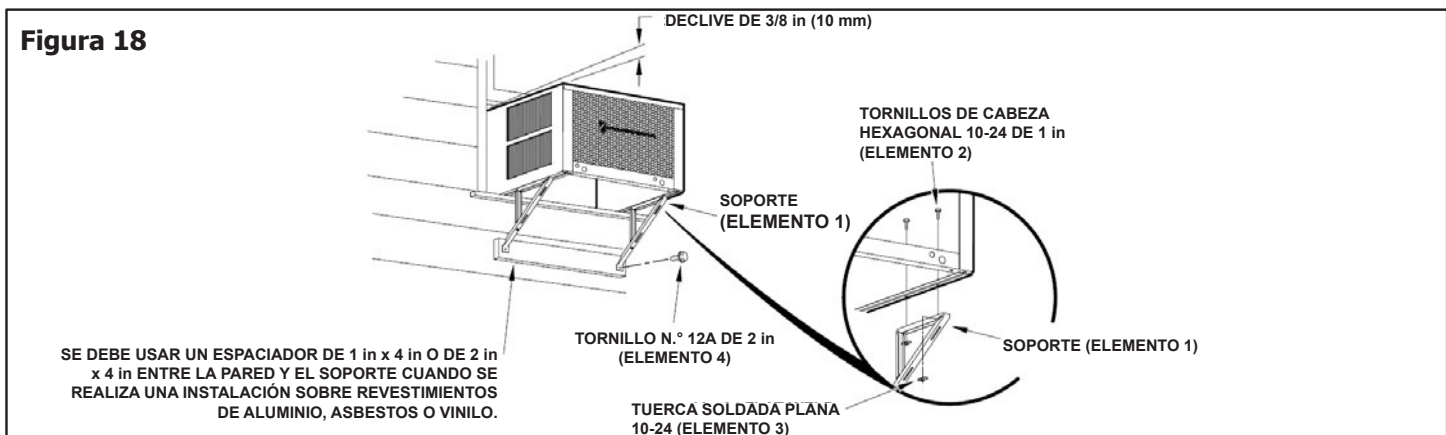
Si no se siguen las instrucciones de instalación para el montaje del aire acondicionado, pueden producirse daños en la propiedad, lesiones o muertes.

- PASO 1** Verifique que el bastidor y el marco de la ventana estén en buen estado y fijos firmemente a la pared. Haga las reparaciones necesarias si corresponde.
- PASO 2** **MONTAJE DEL GABINETE:** Levante el bastidor de la ventana inferior unos 1/4 in más que la altura del gabinete. Deslice cuidadosamente el gabinete por la ventana abierta hasta que el canal de la placa de alféizar quede detrás del antepecho de la ventana y el ángulo del soporte superior (elemento 5) contra la ventana [vea la figura 17]. Centre el gabinete de lado a lado y perforo tres (3) orificios piloto de 5/32 in de diámetro en el antepecho de la ventana usando los orificios de la placa de alféizar del gabinete como guía. Instale tres (3) tornillos largos n.º 12A de 2 in (elemento 4) (vea la figura 17).



- PASO 3** **MONTAJE DEL SOPORTE EXTERIOR:** Instale los soportes (elemento 1) en los rieles inferiores del gabinete con cuatro (4) tornillos 10-24 de 1 in (elemento 2) y cuatro (4) tuercas planas 10-24 (elemento 3). Ajuste los soportes para que los cojinetes inferiores entren en contacto con la superficie de la pared. (Vea la figura 18).

DEBE UTILIZARSE UN SEPARADOR DE 1 in x 4 in O DE 2 in x 4 in ENTRE LA PARED Y EL SOPORTE CUANDO LA INSTALACIÓN SE REALIZA SOBRE UN REVESTIMIENTO DE ALUMINIO O VINILO. Perfore orificios piloto de 5/32 in (4 mm) de diámetro y fije los soportes a la pared con dos (2) tornillos largos n.º 12A de 2 in (elemento 4). Ajuste los soportes para proporcionar un declive de aproximadamente 3/8 in (10 mm) hacia la parte exterior para el drenaje. Ajuste todos los tornillos. (Vea la figura 18).



Instalación típica: placa de alféizar

En las siguientes ilustraciones figura la instalación de la construcción del marco estándar y algunas recomendaciones sobre cómo adaptar el soporte a paredes gruesas y salientes de ladrillo gruesas.

AVISO

Se deben seguir las instrucciones de montaje del manguito con declive para evitar el ingreso de agua a la sala.

El incumplimiento de las instrucciones puede provocar daños a la propiedad.

Figura 19

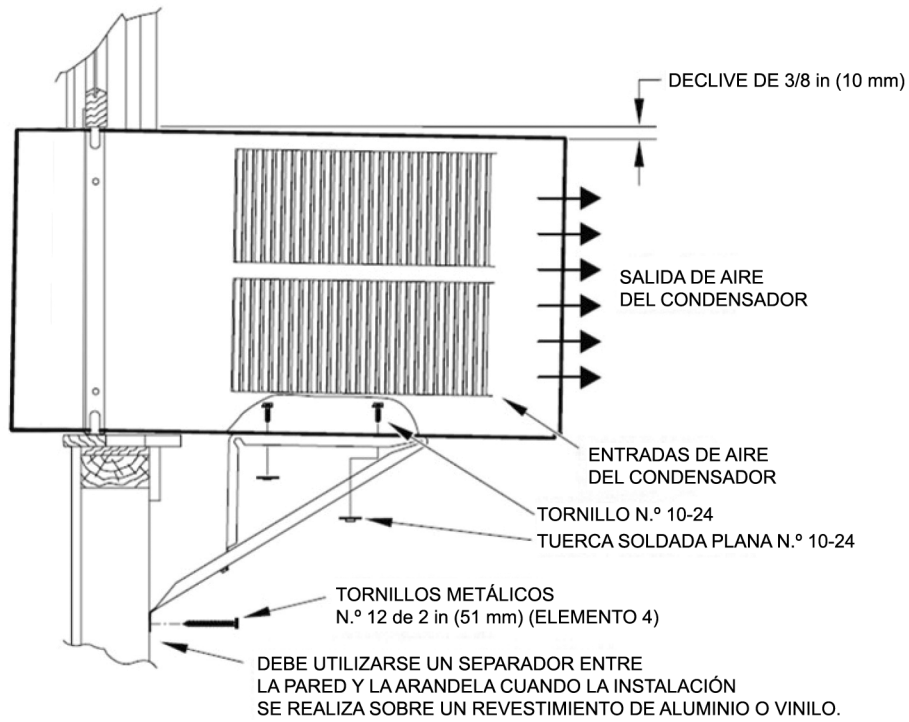
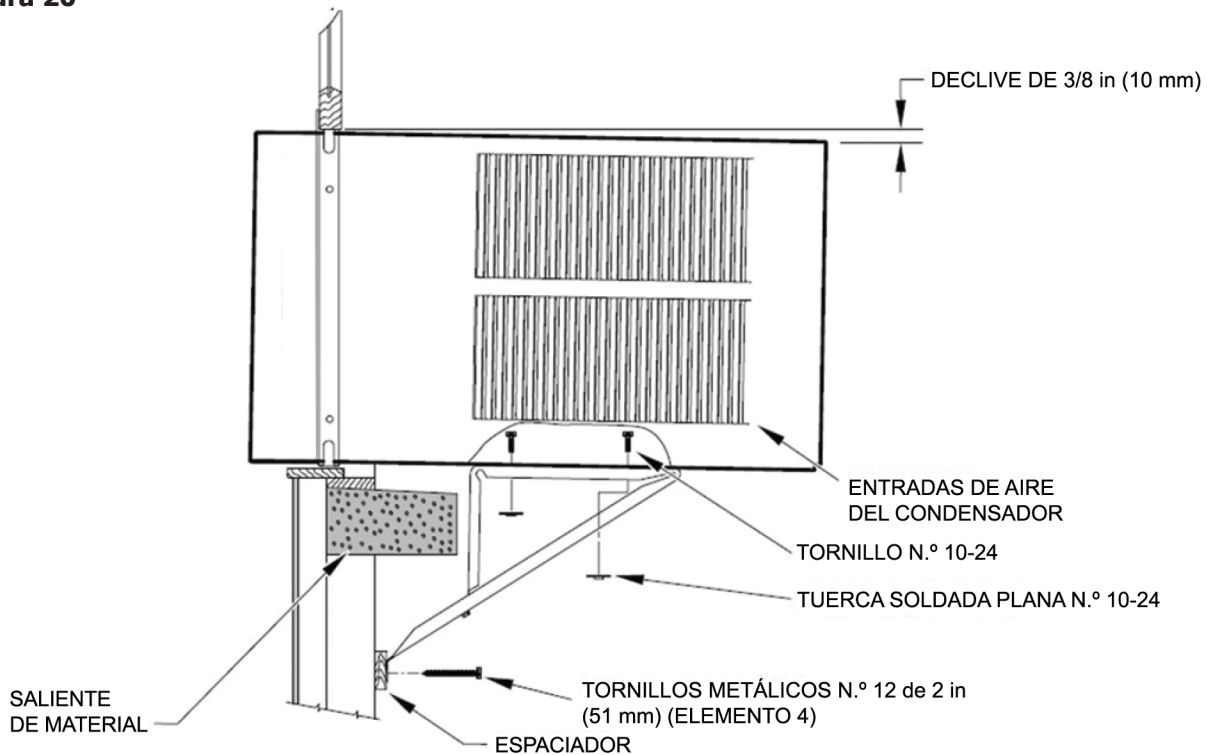


Figura 20



Instalación típica: placa de alféizar (continuación)

Figura 21

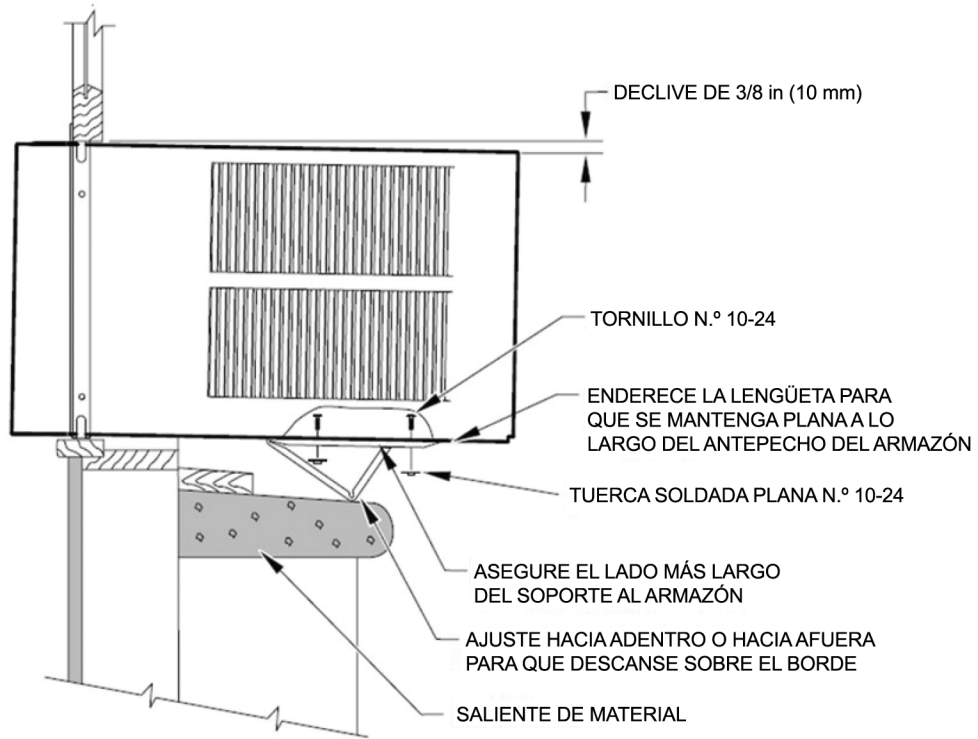


Figura 22

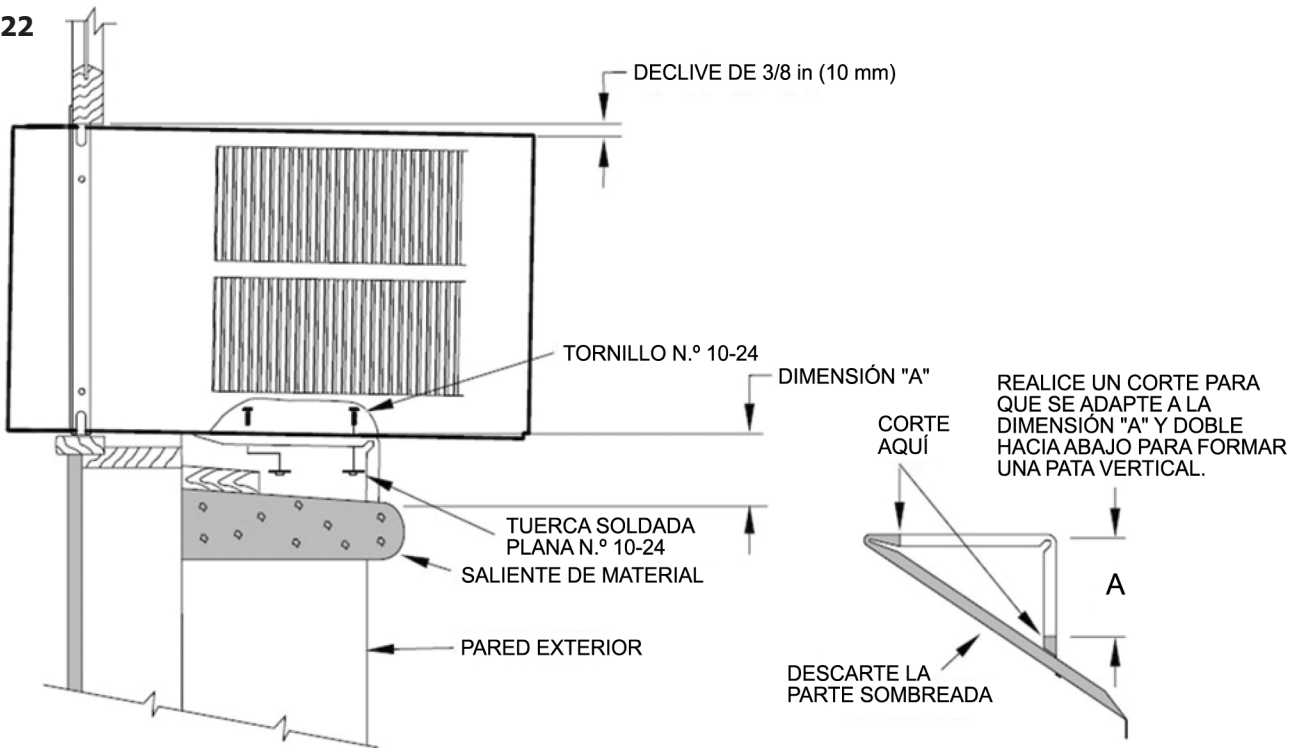
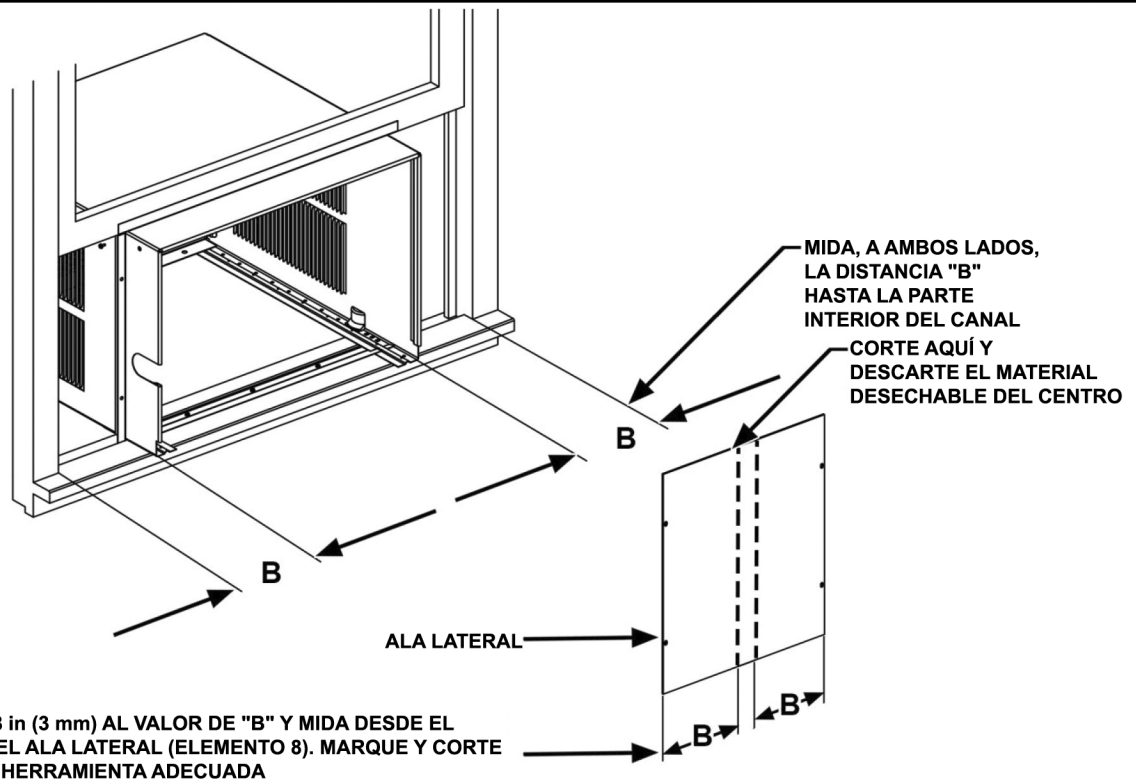


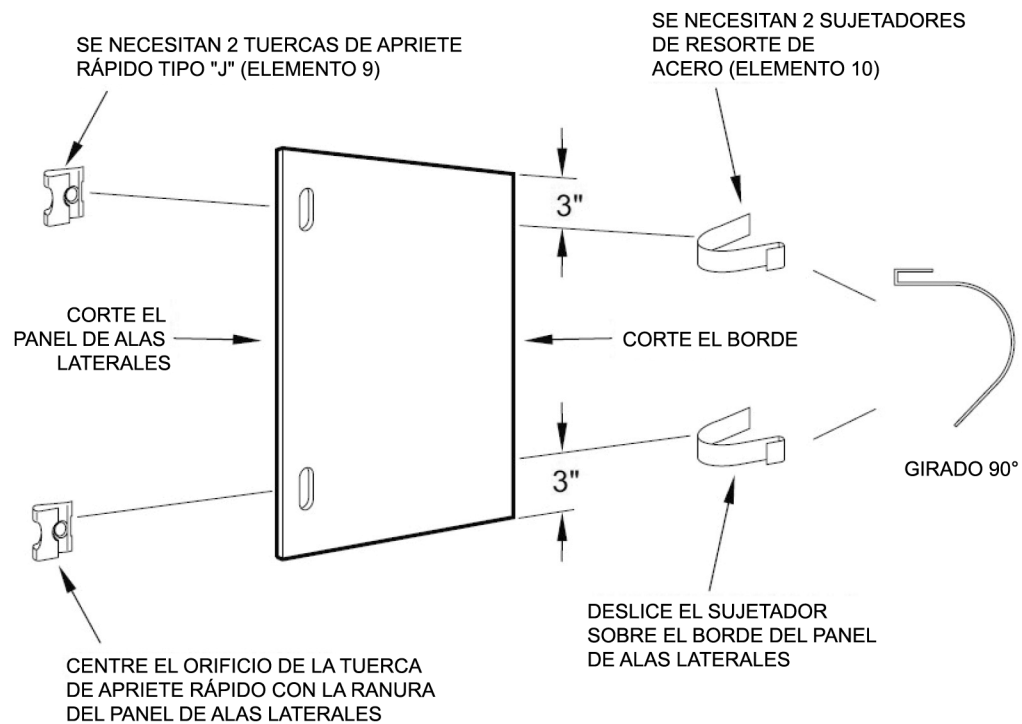
Figura 23



PASO 4 CORTE DE PANELES DE ALAS: Mida y corte los paneles de ala de la masonita suministrada (elemento 8) de forma que se ajusten a los espacios entre los canales de la ventana lateral y los laterales del gabinete (vea la figura 23).

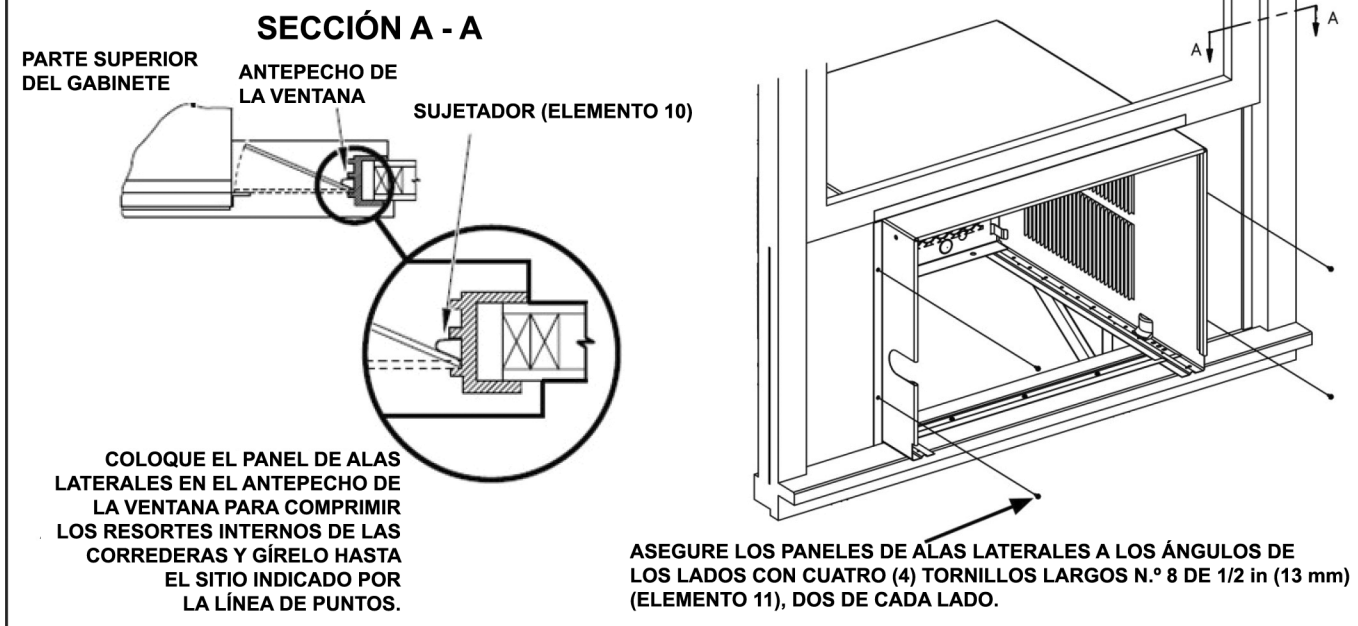
NOTA: DESPUÉS DE CORTAR LOS PANELES, HAGA UNA PRUEBA PARA VER SI SE AJUSTAN AL ESPACIO Y QUEDA UN ESPACIO LIBRE DE APROXIMADAMENTE 1/8 in ANTES DE CONTINUAR AL PASO 5.

Figura 24



PASO 5 COLOQUE LOS SUJETADORES EN LOS PANELES DE ALAS: Instale tuercas de apriete rápido tipo "J" (elemento 9) y sujetadores de resorte de acero (elemento 10) en los bordes de los paneles de alas cortados (vea la figura 24).

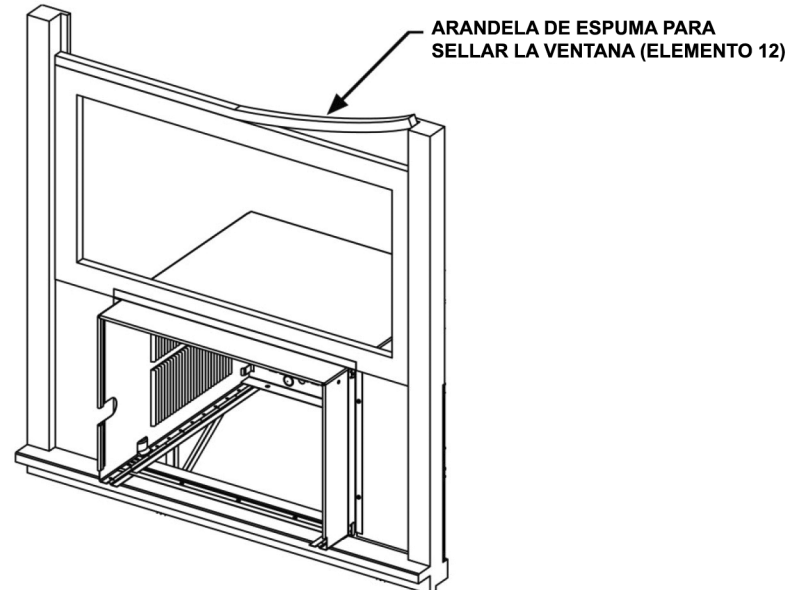
Figura 25



PASO 6 INSTALE LOS PANELES DE ALAS LATERALES: Asegúrese de que el gabinete se haya fijado al antepecho de la ventana y de que los soportes exteriores se hayan instalado como se muestra en las figuras 19 y 20 en la página 17. Levante el bastidor de la ventana e instale los paneles de alas derecho e izquierdo. (Vea la figura 25).

PASO 7 INSTALE LAS EMPAQUETADURAS DE SELLADO DE VENTANA: Mida y corte la empaquetadura de sellado de espuma negra (elemento 12) e instálela entre el panel de vidrio superior y la parte superior del bastidor inferior (figura 26).

Figura 26



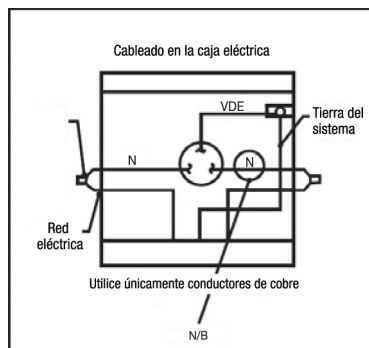
NOTA POR MOTIVOS DE SEGURIDAD, EL CLIENTE DEBE BUSCAR UNA FORMA QUE EVITE QUE SE ABRA LA VENTANA.

PASO 8 Siempre que sea posible, impermeabilice la parte exterior de la instalación con masilla de tipo industrial para evitar filtraciones de aire y agua.

PASO 9 Pase al cableado y preparación del chasis que figuran en la página 21 para los modelos que no son ATEX o en la página 23 para los modelos ATEX e IECEx.

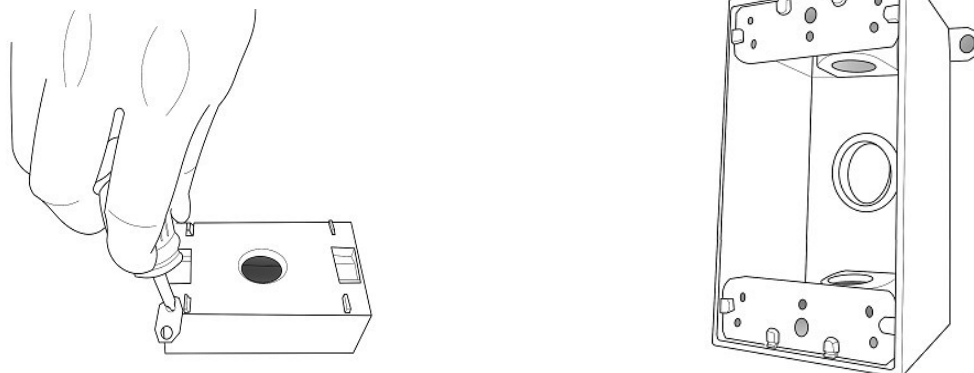
Cableado y preparación del chasis (modelo que no es ATEX)

TORNILLERÍA SUMINISTRADA
1 CAJA DE CONEXIONES
2 PATAS DE MONTAJE
2 TORNILLOS DE PATA
2 CUBIERTAS DE HUECOS
1 TORNILLO CON CONEXIÓN A
TIERRA DE ACERO INOXIDABLE
2 TORNILLOS
1 TORNILLO METÁLICO



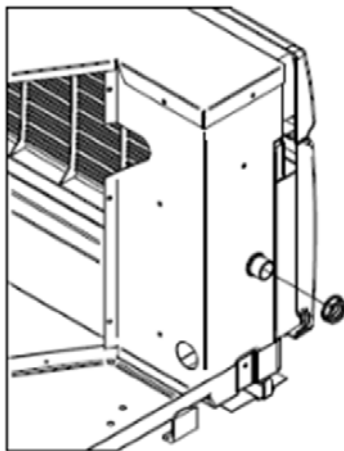
PASO 1 Quite la caja de conexiones, la cubierta y los tornillos de la posición de envío debajo del motor del ventilador (vea la figura 7). Instale una pata de montaje de la caja de conexiones en la posición izquierda superior orientada hacia la parte posterior de la caja de conexiones (figura 27).

Figura 27



PASO 2 Quite y elimine el protector de alambre del buje roscado del conector del conducto en el panel lateral del compartimento de control. Instale los prensacables suministrados en el campo como se indica. Pele los cables aproximadamente 1/2 in (13 mm).

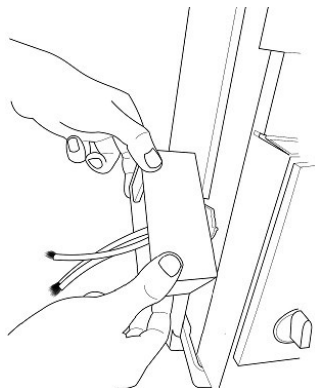
Figura 28



Cableado y preparación del chasis

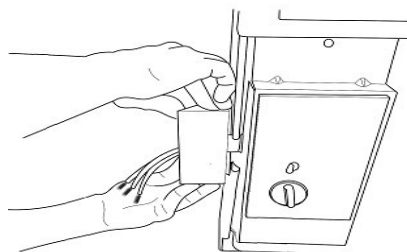
PASO 3 Inserte todos los cables en la parte posterior de la caja de conexiones y coloque la caja en el buje roscado hasta que quede ajustada.

Figura 29



PASO 4 Muévela hacia la derecha hasta que la caja de conexiones quede en posición vertical con la pata de montaje en la posición superior derecha orientada hacia la apertura de la caja. Asegúrese de que el armazón pueda deslizarse entre esta caja y el chasis.

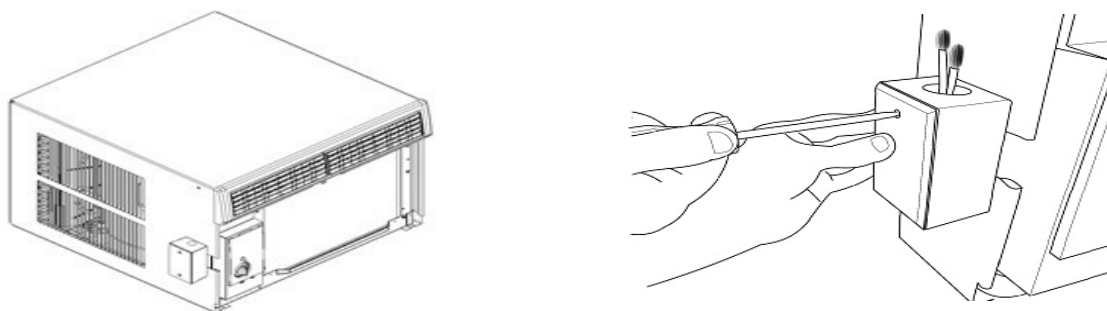
Figura 30



PASO 5 Inserte la unidad en el armazón, consulte la página 25 para obtener ayuda, y asegúrese de que el armazón pueda deslizarse entre la caja de conexiones y el chasis.

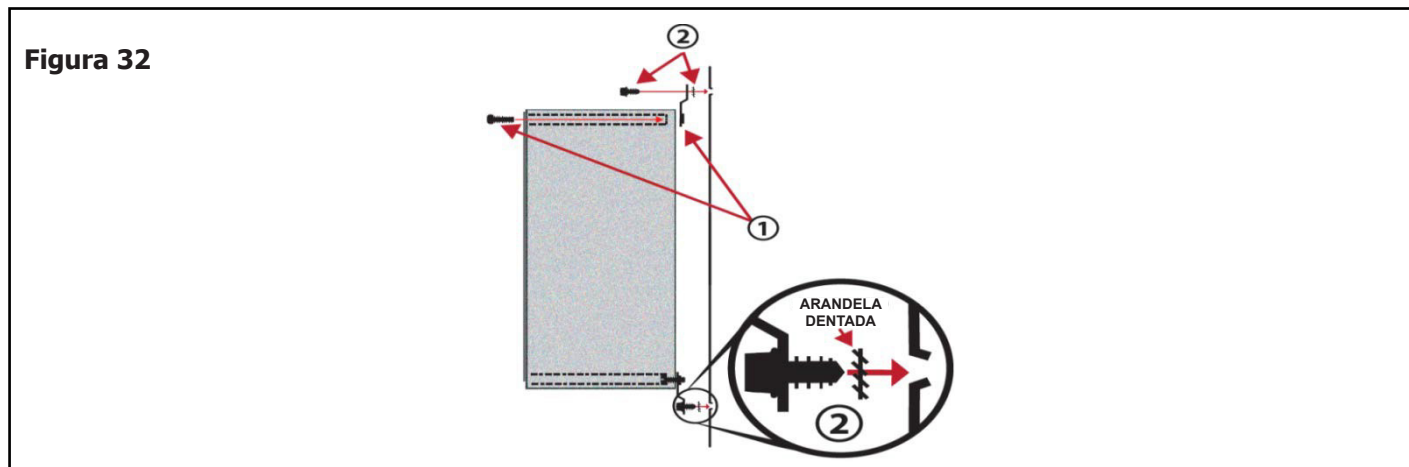
NOTA: Los conductores de cableado en campo deben ser de cobre y tener un calibre mínimo de 12. Complete el cableado de la caja de conexiones y cúbrala para evitar el ingreso de polvo y humedad. Todas las conexiones de cableado a la caja de conexiones deben realizarse con prensacables.

Figura 31



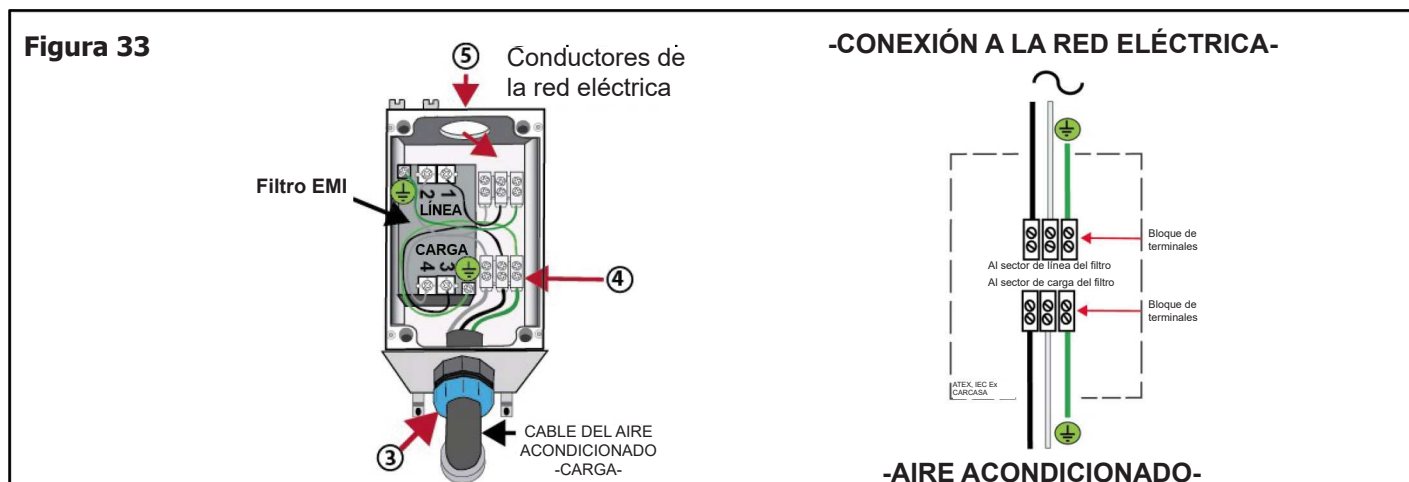
Cableado y preparación del chasis (modelos ATEX e IECEx)

PASO 1 Quite la caja de conexiones de la posición de envío debajo del motor del ventilador (figura 7). Instale las patas de montaje de la caja de conexiones en la parte posterior de esta con los 4 tornillos para metales suministrados (figura 32-1). Instale la caja de conexiones sobre los orificios en el lateral del manguito del aire acondicionado con los 4 tornillos metálicos suministrados y las 4 arandelas dentadas. Asegúrese de que las arandelas dentadas se encuentren entre las patas de la caja de conexiones y el manguito de metal pintado (figura 32-2).



PASO 2 Proceda a realizar el PASO 1 de la instalación del chasis (consulte la página 25) y, luego, regrese al PASO 3.

PASO 3 Inserte el cable eléctrico del aire acondicionado por el prensacables suministrado en la parte inferior de la caja de conexiones eléctricas y ajuste la tuerca del prensacables (vea el elemento 3) con un par de torsión de 15 N·m. Pele los tres conductores eléctricos aproximadamente 6,35 mm (1/4 in) e instáloslos debajo de los terminales suministrados de la LÍNEA del bloque de terminales y ajústelos (elemento 4). El cableado fijo en campo debe incluir una desconexión en campo (todos los polos). Use conductores de cableado fijos en campo y prensacables con una clasificación mínima de IP44. Conecte los conductores de cableado debajo de los terminales suministrados de CARGA del bloque de terminales y ajústelos (elemento 5). Los conductores de campo deben ser de cobre y tener un mínimo de 1,29 a 2,06 mm (calibre 16 a 12). Asegúrese de que la LÍNEA, la CARGA y la CONEXIÓN A TIERRA estén fijadas adecuadamente en los puntos de terminaciones proporcionados.



NOTA: El par de torsión de ajuste del tornillo del bloque de terminales debe ser de 0,56 N·m (5 lb-fuerza por pie) como máximo. El tamaño del cable debe ser de 1,29 a 2,06 mm (calibre 12 a 16).

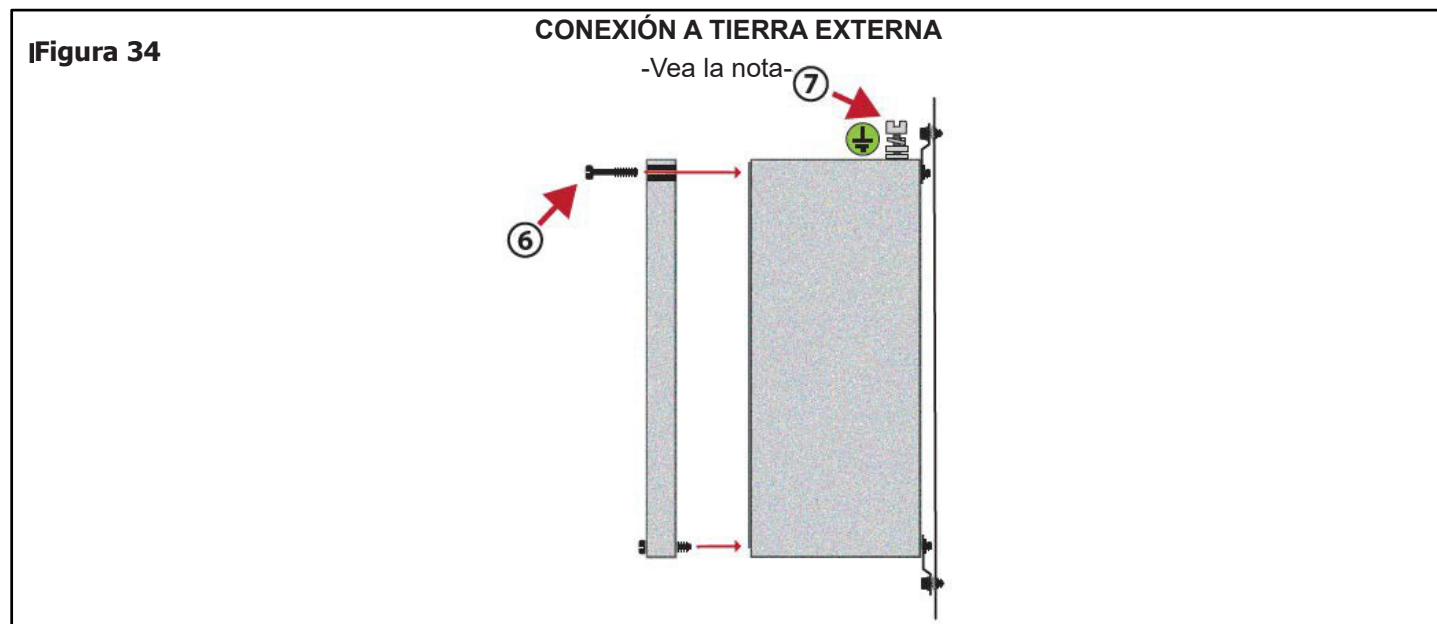
NOTA: Aviso: Este aire acondicionado se debe instalar de acuerdo con las regulaciones nacionales de cableado del país donde se instale. Las conexiones eléctricas al equipo deben llevarse a cabo por personal calificado en virtud de EN/IEC 6079-14. El cableado fijo debe incluir una desconexión en campo (todos los polos). Las reparaciones que afecten la protección de lugares peligrosos deben estar a cargo de un electricista calificado de acuerdo con NEC/CEC 501.10B EN/IEC 60079-19.

NOTA: Para mantener la protección IP44 y la seguridad eléctrica, la unidad Hazardgard debe instalarse de acuerdo con las instrucciones de instalación proporcionadas con este producto.

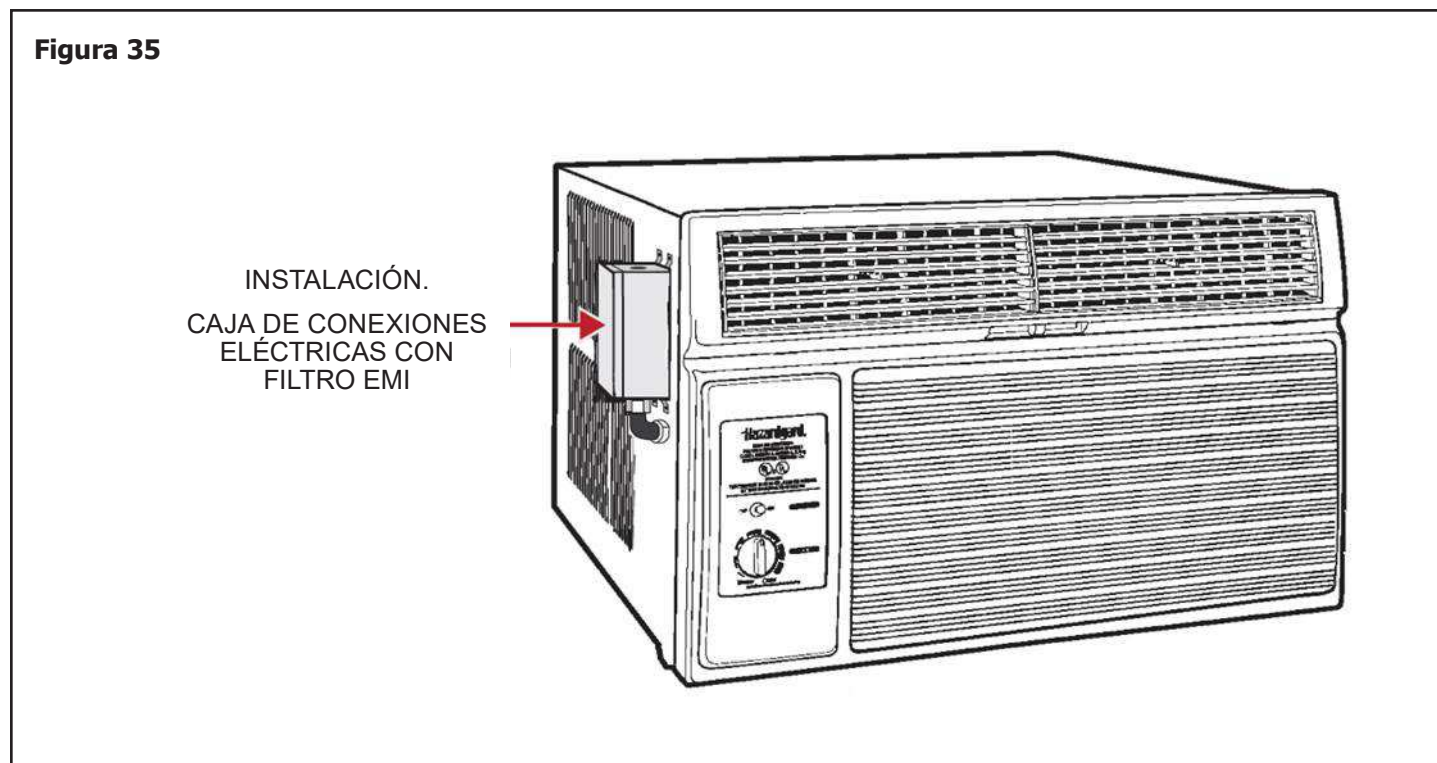
Cableado y preparación del chasis (modelos ATEX e IECEx)

PASO 4 Complete el cableado de la caja de conexiones, cúbrala y ajuste los tornillos de la tapa (figura 34-6) para evitar el ingreso de polvo y humedad.
NOTA: En conformidad con EN/IEC 60079-0, es posible que deba realizarse una conexión a tierra.

Si es necesario, use la abrazadera de conexión a tierra provista que puede admitir dos cables de hasta 6 mm (figura 34-7).



NOTA: Este aire acondicionado se debe instalar de acuerdo con las regulaciones nacionales de cableado del país donde se instale. Las conexiones eléctricas al equipo solo deben llevarse a cabo por personal calificado en virtud de NEC/CEC 501.10 (B) EN/IEC 60079-14. Las reparaciones que afecten la protección de lugares peligrosos deben estar a cargo de un electricista calificado de acuerdo con NEC/CEC 501.10 (B) EN/IEC 60079-19.



Instalación del chasis

PASO 1 Deslice el chasis hacia el tope del gabinete aproximadamente hasta una distancia de 3 in de la inserción completa. Coloque la empaquetadura de sellado del chasis (elemento 12) a una pulgada de profundidad entre el chasis y el gabinete (figura 36). Comience en la esquina inferior y suba por el lateral, por la parte superior y hacia abajo del lado opuesto. Asegúrese de que la empaquetadura se encuentre detrás del conector del conducto (más alejado de usted). Empuje el chasis hacia el armazón la distancia restante, de modo que la parte delantera de plástico cubra el borde delantero del armazón. Fije el pie de montaje de la caja de conexiones al armazón con el tornillo metálico.

Si no se instala la empaquetadura de sellado del chasis, el funcionamiento de la unidad se verá afectado negativamente. Además, se amplificarán el ruido de funcionamiento y el ruido exterior.

PRECAUCIÓN

Peligro de peso excesivo

Se necesitan dos o más personas para instalar el aire acondicionado.

De lo contrario, se pueden producir lesiones en la espalda o de otro tipo.

PRECAUCIÓN



Cortar/Separar

Aunque se ha tenido cuidado de minimizar los bordes filosos en la construcción de la unidad, use guantes u otra protección de las manos cuando manipule la unidad.

De lo contrario, se pueden producir lesiones personales leves a moderadas.

ADVERTENCIA



Riesgo de explosión



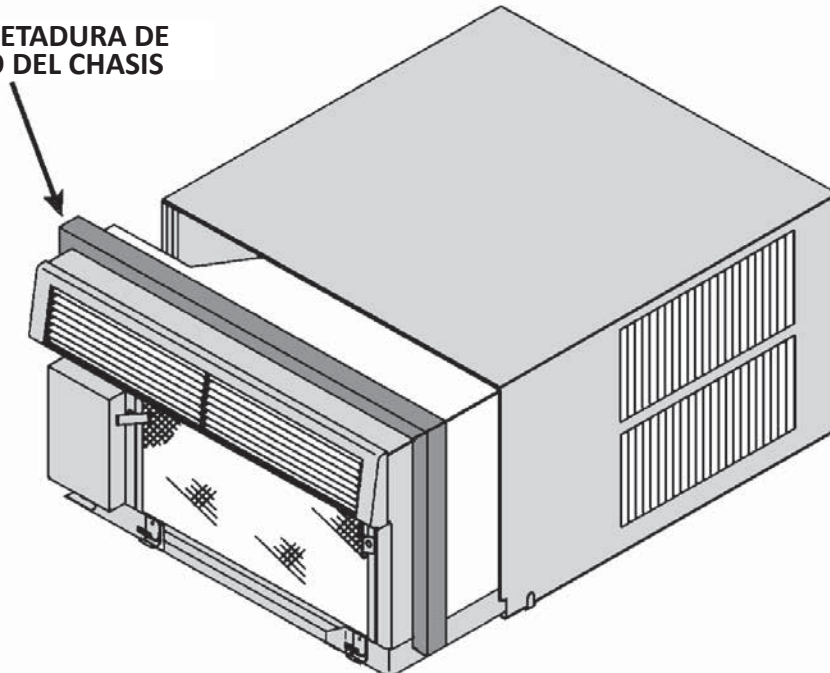
Riesgo de descarga eléctrica

Conecte la unidad al sistema eléctrico conforme al artículo 501 del NEC. De lo contrario, se pueden producir muertes, explosiones, incendios o descargas eléctricas.

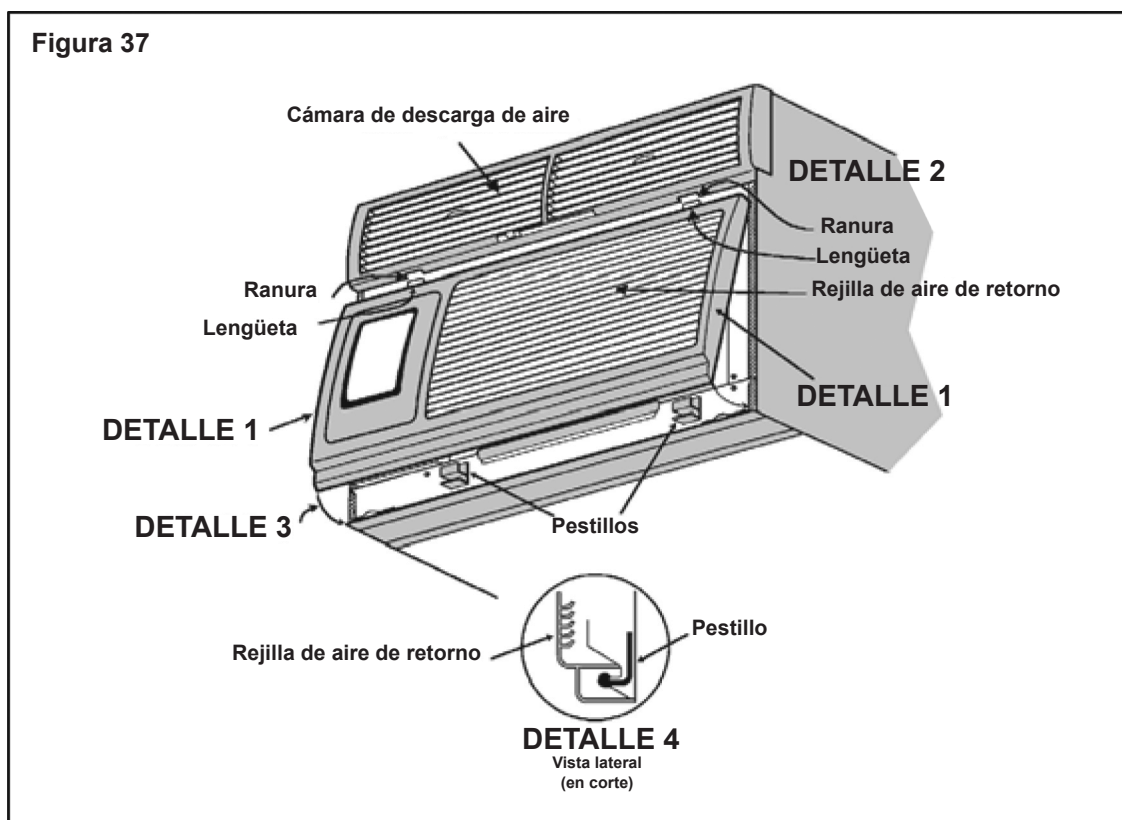
NOTA: Esta caja de conexiones requiere el cableado en campo, en conformidad con el CÓDIGO ELÉCTRICO NACIONAL (NFPA 70, 2008 o edición actual) ARTÍCULO 501. Las conexiones a tierra en campo y del equipo deben tener terminaciones en el poste de la caja de conexiones con el tornillo verde suministrado. Los cables de alimentación del equipo deben conectarse con el suministro en campo con tuercas de cable (no incluidas). Instale la empaquetadura y la placa de cubierta en la caja de conexiones.

Figura 36

EMPAQUETADURA DE SELLADO DEL CHASIS



PASO 2 Asegúrese de que el filtro se encuentre en su lugar e instale la rejilla de aire de retorno (figura 37). La parte superior de la rejilla de aire de retorno puede empalmarse a la parte inferior de la cámara de descarga. Coloque la rejilla en su lugar empujándola hacia arriba y hacia los pestillos de la unidad en la parte inferior. (Vea el detalle 37-4).



PASO 3 Ha finalizado la instalación. Realice una revisión de la instalación para asegurarse de haber instalado la unidad de forma segura.

Ciclo de vida útil

Se alerta a los clientes que deben asegurarse de eliminar la unidad de acuerdo con los lineamientos federales, estatales y locales de su país. Póngase en contacto con el departamento municipal de obras públicas para obtener información sobre los procedimientos de recolección y eliminación de artefactos refrigerados o unidades de aire acondicionado en su vecindario.

Lista de control de mantenimiento

No enfría

Si la unidad funciona, pero no enfría, asegúrese de que los controles tengan el ajuste correcto. Inspeccione el filtro y, de ser necesario, límpielo cuidadosamente. Compruebe si está instalada la junta de sellado del chasis (consulte las instrucciones de instalación).

No funciona

Si la unidad no funciona en absoluto, verifique el ajuste de las conexiones al suministro eléctrico. Compruebe si hay fusibles quemados o interruptores automáticos. Reemplace los fusibles dañados por fusibles de acción retardada apropiados. La placa de identificación de la unidad muestra el tamaño adecuado del fusible. Después de restaurar el suministro eléctrico, espere tres minutos antes de volver a encender la unidad.

El serpentín interior se congela

La unidad Friedrich Hazardgard ha sido diseñada de tal forma que no se congele con temperaturas exteriores de hasta 45 °F (7 °C). Solo podrá congelarse si el aire exterior es húmedo y tiene una temperatura inferior a 45 °F (7 °C). Si el serpentín interior comienza a congelarse cuando la unidad está refrigerando, coloque el termostato en una posición más cálida hasta que el hielo desaparezca. Mantener el termostato en una posición ligeramente más cálida evitará que se forme hielo en el serpentín. Un filtro sucio contribuye al congelamiento del serpentín.

Limpieza

La rejilla frontal y el gabinete de su unidad Friedrich se pueden limpiar con agua tibia y detergente suave. Los serpentines y la bandeja base deben limpiarse periódicamente para un funcionamiento más eficiente. Sugerimos que llame a su distribuidor Friedrich para esta tarea.

Lubricación

Los motores del ventilador vienen lubricados y sellados de fábrica. No necesitan lubricación.



Friedrich Air Conditioning Company
10001 Reunion Place, Suite 500
San Antonio, TX 78216
800.541.6645
www.friedrich.com

HAZARDGARD® UNIDADES DE AIRE ACONDICIONADO GARANTÍA LIMITADA

GARANTÍA DE PIEZAS LIMITADA DE UN AÑO

1. Garantía limitada: un año. Friedrich garantiza el reemplazo de cualquier pieza de esta unidad de aire acondicionado HazardGard debido a un defecto de fabricación o del material durante un (1) año a partir de la fecha original de compra.

2. Garantía limitada: un año. La garantía de Friedrich cubre también el costo de mano de obra para la reparación del compresor, el condensador, el evaporador o las tuberías de conexión que se encuentren defectuosos durante el período de garantía, siempre y cuando la unidad sea devuelta a un centro de reparación autorizado de Friedrich ubicado en la parte continental de EE. UU.

Esta garantía no cubre:

(1) Los costos relacionados con la desinstalación, transporte o reinstalación de la unidad; (2) el costo de la mano de obra para reemplazar otras piezas distintas a las descritas con anterioridad; y (3) ninguna unidad de aire acondicionado HazardGard que haya estado sujeta a (a) accidentes, mal uso, inundaciones, incendios o negligencia; (b) reparaciones o modificaciones que no hayan sido hechas por un distribuidor autorizado o un centro de mantenimiento de Friedrich y que afectan negativamente su rendimiento y confiabilidad; o (c) cualquier reparación o mantenimiento que surja de la utilización de piezas que no hayan sido vendidas ni aprobadas por Friedrich.

LIMITACIONES: Esta garantía es una garantía LIMITADA. No obstante lo dispuesto en la garantía, LAS GARANTÍAS IMPLÍCITAS PARA FINES PARTICULARES Y COMERCIABILIDAD SE LIMITARÁN A LA DURACIÓN DE LA GARANTÍA EXPRESA. EL FABRICANTE EXPRESAMENTE RENUNCIA Y EXCLUYE CUALQUIER RESPONSABILIDAD POR DAÑOS CONSECUENTES O INCIDENTALES POR INCUMPLIMIENTO DE CUALQUIER GARANTÍA EXPRESA O IMPLÍCITA.

El cumplimiento de la obligación de la garantía de Friedrich se limita a uno de los siguientes métodos:

1. Reparar la unidad.
2. Un reembolso al cliente por el valor prorrateado de la unidad en el período de garantía restante de la unidad.
3. Proporcionar una unidad de reemplazo de igual valor.

El método de cumplimiento de la obligación de la garantía queda a criterio exclusivo de Friedrich Air Conditioning.

(11-10)



Friedrich Air Conditioning Company
10001 Reunion Place, Suite 500
San Antonio, TX 78216
800.541.6645
www.friedrich.com

GARANTÍA LIMITADA INTERNACIONAL

TÉRMINOS DE LA GARANTÍA LIMITADA

Friedrich Air Conditioning Co. garantiza al comprador original que este acondicionador de aire Friedrich está libre de defectos en cuanto a material y mano de obra.

Esta garantía se refiere a los defectos de fabricación que puedan aparecer durante el uso normal y se manifiesten durante un período de 12 meses a partir de la fecha de instalación o de 18 meses a partir de la fecha original de compra (fecha de la factura). La obligación de la compañía en virtud de la presente garantía se limita a suministrar (FOB San Antonio, Texas, sin flete pagado), a su exclusivo criterio, una pieza de repuesto adecuada o una pieza o conjunto remanufacturados con el único propósito de reemplazar cualquier pieza o piezas que puedan tener defectos. Todos los reclamos relacionados con la garantía deben dirigirse a un distribuidor de Friedrich autorizado. Friedrich se reserva el derecho de devolver la pieza defectuosa a Friedrich para su revisión a cuenta del cliente.

La presente garantía no se aplica a filtros de aire, fusibles, carcasas de gabinetes, carga de refrigerante y daños a cualquier pieza resultantes de una instalación que no se realice conforme a las recomendaciones del fabricante, ni se aplica a terminaciones exteriores, a menos que en la revisión se determine que estas tenían defectos en el momento del envío original. Esta garantía tampoco se aplica al aire acondicionado Friedrich ni a ninguna de sus piezas que hayan estado sujetas a uso indebido, negligencia, modificación, accidente, inundación, incendio o causa de fuerza mayor. No se aplicará la garantía si el producto se usó en circuitos eléctricos de voltaje y características de ciclo diferentes de los especificados en el modelo y en la placa de número de serie.

TÉRMINOS GENERALES

El suministro de las piezas de repuesto, como se describe anteriormente, constituirá el total cumplimiento de todas las obligaciones con respecto al aire acondicionado Friedrich. En ningún caso, Friedrich asumirá responsabilidad por los costos de servicio y de mano de obra o los cargos de transporte. ESTAS GARANTÍAS REEMPLAZAN CUALQUIER OTRA GARANTÍA, EXPRESA O IMPLÍCITA, INCLUIDAS LAS GARANTÍAS IMPLÍCITAS DE COMERCIABILIDAD O ADECUACIÓN A UN USO ESPECÍFICO.



Friedrich Air Conditioning LLC

10001 Reunion Place, Suite 500

San Antonio, Texas 78216

800.541.6645

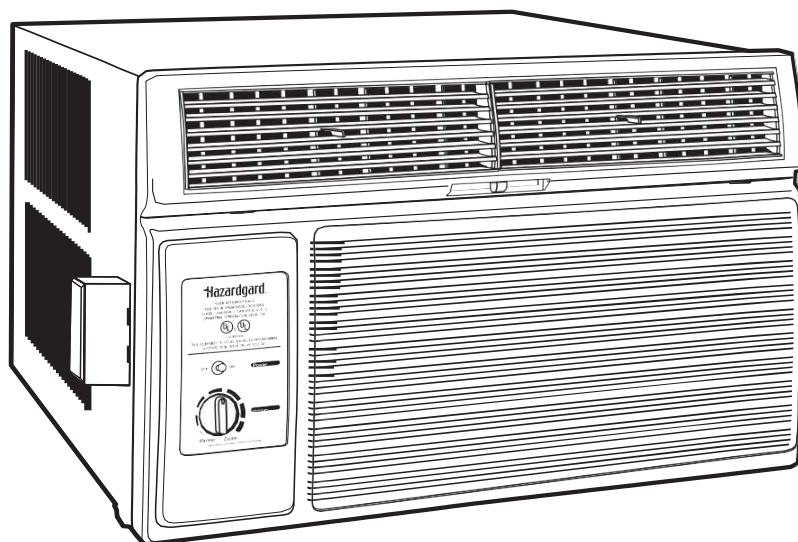
www.friedrich.com

Impreso en México

93031008_00



Hazardgard® Climatiseur individuel pour les lieux dangereux



Le matériel est certifié conformément à :

ISA 12.12.01 et NFPA 70-10
(Code national de l'électricité)

Article 501
Classe I , Div. 2 Groupes A,B,C et D

ATEX*
CE Ex II 3 G Ex nA nC IIC T4 Gc
DEMKO 15 ATEX 1364X

Article 505
Classe I , Zone 2, Groupes IIA IIB + H et IIC

IECEX*
Ex nA nC IIC T Gc IECEX UL15.0051X
8 °C ≤ Tamb ≤ 55 °C

240/220 V, 50 HZ : SH20*
230/208 V : SH15, SH20
230/208 V, 60 HZ ; 240/220 V, 50 HZ : SH 24*




Table des matières

Fonctionnement et entretien

Votre sécurité et celle des autres	2
Instructions générales	3
Informations relatives au filtre	4
Caractéristiques spéciales	5
Tableau de commande.....	5
Underwriters Laboratories.....	6

Instructions d'installation

Exigences électriques	7
Matériel d'installation	8
Déballage de l'appareil	9-10
Jeux extérieurs/intérieurs	11
À travers le mur	12-14
Fenêtre à guillotine	15-20
Préparation et câblage du châssis.....	21-24
Installation du châssis	25-26
Liste de vérification de l'entretien.....	27
GARANTIE.....	28

	 WARNING	 ADVERTENCIA	 AVERTISSEMENT
PRIORITÉ À LA SÉCURITÉ	Do not remove, disable or bypass this unit's safety devices. Doing so may cause, fire, injuries or death.	No extraer, desactivar o eliminar los dispositivos de seguridad de la unidad ya que puede dar lugar a incendios, lesiones o incluso la muerte.	Ne pas supprimer, désactiver ou contourner les dispositifs de sécurité de cet appareil. Faire cela risque de causer un incendie, des blessures ou un décès.
	Do not open when an explosive atmosphere is present.	No abrir la unidad en presencia de una atmósfera explosiva.	Ne pas ouvrir lorsqu'une atmosphère explosive est présente.
	Do not separate when energized.	No mover la unidad cuando está enchufada.	Ne pas séparer sous tension.
	To avoid the buildup of electrostatic charge, regularly clean the unit with a damp cloth.	Para evitar la acumulación de carga electrostática, limpiar con frecuencia la unidad con un paño húmedo.	Pour éviter l'accumulation de charges électrostatiques, nettoyer régulièrement l'appareil avec un chiffon humide.

Félicitations!

Merci pour votre décision d'acheter le Friedrich Hazardgard (Climatiseur individuel pour les tâches risquées). Votre nouveau Friedrich a été soigneusement conçu et fabriqué pour vous donner de nombreuses années de fonctionnement fiable, efficace, tout en gardant un niveau de température et d'humidité agréables. De nombreuses fonctionnalités supplémentaires ont été intégrées à votre appareil pour assurer un fonctionnement silencieux, une plus grande circulation d'air frais et sec et une opération la plus économique.

Instructions générales

Ce Manuel d'installation et d'utilisation a été conçu pour assurer le maximum de satisfaction quant au fonctionnement de votre appareil. Pour vous assurer d'années de fonctionnement sans problèmes, veuillez bien suivre les instructions d'installation. Nous n'insisterons jamais assez sur l'importance d'une bonne installation. Nous avons ajouté de nouveaux renseignements pour les instructions de base afin de vous aider à réaliser une bonne installation.



AVERTISSEMENT

Système de réfrigération sous haute pression.

Ne pas percer, réchauffer, exposer aux flammes ou incinérer.

Seuls les techniciens agréés doivent faire l'entretien de cet équipement.

Les systèmes R410A fonctionnent à des pressions plus élevées que celles de l'équipement R22. Un entretien et une manipulation de sécurité appropriées doivent être utilisés.

Utiliser seulement les ensembles de manomètre conçus pour une utilisation avec le R410A. Ne pas utiliser les ensembles de manomètre R22 standard.



AVERTISSEMENT

Veuillez lire attentivement ce manuel avant l'installation ou le fonctionnement de l'équipement.

Il incombe à l'installateur d'appliquer et d'installer correctement l'équipement. L'installation doit être conforme au Code national de l'électricité NFPA 70-2008 ou sa version actuelle, au Code de la mécanique internationale 2009 ou sa version actuelle et à tous les autres codes locaux ou nationaux en vigueur.

Le non respect de ces instructions peut entraîner des dommages matériels ou des blessures.

Voici quelques suggestions pour vous aider à utiliser votre nouveau Friedrich de la manière la plus efficace :

1. Lire et suivre attentivement les instructions d'installation.
2. Assurez-vous que l'appareil a la bonne capacité pour la zone à couvrir. Un appareil de taille inférieure fait énormément travailler l'appareil, en utilisant plus d'électricité que nécessaire et augmente l'usure. Un appareil de grande taille se met en marche et s'arrête trop rapidement, et donc ne peut pas contrôler parfaitement l'humidité.
3. Lorsque vous allumez le Friedrich, réglez le thermostat sur sa position la plus froide pour refroidir la pièce. Lorsque la température souhaitée est atteinte, tournez la commande du thermostat vers la position « réchauffement » jusqu'à ce que vous entendiez un clic et que le compresseur s'éteigne. Le thermostat fera ensuite tourner le compresseur afin de maintenir la température sélectionnée.
4. Nettoyer le filtre régulièrement (voir Informations relatives au filtre)
5. Ne pas bloquer le flux d'air entrant et sortant de l'appareil. Assurez-vous que les persiennes sont dirigées pour distribuer l'air de manière égale dans toute la pièce. Mise en garde : S'il y a de l'air dirigé dans un espace restreint tel un coin, cela peut entraîner un cycle de marche/arrêt rapide de l'appareil, ce qui pourrait l'endommager.
6. Un filtre sale ou des commandes mal réglées peuvent affecter la capacité de refroidissement de l'appareil.
7. Si le refroidissement est faible et vous avez vérifié que le filtre est propre et les commandes sont correctement réglées, l'appareil peut manquer de réfrigérant et vous devriez appeler votre fournisseur Friedrich pour une vérification de l'appareil.
8. Garder les stores, les volets et les rideaux fermés sur le côté ensoleillé de la pièce en cours de refroidissement.
9. Une bonne isolation de la pièce contribue à ce que votre appareil maintienne la température intérieure souhaitée.
10. Chaque fois que possible, ombragez les fenêtres donnant vers l'ouest avec des auvents, des arbres, ou des vitres teintées.
11. Garder l'appareil loin des produits d'entretien pour vitre afin de fournir un flux d'air sans contaminants.

Votre sécurité et celle des autres sont très importantes.

Nous avons fourni de nombreux messages importants en matière de sécurité dans ce manuel et sur votre appareil. Lisez et respectez toujours tous les messages de sécurité.



Ceci est un symbole d'alerte de sécurité. Ce symbole vous alerte sur les dangers potentiels qui peuvent tuer ou blesser les autres et vous-même.

Tous les messages de sécurité suivront le symbole d'alerte de sécurité avec le mot « AVERTISSEMENT » ou « ATTENTION ». Ces mots signifient :



AVERTISSEMENT Indique un danger qui, s'il n'est pas évité, peut entraîner des blessures graves ou mortelles et des dommages causés sur le produit ou sur d'autres biens.



ATTENTION Indique un danger qui, s'il n'est pas évité, peut entraîner des blessures et des dommages causés sur le produit ou sur d'autres biens.

Tous les messages de sécurité vous diront ce que le danger potentiel est, comment réduire le risque de blessures, et vous diront ce qui va arriver si les instructions ne sont pas suivies.



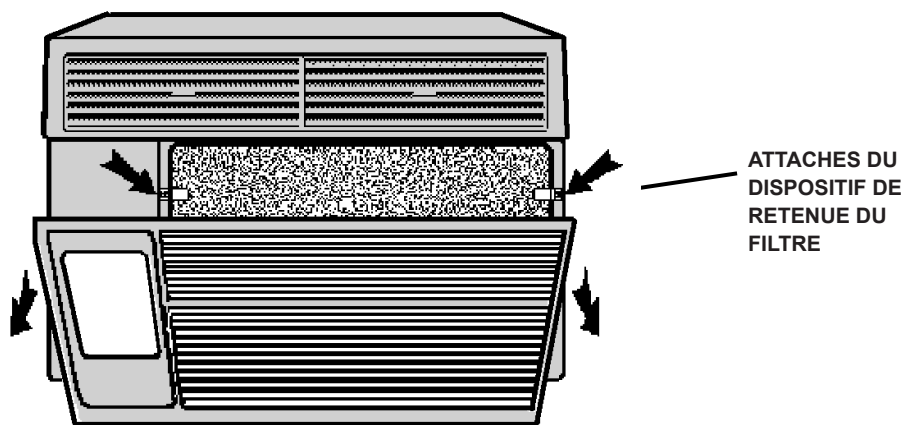
REMARQUE Indique que des dommages sur des biens peuvent se produire si les instructions ne sont pas respectées

Informations relatives au filtre

Le filtre à l'intérieur de votre Friedrich élimine la poussière, le pollen et les autres impuretés de l'air quand ils sont extraits de l'appareil. Le filtre est permanent et réutilisable, et a un traitement germicide qui n'est pas affecté par le lavage périodique.

L'encrassement et les saletés du filtre réduisent le débit d'air dans l'appareil ainsi que son efficacité. Vous devriez vérifier le filtre tous les sept à dix jours, selon le degré d'utilisation de votre appareil. Nettoyez le filtre régulièrement.

Figure 1



Le filtre peut être enlevé pour le nettoyage par l'ouverture de l'avant de l'appareil et en relâchant le filtre de ses attaches de maintien.

Caractéristiques propres à Hazardgard

- Condensateur auxiliaire permanent, moteur avec ventilation complètement fermé pour assurer un fonctionnement efficace même dans des conditions électriques difficiles.
- Le moteur a un axe en acier inoxydable résistant à la corrosion et une surcharge scellée hermétiquement pour un fonctionnement sans problèmes de l'arc.
- Compresseur haute capacité avec surcharge interne scellée hermétiquement.
- Contient un suppresseur de tension transitoire pour protéger les commandes contre les pics de tension. Fournit des interrupteurs statiques pour le fonctionnement de l'arc de couplage.
- Commande de dérivation de l'air chaud ambiant bas pour permettre un fonctionnement sans congélation à des températures d'ambiance extérieures aussi basses que 7 °C (45 °F).
- Les composants électriques IP44 hermétiques aux intempéries protègent contre la pénétration de l'humidité (ATEX et IECEx)
- Finition en poudre de polyester, passée au four pour une belle finition de longue durée
- Bobines à ailettes à revêtement hydrophile en aluminium/tubes en cuivre
- Armoire et plateau de base en acier galvanisé, complètement bondérisés.
- Châssis coulissant pour faciliter l'installation dans la fenêtre ou par le mur.
- Isolation supplémentaire à l'intérieur, y compris la chambre de distribution complètement isolée pour un refroidissement plus silencieux et plus efficace.
- Cycle de test intégral de l'appareil dans un caisson environnemental avant la mise en caisse.
- Contrôle de débit d'air à huit voies pour une circulation uniformisée
- Drain de condensation avec piège à moustiques exclusif.
- Circuit 15 A ou 20 A avec fusible temporisé requis. Peut accueillir le câblage direct.
- Filtre à air épais de 10 mm (3/8 po), avec un traitement germicide, facile à enlever pour le nettoyage

La qualité des climatiseurs Friedrich Air a été prouvée lors de ses 30 ans d'expérience réussis depuis le Golfe du Mexique aux sables ardents du désert arabe

Panneau de commande

Commande de fonction (Alimentation)

Cet interrupteur est un interrupteur à levier, à bascule unique et à pôle double.

AVERTISSEMENT MARCHE - Allume tout.
ÉTEINT - Éteint tout.

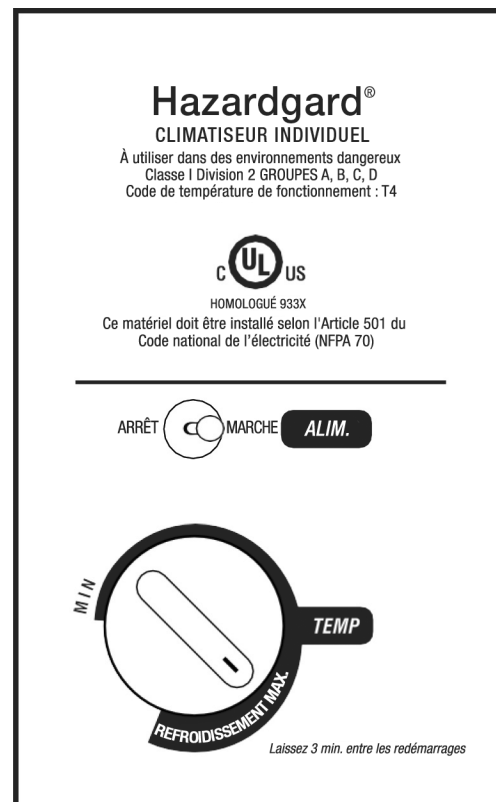
L'ALIMENTATION DOIT ÊTRE DÉBRANCHÉE AU
DISJONCTEUR/FUSIBLE AVANT TOUT ENTRETIEN

Contrôle de la température

Le thermostat est le bouton en bas qui est un croisement de type d'ambiance utilisé pour maintenir le niveau de confort désiré. Le thermostat réagit seulement à un changement de température à l'emplacement de l'ampoule - tournez le bouton dans le sens horaire pour régler le refroidisseur, dans le sens inverse pour plus chaud.

Friedrich est le leader avec les premiers Climatiseurs individuels homologués UL et conçus pour refroidir les lieux de vie et d'autres lieux clos situés dans des environnements dangereux où des liquides ou des gaz volatils inflammables spécifiques sont manipulés ou utilisés avec des conteneurs ou des systèmes fermés.

Les climatiseurs individuels Friedrich Hazardgard sont conçus pour répondre au Code national de l'électricité, aux exigences de l'Article 500 pour la Classe I, Division 2, Groupes A, B, C, D des endroits dangereux, CERTIFIÉ PAR LES LABORATOIRES UNDERWRITERS POUR UNE UTILISATION DANS LA CLASSE 1, Division 2, GROUPES A, B, C, D DES EMPLACEMENTS DANGEREUX.



Normes ATEX et ITEX propres aux modèles SH20N50AT et SH24N20AT

SH20N50AT et SH24N20AT respectent les certifications suivantes :

CERTIFIÉ SELON LA NORME. N° ANSI/ISA 12.12.01,2013
SELON LA NORME N° IEC 60079-0, 6e Édition SELON LA NORME N° IEC 60079-15, 4e Édition
SELON LA NORME N° CAN/CSA C22.2 N° 213-M1987
SELON LA NORME N° CENELEC EN 60079-0: 2012 + A11 : 2013
SELON LA NORME N° CENELEC EN 60079-15 : 2010

CERTIFICATION DEMKO 15 ATEX 1364X II 3 G Ex nA nC IIC T4 Gc
IECEX UL15.0051X DEMKO 15 ATEX 1364X

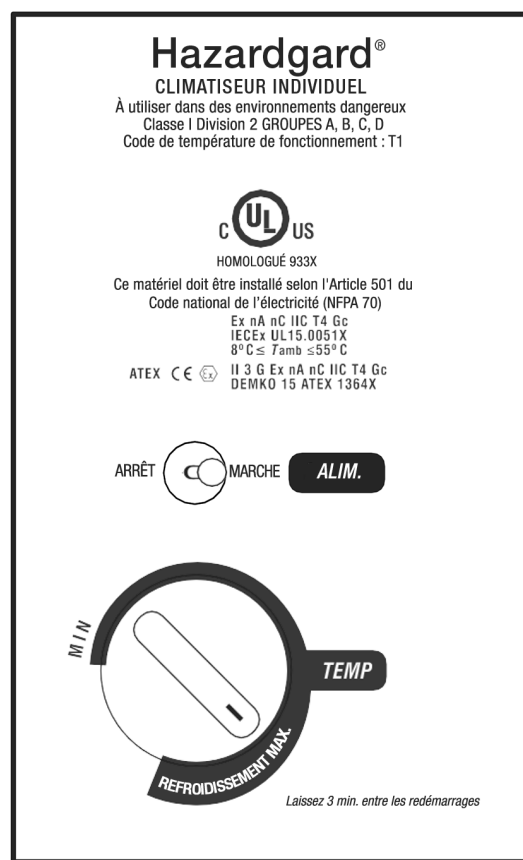
SH20N50AT et SH24N20AT

Conditions spéciales d'emploi

- Des dispositions doivent être prises pour empêcher que la tension nominale soit dépassée par les perturbations transitoires de plus de 140 % de la tension nominale de pointe.
- L'équipement doit être installé uniquement pour utilisation dans des emplacements offrant une protection adéquate contre l'entrée de corps étrangers solides ou de l'eau capable de porter atteinte à la sécurité.
- Seuls les câbles branchés en permanence peuvent entrer dans les goupilles de câble.. L'utilisateur doit fournir la contrainte de traction requise.
- Le degré de protection sera assuré uniquement lorsque les raccords d'étanchéité et du câble d'entrée sont fixés correctement. Les instructions du Fabricant doivent être suivies.
- Les Goupilles de câble doivent être montées dans le boîtier de telle sorte qu'elles soient mécaniquement protégées contre la force de l'impact.
- Pour éviter l'accumulation de charges électrostatiques, nettoyez régulièrement l'appareil avec un chiffon humide.
- L'appareil ne doit pas être utilisé par des personnes (y compris des enfants) présentant des capacités physiques, sensorielles ou mentales réduites ou un manque d'expérience et de connaissances à moins qu'elles n'aient reçu une supervision ou des instructions. Les enfants doivent être avisés de ne pas jouer avec l'appareil.

Les éditions précédentes des Normes ci-après indiquées dans la partie « Normes » de ce Certificat, lorsqu'elles sont appliquées à des Composants intégrés comme dans les références ci-dessous. Il n'y a pas de modifications importantes liées à la sécurité entre ces précédentes éditions et les éditions indiquées dans la partie « Normes ».

Boîtier de jonction, référence de pièce N°25. 10 16 08, fabriqué par Rose.	IEC 60079-7:2006-07, IEC 60079-31 :
--	-------------------------------------



Fridrich Part No. 618-226-66

AVIS : Pour conserver la protection IP44, l'appareil Hazardgard doit être installé conformément aux instructions d'installation indiquées dans ce document.

Instructions d'installation

Modèles SH15, SH20 et SH24

REMARQUE : CE MANUEL COMPREND DES INSTRUCTIONS D'INSTALLATION À LA FOIS POUR LE SUPPORT DES FENÊTRES ET LES INSTALLATIONS À TRAVERS LES MURS

AVERTISSEMENT



Risque d'explosion



Risque de choc électrique

Brancher électriquement l'appareil conformément à l'Article 501 du CNE. Le non-respect de ces instructions peut entraîner un décès, une explosion, un incendie ou un choc électrique

Exigences électriques

TOUT CÂBLAGE SUR SITE DOIT RÉPONDRE AUX EXIGENCES DU CODE NATIONAL DE L'ÉLECTRICITÉ (ANSI/NFPA 70) - ARTICLE 501.

LE DISPOSITIF DE PROTECTION DE CIRCUIT FOURNI SUR LE SITE (DISJONCTEUR HACR OU FUSIBLE TEMPORISÉ) NE DOIT PAS DÉPASSER LE COURANT ADMISSIBLE INDIQUÉ SUR LA PLAQUE SIGNALÉTIQUE DU PRODUIT.

IMPORTANT : Avant de commencer l'installation proprement dite de votre climatiseur, vérifiez les codes électriques locaux et l'information ci-dessous.

Votre alimentation doit avoir la même tension et fréquence (Hertz) alternative, telles qu'indiquées sur la plaque signalétique située sur le châssis. Seul le courant alternatif (CA), et non le courant continu (CC), peut être utilisé.

Un circuit en surcharge ne manquera pas de provoquer un dysfonctionnement ou l'échec du climatiseur; par conséquent, il est extrêmement important que l'alimentation électrique convienne. Consultez votre revendeur ou votre compagnie d'électricité en cas de doute.

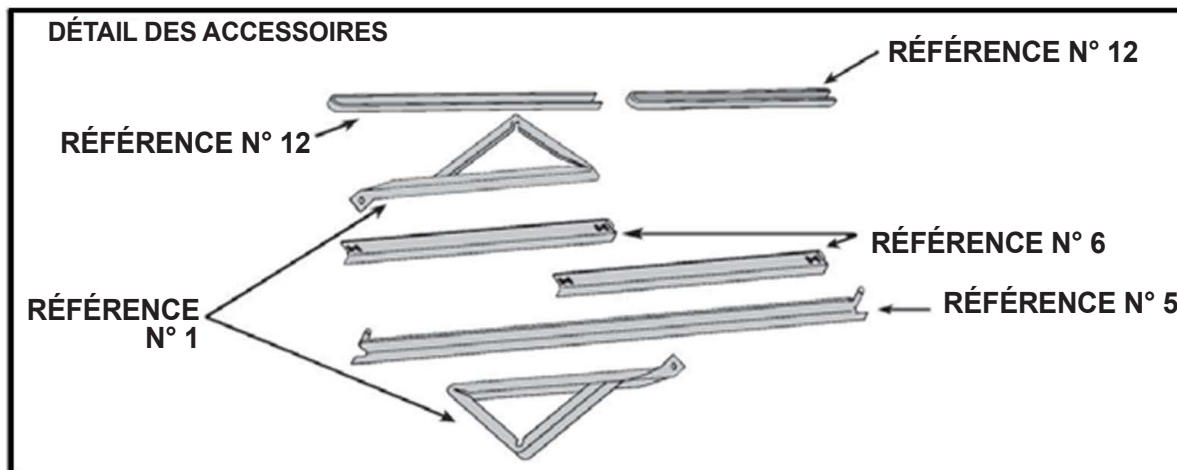
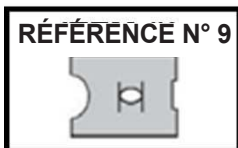
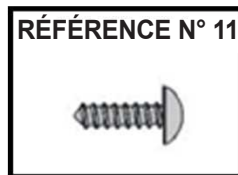
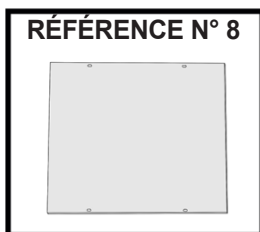
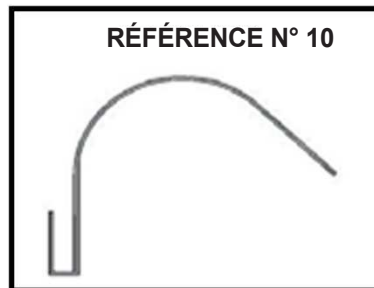
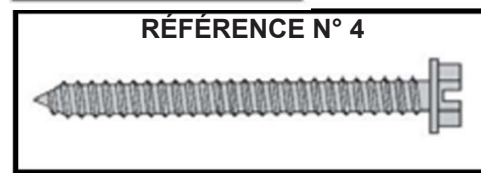
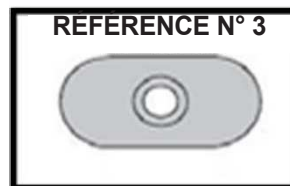
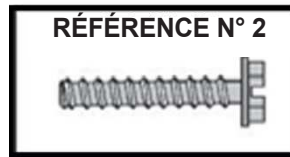
Les instructions suivantes concernent les modèles HAZARDGARD et les tailles d'armoire mentionnés ci-dessous.

GROUPES	TAILLE DE L'ARMOIRE (H x L x P)
PETIT CHÂSSIS SH15	405 mm x 660 mm x 695 mm (15 15/16 po x 25 15/16 po x 27 3/8 po)
CHÂSSIS MOYEN SH20, SH 24	455 mm x 660 mm x 695 mm (17 15/16 po x 25 15/16 po x 27 3/8 po)

Numéro de modèle	Type de prise	Intensité du circuit Fusible temporisé
SH15	Boîtier de jonction	250 V-15 A
SH20, SH24	Boîtier de jonction	250 V-15 A, 250 V-20 A

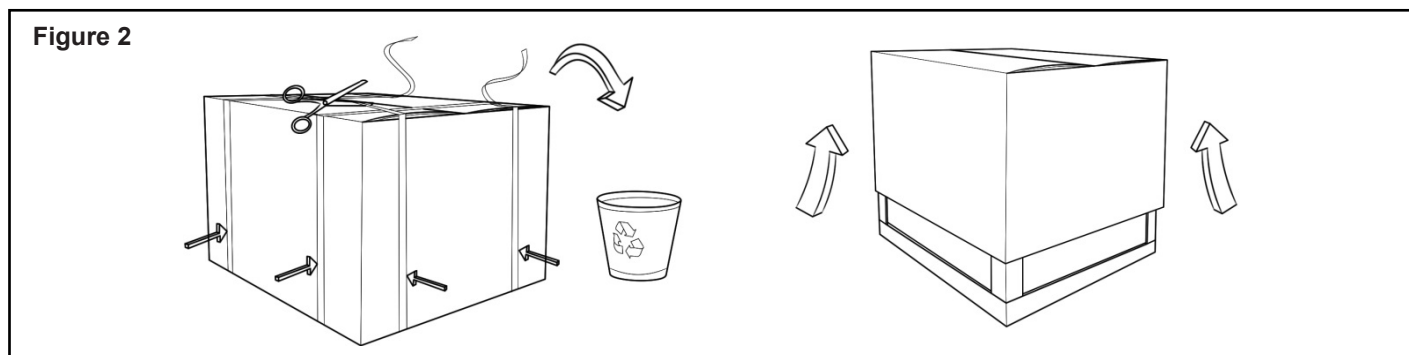
Matériel d'installation pour le support de la fenêtre

N° de référence	DESCRIPTION	QTÉ
PIÈCES DE MONTAGE DE L'ARMOIRE		
1	PATTE DE SUPPORT	2
2	VIS, À TÊTE HEXAGONALE 10 - 24 DE 1 PO	4
3	ÉCROU PLAT 10 - 24	4
4	VIS, TÔLE N°12A DE 2 PO	7
PROFILÉ DE MONTAGE DU PANNEAU LATÉRAL		
5	PROFILÉ DU PANNEAU LATÉRAL, SUPÉRIEUR	1
6	PROFILÉ DU PANNEAU LATÉRAL, CÔTÉ	2
7	VIS, TÔLE N°8A DE 3/8 PO	2
PIÈCES DE MONTAGE DU PANNEAU LATÉRAL		
8	PANNEAU LATÉRAL (MASONITE)	1
9	ÉCROU RAPIDE DE TYPE « J »	4
10	AGRAFE DU PANNEAU LATÉRAL	4
11	VIS N°8A DE 1/2 PO PHILLIPS TRUSS HD.	4
JOINTS DE VITRE		
12	JOINT D'ÉTANCHÉITÉ DE FENÊTRE (MOUSSE NOIRE)	1



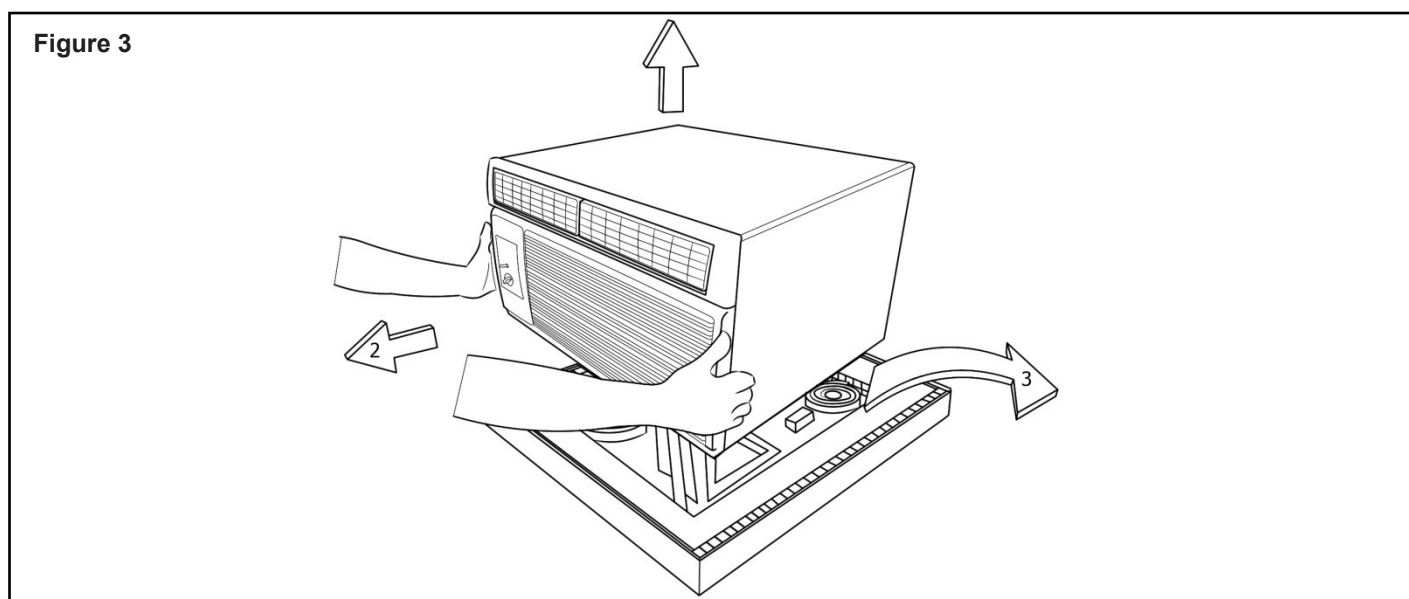
Déballage de l'appareil

ÉTAPE 1 Coupez les sangles d'emballage et enlevez la boîte en la tirant vers le haut, enlevez la tige de coin et l'emballage de protection, conservez le panneau latéral dans un endroit sûr, il sera utilisé plus tard.

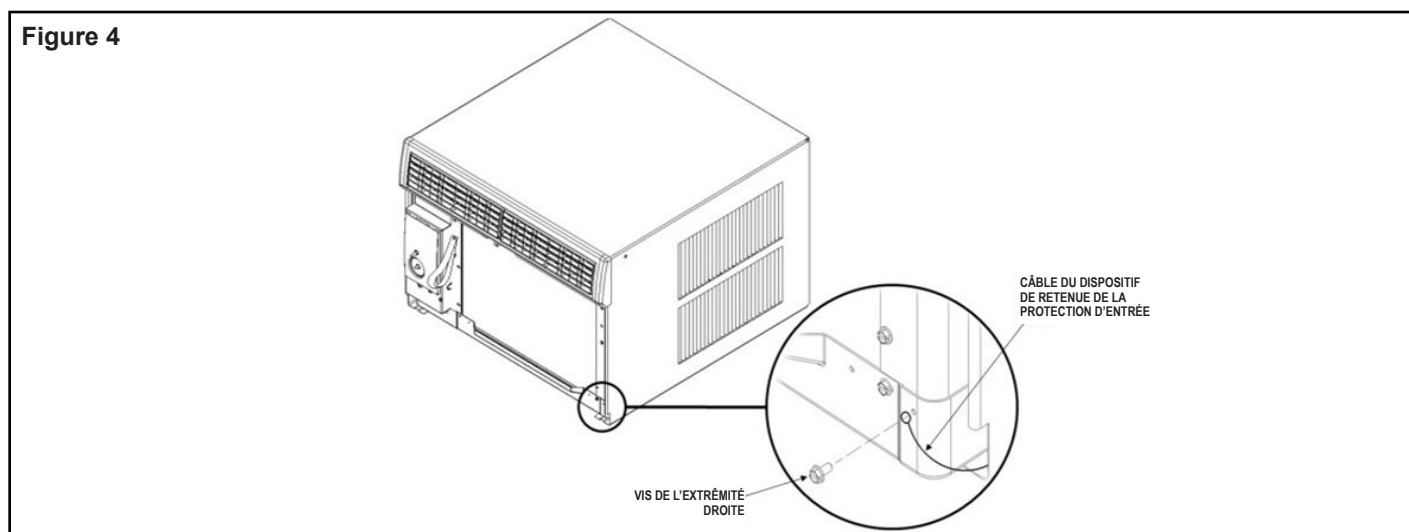


ÉTAPE 2 Enlevez le plastique décoratif de la grille d'air de retour et rangez-le dans un endroit sûr loin de l'appareil.

ÉTAPE 3 Enlevez le matériel d'installation, les deux joints sous l'appareil et placez-les dans un endroit sûr loin de l'appareil.



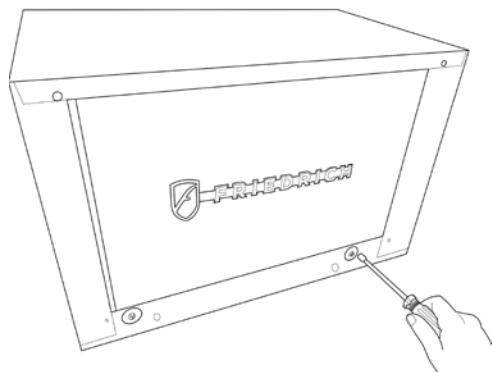
ÉTAPE 4 Enlevez le dispositif de retenue du châssis en enlevant la vis de l'extrémité droite du plateau (voir la Figure 4) ; gardez cette vis pour la fixer à nouveau sur le dispositif de retenue du châssis après l'installation.



Déballage de l'appareil

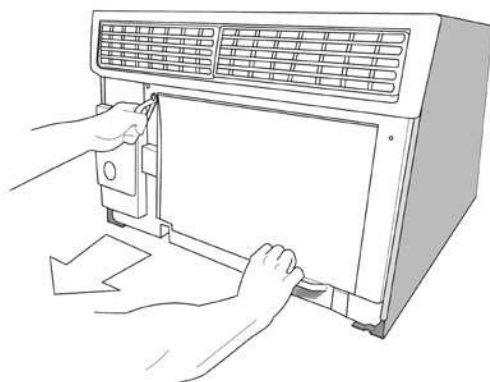
ÉTAPE 5 Enlevez et jetez les deux vis de fixation et les douilles en plastique situées à l'arrière de l'appareil. (Figure 5)

Figure 5



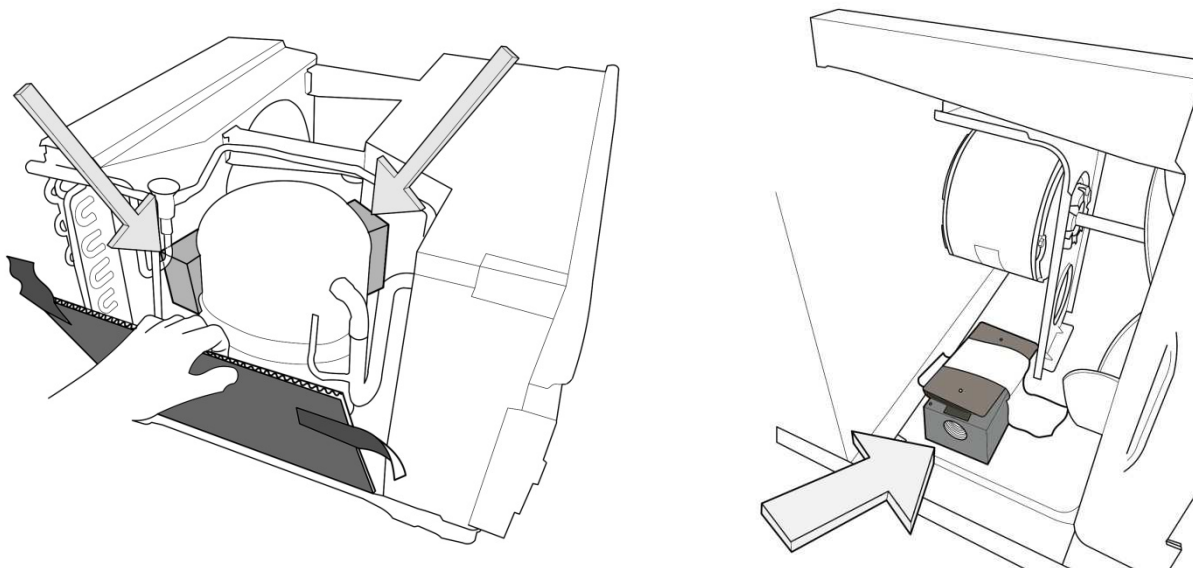
ÉTAPE 6 Pendant qu'un assistant tient l'armoire immobile, utilisez la main pour tirer sur l'avant du plateau de base (voir la Figure 6) afin de retirer le châssis de l'armoire.

Figure 6



ÉTAPE 7 Enlevez les blocs de mousse blanche utilisés pour contenir le compresseur au cours de l'expédition. Enlevez également la boîte de jonction du dessous du moteur de ventilateur.

Figure 7



Installation : Jeux extérieurs/intérieurs

Figure 8

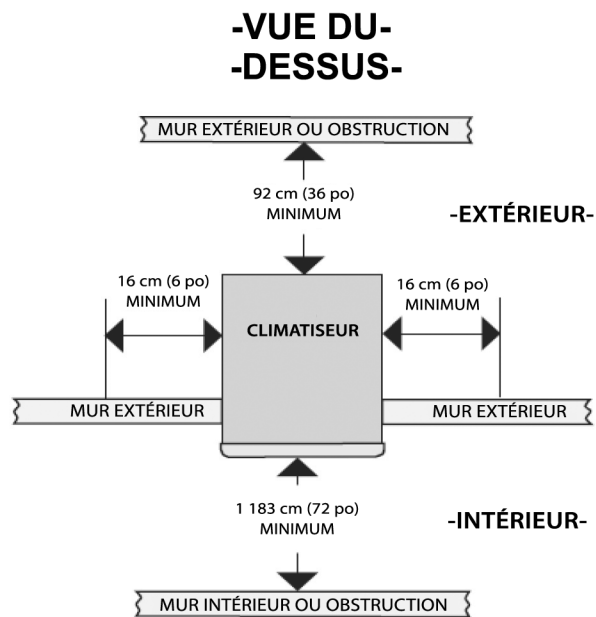
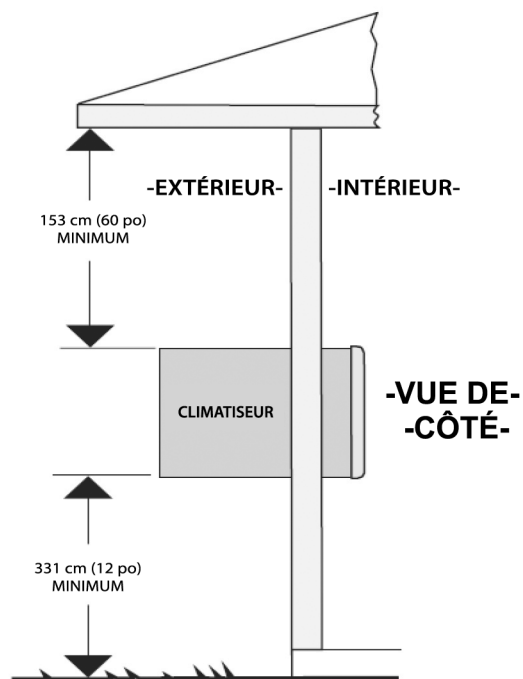


Figure 9



Installation de l'armoire : Installations à travers le mur (lors de l'expédition de l'appareil)

⚠ AVERTISSEMENT

Risque de chute d'objet

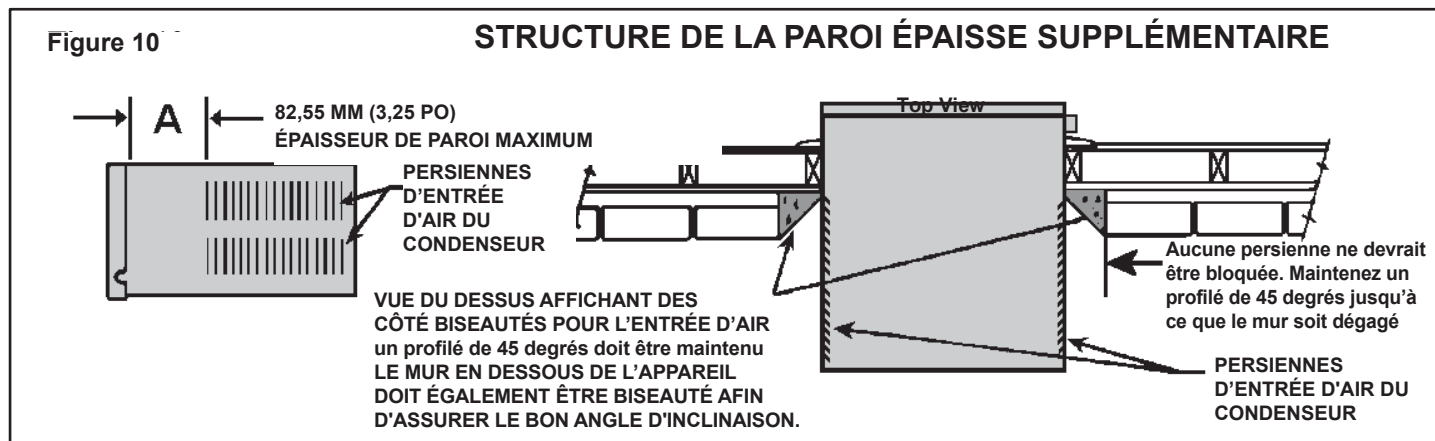
Ne pas respecter les Instructions d'installation pour le montage de votre climatiseur peut entraîner des dégâts ou des blessures graves, voire mortelles.

Préparation du mur

L'épaisseur maximale et tolérée du mur sans construction spéciale est déterminée en fonction de la taille du modèle à installer. LES PERSIENNES D'ENTRÉE D'AIR EXTÉRIEURE DE L'ARMOIRE NE DOIVENT PAS ÊTRE BLOQUÉES À CAUSE DE L'EXTENSION À L'INTÉRIEUR DE LA SURFACE DU MUR. Observez l'épaisseur maximale du mur affichée comme dimension « A » dans (Figure 10).

Instructions particulières pour les murs épais supplémentaires

Pour l'installation dans les murs dépassant l'épaisseur maximale affichée comme dimension A, la proposition de construction suivante peut s'appliquer. (Voir Figure 10).

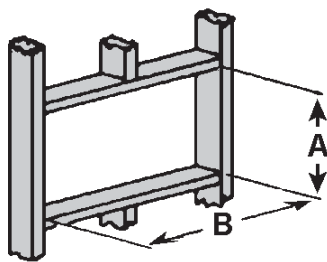


ÉTAPE 1 VÉRIFIER LE CÂBLAGE ET LA PLOMBERIE : Vérifiez tout le câblage et la plomberie à l'intérieur et à l'extérieur du mur afin d'être certain qu'aucun n'est brisé là où le trou est à couper.

ÉTAPE 2 STRUCTURE DU TROU Selon la taille de l'appareil à installer, préparez les dimensions du trou en conformité avec le tableau ci-dessous (Voir la Figure 11). Coupez et encadrez le trou selon les dimensions finies. Utilisez le matériel 2 po x 4 po pour le cadre et suivez les installations typiques proposées dans (Figure 12, 13 ou 14) à la page 13.

REMARQUE : SI LA CONSTRUCTION DE LA PAROI EST UN CADRE TYPIQUE OU UN CLOUTAGE DE 2 x 4 AVEC DES PLACAGES DE BRIQUE OU DE PIERRE, LOCALISEZ LE TROU À CÔTÉ DE L'UN DES GOUJONS. POUR LA MAÇONNERIE, LE BÉTON OU LES MURS EN BLOC DE BÉTON D'ESCARBILLES LOCALISEZ LE TROU POUR PLUS DE COMMODITÉ.

Figure 11



EXIGENCES DE LA TAILLE DU TROU

DIMENSION FINIE	CHÂSSIS SH15	CHÂSSIS SH20, SH24
A	41 cm	46,2 cm
B	66,5 cm	66,5 cm

REMARQUE : CES DIMENSIONS CONCERNENT LA TAILLE DU TROU FINI

Figure 12

CONSTRUCTION DE L'OSSATURE DU MUR

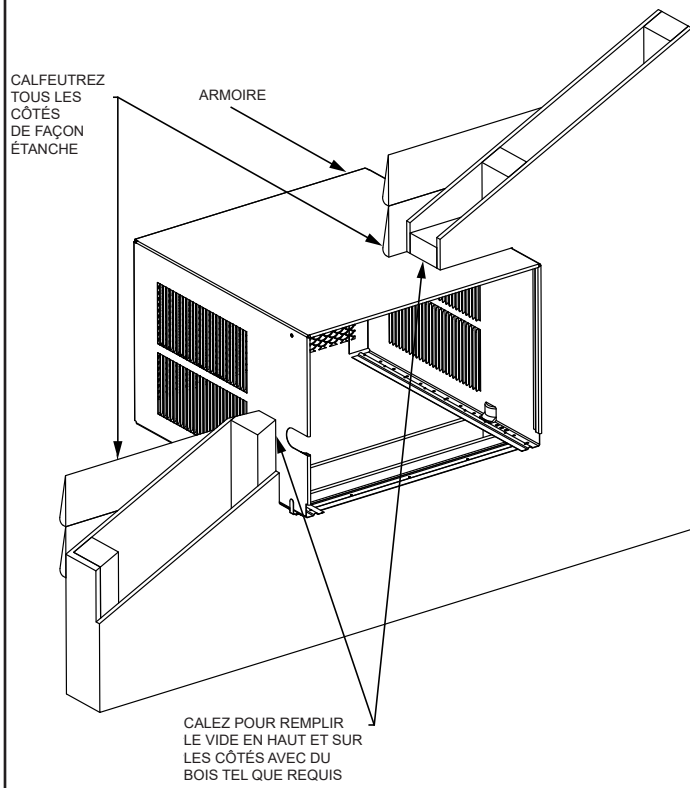


Figure 13

CONSTRUCTION DU PLACAGE EN BRIQUE

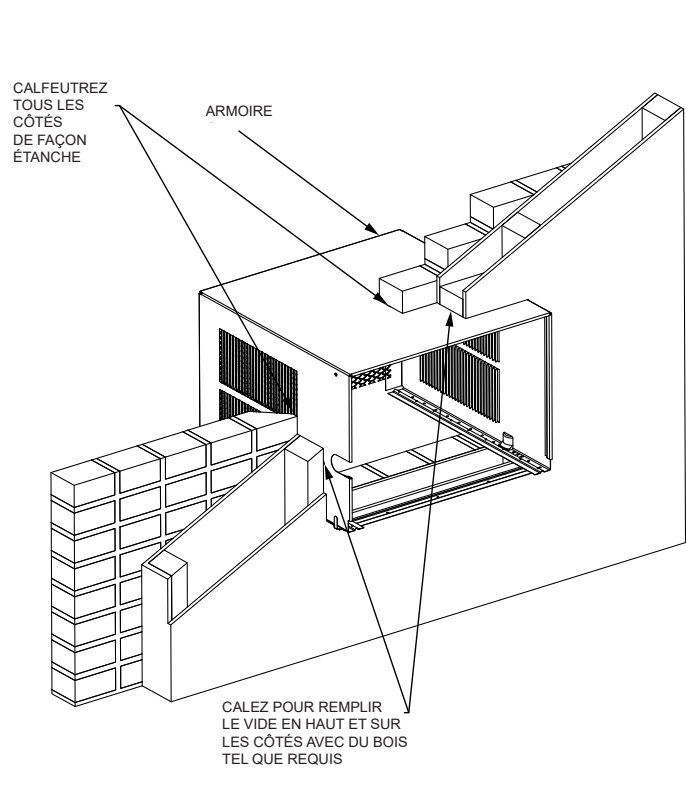
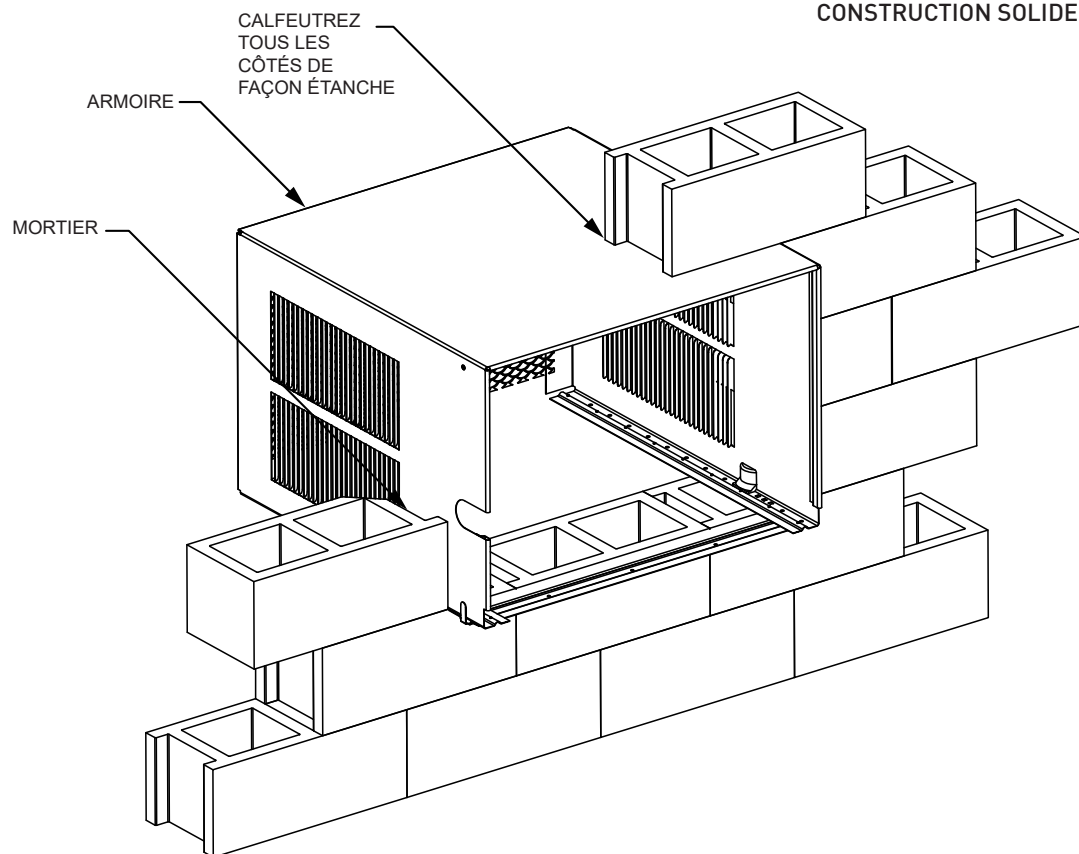


Figure 14

CONSTRUCTION SOLIDE EN MAÇONNERIE

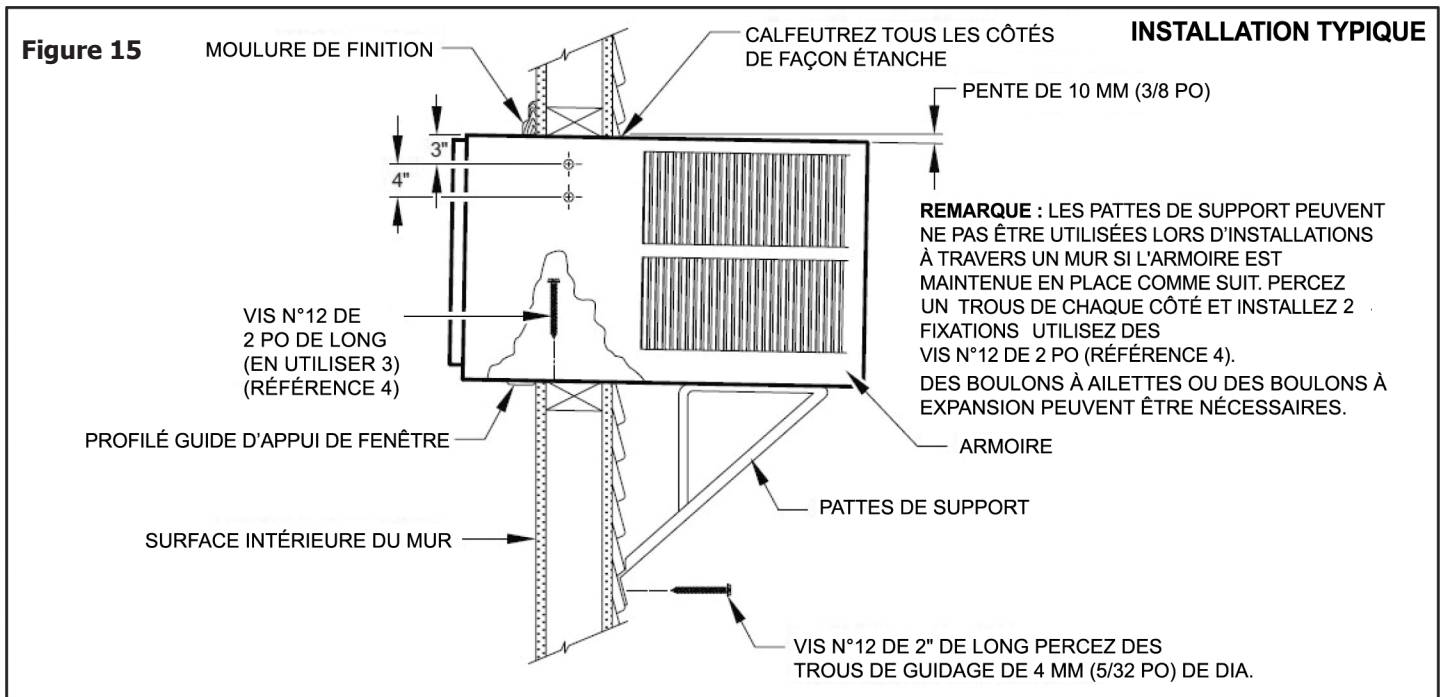


ÉTAPE 3 Faites glisser l'armoire dans le trou à une distance suffisante pour permettre le canal de guidage du lisse bas d'entrer en contact avec la surface intérieure du mur (Voir Figure 15).

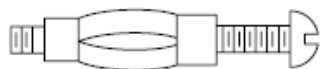
ÉTAPE 4 Percez trois (3) trous de guidage de 5/32 po de diamètre à travers les trous du lisse bas dans l'ossature et installez trois (3) longues vis N°12 de 2 po (Référence N°4) (Voir Figure 15)

REMARQUE

Les instructions de montage du manchon avec pente doivent être observées pour éviter toute pénétration d'eau dans la pièce. Des dommages potentiels sur des biens peuvent se produire si les instructions ne sont pas respectées.



REMARQUE : ALTERNEZ LES FIXATIONS QUI PEUVENT ÊTRE UTILISÉES POUR FIXER LE LISSE BAS DANS LE MUR ET LES PATTES DE SUPPORTS NE SONT PAS FOURNIES POUR LE MUR EXTÉRIEUR MAIS SONT DISPONIBLES DANS UN MAGASIN DE MATÉRIEL LOCAL.



BOULON OU BOULON À AILETTES



BOULON DE FIXATION À EXPANSION

ÉTAPE 5 Percez deux (2) trous de guidage de 4 mm (5/32 po) de diamètre sur chaque côté aux endroits indiqués (Figure 15) et installez quatre (4) vis N° 12 de 2 po (Référence N°4). Si le trou de la construction à l'Étape 2 fournit un support robuste avec des goujons verticaux solides, il est inutile d'utiliser des pattes de support. L'installation doit supporter le poids de l'appareil et un poids supplémentaire de 185 kg (400 lb) à l'arrière de l'armoire. Les pattes de support peuvent être utilisées pour les installations à travers le mur comme indiqué dans (Figure 15), pour un support supplémentaire.

ÉTAPE 6 Si vous le souhaitez, garnissez autour de l'armoire sur le côté chambre avec un moulage du cadre approprié fourni par l'installateur (Voir Figure 15).

ÉTAPE 7 Passez au câblage et à la préparation du châssis à la page 21 pour ce qui n'est pas ATEX ou à la page 23 pour ATEX et IECEx.

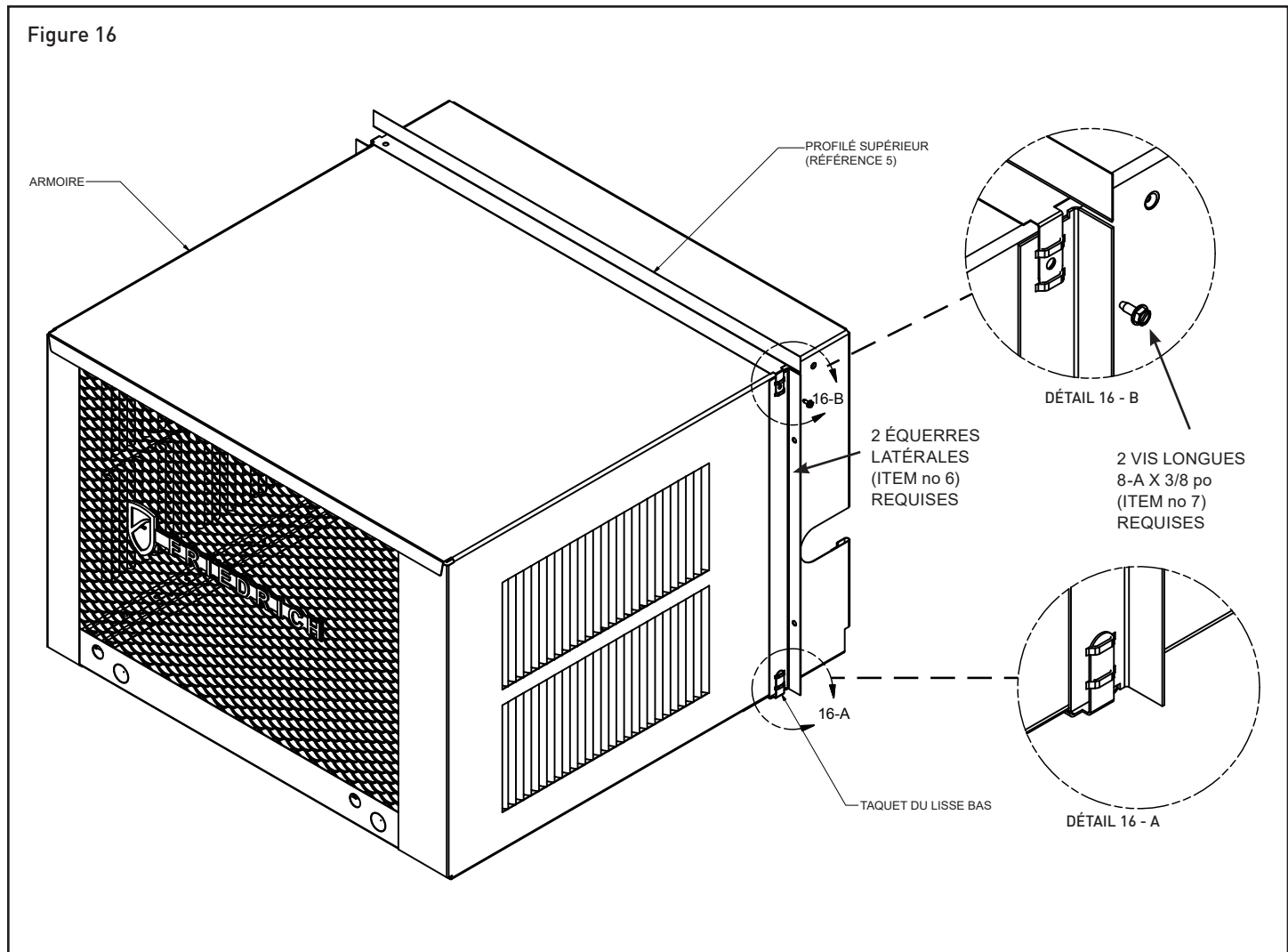
Préparation de l'armoire (coque de protection) pour l'installation

ÉTAPE 1 Enlevez le lisse bas et pliez les raccordements et réinstallez. Voir (DÉTAIL 16-A).

ÉTAPE 2 Prenez les profilés latéraux (référence N° 6) et insérez ses boucles dans les taquets (des deux côtés) du lisse bas. (DÉTAIL 16-A).

ÉTAPE 3 Prenez la bride supérieure (référence N° 5) et insérez ses taquets dans les boucles supérieures des brides latérales (DÉTAIL 16-B).

ÉTAPE 4 Installez deux (2) vis (référence N° 7) pour fixer les taquets du profilé supérieur et le profilé latéral sur côté de l'armoire (DÉTAIL 16-B).



Installation de l'armoire : Installations de la fenêtre à guillotine

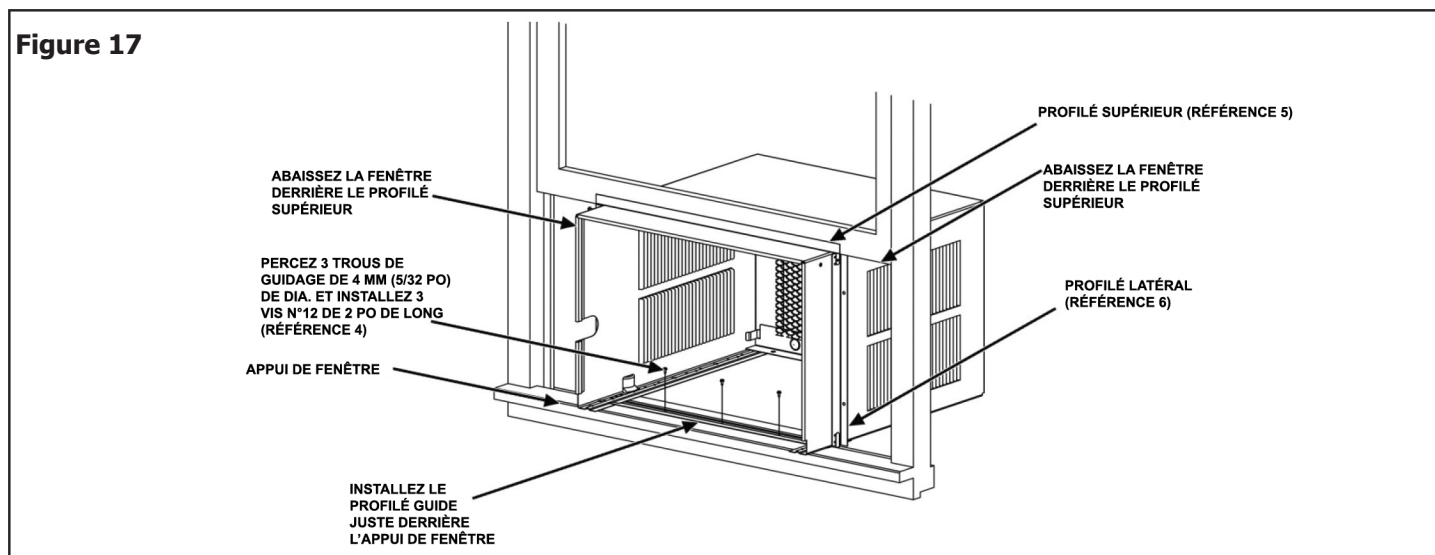
AVERTISSEMENT

Risque de chute d'objet

Ne pas respecter les Instructions d'installation pour le montage de votre climatiseur peut entraîner des dégâts ou des blessures graves, voire mortelles.

- ÉTAPE 1 Vérifiez l'appui et le cadre de fenêtre être sûr qu'ils sont en bon état et solidement fixés au mur. Réparez si nécessaire.
- ÉTAPE 2 MONTAGE DE L'ARMOIRE : Relevez le châssis de fenêtre inférieur 6 mm (1/4 po) plus que la hauteur de l'armoire. Faites glisser soigneusement l'armoire dans la fenêtre ouverte jusqu'à ce que le canal du lisse bas repose derrière l'appui de fenêtre et que le profilé de support supérieur (référence N°5) repose contre la fenêtre (Voir Figure 17). Centrez l'armoire de part et d'autre et percez trois (3) trous de 5/32 po de diamètre dans l'appui de fenêtre à l'aide des trous dans le lisse bas de l'armoire comme guide. Installez trois (3) longues vis N°12A de 2 po (référence N°4) (Voir Figure 17).

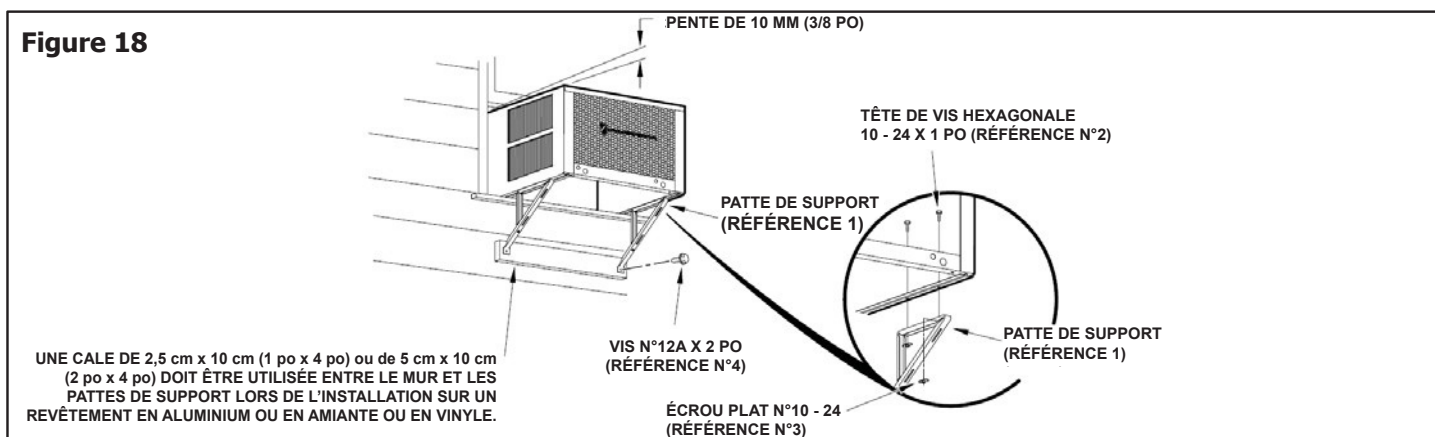
Figure 17



- ÉTAPE 3 MONTAGE DU SUPPORT EXTÉRIEUR : Assemblez les pattes de support (référence N°1) aux rails du dessous de l'armoire avec quatre (4) longues vis 10-24 de 1 po (Référence N°2) et quatre (4) écrous plats 10-24 (Référence N°3). Réglez les pattes de support pour faire entrer en contact les coussinets avec la surface du mur. (Voir Figure 18).

UNE CALE DE 2,5 cm x 10 cm (1 po x 4 po) ou de 5 cm x 10 cm (2 po x 4 po) DOIT ÊTRE UTILISÉE ENTRE LE MUR ET LES PATTES DE SUPPORT LORS DE L'INSTALLATION SUR UN REVÊTEMENT EN ALUMINIUM OU EN VINYLE. Percez des trous de guidage de 4 mm (5/32 po) de diamètre et fixez les supports au le mur avec deux (2) longues vis N°12A de 2 po (Référence N°4). Réglez les pattes de support pour fournir une pente approximative de 10 mm (3/8 po) vers l'extérieur pour la vidange. Serrez toutes les vis. (Voir Figure 18).

Figure 18



Installation typique : LISSE BAS

Les illustrations ci-dessous montrent une installation de la construction d'un châssis standard ainsi que certaines solutions suggérées pour adapter la patte de support aux murs épais et de grandes pièces d'appui en brique.

REMARQUE

Les instructions de montage du manchon avec pente doivent être observées pour éviter toute pénétration d'eau dans la pièce.

Le non-respect des instructions peut entraîner des dégâts matériels.

Figure 19

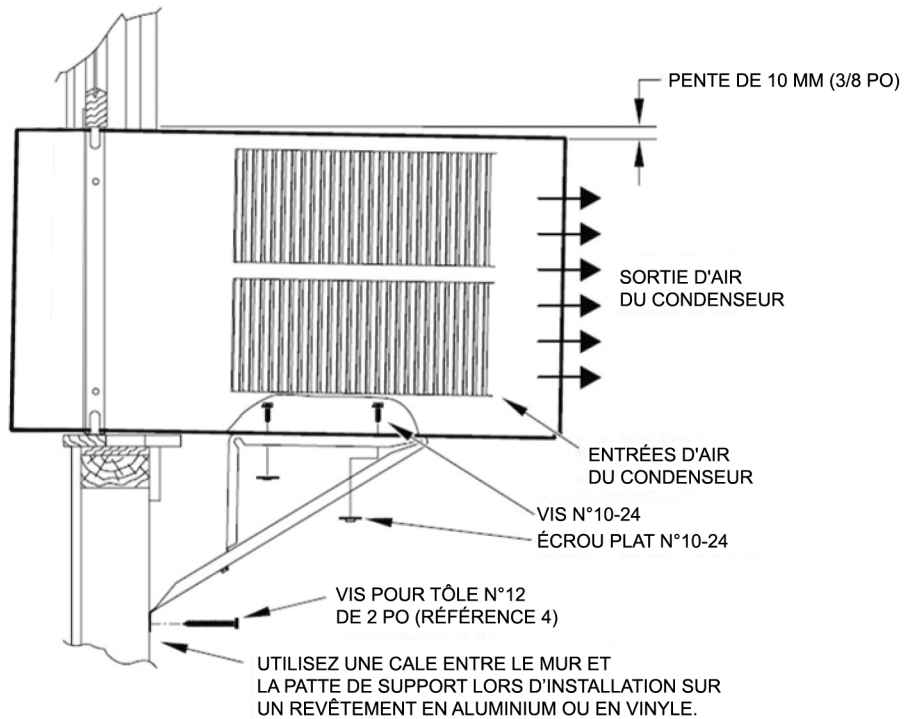
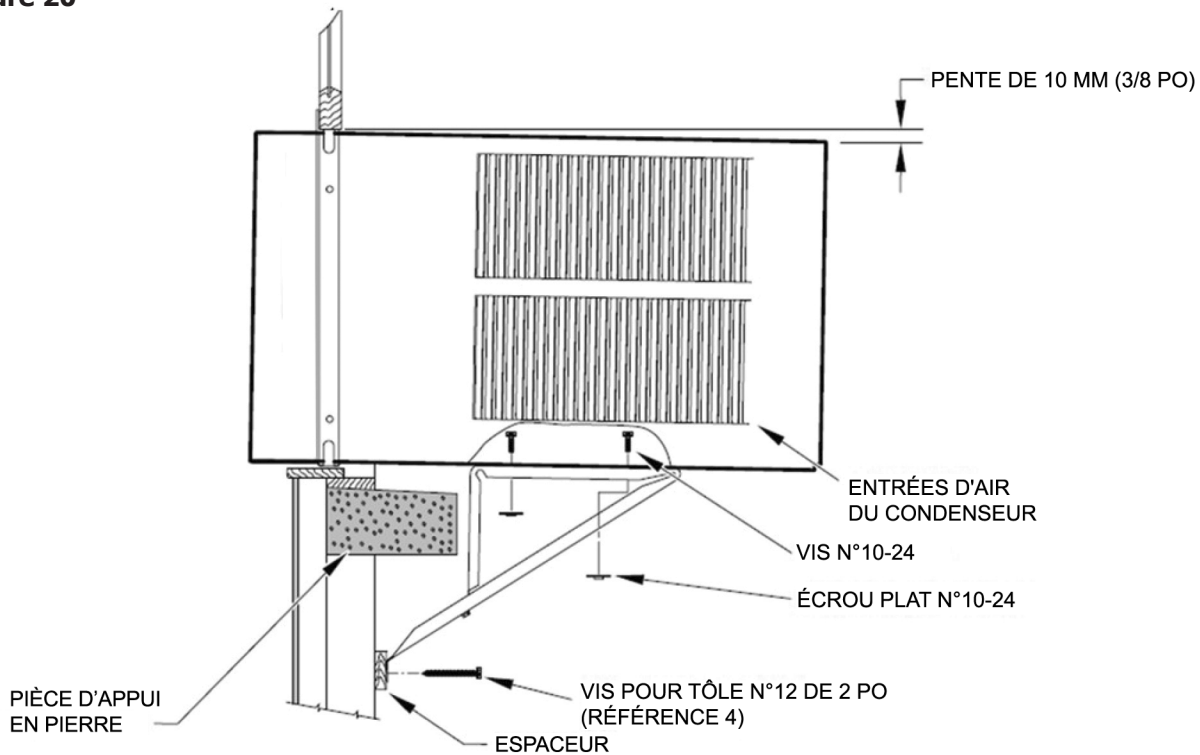


Figure 20



Installation typique : Lisse bas (suite)

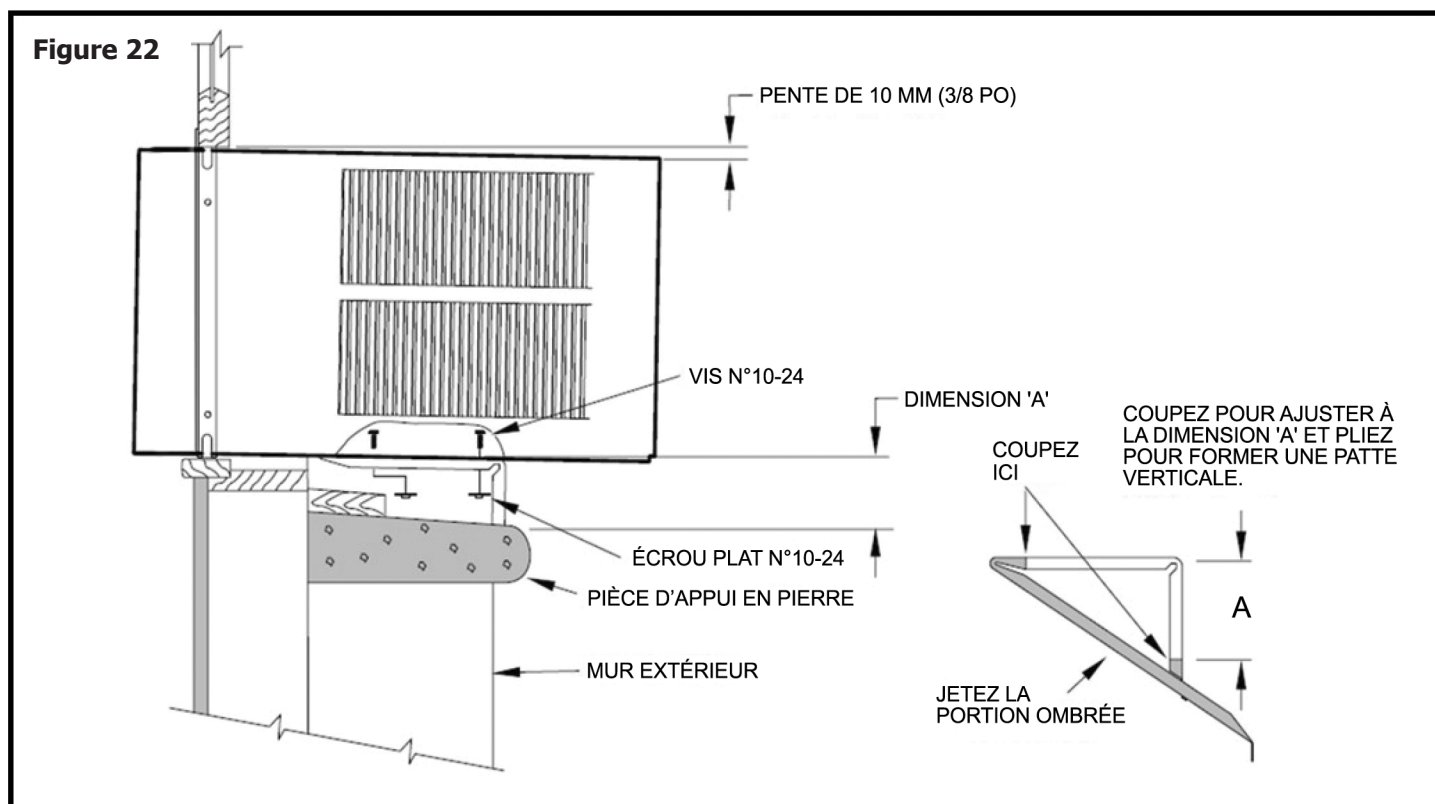
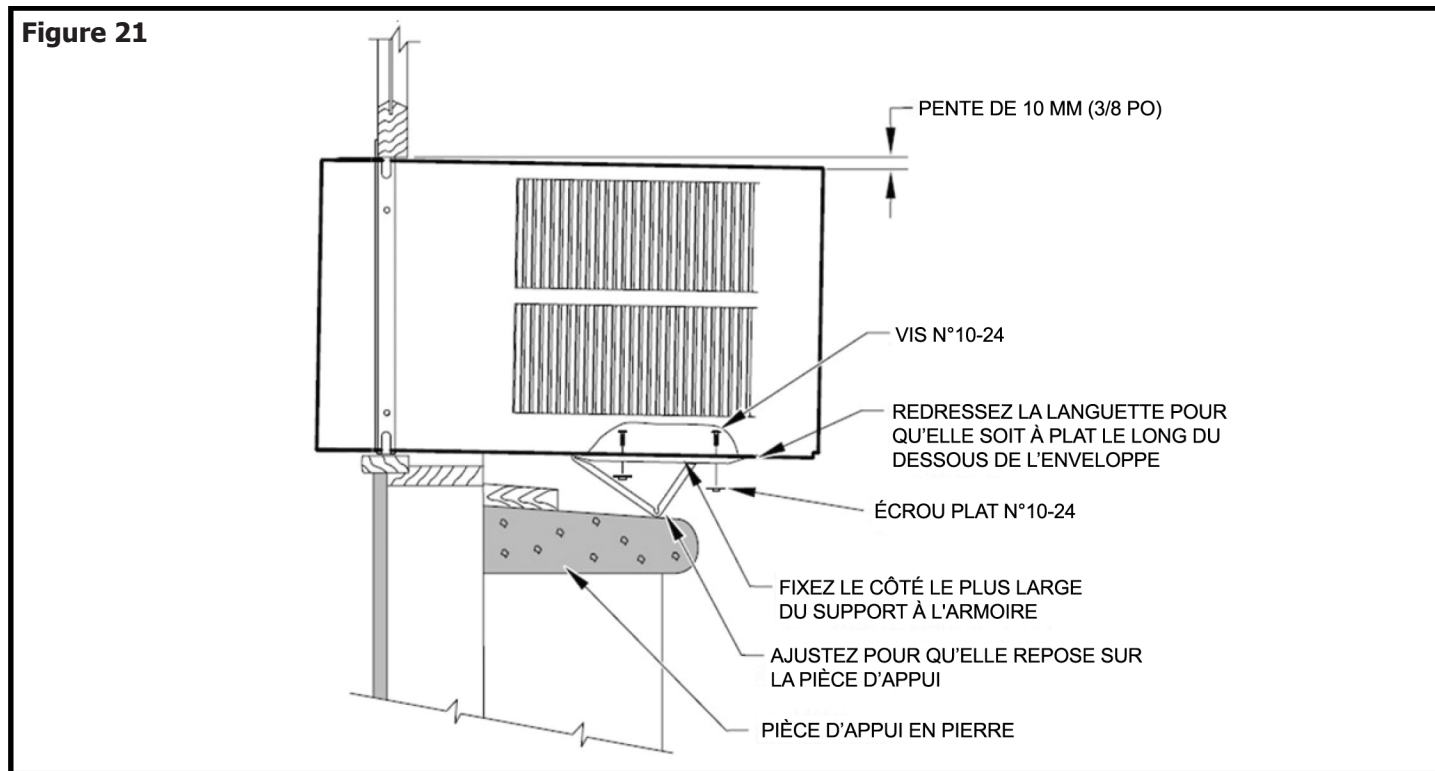
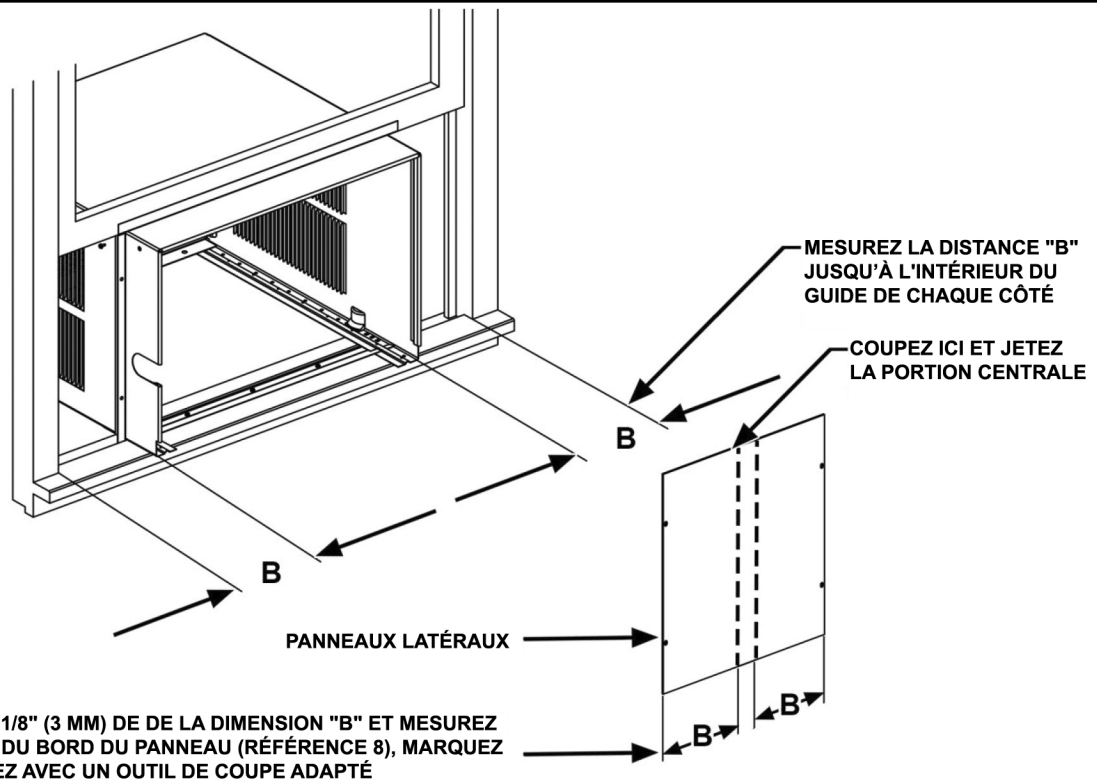


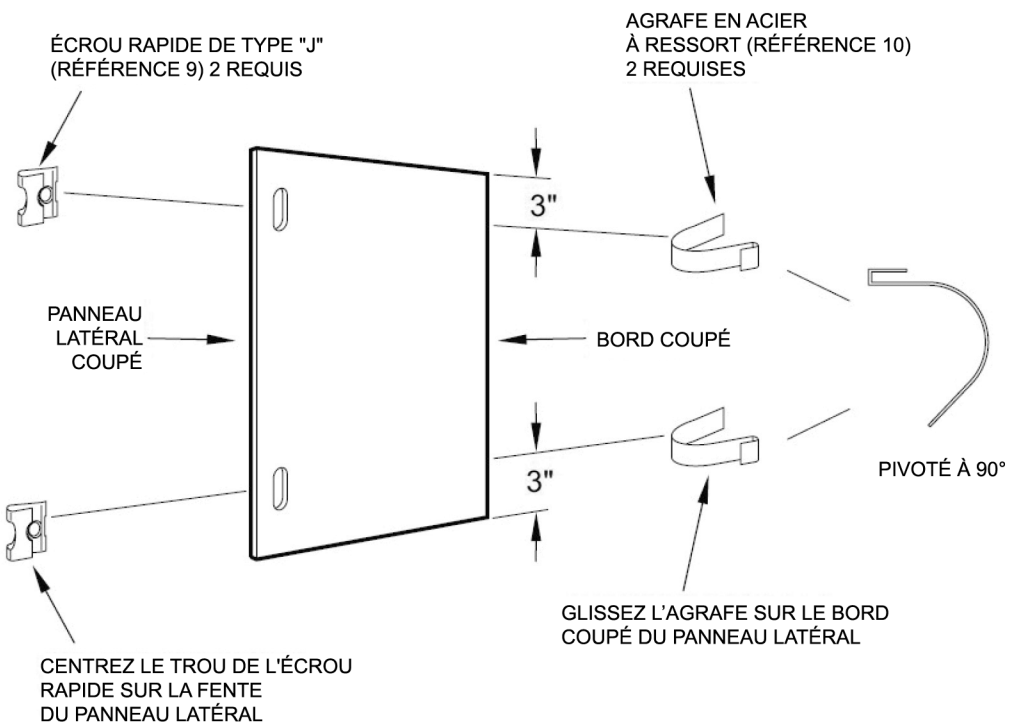
Figure 23



ÉTAPE 4 COUPER LES PANNEAUX LATÉRAUX : Mesurez et coupez les panneaux latéraux du masonite fourni (Référence N°8) pour mettre en place les espaces entre les chaînes latérales de la fenêtre et les côtés de l'armoire (Voir Figure 23).

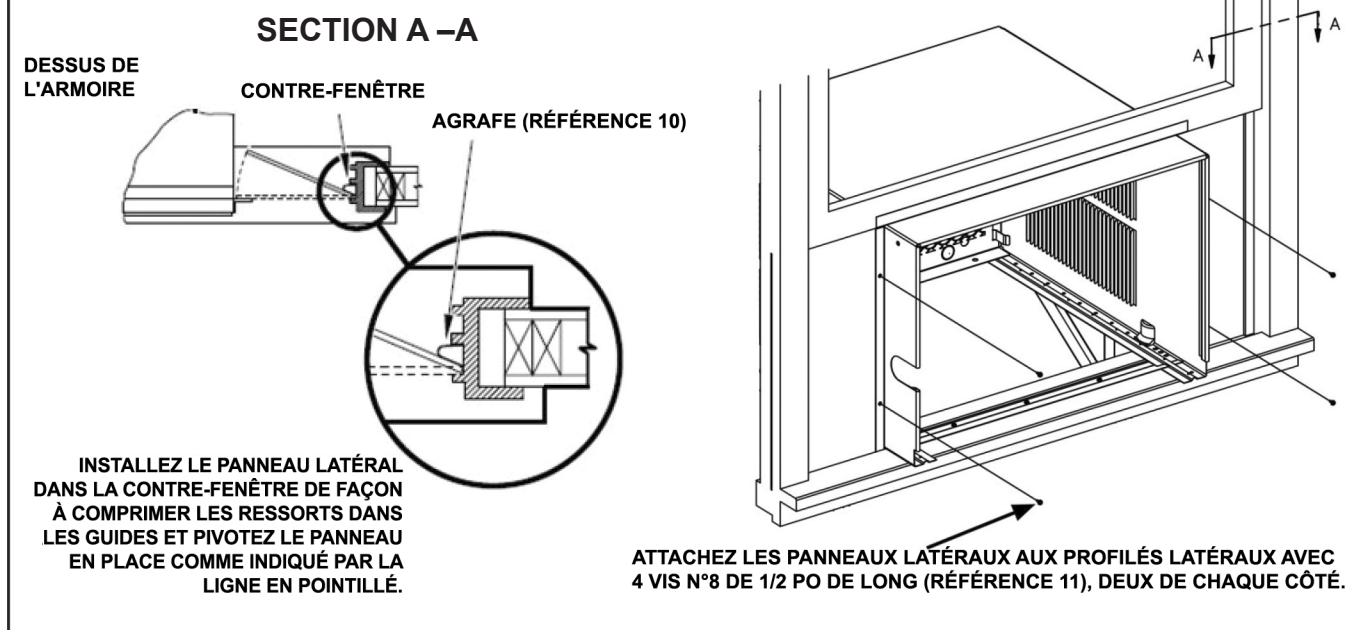
REMARQUE : APRÈS LA DÉCOUPE DES PANNEAUX, FAITES UN TEST D'ESSAI POUR VOIR S'ILS CORRESPONDENT À L'ESPACE AVEC UN JEU D'ENVIRON 3 MM (1/8 PO) AVANT D'ALLER À L'ÉTAPE 5.

Figure 24



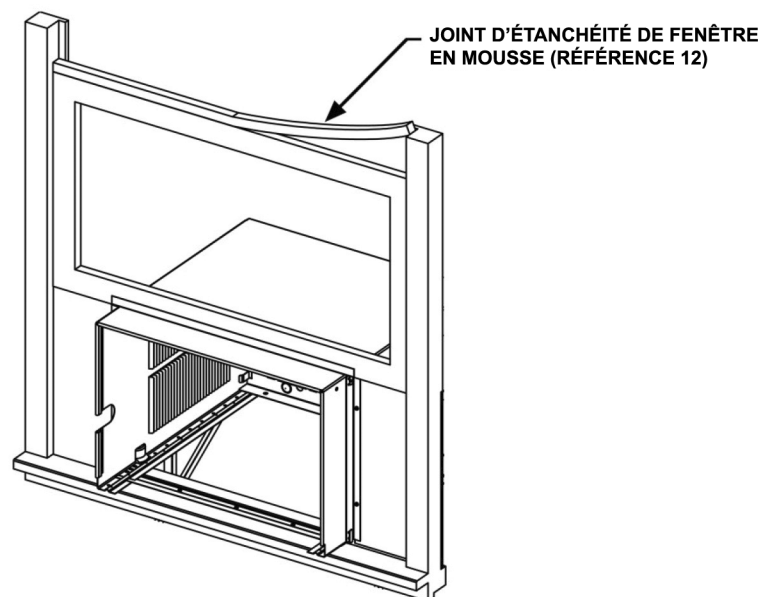
ÉTAPE 5 ASSEMBLER LES ATTACHES AUX PANNEAUX LATÉRAUX : Assemblez les écrous rapides de type « J » (Référence N°9) et les agrafes en acier à ressort (Référence N°10) aux bords des panneaux latéraux coupés (Voir Figure 24).

Figure 25



- ÉTAPE 6 INSTALLER LES PANNEAUX LATÉRAUX : Assurez-vous que l'armoire a été fixée à l'appui de fenêtre et que les pattes de support extérieurs ont été installées comme indiqué aux (Figures 19 et 20) à la Page 17. Relevez le châssis de fenêtre et installez les panneaux latéraux droit et gauche (Voir la Figure 25).
- ÉTAPE 7 INSTALLER LES JOINTS D'ÉTANCHÉITÉ DE FENÊTRE : Mesurez et coupez le joint d'étanchéité de fenêtre en mousse noir (Référence N°12) et installez le entre le panneau vitré supérieur et la partie supérieure de la fenêtre inférieure (Figure 26).

Figure 26



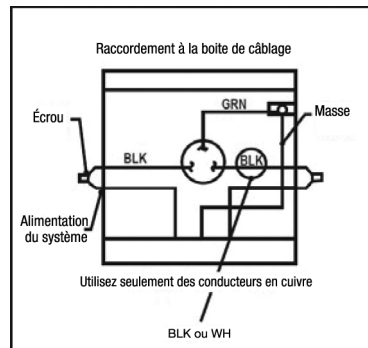
REMARQUE POUR DES RAISONS DE SÉCURITÉ , LE CLIENT DOIT FOURNIR UN MOYEN D'ÉVITER L'OUVERTURE DE LA FENÊTRE.

- ÉTAPE 8 Lorsque possible, calfeutrez l'extérieur de l'installation avec du calfeutrage de type industriel pour empêcher les fuites d'air et d'eau.
- ÉTAPE 9 Passez au câblage et à la préparation du châssis à la page 21 pour ce qui n'est pas ATEX ou à la page 23 pour ATEX et IECEx.

Préparation et câblage du châssis (Non ATEX)

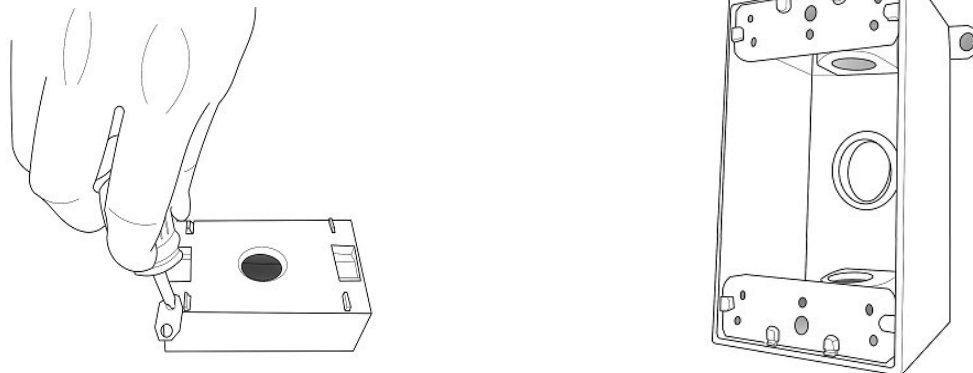
MATÉRIEL FOURNI

- 1 BOÎTIER DE JONCTION
- 2 PATTES DE FIXATION
- 2 VIS DE PATTE
- 2 COUVERCLES DE TROU
- 1 VIS DE MASSE EN ACIER INOXYDABLE
- 2 VIS
- 1 VIS À TÔLE



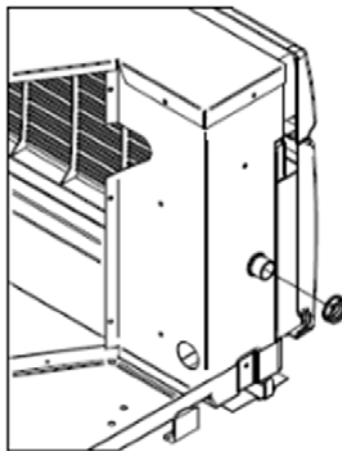
- ÉTAPE 1 Enlevez le boîtier de jonction, le couvercle et les vis de la position d'expédition sous le moteur du ventilateur (voir Figure 7). Installez une patte de montage du boîtier de jonction dans la position gauche supérieure à l'opposé du boîtier de jonction. (Figure 27)

Figure 27



- ÉTAPE 2 Enlevez et jetez le fil protecteur de la bague fileté du tuyau du connecteur situé sur le panneau latéral du compartiment de commande. Installez la goupille de câble fournie sur site comme requis. Dénudez les câbles de 13 mm (1/2 po) environ.

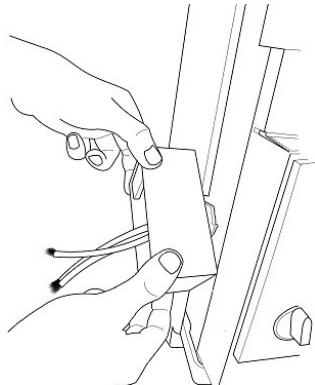
Figure 28



Préparation et câblage du châssis

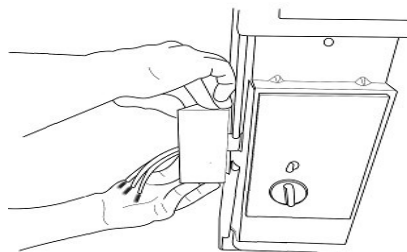
ÉTAPE 3 Insérez tous les fils à l'arrière du boîtier de jonction et filetez le boîtier sur la bague filetée jusqu'au point de blocage.

Figure 29



ÉTAPE 4 Reculez dans le sens horaire jusqu'à ce que le boîtier de jonction soit vertical avec la patte de fixation sur la partie supérieure à droite en face de l'ouverture du boîtier.
Assurez-vous que l'armoire peut glisser entre ce boîtier et le châssis.

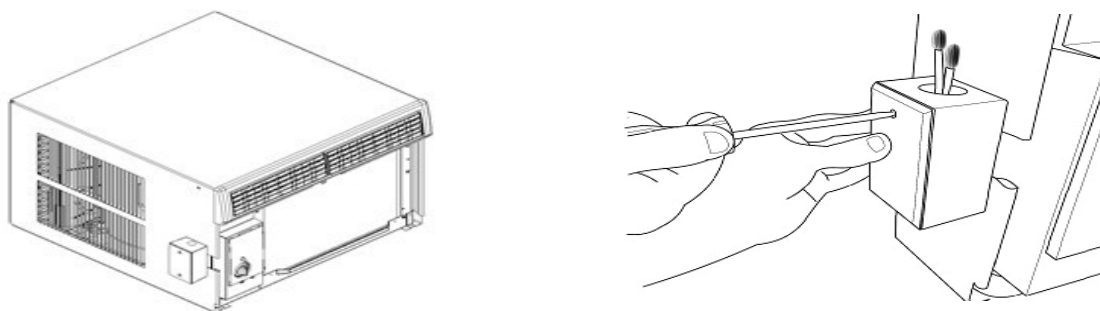
Figure 30



ÉTAPE 5 Insérez l'appareil dans l'armoire, voir page 25 pour obtenir de l'aide, assurez-vous que l'armoire peut glisser entre le boîtier de jonction et le châssis.

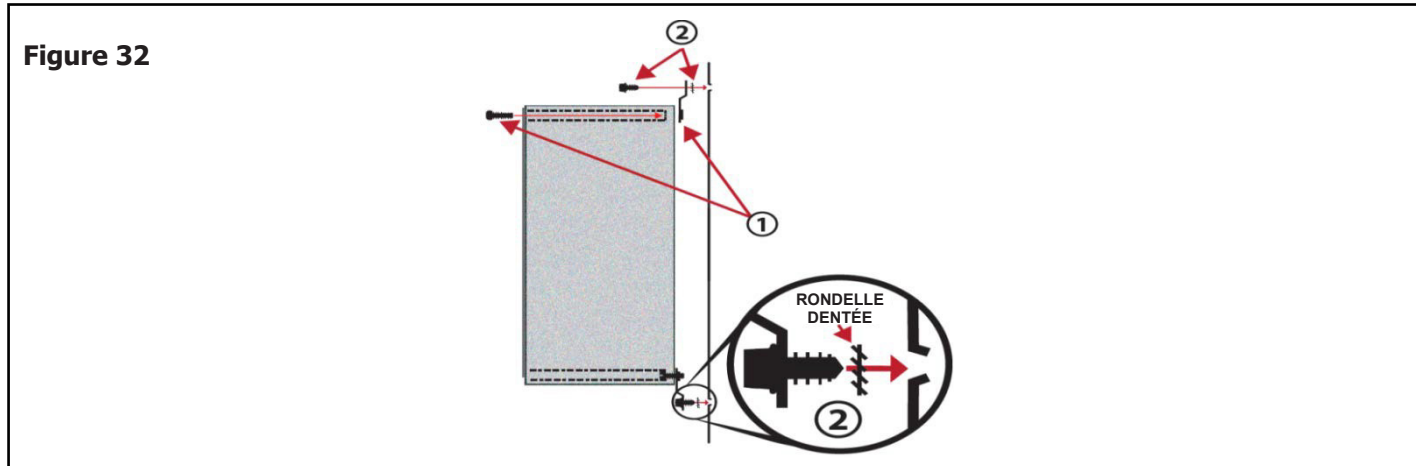
REMARQUE : Le câblage des conducteurs sur le site doivent être en cuivre et avoir 12 AWG au minimum. Terminez le branchement du boîtier de jonction et couvrez-le pour empêcher la pénétration de la poussière et de l'humidité. Toutes les connexions de câblage du boîtier de jonction doivent être faites avec des goupilles de câble.

Figure 31



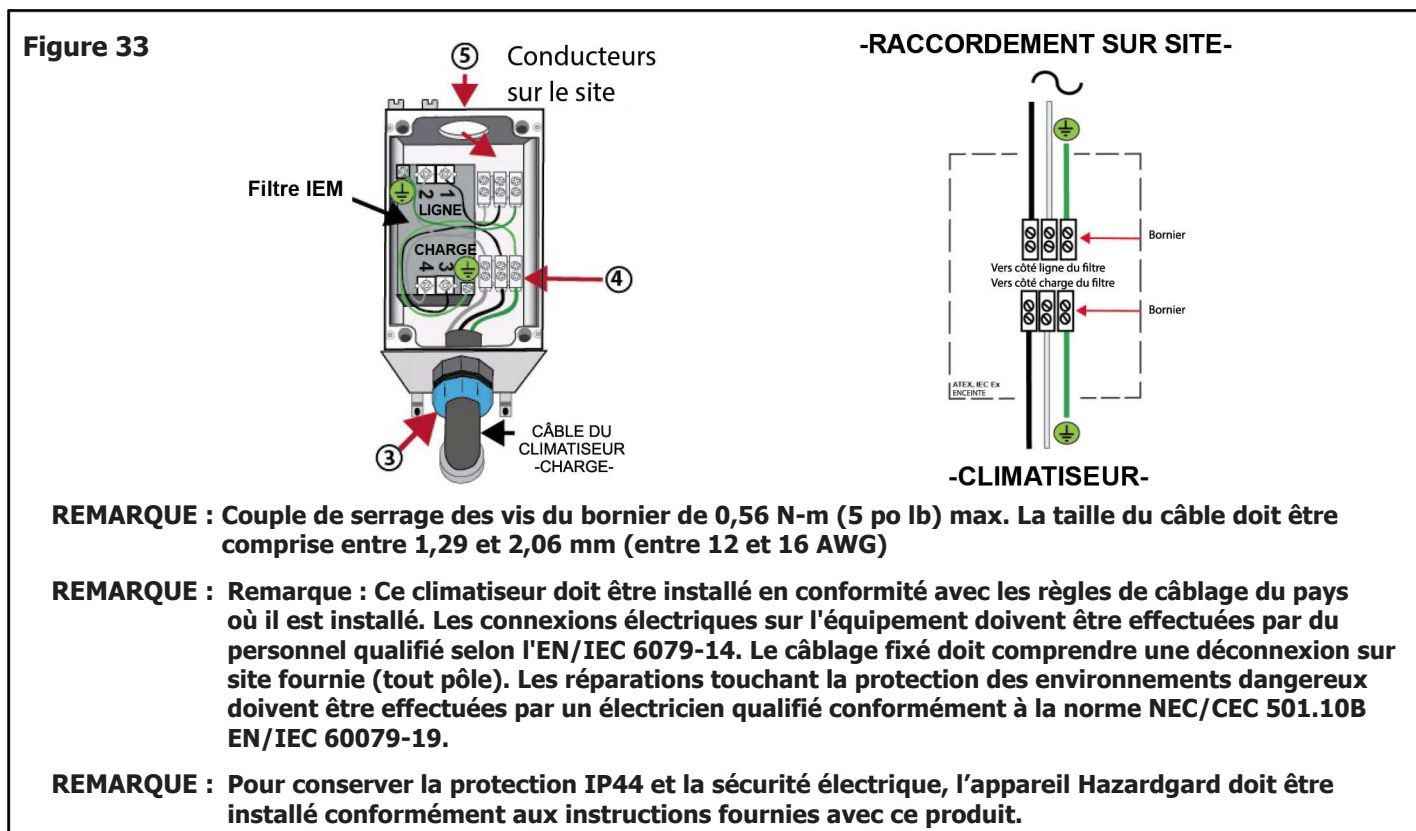
Préparation et câblage du châssis (Modèles ATEX et IECEx)

ÉTAPE 1 Enlevez le boîtier de jonction de la position d'expédition sous le moteur du ventilateur (Figure 7). Installez les pattes de fixation pour supporter l'arrière du boîtier de jonction à l'aide de 4 vis d'assemblage fournies (Figure 32-1). Montez le boîtier de jonction sur les trous fournis sur le côté du manchon du climatiseur à l'aide de 4 vis à tôle et 4 rondelles dentées fournies. Assurez-vous que les rondelles dentées sont entre les pattes du boîtier de jonction et le manchon en métal peint (Figure 32-2).



ÉTAPE 2 Passez à l'ÉTAPE 1 Installation du châssis (voir page 25) puis revenez à l'ÉTAPE 3

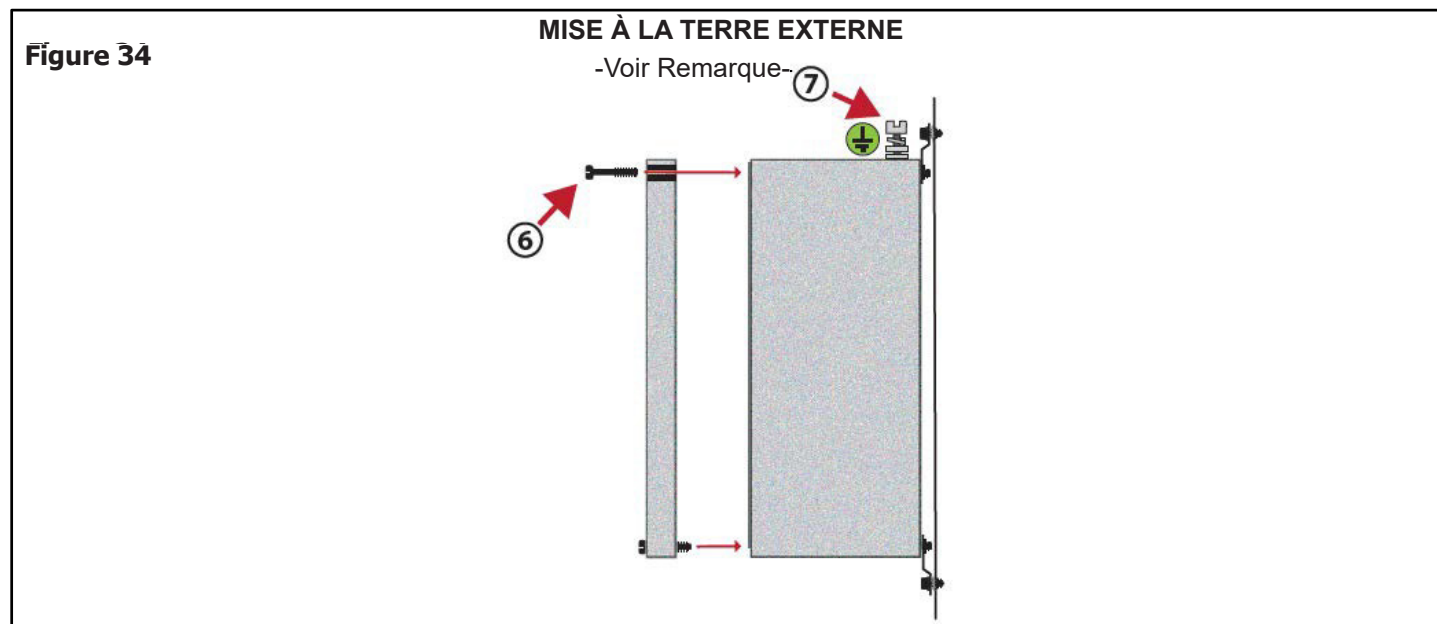
ÉTAPE 3 Insérez le câble électrique du climatiseur par la goupille de câble fournie sur le bas du boîtier de jonction électrique et serrez le couple de l'écrou de la goupille de câble (voir référence 3) à 15 N-m. Dénudez les trois conducteurs électriques de 6,35 mm environ (1/4 po), installez en dessous des terminaux de Ligne du bornier et serrez (référence 4). Le câblage sur site fixé doit comprendre une déconnexion sur site fournie (tout pôle). Fournissez le câblage des conducteurs sur le site et une goupille de câble avec une valeur IP44 au minimum. Connectez le câblage des conducteurs en dessous des terminaux de Ligne du bornier et serrez (référence 5). Les conducteurs sur le site doivent être en cuivre et avoir entre 1,29 et 2,06 mm au minimum (16 et 12 AWG). Assurez-vous qu'à la fois la LIGNE, la CHARGE et les MASSES sont correctement fixées aux points de raccordement fournis.



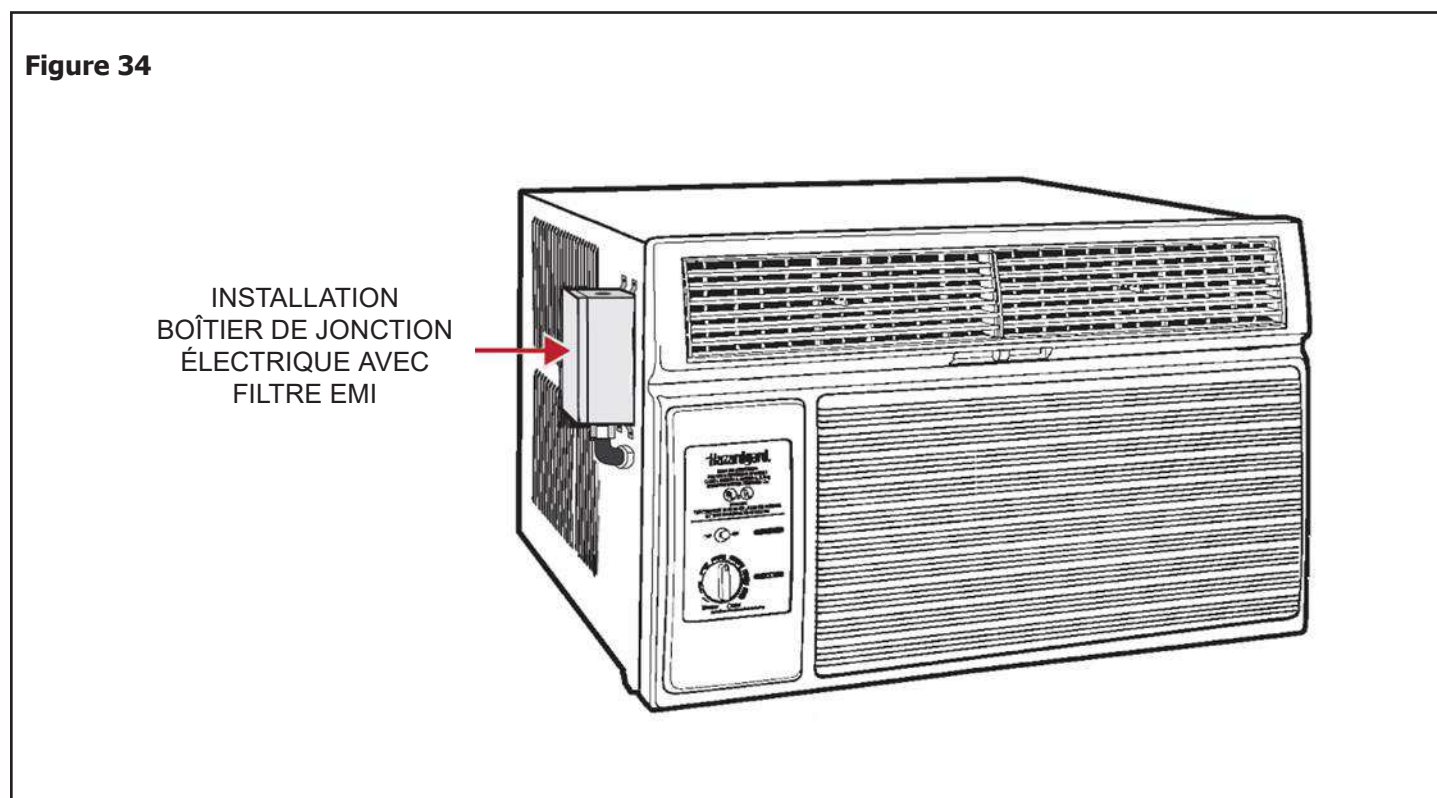
Préparation et câblage du châssis (Modèles ATEX et IECEx)

ÉTAPE 4 Terminez le branchement du boîtier de jonction, couvrez et serrez les vis (Figure 34-6) pour empêcher la pénétration de la poussière et de l'humidité. REMARQUE : Selon l'EN/IEC 60079-0, une mise à la terre externe peut s'avérer nécessaire.

Si nécessaire, utilisez la pince de masse externe fournie qui peut accepter deux des câbles mesurant jusqu'à 6 mm (Figure 34-7).



REMARQUE : Ce climatiseur doit être installé en conformité avec les règles de câblage du pays où il est installé. Les connexions électriques sur l'équipement doivent uniquement être effectuées par du personnel qualifié selon l' NEC/CEC 501.10 (B) EN/IEC 60079-14. Les réparations touchant la protection des environnements dangereux doivent être effectuées par un électricien qualifié conformément à la norme NEC/CEC 501.10 (B) EN/IEC 60079-19.



Installation du châssis

ÉTAPE 1 Faites glisser le châssis dans l'enveloppe en arrêtant à environ 8 cm (3 po) d'une insertion complète. Remplissez le joint d'étanchéité du châssis (référence N°12) de 2,5 cm (1 po) de profondeur entre le châssis et l'armoire (Figure 36). Commencez soit à l'angle inférieur et remontez sur le côté, passez le haut, et descendez du côté opposé. Assurez-vous que le joint est derrière le raccord du conduit (le plus éloigné de vous). Poussez le châssis dans l'armoire sur la distance restante afin que la façade en plastique entoure le bord avant de l'armoire. Attachez la patte de fixation du boîtier de jonction à l'armoire avec la vis à tôle.

Si le joint d'étanchéité du châssis n'est pas installé, le fonctionnement de l'appareil sera affecté de façon négative, et le bruit de fonctionnement et le bruit extérieur seront amplifiés

ATTENTION

Risque de poids excessif

Utilisez deux ou plusieurs personnes lors de l'installation de votre climatiseur.

Le non respect de ces recommandations peut occasionner des blessures dans le dos ou autres.

ATTENTION



Couper/Sectionner

Bien qu'un grand soin ait été apporté pour minimiser les bords pointus dans la structure de votre appareil, utilisez des gants ou d'autres protections pour les mains lors de la manipulation de l'appareil.

Le non respect de ces recommandations peut occasionner des blessures corporelles de léger à modéré.

AVERTISSEMENT



Risque d'explosion



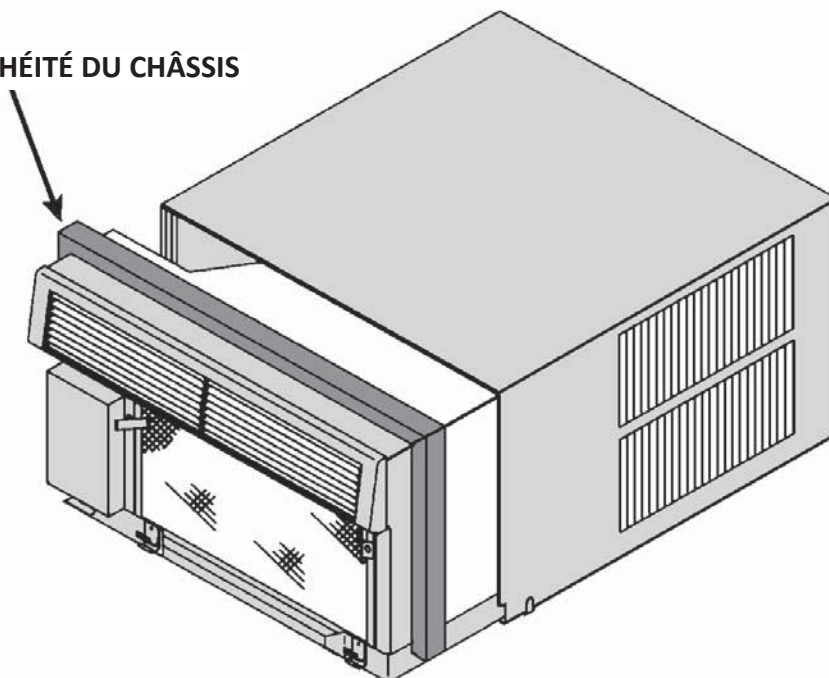
Risque de choc électrique

Brancher électriquement l'appareil conformément au CNE Article 501. Le non respect de ces instructions peut entraîner un décès, une explosion, un incendie ou un choc électrique.

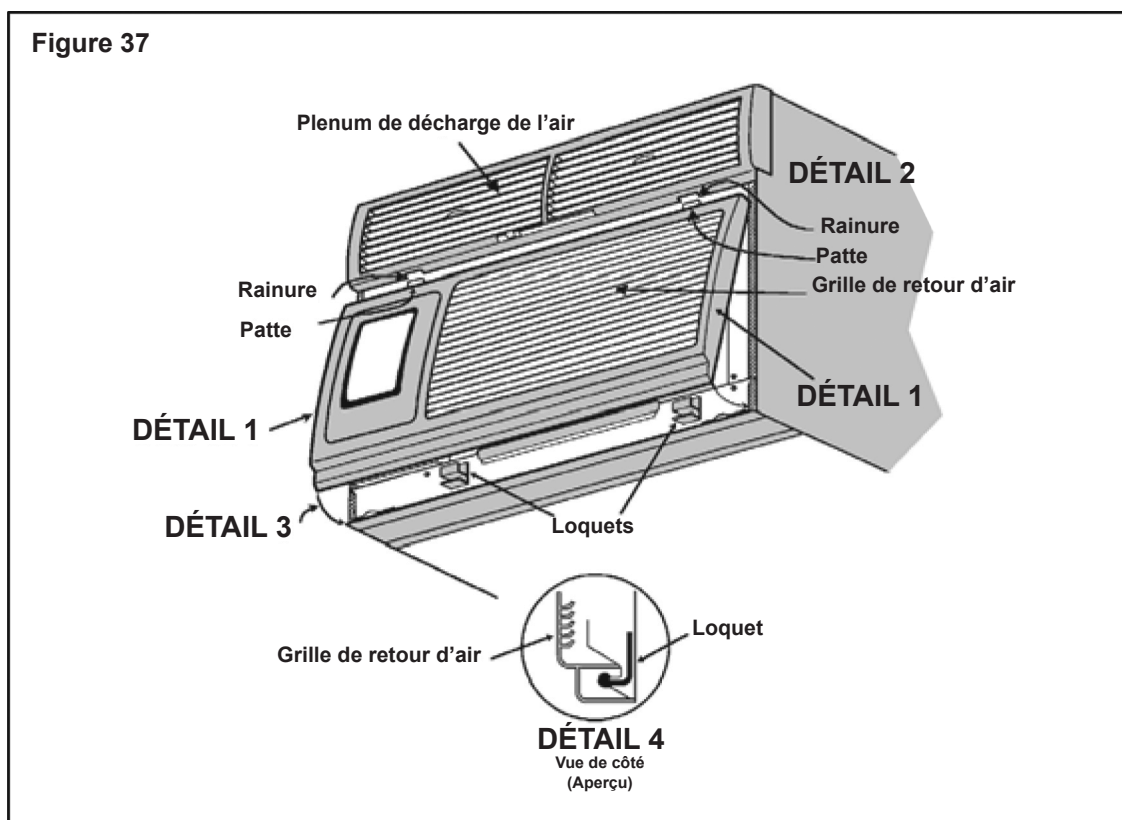
REMARQUE : Le câblage sur le site doit être fourni pour ce boîtier de jonction conformément au CODE NATIONAL DE L'ÉLECTRICITÉ (NFPA 70, 2008 ou la version actuelle) ARTICLE 501. Les mises à la terre sur le site et sur l'équipement doivent être arrêtées à la tige le boîtier de jonction avec la vis verte fournie. Les dérivations pour l'alimentation de l'équipement doivent être branchées avec l'alimentation du site grâce aux connecteurs (non fournies). Installez le joint et couvrez le plateau sur le boîtier de jonction.

Figure 36

JOINT D'ÉTANCHÉITÉ DU CHÂSSIS



ÉTAPE 2 Assurez-vous que le filtre est en place puis installez la grille de retour d'air (Figure 37). La partie supérieure de la grille de retour d'air peut être en butée contre la partie inférieure du plenum de décharge. Enclenchez la grille en place en poussant dessus vers le haut et sur les loquets de l'appareil situés en dessous. (Voir Détail 37-4).



ÉTAPE 3 Vous avez fini votre installation. Procédez à un examen de votre installation pour vous assurer que l'appareil est installé en toute sécurité.

Fin du cycle

Il est recommandé aux clients de s'assurer que l'appareil est éliminé conformément à la réglementation fédérale, nationale et locale de leur pays. Contactez votre service municipal des travaux publics pour vous renseigner sur les procédures de collecte et d'élimination des appareils frigorifiques/climatiseurs dans votre quartier.

Liste de vérification de l'entretien

Ne refroidit pas

Si l'appareil fonctionne, mais ne refroidit pas, vérifiez si les contrôles sont correctement réglés. Inspectez le filtre et si nécessaire, nettoyez-le soigneusement. Vérifiez si le joint d'étanchéité du châssis est installé (se reporter aux instructions d'installation).

Ne fonctionne pas

Si l'appareil ne fonctionne pas du tout, vérifiez que les raccordements de l'alimentation sont présents et serrés. Vérifiez les fusibles grillés ou les disjoncteurs déclenchés. Remplacez les fusibles grillés avec le bon fusible temporisé correspondant. La plaque signalétique de l'appareil montre la bonne taille de fusible. Après avoir remis l'alimentation, attendez trois minutes avant de redémarrer l'appareil.

La bobine intérieure gèle

Votre appareil Friedrich Hazardgard est conçu pour ne pas geler à des températures extérieures aussi basses que 7 °C (45 °F). Le gel ne doit se faire que quand l'air extérieur est humide et en dessous de 7 °C (45 °F). Si la bobine intérieure venait à geler complètement lors du refroidissement, réglez le thermostat sur la position la plus chaude jusqu'à ce que la glace ait disparu. Le réglage du thermostat à une position légèrement plus chaude évitera probablement l'accumulation de glace sur la bobine. Un filtre sale favorise le gel de la bobine.

Nettoyage

La grille de devant de votre appareil Friedrich, ainsi que l'intégralité de l'armoire, peuvent être nettoyées avec de l'eau chaude et un détergent doux. Les bobines et le plateau de base doivent être nettoyés régulièrement pour un fonctionnement plus efficace. Nous vous recommandons d'appeler votre revendeur Friedrich pour ce service.

Protection thermique

Les moteurs de ventilateur ont une protection thermique et scellés en usine. Aucune protection thermique n'est obligatoire.



Friedrich Air Conditioning Company

10001 Reunion Place, Suite 500

San Antonio, TX 78216 États-Unis

800 541-6645

www.friedrich.com

HAZARDGARD® CLIMATISEURS INDIVIDUELS GARANTIE LIMITÉE

GARANTIE LIMITÉE UN AN POUR LES PIÈCES

1. Garantie limitée – Un an. Friedrich garantit qu'il fournira un remplacement pour toute pièce de ce Climatiseur HazardGard ayant un défaut de matériel ou de fabrication pour une période d'un (1) an à compter de la date d'achat initiale.

2. Garantie limitée – Un an. La garantie Friedrich couvre également les frais de main-d'œuvre pour la réparation d'un compresseur, d'un condenseur, d'un évaporateur ou d'un tube de raccordement trouvés défectueux durant la période de garantie, à condition que l'appareil soit retourné dans un Centre de réparation Friedrich agréé et situé à l'intérieur de la zone continentale des États-Unis.

La garantie Friedrich ne couvre pas :

(1) Tout les frais pour l'enlèvement, le transport ou la réinstallation de l'appareil; (2) le coût de la main d'œuvre pour le remplacement de pièces autres que celles décrites ci-dessus; et (3) ne s'applique pas à un Climatiseur HazardGard qui a fait l'objet de (a) un accident, une mauvaise utilisation, une inondation, un incendie ou une négligence; (b) les réparations ou modifications apportées en dehors du Revendeur ou du Centre de service Friedrich agréé et ayant des effets négatifs sur sa performance et fiabilité; ou (c) toute réparation ou entretien en raison de l'utilisation de pièces non vendues ou approuvées par Friedrich.

LIMITES : La présente garantie est une garantie limitée. Nonobstant toute provision dans la même garantie, LES GARANTIES IMPLICITES POUR UN EMPLOI PARTICULIER ET DE QUALITÉ MARCHANDE SONT LIMITÉES À LA DURÉE DE LA GARANTIE EXPRESSE. LE FABRICANT REJETTE EXPRESSÉMENT TOUTE RESPONSABILITÉ POUR LES DOMMAGES INDIRECTS OU ACCESSOIRES POUR TOUTE VIOLATION DE GARANTIE, EXPLICITE OU IMPLICITE.

L'exécution de l'obligation de garantie de Friedrich est limitée à l'une des méthodes suivantes :

1. Réparation de l'appareil
2. Un remboursement au client au prorata de la valeur de l'appareil basé sur la période de garantie restante de l'appareil.
3. Fournir un appareil de remplacement de valeur égale

La méthode de réalisation de l'obligation de garantie est à la seule discrétion de la Climatisation Friedrich.

(11-10)



Friedrich Air Conditioning Company
10001 Reunion Place, Suite 500
San Antonio, TX 78216 États-Unis
800 541-6645
www.friedrich.com

GARANTIE LIMITÉE INTERNATIONALE

CONDITIONS DE LA GARANTIE LIMITÉE

L'entreprise Friedrich Air Conditioning garantit à l'acheteur original que ce Climatiseur Friedrich est exempt de défauts de matériau et de fabrication.

Cette garantie s'applique à ces défauts de fabrication qui peuvent se développer avec une utilisation normale et n'est en vigueur que pour une période de 12 mois à compter de la date d'installation ou de 18 mois à compter de la date d'achat (date de facture), peu importe la date qui apparaît en premier. L'obligation qu'a la société en vertu de la présente garantie est limitée à la fourniture (FOB à San Antonio, Texas - aucun fret admis), de son choix, soit une pièce de remplacement ou une pièce ou un assemblage refabriqués dans l'unique but de remplacer une quelconque pièce ou des pièces qui peuvent être défectueuses. Toutes les réclamations de garantie doivent être adressées par l'intermédiaire d'un Distributeur/Revendeur Friedrich agréé. Friedrich se réserve le droit d'avoir la pièce défectueuse retournée à Friedrich, pour examen à la charge du client.

La présente garantie ne s'applique pas aux filtres à air, fusibles, boîtiers d'armoire, à la charge de réfrigérant et l'endommagement de toute partie résultant de l'installation non conforme aux recommandations du fabricant; et ne s'applique pas à la finition extérieure, sauf lorsque l'examen révèle que celle-ci était défectueuse au moment de l'expédition initiale. La présente Garantie ne s'applique pas non plus à un Climatiseur Friedrich, ou toute partie de celui-ci, qui a fait l'objet d'une mauvaise utilisation, de négligence, de modification, d'accident, d'inondation, d'incendie ou d'un acte de la nature. Aucune garantie n'est applicable si le produit a été utilisé sur les circuits électriques de tension et de cycle ayant des caractéristiques autres que celles indiquées sur le modèle ou la plaque du numéro de série.

CONDITIONS GÉNÉRALES

La fourniture de pièces de remplacement, comme décrite ci-dessus constitue l'exécution complète de toutes les obligations à l'égard du Climatiseur Friedrich. En aucun cas, Friedrich n'assume la moindre responsabilité pour l'entretien, les coûts de main-d'œuvre ou les frais de transport. CES GARANTIES REMPLACENT TOUTES LES AUTRES GARANTIES, EXPRESSES OU IMPLICITES, Y COMPRIS LES GARANTIES IMPLICITES DE QUALITÉ MARCHANDE OU D'APTITUDE POUR UN EMPLOI PARTICULIER.



Friedrich Air Conditioning LLC

10001 Reunion Place, Suite 500

San Antonio, Texas 78216 États-Unis

800 541-6645

www.friedrich.com

Imprimé au Mexique

93031008_00