



EN ■ Electric Spiralizer

READ CAREFULLY AND STORE FOR FUTURE USE.

- This appliance may be used by persons with physical or mental impairments or by inexperienced persons, if they are properly supervised or have been informed about how to use the appliance in a safe manner and understand the potential dangers.
- Children must not use this appliance or play with it. Keep this appliance and the power cord out of reach of children.
- This appliance is used to process fruit and vegetables and is designed for domestic use only. It is not intended for use in locations such as:
 - staff kitchens in stores, offices and other workplaces;
 - agricultural farms;
 - hotel or motel rooms and other living areas;
 - bed and breakfast establishments.
- Do not use the appliance for commercial purposes, in industrial surroundings or outdoors.
- Do not place the appliance on window sills or on unstable surfaces. Do not place it on an electric or gas stove, in the vicinity of an open flame or appliances that are sources of heat.
- Never use accessories, which have not been supplied with this appliance or which have not been explicitly recommended by the manufacturer for this appliance.
- Before connecting this appliance to a power socket, make sure the rated voltage stated on its rating label corresponds to the voltage in your power socket.
- Prior to removing accessories that move during use, make sure that the appliance is turned off and disconnected from the power socket, and that rotating parts have stopped.
- When handling the cutting blades, especially when assembling and disassembling the appliance, and when cleaning, take special care to avoid injury on their sharp edges.
- Make sure that the appliance is correctly assembled before putting it into operation.
- Ensure that foreign items such as clothing, hair, kitchen utensils, etc. do not enter the feed tube during operation. Otherwise, an injury could occur or the appliance could be damaged.
- Use the properly assembled drive unit to push the fruit and vegetables through the feed tube.



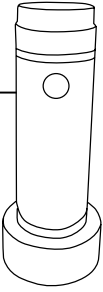
Warning:

Incorrect use may lead to injuries.

- The maximum continuous operating time of the appliance is 1 minute. Before turning it on again, allow it to cool down for at least 3 minutes. After five consecutive cycles, allow the appliance to cool down for 20 minutes.
- Always turn off the appliance and disconnect it from the power socket if you will not be using it and if you will be leaving it without supervision, before assembly, disassembly, cleaning or moving it. Always wait until rotating parts come to a complete stop before disassembly.
- Clean it according to the instructions in chapter Cleaning and maintenance.
- Do not submerge the drive unit of the appliance in water or any other liquid, or wash it under running water.
- Ensure that the power plug contacts do not come into contact with water or moisture.
- Do not place heavy items on the power cord. Make sure that the power cord does not hang over the edge of a table or that it is not touching a hot surface.
- Disconnect the power cord from the power socket by pulling on the plug, never pulling on the cord. Otherwise, this could damage the power cord or the socket.
- If the power cord is damaged, have it replaced at a professional service centre. It is forbidden to use the appliance if it has a damaged power cord.
- Do not use the appliance when it is not functioning properly or showing signs of damage.
- To avoid the danger of injury by electrical shock, do not repair the appliance yourself or make any adjustments to it. Have all repairs or adjustments of the appliance performed at an authorised service centre. By tampering with the appliance, you risk voiding your legal rights arising from unsatisfactory performance or quality warranty.

A

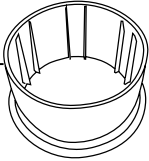
1



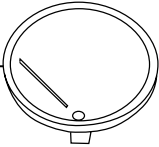
2



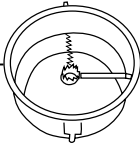
3



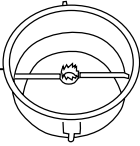
4



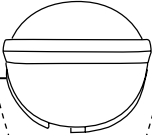
5



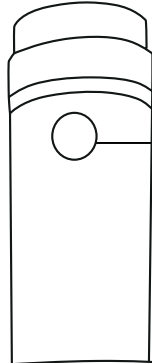
6



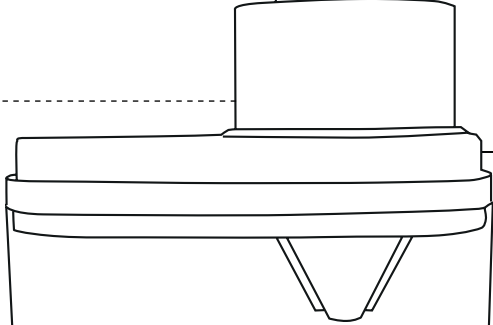
7



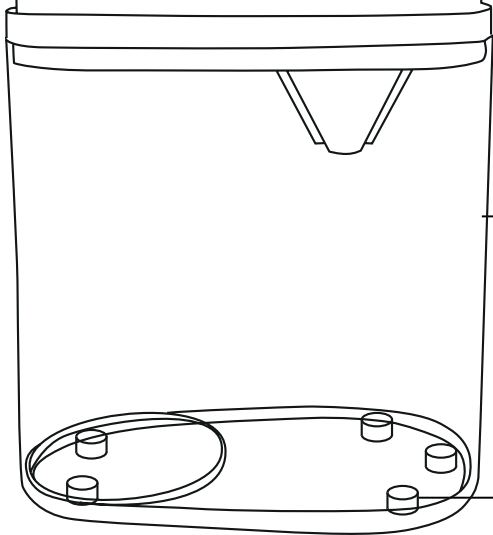
8



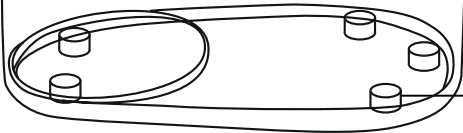
9



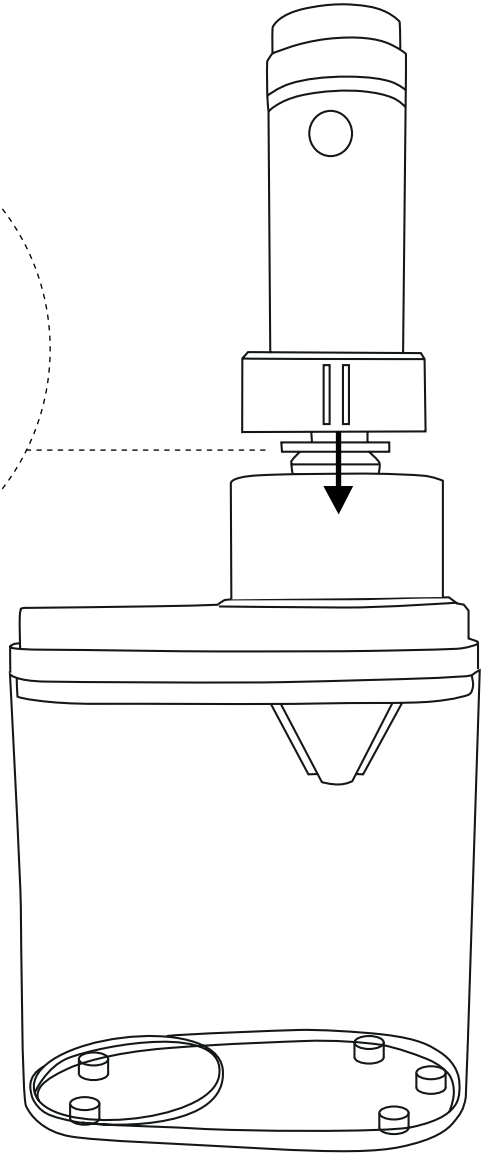
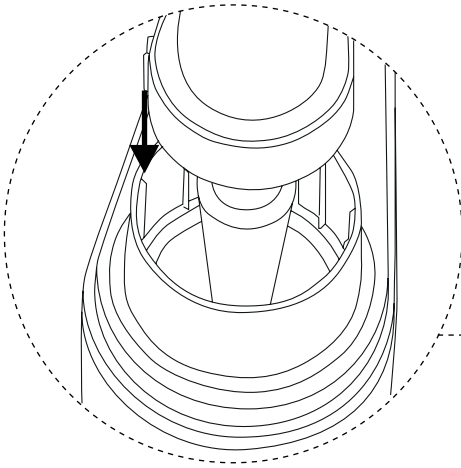
10



11



B



- Prior to using this appliance, please read the user's manual thoroughly, even if you already have experience in using similar appliances. Only use the appliance in the manner described in this user's manual. Keep this user's manual in a safe place where it can be easily retrieved for future use.
- We recommend saving the original cardboard box, packaging material, purchase receipt and responsibility statement of the vendor or warranty card for at least the duration of the legal liability for unsatisfactory performance or quality. In the event of transportation, we recommend that you pack the appliance in the original box from the manufacturer.

DESCRIPTION OF THE APPLIANCE AND ACCESSORIES

A1 Drive unit	A7 Lid cover
A2 Food holder	A8 Pulse switch for turning the drive unit on and off
A3 Feed tube	A9 Jug lid
A4 Wide spiral cutting blade	A10 2.7-litre transparent jug
A5 Thin strip cutting blade	A11 Anti-slip feet
A6 Narrow spiral cutting blade	

BEFORE FIRST USE

1. Take the appliance and its accessories out of the packaging materials.
2. Except for the drive unit **A1**, thoroughly wash all the individual parts of the blending jar using warm water and a neutral kitchen detergent. Then rinse under clean water and allow them to dry naturally or dry them. Do not submerge the drive unit **A1** in water or rinse it under running water.



Attention:

Be especially careful when cleaning the blades **A4–A6** to avoid injury on the sharp edges.

ASSEMBLING AND DISASSEMBLING THE APPLIANCE

- Before you start assembling or disassembling the appliance, check that it is turned off and disconnected from the power socket.
- Place the jug **A10** on an even, dry and stable surface. Place the lid **A9** on to the jug **A10** and push it down along its entire perimeter.
- Insert one of the cutting blades **A4–A6** from above into the hole in the lid **A9** so that it slides in along its entire perimeter. Turn the blade clockwise all the way to lock in the latches along the perimeter of the blade.



Attention:

When inserting the cutting blade **A4–A6** into the lid **A9**, take care not to injure yourself on its sharp edge.

- Place the feed tube **A3** on to the lid **A9** and turn it clockwise all the way to lock in the latches along the perimeter.
- From underneath, put the food holder **A2** on to the shaft of the drive unit **A1**. The appliance is now assembled and ready for use.
- The lid **A9** with cover **A7** serves to cover the jug **A10** when you wish to use it to store the processed food in it for a short time. Place the lid **A9** on to the jug **A10** and into the hole in the lid **A9** insert the cover **A7** and turn it clockwise all the way until it locks into place.
- Disassemble the appliance in the reverse sequence.

OPERATING THE APPLIANCE

1. This appliance is suitable for processing harder types of fruits and vegetables such as, for example, potatoes, sweet potatoes, celery, beetroot, radish, pumpkin, cucumber etc. in the raw form. It is not particularly suitable for processing soft types of fruits and vegetables.
2. Thoroughly wash all the fruit and vegetables and remove the stones and kernels. Cut them up so that they are not longer than the height of the feed tube **A3**, so that their diameter is not greater than 7 cm and so that both ends are flat.



Attention:

Never attempt to use this appliance to process hard stones contained in, for example, mangoes, etc.

3. Make sure that the correct type of blade is installed in the appliance and that the appliance is correctly assembled. Place the jug **A10** on an even, dry and stable surface.
4. Make sure that the drive unit **A1** is disconnected from the mains power socket. Stick the prepared piece of fruit or vegetable on to the food holder **A2**.
5. Grasp the drive unit **A1** in one hand and with the end on which the food is located slide it into the opening in the feed tube **A3** in such a way that the guide tabs on the drive unit **A1** are aligned with the guide tabs inside the feed tube **A3**, see fig. B.
6. Insert the drive unit's **A1** power plug into a power socket. Press the pulse switch **A8** and start pushing the food through the cutting blade.



Attention:

The maximum continuous operating time of the appliance is 1 minute. Before turning it on again, allow it to cool down for at least 3 minutes. After five consecutive cycles, allow the appliance to cool down for 20 minutes.

7. Once the food is cut up, release the switch **A8**. This will turn off the appliance. Wait until rotating parts come to a complete stop and disconnect the drive unit **A1** from the power socket. Usually, a piece of the food remains on the holder **A2** and it needs to be removed. Before putting more food into the holder **A2** make sure that the appliance is disconnected from the power socket.
8. In the event that the jug **A10** fills up during operation, turn off the appliance, disconnect it from the power socket and make sure that the rotating parts have stopped. Empty out the jug **A10** and reassemble the appliance. After it has cooled down, you may use it again.
9. When you have finished using it, disconnect the appliance from the power socket and clean it out according to the instructions contained in the chapter Cleaning and maintenance.

CLEANING AND MAINTENANCE

- Wash the appliance after every use. Before cleaning it, make sure that the appliance is turned off and disconnected from the power socket and that the rotating parts have stopped.
- Disassemble the appliance into its individual parts. Except for the drive unit **A1**, thoroughly wash all the used parts under running warm water using a neutral kitchen detergent. Then rinse them under clean running water and wipe dry. Certain types of food such as beetroot, may cause discolouration of plastic parts of the appliance. If this occurs, coat them with cooking oil and then clean them out in the normal way. Discolouration does not have any effect on the functionality of the appliance.



Attention:

Be especially careful when cleaning the cutting blades **A4–A6** to avoid injury on the sharp edges.

- For cleaning the drive unit **A1**, use a cloth lightly dipped in a weak solution of water and neutral kitchen detergent. Then thoroughly wipe everything with a clean dampened cloth and wipe dry. Never submerge the drive unit **A1** or its power cord in water or any other liquids.
- For cleaning, do not use solvents, abrasive cleaning products, etc. Otherwise the surface may be damaged.

TECHNICAL SPECIFICATIONS

Rated voltage range	220–240 V
Rated frequency	50/60 Hz
Rated power input	100 W
Electrical shock protection class	II
Noise level	80 dB(A)

The declared noise emission level of the appliance is 80 dB(A), which represents a level A of acoustic power with respect to a reference acoustic power of 1 pW.

Explanation of technical terminology

Safety class for electrical shock protection:

Class II – Electrical shock protection is provided by double or heavy-duty insulation.

Changes to text and technical parameters are reserved.

INSTRUCTIONS AND INFORMATION REGARDING THE DISPOSAL OF USED PACKAGING MATERIALS

Dispose of used packaging material at a site designated for waste in your municipality.

DISPOSAL OF USED ELECTRICAL AND ELECTRONIC EQUIPMENT



This symbol on products or original documents means that used electric or electronic products must not be added to ordinary municipal waste. For proper disposal, renewal and recycling hand over these appliances to determined collection points. Alternatively, in some European Union states or other European countries you may return your appliances to the local retailer when buying an equivalent new appliance.

Correct disposal of this product helps save valuable natural resources and prevents potential negative effects on the environment and human health, which could result from improper waste disposal. Ask your local authorities or collection facility for more details.

In accordance with national regulations penalties may be imposed for the incorrect disposal of this type of waste.

For business entities in European Union states

If you want to dispose of electric or electronic appliances, ask your retailer or supplier for the necessary information.

Disposal in other countries outside the European Union.

This symbol is valid in the European Union. If you wish to dispose of this product, request the necessary information about the correct disposal method from the local council or from your retailer.



This product meets all the basic requirements of EU directives related to it.