

# LIMITED LIFETIME WARRANTY

---

*To obtain Service, please contact PATRIOT LIGHTING® Service Department:  
1-800-887-6326, 9 a.m. - 5 p.m. central time.*

---

Model No.: # 355-0676 / 355-0677

The limited lifetime warranty covers this ceiling fan, for residential use by the original purchaser, against defects in material or workmanship as follows:

If your PATRIOT LIGHTING® Ceiling Fan motor fails at any time during the lifetime of the original purchaser due to defects in material or workmanship, we will provide a replacement part free of charge.

If your Fan motor fails at any time within one year after the original date of sale to the original purchaser due to defects in material or workmanship, we will provide labor to repair the defect, with the exception of take down/reinstallation, free of charge. The original purchaser will be responsible for all labor costs after this one year period.

If no replacement parts are provided for any part of your Fan motor that fails at any time during your lifetime due to defects in material or workmanship, we will refund the original purchase price of your Fan.

If your Fan blades, remote controller / pull chain switch, reverse switch, or any accessory, except glass globes and light bulbs, fails at any time within one year after the original date of purchase due to a defect in material and workmanship, we will repair or, if we choose, replace the defective blades, switch, or accessory free of charge, with the exception of take down/reinstallation services.

If the original purchaser ceases to own the Fan, this warranty and any implied warranty, including but not limited to any implied warranty of merchantability or fitness for a particular purpose, become void. This warranty and any implied warranty, including but not limited to any implied warranty of merchantability or fitness for a particular purpose, do not cover glass globes, light bulbs, or finish on any metal portions of the Fan.

This warranty is in lieu of express warranties. The duration of any implied warranty of merchantability or fitness for a particular purpose, with respect to any PATRIOT LIGHTING® Ceiling Fan motor, blades, switch, or accessories, is expressly limited to the period of the express warranty set forth above for such motor, blades, switch, or accessories.

This warranty excludes defects, malfunctions, or failures of any PATRIOT LIGHTING® Fan that are caused by repairs by persons not authorized by us, use of parts or accessories not authorized by us, mishandling, improper installation, modifications or damage to the Fan while in your possession, or unreasonable use, including failure to provide necessary maintenance.

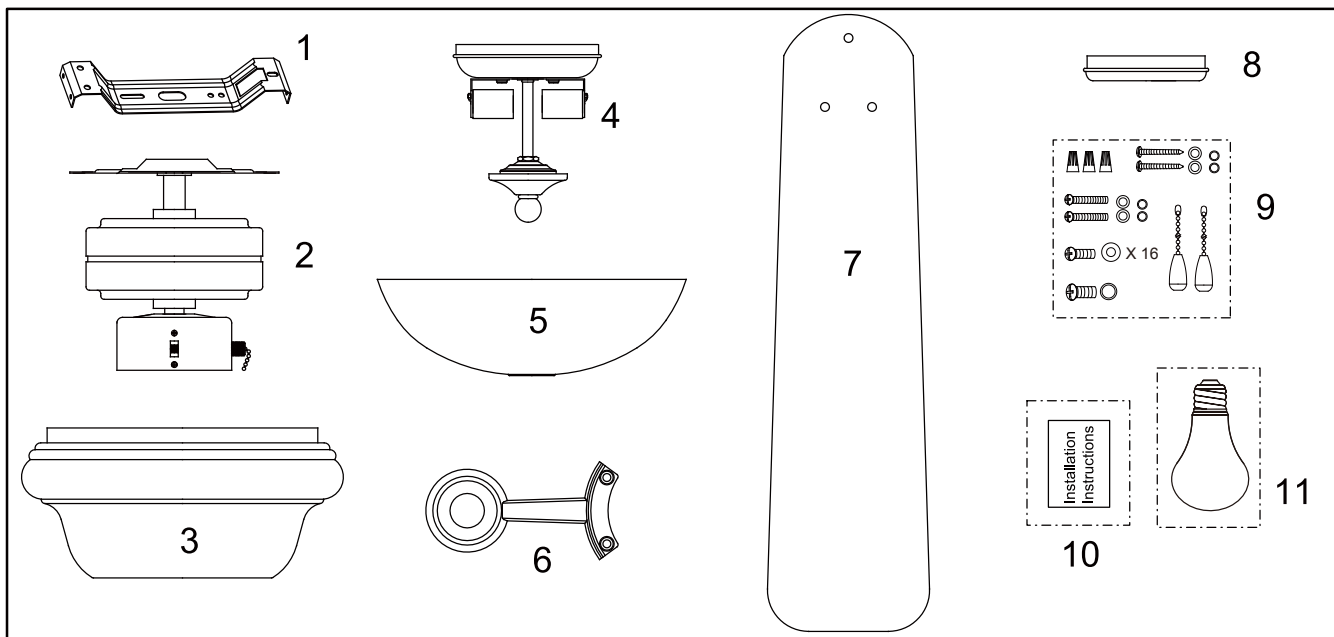
To obtain service, contact PATRIOT LIGHTING® Service Department at 1-800-887-6326, 9AM-5PM CST. You will be responsible for all insurance and freight or other transportation charges to our factory or service center. A copy of sales receipt is required in order to obtain service. We will return your Fan freight prepaid. Your Fan should be properly packed to avoid damage in transit, for we will not be responsible for any such damages.

In no event shall PATRIOT LIGHTING® Fan be liable for consequential or incidental damages.

Some states do not allow the exclusion or limitation of consequential or incidental damages, in which case the above limitation or exclusion may not apply.

This warranty gives you specific legal rights and you may also have other rights which vary from state to state.

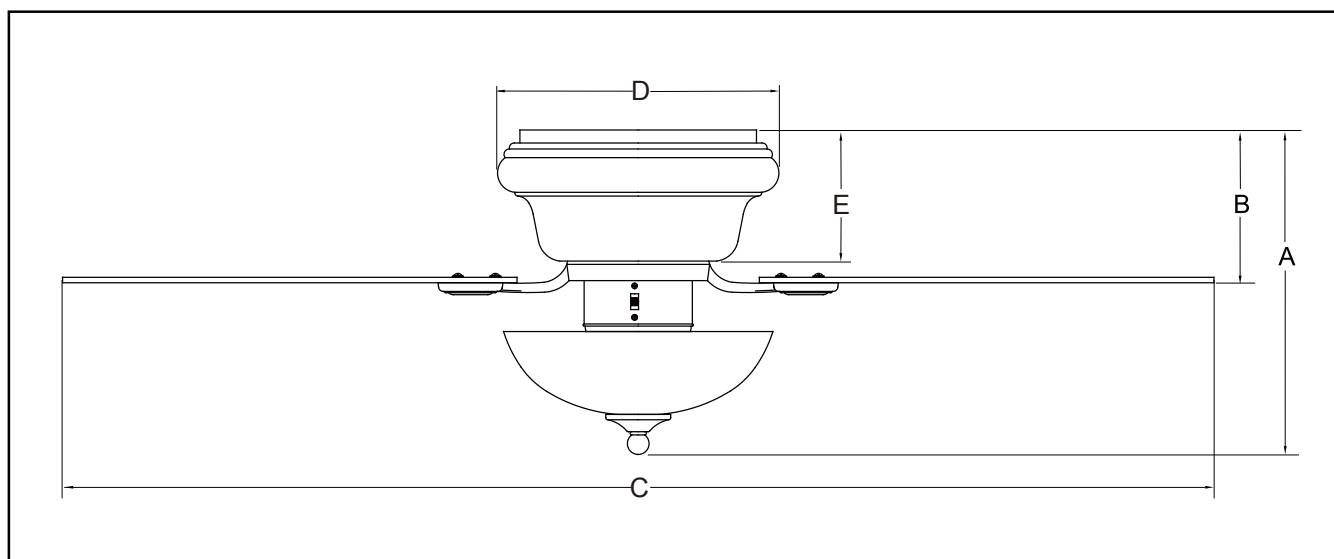
## Package Contents:



Unpack your fan and check the contents. You should have the following items.

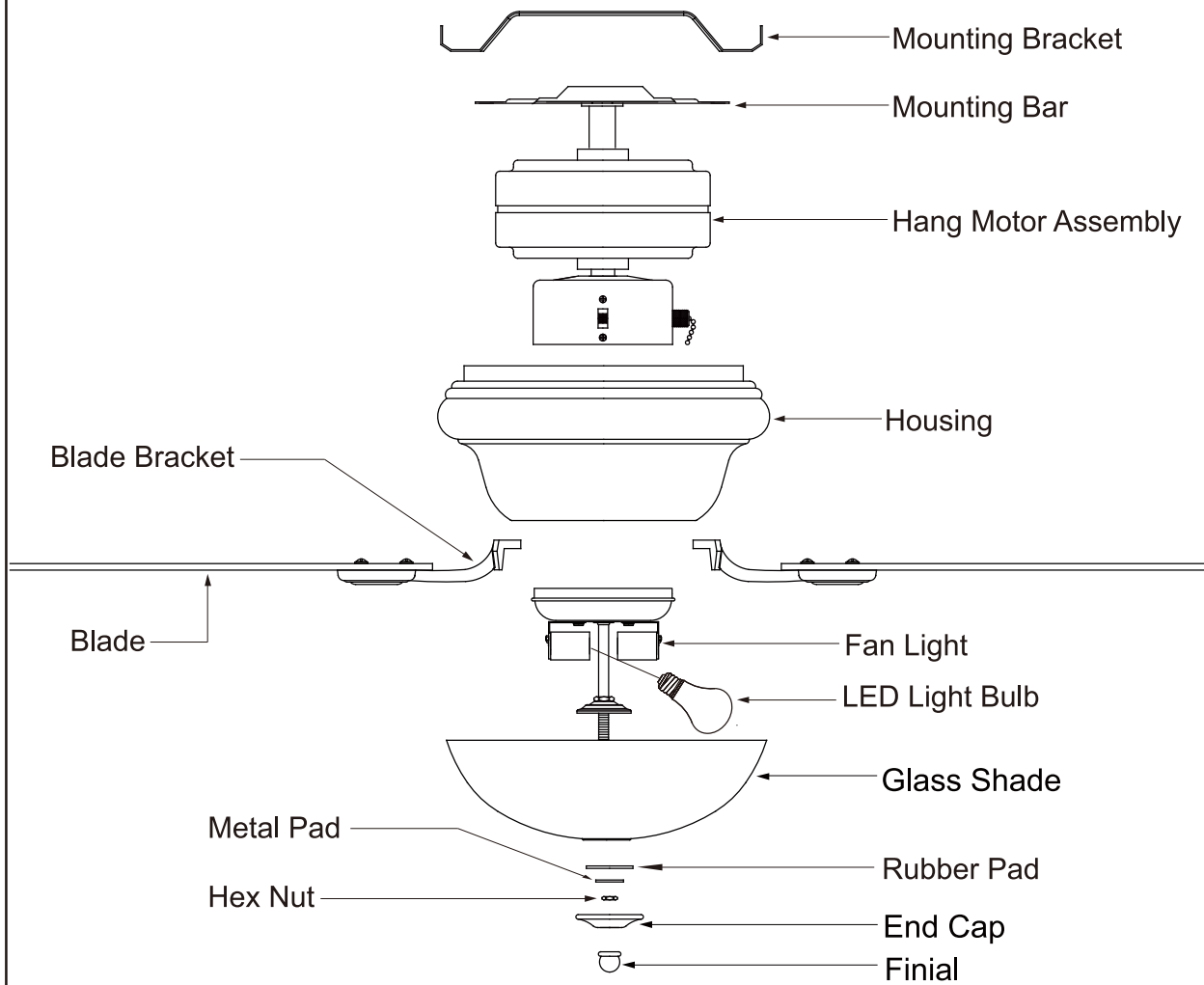
- 1.) Mounting Bracket
- 2.) Hang Motor Assembly
- 3.) Housing
- 4.) Fan Light Kit
- 5.) Glass Shade
- 6.) Blade Bracket (5 PCS)
- 7.) Fan Blade (5 PCS)
- 8.) Switch Box Cover
- 9.) Assembly Kit
- 10.) Installation Instructions
- 11.) 9W E26 (M) Base A19 Type LED Bulb (2PCS)

## Dimension Reference:



A. 12-1/2" B. 5" C. 42" D. 10-1/4" E. 4-3/4"

# Exploded View Detail



## Safety Instructions

READ ALL SAFETY INFORMATION AND INSTALLATION INSTRUCTIONS BEFORE YOU BEGIN TO INSTALL THE FAN AND SAVE INSTRUCTIONS.

- All set screws of the fan must be checked and retightened where necessary before installation.
- To reduce the risk of personal injury, do not bend the blade brackets when installing the brackets, balancing the blades or cleaning the fan. Do not insert foreign objects between rotating fan blades.
- Before changing the fan direction, turn off the fan and wait for the fan blades to stop completely.
- The safeguards provided by these safety instructions and by the separate installation instructions are not meant to cover all possible conditions and situations that may occur. It must be understood that common sense, caution and care are factors which can not be built into this product. These factors must be supplied by the person(s) installing, caring for and operating the fan.

### WARNING

- TO AVOID RISK OF ELECTRIC SHOCK, BE SURE TO SHUT OFF POWER AT THE MAIN FUSE OR CIRCUIT BREAKER BOX BEFORE INSTALLING OR SERVICING THIS FIXTURE. TURNING OFF THE ELECTRICAL POWER BY USING THE LIGHT SWITCH IS NOT SUFFICIENT TO PREVENT ELECTRICAL SHOCK.
- TO REDUCE THE RISK OF INJURY, INSTALL THE FAN SO THAT THE BLADES ARE AT LEAST 7 FEET (2.1 METERS) ABOVE THE FLOOR AND AT LEAST 18 INCHES (0.5 METERS) FROM THE TIP OF THE BLADES TO THE WALL.
- TO REDUCE THE RISK OF FIRE, ELECTRIC SHOCK, OR PERSONAL INJURY, MOUNT TO OUTLET BOX MARKED "ACCEPTABLE FOR FAN SUPPORT" AND USE MOUNTING SCREWS PROVIDED WITH THE OUTLET BOX.
- THE INSTALLATION HAS TO BE IN ACCORDANCE WITH THE NATIONAL ELECTRICAL CODE, ANSI/NFPA 70-1999 AND LOCAL CODES. IF YOU ARE UNFAMILIAR WITH THE METHODS OF INSTALLING ELECTRICAL WIRING, SEEK THE SERVICES OF A QUALIFIED LICENSED ELECTRICIAN.

# INSTALLATION INSTRUCTIONS

## IMPORTANT:

- BEFORE YOU BEGIN INSTALLATION, CAREFULLY READ ALL INFORMATION PROVIDED IN THE SAFETY INSTRUCTIONS AND INSTALLATION INSTRUCTIONS. IF IN DOUBT, CONSULT A QUALIFIED ELECTRICIAN.
- SAVE ALL INSTRUCTIONS.

NOTE: The fan weight is 13.67 lbs (6.2 kgs). Be sure the outlet box you are using is securely attached to the building structure and can support the full weight of the fan. Failure to do so can result in serious injury.

## Installation Steps :

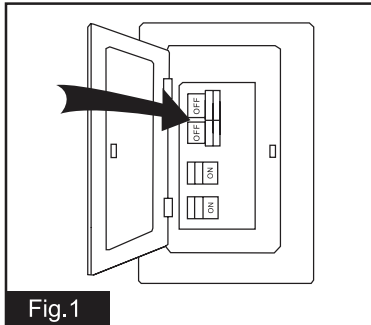


Fig.1

Turn OFF the electric circuit at the main fuse or circuit breaker box.

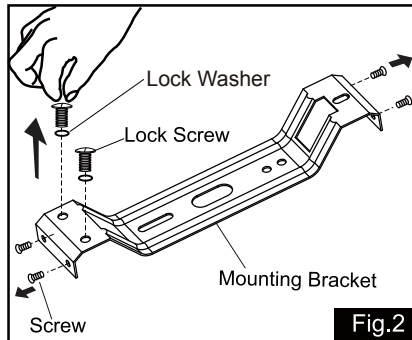


Fig.2

Unscrew the lock screws, lock washers and screws from mounting bracket. Please save lock screws and lock washers for Fig.7 step use and screws for Fig.8 step use.

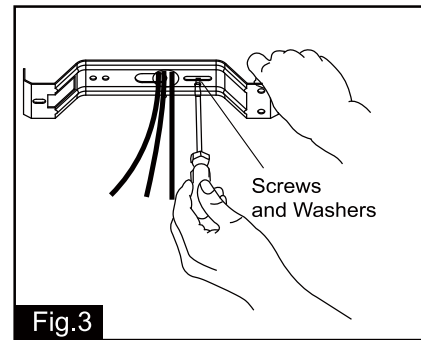


Fig.3

Tighten the mounting bracket to the outlet box with two mounting screws and washers. (To reduce the risk of fire, electric shock, or personal injury, mount to an outlet box marked "Acceptable for fan support" and use mounting screws provided with the outlet box.) Pull the electrical wires from the outlet box through the center hole of the mounting bracket for motor wiring installation.

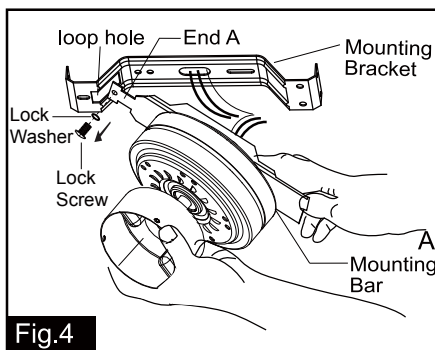


Fig.4

Remove Lock screw and Lock washer from mounting bar and save these for Fig.7 step use. Attach hang motor assembly onto mounting bracket. Insert the end of mounting bar through the loop hole of the mounting bracket for hands-free wiring. (See Fig.4-1 and Fig.4-2)

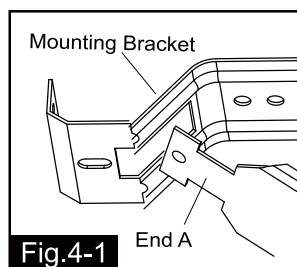


Fig.4-1

Before install

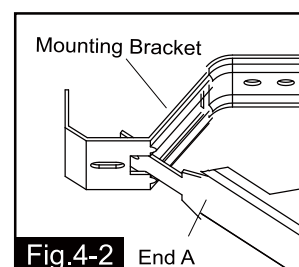
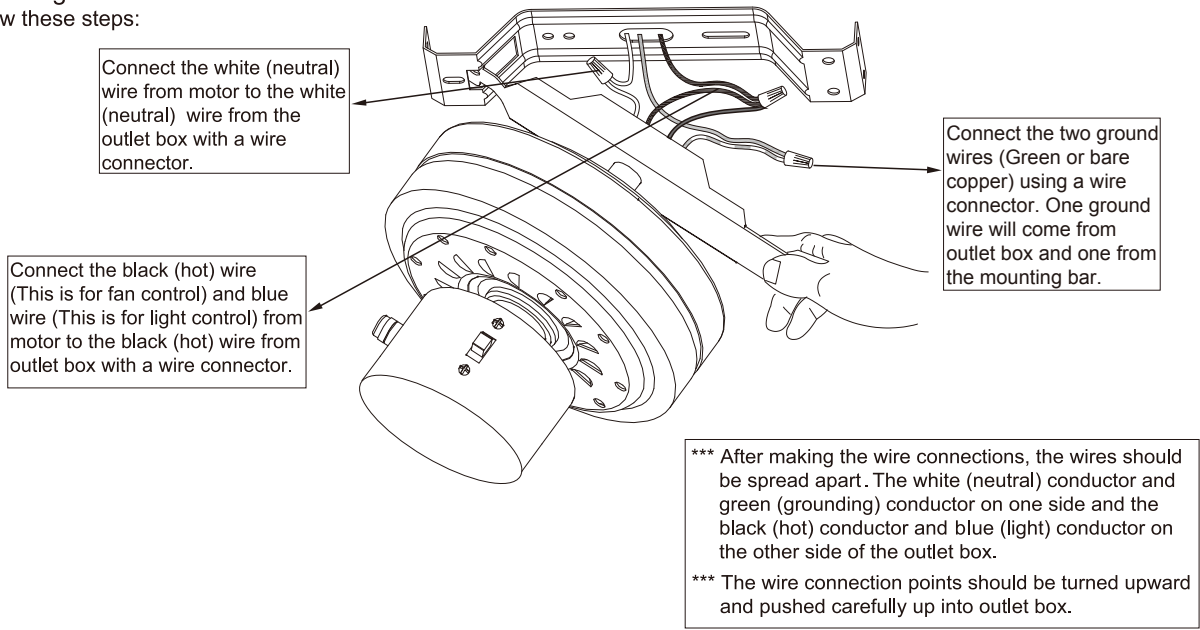


Fig.4-2

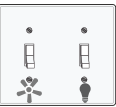
After install



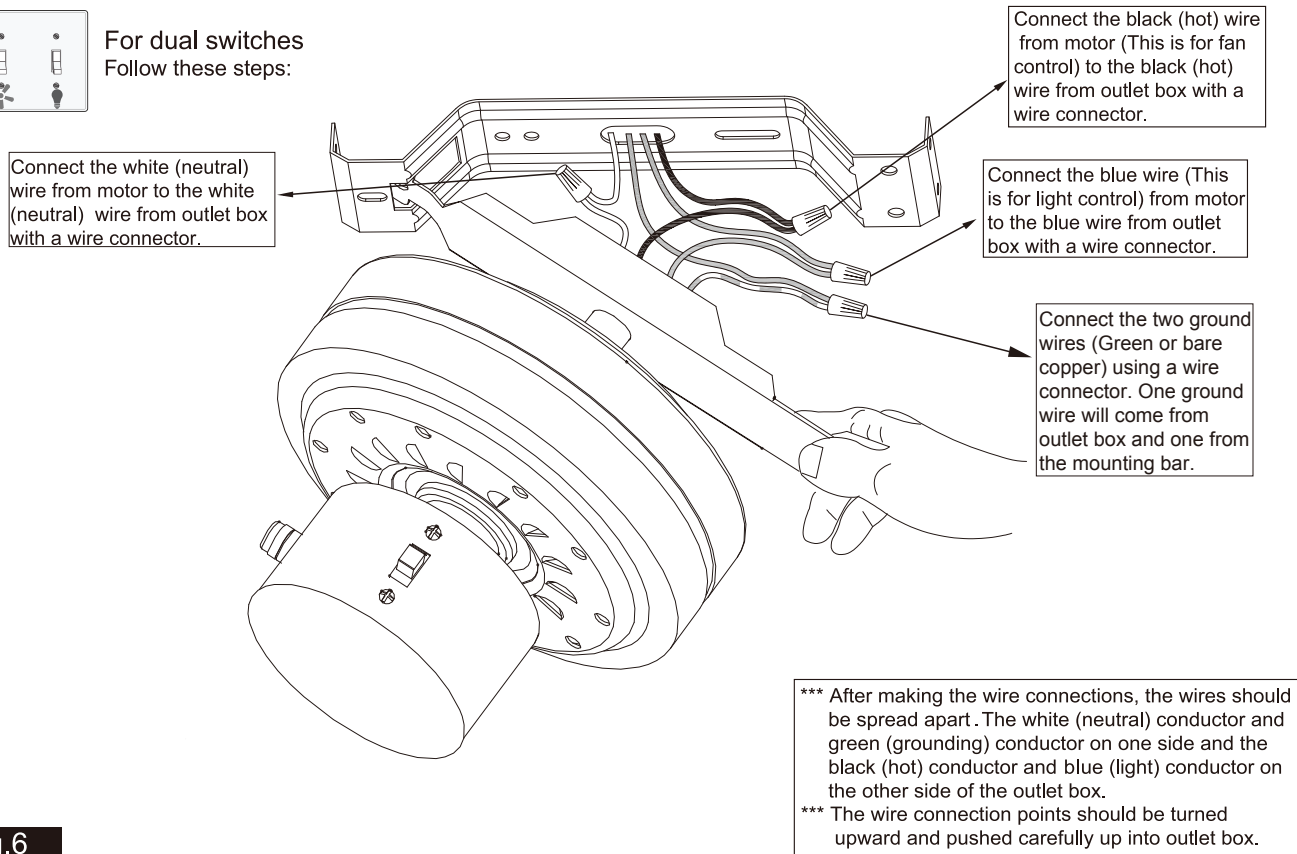
**For a single switch**  
Follow these steps:



**Fig.5**

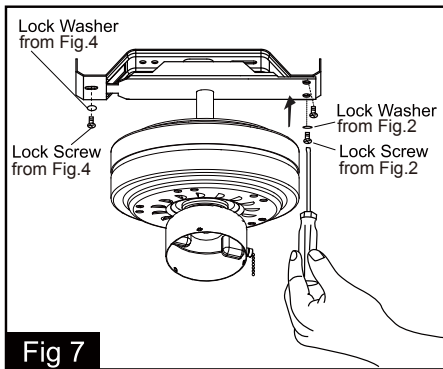


**For dual switches**  
Follow these steps:

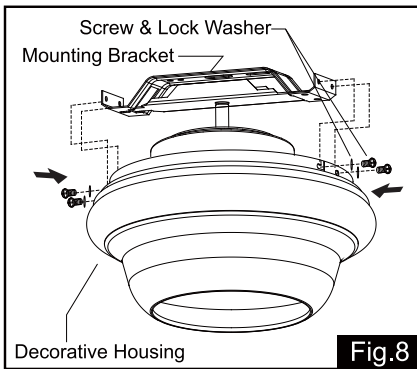


**Fig.6**

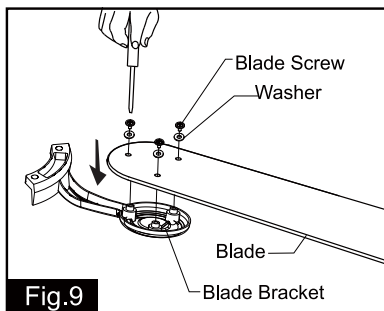




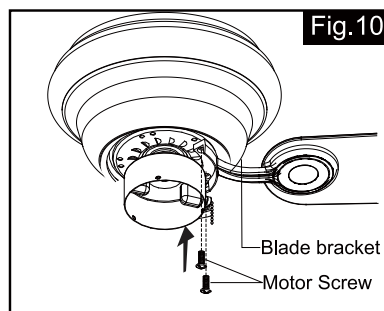
Attach the mounting bar to the mounting bracket with the lock washers and lock screws using a screwdriver. (Tighten the three lock screws securely.)



The decorative housing has two mating slots and two mating holes. Position both slots on the decorative housing directly under and in line with two screws and washers in the mounting bracket. Lift the decorative housing, allowing the two screws and washers to slide into the mating slots. Rotate the decorative housing counterclockwise until both screws from the mounting bracket drop into the slot recesses. Tighten screws securely. Install the other two screws and washers into the mating holes of the mounting bracket and tighten to secure the decorative housing to the mounting bracket.

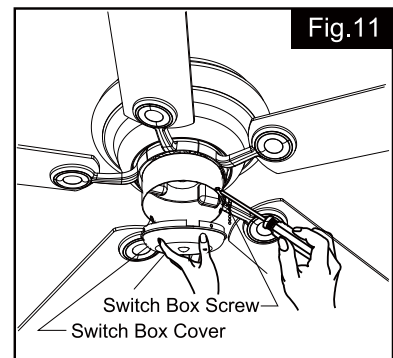


Mount each blade bracket to fan blade using three blade screws and washers.



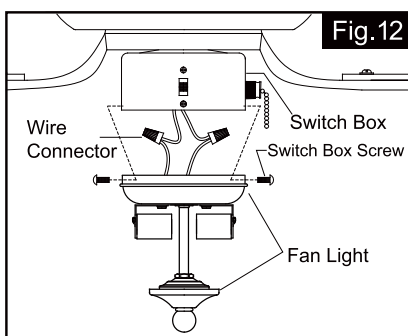
Remove screws and washers from motor first and then secure the blade brackets to the motor with motor screws and washers.

### Install without fan light

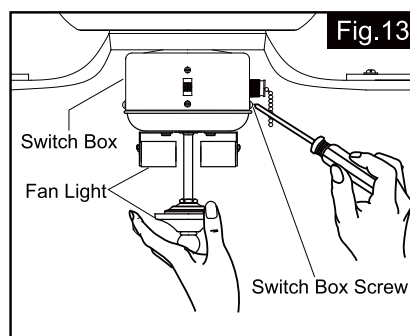


Make sure the wires of the fan light in the switch box are capped with wire connectors. Secure the switch box cover with the switch cover screws.  
**Note: To install the fan light, skip this step and proceed to Fig.12.**

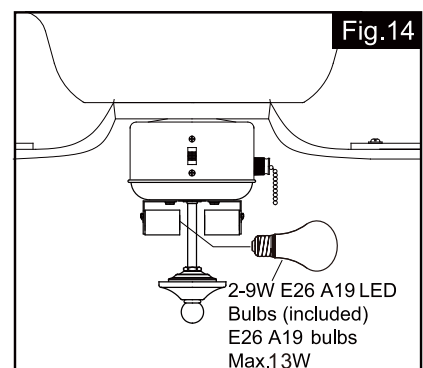
### Install fan light



Connect wires:  
--- The blue wire from the switch box to the black wire from fan light.  
--- The white wire from the switch box to the white wire from fan light.  
Carefully put the wires into the switch box.



Install the fan light onto the switch box with the switch box screws found attached to the fan light.



Install bulbs (included). See relamping label at socket area or packaging for maximum wattage allowed.

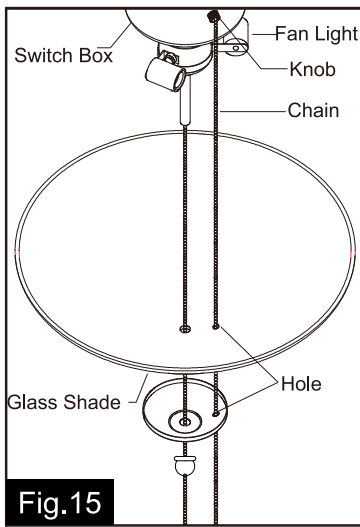


Fig. 15

- \*\*\* Remove the finial, end cap, hex nut, metal pad and rubber pad from fan light kit first.
- \*\*\* Adjust the glass shade and cap direction, make sure that the hole of glass shade and the knob of the switch box are lined up perpendicularly.
- \*\*\* Adjust the fan light direction, make sure that the chain does not touch the sockets or light bulbs.

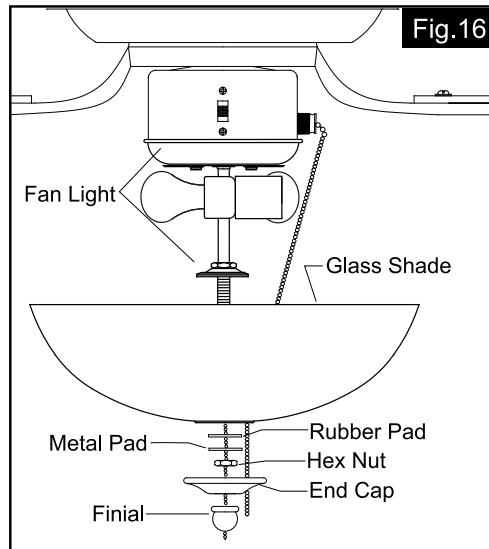


Fig. 16

Install the threaded pipe through the glass shade, rubber pad and metal pad and secure with hex nut. Then attach the end cap to the glass shade and secure it with finial. Take care to align the holes on the glass shade and the end cap, so the pull chains pass through and move freely.

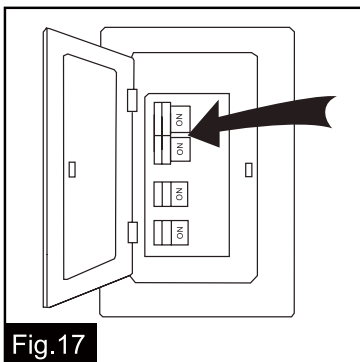


Fig. 17

Turn ON the electric circuit at the main fuse or circuit breaker box.

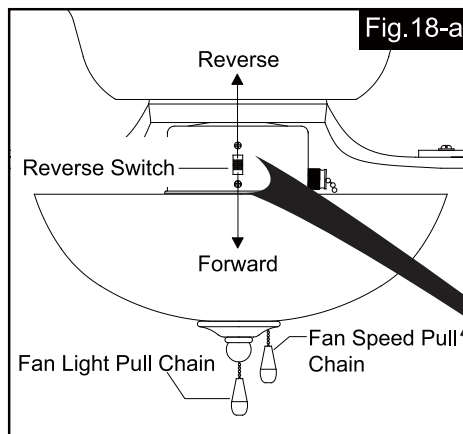


Fig. 18-a

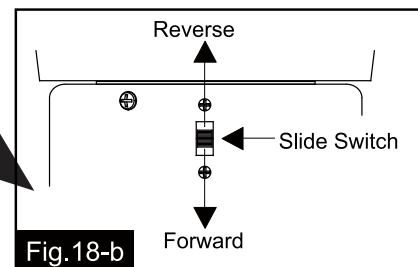


Fig. 18-b

The slide switch on switch box sets direction of fan rotation. Select the desired direction of fan rotation. Push the slide switch down for "Forward" and up for "Reverse".  
**Note: Wait for fan to stop before reversing the direction of blade rotation.**  
 Install two pull chains and drops onto the pull chains located in the switch box and light kit. The pull chain controls the fan speed as follows:  
 1 pull – High, 2 pull – Medium, 3 pull – Low, and 4 pull – Off. To turn the light kit "ON" or "OFF", pull the chain that is attached to the light kit.

- CAUTION: 1. If you install a Remote Control or a Wall Control for this fan, make sure to use the pull chains to select the "high" position for the fan speed and the "on" position for the fan light.**
- 2. Compatible Wall Switches: Menards SKU# 363-2615 / 363-5815.**



## Troubleshooting Guide

If you have difficulty operating your new ceiling fan, it may be the result of incorrect assembly, installation or wiring. If you experience any faults, please check this Troubleshooting Guide. If a problem cannot be remedied or you are experiencing difficulty in installation, please call our Customer Service Department (1-800-887-6326).

PROBLEM	SUGGESTED REMEDY
1. If fan does not start:	<ol style="list-style-type: none"><li>1. Check main and branch circuit fuses or circuit breakers.</li><li>2. Make sure forward/reverse switch is firmly in bottom or top position. Fan will not operate when switch is in the middle.</li><li>3. Make sure that the wall control is turned "ON".</li><li>4. Check line wire connections to fan and switch wire connections in switch box. <b>CAUTION: Make sure main power is turned off.</b></li></ol>
2. If fan sounds noisy:	<ol style="list-style-type: none"><li>1. Make sure all screws in motor housing are snug. (not over tightened)</li><li>2. Make sure the screws which attach the fan blade bracket to the motor are tight.</li><li>3. Make sure wire connectors in switch box are not rattling against each other or against the interior wall of the switch box. <b>CAUTION: Make sure main power is turned off before entering switch box.</b></li><li>4. If using an optional ceiling fan light kit, make sure the screws securing the glassware are finger tight. Make sure light bulb is tight in socket and not touching glass shade(s). If vibration persists from glass, remove glass and install a 1/4 in. wide rubber band on glass neck to act as an insulator. Replace glass and tighten screws against rubber band.</li><li>5. Some fan motors are sensitive to signals from Solid State variable speed controls. DO NOT USE a Solid State variable speed control.</li><li>6. Allow "break-in" period of 24 hours. Most noises associated with a new fan will disappear after this period.</li></ol>
3. If fan wobbles:	<p>All blades are weighed and grouped by weight. Natural woods vary in density which could cause the fan to wobble even though all blades are weight-matched. The following procedures should eliminate most of the wobble. Check for wobble after each step.</p> <ol style="list-style-type: none"><li>1. Check that all blades are screwed firmly into blade holders.</li><li>2. Check that all blade holders are tightened securely to motor.</li><li>3. Make sure that canopy and mounting plate are tightened securely to ceiling junction box and junction box is mounted firmly to ceiling joist.</li><li>4. Most wobble problems of fan are caused when blades are not in equal level. To check the blade levels, select a point on the ceiling above the tip of any blade. Measure the distance from the ceiling to the blade tip, to an accuracy of 1/8 inch. Rotate the blades until the next blade is in the measuring position. Repeat measurement for each blade. If all blade levels are not equal, you can adjust blade levels by the following procedure. To adjust a blade tip down, insert a washer (not supplied) between the blade and blade bracket at the screw closest to the motor. To adjust a blade tip up, insert washer (not supplied) between the blade and blade bracket at the two screws farthest from the motor.</li><li>5. Interchanging two adjacent blades could redistribute the weight and possibly result in smoother operation.</li></ol>
4. If light does not work:	<ol style="list-style-type: none"><li>1. Check blue wire from fan to make sure it is connected to hot wire from supply wire coming out of the ceiling.</li><li>2. Check for loose or disconnected wires in fan switch box.</li><li>3. Check for loose or disconnected wires in light kit.</li><li>4. Check for faulty light bulbs. <b>CAUTION: Make sure main circuit is turned off before entering switch box.</b></li></ol>