

Instructions Manual

SHW800B

INDEX

RECOMMENDATIONS AND SUGGESTIONS	3
CHARACTERISTICS	4
INSTALLATION.....	6
USE	9
MAINTENANCE	11

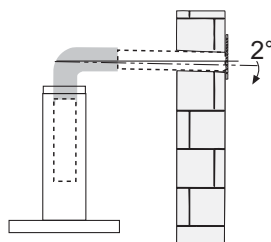
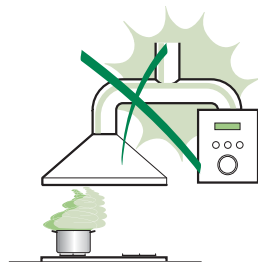


RECOMMENDATIONS AND SUGGESTIONS

△ The Instructions for Use apply to several versions of this appliance. Accordingly, you may find descriptions of individual features that do not apply to your specific appliance.

INSTALLATION

- The manufacturer will not be held liable for any damages resulting from incorrect or improper installation.
- The minimum safety distance between the cooker top and the extractor hood is 650 mm (some models can be installed at a lower height, please refer to the paragraphs on working dimensions and installation).
- Check that the mains voltage corresponds to that indicated on the rating plate fixed to the inside of the hood.
- For Class I appliances, check that the domestic power supply guarantees adequate earthing. Connect the extractor to the exhaust flue through a pipe of minimum diameter 120 mm. The route of the flue must be as short as possible.
- Do not connect the extractor hood to exhaust ducts carrying combustion fumes (boilers, fireplaces, etc.).
- If the extractor is used in conjunction with non-electrical appliances (e.g. gas burning appliances), a sufficient degree of aeration must be guaranteed in the room in order to prevent the backflow of exhaust gas. The kitchen must have an opening communicating directly with the open air in order to guarantee the entry of clean air. When the cooker hood is used in conjunction with appliances supplied with energy other than electric, the negative pressure in the room must not exceed 0,04 mbar to prevent fumes being drawn back into the room by the cooker hood.
- In the event of damage to the power cable, it must be replaced by the manufacturer or by the technical service department, in order to prevent any risks.
WARNING: Failure to install the screws or fixing device in accordance with these instructions may result in electrical hazards.

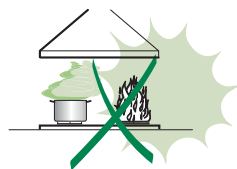



USE

- The extractor hood has been designed exclusively for domestic use to eliminate kitchen smells.
- Never use the hood for purposes other than for which it has been designed.
- Never leave high naked flames under the hood when it is in operation.
- Adjust the flame intensity to direct it onto the bottom of the pan only, making sure that it does not engulf the sides.
- Deep fat fryers must be continuously monitored during use: overheated oil can burst into flames.
- Do not flambé under the range hood: risk of fire
- This appliance is not intended for use by persons (including children) with reduced physical, sensory or mental capabilities, or lack of experience and knowledge, unless they have been given supervision or instruction concerning use of the appliance by a person responsible for their safety.
- Children should be supervised to ensure that they do not play with the appliance.
- *WARNING: Accessible parts may become hot when used with cooking appliances.*

MAINTENANCE

- Switch off or unplug the appliance from the mains supply before carrying out any maintenance work.
- Clean and/or replace the Filters after the specified time period (Fire hazard).
- Clean the hood using a damp cloth and a neutral liquid detergent.



The symbol  on the product or on its packaging indicates that this product may not be treated as household waste. Instead it shall be handed over to the applicable collection point for the recycling of electrical and electronic equipment. By ensuring this product is disposed of correctly, you will help prevent potential negative consequences for the environment and human health, which could otherwise be caused by inappropriate waste handling of this product. For more detailed information about recycling of this product, please contact your local city office, your household waste disposal service or the shop where you purchased the product.

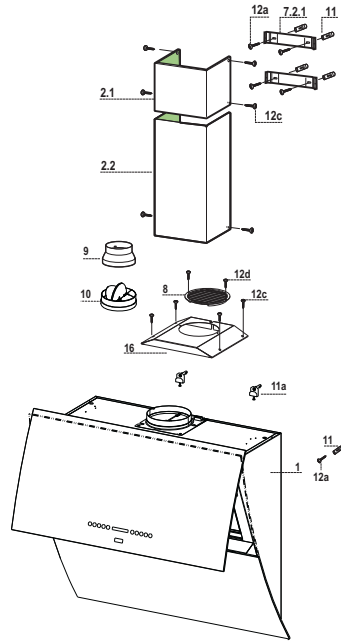
CHARACTERISTICS

Components

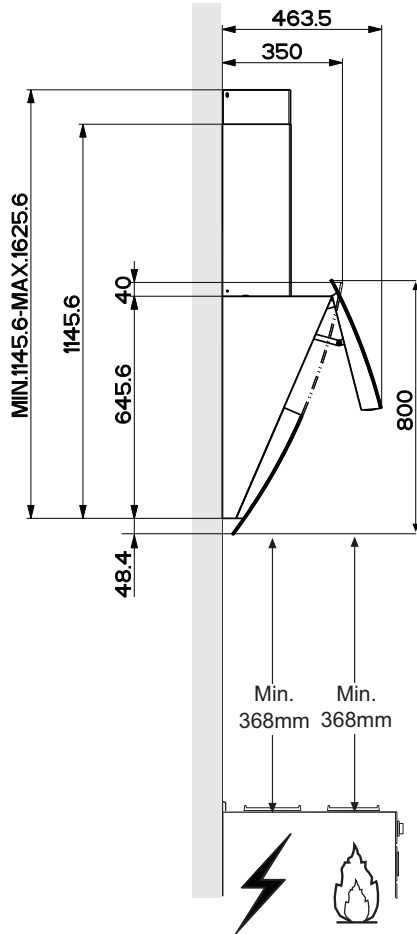
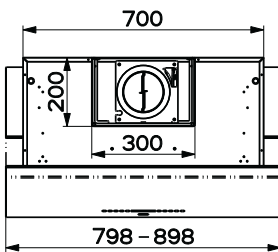
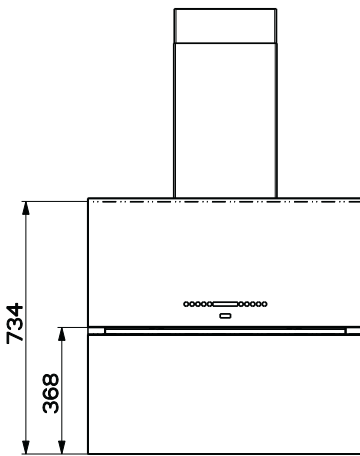
Ref.	Q.ty	Product components
1	1	Cooker hood with control unit, lights, blower unit, filters
2.1	1	Upper chimney
2.2	1	Lower chimney
8	1	Air outlet grid
9	1	Reducer flange Ø 150-120
10	1	Damper
16	1	Cover for recycling version

Ref.	Q.ty	Installation components
7.2.1	2	Fixing brackets for upper chimney
11	5	Plugs
11a	2	Plugs SB 12/10
12a	5	Screws 4,2 x 44,4
12c	10	Screws 2,9 x 6,5
12e	2	Screws 2,9 x 9,5

Q.ty	Documentation
1	Instruction booklet

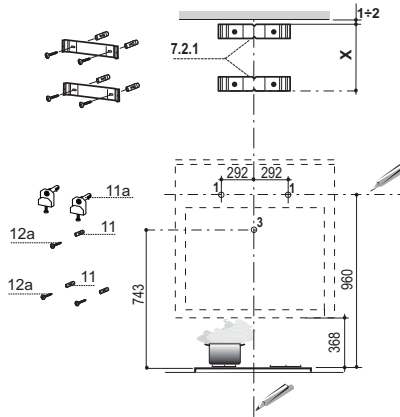


Dimensions



INSTALLATION

Wall drilling and bracket fixing



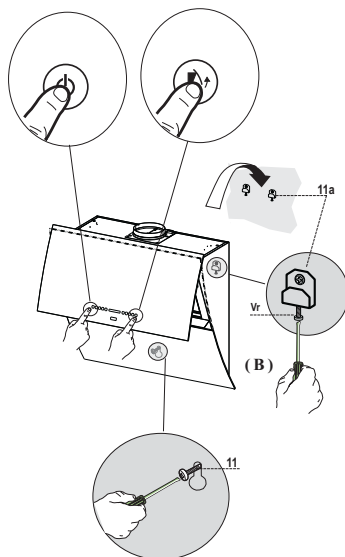
As a first step, proceed with the following drawings:

- a vertical line up to the ceiling or up to the upper limit, at the centre of the area in which the hood is to be fitted;
- a horizontal line at a minimum 960 mm above the cooker top.
- Mark a point **(1)** on the horizontal line, 292 mm to the right of the vertical reference line.
- Repeat this operation on the other side, checking that the two marks are levelled.
- Mark a reference point **(3)** at 743 mm above the cooker top on the vertical reference line.
- Drill at the marked points **(1)**, using a \varnothing 12 mm drill bit.
- Drill at the marked point **(3)**, using a \varnothing 8 mm drill bit.
- Insert the bracket plugs **11a** into the holes **(1)** and tighten the screws.
- Insert plug **11** into hole **(3)**.
- Place bracket **7.2.1** on the wall, about 1-2 mm from the ceiling or from the upper limit, aligning the centre (notch) with the vertical reference line.
- Mark the wall at the centres of the bracket holes.
- Place the bracket **7.2.1** on the wall at X mm below the first bracket (X = height of the upper chimney section), aligning the centre (notch) with the vertical line.
- Mark the wall at the centres of the bracket holes.
- Drill \varnothing 8 mm holes at all the marked centre points.
- Insert the wall plugs **11** in the holes.
- Fix the brackets using the **12a** screws (4,2 x 44,4) supplied with the hood.

Hood body mounting

- Firstly, it is necessary to adjust the two **Vr**-screws of the **11a**-brackets, at minimum **(B)**.
- Hang the hood body on the two brackets **11a**.
- Connect the hood to the mains supply by means of a bipolar switch with at least 3 mm contact gap.
- Press the “**A**”-key for one second (see Part USE) to open the upper panel.
- Remove the metal filters.
- In order to align the hood it is necessary to adjust the **Vr**-screws from inside the hood.
- Fasten the safety screw **11**.
- Fit again the metal filters into their seats and close the upper panel by pressing “**L**”-key for one second (see Part USE).
- Disconnect the hood from the mains supply.

Attention: the upper panel stops if any barrier occurs in its way during the panel opening or closing. To open the panel it is enough to remove the barrier and press the key once again.



Connections

DUCTED VERSION AIR EXHAUST SYSTEM

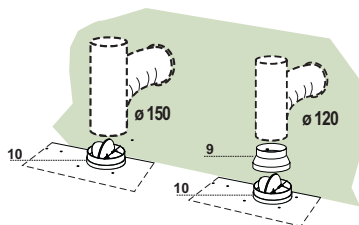
When installing the ducted version, connect the hood to the chimney using either a flexible or rigid pipe \varnothing 150 or 120mm, the choice of which is left to the installer.

To install a \varnothing 150 pipe

- To install the dumper **10**
- Fix the pipe in position using sufficient pipe clamps (not supplied).

To install a \varnothing 120 pipe

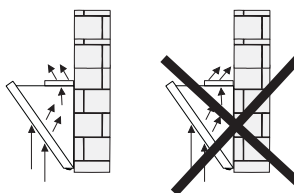
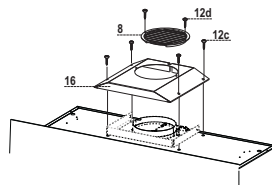
- To install a \varnothing 120 mm air exhaust connection, insert the reducer flange **9** on the dumper **10**.
- Fix the pipe in position using sufficient pipe clamps (not supplied).
- Remove any activated charcoal filters.



RECYCLING VERSION AIR OUTLET

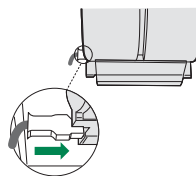
To install the hood in recycling version, the optional charcoal filter kit must be purchased.

- Remove the chimney angle bracket.
- Screw the filter cover onto the air outlet, using four screws **12c** (2,9 x 12,5).
- Fix the air outlet grid **8** on the recirculation air outlet using the 2 screws **12d** (2,9 x 9,5) provided.



ELECTRICAL CONNECTION

- Connect the hood to the mains supply.
- Open the upper panel by pressing the **A**-key (See Part “USE”) for at least 2 seconds.
- Remove the metal filters (See Part “MAINTENANCE”) and make sure that the connector piece of the supply cable is correctly inside the hood socket.



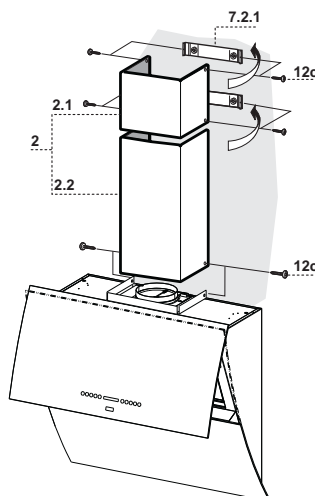
Chimney assembly

Upper exhaust Chimney

- Slightly widen the two sides of the upper chimney and hook them behind the brackets **7.2.1**, making sure that they are well seated.
- Secure the sides to the brackets using the 4 screws **12c** (2,9 x 9,5) supplied.

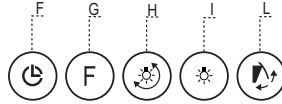
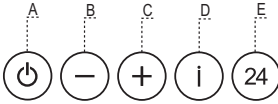
Lower exhaust Chimney

- Slightly widen the two sides of the chimney and hook them between the upper chimney and the wall, making sure that they are well seated.
- Fix the lower part laterally to the hood body using the 2 screws **12c** (2,9 x 9,5) supplied.



USE

Control panel



Button	Function	Display
A	Door Closed: Press and hold for approximately 2 Seconds to open the door and turn the motor on at the last speed set. Door Open: Press briefly to turn the motor Off or On.	Displays the set speed.
B	Decrease the working speed.	The number of lighted segments decreases.
C	Increase the working speed.	The number of lighted segments increases.
D	Can only be activated with Door Open. This speed is timed to run for 10 minutes. At the end of this time the system will automatically return to the speed set before. Suitable to deal with maximum levels of cooking fumes.	The indicator I flashes and all the segments on the Display are lit. It is disabled by pressing the Button.
E	Can only be activated with Door Open. Starts the Motor at a speed that allows suction of 100 m3/h. Cannot be activated if Intensive or Delay are active.	Displays 24 and the segments on the Display all light up and then turn off one at a time in cycle. It is disabled by pressing the Button.
F	Can be activated with motor on (except for intensive and 24 mode). Activates automatic shutdown of the Motor and the Lighting with a 30' delay.	Displays a flashing Clock symbol. It is disabled by pressing the Button.
G	Performs a Reset of the Filter saturation alarm when the button is pressed for approximately 3 seconds when all the users (motor + lights) are turned off.	After 100 hours in operation the Drop symbol is displayed to indicate saturation of the Metal Grease Filters. After 200 hours in operation the letter C is displayed to indicate saturation of the Activated Charcoal filters.
H	Modifies the intensity of the Lighting each time the Button is pressed, in cycle.	
I	Door Closed: When pressed and held for approximately 2 seconds opens the door half way and turns the lighting on to maximum intensity. The intensity can be modified using button H . - When the button is pressed again, the lighting turns off and the door closes. - Press L for door fully open, motor at speed three and lighting on. - When button A is pressed the lights turn on and the motor operates at the first two speeds only. Door Open: Press briefly to turn the lighting On or Off.	
L	Door Closed: Press and hold for approximately 2 Seconds to open the door, turn the motor on at speed three and turn the lighting on at maximum intensity. Door Open: When pressed and held for approximately 2 seconds turns off the motor and the lighting, cancelling any function that may be active and closing the door.	

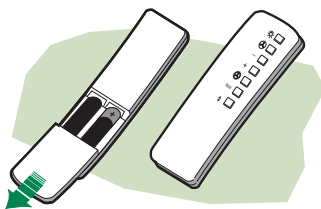
Keyboard Lock: it is possible to lock the keyboard, for example when cleaning the Glass, when the Hood has Motor and Lights turned off and when no alarms have been triggered.

Press **F** (Delay) for approximately 5 Seconds to enable or disable the Keyboard Lock, which is always confirmed by a Beep and an animation on the display motor bar.

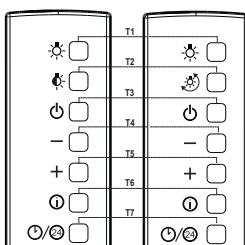
REMOTE CONTROL

The appliance can be controlled using a remote control powered by a 1.5 V carbon-zinc alkaline batteries of the standard LR03-AAA type (not included).

- Do not place the remote control near to heat sources.
- Used batteries must be disposed of in the proper manner.



Remote control (control panel)



T1	Lighting	Upper panel closed: opens the upper panel and sets the lights at the maximum intensity. Upper panel open: switches the lights on/off.
T2	Courtesy light	Sets the lights at an intermediate intensity or switches the lights off (only when the upper panel is open).
T3	Motor	Upper panel closed: opens the upper panel, switches on the motor at the latest selected speed. Upper panel open: switches the motor on/off. When pressed for about 2 Seconds : upper panel closed: opens the upper panel and switches on the motor at the third speed and the lights at the maximum intensity. Upper panel open: switches off lights and motor and closes the upper panel.
T4		Decreases the speed at every short pressure. When pressed for about 2 Seconds : decreases the intensity of lights.
T5		Increases the speed at every short pressure. When pressed for about 2 Seconds : Increases the intensity of lights.
T6		Activates/deactivates the intensive speed.
T7	Delay / 24h	Activates / deactivates the Delay-function. When pressed for 2 seconds : Activates/deactivates the 24H-function.

MAINTENANCE

Metal grease filters

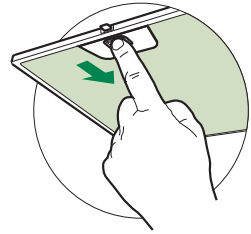
Filters can be washed in the dish machine. They need to be washed when **Drop**-sign appears on the display or in any case every 2 months, or even more frequently in case of particularly intensive use of the hood.

Alarm reset

- Press the **G**-key for at least 2 seconds.

Cleaning the filters

- Open the upper panel by pressing the **A**-key for 1 second (see Part USE).
- Remove the filters one by one pushing them towards the back side of the hood unit and simultaneously pulling downwards.
- Any kind of bending of the filters has to be avoided when washing them. Before fitting them again into the hood make sure that they are completely dry. (The colour of the filter surface may change throughout the time but this has no influence to the filter efficiency).
- When fitting the filters into the hood pay attention that they are mounted in correct position the handle facing outwards.



Charcoal filter (recycling version)

This filter cannot be washed or regenerated. It must be replaced when the **C** appears on the display or at least once every 4 months. The filter saturation alarm has to be activated already before.

Activation of the alarm signal

- In the recycling version hoods the filter saturation alarm must be activated during the installation or later.
- Switch off the hood and the lights.
- Press the **E**-key for about **5 seconds** until the last two segments of the motor LEDs are lit on the display.
- By releasing the **E**-key the clock icon starts to flash.
- Within **3 seconds** press the **D**-key to activate/deactivate charcoal filter saturation alarm.
 - **C**-symbol lit - charcoal filter saturation alarm **ACTIVATED**.
 - **C**-symbol unlit - charcoal filter saturation alarm **DEACTIVATED**.

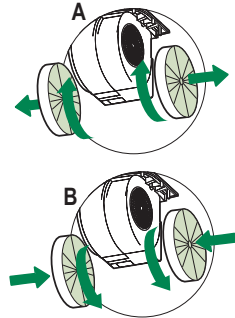
REPLACING THE CHARCOAL FILTER

Alarm reset

- Press the **G**-key for at least 2 seconds.

Replacing the filter

- Open the upper panel by pressing the **A**-key for about a second (see Part USE).
- Remove the metal filters.
- Remove the saturated charcoal filter as indicated (**A**).
- Fit the new filters as indicated (**B**).
- Put the metal grease filters in their seats.

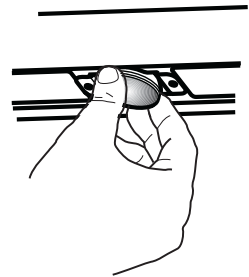


Lighting

LIGHT REPLACEMENT

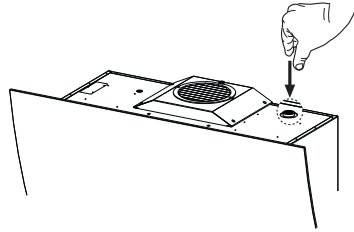
20 W halogen light.

- Extract the lamp from the lamp holder by pulling gently.
- Replace with another of the same type, making sure that the two pins are properly inserted in the lamp holder socket holes.



Replacing the fuser

- The fuser is placed up on the right side. Turn the fuser holder as indicated. Replace the fuser with one having the same features.



CE