

APP



Google Play and the Google Play logo are trademarks of Google Inc.



Apple and the Apple logo are trademarks of Apple Inc.



Download the soundcore app to switch ambient sound modes, adjust EQ settings, update firmware, and explore more.

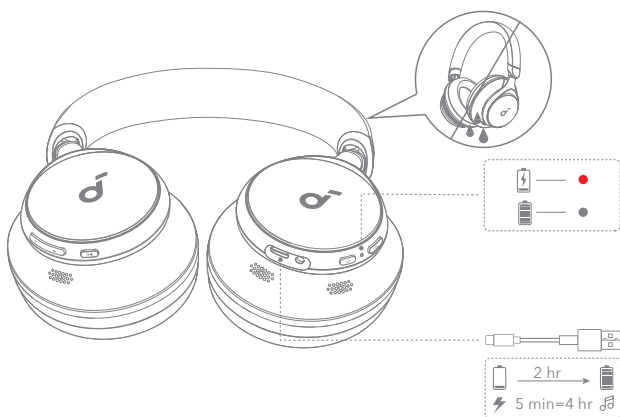
If your headphones cannot connect with the soundcore app, re-install the app or update it to the latest version in your mobile app store.

WEARING



Wear the headphones with the "L" logo on your left ear and "R" logo on your right ear. Adjust the length of the headband for a comfortable fit.

CHARGING

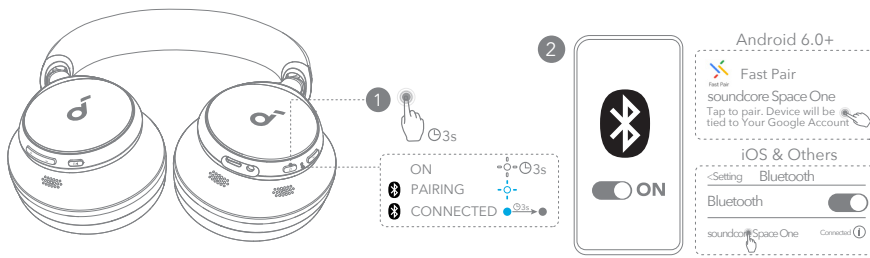


Fully dry the USB port before charging.

Do not turn on your headphones while charging.

Use a certified USB-C charging cable and charger to prevent any damage.

POWERING ON & PAIRING

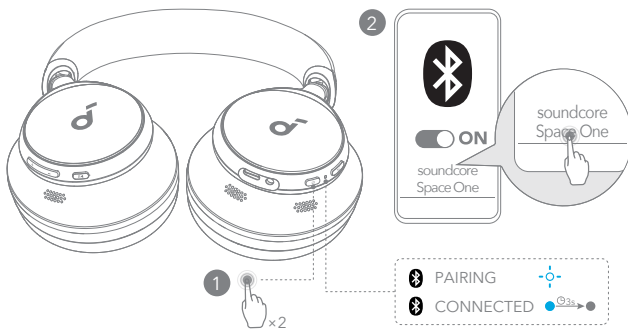


Auto Pairing: Press and hold the power button for 3 seconds to power on. The headphones will automatically enter Bluetooth pairing mode when connecting for the first time. Select "**soundcore Space One**" on your device's Bluetooth list to connect.

Google Fast Pairing: Enjoy instant pairing with your Android smartphone (running Android 6.0 and above) via Fast Pair enabled by Google.

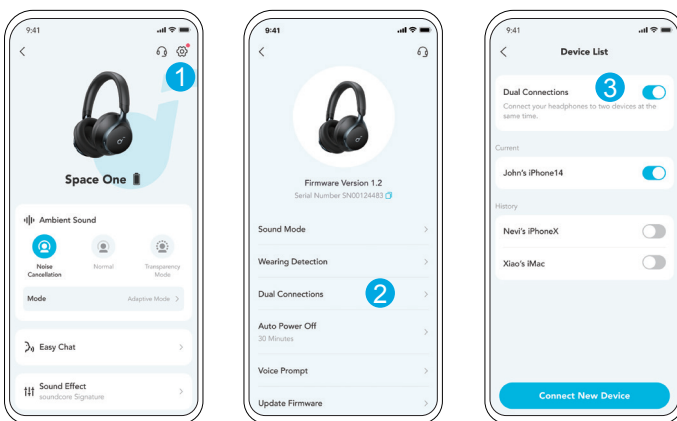
To manually enter Bluetooth pairing mode, when the headphones are powered off, press and hold the power button for 5 seconds to pair.

DUAL CONNECTIONS



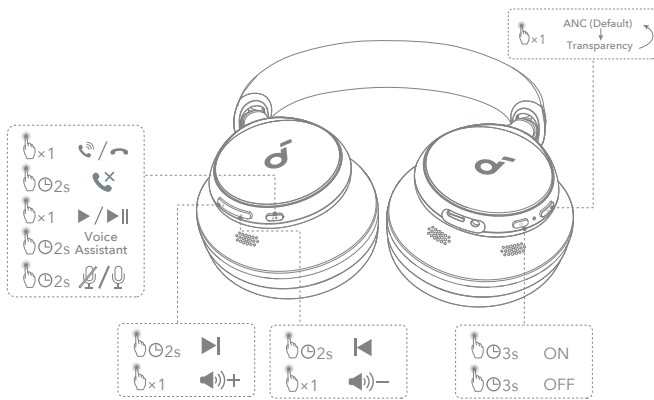
The headphones can connect with two devices at the same time.

When already connected to one device, press the power button twice to pair with another device.



In the soundcore app, go to settings and select **Dual Connections > Enable Dual Connections > Connect New Device**.

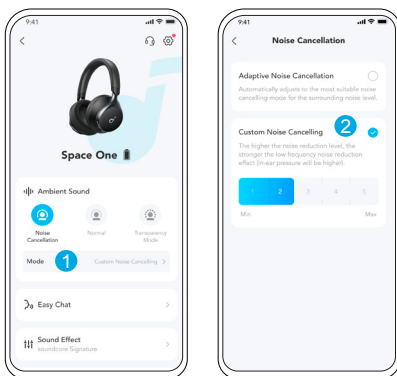
BUTTON CONTROLS



* You can enable Normal mode in the soundcore app.

	Switch ambient sound modes (ANC / Transparency)		Press once
	Power on / off		Press and hold for 3 seconds
	Play / Pause		Press once
	Next track		Press and hold for 2 seconds
	Previous track		Press and hold for 2 seconds
	Volume up / down		Press once
	Answer / End a call		Press once
	Reject a call		Press and hold for 2 seconds
	Mute / Restore the microphone		Press and hold for 2 seconds
	Activate Voice Assistant		Press and hold for 2 seconds

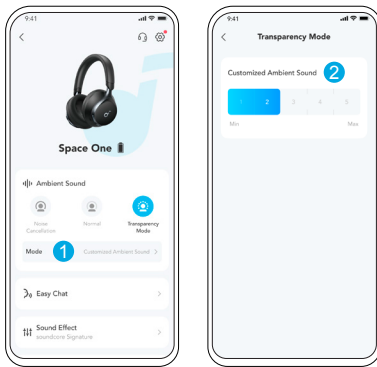
NOISE CANCELLATION



To reduce ambient noise, switch to noise cancellation (default) via the NC button and customize it in the soundcore app.

- **Adaptive Noise Cancelling:** Adjust the level of noise cancellation automatically for various scenarios.
- **Custom Noise Cancelling:** Set the level of noise cancellation manually.

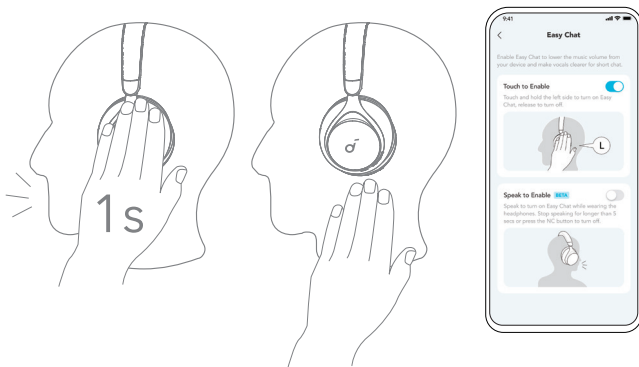
TRANSPARENCY



To stay aware of your surroundings while listening to music, switch to transparency mode via the NC button and customize it in the soundcore app.

- **Custom Transparency Mode:** Set the level of transparency manually.

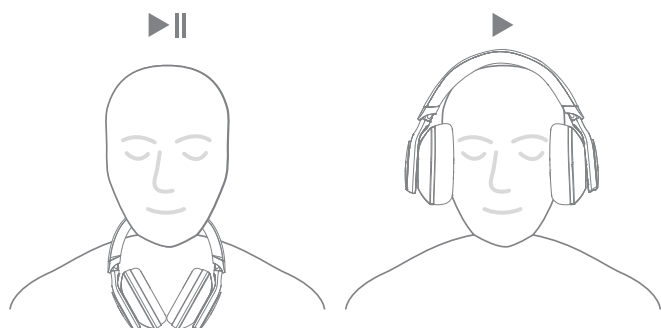
EASY CHAT



Easy Chat mode automatically lowers the volume of music and amplifies the voice of the person you're talking to so that you can communicate without taking the headphones off.

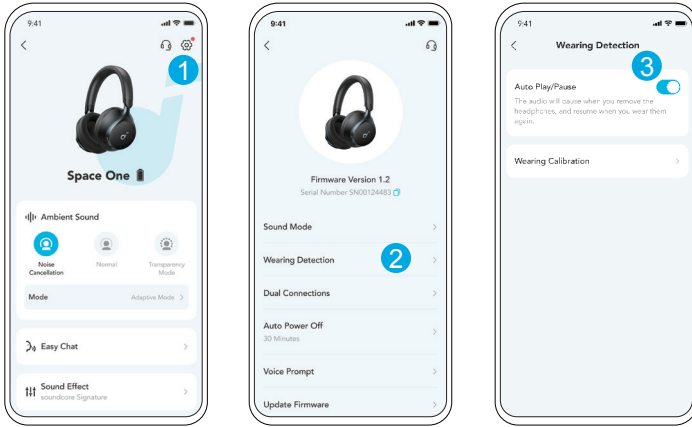
- To activate Easy Chat, hold the left panel for 1 second until you hear a notification sound. Turn off this mode by releasing your hand. (Enabled in app)
- Easy Chat will automatically turn on when you're talking, and off when you stop talking for 5 seconds. (Beta version is enabled in app)

WEARING DETECTION

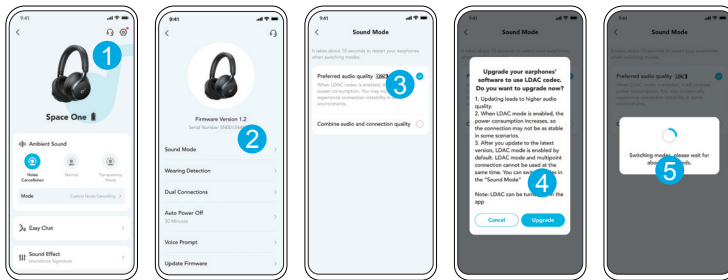


Auto-pause music playback when removing the headphones, wear them again to resume.

- * You can enable Wearing Detection in the soundcore app.



LDAC



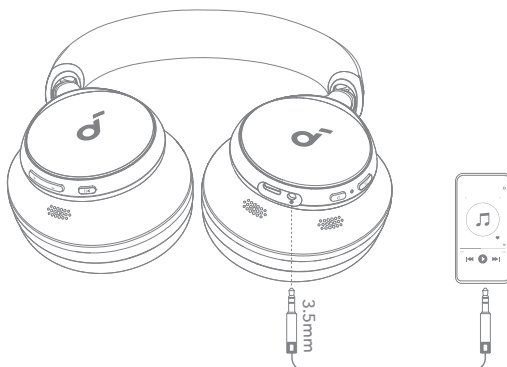
Enable LDAC in the soundcore app for higher-quality audio.

* Only available on devices powered by Android 8.0 or later.

- Use devices powered by Android 8.0 or later to experience LDAC quality sound.
- LDAC provides higher quality sound, increases power consumption, and reduces playtime.
- Enable LDAC in a low-interference environment to ensure a stable Bluetooth connection.

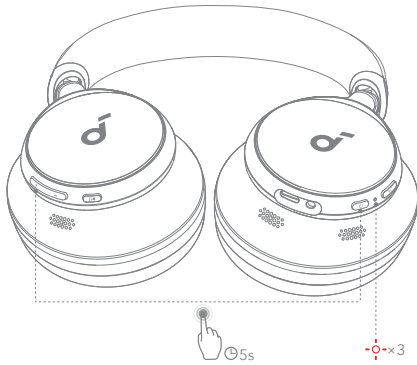
1. Go to settings in the soundcore app.
2. Click on "**Sound Mode**".
3. Select "**Preferred audio quality**" to switch to LDAC codec.
4. You will be notified that the headphones do not support LDAC when connected to two devices. Select "**Turn on**" to continue.
5. It takes about 10 seconds to switch audio codecs. You may be requested to update the headphones' firmware if available.

WIRED LISTENING



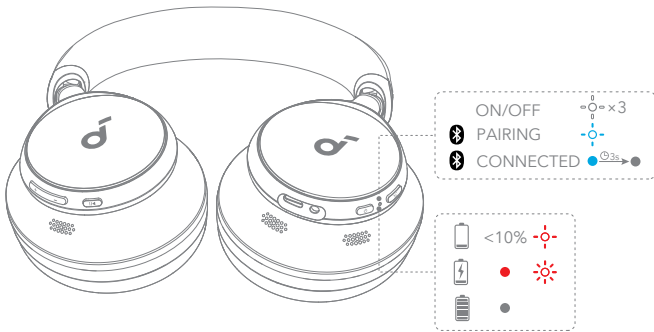
Play audio on an external device by plugging in a 3.5mm AUX cable. Wired listening will automatically turn off Bluetooth mode.

RESET



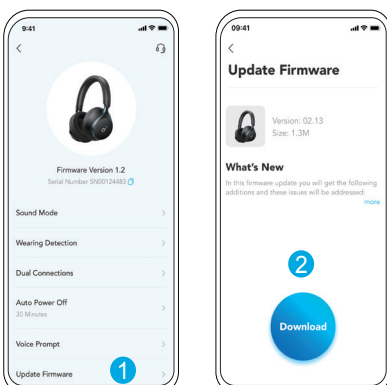
You might need to reset your headphones if you experience connectivity or function issues. Delete the pairing history from your Bluetooth device first. Press and hold the volume up and power button simultaneously for 5 seconds until the LED flashes red three times.

LED LIGHT GUIDE



	Flashing white
	Flashing red
	Flashing blue
	Steady blue
	Light off

FIRMWARE UPDATE



You will be informed once the new version of firmware is detected when you connect the headphones with the app. Ensure the headphones are powered on and connected to a device until the firmware update is complete. During the update, avoid any usage and ensure stable access to the internet.

SPECS

Specifications are subject to change without notice.

Input	5 V $\overline{\text{---}}$ 0,58 A
Rated output power	10mW
Battery capacity	580mAh
Charging time	2 hours
Playtime (with ANC off)	Up to 55 hours
Playtime (with ANC on)	Up to 40 hours
Driver size	40mm
Frequency response	20Hz - 20kHz
Impedance	16 Ω
Bluetooth version	5.3
Bluetooth range	15m / 49ft

1. Power consumption in standby mode: $\leq 0.5W$

2. Powermanagement: $\leq 20\text{min}$

3. Information of applicable adapter:

Brand: ANKER

Manufacturer: Anker Innovations Limited

Model: A2337

Input: 100-240Vac, 1A, 50-60Hz

Output: 5V $\overline{\text{---}}$ 3A / 9V $\overline{\text{---}}$ 3A / 12V $\overline{\text{---}}$ 2.5A / 15V $\overline{\text{---}}$ 2A / 20V $\overline{\text{---}}$ 1.5A (30W Max)

Default Open Port: Classic Bluetooth

Port Description: After the device is powered on, Classic Bluetooth visibility (or pairing mode) is automatically enabled, providing Bluetooth pairing (or control) services. The Bluetooth service is disabled when the device is powered off.